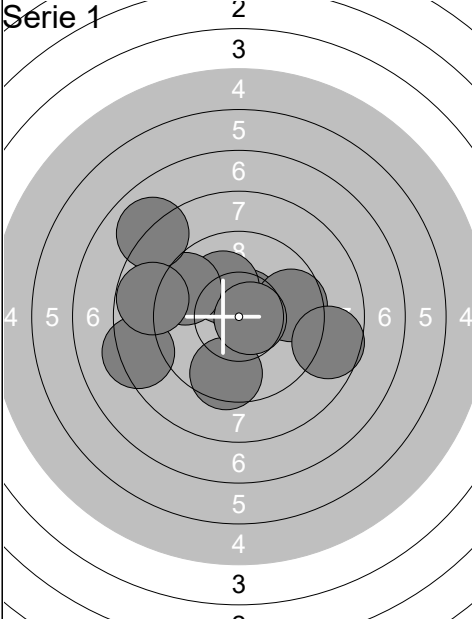
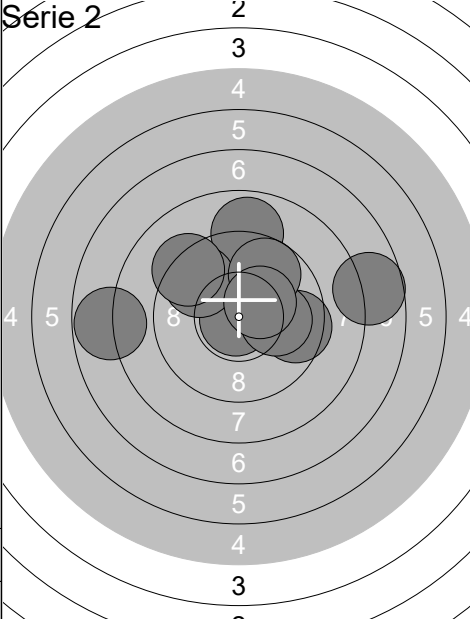
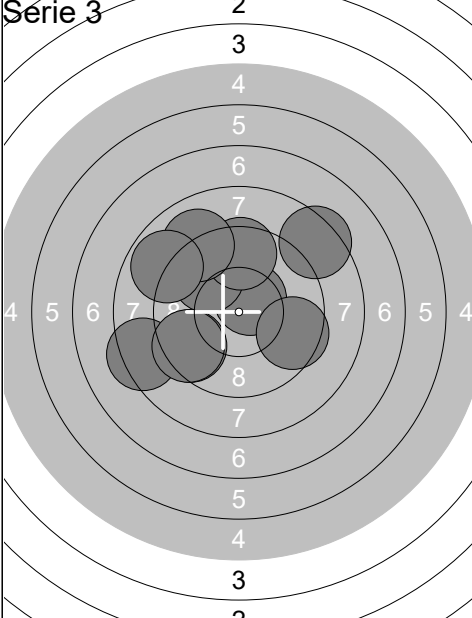
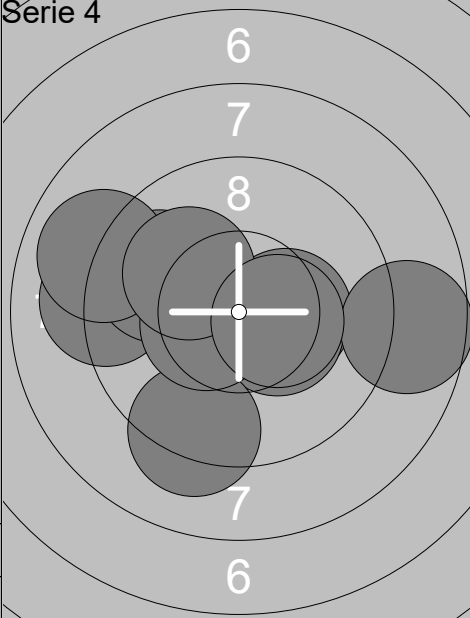
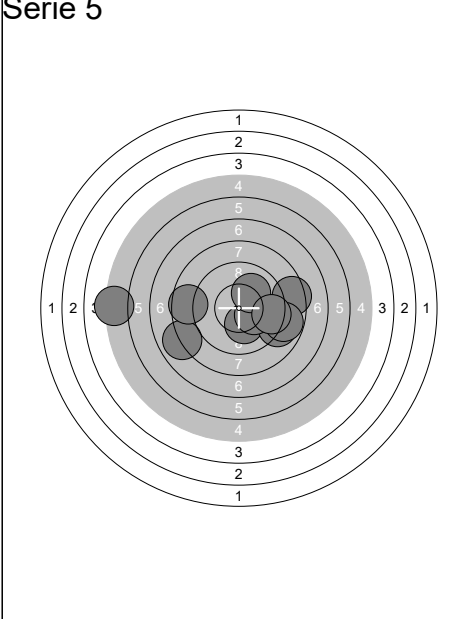
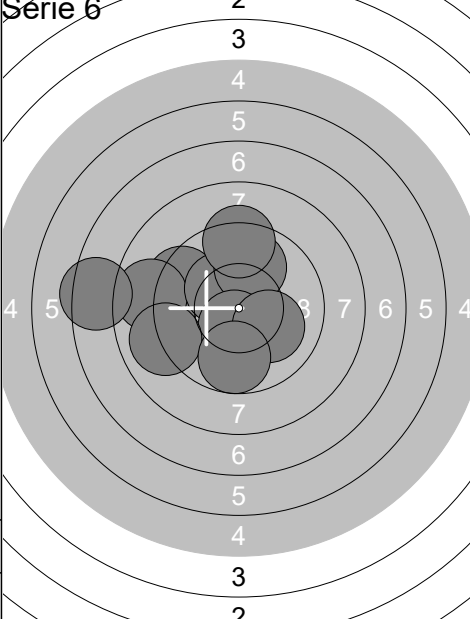
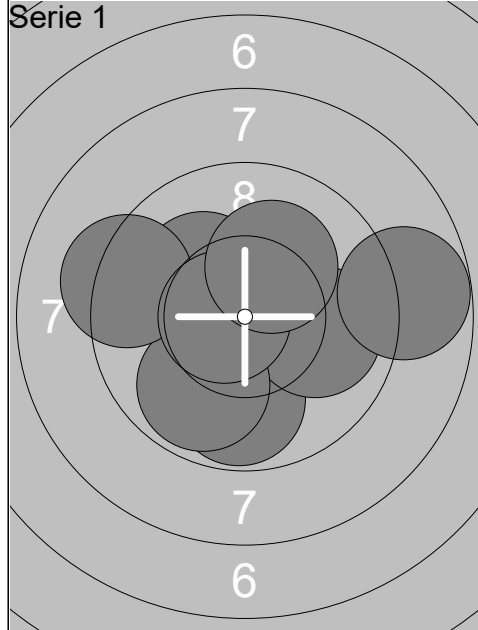
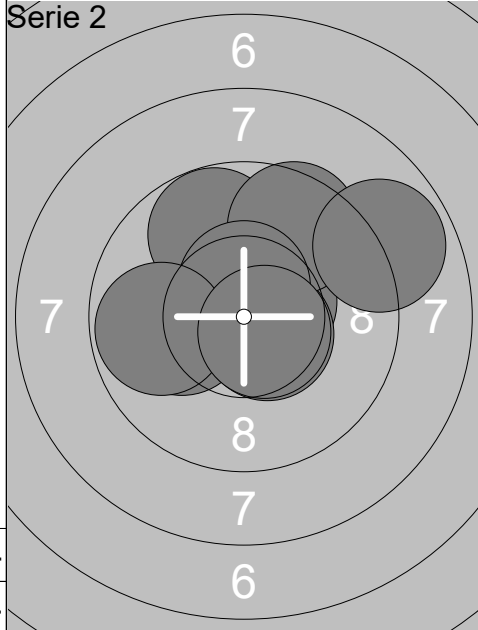


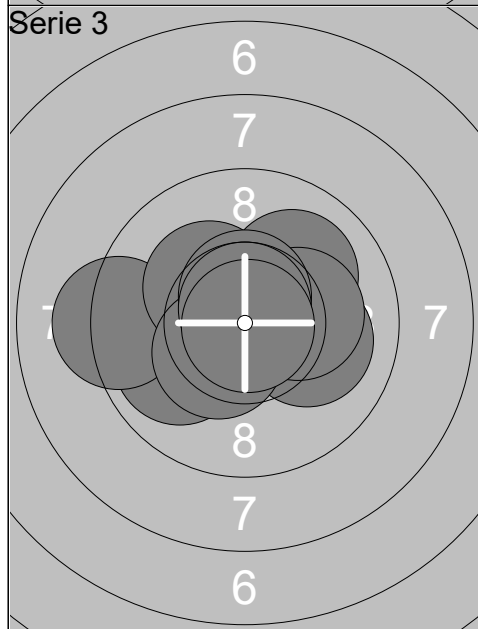
Relay	Lane	Kristoffer Kvorning	
3	9		
Day 1 Denmark Open Air		Viborg Skytte Forening	MJ
08.03.2019		Day 1 Denmark Open Air	Denmark Open Air
Série 1			1: 9.5 ↓ 2: 8.3 ← 3: 10.6x ↗ 4: 10.1 ↗ 5: 9.6 → 6: 9.4 ↖ 7: 8.0 ↗ 8: 8.6 → 9: 8.8 ← 10: 10.7x → Series 93.6 93.6
Série 2			1: 10.8x ↙ 2: 7.7 → 3: 9.5 → 4: 8.9 ↑ 5: 10.0 → 6: 9.6 ↖ 7: 7.8 ← 8: 9.7 ↗ 9: 9.2 ↖ 10: 10.3x ↗ Series 93.5 187.1
Série 3			1: 10.5x ↗ 2: 9.4 ← 3: 9.8 ↖ 4: 8.4 ← 5: 9.4 ← 6: 9.5 ↑ 7: 8.4 ↗ 8: 9.0 ↗ 9: 8.8 ↖ 10: 9.5 → Series 92.7 279.8
Série 4			1: 9.1 ← 2: 10.3x → 3: 10.4x → 4: 9.7 ← 5: 8.9 ↖ 6: 8.6 → 7: 9.2 ↓ 8: 10.5x ← 9: 10.1 ↖ 10: 10.4x → Series 97.2 377.0
Série 5			1: 8.4 → 2: 10.2x ↓ 3: 7.9 ← 4: 9.0 → 5: 10.2x → 6: 10.0 ↗ 7: 8.6 ← 8: 8.8 → 9: 9.4 → 10: 5.2 ← Series 87.7 464.7
Série 6			1: 9.4 ↖ 2: 8.8 ← 3: 10.3x ↖ 4: 7.4 ← 5: 9.9 ↑ 6: 10.5x ↓ 7: 9.3 ↑ 8: 10.1 → 9: 8.9 ← 10: 9.7 ↓ Series 94.3 559.0



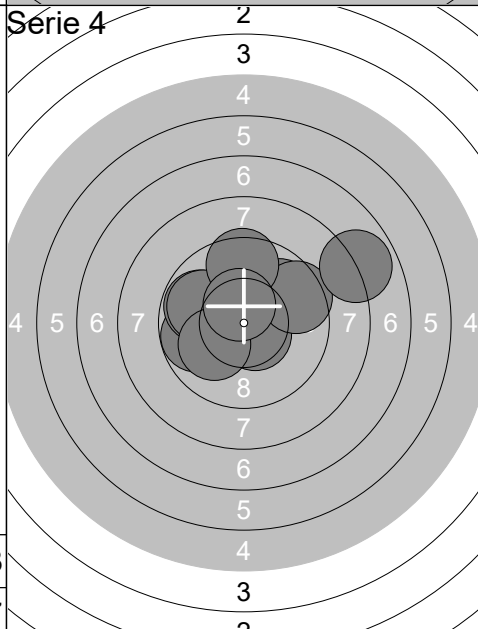
1:	10.4x	↓
2:	10.5x	↗
3:	10.2x	↖
4:	9.8	↓
5:	9.9	→
6:	9.8	↓
7:	8.8	→
8:	9.2	←
9:	10.7x	←
10:	10.1	↗
Series	99.4	
	99.4	



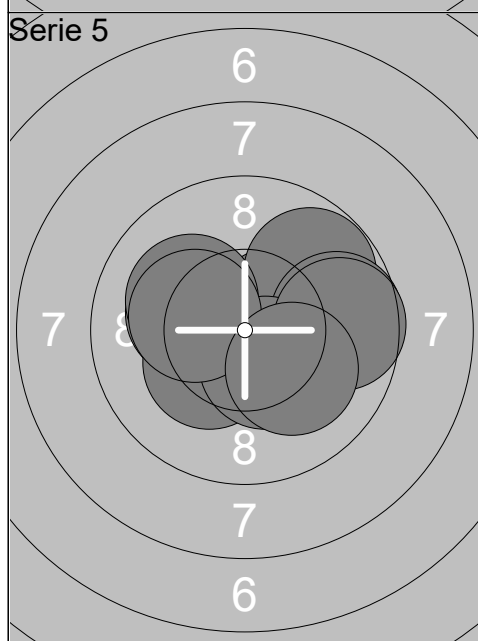
1:	10.1	←
2:	10.5x	↗
3:	10.5x	↘
4:	9.7	↗
5:	9.6	↗
6:	10.8x	↗
7:	10.5x	↑
8:	9.8	←
9:	8.9	↗
10:	10.6x	↘
Series	101.0	
	200.4	



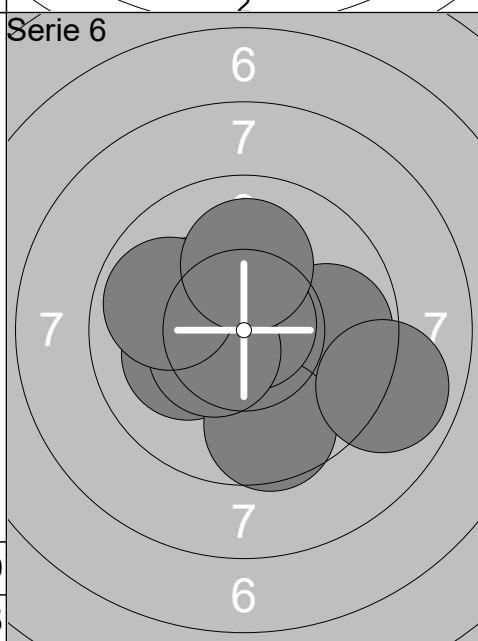
1:	9.9	←
2:	10.1	→
3:	10.0	↗
4:	9.2	←
5:	10.2x	→
6:	10.3x	↖
7:	10.4x	↘
8:	10.6x	↑
9:	10.7x	↑
10:	10.9x	↘
Series	102.3	
	302.7	



1:	9.7	←
2:	9.8	↗
3:	10.5x	↘
4:	9.8	←
5:	9.8	←
6:	9.5	↗
7:	10.0	←
8:	9.5	↑
9:	7.8	↗
10:	10.5x	↑
Series	96.9	
	399.6	

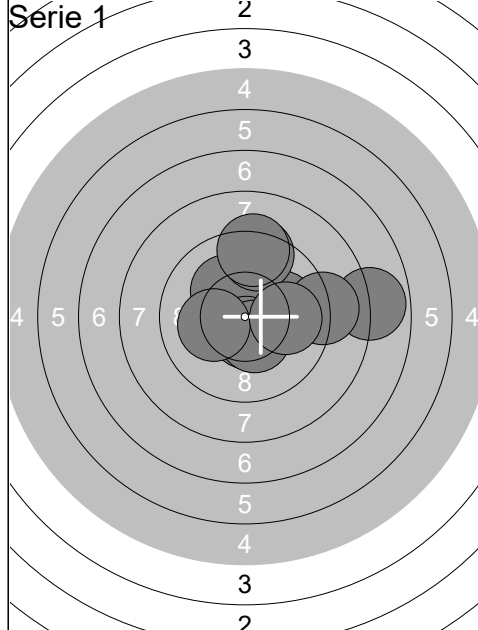


1:	10.2x	←
2:	10.4x	↗
3:	9.8	↗
4:	9.7	→
5:	10.3x	↖
6:	10.1	←
7:	10.4x	↘
8:	9.7	→
9:	10.2x	←
10:	10.1	↘
Series	100.9	
	500.5	

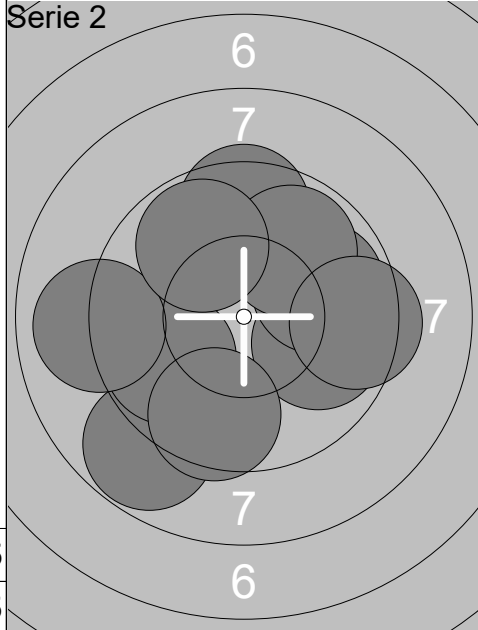


1:	10.8x	↗
2:	9.8	→
3:	10.2x	↖
4:	10.1	←
5:	9.6	↓
6:	10.8x	↗
7:	8.9	→
8:	10.4x	↖
9:	9.9	←
10:	10.0	↑
Series	100.5	
	601.0	

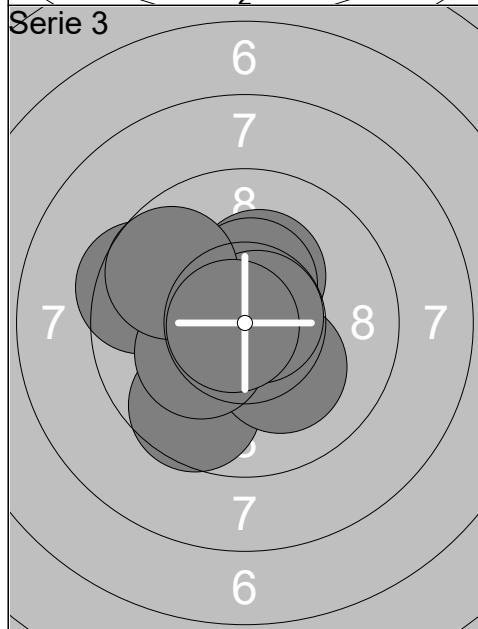
Relay	Lane	Elmer Wagner	
3	11		
Day 1 Denmark Open Air		Nykøbing Sj. Skytteforening	MJ
08.03.2019		Day 1 Denmark Open Air	Denmark Open Air
Série 1		Série 2	Série 3
		1: 8.1 ↙ 2: 9.6 ➔ 3: 9.4 ➔ 4: 8.0 ↙ 5: 10.6x ↗ 6: 10.4x ↙ 7: 8.7 ↓ 8: 7.4 ↙ 9: 10.0 ↙ 10: 6.9 ↙	1: 8.6 ↙ 2: 10.6x ➔ 3: 8.4 ↙ 4: 9.9 ↗ 5: 9.8 ↙ 6: 9.8 ↙ 7: 9.6 ↙ 8: 9.3 ↗ 9: 10.5x ↓ 10: 10.1 ↗
Series 89.1		Series 96.6	Series 96.6
89.1		185.7	185.7
Série 4		Série 5	Série 6
		1: 10.8x ➔ 2: 8.0 ↙ 3: 9.8 ↗ 4: 9.8 ↗ 5: 9.7 ↗ 6: 8.8 ↗ 7: 10.7x ↓ 8: 8.9 ↙ 9: 10.1 ↙ 10: 9.1 ↗	1: 8.6 ↙ 2: 10.5x ↙ 3: 9.0 ↓ 4: 10.2x ↓ 5: 7.4 ↙ 6: 8.9 ↓ 7: 8.7 ➔ 8: 8.7 ↙ 9: 10.7x ↗ 10: 9.7 ↙
Series 95.7		Series 92.4	Series 92.4
281.4		373.8	373.8
Série 7		Série 8	Série 9
		1: 9.9 ↙ 2: 8.2 ↙ 3: 8.9 ➔ 4: 9.4 ↗ 5: 8.7 ↓ 6: 9.4 ↓ 7: 10.3x ↙ 8: 7.8 ➔ 9: 9.4 ↙ 10: 9.8 ↙	1: 10.0 ↙ 2: 10.1 ↙ 3: 9.0 ↓ 4: 10.2x ↗ 5: 10.1 ↗ 6: 8.0 ↙ 7: 9.9 ➔ 8: 9.9 ↓ 9: 8.6 ↓ 10: 9.7 ↙
Series 91.8		Series 95.5	Series 95.5
465.6		561.1	561.1



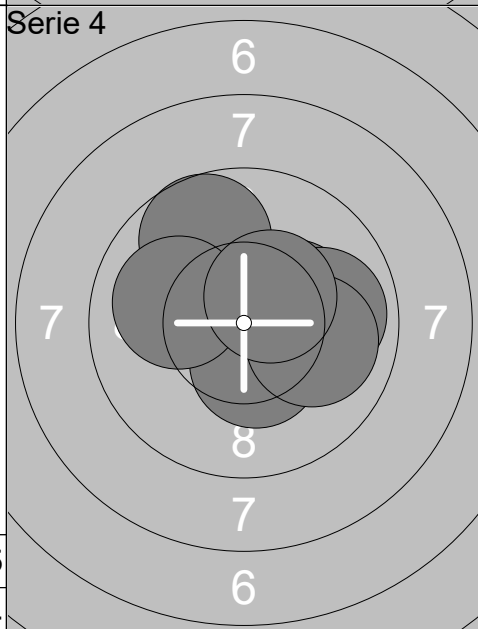
1:	7.8	→
2:	10.0	→
3:	10.1	↖
4:	9.0	→
5:	10.5x	↓
6:	9.4	↑
7:	10.4x	↘
8:	10.1	←
9:	9.3	↑
10:	9.9	→
Series	96.5	
	96.5	



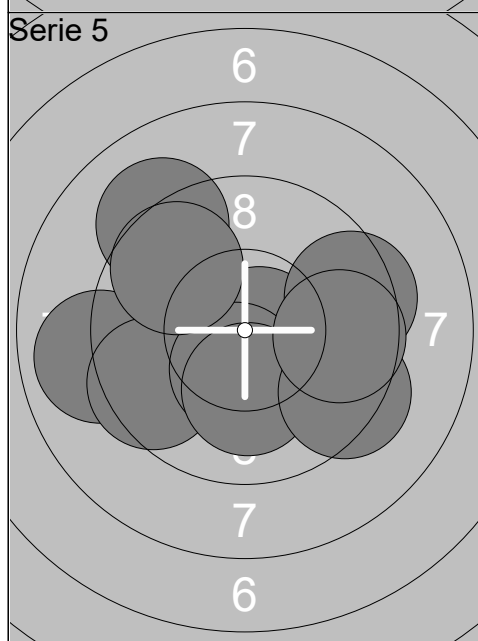
1:	9.5	↑
2:	9.9	→
3:	9.9	→
4:	8.8	↘
5:	9.8	↙
6:	8.9	←
7:	9.8	↗
8:	9.8	↖
9:	9.4	→
10:	9.6	↓
Series	95.4	
	191.9	



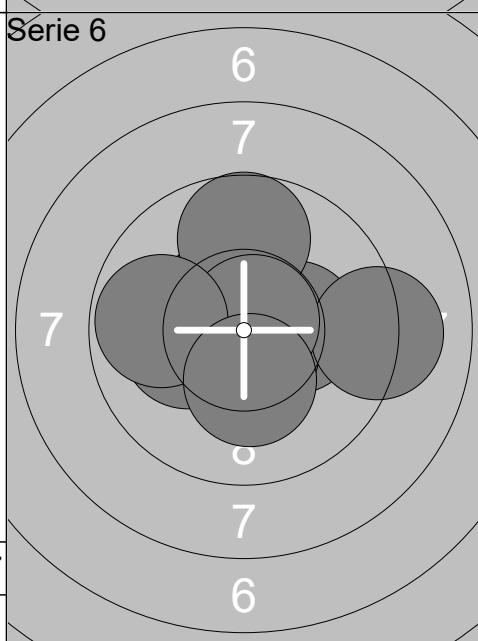
1:	10.2x	↗
2:	10.4x	↑
3:	10.2x	↙
4:	9.6	↘
5:	10.2x	↘
6:	10.8x	→
7:	9.4	←
8:	10.2x	↙
9:	9.7	↖
10:	10.8x	←
Series	101.5	
	293.4	



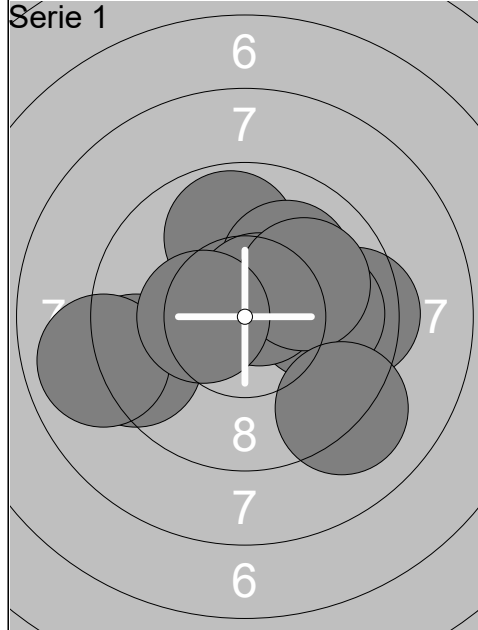
1:	10.7x	↗
2:	10.4x	↖
3:	9.7	↖
4:	10.3x	→
5:	10.4x	↓
6:	10.2x	→
7:	9.9	→
8:	10.0	←
9:	10.0	→
10:	10.4x	↗
Series	102.0	
	395.4	



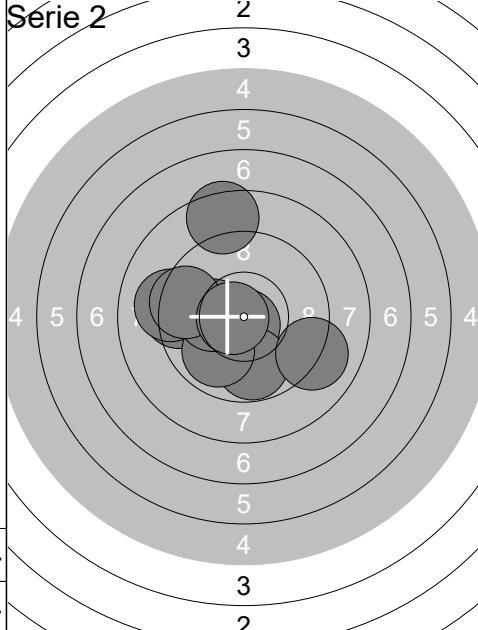
1:	8.9	←
2:	10.7x	→
3:	9.5	←
4:	10.4x	↓
5:	9.4	→
6:	10.1	↓
7:	9.1	↗
8:	9.7	↗
9:	9.3	↘
10:	9.6	→
Series	96.7	
	492.1	



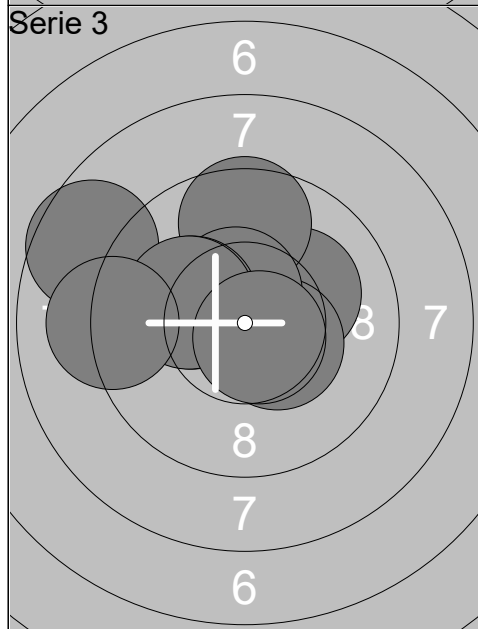
1:	10.3x	→
2:	10.1	←
3:	10.6x	↓
4:	10.7x	↓
5:	10.5x	↖
6:	9.7	↑
7:	9.1	→
8:	10.8x	↗
9:	9.8	←
10:	10.3x	↓
Series	101.9	
	594.0	



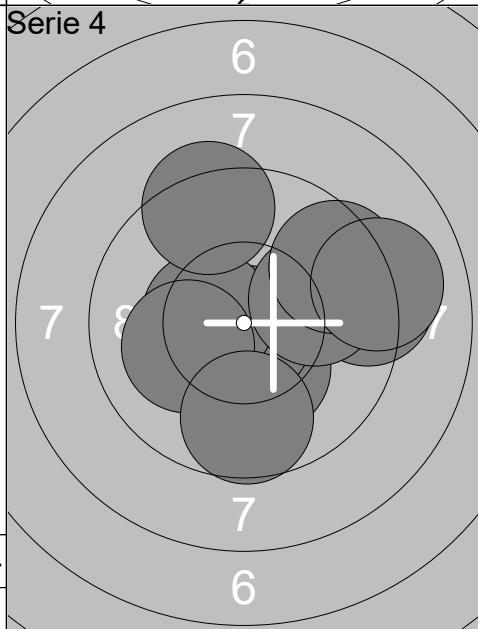
1:	9.8	↑
2:	9.4	→
3:	9.9	→
4:	10.0	↗
5:	10.6x	↗
6:	9.3	←
7:	8.9	←
8:	10.0	↗
9:	9.1	↘
10:	10.4x	←
Series	97.4	
	97.4	



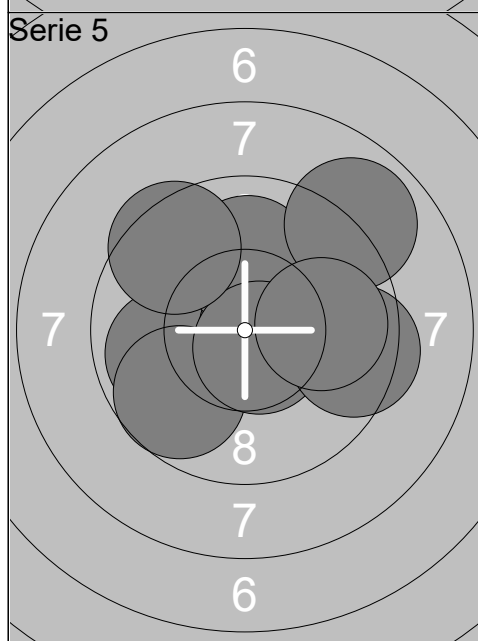
1:	10.7x	↓
2:	9.3	←
3:	9.7	↓
4:	9.9	↘
5:	9.1	←
6:	10.2x	←
7:	9.0	↘
8:	9.4	←
9:	8.4	↑
10:	10.6x	←
Series	96.3	
	193.7	



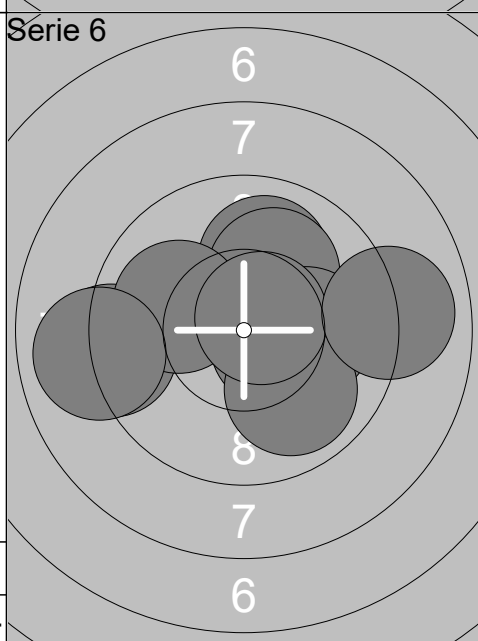
1:	10.1	↗
2:	10.4x	↘
3:	9.3	←
4:	8.6	←
5:	9.6	↑
6:	10.5x	↑
7:	10.1	←
8:	10.1	←
9:	10.6x	↘
10:	9.1	←
Series	98.4	
	292.1	



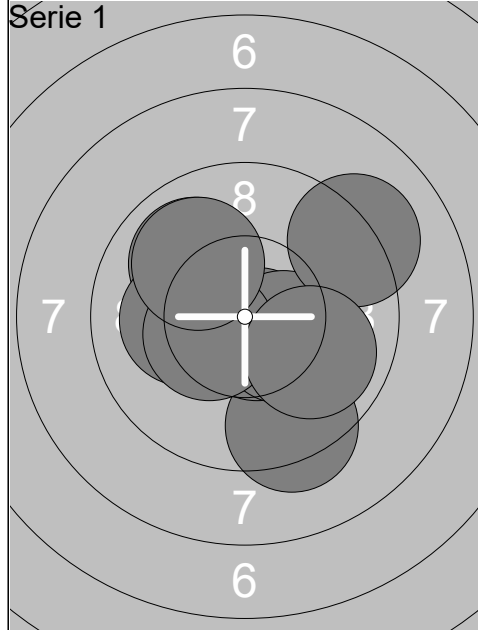
1:	10.3x	↓
2:	10.8x	↓
3:	10.4x	←
4:	9.2	→
5:	9.3	↑
6:	10.1	←
7:	9.9	→
8:	9.5	↗
9:	9.1	→
10:	9.6	↓
Series	98.2	
	390.3	



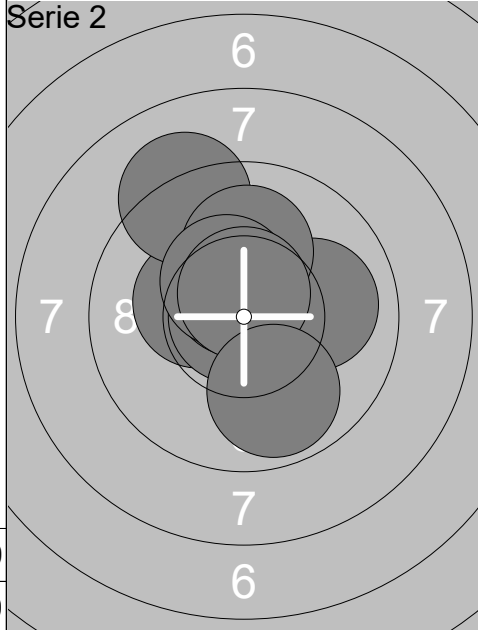
1:	10.5x	↖
2:	9.9	←
3:	10.7x	→
4:	9.7	↘
5:	10.0	↑
6:	10.6x	↘
7:	9.4	→
8:	9.5	↗
9:	8.9	↗
10:	9.9	→
Series	99.1	
	489.4	



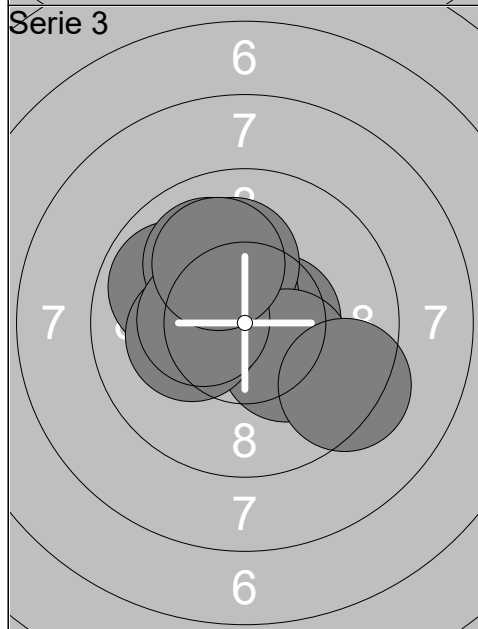
1:	10.0	↑
2:	10.1	↗
3:	10.1	→
4:	9.1	←
5:	10.0	←
6:	10.5x	↘
7:	8.9	←
8:	9.9	↘
9:	10.6x	↗
10:	8.9	→
Series	98.1	
	587.5	



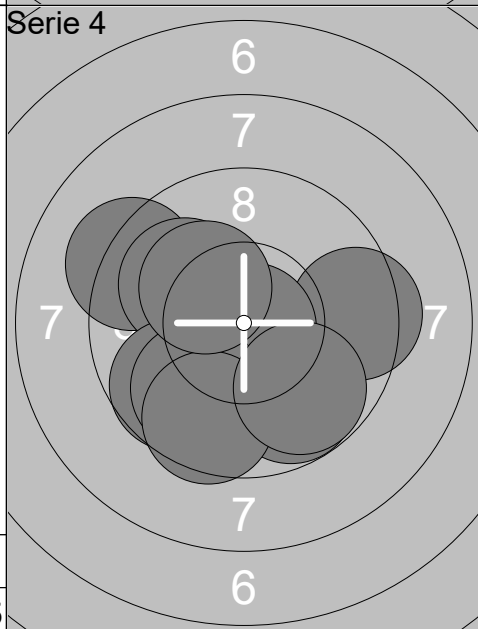
1:	9.3	↘
2:	10.7x	↘
3:	10.2x	←
4:	9.9	↗
5:	10.3x	↘
6:	10.1	←
7:	9.1	↗
8:	10.4x	↙
9:	9.9	↘
10:	10.0	↗
Series	99.9	
	99.9	



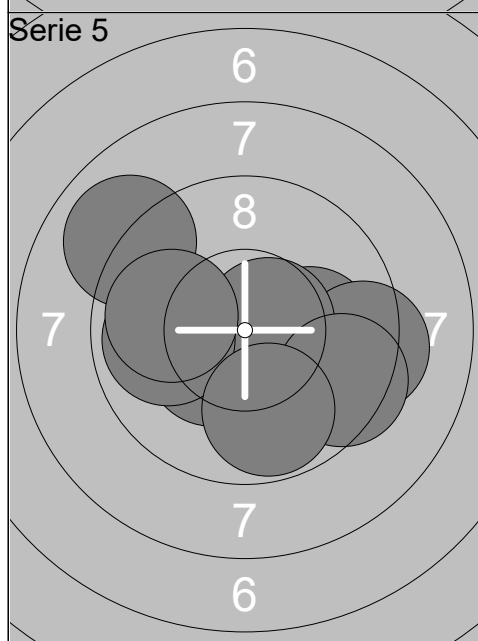
1:	10.6x	→
2:	10.3x	←
3:	10.8x	←
4:	10.6x	↑
5:	9.2	↗
6:	10.0	→
7:	10.1	↑
8:	10.4x	↗
9:	10.6x	↑
10:	9.9	↘
Series	102.5	
	202.4	



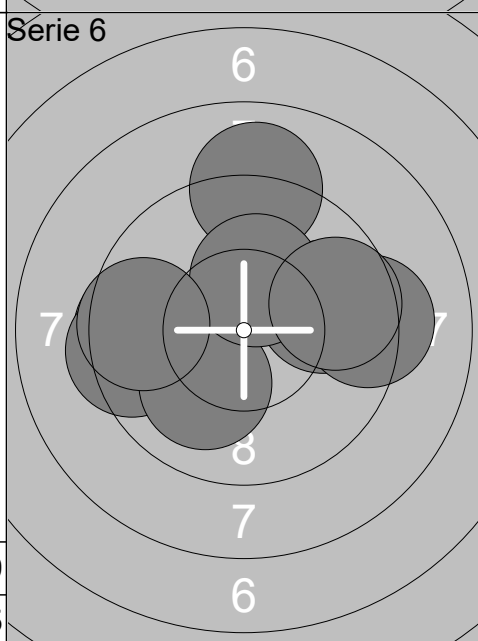
1:	10.5x	→
2:	10.6x	↗
3:	10.1	↑
4:	10.2x	↘
5:	9.8	↗
6:	10.0	↗
7:	10.2x	←
8:	9.3	↘
9:	10.4x	←
10:	10.0	↗
Series	101.1	
	303.5	



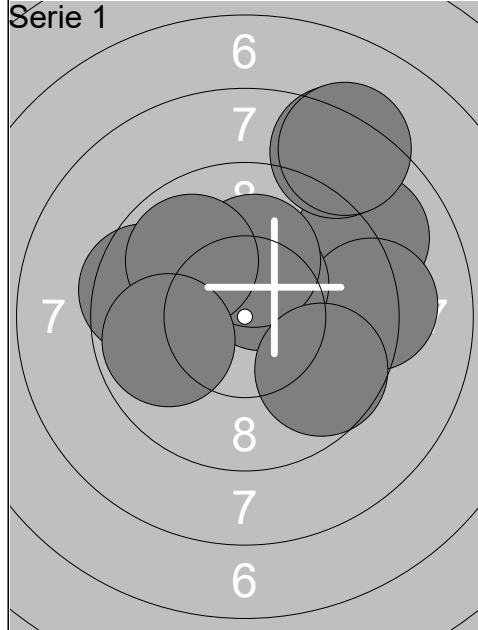
1:	9.2	←
2:	10.0	↖
3:	9.7	↙
4:	9.7	↘
5:	9.4	→
6:	10.8x	↘
7:	9.8	↙
8:	9.6	↘
9:	9.7	↘
10:	10.2x	↖
Series	98.1	
	401.6	



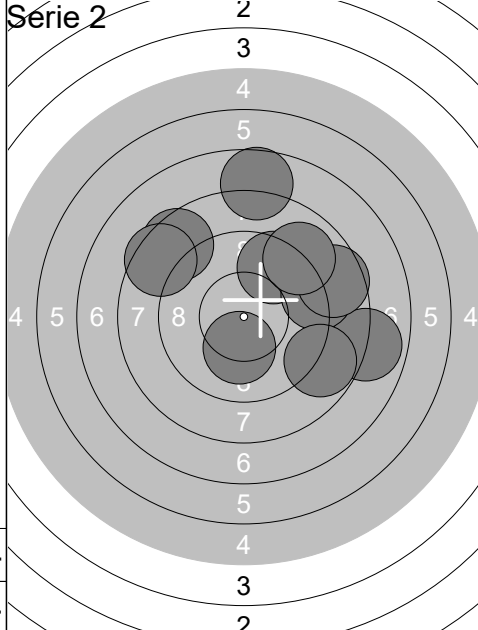
1:	10.6x	↘
2:	9.0	↖
3:	10.1	→
4:	9.3	→
5:	10.3x	↙
6:	10.6x	→
7:	9.9	←
8:	9.9	←
9:	9.4	↘
10:	9.8	↘
Series	98.9	
	500.5	



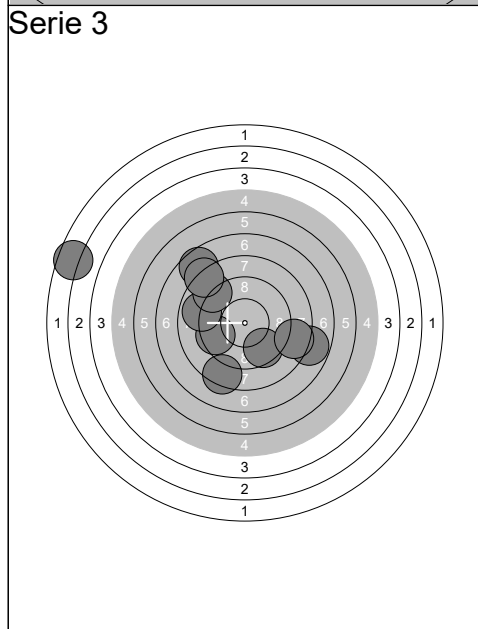
1:	9.8	→
2:	9.8	←
3:	9.5	←
4:	9.0	↑
5:	9.4	←
6:	9.3	→
7:	10.0	↙
8:	10.2x	↑
9:	9.6	←
10:	9.6	→
Series	96.2	
	596.7	



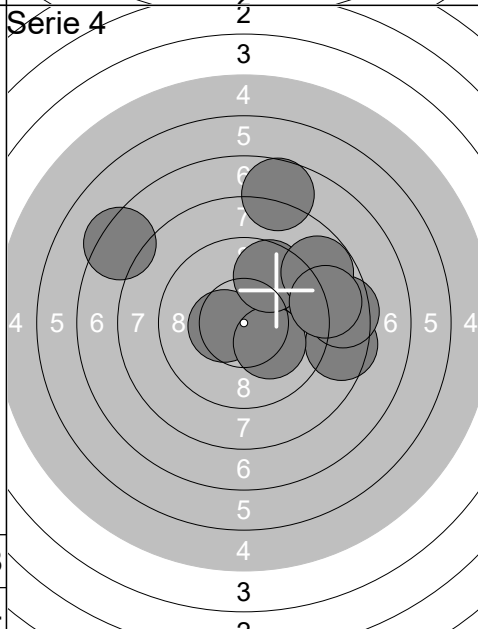
1:	9.0	↗
2:	9.2	→
3:	10.4x	↗
4:	10.2x	↑
5:	9.5	←
6:	8.4	↗
7:	8.3	↗
8:	9.9	↗
9:	9.8	←
10:	9.7	↘
Series	94.4	
	94.4	



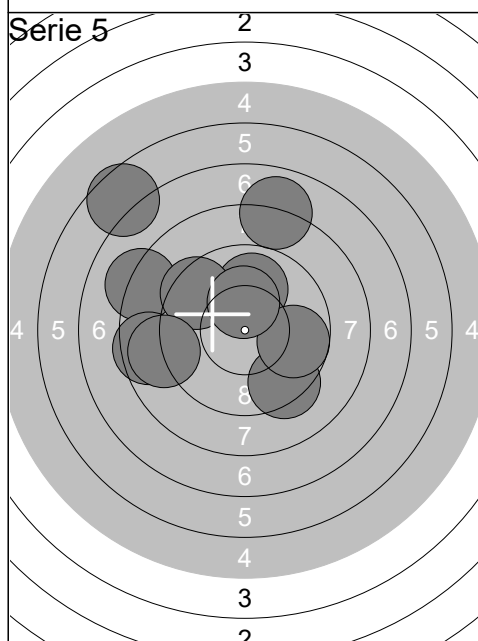
1:	7.9	→
2:	8.5	↖
3:	9.5	↗
4:	9.0	→
5:	8.5	↗
6:	8.7	↘
7:	8.9	↗
8:	10.2x	↓
9:	7.6	↑
10:	8.4	↖
Series	87.2	
	181.6	



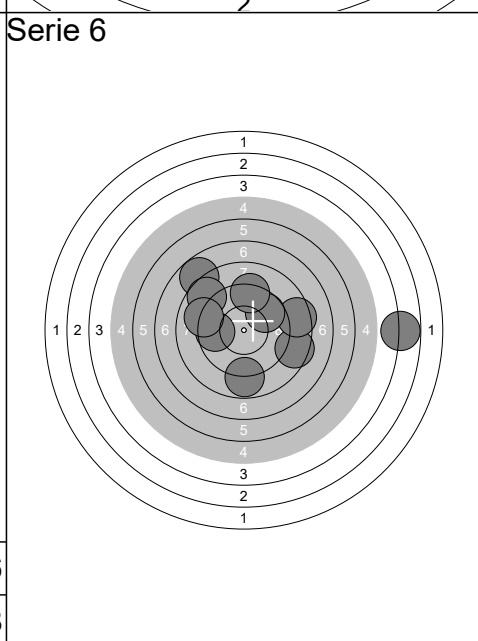
1:	9.5	←
2:	7.6	↗
3:	8.3	↘
4:	8.9	←
5:	9.5	↘
6:	8.9	↗
7:	7.8	↘
8:	8.1	↗
9:	2.6	←
10:	8.6	→
Series	79.8	
	261.4	



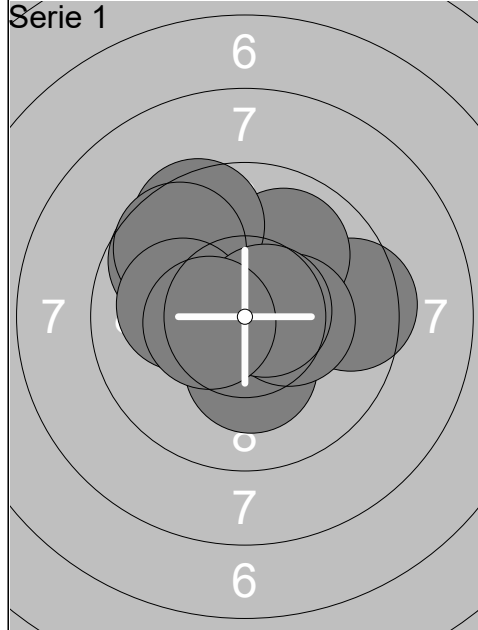
1:	7.7	↑
2:	10.4x	←
3:	8.5	→
4:	10.1	↘
5:	9.1	↗
6:	8.5	→
7:	9.6	↗
8:	8.7	↗
9:	7.3	↖
10:	8.9	→
Series	88.8	
	350.2	



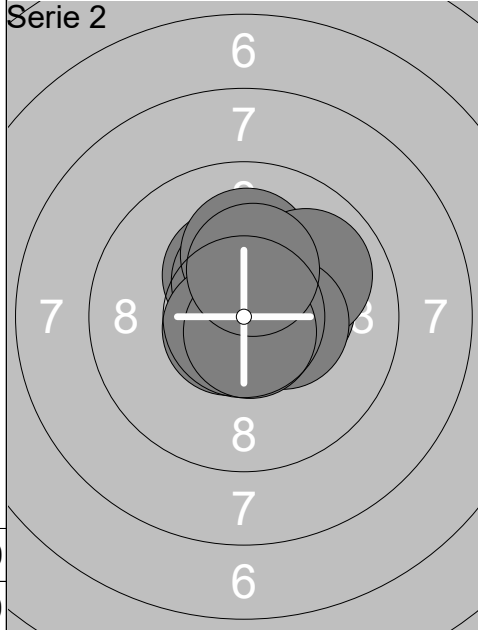
1:	9.3	↘
2:	9.9	↑
3:	9.7	→
4:	8.1	←
5:	9.4	↗
6:	6.5	↗
7:	8.0	↑
8:	10.3x	↑
9:	8.5	←
10:	8.9	←
Series	88.6	
	438.8	



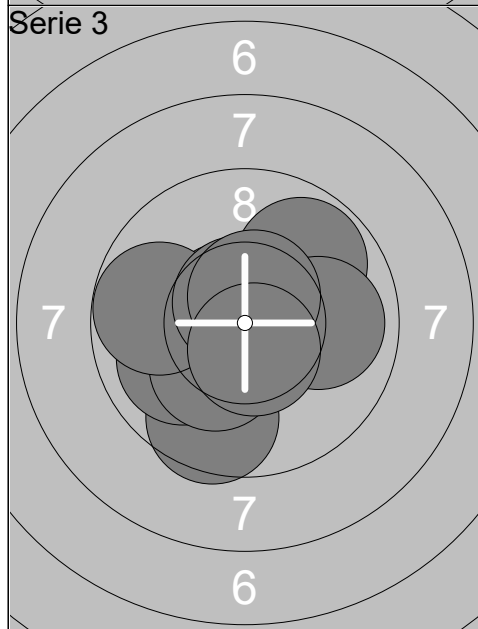
1:	9.6	←
2:	8.8	↓
3:	8.4	→
4:	8.4	→
5:	7.7	↗
6:	8.6	↗
7:	9.7	↗
8:	3.8	→
9:	9.2	↑
10:	9.0	←
Series	83.2	
	522.0	



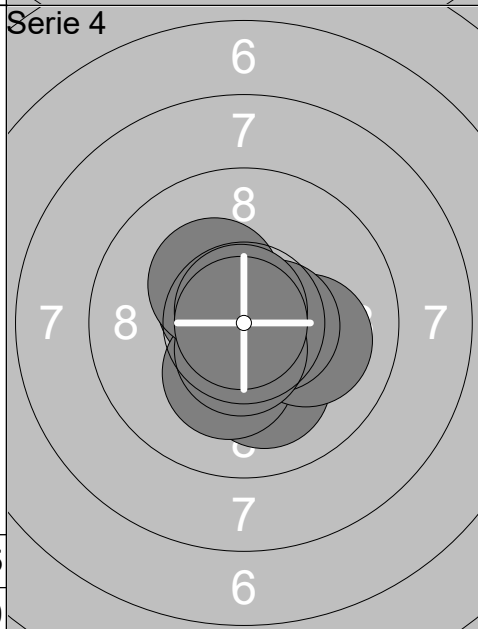
1:	9.7 ↖
2:	9.5 →
3:	10.3x ↓
4:	9.9 ↗
5:	9.5 ↗
6:	9.7 ↖
7:	10.1 ←
8:	10.3x →
9:	10.6x →
10:	10.4x ←
Series	100.0
	100.0



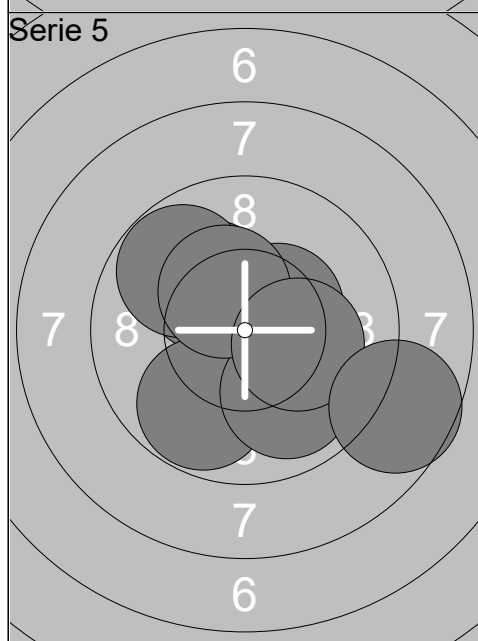
1:	10.3x →
2:	10.3x ↗
3:	10.3x →
4:	10.5x ↗
5:	10.1 ↗
6:	9.9 ↗
7:	10.7x ↙
8:	10.4x →
9:	10.7x ↓
10:	10.3x ↗
Series	103.5
	203.5



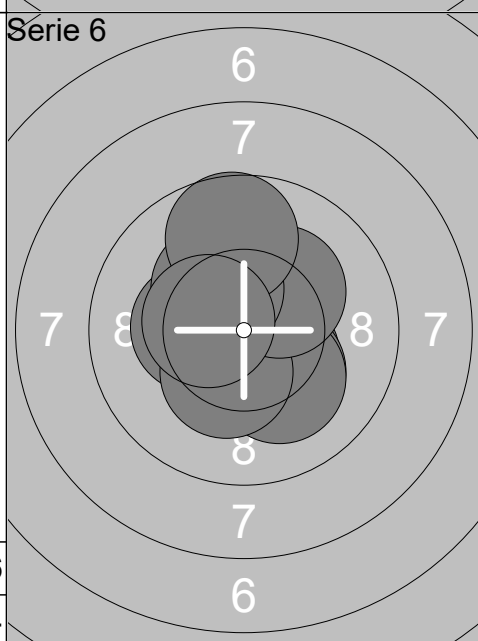
1:	9.6 ↓
2:	10.0 ↙
3:	10.2x ↙
4:	9.8 ↗
5:	10.6x ↖
6:	9.7 ←
7:	10.6x ↗
8:	9.9 →
9:	10.6x ↗
10:	10.5x ↓
Series	101.5
	305.0



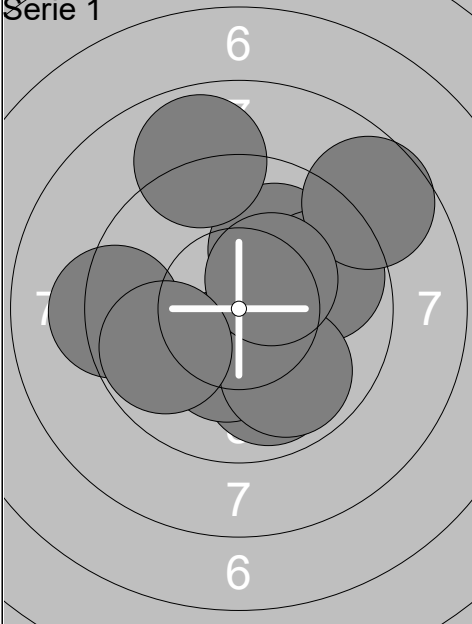
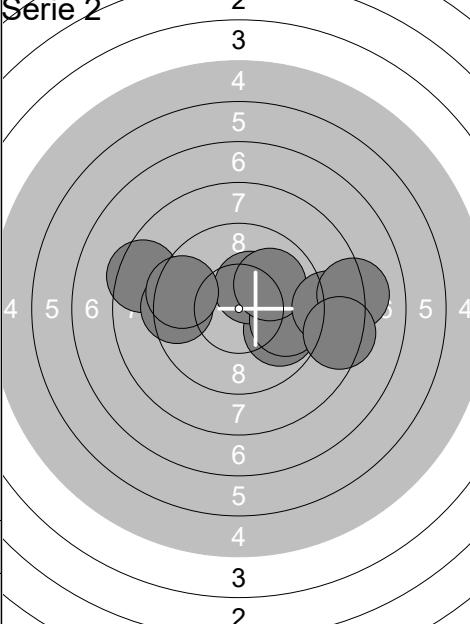
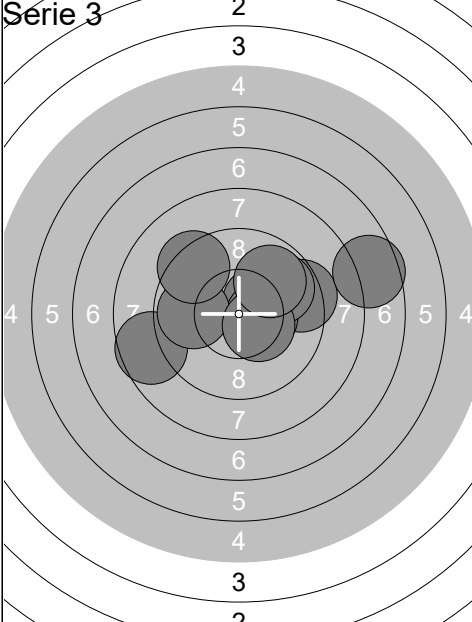
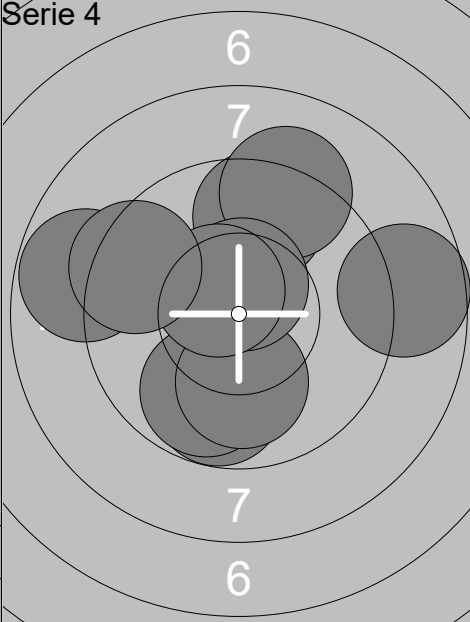
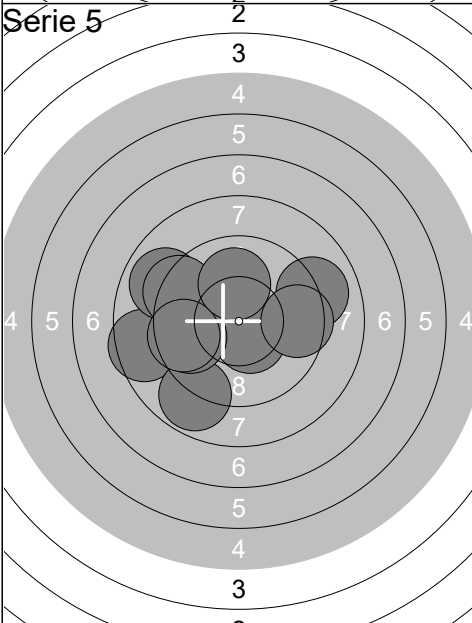
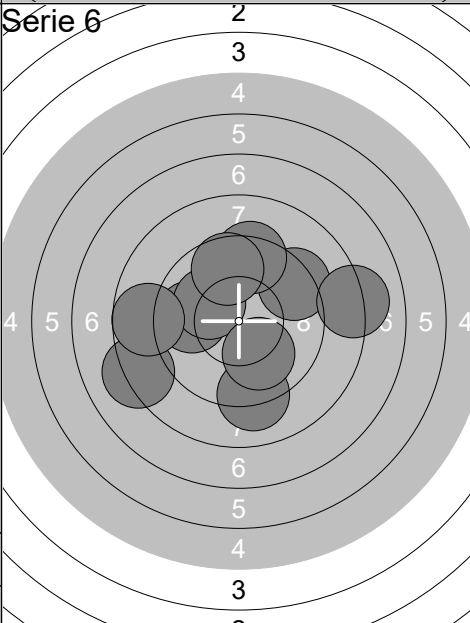
1:	10.8x →
2:	10.1 ↓
3:	10.5x ↖
4:	10.2x ↓
5:	10.1 →
6:	10.5x →
7:	10.6x ↓
8:	10.3x ↖
9:	10.8x ↗
10:	10.9x ←
Series	104.8
	409.8

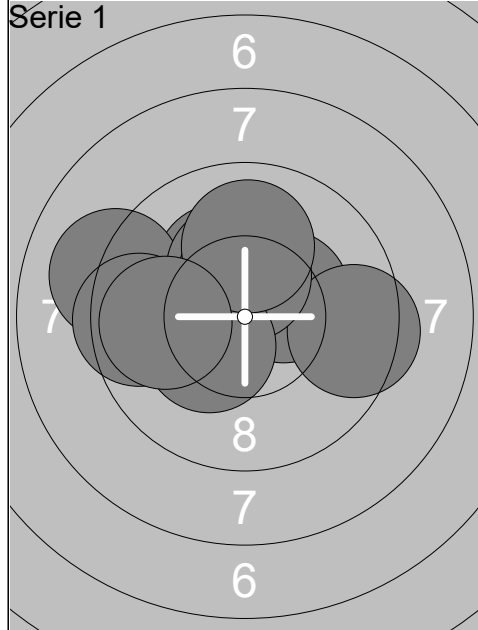


1:	10.6x ↗
2:	10.4x ↗
3:	10.8x ↓
4:	10.2x ↖
5:	9.8 ↖
6:	9.8 ↓
7:	9.9 ↓
8:	10.3x ↖
9:	10.2x →
10:	8.6 ↘
Series	100.6
	510.4

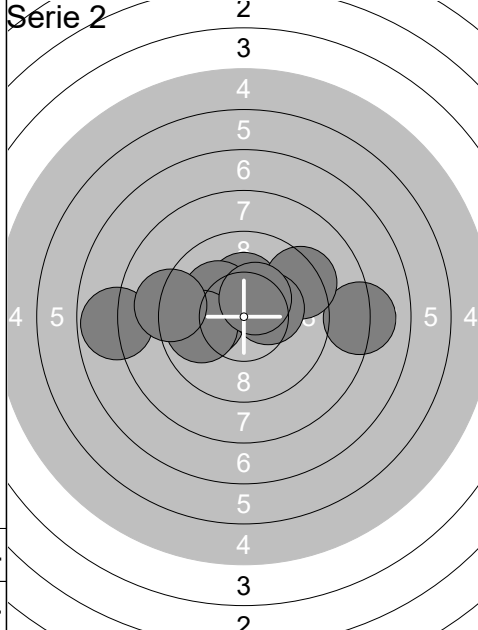


1:	10.9x ↗
2:	10.4x ↘
3:	10.3x ←
4:	10.2x ↘
5:	10.1 ↘
6:	10.3x ↓
7:	10.2x ↗
8:	10.3x ↖
9:	9.7 ↗
10:	10.4x ←
Series	102.8
	613.2

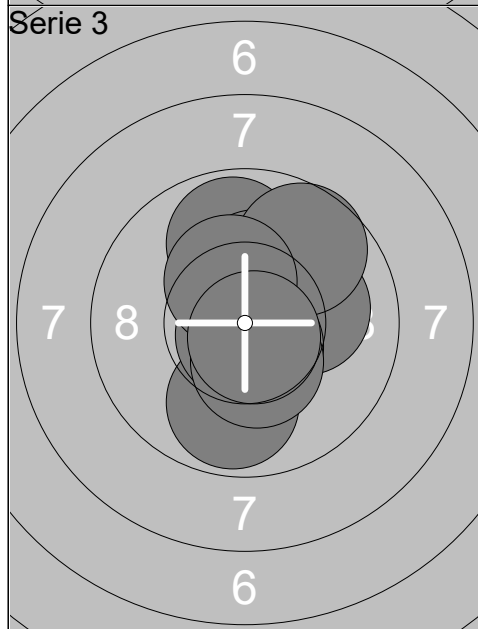
Relay	Lane	Jonas Andersen	
3	17		
Day 1 Denmark Open Air	Trehøje Skytteforening	MJ	
08.03.2019	Day 1 Denmark Open Air	Denmark Open Air	
Série 1		1: 10.0 ↗ 2: 9.9 ↓ 3: 9.8 → 4: 8.6 ↗ 5: 10.3x ↓ 6: 9.9 ↓ 7: 10.3x ↗ 8: 8.9 ↑ 9: 9.2 ← 10: 9.8 ← Series 96.7 96.7	Série 2
			 1: 9.8 ↘ 2: 10.3x ↗ 3: 8.5 ← 4: 9.4 ← 5: 9.5 ← 6: 9.7 → 7: 10.0 ↗ 8: 8.7 → 9: 8.1 → 10: 8.4 → Series 92.4 189.1
Série 3		1: 9.3 → 2: 10.4x ↗ 3: 10.4x → 4: 7.5 → 5: 9.8 ↗ 6: 8.6 ← 7: 9.8 ← 8: 10.4x ↘ 9: 9.3 ↖ 10: 9.8 ↗ Series 95.3 284.4	Série 4
			 1: 9.6 ↑ 2: 8.8 ← 3: 9.2 ↑ 4: 9.7 ↓ 5: 9.8 ↓ 6: 8.7 → 7: 10.0 ↓ 8: 10.5x ↑ 9: 10.5x ↖ 10: 9.4 ← Series 96.2 380.6
Série 5		1: 8.5 ← 2: 10.4x ↓ 3: 8.8 ↓ 4: 9.6 ← 5: 9.0 → 6: 8.9 ← 7: 9.3 ← 8: 9.5 ← 9: 9.5 → 10: 10.0 ↑ Series 93.5 474.1	Série 6
			 1: 9.1 ↓ 2: 9.7 ← 3: 8.2 ← 4: 9.3 ↗ 5: 8.1 → 6: 10.1 ↖ 7: 9.3 ↑ 8: 9.6 ↑ 9: 10.0 ↓ 10: 8.7 ← Series 92.1 566.2



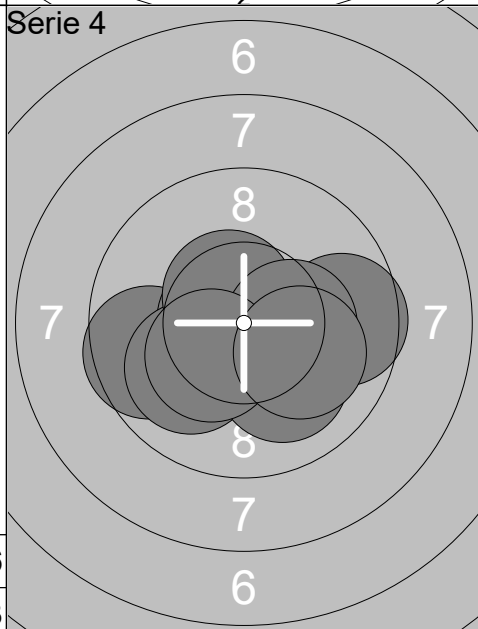
1:	10.3x	↗
2:	10.2x	↖
3:	9.4	→
4:	9.1	←
5:	9.5	←
6:	10.3x	↑
7:	10.4x	↑
8:	10.3x	↙
9:	10.0	↑
10:	9.9	←
Series		99.4
		99.4



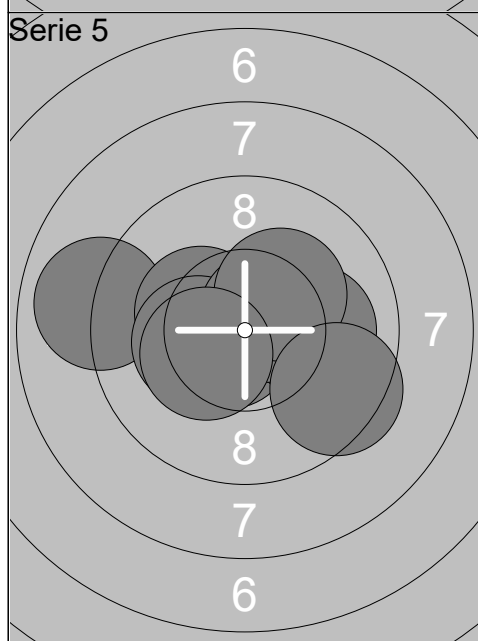
1:	10.3x	↑
2:	8.1	→
3:	10.0	←
4:	10.1	↖
5:	9.3	↗
6:	7.8	←
7:	9.9	←
8:	10.3x	→
9:	10.4x	↗
10:	9.1	←
Series		95.3
		194.7



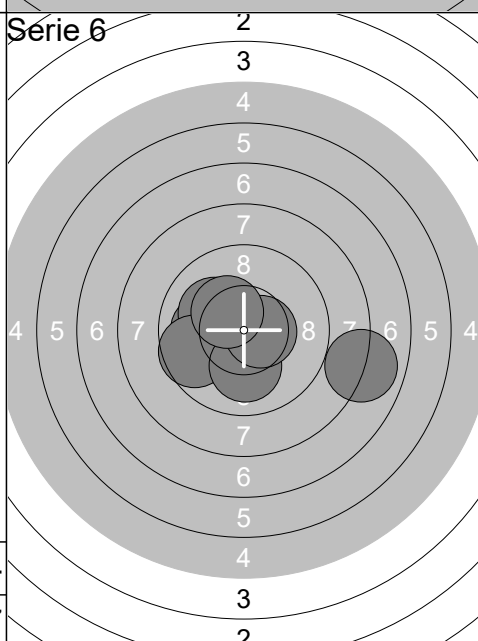
1:	9.8	↑
2:	10.3x	↑
3:	10.1	→
4:	9.7	↗
5:	10.6x	↘
6:	9.9	↓
7:	10.8x	↓
8:	10.4x	↓
9:	10.3x	↖
10:	10.7x	↘
Series		102.6
		297.3



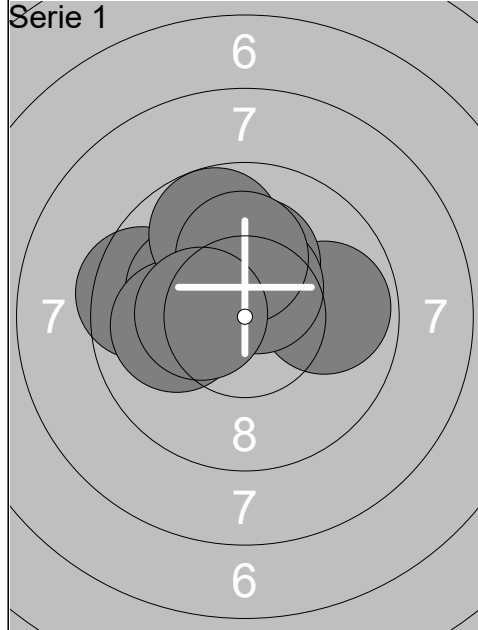
1:	9.6	←
2:	9.6	→
3:	10.7x	←
4:	10.0	↙
5:	10.8x	↗
6:	10.1	↘
7:	10.5x	↖
8:	10.3x	→
9:	10.3x	↙
10:	10.1	↘
Series		102.0
		399.3



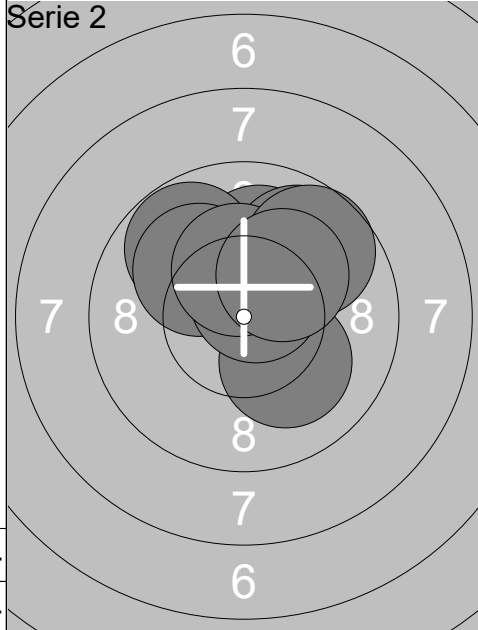
1:	10.6x	↙
2:	8.9	←
3:	10.7x	↗
4:	10.3x	↖
5:	10.3x	←
6:	10.0	→
7:	10.6x	↗
8:	10.2x	↗
9:	9.5	↘
10:	10.3x	↙
Series		101.4
		500.7



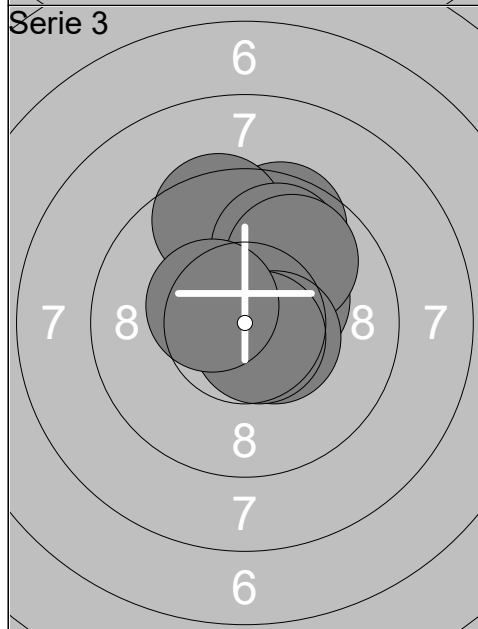
1:	10.4x	↖
2:	10.0	←
3:	10.4x	↙
4:	10.1	↖
5:	10.6x	↓
6:	9.6	←
7:	10.0	↓
8:	10.5x	→
9:	7.9	→
10:	10.3x	↖
Series		99.8
		600.5



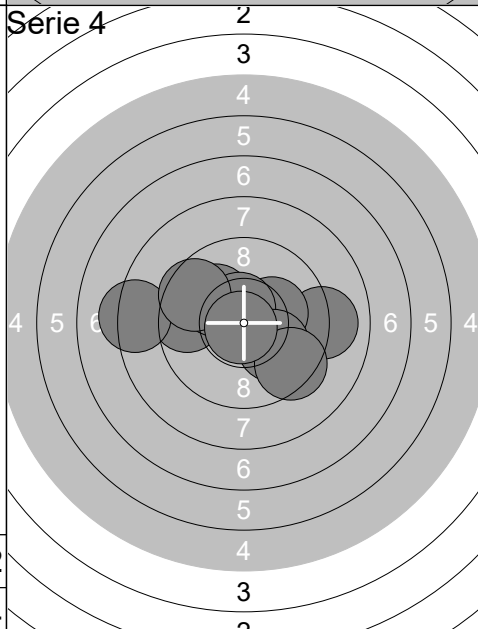
1:	9.5	←
2:	9.9	→
3:	10.2x	↑
4:	10.1	↖
5:	10.5x	↑
6:	10.0	←
7:	10.1	↑
8:	9.7	↑
9:	10.1	↑
10:	10.3x	←
Series	100.4	
	100.4	



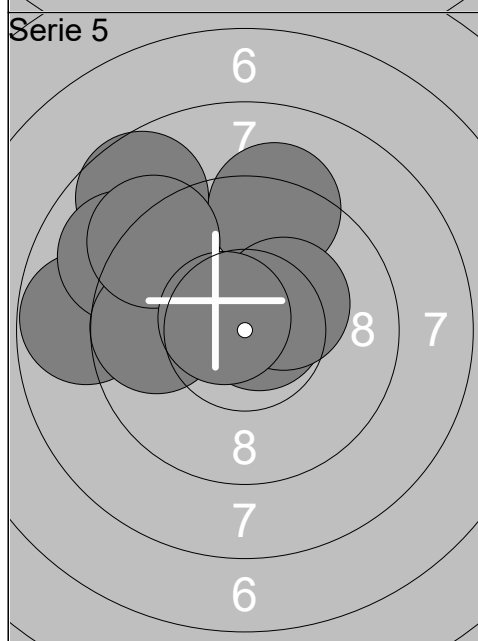
1:	10.1	↘
2:	10.0	↑
3:	9.8	↖
4:	9.8	↗
5:	10.0	↖
6:	10.3x	↑
7:	10.6x	↗
8:	10.3x	↑
9:	9.7	↗
10:	10.2x	↗
Series	100.8	
	201.2	



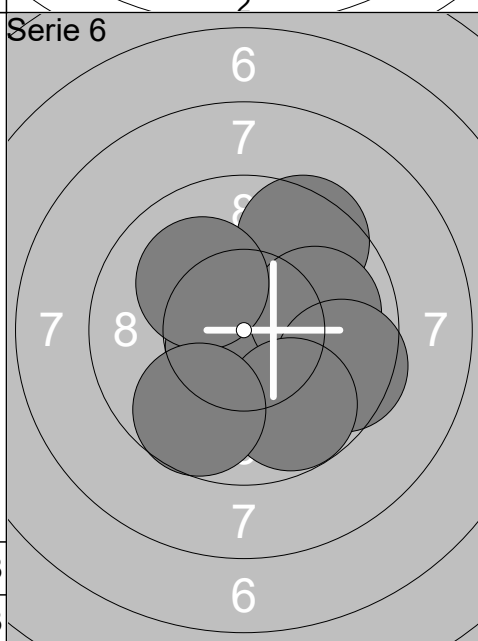
1:	10.0	↑
2:	9.6	↑
3:	10.6x	↖
4:	10.3x	↗
5:	9.5	↑
6:	9.8	↑
7:	9.9	↗
8:	10.5x	↘
9:	10.6x	↘
10:	10.4x	↖
Series	101.2	
	302.4	



1:	9.0	→
2:	9.5	←
3:	10.2x	→
4:	8.2	←
5:	10.0	↖
6:	10.5x	↑
7:	9.5	↖
8:	10.0	↘
9:	9.4	↘
10:	10.8x	↘
Series	97.1	
	399.5	



1:	10.7x	↑
2:	10.7x	↗
3:	8.6	↖
4:	8.8	←
5:	9.2	↑
6:	9.0	↖
7:	9.7	←
8:	9.2	↖
9:	10.3x	↗
10:	10.6x	↖
Series	96.8	
	496.3	



1:	10.1	↗
2:	10.2x	↗
3:	10.0	→
4:	9.5	↗
5:	10.6x	↘
6:	9.9	→
7:	10.1	↖
8:	9.5	↘
9:	9.7	↘
10:	9.7	↘
Series	99.3	
	595.6	