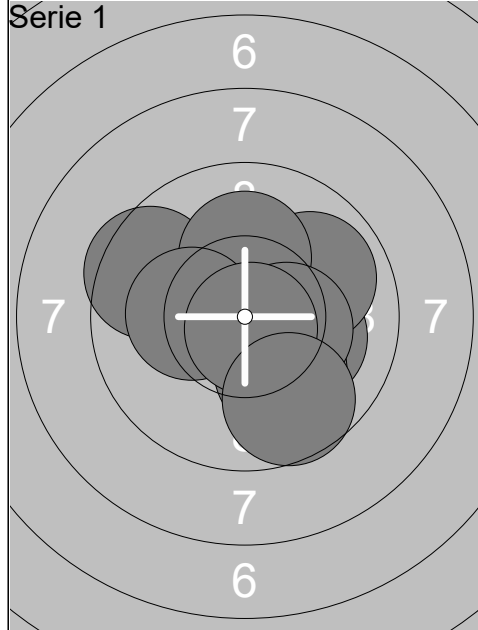
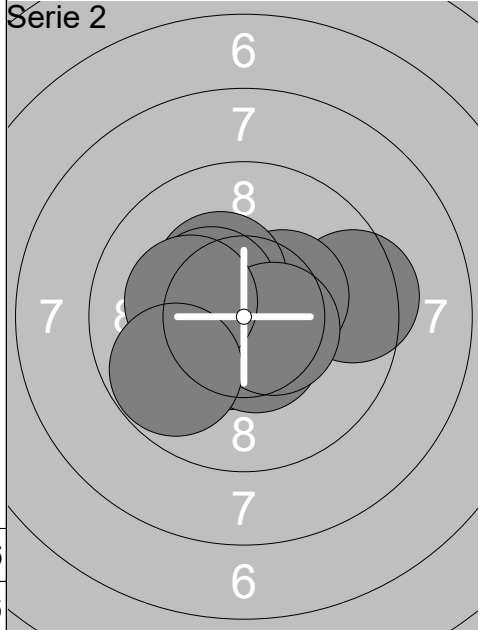


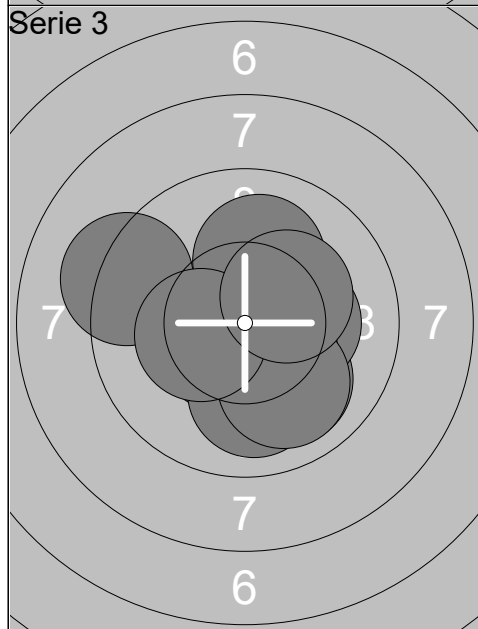
Hold	Skive	Erik Skovmand		
1	2			
Day 1 Denmark Open Air		Viborg Skytte Forening	M	
08.03.2019		Day 1 Denmark Open Air	Denmark Open Air	
Serie 1 		1: 10.4x ← 2: 10.3x ↗ 3: 10.1 ← 4: 10.8x ↓ 5: 10.6x ← 6: 10.1 ↑ 7: 9.9 ↓ 8: 10.1 ← 9: 10.4x ↗ 10: 10.6x ↖ Serie 103.3 Total 103.3	Serie 2 	1: 10.6x ↙ 2: 10.2x ↖ 3: 10.9x ↑ 4: 10.7x ↓ 5: 10.7x → 6: 10.7x ↖ 7: 10.5x ↖ 8: 9.9 → 9: 10.7x ↘ 10: 10.3x ↗ Serie 105.2 Total 208.5
Serie 3 		1: 10.5x ↖ 2: 10.8x ↖ 3: 10.2x ↗ 4: 10.3x ← 5: 10.2x → 6: 10.7x → 7: 10.0 ↓ 8: 10.5x ↓ 9: 10.2x ← 10: 10.6x ↓ Serie 104.0 Total 312.5	Serie 4 	1: 10.5x ↗ 2: 10.7x → 3: 10.0 ↙ 4: 10.5x ← 5: 10.2x ↗ 6: 10.3x ↖ 7: 10.4x ↙ 8: 10.6x ↓ 9: 10.6x → 10: 10.1 ← Serie 103.9 Total 416.4
Serie 5 		1: 10.3x → 2: 10.1 ← 3: 10.4x ↓ 4: 10.4x → 5: 10.8x ← 6: 10.6x ↗ 7: 9.8 ↓ 8: 10.8x ↑ 9: 10.7x ↗ 10: 10.7x ↘ Serie 104.6 Total 521.0	Serie 6 	1: 10.2x ← 2: 9.8 ↓ 3: 10.6x ← 4: 10.1 ↗ 5: 10.4x → 6: 10.5x ↑ 7: 9.7 → 8: 10.0 ← 9: 10.1 ↖ 10: 10.0 ↑ Serie 101.4 Total 622.4



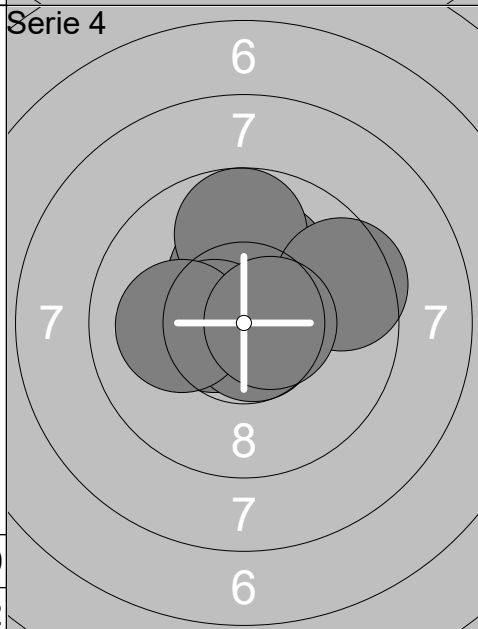
1:	10.9x ↙
2:	9.5 ↖
3:	10.1 ➔
4:	9.9 ➔
5:	10.1 ↑
6:	10.2x ←
7:	10.1 ↓
8:	10.4x ➔
9:	10.8x ↓
10:	9.6 ↓
Serie	101.6
Total	101.6



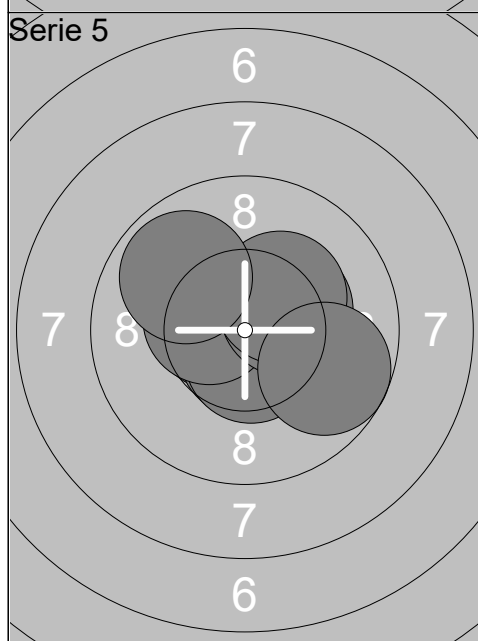
1:	9.4 ➔
2:	10.7x ↑
3:	10.3x ➔
4:	10.3x ↖
5:	10.5x ↙
6:	10.5x ↓
7:	10.4x ↖
8:	10.5x ➔
9:	10.2x ←
10:	9.8 ↙
Serie	102.6
Total	204.2



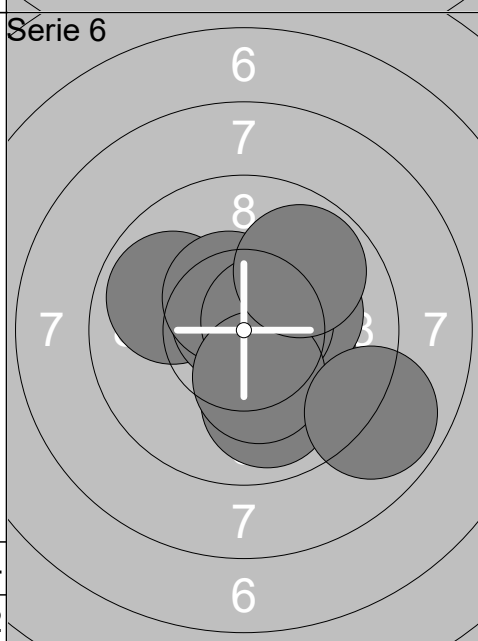
1:	10.5x ↙
2:	10.0 ↓
3:	10.2x ➔
4:	10.0 ↓
5:	10.4x ↙
6:	10.0 ↓
7:	10.1 ↑
8:	9.2 ↖
9:	10.3x ←
10:	10.3x ➔
Serie	101.0
Total	305.2



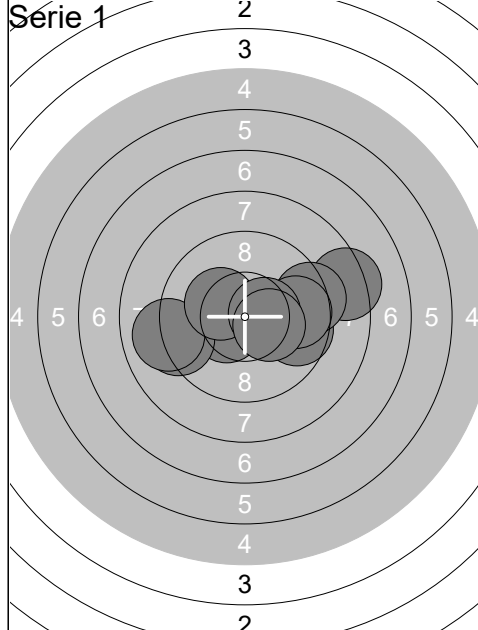
1:	10.4x ↑
2:	10.3x ↑
3:	10.7x ↖
4:	10.1 ↑
5:	9.7 ↑
6:	10.5x ←
7:	10.7x ↓
8:	9.5 ➔
9:	10.1 ←
10:	10.6x ➔
Serie	102.6
Total	407.8



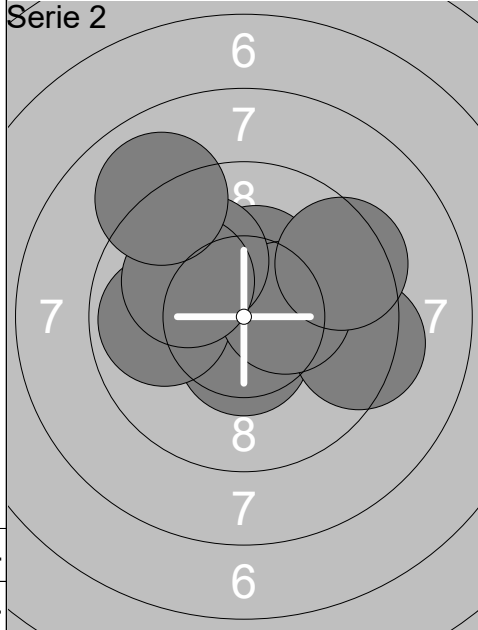
1:	10.5x ←
2:	10.7x ↑
3:	10.3x ➔
4:	10.7x ↓
5:	10.6x ↓
6:	10.4x ←
7:	10.3x ➔
8:	10.3x ➔
9:	9.9 ↖
10:	9.7 ➔
Serie	103.4
Total	511.2



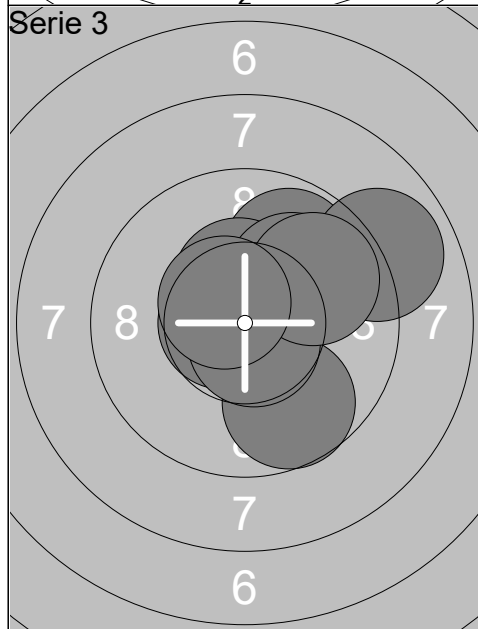
1:	9.9 ↖
2:	10.7x ↖
3:	10.3x ➔
4:	10.4x ↖
5:	9.9 ↓
6:	10.2x ➔
7:	10.6x ➔
8:	10.2x ↓
9:	9.8 ➔
10:	8.9 ↙
Serie	100.9
Total	612.1



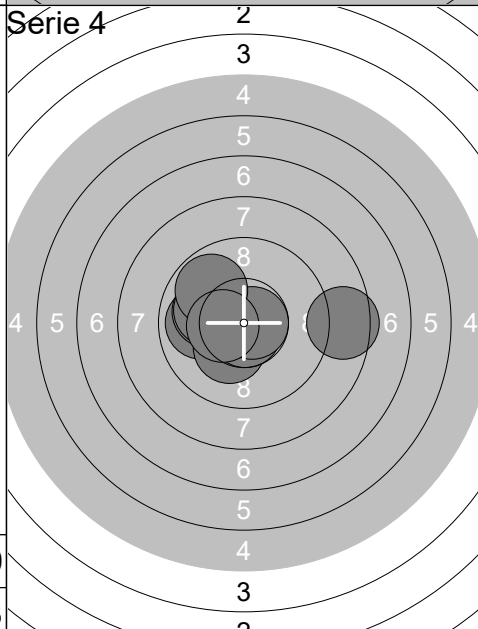
1:	8.3	→
2:	9.6	→
3:	10.4x	↙
4:	9.2	←
5:	9.3	→
6:	9.0	←
7:	9.7	→
8:	10.2x	↙
9:	10.4x	→
10:	10.3x	→
Serie		96.4
Total		96.4



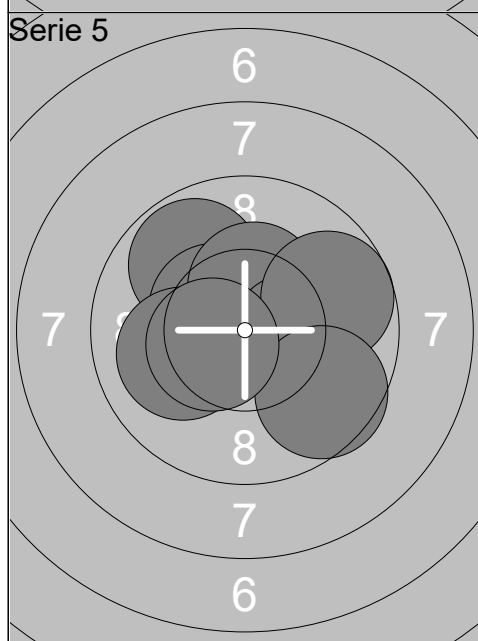
1:	10.5x	↓
2:	9.8	←
3:	9.3	→
4:	10.2x	↗
5:	10.3x	↑
6:	10.4x	→
7:	10.0	↖
8:	10.0	↖
9:	9.0	↖
10:	9.4	↗
Serie		98.9
Total		195.3



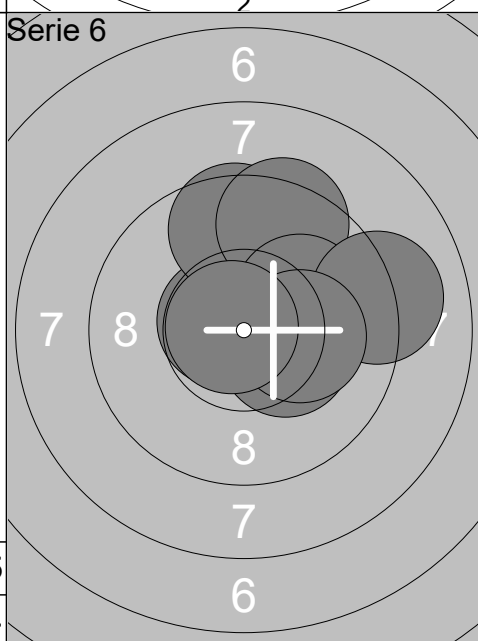
1:	9.8	↗
2:	10.7x	↙
3:	9.7	↓
4:	10.4x	↑
5:	8.9	↗
6:	10.0	↗
7:	10.6x	↙
8:	10.6x	↓
9:	9.8	↗
10:	10.5x	↖
Serie		101.0
Total		296.3



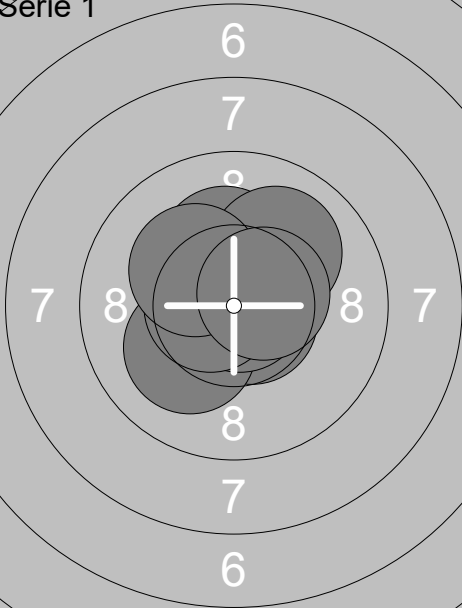
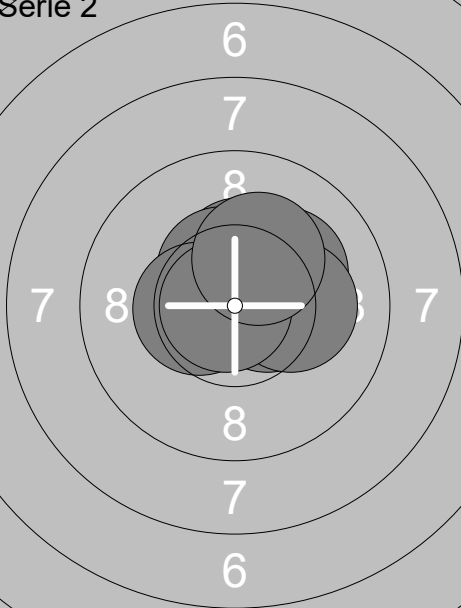
1:	10.4x	↙
2:	9.9	←
3:	8.5	→
4:	10.0	←
5:	10.2x	↙
6:	10.7x	↓
7:	10.0	←
8:	10.7x	→
9:	9.8	↖
10:	10.4x	↙
Serie		100.6
Total		396.9

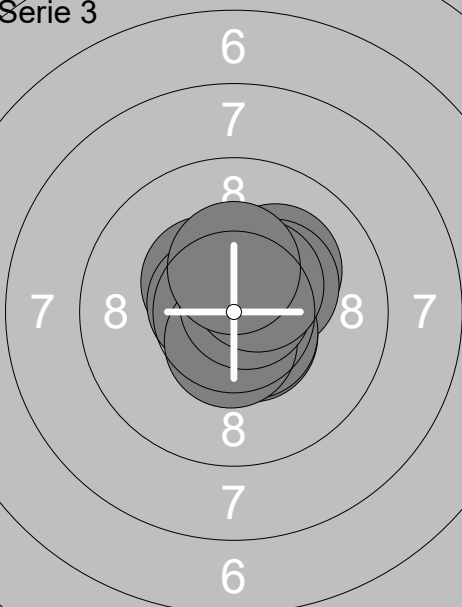
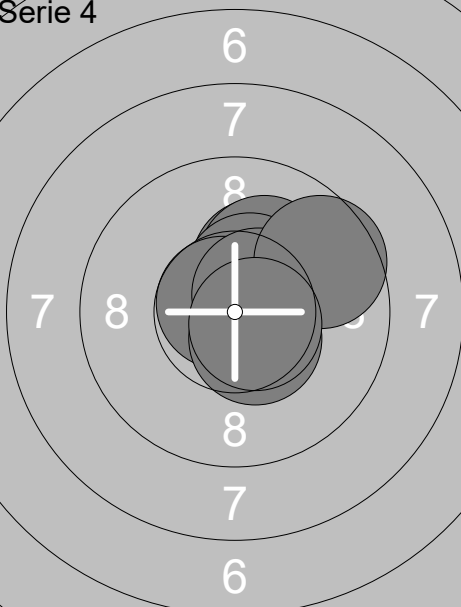


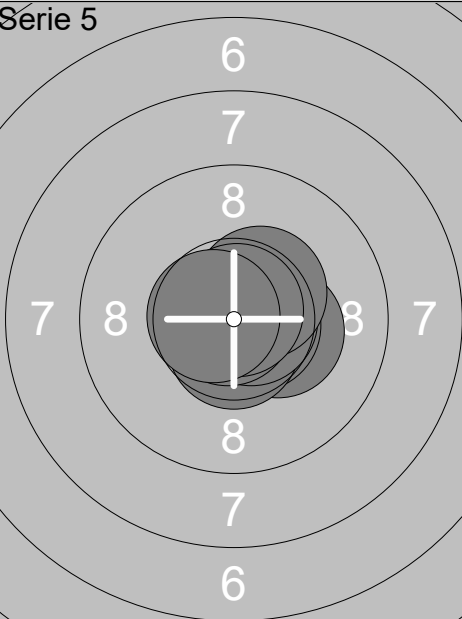
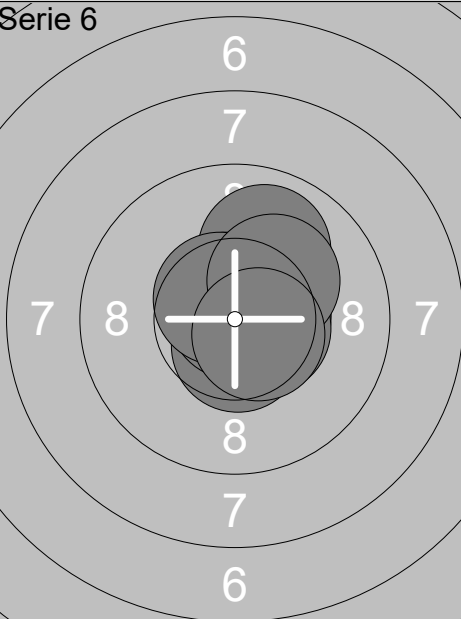
1:	10.4x	↑
2:	9.8	↖
3:	10.6x	↗
4:	10.4x	↖
5:	10.4x	↑
6:	10.2x	→
7:	10.0	←
8:	9.7	→
9:	9.6	↓
10:	10.4x	↙
Serie		101.5
Total		498.4

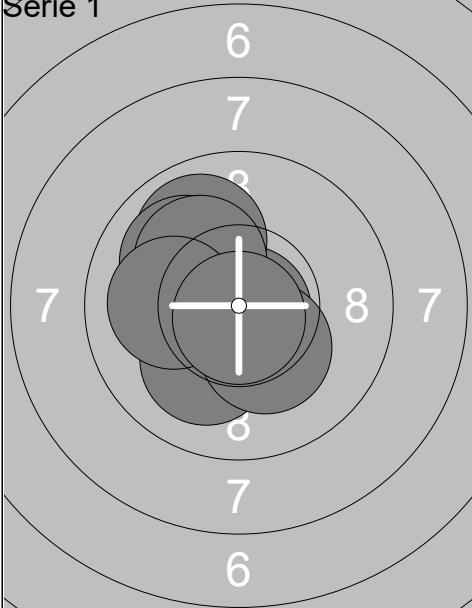
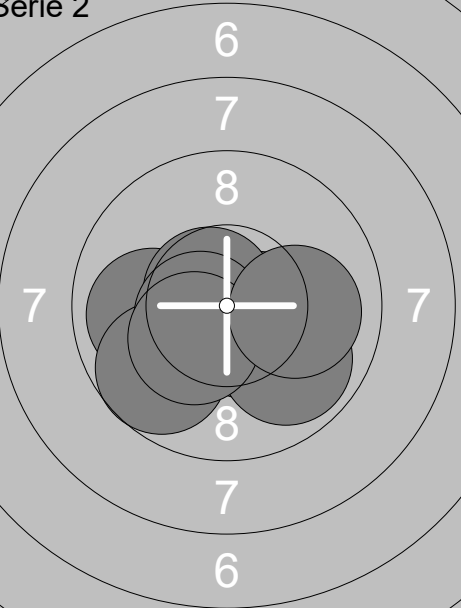
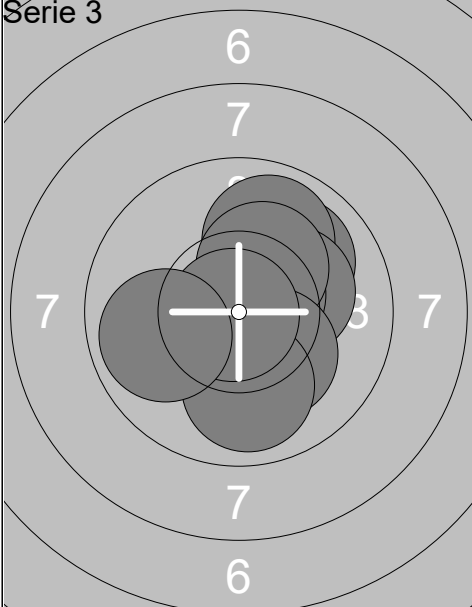
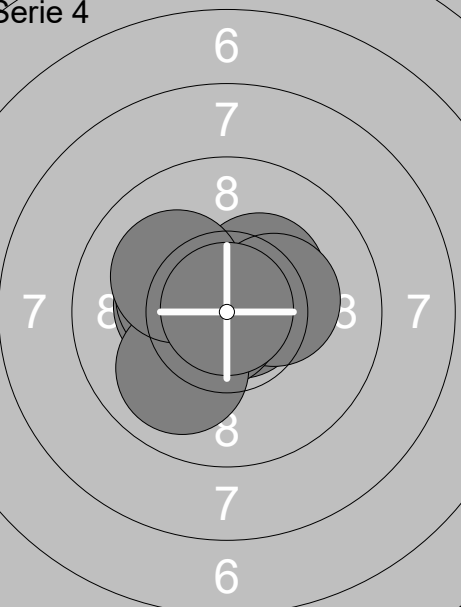
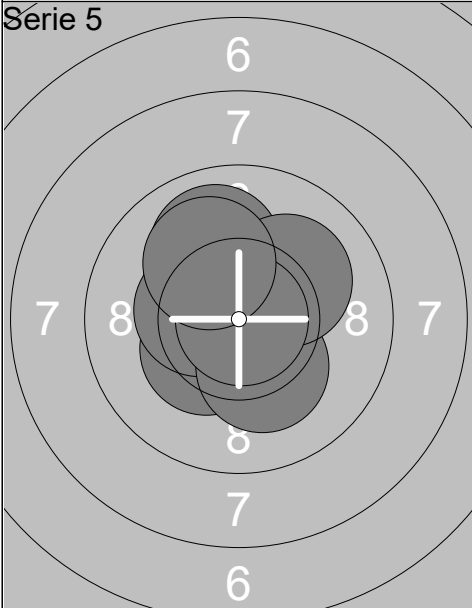
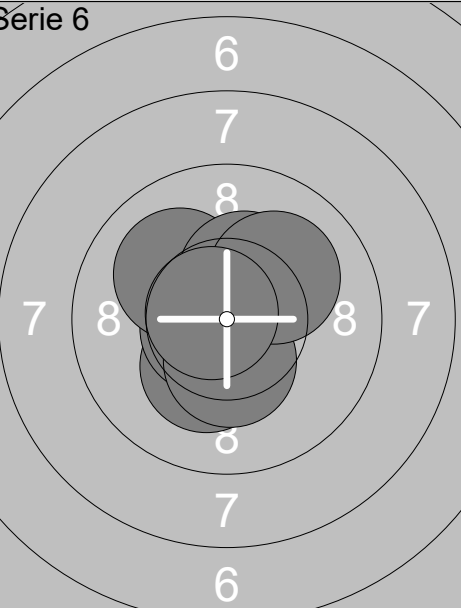


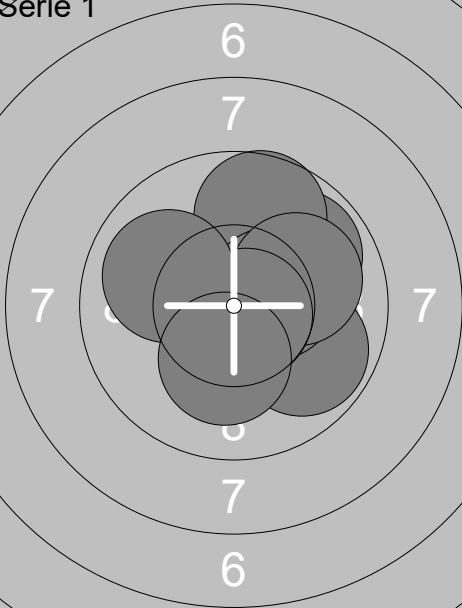
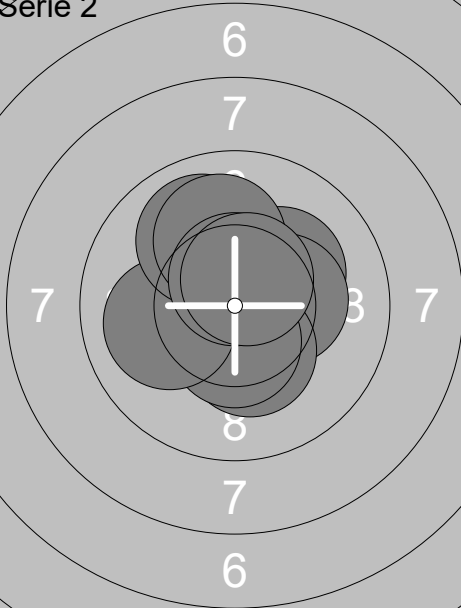
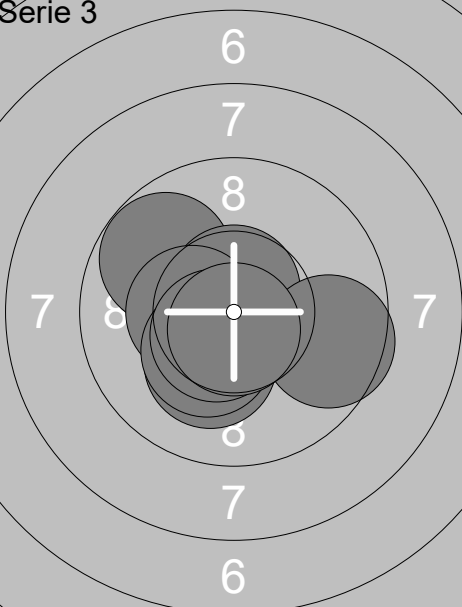
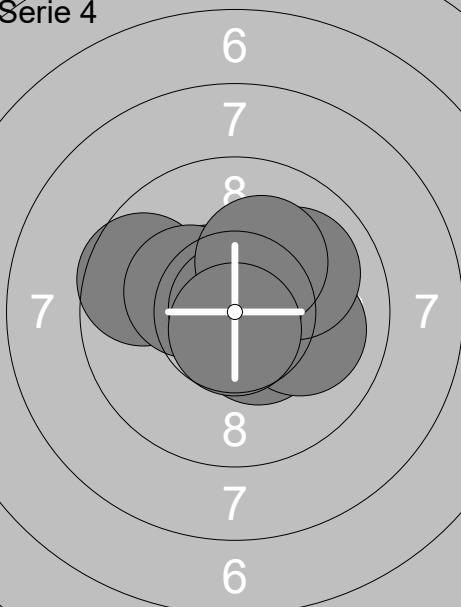
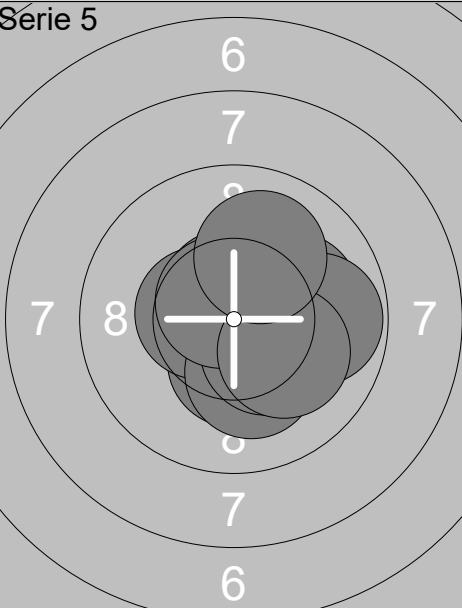
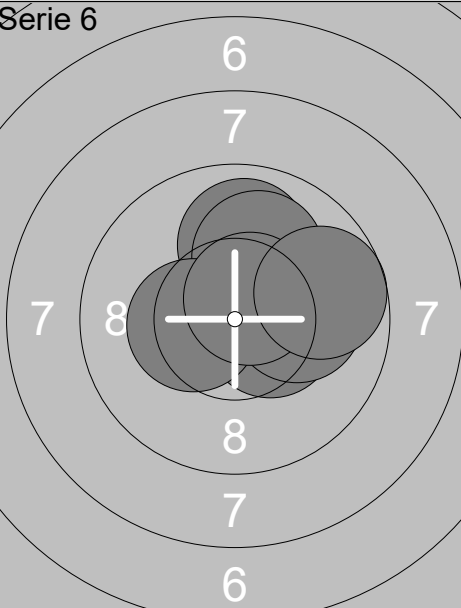
1:	10.6x	↙
2:	10.8x	↗
3:	10.4x	↗
4:	9.6	↑
5:	9.4	↑
6:	10.1	↗
7:	10.3x	→
8:	9.1	→
9:	10.2x	→
10:	10.8x	↙
Serie		101.3
Total		599.7

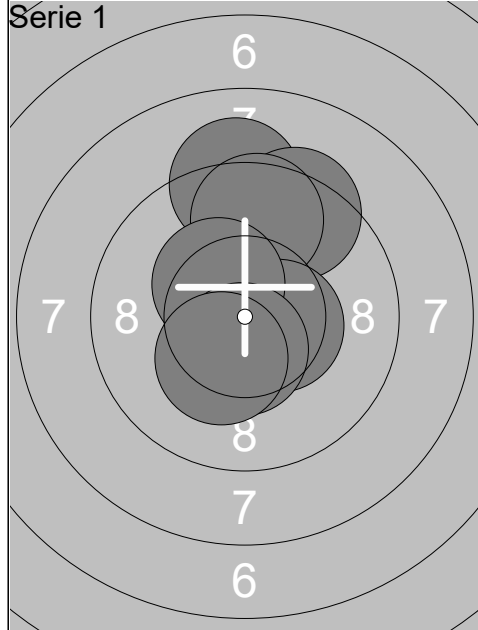
<p>Serie 1</p> 	<p>1: 10.6x ↘ 2: 10.1 ↙ 3: 10.9x → 4: 10.5x ↗ 5: 10.2x ↗ 6: 10.7x ↖ 7: 10.6x ← 8: 10.0 ↗ 9: 10.2x ↖ 10: 10.5x →</p> <p>Serie 104.3 Total 104.3</p>	<p>Serie 2</p> 	<p>1: 10.5x ↗ 2: 10.5x → 3: 10.4x ↑ 4: 10.5x ↖ 5: 10.1 ↗ 6: 10.7x ↗ 7: 10.5x ← 8: 10.2x → 9: 10.8x ← 10: 10.2x ↗</p> <p>Serie 104.4 Total 208.7</p>
--	--	--	---

<p>Serie 3</p> 	<p>1: 10.5x ↘ 2: 10.1 ↗ 3: 10.4x ↖ 4: 10.3x ↗ 5: 10.6x ↘ 6: 10.6x ↖ 7: 10.5x ↓ 8: 10.7x ↗ 9: 10.4x ↗ 10: 10.3x ↑</p> <p>Serie 104.4 Total 313.1</p>	<p>Serie 4</p> 	<p>1: 10.2x ↗ 2: 10.7x ↗ 3: 10.8x ↖ 4: 10.2x ↗ 5: 10.5x ↗ 6: 10.7x ↖ 7: 10.5x ↘ 8: 10.5x ↗ 9: 9.6 ↗ 10: 10.6x ↘</p> <p>Serie 104.3 Total 417.4</p>
---	---	---	--

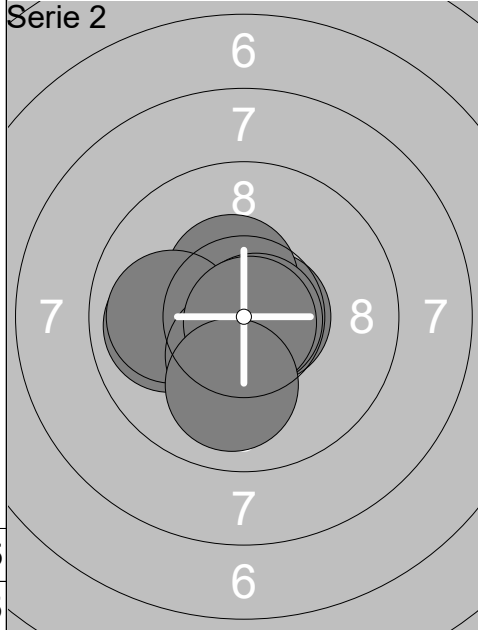
<p>Serie 5</p> 	<p>1: 10.5x → 2: 10.3x → 3: 10.6x → 4: 10.6x ↓ 5: 10.8x ↗ 6: 10.7x → 7: 10.9x ← 8: 10.4x ↗ 9: 10.8x ↗ 10: 10.7x ←</p> <p>Serie 106.3 Total 523.7</p>	<p>Serie 6</p> 	<p>1: 9.9 ↗ 2: 10.5x → 3: 10.6x ↖ 4: 10.6x ↓ 5: 10.5x → 6: 10.9x ↑ 7: 10.5x → 8: 10.6x ↖ 9: 10.2x ↗ 10: 10.6x ↘</p> <p>Serie 104.9 Total 628.6</p>
--	--	--	--

Hold	Skive	Lars Ørum									
1	7	Day 1 Denmark Open Air		Aalborg Skyttekreds	M						
08.03.2019		Day 1 Denmark Open Air		Denmark Open Air							
Serie 1				1: 10.8x ↘ 2: 10.8x ↘ 3: 10.3x ↙ 4: 10.1 ↘ 5: 9.9 ↗ 6: 10.0 ↗ 7: 10.1 ↗ 8: 10.3x ↘ 9: 10.1 ← 10: 10.8x ↓		Serie 2				1: 10.6x ↘ 2: 9.9 ← 3: 10.5x ↘ 4: 10.5x → 5: 9.7 ↘ 6: 9.9 ↘ 7: 10.7x ↙ 8: 10.5x ↙ 9: 10.3x ↘ 10: 10.0 →	
		Serie 103.2				Serie 102.6					
		Total 103.2				Total 205.8					
Serie 3				1: 10.0 ↗ 2: 9.9 ↗ 3: 10.4x ↘ 4: 10.2x → 5: 10.6x ↗ 6: 10.2x ↗ 7: 10.2x ↘ 8: 9.9 ↓ 9: 10.8x ↙ 10: 9.9 ←		Serie 4				1: 10.8x → 2: 10.3x ↙ 3: 10.3x ← 4: 10.3x ← 5: 10.3x ↗ 6: 10.3x → 7: 10.7x ↙ 8: 9.9 ↘ 9: 10.1 ↙ 10: 10.9x ↑	
		Serie 102.1				Serie 103.9					
		Total 307.9				Total 411.8					
Serie 5				1: 9.9 ↗ 2: 10.3x ↘ 3: 10.3x ↗ 4: 10.9x ← 5: 10.3x ↙ 6: 10.4x ← 7: 10.2x ↘ 8: 10.1 ↗ 9: 10.9x → 10: 10.1 ↙		Serie 6				1: 10.2x ↘ 2: 10.5x ↗ 3: 10.6x ← 4: 10.6x ↙ 5: 10.0 ↙ 6: 10.3x ↗ 7: 10.8x ↙ 8: 10.4x ↓ 9: 10.1 ↗ 10: 10.7x ↙	
		Serie 103.4				Serie 104.2					
		Total 515.2				Total 619.4					

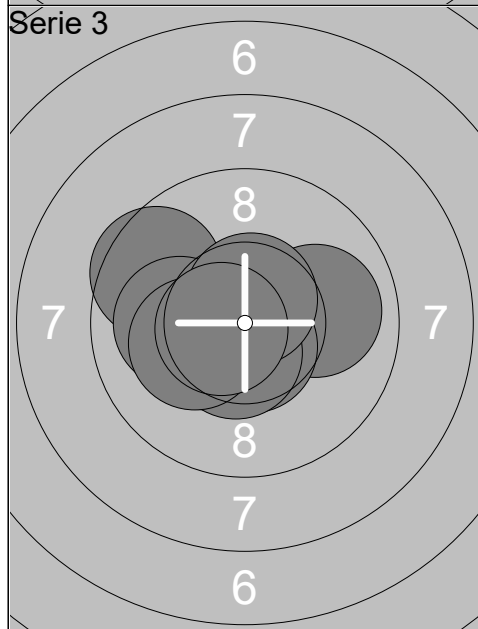
<p>Serie 1</p> 	<p>1: 9.8 ↗ 2: 10.6x ↗ 3: 10.7x ↗ 4: 9.7 ↗ 5: 9.8 ↘ 6: 10.4x → 7: 10.0 → 8: 10.7x ↘ 9: 10.0 ← 10: 10.2x ↓</p> <p>Serie 101.9 Total 101.9</p>	<p>Serie 2</p> 	<p>1: 10.2x ↗ 2: 10.3x → 3: 10.3x ↓ 4: 10.5x ↓ 5: 10.0 ← 6: 10.3x ↑ 7: 10.0 ↗ 8: 10.0 ↑ 9: 10.6x ↑ 10: 10.5x ↗</p> <p>Serie 102.7 Total 204.6</p>
<p>Serie 3</p> 	<p>1: 9.8 ↖ 2: 10.6x ↖ 3: 10.2x ↓ 4: 10.7x ↓ 5: 10.6x ↑ 6: 10.4x ← 7: 10.3x ↓ 8: 10.5x ↓ 9: 9.6 → 10: 10.7x ↓</p> <p>Serie 103.4 Total 308.0</p>	<p>Serie 4</p> 	<p>1: 10.5x ↖ 2: 9.6 ← 3: 10.8x → 4: 10.4x ↘ 5: 10.0 → 6: 10.0 ↗ 7: 10.3x ↖ 8: 10.9x ↑ 9: 10.1 ↗ 10: 10.7x ↓</p> <p>Serie 103.3 Total 411.3</p>
<p>Serie 5</p> 	<p>1: 10.1 → 2: 10.4x ↓ 3: 10.6x ↑ 4: 10.5x ← 5: 10.2x ↓ 6: 9.8 → 7: 10.3x ↘ 8: 10.6x ↗ 9: 10.1 ↘ 10: 10.0 ↗</p> <p>Serie 102.6 Total 513.9</p>	<p>Serie 6</p> 	<p>1: 10.4x → 2: 9.9 ↑ 3: 10.7x ↗ 4: 10.2x → 5: 10.4x → 6: 10.1 → 7: 10.0 ↗ 8: 10.4x ← 9: 10.6x ↗ 10: 9.7 →</p> <p>Serie 102.4 Total 616.3</p>



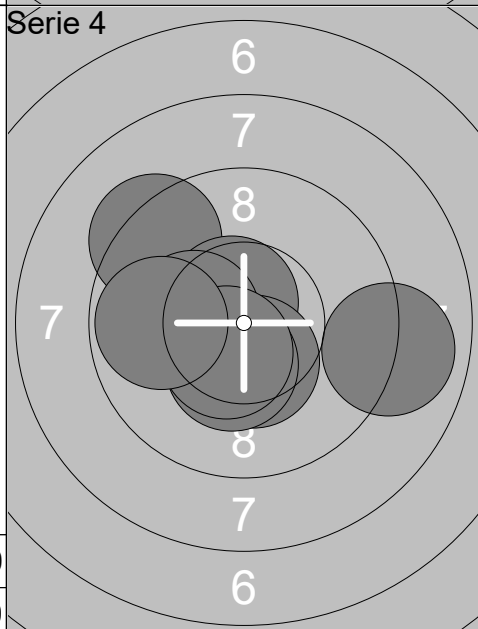
1:	10.5x ↘
2:	9.5 ↑
3:	9.1 ↑
4:	10.8x ↑
5:	9.4 ↗
6:	9.6 ↑
7:	10.5x →
8:	10.3x ↖
9:	10.5x ↓
10:	10.3x ↘
Serie	100.5
Total	100.5



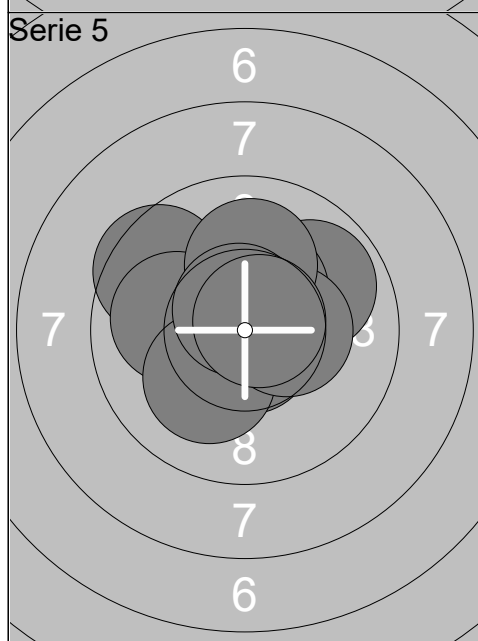
1:	10.8x ↓
2:	9.9 ←
3:	10.6x ←
4:	10.7x →
5:	10.4x ↑
6:	10.0 ←
7:	10.8x →
8:	10.4x ↓
9:	10.8x ↘
10:	10.0 ↓
Serie	104.4
Total	204.9



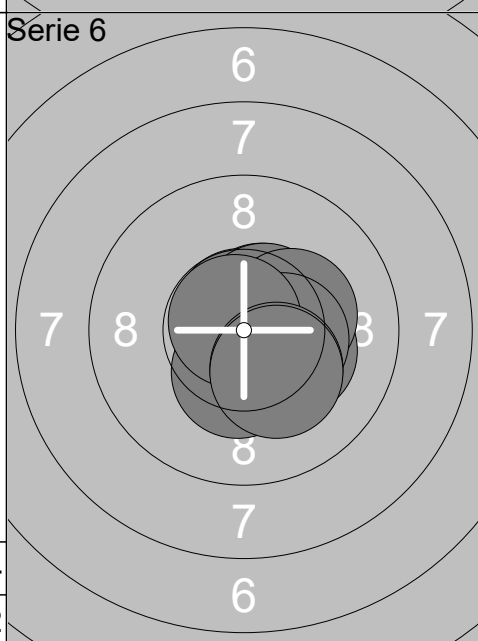
1:	10.6x ↓
2:	10.3x ←
3:	9.6 ↖
4:	10.0 →
5:	10.6x ↓
6:	10.5x ↓
7:	10.0 ←
8:	10.2x ←
9:	10.6x ↑
10:	10.6x ←
Serie	103.0
Total	307.9



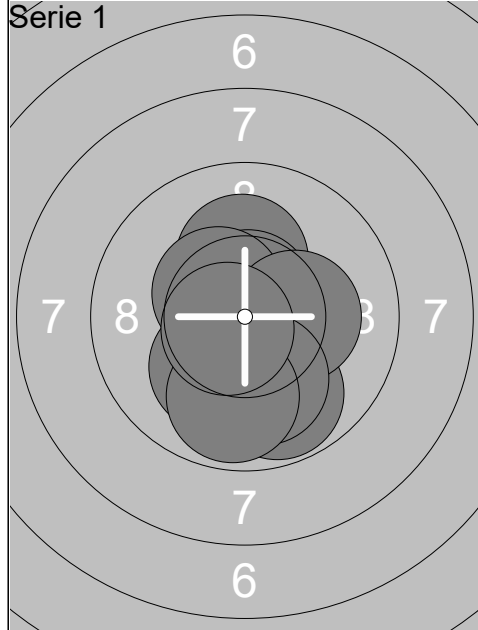
1:	10.4x ←
2:	10.4x ↖
3:	9.3 ↖
4:	10.6x ↗
5:	10.3x ←
6:	10.4x ↓
7:	8.9 →
8:	10.3x ↓
9:	10.5x ↘
10:	9.8 ←
Serie	100.9
Total	408.8



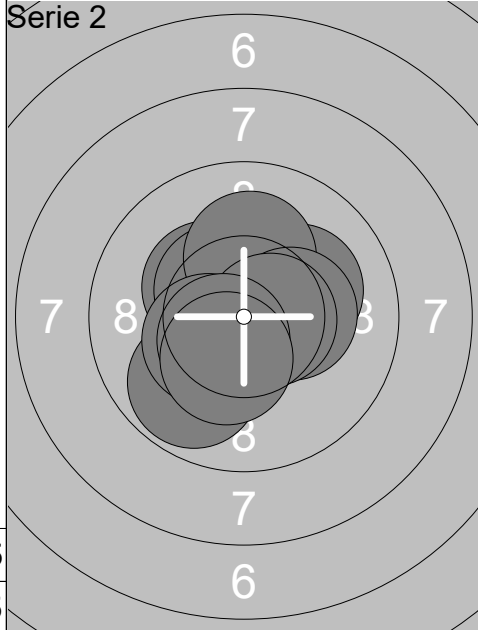
1:	9.5 ↖
2:	9.9 ↗
3:	10.3x ↑
4:	10.7x ↓
5:	10.0 ←
6:	10.2x ↘
7:	10.4x →
8:	10.1 ↑
9:	10.6x ↑
10:	10.7x ↗
Serie	102.4
Total	511.2



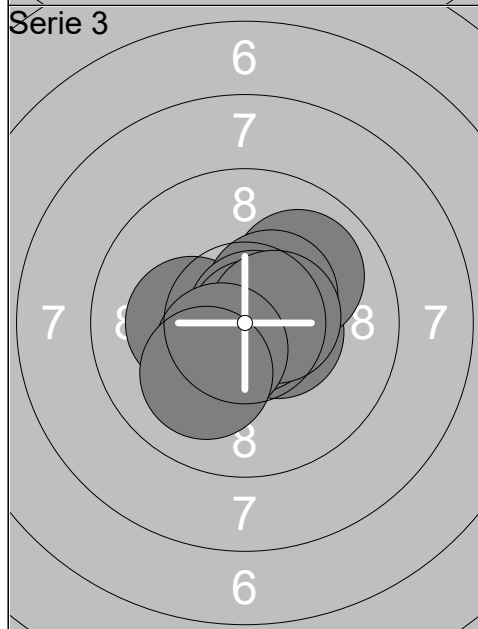
1:	10.5x ↗
2:	10.2x →
3:	10.7x ↑
4:	10.5x ↗
5:	10.2x →
6:	10.4x →
7:	10.4x ↓
8:	10.7x ↖
9:	10.2x ↘
10:	10.2x ↘
Serie	104.0
Total	615.2



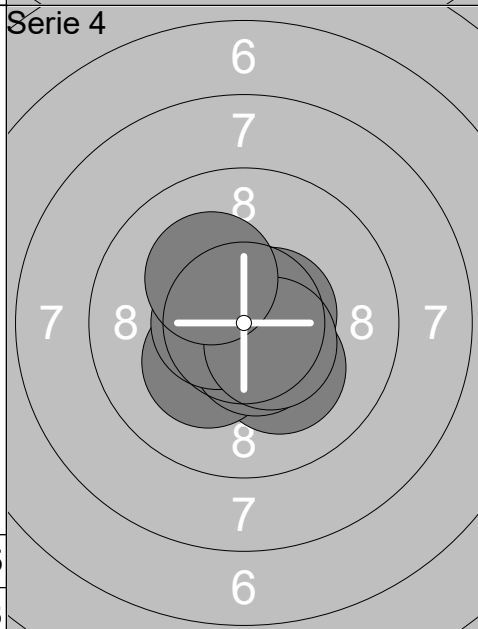
1:	10.2x ↑
2:	9.8 ↓
3:	10.7x ↑
4:	10.6x ↑
5:	10.4x ↖
6:	10.2x →
7:	10.1 ↓
8:	10.1 ↓
9:	9.8 ↓
10:	10.6x ↙
Serie	102.5
Total	102.5



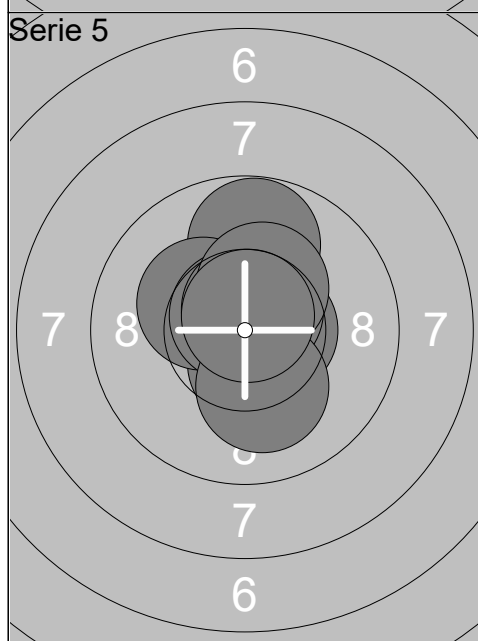
1:	10.1 ↗
2:	10.3x ↖
3:	10.4x ↖
4:	10.1 ↑
5:	10.3x →
6:	9.8 ↓
7:	10.6x →
8:	10.4x ↙
9:	10.5x ↙
10:	10.3x ↓
Serie	102.8
Total	205.3



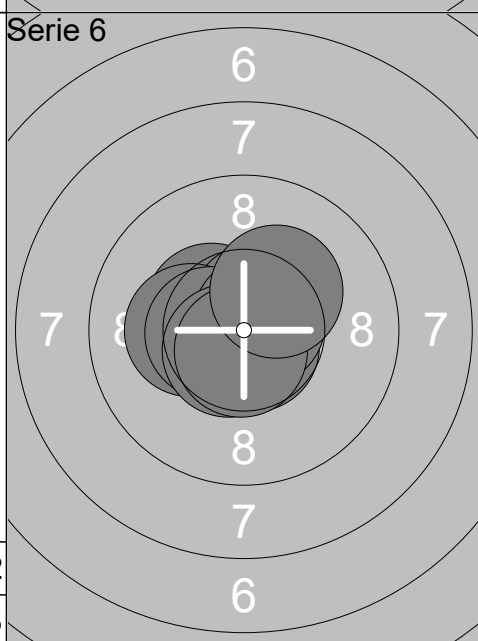
1:	10.5x →
2:	10.2x ←
3:	10.0 ↗
4:	10.4x ↗
5:	10.8x →
6:	10.8x ↗
7:	10.8x →
8:	10.5x →
9:	10.4x ↙
10:	10.1 ↓
Serie	104.5
Total	309.8



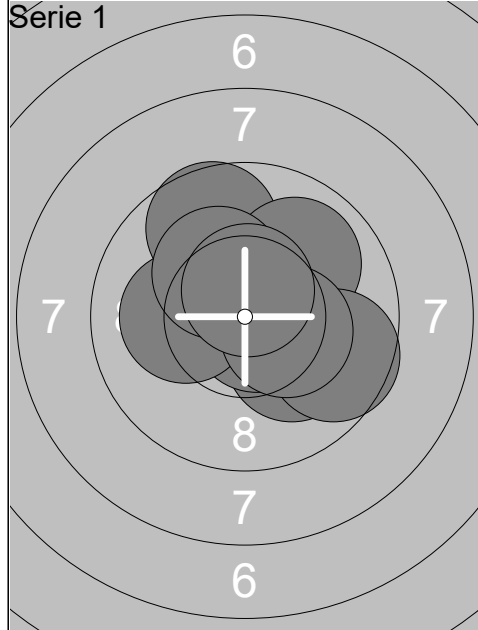
1:	10.8x ↑
2:	10.5x ↓
3:	10.2x ↘
4:	10.4x ↙
5:	10.2x ↙
6:	10.5x ↓
7:	10.6x ←
8:	10.5x →
9:	10.4x ↘
10:	10.2x ↖
Serie	104.3
Total	414.1



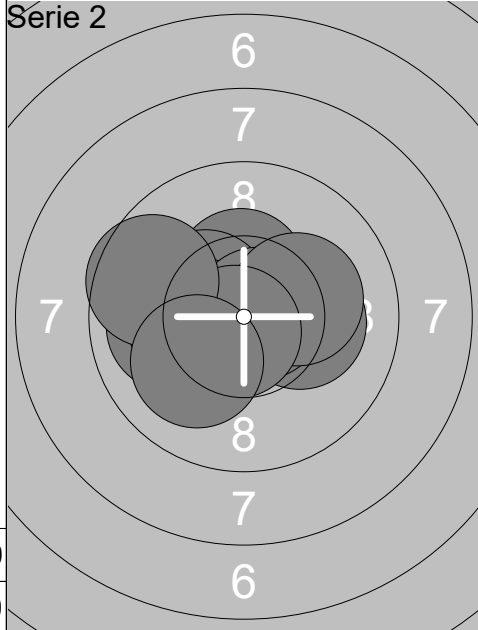
1:	9.8 ↑
2:	10.5x ↓
3:	10.3x ↖
4:	10.6x →
5:	10.7x ↖
6:	10.6x ↑
7:	10.6x ↗
8:	10.1 ↓
9:	10.3x ↗
10:	10.7x ↑
Serie	104.2
Total	518.3



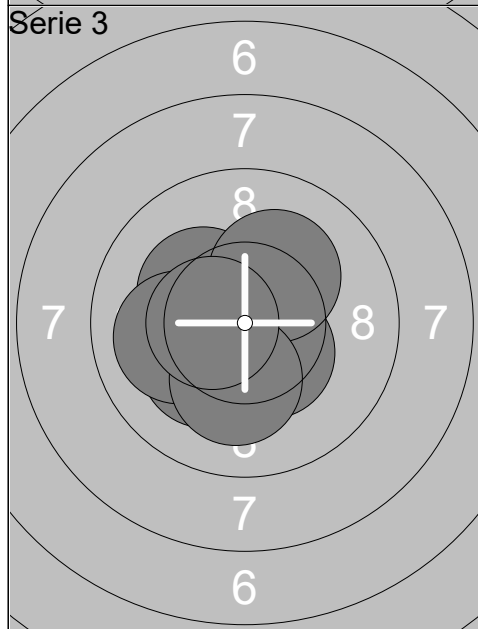
1:	10.4x ↖
2:	10.6x ↗
3:	10.6x ←
4:	10.7x ↘
5:	10.2x ←
6:	10.5x ←
7:	10.7x ↗
8:	10.6x ↙
9:	10.7x ↓
10:	10.2x ↗
Serie	105.2
Total	623.5



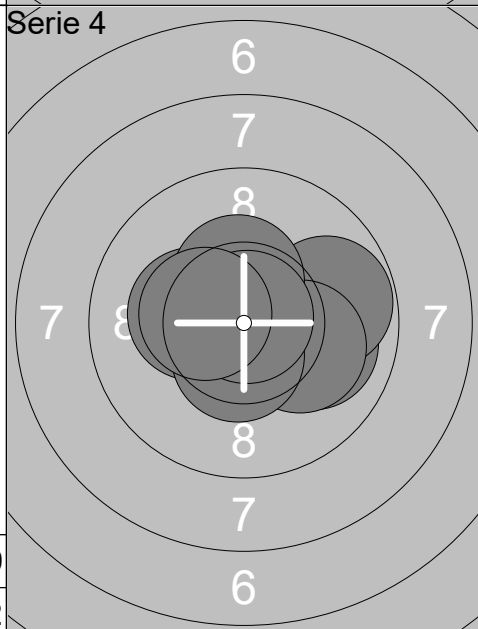
1:	10.7x ↗
2:	9.7 ↗
3:	10.1 ↘
4:	10.7x ↘
5:	9.9 ↗
6:	9.6 ➡
7:	10.1 ←
8:	10.3x ➡
9:	10.2x ↖
10:	10.6x ↗
Serie	101.9
Total	101.9



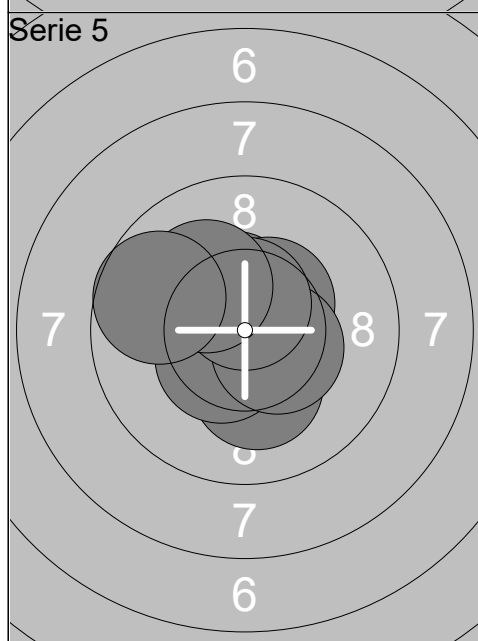
1:	9.9 ←
2:	10.2x ➡
3:	10.4x ↗
4:	10.3x ↖
5:	10.3x ←
6:	10.7x ➡
7:	10.2x ➡
8:	10.7x ↘
9:	9.6 ←
10:	10.1 ↘
Serie	102.4
Total	204.3



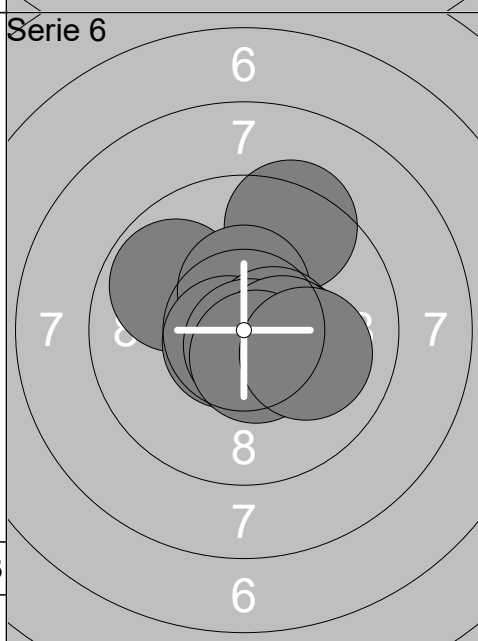
1:	10.5x ←
2:	10.4x ↘
3:	10.3x ←
4:	10.2x ↘
5:	10.5x ↖
6:	10.2x ↖
7:	10.0 ←
8:	10.2x ↗
9:	10.1 ↓
10:	10.5x ←
Serie	102.9
Total	307.2



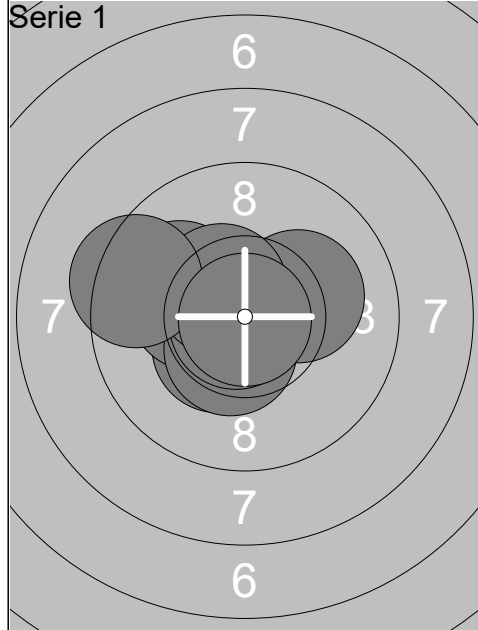
1:	10.2x ←
2:	10.0 ➡
3:	10.8x ↘
4:	10.6x ↗
5:	9.8 ➡
6:	10.1 ➡
7:	10.5x ↓
8:	10.4x ↗
9:	10.8x ↗
10:	10.4x ←
Serie	103.6
Total	410.8



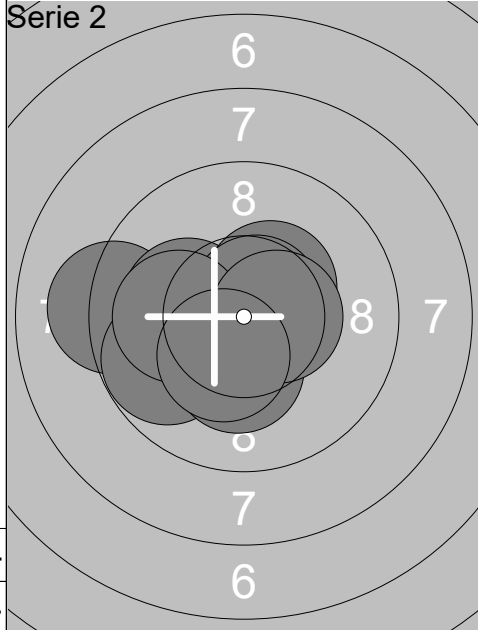
1:	10.5x ↗
2:	10.6x ←
3:	10.4x ↗
4:	10.4x ↘
5:	10.2x ↓
6:	10.4x ↘
7:	10.4x ➡
8:	10.6x ↗
9:	10.1 ↖
10:	9.7 ←
Serie	103.3
Total	514.1



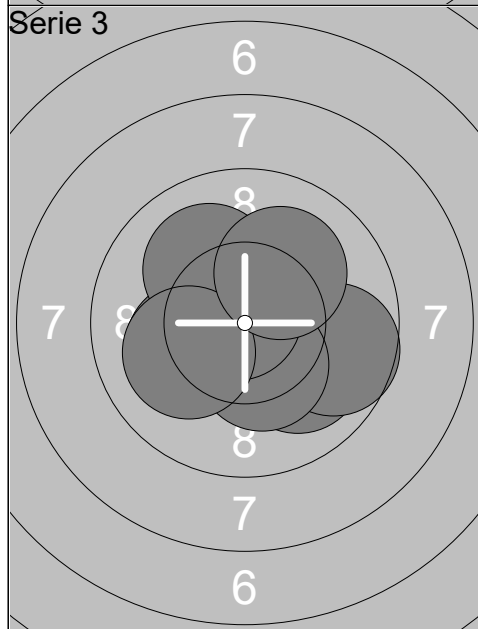
1:	9.8 ↖
2:	9.4 ↗
3:	10.4x ↗
4:	10.7x ↖
5:	10.5x ➡
6:	10.7x ↓
7:	10.3x ➡
8:	10.4x ➡
9:	10.5x ↓
10:	10.0 ➡
Serie	102.7
Total	616.8



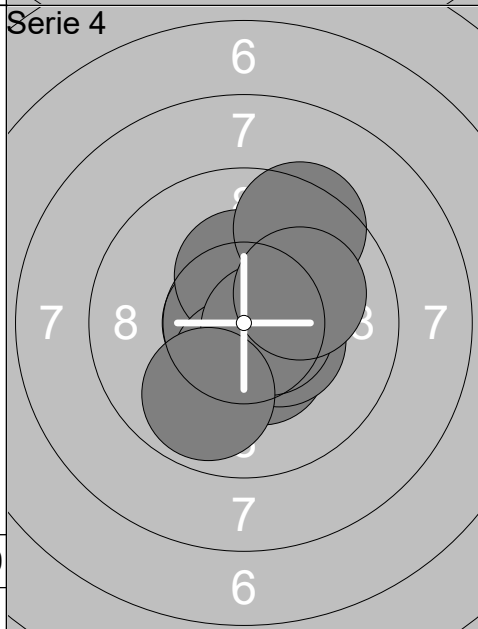
1:	10.4x ↘
2:	9.9 ←
3:	10.6x ↘
4:	10.2x →
5:	10.3x ←
6:	10.4x ↘
7:	10.8x ←
8:	10.5x ↘
9:	9.4 ←
10:	10.9x ↓
Serie	103.4
Total	103.4



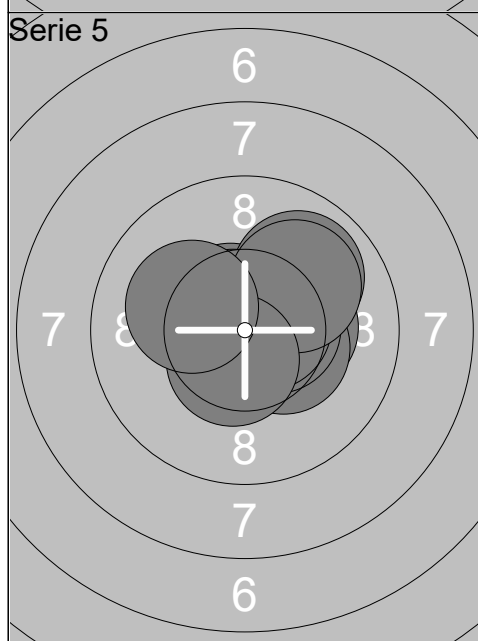
1:	10.4x ←
2:	9.2 ←
3:	10.2x ←
4:	10.4x ↗
5:	9.7 ←
6:	10.7x ↗
7:	10.2x ↓
8:	10.1 ←
9:	10.5x →
10:	10.3x ↘
Serie	101.7
Total	205.1



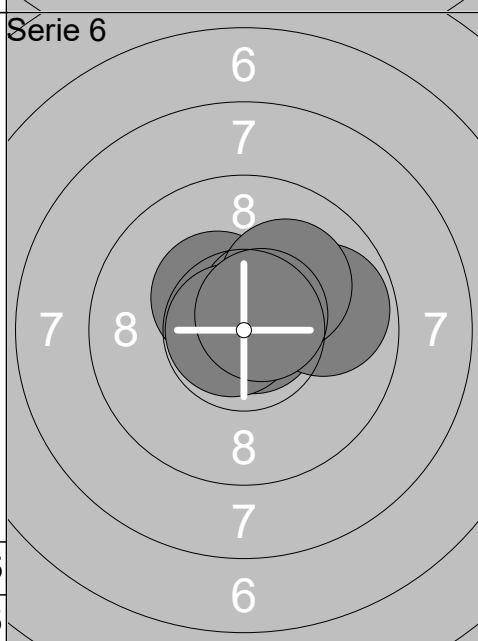
1:	10.5x ↘
2:	10.1 ←
3:	10.0 ↓
4:	9.7 →
5:	10.3x ↓
6:	10.4x ↑
7:	10.7x ↗
8:	10.1 ↗
9:	10.1 ←
10:	10.1 ↗
Serie	102.0
Total	307.1



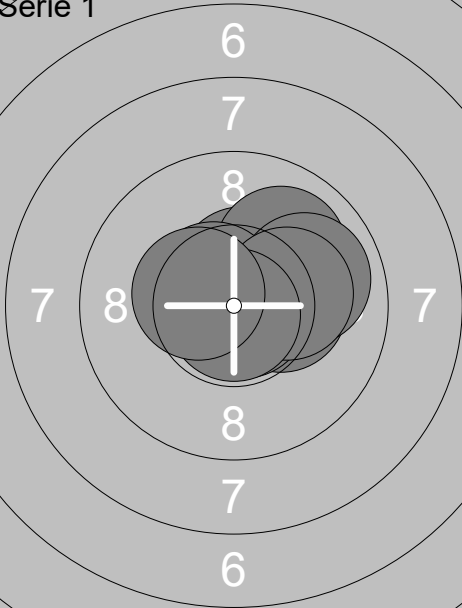
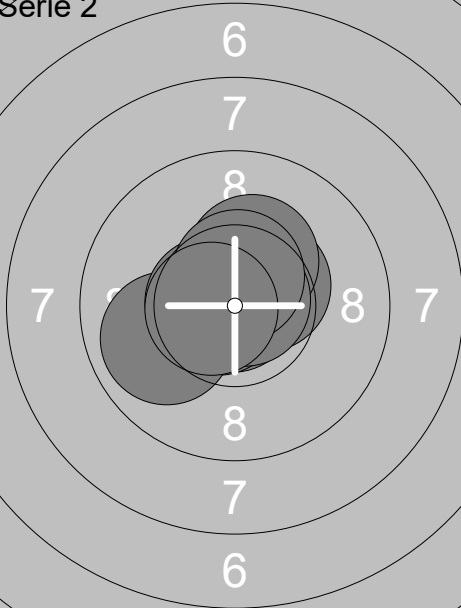
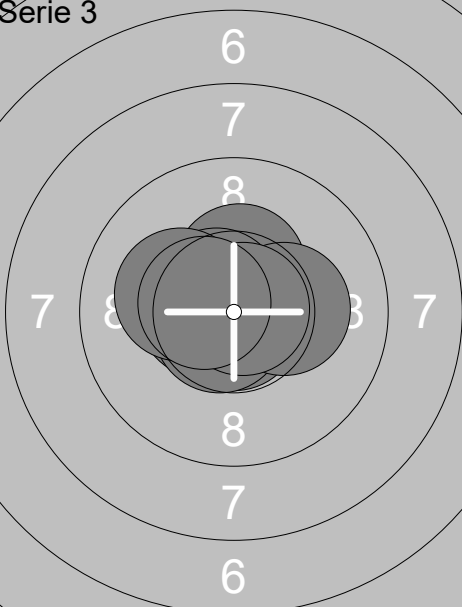
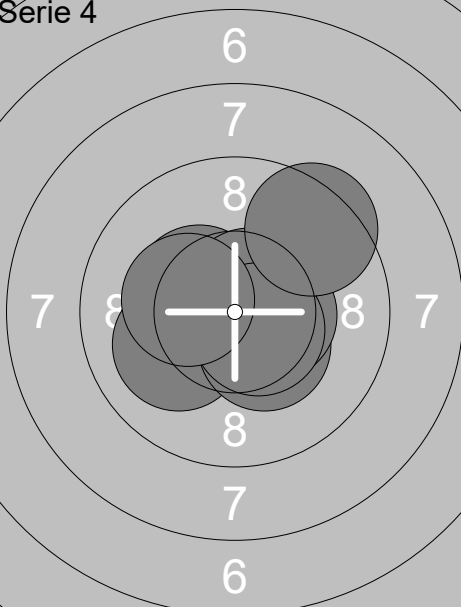
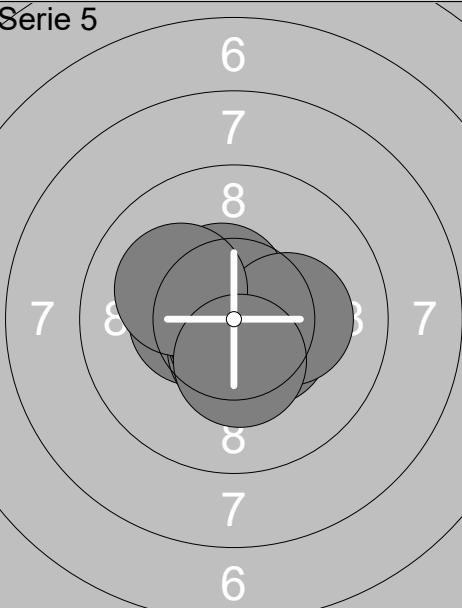
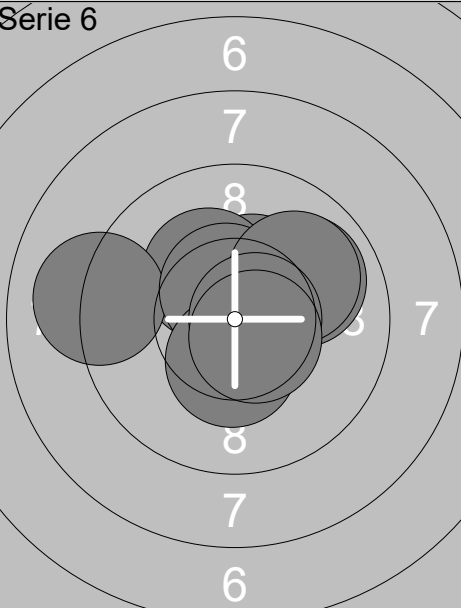
1:	10.7x →
2:	10.7x ←
3:	10.3x ↑
4:	10.4x ↓
5:	9.4 ↗
6:	10.4x ↓
7:	10.4x →
8:	10.6x →
9:	10.1 ↗
10:	9.9 ↓
Serie	102.9
Total	410.0

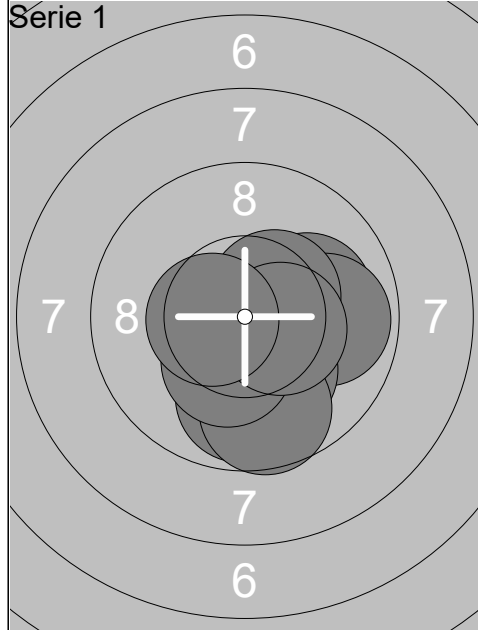


1:	10.3x →
2:	10.3x →
3:	10.6x ↘
4:	10.5x →
5:	10.6x →
6:	9.9 ↗
7:	10.7x ↘
8:	10.0 ↗
9:	10.5x ↓
10:	10.1 ←
Serie	103.5
Total	513.5

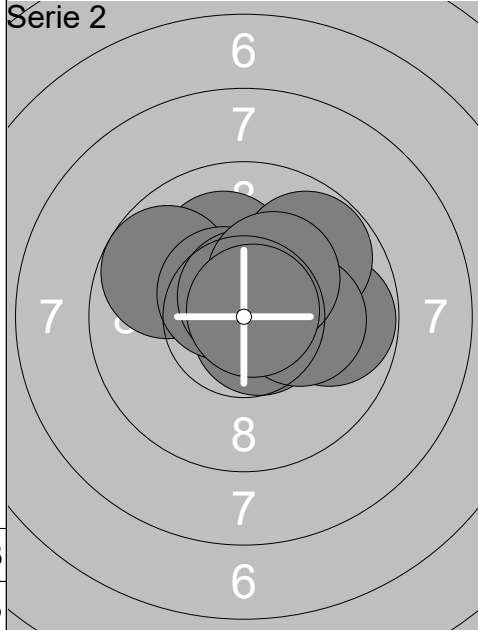


1:	10.5x ↘
2:	10.7x ↑
3:	10.3x ↘
4:	10.7x ↗
5:	10.8x →
6:	9.8 →
7:	10.5x ↗
8:	10.8x ←
9:	10.1 ↗
10:	10.6x ↗
Serie	104.8
Total	618.3

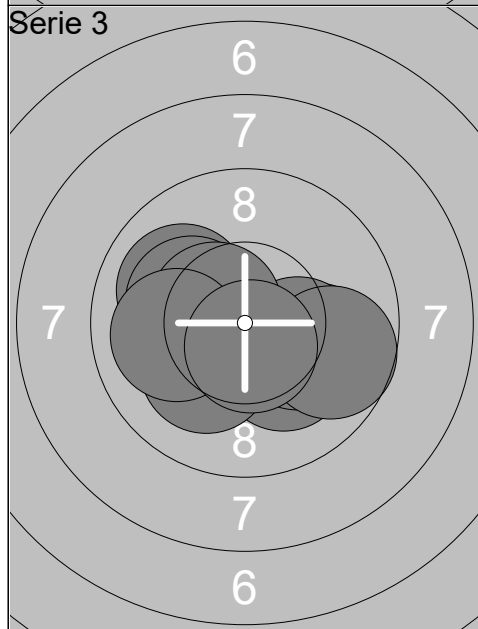
<p>Serie 1</p> 	<p>1: 10.5x ↑ 2: 10.3x → 3: 10.0 → 4: 10.0 ↗ 5: 10.8x ↘ 6: 9.9 → 7: 10.6x ↖ 8: 10.2x → 9: 10.8x ↓ 10: 10.4x ←</p> <p>Serie 103.5 Total 103.5</p>	<p>Serie 2</p> 	<p>1: 10.4x ↗ 2: 10.4x ↗ 3: 10.3x ↗ 4: 10.9x ← 5: 10.7x ← 6: 10.8x ↗ 7: 9.9 ← 8: 10.6x ← 9: 10.5x ↑ 10: 10.6x ←</p> <p>Serie 105.1 Total 208.6</p>
<p>Serie 3</p> 	<p>1: 10.4x ↑ 2: 10.8x ← 3: 10.5x ← 4: 10.8x ↓ 5: 10.6x ↘ 6: 10.3x → 7: 10.6x ↖ 8: 10.8x → 9: 10.2x ← 10: 10.5x ←</p> <p>Serie 105.5 Total 314.1</p>	<p>Serie 4</p> 	<p>1: 10.0 ← 2: 10.3x ↘ 3: 10.5x ↗ 4: 10.6x → 5: 10.4x ↖ 6: 10.4x → 7: 10.6x ↗ 8: 10.5x ↘ 9: 9.4 ↗ 10: 10.3x ←</p> <p>Serie 103.0 Total 417.1</p>
<p>Serie 5</p> 	<p>1: 10.9x ← 2: 10.4x ← 3: 10.5x ↓ 4: 10.7x ↓ 5: 10.4x ↘ 6: 10.8x ↓ 7: 10.5x ↗ 8: 10.2x → 9: 10.1 ← 10: 10.4x ↓</p> <p>Serie 104.9 Total 522.0</p>	<p>Serie 6</p> 	<p>1: 10.8x → 2: 10.3x ↗ 3: 10.2x ↖ 4: 9.1 ← 5: 9.9 → 6: 10.5x ↗ 7: 10.4x ↓ 8: 10.0 → 9: 10.7x → 10: 10.6x ↘</p> <p>Serie 102.5 Total 624.5</p>



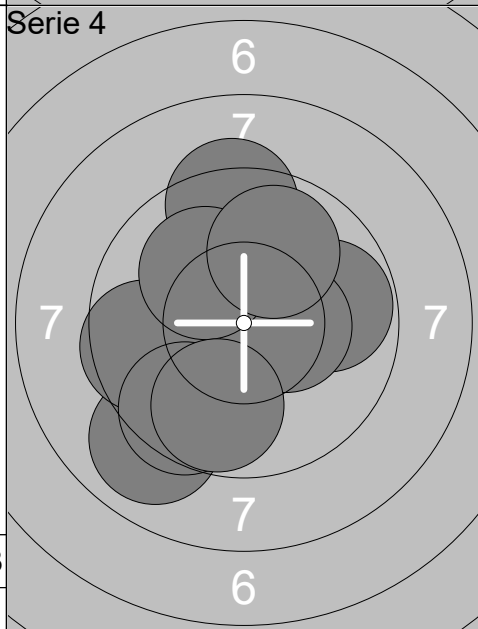
1:	10.0 →
2:	10.2x →
3:	9.8 →
4:	10.1 ↓
5:	9.9 ↓
6:	9.7 ↓
7:	10.4x ↗
8:	10.3x ↓
9:	10.4x →
10:	10.5x ←
Serie 101.3	
Total 101.3	



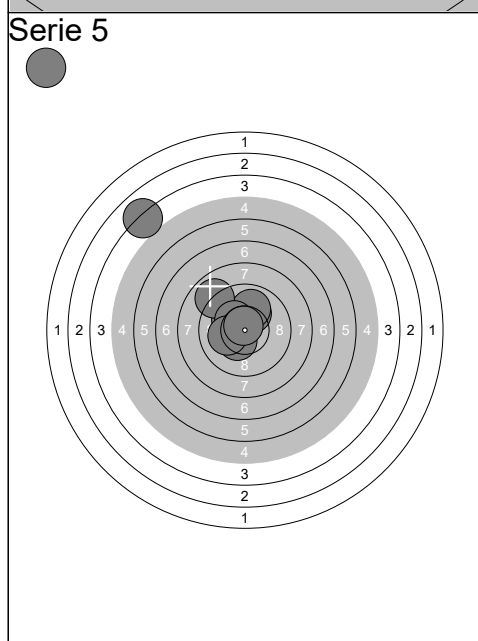
1:	10.1 ↗
2:	9.8 →
3:	9.7 ↖
4:	10.7x ↘
5:	9.8 ↗
6:	10.5x ↖
7:	10.6x ↑
8:	10.2x →
9:	10.3x ↗
10:	10.8x ↗
Serie 102.5	
Total 203.8	



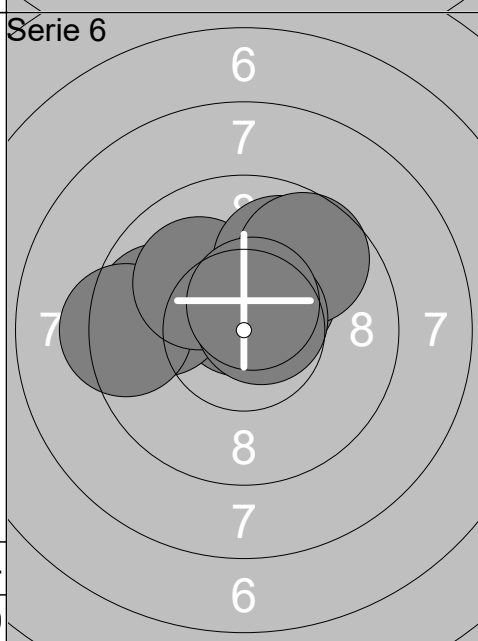
1:	9.9 →
2:	10.0 ↖
3:	10.2x ↘
4:	10.1 ↓
5:	10.2x ↖
6:	10.1 →
7:	9.7 →
8:	10.5x ↖
9:	10.0 ←
10:	10.6x ↓
Serie 101.3	
Total 305.1	



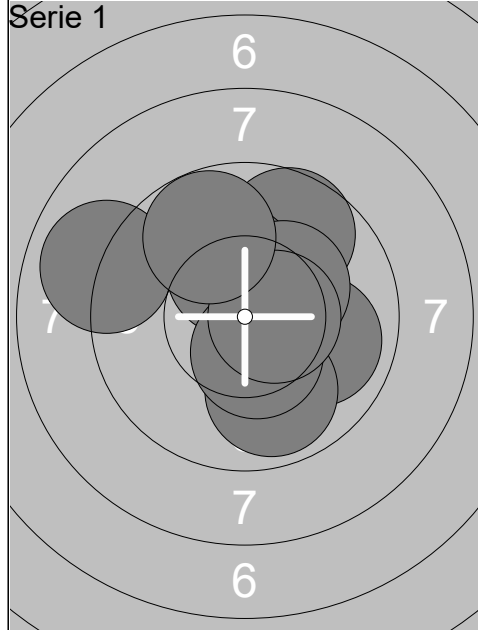
1:	10.1 ↑
2:	9.0 ↓
3:	9.8 →
4:	10.4x →
5:	9.6 ←
6:	9.3 ↑
7:	10.1 ↖
8:	9.5 ↓
9:	9.7 ↓
10:	9.9 ↗
Serie 97.4	
Total 402.5	



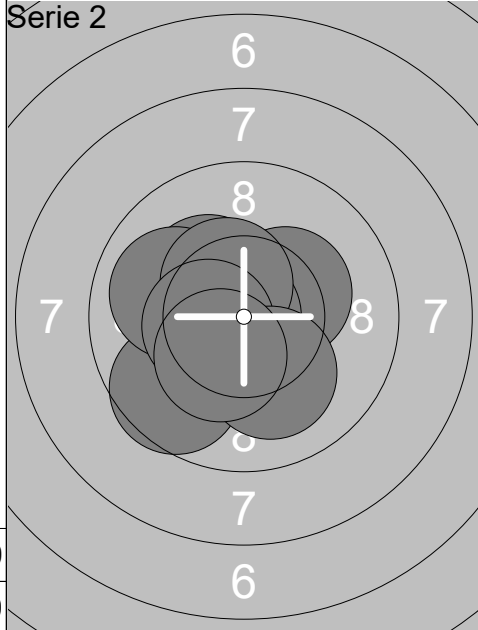
1:	10.1 ↗
2:	4.0 ↖
3:	10.3x ↘
4:	10.1 ↖
5:	9.9 ↑
6:	0.0 ↗
7:	8.9 ↗
8:	10.3x ↖
9:	10.1 ←
10:	10.7x ↗
Serie 84.4	
Total 486.9	



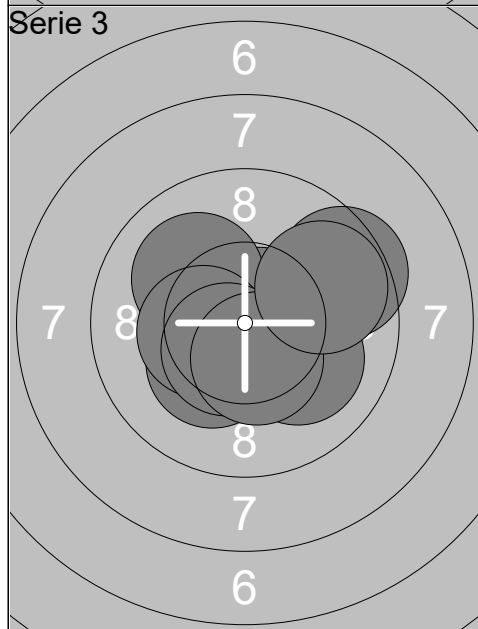
1:	10.3x ↑
2:	10.7x ↑
3:	10.3x ↗
4:	9.8 ←
5:	9.3 ←
6:	10.1 ↖
7:	9.9 ↗
8:	9.7 ↗
9:	10.7x ↗
10:	10.6x ↑
Serie 101.4	
Total 588.3	



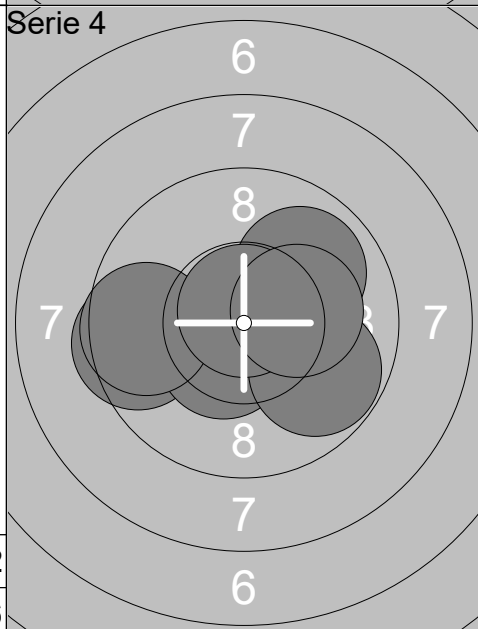
1:	9.9	➔
2:	8.9	↵
3:	10.3x	⬆
4:	9.7	⬆
5:	10.3x	⬆
6:	10.3x	➔
7:	9.9	↘
8:	10.4x	↘
9:	10.5x	➔
10:	9.7	⬆
Serie		99.9
Total		99.9



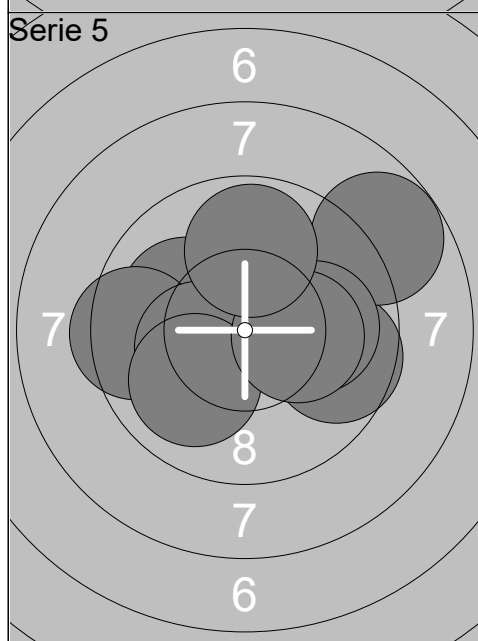
1:	10.3x	➔
2:	10.4x	↵
3:	9.6	↘
4:	10.2x	↘
5:	10.8x	↵
6:	10.0	↵
7:	10.4x	⬆
8:	10.4x	↵
9:	10.1	↘
10:	10.3x	↘
Serie		102.5
Total		202.4



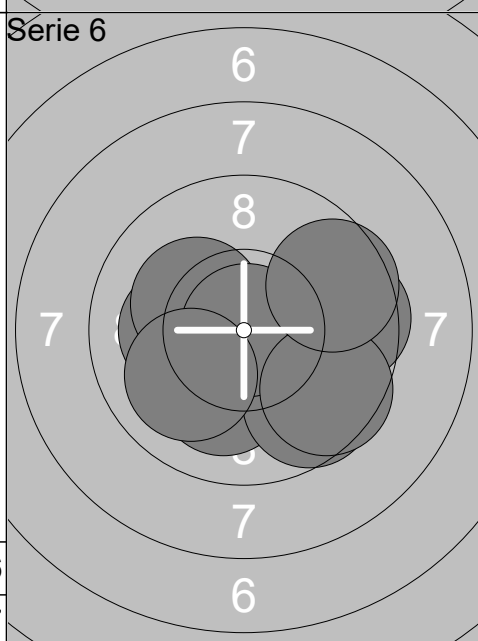
1:	9.4	➔
2:	10.0	↘
3:	10.7x	➔
4:	10.6x	↘
5:	10.1	↘
6:	10.3x	↘
7:	10.4x	↵
8:	10.5x	↘
9:	10.4x	↘
10:	9.8	➔
Serie		102.2
Total		304.6



1:	10.6x	➔
2:	10.2x	➔
3:	10.5x	↘
4:	9.5	↵
5:	10.4x	↘
6:	9.6	↵
7:	9.8	➔
8:	9.9	⬆
9:	10.8x	⬆
10:	10.2x	➔
Serie		101.5
Total		406.1



1:	9.6	➔
2:	8.8	➔
3:	10.4x	➔
4:	10.0	↵
5:	9.4	↵
6:	10.0	➔
7:	10.3x	↵
8:	10.0	↘
9:	10.2x	➔
10:	9.9	⬆
Serie		98.6
Total		504.7



1:	10.1	↘
2:	10.7x	↵
3:	10.1	↵
4:	10.2x	↘
5:	9.6	➔
6:	9.6	↘
7:	10.9x	➔
8:	10.0	↘
9:	9.6	↘
10:	9.6	➔
Serie		100.4
Total		605.1

Hold	Skive	Mikkel Damholt	
1	19		
Day 1 Denmark Open Air		Trehøje Skytteforening	M
08.03.2019		Day 1 Denmark Open Air	Denmark Open Air
Serie 1		1: 10.0 → 2: 10.5x ↗ 3: 10.5x ↓ 4: 10.6x ↓ 5: 10.5x → 6: 9.8 → 7: 10.8x ↗ 8: 10.4x ↗ 9: 10.3x → 10: 10.4x ↘ Serie 103.8 Total 103.8	Serie 2 1: 10.2x ↗ 2: 10.5x ↓ 3: 10.8x ↙ 4: 10.2x ← 5: 10.5x ↓ 6: 10.5x ↗ 7: 10.3x ← 8: 10.2x ↓ 9: 10.7x → 10: 9.8 ↙ Serie 103.7 Total 207.5
Serie 3		1: 10.5x ← 2: 10.4x → 3: 10.6x ↓ 4: 10.3x ↓ 5: 10.8x → 6: 10.3x ↑ 7: 10.5x ← 8: 10.3x ↓ 9: 10.7x ↗ 10: 9.9 ← Serie 104.3 Total 311.8	Serie 4 1: 9.8 ← 2: 10.5x ↙ 3: 10.7x → 4: 10.3x ← 5: 10.3x → 6: 10.6x ↗ 7: 10.1 ↗ 8: 10.1 ↓ 9: 10.2x ↗ 10: 10.8x ← Serie 103.4 Total 415.2
Serie 5		1: 10.6x ↙ 2: 10.4x ↑ 3: 10.7x ← 4: 10.4x ↑ 5: 10.5x ↗ 6: 10.5x ↑ 7: 10.4x ↗ 8: 10.3x ↓ 9: 10.2x → 10: 10.4x ↘ Serie 104.4 Total 519.6	Serie 6 1: 10.8x ← 2: 10.8x ↗ 3: 10.4x ↓ 4: 10.4x → 5: 10.2x ↓ 6: 10.7x ← 7: 10.4x ← 8: 10.5x ↗ 9: 10.4x ↓ 10: 9.5 ↗ Serie 104.1 Total 623.7