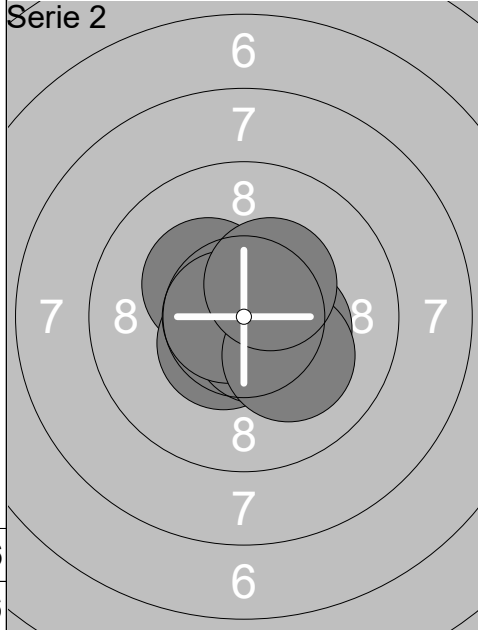
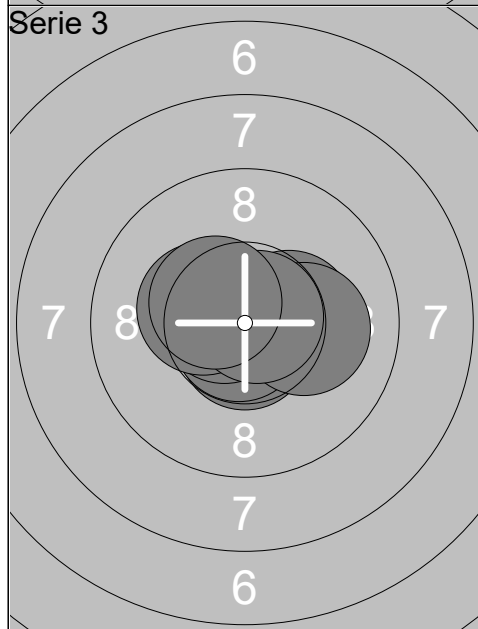


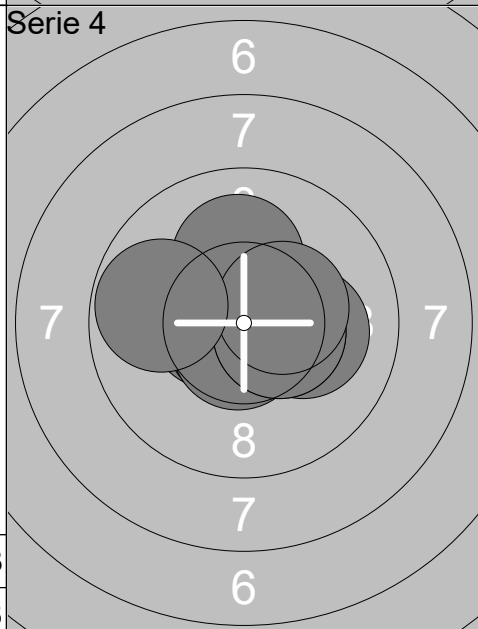
1:	10.7x ↑
2:	10.2x ↗
3:	10.4x ↓
4:	10.8x ↓
5:	10.2x ↖
6:	10.4x ←
7:	10.6x →
8:	10.0 ↗
9:	10.0 ←
10:	10.3x ↑
Serie	103.6
Total	103.6



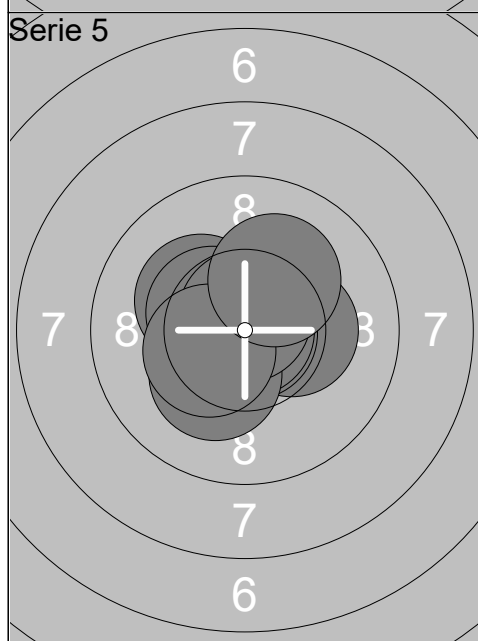
1:	10.3x →
2:	10.7x ↘
3:	10.7x ←
4:	10.3x ↖
5:	10.5x ↓
6:	10.6x ↘
7:	10.6x →
8:	10.7x ←
9:	10.1 ↘
10:	10.4x ↗
Serie	104.9
Total	208.5



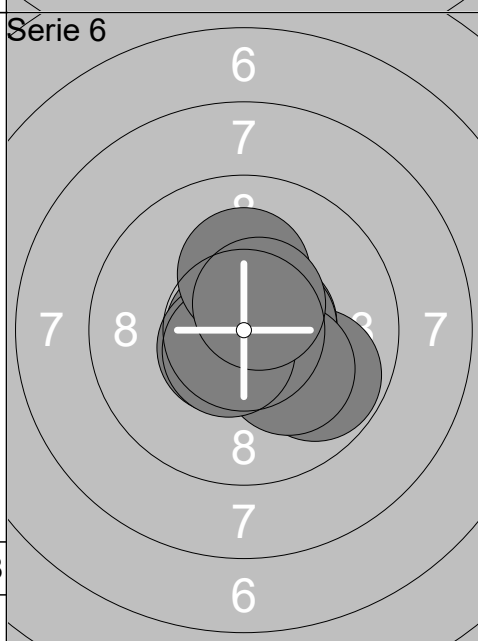
1:	10.7x →
2:	10.8x ←
3:	10.6x ↓
4:	10.8x ↓
5:	10.6x ←
6:	10.3x ←
7:	10.3x →
8:	10.1 →
9:	10.7x ↗
10:	10.4x ↖
Serie	105.3
Total	313.8



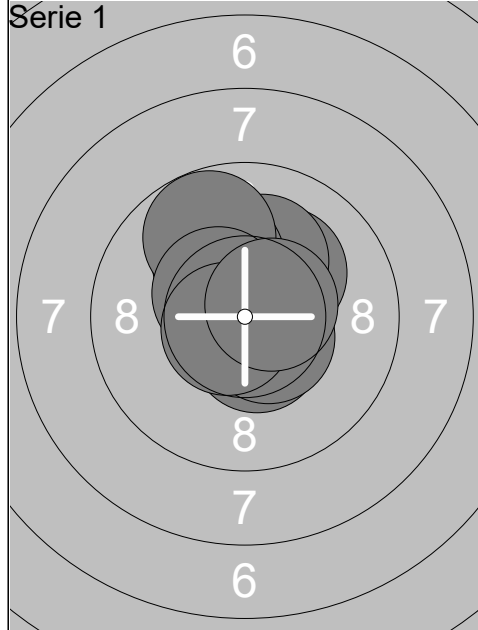
1:	10.5x ↑
2:	10.5x ←
3:	10.7x ↙
4:	10.6x ↓
5:	10.1 →
6:	10.4x →
7:	10.4x →
8:	10.1 ↑
9:	10.4x →
10:	9.8 ←
Serie	103.5
Total	417.3



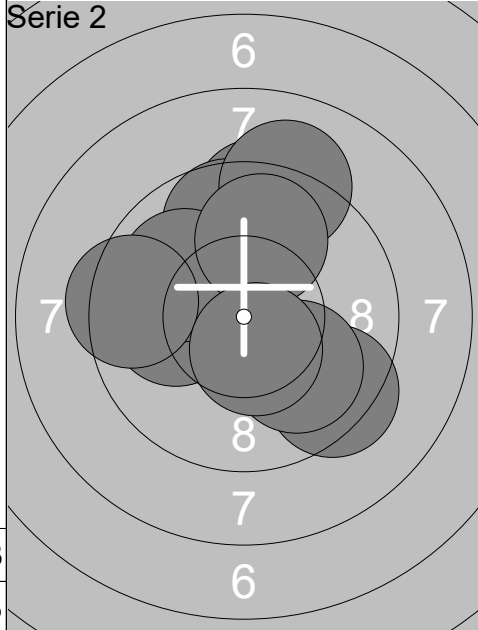
1:	10.3x →
2:	10.8x ↘
3:	10.7x ←
4:	10.2x ↖
5:	10.9x →
6:	10.4x ↖
7:	10.2x ↙
8:	10.8x ↑
9:	10.4x ↙
10:	10.1 ↗
Serie	104.8
Total	522.1



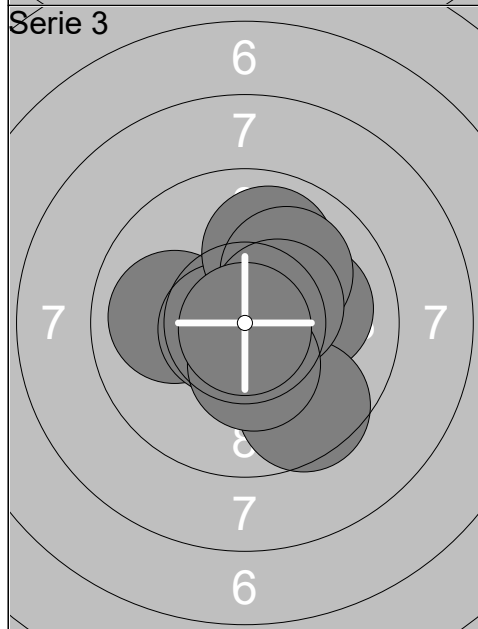
1:	9.8 ↘
2:	10.7x ↗
3:	10.6x →
4:	10.8x ←
5:	10.5x ↙
6:	10.6x →
7:	10.1 ↘
8:	10.6x ↙
9:	10.2x ↑
10:	10.5x ↗
Serie	104.4
Total	626.5



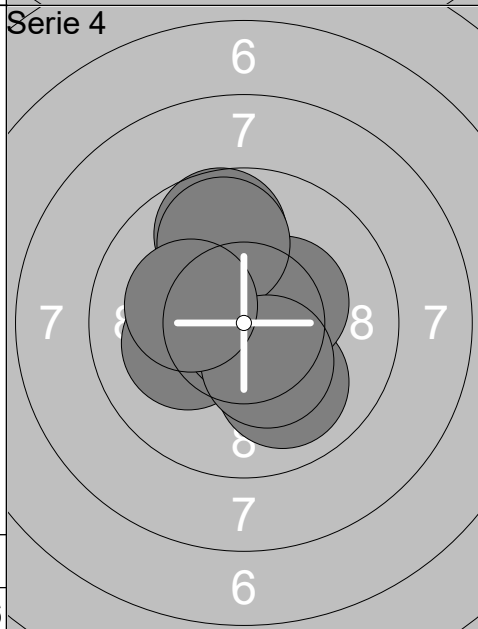
1:	10.2x ↗
2:	10.5x ↓
3:	10.5x ↘
4:	10.5x ↑
5:	10.1 ↑
6:	10.1 ↗
7:	9.8 ↗
8:	10.4x ↖
9:	10.7x ↙
10:	10.5x →
Serie	103.3
Total	103.3



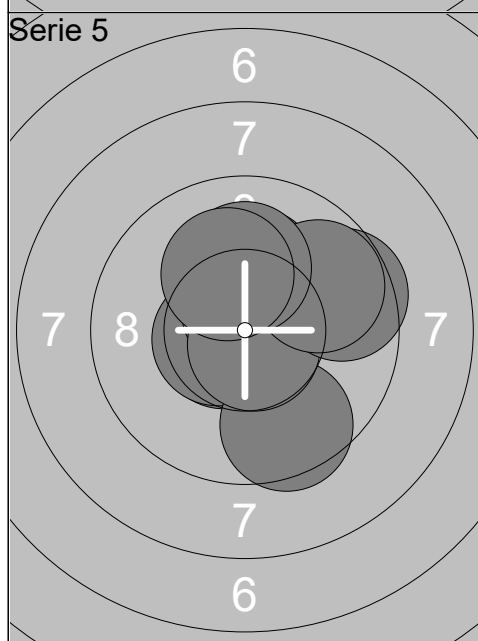
1:	9.4 ↑
2:	9.7 ↑
3:	10.0 ←
4:	9.9 ↖
5:	9.1 ↑
6:	9.9 ↑
7:	9.4 ↘
8:	9.4 ←
9:	9.9 ↘
10:	10.5x ↓
Serie	97.2
Total	200.5



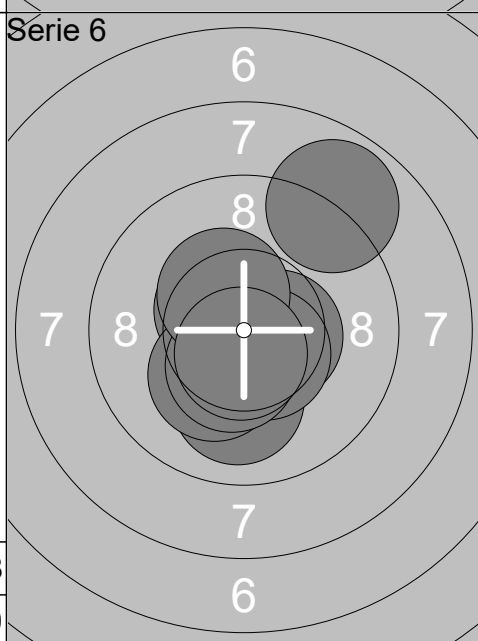
1:	10.3x →
2:	10.1 →
3:	9.5 ↓
4:	10.0 ←
5:	10.6x ↙
6:	9.9 ↑
7:	10.0 ↗
8:	10.4x →
9:	10.4x ↓
10:	10.9x ↓
Serie	102.1
Total	302.6



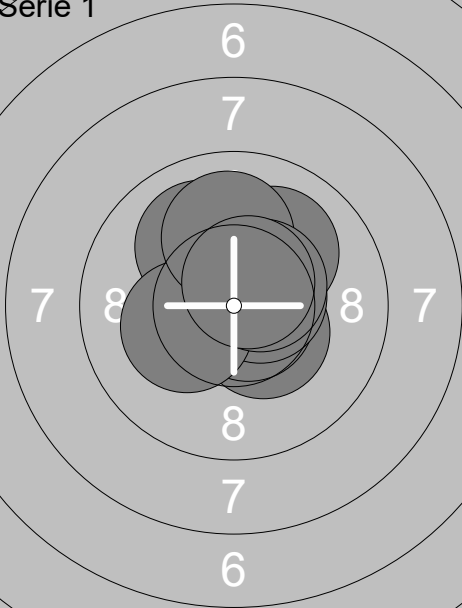
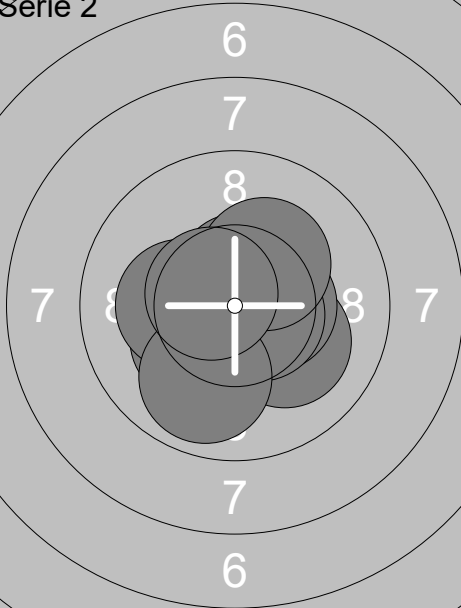
1:	10.9x ↖
2:	10.0 ↓
3:	10.1 ←
4:	10.5x ↑
5:	10.8x ↓
6:	10.3x →
7:	9.7 ↑
8:	9.8 ↑
9:	10.3x ↓
10:	10.2x ↖
Serie	102.6
Total	405.2

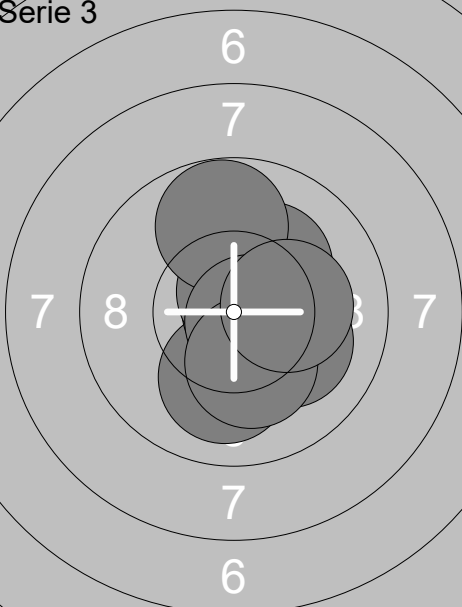
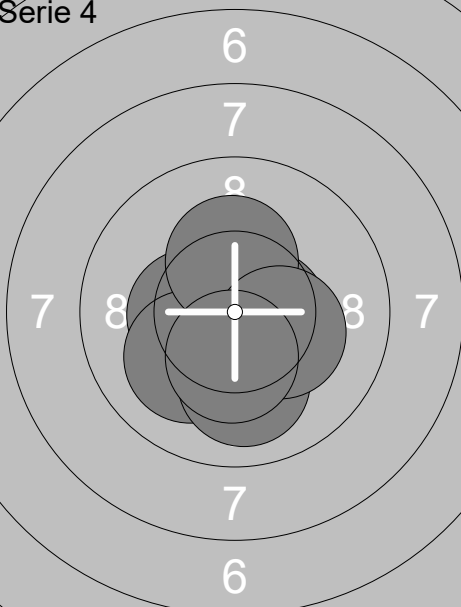


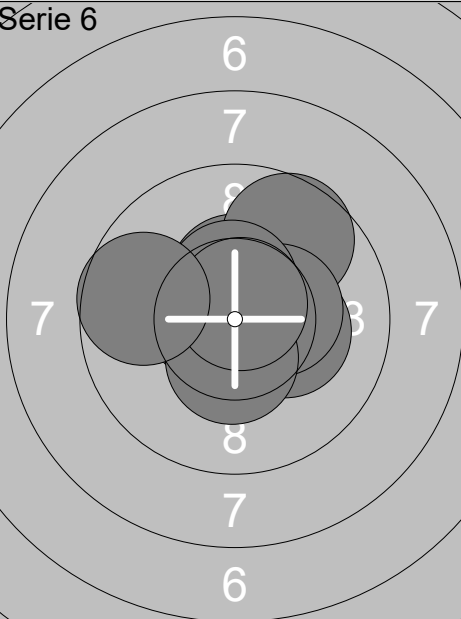
1:	10.6x ↙
2:	10.6x ↙
3:	10.2x ↑
4:	10.7x ↑
5:	9.5 ↓
6:	10.7x ↓
7:	9.5 →
8:	9.8 →
9:	10.1 ↑
10:	10.1 ↑
Serie	101.8
Total	507.0

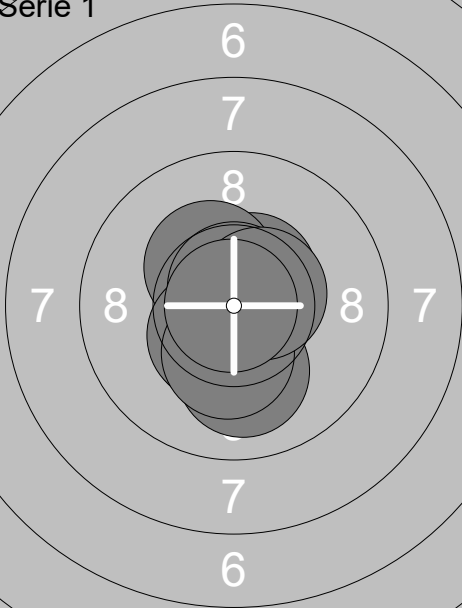
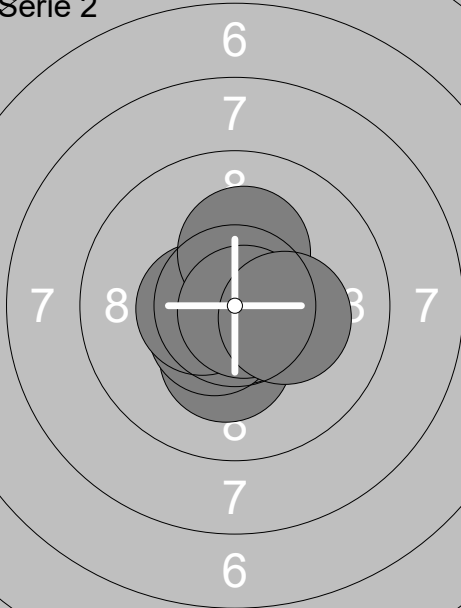


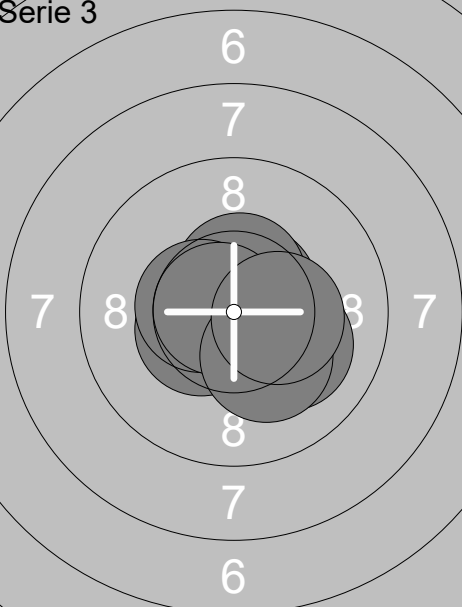
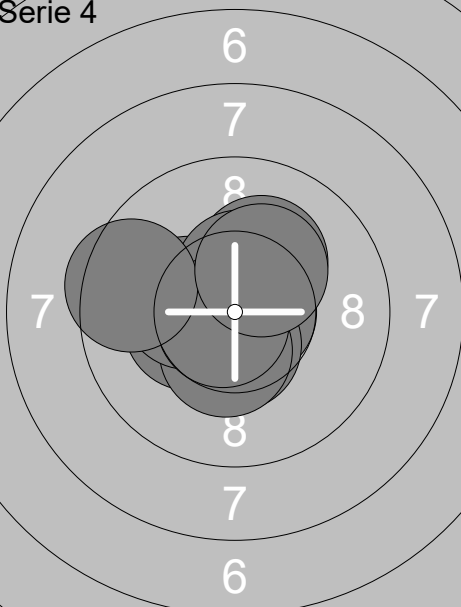
1:	10.5x ↖
2:	10.5x →
3:	10.0 ↓
4:	10.5x ↖
5:	10.2x ↓
6:	10.5x ↓
7:	10.4x ↓
8:	10.4x ↖
9:	8.9 ↗
10:	10.6x ↓
Serie	102.5
Total	609.5

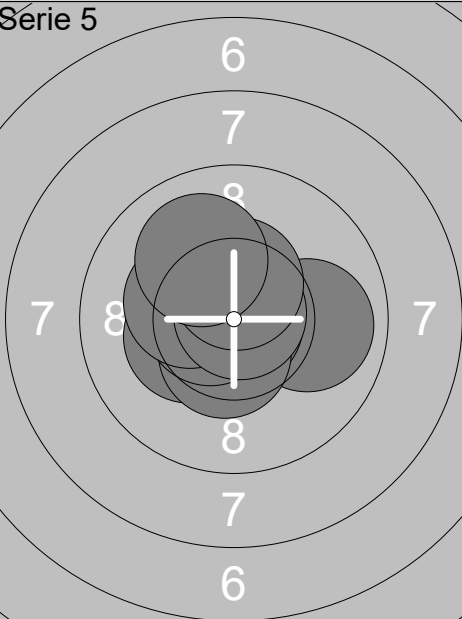
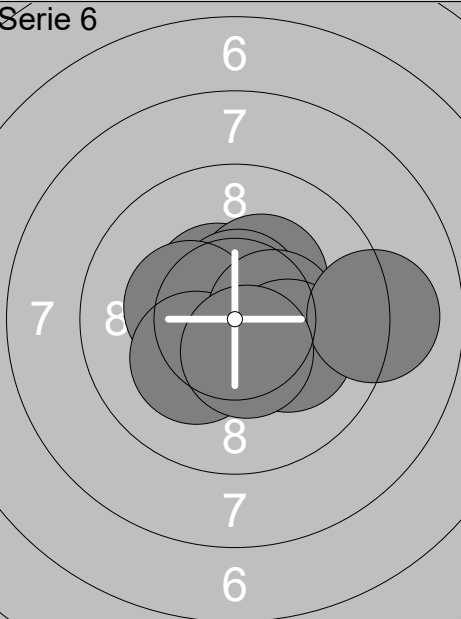
<p>Serie 1</p> 	<p>1: 10.4x ↘ 2: 10.7x ↖ 3: 10.0 ↗ 4: 10.7x ↘ 5: 10.0 ↗ 6: 10.5x → 7: 10.2x ← 8: 10.0 ↑ 9: 10.5x ↗ 10: 10.5x ↗</p> <p>Serie 103.5 Total 103.5</p>	<p>Serie 2</p> 	<p>1: 10.1 ↘ 2: 10.5x → 3: 10.8x ↗ 4: 10.2x ↘ 5: 10.2x ← 6: 10.6x ↑ 7: 10.6x → 8: 10.3x ↗ 9: 9.9 ↓ 10: 10.6x ↖</p> <p>Serie 103.8 Total 207.3</p>
--	---	--	---

<p>Serie 3</p> 	<p>1: 10.1 ↓ 2: 10.6x → 3: 10.7x → 4: 10.2x ↗ 5: 10.6x ↗ 6: 10.1 ↘ 7: 9.8 ↑ 8: 10.7x ↘ 9: 10.2x ↓ 10: 10.2x →</p> <p>Serie 103.2 Total 310.5</p>	<p>Serie 4</p> 	<p>1: 10.4x ↘ 2: 10.5x ↓ 3: 10.6x ↘ 4: 10.4x ← 5: 10.1 ↘ 6: 10.0 ↓ 7: 10.6x → 8: 10.2x ↑ 9: 10.3x → 10: 10.3x ↓</p> <p>Serie 103.4 Total 413.9</p>
---	--	---	--

<p>Serie 5</p> 	<p>1: 10.6x ↗ 2: 10.7x ← 3: 10.1 ↘ 4: 10.7x ↘ 5: 10.6x ↓ 6: 10.4x ↘ 7: 10.8x ↗ 8: 10.8x ↗ 9: 10.4x ↘ 10: 9.8 ↓</p> <p>Serie 104.9 Total 518.8</p>	<p>Serie 6</p> 	<p>1: 10.4x ↑ 2: 10.4x → 3: 9.6 ↗ 4: 10.6x ← 5: 10.2x → 6: 10.4x → 7: 10.5x ↑ 8: 10.4x ↓ 9: 10.7x ↗ 10: 9.7 ←</p> <p>Serie 102.9 Total 621.7</p>
--	---	--	--

<p>Serie 1</p> 	<p>1: 10.0 ↓ 2: 10.5x ↗ 3: 10.3x ↘ 4: 10.4x ↘ 5: 10.6x ↓ 6: 10.4x ↘ 7: 10.7x ↑ 8: 10.3x ↓ 9: 10.5x → 10: 10.9x ←</p> <p>Serie 104.6 Total 104.6</p>	<p>Serie 2</p> 	<p>1: 10.6x → 2: 10.8x ↖ 3: 10.2x ↓ 4: 10.8x ← 5: 10.8x ↓ 6: 10.5x ↘ 7: 10.5x ← 8: 10.2x ↑ 9: 10.8x ↘ 10: 10.2x →</p> <p>Serie 105.4 Total 210.0</p>
--	---	--	--

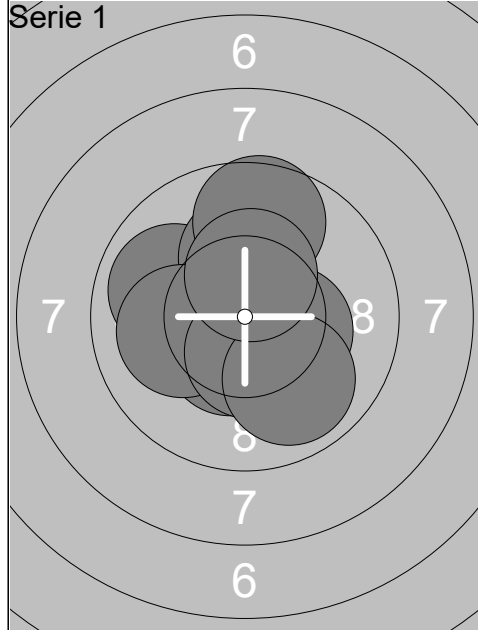
<p>Serie 3</p> 	<p>1: 10.8x ↑ 2: 10.8x ← 3: 10.4x ↙ 4: 10.6x ↗ 5: 10.5x ↑ 6: 10.5x ← 7: 10.7x ← 8: 10.1 ↘ 9: 10.2x ↓ 10: 10.3x →</p> <p>Serie 104.9 Total 314.9</p>	<p>Serie 4</p> 	<p>1: 10.7x → 2: 10.5x ↓ 3: 10.3x ← 4: 10.4x ↓ 5: 10.3x ← 6: 10.2x ↗ 7: 10.4x ↑ 8: 10.7x ↙ 9: 9.5 ← 10: 10.3x ↗</p> <p>Serie 103.3 Total 418.2</p>
---	---	---	--

<p>Serie 5</p> 	<p>1: 10.3x ← 2: 9.9 → 3: 10.9x ↘ 4: 10.5x ↓ 5: 10.4x ↖ 6: 10.6x ← 7: 10.3x ← 8: 10.8x ↗ 9: 10.5x ↑ 10: 10.0 ↖</p> <p>Serie 104.2 Total 522.4</p>	<p>Serie 6</p> 	<p>1: 10.4x ↖ 2: 10.3x ↗ 3: 10.6x ↑ 4: 10.6x ↓ 5: 10.3x ← 6: 10.2x ↘ 7: 10.4x → 8: 10.1 ↘ 9: 9.1 → 10: 10.5x ↓</p> <p>Serie 102.5 Total 624.9</p>
--	---	--	---

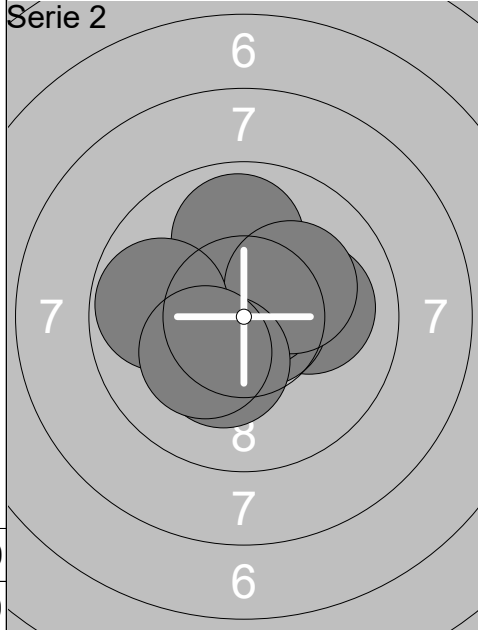
<p>Serie 1</p>	<p>1: 10.1 ← 2: 10.1 ← 3: 10.0 ↗ 4: 10.6x ↑ 5: 10.5x → 6: 10.1 ↗ 7: 10.1 → 8: 9.9 → 9: 10.3x → 10: 10.5x ←</p> <p>Serie 102.2 Total 102.2</p>	<p>Serie 2</p>	<p>1: 10.6x ↘ 2: 10.1 ↗ 3: 10.3x ↓ 4: 10.6x → 5: 10.5x → 6: 10.4x ↑ 7: 10.8x ↑ 8: 10.5x ↘ 9: 10.6x → 10: 10.1 →</p> <p>Serie 104.5 Total 206.7</p>
-----------------------	---	-----------------------	--

<p>Serie 3</p>	<p>1: 10.4x ↘ 2: 10.4x ↑ 3: 10.5x ↘ 4: 10.6x ↗ 5: 10.3x ↑ 6: 10.3x ↗ 7: 10.4x ↘ 8: 10.0 ↓ 9: 10.4x ↗ 10: 10.6x ↘</p> <p>Serie 103.9 Total 310.6</p>	<p>Serie 4</p>	<p>1: 10.8x ↗ 2: 10.4x ↘ 3: 10.2x ↘ 4: 10.5x ↘ 5: 10.3x ↘ 6: 10.9x ↓ 7: 10.6x ↓ 8: 10.0 ↙ 9: 10.0 → 10: 10.2x ↗</p> <p>Serie 103.9 Total 414.5</p>
-----------------------	---	-----------------------	--

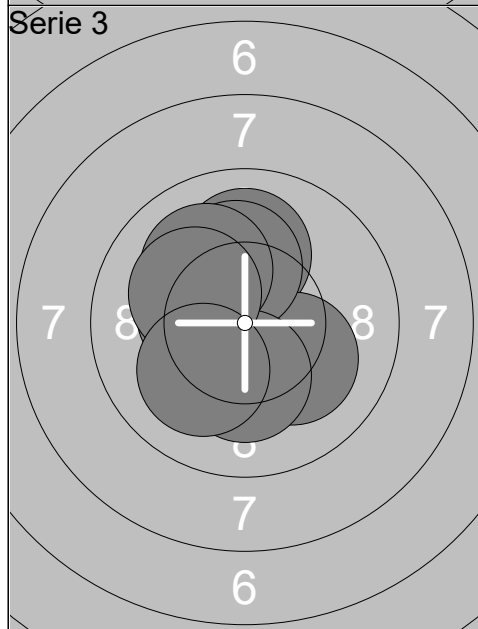
<p>Serie 5</p>	<p>1: 10.1 ↗ 2: 10.5x ↘ 3: 10.1 ← 4: 10.5x ↘ 5: 10.1 ↓ 6: 9.6 ← 7: 10.5x → 8: 10.9x ↘ 9: 10.2x ↗ 10: 10.1 →</p> <p>Serie 102.6 Total 517.1</p>	<p>Serie 6</p>	<p>1: 10.2x ↓ 2: 10.4x ↑ 3: 10.6x → 4: 10.2x ↗ 5: 10.2x ↗ 6: 10.0 → 7: 10.4x ↑ 8: 10.8x ↓ 9: 10.5x ↘ 10: 10.8x ↘</p> <p>Serie 104.1 Total 621.2</p>
-----------------------	--	-----------------------	---



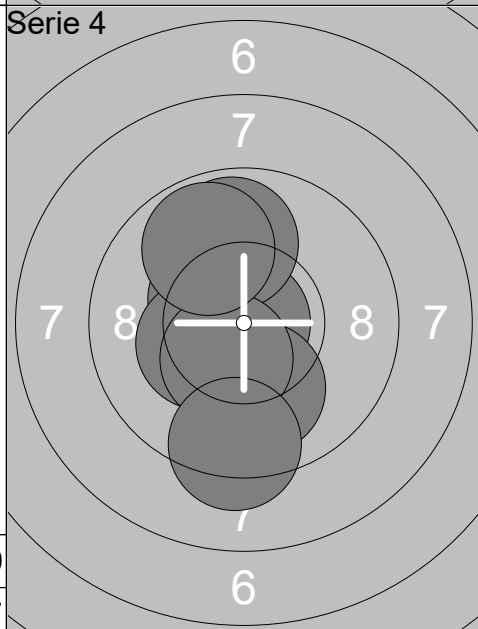
1:	10.4x ↘
2:	9.9 ←
3:	10.9x ↑
4:	10.3x →
5:	10.1 ↑
6:	9.6 ↑
7:	10.1 ←
8:	10.4x ↓
9:	9.9 ↘
10:	10.4x ↑
Serie	102.0
Total	102.0



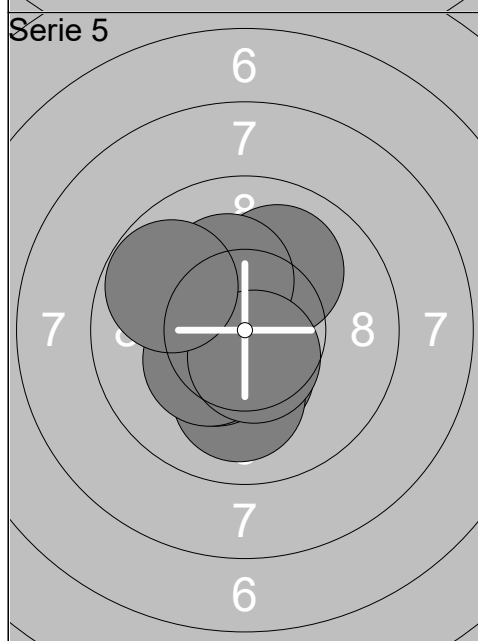
1:	10.1 →
2:	10.5x ↗
3:	10.7x →
4:	10.7x ↗
5:	10.5x ↑
6:	9.9 ↑
7:	10.2x ↗
8:	10.2x ↓
9:	9.8 ←
10:	10.2x ↘
Serie	102.8
Total	204.8



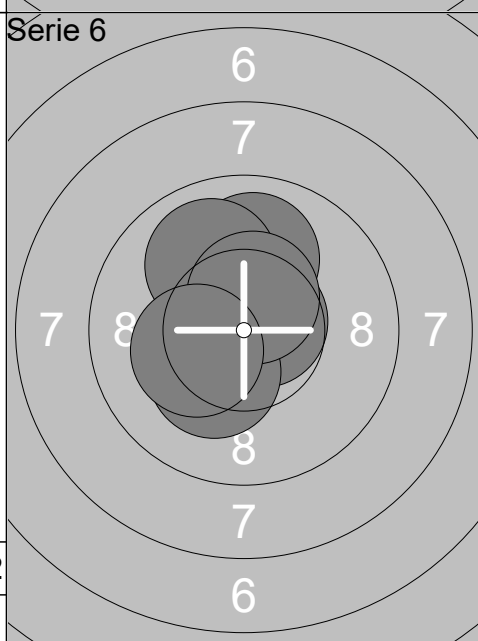
1:	10.5x ↘
2:	10.5x ↙
3:	10.0 ↑
4:	10.1 ↘
5:	10.3x ↙
6:	10.1 ↑
7:	10.0 ↗
8:	10.2x ↓
9:	10.1 ↖
10:	10.1 ↘
Serie	101.9
Total	306.7



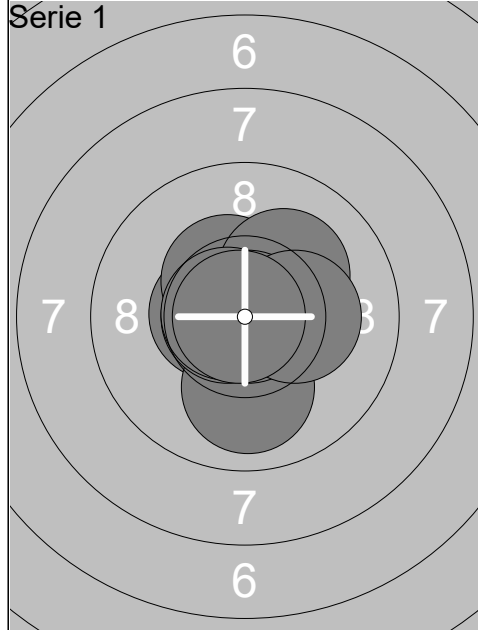
1:	10.7x ↘
2:	10.6x ↘
3:	10.4x ↖
4:	10.9x
5:	10.3x ↙
6:	9.8 ↑
7:	10.0 ↓
8:	10.4x ↓
9:	9.3 ↓
10:	9.8 ↗
Serie	102.2
Total	408.9



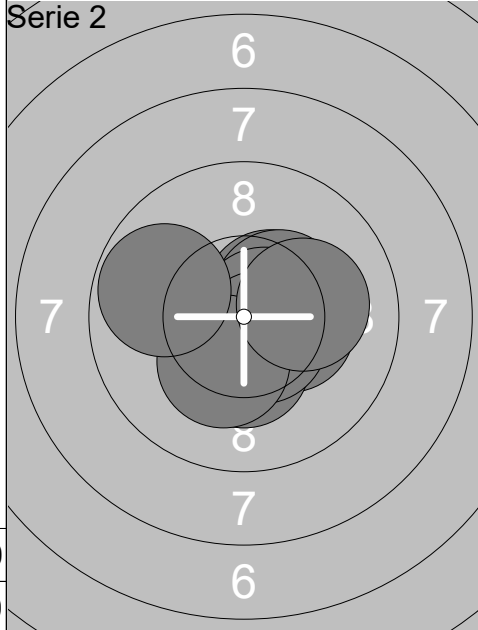
1:	10.7x ↙
2:	10.4x ↓
3:	10.0 ↓
4:	10.4x ↙
5:	10.9x ↑
6:	10.0 ↗
7:	10.2x ↗
8:	10.3x ↙
9:	10.5x ↓
10:	9.8 ↖
Serie	103.2
Total	512.1



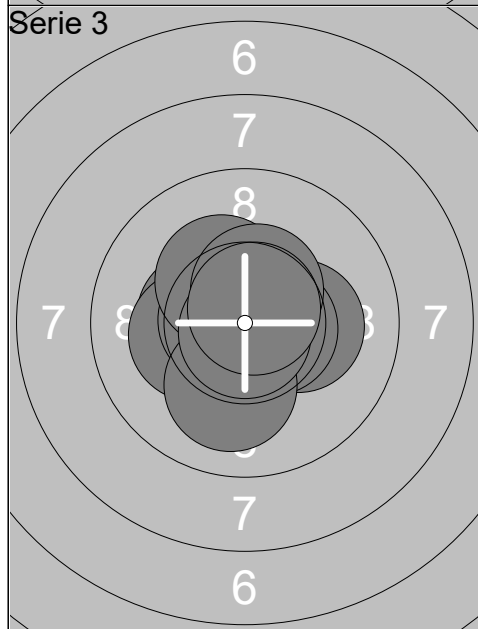
1:	10.8x ↙
2:	10.7x ↙
3:	10.7x ↗
4:	10.6x ↙
5:	10.3x ↙
6:	10.0 ↑
7:	10.2x ↓
8:	9.9 ↗
9:	10.5x ↑
10:	10.2x ↙
Serie	103.9
Total	616.0



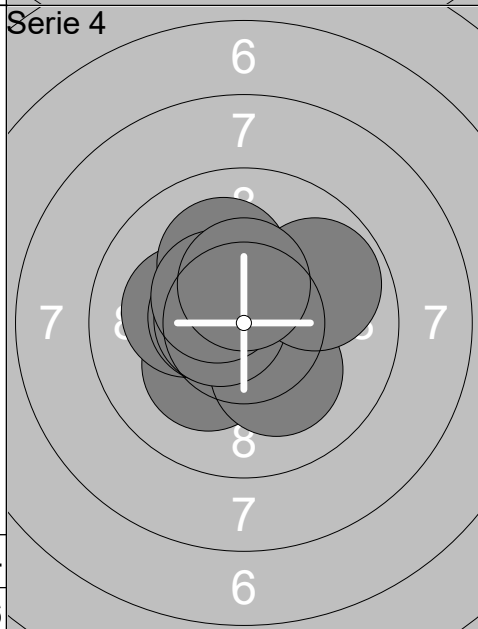
1:	10.5x ←
2:	10.5x →
3:	10.0 ↓
4:	10.4x ↖
5:	10.2x ↗
6:	10.9x →
7:	10.2x →
8:	10.7x ←
9:	10.7x ←
10:	10.9x ←
Serie	105.0
Total	105.0



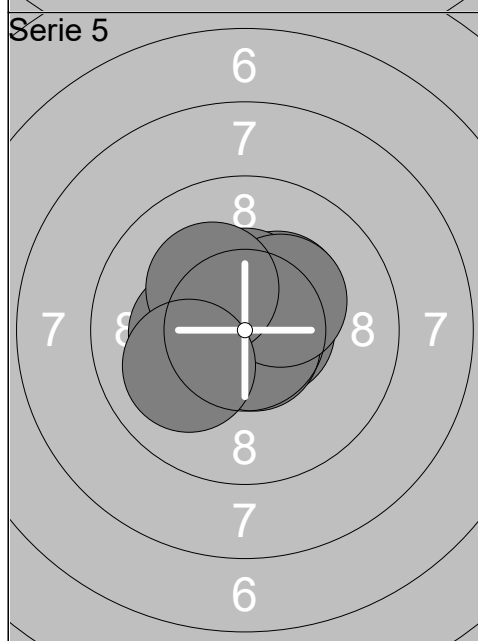
1:	10.3x →
2:	10.3x →
3:	10.5x ↗
4:	10.3x ↓
5:	10.4x ↗
6:	10.6x →
7:	10.6x ↘
8:	10.3x ↓
9:	9.8 ←
10:	10.1 →
Serie	103.2
Total	208.2



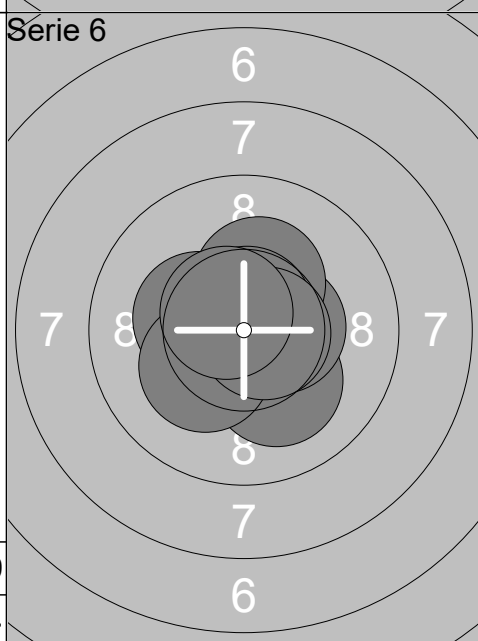
1:	10.2x →
2:	10.4x ←
3:	10.2x ←
4:	10.7x ←
5:	10.6x →
6:	10.0 ↓
7:	10.3x ↖
8:	10.5x ↗
9:	10.8x ↓
10:	10.7x ↗
Serie	104.4
Total	312.6



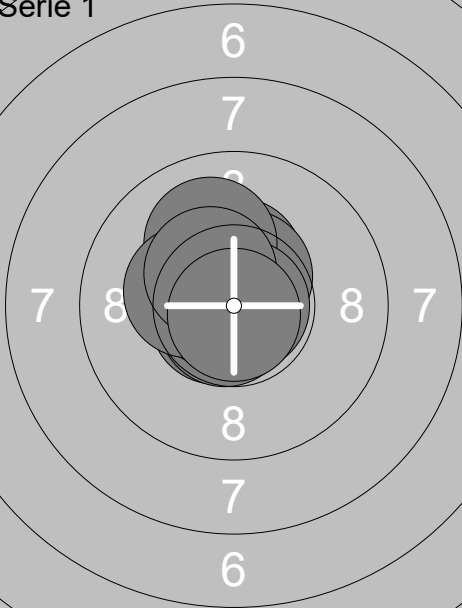
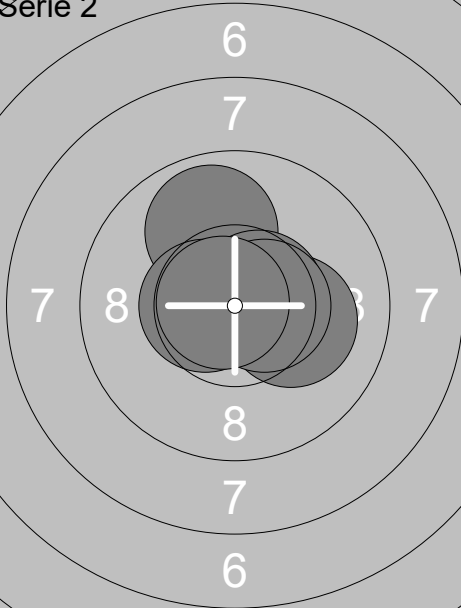
1:	10.7x →
2:	10.2x ↙
3:	10.1 ←
4:	10.1 ↓
5:	10.5x ←
6:	10.1 ↗
7:	10.6x ←
8:	10.4x ↖
9:	9.8 ↗
10:	10.4x ↑
Serie	102.9
Total	415.5

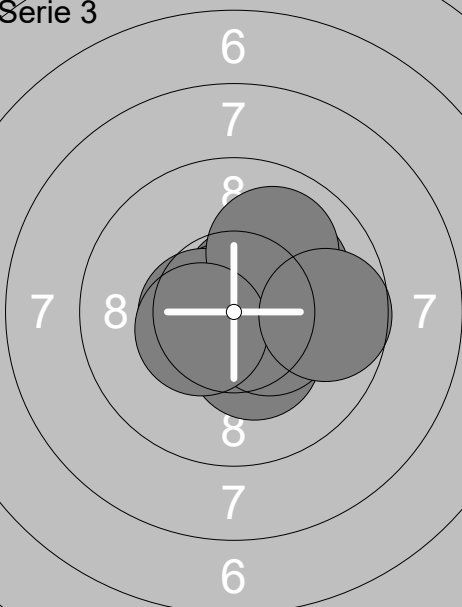
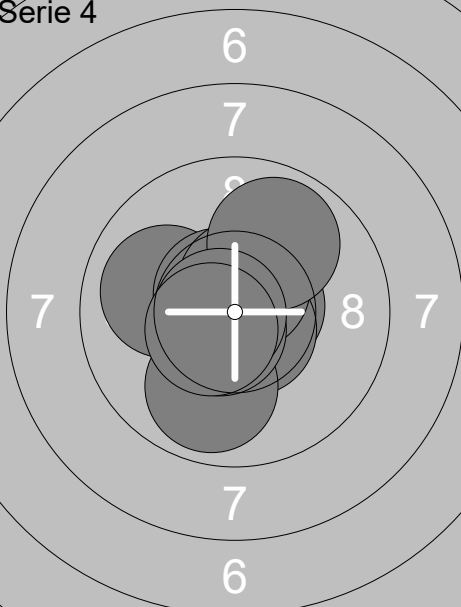


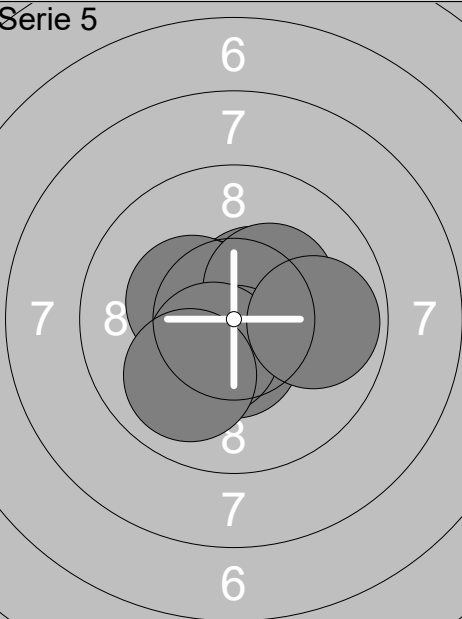
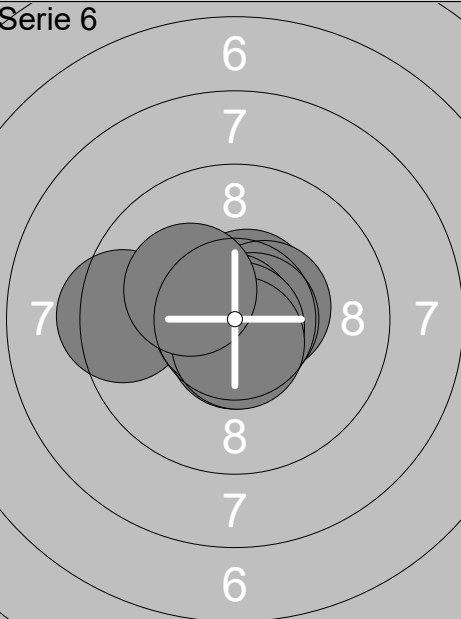
1:	10.6x ↗
2:	10.3x ↗
3:	10.6x →
4:	10.5x ←
5:	10.7x ↘
6:	10.5x ↑
7:	10.2x ←
8:	10.3x ↗
9:	10.2x ↖
10:	10.0 ↙
Serie	103.9
Total	519.4



1:	10.3x ←
2:	10.5x ↙
3:	10.8x ↑
4:	10.1 ↓
5:	10.5x →
6:	10.2x ↑
7:	10.2x ↙
8:	10.7x ↑
9:	10.7x →
10:	10.6x ↖
Serie	104.6
Total	624.0

<p>Serie 1</p> 	<p>1: 10.4x ↑ 2: 10.5x ↗ 3: 10.0 ↖ 4: 10.6x ↙ 5: 10.7x ↘ 6: 10.8x → 7: 10.6x ← 8: 10.3x ← 9: 10.4x ↖ 10: 10.8x ↓</p> <p>Serie 105.1 Total 105.1</p>	<p>Serie 2</p> 	<p>1: 10.1 → 2: 10.8x ↗ 3: 10.6x ↖ 4: 10.8x ↖ 5: 9.9 ↑ 6: 10.6x → 7: 10.5x ← 8: 10.6x → 9: 10.5x → 10: 10.8x ←</p> <p>Serie 105.2 Total 210.3</p>
--	---	--	---

<p>Serie 3</p> 	<p>1: 10.6x ↙ 2: 10.6x ↗ 3: 10.3x ↘ 4: 10.9x ↖ 5: 10.1 ↗ 6: 10.5x ← 7: 10.4x → 8: 10.0 ↗ 9: 10.4x ↙ 10: 9.7 →</p> <p>Serie 103.5 Total 313.8</p>	<p>Serie 4</p> 	<p>1: 10.0 ← 2: 10.6x → 3: 10.6x ↖ 4: 10.6x ↘ 5: 10.5x ↗ 6: 9.9 ↓ 7: 9.9 ↗ 8: 10.6x ↙ 9: 10.7x ← 10: 10.5x ↙</p> <p>Serie 103.9 Total 417.7</p>
---	--	---	---

<p>Serie 5</p> 	<p>1: 10.7x ↖ 2: 10.5x ↗ 3: 10.8x → 4: 10.5x ↖ 5: 10.3x ↖ 6: 10.3x ↗ 7: 10.5x ↓ 8: 10.4x ↙ 9: 9.9 → 10: 10.0 ↓</p> <p>Serie 103.9 Total 521.6</p>	<p>Serie 6</p> 	<p>1: 9.4 ← 2: 10.6x ↗ 3: 10.5x → 4: 10.6x ↓ 5: 10.7x ← 6: 10.7x → 7: 10.8x ← 8: 10.8x ↓ 9: 10.6x ↓ 10: 10.2x ↖</p> <p>Serie 104.9 Total 626.5</p>
--	---	--	--