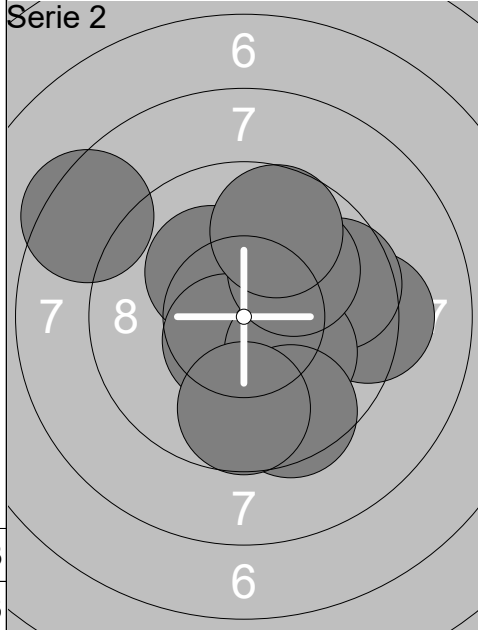
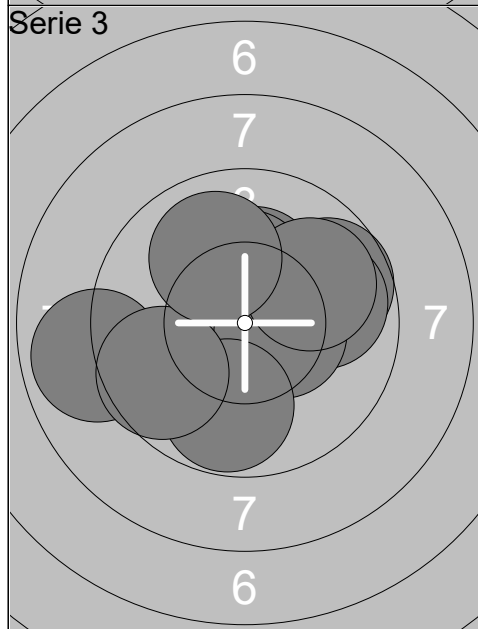


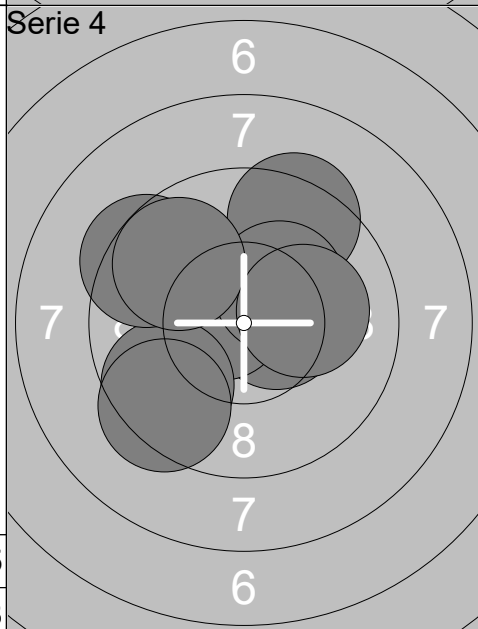
1:	10.6x ↑
2:	10.1 ↑
3:	10.5x ↙
4:	9.6 ↗
5:	10.4x ↘
6:	9.2 ↗
7:	10.0 ↘
8:	9.2 ↗
9:	9.6 ↑
10:	9.1 ↗
Serie	98.3
Total	98.3



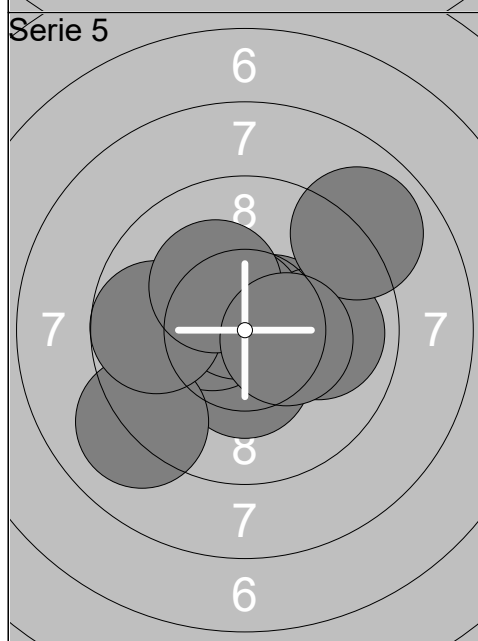
1:	10.2x ↖
2:	9.2 →
3:	8.4 ↖
4:	10.6x ↘
5:	9.6 →
6:	10.1 ↘
7:	9.5 ↘
8:	9.7 ↘
9:	10.0 ↗
10:	9.7 ↑
Serie	97.0
Total	195.3



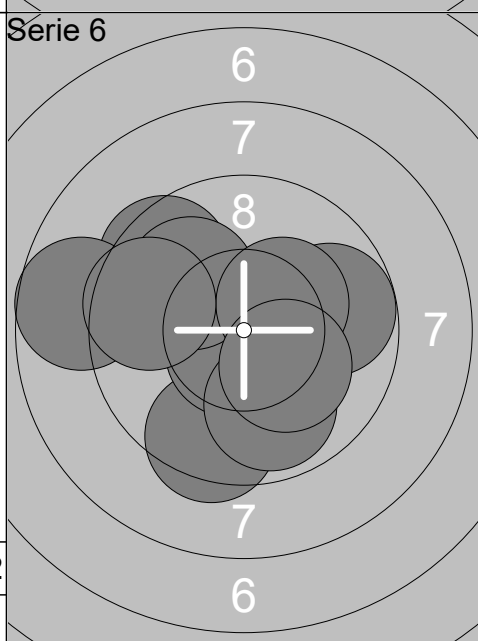
1:	10.2x ↑
2:	8.9 ←
3:	10.3x ↑
4:	9.7 →
5:	9.8 →
6:	10.4x →
7:	9.8 ↘
8:	9.6 ←
9:	9.9 ↗
10:	9.9 ↗
Serie	98.5
Total	293.8



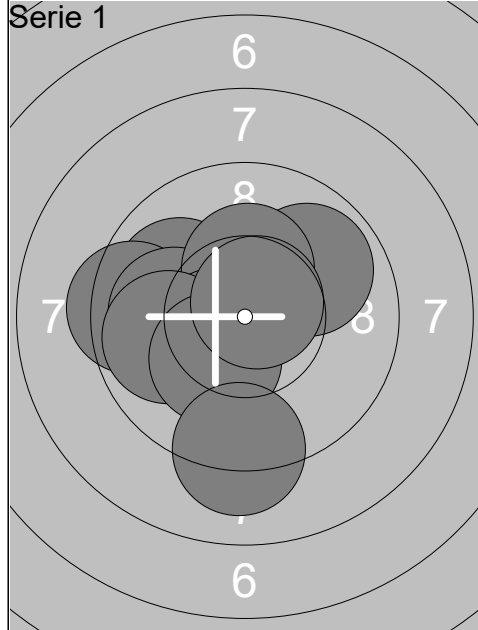
1:	10.5x →
2:	10.3x ↙
3:	9.4 ↑
4:	10.6x ↙
5:	10.2x ↗
6:	9.6 ↙
7:	9.4 ↙
8:	10.1 →
9:	9.7 ↖
10:	9.3 ↙
Serie	99.1
Total	392.9



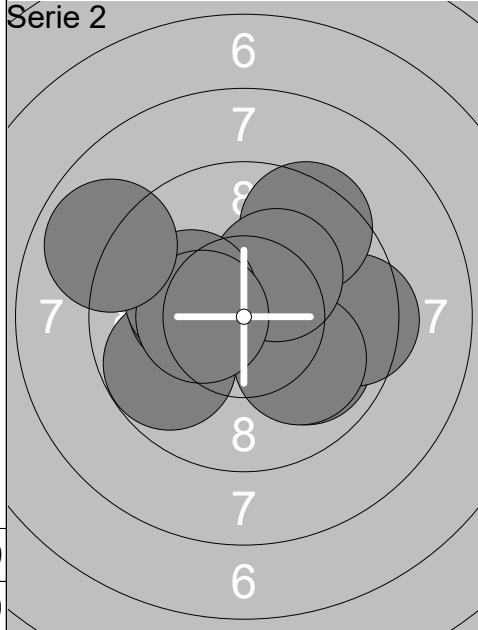
1:	10.4x ↘
2:	10.5x ↙
3:	10.5x →
4:	9.9 →
5:	10.7x ↑
6:	9.1 ↙
7:	8.9 ↗
8:	9.7 ←
9:	10.2x ↖
10:	10.3x →
Serie	100.2
Total	493.1



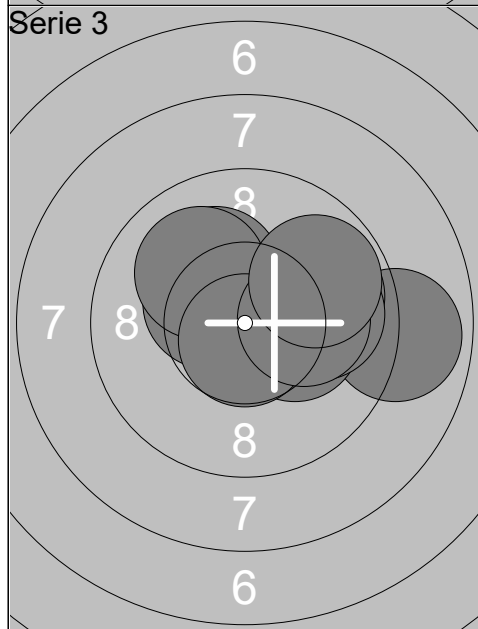
1:	9.4 ↘
2:	9.5 ↖
3:	9.7 →
4:	10.6x ↘
5:	10.0 ↖
6:	10.3x ↗
7:	9.9 ↘
8:	10.2x ↘
9:	8.7 ←
10:	9.6 ←
Serie	97.9
Total	591.0



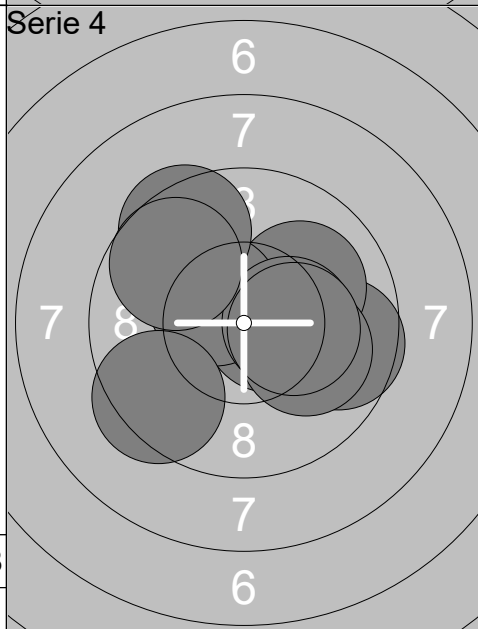
1:	9.9	↖
2:	9.4	←
3:	10.0	←
4:	9.9	↗
5:	10.3x	↑
6:	10.5x	↙
7:	9.9	←
8:	10.2x	↙
9:	9.1	↓
10:	10.7x	↗
Serie		99.9
Total		99.9



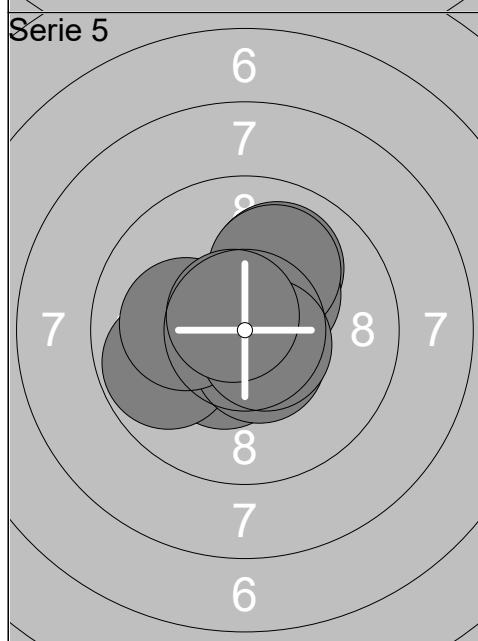
1:	9.9	↘
2:	9.4	→
3:	9.8	↙
4:	9.5	↗
5:	10.2x	↙
6:	10.0	↘
7:	10.2x	↗
8:	10.1	←
9:	10.4x	↙
10:	8.9	↖
Serie		98.4
Total		198.3



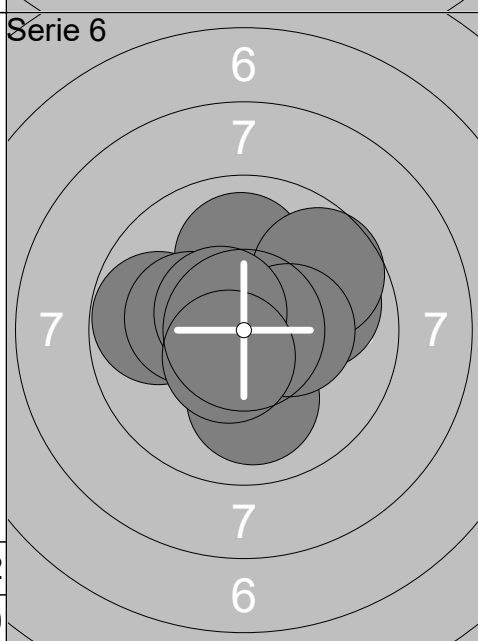
1:	8.9	→
2:	9.8	→
3:	10.2x	→
4:	9.9	→
5:	10.1	↗
6:	10.3x	↙
7:	10.0	↙
8:	10.7x	↓
9:	10.1	→
10:	9.8	↗
Serie		99.8
Total		298.1



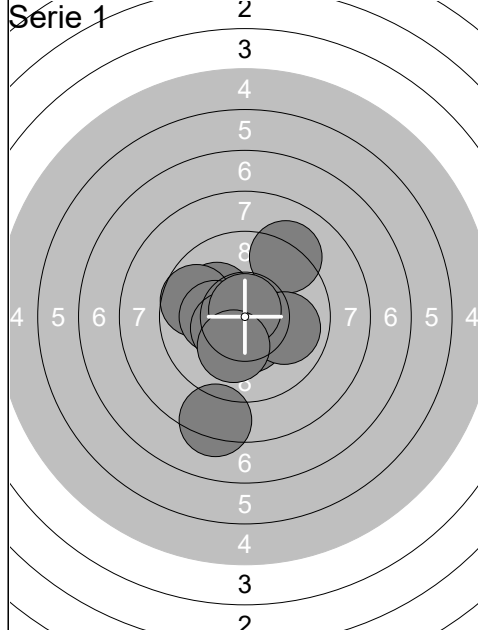
1:	9.6	→
2:	10.6x	→
3:	10.0	↗
4:	10.4x	↙
5:	10.0	↘
6:	9.5	↗
7:	10.3x	→
8:	10.2x	→
9:	9.4	↙
10:	9.7	↙
Serie		99.7
Total		397.8



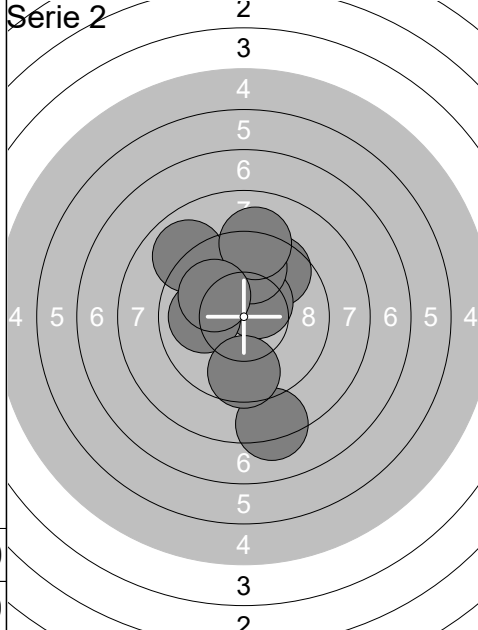
1:	10.0	↗
2:	10.8x	↗
3:	10.3x	↗
4:	10.0	↗
5:	10.4x	↙
6:	9.8	←
7:	10.5x	↘
8:	10.1	←
9:	10.6x	↘
10:	10.7x	↙
Serie		103.2
Total		501.0



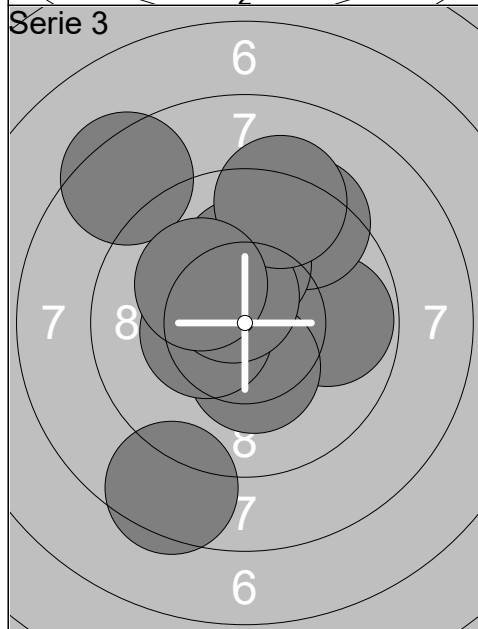
1:	9.9	→
2:	10.5x	↗
3:	9.7	←
4:	10.0	↓
5:	10.0	↑
6:	9.7	↗
7:	10.2x	↙
8:	10.3x	→
9:	10.5x	↙
10:	10.5x	↙
Serie		101.3
Total		602.3



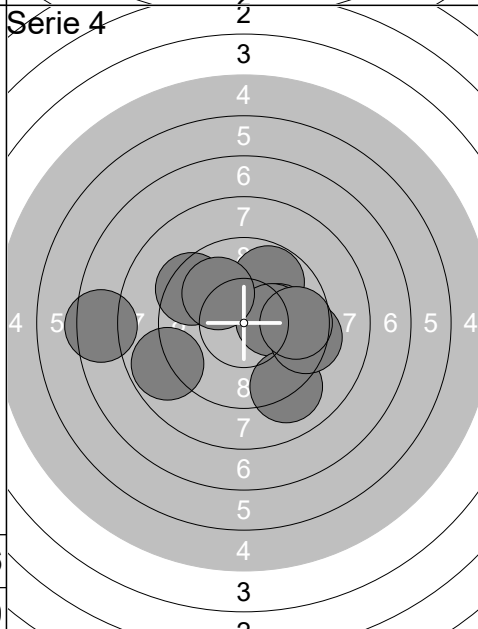
1:	10.1	↖
2:	9.1	↗
3:	9.6	↙
4:	10.2x	↙
5:	10.4x	↙
6:	8.3	↓
7:	10.4x	↓
8:	9.9	→
9:	10.8x	↑
10:	10.2x	↓
Serie		99.0
Total		99.0



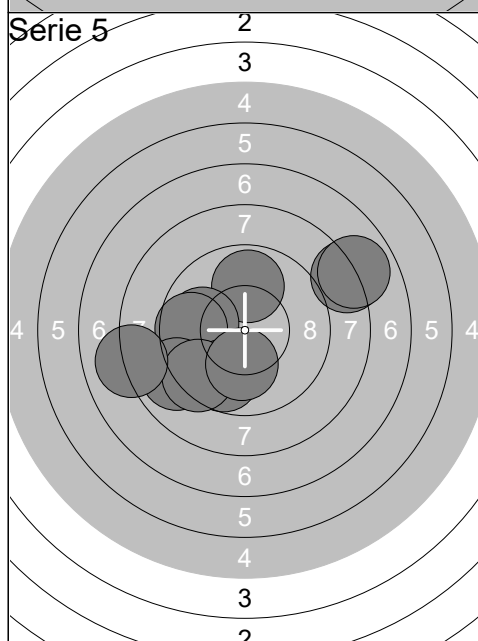
1:	8.2	↓
2:	9.6	↗
3:	9.8	↖
4:	10.4x	↗
5:	10.0	↙
6:	9.7	↑
7:	9.6	↓
8:	8.9	↖
9:	9.1	↑
10:	10.0	↖
Serie		95.3
Total		194.3



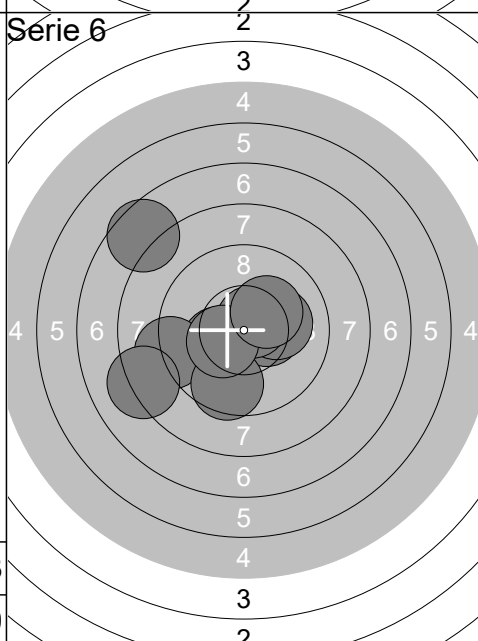
1:	9.8	→
2:	10.3x	↓
3:	9.3	↗
4:	10.4x	↙
5:	10.1	↑
6:	8.4	↖
7:	10.5x	↗
8:	9.2	↑
9:	8.5	↓
10:	10.1	↖
Serie		96.6
Total		290.9



1:	8.8	↙
2:	9.7	↗
3:	10.1	→
4:	10.3x	→
5:	9.0	↓
6:	9.4	↖
7:	9.4	→
8:	10.0	↖
9:	7.4	↙
10:	9.6	→
Serie		93.7
Total		384.6

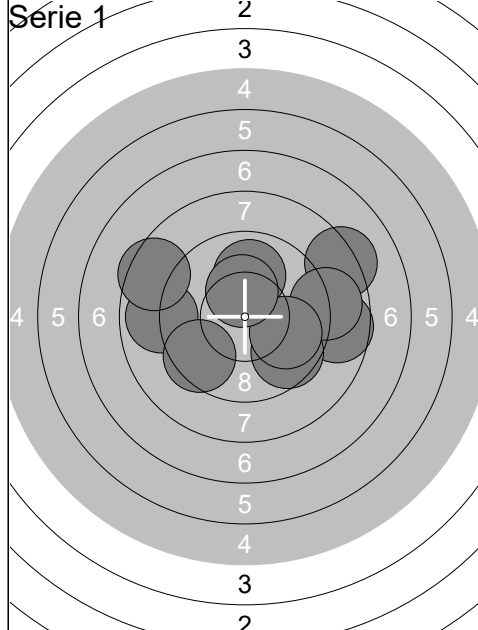


1:	9.8	↑
2:	9.9	↙
3:	8.1	↗
4:	9.6	↙
5:	9.7	↓
6:	7.9	↗
7:	8.9	↙
8:	9.3	↙
9:	10.1	↓
10:	8.0	↙
Serie		91.3
Total		475.9

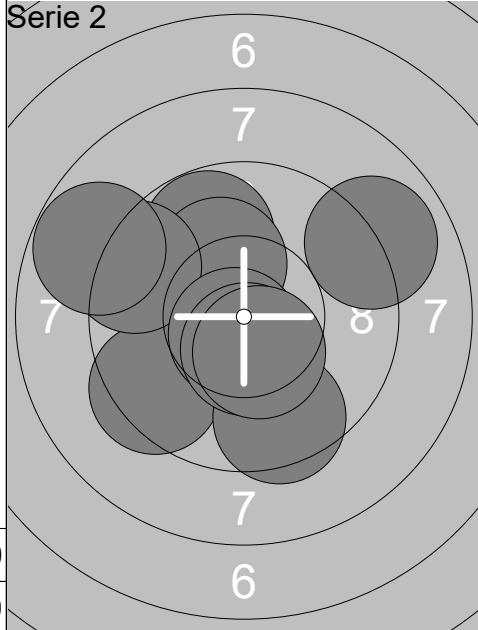


1:	10.4x	→
2:	10.2x	↙
3:	10.1	→
4:	9.0	↙
5:	9.6	↓
6:	10.6x	↗
7:	7.5	↖
8:	10.3x	↙
9:	8.1	↙
10:	10.2x	↗
Serie		96.0
Total		571.9

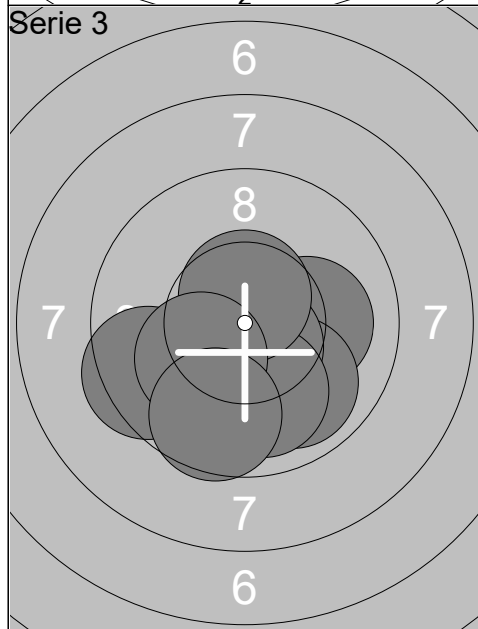
Hold	Skive	Kristoffer Kvorning		
2	7			
Day 2 Denmark Open Air		Viborg Skytte Forening	MJ	
09.03.2019		Day 2 Denmark Open Air	Denmark Open Air	
Serie 1 		1: 9.1 ← 2: 9.1 ↓ 3: 10.7x ↓ 4: 9.4 → 5: 8.7 ↖ 6: 9.1 ← 7: 9.1 ← 8: 8.6 ← 9: 10.5x → 10: 9.6 ↙ Serie 93.9 Total 93.9	Serie 2 	1: 9.4 ↘ 2: 8.3 ← 3: 7.8 ← 4: 10.2x ← 5: 10.2x → 6: 9.0 ← 7: 9.9 → 8: 7.9 → 9: 9.1 → 10: 7.8 ← Serie 89.6 Total 183.5
Serie 3 		1: 10.0 ↑ 2: 10.8x ← 3: 9.7 ↓ 4: 9.8 → 5: 8.8 ← 6: 10.3x ← 7: 9.9 ↗ 8: 9.1 ← 9: 8.9 ← 10: 9.4 → Serie 96.7 Total 280.2	Serie 4 	1: 9.8 → 2: 9.8 ↗ 3: 9.8 ↘ 4: 8.9 → 5: 10.2x ↓ 6: 7.3 ← 7: 10.1 ↑ 8: 8.0 → 9: 8.0 ↗ 10: 9.8 ↗ Serie 91.7 Total 371.9
Serie 5 		1: 9.1 ↘ 2: 7.1 → 3: 9.5 ↗ 4: 8.0 → 5: 7.8 → 6: 9.5 ← 7: 10.0 ← 8: 10.0 ↓ 9: 7.2 ↖ 10: 10.7x ↘ Serie 88.9 Total 460.8	Serie 6 	1: 10.4x ↓ 2: 10.4x ← 3: 9.4 ← 4: 10.3x ↗ 5: 9.7 ↘ 6: 8.1 → 7: 8.0 ← 8: 10.1 ↗ 9: 9.4 ← 10: 9.6 ← Serie 95.4 Total 556.2



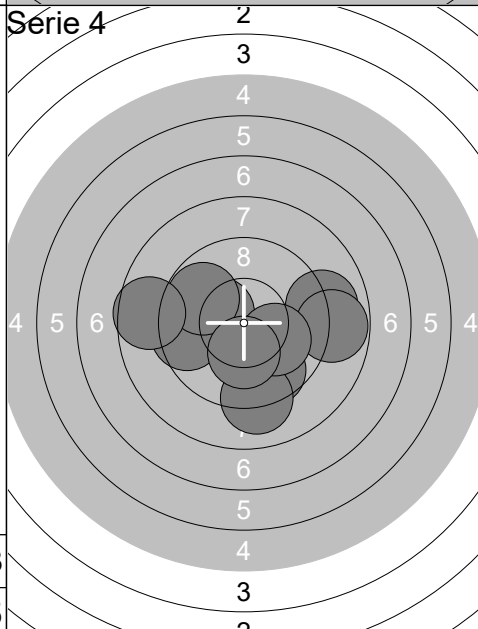
1:	8.9	←
2:	8.4	↖
3:	9.4	↙
4:	8.6	→
5:	9.9	↑
6:	8.2	↗
7:	8.9	→
8:	9.6	↘
9:	9.8	↘
10:	10.3x	↑
Serie		92.0
Total		92.0



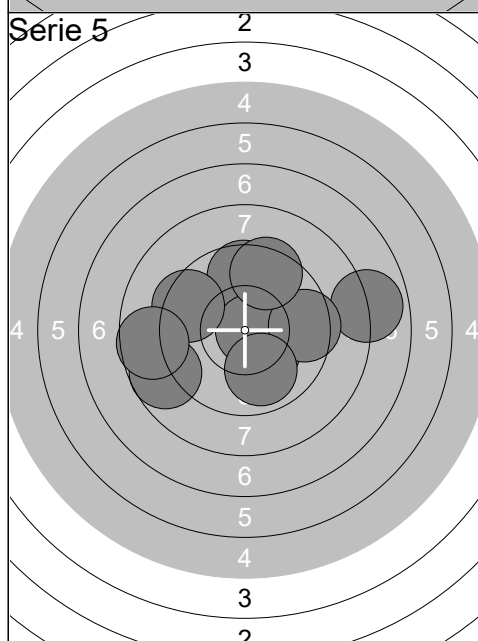
1:	9.4	↙
2:	9.5	↘
3:	9.7	↗
4:	8.9	↗
5:	10.1	↗
6:	9.3	↖
7:	8.7	↖
8:	10.7x	↘
9:	10.5x	↘
10:	10.4x	↘
Serie		97.2
Total		189.2



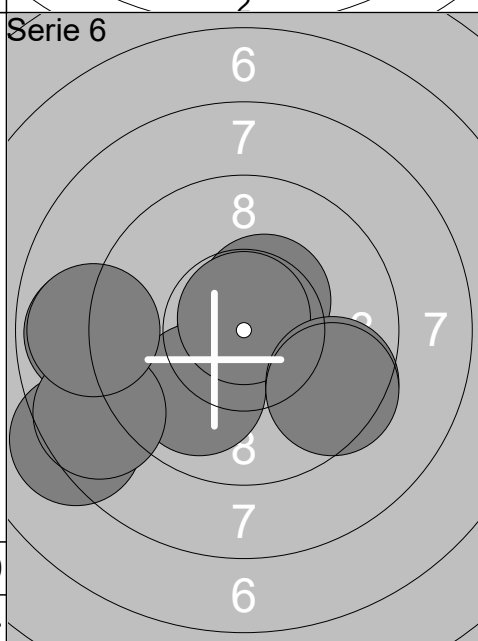
1:	10.4x	↘
2:	10.6x	↘
3:	10.1	→
4:	9.9	↘
5:	10.6x	↘
6:	10.0	↘
7:	10.6x	↑
8:	9.4	←
9:	10.1	↙
10:	9.6	↘
Serie		101.3
Total		290.5



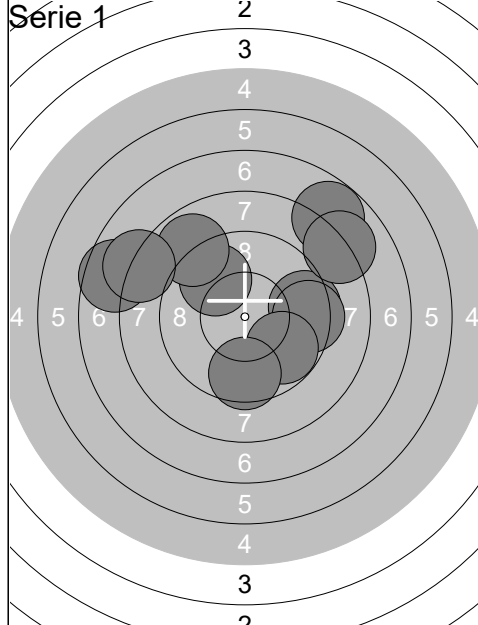
1:	9.0	→
2:	8.8	→
3:	9.6	↘
4:	10.2x	↖
5:	9.1	↘
6:	10.1	↘
7:	9.5	←
8:	9.8	↖
9:	8.6	←
10:	10.2x	↘
Serie		94.9
Total		385.4



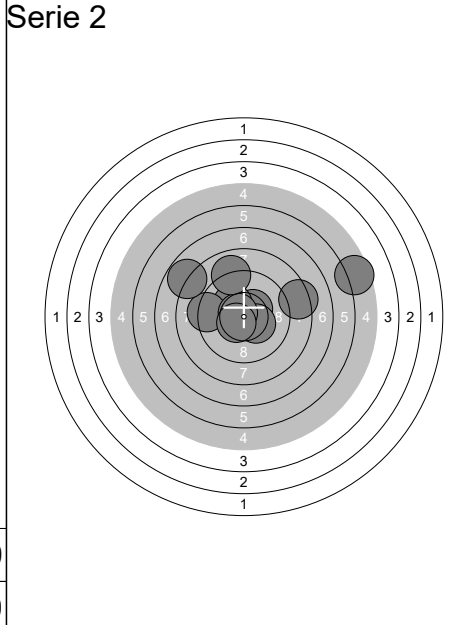
1:	9.6	↑
2:	8.7	↖
3:	10.2x	↘
4:	10.8x	→
5:	7.9	→
6:	9.5	→
7:	9.4	↖
8:	9.4	↗
9:	9.9	↘
10:	8.6	←
Serie		94.0
Total		479.4



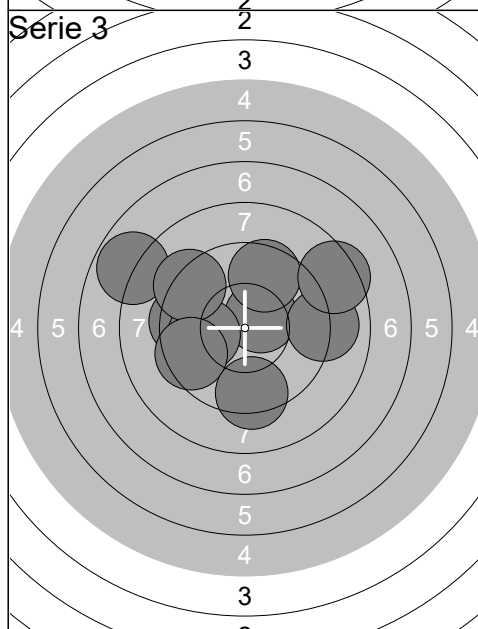
1:	8.9	←
2:	10.9x	↑
3:	9.9	↘
4:	10.4x	↗
5:	10.8x	↑
6:	8.2	↖
7:	8.7	↖
8:	8.9	←
9:	9.5	↘
10:	9.5	↘
Serie		95.7
Total		575.1



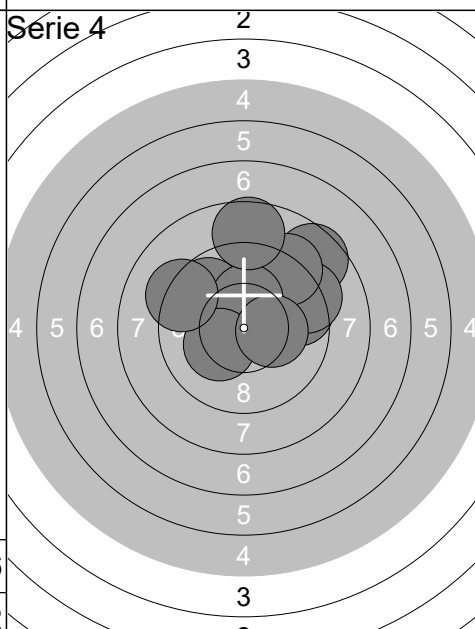
1:	9.4	→
2:	7.7	↗
3:	9.7	↖
4:	8.0	↗
5:	9.4	→
6:	7.6	←
7:	8.8	↗
8:	9.7	↘
9:	8.1	←
10:	9.5	↓
Serie		87.9
Total		87.9



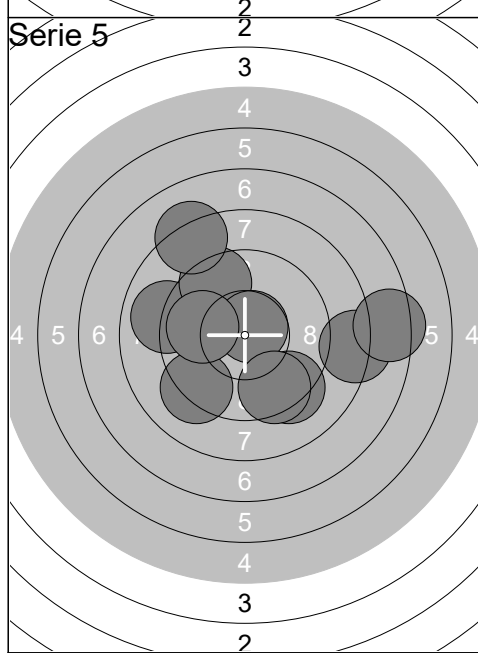
1:	5.6	→
2:	10.4x	↗
3:	10.1	↖
4:	10.3x	↘
5:	9.2	←
6:	8.3	→
7:	10.6x	↖
8:	10.5x	↙
9:	8.9	↑
10:	7.8	↖
Serie		91.7
Total		179.6



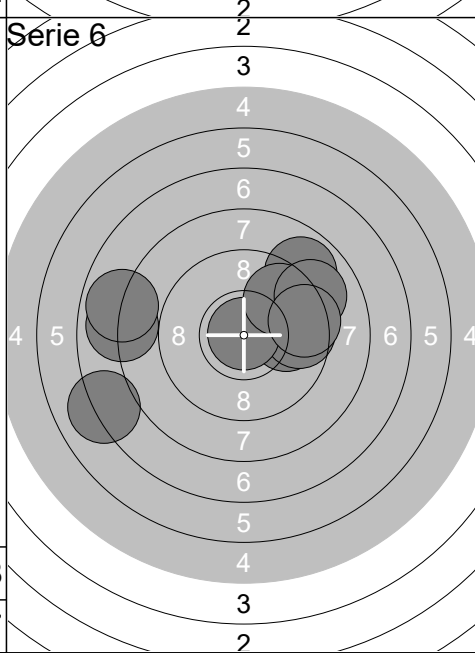
1:	10.4x	↗
2:	9.5	←
3:	7.8	↖
4:	9.9	←
5:	9.0	→
6:	9.6	↑
7:	9.2	↖
8:	9.5	←
9:	9.3	↓
10:	8.4	↗
Serie		92.6
Total		272.2



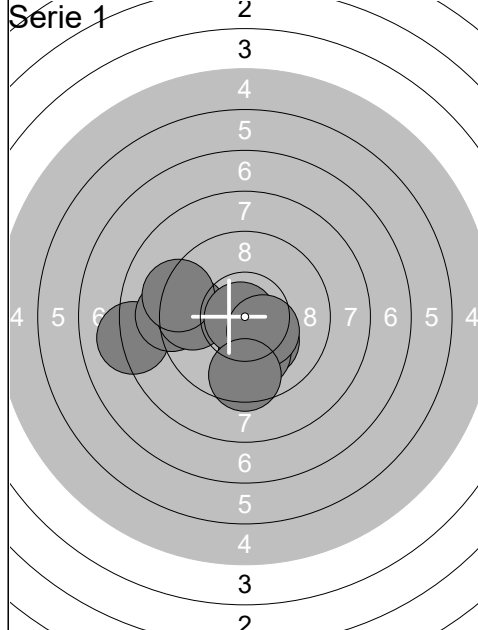
1:	8.6	↗
2:	9.7	↖
3:	9.6	→
4:	9.2	↗
5:	9.1	↗
6:	10.3x	↑
7:	10.2x	↙
8:	10.2x	→
9:	9.2	↖
10:	8.6	↑
Serie		94.7
Total		366.9



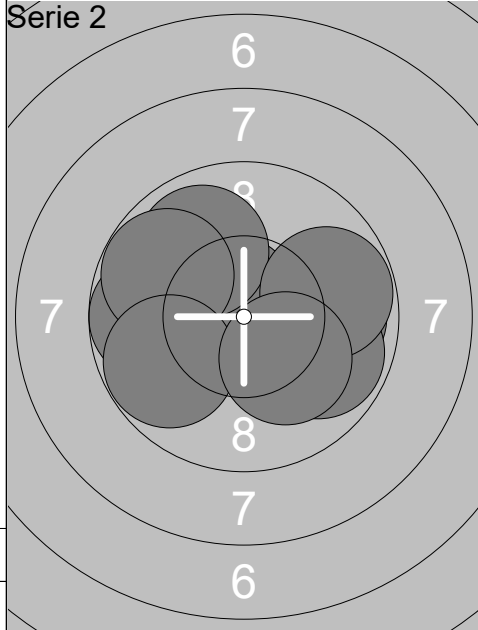
1:	9.2	↙
2:	9.0	←
3:	9.4	↗
4:	9.3	↘
5:	10.7x	↗
6:	9.5	↘
7:	9.9	←
8:	8.2	→
9:	8.2	↗
10:	7.4	→
Serie		90.8
Total		457.7



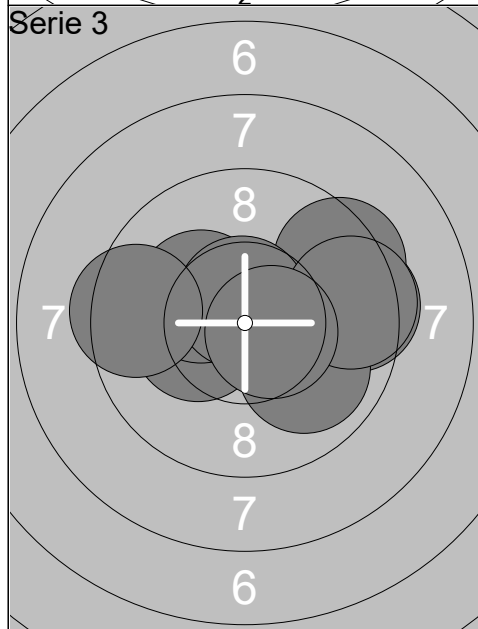
1:	7.0	↙
2:	9.9	→
3:	9.6	→
4:	7.9	←
5:	10.9x	↑
6:	8.9	↗
7:	7.9	←
8:	9.7	↗
9:	9.0	↗
10:	9.4	→
Serie		90.2
Total		547.9



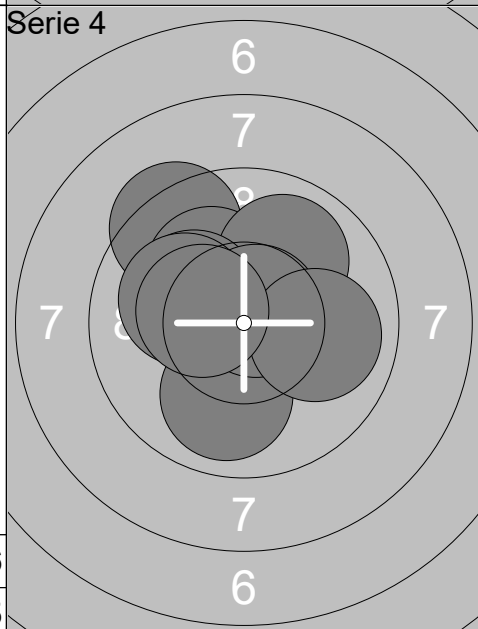
1:	10.2x ↘
2:	10.2x ↘
3:	8.1 ←
4:	9.1 ←
5:	9.6 ←
6:	9.2 ←
7:	10.0 ↓
8:	10.8x ←
9:	10.4x ↘
10:	9.5 ↓
Serie	97.1
Total	97.1



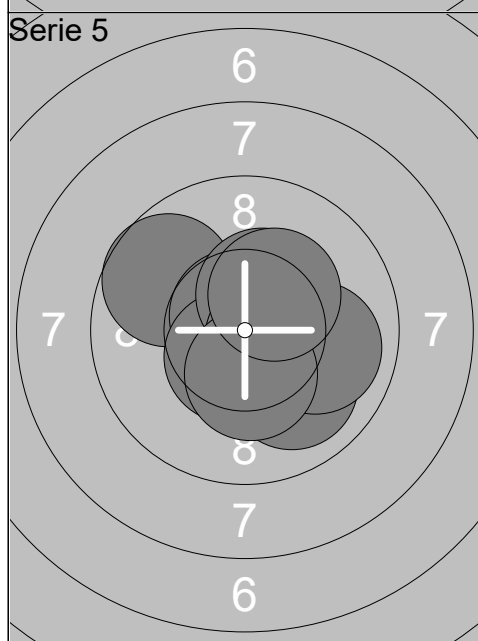
1:	9.9 →
2:	9.7 ←
3:	9.8 ↘
4:	10.4x →
5:	10.7x ↗
6:	9.9 ↗
7:	9.8 →
8:	9.7 ←
9:	9.8 ←
10:	10.1 ↘
Serie	99.8
Total	196.9



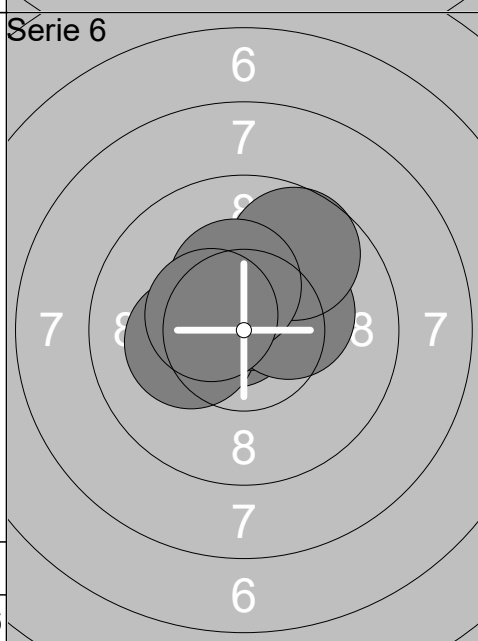
1:	10.1 ←
2:	10.3x ←
3:	9.4 →
4:	9.9 ↘
5:	10.2x ↗
6:	9.4 ↗
7:	10.7x ↑
8:	9.5 ←
9:	9.5 →
10:	10.6x →
Serie	99.6
Total	296.5



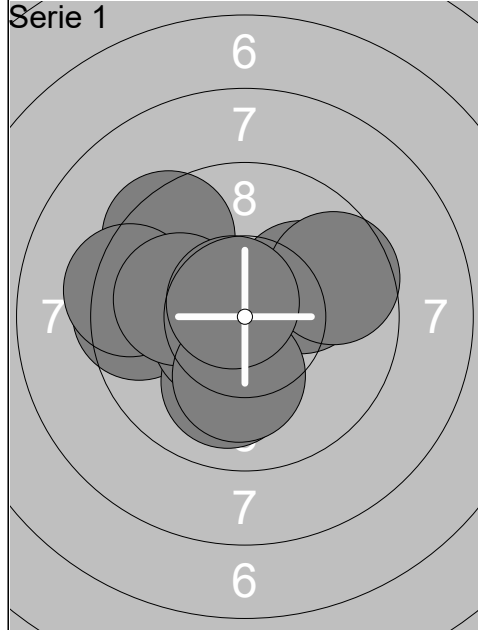
1:	9.3 ↗
2:	10.6x ↗
3:	10.1 ↗
4:	9.9 ↗
5:	10.1 ←
6:	10.1 ←
7:	10.0 ↓
8:	10.7x ↗
9:	9.9 →
10:	10.3x ←
Serie	101.0
Total	397.5



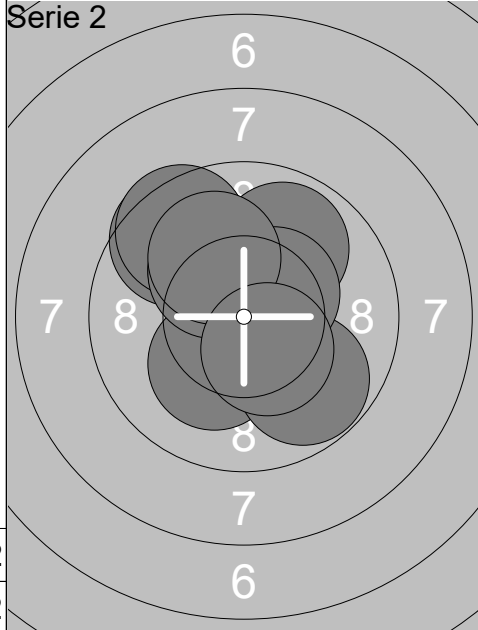
1:	9.7 ←
2:	10.7x →
3:	10.0 ↘
4:	10.7x ↗
5:	10.5x ↘
6:	10.4x ↗
7:	10.5x →
8:	10.0 →
9:	10.3x ↓
10:	10.3x ↗
Serie	103.1
Total	500.6



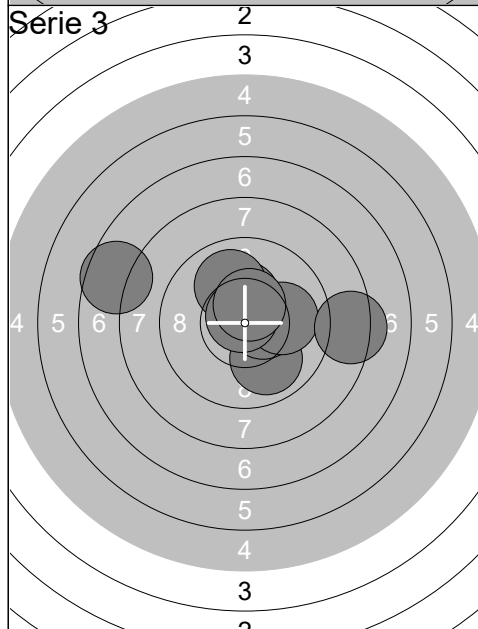
1:	10.7x ↗
2:	10.4x ↑
3:	10.2x ←
4:	10.5x ↗
5:	10.4x ↗
6:	10.6x ↑
7:	10.3x →
8:	9.7 ↗
9:	10.3x ↑
10:	10.4x ↗
Serie	103.5
Total	604.1



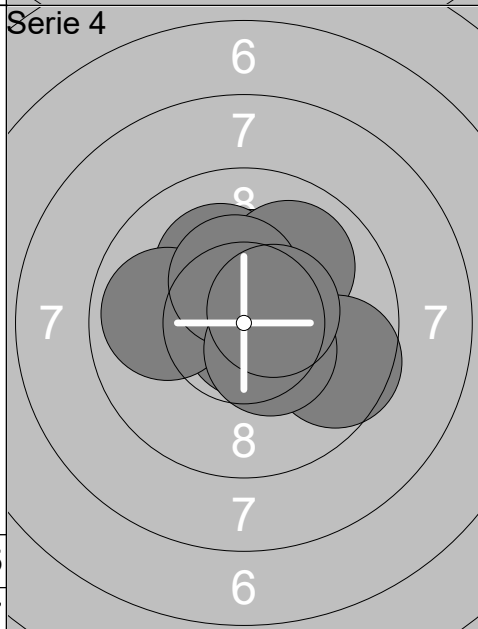
1:	9.4 ↖
2:	9.5 ←
3:	10.1 →
4:	9.6 →
5:	10.0 ↓
6:	10.5x ↙
7:	9.3 ←
8:	10.0 ←
9:	10.1 ↓
10:	10.7x ↖
Serie	99.2
Total	99.2



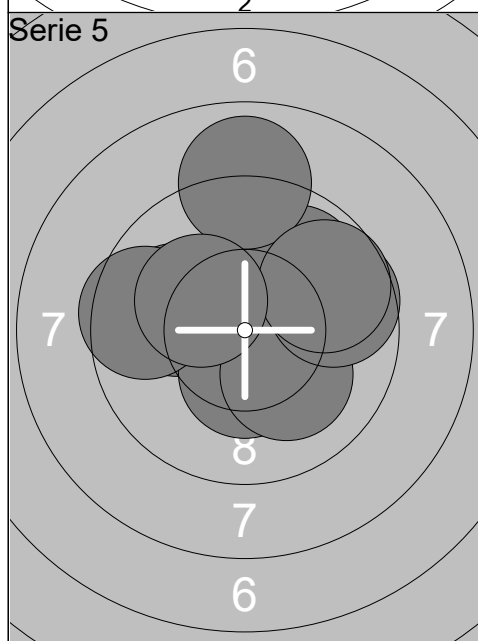
1:	10.1 ↘
2:	9.5 ↖
3:	9.9 ↗
4:	9.8 ↘
5:	9.5 ↗
6:	10.2x ↖
7:	10.2x ↖
8:	10.4x ↗
9:	10.0 ↗
10:	10.4x ↘
Serie	100.0
Total	199.2



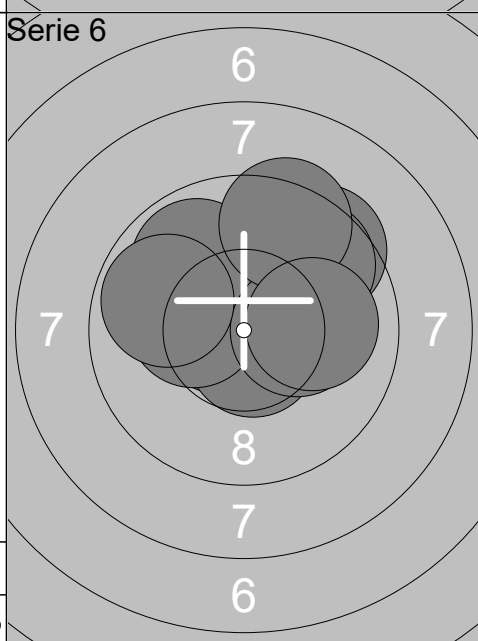
1:	10.3x ↑
2:	7.6 ←
3:	9.9 ↓
4:	10.5x →
5:	10.0 →
6:	10.6x ↑
7:	10.0 ↑
8:	8.3 →
9:	10.8x ↖
10:	10.5x ↑
Serie	98.5
Total	297.7



1:	10.3x ↑
2:	10.8x ↘
3:	10.5x ↗
4:	10.2x ↖
5:	9.9 ←
6:	10.0 ↗
7:	10.3x ↑
8:	9.6 →
9:	10.4x ↘
10:	10.5x →
Serie	102.5
Total	400.2



1:	9.9 ↗
2:	10.7x ↘
3:	10.0 ←
4:	10.4x ↓
5:	10.1 ↘
6:	9.5 ←
7:	8.9 ↑
8:	9.7 →
9:	9.7 →
10:	10.2x ↖
Serie	99.1
Total	499.3



1:	10.6x ↙
2:	10.6x ↘
3:	9.4 ↗
4:	10.2x ↙
5:	9.8 ↖
6:	9.7 ↗
7:	10.2x →
8:	9.4 ↑
9:	10.0 →
10:	9.8 ←
Serie	99.7
Total	599.0