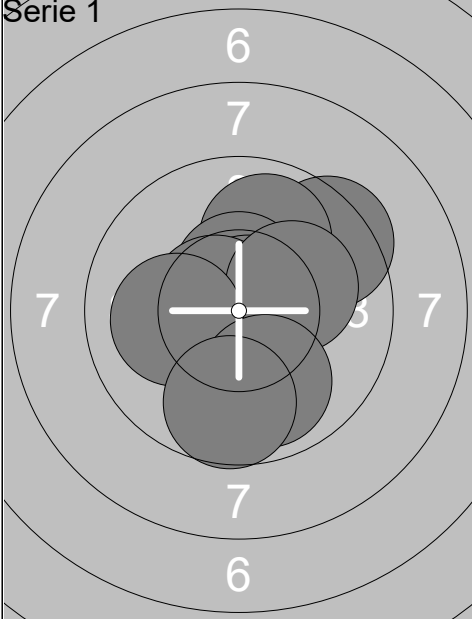
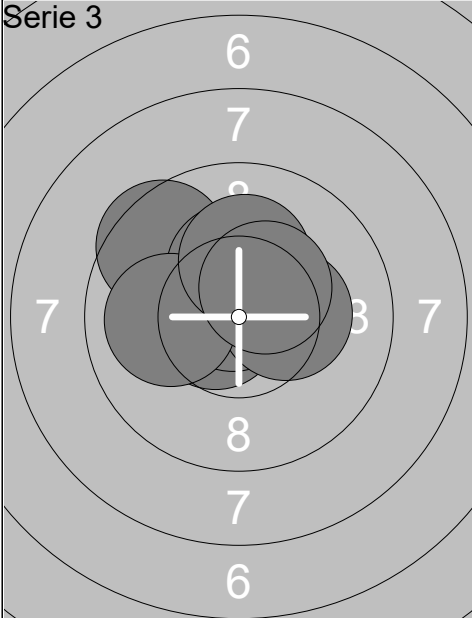
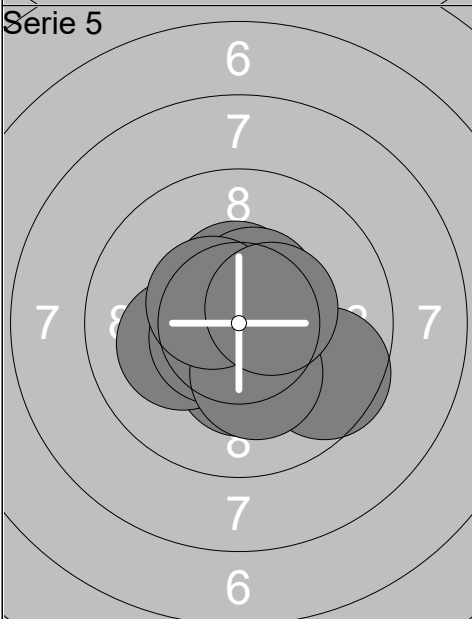
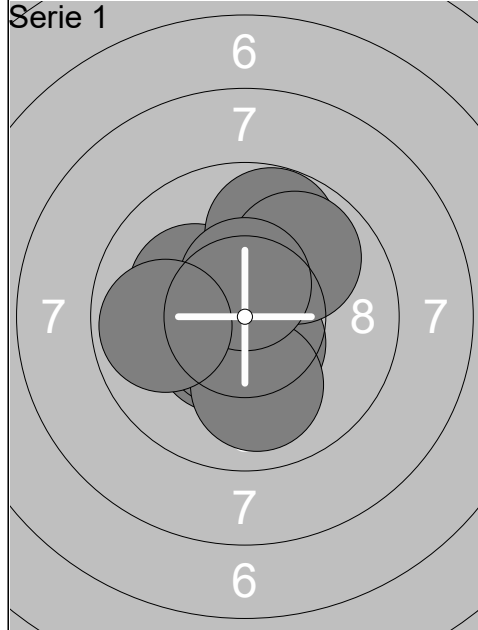
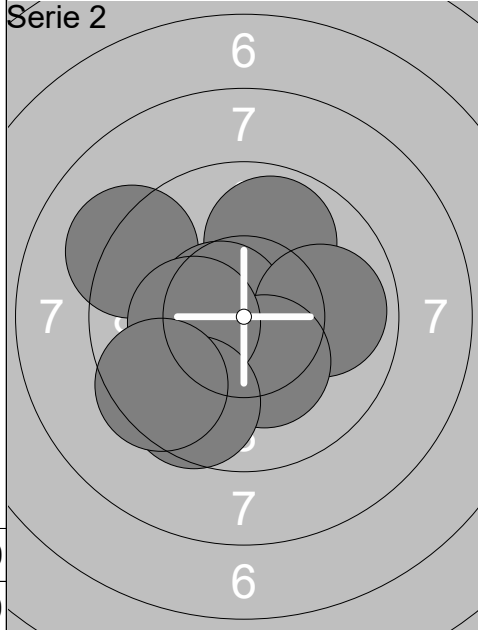


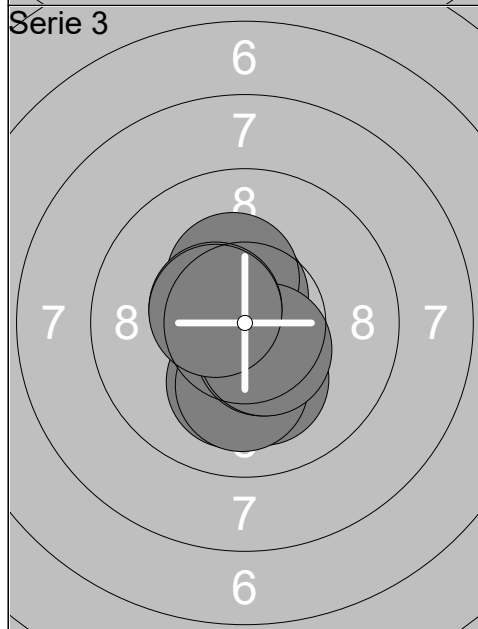
Relay	Lane	Lars Ørum	
5	2		
Day 2 Denmark Open Air		Aalborg Skyttekreds	M
09.03.2019		Day 2 Denmark Open Air	Denmark Open Air
Serie 1		1: 10.4x ← 2: 9.4 ↗ 3: 9.9 ↗ 4: 10.5x ↑ 5: 10.8x ↗ 6: 10.6x ← 7: 10.1 → 8: 10.1 ← 9: 9.9 ↓ 10: 9.7 ↓ Series 101.4 101.4	Serie 2
Serie 3		1: 10.5x ↗ 2: 10.4x ↗ 3: 10.6x ← 4: 10.7x ↗ 5: 9.5 ↖ 6: 10.3x → 7: 10.3x ↑ 8: 10.0 ← 9: 10.2x ↑ 10: 10.4x ↗ Series 102.9 305.7	Serie 4
Serie 5		1: 10.3x ↓ 2: 10.1 ← 3: 10.5x ↑ 4: 10.5x ↗ 5: 10.5x ↗ 6: 10.5x ← 7: 9.6 ↘ 8: 10.2x ↓ 9: 10.5x ↖ 10: 10.5x ↗ Series 103.2 512.6	Serie 6
			1: 9.5 ↖ 2: 10.1 ← 3: 10.7x → 4: 10.0 ↗ 5: 10.4x ← 6: 9.9 ↗ 7: 10.2x → 8: 10.3x ↑ 9: 10.3x ↖ 10: 10.0 ↘ Series 101.4 202.8
			1: 10.5x ← 2: 9.6 → 3: 9.9 ↓ 4: 10.3x ↓ 5: 10.7x ↓ 6: 10.6x ← 7: 10.6x → 8: 10.3x ↓ 9: 10.5x ← 10: 10.7x ← Series 103.7 409.4
			1: 10.7x ↓ 2: 10.1 ↓ 3: 10.3x ↓ 4: 10.6x ← 5: 10.5x ← 6: 10.8x → 7: 10.0 ↖ 8: 10.6x ↓ 9: 10.6x ↓ 10: 10.4x ↘ Series 104.6 617.2



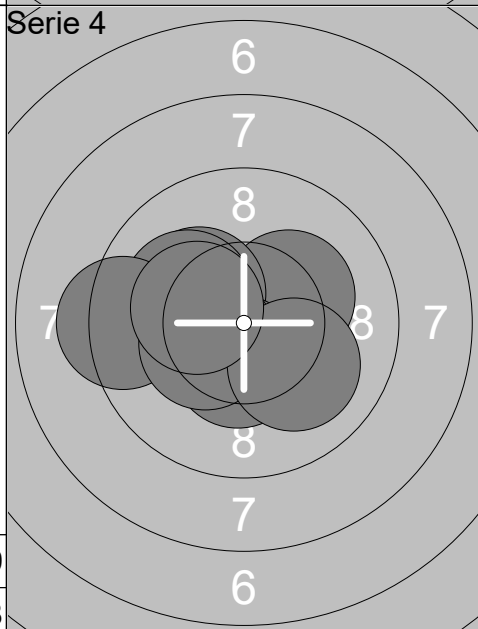
1:	10.4x ↓
2:	10.5x ↓
3:	10.2x ↖
4:	10.4x ↓
5:	9.8 ↑
6:	9.9 ↗
7:	10.5x ↓
8:	10.0 ↓
9:	10.5x ↑
10:	9.8 ←
Series	102.0
	102.0



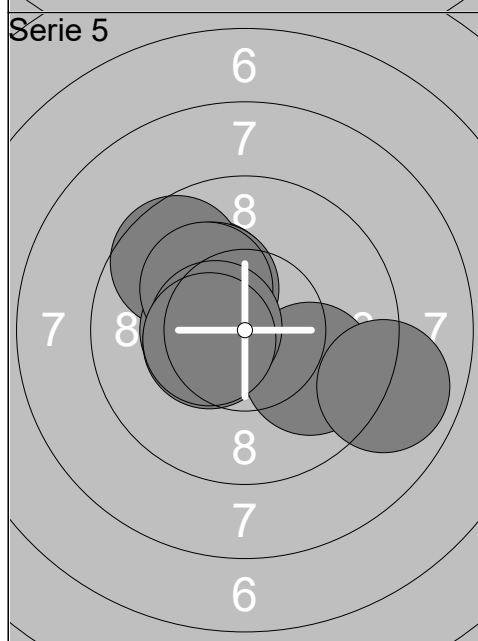
1:	9.9 ↗
2:	10.4x ←
3:	10.3x ↓
4:	9.2 ↖
5:	10.6x ←
6:	9.9 →
7:	10.3x ↓
8:	10.2x ←
9:	9.6 ↓
10:	9.5 ↓
Series	99.9
	201.9



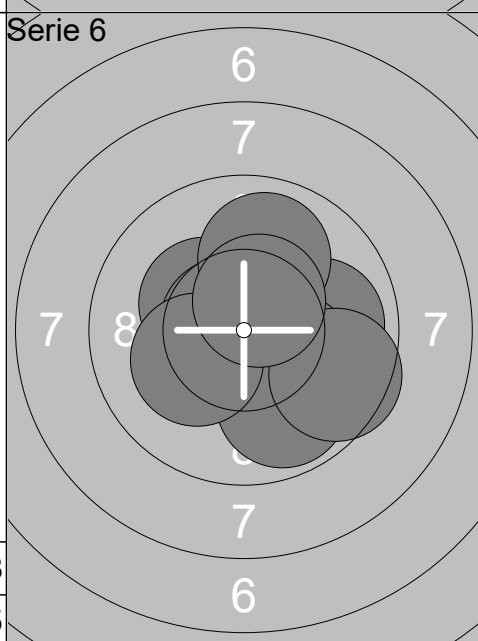
1:	10.1 ↓
2:	10.1 ↓
3:	10.7x ↖
4:	10.1 ↓
5:	10.6x ↑
6:	10.3x ↑
7:	10.5x ↓
8:	10.5x ↓
9:	10.5x ↖
10:	10.5x ↖
Series	103.9
	305.8



1:	10.7x ↓
2:	10.2x ↗
3:	10.2x ↖
4:	10.4x ↓
5:	10.1 ↖
6:	10.4x ←
7:	9.3 ←
8:	10.3x ←
9:	10.0 ↓
10:	10.3x ←
Series	101.9
	407.7



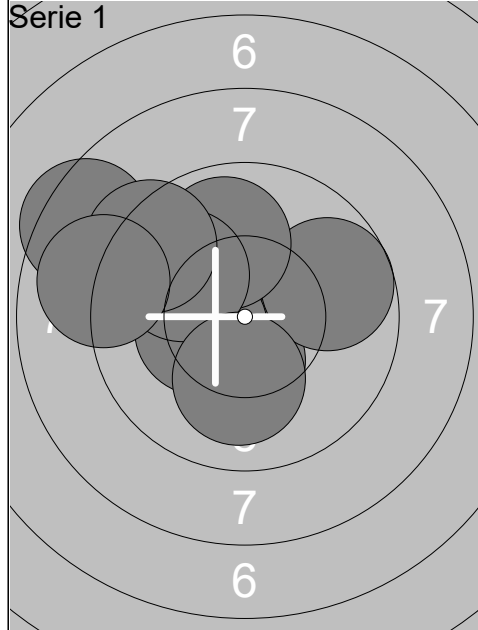
1:	10.2x ↗
2:	9.6 ↖
3:	10.4x ←
4:	10.2x ↗
5:	10.2x ↖
6:	10.4x ←
7:	9.9 ↓
8:	10.5x ←
9:	10.5x ←
10:	8.9 →
Series	100.8
	508.5



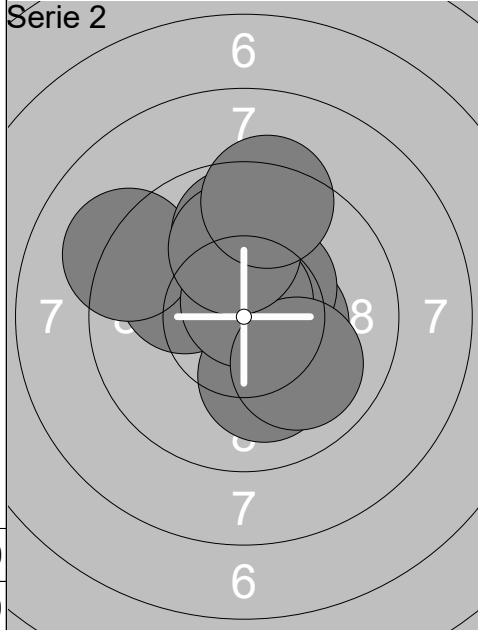
1:	10.4x ↖
2:	10.3x ↖
3:	9.9 →
4:	10.7x ↖
5:	10.2x ↓
6:	9.8 ↓
7:	9.5 ↓
8:	10.1 ←
9:	9.9 ↑
10:	10.5x ↑
Series	101.3
	609.8

Relay	Lane	Alexander Helleskov		
5	5	Trehøje Skytteforening		M
Day 2 Denmark Open Air	09.03.2019	Day 2 Denmark Open Air	Denmark Open Air	
Serie 1		1: 9.9 ↙ 2: 10.6x ➤ 3: 10.5x ↘ 4: 10.2x ← 5: 10.0 ↖ 6: 9.8 ↘ 7: 10.6x ↓ 8: 10.6x ← 9: 10.4x ↖ 10: 9.8 ↗	Serie 2	1: 9.7 ↗ 2: 10.6x ➤ 3: 10.9x ➔ 4: 10.1 ↖ 5: 10.3x ↘ 6: 10.1 ➔ 7: 10.8x ↓ 8: 10.2x ↓ 9: 10.4x ↗ 10: 10.2x ➔
		Series 102.4	Series 103.3	
		102.4	205.7	
Serie 3		1: 9.9 ↗ 2: 10.5x ↓ 3: 10.5x ➤ 4: 9.9 ➔ 5: 9.5 ➔ 6: 10.5x ↑ 7: 10.3x ➔ 8: 10.4x ← 9: 10.0 ↙ 10: 10.7x ↓	Serie 4	1: 10.6x ← 2: 10.6x ↓ 3: 9.8 ↖ 4: 10.6x ↓ 5: 10.4x ↓ 6: 10.3x ↗ 7: 10.8x ↙ 8: 10.3x ↖ 9: 10.2x ↖ 10: 10.0 ←
		Series 102.2	Series 103.6	
		307.9	411.5	
Serie 5		1: 9.8 ← 2: 10.8x ← 3: 10.0 ➔ 4: 9.4 ↖ 5: 10.3x ↗ 6: 10.4x ↓ 7: 9.9 ↑ 8: 10.4x ↓ 9: 10.2x ↖ 10: 10.7x ↓	Serie 6	1: 10.6x ↗ 2: 10.0 ← 3: 10.1 ↖ 4: 10.4x ↓ 5: 10.1 ↑ 6: 10.1 ↗ 7: 9.9 ↖ 8: 10.4x ↙ 9: 10.8x ➔ 10: 10.7x ↓
		Series 101.9	Series 103.1	
		513.4	616.5	

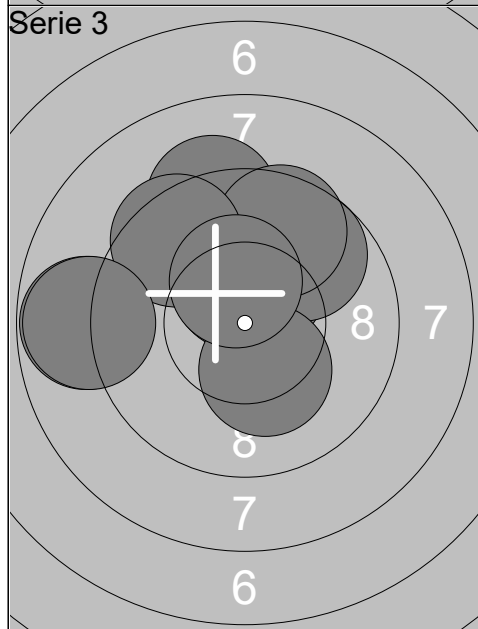
Relay	Lane	Pierre-Edmond Piasecki		
5	6	Day 2 Denmark Open Air	France	M
09.03.2019	Day 2 Denmark Open Air	Denmark Open Air		
<b>Serie 1</b> 	1: 10.7x ↑	<b>Serie 2</b> 	1: 10.5x ↓	
	2: 10.7x ↗		2: 10.3x ↑	
	3: 10.4x ↖		3: 10.5x ↗	
	4: 10.5x ➡		4: 10.5x ↖	
	5: 10.1 ↗		5: 9.9 ↗	
	6: 10.9x ←		6: 10.3x ➡	
	7: 9.8 ↗		7: 9.9 ↗	
	8: 10.1 ↑		8: 10.4x ↑	
	9: 10.6x ↙		9: 10.6x ↑	
	10: 10.2x ↘		10: 10.4x ➡	
	<b>Series</b> 104.0		<b>Series</b> 103.3	
	104.0		207.3	
<b>Serie 3</b> 	1: 10.5x ↑	<b>Serie 4</b> 	1: 10.4x ↗	
	2: 10.5x ↑		2: 10.7x ↓	
	3: 10.6x ↙		3: 10.3x ➡	
	4: 10.6x ↓		4: 10.8x ➡	
	5: 10.5x ➡		5: 10.6x ↙	
	6: 10.0 ↓		6: 9.3 ↓	
	7: 9.4 ➡		7: 10.3x ➡	
	8: 10.3x ↙		8: 10.6x ↖	
	9: 9.8 ➡		9: 10.5x ↙	
	10: 9.9 ➡		10: 10.4x ↙	
	<b>Series</b> 102.1		<b>Series</b> 103.9	
	309.4		413.3	
<b>Serie 5</b> 	1: 10.4x ↗	<b>Serie 6</b> 	1: 10.2x ↙	
	2: 10.3x ↓		2: 10.6x ↓	
	3: 10.5x ↓		3: 10.3x ↓	
	4: 10.3x ↙		4: 10.3x ↘	
	5: 10.6x ↑		5: 10.4x ←	
	6: 10.7x ↓		6: 10.5x ↓	
	7: 10.1 ➡		7: 10.6x ↑	
	8: 10.6x ↓		8: 10.4x ↓	
	9: 10.1 ↓		9: 10.8x ↑	
	10: 10.5x ←		10: 9.9 ↗	
	<b>Series</b> 104.1		<b>Series</b> 104.0	
	517.4		621.4	



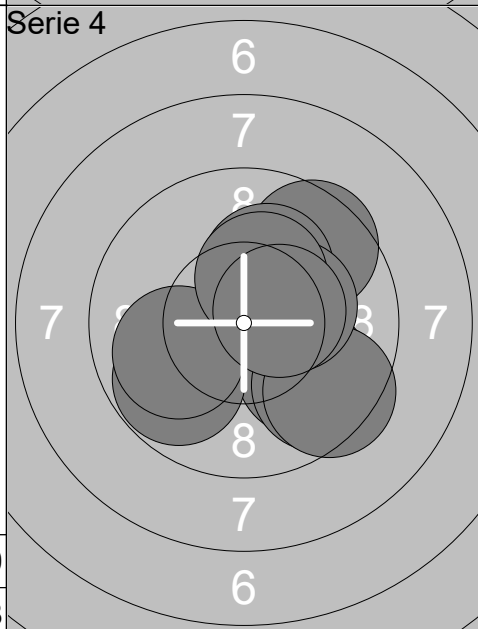
1:	10.3x ↓
2:	9.7 →
3:	10.2x ↖
4:	10.3x ←
5:	8.4 ↖
6:	9.9 ↑
7:	9.9 ↖
8:	10.1 ↓
9:	9.3 ↖
10:	8.9 ←
<b>Series</b>	<b>97.0</b>
	<b>97.0</b>



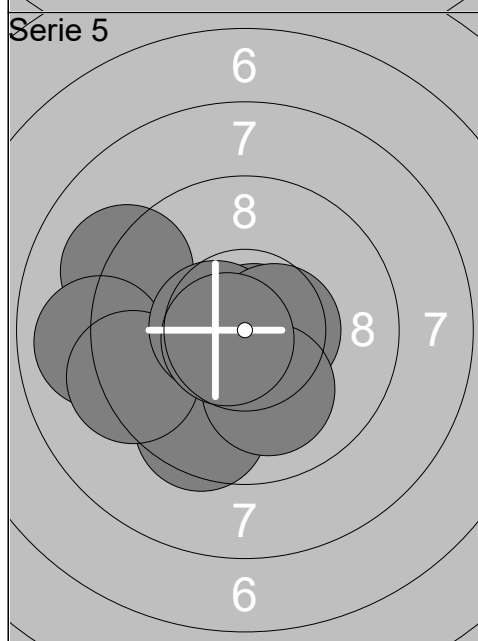
1:	10.4x →
2:	10.0 ↖
3:	10.4x ↗
4:	9.1 ↖
5:	9.8 ↑
6:	10.1 ↓
7:	10.7x ↑
8:	10.0 ↘
9:	10.0 ↑
10:	9.3 ↑
<b>Series</b>	<b>99.8</b>
	<b>196.8</b>



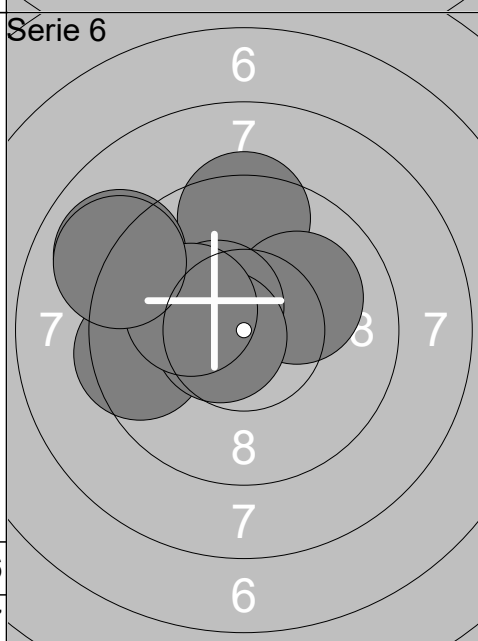
1:	10.4x ↑
2:	10.4x ↑
3:	9.7 ↗
4:	9.2 ↑
5:	8.8 ←
6:	10.2x ↓
7:	9.6 ↑
8:	9.5 ↖
9:	8.8 ←
10:	10.4x ↑
<b>Series</b>	<b>97.0</b>
	<b>293.8</b>



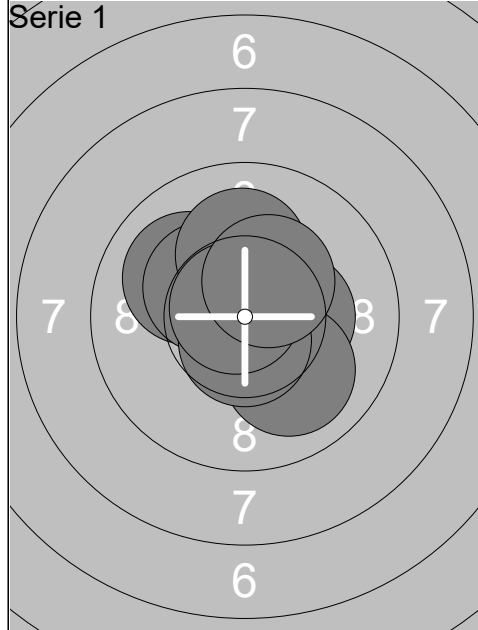
1:	9.5 ↗
2:	9.9 ↘
3:	10.1 ↑
4:	9.6 ↘
5:	9.5 ↘
6:	9.8 ↘
7:	10.2x →
8:	10.0 ←
9:	10.3x ↑
10:	10.4x →
<b>Series</b>	<b>99.3</b>
	<b>393.1</b>



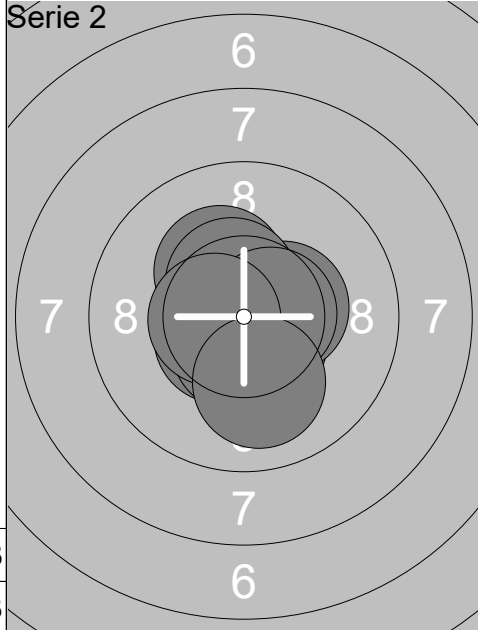
1:	9.1 ↖
2:	10.8x →
3:	10.2x ↓
4:	9.5 ↓
5:	8.9 ←
6:	9.3 ←
7:	10.5x ←
8:	10.5x →
9:	10.1 ↓
10:	10.7x ←
<b>Series</b>	<b>99.6</b>
	<b>492.7</b>



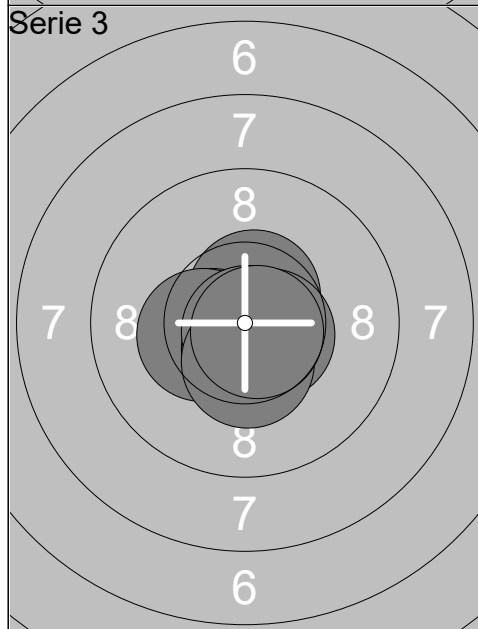
1:	10.0 ↖
2:	10.1 ↑
3:	9.4 ↑
4:	9.5 ←
5:	10.1 ↗
6:	10.4x ↖
7:	10.6x ←
8:	9.0 ↖
9:	10.2x ↖
10:	9.0 ↖
<b>Series</b>	<b>98.3</b>
	<b>591.0</b>



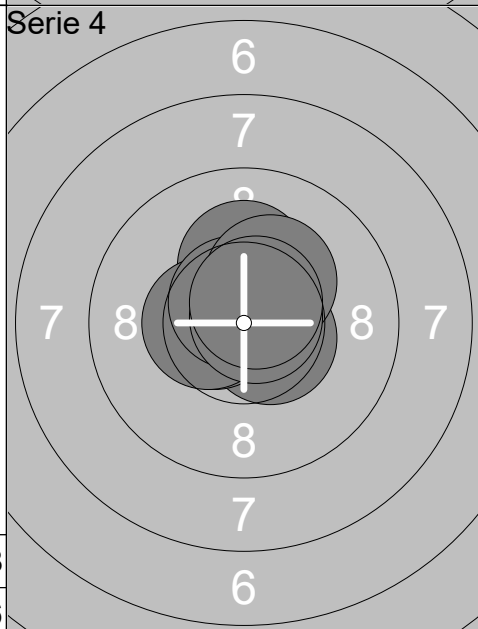
1:	10.5x	→
2:	10.0	↖
3:	10.3x	↖
4:	10.4x	→
5:	10.3x	→
6:	10.1	↑
7:	10.0	↘
8:	10.6x	↓
9:	10.8x	↖
10:	10.3x	↗
Series	103.3	
	103.3	



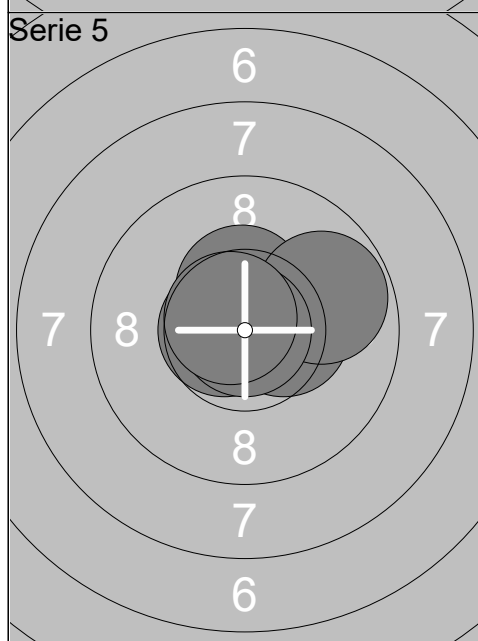
1:	10.5x	↘
2:	10.4x	→
3:	10.7x	→
4:	10.5x	↙
5:	10.3x	↖
6:	10.5x	↓
7:	10.5x	↖
8:	10.6x	→
9:	10.5x	←
10:	10.0	↓
Series	104.5	
	207.8	



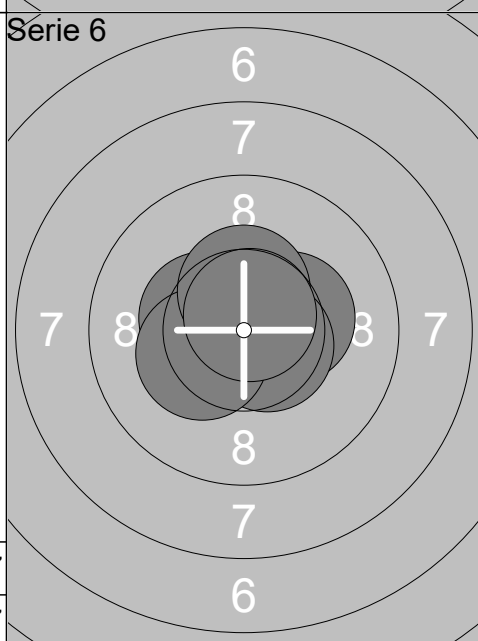
1:	10.7x	↓
2:	10.6x	↓
3:	10.6x	↗
4:	10.5x	←
5:	10.3x	←
6:	10.6x	↓
7:	10.6x	→
8:	10.8x	↓
9:	10.4x	↓
10:	10.7x	↘
Series	105.8	
	313.6	



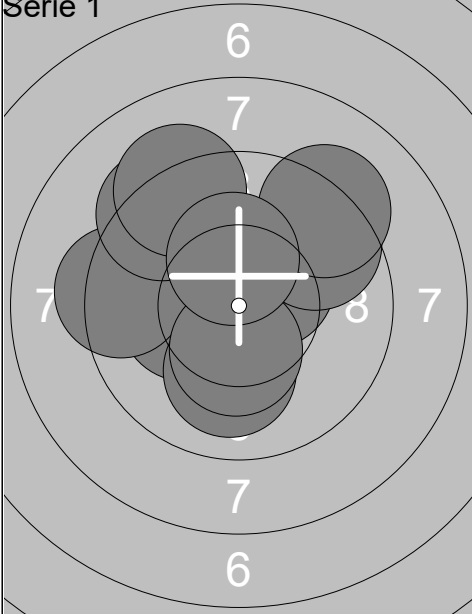
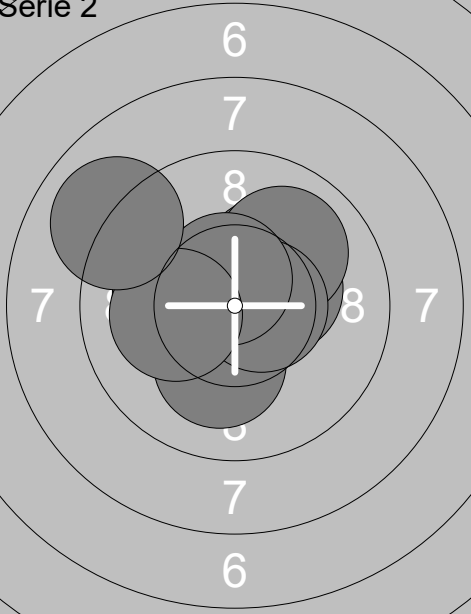
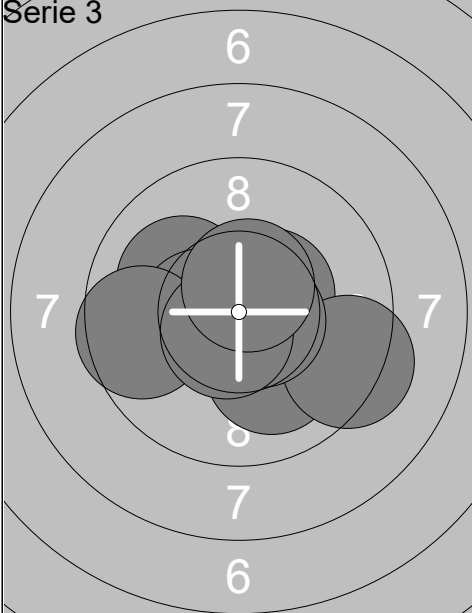
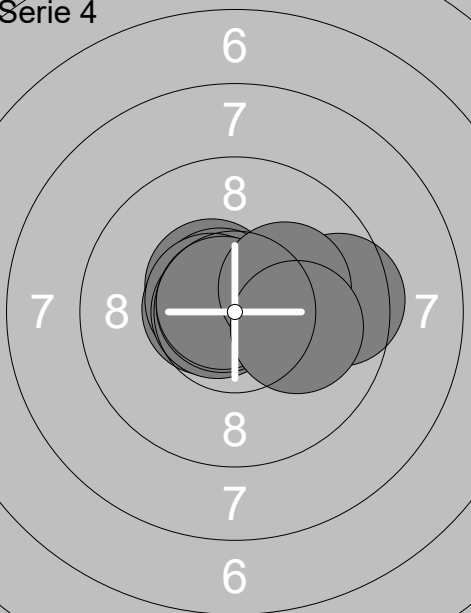
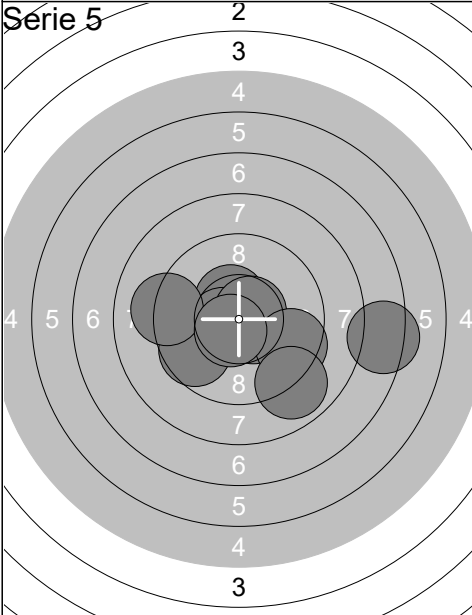
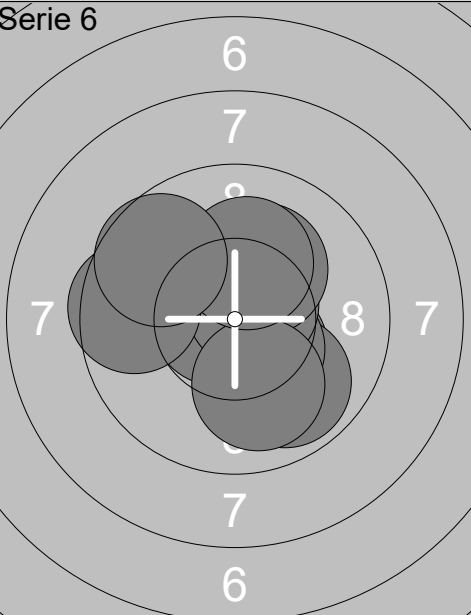
1:	10.5x	↘
2:	10.8x	↖
3:	10.5x	←
4:	10.7x	↑
5:	10.2x	↑
6:	10.5x	←
7:	10.6x	↖
8:	10.3x	↗
9:	10.7x	→
10:	10.6x	↗
Series	105.4	
	419.0	

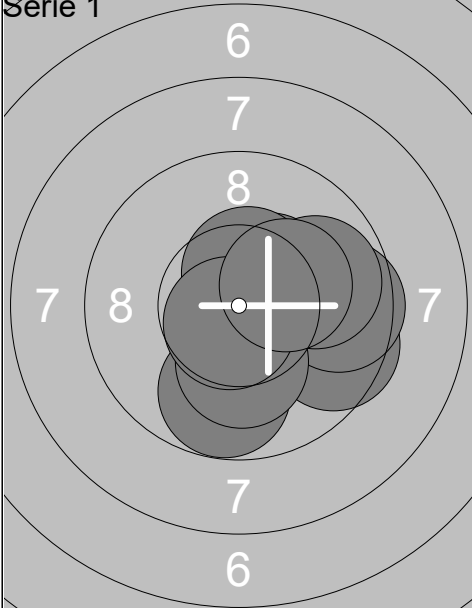
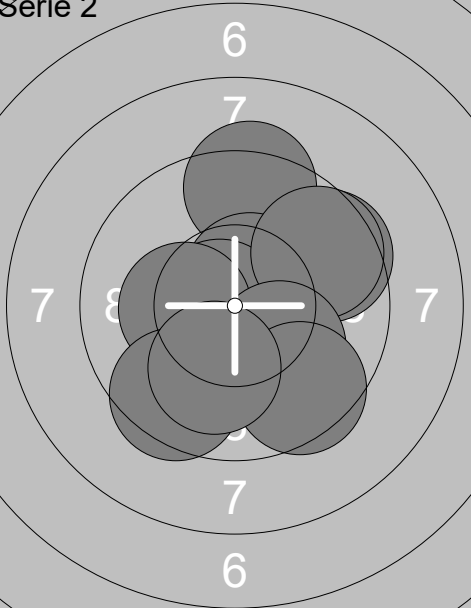
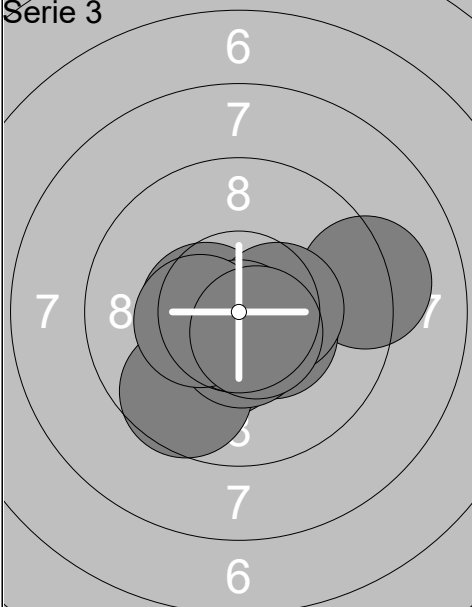
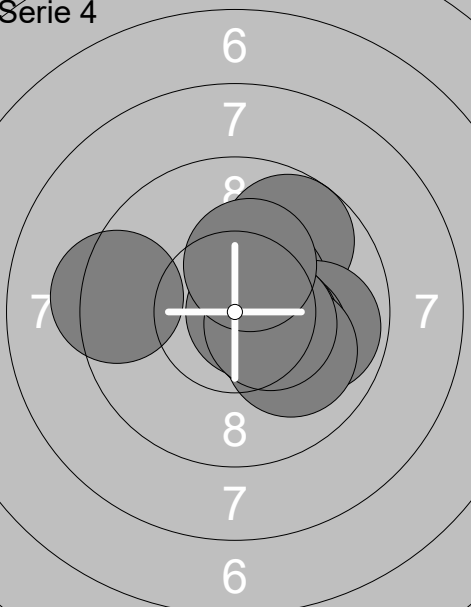
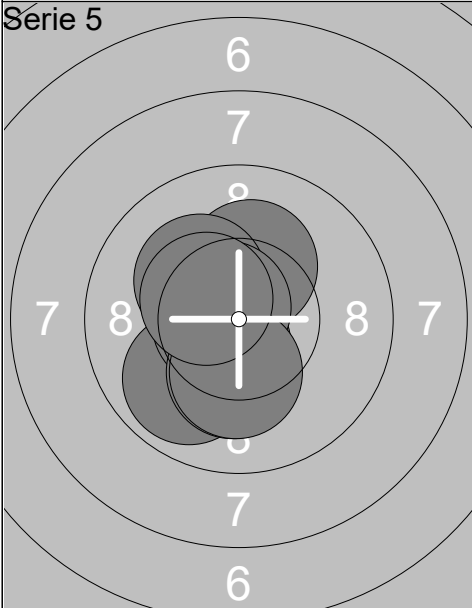
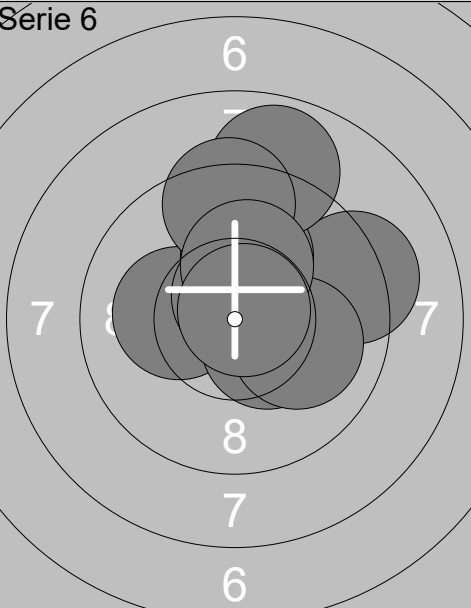


1:	10.9x	↑
2:	10.6x	↑
3:	10.7x	←
4:	10.5x	↑
5:	10.4x	↑
6:	10.4x	→
7:	10.8x	↖
8:	9.8	→
9:	10.9x	
10:	10.7x	↖
Series	105.7	
	524.7	



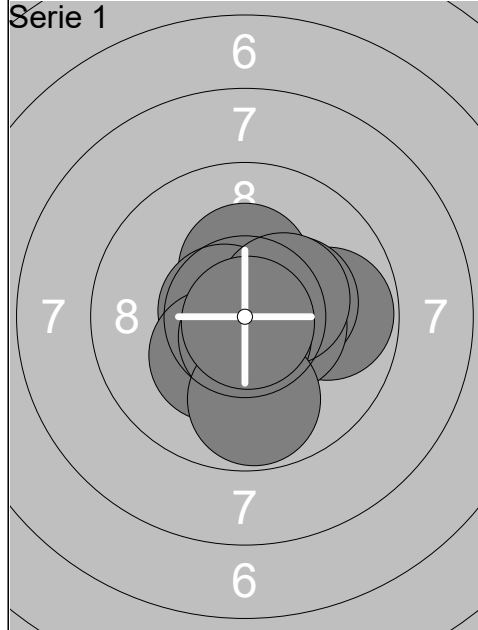
1:	10.6x	→
2:	10.6x	→
3:	10.5x	←
4:	10.8x	→
5:	10.3x	→
6:	10.4x	←
7:	10.5x	↘
8:	10.3x	↙
9:	10.4x	↑
10:	10.7x	↗
Series	105.1	
	629.8	

Relay	Lane	Jeppe Dammark		
5	10			
Day 2 Denmark Open Air		Helle Skytteforening	M	
09.03.2019	Day 2 Denmark Open Air	Denmark Open Air		
Serie 1		1: 10.4x ↗ 2: 9.6 ↗ 3: 10.2x ← 4: 9.3 ← 5: 9.3 ↗ 6: 9.2 ↗ 7: 10.0 ↓ 8: 9.2 ↗ 9: 10.3x ↓ 10: 10.3x ↑ Series 97.8 97.8	Serie 2 	1: 10.2x ↗ 2: 10.1 ← 3: 10.3x → 4: 10.0 ↗ 5: 10.5x ↖ 6: 10.2x ↓ 7: 10.6x → 8: 10.6x ↑ 9: 10.1 ← 10: 9.0 ↖ Series 101.6 199.4
Serie 3		1: 10.1 ← 2: 10.4x ← 3: 10.9x 4: 10.5x → 5: 9.6 ← 6: 10.0 ↓ 7: 9.3 → 8: 10.6x → 9: 10.6x ↓ 10: 10.5x ↑ Series 102.5 301.9	Serie 4 	1: 10.4x ↖ 2: 10.6x ↖ 3: 10.6x ← 4: 10.6x ↖ 5: 10.7x ← 6: 10.7x ↖ 7: 9.5 → 8: 10.7x ↖ 9: 10.2x → 10: 10.1 → Series 104.1 406.0
Serie 5		1: 10.4x ↖ 2: 10.5x ← 3: 9.6 ← 4: 10.5x → 5: 10.6x → 6: 9.5 → 7: 9.2 ← 8: 10.6x ↓ 9: 8.9 ↓ 10: 7.4 → Series 97.2 503.2	Serie 6 	1: 10.4x ↓ 2: 9.8 ↓ 3: 10.4x ↓ 4: 10.7x ← 5: 10.6x → 6: 10.2x ↑ 7: 10.0 ↓ 8: 9.6 ← 9: 10.1 ↑ 10: 9.6 ↖ Series 101.4 604.6

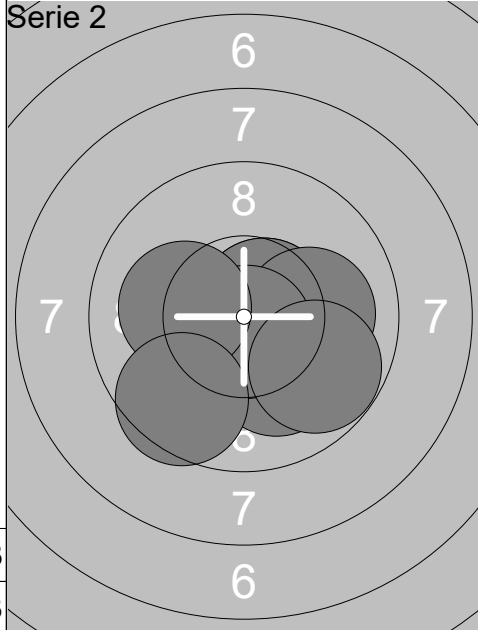
Relay	Lane	Jens Frimann		
5	11			
Day 2 Denmark Open Air	Næstved Skytteforening	M		
09.03.2019	Day 2 Denmark Open Air	Denmark Open Air		
Serie 1		1: 9.5 → 2: 9.8 ↓ 3: 9.9 → 4: 10.4x ↗ 5: 9.6 → 6: 10.2x ↓ 7: 9.9 → 8: 10.5x ↑ 9: 10.7x ↓ 10: 10.2x → Series 100.7 100.7	Serie 2 	1: 9.3 ↑ 2: 9.5 → 3: 10.5x ↗ 4: 10.8x ← 5: 10.2x ← 6: 9.6 → 7: 10.1 ↘ 8: 9.5 ↘ 9: 9.5 ↓ 10: 10.0 ↓ Series 99.0 199.7
Serie 3		1: 9.1 → 2: 10.3x ↓ 3: 9.6 ↓ 4: 10.4x ↘ 5: 10.5x ↓ 6: 10.5x ← 7: 10.4x → 8: 10.7x ↓ 9: 10.4x ← 10: 10.5x ↘ Series 102.4 302.1	Serie 4 	1: 9.7 ↗ 2: 10.4x ↗ 3: 9.8 → 4: 10.2x ↘ 5: 10.4x → 6: 10.7x → 7: 10.0 ↘ 8: 10.4x → 9: 10.2x ↑ 10: 9.3 ← Series 101.1 403.2
Serie 5		1: 10.5x ↘ 2: 10.5x ↓ 3: 9.9 ↓ 4: 10.2x ↑ 5: 10.2x ↗ 6: 10.7x ← 7: 10.7x ↗ 8: 10.2x ↓ 9: 10.2x ↓ 10: 10.4x ↗ Series 103.5 506.7	Serie 6 	1: 10.2x ← 2: 10.6x ↑ 3: 9.2 → 4: 10.1 ↑ 5: 8.9 ↑ 6: 10.4x ↘ 7: 9.4 ↑ 8: 10.0 → 9: 10.2x ↑ 10: 10.8x ↗ Series 99.8 606.5



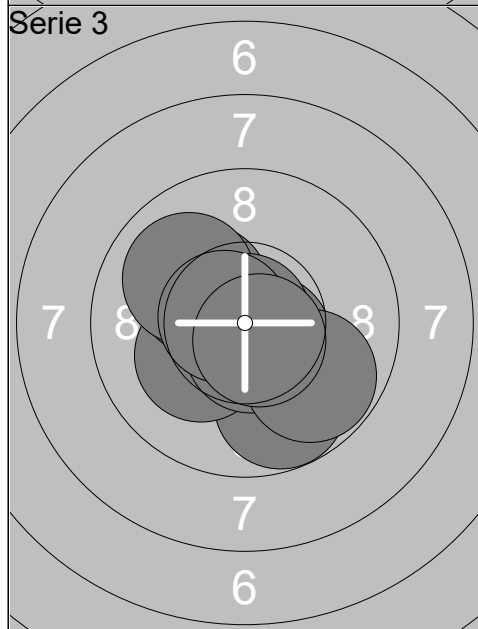
Relay	Lane	Mikkel Damholt	
5	12		
Day 2 Denmark Open Air	Trehøje Skytteforening	M	
09.03.2019	Day 2 Denmark Open Air	Denmark Open Air	
<b>Serie 1</b>	1: 10.0 → 2: 10.5x ↙ 3: 10.5x → 4: 10.7x ↓ 5: 10.3x ↓ 6: 10.4x ↖ 7: 10.1 ↓ 8: 10.3x ↓ 9: 10.3x ↖ 10: 10.8x ↑ <b>Series 103.9</b> 103.9	<b>Serie 2</b>	1: 10.7x ↓ 2: 10.5x ↑ 3: 10.7x ↓ 4: 10.7x ↗ 5: 10.5x ↓ 6: 10.3x ↓ 7: 10.3x ↑ 8: 10.8x → 9: 10.2x ↗ 10: 9.9 ← <b>Series 104.6</b> 208.5
<b>Serie 3</b>	1: 10.3x ↓ 2: 10.3x ↗ 3: 10.6x ↙ 4: 10.2x → 5: 9.8 ↑ 6: 9.9 → 7: 10.6x → 8: 10.1 ↖ 9: 10.8x → 10: 10.3x ↑ <b>Series 102.9</b> 311.4	<b>Serie 4</b>	1: 10.8x ↑ 2: 10.4x ↑ 3: 10.4x → 4: 10.6x ↓ 5: 10.4x ↖ 6: 10.4x ↑ 7: 10.4x ↑ 8: 10.8x ↙ 9: 10.5x ↙ 10: 10.8x → <b>Series 105.5</b> 416.9
<b>Serie 5</b>	1: 10.5x → 2: 10.4x ← 3: 10.5x ← 4: 10.6x ↓ 5: 10.5x ↓ 6: 10.2x ← 7: 10.9x → 8: 10.8x ↖ 9: 10.4x ↗ 10: 9.9 ↘ <b>Series 104.7</b> 521.6	<b>Serie 6</b>	1: 10.2x → 2: 10.1 ↖ 3: 10.5x ↓ 4: 10.3x ← 5: 10.7x ← 6: 10.8x ↓ 7: 10.3x ↙ 8: 10.6x ↓ 9: 9.5 ↖ 10: 10.6x ↗ <b>Series 103.6</b> 625.2



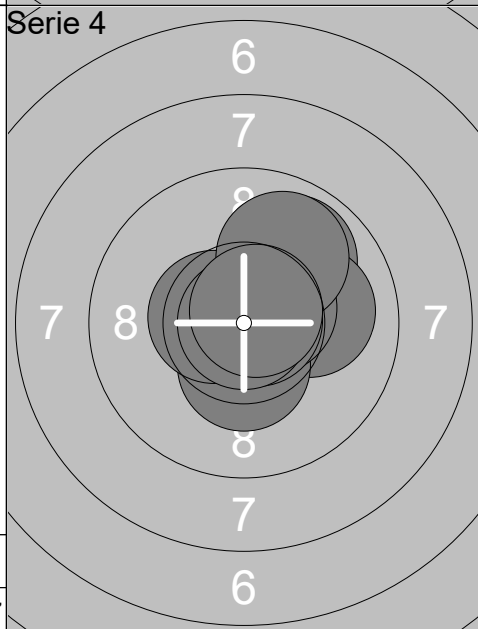
1:	9.8	→
2:	10.3x	↑
3:	10.6x	↙
4:	10.3x	↘
5:	10.3x	→
6:	10.4x	→
7:	10.3x	→
8:	10.7x	↓
9:	9.8	↓
10:	10.8x	↓
<b>Series</b>	<b>103.3</b>	
	<b>103.3</b>	



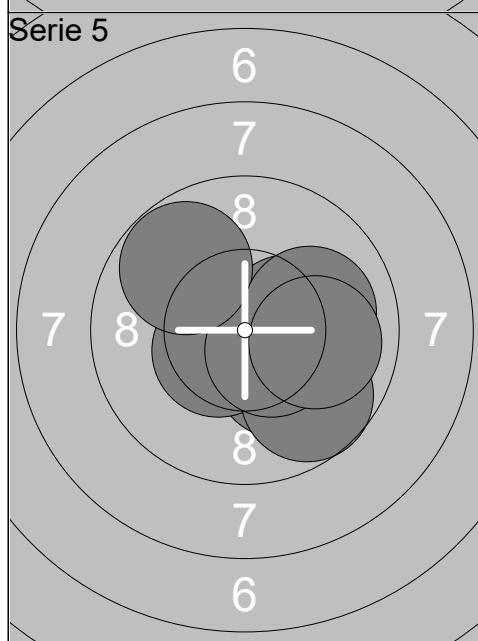
1:	10.6x	↗
2:	10.3x	↓
3:	10.6x	↓
4:	10.1	↓
5:	10.6x	↗
6:	10.1	→
7:	10.7x	↓
8:	10.1	←
9:	9.7	↘
10:	9.5	↘
<b>Series</b>	<b>102.3</b>	
	<b>205.6</b>	



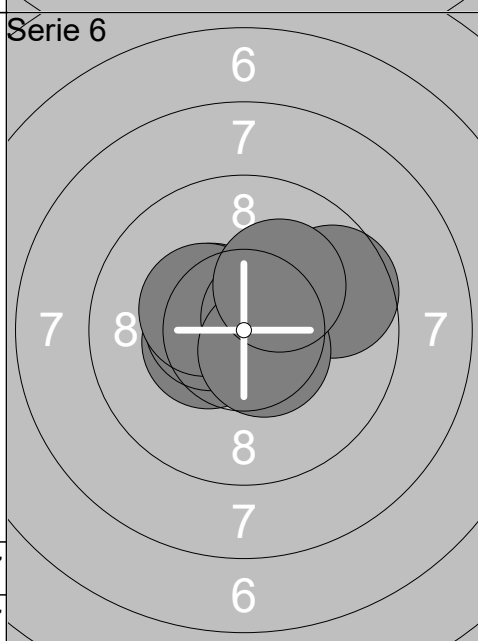
1:	9.7	↓
2:	10.2x	↙
3:	10.2x	↖
4:	10.0	↖
5:	10.6x	↓
6:	10.5x	↘
7:	9.8	↘
8:	10.9x	↑
9:	10.6x	↙
10:	10.6x	↓
<b>Series</b>	<b>103.1</b>	
	<b>308.7</b>	



1:	9.9	↗
2:	10.0	→
3:	10.4x	↓
4:	10.7x	↗
5:	10.5x	↗
6:	10.8x	→
7:	10.5x	↙
8:	10.9x	
9:	9.9	↗
10:	10.7x	↗
<b>Series</b>	<b>104.3</b>	
	<b>413.0</b>	



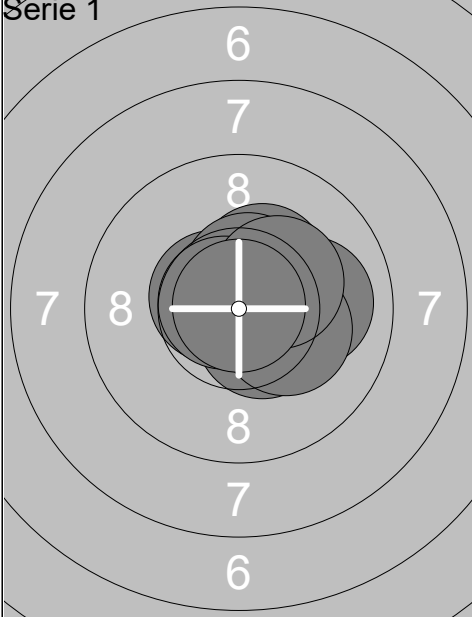
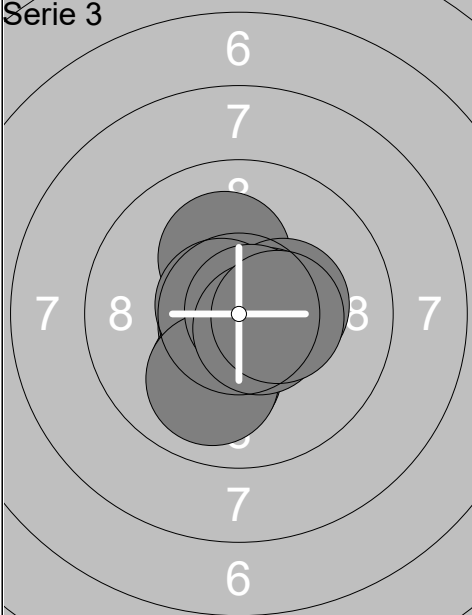
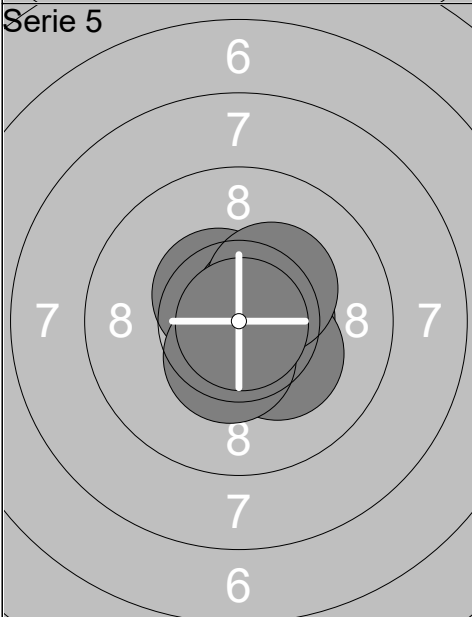
1:	10.6x	↙
2:	10.2x	↘
3:	10.5x	↙
4:	9.7	↓
5:	10.2x	→
6:	10.3x	→
7:	10.5x	↘
8:	9.8	↗
9:	10.0	→
10:	9.9	→
<b>Series</b>	<b>101.7</b>	
	<b>514.7</b>	

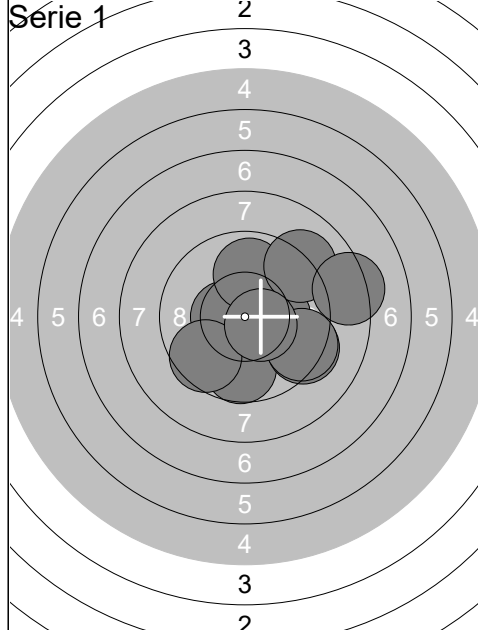


1:	10.4x	↖
2:	10.4x	↖
3:	10.4x	↙
4:	10.7x	↙
5:	10.5x	↙
6:	10.3x	↖
7:	10.6x	↗
8:	9.6	↗
9:	10.5x	↘
10:	10.2x	↗
<b>Series</b>	<b>103.6</b>	
	<b>618.3</b>	

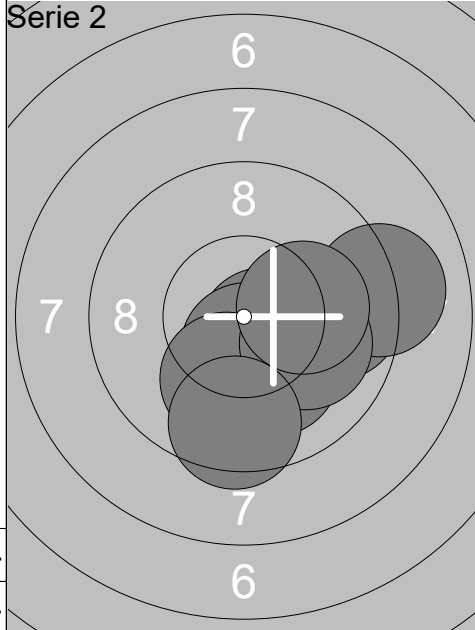
Relay	Lane	Henrik Strand		
5	14			
Day 2 Denmark Open Air		Viborg Skytte Forening	M	
09.03.2019		Day 2 Denmark Open Air	Denmark Open Air	
<b>Serie 1</b> 		1: 10.5x ↖ 2: 10.6x ↓ 3: 10.0 ↗ 4: 10.7x ↗ 5: 10.1 ↗ 6: 9.7 ← 7: 9.7 ↗ 8: 10.4x ↓ 9: 9.9 ← 10: 10.7x ↖ Series 102.3 102.3	<b>Serie 2</b> 	1: 10.2x → 2: 9.8 ↗ 3: 10.4x ↙ 4: 9.8 ↓ 5: 9.2 ← 6: 10.5x ↓ 7: 10.6x → 8: 10.3x ← 9: 10.3x ↗ 10: 10.3x ↓ Series 101.4 203.7
<b>Serie 3</b> 		1: 9.7 ↗ 2: 9.9 ↓ 3: 9.9 ← 4: 10.6x ↓ 5: 10.5x ↙ 6: 10.3x ↓ 7: 10.7x → 8: 10.8x ↗ 9: 10.8x ↗ 10: 10.5x ↗ Series 103.7 307.4	<b>Serie 4</b> 	1: 10.0 ↖ 2: 10.5x → 3: 10.1 ↙ 4: 10.2x ← 5: 9.6 → 6: 10.0 ← 7: 10.1 ↓ 8: 10.4x ↗ 9: 10.4x → 10: 10.1 ↓ Series 101.4 408.8
<b>Serie 5</b> 		1: 10.2x ← 2: 9.9 ← 3: 9.8 ↓ 4: 10.0 ← 5: 10.8x ← 6: 9.3 ← 7: 10.4x ↗ 8: 10.6x ↗ 9: 10.5x ↙ 10: 9.6 → Series 101.1 509.9	<b>Serie 6</b> 	1: 10.5x → 2: 10.1 ↗ 3: 10.2x ↗ 4: 10.5x → 5: 10.5x ↙ 6: 10.3x ↓ 7: 10.8x → 8: 9.9 ↓ 9: 9.7 → 10: 10.5x ↘ Series 103.0 612.9

Relay	Lane	Nickolai Malte Kristensen	
5	15		
Day 2 Denmark Open Air	Århus Riffelskytte Klub	M	
09.03.2019	Day 2 Denmark Open Air	Denmark Open Air	
<b>Serie 1</b>	1: 9.7 ↑ 2: 10.5x ↗ 3: 10.0 ↑ 4: 10.7x ↖ 5: 10.8x ↘ 6: 10.4x ↙ 7: 9.9 ← 8: 9.1 ↓ 9: 10.4x → 10: 10.0 ↖ <b>Series 101.5</b> 101.5	<b>Serie 2</b>	1: 10.1 ↘ 2: 10.8x ← 3: 10.4x ↘ 4: 10.6x → 5: 10.7x → 6: 9.7 ↓ 7: 10.4x ↗ 8: 10.5x ← 9: 10.7x ↗ 10: 9.1 ← <b>Series 103.0</b> 204.5
<b>Serie 3</b>	1: 10.1 ↗ 2: 9.7 → 3: 10.7x ↘ 4: 10.2x ↗ 5: 10.3x ↓ 6: 9.8 ↖ 7: 10.1 ↗ 8: 10.3x ↑ 9: 10.1 ← 10: 9.9 ↘ <b>Series 101.2</b> 305.7	<b>Serie 4</b>	1: 9.9 ↑ 2: 10.6x ← 3: 10.3x ↖ 4: 10.9x ← 5: 10.4x ← 6: 10.1 ← 7: 10.3x → 8: 10.6x ↑ 9: 10.4x ↘ 10: 9.8 ↖ <b>Series 103.3</b> 409.0
<b>Serie 5</b>	1: 9.7 → 2: 10.6x → 3: 10.5x ↗ 4: 10.0 → 5: 10.8x ← 6: 10.0 ↗ 7: 10.6x ← 8: 10.8x → 9: 10.3x ↖ 10: 10.6x ← <b>Series 103.9</b> 512.9	<b>Serie 6</b>	1: 9.2 ← 2: 10.8x ← 3: 9.7 ← 4: 10.8x ↑ 5: 10.7x ↑ 6: 10.4x ↗ 7: 10.2x ↓ 8: 10.2x ↗ 9: 9.7 ← 10: 10.4x ↑ <b>Series 102.1</b> 615.0

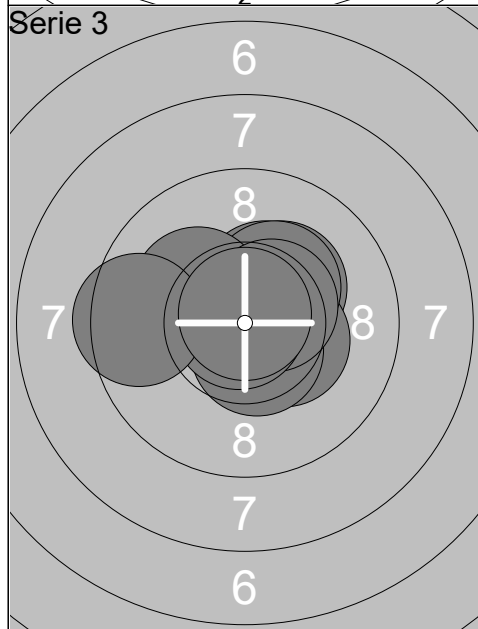
Relay	Lane	Etienne Germond		
5	16	France		M
Day 2 Denmark Open Air	09.03.2019	Day 2 Denmark Open Air	Denmark Open Air	
<b>Serie 1</b>		1: 10.6x → 2: 10.0 → 3: 10.6x ↙ 4: 10.3x ↗ 5: 10.5x ↗ 6: 10.5x ↘ 7: 10.7x ↙ 8: 10.2x → 9: 10.3x ↗ 10: 10.9x ↗ <b>Series 104.6</b> 104.6	<b>Serie 2</b>	1: 10.1 → 2: 10.3x ↙ 3: 10.7x ↘ 4: 10.2x ↗ 5: 10.2x → 6: 10.8x ↘ 7: 10.0 → 8: 10.4x ↙ 9: 9.9 ↙ 10: 10.6x ↘ <b>Series 103.2</b> 207.8
<b>Serie 3</b>		1: 10.1 ↗ 2: 10.7x ↙ 3: 10.3x → 4: 10.6x → 5: 10.1 ↘ 6: 10.7x ↙ 7: 10.0 ↘ 8: 10.8x → 9: 10.6x ↘ 10: 10.4x → <b>Series 104.3</b> 312.1	<b>Serie 4</b>	1: 10.6x ↙ 2: 10.9x → 3: 10.3x ↙ 4: 10.7x ↘ 5: 10.4x ↗ 6: 10.4x ↙ 7: 10.3x ↙ 8: 10.5x → 9: 10.5x ↙ 10: 10.5x ↙ <b>Series 105.1</b> 417.2
<b>Serie 5</b>		1: 10.5x ↙ 2: 10.7x ↘ 3: 10.8x ↘ 4: 10.6x ↗ 5: 10.6x → 6: 10.5x → 7: 10.2x ↘ 8: 10.4x ↘ 9: 10.3x ↗ 10: 10.9x ↘ <b>Series 105.5</b> 522.7	<b>Serie 6</b>	1: 10.6x ↗ 2: 10.5x → 3: 10.5x ↙ 4: 10.7x ↗ 5: 10.2x ↙ 6: 10.5x → 7: 10.4x → 8: 10.4x ↙ 9: 10.8x ↙ 10: 10.0 ↗ <b>Series 104.6</b> 627.3



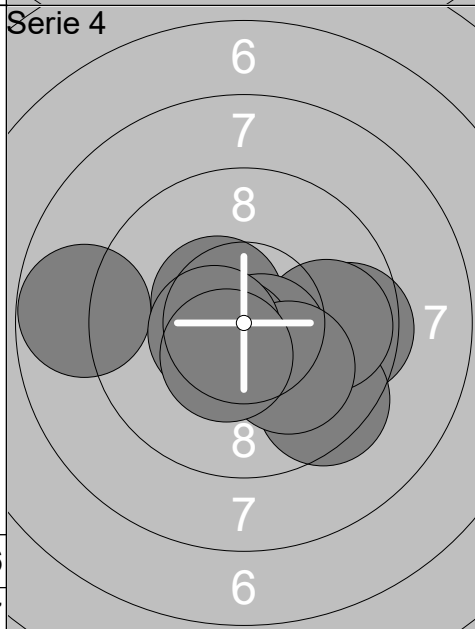
1:	10.2x →
2:	9.7 ↓
3:	10.5x ←
4:	9.6 ↙
5:	9.9 ↑
6:	9.1 ↗
7:	9.3 ➤
8:	9.3 ➤
9:	8.3 ➤
10:	10.5x ➤
<b>Series</b>	<b>96.4</b>
	<b>96.4</b>



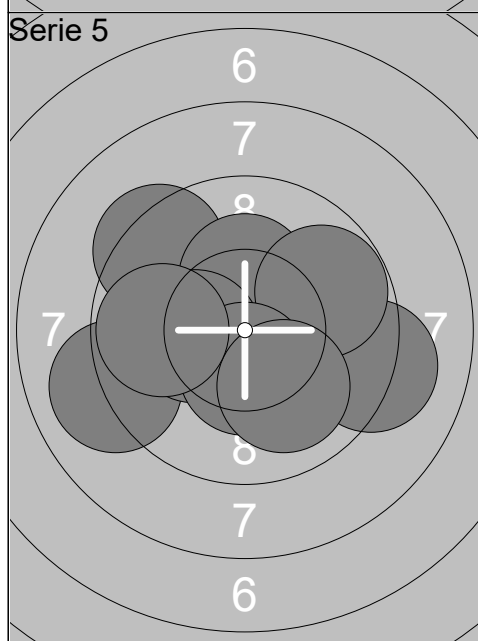
1:	10.6x ↘
2:	10.1 ↓
3:	9.7 →
4:	10.0 →
5:	10.5x ↓
6:	9.1 →
7:	10.1 ↓
8:	10.0 ➤
9:	10.1 →
10:	9.5 ↓
<b>Series</b>	<b>99.7</b>
	<b>196.1</b>



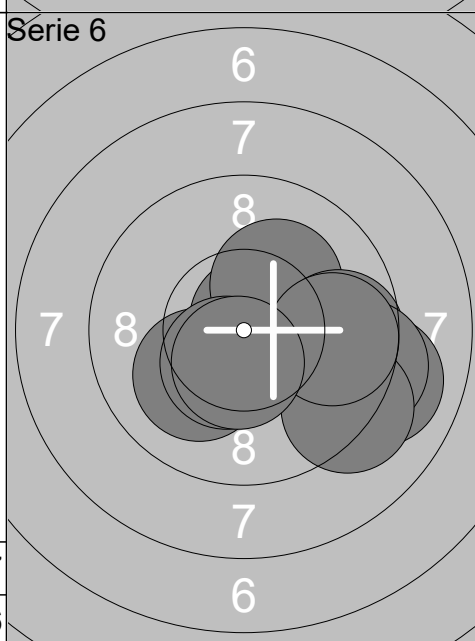
1:	10.2x ↗
2:	10.4x ➤
3:	10.4x ↗
4:	10.3x ↗
5:	10.5x ↓
6:	10.2x ↖
7:	10.5x ↗
8:	10.8x ←
9:	9.5 ←
10:	10.8x ↑
<b>Series</b>	<b>103.6</b>
	<b>299.7</b>



1:	9.5 →
2:	10.5x ↖
3:	9.4 ↘
4:	9.8 →
5:	10.6x ↘
6:	10.6x ↙
7:	10.1 ↓
8:	8.8 ←
9:	10.5x ←
10:	10.4x ↓
<b>Series</b>	<b>100.2</b>
	<b>399.9</b>



1:	9.1 ➤
2:	9.0 ←
3:	10.8x ↓
4:	9.3 ↖
5:	10.3x ↑
6:	9.8 ↗
7:	10.2x ←
8:	10.4x ↓
9:	10.0 ↓
10:	9.8 ←
<b>Series</b>	<b>98.7</b>
	<b>498.6</b>



1:	10.7x ↗
2:	10.2x ↗
3:	9.0 ➤
4:	10.1 ↙
5:	9.6 ➤
6:	9.3 ➤
7:	9.2 ↘
8:	9.7 ➤
9:	10.4x ↓
10:	10.5x ↓
<b>Series</b>	<b>98.7</b>
	<b>597.3</b>