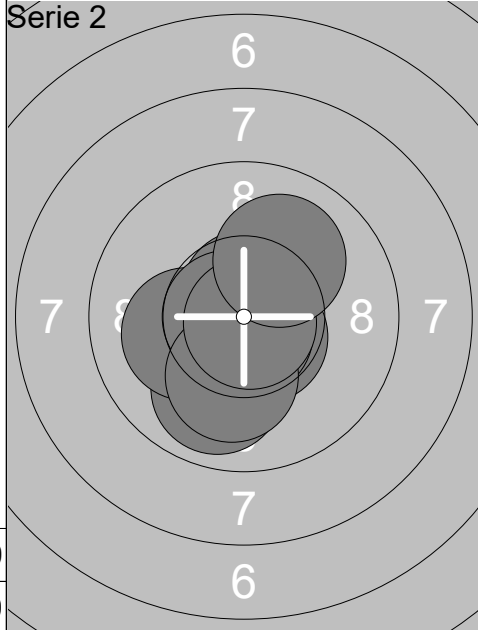
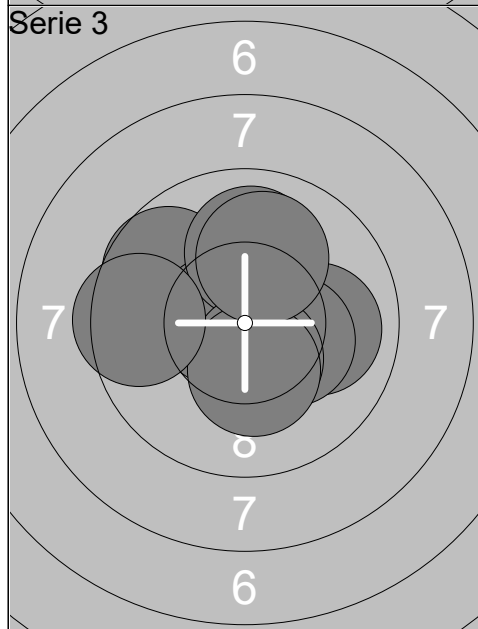


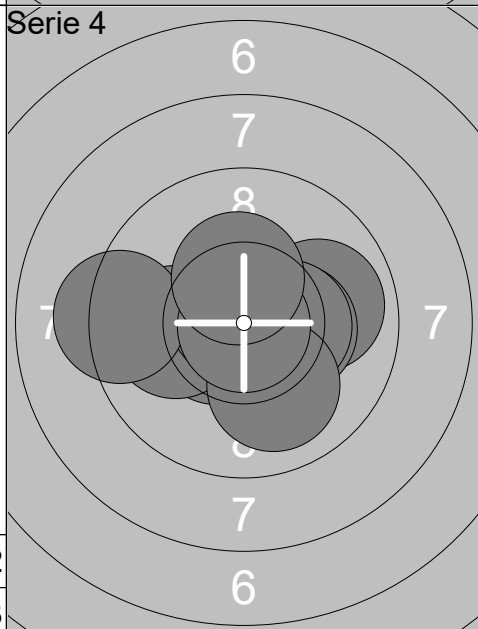
1:	9.3	←
2:	9.9	←
3:	10.2x	↗
4:	10.2x	↘
5:	10.3x	↗
6:	10.7x	↗
7:	9.4	↘
8:	10.3x	↗
9:	9.6	←
10:	10.0	←
<b>Series</b>	<b>99.9</b>	
	<b>99.9</b>	



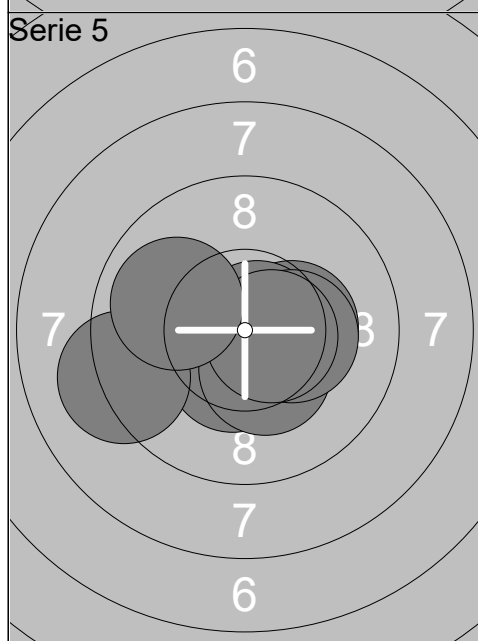
1:	10.6x	↘
2:	10.7x	←
3:	9.9	↘
4:	10.1	←
5:	10.6x	↗
6:	10.7x	↘
7:	10.7x	←
8:	10.1	↘
9:	10.8x	↘
10:	10.0	↗
<b>Series</b>	<b>104.2</b>	
	<b>204.1</b>	



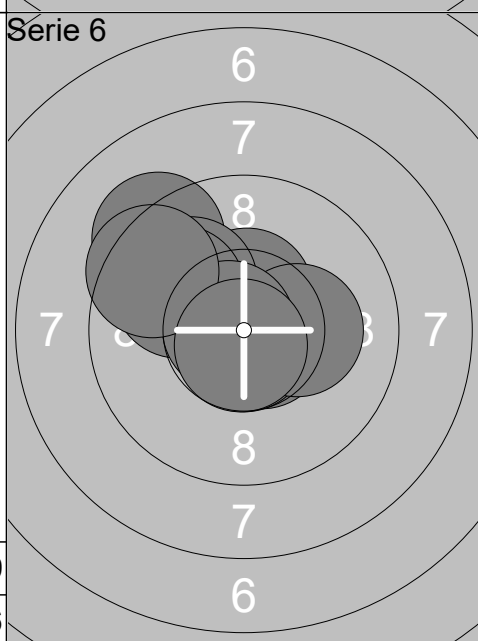
1:	9.7	↖
2:	10.4x	↘
3:	10.0	→
4:	10.6x	←
5:	10.0	↗
6:	10.3x	→
7:	10.4x	↘
8:	10.3x	↘
9:	9.5	←
10:	10.0	↗
<b>Series</b>	<b>101.2</b>	
	<b>305.3</b>	



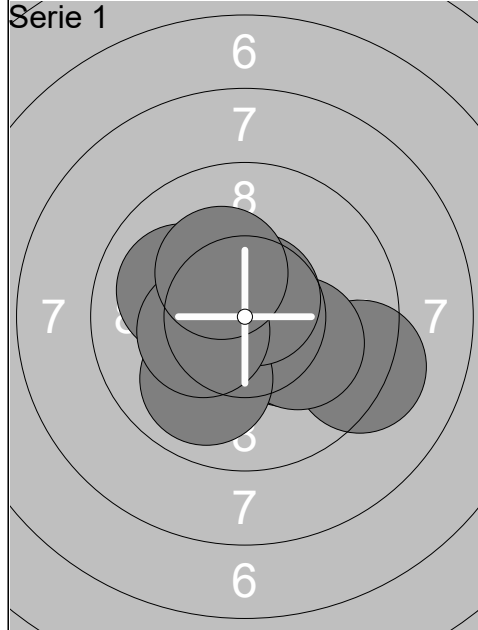
1:	9.9	→
2:	10.3x	→
3:	10.5x	↖
4:	10.0	←
5:	10.8x	↖
6:	10.4x	→
7:	9.3	←
8:	10.0	↘
9:	10.9x	↘
10:	10.3x	↗
<b>Series</b>	<b>102.4</b>	
	<b>407.7</b>	



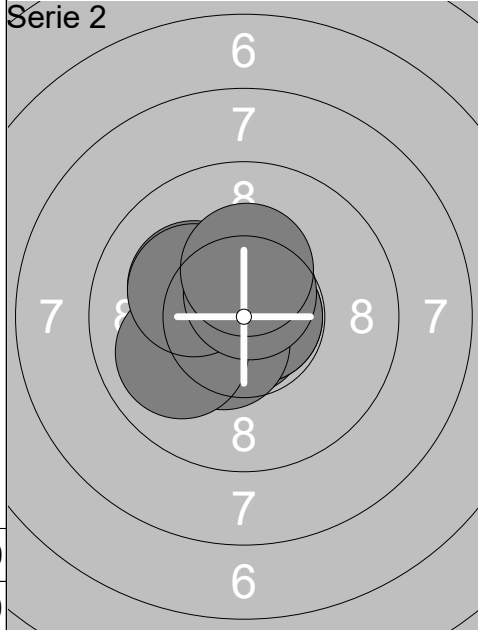
1:	10.5x	↘
2:	10.3x	→
3:	10.4x	↘
4:	10.5x	↘
5:	10.8x	→
6:	10.4x	↘
7:	10.3x	→
8:	10.6x	→
9:	9.2	←
10:	9.9	←
<b>Series</b>	<b>102.9</b>	
	<b>510.6</b>	



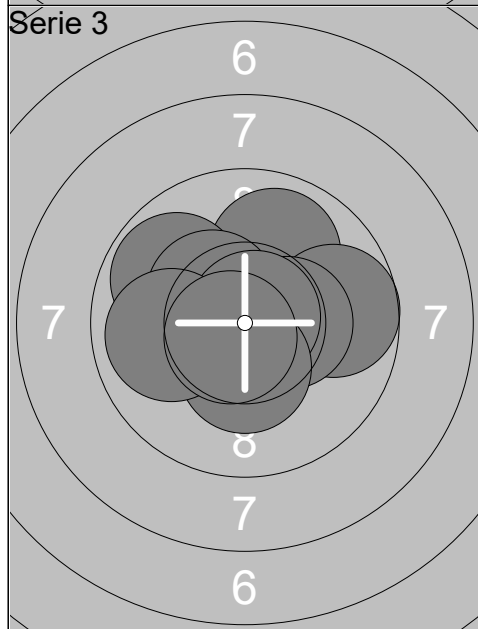
1:	10.6x	↘
2:	9.2	↖
3:	10.7x	↘
4:	10.4x	↗
5:	10.0	↖
6:	10.2x	→
7:	9.9	↖
8:	10.7x	←
9:	9.5	↖
10:	10.7x	↘
<b>Series</b>	<b>101.9</b>	
	<b>612.5</b>	



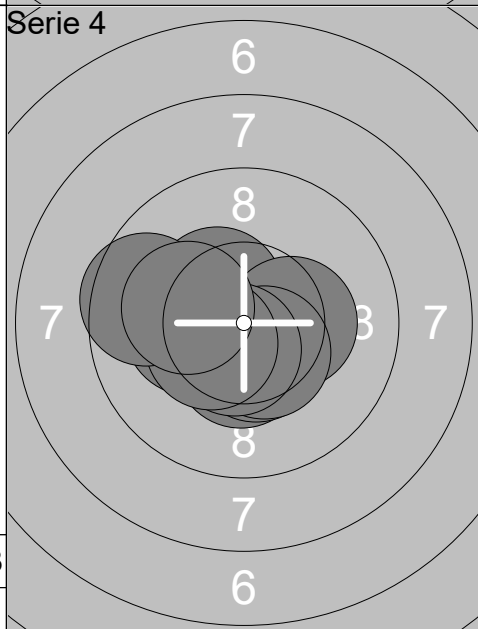
1:	10.8x →
2:	9.2 ↘
3:	10.3x ↘
4:	10.1 ↘
5:	10.5x ←
6:	9.9 ↓
7:	10.0 ←
8:	10.7x ↗
9:	10.3x ←
10:	10.2x ↖
<b>Series</b>	<b>102.0</b>
	<b>102.0</b>



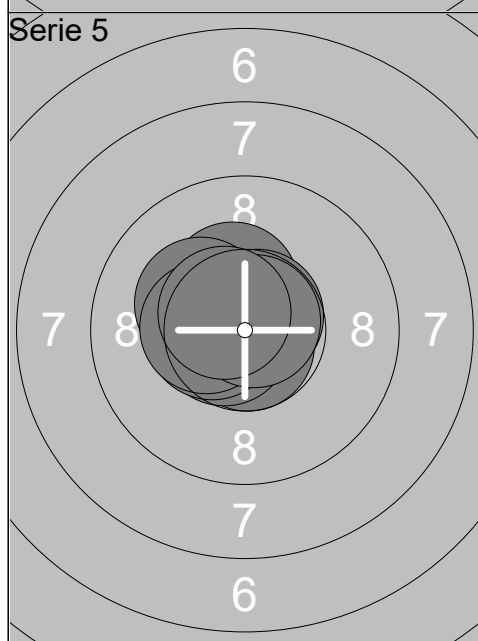
1:	10.1 ↖
2:	10.8x ↓
3:	10.8x →
4:	10.7x ↑
5:	10.8x →
6:	10.5x ↙
7:	10.0 ←
8:	10.2x ↖
9:	10.6x ↑
10:	10.3x ↑
<b>Series</b>	<b>104.8</b>
	<b>206.8</b>



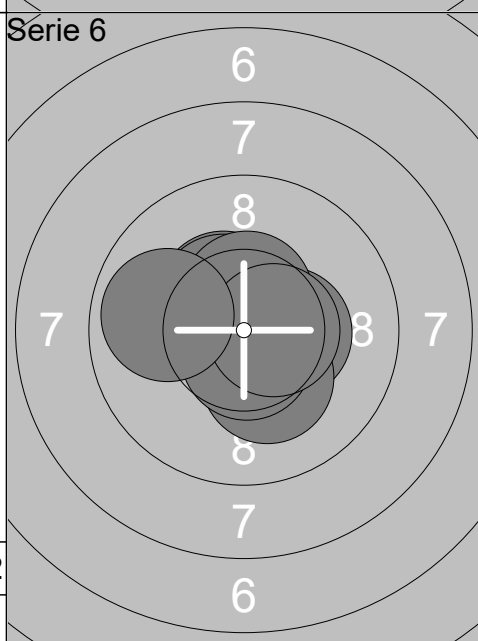
1:	10.4x ↑
2:	9.9 ↑
3:	9.7 →
4:	9.8 ←
5:	10.4x →
6:	10.4x ↖
7:	10.8x ↗
8:	10.3x ↓
9:	9.9 ←
10:	10.7x ↙
<b>Series</b>	<b>102.3</b>
	<b>309.1</b>



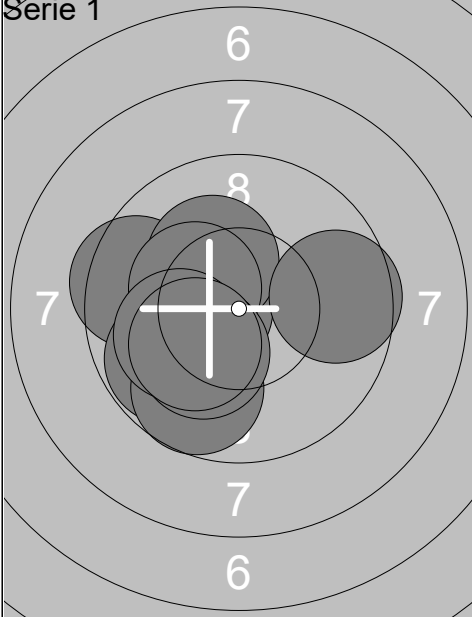
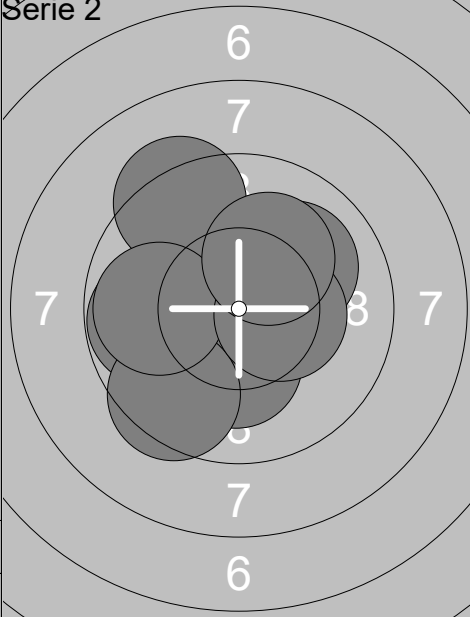
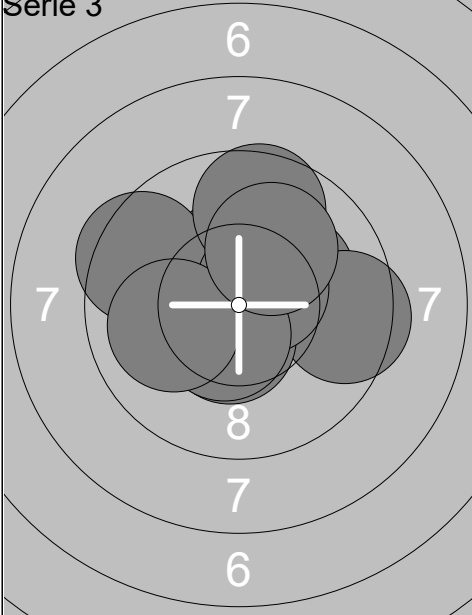
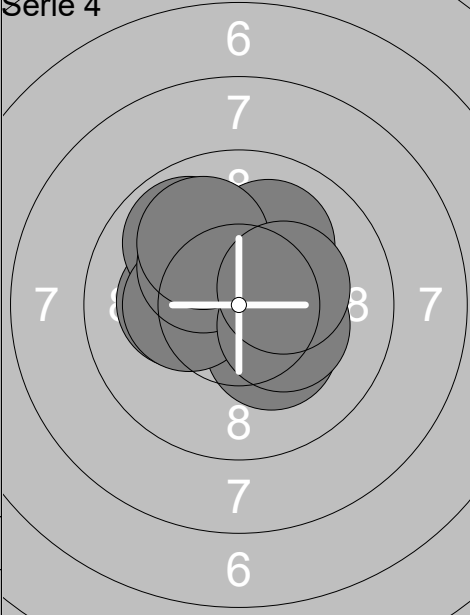
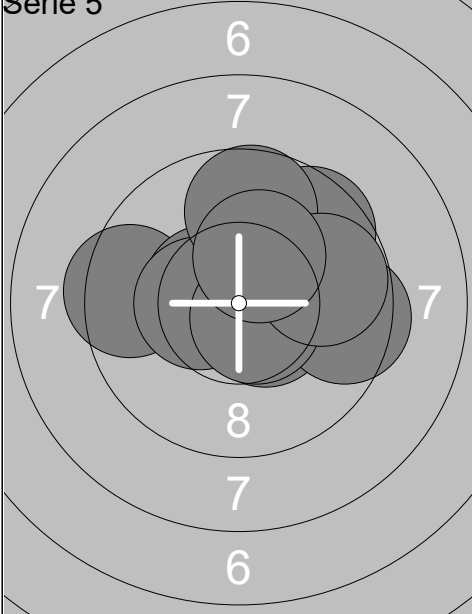
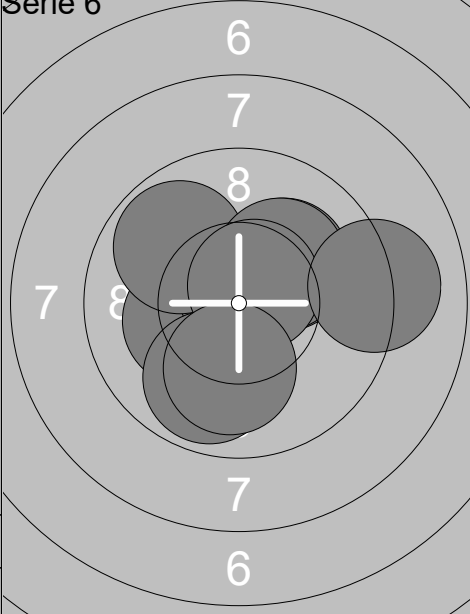
1:	10.4x ↓
2:	10.4x ↖
3:	10.3x →
4:	10.4x ↓
5:	10.4x ↘
6:	10.2x ←
7:	10.6x ↓
8:	10.4x ↙
9:	9.6 ←
10:	10.1 ←
<b>Series</b>	<b>102.8</b>
	<b>411.9</b>



1:	10.3x ↑
2:	10.7x ↓
3:	10.7x ↗
4:	10.5x ←
5:	10.6x ←
6:	10.2x ↖
7:	10.5x ←
8:	10.4x ←
9:	10.8x ↗
10:	10.5x ↖
<b>Series</b>	<b>105.2</b>
	<b>517.1</b>

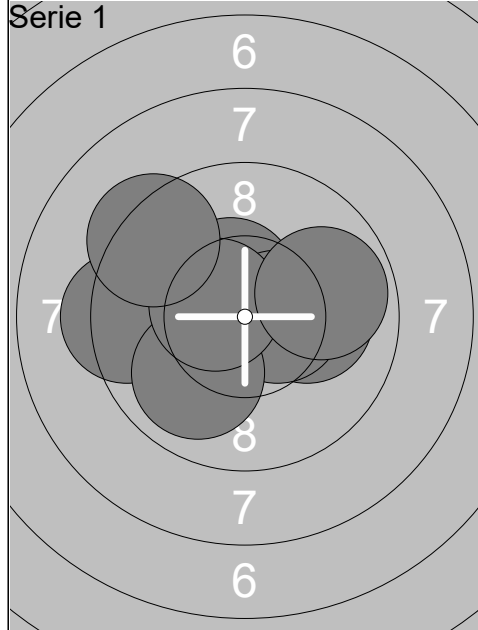


1:	10.8x ↑
2:	10.6x →
3:	10.4x →
4:	10.2x ↓
5:	10.4x ↖
6:	10.4x ↖
7:	10.6x ↓
8:	10.5x ↑
9:	10.6x →
10:	9.9 ←
<b>Series</b>	<b>104.4</b>
	<b>621.5</b>

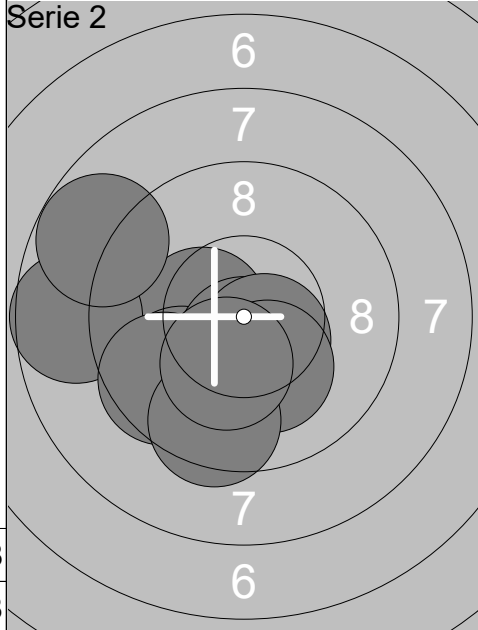
Relay	Lane	Katrine Christensen		
Day 3 Denmark Open Air	Tuse Skytteforening	WJ		
10.03.2019	Day 3 Denmark Open Air	Denmark Open Air		
Serie 1		1: 10.5x ← 2: 9.5 ← 3: 9.8 ↙ 4: 10.2x ↗ 5: 10.3x ↖ 6: 9.7 ↘ 7: 10.2x ↘ 8: 10.0 ← 9: 9.6 → 10: 10.1 ↙ Series 99.9 99.9	Serie 2 	1: 10.0 ↗ 2: 9.9 ↘ 3: 10.2x ↓ 4: 10.2x ← 5: 9.8 ← 6: 9.3 ↗ 7: 9.5 ↘ 8: 9.8 ← 9: 10.4x → 10: 10.1 ↗ Series 99.2 199.1
Serie 3		1: 10.1 ↗ 2: 9.5 → 3: 10.4x ↑ 4: 9.5 ← 5: 10.5x ↓ 6: 10.5x ↗ 7: 10.5x ↓ 8: 10.0 ← 9: 9.6 ↑ 10: 10.1 ↗ Series 100.7 299.8	Serie 4 	1: 10.2x ← 2: 9.9 ↗ 3: 10.7x ↑ 4: 10.2x ↘ 5: 10.0 ↗ 6: 10.3x ← 7: 10.2x ↗ 8: 10.3x ↘ 9: 10.0 ↗ 10: 10.3x → Series 102.1 401.9
Serie 5		1: 10.5x ↘ 2: 9.4 ← 3: 9.5 → 4: 10.5x ↖ 5: 9.6 ↗ 6: 10.4x ← 7: 9.7 ↑ 8: 10.6x ↘ 9: 9.8 → 10: 10.2x ↗ Series 100.2 502.1	Serie 6 	1: 10.6x ↑ 2: 10.2x ← 3: 10.1 ↗ 4: 10.7x ↗ 5: 9.8 ↖ 6: 10.2x ↗ 7: 10.6x ↗ 8: 9.9 ↘ 9: 9.1 → 10: 10.1 ↓ Series 101.3 603.4

Denmark Open Air

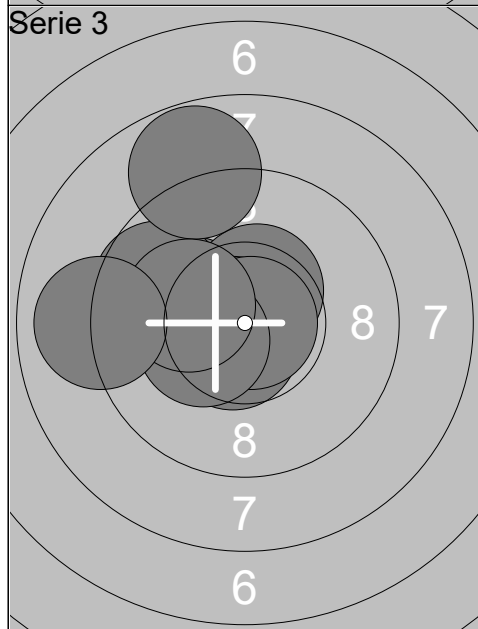
Relay	Lane	Kamilla Schlippe Jakobsen		
2	5	Kongsted skytteforening		WJ
Day 3 Denmark Open Air		Day 3 Denmark Open Air		Denmark Open Air
10.03.2019				
Série 1		1: 10.2x ↓ 2: 10.4x ↓ 3: 9.8 ← 4: 10.7x → 5: 9.1 ↓ 6: 8.7 ↓ 7: 10.2x ↓ 8: 9.2 → 9: 8.9 ← 10: 8.7 → Series 95.9 95.9	Série 2 1: 10.4x ↓ 2: 9.9 ← 3: 10.8x ↑ 4: 9.8 → 5: 10.8x ← 6: 10.7x → 7: 7.7 → 8: 9.6 ↓ 9: 9.1 ↑ 10: 9.8 ↗ Series 98.6 194.5	
Série 3		1: 10.6x ↘ 2: 10.3x ↑ 3: 9.8 ↘ 4: 9.6 ↑ 5: 9.3 ↓ 6: 10.6x ← 7: 10.5x ↑ 8: 9.8 ↓ 9: 10.8x ↙ 10: 10.2x ← Series 101.5 296.0	Série 4 1: 9.7 ↙ 2: 8.6 ← 3: 9.6 → 4: 10.4x ↗ 5: 9.6 → 6: 10.3x ↑ 7: 10.0 ↓ 8: 8.3 ← 9: 10.1 ← 10: 6.8 ← Series 93.4 389.4	
Série 5		1: 9.9 ↖ 2: 10.1 ↓ 3: 8.1 ← 4: 9.7 ← 5: 9.2 → 6: 9.4 ↓ 7: 9.6 ↗ 8: 9.2 ↓ 9: 10.4x ↑ 10: 10.3x ↖ Series 95.9 485.3	Série 6 1: 10.5x ↖ 2: 7.8 ← 3: 9.7 ↗ 4: 10.2x ↓ 5: 9.7 ↖ 6: 9.3 ← 7: 8.8 ← 8: 9.4 → 9: 9.0 ← 10: 9.8 ← Series 94.2 579.5	
Denmark Open Air				



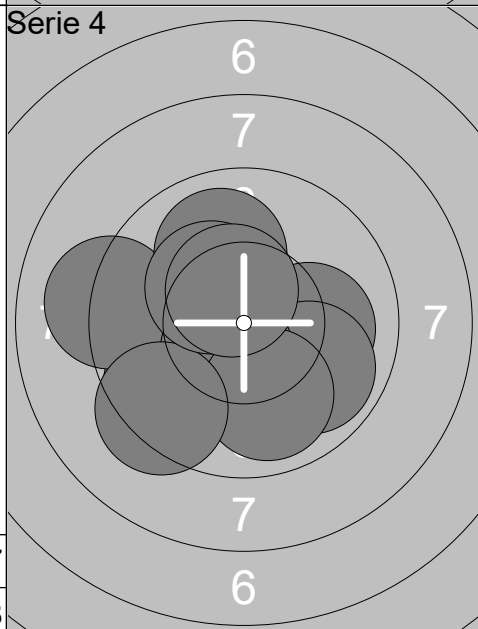
1:	10.1 →
2:	10.3x ←
3:	10.7x →
4:	10.4x ↗
5:	10.5x →
6:	9.3 ←
7:	9.9 ↙
8:	10.5x ←
9:	9.3 ↖
10:	9.8 →
<b>Series</b>	<b>100.8</b>
	<b>100.8</b>



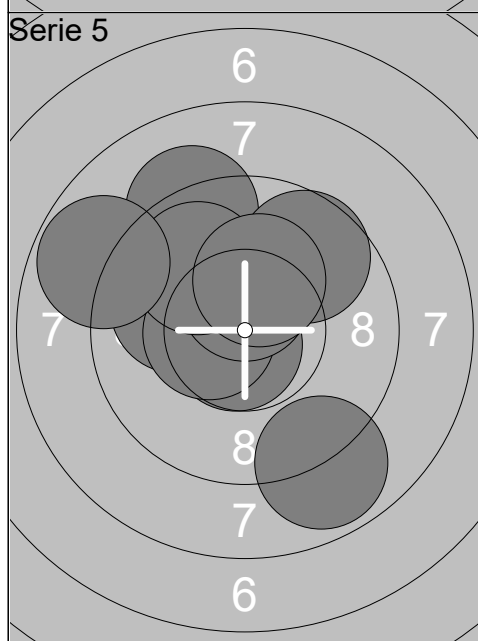
1:	10.4x ←
2:	9.8 ↙
3:	10.6x ↓
4:	10.5x ↘
5:	8.7 ←
6:	8.7 ↖
7:	9.6 ↙
8:	10.2x ↓
9:	9.5 ↓
10:	10.3x ↓
<b>Series</b>	<b>98.3</b>
	<b>199.1</b>



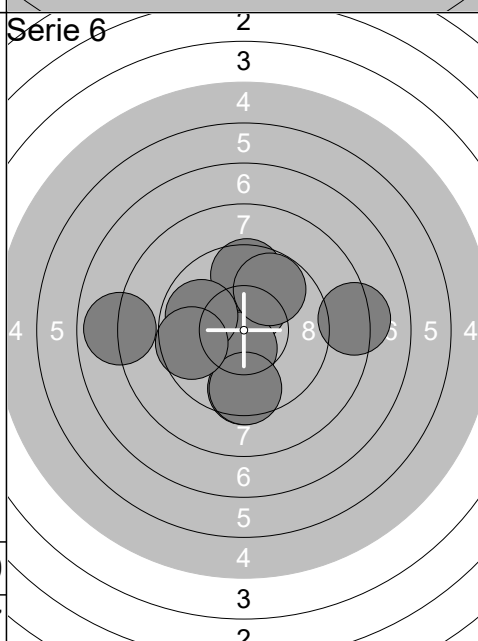
1:	10.1 ←
2:	10.5x ↗
3:	9.7 ←
4:	10.6x ↘
5:	8.8 ↗
6:	10.8x ←
7:	10.8x →
8:	10.3x ←
9:	10.1 ←
10:	9.0 ←
<b>Series</b>	<b>100.7</b>
	<b>299.8</b>



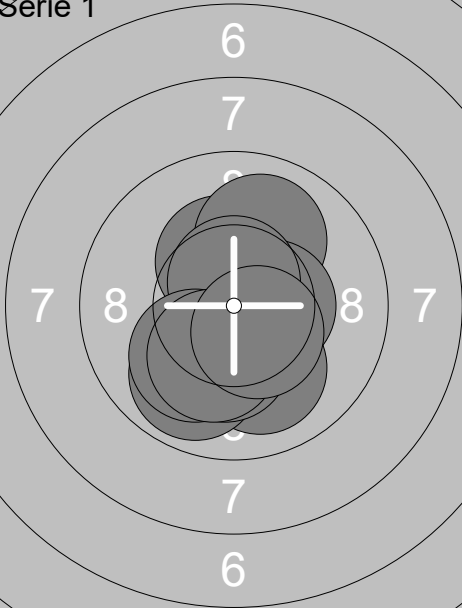
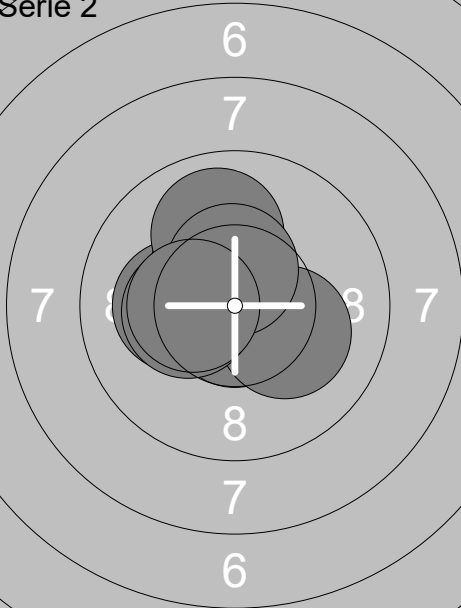
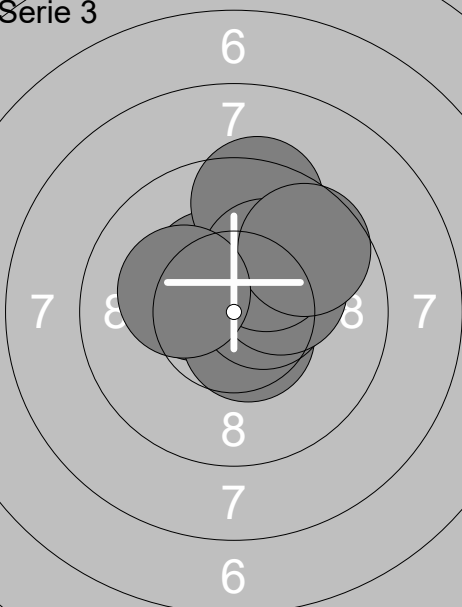
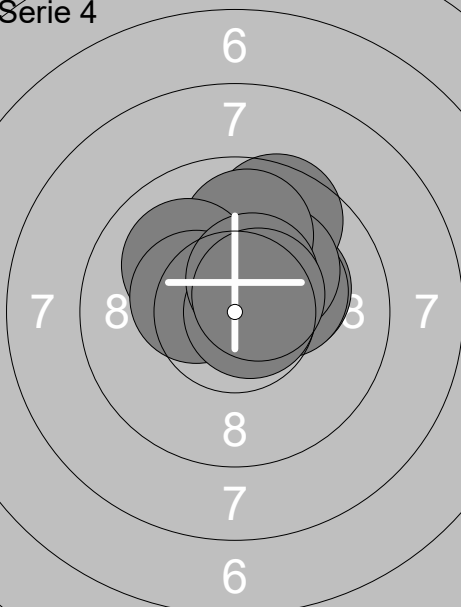
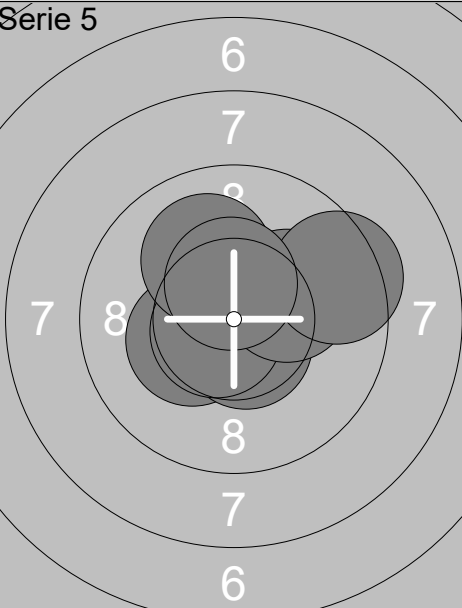
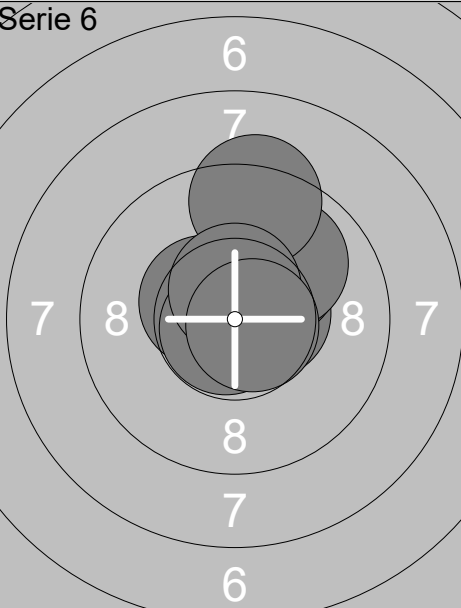
1:	9.6 ↙
2:	9.1 ←
3:	10.0 →
4:	9.8 ↘
5:	10.5x ↘
6:	9.9 ↓
7:	9.9 ↗
8:	9.3 ↙
9:	10.3x ↗
10:	10.5x ↗
<b>Series</b>	<b>98.9</b>
	<b>398.7</b>

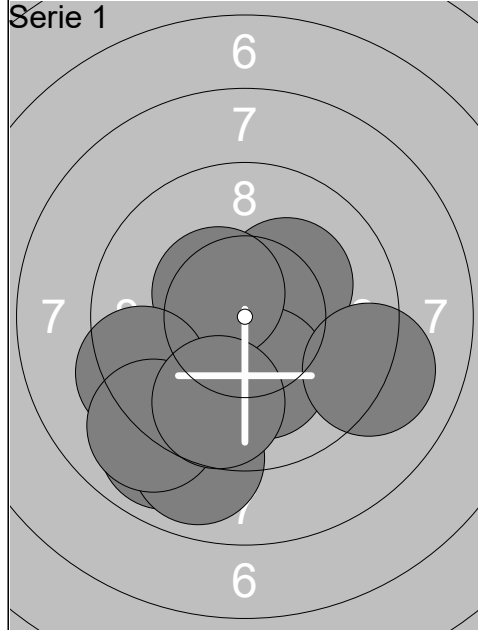


1:	9.9 ←
2:	9.2 ↗
3:	10.7x ↘
4:	8.9 ↓
5:	9.6 ↗
6:	10.4x ←
7:	10.5x ↗
8:	9.8 ↗
9:	10.2x ↗
10:	8.8 ←
<b>Series</b>	<b>98.0</b>
	<b>496.7</b>

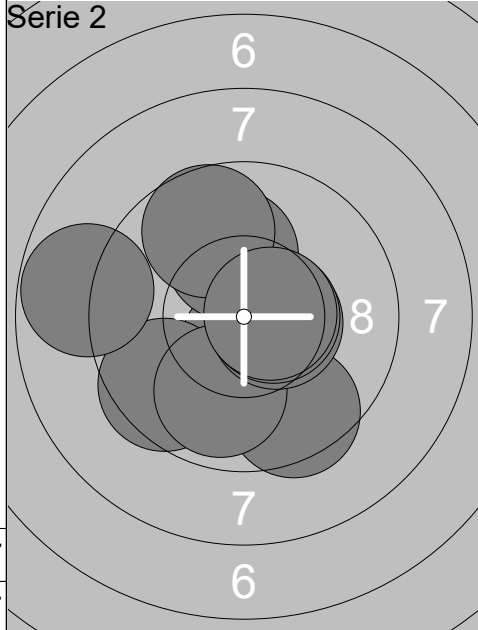


1:	10.3x ↗
2:	9.5 ↓
3:	9.6 ↗
4:	10.5x ↘
5:	8.2 →
6:	9.8 ←
7:	9.5 ↓
8:	9.8 ↗
9:	9.6 ←
10:	7.9 ←
<b>Series</b>	<b>94.7</b>
	<b>591.4</b>

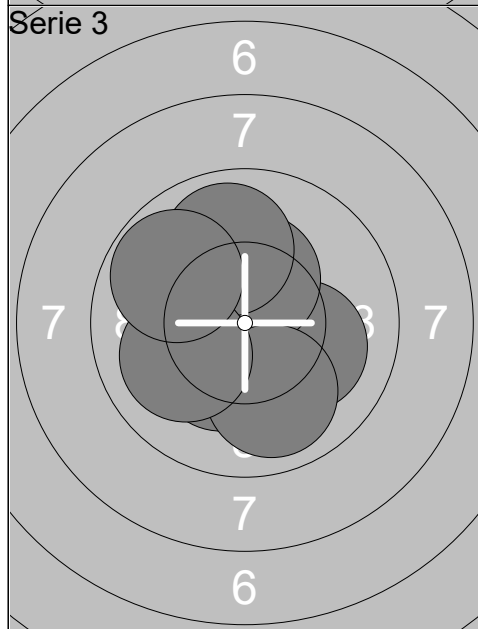
<p><b>Serie 1</b></p> 	<p>1: 10.3x ↗</p> <p>2: 10.0 ↘</p> <p>3: 10.0 ↗</p> <p>4: 9.9 ↘</p> <p>5: 10.4x →</p> <p>6: 10.6x ↗</p> <p>7: 10.1 ↘</p> <p>8: 10.2x ↘</p> <p>9: 10.2x ↘</p> <p>10: 10.4x ↘</p> <p>Series 102.1</p> <p>102.1</p>	<p><b>Serie 2</b></p> 	<p>1: 10.2x ←</p> <p>2: 10.3x ↗</p> <p>3: 10.5x ←</p> <p>4: 10.7x ↘</p> <p>5: 10.1 →</p> <p>6: 10.4x ↗</p> <p>7: 10.3x ←</p> <p>8: 9.9 ↗</p> <p>9: 10.5x ↗</p> <p>10: 10.4x ←</p> <p>Series 103.3</p> <p>205.4</p>
<p><b>Serie 3</b></p> 	<p>1: 10.4x ←</p> <p>2: 9.9 ↗</p> <p>3: 10.5x ↘</p> <p>4: 10.4x ↗</p> <p>5: 9.4 ↗</p> <p>6: 10.5x →</p> <p>7: 10.2x →</p> <p>8: 10.1 ↗</p> <p>9: 9.6 ↗</p> <p>10: 10.2x ←</p> <p>Series 101.2</p> <p>306.6</p>	<p><b>Serie 4</b></p> 	<p>1: 10.2x →</p> <p>2: 10.2x →</p> <p>3: 9.6 ↗</p> <p>4: 10.1 ↗</p> <p>5: 9.9 ↗</p> <p>6: 10.0 ↗</p> <p>7: 10.4x ←</p> <p>8: 10.7x →</p> <p>9: 10.4x ↗</p> <p>10: 10.5x →</p> <p>Series 102.0</p> <p>408.6</p>
<p><b>Serie 5</b></p> 	<p>1: 10.7x →</p> <p>2: 10.3x ←</p> <p>3: 10.5x ↗</p> <p>4: 10.6x ↘</p> <p>5: 10.5x ↗</p> <p>6: 10.6x ←</p> <p>7: 10.0 ↗</p> <p>8: 10.1 →</p> <p>9: 9.4 →</p> <p>10: 10.5x ↗</p> <p>Series 103.2</p> <p>511.8</p>	<p><b>Serie 6</b></p> 	<p>1: 10.8x →</p> <p>2: 10.5x →</p> <p>3: 10.4x ←</p> <p>4: 10.9x ↗</p> <p>5: 10.8x ↘</p> <p>6: 10.1 ↗</p> <p>7: 9.9 ↗</p> <p>8: 9.3 ↗</p> <p>9: 10.5x ↗</p> <p>10: 10.7x →</p> <p>Series 103.9</p> <p>615.7</p>



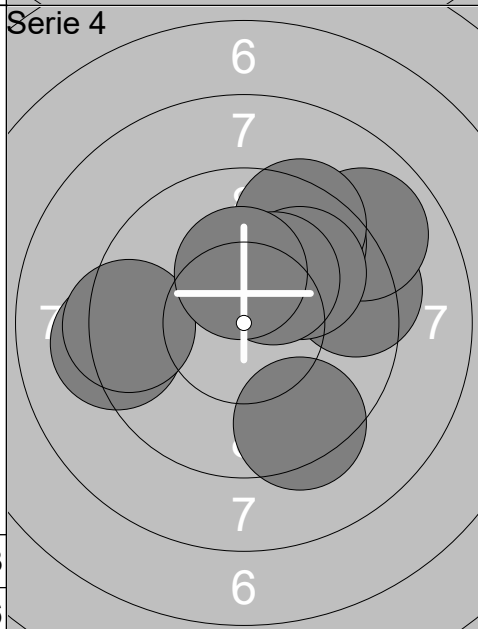
1:	10.2x ↗
2:	10.1 ↓
3:	10.4x ↖
4:	9.1 ↓
5:	8.9 ↓
6:	9.3 ←
7:	8.9 ↓
8:	9.0 ↓
9:	9.7 ↓
10:	9.1 →
<b>Series</b>	<b>94.7</b>
	<b>94.7</b>



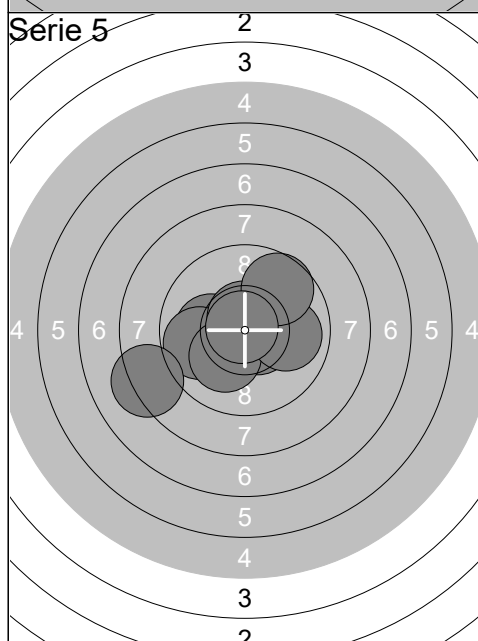
1:	10.5x ↓
2:	9.5 ↙
3:	9.5 ↓
4:	9.9 ↓
5:	10.1 ↑
6:	9.7 ↑
7:	10.5x →
8:	8.8 ←
9:	10.5x →
10:	10.6x →
<b>Series</b>	<b>99.6</b>
	<b>194.3</b>



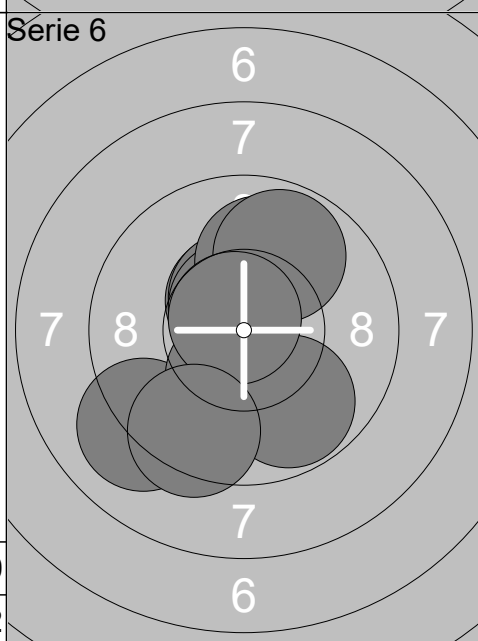
1:	10.9x ↓
2:	10.4x ↑
3:	10.3x ↘
4:	10.7x ↑
5:	10.1 →
6:	10.3x ↑
7:	9.9 ↑
8:	9.9 ↓
9:	10.0 ←
10:	9.8 ↖
<b>Series</b>	<b>102.3</b>
	<b>296.6</b>



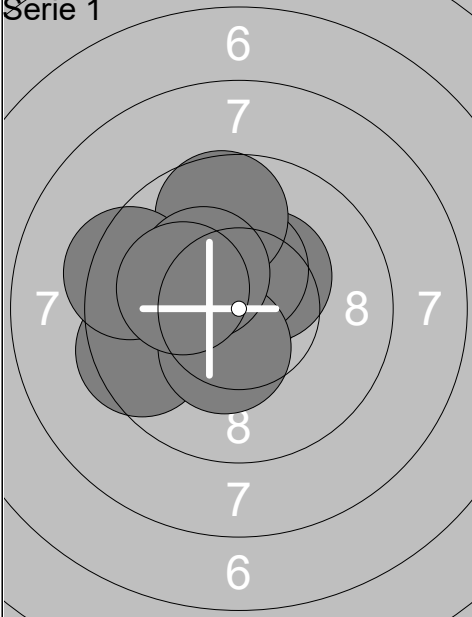
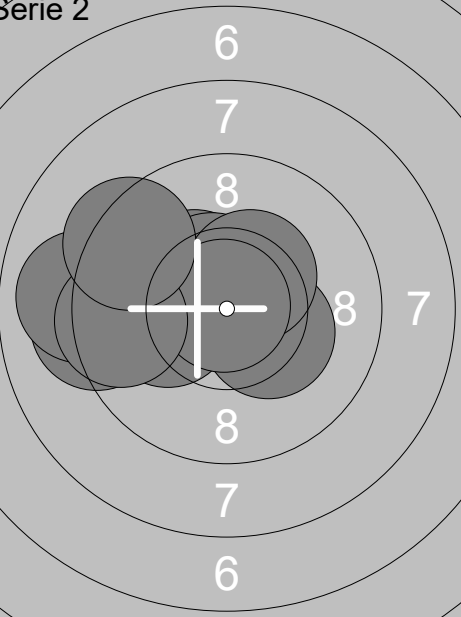
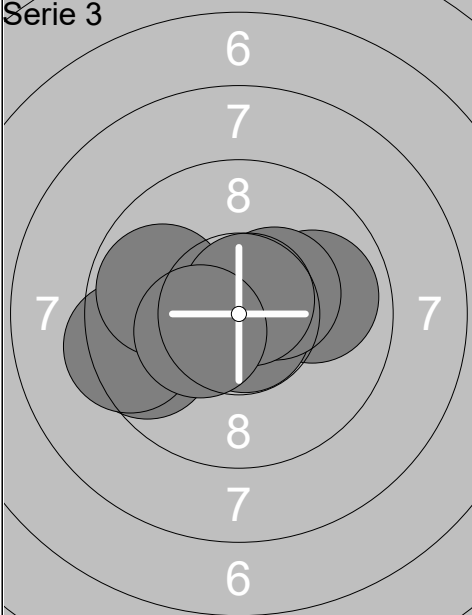
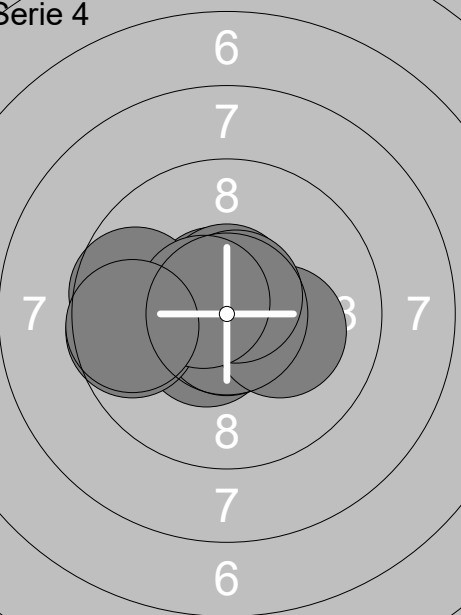
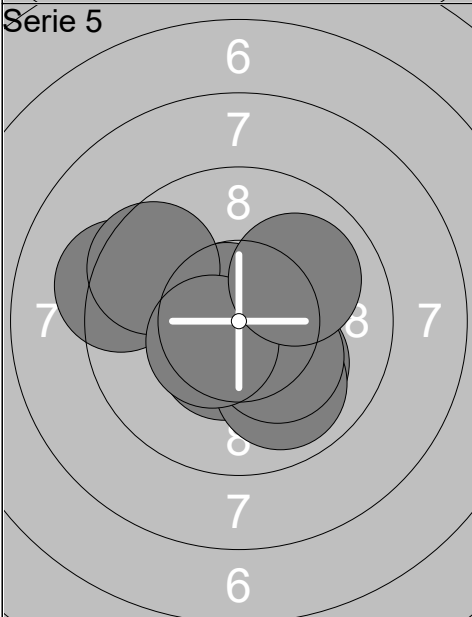
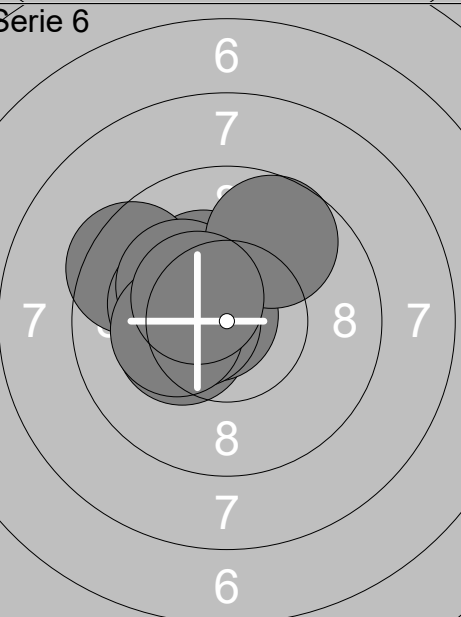
1:	9.4 ↓
2:	9.3 →
3:	8.9 ↗
4:	9.6 ↗
5:	9.4 ↗
6:	9.9 ↗
7:	9.2 ←
8:	10.2x ↗
9:	9.4 ←
10:	10.3x ↑
<b>Series</b>	<b>95.6</b>
	<b>392.2</b>



1:	10.1 ←
2:	9.7 ←
3:	10.4x →
4:	10.5x →
5:	8.2 ←
6:	10.1 ↓
7:	10.6x ↑
8:	9.9 →
9:	9.7 ↗
10:	10.8x ↖
<b>Series</b>	<b>100.0</b>
	<b>492.2</b>

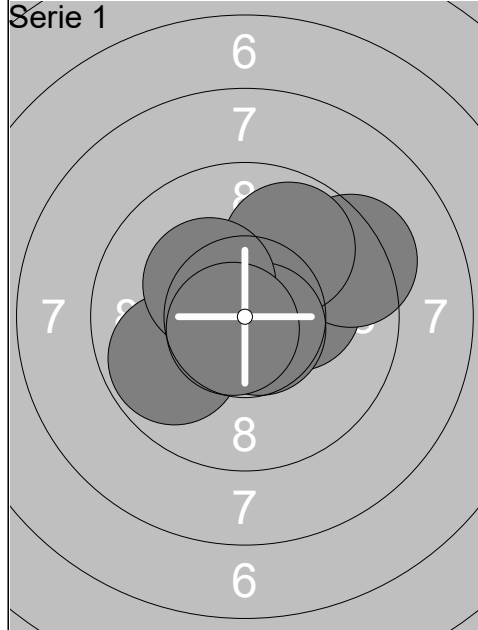


1:	10.5x ↑
2:	10.5x ↑
3:	10.6x ↑
4:	9.0 ↙
5:	10.0 ↑
6:	10.3x ↓
7:	9.8 ↗
8:	9.8 ↓
9:	10.7x ↖
10:	9.4 ↓
<b>Series</b>	<b>100.6</b>
	<b>592.8</b>

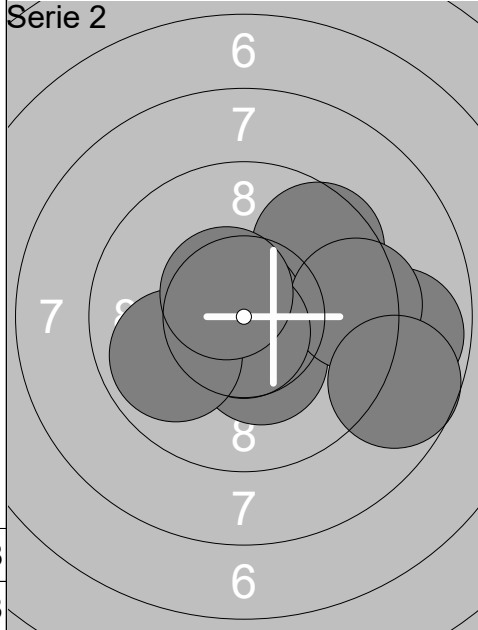
Relay	Lane	Sara Alexis		
Day 3 Denmark Open Air	Viborg Skytte Forening	WJ		
10.03.2019	Day 3 Denmark Open Air	Denmark Open Air		
<b>Serie 1</b>		1: 10.8x ↑ 2: 10.2x ↘ 3: 10.4x ↗ 4: 9.5 ← 5: 10.4x ↑ 6: 10.4x ↓ 7: 9.7 ↑ 8: 9.4 ← 9: 10.3x ↘ 10: 10.1 ← <b>Series 101.2</b> 101.2	<b>Serie 2</b> 	1: 9.2 ← 2: 10.3x ↘ 3: 10.1 ← 4: 9.0 ← 5: 10.3x ⇒ 6: 10.5x ↘ 7: 10.4x ↗ 8: 10.9x ↘ 9: 9.5 ← 10: 9.3 ↘ <b>Series 99.5</b> 200.7
<b>Serie 3</b>		1: 9.9 → 2: 10.7x ← 3: 10.7x ↓ 4: 9.6 ← 5: 9.9 ← 6: 10.4x ↗ 7: 9.4 ← 8: 9.8 ← 9: 10.7x ↗ 10: 10.4x ← <b>Series 101.5</b> 302.2	<b>Serie 4</b> 	1: 10.6x ↘ 2: 10.6x ↑ 3: 10.5x ↘ 4: 10.7x ↓ 5: 10.2x ⇒ 6: 10.7x ↗ 7: 9.7 ← 8: 9.6 ← 9: 10.6x ↘ 10: 9.6 ← <b>Series 102.8</b> 405.0
<b>Serie 5</b>		1: 9.7 ← 2: 10.5x ↓ 3: 10.1 ↓ 4: 9.3 ← 5: 10.7x ↘ 6: 9.9 ↓ 7: 9.6 ↘ 8: 10.2x ↓ 9: 10.5x ↘ 10: 10.0 ↗ <b>Series 100.5</b> 505.5	<b>Serie 6</b> 	1: 10.3x ← 2: 10.7x ← 3: 10.2x ↗ 4: 9.5 ↘ 5: 10.2x ← 6: 10.5x ← 7: 10.1 ↘ 8: 9.7 ↗ 9: 10.2x ← 10: 10.4x ↘ <b>Series 101.8</b> 607.3
<b>Denmark Open Air</b>				



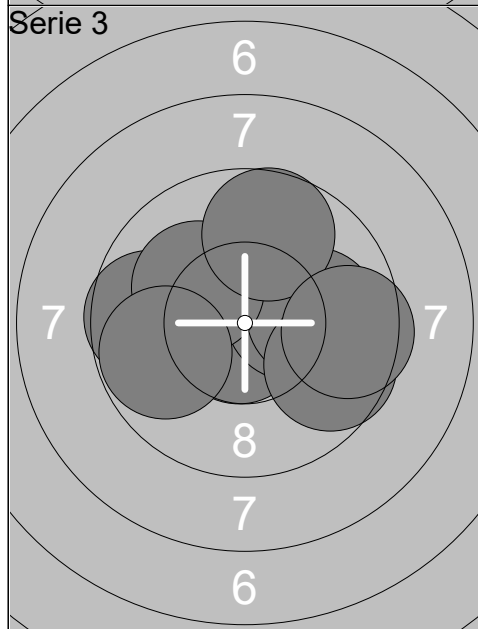
<p><b>Serie 1</b></p>	<p>1: 10.3x →</p> <p>2: 9.7 ↖</p> <p>3: 10.4x →</p> <p>4: 10.4x ↗</p> <p>5: 9.8 →</p> <p>6: 10.3x →</p> <p>7: 9.9 ←</p> <p>8: 10.5x ←</p> <p>9: 10.6x ↖</p> <p>10: 9.6 ←</p> <p>Series 101.5</p> <p style="text-align: center;">101.5</p>	<p><b>Serie 2</b></p>	<p>1: 9.1 ←</p> <p>2: 10.5x ↖</p> <p>3: 10.6x ↓</p> <p>4: 10.3x ↖</p> <p>5: 10.6x ↓</p> <p>6: 9.9 ←</p> <p>7: 10.0 ↖</p> <p>8: 9.2 →</p> <p>9: 9.3 ↗</p> <p>10: 10.8x ↘</p> <p>Series 100.3</p> <p style="text-align: center;">201.8</p>
<p><b>Serie 3</b></p>	<p>1: 10.6x ↓</p> <p>2: 9.9 ↑</p> <p>3: 10.4x →</p> <p>4: 10.4x ↓</p> <p>5: 9.0 ←</p> <p>6: 10.8x ↘</p> <p>7: 9.9 ↗</p> <p>8: 10.3x ↖</p> <p>9: 9.7 ↗</p> <p>10: 10.0 ↗</p> <p>Series 101.0</p> <p style="text-align: center;">302.8</p>	<p><b>Serie 4</b></p>	<p>1: 10.5x ↖</p> <p>2: 10.5x ↓</p> <p>3: 9.8 ↘</p> <p>4: 10.2x ↘</p> <p>5: 10.0 ↗</p> <p>6: 9.9 ↗</p> <p>7: 10.7x ↘</p> <p>8: 10.2x ↗</p> <p>9: 9.9 →</p> <p>10: 10.0 ↘</p> <p>Series 101.7</p> <p style="text-align: center;">404.5</p>
<p><b>Serie 5</b></p>	<p>1: 10.2x ↘</p> <p>2: 10.5x ↑</p> <p>3: 10.3x ←</p> <p>4: 10.0 ↙</p> <p>5: 10.8x ↖</p> <p>6: 9.9 →</p> <p>7: 10.9x ↗</p> <p>8: 9.5 ←</p> <p>9: 9.9 →</p> <p>10: 10.1 ←</p> <p>Series 102.1</p> <p style="text-align: center;">506.6</p>	<p><b>Serie 6</b></p>	<p>1: 9.7 ←</p> <p>2: 10.3x ↙</p> <p>3: 10.4x ↖</p> <p>4: 9.7 ↗</p> <p>5: 10.3x ↑</p> <p>6: 9.2 →</p> <p>7: 10.1 ↓</p> <p>8: 10.1 ↑</p> <p>9: 10.5x →</p> <p>10: 9.9 ↗</p> <p>Series 100.2</p> <p style="text-align: center;">606.8</p>



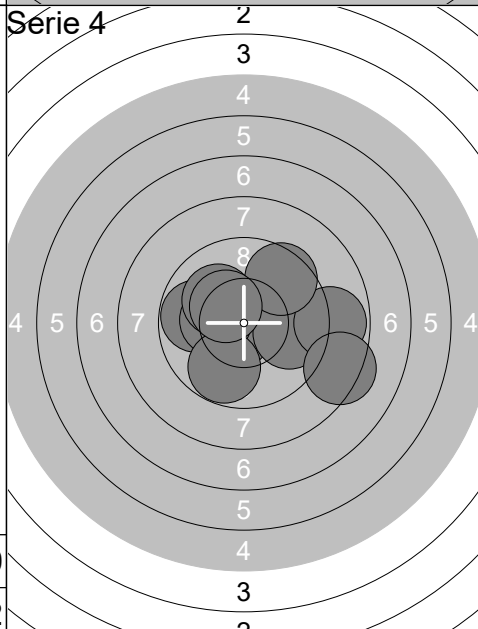
1:	10.7x	←
2:	10.7x	↑
3:	10.2x	→
4:	9.8	←
5:	9.3	→
6:	10.6x	↖
7:	9.8	↗
8:	10.7x	↘
9:	10.3x	↖
10:	10.7x	↘
<b>Series</b>		<b>102.8</b>
		<b>102.8</b>



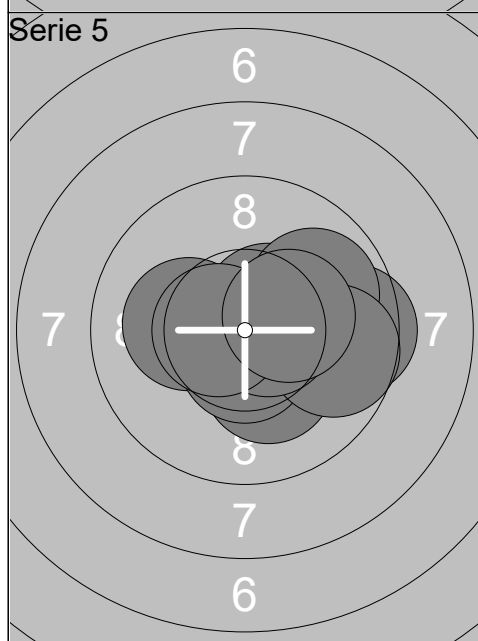
1:	9.6	↗
2:	10.8x	↖
3:	10.7x	↘
4:	10.3x	↘
5:	8.8	→
6:	9.4	→
7:	10.7x	↘
8:	9.9	←
9:	10.5x	↖
10:	8.7	→
<b>Series</b>		<b>99.4</b>
		<b>202.2</b>



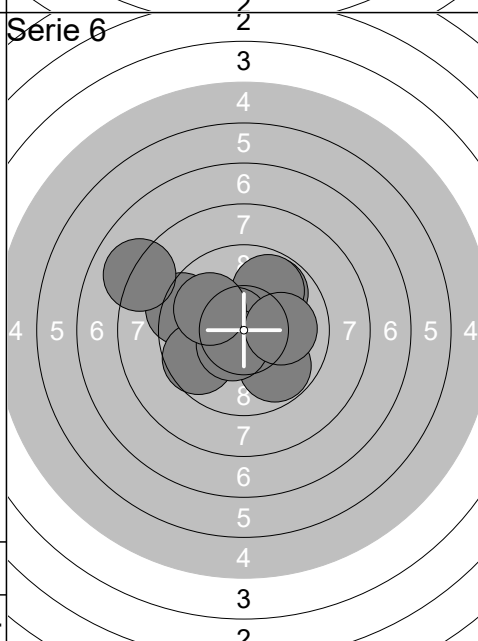
1:	10.6x	↖
2:	10.7x	↘
3:	9.7	←
4:	10.3x	→
5:	10.0	→
6:	10.1	↖
7:	9.7	↑
8:	9.8	←
9:	9.6	→
10:	9.5	→
<b>Series</b>		<b>100.0</b>
		<b>302.2</b>



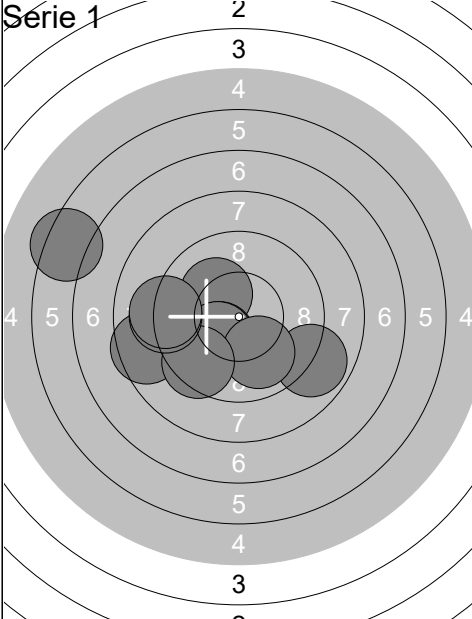
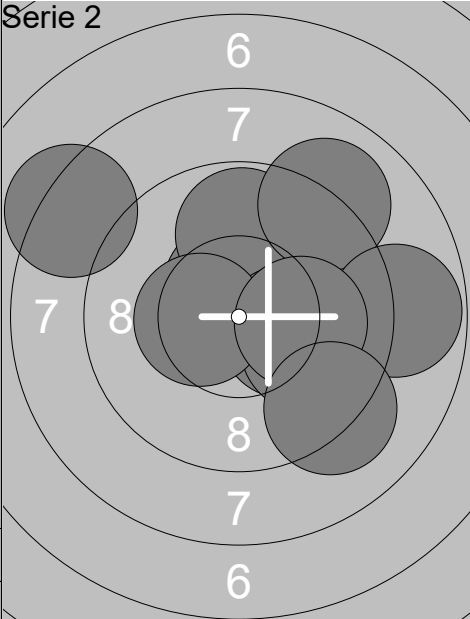
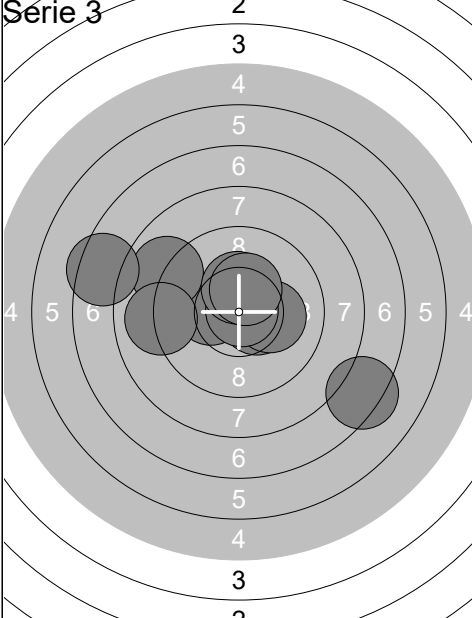
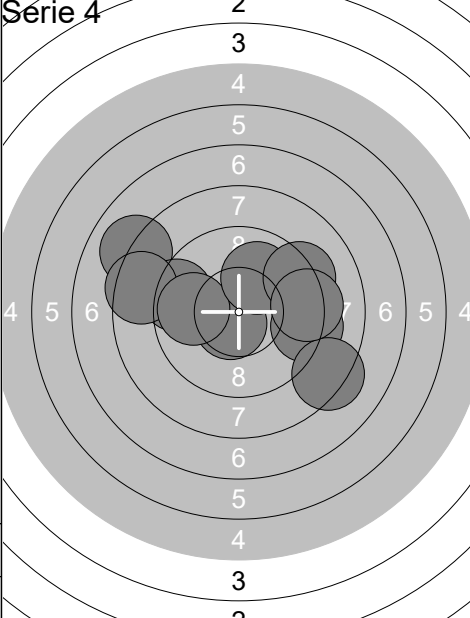
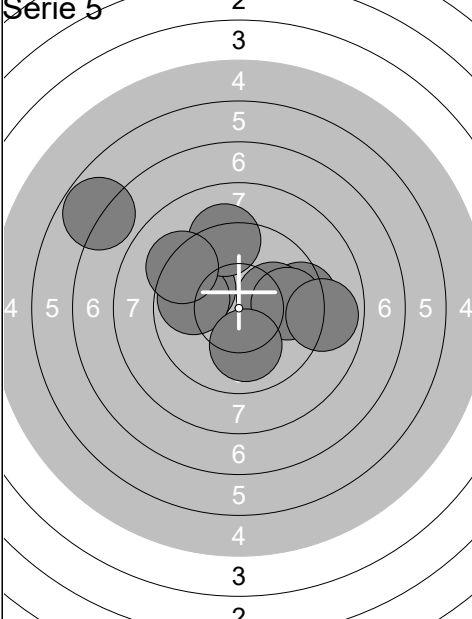
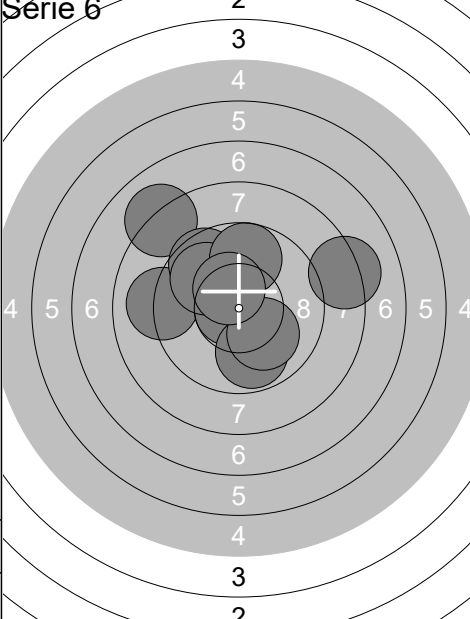
1:	10.7x	↘
2:	9.8	→
3:	8.8	→
4:	9.7	←
5:	8.3	→
6:	10.2x	←
7:	9.5	↗
8:	10.1	↖
9:	9.7	↘
10:	10.3x	↖
<b>Series</b>		<b>97.1</b>
		<b>399.3</b>



1:	10.2x	←
2:	9.5	→
3:	10.2x	↘
4:	10.6x	↘
5:	10.5x	↗
6:	9.9	→
7:	9.7	→
8:	10.6x	→
9:	10.6x	←
10:	10.3x	→
<b>Series</b>		<b>102.1</b>
		<b>501.4</b>



1:	9.3	←
2:	9.8	↗
3:	9.8	↗
4:	10.6x	↖
5:	9.8	↘
6:	9.6	←
7:	10.5x	↘
8:	8.0	←
9:	10.0	→
10:	9.9	↖
<b>Series</b>		<b>97.3</b>
		<b>598.7</b>

Relay	Lane	Rikke Bertelsen		
Day 3 Denmark Open Air	Viborg Skytte Forening	WJ		
10.03.2019	Day 3 Denmark Open Air	Denmark Open Air		
Serie 1		1: 6.4 ← 2: 10.1 ↖ 3: 10.2x ↘ 4: 8.5 ← 5: 10.2x ↘ 6: 8.9 → 7: 9.9 ↓ 8: 9.4 ↘ 9: 9.1 ← 10: 9.1 ← Series 91.8 91.8	Serie 2 	1: 10.5x ↗ 2: 9.8 ↑ 3: 9.0 ↗ 4: 10.3x → 5: 9.9 → 6: 8.2 ↖ 7: 8.8 → 8: 10.4x ← 9: 10.1 → 10: 9.2 ↘ Series 96.2 188.0
Serie 3		1: 10.3x ← 2: 10.4x → 3: 10.2x → 4: 10.8x → 5: 7.3 ↘ 6: 8.9 ↖ 7: 9.0 ← 8: 10.3x ↑ 9: 10.4x ↑ 10: 7.4 ← Series 95.0 283.0	Serie 4 	1: 10.6x ↘ 2: 8.0 ↖ 3: 9.4 ← 4: 8.5 ← 5: 9.8 ← 6: 9.2 → 7: 10.0 ↗ 8: 9.2 ↗ 9: 8.2 ↘ 10: 9.3 → Series 92.2 375.2
Serie 5		1: 9.8 ← 2: 9.4 → 3: 10.1 → 4: 9.8 ← 5: 9.7 → 6: 9.2 ↑ 7: 6.8 ↖ 8: 10.0 ↓ 9: 8.9 → 10: 9.2 ↖ Series 92.9 468.1	Serie 6 	1: 9.1 ← 2: 8.2 → 3: 8.0 ↗ 4: 9.6 ↗ 5: 10.7x ← 6: 9.8 ↓ 7: 9.8 ↖ 8: 9.7 ↑ 9: 10.1 ↘ 10: 10.4x ↗ Series 95.4 563.5

Denmark Open Air

Relay	Lane	Helle Bertelsen	
Day 3 Denmark Open Air	Viborg Skytte Forening	WJ	
10.03.2019	Day 3 Denmark Open Air	Denmark Open Air	
<b>Serie 1</b>	1: 10.4x ↓ 2: 9.6 → 3: 10.7x ← 4: 10.5x ↖ 5: 10.3x ↓ 6: 10.7x ↓ 7: 10.5x → 8: 10.2x ↖ 9: 10.5x ↗ 10: 10.1 ↑ Series 103.5 103.5	<b>Serie 2</b>	1: 10.4x ↑ 2: 10.3x ↑ 3: 9.4 → 4: 10.4x → 5: 10.2x ↓ 6: 10.0 ↖ 7: 10.0 → 8: 10.0 ↑ 9: 10.6x ↑ 10: 10.3x → Series 101.6 205.1
<b>Serie 3</b>	1: 9.9 ↓ 2: 9.9 ↓ 3: 10.2x ↖ 4: 10.3x ← 5: 10.4x → 6: 10.2x ↗ 7: 9.7 ↗ 8: 10.3x ↗ 9: 10.8x ← 10: 10.7x ↗ Series 102.4 307.5	<b>Serie 4</b>	1: 10.3x ↗ 2: 10.7x ↖ 3: 9.9 ← 4: 10.3x ← 5: 10.1 ↓ 6: 9.7 ← 7: 9.9 → 8: 9.9 → 9: 10.5x ↖ 10: 10.1 ↓ Series 101.4 408.9
<b>Serie 5</b>	1: 9.7 ↓ 2: 10.4x ↖ 3: 10.4x ← 4: 8.9 ↓ 5: 9.8 → 6: 10.1 ↓ 7: 10.5x ↓ 8: 9.9 ↑ 9: 10.1 ↑ 10: 10.5x ↖ Series 100.3 509.2	<b>Serie 6</b>	1: 10.2x → 2: 9.9 ↓ 3: 10.4x ↘ 4: 10.0 ↑ 5: 10.2x ↑ 6: 10.7x ↖ 7: 10.6x ↖ 8: 10.2x → 9: 9.5 ↑ 10: 10.9x → Series 102.6 611.8

Denmark Open Air