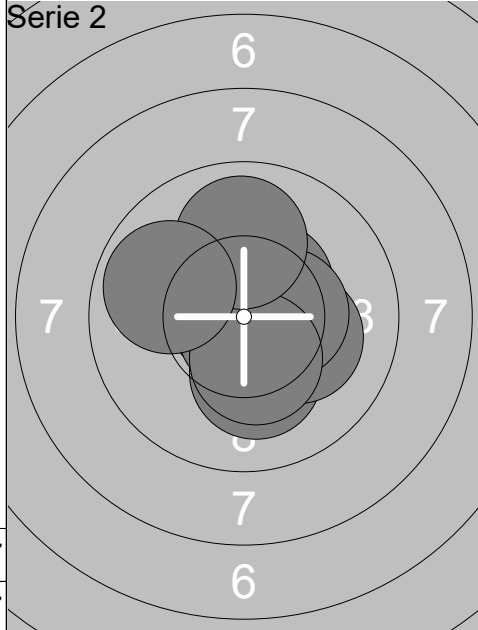
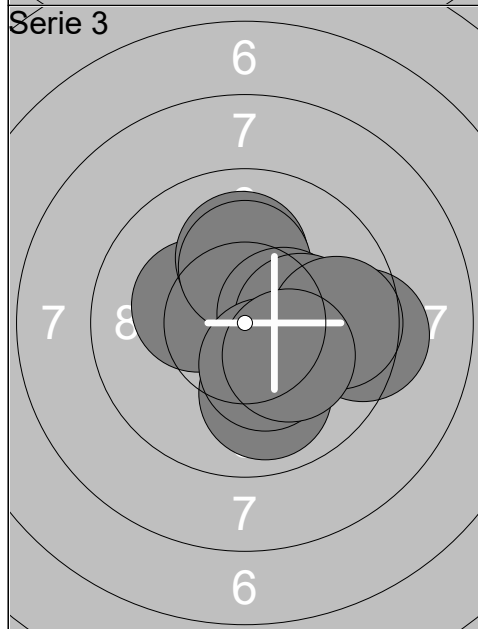


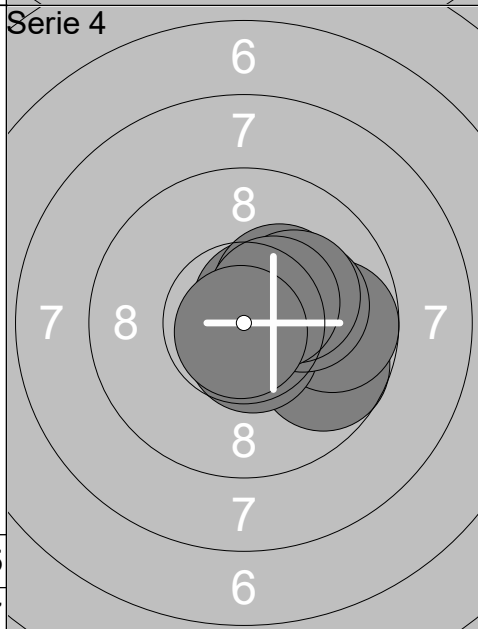
1:	10.5x ←
2:	10.3x ↓
3:	9.6 ↑
4:	10.6x ↑
5:	10.1 ↓
6:	9.9 ↙
7:	10.5x →
8:	9.9 ↓
9:	10.3x ↓
10:	10.0 ↓
Series	101.7
	101.7



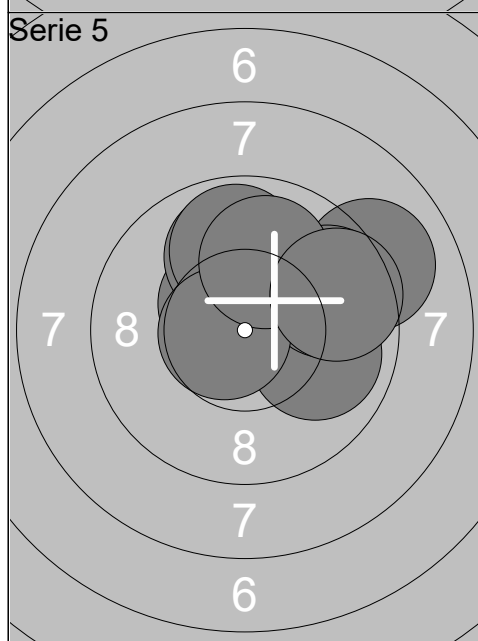
1:	10.4x ↗
2:	10.2x ↓
3:	10.8x ↖
4:	10.7x →
5:	10.8x ↓
6:	10.2x ⇒
7:	10.4x →
8:	10.3x ↓
9:	9.9 ↑
10:	9.8 ↖
Series	103.5
	205.2



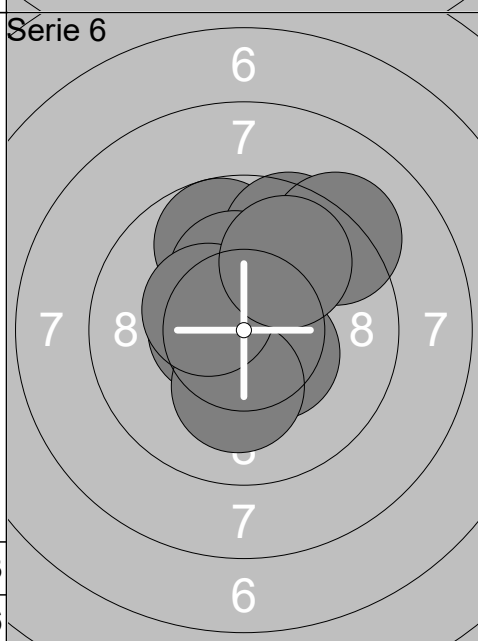
1:	10.2x ↖
2:	10.1 ↑
3:	10.2x ↑
4:	9.3 →
5:	9.9 ↓
6:	10.4x →
7:	10.2x →
8:	9.7 →
9:	10.3x ↓
10:	10.2x ↘
Series	100.5
	305.7



1:	10.3x ↗
2:	9.7 ⇒
3:	9.7 →
4:	10.6x ↗
5:	10.6x ↓
6:	10.1 →
7:	10.2x ↗
8:	10.2x ↗
9:	10.4x ↗
10:	10.8x ↓
Series	102.6
	408.3

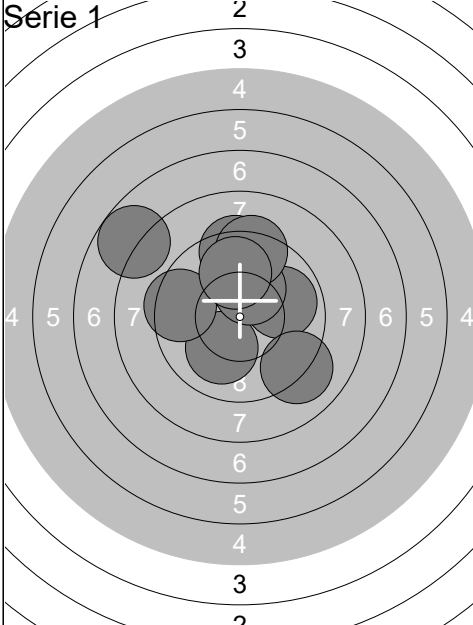


1:	10.3x ↗
2:	9.9 ⇒
3:	9.0 →
4:	10.5x ↖
5:	9.7 →
6:	9.9 ↑
7:	9.8 ↑
8:	10.6x ↖
9:	10.0 ↑
10:	9.6 →
Series	99.3
	507.6

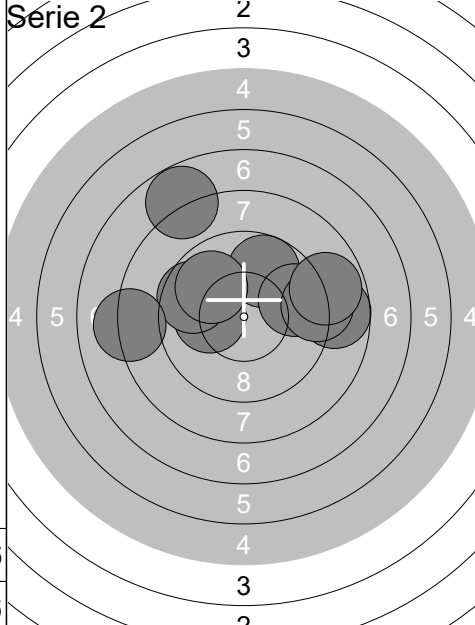


1:	10.3x ↓
2:	10.5x ↖
3:	10.4x ↘
4:	9.7 ↑
5:	9.5 ↗
6:	10.2x ↓
7:	10.2x ↑
8:	10.4x ↖
9:	9.2 ↗
10:	9.8 ↗
Series	100.2
	607.8

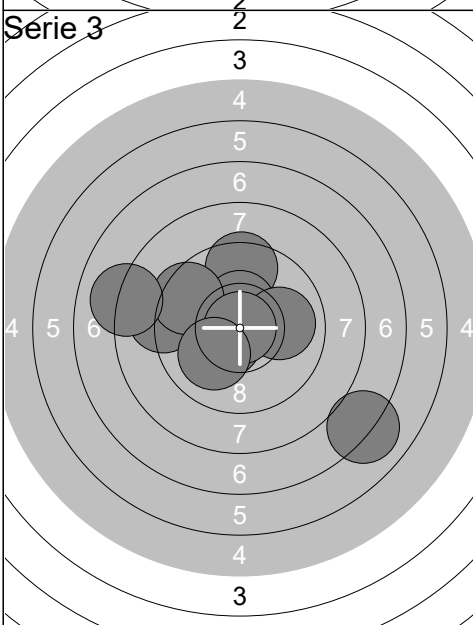
Relay	Lane	Elmer Emil Wagner		
3	11	Nykøbing Sj. Skytteforening		MJ
Day 1 Denmark Open Air	14.02.2020	Day 1 Denmark Open Air 2020	Denmark Open Air 2020	
Serie 1 	1: 10.1 →	Serie 2 	1: 10.0 ↑	
	2: 10.4x ↗		2: 10.6x →	
	3: 10.2x ↖		3: 9.9 ↓	
	4: 10.0 ↖		4: 10.4x ↗	
	5: 9.4 →		5: 9.6 ←	
	6: 10.5x ←		6: 10.2x ↗	
	7: 10.0 ←		7: 10.1 ←	
	8: 10.4x ↗		8: 9.2 ↖	
	9: 10.2x ↖		9: 9.3 ←	
	10: 9.9 ↗		10: 9.4 ↖	
	Series 101.1		Series 98.7	
	101.1		199.8	
Serie 3 	1: 9.5 ↑	Serie 4 	1: 10.4x ↑	
	2: 9.9 ↖		2: 9.8 →	
	3: 10.3x ↑		3: 10.4x ←	
	4: 9.7 ↗		4: 10.7x ↗	
	5: 10.5x ↑		5: 10.5x ↑	
	6: 9.7 →		6: 10.2x ↗	
	7: 10.5x ↗		7: 10.2x →	
	8: 10.6x ←		8: 9.3 ←	
	9: 10.2x →		9: 9.8 ↓	
	10: 10.5x ↘		10: 10.6x ↗	
	Series 101.4		Series 101.9	
	301.2		403.1	
Serie 5 	1: 10.6x ↗	Serie 6 	1: 9.5 →	
	2: 10.6x ↓		2: 9.9 ↑	
	3: 10.0 ↖		3: 10.6x ↓	
	4: 10.3x ↗		4: 10.2x ↑	
	5: 10.0 ↑		5: 9.8 ←	
	6: 10.2x ←		6: 9.5 →	
	7: 10.3x ↓		7: 9.1 ↗	
	8: 10.8x ↓		8: 10.6x ↓	
	9: 10.2x ↖		9: 10.1 ↑	
	10: 10.6x →		10: 9.8 ←	
	Series 103.6		Series 99.1	
	506.7		605.8	



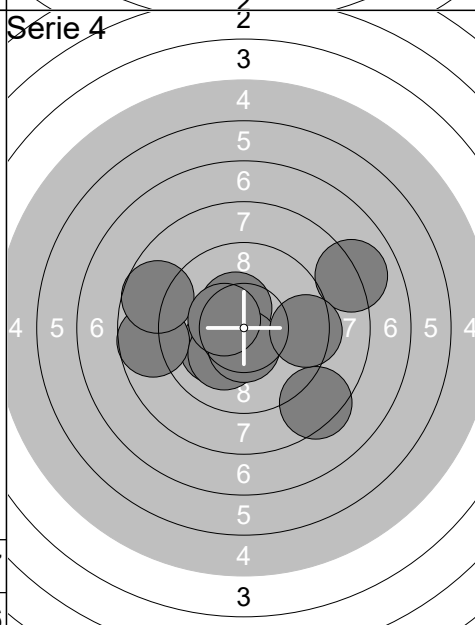
1:	7.7	↖
2:	10.0	↑
3:	10.0	↙
4:	9.3	↑
5:	9.8	→
6:	9.4	←
7:	10.2x	↑
8:	9.3	↑
9:	9.1	↘
10:	9.8	↑
Series	94.6	
	94.6	



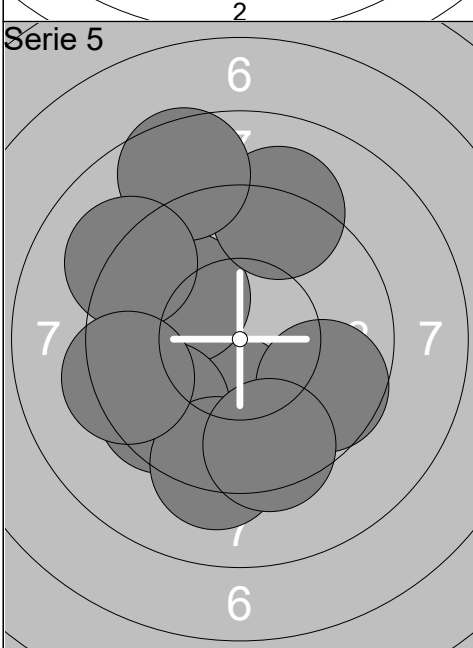
1:	9.7	↗
2:	8.7	→
3:	9.6	→
4:	9.1	→
5:	7.8	↖
6:	8.8	→
7:	10.1	←
8:	9.6	←
9:	9.8	↖
10:	8.1	←
Series	91.3	
	185.9	



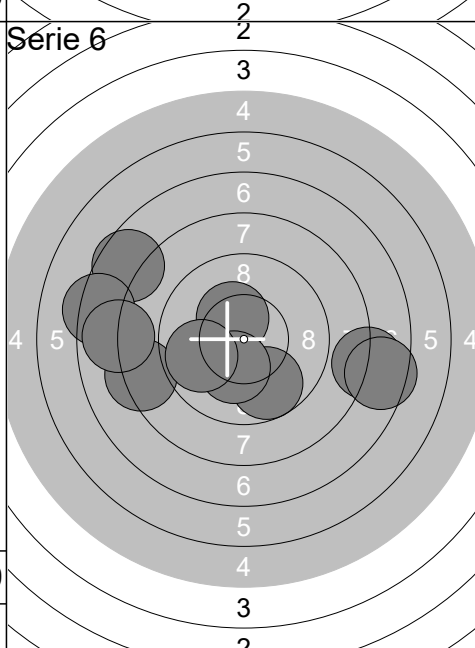
1:	9.5	↑
2:	9.0	←
3:	10.4x	↙
4:	10.4x	↑
5:	9.4	↖
6:	10.0	→
7:	10.9x	
8:	8.1	←
9:	7.0	↘
10:	10.0	↙
Series	94.7	
	280.6	



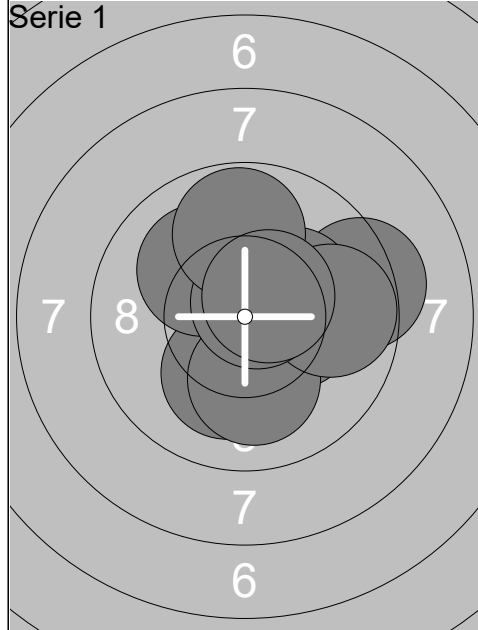
1:	10.1	↖
2:	8.6	←
3:	10.1	↙
4:	8.0	→
5:	8.7	←
6:	8.4	↘
7:	10.4x	↖
8:	10.5x	↓
9:	9.4	→
10:	10.4x	↖
Series	94.6	
	375.2	



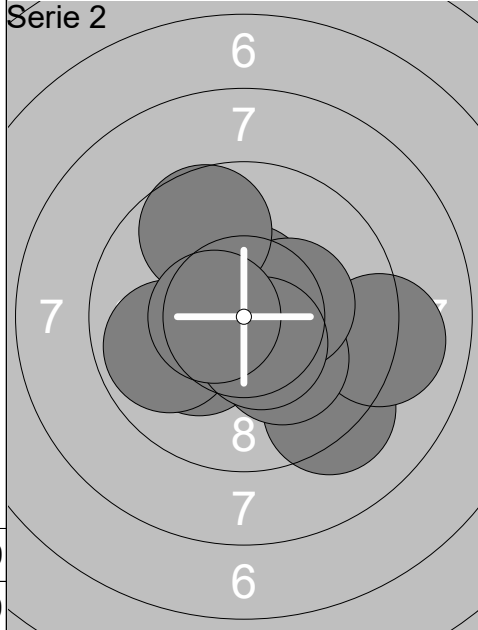
1:	10.1	↓
2:	10.0	↖
3:	9.5	↙
4:	9.1	↑
5:	8.6	↑
6:	9.2	↓
7:	9.1	↖
8:	9.6	↘
9:	9.4	↓
10:	9.3	←
Series	93.9	
	469.1	



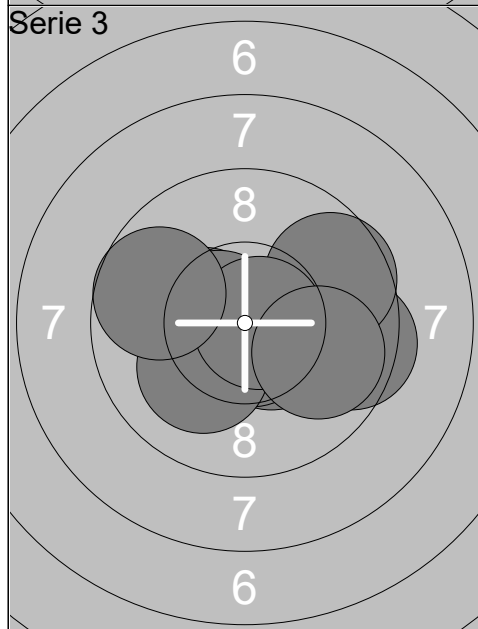
1:	10.4x	↖
2:	7.6	↖
3:	8.3	←
4:	7.8	→
5:	7.5	→
6:	9.7	↓
7:	7.3	←
8:	10.2x	↓
9:	7.9	←
10:	9.8	←
Series	86.5	
	555.6	



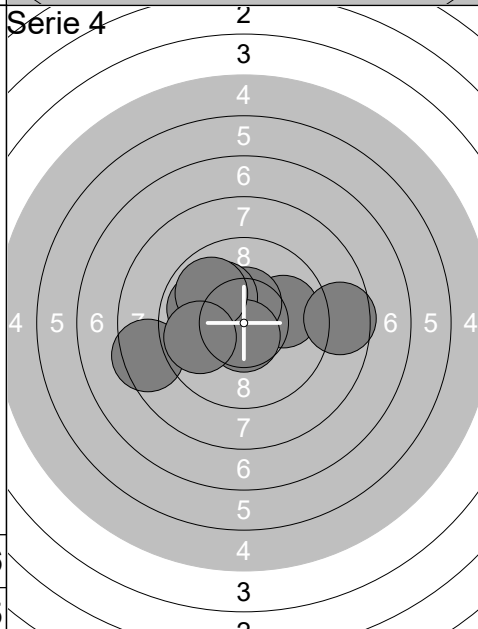
1:	9.3	→
2:	10.1	↓
3:	10.3x	→
4:	10.2x	→
5:	10.1	↖
6:	10.1	↓
7:	9.8	→
8:	10.7x	↗
9:	9.8	↑
10:	10.5x	↗
Series	100.9	
	100.9	



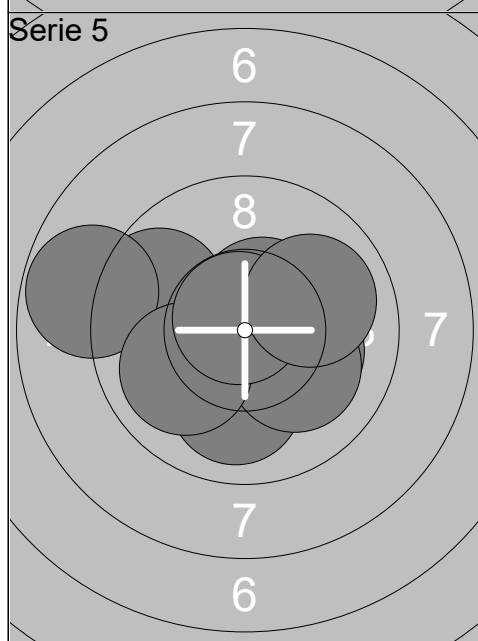
1:	9.2	↘
2:	10.2x	↙
3:	10.6x	↑
4:	9.0	→
5:	10.1	↘
6:	9.9	←
7:	10.3x	→
8:	9.7	↖
9:	10.5x	↘
10:	10.5x	←
Series	100.0	
	200.9	



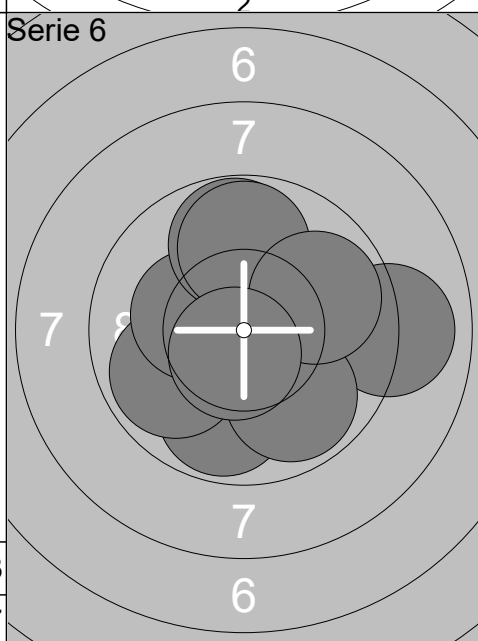
1:	10.3x	←
2:	10.6x	←
3:	10.5x	↘
4:	10.7x	↓
5:	9.5	→
6:	9.6	↗
7:	10.1	↓
8:	10.7x	→
9:	9.7	←
10:	9.9	→
Series	101.6	
	302.5	



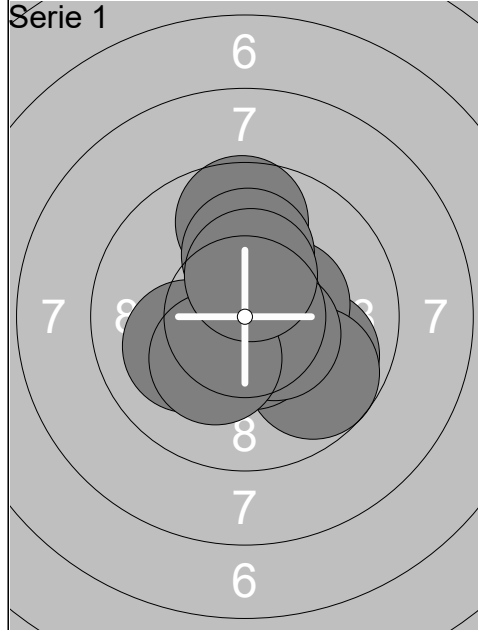
1:	9.9	←
2:	10.4x	←
3:	9.9	→
4:	10.4x	↑
5:	10.1	↖
6:	8.4	←
7:	8.6	→
8:	10.6x	↓
9:	9.8	↖
10:	9.8	←
Series	97.9	
	400.4	



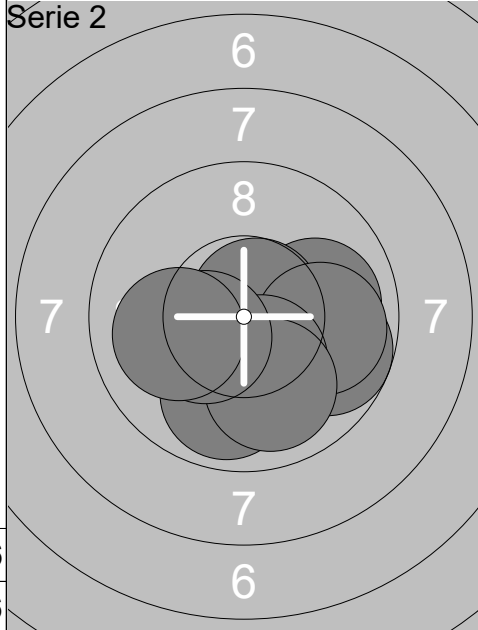
1:	10.2x	→
2:	9.7	←
3:	8.8	←
4:	10.5x	↗
5:	10.3x	→
6:	10.0	↓
7:	10.1	↘
8:	10.0	↙
9:	10.7x	↖
10:	10.0	↗
Series	100.3	
	500.7	



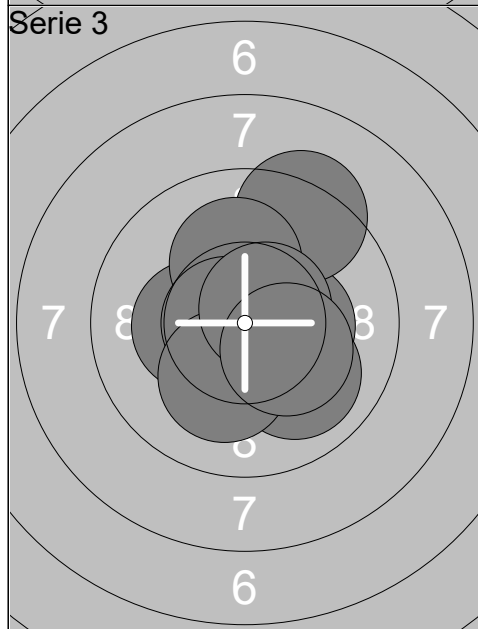
1:	9.0	→
2:	10.4x	→
3:	9.8	↓
4:	9.8	↘
5:	9.9	↙
6:	10.3x	←
7:	9.8	↑
8:	9.8	↑
9:	9.9	↗
10:	10.6x	↘
Series	99.3	
	600.0	



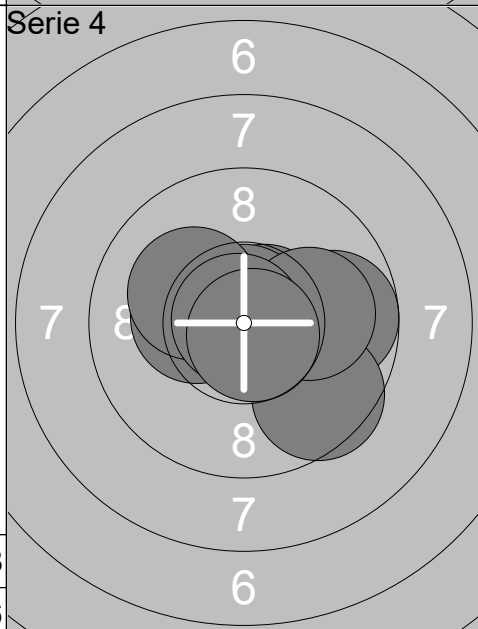
1:	9.9	↘
2:	9.7	↑
3:	10.4x	→
4:	9.8	↘
5:	10.1	↙
6:	10.6x	↓
7:	10.5x	↘
8:	10.1	↑
9:	10.2x	↙
10:	10.3x	↑
Series	101.6	
	101.6	



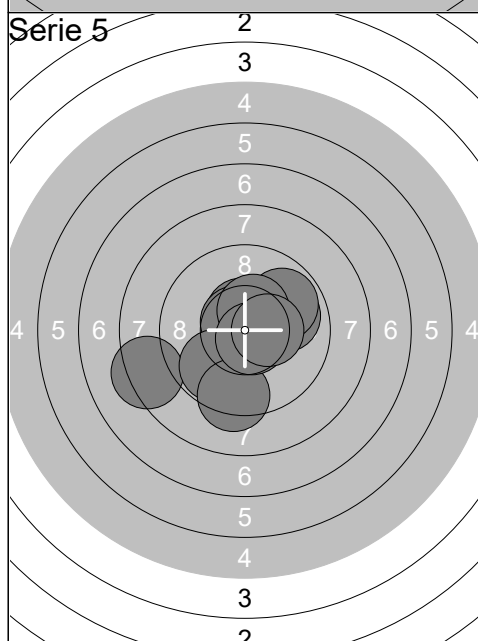
1:	10.5x	↘
2:	9.7	→
3:	10.0	→
4:	9.9	↓
5:	10.7x	↗
6:	9.9	→
7:	10.3x	↓
8:	9.9	↓
9:	10.3x	↙
10:	10.0	←
Series	101.2	
	202.8	



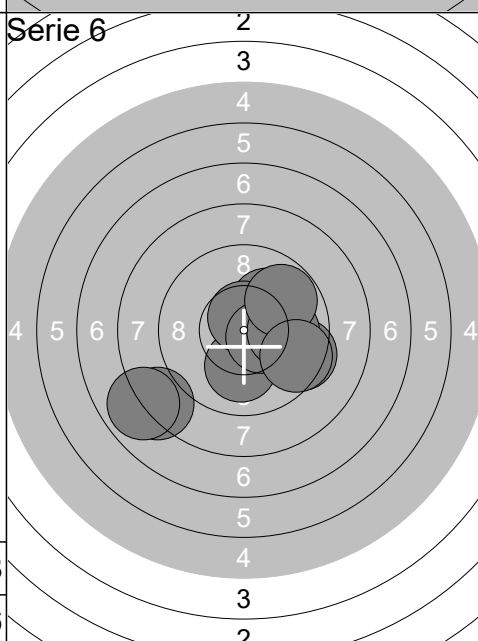
1:	10.1	↑
2:	10.3x	→
3:	10.0	↘
4:	9.3	↗
5:	10.3x	←
6:	10.1	↑
7:	10.7x	←
8:	10.1	↓
9:	10.6x	↗
10:	10.3x	↘
Series	101.8	
	304.6	



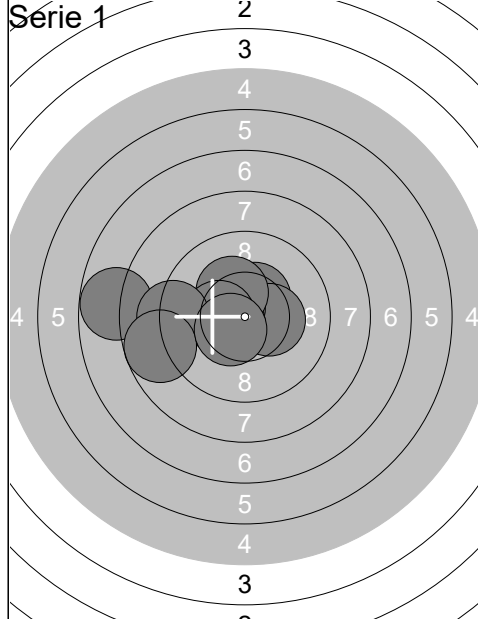
1:	10.6x	↗
2:	9.7	→
3:	10.3x	←
4:	10.4x	↘
5:	10.8x	↑
6:	9.6	↘
7:	10.1	→
8:	10.2x	↖
9:	10.8x	↖
10:	10.7x	↓
Series	103.2	
	407.8	



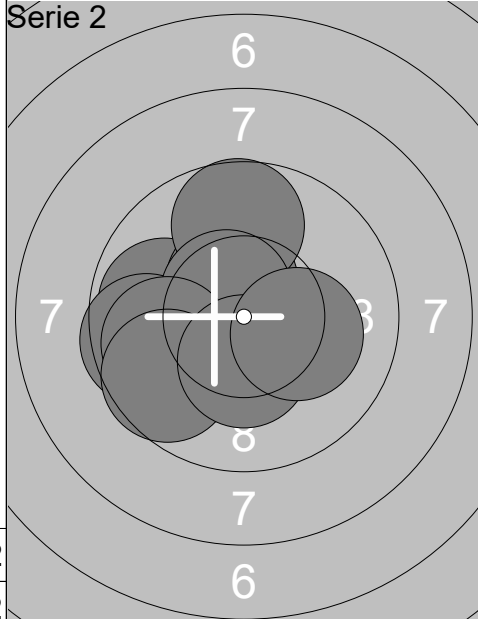
1:	8.3	←
2:	10.5x	↑
3:	10.7x	↖
4:	9.9	→
5:	9.8	↗
6:	9.8	↘
7:	10.4x	↗
8:	9.3	↓
9:	10.7x	↘
10:	10.4x	→
Series	99.8	
	507.6	



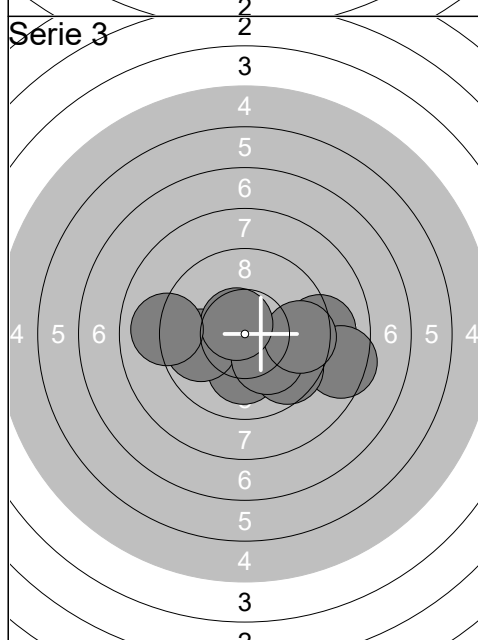
1:	10.1	↗
2:	10.0	↓
3:	9.4	→
4:	10.6x	↑
5:	10.4x	↘
6:	10.0	→
7:	9.8	↗
8:	8.1	↙
9:	9.5	↘
10:	7.8	↙
Series	95.7	
	603.3	



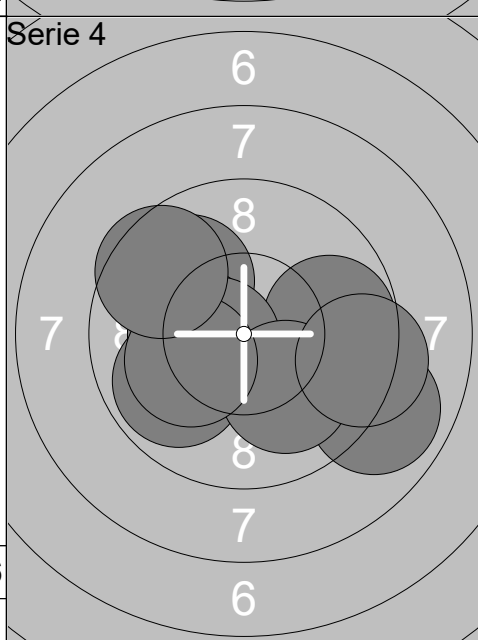
1:	10.4x ↗
2:	10.3x →
3:	7.7 ←
4:	10.5x ↖
5:	10.5x ↙
6:	10.2x ↗
7:	10.3x ←
8:	9.2 ←
9:	8.7 ←
10:	10.4x ↙
Series	98.2
	98.2



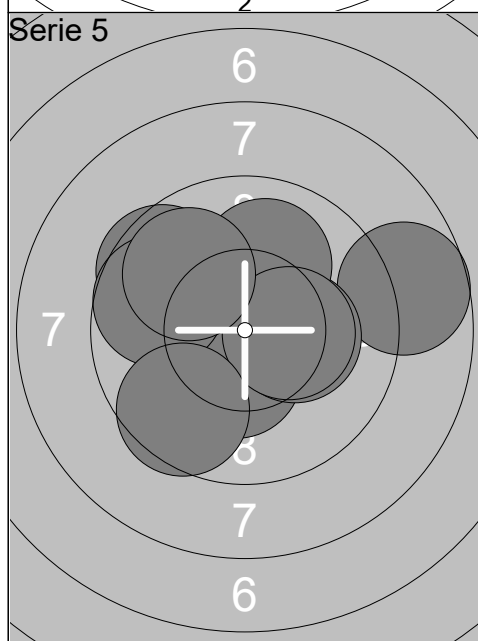
1:	9.8 ←
2:	10.5x ↗
3:	9.7 ↑
4:	10.2x ↙
5:	9.6 ←
6:	10.6x ↖
7:	9.8 ←
8:	9.6 ↙
9:	10.3x ↓
10:	10.2x →
Series	100.3
	198.5



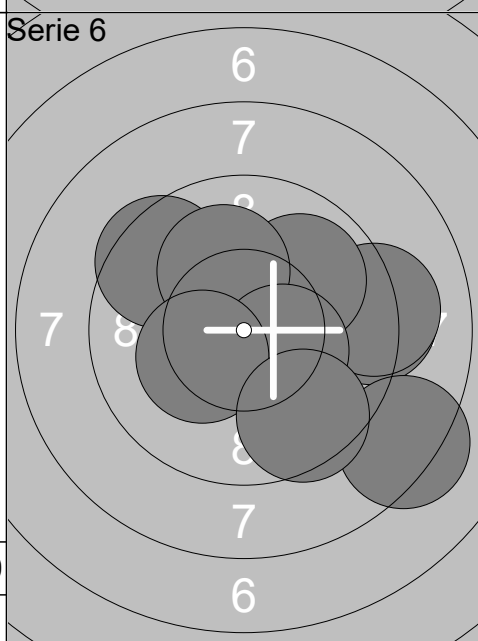
1:	10.1 ↓
2:	9.2 →
3:	9.1 →
4:	8.5 →
5:	9.8 ←
6:	9.6 ↙
7:	10.1 ↓
8:	9.6 →
9:	10.6x ↗
10:	9.0 ←
Series	95.6
	294.1



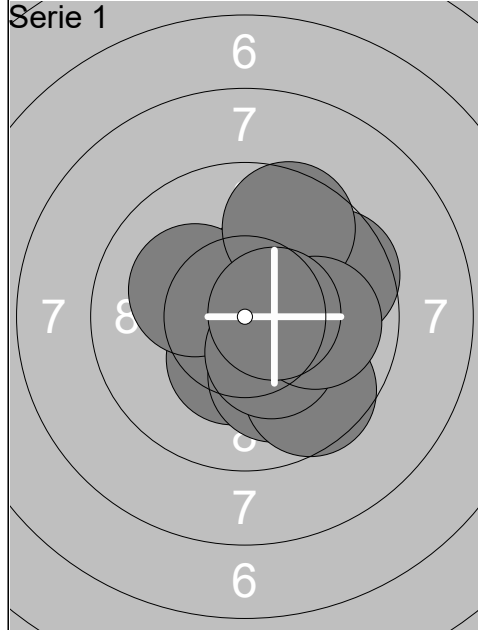
1:	9.8 →
2:	9.9 ↗
3:	9.8 ↙
4:	10.2x ←
5:	10.5x ↙
6:	8.9 ↘
7:	10.0 ↓
8:	10.1 ←
9:	9.3 →
10:	9.5 ↖
Series	98.0
	392.1



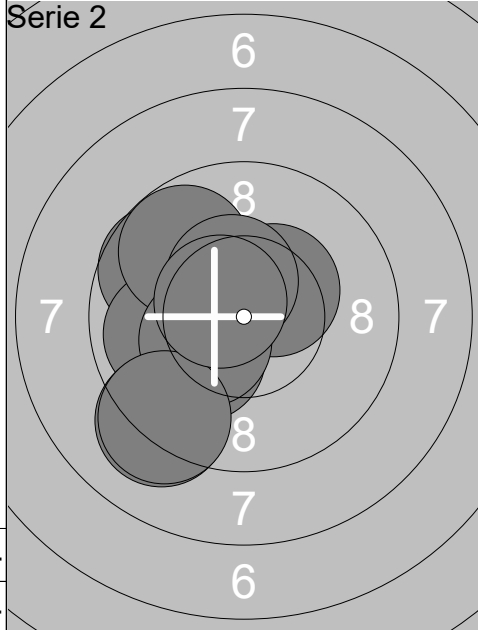
1:	9.5 ↖
2:	10.7x ↗
3:	10.3x ↓
4:	8.7 →
5:	9.7 ←
6:	10.3x →
7:	10.0 ↑
8:	10.3x →
9:	9.6 ↙
10:	9.9 ↖
Series	99.0
	491.1



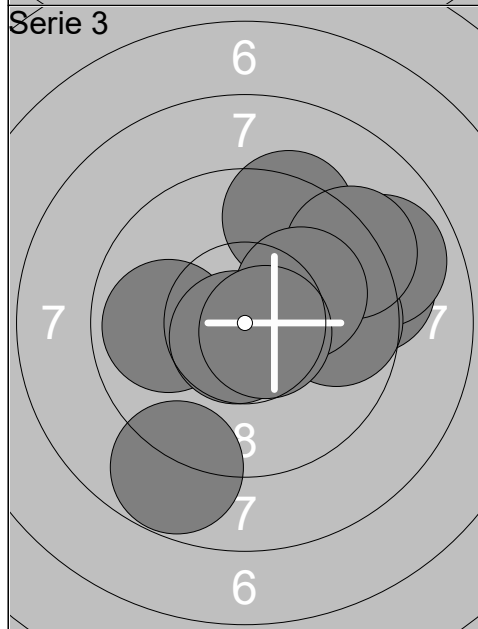
1:	9.2 →
2:	10.8x ↗
3:	9.1 →
4:	9.5 ↖
5:	9.9 ↗
6:	8.3 ↘
7:	10.1 ↑
8:	10.3x ↘
9:	10.2x ↙
10:	9.5 ↓
Series	96.9
	588.0



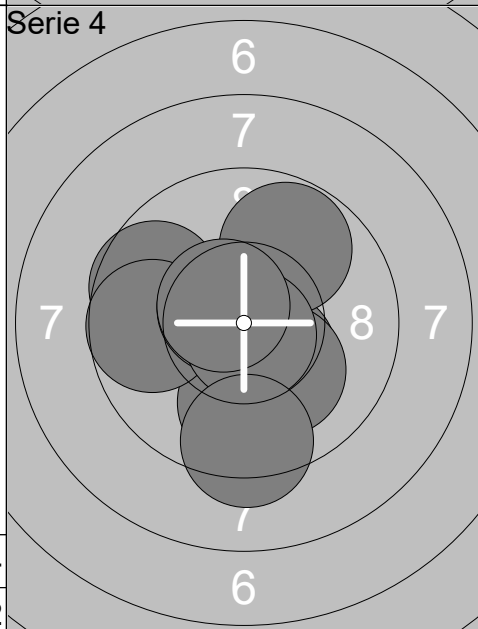
1:	10.3x	↓
2:	9.6	→
3:	10.4x	↗
4:	10.1	↖
5:	10.0	↓
6:	9.6	↗
7:	9.6	↓
8:	10.3x	↓
9:	10.0	→
10:	10.5x	→
Series	100.4	
	100.4	



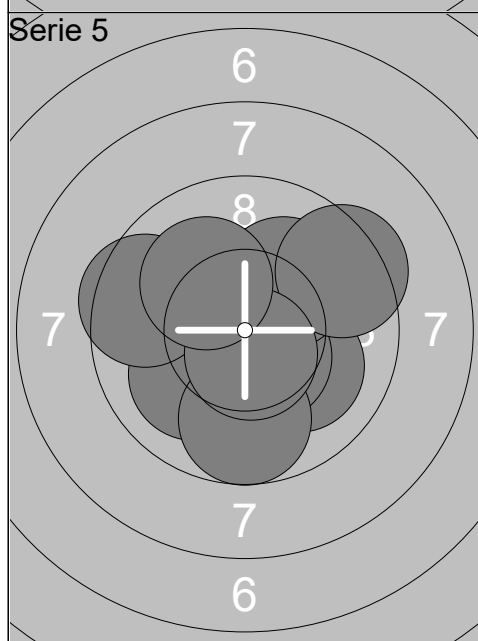
1:	9.7	↖
2:	10.1	↙
3:	9.9	←
4:	9.8	↗
5:	10.4x	↗
6:	10.3x	↙
7:	10.4x	↗
8:	9.1	↙
9:	9.2	↙
10:	10.5x	↖
Series	99.4	
	199.8	



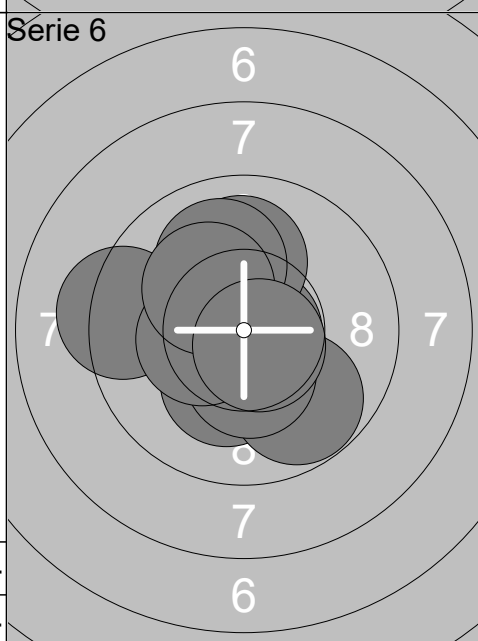
1:	9.9	←
2:	9.4	↗
3:	9.2	→
4:	8.9	→
5:	9.7	→
6:	8.7	↓
7:	10.7x	↓
8:	9.2	↗
9:	10.1	↗
10:	10.6x	↘
Series	96.4	
	296.2	



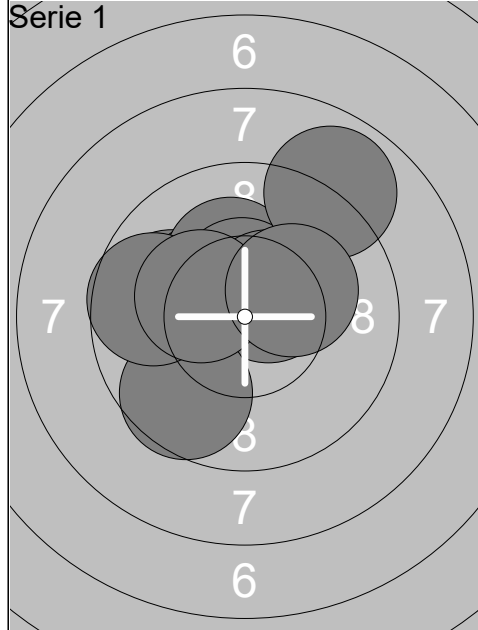
1:	9.9	↓
2:	10.4x	↓
3:	9.6	↖
4:	10.1	↓
5:	9.7	←
6:	10.6x	↖
7:	9.8	↗
8:	10.8x	↓
9:	10.6x	↖
10:	9.3	↓
Series	100.8	
	397.0	



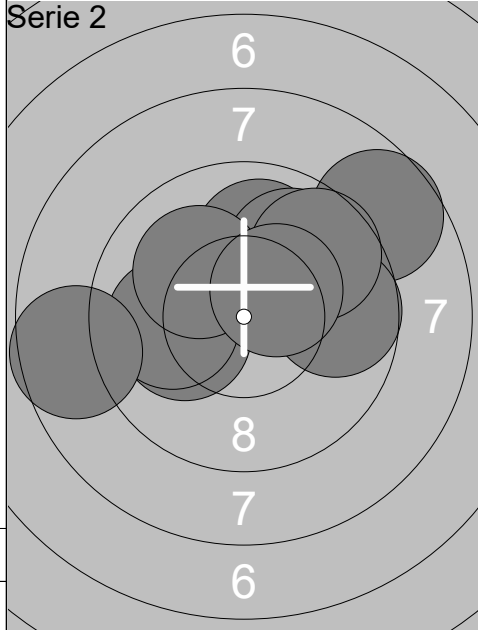
1:	10.1	↘
2:	10.0	↙
3:	9.5	←
4:	10.5x	↓
5:	10.4x	↗
6:	10.1	↗
7:	9.4	↗
8:	9.7	↓
9:	10.6x	↓
10:	10.1	↖
Series	100.4	
	497.4	



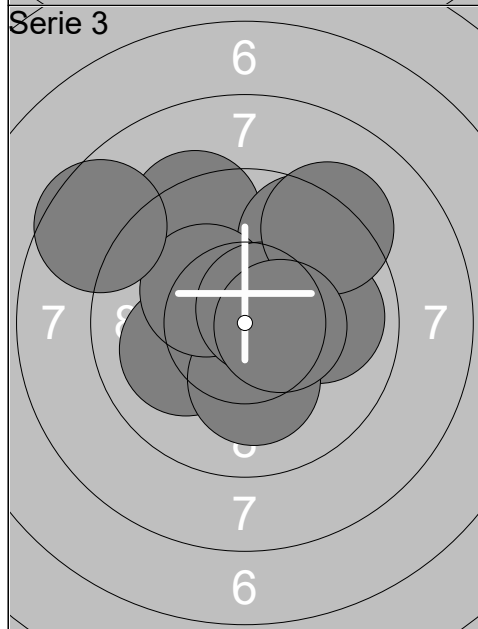
1:	10.7x	→
2:	10.2x	↓
3:	10.0	↑
4:	9.7	↓
5:	9.3	←
6:	10.0	↗
7:	10.4x	↓
8:	10.4x	↙
9:	10.2x	↖
10:	10.6x	↘
Series	101.5	
	598.9	



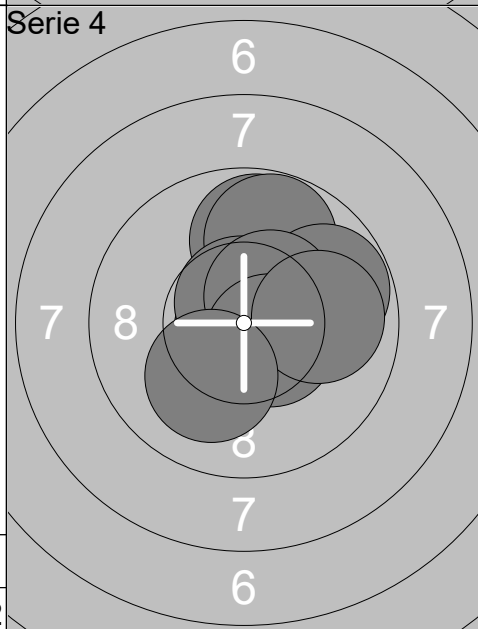
1:	9.9	←
2:	10.3x	↖
3:	10.2x	↗
4:	10.5x	↑
5:	10.5x	↗
6:	9.6	↘
7:	9.7	←
8:	10.3x	↖
9:	8.9	↗
10:	10.2x	↗
Series	100.1	
	100.1	



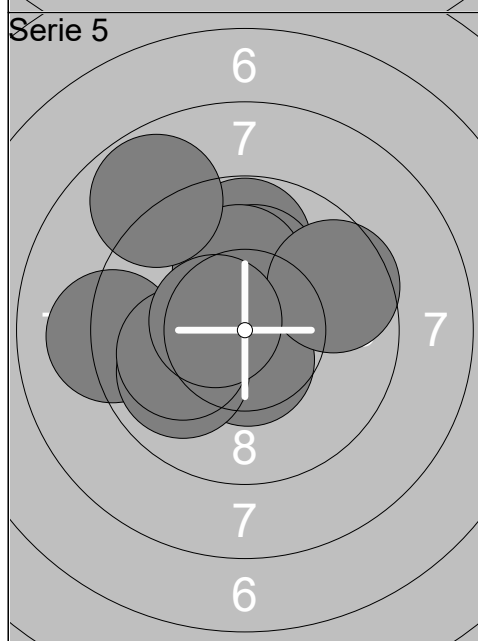
1:	10.1	←
2:	10.0	↑
3:	10.0	←
4:	8.7	↗
5:	9.9	↗
6:	10.1	↖
7:	9.7	→
8:	9.6	↗
9:	10.3x	↗
10:	8.6	←
Series	97.0	
	197.1	



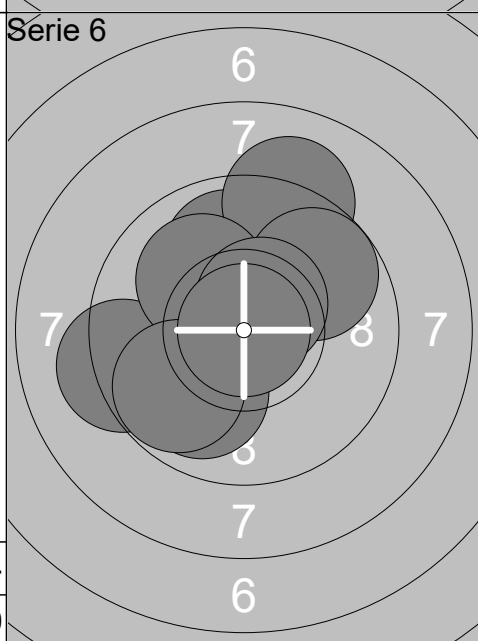
1:	10.0	←
2:	9.3	↗
3:	9.6	↗
4:	9.9	→
5:	10.2x	↓
6:	10.3x	↖
7:	8.6	↖
8:	10.6x	↗
9:	9.2	↗
10:	10.4x	→
Series	98.1	
	295.2	



1:	9.8	↑
2:	10.7x	↗
3:	9.8	↑
4:	9.8	↗
5:	10.8x	↓
6:	10.6x	↑
7:	10.4x	↗
8:	10.5x	↘
9:	9.9	→
10:	10.1	↓
Series	102.4	
	397.6	



1:	10.5x	↓
2:	9.8	↑
3:	9.1	←
4:	10.1	↑
5:	10.1	↑
6:	8.8	↖
7:	9.9	↖
8:	9.6	↗
9:	10.0	←
10:	10.5x	↖
Series	98.4	
	496.0	



1:	9.9	↑
2:	9.2	←
3:	10.5x	↑
4:	9.1	↗
5:	9.9	↘
6:	9.7	↗
7:	10.0	↖
8:	9.8	↖
9:	10.5x	↗
10:	10.9x	
Series	99.5	
	595.5	

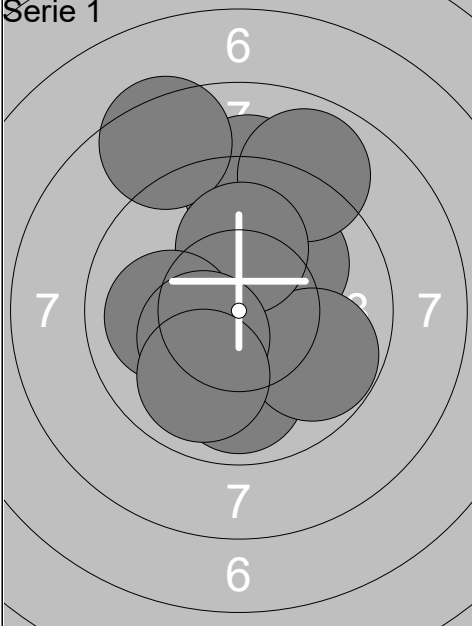
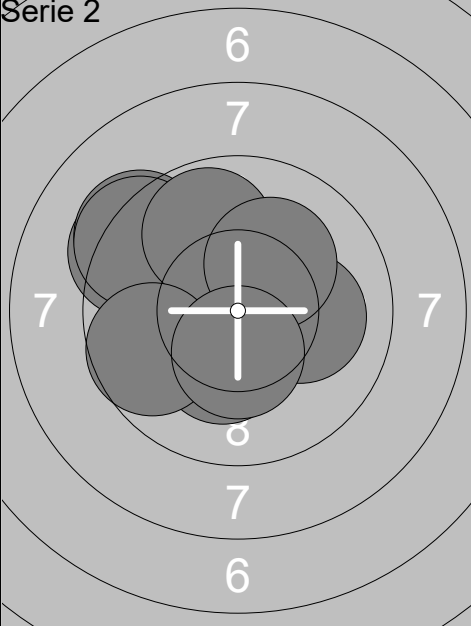
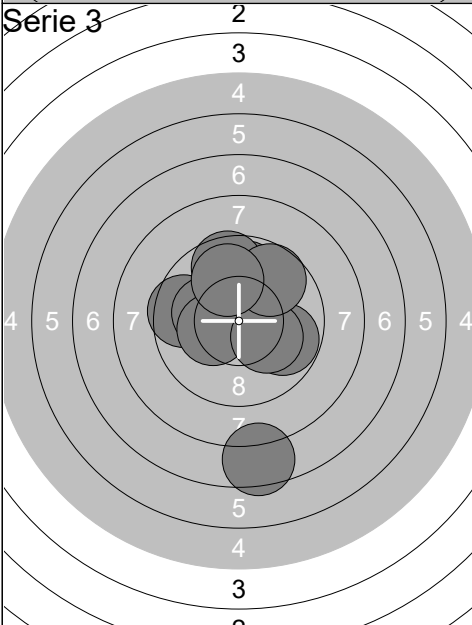
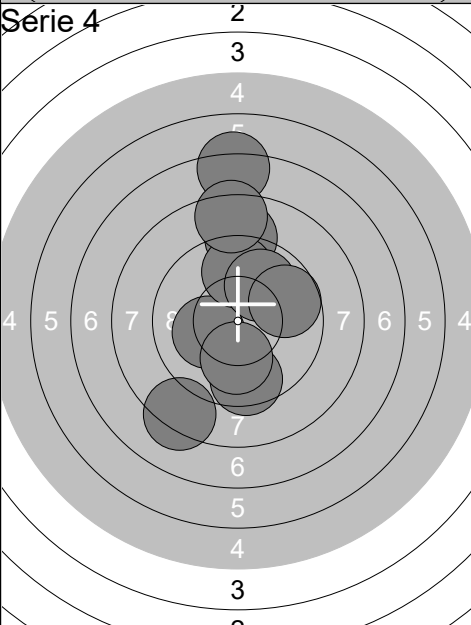
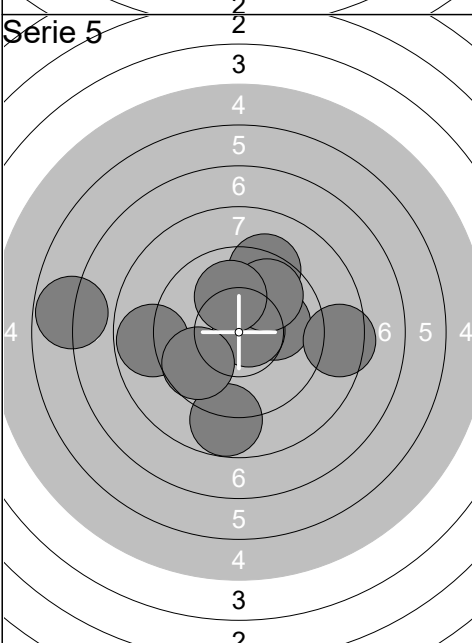
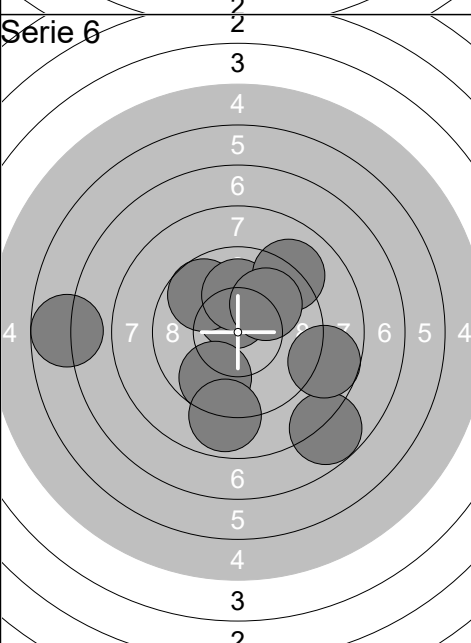
Relay	Lane	Martin Nesvik Voss		
3	22	Day 1 Denmark Open Air	Kisen MSL	MJ
14.02.2020	Day 1 Denmark Open Air 2020	Denmark Open Air 2020		
Serie 1 	1: 10.2x ↓	Serie 2 	1: 10.5x ↑	
	2: 10.6x ↓		2: 10.9x ↓	
	3: 10.8x ↙		3: 9.6 →	
4: 10.2x ↘	4: 10.5x ↘	5: 10.1 →	5: 10.1 →	
5: 10.6x ↑	6: 10.4x →	6: 10.4x →	6: 10.4x →	
6: 8.8 ↑	7: 10.6x ↓	7: 10.6x ↓	7: 10.6x ↓	
7: 10.0 ↘	8: 9.5 ↘	8: 9.5 ↘	8: 9.5 ↘	
8: 9.9 ↑	9: 10.3x ↘	9: 10.3x ↘	9: 10.3x ↘	
9: 9.3 ↗	10: 9.6 →	10: 9.6 →	10: 9.6 →	
10: 10.3x →				
Series 100.7	Series 102.0			
100.7	202.7			
Serie 3 	1: 9.9 ↗	Serie 4 	1: 10.2x ↙	
	2: 10.7x ↖		2: 10.0 ↖	
	3: 10.6x ↓		3: 10.4x ↑	
4: 10.6x ↗	4: 10.1 ↘	5: 10.4x ↖	5: 10.4x ↖	
5: 10.3x ↙	6: 10.0 →	6: 10.0 →	6: 10.0 →	
6: 10.5x ↗	7: 10.3x ↗	7: 10.3x ↗	7: 10.3x ↗	
7: 10.0 ↑	8: 10.0 →	8: 10.0 →	8: 10.0 →	
8: 10.2x ↘	9: 10.5x ↓	9: 10.5x ↓	9: 10.5x ↓	
9: 10.5x ↑	10: 10.4x ↙	10: 10.4x ↙	10: 10.4x ↙	
10: 10.2x →				
Series 103.5	Series 102.3			
306.2	408.5			
Serie 5 	1: 10.1 ←	Serie 6 	1: 9.8 ↑	
	2: 9.8 ↓		2: 10.8x ↑	
	3: 9.6 ↖		3: 9.6 ↓	
4: 10.5x ↖	4: 10.7x ↑	5: 9.5 ↑	5: 9.5 ↑	
5: 10.2x ↑	6: 10.3x ↖	6: 10.3x ↖	6: 10.3x ↖	
6: 10.7x ↓	7: 10.3x ↗	7: 10.3x ↗	7: 10.3x ↗	
7: 10.7x ↗	8: 10.5x ↖	8: 10.5x ↖	8: 10.5x ↖	
8: 9.0 ↑	9: 10.7x ↘	9: 10.7x ↘	9: 10.7x ↘	
9: 10.4x ↖	10: 10.3x ↗	10: 10.3x ↗	10: 10.3x ↗	
10: 9.4 ↑				
Series 100.4	Series 102.5			
508.9	611.4			

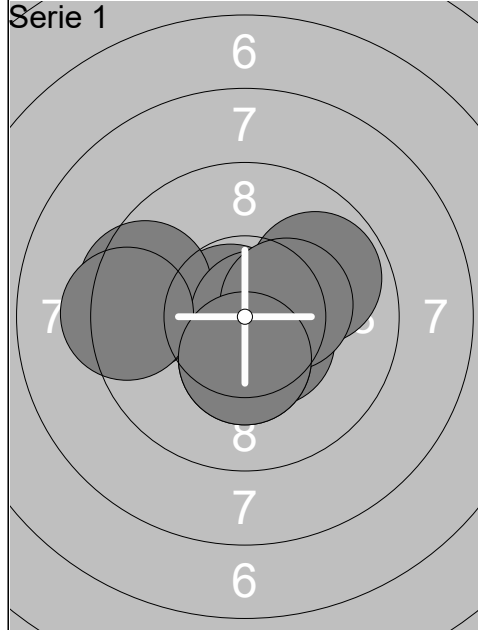
Relay	Lane	Emil L. Nielsen		
3	23	Day 1 Denmark Open Air	Aalborg Skyttekreds	MJ
14.02.2020	Day 1 Denmark Open Air 2020	Denmark Open Air 2020		
Serie 1 	1: 9.5 ←	Serie 2 	1: 10.0 ←	
	2: 10.9x ↓		2: 10.3x ↖	
	3: 10.2x →		3: 9.5 ↖	
	4: 10.2x ←		4: 9.6 ↙	
	5: 10.4x ↙		5: 10.5x ←	
	6: 10.6x →		6: 10.2x ←	
	7: 10.3x ↙		7: 10.4x ↙	
	8: 10.3x →		8: 10.6x →	
	9: 10.7x ↘		9: 9.7 ←	
	10: 9.6 ↗		10: 10.1 ←	
	Series 102.7		Series 100.9	
	102.7		203.6	
Serie 3 	1: 10.5x ↑	Serie 4 	1: 10.8x ↗	
	2: 8.8 ↖		2: 10.6x →	
	3: 10.3x ↑		3: 10.6x ↑	
	4: 10.2x ↖		4: 10.3x →	
	5: 10.3x ↘		5: 10.2x ↓	
	6: 10.1 ↑		6: 10.3x ↘	
	7: 10.8x ↑		7: 10.2x →	
	8: 10.8x ↑		8: 10.4x ↓	
	9: 9.9 ↘		9: 10.3x ↓	
	10: 10.6x ↖		10: 10.1 →	
	Series 102.3		Series 103.8	
	305.9		409.7	
Serie 5 	1: 9.9 ↓	Serie 6 	1: 10.2x ↖	
	2: 9.9 ↓		2: 10.2x ←	
	3: 9.8 →		3: 10.1 ↘	
	4: 10.5x ←		4: 9.8 ↖	
	5: 10.1 ←		5: 10.1 ↑	
	6: 10.2x →		6: 10.2x ↑	
	7: 10.2x ←		7: 10.7x ↖	
	8: 10.2x ←		8: 10.2x →	
	9: 10.1 ↗		9: 10.4x ↑	
	10: 9.8 ↖		10: 10.2x →	
	Series 100.7		Series 102.1	
	510.4		612.5	

<p>Serie 1</p>	<p>1: 10.8x ↙ 2: 9.8 ↗ 3: 9.7 → 4: 10.3x ↓ 5: 10.3x ↑ 6: 10.1 ↗ 7: 9.8 ↗ 8: 10.1 ↗ 9: 10.3x ← 10: 10.2x ↙</p> <p>Series 101.4</p> <p style="text-align: center;">101.4</p>	<p>Serie 2</p>	<p>1: 10.1 ↗ 2: 9.9 ← 3: 10.7x ↑ 4: 10.6x → 5: 9.9 ↑ 6: 9.6 → 7: 10.5x ↓ 8: 9.3 ↗ 9: 10.0 ↑ 10: 9.9 →</p> <p>Series 100.5</p> <p style="text-align: center;">201.9</p>
-----------------------	-----------------------------------------------------------------------------------------------------------------------------------------------------------------------------------------------------------------------	-----------------------	-------------------------------------------------------------------------------------------------------------------------------------------------------------------------------------------------------------------

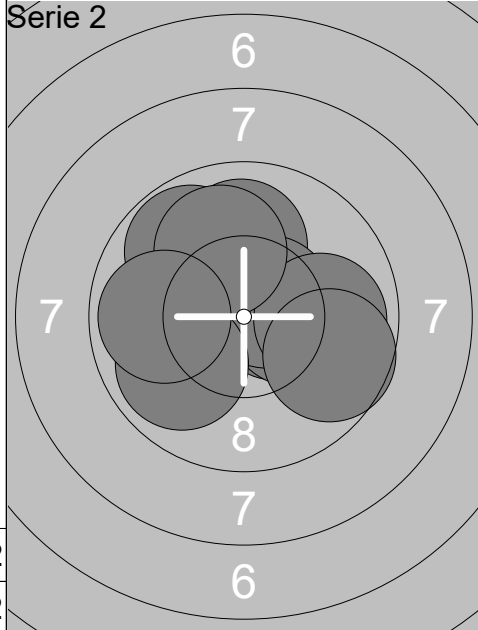
<p>Serie 3</p>	<p>1: 9.8 → 2: 10.1 ↙ 3: 9.5 ↓ 4: 9.4 ← 5: 10.2x ↗ 6: 10.8x ↙ 7: 9.2 ↙ 8: 10.4x ↗ 9: 10.1 ↗ 10: 10.1 ↗</p> <p>Series 99.6</p> <p style="text-align: center;">301.5</p>	<p>Serie 4</p>	<p>1: 10.2x ↗ 2: 10.4x ↓ 3: 9.5 ↑ 4: 10.1 ← 5: 10.4x ↗ 6: 10.1 ↑ 7: 10.4x → 8: 10.4x ↗ 9: 10.6x ← 10: 9.7 ↓</p> <p>Series 101.8</p> <p style="text-align: center;">403.3</p>
-----------------------	-------------------------------------------------------------------------------------------------------------------------------------------------------------------------------------------------------------------	-----------------------	-------------------------------------------------------------------------------------------------------------------------------------------------------------------------------------------------------------------------

<p>Serie 5</p>	<p>1: 10.7x ↗ 2: 9.8 ↓ 3: 9.9 ↑ 4: 10.0 ↓ 5: 9.6 ↓ 6: 10.5x → 7: 10.2x → 8: 10.0 ↓ 9: 10.5x ↙ 10: 10.5x ↙</p> <p>Series 101.7</p> <p style="text-align: center;">505.0</p>	<p>Serie 6</p>	<p>1: 9.7 ↙ 2: 10.5x ↙ 3: 10.7x → 4: 10.8x ↓ 5: 8.9 ↗ 6: 10.3x ↓ 7: 9.4 ← 8: 9.9 ↓ 9: 10.3x ↙ 10: 10.4x ↙</p> <p>Series 100.9</p> <p style="text-align: center;">605.9</p>
-----------------------	-----------------------------------------------------------------------------------------------------------------------------------------------------------------------------------------------------------------------	-----------------------	-----------------------------------------------------------------------------------------------------------------------------------------------------------------------------------------------------------------------

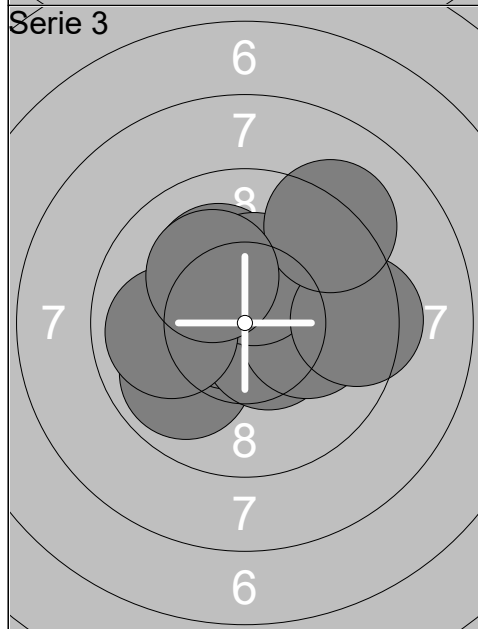
Relay	Lane	Kasper Lousdal	
3	26		
Day 1 Denmark Open Air		Boddum-Ydby Skytteforening	MJ
14.02.2020		Day 1 Denmark Open Air 2020	Denmark Open Air 2020
Série 1			1: 9.9 ↓ 2: 10.1 ↗ 3: 9.2 ↑ 4: 8.9 ↗ 5: 9.8 ↘ 6: 8.4 ↗ 7: 10.1 ↑ 8: 10.0 ← 9: 10.3x ↙ 10: 9.9 ↓ Series 96.6 96.6
Série 2			1: 10.3x → 2: 10.3x ↓ 3: 9.3 ↖ 4: 9.3 ↗ 5: 9.3 ↖ 6: 10.1 → 7: 9.8 ↑ 8: 9.7 ↙ 9: 10.1 ↗ 10: 10.4x ↓ Series 98.6 195.2
Série 3			1: 9.8 ↑ 2: 9.6 ← 3: 10.1 ← 4: 10.2x ↙ 5: 9.8 ↘ 6: 10.1 ↘ 7: 9.6 ↑ 8: 9.7 ↗ 9: 7.5 ↓ 10: 9.9 ↑ Series 96.3 291.5
Série 4			1: 7.2 ↑ 2: 10.2x ↙ 3: 8.9 ↑ 4: 9.7 ↑ 5: 8.4 ↑ 6: 9.5 ↓ 7: 9.9 ↗ 8: 10.0 ↓ 9: 9.7 → 10: 8.2 ↓ Series 91.7 383.2
Série 5			1: 8.8 ← 2: 10.0 → 3: 6.8 ← 4: 10.7x → 5: 8.7 ↓ 6: 9.7 ↙ 7: 9.3 ↗ 8: 8.5 → 9: 9.8 ↗ 10: 10.0 ↑ Series 92.3 475.5
Série 6			1: 10.4x ↑ 2: 9.7 ↖ 3: 7.7 ↘ 4: 6.7 ← 5: 10.0 ↑ 6: 9.1 ↗ 7: 9.7 ↓ 8: 8.9 ↓ 9: 10.0 ↗ 10: 8.7 → Series 90.9 566.4



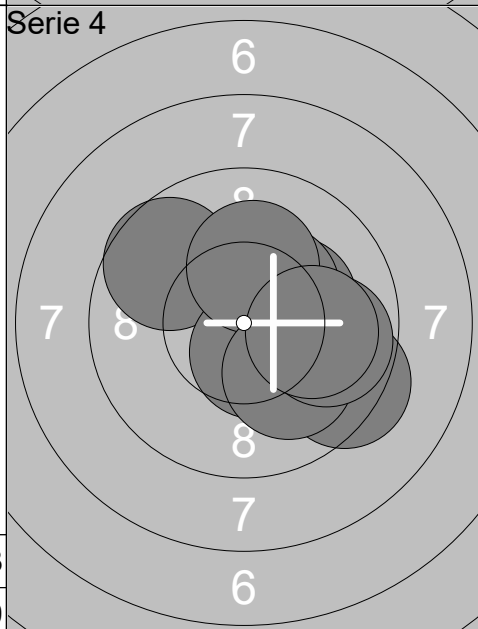
1:	9.5	←
2:	9.8	↗
3:	10.5x	↘
4:	10.7x	↖
5:	10.4x	↓
6:	9.5	←
7:	10.8x	→
8:	9.3	←
9:	10.3x	→
10:	10.4x	↓
Series	101.2	
	101.2	



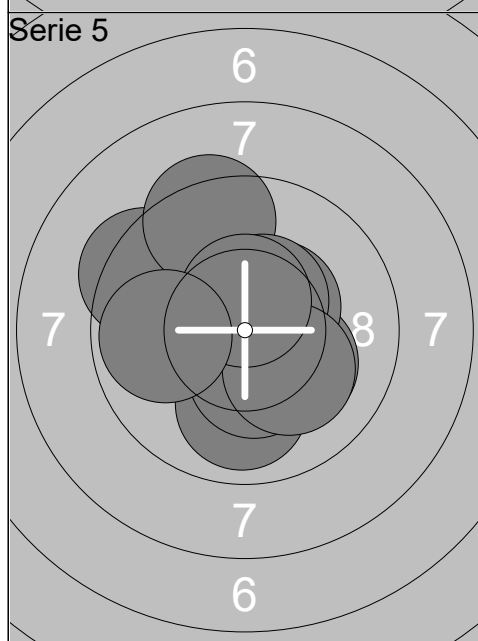
1:	10.5x	→
2:	10.2x	→
3:	10.0	↑
4:	10.5x	↗
5:	9.9	↖
6:	9.8	↗
7:	9.9	→
8:	10.0	↑
9:	9.9	←
10:	9.7	↘
Series	100.4	
	201.6	



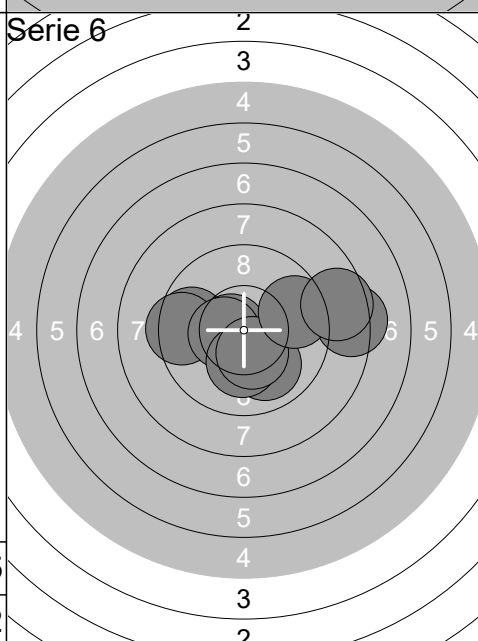
1:	9.9	↖
2:	10.7x	↖
3:	10.5x	↘
4:	10.1	→
5:	10.1	↗
6:	10.3x	↑
7:	9.4	→
8:	9.2	↗
9:	9.9	←
10:	10.2x	↖
Series	100.3	
	301.9	



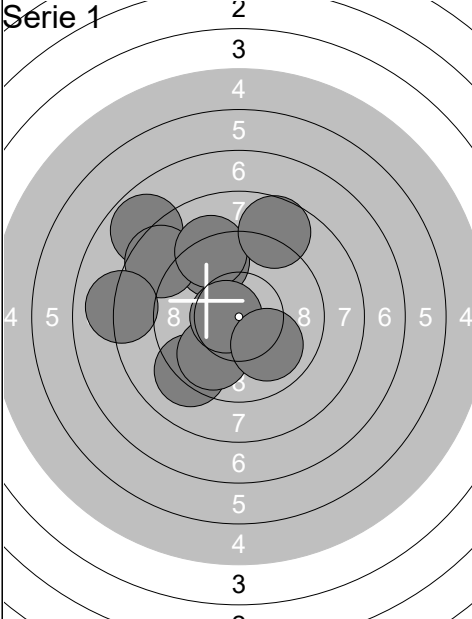
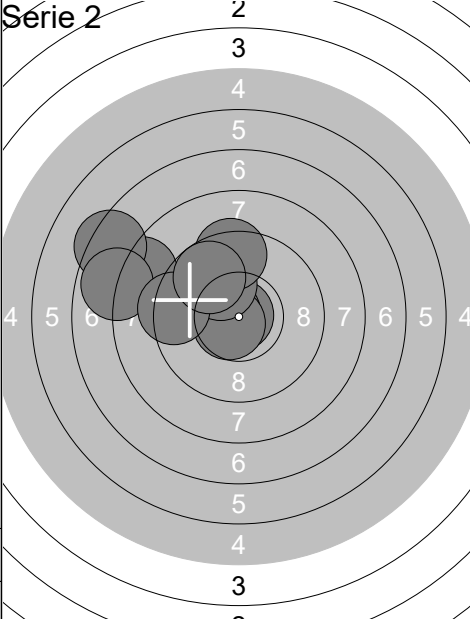
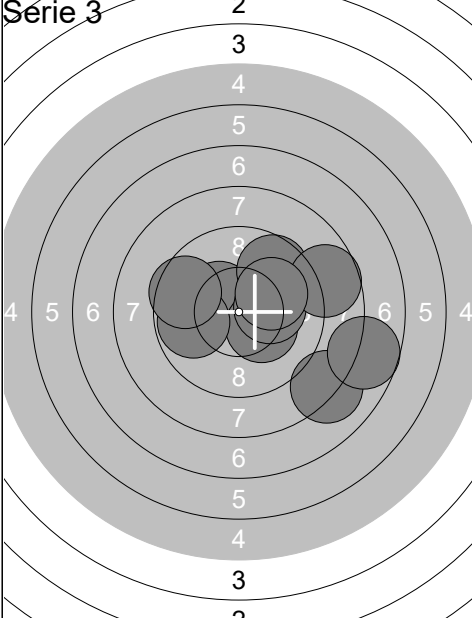
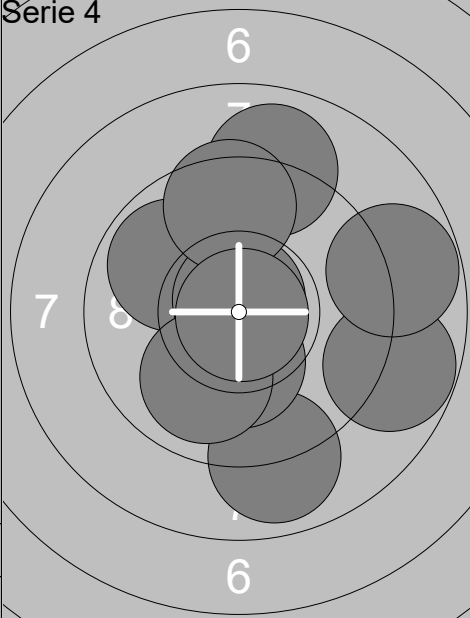
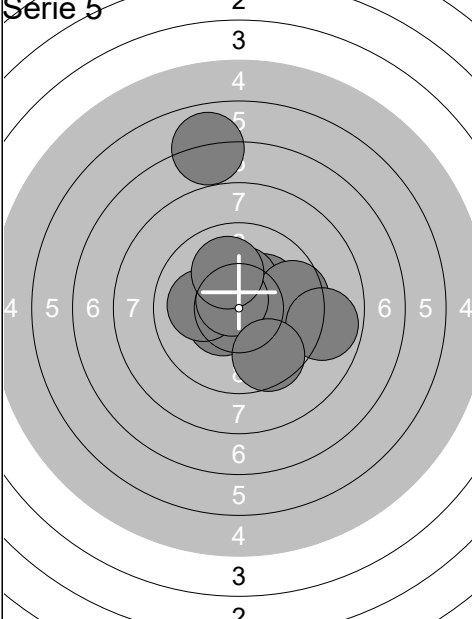
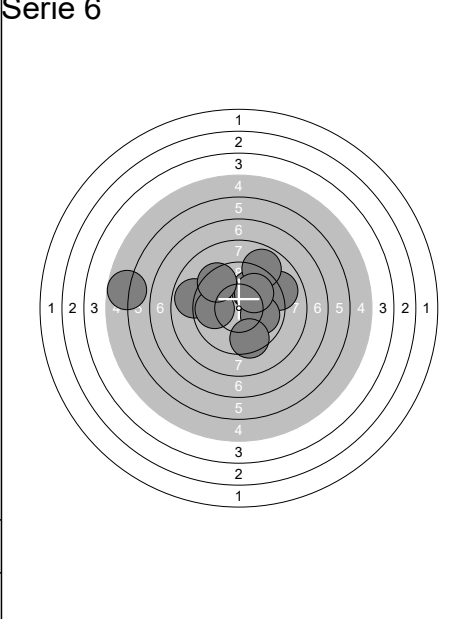
1:	9.6	↖
2:	10.2x	↗
3:	10.3x	↗
4:	10.5x	↓
5:	9.9	→
6:	9.3	↘
7:	10.2x	↑
8:	10.0	↘
9:	9.8	→
10:	10.0	→
Series	99.8	
	401.7	



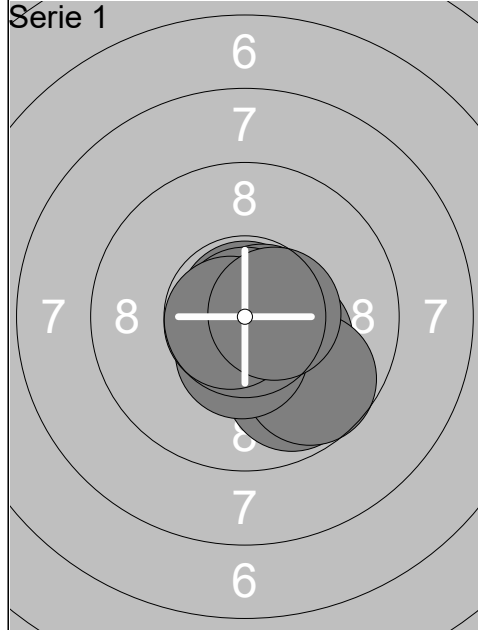
1:	9.9	↓
2:	9.4	↖
3:	10.2x	↘
4:	10.4x	↓
5:	9.4	↑
6:	10.4x	↗
7:	10.4x	↗
8:	10.1	↘
9:	10.5x	↑
10:	9.8	←
Series	100.5	
	502.2	



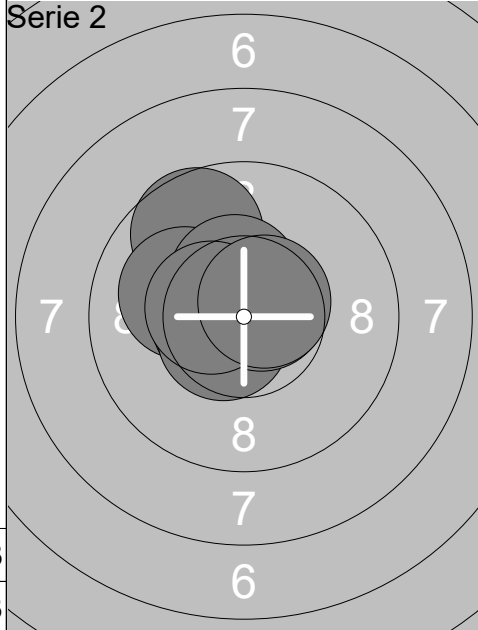
1:	8.3	→
2:	9.6	←
3:	9.4	←
4:	10.6x	←
5:	10.4x	←
6:	9.9	↓
7:	10.2x	↓
8:	10.3x	↓
9:	9.6	→
10:	8.6	→
Series	96.9	
	599.1	

Relay	Lane	Mikkel Kannik	
3	28		
Day 1 Denmark Open Air		Ølstykke Skytteforening	MJ
14.02.2020		Day 1 Denmark Open Air 2020	Denmark Open Air 2020
Série 1		1: 9.4 ↗ 2: 9.2 ↘ 3: 7.8 ↗ 4: 8.6 ↗ 5: 9.8 ↘ 6: 9.2 ↗ 7: 8.0 ← 8: 10.6x ← 9: 8.7 ↗ 10: 9.9 ↘ Series 91.2 91.2	Série 2  1: 10.9x ↗ 2: 8.3 ↖ 3: 10.6x ← 4: 10.6x ↘ 5: 7.3 ↖ 6: 10.0 ↗ 7: 7.8 ← 8: 9.3 ← 9: 9.4 ↗ 10: 9.7 ↗ Series 93.9 185.1
Série 3		1: 10.3x ↗ 2: 10.3x ↘ 3: 9.8 ← 4: 8.1 ↘ 5: 9.6 ↗ 6: 10.1 → 7: 8.7 → 8: 7.7 → 9: 9.5 ← 10: 10.0 → Series 94.1 279.2	Série 4  1: 8.9 ↓ 2: 9.8 ↗ 3: 9.0 ↗ 4: 10.3x ↓ 5: 8.8 → 6: 10.8x ↑ 7: 9.9 ↓ 8: 8.8 → 9: 9.5 ↑ 10: 10.9x ↘ Series 96.7 375.9
Série 5		1: 6.9 ↑ 2: 10.2x ↗ 3: 10.3x ↑ 4: 9.6 → 5: 8.8 → 6: 10.4x ↘ 7: 10.1 ← 8: 10.7x ↗ 9: 10.0 ↗ 10: 9.6 ↘ Series 96.6 472.5	Série 6  1: 9.9 ↗ 2: 9.0 → 3: 8.8 ← 4: 5.7 ← 5: 9.9 → 6: 8.8 ↗ 7: 9.8 ← 8: 10.0 ↗ 9: 9.5 ↓ 10: 9.4 ↗ Series 90.8 563.3

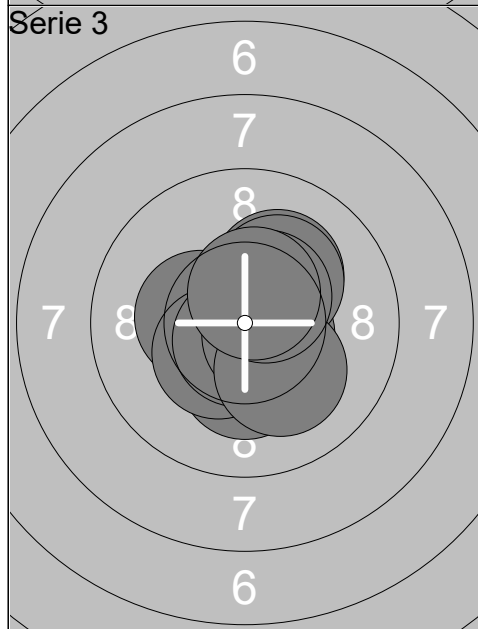
Relay	Lane	Victor Thomsen		
3	29	Day 1 Denmark Open Air	Viborg Skytte Forening	MJ
14.02.2020	Day 1 Denmark Open Air 2020	Denmark Open Air 2020		
Serie 1 	1: 10.3x ↗	Serie 2 	1: 10.4x ←	
	2: 10.3x ↑		2: 10.3x ←	
	3: 10.2x ↗		3: 10.1 →	
4: 9.3 ←	4: 9.7 ←	5: 10.3x ↙	5: 10.2x ←	
6: 9.5 ←	6: 10.9x ↓	7: 10.7x ↙	7: 10.5x ↓	
7: 10.7x ↙	8: 9.9 ←	8: 8.9 →	8: 9.9 ←	
9: 10.1 →	9: 10.3x ↗	9: 10.1 →	9: 10.3x ↗	
10: 10.1 ↖	10: 9.9 ↓	10: 10.1 ↖	10: 9.9 ↓	
Series 99.7	Series 102.2	99.7	201.9	
Serie 3 	1: 10.4x →	Serie 4 	1: 9.2 ↑	
	2: 9.0 →		2: 9.8 ←	
	3: 9.4 ↓		3: 10.1 →	
4: 9.8 ↑	4: 10.4x →	5: 10.0 ↑	5: 10.4x ↗	
6: 10.0 ↗	6: 10.0 ←	7: 10.0 ↘	7: 9.1 ←	
7: 10.0 ↘	8: 10.3x →	8: 10.1 ↗	8: 10.8x ↗	
9: 10.5x ←	9: 10.8x ↗	9: 10.5x ←	9: 10.8x ↗	
10: 10.7x ↙	10: 10.6x ←	10: 10.7x ↙	10: 10.6x ←	
Series 99.9	Series 100.7	301.8	402.5	
Serie 5 	1: 10.1 ↓	Serie 6 	1: 10.1 ↓	
	2: 10.4x ↙		2: 9.7 ↑	
	3: 10.3x ↙		3: 10.0 ←	
4: 9.4 ↖	4: 10.6x ↓	5: 10.7x ↓	5: 10.6x ↗	
6: 10.6x ↓	6: 9.9 ↗	7: 9.5 →	7: 9.1 ←	
7: 9.5 →	8: 10.0 →	8: 9.8 ↙	8: 10.0 →	
9: 10.3x ↘	9: 9.7 ←	9: 10.3x ↘	9: 9.7 ←	
10: 10.3x →	10: 9.9 ↓	10: 10.3x →	10: 9.9 ↓	
Series 101.4	Series 99.6	503.9	603.5	



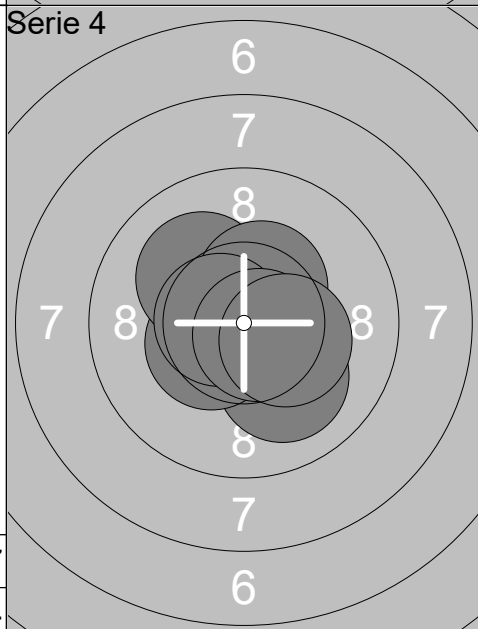
1:	10.8x ↑
2:	10.5x ↓
3:	10.7x →
4:	10.3x ↘
5:	9.8 ↓
6:	9.7 ↓
7:	10.4x ↓
8:	10.9x ↑
9:	10.7x ←
10:	10.5x →
Series	104.3
	104.3



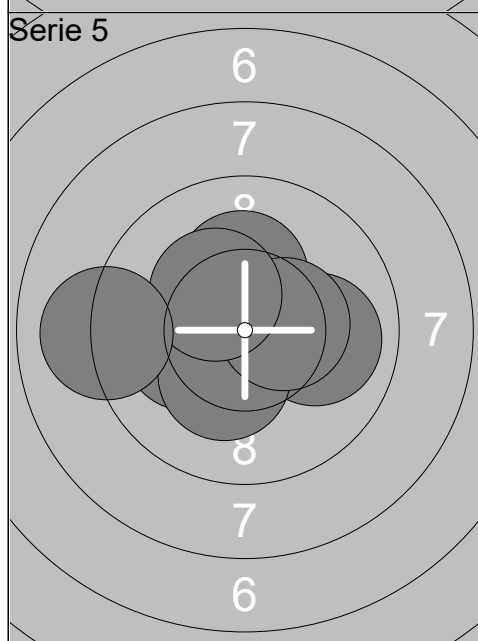
1:	9.6 ↖
2:	10.8x ↖
3:	10.6x ↖
4:	10.0 ←
5:	10.5x ↑
6:	10.6x ←
7:	10.6x ↙
8:	10.6x ↗
9:	10.5x ←
10:	10.6x ↗
Series	104.4
	208.7



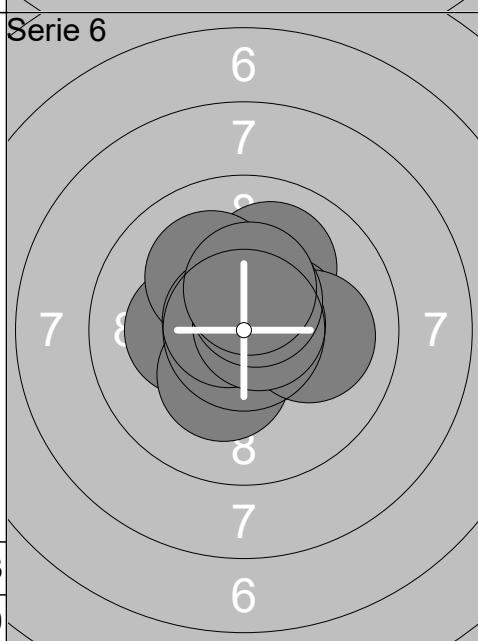
1:	10.3x ←
2:	10.2x ↓
3:	10.2x ↗
4:	10.4x ↙
5:	10.7x ↓
6:	10.6x →
7:	10.2x ↗
8:	10.1 ↓
9:	10.5x ↗
10:	10.5x ↑
Series	103.7
	312.4



1:	10.5x ↘
2:	10.7x ↗
3:	10.0 ↓
4:	10.6x ←
5:	10.4x ↙
6:	10.1 ↖
7:	10.4x ↑
8:	10.6x ←
9:	10.7x ↘
10:	10.3x →
Series	104.3
	416.7



1:	10.7x ↗
2:	10.7x →
3:	10.6x ↖
4:	10.0 →
5:	10.1 ←
6:	10.3x ↓
7:	10.2x ↑
8:	10.4x →
9:	10.3x ↖
10:	9.0 ←
Series	102.3
	519.0



1:	10.2x ←
2:	10.3x ↓
3:	10.0 ↑
4:	10.1 ↖
5:	10.7x ↖
6:	10.4x →
7:	10.1 →
8:	10.7x ↗
9:	10.5x ↑
10:	10.4x ↑
Series	103.4
	622.4