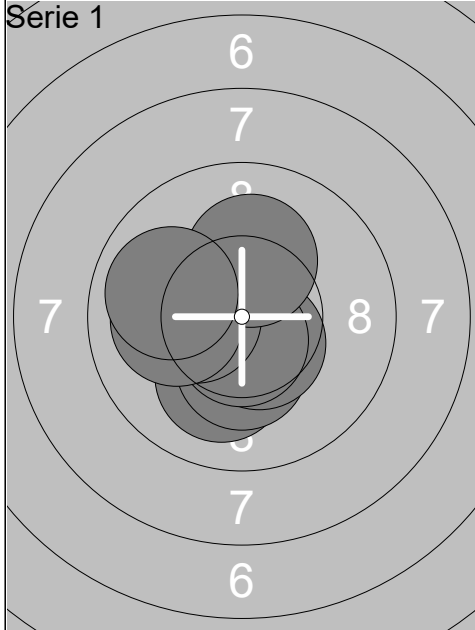
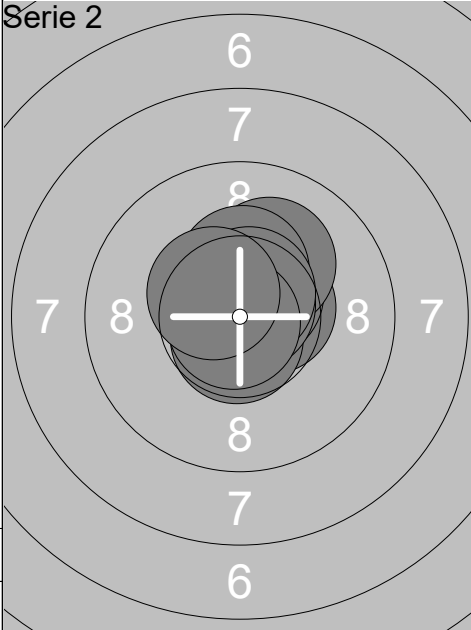


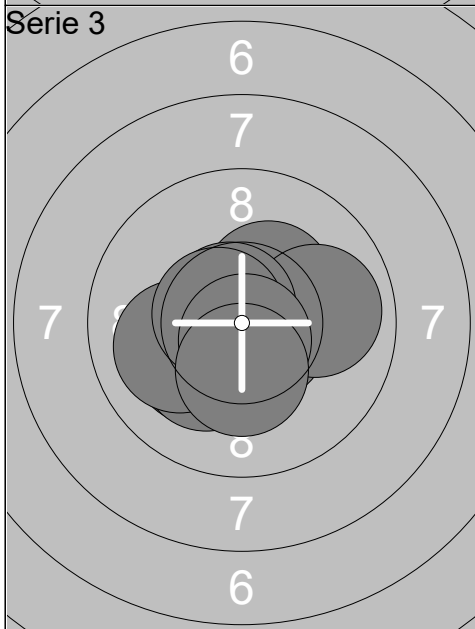
Relay	Lane	Alex Moberg		
Day 1 Denmark Open Air	8	Århus Riffelskytte Klub	M	
14.02.2020	Day 1 Denmark Open Air 2020	Denmark Open Air 2020		
Serie 1 	1: 10.3x ↖	Serie 2 	1: 10.8x ←	
	2: 10.5x →		2: 10.7x ↖	
	3: 10.6x →		3: 9.9 →	
	4: 10.2x →		4: 9.5 ←	
	5: 10.3x ↖		5: 9.3 ↙	
	6: 9.1 ←		6: 9.8 ←	
	7: 9.9 →		7: 10.7x ↖	
	8: 9.7 →		8: 10.1 ↓	
	9: 10.3x ↑		9: 10.5x ↙	
	10: 10.4x ←		10: 9.3 ↘	
	Series 101.3		Series 100.6	
	101.3		201.9	
Serie 3 	1: 10.4x ↘	Serie 4 	1: 10.7x ↘	
	2: 10.5x ↖		2: 9.9 ←	
	3: 9.6 →		3: 10.0 →	
	4: 9.4 ←		4: 10.7x ↑	
	5: 9.7 ↘		5: 10.6x →	
	6: 10.6x ↑		6: 10.6x ↗	
	7: 10.4x ↖		7: 9.4 →	
	8: 9.7 →		8: 10.2x →	
	9: 10.3x →		9: 10.3x ↙	
	10: 9.6 ←		10: 9.5 ←	
	Series 100.2		Series 101.9	
	302.1		404.0	
Serie 5 	1: 10.8x ↘	Serie 6 	1: 10.2x ↓	
	2: 10.4x ↑		2: 10.6x ↑	
	3: 10.2x →		3: 10.7x ↖	
	4: 10.5x ↙		4: 10.5x →	
	5: 9.9 ↘		5: 9.4 ←	
	6: 10.3x ↑		6: 10.4x ↗	
	7: 9.0 ←		7: 10.0 ↓	
	8: 10.4x →		8: 9.9 ↘	
	9: 10.3x →		9: 9.5 ←	
	10: 9.6 ←		10: 10.3x ↙	
	Series 101.4		Series 101.5	
	505.4		606.9	



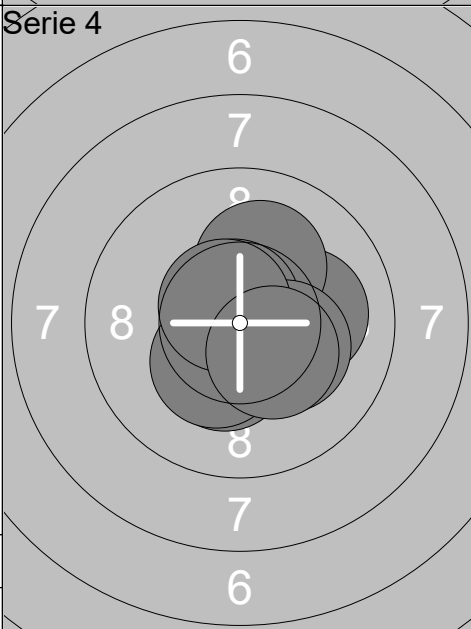
1:	10.1	↘
2:	10.5x	←
3:	10.3x	↓
4:	10.5x	↘
5:	10.1	←
6:	10.6x	↓
7:	10.3x	←
8:	10.2x	↑
9:	10.1	←
10:	9.9	←
Series	102.6	
	102.6	



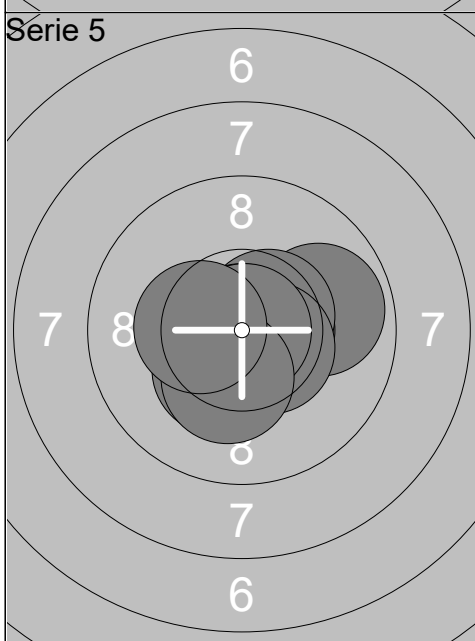
1:	10.5x	→
2:	10.5x	↗
3:	10.6x	↗
4:	10.7x	↓
5:	10.1	↗
6:	10.3x	↑
7:	10.7x	↗
8:	10.6x	↗
9:	10.8x	↙
10:	10.5x	↖
Series	105.3	
	207.9	



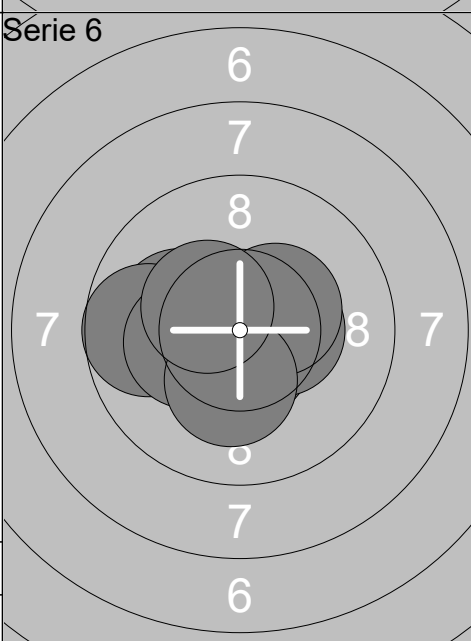
1:	10.6x	↘
2:	10.3x	↗
3:	9.9	→
4:	10.2x	↙
5:	10.7x	↖
6:	10.2x	↙
7:	10.0	←
8:	10.6x	←
9:	10.7x	↓
10:	10.3x	↓
Series	103.5	
	311.4	



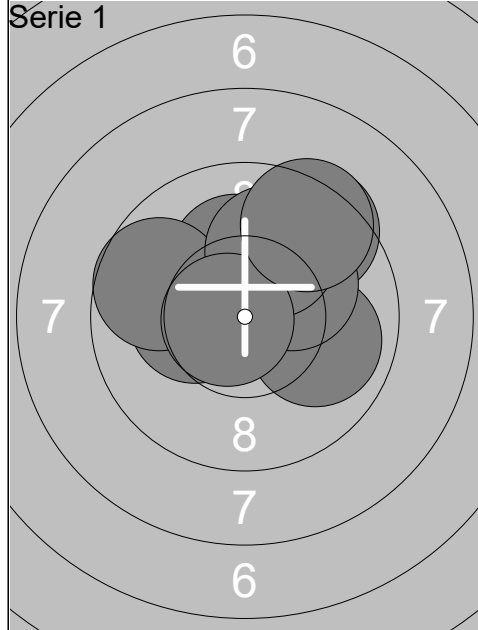
1:	10.4x	↓
2:	10.4x	↓
3:	10.1	→
4:	10.1	↑
5:	10.3x	↓
6:	10.3x	↓
7:	10.7x	↑
8:	10.3x	↘
9:	10.6x	↖
10:	10.3x	↘
Series	103.5	
	414.9	



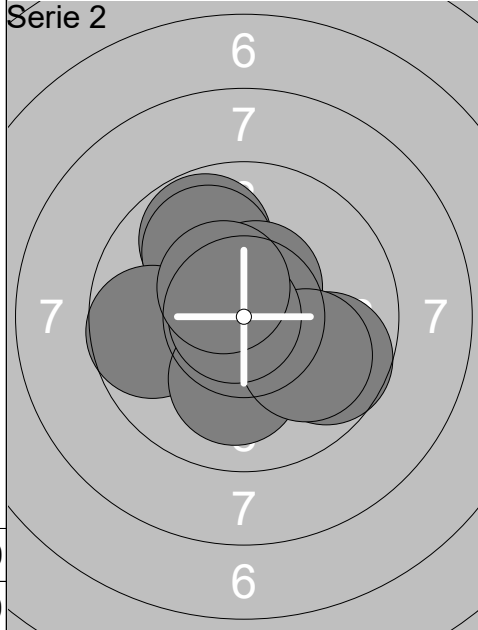
1:	10.4x	↙
2:	9.8	→
3:	10.6x	→
4:	10.5x	↗
5:	10.5x	↘
6:	10.9x	
7:	10.9x	→
8:	10.3x	↙
9:	10.2x	↓
10:	10.4x	←
Series	104.5	
	519.4	



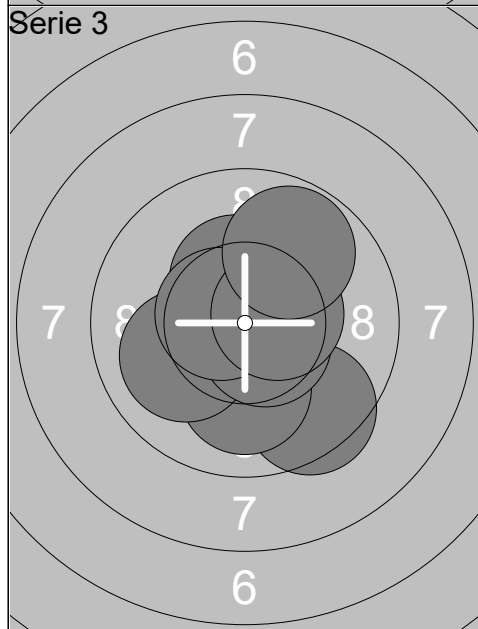
1:	10.6x	↓
2:	10.1	←
3:	9.7	←
4:	10.5x	↖
5:	10.5x	→
6:	10.2x	←
7:	10.4x	→
8:	10.4x	↗
9:	10.2x	↓
10:	10.4x	↖
Series	103.0	
	622.4	



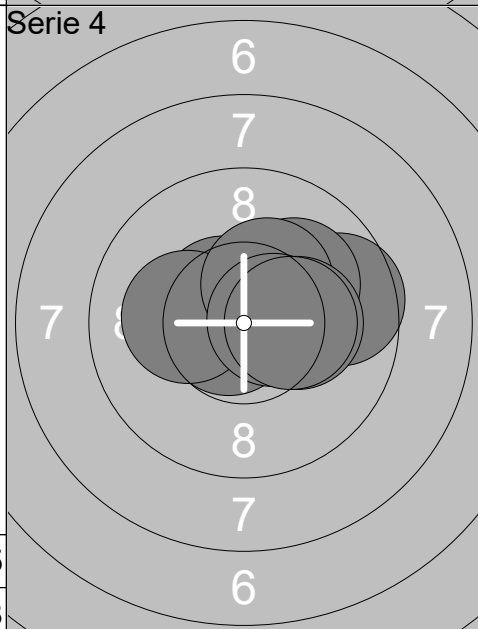
1:	10.2x ↗
2:	10.2x ↑
3:	9.5 ↗
4:	9.9 →
5:	10.2x ←
6:	10.2x ↗
7:	9.7 ←
8:	10.0 ↑
9:	10.7x ←
10:	9.4 ↗
Series	100.0
	100.0



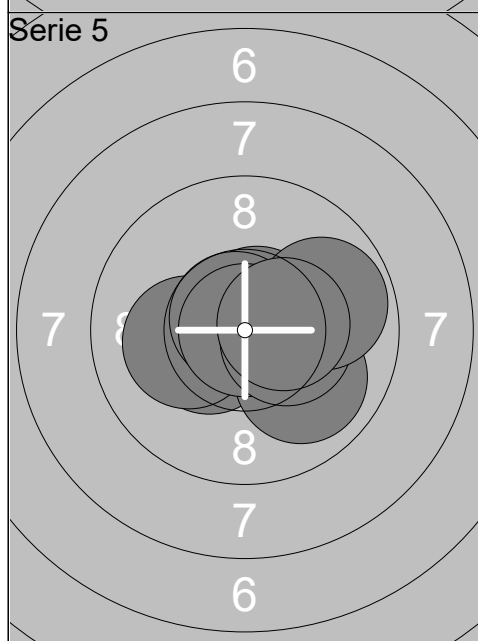
1:	9.8 ↖
2:	10.5x ↖
3:	9.9 ↖
4:	9.7 →
5:	9.7 ←
6:	10.5x ↗
7:	10.1 ↓
8:	9.9 →
9:	10.8x ←
10:	10.4x ↖
Series	101.3
	201.3



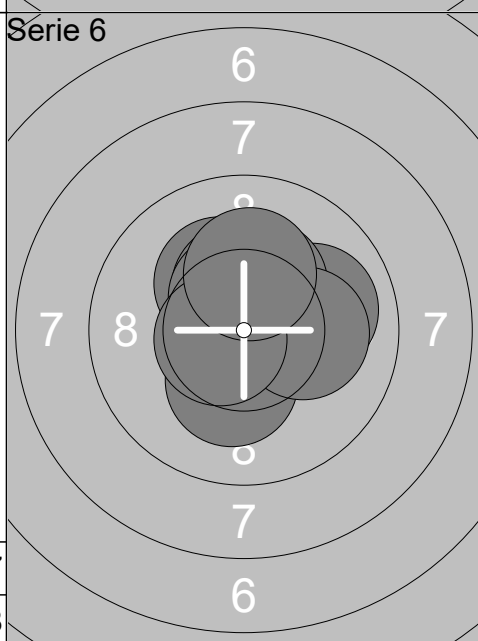
1:	9.5 ↘
2:	10.1 ↓
3:	10.6x ←
4:	10.0 ←
5:	10.4x ↑
6:	10.4x ↗
7:	10.6x ↘
8:	10.6x ←
9:	10.5x →
10:	9.8 ↗
Series	102.5
	303.8



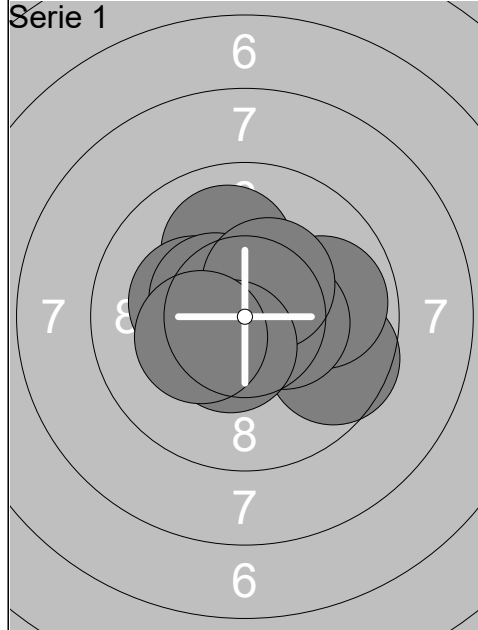
1:	10.5x ↖
2:	9.6 →
3:	10.1 ↗
4:	10.9x ↑
5:	10.7x ←
6:	10.2x ←
7:	10.3x ↗
8:	10.5x →
9:	10.2x →
10:	10.3x →
Series	103.3
	407.1



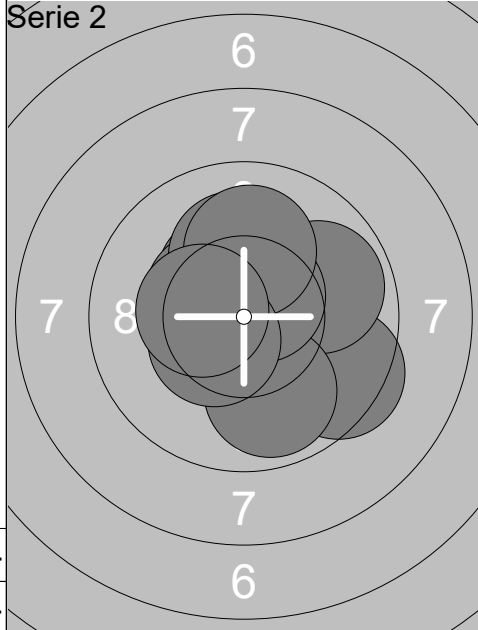
1:	10.4x ←
2:	10.1 ←
3:	10.6x ↗
4:	10.6x ↗
5:	9.9 ↘
6:	10.7x ↖
7:	10.9x
8:	10.3x →
9:	9.8 →
10:	10.4x →
Series	103.7
	510.8



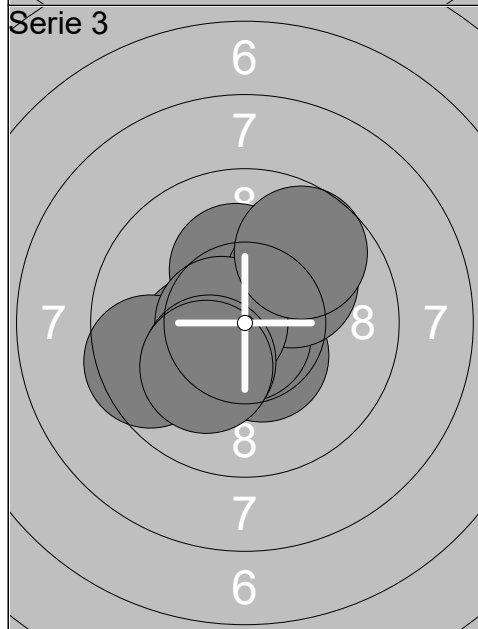
1:	10.0 →
2:	10.2x ↖
3:	10.2x ↓
4:	10.3x ↑
5:	10.5x ↑
6:	10.5x ↗
7:	10.3x ↗
8:	10.1 →
9:	10.6x ←
10:	10.2x ↑
Series	102.9
	613.7



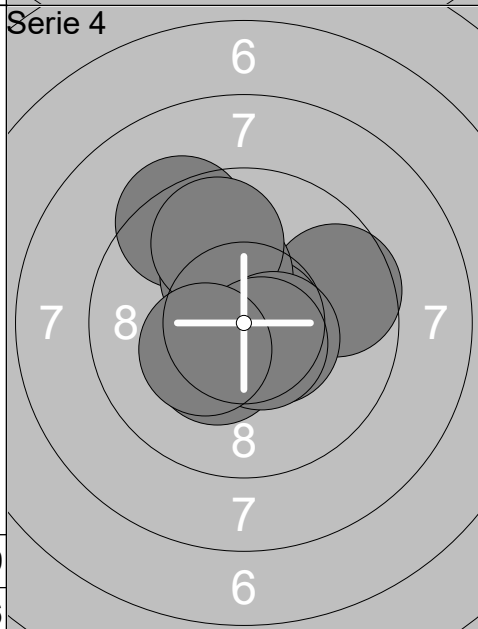
1:	10.0	↑
2:	9.6	➤
3:	10.6x	←
4:	9.9	➤
5:	10.2x	←
6:	10.5x	↖
7:	10.4x	➤
8:	10.4x	↗
9:	10.5x	↓
10:	10.3x	←
Series	102.4	
	102.4	



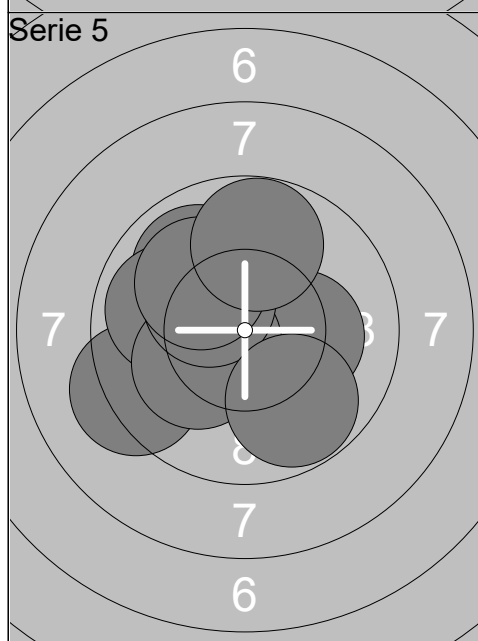
1:	9.4	➤
2:	9.8	➤
3:	10.3x	↖
4:	10.4x	↖
5:	9.8	↓
6:	10.6x	↗
7:	10.1	↑
8:	10.1	↑
9:	10.4x	↙
10:	10.4x	←
Series	101.3	
	203.7	



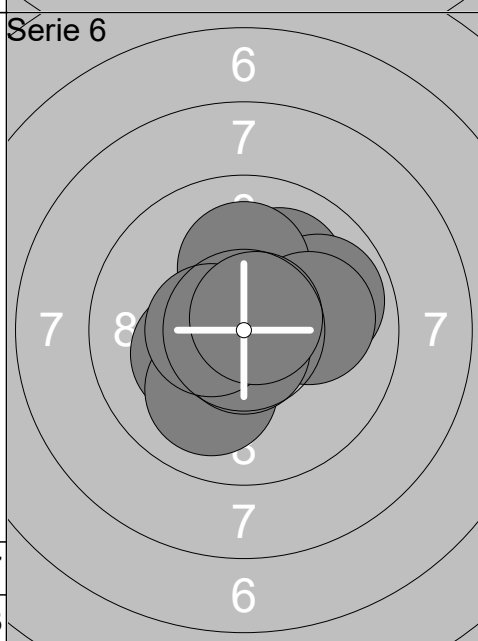
1:	10.4x	↓
2:	10.8x	↓
3:	10.3x	←
4:	10.2x	↑
5:	9.5	←
6:	10.1	↗
7:	10.6x	←
8:	9.7	↗
9:	10.2x	↙
10:	10.1	↙
Series	101.9	
	305.6	



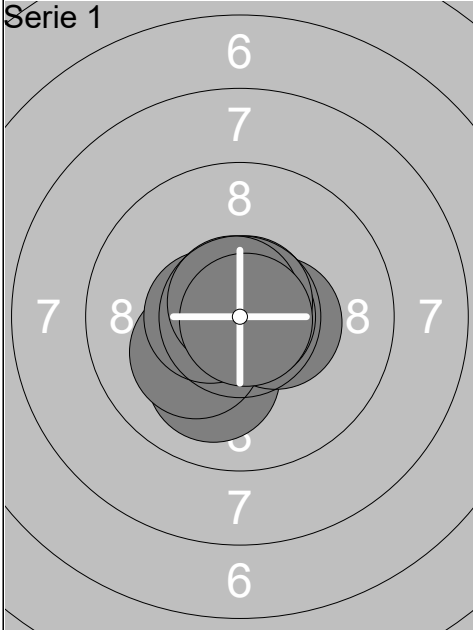
1:	10.7x	↓
2:	10.3x	↙
3:	9.3	↖
4:	9.6	➤
5:	10.7x	➤
6:	10.2x	↑
7:	9.8	↑
8:	10.5x	➤
9:	10.6x	↓
10:	10.3x	←
Series	102.0	
	407.6	



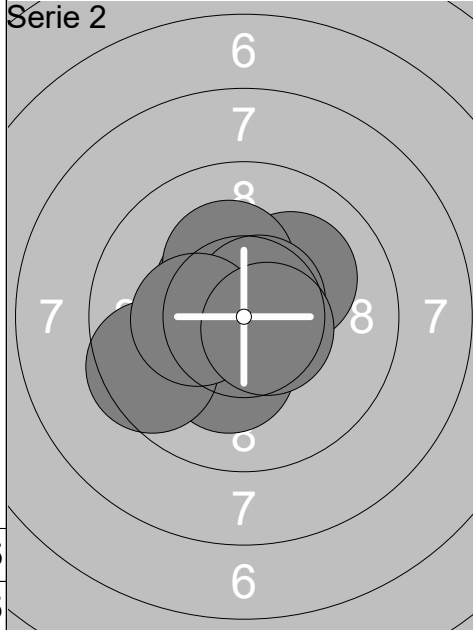
1:	10.2x	➤
2:	9.9	↖
3:	10.5x	←
4:	9.2	←
5:	9.9	←
6:	10.1	←
7:	10.3x	↖
8:	10.0	↖
9:	9.8	↓
10:	9.8	↑
Series	99.7	
	507.3	



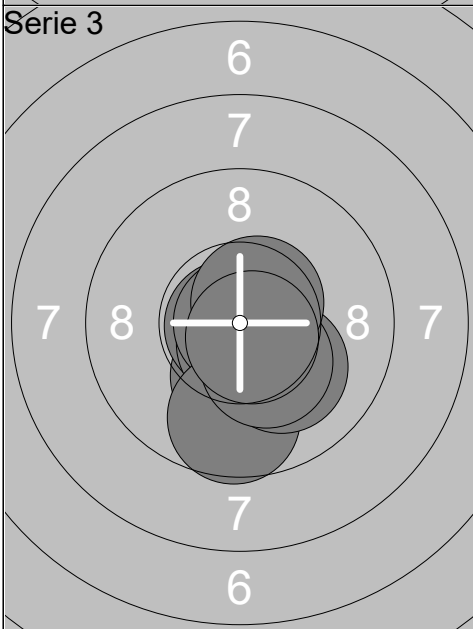
1:	10.0	↗
2:	9.8	➤
3:	10.1	↑
4:	10.2x	←
5:	10.0	↓
6:	10.9x	↖
7:	10.0	➤
8:	10.7x	↓
9:	10.5x	←
10:	10.7x	↗
Series	102.9	
	610.2	



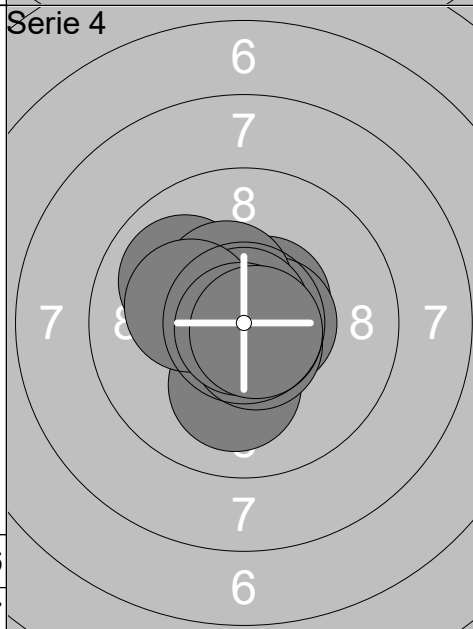
1:	10.7x ↓
2:	10.1 ↓
3:	10.7x ←
4:	10.4x →
5:	10.8x →
6:	10.1 ↙
7:	10.7x ↗
8:	10.5x ←
9:	10.7x ↗
10:	10.8x →
Series	105.5
	105.5



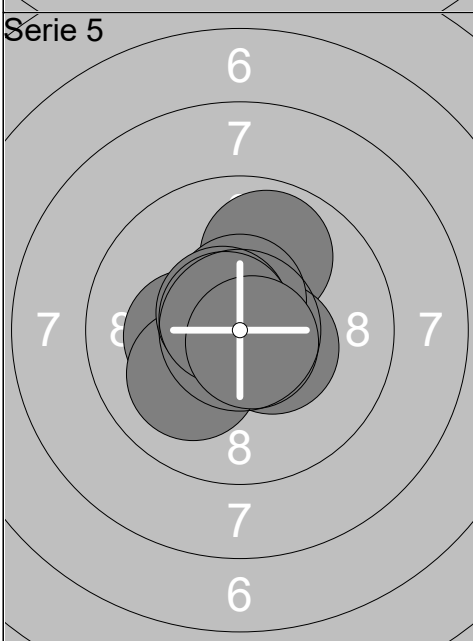
1:	10.5x ↖
2:	10.9x
3:	10.1 ↗
4:	10.2x ↑
5:	10.7x →
6:	10.2x ↓
7:	10.6x ↗
8:	9.5 ↙
9:	10.3x ←
10:	10.6x →
Series	103.6
	209.1



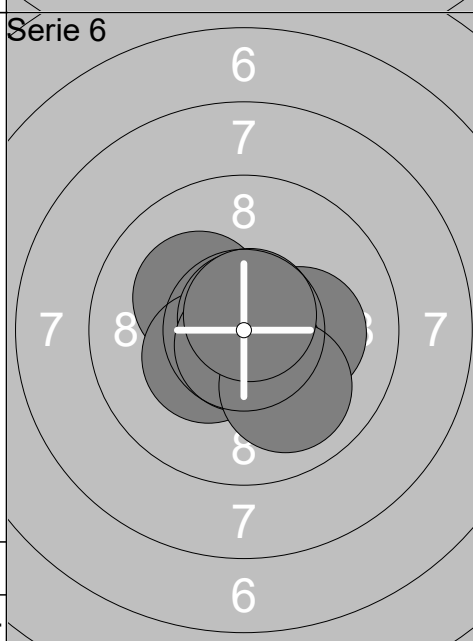
1:	10.2x ↓
2:	10.8x ←
3:	10.8x ↗
4:	10.6x ↓
5:	10.9x
6:	9.6 ↓
7:	10.1 ↓
8:	10.3x ↓
9:	10.6x ↗
10:	10.7x ↓
Series	104.6
	313.7



1:	10.5x ↗
2:	10.1 ↓
3:	10.0 ↖
4:	10.6x →
5:	10.4x ↗
6:	10.8x ↑
7:	10.1 ←
8:	10.6x ↓
9:	10.8x ↓
10:	10.7x →
Series	104.6
	418.3



1:	10.3x ←
2:	10.7x ↓
3:	10.3x ←
4:	9.9 ↑
5:	10.4x →
6:	10.5x ↑
7:	10.0 ↙
8:	10.6x ↖
9:	10.7x ↖
10:	10.7x ↓
Series	104.1
	522.4



1:	10.4x ↓
2:	10.2x →
3:	10.8x ↓
4:	10.2x ↖
5:	10.5x ↓
6:	10.3x ↙
7:	10.8x ↑
8:	10.7x ↓
9:	10.0 ↓
10:	10.7x ↗
Series	104.6
	627.0

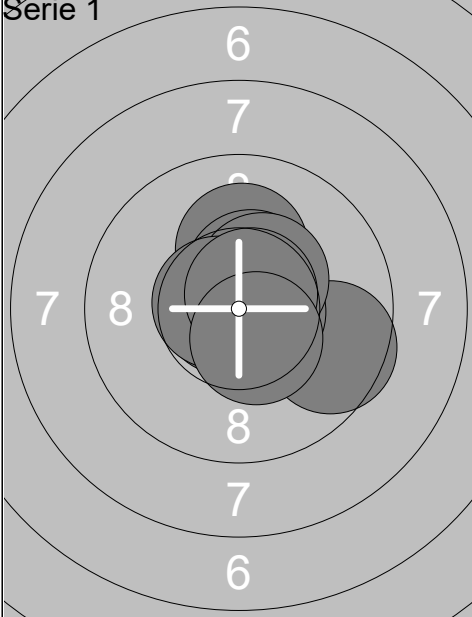
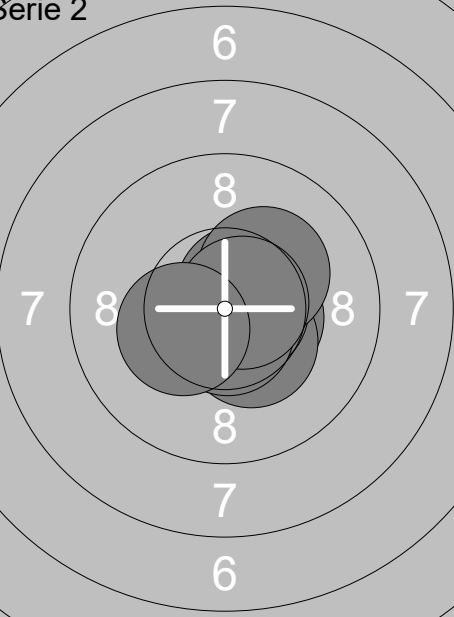
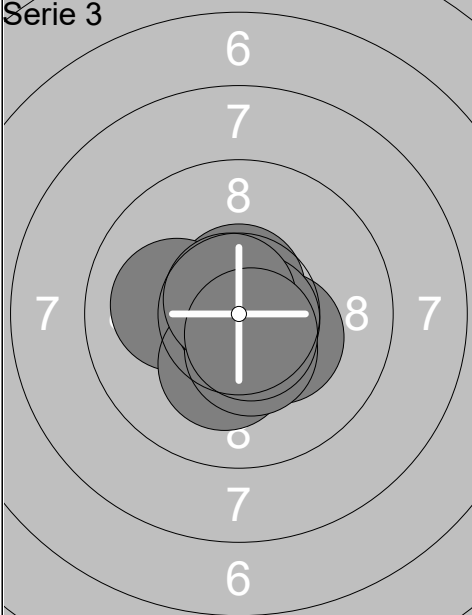
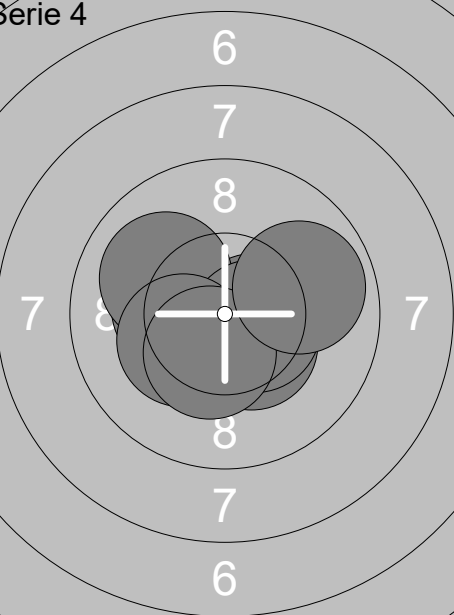
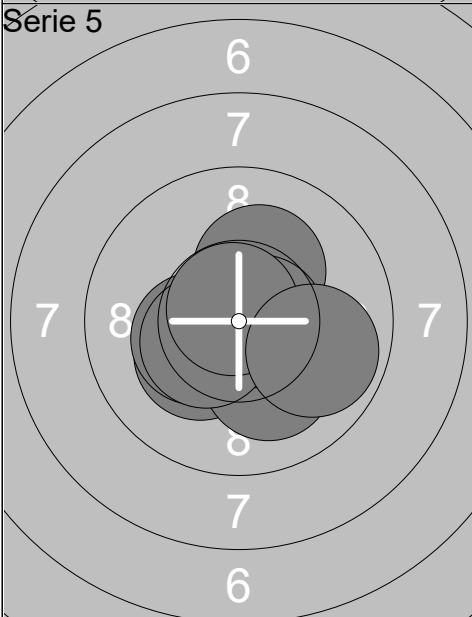
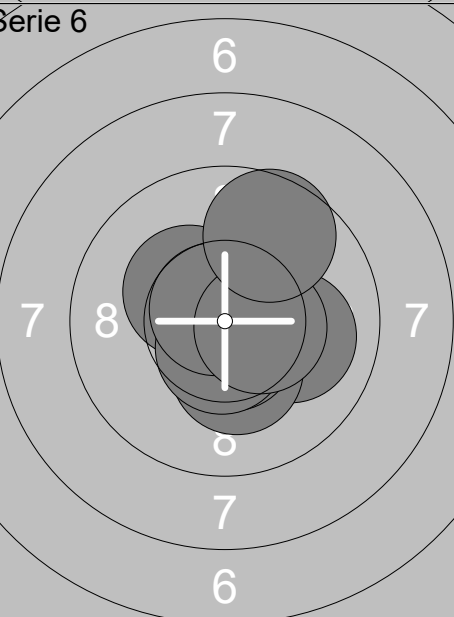
Relay	Lane	Esben Jakobsen	
Day 1 Denmark Open Air	Sørslev Skytteforening	M	
14.02.2020	Day 1 Denmark Open Air 2020	Denmark Open Air 2020	
Serie 1	1: 9.8 ↖ 2: 10.8x ↗ 3: 10.8x ↘ 4: 10.5x ↘ 5: 10.5x ↗ 6: 10.3x ↘ 7: 10.1 ← 8: 10.5x ↘ 9: 10.6x ↖ 10: 10.8x ↗ Series 104.7 104.7	Serie 2	1: 10.6x ↖ 2: 10.6x ↗ 3: 10.6x ↓ 4: 10.1 ← 5: 10.6x → 6: 10.4x ↗ 7: 10.8x → 8: 10.5x → 9: 9.8 ↑ 10: 10.7x ↘ Series 104.7 209.4
Serie 3	1: 10.8x → 2: 10.8x ↑ 3: 10.4x ↗ 4: 10.8x ↘ 5: 10.1 ← 6: 10.4x ↗ 7: 10.6x ↖ 8: 10.0 ← 9: 10.4x ← 10: 10.1 ← Series 104.4 313.8	Serie 4	1: 10.3x ↗ 2: 10.3x ↖ 3: 10.7x ↑ 4: 10.6x ↓ 5: 10.6x ↘ 6: 10.2x ↗ 7: 10.4x ↘ 8: 10.3x ↖ 9: 10.2x ↘ 10: 10.8x ↖ Series 104.4 418.2
Serie 5	1: 10.4x ↘ 2: 10.8x ↘ 3: 10.6x ↓ 4: 10.5x ↓ 5: 10.2x ↑ 6: 10.7x ↖ 7: 10.5x ↗ 8: 10.4x ↘ 9: 10.3x ← 10: 10.6x ↖ Series 105.0 523.2	Serie 6	1: 10.6x ↖ 2: 10.1 ↑ 3: 10.5x → 4: 10.1 ↗ 5: 9.6 → 6: 10.4x ↘ 7: 10.8x ↘ 8: 9.6 → 9: 10.2x ↖ 10: 10.3x ↗ Series 102.2 625.4

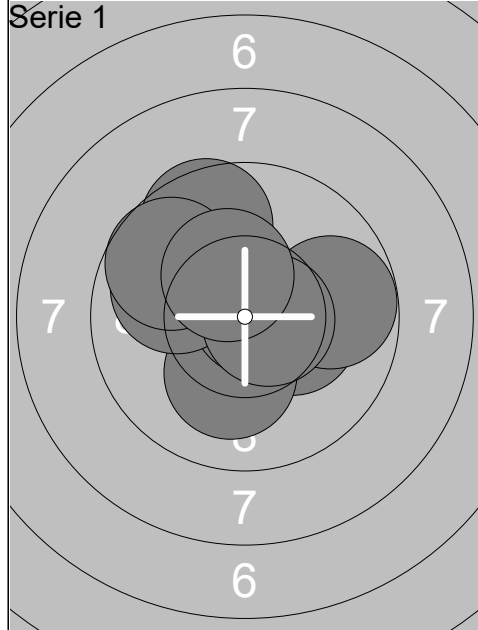
Relay	Lane	Mahyar Sedaghat		
1	14	Day 1 Denmark Open Air	Iran Shooting Federation	M
14.02.2020	Day 1 Denmark Open Air 2020	Denmark Open Air 2020		
Serie 1 	1: 10.5x ↗	Serie 2 	1: 10.4x ↗	
	2: 10.4x →		2: 10.3x ↖	
	3: 10.4x ↗		3: 10.9x →	
	4: 10.2x ←		4: 10.5x ↖	
	5: 10.4x →		5: 10.9x ↗	
	6: 10.7x ↗		6: 10.4x ↗	
	7: 10.2x ↗		7: 10.1 →	
	8: 10.8x ←		8: 10.6x ↓	
	9: 10.4x ↗		9: 10.3x ↓	
	10: 10.8x ↖		10: 10.2x ↓	
	Series 104.8		Series 104.6	
	104.8		209.4	
Serie 3 	1: 10.6x ↓	Serie 4 	1: 10.3x ↗	
	2: 10.4x ↗		2: 10.0 ←	
	3: 10.2x ↗		3: 10.6x ↘	
	4: 10.1 ↗		4: 10.4x ↗	
	5: 10.1 →		5: 10.7x ↖	
	6: 10.7x ↓		6: 10.5x ↖	
	7: 10.4x ↘		7: 10.6x ↗	
	8: 10.5x ↗		8: 10.7x ↗	
	9: 10.5x ↖		9: 10.5x ↗	
	10: 10.4x ↗		10: 10.4x →	
	Series 103.9		Series 104.7	
	313.3		418.0	
Serie 5 	1: 10.3x →	Serie 6 	1: 10.4x ↘	
	2: 10.6x →		2: 10.1 ↘	
	3: 10.2x ↗		3: 10.5x ↓	
	4: 10.6x ↗		4: 10.5x ←	
	5: 10.1 ←		5: 10.2x ←	
	6: 10.4x ↗		6: 10.3x ←	
	7: 10.5x ←		7: 10.5x ←	
	8: 10.7x ↗		8: 10.7x ↘	
	9: 10.7x ←		9: 10.3x ↗	
	10: 10.0 ↗		10: 10.8x ↗	
	Series 104.1		Series 104.3	
	522.1		626.4	

Relay	Lane	Patrick Jepsen		
Day 1 Denmark Open Air	Viborg Skytte Forening	M		
14.02.2020	Day 1 Denmark Open Air 2020	Denmark Open Air 2020		
Serie 1 	1: 10.1 ←	Serie 2 	1: 10.1 ↘	
	2: 9.5 ↗		2: 10.2x ↘	
	3: 10.0 →		3: 10.4x →	
	4: 8.7 ←		4: 10.5x ↘	
	5: 10.1 ↗		5: 9.4 →	
	6: 9.7 ↗		6: 10.1 ↓	
	7: 10.2x ↙		7: 9.9 ↑	
	8: 10.3x →		8: 9.9 ↗	
	9: 9.9 ↓		9: 9.8 ↘	
	10: 10.0 ↓		10: 8.9 →	
	Series 98.5		Series 99.2	
	98.5		197.7	
Serie 3 	1: 10.2x ←	Serie 4 	1: 10.7x →	
	2: 10.3x ↖		2: 10.4x ↗	
	3: 10.8x ←		3: 10.1 →	
	4: 10.6x ↑		4: 10.1 →	
	5: 10.2x ↘		5: 10.6x ←	
	6: 10.0 ←		6: 10.7x ↖	
	7: 10.4x ↘		7: 10.1 ←	
	8: 9.6 →		8: 9.9 ↗	
	9: 9.9 →		9: 10.3x ↗	
	10: 9.4 ↘		10: 9.8 ↗	
	Series 101.4		Series 102.7	
	299.1		401.8	
Serie 5 	1: 10.5x →	Serie 6 	1: 10.0 ↑	
	2: 10.1 ↗		2: 10.8x →	
	3: 10.1 ↓		3: 10.4x ↗	
	4: 10.2x ↓		4: 10.3x ↘	
	5: 10.0 ←		5: 9.7 ↓	
	6: 10.5x ↘		6: 9.1 →	
	7: 9.7 ↘		7: 10.0 ↑	
	8: 9.9 ↘		8: 9.6 ←	
	9: 9.6 ↑		9: 8.9 →	
	10: 9.2 ↘		10: 10.3x ↑	
	Series 99.8		Series 99.1	
	501.6		600.7	

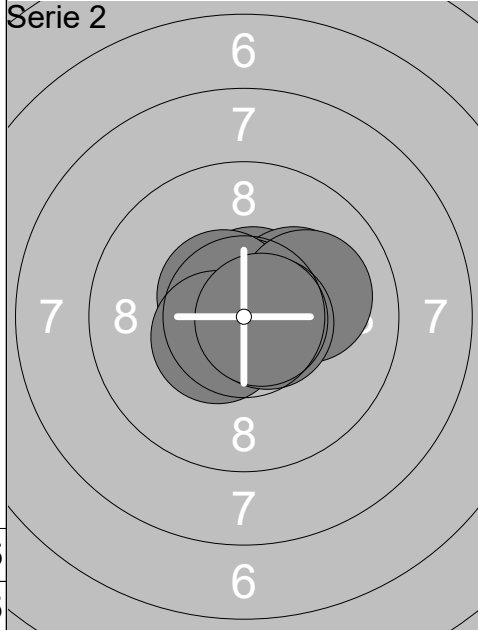
Relay	Lane	Cristian Friman		
1	17	Day 1 Denmark Open Air	Esbo Skytteförening 1904	M
14.02.2020	Day 1 Denmark Open Air 2020	Denmark Open Air 2020		
Serie 1 	1: 10.5x ←	Serie 2 	1: 10.7x ↓	
	2: 10.5x ←		2: 10.7x ←	
	3: 10.4x ↑		3: 10.9x ↗	
	4: 10.5x →		4: 10.6x ↗	
	5: 10.4x ←		5: 10.1 →	
	6: 10.9x ←		6: 10.2x ↗	
	7: 10.8x ↗		7: 10.7x ↓	
	8: 10.3x ↓		8: 10.8x ↓	
	9: 10.5x ↑		9: 10.3x ↓	
	10: 10.4x ↗		10: 10.9x ←	
	Series 105.2		Series 105.9	
	105.2		211.1	
Serie 3 	1: 9.7 ←	Serie 4 	1: 10.6x ←	
	2: 10.2x →		2: 10.3x ↗	
	3: 10.6x ↗		3: 9.9 →	
	4: 10.0 ↑		4: 10.7x ←	
	5: 10.7x ↓		5: 10.1 ↓	
	6: 10.0 →		6: 9.8 ←	
	7: 10.6x →		7: 9.7 ↓	
	8: 10.1 ↓		8: 10.0 ←	
	9: 10.5x ←		9: 10.4x ↓	
	10: 10.8x ↑		10: 10.6x →	
	Series 103.2		Series 102.1	
	314.3		416.4	
Serie 5 	1: 10.3x ↓	Serie 6 	1: 10.6x ↘	
	2: 10.3x →		2: 10.0 ←	
	3: 10.2x →		3: 10.5x →	
	4: 9.4 ↓		4: 10.2x ↗	
	5: 10.5x ←		5: 10.8x ←	
	6: 9.8 ↓		6: 10.7x ↓	
	7: 10.6x ←		7: 10.2x →	
	8: 10.6x ↗		8: 10.2x →	
	9: 10.6x ↗		9: 10.2x ↘	
	10: 10.2x ↘		10: 9.6 ←	
	Series 102.5		Series 103.0	
	518.9		621.9	

Relay	Lane	Alexander Helleskov		
1	19	Trehøje Skytteforening		M
14.02.2020	Day 1 Denmark Open Air 2020	Denmark Open Air 2020		
Serie 1 	1: 10.0 ←	Serie 2 	1: 10.7x ↗	
	2: 10.4x ➤		2: 10.4x ↖	
	3: 10.1 ←		3: 9.3 →	
4: 8.9 ➤	4: 10.2x ➤	5: 10.1 ←	5: 10.1 ←	
5: 10.5x ➤	6: 10.3x ↙	6: 10.3x ↙	6: 10.3x ↙	
6: 10.6x ↖	7: 10.4x ←	7: 10.4x ←	7: 10.4x ←	
7: 10.1 →	8: 9.9 ←	8: 9.9 ←	8: 9.9 ←	
8: 10.7x ➤	9: 10.0 ↑	9: 10.0 ↑	9: 10.0 ↑	
9: 9.9 ↓	10: 10.7x ↗	10: 10.7x ↗	10: 10.7x ↗	
10: 9.9 ↗				
Series 101.1	Series 102.0			
101.1	203.1			
Serie 3 	1: 10.3x ↗	Serie 4 	1: 10.3x ↓	
	2: 9.9 ↗		2: 9.9 ↓	
	3: 10.7x ↗		3: 10.4x ↑	
4: 9.9 ↙	4: 9.4 ←	5: 10.0 →	5: 10.0 →	
5: 10.4x ↑	6: 10.5x ↗	6: 10.5x ↗	6: 10.5x ↗	
6: 9.0 ➤	7: 10.3x ↓	7: 10.3x ↓	7: 10.3x ↓	
7: 10.6x ↓	8: 10.3x ↗	8: 10.3x ↗	8: 10.3x ↗	
8: 10.0 ↖	9: 9.8 ↗	9: 9.8 ↗	9: 9.8 ↗	
9: 10.1 →	10: 10.4x ↙	10: 10.4x ↙	10: 10.4x ↙	
10: 10.6x ↑				
Series 101.5	Series 101.3			
304.6	405.9			
Serie 5 	1: 10.9x ↓	Serie 6 	1: 10.5x ↗	
	2: 9.5 ↓		2: 9.6 ➤	
	3: 10.6x ↗		3: 9.8 ↗	
4: 9.8 ←	4: 9.9 ↓	5: 9.7 ←	5: 9.7 ←	
5: 10.2x ↖	6: 10.0 ↖	6: 10.0 ↖	6: 10.0 ↖	
6: 10.5x ↙	7: 9.5 ↑	7: 9.5 ↑	7: 9.5 ↑	
7: 10.0 ↑	8: 10.5x ↓	8: 10.5x ↓	8: 10.5x ↓	
8: 10.8x ↑	9: 10.8x ↑	9: 10.8x ↑	9: 10.8x ↑	
9: 10.0 →	10: 10.1 ↓	10: 10.1 ↓	10: 10.1 ↓	
10: 10.7x ➤				
Series 103.0	Series 100.4			
508.9	609.3			

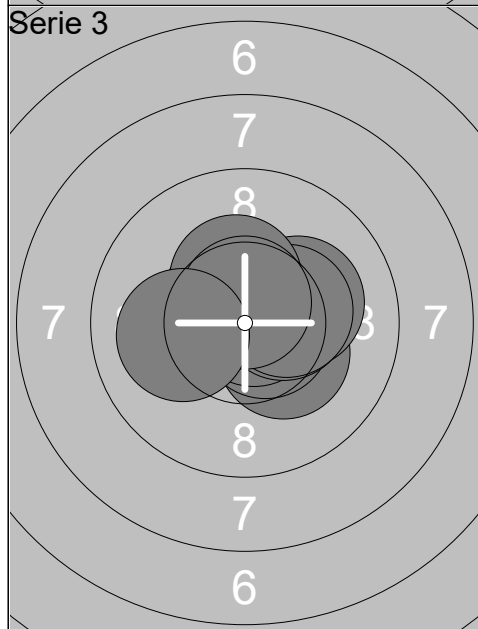
Relay	Lane	Participant		
1	20	Marcus Madsen		
Day 1 Denmark Open Air		Aleholm skytteförening		M
14.02.2020		Day 1 Denmark Open Air 2020		Denmark Open Air 2020
Serie 1				1: 10.1 ↑ 2: 10.7x ↗ 3: 9.6 → 4: 10.7x → 5: 10.4x ↗ 6: 10.4x ↗ 7: 10.8x ← 8: 10.6x ← 9: 10.7x ↗ 10: 10.5x ↓ Series 104.5 104.5
Serie 2				1: 10.5x → 2: 10.4x ↓ 3: 10.3x ↓ 4: 10.7x → 5: 10.9x ↓ 6: 10.6x ↗ 7: 10.6x ↓ 8: 10.2x ↗ 9: 10.7x → 10: 10.3x ← Series 105.2 209.7
Serie 3				1: 10.6x ↑ 2: 10.1 ← 3: 10.9x → 4: 10.3x ↘ 5: 10.2x ↓ 6: 10.9x ↓ 7: 10.4x ↓ 8: 10.7x → 9: 10.7x ↗ 10: 10.6x ↓ Series 105.4 315.1
Serie 4				1: 10.4x ↓ 2: 10.7x ↓ 3: 10.6x ↓ 4: 10.3x ← 5: 10.5x → 6: 10.0 ↖ 7: 10.5x → 8: 10.3x ← 9: 10.4x ↓ 10: 9.9 → Series 103.6 418.7
Serie 5				1: 10.6x ↗ 2: 10.3x ↖ 3: 10.2x ↗ 4: 10.7x → 5: 10.1 ↓ 6: 10.3x ← 7: 10.7x → 8: 10.4x ↖ 9: 10.8x ↗ 10: 9.8 → Series 103.9 522.6
Serie 6				1: 10.0 → 2: 10.3x ↖ 3: 10.6x → 4: 10.3x ↓ 5: 10.6x ↗ 6: 10.6x ↓ 7: 10.6x ↓ 8: 10.7x ↖ 9: 10.4x → 10: 9.6 ↗ Series 103.7 626.3



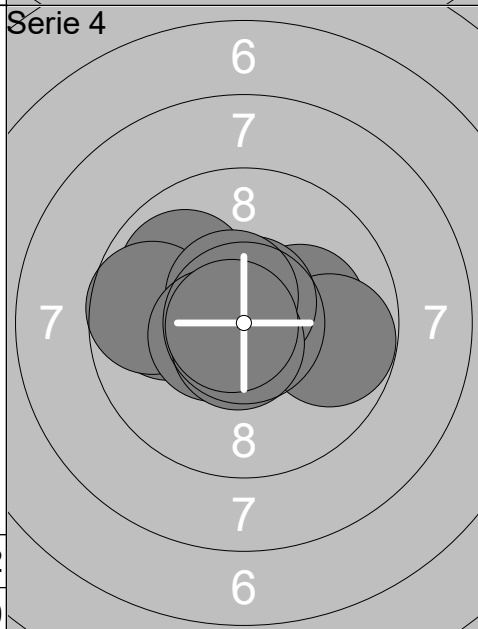
1:	10.5x ←
2:	10.3x →
3:	10.1 ↓
4:	10.7x ↗
5:	9.9 ←
6:	9.8 →
7:	9.6 ↗
8:	9.7 ↖
9:	10.6x →
10:	10.3x ↗
Series	101.5
	101.5



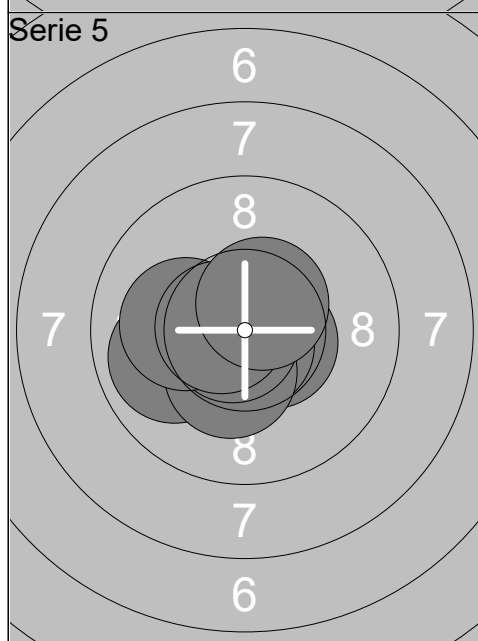
1:	10.8x ←
2:	10.6x ↗
3:	10.6x ↗
4:	10.2x →
5:	10.8x ↑
6:	10.5x ↖
7:	10.0 →
8:	10.5x ↙
9:	10.6x →
10:	10.7x →
Series	105.3
	206.8



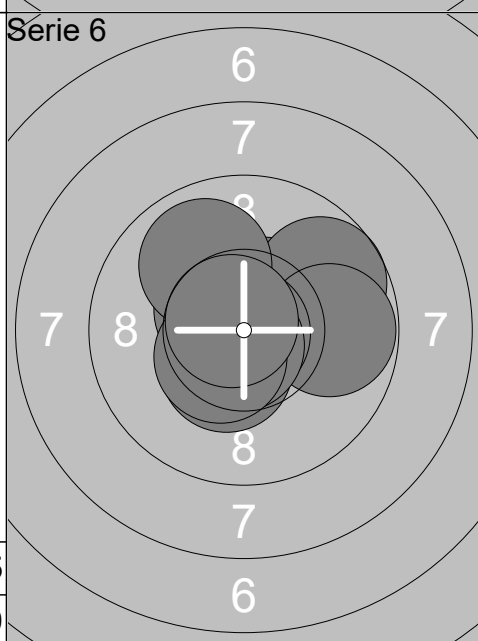
1:	10.6x ↖
2:	10.3x ↘
3:	10.6x →
4:	10.8x →
5:	10.2x →
6:	10.4x →
7:	10.3x →
8:	10.3x ↑
9:	10.6x ↑
10:	10.1 ←
Series	104.2
	311.0



1:	10.2x →
2:	9.7 →
3:	9.9 ←
4:	10.6x ↑
5:	9.9 ↖
6:	9.7 ←
7:	10.5x ↗
8:	10.5x ↙
9:	10.6x ↓
10:	10.8x ←
Series	102.4
	413.4

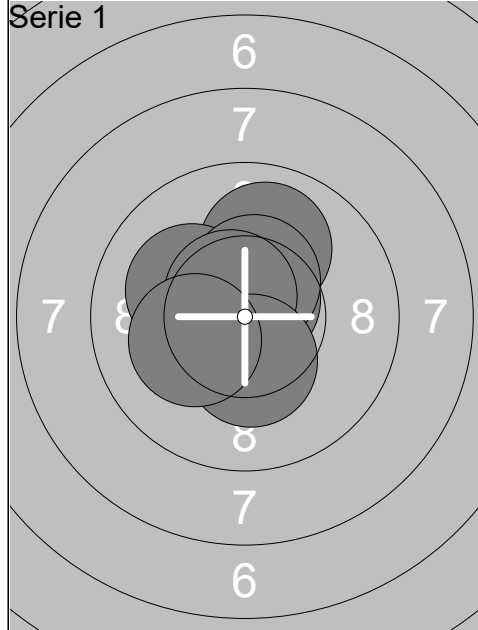


1:	10.5x ↓
2:	9.9 ←
3:	10.5x →
4:	10.7x ↓
5:	10.7x ↓
6:	10.3x ↓
7:	10.7x ↙
8:	10.1 ←
9:	10.6x ←
10:	10.5x ↗
Series	104.5
	517.9

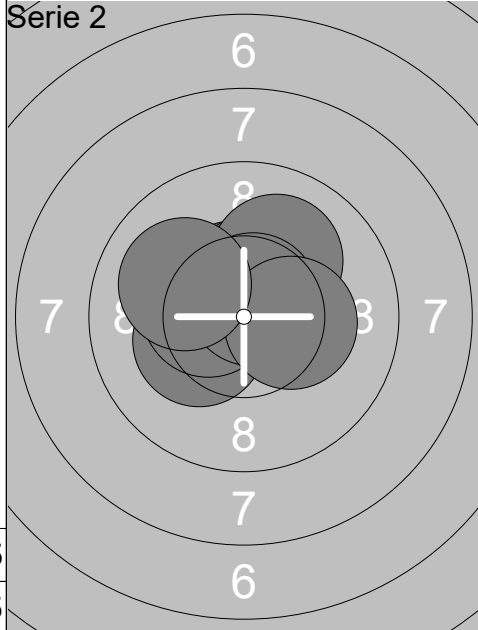


1:	10.5x ↖
2:	10.5x ↗
3:	9.7 ↗
4:	9.8 →
5:	9.9 ↖
6:	10.4x ↓
7:	10.9x ↓
8:	10.7x ↓
9:	10.4x ↙
10:	10.7x ↖
Series	103.5
	621.4

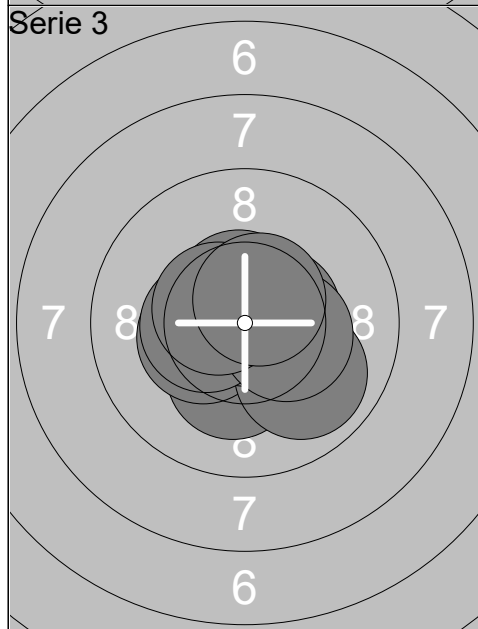
Relay	Lane	Anders Hansen		
1	23	Day 1 Denmark Open Air	Aalborg Skyttekreds	M
14.02.2020	Day 1 Denmark Open Air 2020	Denmark Open Air 2020		
Serie 1 	1: 10.6x ←	Serie 2 	1: 9.5 →	
	2: 10.5x ↓		2: 10.3x ↑	
	3: 10.3x ↘		3: 10.3x ←	
4: 10.9x ↙	4: 9.9 ↓	5: 10.5x ↙	4: 10.1 ↑	
5: 9.7 ↗	6: 10.1 ↑	6: 10.1 ↑	7: 9.5 →	
6: 9.7 ←	7: 9.5 →	7: 9.5 →	8: 8.3 ←	
7: 9.9 →	8: 8.3 ←	8: 8.3 ←	9: 10.3x ↓	
8: 9.8 ↓	9: 10.3x ↓	9: 10.3x ↓	10: 10.3x ←	
9: 9.3 ↖	10: 10.3x ←	10: 10.3x ←		
10: 10.7x ↙				
Series 101.4	Series 99.0			
101.4	200.4			
Serie 3 	1: 10.5x ↘	Serie 4 	1: 10.3x ↓	
	2: 9.9 ←		2: 9.7 →	
	3: 10.4x ↗		3: 10.1 ←	
4: 10.3x ←	4: 9.6 ↖	5: 10.2x ←	6: 8.6 ↗	
5: 10.2x →	5: 10.2x ←	6: 8.6 ↗	7: 10.1 ↑	
6: 9.5 ↗	7: 10.1 ←	7: 10.1 ↑	8: 9.6 ↖	
7: 10.1 ←	8: 10.0 ←	8: 9.6 ↖	9: 9.2 ↗	
8: 10.0 ←	9: 10.2x →	9: 9.2 ↗	10: 10.7x →	
9: 10.2x →	10: 8.8 →	10: 10.7x →		
10: 8.8 →				
Series 99.9	Series 98.1			
300.3	398.4			
Serie 5 	1: 9.2 →	Serie 6 	1: 10.3x ←	
	2: 10.7x ↓		2: 10.5x ↓	
	3: 10.6x ↓		3: 10.9x ←	
4: 10.1 ←	4: 9.2 ←	5: 9.3 ↖	6: 8.8 ↗	
5: 10.2x ←	5: 9.3 ↖	6: 8.8 ↗	7: 10.8x ↑	
6: 9.6 ↗	6: 8.8 ↗	7: 10.8x ↑	8: 9.6 ←	
7: 10.2x ↗	7: 10.8x ↑	8: 9.6 ←	9: 9.7 ↖	
8: 9.6 ↑	8: 9.6 ←	9: 9.7 ↖	10: 10.2x ↑	
9: 10.1 ↖	9: 9.7 ↖	10: 10.2x ↑		
10: 10.4x ↗				
Series 100.7	Series 99.3			
499.1	598.4			



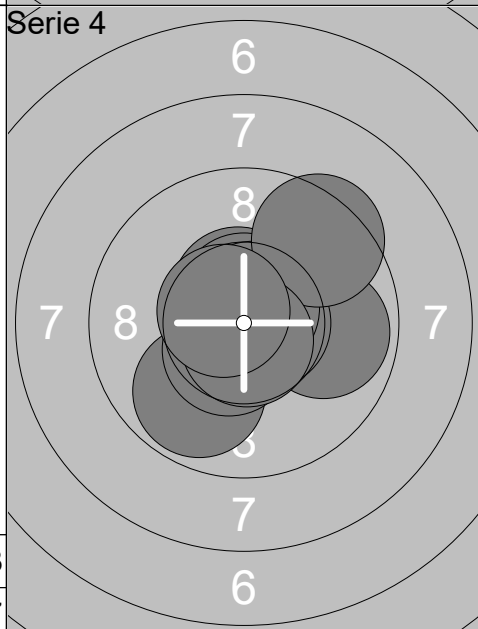
1:	10.0	↑
2:	10.8x	↑
3:	10.8x	↓
4:	10.1	↖
5:	10.6x	↓
6:	10.6x	↗
7:	10.5x	↑
8:	10.6x	↖
9:	10.3x	↓
10:	10.2x	↖
Series	104.5	
	104.5	



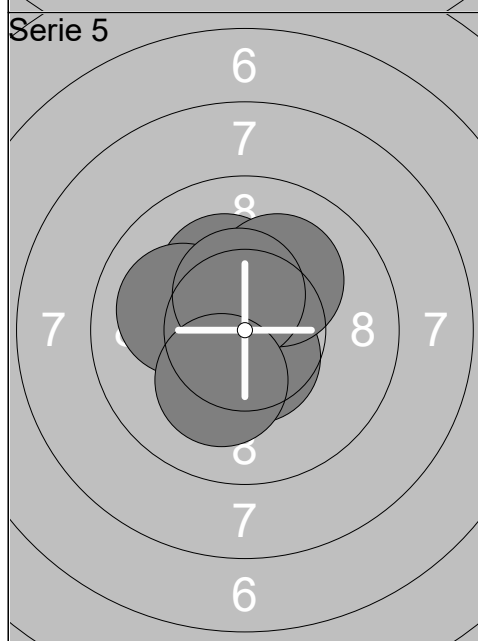
1:	10.5x	↑
2:	10.7x	↗
3:	10.2x	↖
4:	10.5x	↖
5:	10.4x	↑
6:	10.5x	↖
7:	10.1	↗
8:	10.7x	↗
9:	10.3x	→
10:	10.0	↖
Series	103.9	
	208.4	



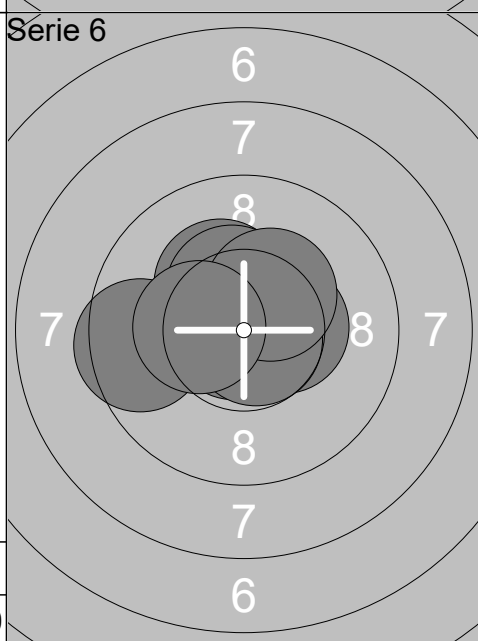
1:	10.2x	↓
2:	10.3x	↖
3:	10.6x	↑
4:	10.5x	→
5:	9.9	↘
6:	10.9x	↗
7:	10.4x	↖
8:	10.4x	→
9:	10.5x	↖
10:	10.6x	↗
Series	104.3	
	312.7	



1:	9.8	↘
2:	10.5x	↑
3:	9.8	→
4:	10.6x	→
5:	10.5x	↓
6:	10.6x	↑
7:	10.7x	↗
8:	9.4	↗
9:	10.7x	↓
10:	10.6x	↖
Series	103.2	
	415.9	

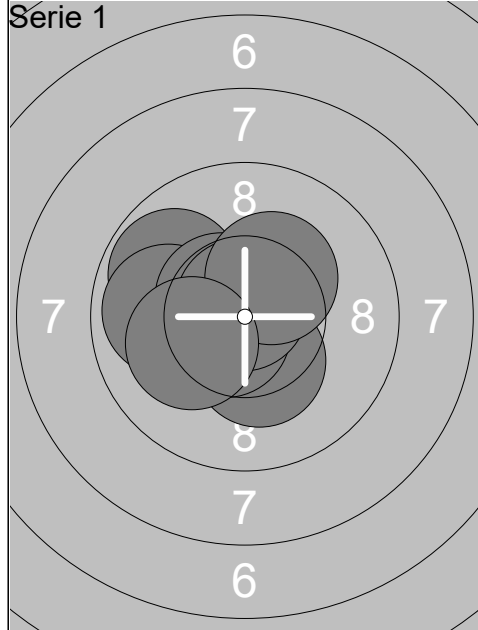


1:	10.7x	↖
2:	10.7x	↖
3:	10.6x	↑
4:	10.6x	↑
5:	10.2x	↖
6:	10.1	↖
7:	10.5x	↓
8:	10.1	↗
9:	10.4x	↑
10:	10.2x	↓
Series	104.1	
	520.0	

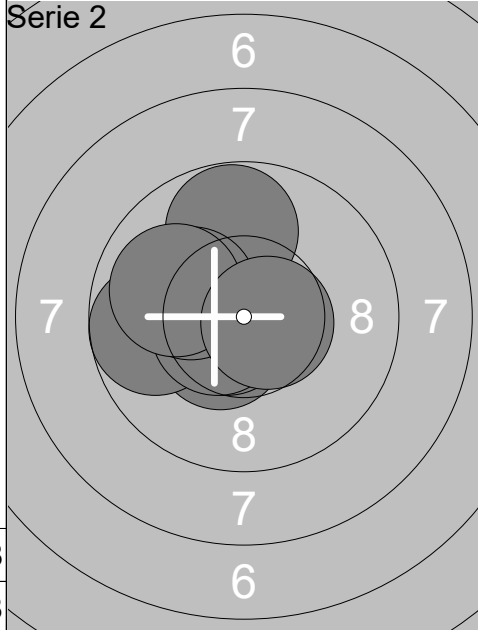


1:	10.5x	↗
2:	10.5x	↗
3:	9.5	←
4:	10.3x	↖
5:	10.4x	→
6:	10.4x	↑
7:	10.8x	↖
8:	10.7x	↘
9:	10.3x	↗
10:	10.3x	↖
Series	103.7	
	623.7	

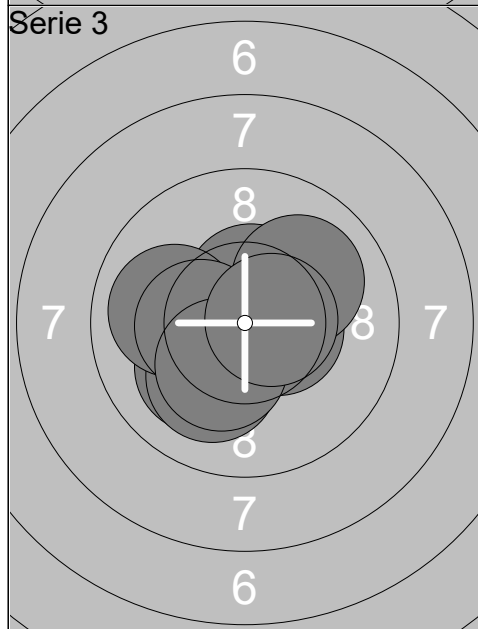
Relay	Lane	Jan Winther		
1	27			
Day 1 Denmark Open Air		Vejele HIVO		
14.02.2020		Day 1 Denmark Open Air 2020	Denmark Open Air 2020	
Serie 1 		1: 10.6x ↘ 2: 10.0 ← 3: 10.2x ← 4: 9.7 ↗ 5: 9.9 → 6: 10.1 ↖ 7: 10.5x ↘ 8: 9.8 ↖ 9: 10.2x ↑ 10: 9.4 → Series 100.4 100.4	Serie 2 	1: 10.5x ← 2: 10.3x ← 3: 10.2x ↘ 4: 10.6x → 5: 10.0 ← 6: 10.7x ← 7: 10.8x ↘ 8: 10.3x ↘ 9: 10.3x ↘ 10: 10.9x ↖ Series 104.6 205.0
Serie 3 		1: 10.2x ← 2: 10.0 → 3: 10.1 ← 4: 10.7x ↘ 5: 10.6x ↖ 6: 10.4x ↘ 7: 9.3 ← 8: 10.5x → 9: 10.4x ↘ 10: 10.1 ← Series 102.3 307.3	Serie 4 	1: 10.2x ← 2: 10.4x ↘ 3: 9.4 → 4: 10.3x ↘ 5: 10.0 ↗ 6: 10.2x ↘ 7: 10.3x ← 8: 10.7x ← 9: 10.2x ↑ 10: 9.6 → Series 101.3 408.6
Serie 5 		1: 10.8x ↑ 2: 10.4x ↖ 3: 10.8x ↗ 4: 10.5x ↗ 5: 10.7x → 6: 10.3x ← 7: 10.6x ↑ 8: 10.3x ↗ 9: 10.0 ↗ 10: 10.5x ↗ Series 104.9 513.5	Serie 6 	1: 10.1 ↗ 2: 9.8 → 3: 10.4x ↖ 4: 10.7x ↘ 5: 10.7x → 6: 10.8x ← 7: 10.4x ← 8: 10.3x → 9: 10.7x → 10: 9.9 ← Series 103.8 617.3



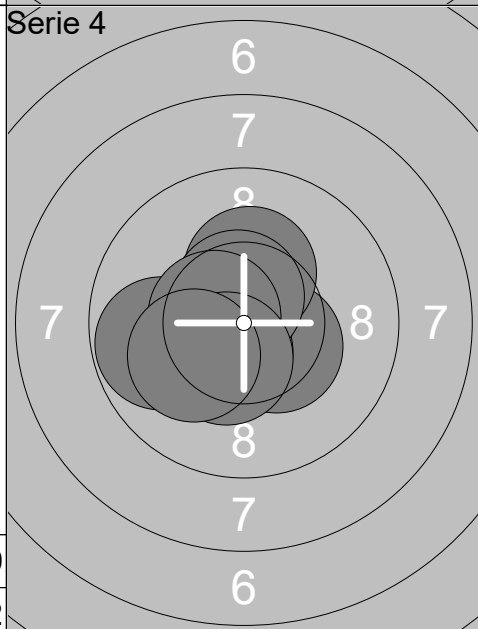
1:	10.7x ↗
2:	9.8 ↖
3:	9.9 ←
4:	10.8x ↓
5:	10.3x ↓
6:	10.5x ↖
7:	10.6x ↙
8:	10.8x ↑
9:	10.3x ↗
10:	10.1 ←
Series	103.8
	103.8



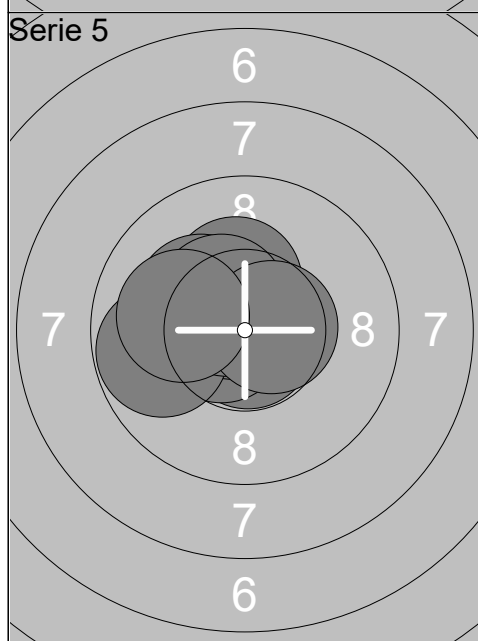
1:	10.2x ↖
2:	9.7 ↑
3:	10.7x ↙
4:	10.4x ↙
5:	10.6x ↙
6:	9.7 ←
7:	10.5x ↙
8:	10.1 ↖
9:	10.0 ↖
10:	10.6x →
Series	102.5
	206.3



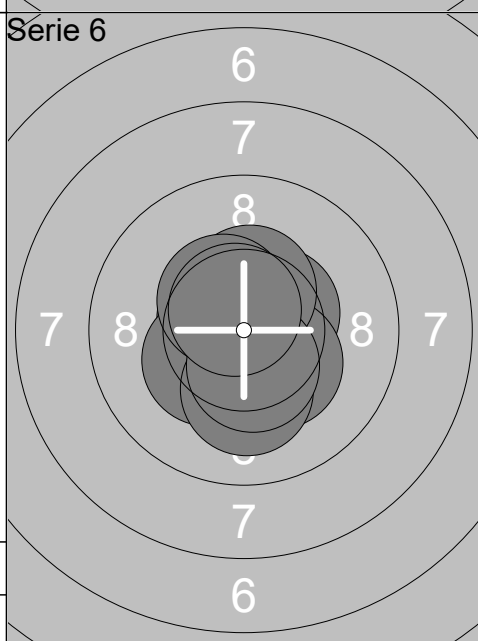
1:	10.1 ↙
2:	10.5x →
3:	10.5x ↑
4:	10.5x ↙
5:	10.0 ↗
6:	10.1 ↓
7:	10.0 ←
8:	10.3x ←
9:	10.3x ↓
10:	10.6x →
Series	102.9
	309.2



1:	9.8 ←
2:	10.4x ↘
3:	10.6x ↙
4:	10.7x ↖
5:	10.5x ↙
6:	10.2x ↑
7:	10.6x ↑
8:	10.5x ←
9:	10.4x ↙
10:	10.1 ↙
Series	103.8
	413.0



1:	10.3x ↑
2:	10.8x ↓
3:	10.6x ←
4:	10.7x ↗
5:	10.2x ↖
6:	9.8 ←
7:	10.6x ↗
8:	10.4x ↗
9:	10.6x →
10:	10.1 ←
Series	104.1
	517.1



1:	10.6x ↖
2:	10.3x ↙
3:	10.7x ↘
4:	10.5x ↗
5:	10.3x ↘
6:	10.4x ↑
7:	10.4x ↗
8:	10.1 ↓
9:	10.4x ↓
10:	10.6x ↗
Series	104.3
	621.4

Relay	Lane	Mikkel Damholt		
1	29	Trehøje Skytteforening		M
Day 1 Denmark Open Air		Day 1 Denmark Open Air 2020		Denmark Open Air 2020
14.02.2020				
Serie 1 	1: 10.6x ↘	Serie 2 	1: 10.4x ↘	
	2: 10.6x ↗		2: 9.9 ↖	
	3: 10.1 →		3: 9.7 ↑	
	4: 9.9 ↙		4: 10.3x ↑	
	5: 9.9 ↓		5: 10.9x ↑	
	6: 10.2x ↘		6: 10.6x ↙	
	7: 10.5x →		7: 10.4x ↑	
	8: 10.1 ↖		8: 10.4x →	
	9: 10.3x ↗		9: 9.6 ↖	
	10: 10.2x ↘		10: 9.9 ↘	
	Series 102.4		Series 102.1	
	102.4		204.5	
Serie 3 	1: 10.1 ↖	Serie 4 	1: 10.0 ↘	
	2: 10.8x ↗		2: 10.8x ↑	
	3: 10.2x ↗		3: 9.8 ↖	
	4: 9.7 ↖		4: 10.0 ↓	
	5: 10.7x ↗		5: 10.0 ↖	
	6: 10.3x ↑		6: 9.8 ↗	
	7: 10.1 ↖		7: 10.6x ↘	
	8: 10.1 ↘		8: 10.3x →	
	9: 10.1 ↘		9: 10.4x ↘	
	10: 9.8 ↖		10: 9.6 ↑	
	Series 101.9		Series 101.3	
	306.4		407.7	
Serie 5 	1: 9.1 ↖	Serie 6 	1: 10.6x ↖	
	2: 10.2x ↗		2: 10.6x ↖	
	3: 10.2x ↖		3: 10.3x ↑	
	4: 10.0 ↓		4: 9.8 ↖	
	5: 10.4x ↘		5: 10.4x ↖	
	6: 10.8x ↗		6: 10.5x ↗	
	7: 10.4x ↖		7: 10.5x ↗	
	8: 10.0 ↖		8: 10.8x ↖	
	9: 10.4x →		9: 10.5x ↘	
	10: 10.3x ↘		10: 10.3x ↘	
	Series 101.8		Series 104.3	
	509.5		613.8	