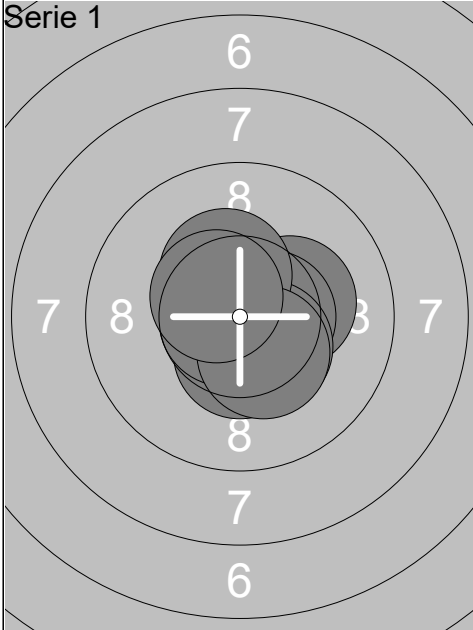


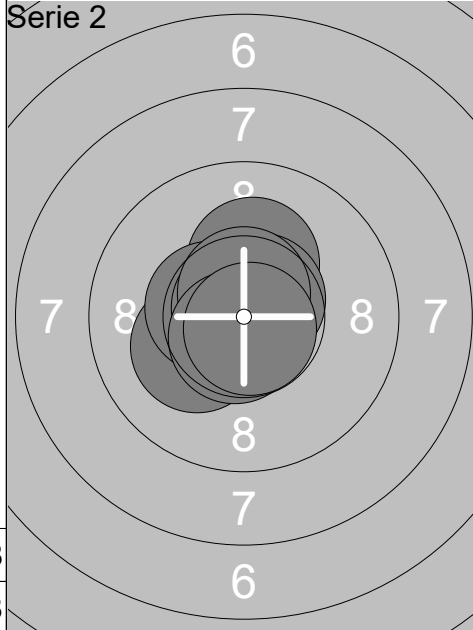
Relay 2	Lane 15	Qian Xiu Adele Tan	
-------------------	-------------------	---------------------------	--

Day 1 Denmark Open Air	Singapore Shooting Association	W	
------------------------	--------------------------------	---	--

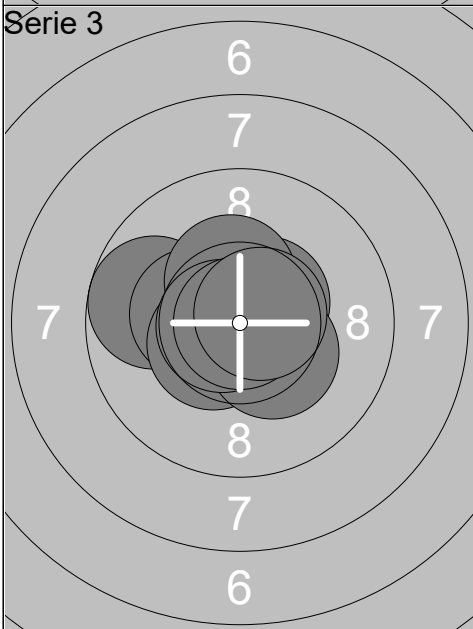
14.02.2020	Day 1 Denmark Open Air 2020	Denmark Open Air 2020
------------	-----------------------------	-----------------------



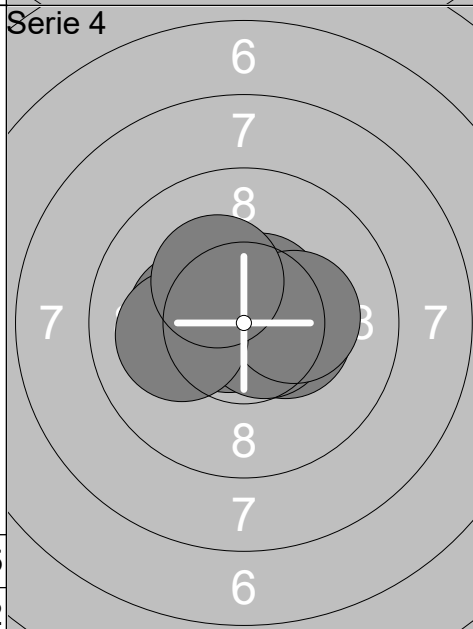
1:	10.6x ↖
2:	10.2x →
3:	10.5x →
4:	10.7x ↘
5:	10.4x ↘
6:	10.5x ↓
7:	10.7x ←
8:	10.3x ↑
9:	10.4x ↘
10:	10.5x ↖
Series	104.8
	104.8



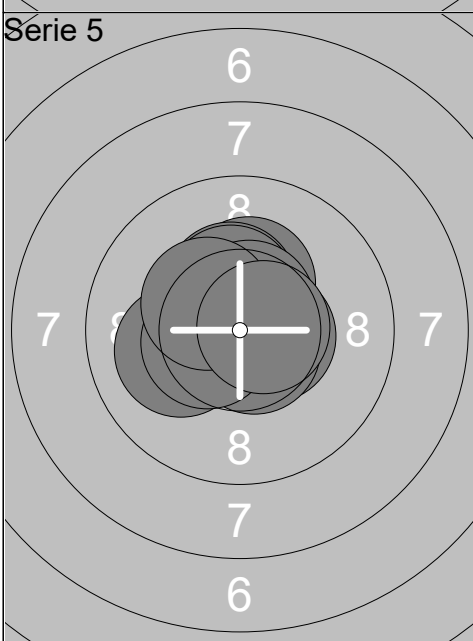
1:	10.2x ↙
2:	10.9x →
3:	10.2x ↑
4:	10.6x ↗
5:	10.7x ←
6:	10.5x ←
7:	10.8x ↖
8:	10.6x ↑
9:	10.6x ↘
10:	10.8x ↘
Series	105.9
	210.7



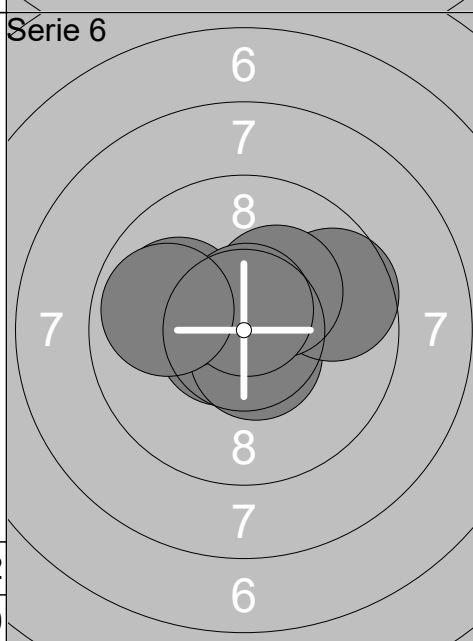
1:	9.7 ←
2:	10.3x ←
3:	10.5x ↗
4:	10.4x ↑
5:	10.5x ↙
6:	10.6x →
7:	10.3x ↘
8:	10.7x ←
9:	10.9x
10:	10.6x →
Series	104.5
	315.2



1:	10.6x ↑
2:	10.9x
3:	10.2x ←
4:	10.4x →
5:	10.6x ↗
6:	10.7x ←
7:	10.6x →
8:	10.3x →
9:	10.1 ←
10:	10.2x ↖
Series	104.6
	419.8

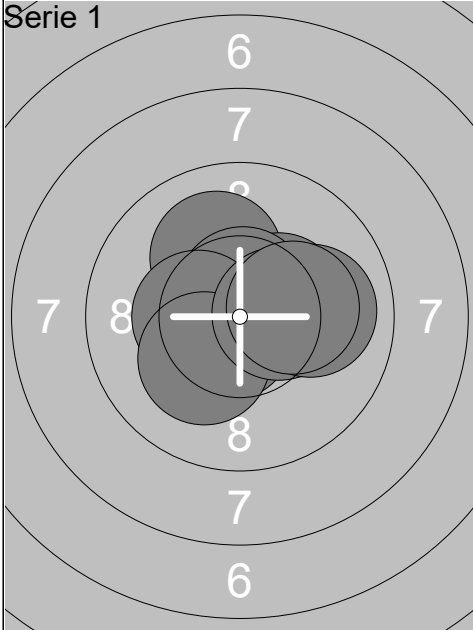


1:	10.3x ↑
2:	10.3x ↑
3:	10.4x ↑
4:	10.1 ←
5:	10.5x →
6:	10.6x ↘
7:	10.4x ←
8:	10.6x ↑
9:	10.4x ↖
10:	10.6x →
Series	104.2
	524.0

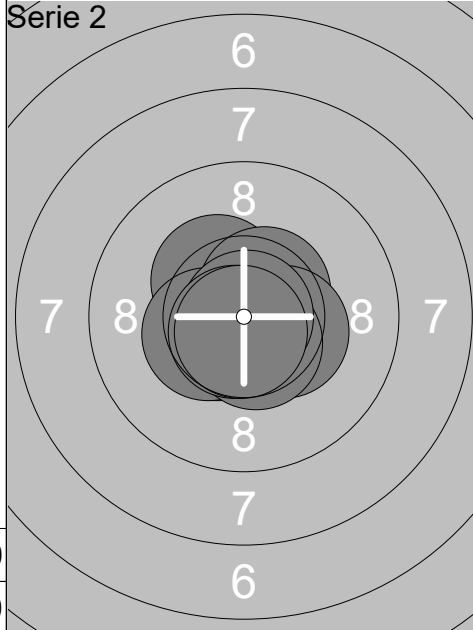


1:	10.6x ↘
2:	10.8x ←
3:	10.6x ←
4:	10.6x ↗
5:	10.6x ↘
6:	9.7 →
7:	10.0 ←
8:	10.2x ↗
9:	10.7x ↑
10:	9.8 ←
Series	103.6
	627.6

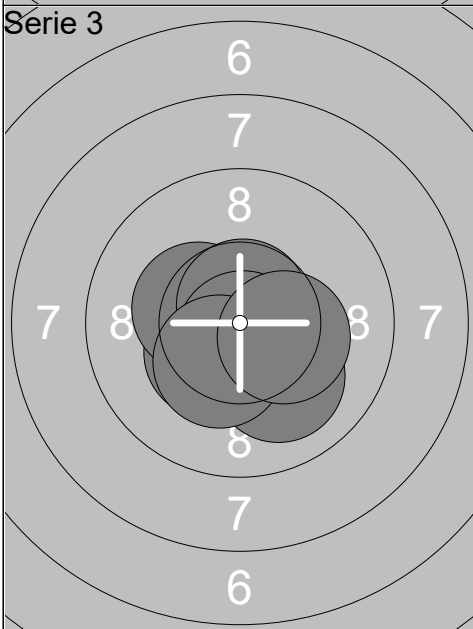
Relay	Lane	Camilla Chemnitz Hansen		
Day 1 Denmark Open Air	Randers Skyttekreds	W		
14.02.2020	Day 1 Denmark Open Air 2020	Denmark Open Air 2020		
Serie 1 	1: 10.3x →	Serie 2 	1: 9.8 ←	
	2: 10.0 ↑		2: 10.1 ↓	
	3: 10.5x ↑		3: 10.8x ↑	
	4: 10.2x ↗		4: 10.3x ←	
	5: 10.0 ↗		5: 10.1 ↗	
	6: 10.6x ↓		6: 9.9 →	
	7: 9.9 →		7: 10.8x ←	
	8: 10.5x ↗		8: 10.1 ↓	
	9: 9.8 ↖		9: 10.8x ↗	
	10: 10.3x ↓		10: 9.8 ↖	
	Series 102.1		Series 102.5	
	102.1		204.6	
Serie 3 	1: 10.1 →	Serie 4 	1: 9.4 ←	
	2: 10.4x ←		2: 10.5x ↑	
	3: 10.1 ↑		3: 9.7 ←	
	4: 10.5x ↓		4: 9.3 ←	
	5: 10.3x ←		5: 10.7x ←	
	6: 10.5x ↑		6: 9.0 ←	
	7: 10.8x ←		7: 10.4x ↖	
	8: 10.5x ↓		8: 9.5 ↗	
	9: 9.9 ←		9: 10.0 ↓	
	10: 10.3x ↓		10: 10.4x ←	
	Series 103.4		Series 98.9	
	308.0		406.9	
Serie 5 	1: 10.5x ↖	Serie 6 	1: 10.4x ↓	
	2: 9.7 ↓		2: 10.0 ↖	
	3: 10.2x ↓		3: 10.0 ↓	
	4: 10.2x ←		4: 9.1 ↗	
	5: 10.0 ←		5: 10.2x ↓	
	6: 10.0 ↓		6: 10.5x ←	
	7: 10.6x ←		7: 10.4x ↓	
	8: 10.4x ↖		8: 10.3x ↖	
	9: 9.9 →		9: 9.7 ←	
	10: 9.9 ↗		10: 10.1 ↖	
	Series 101.4		Series 100.7	
	508.3		609.0	



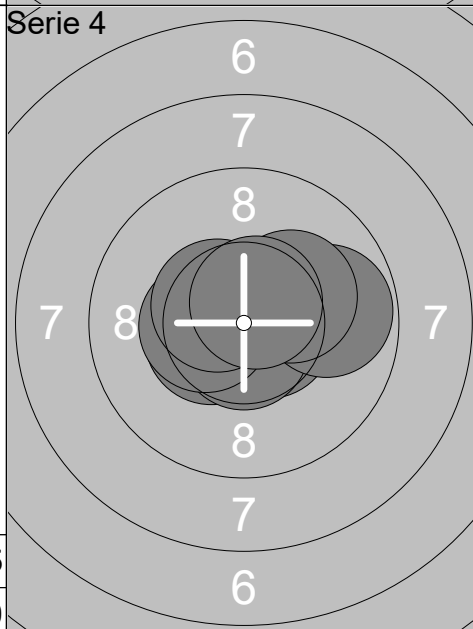
1:	10.1 ↗
2:	10.3x →
3:	10.6x ↑
4:	10.6x ↘
5:	10.4x ←
6:	10.2x ↘
7:	10.2x →
8:	10.4x →
9:	10.0 →
10:	10.2x →
Series	103.0
	103.0



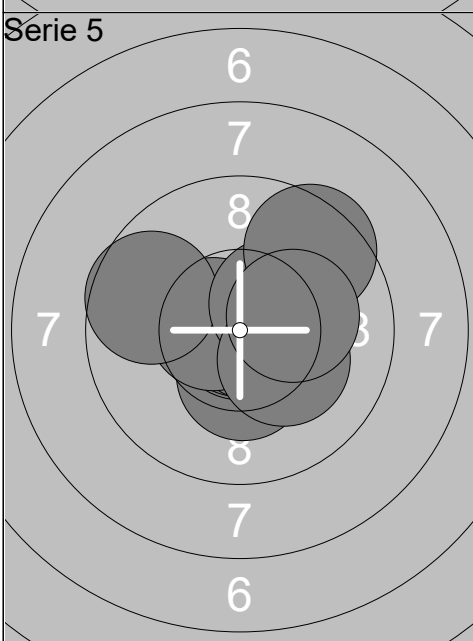
1:	10.6x →
2:	10.5x ↙
3:	10.3x ↘
4:	10.4x ↙
5:	10.5x ↗
6:	10.4x →
7:	10.5x ↘
8:	10.9x →
9:	10.7x ↘
10:	10.7x ↘
Series	105.5
	208.5



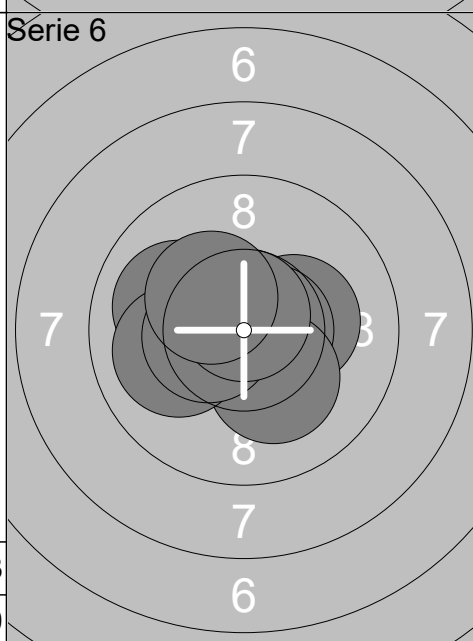
1:	10.5x ←
2:	10.5x ↘
3:	10.4x ↙
4:	10.7x ↙
5:	10.0 ↘
6:	10.3x ↙
7:	10.7x ↑
8:	10.7x ↘
9:	10.4x ↘
10:	10.3x →
Series	104.5
	313.0



1:	10.4x ←
2:	10.8x →
3:	10.6x →
4:	10.6x ←
5:	10.7x ↘
6:	10.4x ←
7:	10.5x ↙
8:	9.8 →
9:	10.2x ↗
10:	10.6x ↗
Series	104.6
	417.6

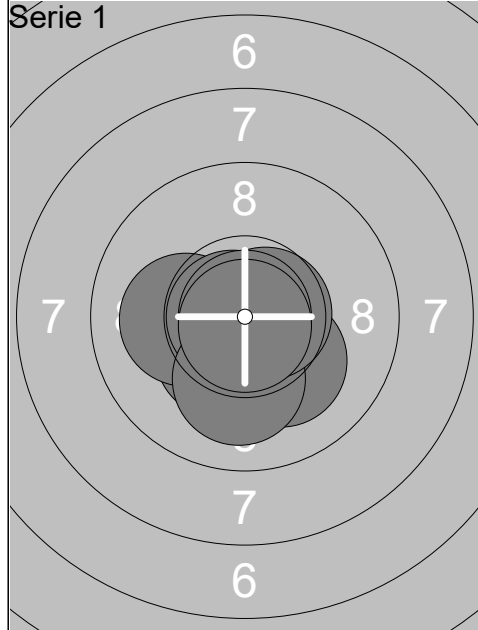


1:	10.3x ↘
2:	10.9x ↘
3:	10.9x
4:	10.8x →
5:	10.6x ←
6:	9.6 ←
7:	10.3x ↗
8:	9.5 ↗
9:	10.2x ↘
10:	10.2x →
Series	103.3
	520.9

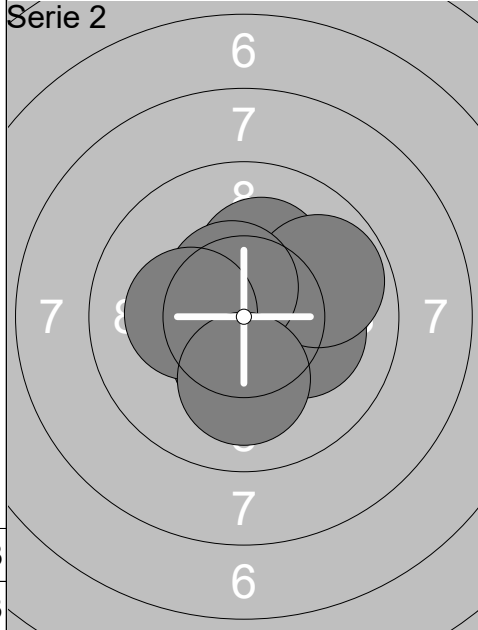


1:	10.0 ←
2:	10.2x →
3:	10.6x ↘
4:	10.6x →
5:	10.7x ↙
6:	10.2x ↘
7:	10.0 ←
8:	10.4x ←
9:	10.7x ↑
10:	10.3x ↘
Series	103.7
	624.6

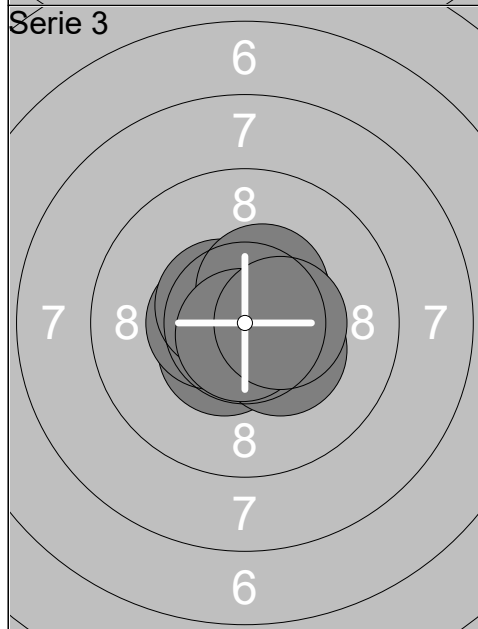
Relay	Lane	Stine Holtze Nielsen	
Day 1 Denmark Open Air	Sørslev Skytteforening	W	
14.02.2020	Day 1 Denmark Open Air 2020	Denmark Open Air 2020	
Serie 1	1: 10.0 ↘ 2: 10.5x → 3: 10.6x ↗ 4: 10.7x ← 5: 10.5x ↖ 6: 10.2x → 7: 10.0 ↗ 8: 10.5x ↓ 9: 9.3 ↓ 10: 10.6x ↓ Series 102.9 102.9	Serie 2	1: 10.5x ↗ 2: 10.8x ↘ 3: 10.3x ↘ 4: 10.5x ↗ 5: 10.4x ↘ 6: 10.3x ↖ 7: 10.3x ↘ 8: 10.6x ↗ 9: 10.6x ↗ 10: 10.3x → Series 104.6 207.5
Serie 3	1: 10.6x ↖ 2: 10.6x → 3: 10.8x ← 4: 10.0 ↑ 5: 10.4x ↘ 6: 10.7x ↗ 7: 10.0 ↗ 8: 10.6x ↘ 9: 10.7x ↘ 10: 9.9 ↓ Series 104.3 311.8	Serie 4	1: 10.6x ↓ 2: 10.2x ↗ 3: 10.4x ↗ 4: 10.5x ↘ 5: 10.5x ← 6: 10.1 ↓ 7: 10.1 ↖ 8: 10.0 ↘ 9: 10.0 ← 10: 10.7x ↓ Series 103.1 414.9
Serie 5	1: 10.1 ↘ 2: 9.9 ↘ 3: 10.4x ↓ 4: 10.4x ↘ 5: 10.4x ↖ 6: 10.6x ↘ 7: 10.0 ↓ 8: 10.4x ↗ 9: 10.7x ↘ 10: 10.6x ↖ Series 103.5 518.4	Serie 6	1: 9.9 ↘ 2: 10.9x ← 3: 10.9x 4: 10.3x ↘ 5: 10.4x ↖ 6: 10.4x ← 7: 10.2x ↑ 8: 9.8 → 9: 10.4x ← 10: 10.3x ↗ Series 103.5 621.9



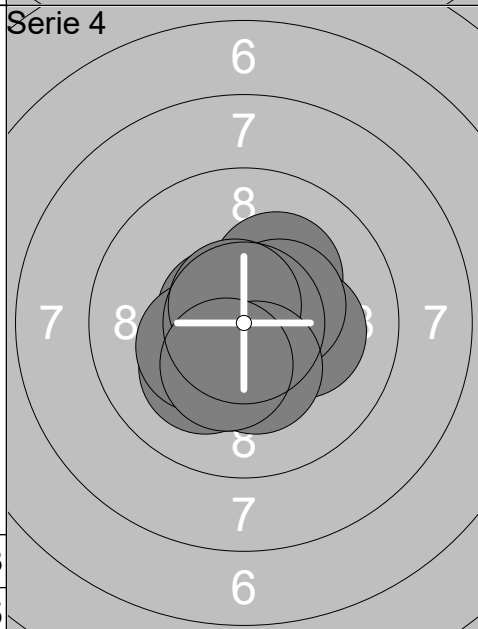
1:	10.3x ↘
2:	10.8x ↓
3:	10.6x ↓
4:	10.1 ←
5:	10.8x ←
6:	10.2x ↘
7:	10.1 ↓
8:	10.7x →
9:	10.9x
10:	10.8x ↓
Series	105.3
	105.3



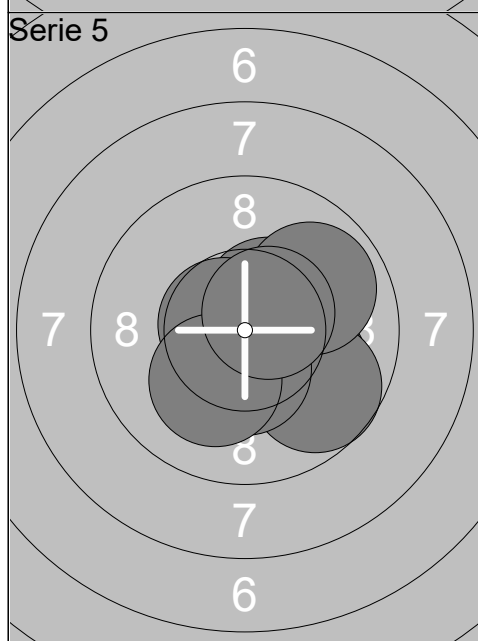
1:	10.4x ↓
2:	10.9x ↘
3:	10.3x ↓
4:	10.2x ↗
5:	10.4x →
6:	10.1 →
7:	9.8 →
8:	10.5x ↗
9:	10.2x ←
10:	10.1 ↓
Series	102.9
	208.2



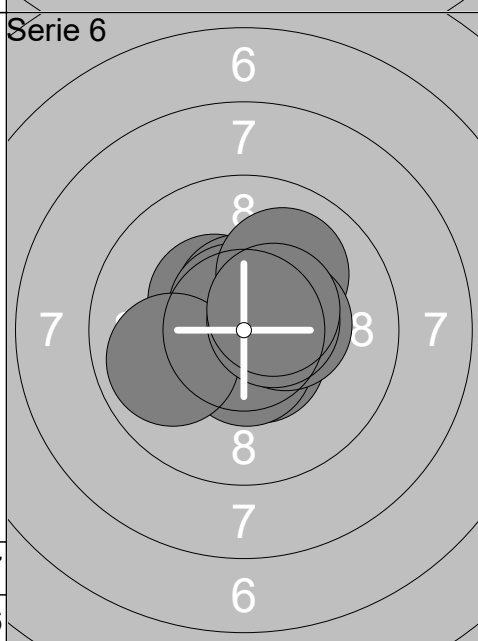
1:	10.5x ↘
2:	10.3x ↘
3:	10.7x ←
4:	10.5x ←
5:	10.5x ↖
6:	10.5x ↗
7:	10.7x →
8:	10.4x ↗
9:	10.8x ↓
10:	10.4x →
Series	105.3
	313.5



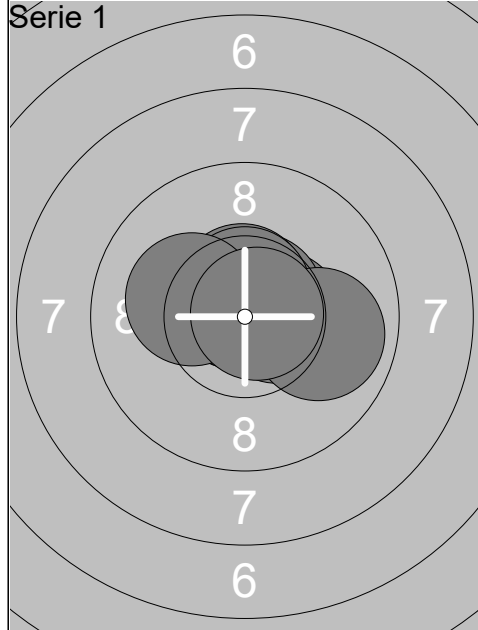
1:	10.4x ↓
2:	10.2x ↗
3:	10.1 ↘
4:	10.2x →
5:	10.6x ↖
6:	10.3x ↖
7:	10.4x →
8:	10.6x ↗
9:	10.3x ↓
10:	10.3x ↓
Series	103.4
	416.9



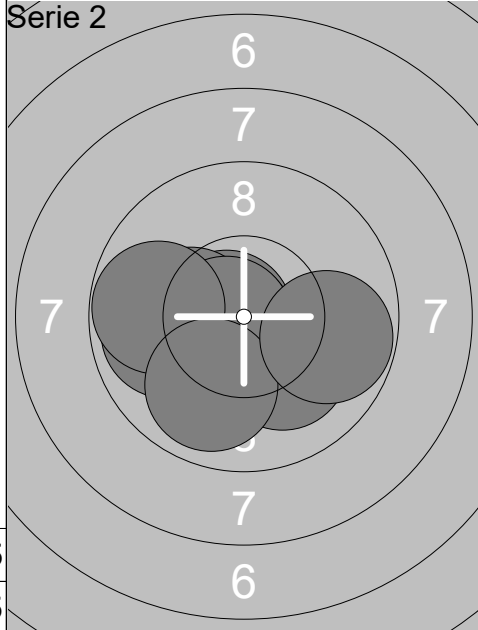
1:	10.6x ↓
2:	10.4x ↗
3:	10.0 →
4:	10.5x ↓
5:	10.6x ←
6:	9.7 ↘
7:	9.9 ↗
8:	10.4x ↓
9:	10.1 ↓
10:	10.5x ↗
Series	102.7
	519.6



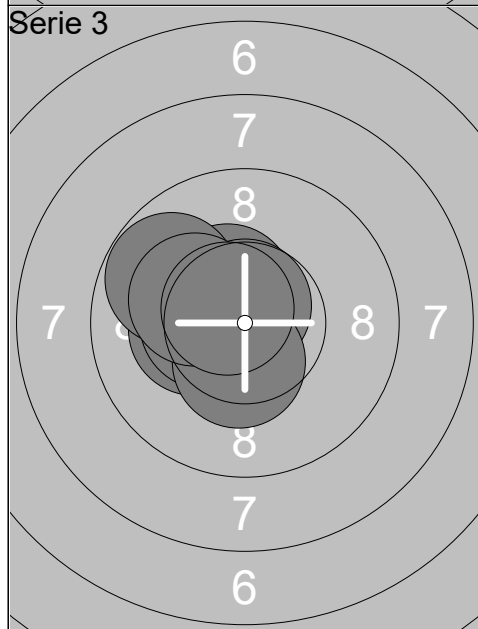
1:	10.4x ↖
2:	10.5x ↑
3:	10.5x ↓
4:	10.6x ↗
5:	10.0 ↗
6:	10.5x ↓
7:	9.9 ←
8:	10.4x →
9:	10.5x →
10:	10.4x ↗
Series	103.7
	623.3



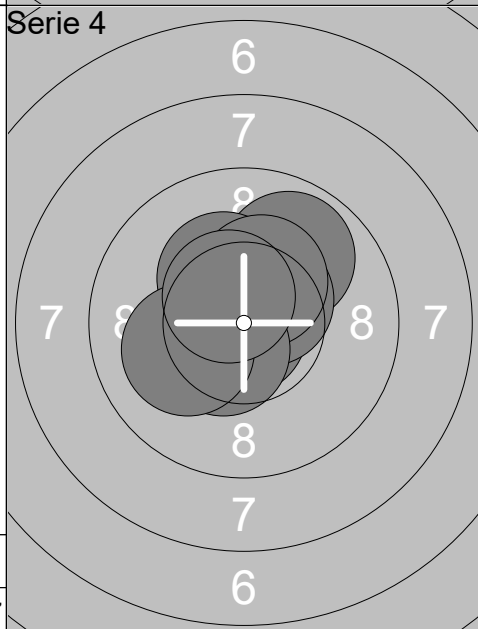
1:	10.7x →
2:	10.7x ↖
3:	10.5x →
4:	10.7x ↗
5:	10.8x ↑
6:	10.6x ↑
7:	10.6x ↑
8:	10.2x ←
9:	9.9 →
10:	10.8x →
Series	105.5
	105.5



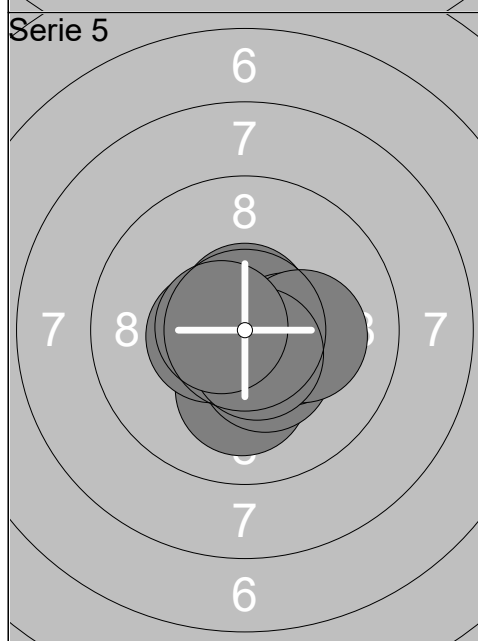
1:	10.3x ↘
2:	10.1 ↘
3:	10.7x ←
4:	10.2x ←
5:	10.7x ↙
6:	9.9 ←
7:	10.7x ←
8:	9.8 ←
9:	9.9 ↘
10:	9.8 →
Series	102.1
	207.6



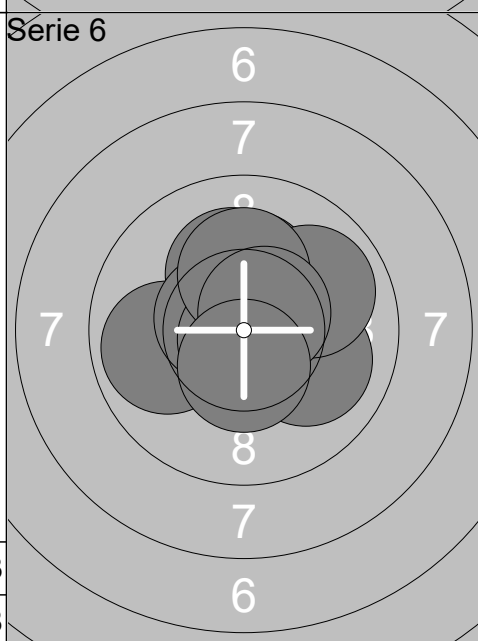
1:	10.8x ←
2:	10.4x ↖
3:	10.2x ←
4:	10.7x ↖
5:	10.7x ↑
6:	10.4x ←
7:	10.4x ↓
8:	9.7 ↖
9:	10.2x ←
10:	10.6x ↖
Series	104.1
	311.7



1:	10.8x ↘
2:	10.6x ↑
3:	9.9 ↗
4:	10.4x ↗
5:	10.3x ↖
6:	10.5x ↗
7:	10.3x ↑
8:	10.4x ↘
9:	10.1 ←
10:	10.5x ↖
Series	103.8
	415.5

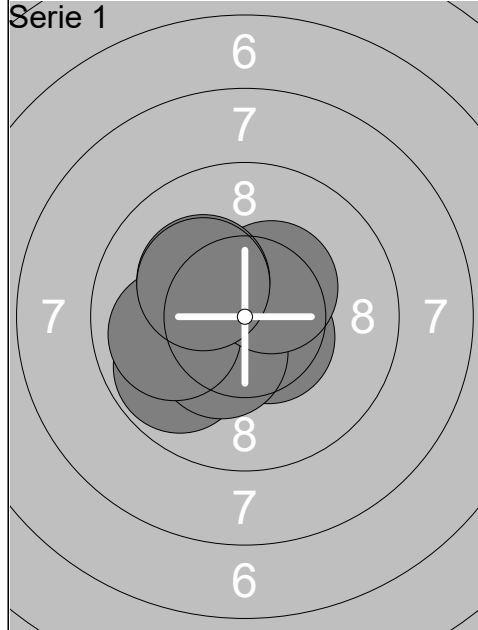


1:	10.5x ↘
2:	10.4x ↘
3:	10.1 ↓
4:	10.4x ↘
5:	10.7x ↑
6:	10.4x →
7:	10.5x ←
8:	10.1 →
9:	10.6x ↓
10:	10.6x ←
Series	104.3
	519.8

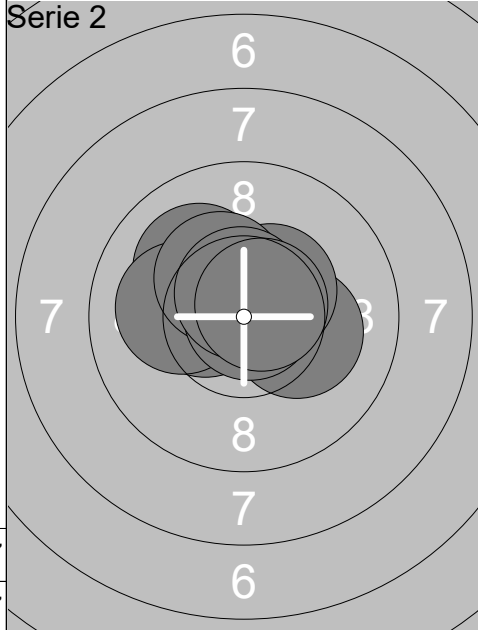


1:	10.0 →
2:	9.9 ←
3:	10.2x ↑
4:	10.2x ↑
5:	10.6x ←
6:	10.8x ↓
7:	9.9 ↗
8:	10.2x ↑
9:	10.6x ↗
10:	10.5x ↓
Series	102.9
	622.7

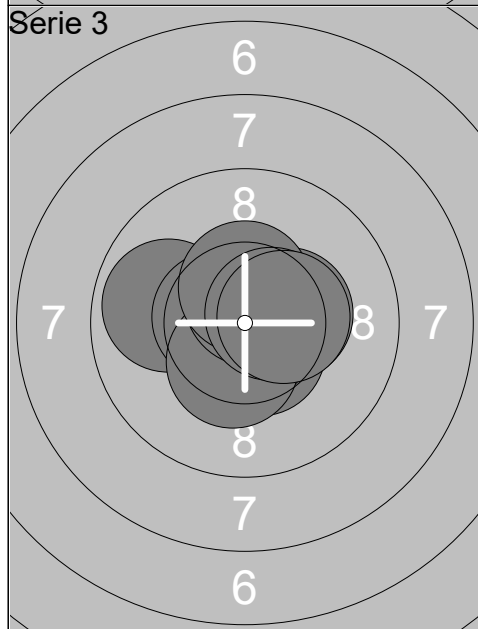
Relay	Lane	Cecilie Rasmussen		
Day 1 Denmark Open Air	21	Århus Riffelskytte Klub	W	
14.02.2020	Day 1 Denmark Open Air 2020	Denmark Open Air 2020		
Serie 1 	1: 10.3x ↗	Serie 2 	1: 9.9 ↘	
	2: 10.8x ↗		2: 8.7 ↗	
	3: 10.1 ↗		3: 10.4x ↗	
	4: 10.0 →		4: 10.1 ↗	
	5: 10.6x ↙		5: 9.4 ↗	
	6: 10.0 →		6: 9.4 ←	
	7: 10.1 ↗		7: 10.8x ↘	
	8: 9.5 →		8: 10.0 →	
	9: 9.6 →		9: 9.4 ←	
	10: 9.9 ↗		10: 10.2x ↘	
	Series 100.9		Series 98.3	
	100.9		199.2	
Serie 3 	1: 10.3x ←	Serie 4 	1: 10.3x →	
	2: 10.2x ←		2: 10.2x ↘	
	3: 10.2x ↗		3: 10.2x ↙	
	4: 10.8x ↗		4: 9.6 ↗	
	5: 9.7 ↗		5: 9.7 ↗	
	6: 10.1 ↘		6: 9.8 →	
	7: 9.7 ←		7: 8.7 ←	
	8: 10.4x ↗		8: 10.1 ↗	
	9: 9.6 ↘		9: 9.8 ↗	
	10: 10.4x ↗		10: 10.2x ↗	
	Series 101.4		Series 98.6	
	300.6		399.2	
Serie 5 	1: 10.7x →	Serie 6 	1: 10.1 ←	
	2: 10.6x →		2: 9.2 →	
	3: 10.2x →		3: 9.6 →	
	4: 9.0 ←		4: 9.1 ←	
	5: 10.3x ←		5: 10.3x ↙	
	6: 10.5x ↗		6: 9.5 ←	
	7: 10.2x ↗		7: 10.1 →	
	8: 10.1 ←		8: 10.3x ↗	
	9: 10.7x →		9: 9.8 ←	
	10: 10.2x ↗		10: 10.0 ↗	
	Series 102.5		Series 98.0	
	501.7		599.7	



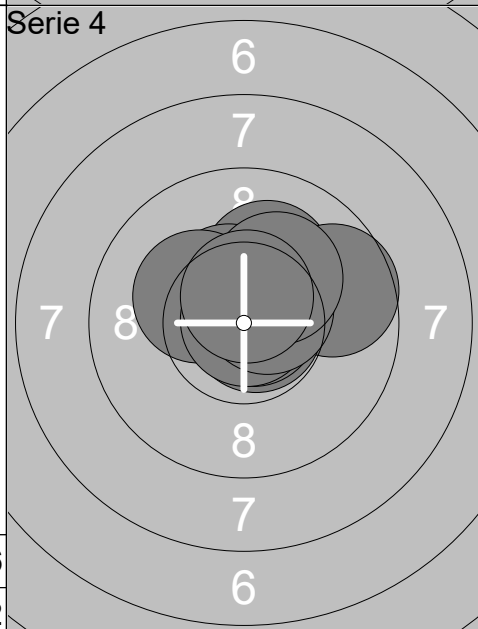
1:	10.4x ↙
2:	10.5x ↘
3:	9.8 ↙
4:	10.4x ←
5:	10.6x ↑
6:	10.3x ↘
7:	9.9 ←
8:	10.4x ↗
9:	10.2x ↖
10:	10.2x ↖
Series	102.7
	102.7



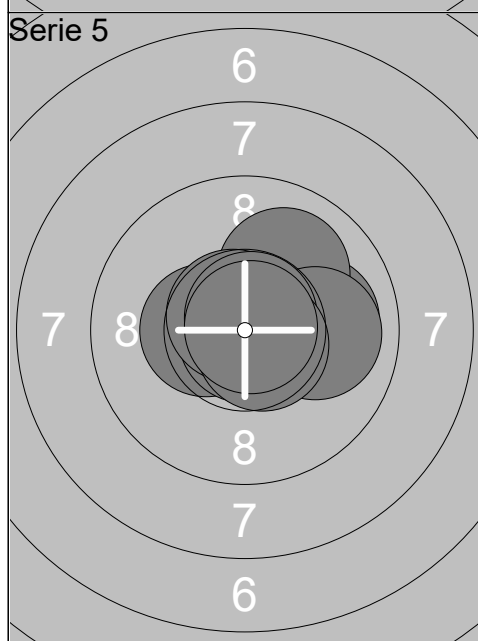
1:	10.3x ↙
2:	10.2x →
3:	10.4x ↗
4:	10.4x ←
5:	10.1 ↖
6:	10.1 ←
7:	10.3x ↖
8:	10.9x ↗
9:	10.6x ↑
10:	10.6x ↗
Series	103.9
	206.6



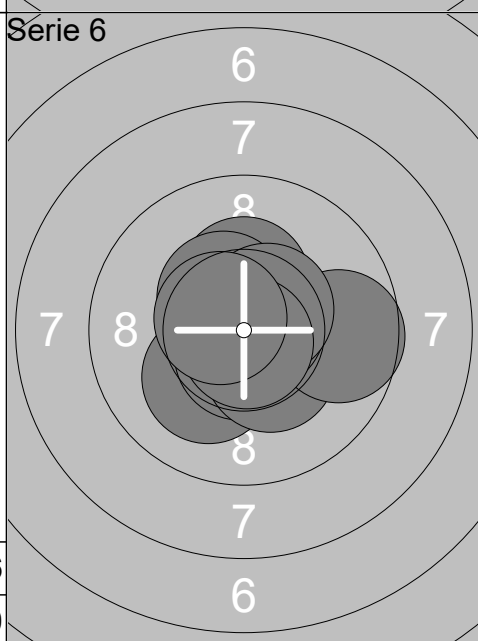
1:	9.9 ←
2:	10.5x ↘
3:	10.7x ↘
4:	10.6x ←
5:	10.4x →
6:	10.4x ↘
7:	10.6x ↑
8:	10.5x ↑
9:	10.6x →
10:	10.4x →
Series	104.6
	311.2



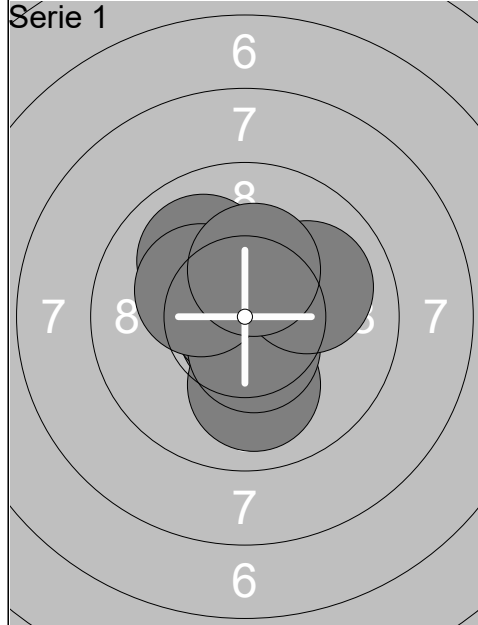
1:	10.1 ↑
2:	10.4x ↖
3:	9.7 →
4:	10.8x →
5:	10.2x ↖
6:	10.8x →
7:	10.9x ↗
8:	10.5x ↗
9:	10.2x ↗
10:	10.6x ↑
Series	104.2
	415.4



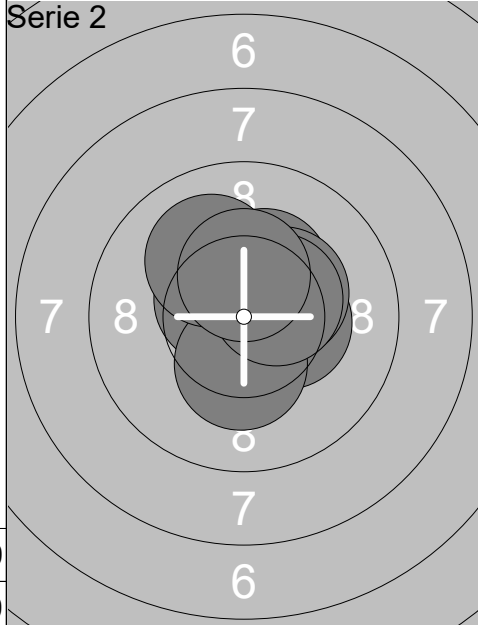
1:	10.5x ↗
2:	10.4x ←
3:	10.0 →
4:	10.8x ↘
5:	10.0 ↗
6:	10.0 →
7:	10.7x ↖
8:	10.7x ↗
9:	10.6x ↘
10:	10.9x ↗
Series	104.6
	520.0



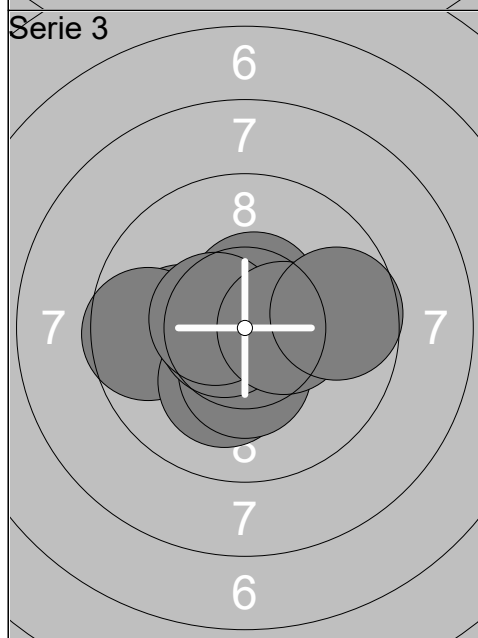
1:	10.1 ↘
2:	10.3x ↑
3:	10.6x ↘
4:	10.3x ↘
5:	10.4x ↖
6:	9.7 →
7:	10.7x →
8:	10.5x ↗
9:	10.8x ↘
10:	10.6x ↖
Series	104.0
	624.0



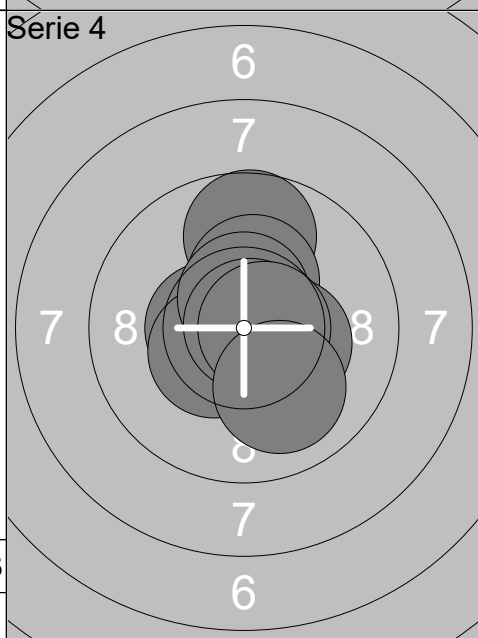
1:	10.0 ↖
2:	10.8x ↓
3:	10.6x ↖
4:	10.8x ↙
5:	10.7x ↑
6:	10.0 ↓
7:	10.5x ↓
8:	10.0 →
9:	10.2x ↙
10:	10.3x ↑
Series	103.9
	103.9



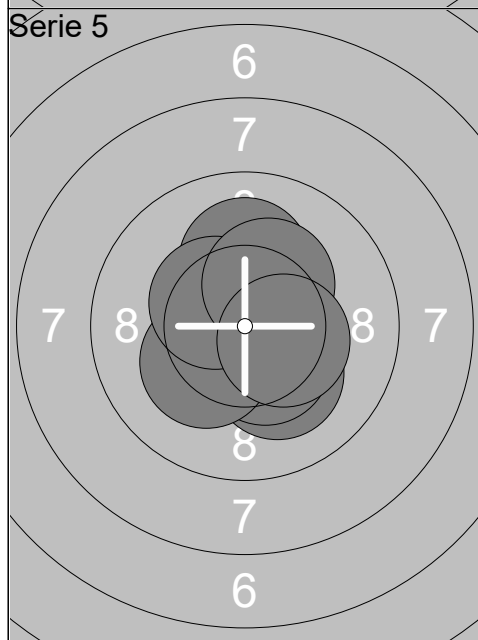
1:	10.4x →
2:	10.3x ↗
3:	10.3x ↗
4:	10.5x ↑
5:	10.8x ↖
6:	10.5x ↙
7:	10.3x ↓
8:	10.0 ↖
9:	10.4x ↗
10:	10.4x ↑
Series	103.9
	207.8



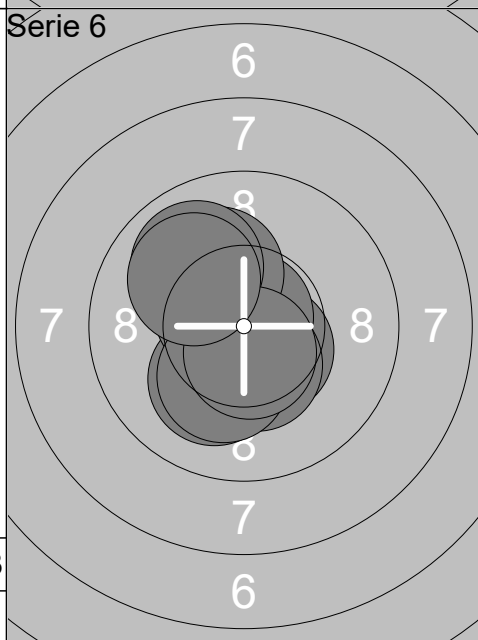
1:	10.5x ↑
2:	10.1 ←
3:	9.6 ←
4:	10.5x ↓
5:	10.1 ↓
6:	10.3x ↓
7:	10.6x ↙
8:	10.5x ↙
9:	10.4x →
10:	9.7 →
Series	102.3
	310.1



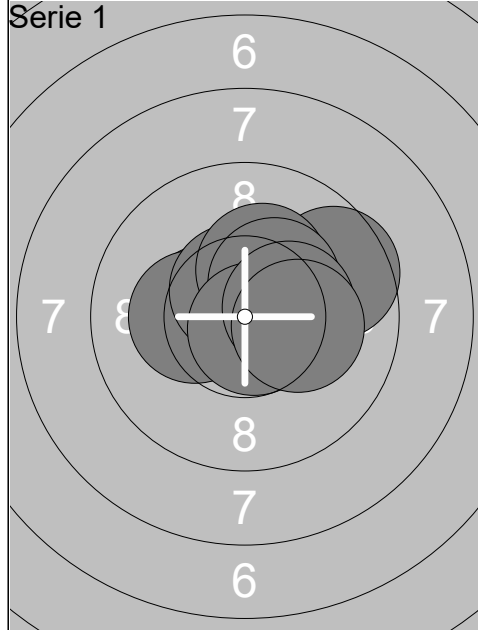
1:	10.5x ↙
2:	9.7 ↑
3:	10.3x ↑
4:	10.4x ↙
5:	10.6x →
6:	10.5x ↑
7:	10.3x →
8:	10.8x ↗
9:	10.6x →
10:	10.0 ↓
Series	103.7
	413.8



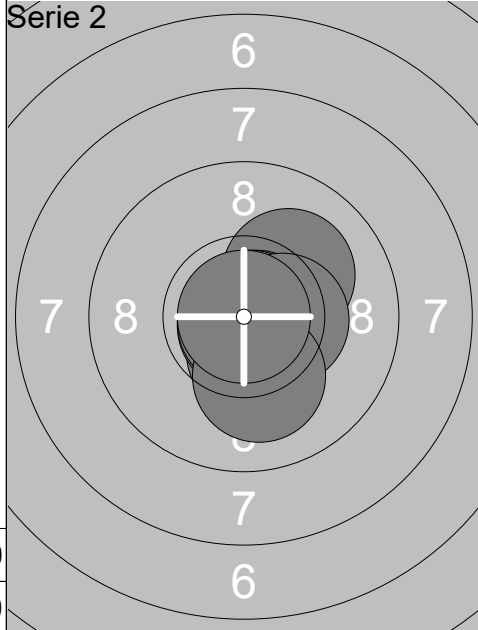
1:	10.1 ↑
2:	10.1 ↓
3:	10.4x ↓
4:	10.7x →
5:	10.8x ↓
6:	10.9x
7:	10.2x ↙
8:	10.4x ↙
9:	10.3x ↗
10:	10.4x →
Series	104.3
	518.1



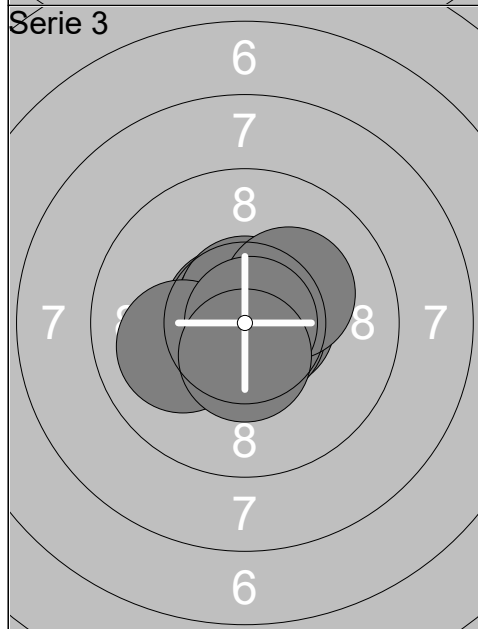
1:	10.5x ↘
2:	10.1 ↓
3:	10.5x ↙
4:	10.4x ↓
5:	10.8x ↑
6:	10.2x ↓
7:	10.1 ↗
8:	9.9 ↗
9:	10.6x ↓
10:	10.0 ↖
Series	103.1
	621.2



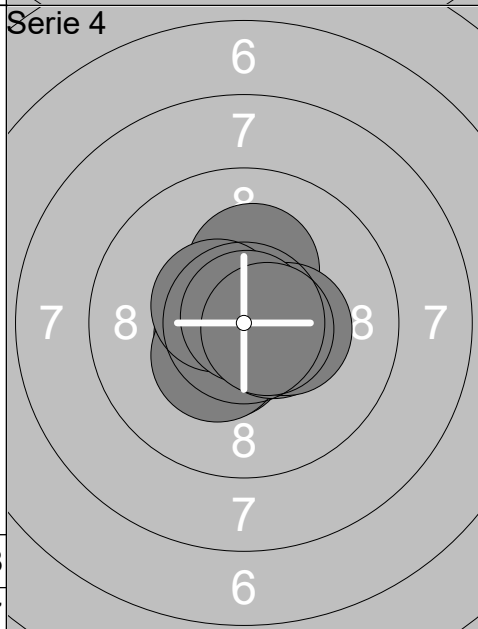
1:	10.5x →
2:	9.6 ↗
3:	10.4x ←
4:	10.2x ←
5:	10.5x ↑
6:	10.3x ↑
7:	10.3x ↗
8:	10.7x ↓
9:	10.3x →
10:	10.2x →
Series	103.0
	103.0



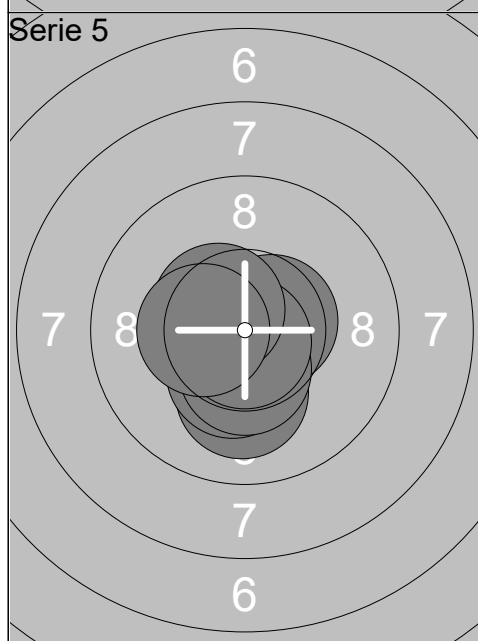
1:	10.4x ↓
2:	10.1 ↗
3:	10.8x →
4:	10.7x ↓
5:	10.8x ↓
6:	10.8x ↓
7:	10.9x →
8:	10.4x →
9:	10.1 ↓
10:	10.9x
Series	105.9
	208.9



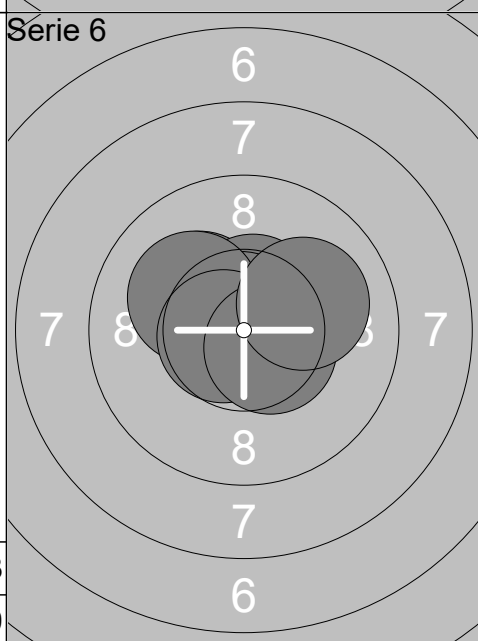
1:	10.6x →
2:	10.7x ↖
3:	10.8x ↗
4:	10.7x ↑
5:	10.7x ↑
6:	10.7x →
7:	10.0 ←
8:	10.2x ↗
9:	10.9x →
10:	10.5x ↓
Series	105.8
	314.7



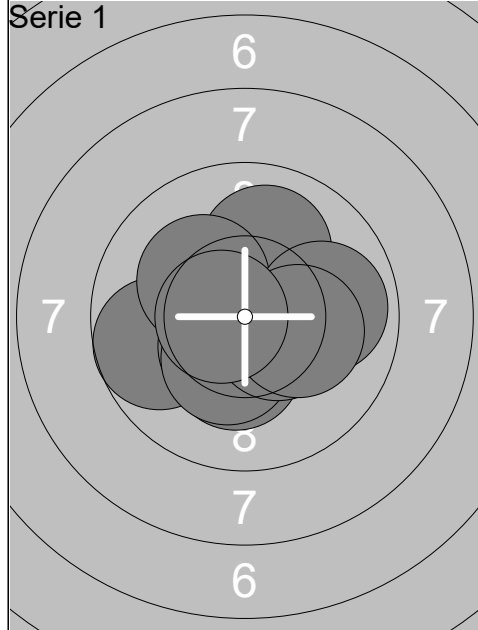
1:	10.5x ↙
2:	10.4x ↙
3:	10.6x ←
4:	10.4x ↙
5:	10.5x →
6:	10.2x ↑
7:	10.5x ↖
8:	10.4x →
9:	10.8x ↑
10:	10.6x →
Series	104.9
	419.6



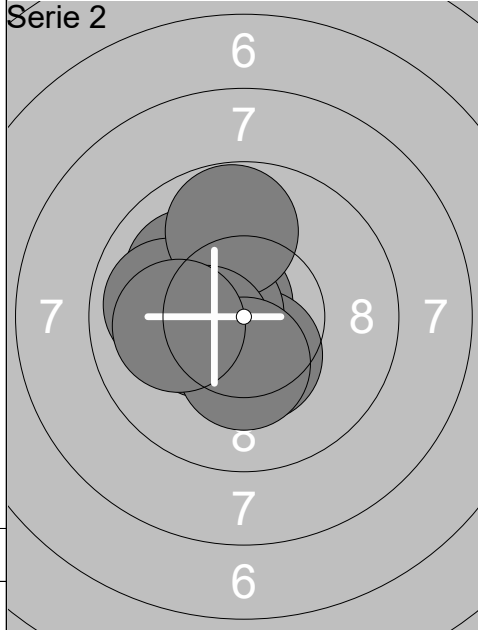
1:	10.1 ↓
2:	10.9x ↓
3:	10.7x →
4:	10.5x →
5:	10.3x ↓
6:	10.4x ↓
7:	10.7x ←
8:	10.8x ↓
9:	10.5x ↖
10:	10.4x ←
Series	105.3
	524.9



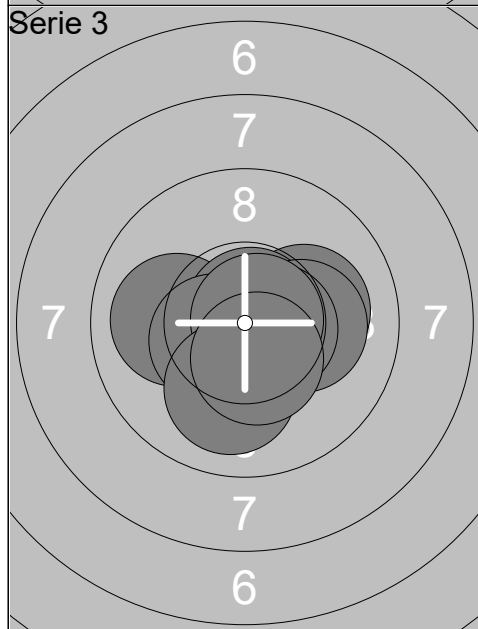
1:	10.7x →
2:	10.2x ↖
3:	10.5x →
4:	10.7x →
5:	10.5x ↑
6:	10.8x ↑
7:	10.1 ↖
8:	10.6x ←
9:	10.5x →
10:	10.0 ↗
Series	104.6
	629.5



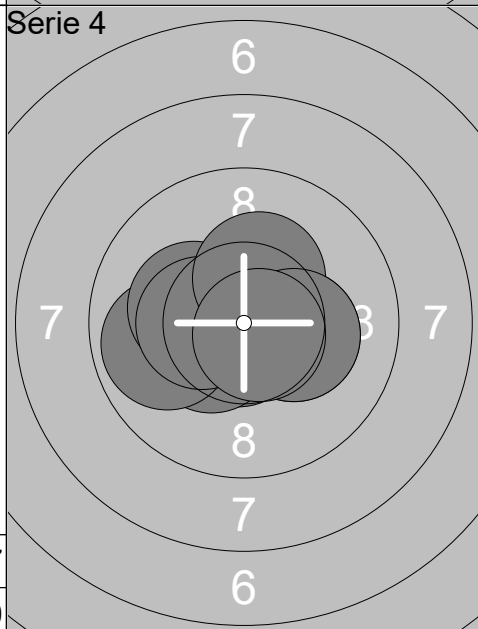
1:	10.0	↗
2:	10.3x	↘
3:	9.7	←
4:	10.5x	↘
5:	10.3x	↘
6:	10.4x	↘
7:	10.2x	↗
8:	9.9	→
9:	10.2x	→
10:	10.6x	←
Series		102.1
		102.1



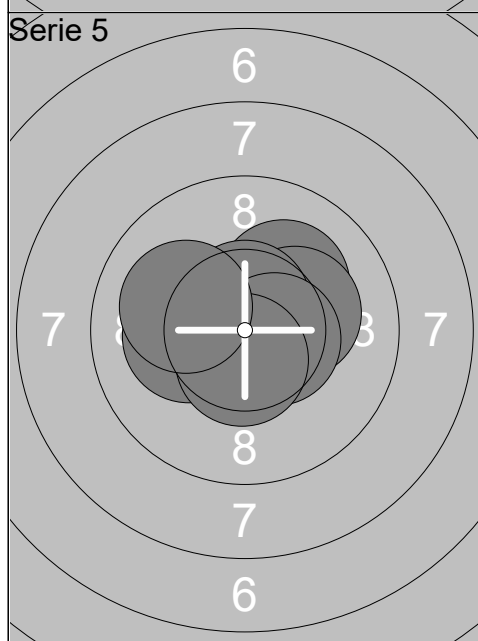
1:	10.6x	↖
2:	10.3x	←
3:	10.4x	↘
4:	10.0	↗
5:	9.9	←
6:	10.6x	←
7:	9.8	↗
8:	10.3x	←
9:	10.3x	↘
10:	10.0	←
Series		102.2
		204.3



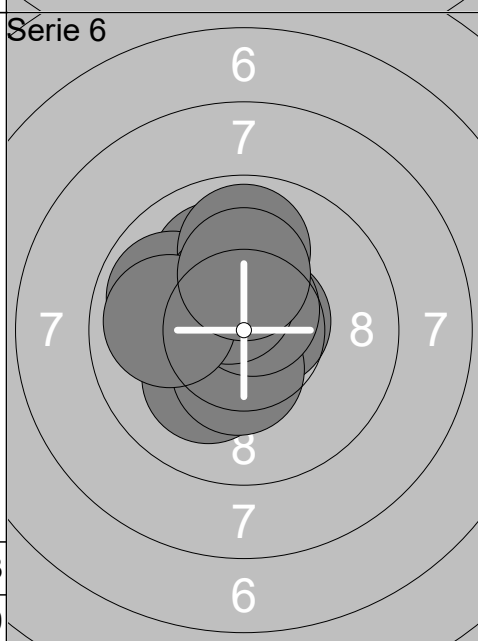
1:	10.1	→
2:	10.0	←
3:	10.8x	↗
4:	10.5x	↘
5:	10.2x	→
6:	10.4x	↙
7:	10.5x	→
8:	10.8x	→
9:	10.0	↘
10:	10.4x	↘
Series		103.7
		308.0



1:	10.7x	↘
2:	10.2x	→
3:	10.7x	←
4:	10.4x	↙
5:	9.8	←
6:	10.2x	←
7:	10.4x	←
8:	10.3x	↗
9:	10.2x	→
10:	10.7x	↘
Series		103.6
		411.6



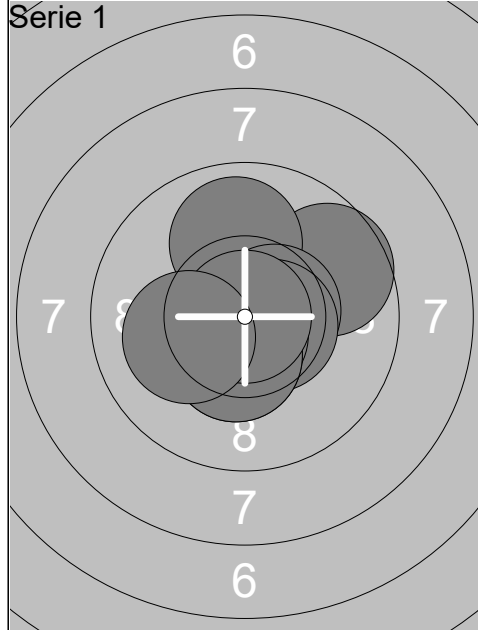
1:	10.1	↗
2:	10.8x	→
3:	10.2x	→
4:	10.2x	←
5:	10.7x	↖
6:	10.6x	↘
7:	10.6x	↗
8:	10.5x	→
9:	10.5x	↘
10:	10.1	←
Series		104.3
		515.9



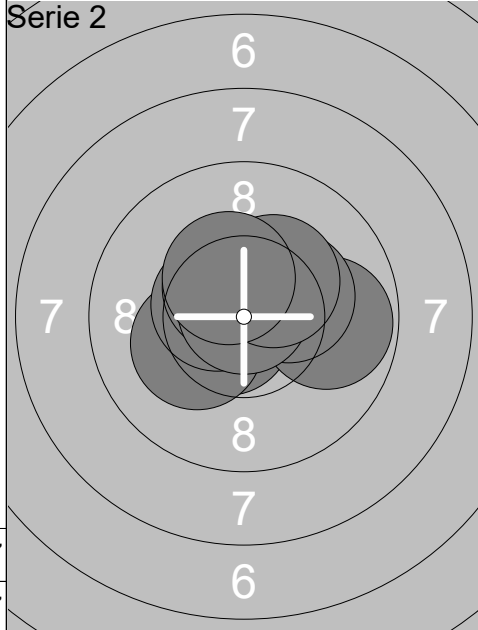
1:	10.1	↙
2:	10.6x	→
3:	10.4x	↘
4:	10.0	↗
5:	10.6x	↗
6:	9.9	←
7:	9.8	↗
8:	10.4x	↗
9:	9.9	←
10:	10.2x	↗
Series		101.9
		617.8

Relay	Lane	Xiu Yi Ho		
2	27	Singapore Shooting Association		W
14.02.2020		Day 1 Denmark Open Air 2020	Denmark Open Air 2020	
Serie 1 	1: 9.9 ↙	Serie 2 	1: 10.6x ↗	
	2: 10.6x ↖		2: 10.5x ↖	
	3: 10.5x ↗		3: 10.2x ↗	
	4: 10.4x ↙		4: 10.7x ↖	
	5: 10.8x ↙		5: 9.8 ↗	
	6: 10.4x →		6: 10.7x ↙	
	7: 10.6x ↖		7: 10.6x ↓	
	8: 10.3x ↙		8: 10.3x ↙	
	9: 10.8x ↙		9: 10.7x ↘	
	10: 10.4x ↗		10: 10.4x →	
	Series 104.7		Series 104.5	
	104.7		209.2	
Serie 3 	1: 10.8x ↓	Serie 4 	1: 10.5x ↗	
	2: 10.2x ↗		2: 10.3x ↗	
	3: 10.6x ↗		3: 10.4x ↗	
	4: 10.4x ↙		4: 10.7x ↓	
	5: 10.8x ↗		5: 10.4x ↓	
	6: 10.7x ↗		6: 10.3x ↗	
	7: 10.3x ↓		7: 10.9x ↓	
	8: 10.7x ↘		8: 10.6x ↘	
	9: 10.3x →		9: 10.1 ↓	
	10: 10.5x ↗		10: 10.7x ↗	
	Series 105.3		Series 104.9	
	314.5		419.4	
Serie 5 	1: 10.5x ↙	Serie 6 	1: 10.6x ↓	
	2: 10.0 ↗		2: 10.6x ↓	
	3: 10.4x ↓		3: 10.5x ↖	
	4: 10.3x ↗		4: 10.7x ↙	
	5: 10.8x ↗		5: 9.8 ↗	
	6: 10.6x ↘		6: 10.5x ↓	
	7: 10.7x ↓		7: 10.6x ↓	
	8: 10.6x →		8: 10.0 ↗	
	9: 10.5x ↓		9: 10.9x ↗	
	10: 10.1 ↓		10: 10.7x ↖	
	Series 104.5		Series 104.9	
	523.9		628.8	

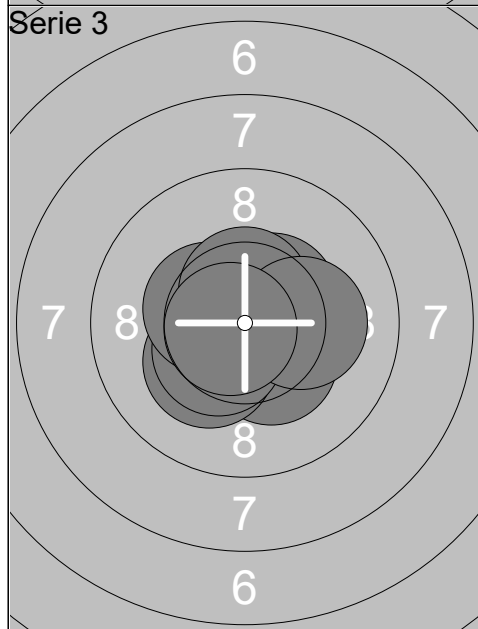
Relay	Lane	Anna Skade Nielsen		
2	28	Day 1 Denmark Open Air	Sørslev Skytteforening	W
14.02.2020	Day 1 Denmark Open Air 2020	Denmark Open Air 2020		
Serie 1 	1: 10.5x ↙	Serie 2 	1: 10.4x ↘	
	2: 10.1 ↑		2: 10.3x ↘	
	3: 10.8x ↘		3: 10.0 ➡	
	4: 10.7x ↗		4: 10.3x ↘	
	5: 10.5x ↙		5: 10.6x ↙	
	6: 10.5x ↙		6: 10.4x ↑	
	7: 10.7x ↑		7: 10.7x ↑	
	8: 10.4x ↗		8: 10.4x ➡	
	9: 10.7x ↘		9: 10.5x ➡	
	10: 10.1 ↑		10: 10.4x ↗	
	Series 105.0		Series 104.0	
	105.0		209.0	
Serie 3 	1: 10.2x ➡	Serie 4 	1: 10.2x ↖	
	2: 10.1 ↙		2: 10.5x ➡	
	3: 10.4x ↘		3: 10.5x ↘	
	4: 10.8x ↑		4: 10.5x ↘	
	5: 10.4x ↘		5: 10.6x ↑	
	6: 10.4x ↘		6: 10.5x ↘	
	7: 10.0 ↙		7: 10.4x ↘	
	8: 10.5x ↘		8: 10.2x ↙	
	9: 10.5x ↘		9: 10.6x ↑	
	10: 10.5x ↗		10: 10.8x ↙	
	Series 103.8		Series 104.8	
	312.8		417.6	
Serie 5 	1: 10.8x ➡	Serie 6 	1: 10.4x ↘	
	2: 10.5x ➡		2: 10.4x ↙	
	3: 10.0 ↙		3: 10.0 ↗	
	4: 10.3x ↙		4: 10.2x ↙	
	5: 10.3x ➡		5: 10.4x ↗	
	6: 10.6x ↖		6: 10.4x ➡	
	7: 10.3x ↘		7: 10.7x ↙	
	8: 10.2x ➡		8: 10.6x ↖	
	9: 10.1 ➡		9: 10.4x ↗	
	10: 10.7x ➡		10: 10.3x ➡	
	Series 103.8		Series 103.8	
	521.4		625.2	



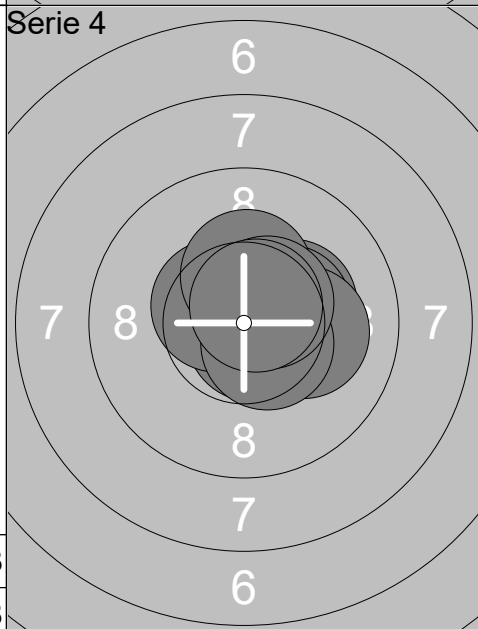
1:	9.6 ↗
2:	10.6x ↑
3:	9.9 ↑
4:	10.5x →
5:	10.6x →
6:	10.7x ↓
7:	10.4x ↓
8:	10.4x ↓
9:	10.9x
10:	10.1 ←
Series	103.7
	103.7



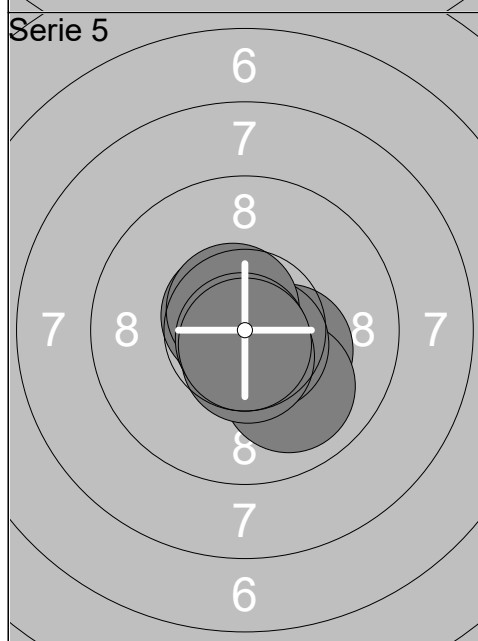
1:	10.6x ↙
2:	10.6x ↑
3:	10.2x ↙
4:	10.5x ↙
5:	9.8 →
6:	10.2x →
7:	10.5x ↗
8:	10.8x ↑
9:	10.3x ↗
10:	10.3x ↑
Series	103.8
	207.5



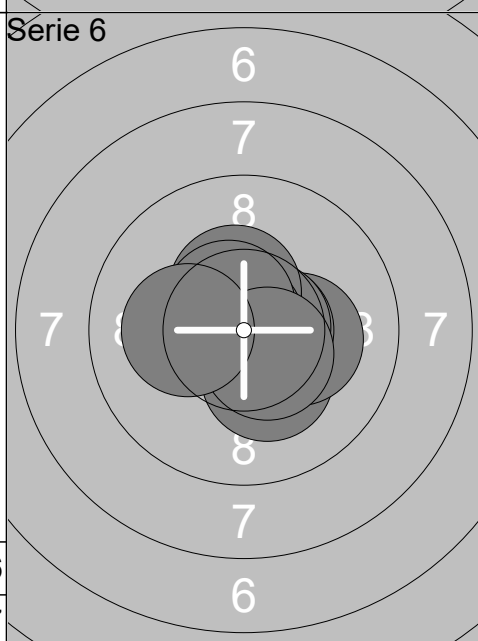
1:	10.3x ↘
2:	10.2x ↘
3:	10.6x ↗
4:	10.6x ↖
5:	10.4x ↘
6:	10.4x ↖
7:	10.4x ↗
8:	10.5x ↑
9:	10.2x →
10:	10.7x ↙
Series	104.3
	311.8



1:	10.2x →
2:	10.3x →
3:	10.7x ↘
4:	10.5x ↖
5:	10.6x →
6:	10.1 →
7:	10.5x ↘
8:	10.3x ↑
9:	10.5x ↗
10:	10.6x ↗
Series	104.3
	416.1



1:	10.8x ↙
2:	10.6x ↖
3:	10.3x →
4:	9.9 ↓
5:	10.7x ↘
6:	10.6x ↘
7:	10.6x ↗
8:	10.6x ↓
9:	10.8x ↘
10:	10.7x ↓
Series	105.6
	521.7



1:	10.2x ↘
2:	10.2x →
3:	10.6x →
4:	10.7x →
5:	10.5x ↑
6:	10.4x ↑
7:	10.8x ↖
8:	10.5x ↗
9:	10.5x ↘
10:	10.2x ←
Series	104.6
	626.3

Relay	Lane	Fatemed Karamzadeh		
2	30	Iran Shooting Federation		W
Day 1 Denmark Open Air		Day 1 Denmark Open Air 2020		Denmark Open Air 2020
14.02.2020				
Serie 1 	1: 10.1 ↓	Serie 2 	1: 10.7x ←	
	2: 10.4x →		2: 10.1 ↖	
	3: 10.5x →		3: 10.5x ↑	
	4: 10.8x →		4: 10.8x ↑	
	5: 10.5x ↗		5: 10.5x ↑	
	6: 10.8x ↖		6: 10.4x ↖	
	7: 10.7x ↗		7: 10.4x ←	
	8: 10.6x ←		8: 10.9x →	
	9: 10.3x ↖		9: 10.4x ↗	
	10: 10.2x ←		10: 10.5x →	
	Series 104.9		Series 105.2	
	104.9		210.1	
Serie 3 	1: 10.6x →	Serie 4 	1: 10.5x →	
	2: 10.6x ↖		2: 10.5x ↘	
	3: 10.8x ↓		3: 10.5x ↓	
	4: 10.2x ←		4: 10.8x ↙	
	5: 10.3x →		5: 10.6x ↓	
	6: 10.7x ←		6: 10.7x ↙	
	7: 10.1 ↖		7: 10.1 ←	
	8: 10.4x ↗		8: 10.5x ↓	
	9: 10.4x ↑		9: 10.4x ←	
	10: 10.4x →		10: 10.1 ←	
	Series 104.5		Series 104.7	
	104.5		419.3	
Serie 5 	1: 10.4x →	Serie 6 	1: 10.2x ↖	
	2: 10.4x ↓		2: 10.6x ↙	
	3: 10.6x ↙		3: 10.5x ↓	
	4: 10.3x →		4: 10.5x ↖	
	5: 10.4x ↗		5: 10.5x ↓	
	6: 10.6x ↖		6: 10.3x ↖	
	7: 10.6x →		7: 10.7x →	
	8: 10.4x ↖		8: 10.3x ↙	
	9: 10.6x ↙		9: 10.2x ←	
	10: 10.2x ↗		10: 10.4x ←	
	Series 104.5		Series 104.2	
	104.5		628.0	
523.8				