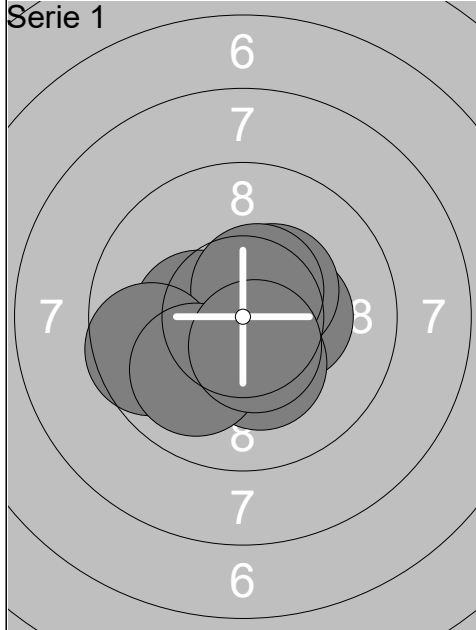


Relay	Lane	Mikkel Kannik		
Day 2 Denmark Open Air	Ølstykke Skytteforening	MJ		
15.02.2020	Day 2 Denmark Open Air 2020	Denmark Open Air 2020		
Serie 1 	1: 10.7x ←	Serie 2 	1: 9.7 ↘	
	2: 10.5x ↘		2: 9.8 ↑	
	3: 10.1 ↑		3: 8.2 ↑	
	4: 9.8 ↗		4: 9.2 ↗	
	5: 10.2x →		5: 9.0 →	
	6: 9.4 →		6: 9.6 →	
	7: 10.2x ←		7: 8.3 →	
	8: 10.0 →		8: 9.3 ↑	
	9: 8.5 ↗		9: 9.8 ↑	
	10: 9.4 ↑		10: 10.6x ↙	
	Series 98.8		Series 93.5	
	98.8		192.3	
Serie 3 	1: 9.3 ↓	Serie 4 	1: 9.1 ↘	
	2: 10.1 →		2: 9.4 ↙	
	3: 10.4x →		3: 9.6 ↓	
	4: 7.8 ↖		4: 10.2x ↘	
	5: 10.6x ↓		5: 10.2x ↖	
	6: 10.4x ↑		6: 9.7 ↗	
	7: 10.1 ↗		7: 9.5 ↑	
	8: 9.8 ↑		8: 9.9 ↓	
	9: 10.1 ←		9: 10.4x ↑	
	10: 9.1 ←		10: 9.3 →	
	Series 97.7		Series 97.3	
	290.0		387.3	
Serie 5 	1: 9.8 ←	Serie 6 	1: 8.5 ↙	
	2: 10.0 ↓		2: 7.7 ↘	
	3: 9.6 →		3: 10.0 →	
	4: 10.0 ↓		4: 9.3 ↗	
	5: 8.8 ↖		5: 9.7 ↓	
	6: 9.8 ←		6: 8.9 ↗	
	7: 10.2x ↓		7: 8.9 ↙	
	8: 9.2 ↑		8: 10.1 ↘	
	9: 9.3 ↑		9: 9.4 ↓	
	10: 10.1 ↓		10: 8.4 →	
	Series 96.8		Series 90.9	
	484.1		575.0	

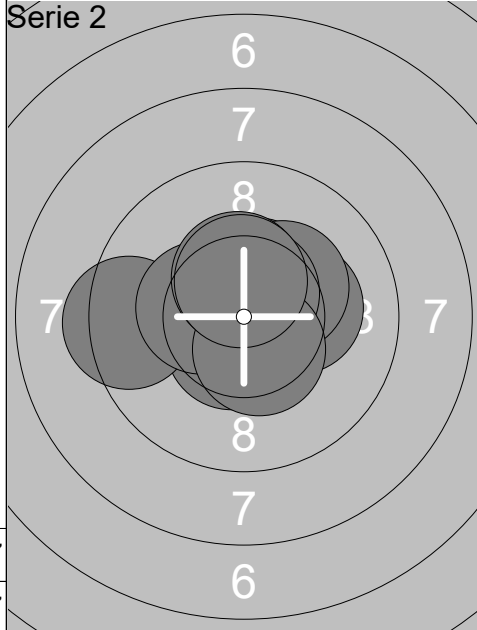
Relay 1	Lane 7	Emil L. Nielsen	
-------------------	------------------	------------------------	--

Day 2 Denmark Open Air	Aalborg Skyttekreds	MJ	
------------------------	---------------------	----	--

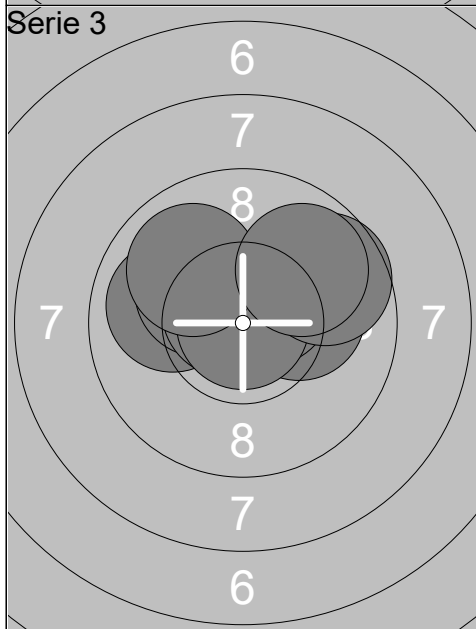
15.02.2020	Day 2 Denmark Open Air 2020	Denmark Open Air 2020	
------------	-----------------------------	-----------------------	--



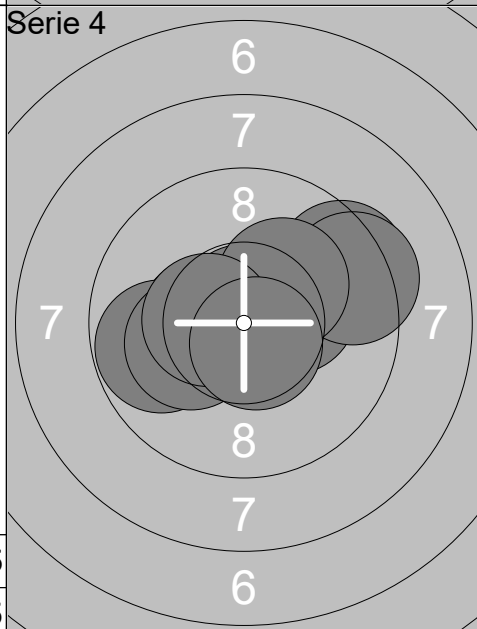
1:	10.4x ↙
2:	10.3x →
3:	10.5x ↓
4:	10.2x ↓
5:	10.4x ↗
6:	10.3x ←
7:	10.5x ↗
8:	9.6 ←
9:	10.0 ↓
10:	10.5x ↓
Series	102.7
	102.7



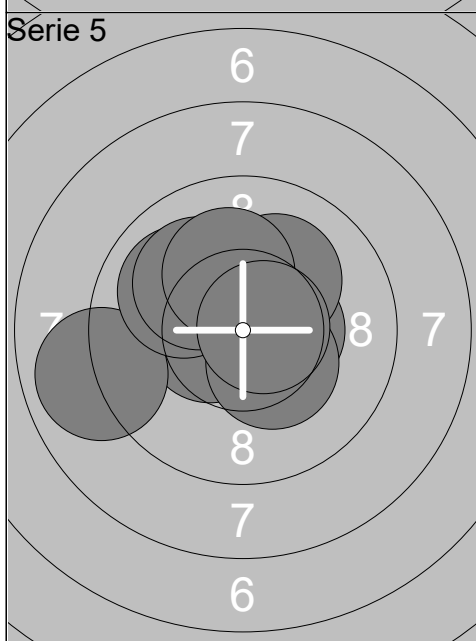
1:	10.5x ↓
2:	10.2x →
3:	9.4 ←
4:	10.5x ↗
5:	10.4x ←
6:	10.3x ↗
7:	10.6x ↗
8:	10.5x ↓
9:	10.4x ↑
10:	10.5x ↑
Series	103.3
	206.0



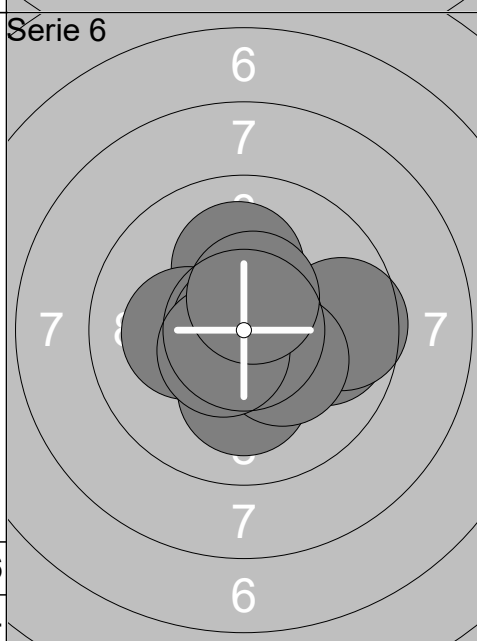
1:	9.9 ←
2:	10.2x →
3:	10.8x ↗
4:	10.2x ↖
5:	10.5x ↗
6:	10.7x ↖
7:	10.9x
8:	9.9 ↖
9:	9.6 ↗
10:	9.8 ↗
Series	102.5
	308.5



1:	9.4 ↗
2:	10.4x ←
3:	10.2x →
4:	10.8x ↑
5:	9.8 ←
6:	9.3 →
7:	10.2x ←
8:	10.2x ↗
9:	10.4x ←
10:	10.6x ↓
Series	101.3
	409.8



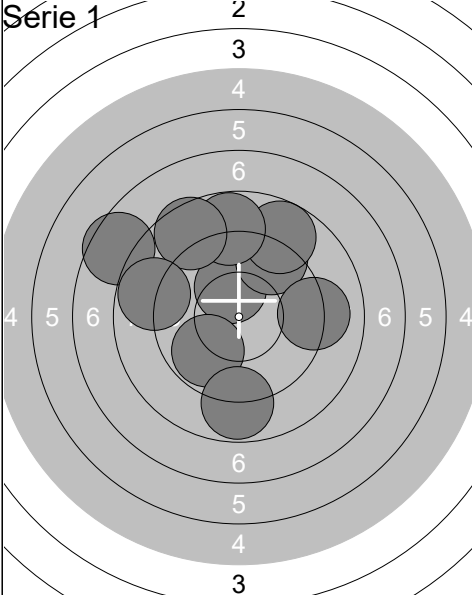
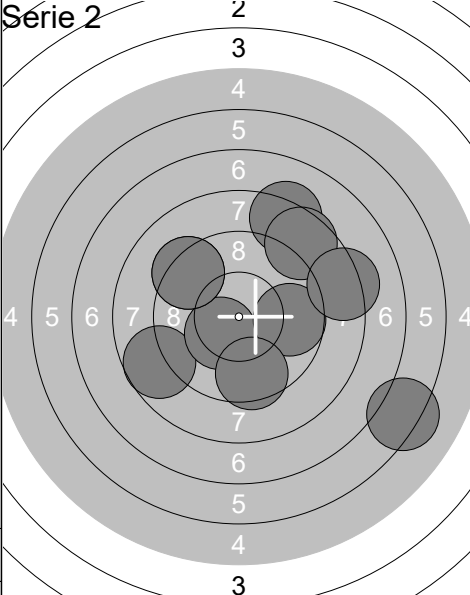
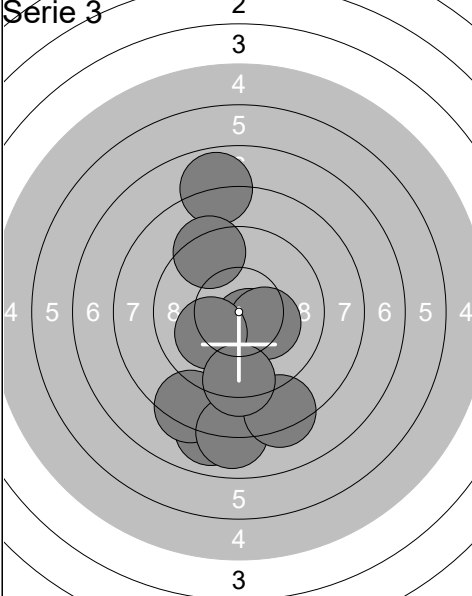
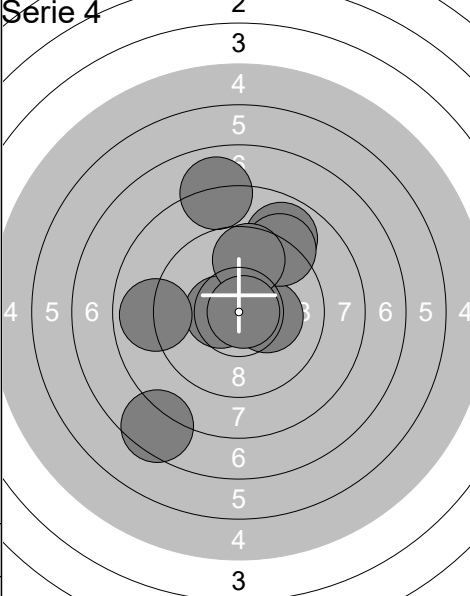
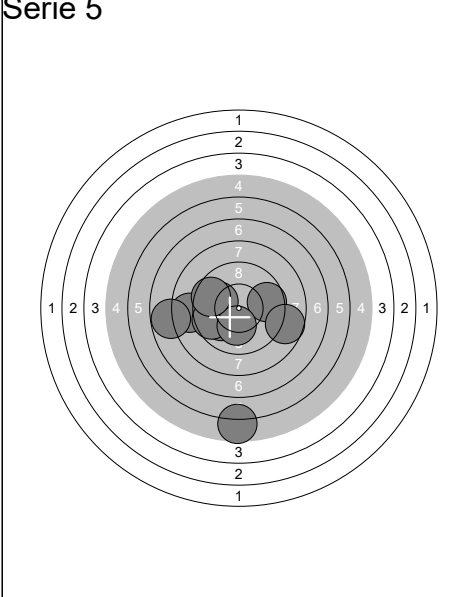
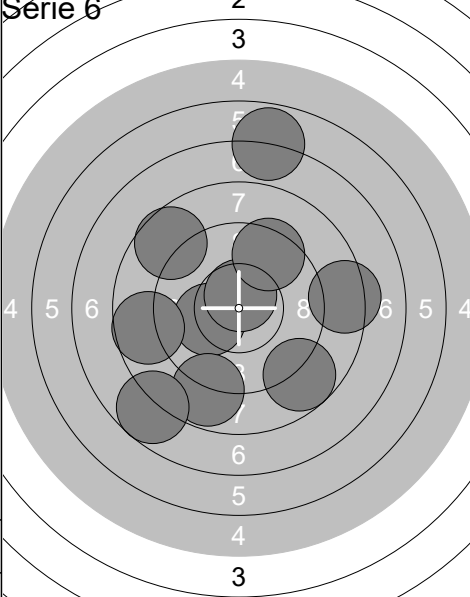
1:	10.5x ←
2:	8.9 ←
3:	10.5x ↗
4:	10.4x →
5:	10.3x ↓
6:	10.0 ↖
7:	10.1 ↖
8:	10.1 ↗
9:	10.1 ↑
10:	10.7x →
Series	101.6
	511.4

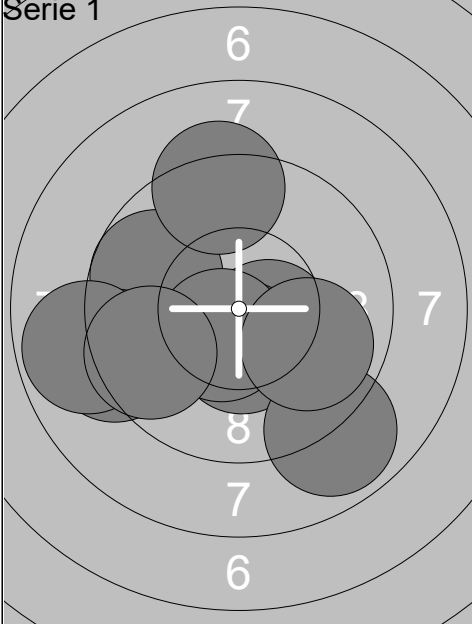
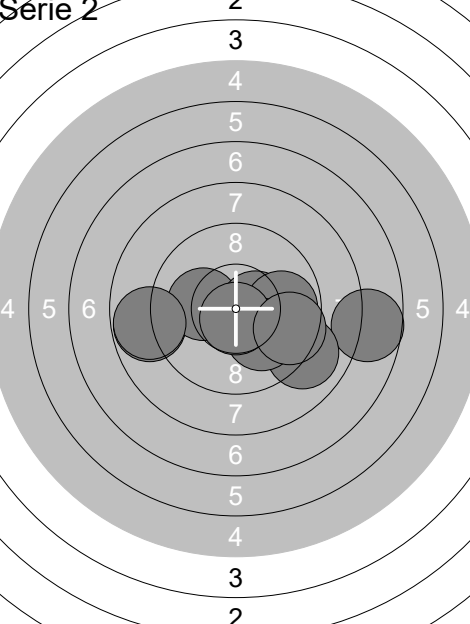
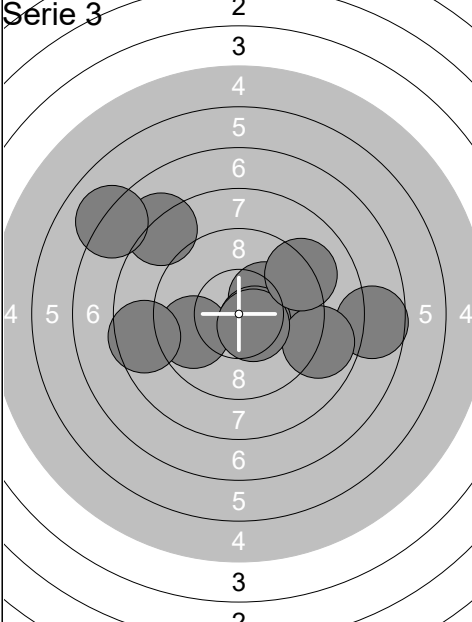
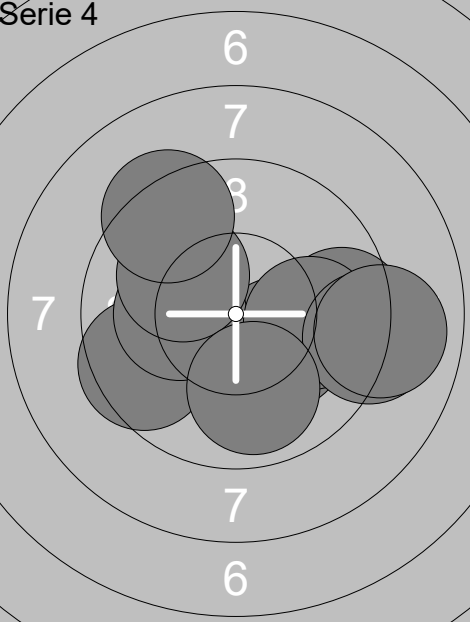
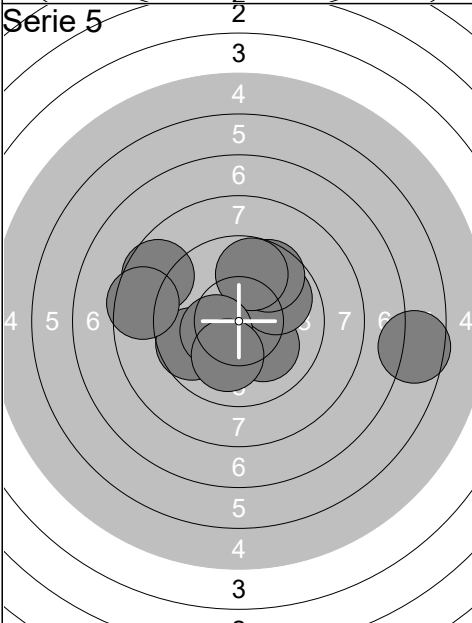
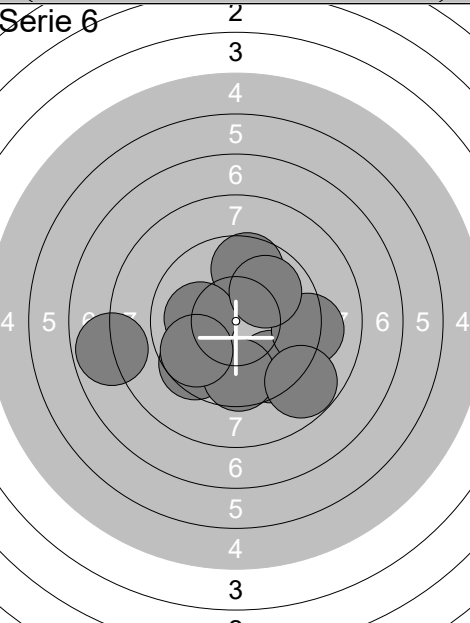


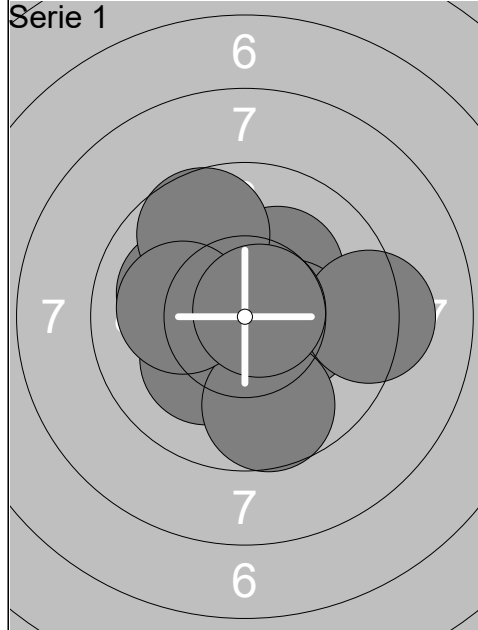
1:	9.8 →
2:	10.1 ↑
3:	10.2x ←
4:	10.1 ↓
5:	10.8x ↖
6:	10.7x →
7:	9.6 →
8:	10.3x ↓
9:	10.5x ↙
10:	10.5x ↑
Series	102.6
	614.0

Relay	Lane	Jens-Ulrik Ladekjær-Mikkelsen			
1	8	BPI		MJ	
Day 2 Denmark Open Air		Day 2 Denmark Open Air 2020		Denmark Open Air 2020	
15.02.2020					
Série 1 	2	1: 9.5 ↘	Série 2 	2	1: 9.8 ↗
	3	2: 10.4x ↙		3	2: 8.1 ↗
4	3: 10.3x ↓	4	3: 9.7 ↘	4	3: 9.7 ↘
5	4: 10.8x ↓	5	4: 10.1 ↖	5	4: 9.7 ↑
6	5: 7.9 ↙	6	5: 10.2x ←	6	5: 10.1 ↖
7	6: 9.5 ↑	7	6: 9.9 ↓	7	6: 9.9 ↓
7	7: 10.2x ←	7	7: 9.7 →	7	7: 9.7 →
6	8: 10.1 ↖	8	8: 9.7 ↘	8	8: 9.7 ↘
5	9: 10.0 ↓	9	9: 9.9 ↘	9	9: 9.9 ↘
4	10: 9.8 ↗	10	10: 10.7x →	10	10: 10.7x →
3	Series 98.5	Series 97.3	Series 97.3	Series 97.3	Series 97.3
2	98.5	195.8	195.8	195.8	195.8
Série 3 	6	1: 9.9 →	Série 4 	6	1: 10.3x ↗
	7	2: 10.3x ↙		7	2: 10.4x ↙
8	3: 10.1 ←	8	3: 10.7x →	8	3: 10.7x →
7	4: 10.3x ↙	7	4: 9.6 ←	7	4: 9.6 ←
8	5: 10.0 ↖	8	5: 9.9 ↑	8	5: 9.9 ↑
7	6: 9.5 ↗	7	6: 10.6x →	7	6: 10.6x →
8	7: 10.6x →	8	7: 10.0 →	8	7: 10.0 →
7	8: 10.5x ↗	7	8: 10.2x ↙	7	8: 10.2x ↙
6	9: 9.4 →	8	9: 10.0 →	8	9: 10.0 →
6	10: 9.3 →	7	10: 10.6x ↓	7	10: 10.6x ↓
6	Series 99.9	Series 102.3	Series 102.3	Series 102.3	Series 102.3
6	295.7	398.0	398.0	398.0	398.0
Série 5 	2	1: 9.6 ←	Série 6 	6	1: 10.1 ↑
	3	2: 9.4 ←		7	2: 9.3 ↗
4	3: 10.5x ↘	8	3: 10.2x →	8	3: 10.2x →
5	4: 10.3x ↑	7	4: 9.5 ↘	7	4: 9.5 ↘
6	5: 10.3x ↑	6	5: 9.4 ↓	6	5: 9.4 ↓
7	6: 9.5 →	5	6: 10.3x →	5	6: 10.3x →
8	7: 10.7x ↓	4	7: 9.9 ↓	4	7: 9.9 ↓
8	8: 8.5 →	3	8: 10.1 ↖	3	8: 10.1 ↖
7	9: 10.3x ↗	2	9: 8.7 ↗	2	9: 8.7 ↗
6	10: 10.8x ↗	1	10: 10.2x →	1	10: 10.2x →
4	Series 99.9	Series 97.7	Series 97.7	Series 97.7	Series 97.7
3	497.9	595.6	595.6	595.6	595.6

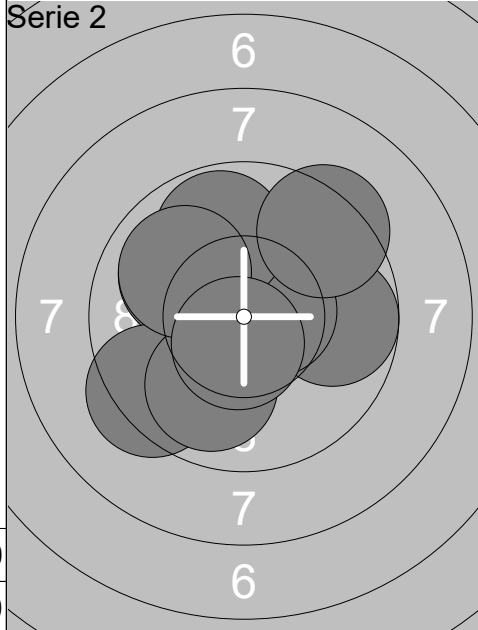
Relay	Lane	Bjørn Voigt	
1	10		
Day 2 Denmark Open Air		Randers Skyttekreds	MJ
15.02.2020		Day 2 Denmark Open Air 2020	Denmark Open Air 2020
Serie 1		1: 10.4x ↗ 2: 10.0 ↖ 3: 10.5x ↓ 4: 10.0 ← 5: 10.2x ← 6: 10.1 → 7: 10.4x ← 8: 9.7 ↖ 9: 10.7x ↓ 10: 10.5x → Series 102.5 102.5	Serie 2 1: 10.3x ↓ 2: 10.6x ← 3: 9.7 ← 4: 9.3 ← 5: 10.3x ↗ 6: 10.2x ↗ 7: 10.2x ← 8: 10.0 → 9: 9.2 → 10: 9.8 ↗ Series 99.6 202.1
Serie 3		1: 9.5 → 2: 9.6 ↖ 3: 9.8 ↓ 4: 10.4x → 5: 10.4x ↑ 6: 10.3x ↓ 7: 9.9 ↓ 8: 10.4x ↓ 9: 9.6 ← 10: 10.8x ↑ Series 100.7 302.8	Serie 4 1: 10.2x ↑ 2: 10.0 ↑ 3: 9.7 ↖ 4: 9.7 ↓ 5: 10.6x ↑ 6: 10.4x → 7: 9.9 ← 8: 10.4x ← 9: 10.1 ← 10: 10.4x ↗ Series 101.4 404.2
Serie 5		1: 10.2x ↗ 2: 10.0 ↓ 3: 10.7x ← 4: 9.7 ← 5: 9.0 ↗ 6: 9.9 → 7: 10.7x ↓ 8: 10.5x ↗ 9: 10.0 ← 10: 9.4 ↓ Series 100.1 504.3	Serie 6 1: 9.9 ← 2: 9.5 → 3: 10.3x → 4: 10.6x ↑ 5: 10.3x ↓ 6: 10.8x ↖ 7: 9.5 ↓ 8: 9.7 → 9: 10.6x ↗ 10: 9.3 ← Series 100.5 604.8

Relay	Lane	Kasper Lousdal		
Day 2 Denmark Open Air	Boddum-Ydby Skytteforening	MJ		
15.02.2020	Day 2 Denmark Open Air 2020	Denmark Open Air 2020		
Série 1		1: 10.2x ↑ 2: 7.5 ↖ 3: 9.3 ↗ 4: 8.7 ↗ 5: 8.8 ↑ 6: 8.5 ↖ 7: 9.1 → 8: 9.8 ↘ 9: 8.8 ← 10: 8.8 ↓ Series 89.5 89.5	Série 2 	1: 8.7 ↖ 2: 10.3x ↖ 3: 9.3 ↖ 4: 9.3 ↖ 5: 9.7 → 6: 6.2 ↘ 7: 8.2 ↗ 8: 8.6 ↗ 9: 9.5 ↓ 10: 8.2 → Series 88.0 177.5
Série 3		1: 8.0 ↓ 2: 10.5x ↘ 3: 8.3 ↘ 4: 7.8 ↑ 5: 7.9 ↓ 6: 8.3 ↘ 7: 10.2x → 8: 10.1 ← 9: 9.3 ↓ 10: 9.3 ↗ Series 89.7 267.2	Série 4 	1: 8.9 ↗ 2: 8.0 ↑ 3: 10.4x → 4: 10.3x → 5: 7.5 ↘ 6: 9.1 ↗ 7: 10.5x ← 8: 9.6 ↑ 9: 10.8x → 10: 8.9 ← Series 94.0 361.2
Série 5		1: 9.9 ↖ 2: 9.6 → 3: 8.7 → 4: 9.9 ↖ 5: 8.7 ← 6: 9.6 ← 7: 10.1 ↓ 8: 5.6 ↓ 9: 7.8 ← 10: 9.5 ↖ Series 89.4 450.6	Série 6 	1: 10.2x ← 2: 8.6 ↖ 3: 8.3 → 4: 8.8 ↓ 5: 6.8 ↑ 6: 8.6 ← 7: 10.6x ↑ 8: 9.4 ↗ 9: 7.7 ↘ 10: 8.7 ↘ Series 87.7 538.3

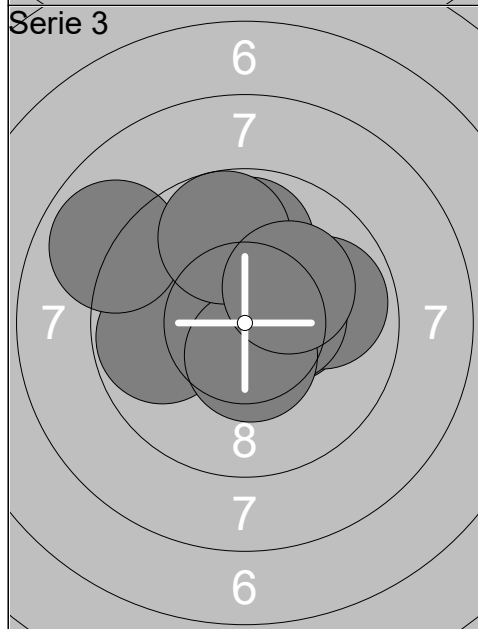
Relay	Lane			
1	12	Kristoffer Kvorning		
Day 2 Denmark Open Air	Viborg Skytte Forening	MJ		
15.02.2020	Day 2 Denmark Open Air 2020	Denmark Open Air 2020		
Serie 1 	1: 10.5x ↘	Serie 2 	1: 8.8 ←	
	2: 9.7 ←		2: 7.7 →	
	3: 10.4x ↓		3: 10.1 ←	
	4: 9.1 ←		4: 10.5x →	
	5: 8.8 ←		5: 9.0 ↘	
	6: 10.5x ↘		6: 8.8 ←	
	7: 9.6 ←		7: 9.8 →	
	8: 8.9 ↘		8: 10.0 ↘	
	9: 9.3 ↑		9: 10.7x ↓	
	10: 9.9 ↘		10: 9.5 ↘	
	Series 96.7		Series 94.9	
	96.7		191.6	
Serie 3 	1: 8.1 ↗	Serie 4 	1: 10.2x ↘	
	2: 7.7 →		2: 9.5 ←	
	3: 10.2x ↗		3: 10.2x ←	
	4: 10.5x ↘		4: 10.0 ↗	
	5: 8.8 →		5: 9.5 →	
	6: 7.1 ↗		6: 9.9 →	
	7: 9.7 ←		7: 9.3 ↗	
	8: 10.5x ↘		8: 9.1 →	
	9: 8.5 ←		9: 9.9 ↓	
	10: 9.1 ↗		10: 9.0 →	
	Series 90.2		Series 96.6	
	281.8		378.4	
Serie 5 	1: 8.7 ←	Serie 6 	1: 9.5 ↘	
	2: 10.1 ↘		2: 9.2 →	
	3: 9.6 ←		3: 9.5 ↘	
	4: 8.5 ←		4: 9.6 ↑	
	5: 9.8 ↗		5: 10.0 ←	
	6: 9.6 ↗		6: 7.8 ←	
	7: 6.6 →		7: 9.6 ↓	
	8: 9.7 ↑		8: 9.9 ↗	
	9: 10.3x ←		9: 8.7 ↘	
	10: 10.1 ↓		10: 9.7 ←	
	Series 93.0		Series 93.5	
	471.4		564.9	



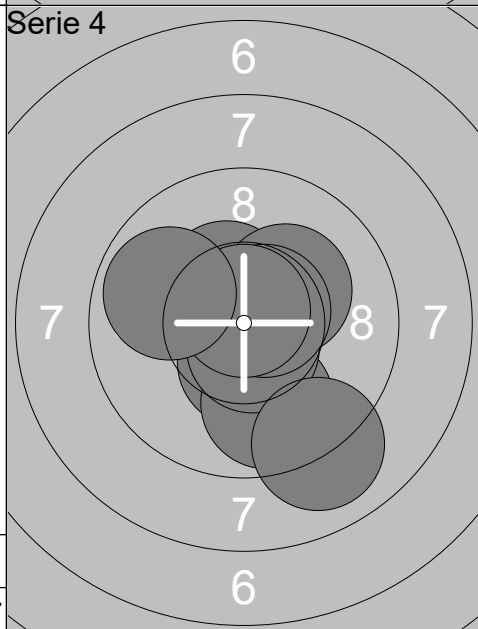
1:	10.0	←
2:	10.0	↖
3:	10.2x	↗
4:	10.1	↙
5:	10.3x	→
6:	9.7	↓
7:	9.2	→
8:	9.7	↖
9:	10.1	←
10:	10.7x	→
Series	100.0	
	100.0	



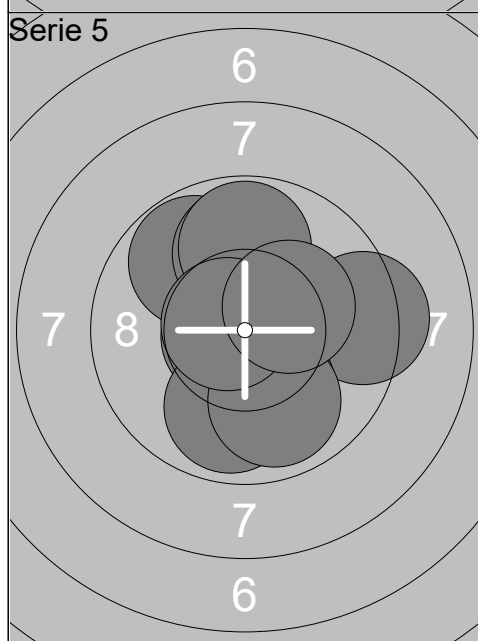
1:	9.7	→
2:	10.7x	↗
3:	9.9	↖
4:	9.3	↙
5:	9.9	↓
6:	10.5x	→
7:	9.8	↑
8:	9.9	↖
9:	9.3	↗
10:	10.6x	↓
Series	99.6	
	199.6	



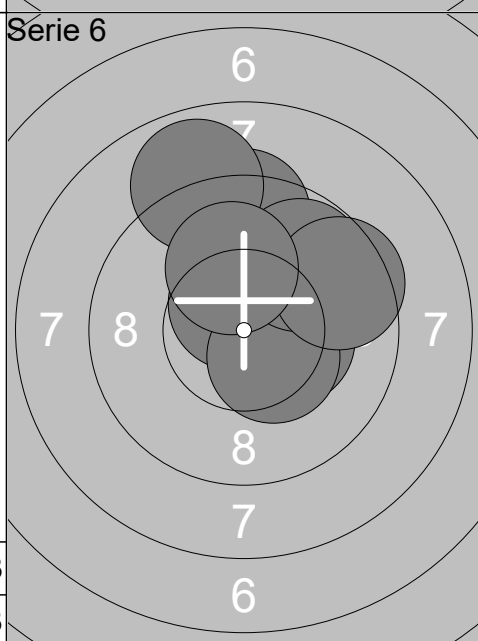
1:	10.4x	→
2:	9.8	↑
3:	10.5x	↖
4:	9.8	←
5:	8.9	↖
6:	9.9	→
7:	10.4x	→
8:	10.5x	↓
9:	9.7	↑
10:	10.2x	↗
Series	100.1	
	299.7	



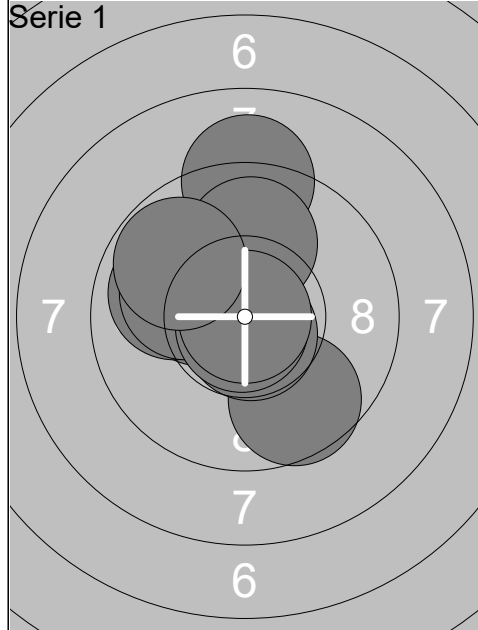
1:	10.6x	↓
2:	10.4x	↓
3:	9.8	↓
4:	10.6x	↓
5:	10.4x	↖
6:	9.0	↓
7:	10.2x	↗
8:	10.6x	↗
9:	10.8x	↑
10:	9.9	↖
Series	102.3	
	402.0	



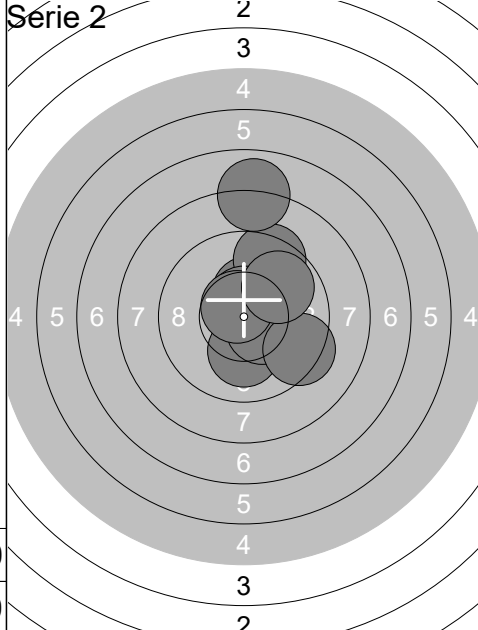
1:	9.8	↖
2:	9.9	↑
3:	9.3	→
4:	10.1	↓
5:	10.7x	↖
6:	9.9	↓
7:	9.8	↑
8:	9.9	↓
9:	10.7x	↖
10:	10.2x	↗
Series	100.3	
	502.3	



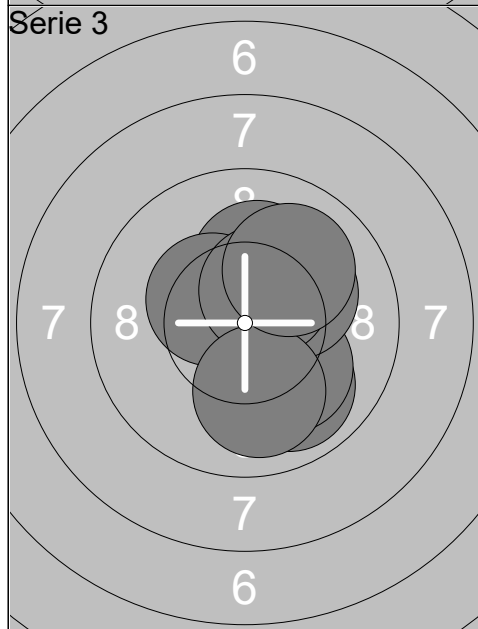
1:	9.9	↑
2:	10.4x	→
3:	9.4	↑
4:	10.6x	↑
5:	10.3x	→
6:	10.4x	↘
7:	9.8	↗
8:	9.5	↗
9:	8.9	↑
10:	10.1	↑
Series	99.3	
	601.6	



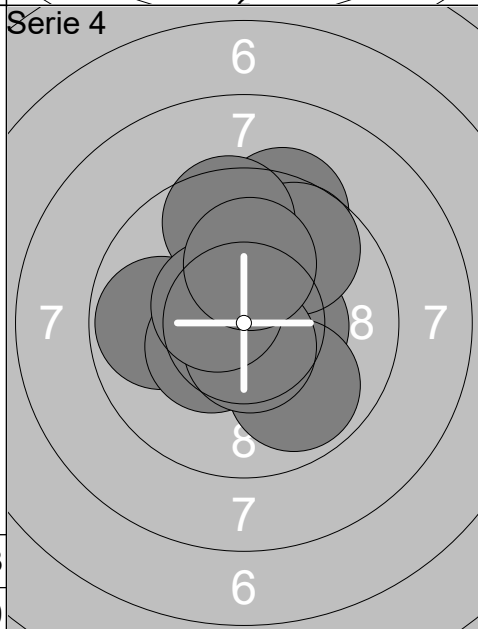
1:	10.3x	↖
2:	9.1	↑
3:	9.6	↘
4:	9.9	↖
5:	10.7x	↘
6:	10.0	↖
7:	9.9	↑
8:	10.8x	↘
9:	10.9x	
10:	9.8	↖
Series		101.0
		101.0



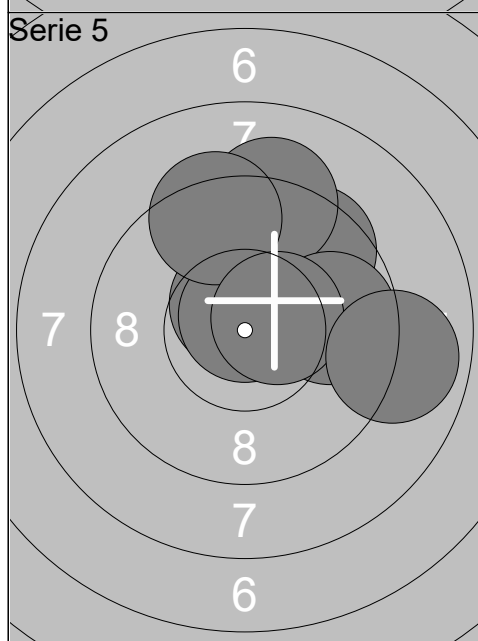
1:	10.3x	↑
2:	10.3x	↗
3:	9.4	↗
4:	10.1	↓
5:	10.6x	↑
6:	10.4x	↘
7:	7.9	↑
8:	9.3	↘
9:	10.6x	↖
10:	9.8	↗
Series		98.7
		199.7



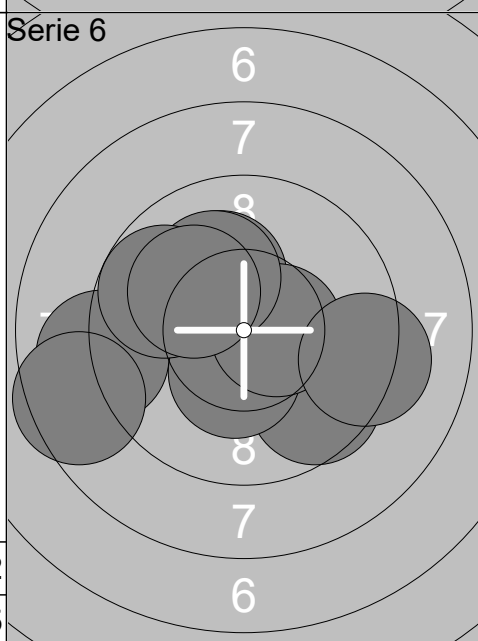
1:	9.9	↘
2:	10.4x	↑
3:	10.8x	→
4:	10.1	↘
5:	10.1	↑
6:	10.4x	↖
7:	10.2x	↗
8:	10.4x	↗
9:	10.0	↓
10:	10.0	↗
Series		102.3
		302.0



1:	10.4x	→
2:	9.8	←
3:	9.4	↗
4:	9.7	↗
5:	9.8	↘
6:	9.6	↑
7:	10.4x	↖
8:	10.6x	↓
9:	10.5x	↖
10:	10.1	↑
Series		100.3
		402.3

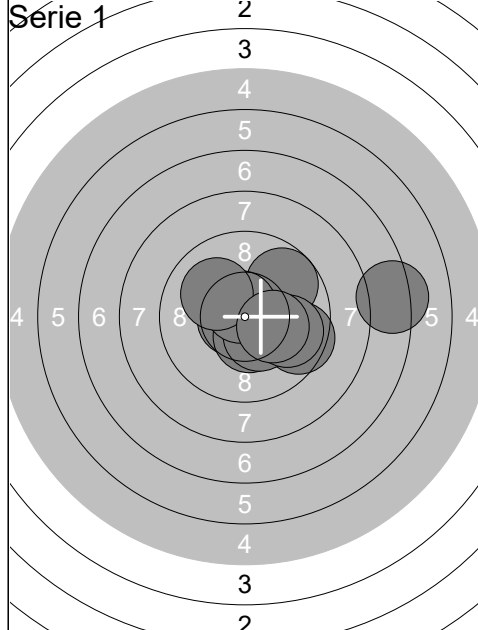


1:	10.2x	↑
2:	9.5	↗
3:	10.4x	↑
4:	10.6x	↑
5:	10.7x	↑
6:	9.2	↑
7:	9.8	→
8:	9.4	↑
9:	10.5x	→
10:	8.9	→
Series		99.2
		501.5

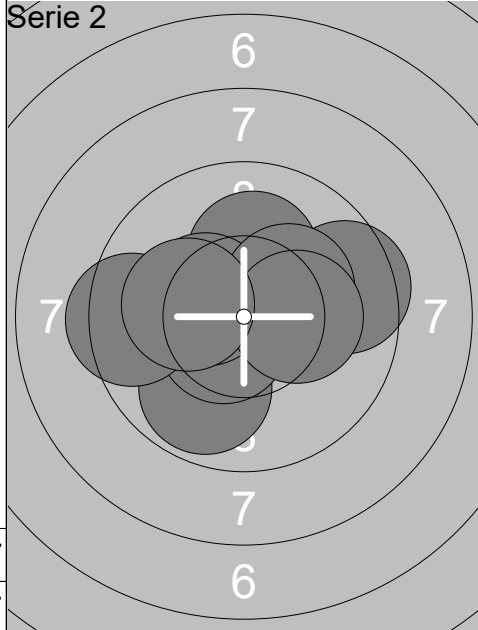


1:	9.6	↘
2:	10.3x	↓
3:	10.2x	↗
4:	10.5x	→
5:	9.0	←
6:	10.1	↗
7:	9.7	↖
8:	9.2	→
9:	8.5	←
10:	10.1	↖
Series		97.2
		598.7

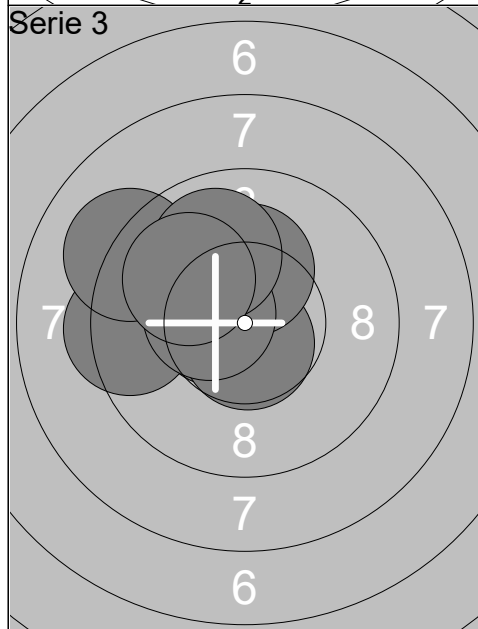
Relay	Lane	Peter A. Sørensen		
Day 2 Denmark Open Air	Aalborg Skyttekreds	MJ		
15.02.2020	Day 2 Denmark Open Air 2020	Denmark Open Air 2020		
Serie 1 	1: 9.7 ←	Serie 2 	1: 9.6 ↗	
	2: 9.4 ↖		2: 10.7x ↓	
	3: 9.9 ↓		3: 10.2x ↑	
	4: 10.3x ↙		4: 10.0 ↗	
	5: 9.1 ↖		5: 9.7 ↓	
	6: 10.5x ↓		6: 9.5 ↘	
	7: 9.9 →		7: 9.9 ↘	
	8: 9.8 ↓		8: 10.6x ↑	
	9: 10.1 ↗		9: 10.3x ↘	
	10: 9.8 ↗		10: 10.1 ↗	
	Series 98.5		Series 100.6	
	98.5		199.1	
Serie 3 	1: 9.8 ↗	Serie 4 	1: 9.3 ←	
	2: 10.3x ↓		2: 10.1 ↓	
	3: 10.2x ↙		3: 10.3x ↙	
	4: 10.5x ↓		4: 10.0 ↘	
	5: 9.3 ↓		5: 9.5 ←	
	6: 10.1 ↗		6: 9.5 ↑	
	7: 10.0 →		7: 10.0 ↘	
	8: 10.7x ↗		8: 10.1 →	
	9: 10.3x →		9: 10.2x ↘	
	10: 9.9 ↓		10: 10.1 ←	
	Series 101.1		Series 99.1	
	300.2		399.3	
Serie 5 	1: 10.3x →	Serie 6 	1: 10.1 →	
	2: 10.1 ↓		2: 10.2x →	
	3: 9.3 ←		3: 9.9 ↘	
	4: 9.8 ↑		4: 10.4x ↑	
	5: 9.1 ↘		5: 10.1 ↘	
	6: 9.9 ↖		6: 10.2x ↑	
	7: 10.4x ↑		7: 10.2x ↓	
	8: 9.1 ↑		8: 10.8x ↙	
	9: 9.7 →		9: 9.7 ↓	
	10: 9.8 ↘		10: 10.0 ↙	
	Series 97.5		Series 101.6	
	496.8		598.4	



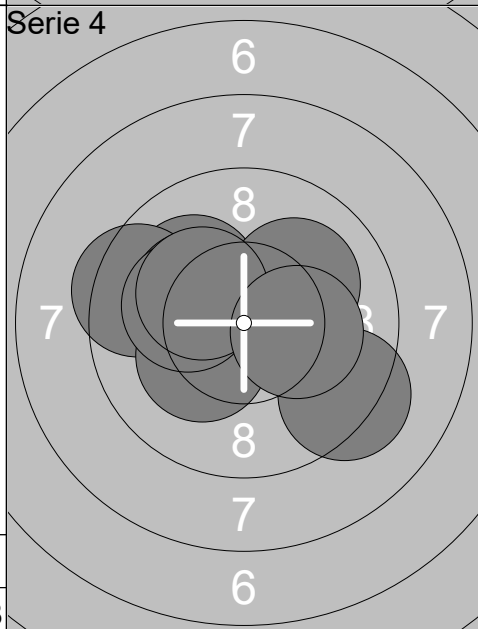
1:	9.7 ↗
2:	9.5 ➔
3:	10.7x ←
4:	10.4x ↓
5:	10.4x ↓
6:	10.7x ↗
7:	10.0 ↗
8:	9.8 ➔
9:	10.2x ➔
10:	7.3 ➔
Series	98.7
	98.7



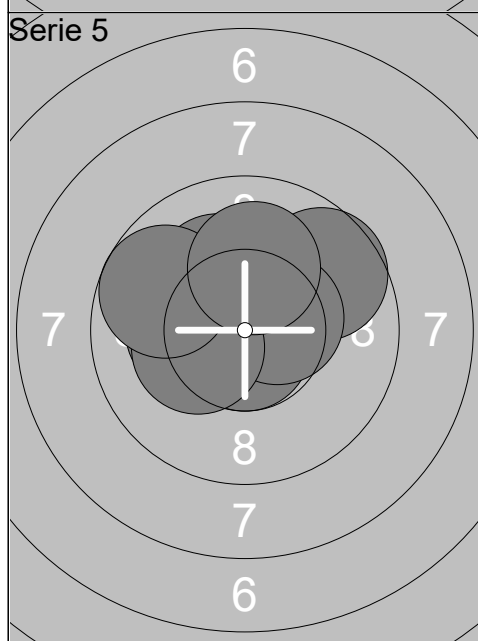
1:	10.8x ↙
2:	9.8 ↓
3:	10.1 ↑
4:	10.5x ↙
5:	9.5 ➔
6:	10.3x ↙
7:	9.4 ←
8:	10.2x ↗
9:	10.2x ➔
10:	10.2x ↙
Series	101.0
	199.7



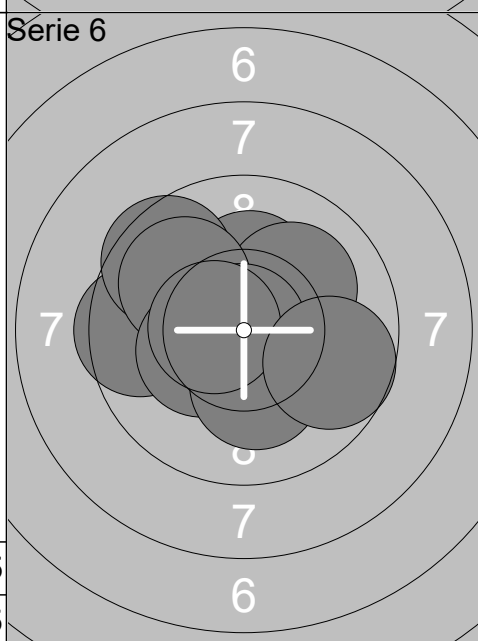
1:	10.6x ↙
2:	10.6x ↙
3:	9.4 ←
4:	10.6x ↓
5:	10.3x ↙
6:	10.2x ↑
7:	10.4x ↙
8:	9.1 ↙
9:	9.9 ↗
10:	10.0 ↙
Series	101.1
	300.8



1:	10.1 ↙
2:	9.3 ↓
3:	10.3x ↙
4:	9.4 ←
5:	10.2x ↙
6:	10.2x ↙
7:	10.1 ←
8:	10.1 ↗
9:	10.3x ↙
10:	10.2x ➔
Series	100.2
	401.0

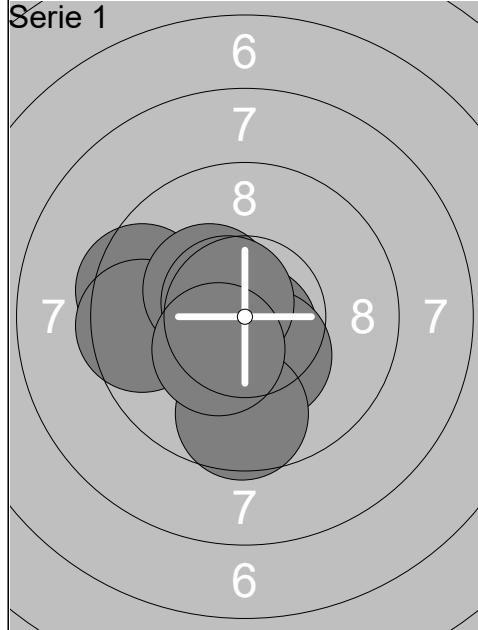


1:	10.8x ↙
2:	9.6 ↗
3:	10.1 ↙
4:	10.2x ↙
5:	10.7x ↓
6:	10.6x ↙
7:	10.4x ➔
8:	10.3x ↙
9:	9.7 ↙
10:	10.1 ↑
Series	102.5
	503.5

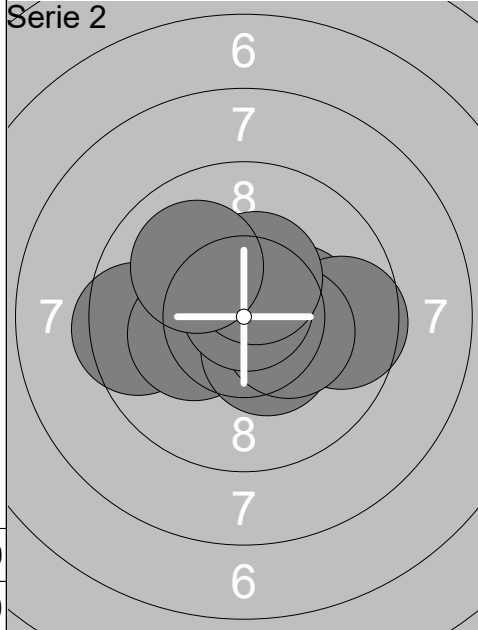


1:	9.5 ←
2:	10.2x ↑
3:	9.5 ↙
4:	10.1 ↗
5:	9.9 ↙
6:	10.3x ↙
7:	10.9x ↙
8:	10.2x ↓
9:	10.5x ↙
10:	9.7 ➔
Series	100.8
	604.3

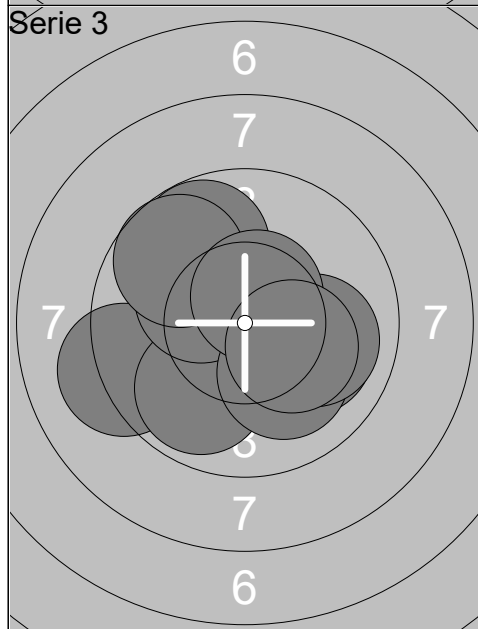
Relay	Lane	Jonas Andersen		
1	18	Day 2 Denmark Open Air	Trehøje Skytteforening	MJ
15.02.2020	Day 2 Denmark Open Air 2020	Denmark Open Air 2020		
Serie 1 	1: 10.2x →	Serie 2 	1: 9.6 ↖	
	2: 9.9 →		2: 10.5x ↑	
	3: 10.4x ↓		3: 9.9 ↗	
	4: 10.2x ←		4: 10.1 →	
	5: 9.7 ←		5: 10.7x ↙	
	6: 10.3x →		6: 10.4x ←	
	7: 10.9x ←		7: 10.4x ↓	
	8: 9.8 →		8: 9.9 ↓	
	9: 10.4x ←		9: 10.6x ↓	
	10: 10.4x ↙		10: 10.6x ↗	
	Series 102.2		Series 102.7	
	102.2		204.9	
Serie 3 	1: 10.0 ↓	Serie 4 	1: 9.8 ←	
	2: 10.4x ↓		2: 10.1 →	
	3: 8.1 ↗		3: 10.7x ←	
	4: 9.9 ↗		4: 10.3x ↗	
	5: 9.8 ←		5: 9.7 →	
	6: 10.4x ↑		6: 10.6x →	
	7: 10.2x ↗		7: 10.3x ↓	
	8: 9.8 ←		8: 10.3x ↓	
	9: 9.8 ↓		9: 10.2x ↙	
	10: 9.9 ←		10: 10.4x ↗	
	Series 98.3		Series 102.4	
	303.2		405.6	
Serie 5 	1: 9.9 ↙	Serie 6 	1: 10.6x ↙	
	2: 10.4x →		2: 10.0 ↓	
	3: 10.7x →		3: 10.5x ↑	
	4: 10.3x ↓		4: 10.0 →	
	5: 10.7x ↗		5: 10.8x ←	
	6: 10.1 ←		6: 10.3x ↗	
	7: 10.3x ↑		7: 8.3 ←	
	8: 9.9 ↗		8: 10.2x ↗	
	9: 8.6 ←		9: 10.6x ↓	
	10: 10.1 ↙		10: 9.7 ←	
	Series 101.0		Series 101.0	
	506.6		607.6	



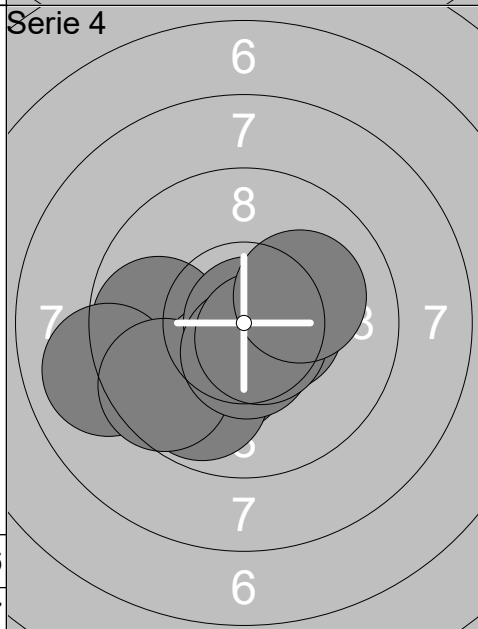
1:	9.5	←
2:	9.5	←
3:	10.8x	←
4:	10.7x	↓
5:	10.3x	↓
6:	10.3x	↓
7:	10.3x	↖
8:	9.6	↓
9:	10.6x	↖
10:	10.4x	↙
Series	102.0	
	102.0	



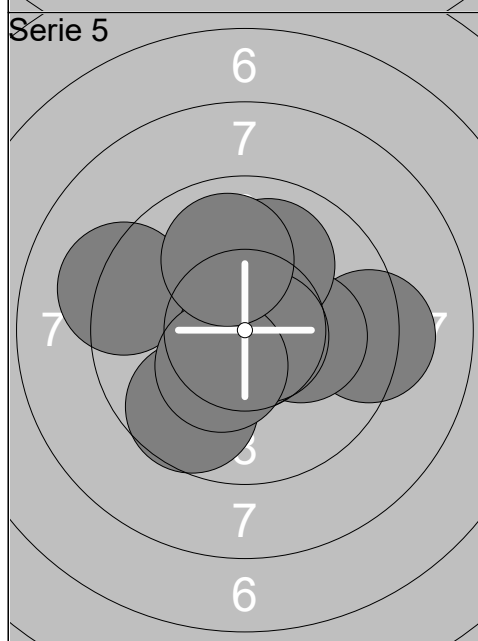
1:	9.5	←
2:	10.2x	←
3:	10.3x	→
4:	9.6	→
5:	10.6x	→
6:	10.4x	↘
7:	10.3x	→
8:	10.8x	↑
9:	10.4x	↑
10:	10.0	↖
Series	102.1	
	204.1	



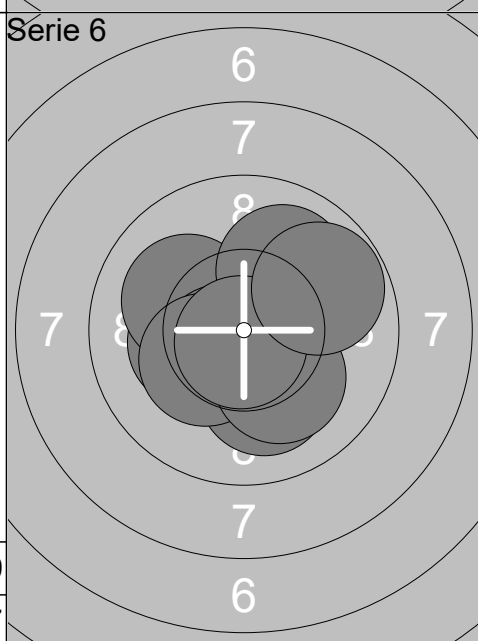
1:	9.8	↖
2:	9.2	←
3:	9.9	↓
4:	10.2x	↖
5:	10.0	→
6:	10.1	↓
7:	9.7	↗
8:	10.0	→
9:	10.5x	↑
10:	10.2x	↘
Series	99.6	
	303.7	



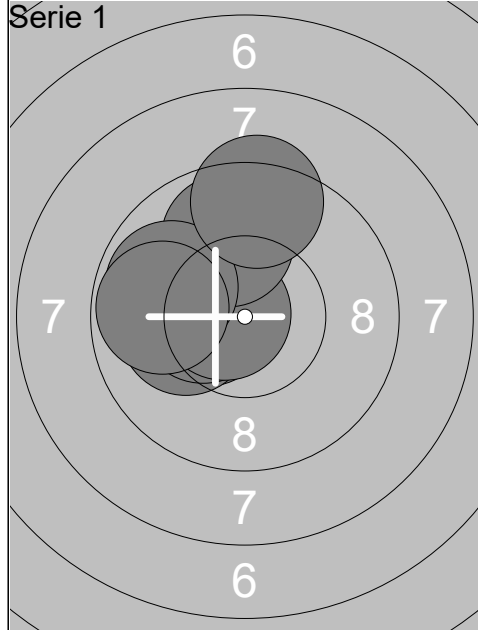
1:	9.8	←
2:	9.0	←
3:	10.3x	↓
4:	9.8	↓
5:	10.5x	→
6:	9.6	↙
7:	10.9x	→
8:	10.5x	↓
9:	10.6x	↘
10:	10.1	↗
Series	101.1	
	404.8	



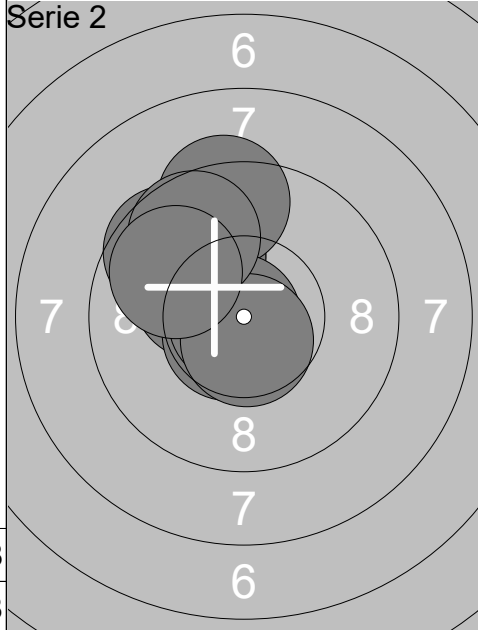
1:	9.3	→
2:	9.6	↘
3:	9.2	←
4:	10.9x	↓
5:	10.2x	→
6:	10.7x	↓
7:	10.0	↑
8:	10.7x	→
9:	10.3x	↘
10:	10.0	↑
Series	100.9	
	505.7	



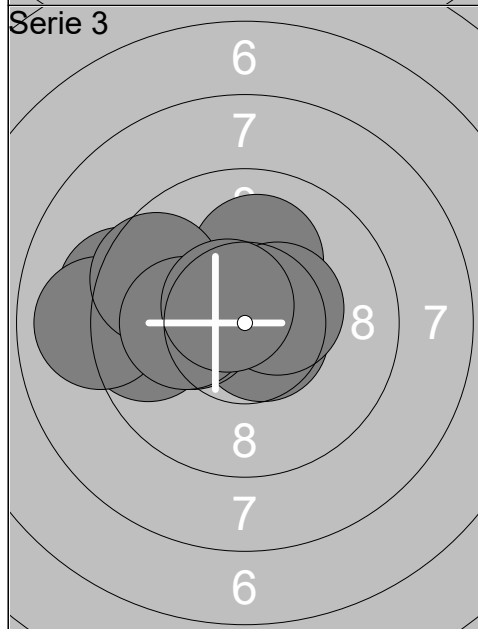
1:	10.2x	←
2:	10.4x	←
3:	10.1	↓
4:	10.1	↖
5:	10.0	↗
6:	10.5x	↙
7:	10.3x	↙
8:	10.1	↓
9:	10.7x	↓
10:	9.8	↗
Series	102.2	
	607.9	



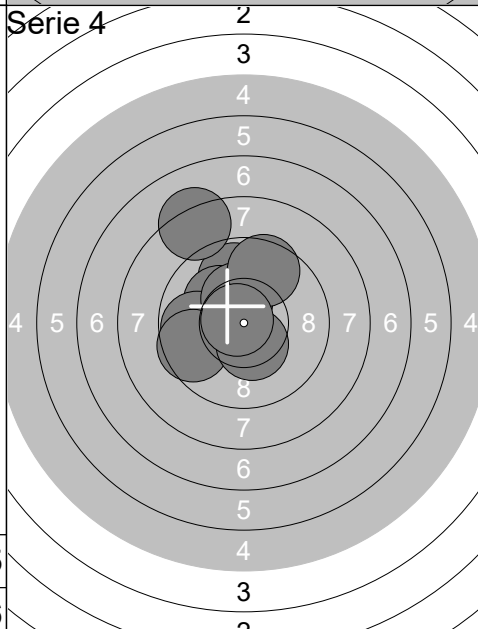
1:	10.4x ←
2:	10.1 ←
3:	10.1 ←
4:	10.3x ←
5:	10.4x ←
6:	10.7x ←
7:	9.8 ↑
8:	9.8 ←
9:	9.4 ↑
10:	9.8 ←
Series	100.8
	100.8



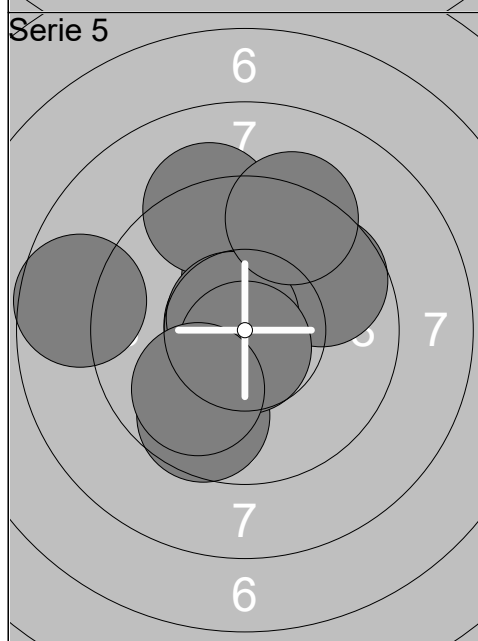
1:	9.9 ↗
2:	9.9 ↗
3:	9.3 ↑
4:	9.6 ↗
5:	10.2x ↖
6:	10.6x ↘
7:	10.8x ←
8:	10.6x ↓
9:	9.6 ↗
10:	9.8 ↖
Series	100.3
	201.1



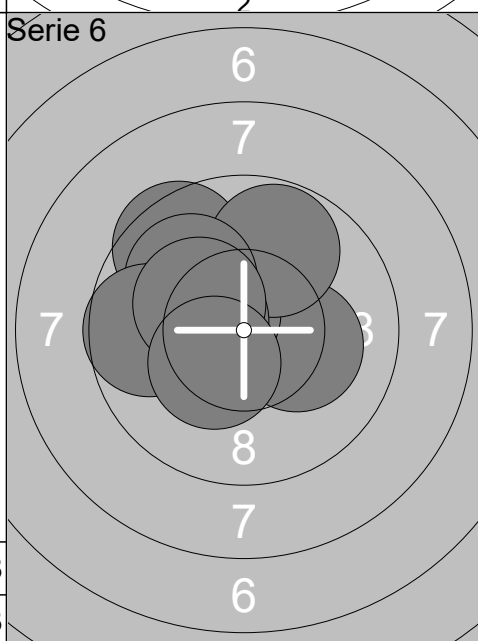
1:	10.1 ↑
2:	10.6x ↘
3:	10.2x ←
4:	9.6 ←
5:	10.5x ↗
6:	9.2 ←
7:	9.0 ←
8:	9.6 ←
9:	10.1 ←
10:	10.6x ↗
Series	99.5
	300.6



1:	9.8 ↑
2:	10.1 ↗
3:	10.4x ↗
4:	9.8 ←
5:	8.2 ↑
6:	10.3x ↑
7:	9.6 ←
8:	9.6 ↑
9:	10.4x ↓
10:	10.7x ↖
Series	98.9
	399.5



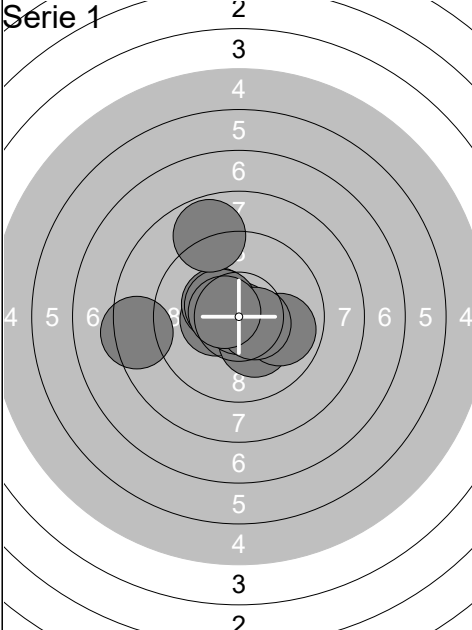
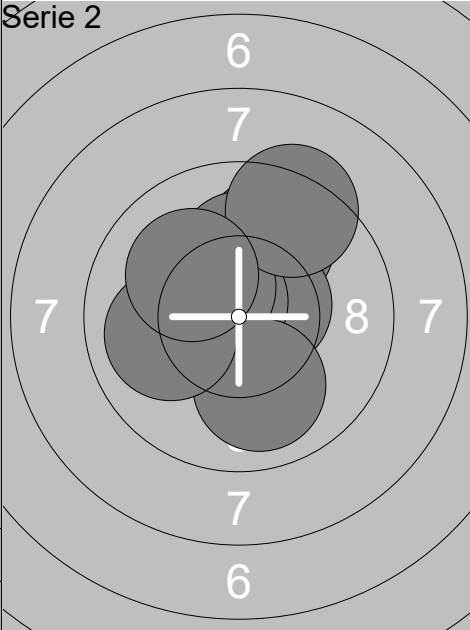
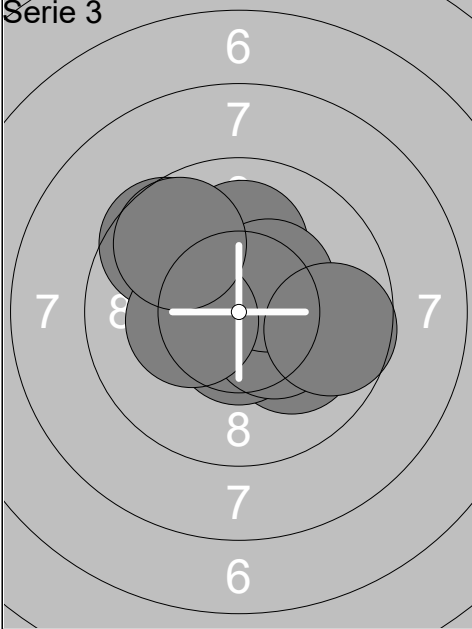
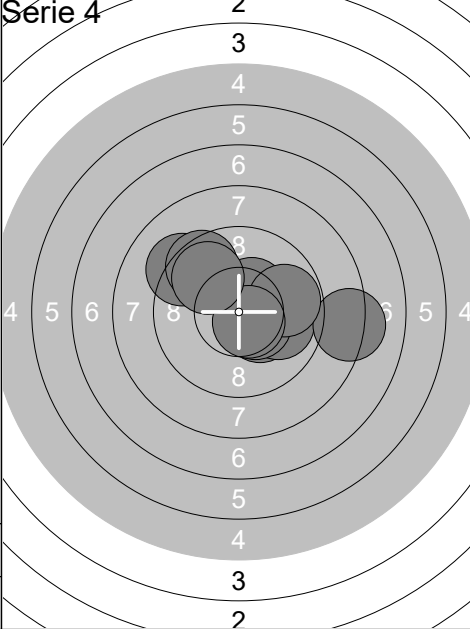
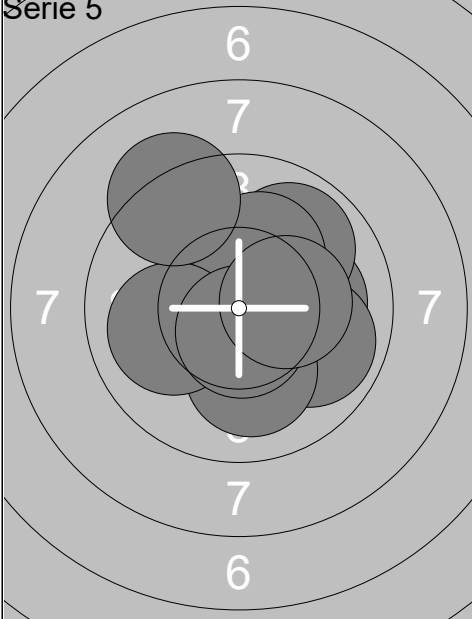
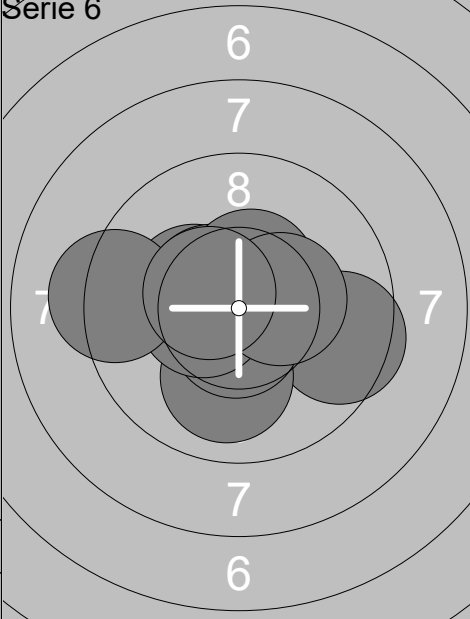
1:	10.2x ↑
2:	9.7 ↓
3:	10.7x ↖
4:	8.7 ←
5:	9.2 ↑
6:	9.7 ↗
7:	10.7x ↗
8:	9.3 ↑
9:	10.7x ↓
10:	9.9 ↓
Series	98.8
	498.3

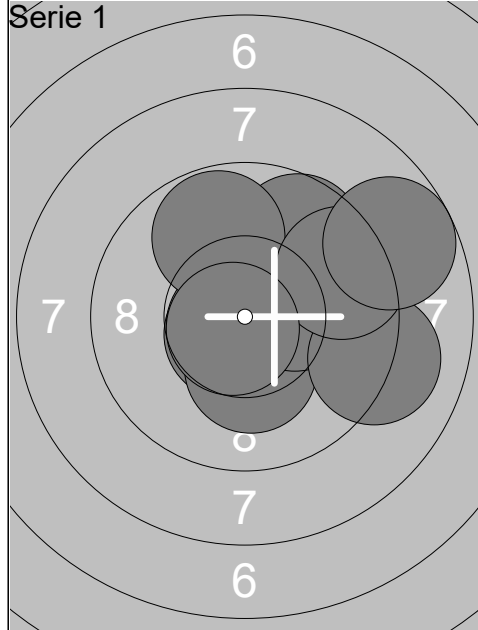


1:	9.5 ↗
2:	10.5x ↑
3:	10.2x →
4:	10.4x ↖
5:	9.8 ↑
6:	10.3x ←
7:	9.9 ↗
8:	9.7 ←
9:	10.2x ↖
10:	10.3x ↘
Series	100.8
	599.1

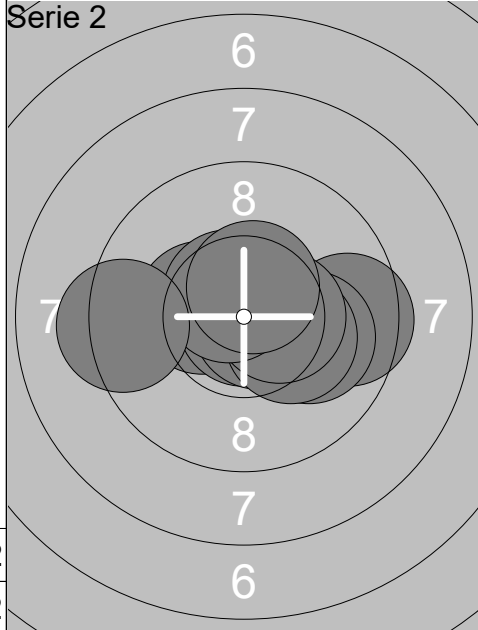
Relay	Lane	Victor Lindgren		
1	21	Day 2 Denmark Open Air	Aleholm skytteförening	MJ
15.02.2020	Day 2 Denmark Open Air 2020	Denmark Open Air 2020		
Serie 1 	1: 10.7x ↗	Serie 2 	1: 10.3x ↖	
	2: 10.0 →		2: 10.5x ←	
	3: 10.6x ←		3: 10.2x ←	
	4: 10.7x ↘		4: 10.0 ←	
	5: 10.2x →		5: 10.2x ↖	
	6: 10.4x ↘		6: 10.0 ←	
	7: 10.7x ←		7: 10.4x ↗	
	8: 9.9 ←		8: 10.7x →	
	9: 9.2 ←		9: 10.4x ↖	
	10: 10.7x ↖		10: 10.6x →	
	Series 103.1		Series 103.3	
	103.1		206.4	
Serie 3 	1: 10.5x ↘	Serie 4 	1: 10.8x ↗	
	2: 10.4x →		2: 10.6x →	
	3: 10.5x →		3: 10.5x ↖	
	4: 10.8x →		4: 10.2x ←	
	5: 9.6 →		5: 10.0 ←	
	6: 10.8x ↗		6: 10.7x ↖	
	7: 10.4x ↘		7: 10.5x ←	
	8: 10.5x ↖		8: 10.5x →	
	9: 10.6x ↗		9: 10.5x →	
	10: 10.7x ↗		10: 10.3x ←	
	Series 104.8		Series 104.6	
	311.2		415.8	
Serie 5 	1: 10.2x ↘	Serie 6 	1: 10.9x ←	
	2: 10.7x ↘		2: 10.4x ↖	
	3: 10.7x ↘		3: 10.8x ↘	
	4: 9.7 ↗		4: 10.0 →	
	5: 10.5x ←		5: 10.4x ↘	
	6: 10.1 ↘		6: 9.8 ←	
	7: 10.7x ←		7: 10.9x ↖	
	8: 10.3x ↘		8: 10.7x ↖	
	9: 10.0 ←		9: 10.6x ↘	
	10: 10.1 ←		10: 10.7x ↗	
	Series 103.0		Series 105.2	
	518.8		624.0	

Relay	Lane	Kristian Johansen		
1	23	Day 2 Denmark Open Air	Viborg Skytte Forening	MJ
15.02.2020	Day 2 Denmark Open Air 2020	Denmark Open Air 2020		
Série 1 	1: 10.4x ↘	Série 2 	1: 8.5 ↗	
	2: 8.9 ↗		2: 10.0 ↙	
	3: 8.1 →		3: 10.3x ↗	
	4: 10.1 ↗		4: 10.3x ↙	
	5: 9.8 ←		5: 10.2x ↑	
	6: 10.3x →		6: 9.0 →	
	7: 10.2x ↘		7: 9.8 ↗	
	8: 9.9 ←		8: 10.4x ↑	
	9: 9.8 ↙		9: 9.4 ↑	
	10: 10.1 ↑		10: 10.1 ↘	
	Series 97.6		Series 98.0	
	97.6		195.6	
Série 3 	1: 8.3 ↗	Série 4 	1: 9.1 ←	
	2: 10.1 →		2: 9.6 ↙	
	3: 9.4 →		3: 9.6 ←	
	4: 9.6 →		4: 9.7 ←	
	5: 10.8x →		5: 10.5x ↘	
	6: 10.1 ↗		6: 9.7 ↑	
	7: 10.5x ↑		7: 9.2 ↑	
	8: 10.3x ↑		8: 10.1 ↘	
	9: 9.0 ←		9: 8.9 →	
	10: 10.1 ↗		10: 10.3x ↑	
	Series 98.2		Series 96.7	
	293.8		390.5	
Série 5 	1: 9.5 ↗	Série 6 	1: 10.4x ↖	
	2: 9.8 →		2: 10.9x →	
	3: 9.7 ↗		3: 9.8 ←	
	4: 9.4 ←		4: 9.8 →	
	5: 10.2x →		5: 9.6 ↑	
	6: 9.6 ↘		6: 10.4x ↙	
	7: 10.0 ↙		7: 10.1 ←	
	8: 9.5 ↘		8: 10.1 ↙	
	9: 8.8 →		9: 10.3x ↘	
	10: 9.9 →		10: 10.1 ←	
	Series 96.4		Series 101.5	
	486.9		588.4	

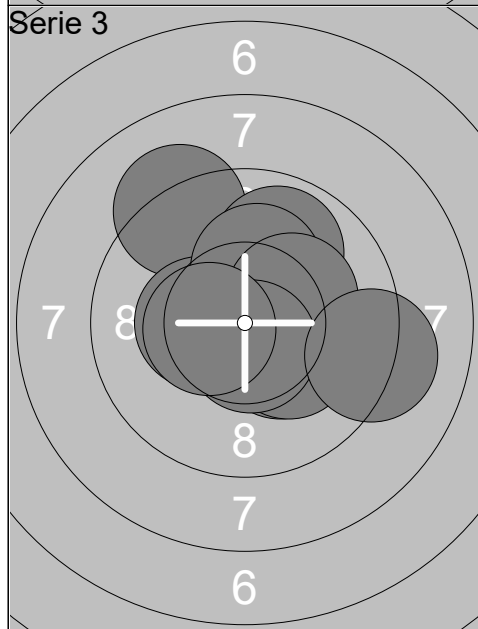
Relay	Lane	Victor Thomsen		
Day 2 Denmark Open Air	Viborg Skytte Forening	MJ		
15.02.2020	Day 2 Denmark Open Air 2020	Denmark Open Air 2020		
Série 1		1: 10.3x ← 2: 10.2x ↓ 3: 9.9 → 4: 10.9x ↓ 5: 8.4 ← 6: 10.3x ↖ 7: 10.4x ↖ 8: 10.5x → 9: 10.6x ← 10: 8.8 ↑ Series 100.3 100.3	Série 2 	1: 9.8 ↗ 2: 10.1 ↑ 3: 10.5x → 4: 10.3x ↖ 5: 10.6x ↖ 6: 10.4x ↖ 7: 9.3 ↗ 8: 10.0 ↓ 9: 10.0 ← 10: 10.1 ↖ Series 101.1 201.4
Série 3		1: 10.1 → 2: 10.6x ↓ 3: 10.8x ↗ 4: 10.3x → 5: 10.1 ↑ 6: 9.6 ↗ 7: 10.4x ↗ 8: 9.7 → 9: 10.3x ← 10: 9.7 ↖ Series 101.6 303.0	Série 4 	1: 10.3x → 2: 9.9 → 3: 8.2 → 4: 9.2 ↖ 5: 10.4x ↗ 6: 10.4x → 7: 9.8 → 8: 10.6x ↓ 9: 9.5 ↗ 10: 9.8 ↗ Series 98.1 401.1
Série 5		1: 10.2x → 2: 10.1 → 3: 9.9 → 4: 10.1 ↓ 5: 9.9 ↗ 6: 10.2x ↗ 7: 10.0 ← 8: 10.6x ↓ 9: 10.3x → 10: 9.2 ↖ Series 100.5 501.6	Série 6 	1: 10.3x ← 2: 9.5 → 3: 10.5x ↖ 4: 10.0 ↓ 5: 10.6x ↓ 6: 10.5x ↗ 7: 10.4x ← 8: 10.3x → 9: 9.2 ← 10: 10.5x ↖ Series 101.8 603.4



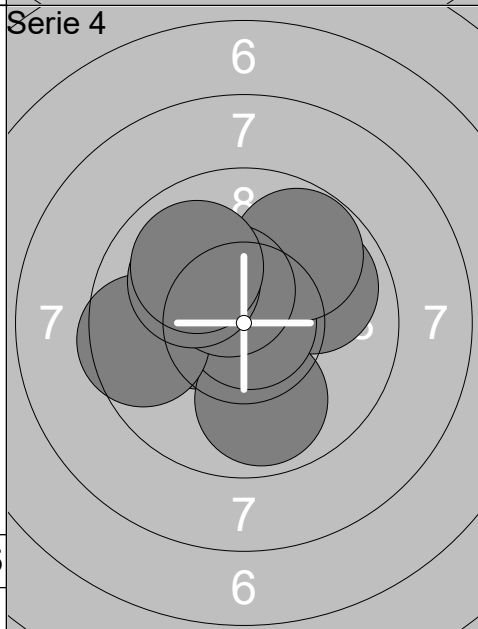
1:	9.7 ↗
2:	10.6x ↘
3:	10.7x ↘
4:	10.2x ↓
5:	10.2x →
6:	9.1 →
7:	9.8 ↑
8:	9.5 →
9:	8.7 →
10:	10.7x ↘
Series	99.2
	99.2



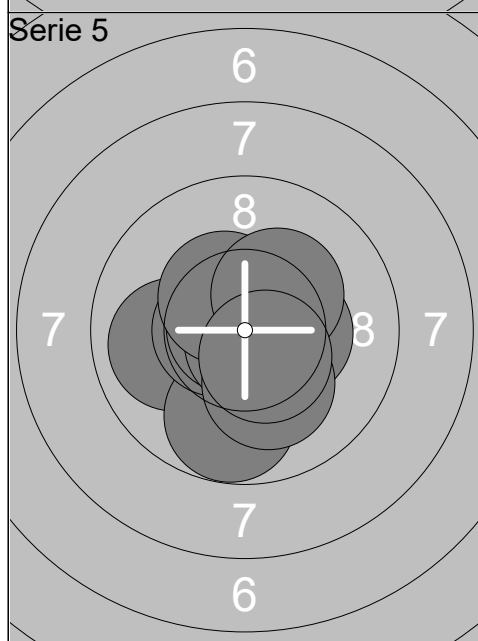
1:	9.5 →
2:	10.3x ←
3:	10.9x ↓
4:	10.7x →
5:	10.0 →
6:	10.2x →
7:	10.4x →
8:	10.6x ↗
9:	9.3 ←
10:	10.5x ↑
Series	102.4
	201.6



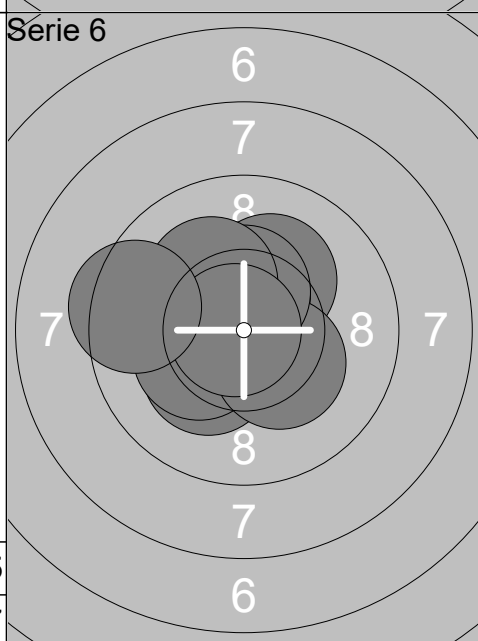
1:	9.2 ↗
2:	10.3x ←
3:	10.3x ↘
4:	9.9 ↑
5:	10.2x ↑
6:	10.2x →
7:	10.2x →
8:	10.6x ↓
9:	9.2 →
10:	10.4x ←
Series	100.5
	302.1



1:	10.5x ←
2:	10.4x ←
3:	9.9 →
4:	9.8 ↓
5:	10.9x →
6:	9.6 ←
7:	9.7 ↗
8:	10.4x ↗
9:	10.0 ↗
10:	9.9 ↗
Series	101.1
	403.2



1:	10.4x →
2:	9.9 ←
3:	9.7 ↓
4:	10.6x ←
5:	10.8x ←
6:	10.8x ↓
7:	10.4x ↗
8:	10.1 ↓
9:	10.3x ↗
10:	10.5x ↘
Series	103.5
	506.7



1:	10.2x ↘
2:	10.3x ↑
3:	10.2x ↘
4:	10.2x ↗
5:	10.5x ↑
6:	10.3x ↘
7:	10.4x ↑
8:	10.1 ↗
9:	10.8x ←
10:	9.4 ←
Series	102.4
	609.1

<p>Serie 1</p>	<p>1: 10.4x ↖ 2: 10.0 ↙ 3: 9.5 ↖ 4: 10.1 ↗ 5: 10.4x ↙ 6: 10.0 → 7: 9.8 ↗ 8: 9.7 ↖ 9: 10.9x → 10: 10.0 ←</p> <p>Series 100.8</p> <p>100.8</p>	<p>Serie 2</p>	<p>1: 10.1 ↓ 2: 10.2x ↗ 3: 9.6 → 4: 10.0 ↖ 5: 10.8x ↙ 6: 10.3x ↖ 7: 10.5x → 8: 10.9x ↓ 9: 10.8x ↓ 10: 10.5x →</p> <p>Series 103.7</p> <p>204.5</p>
-----------------------	---	-----------------------	---

<p>Serie 3</p>	<p>1: 9.9 ↗ 2: 10.9x ↖ 3: 10.0 ↖ 4: 10.4x → 5: 10.0 ↗ 6: 10.0 → 7: 10.7x ↓ 8: 9.9 ↗ 9: 10.1 ↗ 10: 10.4x ↓</p> <p>Series 102.3</p> <p>306.8</p>	<p>Serie 4</p>	<p>1: 10.0 ↓ 2: 10.2x ↘ 3: 10.8x ↓ 4: 9.1 ↖ 5: 10.0 ↗ 6: 10.0 ← 7: 10.7x ↙ 8: 10.4x → 9: 10.2x ↑ 10: 9.8 ↑</p> <p>Series 101.2</p> <p>408.0</p>
-----------------------	---	-----------------------	--

<p>Serie 5</p>	<p>1: 10.3x ↙ 2: 9.9 → 3: 10.5x ↖ 4: 10.4x ↑ 5: 10.1 ↓ 6: 10.0 ↗ 7: 10.8x ↖ 8: 10.5x ↖ 9: 10.3x ↑ 10: 10.6x ←</p> <p>Series 103.4</p> <p>511.4</p>	<p>Serie 6</p>	<p>1: 9.5 ↖ 2: 10.4x ↓ 3: 10.5x ↑ 4: 10.5x ↑ 5: 10.3x ↖ 6: 10.0 ↑ 7: 9.9 ↑ 8: 10.7x ↖ 9: 10.4x ↙ 10: 10.4x ↘</p> <p>Series 102.6</p> <p>614.0</p>
-----------------------	---	-----------------------	--