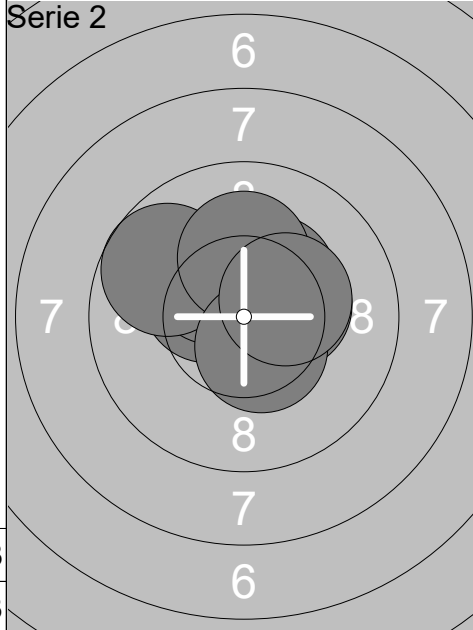
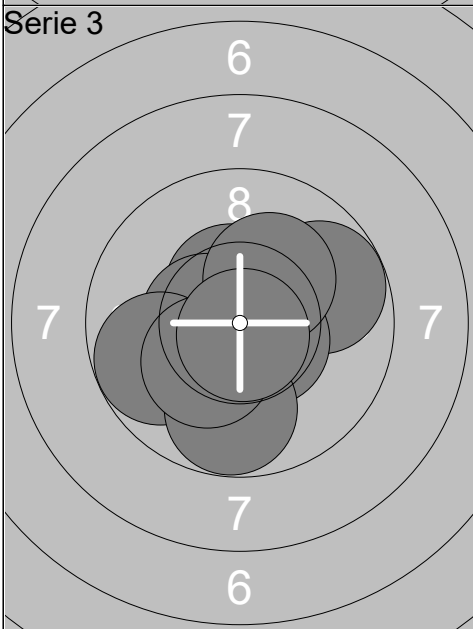


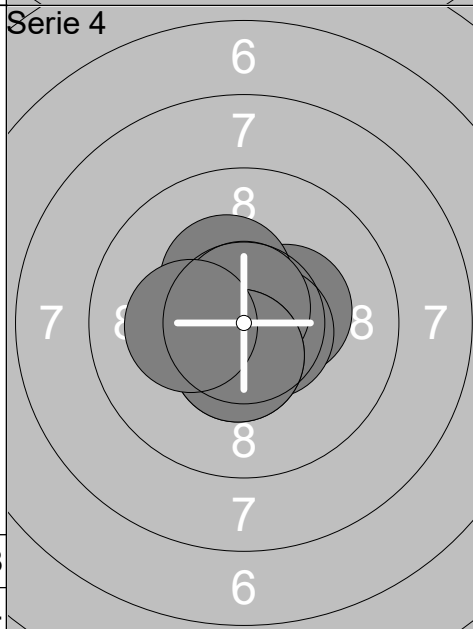
|        |         |
|--------|---------|
| 1:     | 10.9x   |
| 2:     | 10.3x → |
| 3:     | 10.8x → |
| 4:     | 10.6x ↓ |
| 5:     | 10.6x → |
| 6:     | 10.8x ↗ |
| 7:     | 10.6x ↗ |
| 8:     | 10.8x ↓ |
| 9:     | 10.6x ↖ |
| 10:    | 10.3x ↑ |
| Series | 106.3   |
|        | 106.3   |



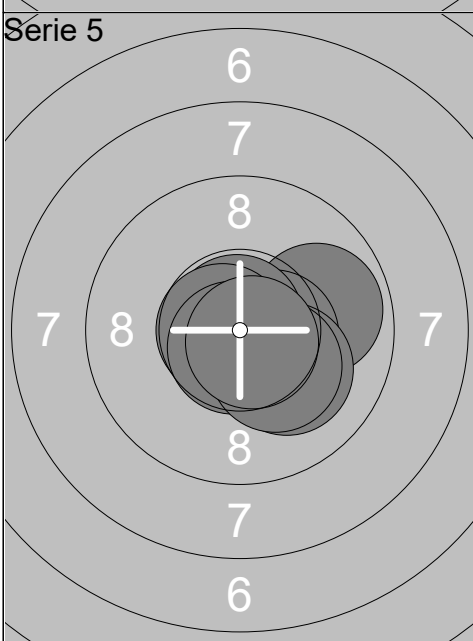
|        |         |
|--------|---------|
| 1:     | 10.9x ↑ |
| 2:     | 10.4x ↖ |
| 3:     | 10.3x ↗ |
| 4:     | 10.5x ↗ |
| 5:     | 10.3x ↖ |
| 6:     | 9.7 ↖   |
| 7:     | 10.1 ↑  |
| 8:     | 10.3x → |
| 9:     | 10.5x ↓ |
| 10:    | 10.3x → |
| Series | 103.3   |
|        | 209.6   |



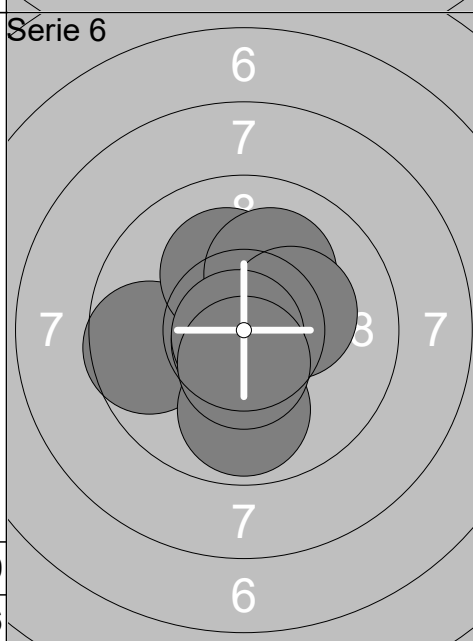
|        |         |
|--------|---------|
| 1:     | 10.8x ↖ |
| 2:     | 10.5x ↑ |
| 3:     | 9.8 →   |
| 4:     | 10.5x ↘ |
| 5:     | 10.5x ↖ |
| 6:     | 9.7 ↖   |
| 7:     | 9.8 ↓   |
| 8:     | 10.2x ↗ |
| 9:     | 10.3x ↖ |
| 10:    | 10.7x ↓ |
| Series | 102.8   |
|        | 312.4   |



|        |         |
|--------|---------|
| 1:     | 10.7x ↗ |
| 2:     | 10.6x ↖ |
| 3:     | 10.3x → |
| 4:     | 10.8x ↖ |
| 5:     | 10.6x → |
| 6:     | 10.3x ↑ |
| 7:     | 10.7x ↑ |
| 8:     | 10.5x ↓ |
| 9:     | 10.5x ↓ |
| 10:    | 10.2x ↖ |
| Series | 105.2   |
|        | 417.6   |



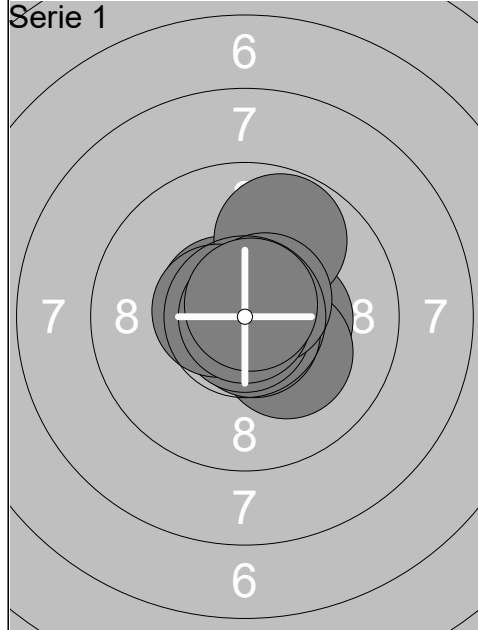
|        |         |
|--------|---------|
| 1:     | 10.6x ↓ |
| 2:     | 10.8x ↓ |
| 3:     | 9.9 →   |
| 4:     | 10.5x → |
| 5:     | 10.8x ↑ |
| 6:     | 10.7x ↖ |
| 7:     | 10.7x ↓ |
| 8:     | 10.1 ↘  |
| 9:     | 10.2x ↘ |
| 10:    | 10.7x ↘ |
| Series | 105.0   |
|        | 522.6   |



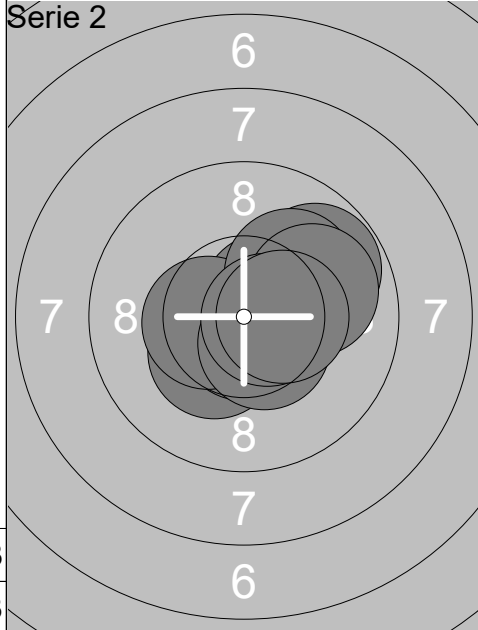
|        |         |
|--------|---------|
| 1:     | 9.6 ↖   |
| 2:     | 10.1 ↑  |
| 3:     | 10.8x ↓ |
| 4:     | 9.9 ↓   |
| 5:     | 10.1 ↗  |
| 6:     | 10.8x ↖ |
| 7:     | 10.8x ↓ |
| 8:     | 10.2x → |
| 9:     | 10.8x ↖ |
| 10:    | 10.5x ↓ |
| Series | 103.6   |
|        | 626.2   |

| Relay      | Lane   | Xiu Yi Ho                      |         |                       |            |
|------------|--------|--------------------------------|---------|-----------------------|------------|
| 3          | 16     | Singapore Shooting Association |         | W                     |            |
| 15.02.2020 |        | Day 2 Denmark Open Air 2020    |         | Denmark Open Air 2020 |            |
| Serie 1    |        | 1: 10.2x ↑                     | Serie 2 |                       | 1: 10.2x ↑ |
|            |        | 2: 10.4x ↑                     |         |                       | 2: 10.7x ↓ |
|            |        | 3: 10.7x →                     |         |                       | 3: 10.9x ↑ |
|            |        | 4: 10.0 ↗                      |         | 4: 10.8x ↘            |            |
|            |        | 5: 10.5x →                     |         | 5: 10.3x ↓            |            |
|            |        | 6: 9.8 ↗                       |         | 6: 10.5x ↘            |            |
|            |        | 7: 9.8 ↖                       |         | 7: 10.2x ↓            |            |
|            |        | 8: 10.3x ↓                     |         | 8: 10.5x ↗            |            |
|            |        | 9: 10.2x ↗                     |         | 9: 10.7x ↓            |            |
|            |        | 10: 10.2x ↑                    |         | 10: 10.4x ←           |            |
|            | Series | 102.1                          |         | Series                | 105.2      |
|            |        | 102.1                          |         |                       | 207.3      |
| Serie 3    |        | 1: 10.6x →                     | Serie 4 |                       | 1: 10.6x ↓ |
|            |        | 2: 10.4x →                     |         |                       | 2: 9.8 ↑   |
|            |        | 3: 10.7x ↘                     |         |                       | 3: 10.5x ↓ |
|            |        | 4: 10.5x ↓                     |         | 4: 10.1 ↖             |            |
|            |        | 5: 10.6x ↓                     |         | 5: 10.1 ↗             |            |
|            |        | 6: 10.8x →                     |         | 6: 10.1 ↑             |            |
|            |        | 7: 10.2x ↗                     |         | 7: 9.9 ↓              |            |
|            |        | 8: 10.3x ↖                     |         | 8: 10.5x ↘            |            |
|            |        | 9: 9.6 ↗                       |         | 9: 10.3x ↓            |            |
|            |        | 10: 10.3x ↖                    |         | 10: 10.1 ←            |            |
|            | Series | 104.0                          |         | Series                | 102.0      |
|            |        | 311.3                          |         |                       | 413.3      |
| Serie 5    |        | 1: 10.5x →                     | Serie 6 |                       | 1: 10.4x ← |
|            |        | 2: 10.6x ↓                     |         |                       | 2: 9.7 ↑   |
|            |        | 3: 10.4x ↑                     |         |                       | 3: 10.9x → |
|            |        | 4: 10.3x ↖                     |         | 4: 9.8 ↗              |            |
|            |        | 5: 10.6x ↑                     |         | 5: 10.6x ↑            |            |
|            |        | 6: 10.4x ↓                     |         | 6: 10.0 →             |            |
|            |        | 7: 10.2x ↓                     |         | 7: 10.2x ↑            |            |
|            |        | 8: 9.8 ↑                       |         | 8: 10.6x ↗            |            |
|            |        | 9: 9.7 ↖                       |         | 9: 10.6x ↖            |            |
|            |        | 10: 10.2x →                    |         | 10: 10.4x ↗           |            |
|            | Series | 102.7                          |         | Series                | 103.2      |
|            |        | 516.0                          |         |                       | 619.2      |

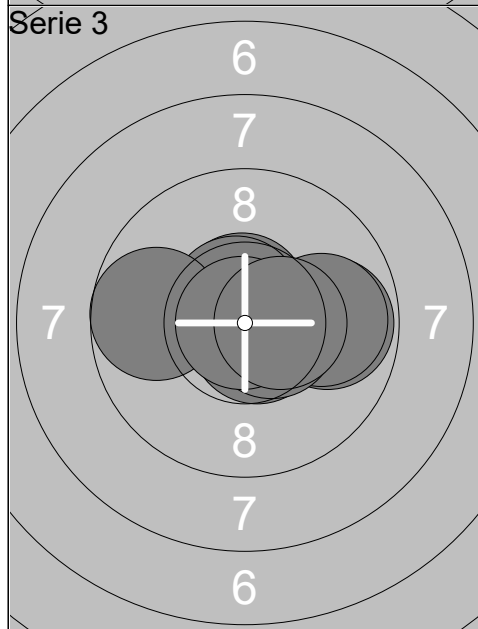
| Relay              | Lane                        | Anna Skade Nielsen     |                        |   |
|--------------------|-----------------------------|------------------------|------------------------|---|
| 3                  | 17                          | Day 2 Denmark Open Air | Sørslev Skytteforening | W |
| 15.02.2020         | Day 2 Denmark Open Air 2020 | Denmark Open Air 2020  |                        |   |
| <b>Serie 1</b><br> | 1: 10.8x →                  | <b>Serie 2</b><br>     | 1: 10.0 ↖              |   |
|                    | 2: 10.5x ↘                  |                        | 2: 10.4x ↖             |   |
|                    | 3: 10.6x ←                  |                        | 3: 10.5x ←             |   |
|                    | 4: 10.2x ↗                  |                        | 4: 9.9 →               |   |
|                    | 5: 10.7x ↗                  |                        | 5: 9.9 →               |   |
|                    | 6: 10.7x →                  |                        | 6: 10.8x →             |   |
|                    | 7: 10.6x ←                  |                        | 7: 10.4x ↖             |   |
|                    | 8: 10.0 ↘                   |                        | 8: 10.5x ←             |   |
|                    | 9: 10.3x ←                  |                        | 9: 10.8x ↙             |   |
|                    | 10: 10.6x ←                 |                        | 10: 10.7x ↘            |   |
|                    | <b>Series 105.0</b>         |                        | <b>Series 103.9</b>    |   |
|                    | 105.0                       |                        | 208.9                  |   |
| <b>Serie 3</b><br> | 1: 10.4x ↑                  | <b>Serie 4</b><br>     | 1: 10.4x ↖             |   |
|                    | 2: 10.6x ↘                  |                        | 2: 10.6x ↖             |   |
|                    | 3: 10.8x →                  |                        | 3: 10.4x ←             |   |
|                    | 4: 10.4x ↘                  |                        | 4: 10.3x ↓             |   |
|                    | 5: 10.2x →                  |                        | 5: 10.7x ↗             |   |
|                    | 6: 10.6x →                  |                        | 6: 10.1 ↓              |   |
|                    | 7: 10.0 ←                   |                        | 7: 10.7x ↘             |   |
|                    | 8: 10.6x ←                  |                        | 8: 10.7x →             |   |
|                    | 9: 10.5x ↘                  |                        | 9: 10.7x ↑             |   |
|                    | 10: 10.4x ←                 |                        | 10: 10.5x ←            |   |
|                    | <b>Series 104.5</b>         |                        | <b>Series 105.1</b>    |   |
|                    | 313.4                       |                        | 418.5                  |   |
| <b>Serie 5</b><br> | 1: 10.7x →                  | <b>Serie 6</b><br>     | 1: 10.6x ↙             |   |
|                    | 2: 10.6x ↓                  |                        | 2: 10.1 →              |   |
|                    | 3: 10.4x ↖                  |                        | 3: 10.7x ↖             |   |
|                    | 4: 10.4x ↘                  |                        | 4: 10.2x ←             |   |
|                    | 5: 10.5x ←                  |                        | 5: 10.6x ←             |   |
|                    | 6: 10.0 ←                   |                        | 6: 10.1 ↘              |   |
|                    | 7: 10.7x ↖                  |                        | 7: 10.4x →             |   |
|                    | 8: 10.4x ↙                  |                        | 8: 10.2x ↗             |   |
|                    | 9: 10.6x ↑                  |                        | 9: 10.6x ↓             |   |
|                    | 10: 10.4x ↘                 |                        | 10: 10.5x ↘            |   |
|                    | <b>Series 104.7</b>         |                        | <b>Series 104.0</b>    |   |
|                    | 523.2                       |                        | 627.2                  |   |



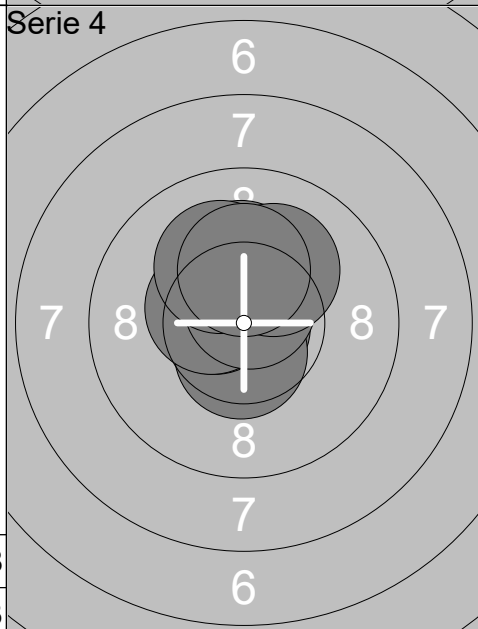
|               |              |
|---------------|--------------|
| 1:            | 10.4x →      |
| 2:            | 10.2x ↘      |
| 3:            | 10.7x ↘      |
| 4:            | 10.8x ↓      |
| 5:            | 10.6x ↖      |
| 6:            | 9.8 ↗        |
| 7:            | 10.6x ←      |
| 8:            | 10.6x ↗      |
| 9:            | 10.9x        |
| 10:           | 10.7x ↗      |
| <b>Series</b> | <b>105.3</b> |
|               | <b>105.3</b> |



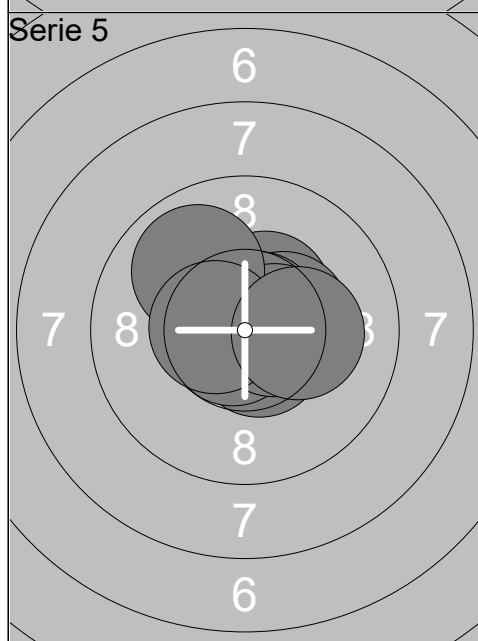
|               |              |
|---------------|--------------|
| 1:            | 10.3x ↘      |
| 2:            | 9.8 ↗        |
| 3:            | 10.5x ↗      |
| 4:            | 10.7x ↓      |
| 5:            | 10.4x ←      |
| 6:            | 10.5x ↘      |
| 7:            | 10.1 ↗       |
| 8:            | 9.9 ↗        |
| 9:            | 10.6x →      |
| 10:           | 10.4x →      |
| <b>Series</b> | <b>103.2</b> |
|               | <b>208.5</b> |



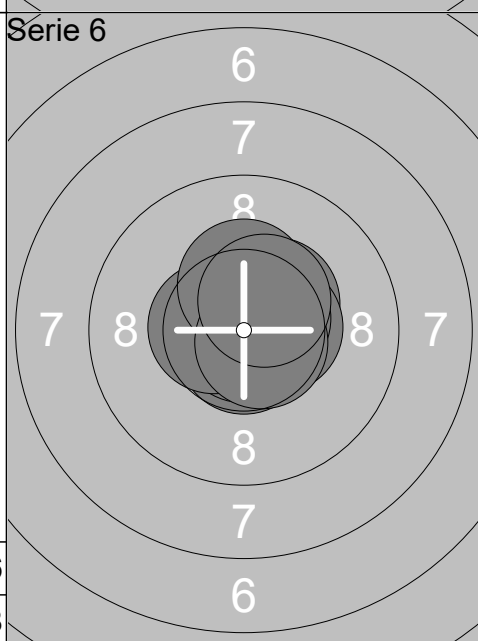
|               |              |
|---------------|--------------|
| 1:            | 9.8 →        |
| 2:            | 9.9 →        |
| 3:            | 10.6x ↗      |
| 4:            | 10.7x ↘      |
| 5:            | 10.6x ↗      |
| 6:            | 10.6x →      |
| 7:            | 10.6x ↗      |
| 8:            | 9.7 ←        |
| 9:            | 10.9x ←      |
| 10:           | 10.4x →      |
| <b>Series</b> | <b>103.8</b> |
|               | <b>312.3</b> |



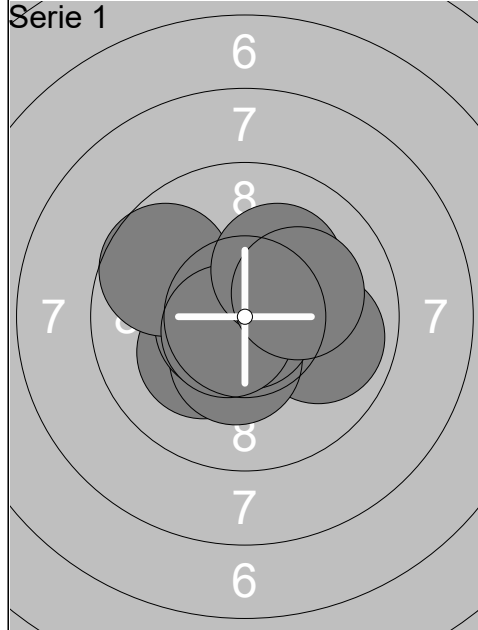
|               |              |
|---------------|--------------|
| 1:            | 10.9x ↓      |
| 2:            | 10.5x ↓      |
| 3:            | 10.3x ↗      |
| 4:            | 10.5x ↖      |
| 5:            | 10.2x ↗      |
| 6:            | 10.5x ↖      |
| 7:            | 10.6x ↗      |
| 8:            | 10.1 ↗       |
| 9:            | 10.1 ↗       |
| 10:           | 10.2x ↗      |
| <b>Series</b> | <b>103.9</b> |
|               | <b>416.2</b> |



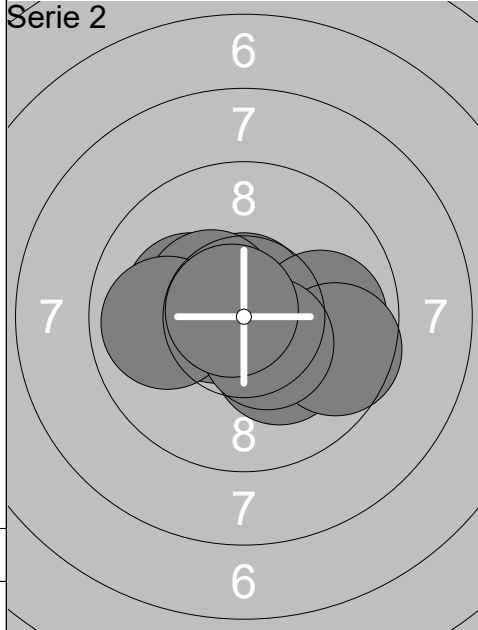
|               |              |
|---------------|--------------|
| 1:            | 10.7x →      |
| 2:            | 10.4x ↗      |
| 3:            | 10.6x ↘      |
| 4:            | 10.4x →      |
| 5:            | 10.7x ↖      |
| 6:            | 10.7x ↗      |
| 7:            | 10.5x →      |
| 8:            | 9.9 ↗        |
| 9:            | 10.5x ←      |
| 10:           | 10.2x →      |
| <b>Series</b> | <b>104.6</b> |
|               | <b>520.8</b> |



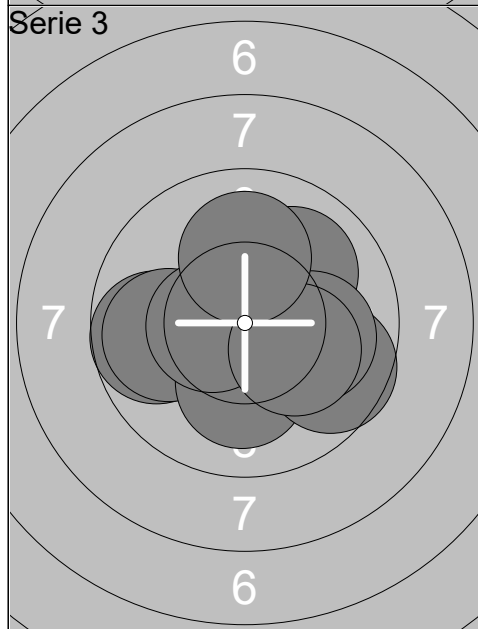
|               |              |
|---------------|--------------|
| 1:            | 10.7x ↓      |
| 2:            | 10.8x ↖      |
| 3:            | 10.4x ↗      |
| 4:            | 10.5x →      |
| 5:            | 10.6x ↗      |
| 6:            | 10.9x ↓      |
| 7:            | 10.5x ←      |
| 8:            | 10.3x ↗      |
| 9:            | 10.6x ↘      |
| 10:           | 10.4x ↗      |
| <b>Series</b> | <b>105.7</b> |
|               | <b>626.5</b> |



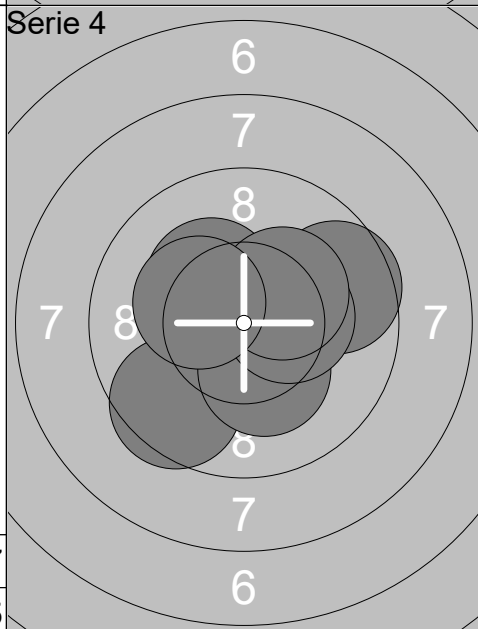
|               |              |
|---------------|--------------|
| 1:            | 10.2x ↙      |
| 2:            | 9.9 →        |
| 3:            | 10.7x ↙      |
| 4:            | 10.4x ↓      |
| 5:            | 10.8x ↓      |
| 6:            | 10.6x ←      |
| 7:            | 9.7 ↖        |
| 8:            | 10.6x ↙      |
| 9:            | 10.1 ↗       |
| 10:           | 10.1 →       |
| <b>Series</b> | <b>103.1</b> |
|               | <b>103.1</b> |



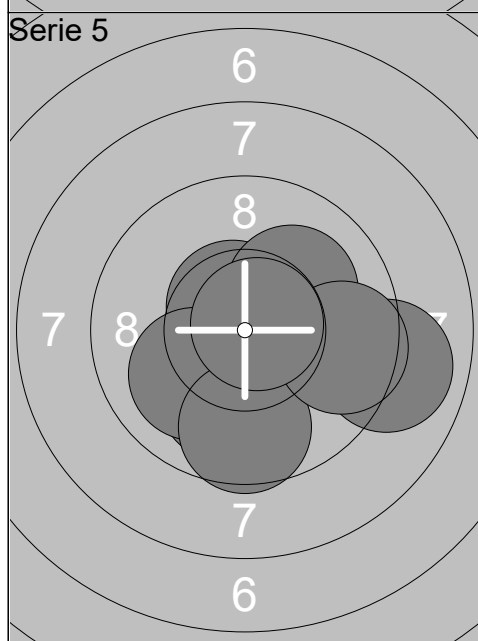
|               |              |
|---------------|--------------|
| 1:            | 10.7x ↑      |
| 2:            | 10.2x ↓      |
| 3:            | 10.6x ←      |
| 4:            | 9.9 →        |
| 5:            | 9.6 →        |
| 6:            | 10.2x ←      |
| 7:            | 10.4x ↖      |
| 8:            | 9.9 ←        |
| 9:            | 10.4x ↓      |
| 10:           | 10.8x ↖      |
| <b>Series</b> | <b>102.7</b> |
|               | <b>205.8</b> |



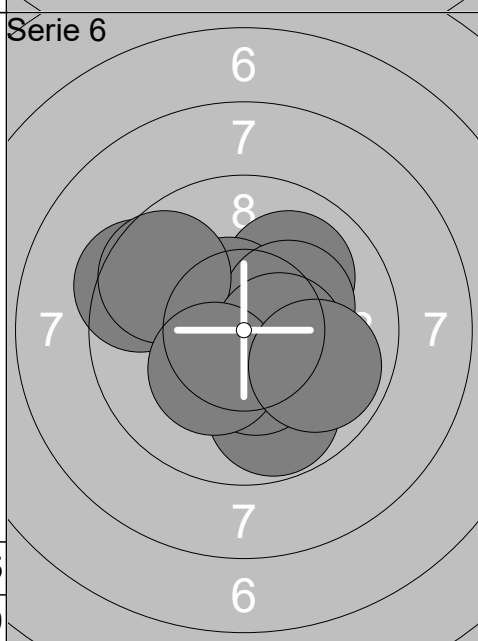
|               |              |
|---------------|--------------|
| 1:            | 9.7 ←        |
| 2:            | 9.9 ←        |
| 3:            | 10.8x ↗      |
| 4:            | 10.0 ↗       |
| 5:            | 10.1 ↓       |
| 6:            | 9.6 →        |
| 7:            | 10.0 →       |
| 8:            | 10.5x ←      |
| 9:            | 10.1 →       |
| 10:           | 10.0 ↑       |
| <b>Series</b> | <b>100.7</b> |
|               | <b>306.5</b> |



|               |              |
|---------------|--------------|
| 1:            | 9.6 →        |
| 2:            | 10.6x ↙      |
| 3:            | 10.5x ←      |
| 4:            | 10.4x →      |
| 5:            | 9.5 ↓        |
| 6:            | 10.2x ↖      |
| 7:            | 10.2x ↓      |
| 8:            | 10.3x →      |
| 9:            | 10.3x ↗      |
| 10:           | 10.3x ←      |
| <b>Series</b> | <b>101.9</b> |
|               | <b>408.4</b> |



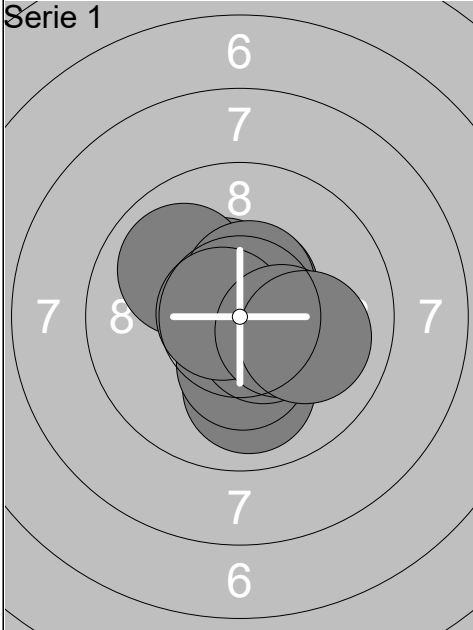
|               |              |
|---------------|--------------|
| 1:            | 8.9 →        |
| 2:            | 10.4x ↓      |
| 3:            | 10.0 ↓       |
| 4:            | 10.6x ↗      |
| 5:            | 10.6x ↖      |
| 6:            | 10.0 ←       |
| 7:            | 10.1 ↗       |
| 8:            | 9.6 ↓        |
| 9:            | 9.6 →        |
| 10:           | 10.7x ↗      |
| <b>Series</b> | <b>100.5</b> |
|               | <b>508.9</b> |



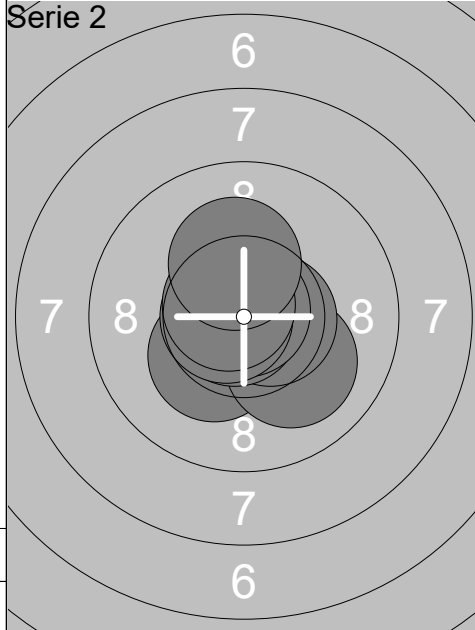
|               |              |
|---------------|--------------|
| 1:            | 10.0 ↗       |
| 2:            | 10.5x ↖      |
| 3:            | 9.8 ↓        |
| 4:            | 10.3x ↗      |
| 5:            | 9.4 ←        |
| 6:            | 10.4x ↓      |
| 7:            | 9.6 ↖        |
| 8:            | 10.4x →      |
| 9:            | 10.3x ↙      |
| 10:           | 9.8 →        |
| <b>Series</b> | <b>100.5</b> |
|               | <b>609.4</b> |

| Relay       | Lane         | Christinna Herskind         |              |                       |
|-------------|--------------|-----------------------------|--------------|-----------------------|
| 3           | 20           | Day 2 Denmark Open Air      |              | Aalborg Skyttekreds   |
| 15.02.2020  |              | Day 2 Denmark Open Air 2020 |              | Denmark Open Air 2020 |
| Serie 1<br> | 1: 9.7 ↙     | Serie 2<br>                 | 1: 10.1 ↓    |                       |
|             | 2: 10.9x ↗   |                             | 2: 10.1 ↘    |                       |
|             | 3: 10.8x ↓   |                             | 3: 10.1 ↓    |                       |
|             | 4: 10.7x →   |                             | 4: 10.1 →    |                       |
|             | 5: 10.6x ↗   |                             | 5: 10.1 ↗    |                       |
|             | 6: 10.3x ↙   |                             | 6: 10.2x ↗   |                       |
|             | 7: 10.8x ↙   |                             | 7: 10.6x ↗   |                       |
|             | 8: 10.1 ↓    |                             | 8: 10.3x ↗   |                       |
|             | 9: 10.2x ↓   |                             | 9: 10.6x ↗   |                       |
|             | 10: 10.3x →  |                             | 10: 10.2x →  |                       |
|             | Series 104.4 |                             | Series 102.4 |                       |
|             | 104.4        |                             | 206.8        |                       |
| Serie 3<br> | 1: 10.5x →   | Serie 4<br>                 | 1: 10.6x ↗   |                       |
|             | 2: 10.6x →   |                             | 2: 10.8x ↓   |                       |
|             | 3: 9.9 ↗     |                             | 3: 10.5x ↗   |                       |
|             | 4: 10.3x ↙   |                             | 4: 10.8x ↙   |                       |
|             | 5: 10.2x ↑   |                             | 5: 10.6x ↙   |                       |
|             | 6: 10.0 ↓    |                             | 6: 10.6x ↙   |                       |
|             | 7: 10.3x ↗   |                             | 7: 10.8x ↙   |                       |
|             | 8: 10.8x ↙   |                             | 8: 10.8x ↙   |                       |
|             | 9: 10.6x ↙   |                             | 9: 10.6x ↗   |                       |
|             | 10: 10.7x ↓  |                             | 10: 10.7x ↗  |                       |
|             | Series 103.9 |                             | Series 106.8 |                       |
|             | 310.7        |                             | 417.5        |                       |
| Serie 5<br> | 1: 10.7x ↓   | Serie 6<br>                 | 1: 10.3x ↙   |                       |
|             | 2: 10.1 ↗    |                             | 2: 10.7x ↑   |                       |
|             | 3: 10.8x →   |                             | 3: 10.0 ↗    |                       |
|             | 4: 10.1 ↑    |                             | 4: 10.5x ↓   |                       |
|             | 5: 10.3x ↓   |                             | 5: 10.6x ↙   |                       |
|             | 6: 10.3x ↗   |                             | 6: 10.1 →    |                       |
|             | 7: 10.4x ↘   |                             | 7: 10.6x ↗   |                       |
|             | 8: 10.7x ↓   |                             | 8: 10.6x →   |                       |
|             | 9: 10.3x →   |                             | 9: 10.4x ↙   |                       |
|             | 10: 10.2x →  |                             | 10: 10.1 ↙   |                       |
|             | Series 103.9 |                             | Series 103.9 |                       |
|             | 521.4        |                             | 625.3        |                       |

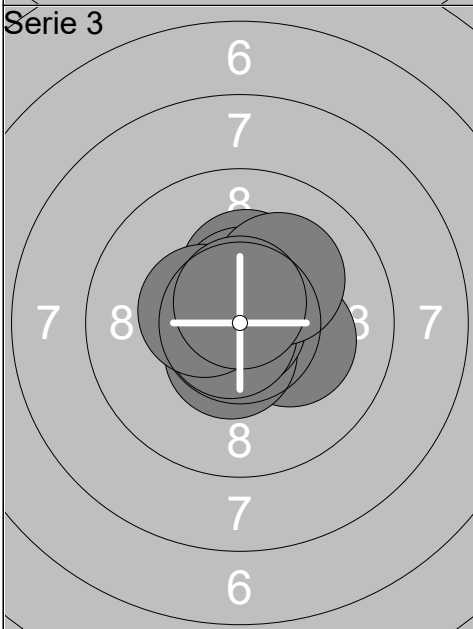
| Relay                  | Lane                           | Martina Lindsay Veloso |                     |  |
|------------------------|--------------------------------|------------------------|---------------------|--|
| Day 2 Denmark Open Air | Singapore Shooting Association | W                      |                     |  |
| 15.02.2020             | Day 2 Denmark Open Air 2020    | Denmark Open Air 2020  |                     |  |
| <b>Serie 1</b><br>     | 1: 10.7x ↓                     | <b>Serie 2</b><br>     | 1: 10.2x ↑          |  |
|                        | 2: 10.6x ↓                     |                        | 2: 9.5 ↙            |  |
|                        | 3: 10.6x ↑                     |                        | 3: 10.9x ←          |  |
|                        | 4: 10.4x ↓                     |                        | 4: 10.6x ↘          |  |
|                        | 5: 10.8x ↓                     |                        | 5: 10.4x ↓          |  |
|                        | 6: 10.7x ↗                     |                        | 6: 10.9x ↓          |  |
|                        | 7: 10.4x ←                     |                        | 7: 10.4x ↗          |  |
|                        | 8: 10.0 ↓                      |                        | 8: 10.7x ←          |  |
|                        | 9: 10.5x ↓                     |                        | 9: 10.8x ↘          |  |
|                        | 10: 10.3x ↓                    |                        | 10: 10.5x ↗         |  |
|                        | <b>Series</b> 105.0            |                        | <b>Series</b> 104.9 |  |
|                        | 105.0                          |                        | 209.9               |  |
| <b>Serie 3</b><br>     | 1: 10.8x ↑                     | <b>Serie 4</b><br>     | 1: 10.3x ↘          |  |
|                        | 2: 9.7 ↓                       |                        | 2: 9.8 ←            |  |
|                        | 3: 10.8x ↘                     |                        | 3: 10.3x ←          |  |
|                        | 4: 10.5x ↑                     |                        | 4: 10.3x ↑          |  |
|                        | 5: 10.3x ↓                     |                        | 5: 10.7x ↘          |  |
|                        | 6: 10.1 →                      |                        | 6: 10.7x ↗          |  |
|                        | 7: 10.1 →                      |                        | 7: 10.8x ←          |  |
|                        | 8: 10.8x ←                     |                        | 8: 10.6x ↓          |  |
|                        | 9: 10.7x ←                     |                        | 9: 10.6x ↘          |  |
|                        | 10: 10.3x ↓                    |                        | 10: 10.5x ↑         |  |
|                        | <b>Series</b> 104.1            |                        | <b>Series</b> 104.6 |  |
|                        | 314.0                          |                        | 418.6               |  |
| <b>Serie 5</b><br>     | 1: 10.4x ↘                     | <b>Serie 6</b><br>     | 1: 10.5x →          |  |
|                        | 2: 9.9 ←                       |                        | 2: 10.1 ↘           |  |
|                        | 3: 10.3x →                     |                        | 3: 10.7x ←          |  |
|                        | 4: 10.3x ↑                     |                        | 4: 10.5x ↗          |  |
|                        | 5: 10.2x ↑                     |                        | 5: 10.6x ↑          |  |
|                        | 6: 10.8x →                     |                        | 6: 10.6x ↘          |  |
|                        | 7: 10.4x ↓                     |                        | 7: 10.6x ←          |  |
|                        | 8: 10.2x ↓                     |                        | 8: 10.0 →           |  |
|                        | 9: 10.4x ↑                     |                        | 9: 10.5x →          |  |
|                        | 10: 10.5x ↗                    |                        | 10: 10.6x ←         |  |
|                        | <b>Series</b> 103.4            |                        | <b>Series</b> 104.7 |  |
|                        | 522.0                          |                        | 626.7               |  |



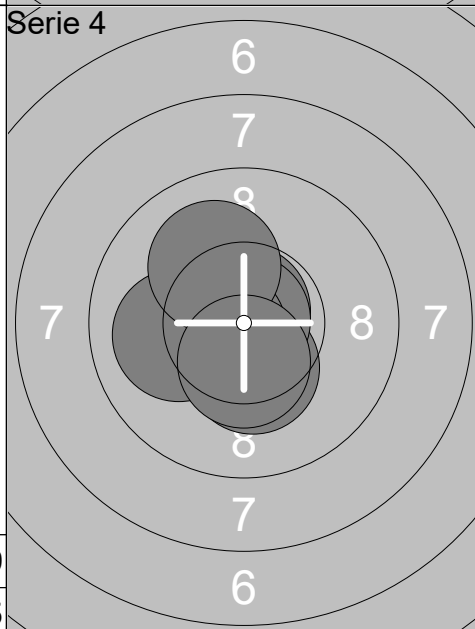
|               |              |
|---------------|--------------|
| 1:            | 10.0 ↓       |
| 2:            | 10.3x ↓      |
| 3:            | 10.4x ↗      |
| 4:            | 9.9 ↖        |
| 5:            | 10.5x ↗      |
| 6:            | 10.5x ↗      |
| 7:            | 10.5x ↘      |
| 8:            | 10.7x ←      |
| 9:            | 10.3x →      |
| 10:           | 10.0 →       |
| <b>Series</b> | <b>103.1</b> |
|               | <b>103.1</b> |



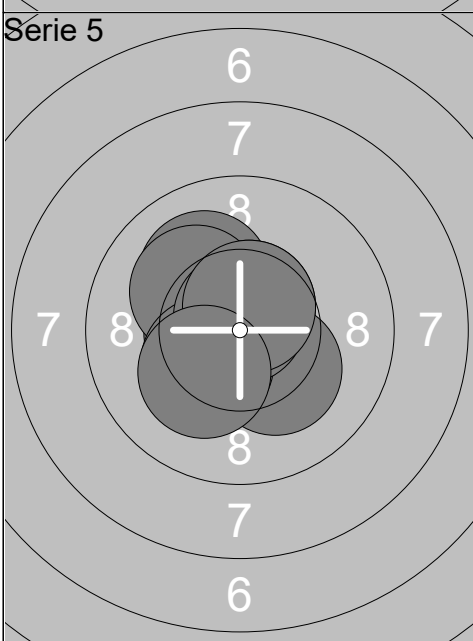
|               |              |
|---------------|--------------|
| 1:            | 10.7x ↘      |
| 2:            | 10.3x ↘      |
| 3:            | 10.0 ↘       |
| 4:            | 10.7x →      |
| 5:            | 10.6x →      |
| 6:            | 10.8x ←      |
| 7:            | 10.9x ↑      |
| 8:            | 10.7x ←      |
| 9:            | 10.6x ↖      |
| 10:           | 10.2x ↑      |
| <b>Series</b> | <b>105.5</b> |
|               | <b>208.6</b> |



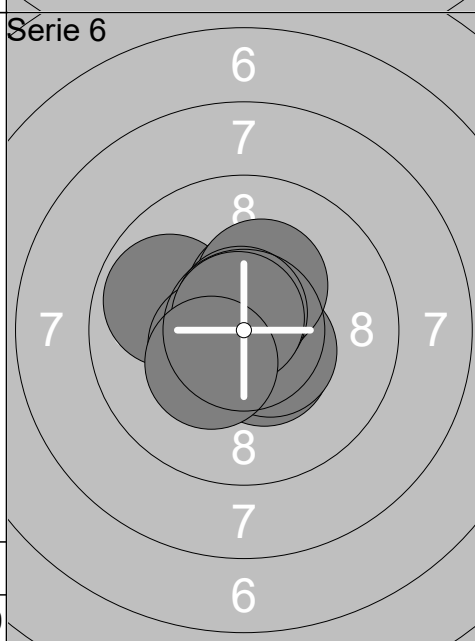
|               |              |
|---------------|--------------|
| 1:            | 10.3x ↑      |
| 2:            | 10.6x ↖      |
| 3:            | 10.5x ↑      |
| 4:            | 10.2x →      |
| 5:            | 10.5x ↓      |
| 6:            | 10.9x        |
| 7:            | 10.8x ↘      |
| 8:            | 10.1 ↗       |
| 9:            | 10.4x ←      |
| 10:           | 10.6x ↑      |
| <b>Series</b> | <b>104.9</b> |
|               | <b>313.5</b> |



|               |              |
|---------------|--------------|
| 1:            | 10.8x ↑      |
| 2:            | 10.7x ←      |
| 3:            | 10.7x ↓      |
| 4:            | 10.7x ←      |
| 5:            | 10.3x ↓      |
| 6:            | 10.9x ↑      |
| 7:            | 10.6x ←      |
| 8:            | 10.1 ←       |
| 9:            | 10.1 ↖       |
| 10:           | 10.4x ↓      |
| <b>Series</b> | <b>105.3</b> |
|               | <b>418.8</b> |

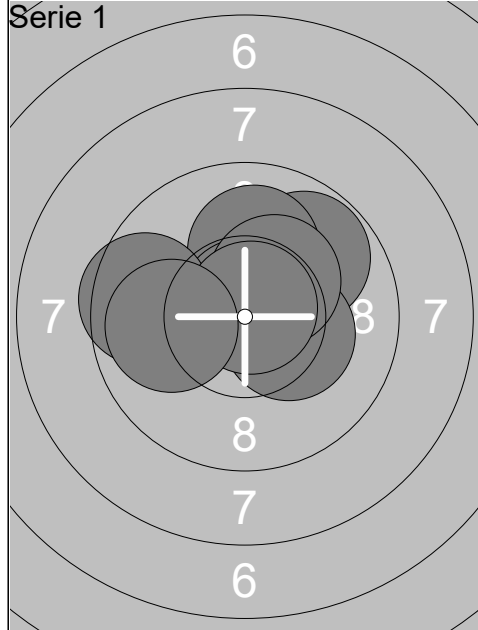


|               |              |
|---------------|--------------|
| 1:            | 10.0 ↖       |
| 2:            | 10.5x ←      |
| 3:            | 10.6x ↗      |
| 4:            | 10.2x ↘      |
| 5:            | 10.8x ↖      |
| 6:            | 10.1 ↖       |
| 7:            | 10.3x ↘      |
| 8:            | 10.8x ↑      |
| 9:            | 10.6x ↗      |
| 10:           | 10.2x ↘      |
| <b>Series</b> | <b>104.1</b> |
|               | <b>522.9</b> |

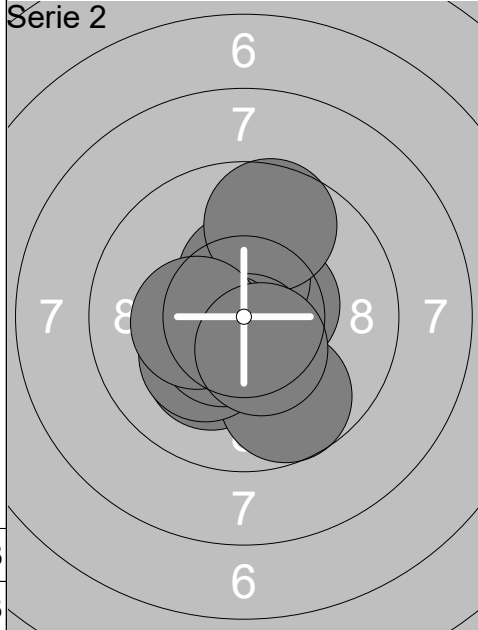


|               |              |
|---------------|--------------|
| 1:            | 10.7x ←      |
| 2:            | 9.8 ↖        |
| 3:            | 10.4x ↘      |
| 4:            | 10.5x ←      |
| 5:            | 10.5x ↘      |
| 6:            | 10.4x ↑      |
| 7:            | 10.3x ↗      |
| 8:            | 10.7x ↑      |
| 9:            | 10.7x ↖      |
| 10:           | 10.3x ↘      |
| <b>Series</b> | <b>104.3</b> |
|               | <b>627.2</b> |

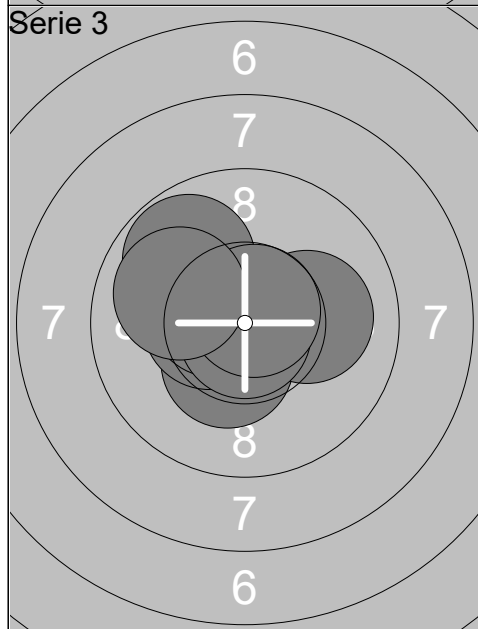




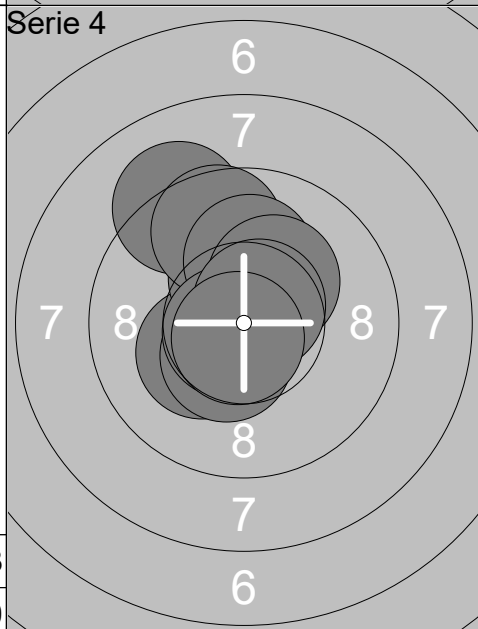
|               |              |
|---------------|--------------|
| 1:            | 10.5x ↗      |
| 2:            | 10.3x →      |
| 3:            | 9.8 ↗        |
| 4:            | 10.3x →      |
| 5:            | 10.1 ↑       |
| 6:            | 10.8x ↑      |
| 7:            | 10.3x ↗      |
| 8:            | 9.5 ←        |
| 9:            | 10.8x ↗      |
| 10:           | 9.9 ←        |
| <b>Series</b> | <b>102.3</b> |
|               | <b>102.3</b> |



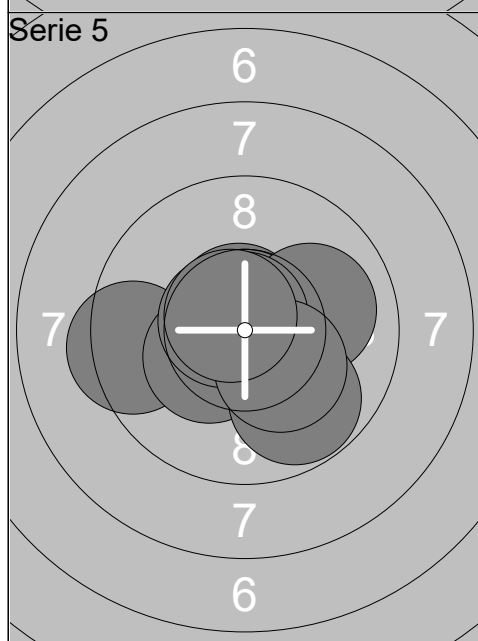
|               |              |
|---------------|--------------|
| 1:            | 10.2x ↘      |
| 2:            | 10.5x →      |
| 3:            | 10.4x ↑      |
| 4:            | 9.7 ↘        |
| 5:            | 9.6 ↑        |
| 6:            | 10.2x ↘      |
| 7:            | 10.6x ↓      |
| 8:            | 10.5x ↘      |
| 9:            | 10.3x ←      |
| 10:           | 10.4x ↘      |
| <b>Series</b> | <b>102.4</b> |
|               | <b>204.7</b> |



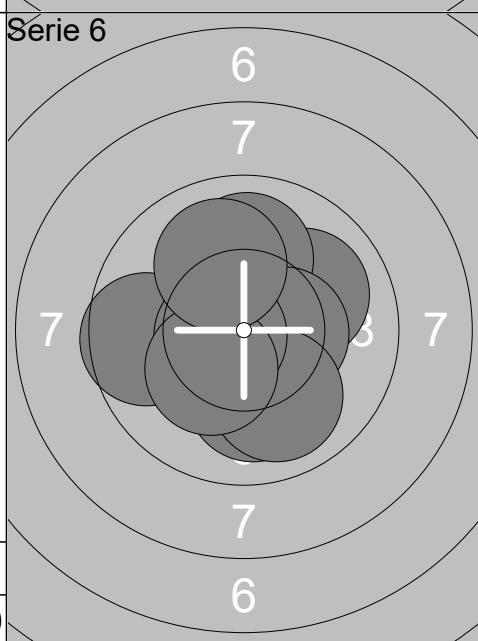
|               |              |
|---------------|--------------|
| 1:            | 10.5x ↘      |
| 2:            | 10.4x ↘      |
| 3:            | 10.4x ←      |
| 4:            | 10.1 →       |
| 5:            | 10.5x ↙      |
| 6:            | 10.8x ↓      |
| 7:            | 10.1 ↙       |
| 8:            | 9.8 ↙        |
| 9:            | 10.7x ↗      |
| 10:           | 10.0 ←       |
| <b>Series</b> | <b>103.3</b> |
|               | <b>308.0</b> |



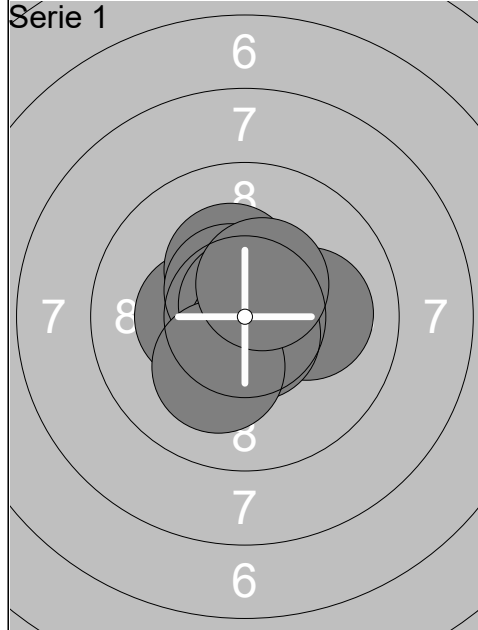
|               |              |
|---------------|--------------|
| 1:            | 10.2x ↘      |
| 2:            | 10.4x ↘      |
| 3:            | 10.3x ↑      |
| 4:            | 9.1 ↖        |
| 5:            | 9.6 ↑        |
| 6:            | 10.1 ↑       |
| 7:            | 10.2x ↗      |
| 8:            | 10.7x ↙      |
| 9:            | 10.6x ↗      |
| 10:           | 10.7x ↘      |
| <b>Series</b> | <b>101.9</b> |
|               | <b>409.9</b> |



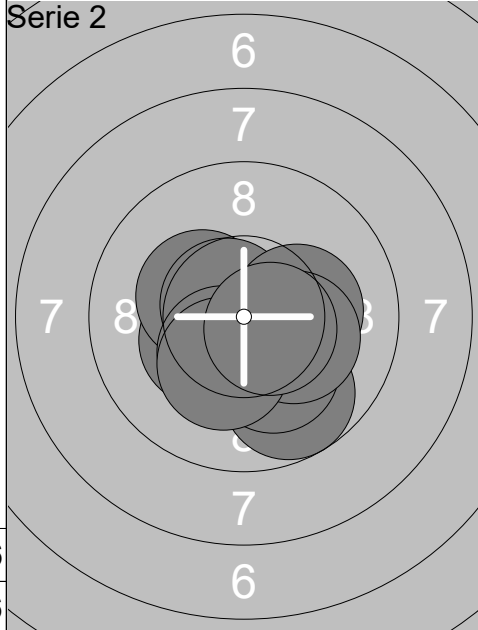
|               |              |
|---------------|--------------|
| 1:            | 9.4 ←        |
| 2:            | 10.3x ↘      |
| 3:            | 10.6x ↑      |
| 4:            | 10.7x ↑      |
| 5:            | 10.0 →       |
| 6:            | 10.8x ↑      |
| 7:            | 10.6x ↙      |
| 8:            | 9.8 ↘        |
| 9:            | 10.2x ↘      |
| 10:           | 10.7x ↖      |
| <b>Series</b> | <b>103.1</b> |
|               | <b>513.0</b> |



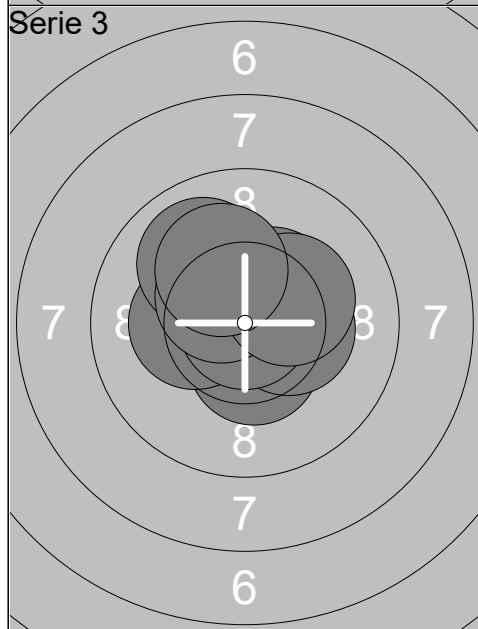
|               |              |
|---------------|--------------|
| 1:            | 10.1 ↓       |
| 2:            | 10.0 →       |
| 3:            | 10.2x ↘      |
| 4:            | 10.0 ↑       |
| 5:            | 10.4x →      |
| 6:            | 9.6 ←        |
| 7:            | 9.9 ↘        |
| 8:            | 10.6x ←      |
| 9:            | 10.3x ↘      |
| 10:           | 10.0 ↖       |
| <b>Series</b> | <b>101.1</b> |
|               | <b>614.1</b> |



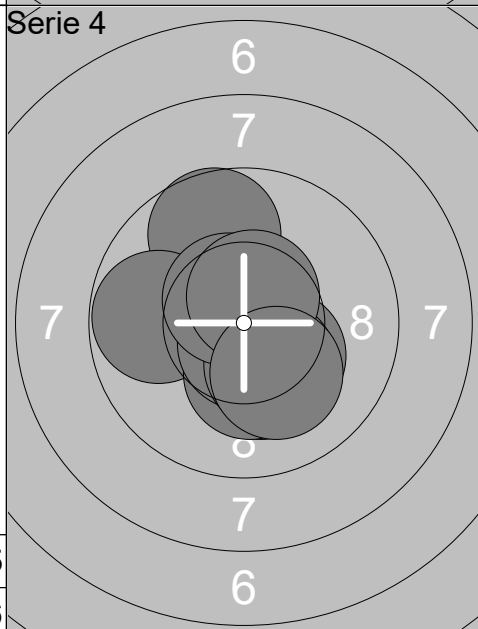
|               |              |
|---------------|--------------|
| 1:            | 10.3x ←      |
| 2:            | 10.1 →       |
| 3:            | 10.3x ↗      |
| 4:            | 10.6x ↓      |
| 5:            | 10.5x ↖      |
| 6:            | 10.7x ↗      |
| 7:            | 10.8x ↑      |
| 8:            | 10.7x ↓      |
| 9:            | 10.2x ↓      |
| 10:           | 10.4x ↗      |
| <b>Series</b> | <b>104.6</b> |
|               | <b>104.6</b> |



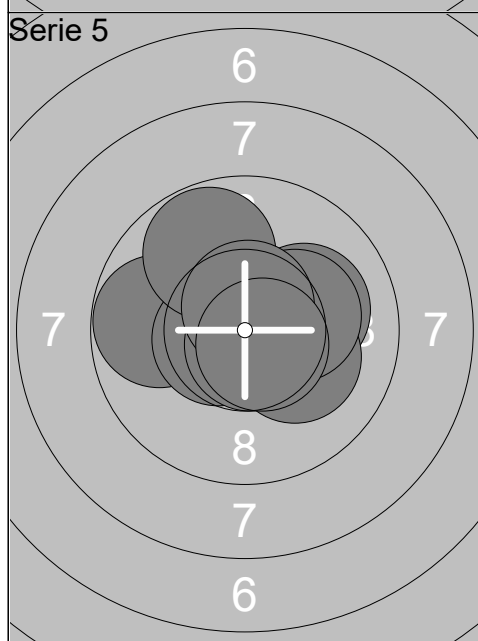
|               |              |
|---------------|--------------|
| 1:            | 9.7 ↘        |
| 2:            | 10.1 ↘       |
| 3:            | 10.3x ↙      |
| 4:            | 10.3x ↖      |
| 5:            | 10.6x ↖      |
| 6:            | 10.2x →      |
| 7:            | 10.2x →      |
| 8:            | 10.4x ↓      |
| 9:            | 10.2x ↓      |
| 10:           | 10.5x →      |
| <b>Series</b> | <b>102.5</b> |
|               | <b>207.1</b> |



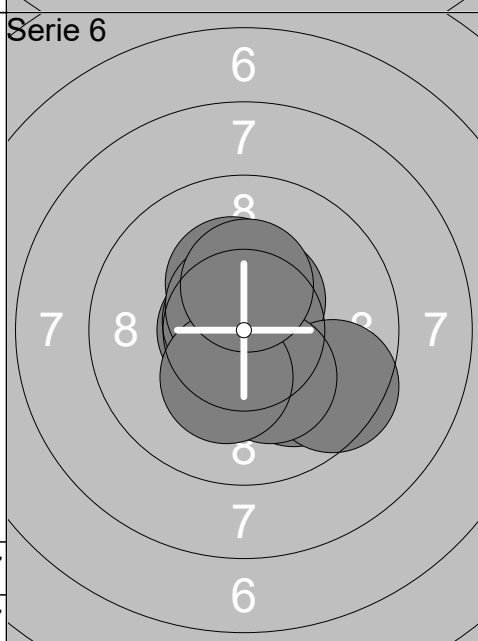
|               |              |
|---------------|--------------|
| 1:            | 10.4x ↗      |
| 2:            | 10.4x ↓      |
| 3:            | 10.4x →      |
| 4:            | 10.3x →      |
| 5:            | 10.3x ←      |
| 6:            | 10.9x        |
| 7:            | 10.0 ↖       |
| 8:            | 10.4x ↖      |
| 9:            | 10.3x →      |
| 10:           | 10.1 ↖       |
| <b>Series</b> | <b>103.5</b> |
|               | <b>310.6</b> |



|               |              |
|---------------|--------------|
| 1:            | 9.7 ↑        |
| 2:            | 9.8 ←        |
| 3:            | 10.3x ↘      |
| 4:            | 10.2x ↓      |
| 5:            | 10.3x ↓      |
| 6:            | 10.6x ↓      |
| 7:            | 10.3x ↓      |
| 8:            | 10.5x ↗      |
| 9:            | 10.6x ↑      |
| 10:           | 10.1 ↓       |
| <b>Series</b> | <b>102.4</b> |
|               | <b>413.0</b> |

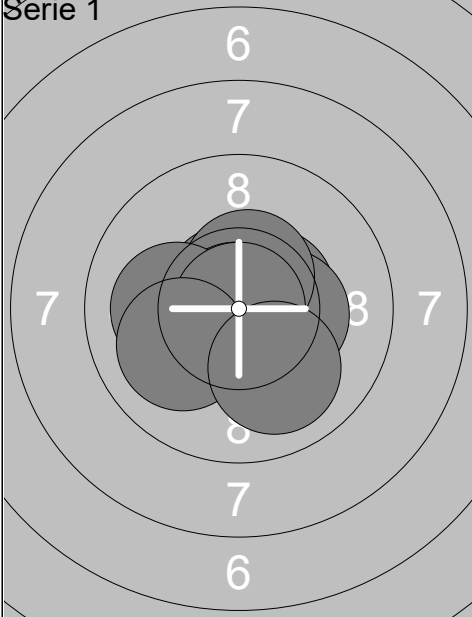
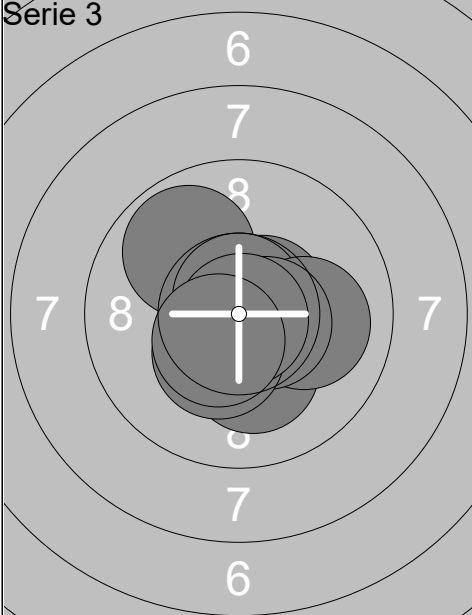
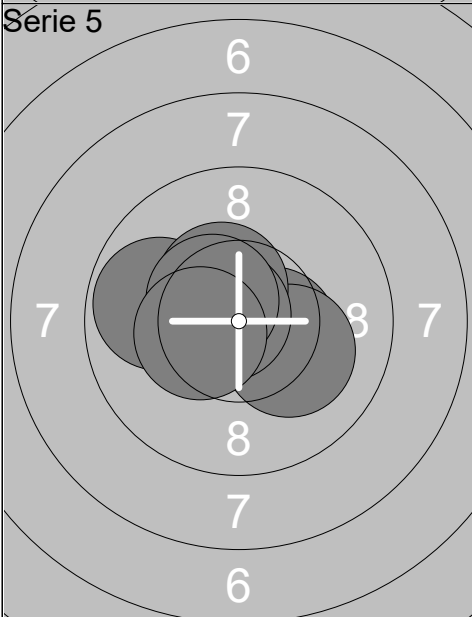


|               |              |
|---------------|--------------|
| 1:            | 9.8 ←        |
| 2:            | 10.3x →      |
| 3:            | 10.5x ←      |
| 4:            | 10.7x ↓      |
| 5:            | 10.1 →       |
| 6:            | 9.8 ↖        |
| 7:            | 10.1 ↘       |
| 8:            | 10.2x →      |
| 9:            | 10.6x ↑      |
| 10:           | 10.6x ↘      |
| <b>Series</b> | <b>102.7</b> |
|               | <b>515.7</b> |



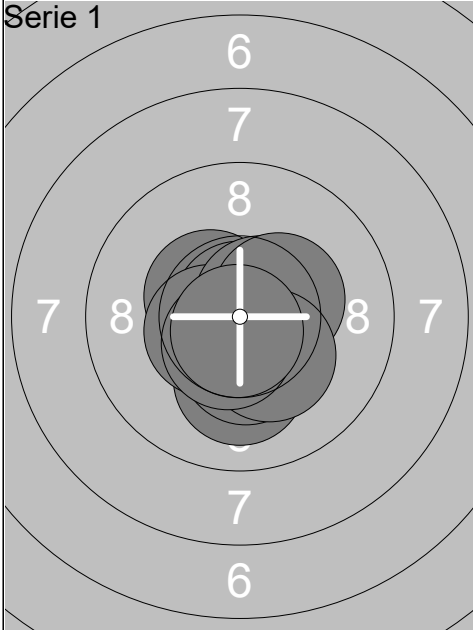
|               |              |
|---------------|--------------|
| 1:            | 10.0 ↘       |
| 2:            | 10.5x ↗      |
| 3:            | 10.6x ←      |
| 4:            | 10.7x ↖      |
| 5:            | 10.3x ↑      |
| 6:            | 10.6x ↗      |
| 7:            | 9.5 ↘        |
| 8:            | 10.2x ↓      |
| 9:            | 10.2x ↓      |
| 10:           | 10.3x ↑      |
| <b>Series</b> | <b>102.9</b> |
|               | <b>618.6</b> |

| Relay                  | Lane                           | Qian Xiu Adele Tan    |              |  |
|------------------------|--------------------------------|-----------------------|--------------|--|
| Day 2 Denmark Open Air | Singapore Shooting Association | W                     |              |  |
| 15.02.2020             | Day 2 Denmark Open Air 2020    | Denmark Open Air 2020 |              |  |
| Serie 1<br>            | 1: 10.3x ↖                     | Serie 2<br>           | 1: 10.6x ↓   |  |
|                        | 2: 10.4x ↖                     |                       | 2: 10.2x ↗   |  |
|                        | 3: 10.7x ↖                     |                       | 3: 10.4x ↗   |  |
|                        | 4: 10.5x ↙                     |                       | 4: 10.7x →   |  |
|                        | 5: 10.3x ↓                     |                       | 5: 10.4x →   |  |
|                        | 6: 10.6x ↖                     |                       | 6: 10.2x ↓   |  |
|                        | 7: 10.4x →                     |                       | 7: 10.5x ↖   |  |
|                        | 8: 10.5x →                     |                       | 8: 10.6x →   |  |
|                        | 9: 10.4x ↗                     |                       | 9: 10.3x ↖   |  |
|                        | 10: 10.2x ↓                    |                       | 10: 10.1 ↖   |  |
|                        | Series 104.3                   |                       | Series 104.0 |  |
|                        | 104.3                          |                       | 208.3        |  |
| Serie 3<br>            | 1: 10.2x ↓                     | Serie 4<br>           | 1: 10.5x ←   |  |
|                        | 2: 10.5x ↓                     |                       | 2: 10.5x →   |  |
|                        | 3: 10.4x ←                     |                       | 3: 10.5x ↑   |  |
|                        | 4: 10.6x ↖                     |                       | 4: 10.8x ←   |  |
|                        | 5: 10.4x ↗                     |                       | 5: 10.4x ↑   |  |
|                        | 6: 10.4x ↗                     |                       | 6: 10.5x ←   |  |
|                        | 7: 10.7x →                     |                       | 7: 10.6x ↗   |  |
|                        | 8: 10.6x ↓                     |                       | 8: 10.3x ↓   |  |
|                        | 9: 10.6x ↗                     |                       | 9: 10.6x ←   |  |
|                        | 10: 10.5x ↓                    |                       | 10: 10.3x ↓  |  |
|                        | Series 104.9                   |                       | Series 105.0 |  |
|                        | 313.2                          |                       | 418.2        |  |
| Serie 5<br>            | 1: 10.7x ←                     | Serie 6<br>           | 1: 10.2x ↖   |  |
|                        | 2: 10.4x ↖                     |                       | 2: 10.3x ↖   |  |
|                        | 3: 10.5x ↓                     |                       | 3: 10.8x ↙   |  |
|                        | 4: 10.7x ↓                     |                       | 4: 10.7x ↓   |  |
|                        | 5: 10.1 ↓                      |                       | 5: 9.9 ↓     |  |
|                        | 6: 10.8x →                     |                       | 6: 10.4x ↓   |  |
|                        | 7: 10.2x ←                     |                       | 7: 10.7x ↗   |  |
|                        | 8: 10.1 ↑                      |                       | 8: 10.4x ↑   |  |
|                        | 9: 10.5x ↑                     |                       | 9: 10.4x ↗   |  |
|                        | 10: 10.7x ↖                    |                       | 10: 10.9x ↓  |  |
|                        | Series 104.7                   |                       | Series 104.7 |  |
|                        | 522.9                          |                       | 627.6        |  |

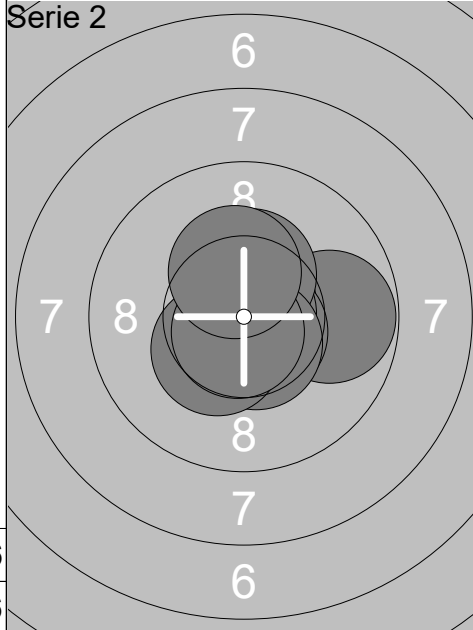
| Relay                  | Lane   | Rikke Ibsen  |                       |   |
|------------------------|--|--|-----------------------|---|
| 3                      | 27   | Trehøje Skytteforening   |                       | W   |
| Day 2 Denmark Open Air | 15.02.2020   | Day 2 Denmark Open Air 2020  | Denmark Open Air 2020 |   |
| Serie 1                |    | 1: 10.7x ↖<br>2: 10.5x ↗<br>3: 10.6x →<br>4: 10.3x →<br>5: 10.5x ↑<br>6: 10.9x ←<br>7: 10.1 ←<br>8: 10.9x<br>9: 10.0 ↙<br>10: 10.0 ↓   | Serie 2               | 1: 10.6x ↘<br>2: 10.3x ←<br>3: 10.3x ↖<br>4: 10.6x ↓<br>5: 10.3x ↙<br>6: 10.6x →<br>7: 10.7x ↑<br>8: 10.2x →<br>9: 10.4x ↘<br>10: 10.1 ↓  |
|                        |  | Series 104.5   | Series 104.1          |   |
|                        |  | 104.5  | 208.6                 |   |
| Serie 3                |   | 1: 10.6x ↗<br>2: 9.8 ↖<br>3: 10.4x ↓<br>4: 10.7x ↑<br>5: 10.2x ↓<br>6: 10.0 →<br>7: 10.5x →<br>8: 10.4x ↘<br>9: 10.8x ↓<br>10: 10.5x ↘ | Serie 4               | 1: 10.5x ↙<br>2: 10.2x ↓<br>3: 10.7x ←<br>4: 10.2x ←<br>5: 10.7x ←<br>6: 10.5x ↗<br>7: 10.2x →<br>8: 10.2x ↘<br>9: 10.3x ↓<br>10: 10.6x ← |
|                        |  | Series 103.9   | Series 104.1          |   |
|                        |  | 312.5  | 416.6                 |   |
| Serie 5                |  | 1: 10.8x ←<br>2: 10.6x ←<br>3: 10.5x →<br>4: 10.6x ←<br>5: 9.8 ←<br>6: 10.1 ↘<br>7: 10.4x ↖<br>8: 10.7x ←<br>9: 10.5x ↖<br>10: 10.4x ← | Serie 6               | 1: 10.6x ↑<br>2: 10.7x ←<br>3: 10.6x ↘<br>4: 10.5x ↑<br>5: 10.8x ↑<br>6: 10.3x ↘<br>7: 10.2x →<br>8: 9.8 ↖<br>9: 10.6x ↓<br>10: 10.7x ↖   |
|                        |  | Series 104.4   | Series 104.8          |   |
|                        |  | 521.0  | 625.8                 |   |

| Relay                  | Lane         | Stine Holtze Nielsen        |                       |   |
|------------------------|--------------|-----------------------------|-----------------------|---|
| 3                      | 28           | Sørslev Skytteforening      |                       | W |
| Day 2 Denmark Open Air | 15.02.2020   | Day 2 Denmark Open Air 2020 | Denmark Open Air 2020 |   |
| Serie 1<br>            | 1: 10.6x ↙   | Serie 2<br>                 | 1: 10.8x ↓            |   |
|                        | 2: 10.5x ↗   |                             | 2: 10.5x ↗            |   |
|                        | 3: 10.6x ↗   |                             | 3: 10.3x ←            |   |
|                        | 4: 9.9 ↗     |                             | 4: 10.5x ↗            |   |
|                        | 5: 10.4x ↗   |                             | 5: 10.8x →            |   |
|                        | 6: 10.4x →   |                             | 6: 10.7x ←            |   |
|                        | 7: 10.5x ↖   |                             | 7: 10.9x ←            |   |
|                        | 8: 10.9x ←   |                             | 8: 10.7x ↖            |   |
|                        | 9: 10.6x ←   |                             | 9: 10.9x ↓            |   |
|                        | 10: 10.8x →  |                             | 10: 10.8x ↗           |   |
|                        | Series 105.2 |                             | Series 106.9          |   |
|                        | 105.2        |                             | 212.1                 |   |
| Serie 3<br>            | 1: 10.2x ↓   | Serie 4<br>                 | 1: 10.4x ←            |   |
|                        | 2: 9.8 ←     |                             | 2: 10.3x ↓            |   |
|                        | 3: 10.5x →   |                             | 3: 10.0 ←             |   |
|                        | 4: 10.0 ↗    |                             | 4: 9.7 ↗              |   |
|                        | 5: 10.5x ↖   |                             | 5: 10.4x ↙            |   |
|                        | 6: 10.7x ↓   |                             | 6: 10.2x ↗            |   |
|                        | 7: 10.8x ↗   |                             | 7: 10.9x ↙            |   |
|                        | 8: 10.4x ↖   |                             | 8: 9.6 →              |   |
|                        | 9: 10.4x ↗   |                             | 9: 10.3x ↓            |   |
|                        | 10: 10.4x ↖  |                             | 10: 10.2x →           |   |
|                        | Series 103.7 |                             | Series 102.0          |   |
|                        | 315.8        |                             | 417.8                 |   |
| Serie 5<br>            | 1: 10.2x ←   | Serie 6<br>                 | 1: 10.3x ←            |   |
|                        | 2: 10.5x ↖   |                             | 2: 10.4x ←            |   |
|                        | 3: 10.5x ↗   |                             | 3: 9.7 ↓              |   |
|                        | 4: 10.8x →   |                             | 4: 9.3 ↗              |   |
|                        | 5: 10.4x ↗   |                             | 5: 10.6x ↘            |   |
|                        | 6: 8.9 ↘     |                             | 6: 10.7x ←            |   |
|                        | 7: 9.9 ↓     |                             | 7: 10.1 ↗             |   |
|                        | 8: 10.3x ↖   |                             | 8: 10.3x ↘            |   |
|                        | 9: 10.1 ↗    |                             | 9: 10.6x ←            |   |
|                        | 10: 10.9x ↓  |                             | 10: 10.7x ↖           |   |
|                        | Series 102.5 |                             | Series 102.7          |   |
|                        | 520.3        |                             | 623.0                 |   |

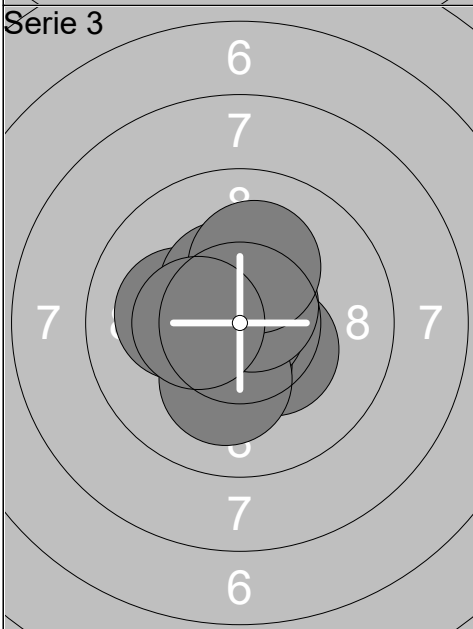
| Relay                  | Lane                        | Sara Brix Sivertsen   |              |  |
|------------------------|-----------------------------|-----------------------|--------------|--|
| Day 2 Denmark Open Air | Ølstykke Skytteforening     | W                     |              |  |
| 15.02.2020             | Day 2 Denmark Open Air 2020 | Denmark Open Air 2020 |              |  |
| Serie 1<br>            | 1: 9.9 ↘                    | Serie 2<br>           | 1: 9.5 ↑     |  |
|                        | 2: 10.4x ↑                  |                       | 2: 10.3x ↗   |  |
|                        | 3: 10.1 →                   |                       | 3: 10.9x ↗   |  |
|                        | 4: 10.1 ↗                   |                       | 4: 10.2x ↑   |  |
|                        | 5: 9.5 ←                    |                       | 5: 9.7 ↗     |  |
|                        | 6: 10.4x ←                  |                       | 6: 10.1 ↑    |  |
|                        | 7: 10.5x →                  |                       | 7: 10.1 ↗    |  |
|                        | 8: 10.5x ↓                  |                       | 8: 10.7x ↓   |  |
|                        | 9: 10.0 ↑                   |                       | 9: 10.4x ↓   |  |
|                        | 10: 10.7x ↓                 |                       | 10: 10.3x ↘  |  |
|                        | Series 102.1                |                       | Series 102.2 |  |
|                        | 102.1                       |                       | 204.3        |  |
| Serie 3<br>            | 1: 10.5x ↓                  | Serie 4<br>           | 1: 10.6x →   |  |
|                        | 2: 10.5x ←                  |                       | 2: 9.8 ↙     |  |
|                        | 3: 10.1 ←                   |                       | 3: 9.8 ←     |  |
|                        | 4: 10.7x →                  |                       | 4: 10.6x ↘   |  |
|                        | 5: 10.0 ↙                   |                       | 5: 10.1 ↗    |  |
|                        | 6: 10.5x →                  |                       | 6: 9.7 ↑     |  |
|                        | 7: 10.7x ←                  |                       | 7: 10.7x ↓   |  |
|                        | 8: 10.1 →                   |                       | 8: 10.6x ↑   |  |
|                        | 9: 10.2x ↑                  |                       | 9: 9.9 →     |  |
|                        | 10: 9.7 ↖                   |                       | 10: 10.2x ↑  |  |
|                        | Series 103.0                |                       | Series 102.0 |  |
|                        | 307.3                       |                       | 409.3        |  |
| Serie 5<br>            | 1: 10.6x ←                  | Serie 6<br>           | 1: 10.1 ←    |  |
|                        | 2: 9.1 ↑                    |                       | 2: 10.5x ↘   |  |
|                        | 3: 10.6x ↖                  |                       | 3: 10.6x ↑   |  |
|                        | 4: 9.6 ↑                    |                       | 4: 10.1 ↑    |  |
|                        | 5: 10.4x ↖                  |                       | 5: 10.8x ↘   |  |
|                        | 6: 10.3x →                  |                       | 6: 10.7x →   |  |
|                        | 7: 10.3x ↖                  |                       | 7: 10.8x →   |  |
|                        | 8: 10.7x ↗                  |                       | 8: 10.3x ↖   |  |
|                        | 9: 10.7x ↑                  |                       | 9: 10.0 ↑    |  |
|                        | 10: 10.6x ↓                 |                       | 10: 10.1 ←   |  |
|                        | Series 102.9                |                       | Series 104.0 |  |
|                        | 512.2                       |                       | 616.2        |  |



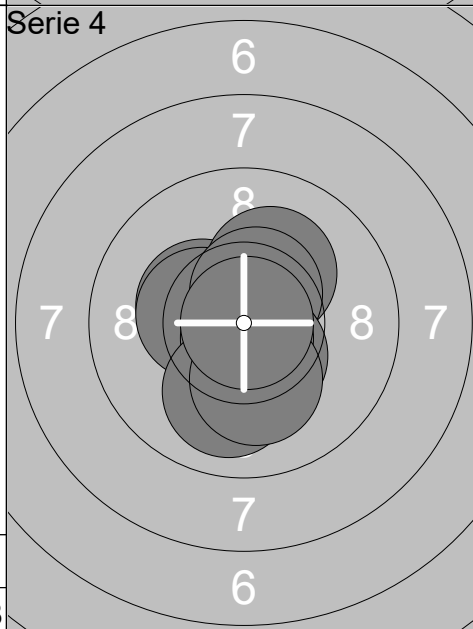
|        |         |
|--------|---------|
| 1:     | 10.4x ↖ |
| 2:     | 10.1 ↓  |
| 3:     | 10.8x ↑ |
| 4:     | 10.5x ↙ |
| 5:     | 10.4x ↓ |
| 6:     | 10.6x ↗ |
| 7:     | 10.3x ↗ |
| 8:     | 10.3x ↘ |
| 9:     | 10.5x ↓ |
| 10:    | 10.7x ↓ |
| Series | 104.6   |
|        | 104.6   |



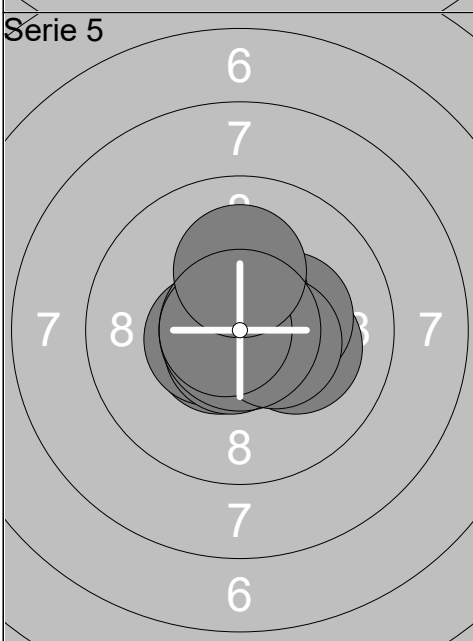
|        |         |
|--------|---------|
| 1:     | 9.8 →   |
| 2:     | 10.8x ↗ |
| 3:     | 10.6x ↘ |
| 4:     | 10.8x ↓ |
| 5:     | 10.8x ↗ |
| 6:     | 10.4x ↑ |
| 7:     | 10.5x ↓ |
| 8:     | 10.4x ↙ |
| 9:     | 10.7x ↓ |
| 10:    | 10.3x ↑ |
| Series | 105.1   |
|        | 209.7   |



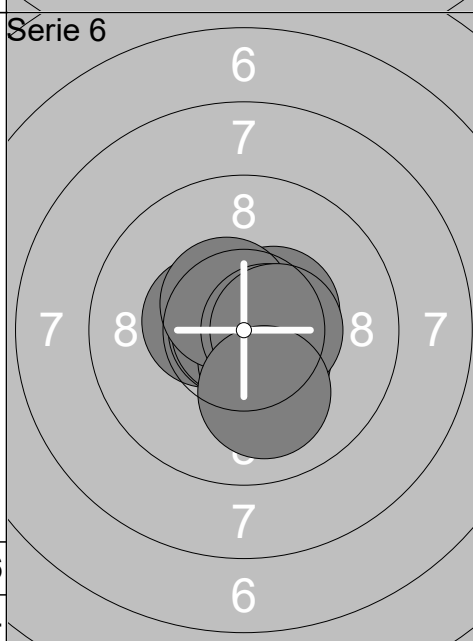
|        |         |
|--------|---------|
| 1:     | 10.6x ↙ |
| 2:     | 10.1 ←  |
| 3:     | 10.4x ↘ |
| 4:     | 10.4x ↓ |
| 5:     | 10.4x ↖ |
| 6:     | 10.9x   |
| 7:     | 10.1 ↓  |
| 8:     | 10.6x ↗ |
| 9:     | 10.2x ↑ |
| 10:    | 10.4x ← |
| Series | 104.1   |
|        | 313.8   |



|        |         |
|--------|---------|
| 1:     | 10.3x ↙ |
| 2:     | 10.3x ↙ |
| 3:     | 10.2x ↗ |
| 4:     | 10.5x ↑ |
| 5:     | 10.5x ↓ |
| 6:     | 10.4x ↓ |
| 7:     | 10.7x ↓ |
| 8:     | 10.0 ↓  |
| 9:     | 10.2x ↓ |
| 10:    | 10.9x → |
| Series | 104.0   |
|        | 417.8   |



|        |         |
|--------|---------|
| 1:     | 10.7x ↘ |
| 2:     | 10.1 →  |
| 3:     | 10.6x ↙ |
| 4:     | 10.5x ↙ |
| 5:     | 10.3x → |
| 6:     | 10.5x ↑ |
| 7:     | 10.7x ↓ |
| 8:     | 10.4x → |
| 9:     | 10.7x ← |
| 10:    | 10.1 ↑  |
| Series | 104.6   |
|        | 522.4   |



|        |         |
|--------|---------|
| 1:     | 10.5x ↙ |
| 2:     | 10.5x → |
| 3:     | 10.5x ↗ |
| 4:     | 10.8x ↙ |
| 5:     | 10.8x ↙ |
| 6:     | 10.5x ↘ |
| 7:     | 10.5x ↖ |
| 8:     | 10.6x → |
| 9:     | 10.5x → |
| 10:    | 10.1 ↓  |
| Series | 105.3   |
|        | 627.7   |