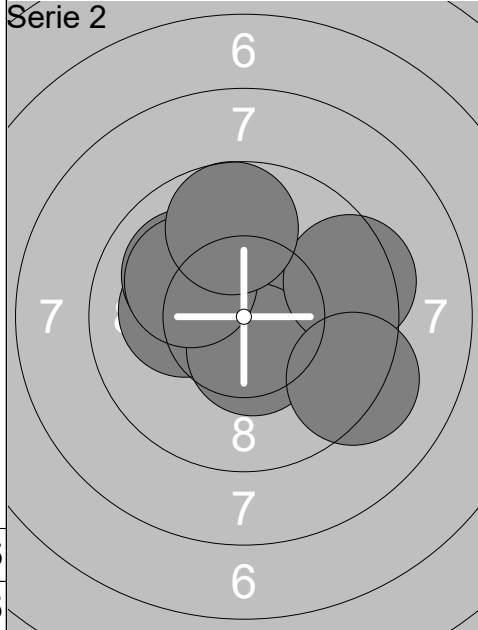
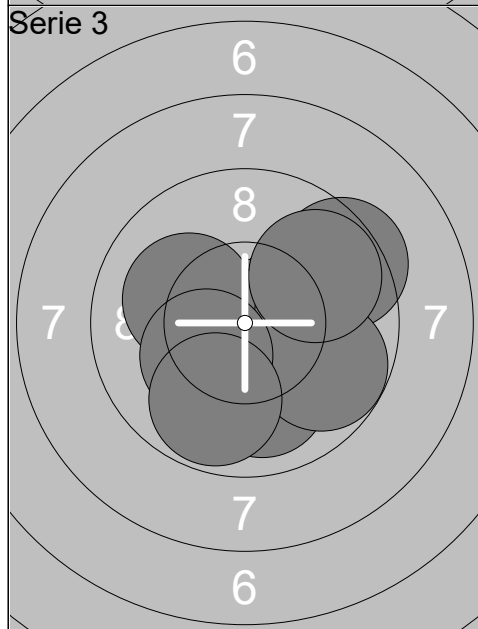


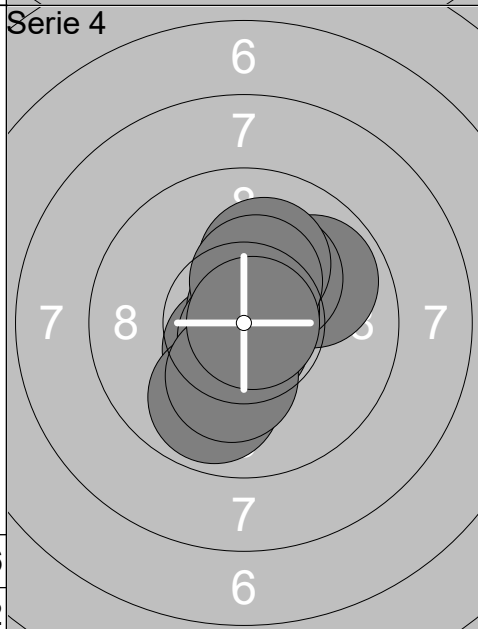
1:	9.9 ↗
2:	9.6 ↑
3:	10.4x ↗
4:	10.7x ↓
5:	10.0 ↘
6:	10.2x ↓
7:	10.0 ↓
8:	9.7 ↗
9:	10.3x ↓
10:	10.7x →
Series	101.5
	101.5



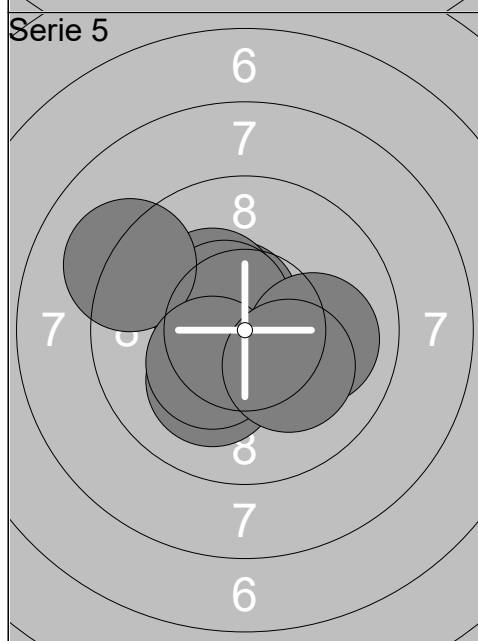
1:	10.5x ↙
2:	10.1 →
3:	10.1 ←
4:	10.5x ↘
5:	10.5x ↓
6:	9.4 →
7:	10.0 ↗
8:	10.1 ↖
9:	9.7 ↑
10:	9.2 ↘
Series	100.1
	201.6



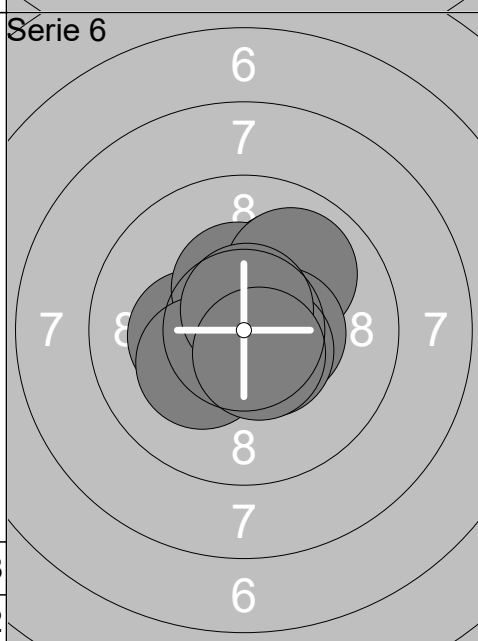
1:	9.4 ↗
2:	10.2x →
3:	10.0 ↓
4:	10.5x ↓
5:	10.9x ↘
6:	10.1 ←
7:	9.7 →
8:	10.2x ↙
9:	9.8 ↓
10:	9.8 ↗
Series	100.6
	302.2



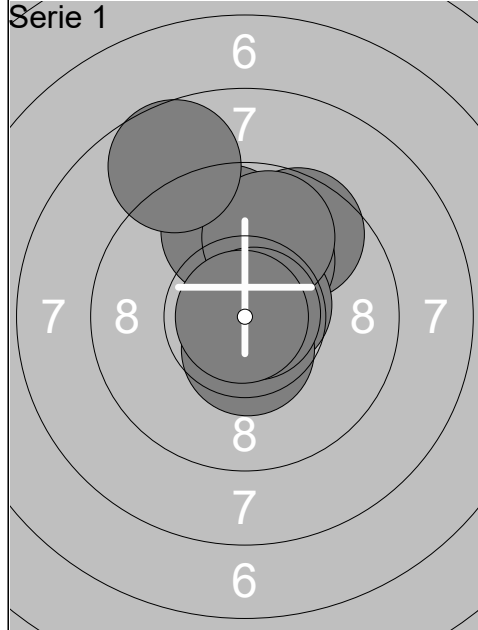
1:	10.5x ↓
2:	9.8 ↗
3:	10.2x ↗
4:	10.1 ↑
5:	10.7x ↗
6:	10.7x ↓
7:	9.8 ↓
8:	10.4x ↑
9:	10.2x ↓
10:	10.8x →
Series	103.2
	405.4



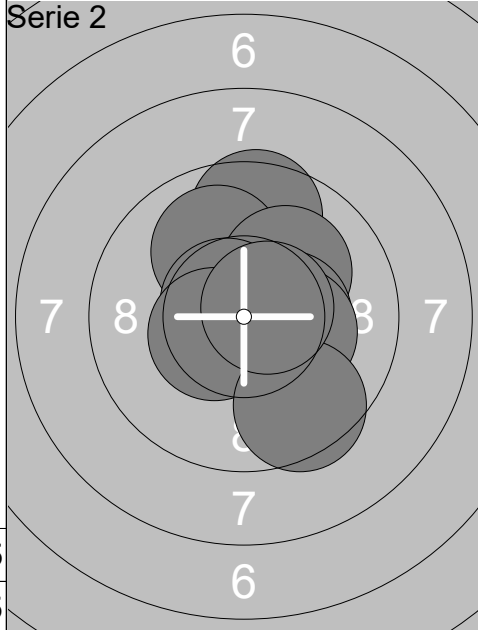
1:	10.6x ↗
2:	10.3x ↖
3:	10.1 ↓
4:	10.5x ↙
5:	10.3x →
6:	10.5x ↗
7:	10.0 →
8:	9.1 ←
9:	10.3x ↙
10:	10.1 ↓
Series	101.8
	507.2



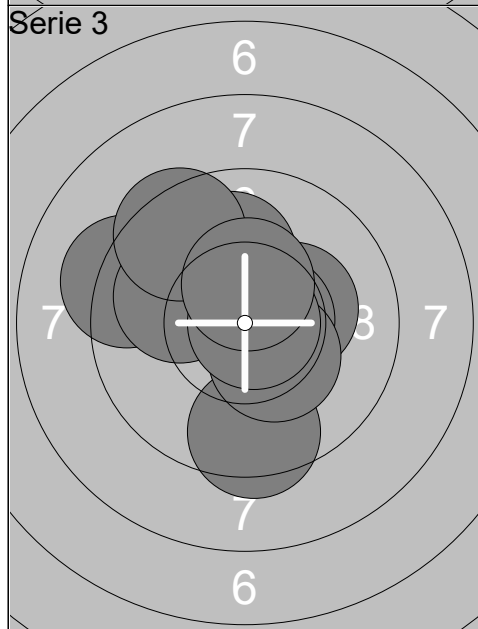
1:	10.3x ↙
2:	10.6x ↙
3:	10.0 ↗
4:	10.4x ↑
5:	9.9 ↗
6:	10.2x ↙
7:	10.4x →
8:	10.5x ↘
9:	10.6x ↑
10:	10.5x ↓
Series	103.4
	610.6



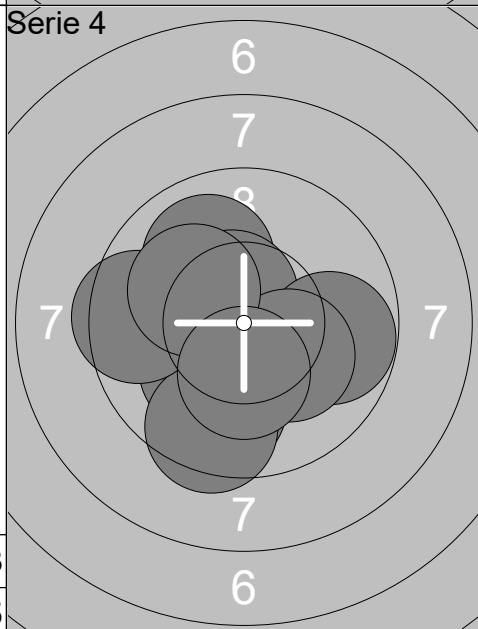
1:	9.6 ↗
2:	10.1 ↗
3:	10.8x →
4:	10.6x →
5:	10.5x ↓
6:	9.7 ↑
7:	9.8 ↑
8:	10.8x →
9:	10.9x ←
10:	8.7 ↖
<b>Series</b>	<b>101.5</b>
	<b>101.5</b>



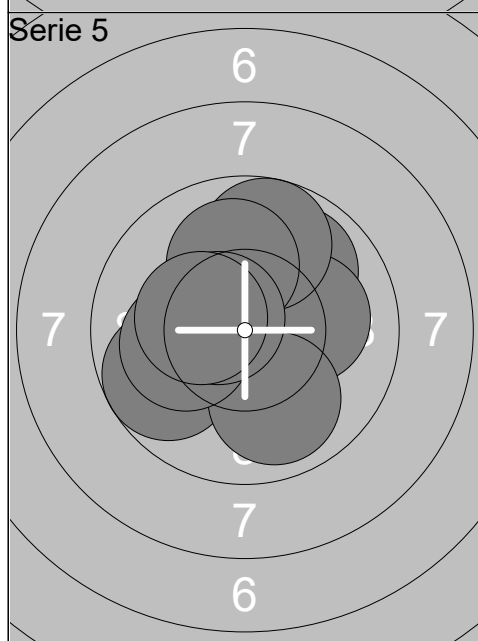
1:	9.5 ↑
2:	10.4x ↑
3:	10.0 ↖
4:	10.1 ↗
5:	10.6x ↖
6:	10.4x →
7:	10.2x →
8:	10.4x ↙
9:	9.5 ↓
10:	10.6x →
<b>Series</b>	<b>101.7</b>
	<b>203.2</b>



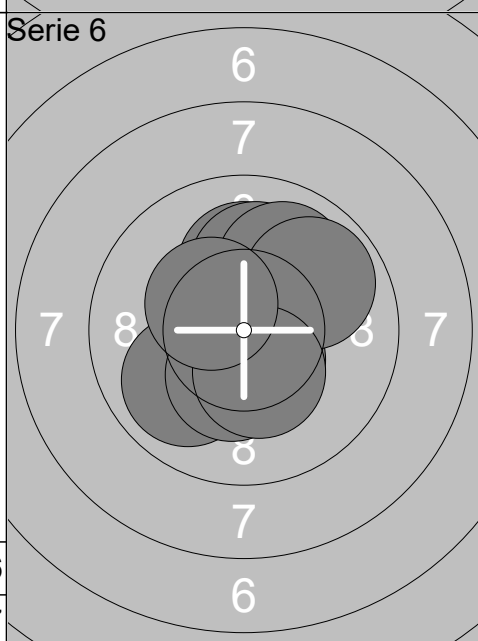
1:	9.4 ↓
2:	10.2x →
3:	9.2 ↖
4:	10.0 ↑
5:	10.0 ↖
6:	10.6x →
7:	9.4 ↗
8:	10.3x ↘
9:	10.8x →
10:	10.4x ↑
<b>Series</b>	<b>100.3</b>
	<b>303.5</b>



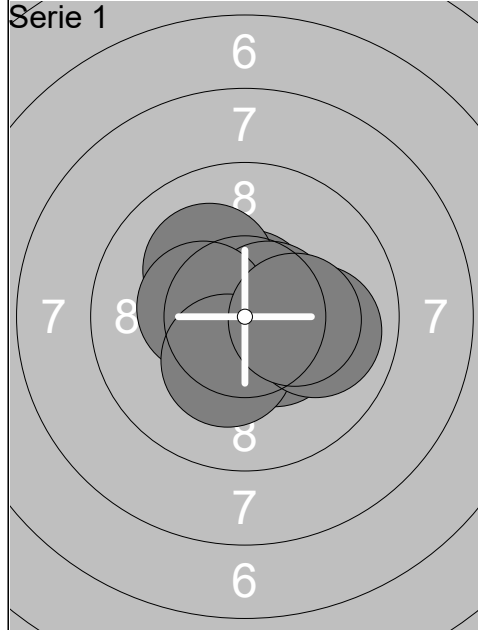
1:	9.8 ↓
2:	10.1 ↙
3:	10.0 ↖
4:	9.5 ↓
5:	10.5x ↑
6:	9.7 →
7:	9.5 ←
8:	10.2x ↘
9:	10.1 ↖
10:	10.2x ↓
<b>Series</b>	<b>99.6</b>
	<b>403.1</b>



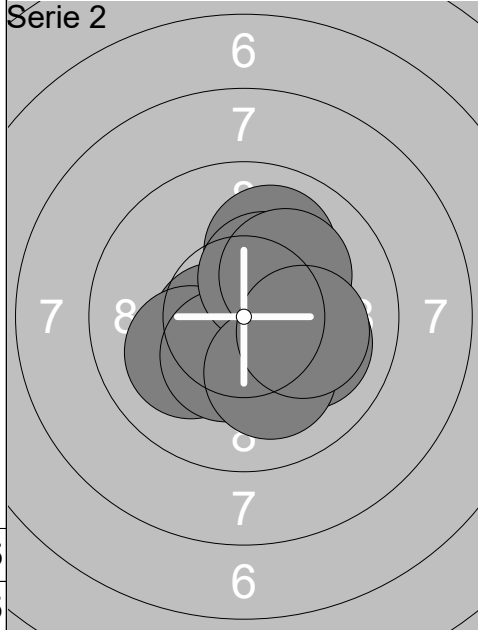
1:	9.9 ↗
2:	10.4x →
3:	10.1 →
4:	9.7 ↑
5:	10.0 ↑
6:	9.7 ↖
7:	9.9 ↓
8:	10.1 ←
9:	10.5x ↖
10:	10.3x ↖
<b>Series</b>	<b>100.6</b>
	<b>503.7</b>



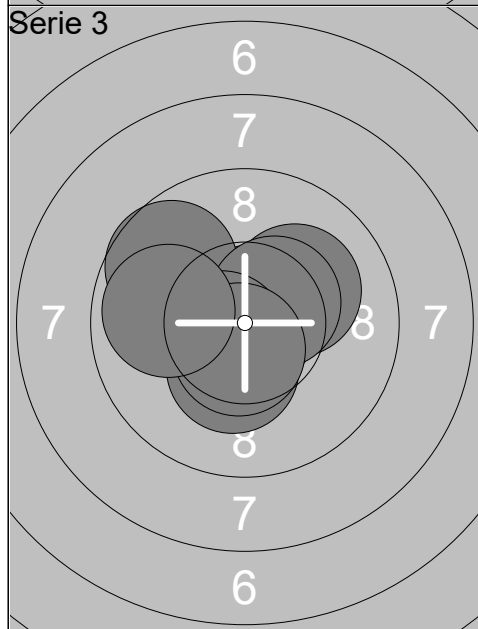
1:	10.5x ↓
2:	10.1 ↑
3:	9.9 ↙
4:	10.1 ↑
5:	10.0 ↗
6:	10.7x ↖
7:	10.3x ↓
8:	9.8 ↗
9:	10.3x ↓
10:	10.4x ↖
<b>Series</b>	<b>102.1</b>
	<b>605.8</b>



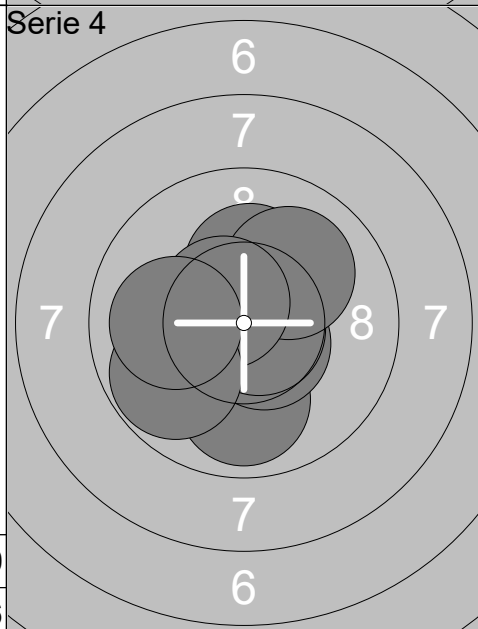
1:	10.3x →
2:	10.6x →
3:	10.6x ↑
4:	10.1 ↖
5:	10.6x →
6:	10.4x ↘
7:	10.4x ←
8:	10.3x ↓
9:	10.0 →
10:	10.2x →
<b>Series</b>	<b>103.5</b>
	<b>103.5</b>



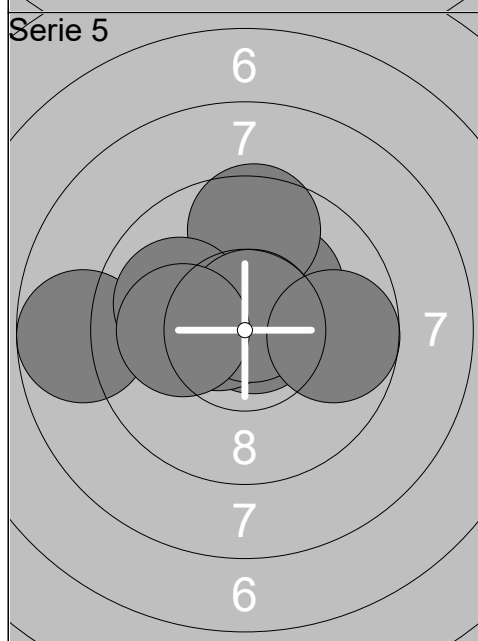
1:	10.6x →
2:	10.5x ←
3:	10.0 ↑
4:	10.1 ←
5:	10.3x ↓
6:	10.3x ↗
7:	10.1 ↗
8:	10.0 →
9:	10.1 ↓
10:	10.1 →
<b>Series</b>	<b>102.1</b>
	<b>205.6</b>



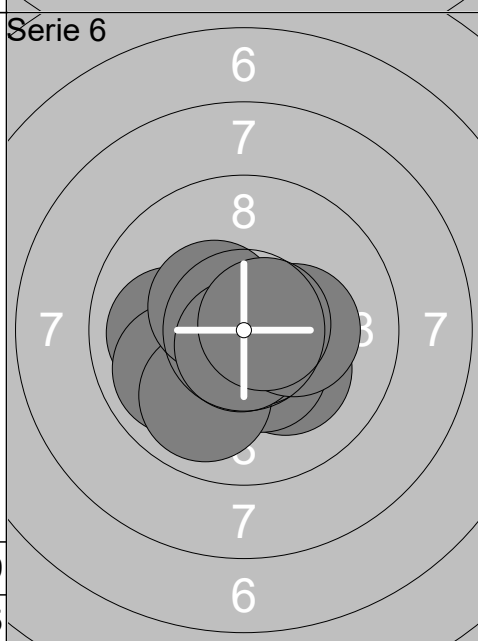
1:	10.7x ↗
2:	10.0 ←
3:	10.9x →
4:	9.7 ↖
5:	10.1 ↗
6:	10.4x ↗
7:	10.5x ←
8:	10.3x ↓
9:	10.5x ↓
10:	9.9 ←
<b>Series</b>	<b>103.0</b>
	<b>308.6</b>



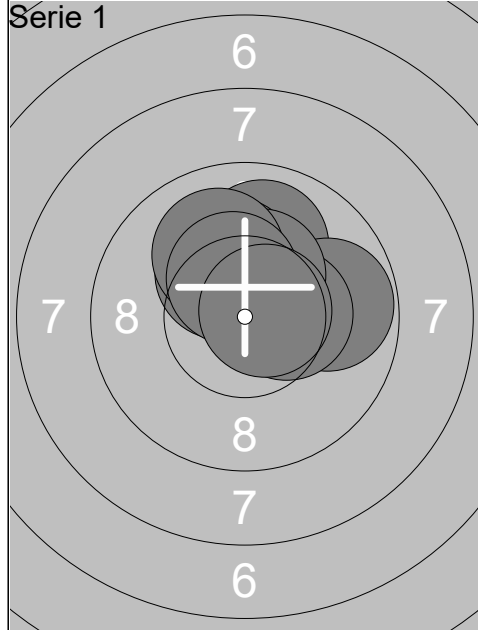
1:	9.9 ↓
2:	10.6x ↘
3:	10.2x ↑
4:	10.8x ↑
5:	10.5x ↘
6:	10.7x →
7:	10.0 ↗
8:	10.5x ↖
9:	9.8 ↖
10:	10.0 ←
<b>Series</b>	<b>103.0</b>
	<b>411.6</b>



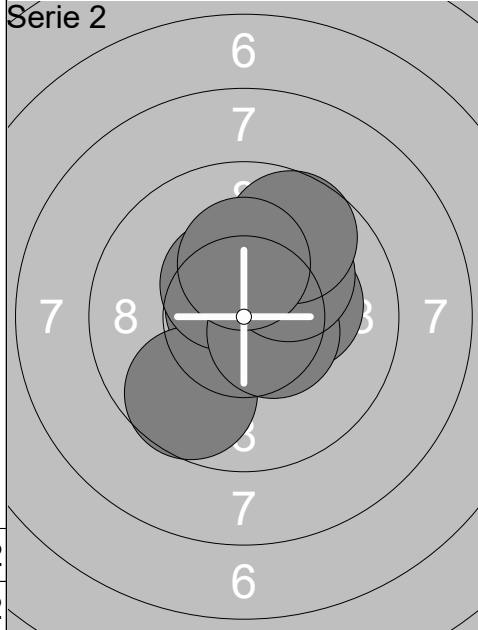
1:	8.7 ←
2:	10.2x ↗
3:	10.8x →
4:	10.5x ↖
5:	9.6 ↑
6:	10.6x ←
7:	10.0 ←
8:	10.7x ↗
9:	10.1 ←
10:	9.7 →
<b>Series</b>	<b>100.9</b>
	<b>512.5</b>



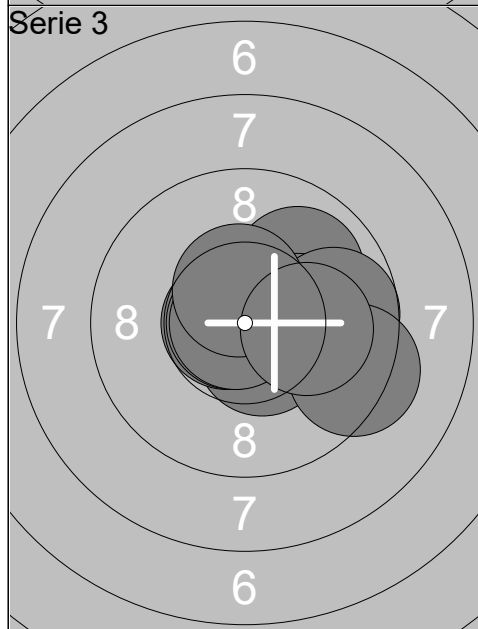
1:	10.0 ←
2:	10.2x ↘
3:	10.4x ↓
4:	10.7x ↘
5:	9.9 ←
6:	9.9 ↓
7:	10.4x ↖
8:	10.7x ↓
9:	10.3x →
10:	10.7x →
<b>Series</b>	<b>103.2</b>
	<b>615.7</b>



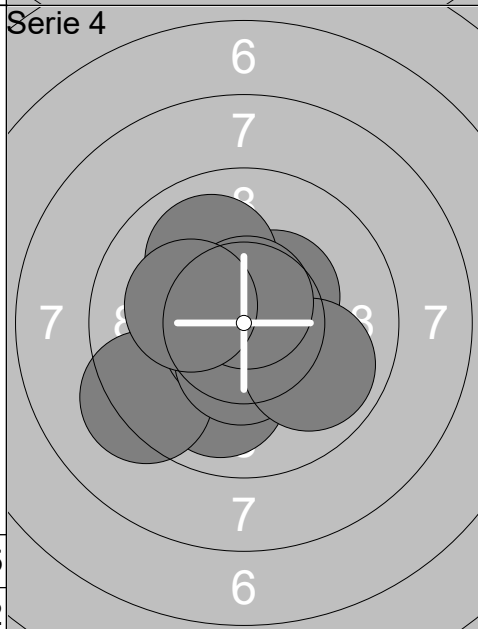
1:	10.2x ↑
2:	10.0 ↑
3:	10.2x ↖
4:	9.8 →
5:	10.2x ↑
6:	10.4x →
7:	10.3x ↑
8:	10.0 ↑
9:	10.4x ↑
10:	10.7x →
<b>Series</b>	<b>102.2</b>
	<b>102.2</b>



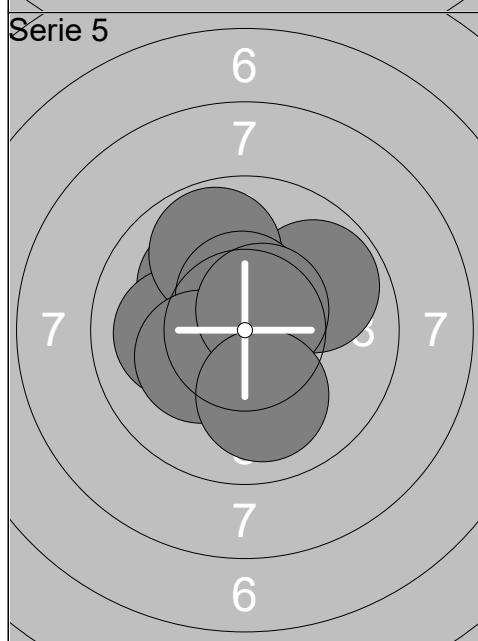
1:	10.6x ⇒
2:	10.2x →
3:	10.7x ↖
4:	9.6 ↓
5:	10.4x ↖
6:	10.5x →
7:	10.5x ⇒
8:	10.1 ↗
9:	9.7 ↗
10:	10.2x ↑
<b>Series</b>	<b>102.5</b>
	<b>204.7</b>



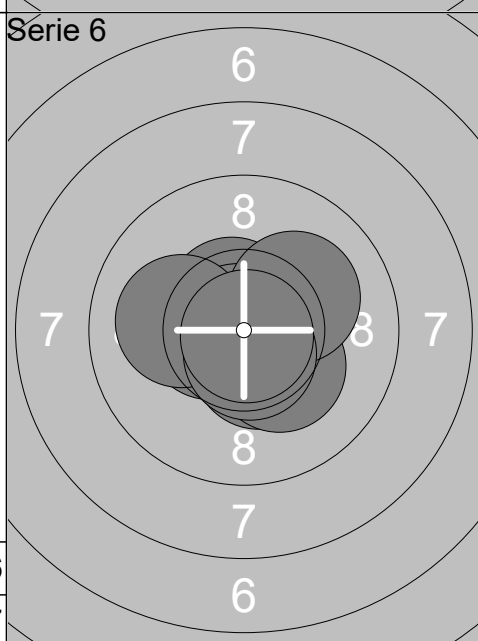
1:	9.9 ↗
2:	10.5x ↓
3:	10.7x ←
4:	10.2x →
5:	10.8x ←
6:	9.7 →
7:	9.3 ⇒
8:	10.8x ←
9:	10.5x ↑
10:	10.1 →
<b>Series</b>	<b>102.5</b>
	<b>307.2</b>



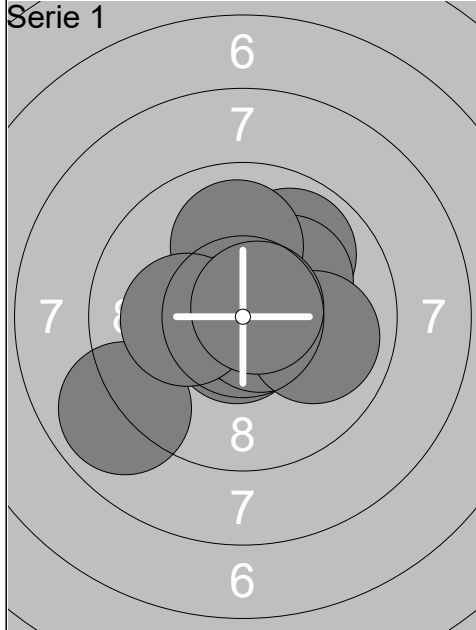
1:	10.4x ↗
2:	10.0 ↓
3:	10.4x ←
4:	9.3 ↙
5:	10.6x ↙
6:	10.0 ↖
7:	10.4x ↓
8:	9.9 ⇒
9:	10.7x ↑
10:	10.2x ←
<b>Series</b>	<b>101.9</b>
	<b>409.1</b>



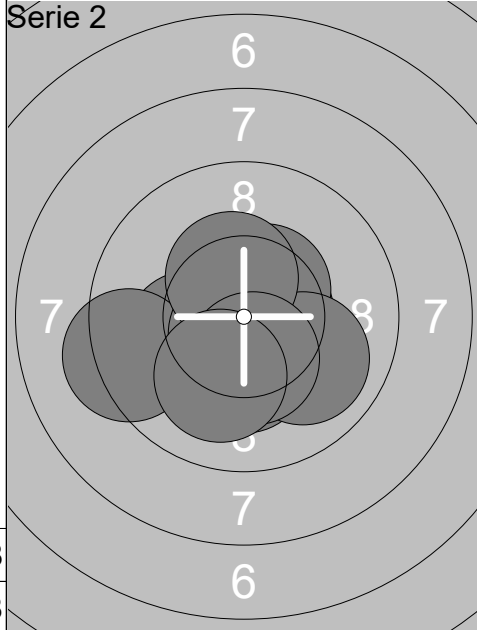
1:	10.2x ←
2:	10.3x ↖
3:	9.8 ↗
4:	10.1 ↖
5:	10.1 ←
6:	9.8 ↑
7:	10.5x ↑
8:	10.2x ↙
9:	10.6x ↗
10:	10.0 ↓
<b>Series</b>	<b>101.6</b>
	<b>510.7</b>



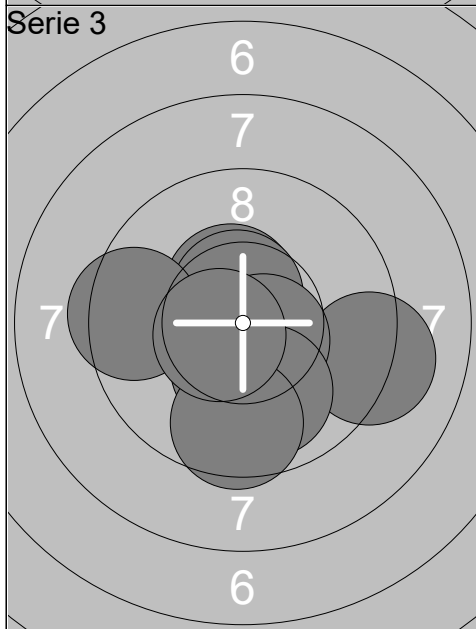
1:	10.5x ↑
2:	10.4x ↓
3:	10.4x ⇒
4:	10.5x ←
5:	10.9x ←
6:	10.2x ↓
7:	10.1 ↗
8:	10.1 ←
9:	10.6x ↓
10:	10.8x ↓
<b>Series</b>	<b>104.5</b>
	<b>615.2</b>



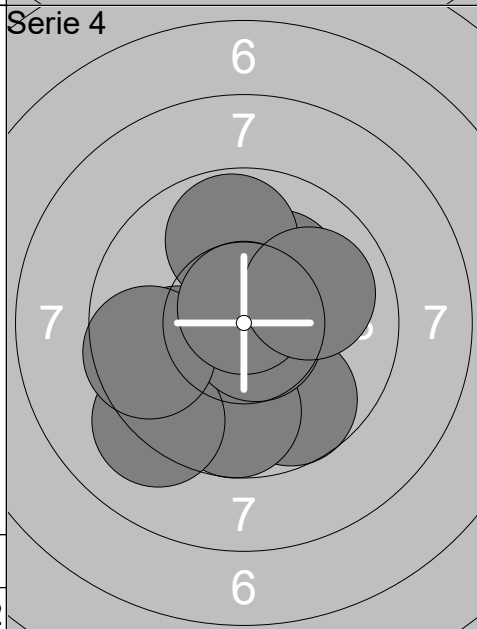
1:	9.9 ↗
2:	10.1 ↗
3:	10.0 ↑
4:	10.6x ↓
5:	8.9 ↙
6:	10.9x
7:	10.6x ➔
8:	9.9 ➔
9:	10.2x ←
10:	10.7x ↗
<b>Series</b>	<b>101.8</b>
	<b>101.8</b>



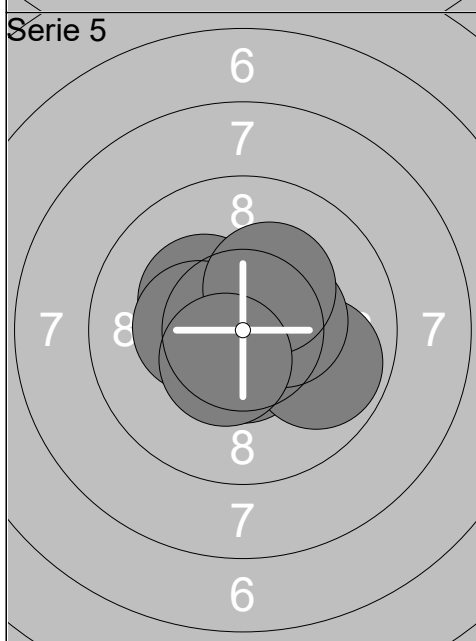
1:	10.2x ←
2:	10.6x ➔
3:	9.3 ←
4:	10.5x ↗
5:	10.7x ↓
6:	10.3x ↓
7:	9.9 ➔
8:	10.4x ↑
9:	10.3x ↓
10:	10.1 ↓
<b>Series</b>	<b>102.3</b>
	<b>204.1</b>



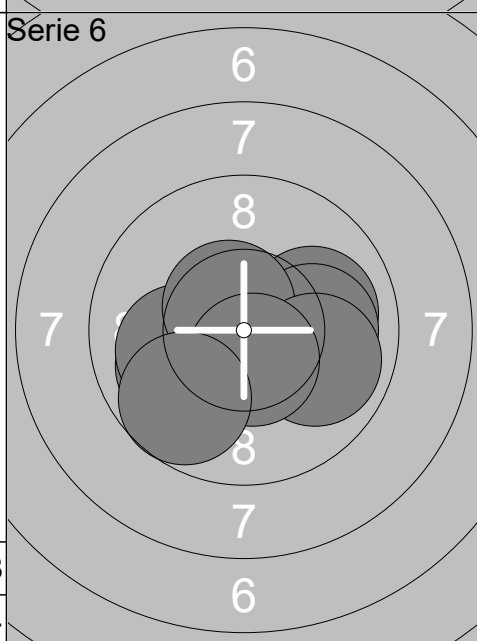
1:	10.6x ←
2:	10.3x ↓
3:	9.1 ➔
4:	10.4x ↑
5:	10.6x ↑
6:	10.5x ➔
7:	9.5 ←
8:	9.9 ↓
9:	9.6 ↓
10:	10.6x ←
<b>Series</b>	<b>101.1</b>
	<b>305.2</b>



1:	9.7 ↓
2:	10.0 ←
3:	9.7 ↓
4:	9.1 ↙
5:	10.7x ➔
6:	10.1 ↗
7:	9.8 ↑
8:	9.6 ←
9:	10.7x ↑
10:	10.0 ➔
<b>Series</b>	<b>99.4</b>
	<b>404.6</b>



1:	10.6x ↓
2:	9.8 ➔
3:	10.6x ↓
4:	10.3x ↙
5:	10.6x ➔
6:	10.4x ↗
7:	10.3x ←
8:	10.4x ➔
9:	10.3x ↗
10:	10.5x ↓
<b>Series</b>	<b>103.8</b>
	<b>508.4</b>



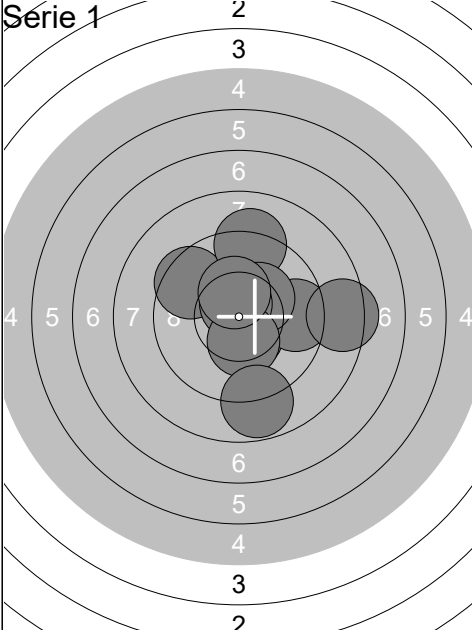
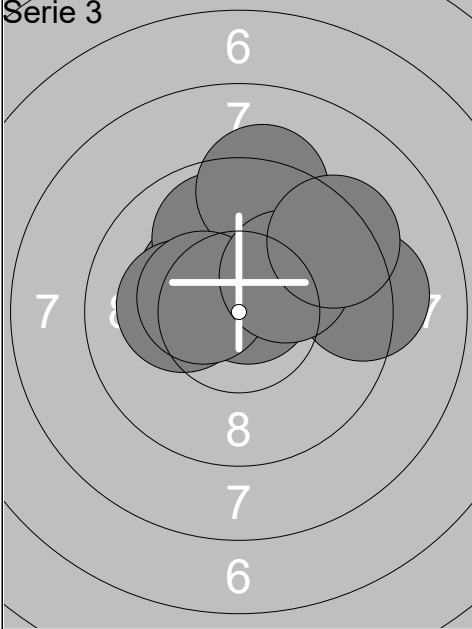
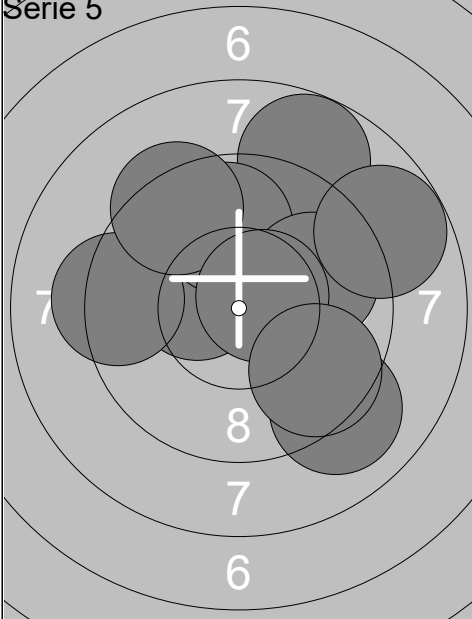
1:	10.0 ➔
2:	10.6x ➔
3:	10.8x ➔
4:	10.0 ➔
5:	10.0 ←
6:	10.0 ←
7:	10.6x ↙
8:	9.9 ➔
9:	10.5x ↓
10:	9.7 ↙
<b>Series</b>	<b>102.1</b>
	<b>610.5</b>

Relay	Lane	Jonas Andersen		
4	16	Day 3 Denmark Open Air	Trehøje Skytteforening	MJ
16.02.2020	Day 3 Denmark Open Air 2020	Denmark Open Air 2020		
Serie 1 	1: 10.1 ↓	Serie 2 	1: 9.8 ↙	
	2: 10.5x ↓		2: 10.5x ↑	
	3: 10.2x ↑		3: 9.7 →	
	4: 10.3x ↑		4: 8.9 ←	
	5: 9.7 ↗		5: 9.9 ←	
	6: 9.6 ←		6: 10.6x ↓	
	7: 9.6 ←		7: 10.2x ↑	
	8: 10.2x →		8: 10.3x ↓	
	9: 10.2x →		9: 10.6x ↗	
	10: 10.9x ↖		10: 10.2x ↖	
	Series 101.3		Series 100.7	
	101.3		202.0	
Serie 3 	1: 9.3 →	Serie 4 	1: 9.1 →	
	2: 9.7 ←		2: 10.3x ↙	
	3: 10.2x ↖		3: 10.1 ←	
	4: 9.8 ←		4: 9.8 →	
	5: 10.2x ↗		5: 10.1 ↗	
	6: 10.1 ↗		6: 10.2x ↙	
	7: 10.5x ↓		7: 10.6x ↙	
	8: 10.5x ↙		8: 9.8 →	
	9: 10.7x ↖		9: 10.0 ←	
	10: 10.1 →		10: 9.2 ↗	
	Series 101.1		Series 99.2	
	303.1		402.3	
Serie 5 	1: 10.4x ↓	Serie 6 	1: 9.5 →	
	2: 10.4x ↗		2: 9.9 ↙	
	3: 10.8x ↗		3: 10.4x →	
	4: 9.9 ←		4: 10.5x ↓	
	5: 10.4x ↗		5: 9.9 ↓	
	6: 10.1 ↗		6: 9.9 ←	
	7: 10.6x ↙		7: 10.3x ↓	
	8: 10.4x →		8: 10.4x ↗	
	9: 10.3x ↙		9: 10.4x ↓	
	10: 10.8x ↙		10: 8.8 →	
	Series 104.1		Series 100.0	
	506.4		606.4	

Relay	Lane	Kasper Lousdal		
4	17	Day 3 Denmark Open Air	Boddum-Ydby Skytteforening	MJ
16.02.2020	Day 3 Denmark Open Air 2020	Denmark Open Air 2020		
Série 1 	1: 10.0 →	Série 2 	1: 10.6x ↗	
	2: 8.5 ↑		2: 8.8 →	
	3: 9.9 ↓		3: 9.3 ↓	
	4: 9.2 →		4: 8.3 ↓	
	5: 9.4 ↑		5: 9.1 ↗	
	6: 9.6 ↗		6: 9.0 ←	
	7: 8.4 ↗		7: 9.1 ↗	
	8: 8.6 ←		8: 10.3x ↘	
	9: 9.9 ←		9: 10.0 ↗	
	10: 10.6x ←		10: 10.0 ↓	
	Series 94.1		Series 94.5	
	94.1		188.6	
Série 3 	1: 10.5x ↓	Série 4 	1: 9.0 ↓	
	2: 9.8 ↗		2: 8.7 ↓	
	3: 9.1 ←		3: 8.0 ↓	
	4: 9.5 →		4: 10.0 →	
	5: 9.4 ↑		5: 8.8 ↓	
	6: 10.7x ↗		6: 9.2 ↗	
	7: 9.6 ↓		7: 9.1 ↗	
	8: 9.9 →		8: 10.5x ↑	
	9: 10.4x ↑		9: 8.6 ↑	
	10: 9.2 ↓		10: 7.2 ↑	
	Series 98.1		Series 89.1	
	286.7		375.8	
Série 5 	1: 7.9 →	Série 6 	1: 9.5 ↓	
	2: 8.3 ↑		2: 10.5x →	
	3: 8.8 ↗		3: 8.6 ↗	
	4: 7.9 ↓		4: 8.9 ↑	
	5: 10.3x ↘		5: 9.5 ←	
	6: 9.1 ←		6: 8.7 ↘	
	7: 9.8 →		7: 10.1 ↗	
	8: 10.2x ↗		8: 9.2 ↓	
	9: 9.7 ↓		9: 8.7 ←	
	10: 9.6 →		10: 9.3 ↘	
	Series 91.6		Series 93.0	
	467.4		560.4	

Relay	Lane	Kristian Johansen		
4	18	Day 3 Denmark Open Air	Viborg Skytte Forening	MJ
16.02.2020	Day 3 Denmark Open Air 2020	Denmark Open Air 2020		
Serie 1 	1: 10.1 →	Serie 2 	1: 9.5 ↓	
	2: 10.2x ↗		2: 10.3x ↘	
	3: 10.0 →		3: 10.4x ⇒	
	4: 8.6 →		4: 9.9 →	
	5: 8.6 ↑		5: 9.8 ←	
	6: 9.0 →		6: 10.7x ↓	
	7: 9.3 ⇒		7: 10.2x →	
	8: 9.3 ↑		8: 10.6x ↑	
	9: 10.3x ↓		9: 8.7 ↓	
	10: 9.1 ↗		10: 10.7x ↓	
	Series 94.5		Series 100.8	
	94.5		195.3	
Serie 3 	1: 9.5 ⇒	Serie 4 	1: 7.8 ⇒	
	2: 10.1 ↓		2: 9.1 ←	
	3: 10.0 ↖		3: 8.9 ←	
	4: 9.7 →		4: 10.1 ←	
	5: 10.7x ↑		5: 10.5x ←	
	6: 10.8x ↖		6: 10.3x ↗	
	7: 9.7 ↗		7: 10.3x ↖	
	8: 9.6 ←		8: 10.6x ↖	
	9: 9.4 ↑		9: 10.1 ←	
	10: 9.7 ↘		10: 9.7 ↓	
	Series 99.2		Series 97.4	
	294.5		391.9	
Serie 5 	1: 9.8 →	Serie 6 	1: 7.7 ←	
	2: 10.7x →		2: 9.3 ↗	
	3: 10.2x ↑		3: 10.3x ↖	
	4: 9.9 ↑		4: 10.3x ↓	
	5: 10.7x ↖		5: 10.0 →	
	6: 10.0 ↖		6: 10.0 ↑	
	7: 10.3x ↘		7: 9.1 ↑	
	8: 9.3 →		8: 8.3 →	
	9: 10.7x ↙		9: 10.3x ↗	
	10: 10.4x ↑		10: 10.3x →	
	Series 102.0		Series 95.6	
	493.9		589.5	

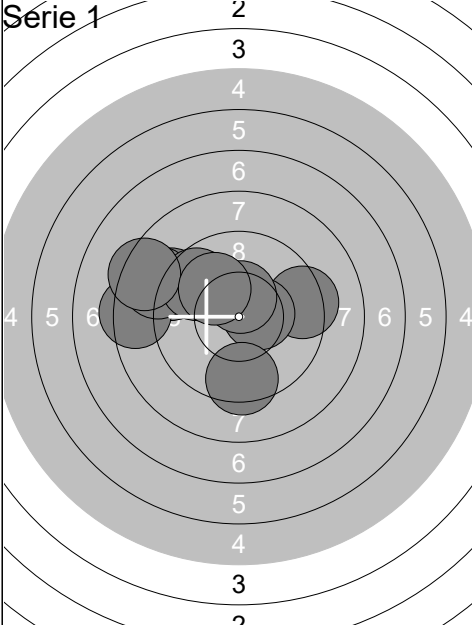
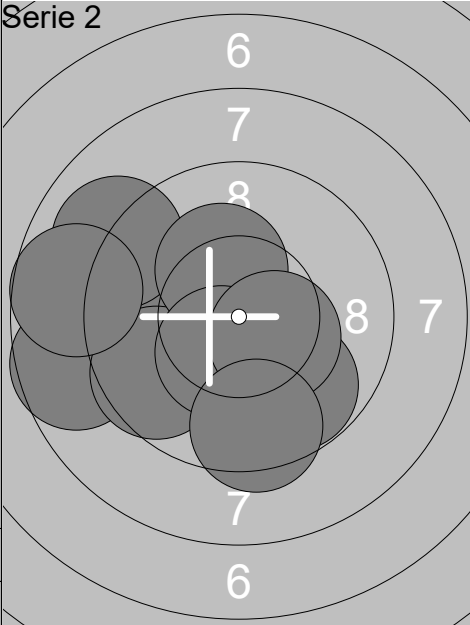
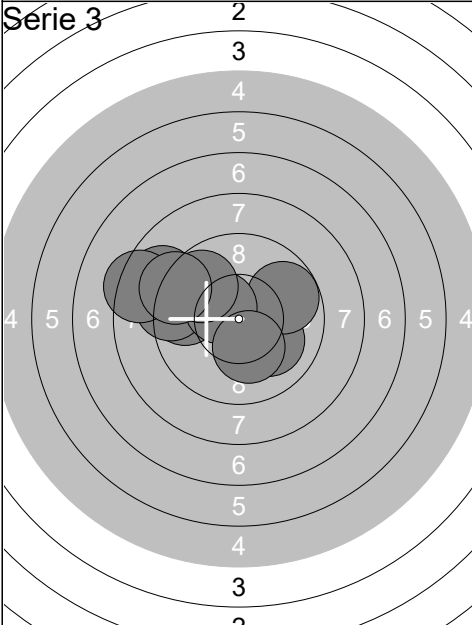
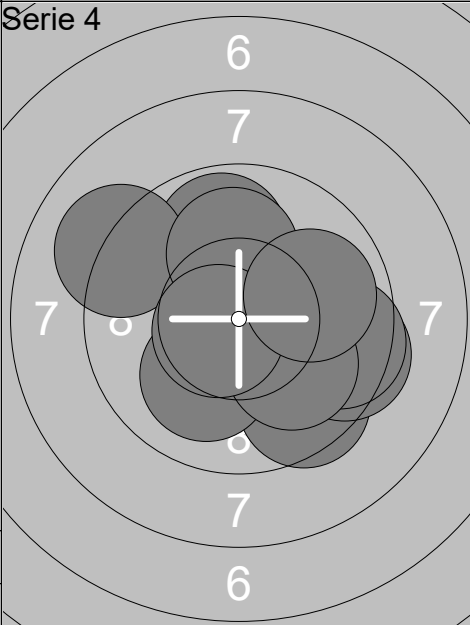
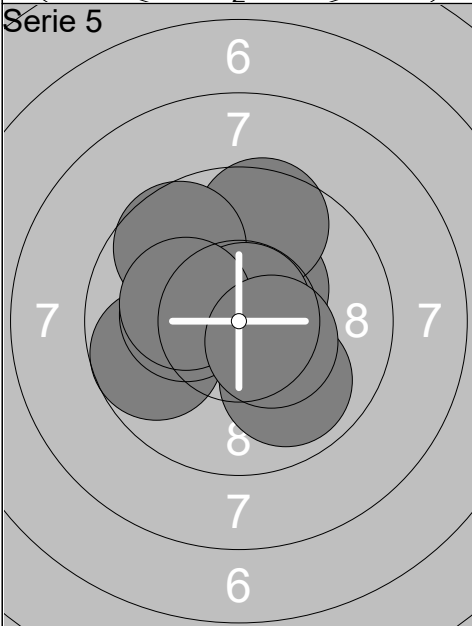
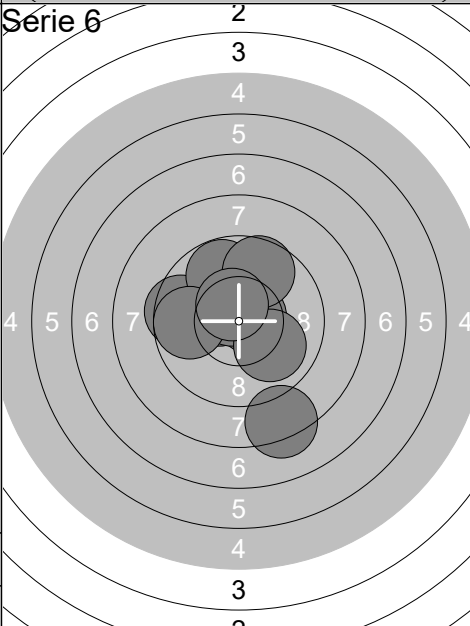


Relay	Lane	Kristoffer Kvorning	
4	19		
Day 3 Denmark Open Air		Viborg Skytte Forening	MJ
16.02.2020		Day 3 Denmark Open Air 2020	Denmark Open Air 2020
Série 1		1: 10.4x ↘ 2: 9.5 ↖ 3: 9.5 → 4: 9.1 ↑ 5: 10.3x ↗ 6: 10.6x ↑ 7: 8.4 → 8: 10.3x ↓ 9: 10.3x ↑ 10: 8.8 ↓ Series 97.2 97.2	Série 2
			1: 9.8 ↑ 2: 10.1 ↓ 3: 10.4x ← 4: 10.4x → 5: 10.2x ↗ 6: 10.7x ← 7: 9.5 ↖ 8: 8.9 → 9: 10.2x → 10: 7.6 ↑ Series 97.8 195.0
Série 3		1: 9.8 ↗ 2: 10.3x ↖ 3: 9.9 ↑ 4: 9.2 → 5: 10.2x ← 6: 10.7x ↗ 7: 9.3 ↑ 8: 10.4x ↖ 9: 10.1 ↗ 10: 9.3 ↗ Series 99.2 294.2	Série 4
			1: 9.3 ↗ 2: 8.6 ↗ 3: 8.6 ← 4: 10.1 ← 5: 10.0 → 6: 9.1 → 7: 9.9 ↗ 8: 9.2 ← 9: 8.6 ↖ 10: 9.8 ← Series 93.2 387.4
Série 5		1: 8.8 ↑ 2: 10.3x ← 3: 9.3 ← 4: 9.9 ↑ 5: 9.3 ↗ 6: 9.8 → 7: 8.7 ↗ 8: 10.6x → 9: 9.0 ↓ 10: 9.6 ↓ Series 95.3 482.7	Série 6
			1: 10.8x ← 2: 10.5x ← 3: 10.6x ↓ 4: 10.4x ↓ 5: 10.8x → 6: 8.3 ↓ 7: 9.5 ↖ 8: 9.5 ↑ 9: 10.0 ↓ 10: 9.0 ↗ Series 99.4 582.1

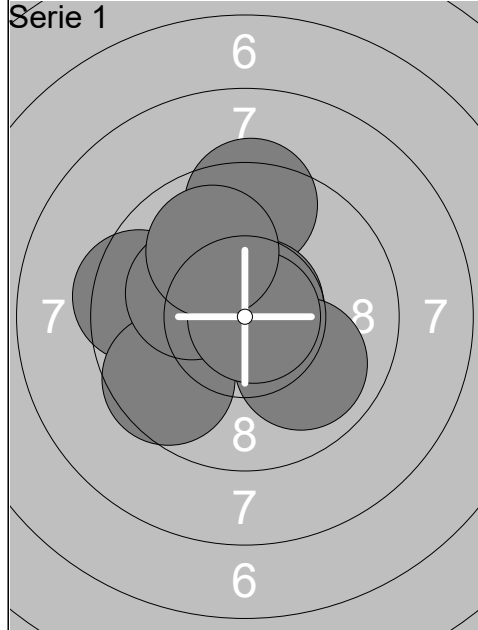
Denmark Open Air

Relay	Lane	Lars Lilleng		
4	20	Day 3 Denmark Open Air	Frederikstad Miniatorskytterla	MJ
16.02.2020	Day 3 Denmark Open Air 2020	Denmark Open Air 2020		
Serie 1 	1: 9.6 ↑	Serie 2 	1: 10.1 ↗	
	2: 10.5x ↖		2: 10.1 ↑	
	3: 10.2x →		3: 10.4x ↙	
	4: 10.3x ↗		4: 10.3x ↑	
	5: 10.3x ←		5: 10.2x ↓	
	6: 10.4x ↗		6: 10.3x ←	
	7: 10.7x ↗		7: 9.8 ↖	
	8: 9.8 ↖		8: 10.4x ↓	
	9: 10.3x ↓		9: 10.8x →	
	10: 9.9 ↙		10: 9.8 ←	
	Series 102.0		Series 102.2	
	102.0		204.2	
Serie 3 	1: 10.4x ←	Serie 4 	1: 10.2x ↑	
	2: 9.4 ↓		2: 9.6 →	
	3: 10.0 ↗		3: 10.6x ↑	
	4: 10.8x ←		4: 10.1 ↓	
	5: 9.9 →		5: 9.3 ←	
	6: 10.3x ↑		6: 10.4x →	
	7: 9.5 ←		7: 9.8 ←	
	8: 9.6 ←		8: 10.5x ↑	
	9: 9.7 →		9: 10.6x ↙	
	10: 10.4x ←		10: 10.2x ↙	
	Series 100.0		Series 101.3	
	304.2		405.5	
Serie 5 	1: 9.4 →	Serie 6 	1: 10.3x ↖	
	2: 10.0 ↘		2: 10.5x ↗	
	3: 9.8 ↗		3: 10.1 ↙	
	4: 10.6x ←		4: 10.1 ↓	
	5: 10.0 ↓		5: 10.6x ↑	
	6: 10.1 ↙		6: 10.7x ↖	
	7: 10.3x →		7: 9.4 →	
	8: 10.3x ↓		8: 10.6x ↑	
	9: 9.8 ↑		9: 9.4 ↗	
	10: 10.6x ↓		10: 10.3x ↓	
	Series 100.9		Series 102.0	
	506.4		608.4	

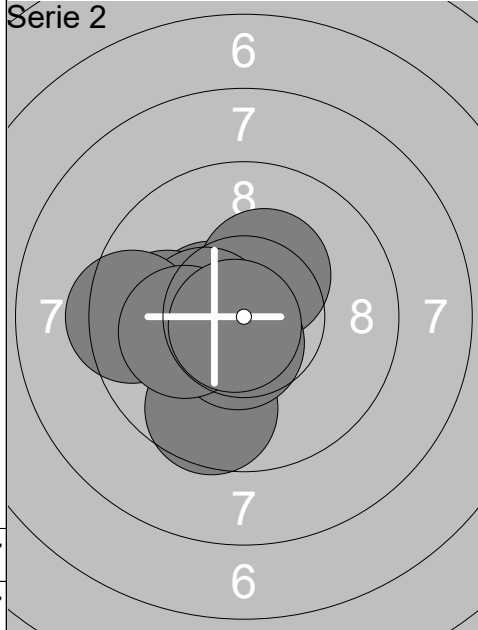
Denmark Open Air

Relay	Lane	Mikkel Kannik	
4	22	Day 3 Denmark Open Air	Ølstykke Skytteforening
16.02.2020		Day 3 Denmark Open Air 2020	Denmark Open Air 2020
Série 1			
1: 9.1 ← 2: 8.4 ← 3: 9.3 → 4: 8.7 ← 5: 10.4x → 6: 9.6 ↖ 7: 10.5x ↑ 8: 9.4 ↓ 9: 8.4 ← 10: 10.0 ↗		1: 9.6 ← 2: 8.6 ← 3: 9.8 ↘ 4: 9.0 ↖ 5: 9.6 ↙ 6: 10.2x ↗ 7: 8.7 ← 8: 10.4x ↘ 9: 10.4x ↘ 10: 9.4 ↓	
Series 93.8		Series 95.7	
93.8		189.5	
Série 3			
1: 8.8 ← 2: 10.0 ↘ 3: 9.6 ← 4: 9.2 ← 5: 8.4 ← 6: 9.7 → 7: 10.4x ↖ 8: 10.2x ↘ 9: 9.7 ↗ 10: 9.2 ←		1: 9.5 ↘ 2: 9.8 ↑ 3: 9.1 ↖ 4: 10.0 ↑ 5: 10.0 ↘ 6: 9.4 → 7: 9.6 → 8: 10.0 ↘ 9: 10.6x ↙ 10: 9.9 →	
Series 95.2		Series 97.9	
284.7		382.6	
Série 5			
1: 9.7 ← 2: 10.6x → 3: 10.4x ↗ 4: 9.6 ↑ 5: 10.2x ← 6: 9.7 ↗ 7: 10.7x ↗ 8: 9.9 ↓ 9: 10.2x ← 10: 10.4x ↘		1: 9.5 ← 2: 10.6x → 3: 10.4x ↖ 4: 10.6x ↗ 5: 9.8 ↑ 6: 10.0 ↘ 7: 8.2 ↓ 8: 9.7 ← 9: 9.6 ↑ 10: 10.5x ↗	
Series 101.4		Series 98.9	
484.0		582.9	

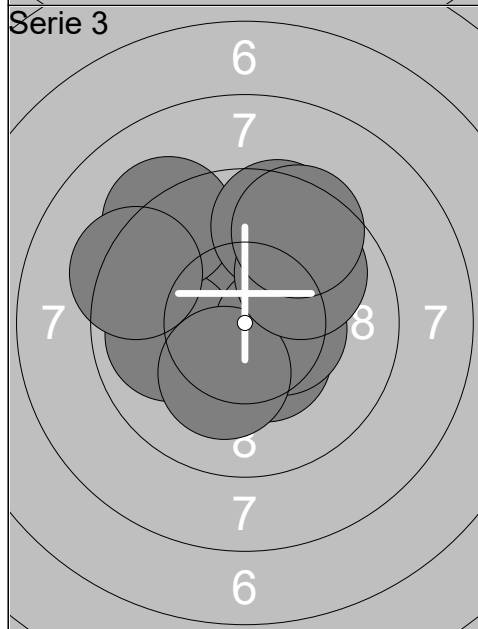
Denmark Open Air



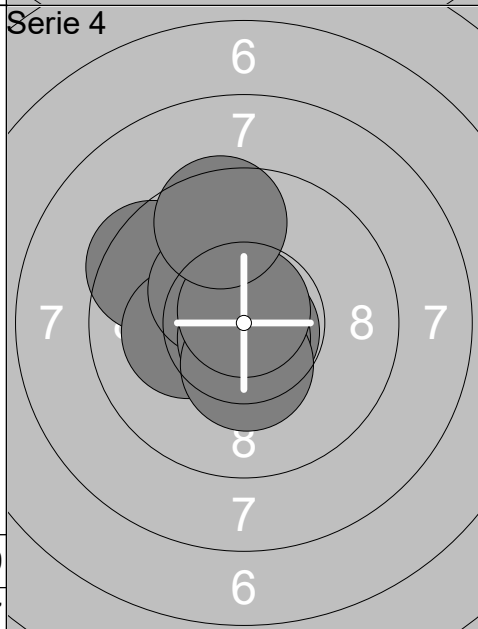
1:	9.5	←
2:	9.6	↙
3:	10.6x	↑
4:	9.4	↑
5:	10.7x	↗
6:	9.9	↘
7:	10.2x	↖
8:	10.1	←
9:	10.8x	→
10:	9.9	↗
<b>Series</b>		<b>100.7</b>
		<b>100.7</b>



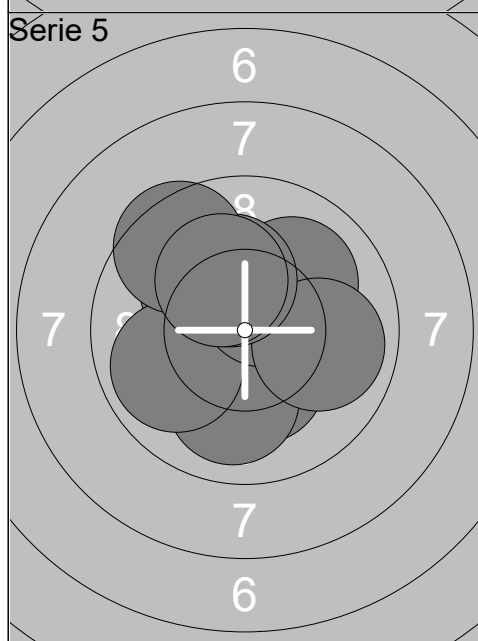
1:	10.6x	↘
2:	10.5x	↖
3:	9.9	←
4:	9.6	↘
5:	10.3x	↗
6:	10.4x	↖
7:	10.5x	↘
8:	9.4	←
9:	10.1	←
10:	10.8x	↘
<b>Series</b>		<b>102.1</b>
		<b>202.8</b>



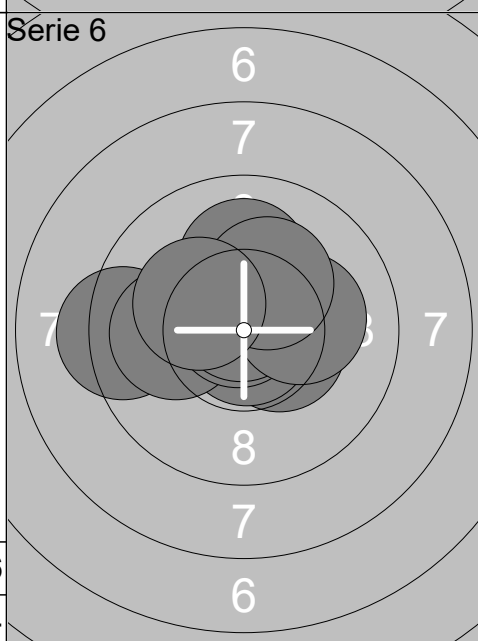
1:	10.6x	↗
2:	9.9	←
3:	9.2	↗
4:	10.4x	↘
5:	10.4x	→
6:	10.2x	↘
7:	9.3	←
8:	9.5	↑
9:	9.9	↗
10:	9.5	↗
<b>Series</b>		<b>98.9</b>
		<b>301.7</b>



1:	10.4x	↖
2:	10.7x	↘
3:	9.5	↖
4:	10.7x	↖
5:	10.1	←
6:	10.3x	↖
7:	10.7x	↘
8:	10.4x	↘
9:	10.8x	↑
10:	9.5	↑
<b>Series</b>		<b>103.1</b>
		<b>404.8</b>

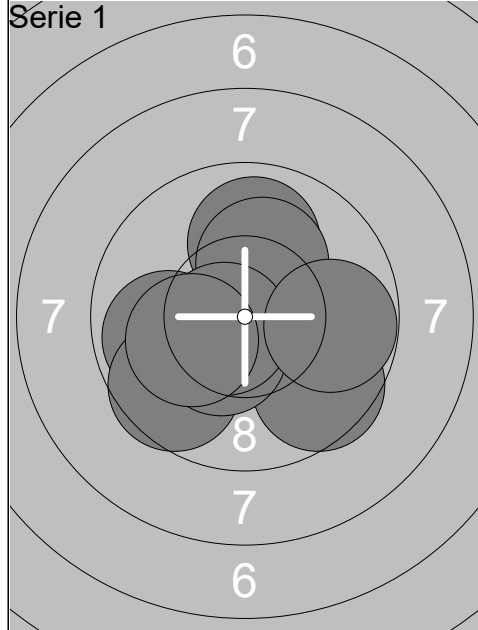


1:	10.3x	↘
2:	10.2x	↖
3:	10.0	↘
4:	9.9	↖
5:	10.4x	↗
6:	10.0	↗
7:	9.9	→
8:	10.2x	↑
9:	9.5	↖
10:	10.2x	↖
<b>Series</b>		<b>100.6</b>
		<b>505.4</b>

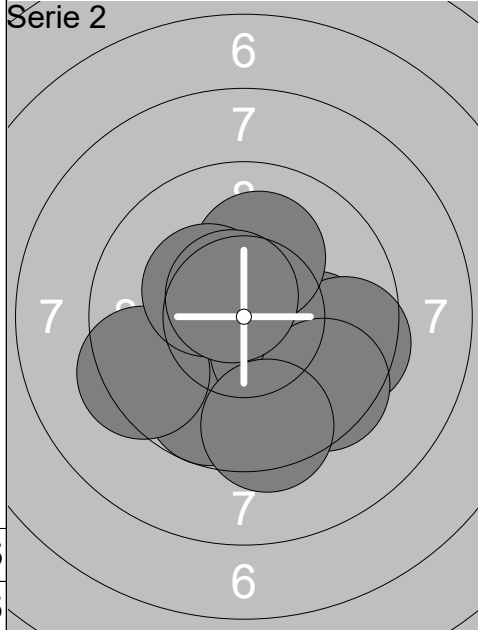


1:	9.3	←
2:	10.4x	→
3:	10.8x	↘
4:	10.0	←
5:	10.8x	↖
6:	10.1	↑
7:	10.7x	↑
8:	10.1	→
9:	10.2x	↗
10:	10.2x	↖
<b>Series</b>		<b>102.6</b>
		<b>608.0</b>

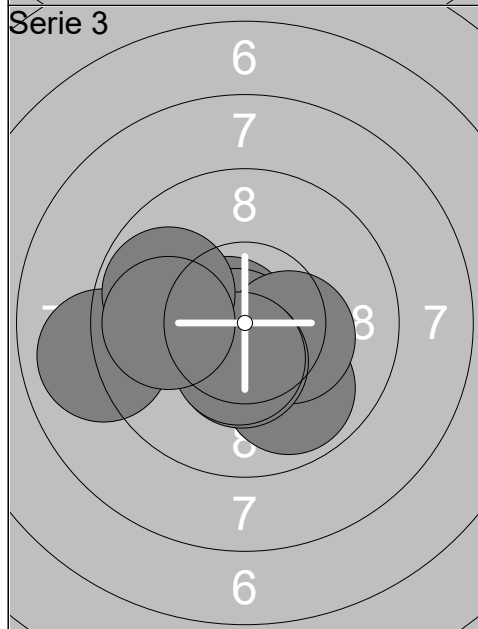
Relay	Lane	Emil L. Nielsen	
4	24		
Day 3 Denmark Open Air		Aalborg Skyttekreds	MJ
16.02.2020		Day 3 Denmark Open Air 2020	Denmark Open Air 2020
<b>Serie 1</b> 	1: 10.4x ←	<b>Serie 2</b> 	1: 9.8 ↘
	2: 9.9 ←		2: 9.5 ↗
	3: 10.0 ←		3: 10.1 ↗
	4: 10.3x ↗		4: 10.5x ←
	5: 10.1 ↘		5: 8.9 ←
	6: 10.5x ↓		6: 10.7x ↗
	7: 10.4x ↓		7: 10.3x ↑
	8: 9.9 ↗		8: 10.5x ↗
	9: 9.9 ↙		9: 10.7x ↗
	10: 10.7x ↘		10: 10.8x ↑
	<b>Series</b> 102.1	<b>Series</b> 101.8	
	102.1	203.9	
<b>Serie 3</b> 	1: 10.5x →	<b>Serie 4</b> 	1: 9.9 →
	2: 10.3x →		2: 9.9 ↘
	3: 10.3x ↑		3: 10.4x ↓
	4: 9.9 →		4: 10.2x ↗
	5: 9.3 →		5: 10.3x ←
	6: 10.1 ←		6: 10.1 ←
	7: 10.5x ↑		7: 10.5x ↗
	8: 10.3x ↗		8: 10.3x ↗
	9: 10.0 ←		9: 10.8x ←
	10: 10.5x ↗		10: 10.3x →
	<b>Series</b> 101.7	<b>Series</b> 102.7	
	305.6	408.3	
<b>Serie 5</b> 	1: 10.5x ↗	<b>Serie 6</b> 	1: 10.5x ↓
	2: 9.9 →		2: 9.2 →
	3: 10.1 ↗		3: 10.7x ←
	4: 10.5x ↑		4: 10.6x ↗
	5: 10.5x ↗		5: 10.5x ↓
	6: 10.4x ↓		6: 10.6x →
	7: 10.8x ↗		7: 10.5x ↓
	8: 10.0 ↓		8: 10.7x ↙
	9: 10.5x ↗		9: 9.7 ↓
	10: 10.0 ↓		10: 10.4x ←
	<b>Series</b> 103.2	<b>Series</b> 103.4	
	511.5	614.9	



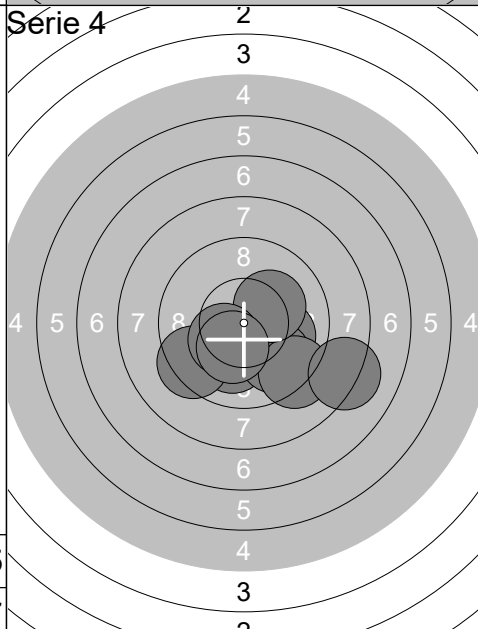
1:	9.9	↑
2:	9.6	↘
3:	9.8	←
4:	10.5x	↙
5:	10.2x	↑
6:	9.6	↘
7:	10.4x	↘
8:	10.6x	↙
9:	10.1	←
10:	9.8	→
<b>Series</b>	<b>100.5</b>	
	<b>100.5</b>	



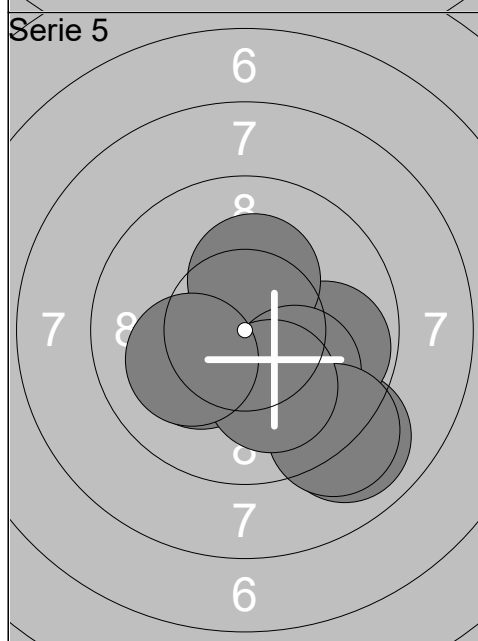
1:	9.9	→
2:	9.7	↘
3:	10.3x	↘
4:	9.5	→
5:	9.5	↘
6:	9.4	↘
7:	10.1	↑
8:	9.4	↙
9:	10.3x	↘
10:	10.6x	↗
<b>Series</b>	<b>98.7</b>	
	<b>199.2</b>	



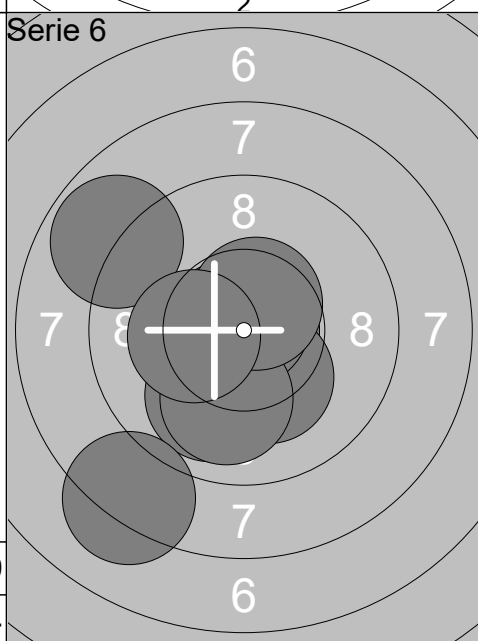
1:	10.4x	↘
2:	10.7x	↙
3:	9.0	←
4:	10.7x	↘
5:	9.9	↘
6:	10.3x	→
7:	10.4x	↘
8:	10.4x	↘
9:	9.8	←
10:	9.9	←
<b>Series</b>	<b>101.5</b>	
	<b>300.7</b>	



1:	10.0	→
2:	10.1	↘
3:	10.5x	↘
4:	9.3	↙
5:	9.8	↘
6:	9.2	↘
7:	10.2x	↗
8:	10.3x	↙
9:	8.1	→
10:	10.3x	↘
<b>Series</b>	<b>97.8</b>	
	<b>398.5</b>	



1:	10.7x	↙
2:	8.9	↘
3:	9.7	↘
4:	10.2x	↙
5:	9.8	→
6:	10.2x	↑
7:	10.1	↘
8:	9.1	↘
9:	10.1	↘
10:	10.1	←
<b>Series</b>	<b>98.9</b>	
	<b>497.4</b>	



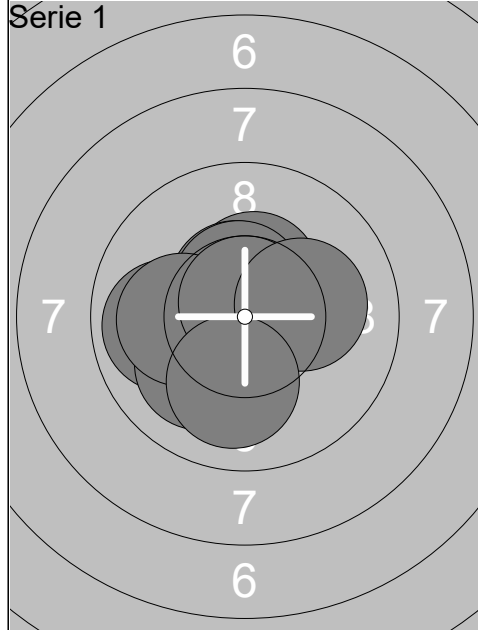
1:	10.7x	↙
2:	8.8	↖
3:	10.8x	→
4:	10.0	↘
5:	10.2x	↘
6:	10.8x	↑
7:	10.0	↘
8:	10.5x	↑
9:	8.2	↘
10:	10.2x	↙
<b>Series</b>	<b>100.2</b>	
	<b>597.6</b>	

Relay	Lane	Peter A. Sørensen		
4	26	Day 3 Denmark Open Air	Aalborg Skyttekreds	MJ
16.02.2020	Day 3 Denmark Open Air 2020	Denmark Open Air 2020		
Serie 1 	1: 10.2x ↗	Serie 2 	1: 10.0 →	
	2: 9.5 ←		2: 10.3x →	
	3: 10.2x ↘		3: 9.5 ↑	
	4: 10.4x ↑		4: 9.7 →	
	5: 10.8x ↖		5: 8.8 ↘	
	6: 9.5 ↓		6: 10.6x →	
	7: 10.6x ↙		7: 10.2x ←	
	8: 9.5 ↘		8: 10.2x ↘	
	9: 10.1 ←		9: 9.7 ←	
	10: 10.1 ←		10: 10.4x ↘	
	Series 100.9		Series 99.4	
	100.9		200.3	
Serie 3 	1: 10.3x →	Serie 4 	1: 9.1 ↖	
	2: 10.4x →		2: 10.3x ←	
	3: 10.0 ↓		3: 10.1 ↙	
	4: 8.8 ↘		4: 10.5x ↗	
	5: 10.5x ↗		5: 10.1 ←	
	6: 10.5x ↘		6: 10.2x ↗	
	7: 10.7x ↓		7: 9.8 ↗	
	8: 10.9x ↓		8: 9.9 ↓	
	9: 10.1 ↓		9: 9.9 ↖	
	10: 10.5x ↗		10: 9.8 ↘	
	Series 102.7		Series 99.7	
	303.0		402.7	
Serie 5 	1: 9.6 ←	Serie 6 	1: 9.9 →	
	2: 10.6x ↘		2: 8.7 →	
	3: 10.0 →		3: 9.9 ↗	
	4: 10.1 ↘		4: 10.2x ↘	
	5: 9.0 ↑		5: 10.0 ↘	
	6: 9.7 ←		6: 10.4x ←	
	7: 9.7 ←		7: 10.8x ↘	
	8: 10.0 ↑		8: 10.2x ↖	
	9: 9.8 ↗		9: 10.5x ↓	
	10: 10.3x ←		10: 10.5x →	
	Series 98.8		Series 101.1	
	501.5		602.6	

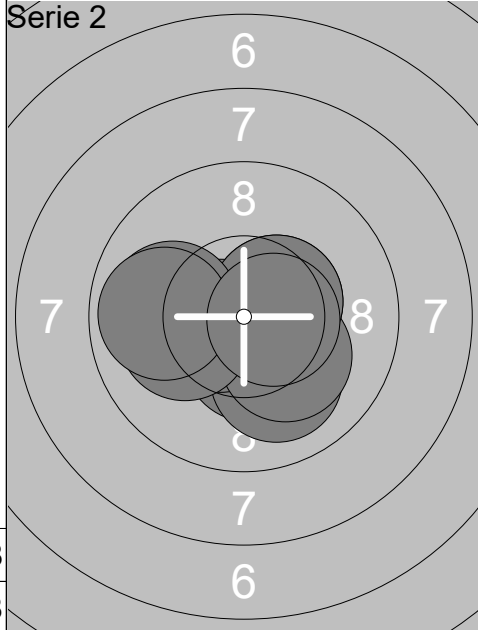
Relay	Lane	Victor Thomsen		
4	27	Day 3 Denmark Open Air	Viborg Skytte Forening	MJ
16.02.2020	Day 3 Denmark Open Air 2020	Denmark Open Air 2020		
<b>Serie 1</b> 	1: 9.9 ↑	<b>Serie 2</b> 	1: 10.1 →	
	2: 9.8 →		2: 10.7x →	
	3: 10.3x ↗		3: 9.8 →	
	4: 10.0 ↓		4: 10.5x ↙	
	5: 9.5 ↑		5: 10.3x ↑	
	6: 10.1 ↖		6: 9.7 ↑	
	7: 9.9 ↘		7: 9.2 ↑	
	8: 10.1 ↙		8: 10.4x ↓	
	9: 10.0 ↓		9: 10.3x ↑	
	10: 10.3x →		10: 9.9 ←	
	<b>Series</b> 99.9		<b>Series</b> 100.9	
	99.9		200.8	
<b>Serie 3</b> 	1: 10.2x ↗	<b>Serie 4</b> 	1: 10.1 ↗	
	2: 9.7 ↗		2: 10.1 ←	
	3: 9.9 ↓		3: 10.0 ↑	
	4: 10.7x ↓		4: 9.8 →	
	5: 9.8 →		5: 9.9 ↗	
	6: 9.8 ←		6: 9.3 ←	
	7: 9.7 ↓		7: 10.8x ↗	
	8: 10.4x ↗		8: 9.4 →	
	9: 10.3x →		9: 10.3x ↑	
	10: 10.4x →		10: 10.7x ↖	
	<b>Series</b> 100.9		<b>Series</b> 100.4	
	301.7		402.1	
<b>Serie 5</b> 	1: 10.0 ↘	<b>Serie 6</b> 	1: 10.3x ↙	
	2: 10.2x ←		2: 10.0 ↓	
	3: 9.7 →		3: 10.3x ↙	
	4: 10.6x ←		4: 10.4x ←	
	5: 10.4x →		5: 9.8 ↘	
	6: 10.3x ↑		6: 10.4x ↑	
	7: 9.4 ←		7: 9.3 ↑	
	8: 10.4x ↓		8: 9.9 ←	
	9: 9.9 →		9: 10.3x ←	
	10: 10.0 ↑		10: 10.5x ↗	
	<b>Series</b> 100.9		<b>Series</b> 101.2	
	503.0		604.2	

Denmark Open Air

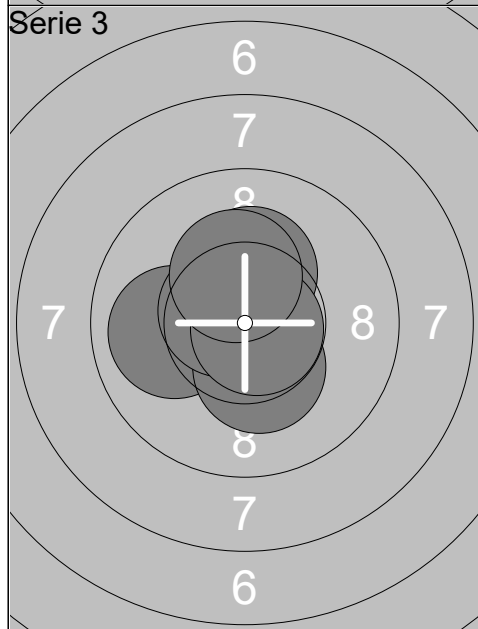




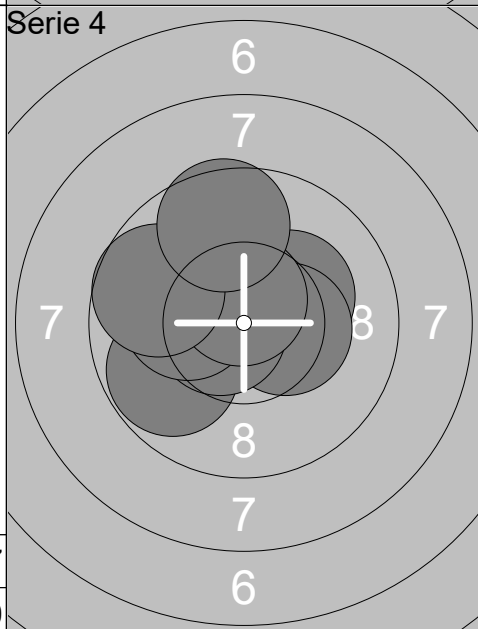
1:	10.6x ↗
2:	9.9 ←
3:	10.4x ↗
4:	10.5x ↗
5:	10.0 ↘
6:	10.5x ↗
7:	10.1 ←
8:	10.7x ↗
9:	10.1 →
10:	10.0 ↓
<b>Series</b>	<b>102.8</b>
	<b>102.8</b>



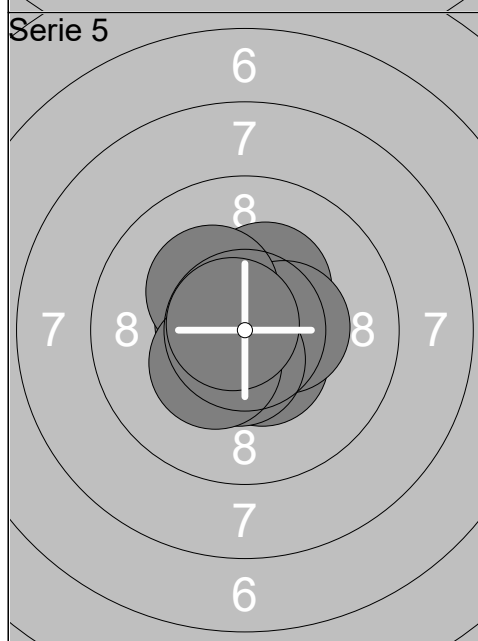
1:	10.4x ↓
2:	10.0 ↓
3:	10.4x ↗
4:	10.6x ←
5:	10.2x ↘
6:	10.5x ↗
7:	10.0 ←
8:	10.1 ←
9:	9.8 ←
10:	10.5x →
<b>Series</b>	<b>102.5</b>
	<b>205.3</b>



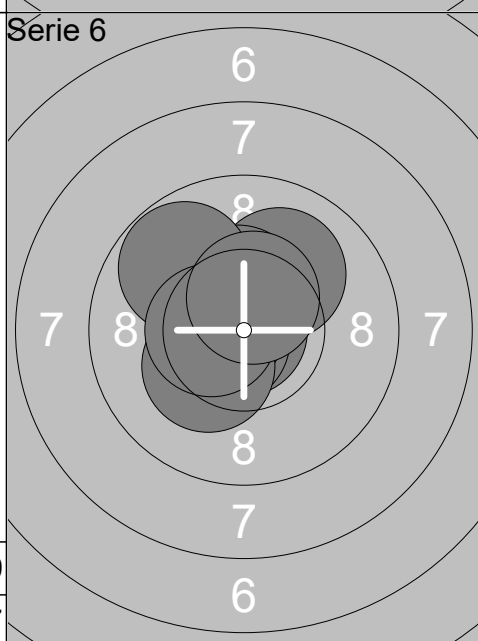
1:	10.6x ↗
2:	10.6x ↓
3:	10.3x ↗
4:	10.7x ↘
5:	10.0 ←
6:	10.6x ↓
7:	10.3x ↓
8:	10.6x ↖
9:	10.7x →
10:	10.3x ↗
<b>Series</b>	<b>104.7</b>
	<b>310.0</b>



1:	10.2x ↗
2:	10.3x →
3:	10.2x ←
4:	9.8 ↘
5:	10.6x ↖
6:	10.6x ←
7:	10.2x ←
8:	10.6x ↗
9:	9.7 ←
10:	9.6 ↗
<b>Series</b>	<b>101.8</b>
	<b>411.8</b>



1:	10.3x ↗
2:	10.8x ↓
3:	10.6x ↘
4:	10.4x ↓
5:	10.6x ←
6:	10.4x →
7:	10.3x ↖
8:	10.5x ↓
9:	10.3x ↘
10:	10.7x ↖
<b>Series</b>	<b>104.9</b>
	<b>516.7</b>



1:	10.5x ↖
2:	10.9x ←
3:	10.6x ←
4:	10.6x ←
5:	10.0 ↗
6:	10.2x ↘
7:	10.4x ↗
8:	9.8 ↖
9:	10.5x ←
10:	10.5x ↗
<b>Series</b>	<b>104.0</b>
	<b>620.7</b>