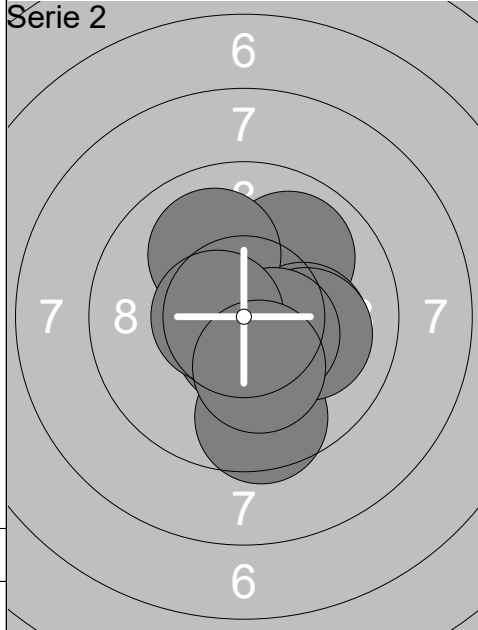
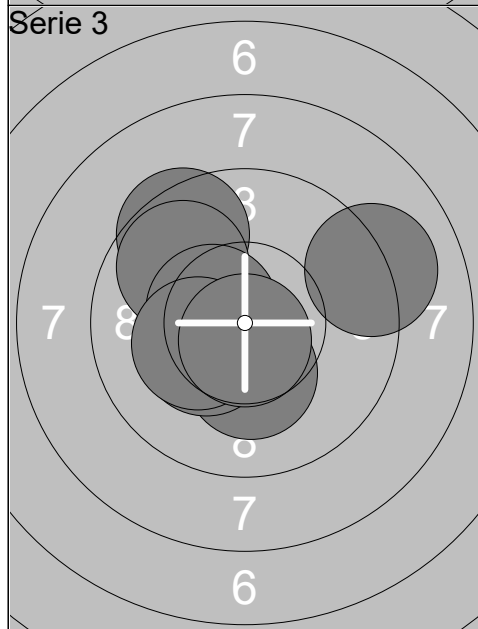


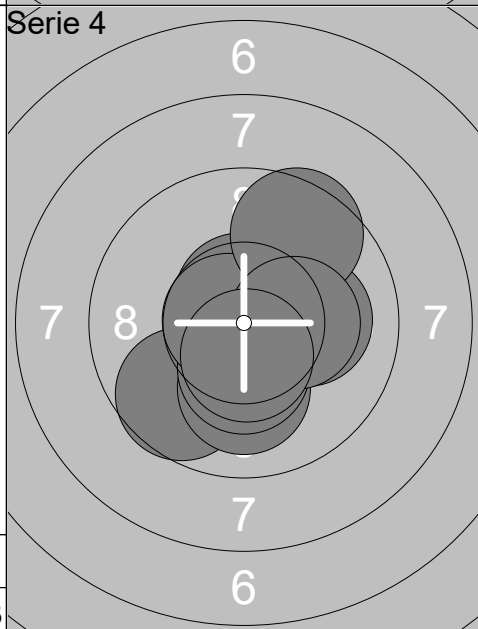
1:	10.1	↓
2:	9.7	↗
3:	10.0	←
4:	10.2x	↖
5:	10.4x	↘
6:	10.2x	↗
7:	9.3	↗
8:	9.8	↑
9:	10.9x	
10:	10.5x	↖
<b>Series</b>		<b>101.1</b>
		<b>101.1</b>



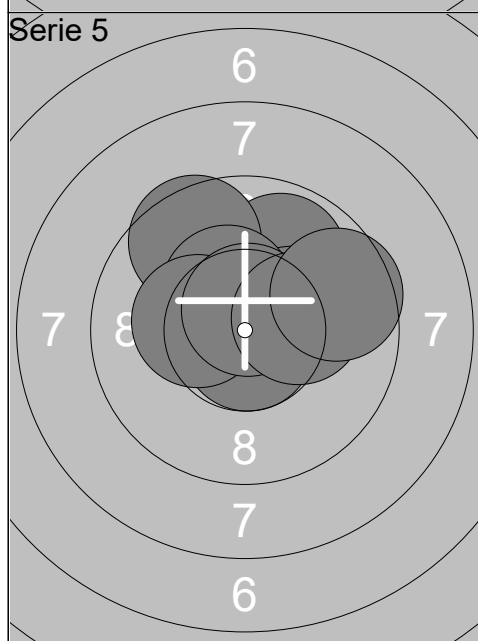
1:	9.9	↗
2:	10.5x	↓
3:	10.1	→
4:	9.6	↓
5:	10.1	→
6:	10.6x	↓
7:	10.0	↗
8:	10.5x	↘
9:	10.6x	←
10:	10.2x	↓
<b>Series</b>		<b>102.1</b>
		<b>203.2</b>



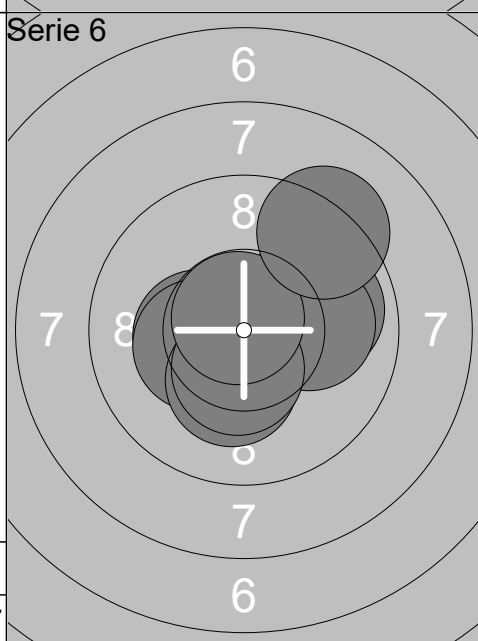
1:	10.3x	←
2:	10.2x	↓
3:	10.3x	↙
4:	10.6x	↙
5:	9.4	↗
6:	9.8	↗
7:	10.5x	←
8:	9.1	→
9:	10.2x	←
10:	10.7x	↓
<b>Series</b>		<b>101.1</b>
		<b>304.3</b>



1:	9.6	↙
2:	10.0	↓
3:	10.1	→
4:	10.6x	↑
5:	10.7x	↘
6:	10.3x	↓
7:	10.7x	←
8:	9.5	↗
9:	10.3x	→
10:	10.5x	↓
<b>Series</b>		<b>102.3</b>
		<b>406.6</b>



1:	9.8	↗
2:	10.6x	↗
3:	9.5	↗
4:	10.3x	→
5:	10.7x	↓
6:	10.4x	↗
7:	10.3x	←
8:	10.7x	↑
9:	10.2x	→
10:	9.6	→
<b>Series</b>		<b>102.1</b>
		<b>508.7</b>

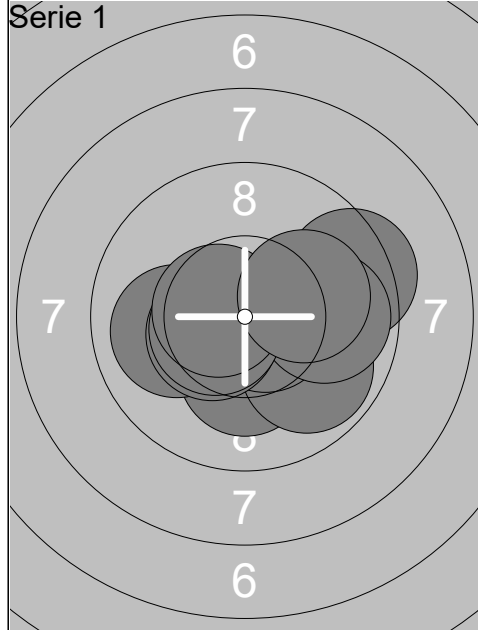


1:	10.3x	←
2:	10.3x	←
3:	10.2x	↓
4:	10.9x	↑
5:	9.9	→
6:	10.6x	→
7:	10.1	→
8:	10.4x	↓
9:	10.7x	↗
10:	9.2	↗
<b>Series</b>		<b>102.6</b>
		<b>611.3</b>

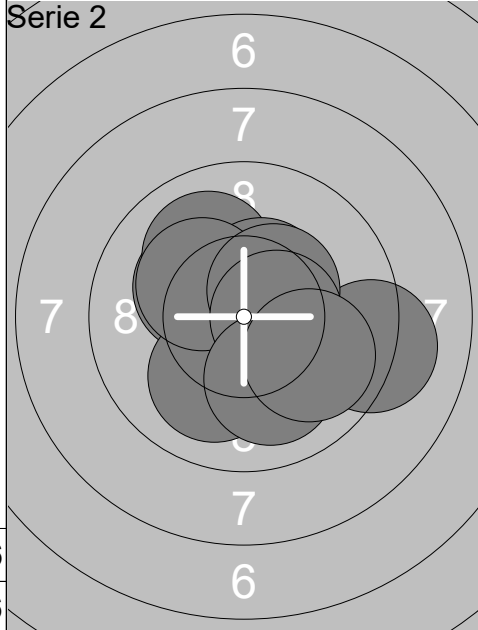
Relay	Lane	Alexander Helleskov		
Day 3 Denmark Open Air	Trehøje Skytteforening	M		
16.02.2020	Day 3 Denmark Open Air 2020	Denmark Open Air 2020		
Serie 1 	1: 10.6x ↙	Serie 2 	1: 10.2x ↙	
	2: 9.9 ←		2: 10.6x ↗	
	3: 9.6 ↑		3: 10.1 ←	
	4: 9.9 ←		4: 10.8x ↖	
	5: 10.0 ↑		5: 10.2x ↗	
	6: 10.8x ↓		6: 10.5x ↘	
	7: 10.3x →		7: 10.6x ←	
	8: 10.0 ↗		8: 10.1 ↓	
	9: 8.9 →		9: 10.8x ↗	
	10: 10.9x ←		10: 10.6x ↙	
	Series 100.9		Series 104.5	
	100.9		205.4	
Serie 3 	1: 10.3x ↗	Serie 4 	1: 10.1 ↓	
	2: 10.2x ↙		2: 10.3x →	
	3: 10.5x ↘		3: 10.1 ↘	
	4: 10.2x ↖		4: 10.9x ↓	
	5: 10.4x ↘		5: 10.7x →	
	6: 10.1 ↓		6: 10.7x ↘	
	7: 10.3x ↗		7: 10.5x ↖	
	8: 10.4x ↘		8: 10.7x ↙	
	9: 10.0 ↗		9: 10.3x →	
	10: 9.9 ↖		10: 10.6x ←	
	Series 102.3		Series 104.9	
	307.7		412.6	
Serie 5 	1: 10.7x ↖	Serie 6 	1: 10.6x ↗	
	2: 10.4x ↖		2: 9.6 ←	
	3: 10.5x →		3: 9.9 ↑	
	4: 9.6 ←		4: 10.6x ↗	
	5: 9.9 ↖		5: 10.3x ↖	
	6: 9.6 ↗		6: 10.4x ↓	
	7: 10.3x ↓		7: 10.6x ↓	
	8: 9.8 ←		8: 10.6x ↗	
	9: 10.8x ↓		9: 9.9 ←	
	10: 10.3x ↑		10: 10.3x ↓	
	Series 101.9		Series 102.8	
	514.5		617.3	

Denmark Open Air

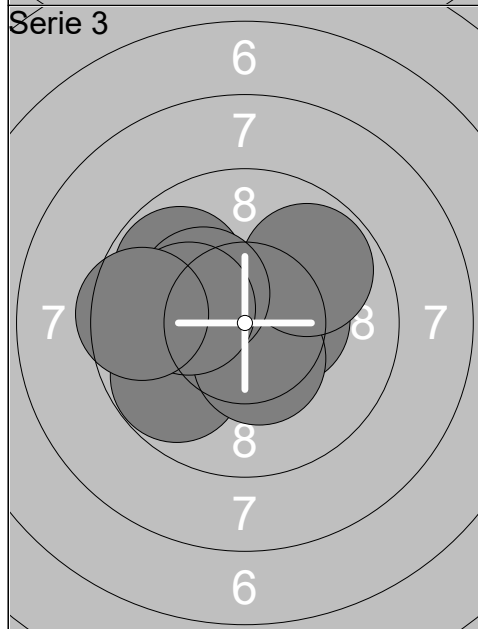
Relay	Lane	Niels H. Overgaard		
Day 3 Denmark Open Air	Trehøje Skytteforening	M		
16.02.2020	Day 3 Denmark Open Air 2020	Denmark Open Air 2020		
Serie 1 	1: 10.5x ↙	Serie 2 	1: 10.1 ↙	
	2: 10.4x ↙		2: 10.6x ↙	
	3: 10.7x ↘		3: 10.4x →	
	4: 10.8x ↘		4: 10.0 ↗	
	5: 10.2x ↗		5: 10.6x →	
	6: 10.3x ↖		6: 10.4x →	
	7: 10.4x →		7: 10.0 ↖	
	8: 10.1 →		8: 9.9 ↑	
	9: 10.6x ↖		9: 10.4x ↖	
	10: 9.9 ↗		10: 10.0 ←	
	Series 103.9		Series 102.4	
	103.9		206.3	
Serie 3 	1: 10.5x →	Serie 4 	1: 10.2x ↑	
	2: 9.8 ↗		2: 10.0 ←	
	3: 10.5x →		3: 10.3x ↙	
	4: 10.7x →		4: 10.7x ↗	
	5: 10.6x ↖		5: 10.9x ↑	
	6: 10.4x ↙		6: 10.3x ↗	
	7: 10.3x ↖		7: 10.2x ↖	
	8: 10.2x ↗		8: 10.3x →	
	9: 10.5x ↖		9: 10.3x ↖	
	10: 10.6x ↖		10: 10.4x ↘	
	Series 104.1		Series 103.6	
	310.4		414.0	
Serie 5 	1: 10.4x ↗	Serie 6 	1: 10.7x ↖	
	2: 10.7x ↙		2: 10.4x →	
	3: 10.6x ↖		3: 9.9 →	
	4: 10.7x ↖		4: 10.4x →	
	5: 9.6 →		5: 9.9 ↘	
	6: 10.7x ↘		6: 10.7x ↘	
	7: 10.6x ↘		7: 10.5x ↗	
	8: 10.4x ↖		8: 10.1 ↘	
	9: 10.2x ↘		9: 10.7x ↖	
	10: 10.7x →		10: 10.1 ↖	
	Series 104.6		Series 103.4	
	518.6		622.0	



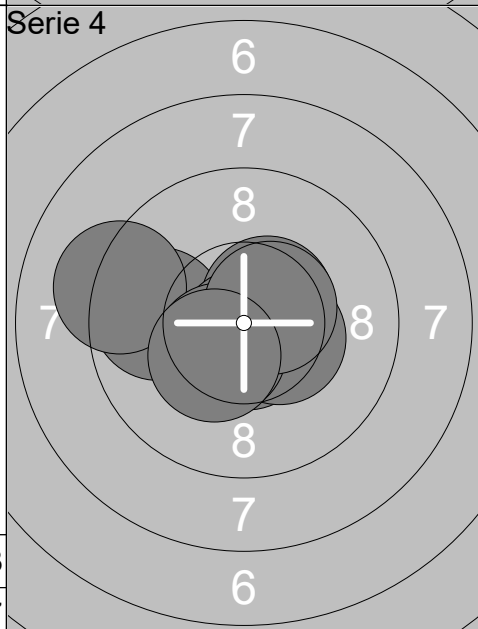
1:	9.4	➔
2:	10.2x	↓
3:	9.9	➤
4:	10.0	←
5:	10.6x	➤
6:	10.4x	↙
7:	9.9	➔
8:	10.5x	↙
9:	10.6x	↙
10:	10.1	➔
Series	101.6	
	101.6	



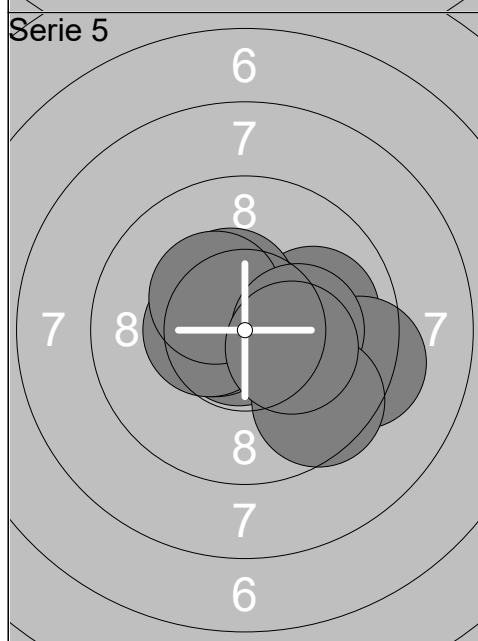
1:	10.2x	↖
2:	9.2	➔
3:	10.0	↗
4:	10.0	↓
5:	10.4x	↗
6:	10.2x	↖
7:	10.4x	↗
8:	10.5x	➔
9:	10.0	↓
10:	9.9	➤
Series	100.8	
	202.4	



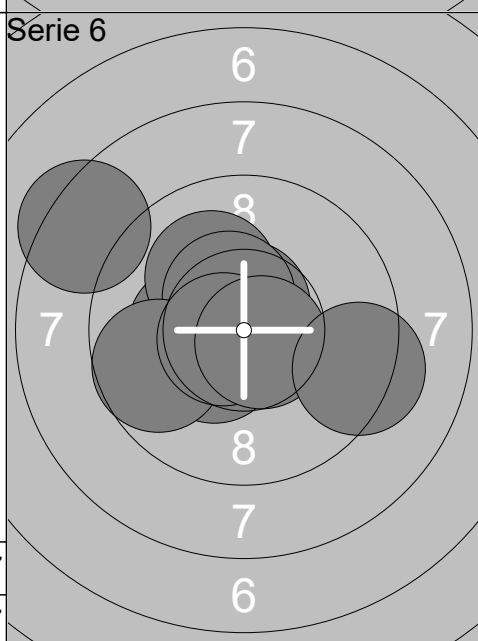
1:	10.6x	↙
2:	10.7x	➔
3:	9.8	↙
4:	10.4x	➔
5:	9.8	↗
6:	10.4x	↓
7:	9.8	↗
8:	10.2x	↖
9:	10.1	←
10:	9.5	←
Series	101.3	
	303.7	



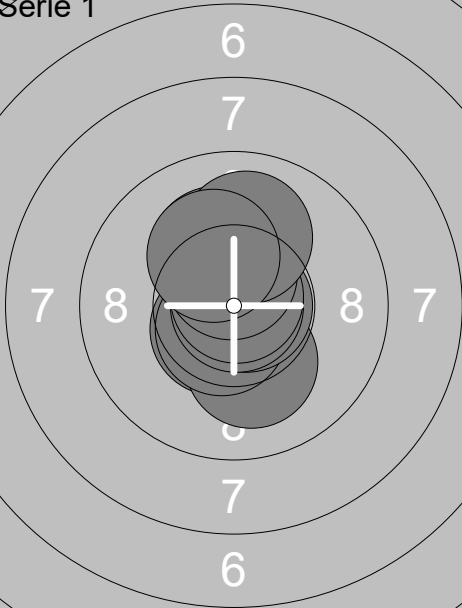
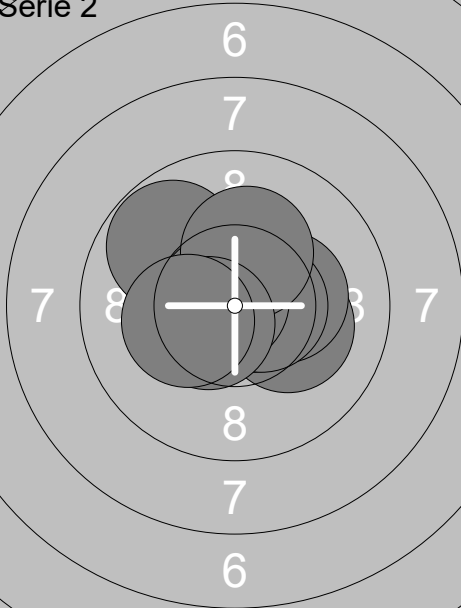
1:	9.8	←
2:	10.8x	↘
3:	10.5x	↗
4:	10.8x	↓
5:	9.2	←
6:	10.6x	↓
7:	10.4x	➔
8:	10.4x	↙
9:	10.5x	↗
10:	10.3x	↙
Series	103.3	
	407.0	

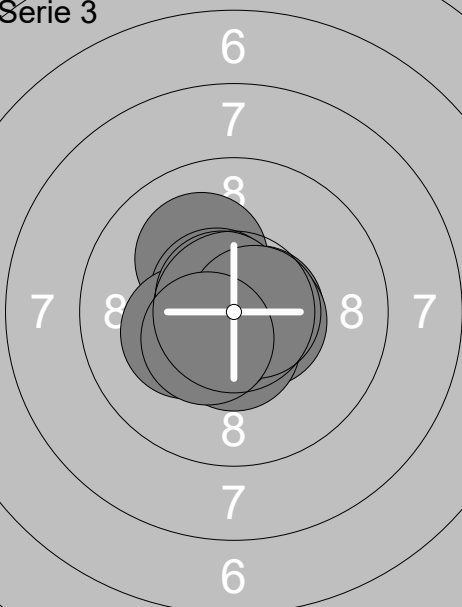
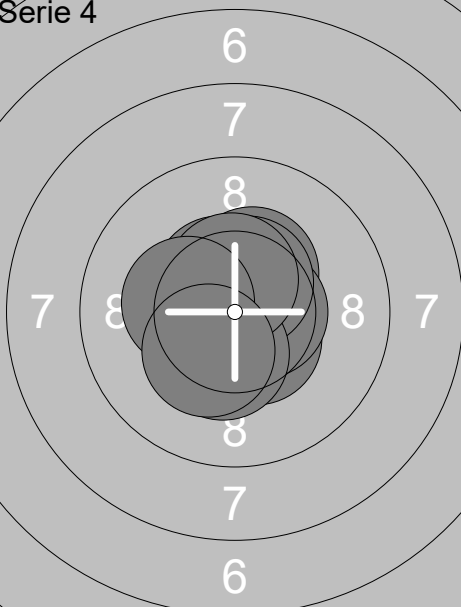


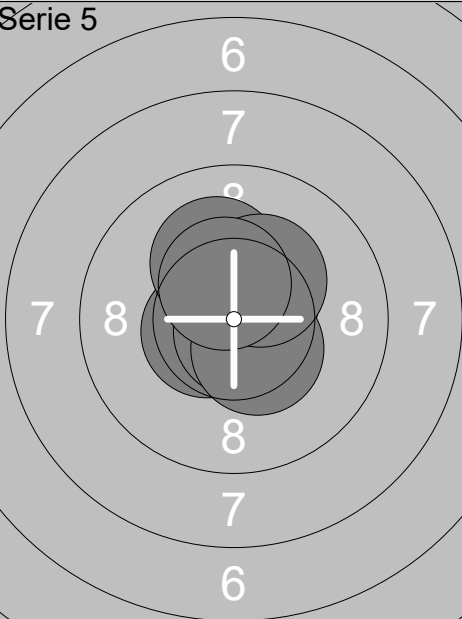
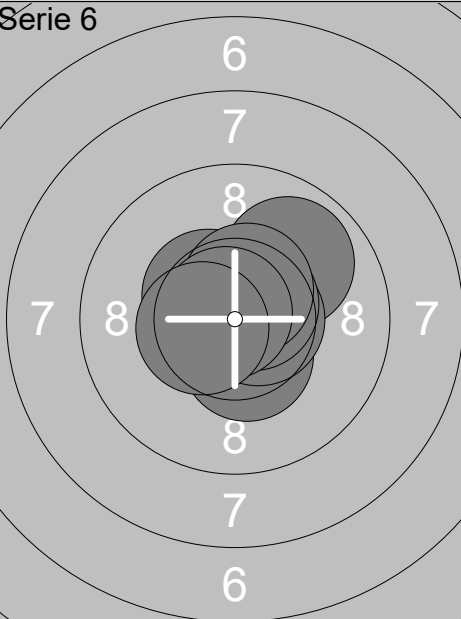
1:	10.0	➔
2:	10.8x	↘
3:	10.4x	↗
4:	10.5x	↙
5:	10.4x	↙
6:	10.3x	↗
7:	9.3	➔
8:	10.2x	➔
9:	9.6	↘
10:	10.2x	➔
Series	101.7	
	508.7	

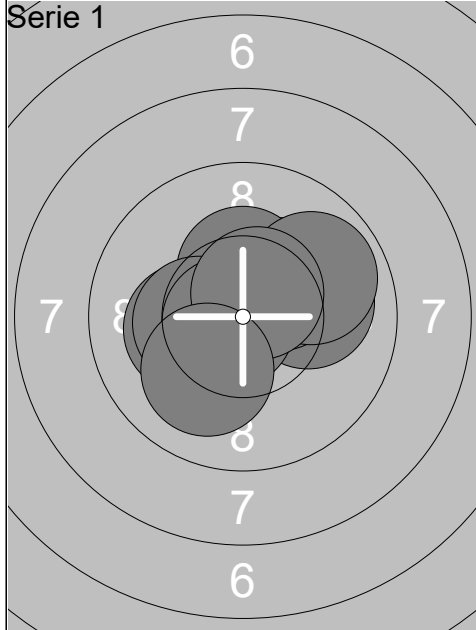


1:	10.2x	↙
2:	10.6x	↑
3:	10.4x	↙
4:	8.3	↖
5:	10.1	↗
6:	10.5x	↗
7:	9.7	←
8:	10.6x	↙
9:	10.6x	↘
10:	9.3	➔
Series	100.3	
	609.0	

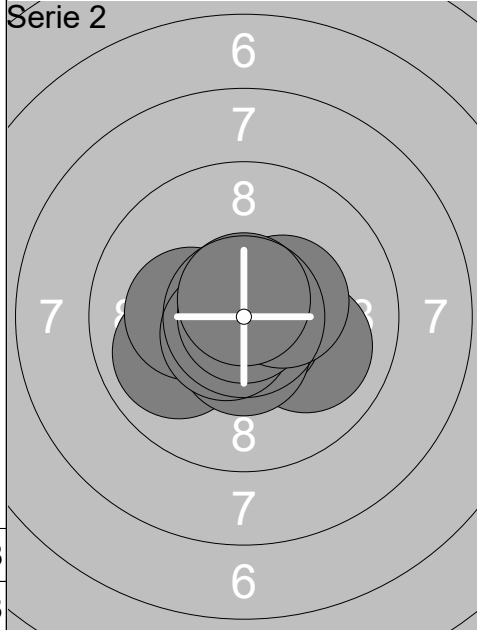
<p><b>Serie 1</b></p> 	<p>1: 10.5x ↙ 2: 10.1 ↓ 3: 10.6x ↙ 4: 10.8x → 5: 10.2x ↑ 6: 10.9x → 7: 10.8x ↑ 8: 10.5x ↑ 9: 10.0 ↑ 10: 10.2x ↗</p> <p>Series 104.6 104.6</p>	<p><b>Serie 2</b></p> 	<p>1: 10.2x → 2: 10.7x → 3: 10.3x → 4: 10.2x ↗ 5: 10.6x → 6: 9.8 ↖ 7: 10.7x ↖ 8: 10.2x ↑ 9: 10.5x ↙ 10: 10.3x ←</p> <p>Series 103.5 208.1</p>
--	---	--	---

<p><b>Serie 3</b></p> 	<p>1: 10.6x → 2: 10.1 ↗ 3: 10.6x ↖ 4: 10.2x ← 5: 10.6x → 6: 10.5x ↓ 7: 10.5x ↙ 8: 10.7x ↖ 9: 10.7x → 10: 10.4x ↙</p> <p>Series 104.9 313.0</p>	<p><b>Serie 4</b></p> 	<p>1: 10.5x ↘ 2: 10.4x ↑ 3: 10.6x ← 4: 10.5x ↖ 5: 10.6x → 6: 10.5x ↑ 7: 10.4x ↓ 8: 10.5x ↑ 9: 10.3x ← 10: 10.3x ↘</p> <p>Series 104.6 417.6</p>
---	--	---	---

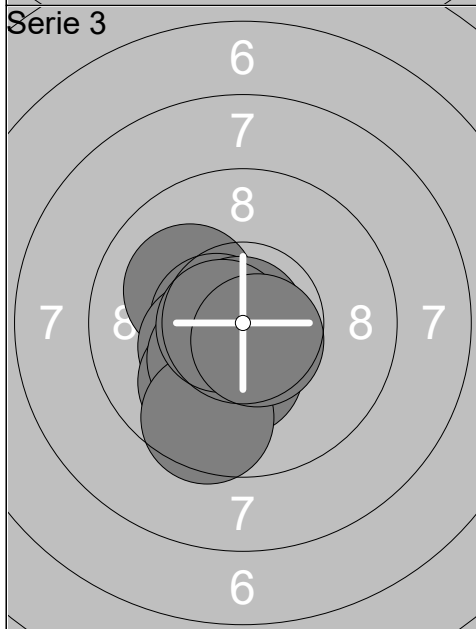
<p><b>Serie 5</b></p> 	<p>1: 10.7x ↗ 2: 10.4x ↑ 3: 10.6x ↗ 4: 10.6x ↗ 5: 10.5x ← 6: 10.7x ↓ 7: 10.1 ↑ 8: 10.4x ↘ 9: 10.3x ↗ 10: 10.4x ↑</p> <p>Series 104.7 522.3</p>	<p><b>Serie 6</b></p> 	<p>1: 9.9 ↗ 2: 10.4x ↓ 3: 10.9x ↖ 4: 10.7x ↖ 5: 10.6x → 6: 10.6x ↗ 7: 10.4x ↖ 8: 10.5x ↑ 9: 10.8x ↖ 10: 10.5x ←</p> <p>Series 105.3 627.6</p>
--	--	--	---



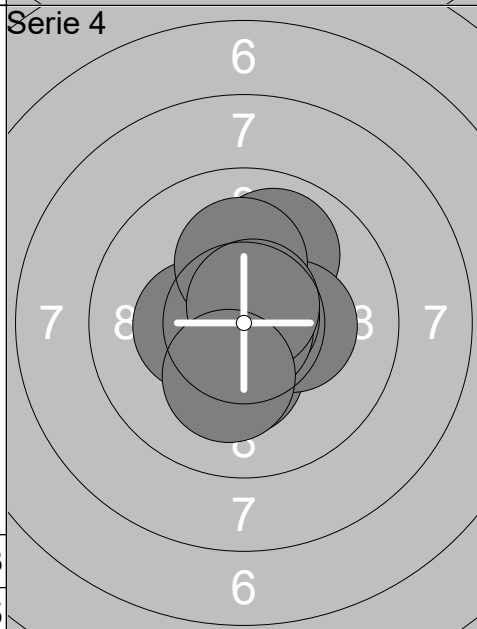
1:	10.6x ↑
2:	10.0 →
3:	10.2x ←
4:	10.3x ↗
5:	10.3x ↑
6:	10.3x ←
7:	10.7x ←
8:	9.9 ↗
9:	10.5x ↗
10:	10.0 ↓
Series	102.8
	102.8



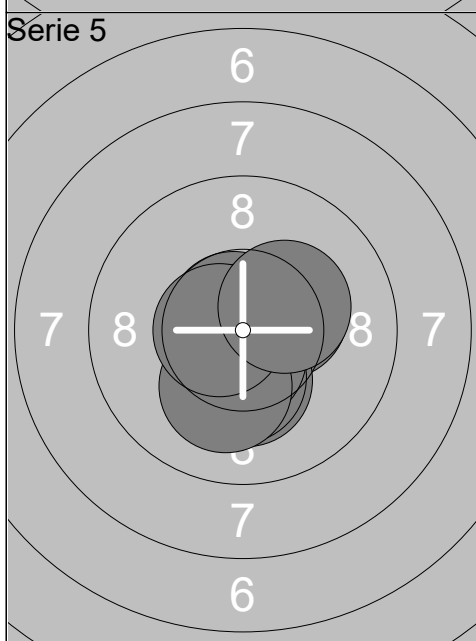
1:	10.0 →
2:	10.7x ↓
3:	10.5x ↙
4:	9.9 ←
5:	10.2x ←
6:	10.5x ↓
7:	10.6x ↙
8:	10.9x
9:	10.4x →
10:	10.7x ↑
Series	104.4
	207.2



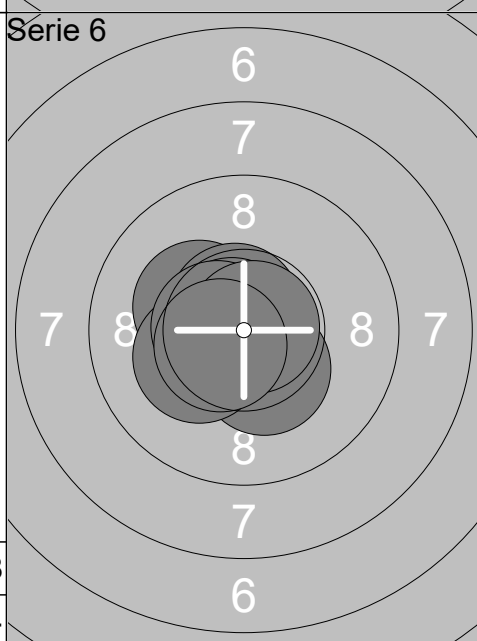
1:	10.1 ↖
2:	10.6x ←
3:	10.3x ↙
4:	10.3x ↓
5:	10.9x ←
6:	10.0 ↓
7:	10.3x ↙
8:	9.6 ↓
9:	10.6x ←
10:	10.6x ↓
Series	103.3
	310.5



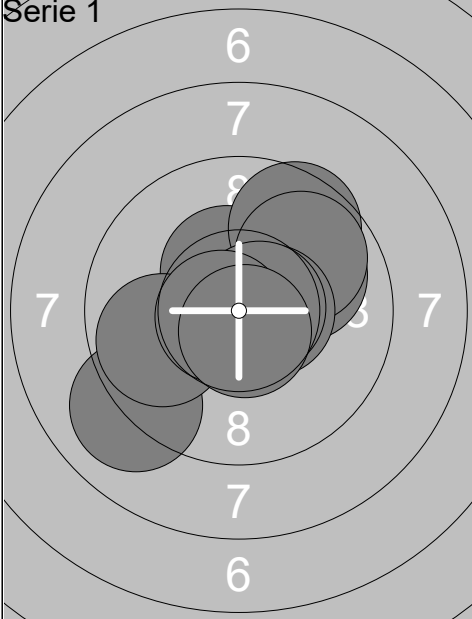
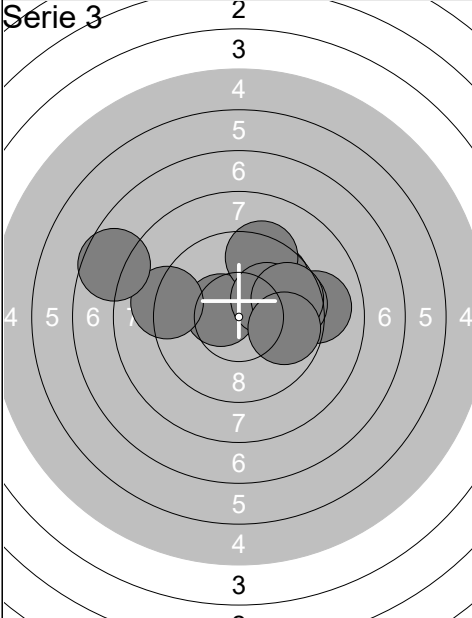
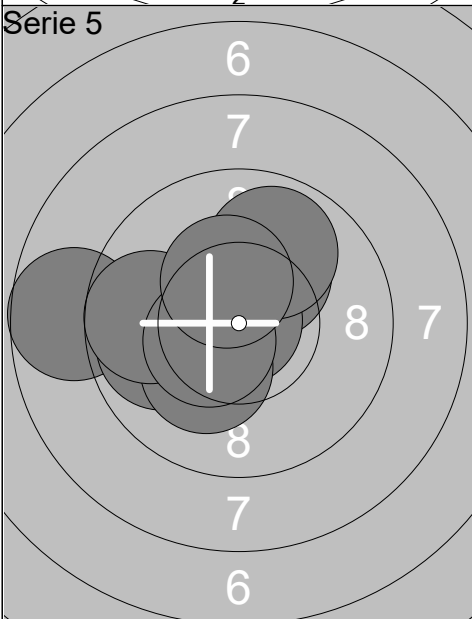
1:	9.9 ↑
2:	10.3x ↓
3:	10.3x →
4:	10.8x ↗
5:	10.8x ↓
6:	10.7x ↖
7:	10.3x ←
8:	10.1 ↑
9:	10.7x ↗
10:	10.2x ↓
Series	104.1
	414.6



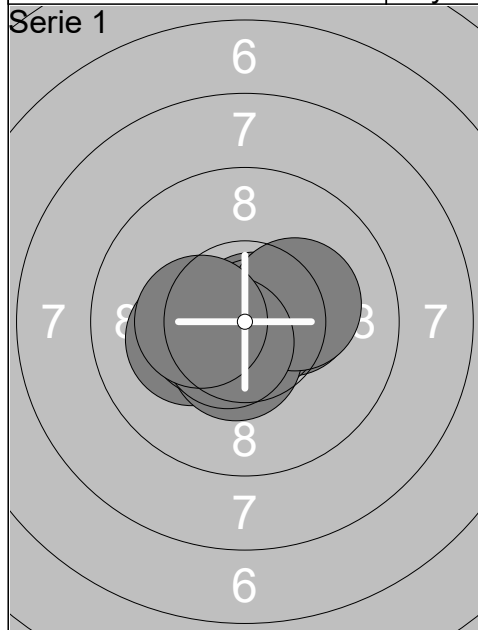
1:	10.3x →
2:	10.7x ↓
3:	10.7x ↖
4:	10.3x ↓
5:	10.9x
6:	10.3x ↓
7:	10.6x ↓
8:	10.1 ↓
9:	10.6x ←
10:	10.3x ↗
Series	104.8
	519.4



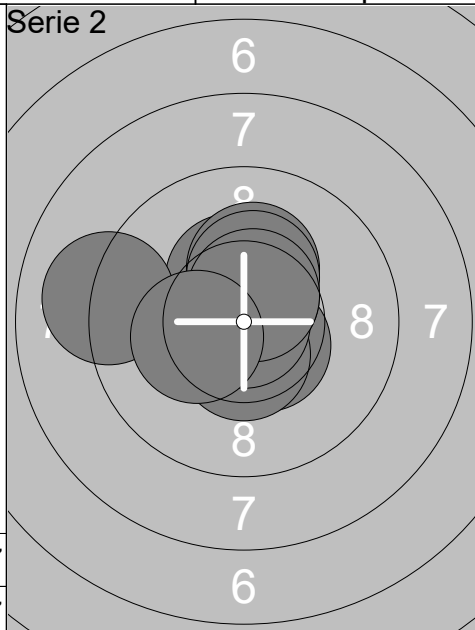
1:	10.8x ↓
2:	10.2x ↖
3:	10.6x ↑
4:	10.6x ↙
5:	10.3x ↓
6:	10.7x ↖
7:	10.2x ↙
8:	10.6x ←
9:	10.8x →
10:	10.5x ↙
Series	105.3
	624.7

Relay	Lane	Anders Hansen	
Day 3 Denmark Open Air	Aalborg Skyttekreds	M	
16.02.2020	Day 3 Denmark Open Air 2020	Denmark Open Air 2020	
Serie 1		1: 10.4x ↗ 2: 10.0 → 3: 9.6 ↗ 4: 9.8 ↗ 5: 9.0 ↘ 6: 10.5x → 7: 9.8 ← 8: 10.6x → 9: 10.7x ← 10: 10.6x ↘ Series 101.0 101.0	Serie 2
Serie 3		1: 9.0 → 2: 9.6 → 3: 9.7 ↗ 4: 10.5x ← 5: 9.1 ← 6: 9.3 ↗ 7: 10.1 ↗ 8: 9.6 → 9: 9.8 → 10: 7.6 ← Series 94.3 295.9	1: 10.5x ↘ 2: 9.7 ↙ 3: 9.7 → 4: 9.7 ↙ 5: 10.8x ↗ 6: 10.2x ← 7: 10.1 ← 8: 10.1 → 9: 10.1 ↙ 10: 9.7 ← Series 100.6 201.6
Serie 5		1: 10.1 ↗ 2: 8.7 ← 3: 9.9 ← 4: 10.4x ← 5: 10.9x ↘ 6: 10.2x ↘ 7: 9.9 ↗ 8: 9.7 ← 9: 10.5x ← 10: 10.3x ↗ Series 100.6 496.9	Serie 4
Serie 6		1: 9.4 → 2: 10.8x ↑ 3: 9.2 ↗ 4: 9.5 ← 5: 10.1 ↗ 6: 10.4x ← 7: 9.9 ← 8: 10.7x ↗ 9: 10.4x ↗ 10: 10.0 → Series 100.4 396.3	Serie 6
		1: 10.4x ← 2: 9.3 → 3: 9.8 → 4: 9.9 ← 5: 10.4x → 6: 10.7x ↗ 7: 10.5x ↗ 8: 10.0 ↘ 9: 10.5x ↘ 10: 10.1 ↘ Series 101.6 598.5	

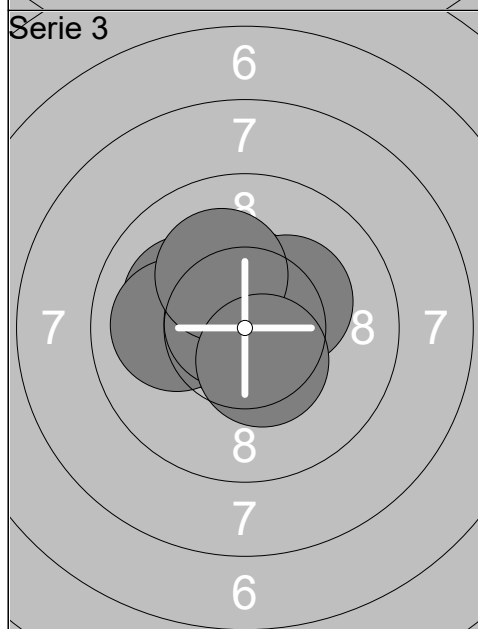
Denmark Open Air



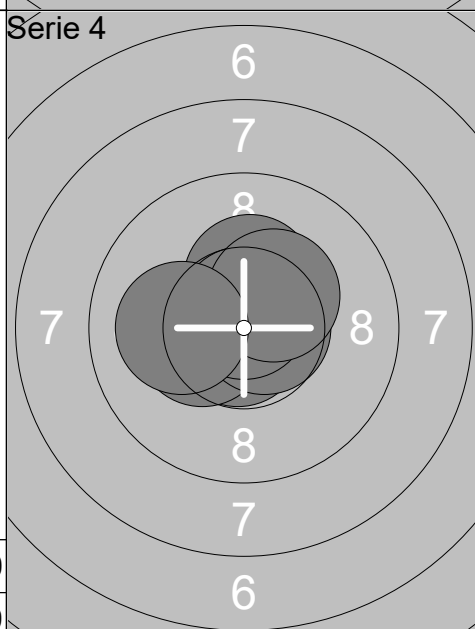
1:	10.2x ←
2:	10.8x →
3:	10.3x →
4:	10.8x →
5:	10.6x ↓
6:	10.5x ↓
7:	10.5x ←
8:	10.2x →
9:	10.5x ↓
10:	10.3x ←
Series	104.7
	104.7



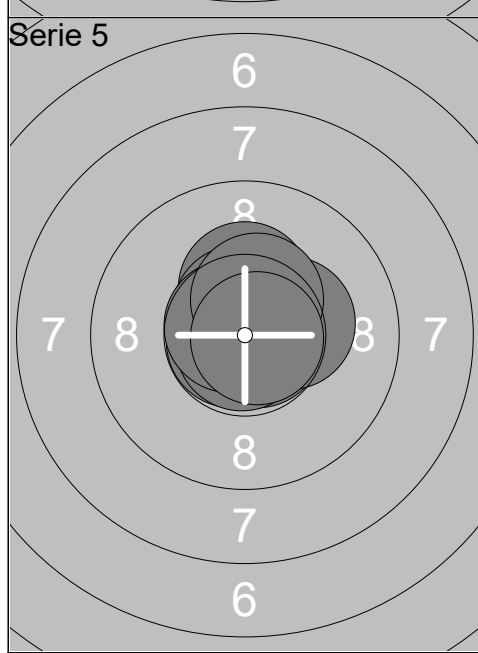
1:	10.3x ↑
2:	10.5x ↘
3:	10.2x ↑
4:	10.6x ↑
5:	9.1 ←
6:	10.5x ↓
7:	10.3x ↑
8:	10.9x
9:	10.5x ↑
10:	10.3x ←
Series	103.2
	207.9



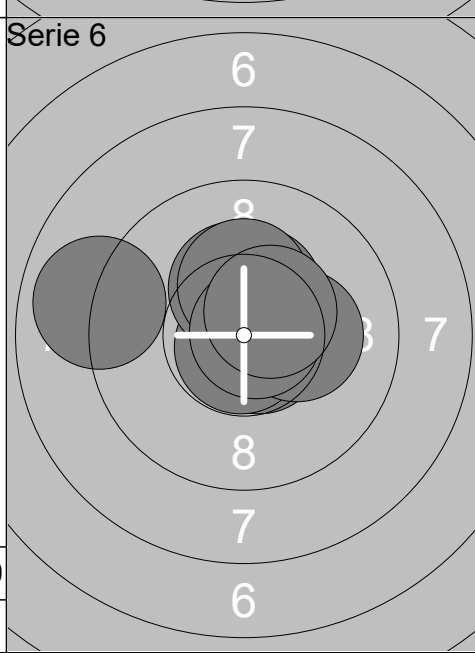
1:	10.5x ↑
2:	10.1 ←
3:	10.7x ←
4:	10.0 ←
5:	10.7x ↑
6:	10.5x ↑
7:	10.7x ←
8:	10.3x →
9:	10.1 ↑
10:	10.4x ↓
Series	104.0
	311.9



1:	10.7x ↖
2:	10.8x ↓
3:	10.7x ←
4:	10.7x ↖
5:	10.3x ↑
6:	10.3x ←
7:	10.7x →
8:	10.7x ↑
9:	10.3x ↗
10:	10.1 ←
Series	105.3
	417.2

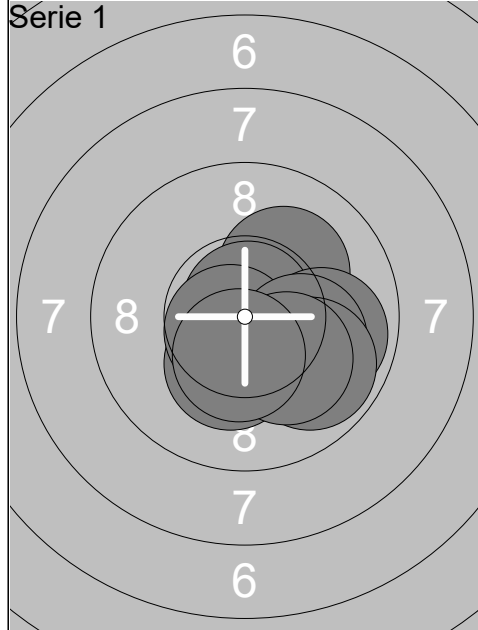


1:	10.7x →
2:	10.7x ←
3:	10.3x ↑
4:	10.6x ↑
5:	10.7x →
6:	10.3x →
7:	10.8x ↓
8:	10.7x ↖
9:	10.4x ↑
10:	10.7x →
Series	105.9
	523.1

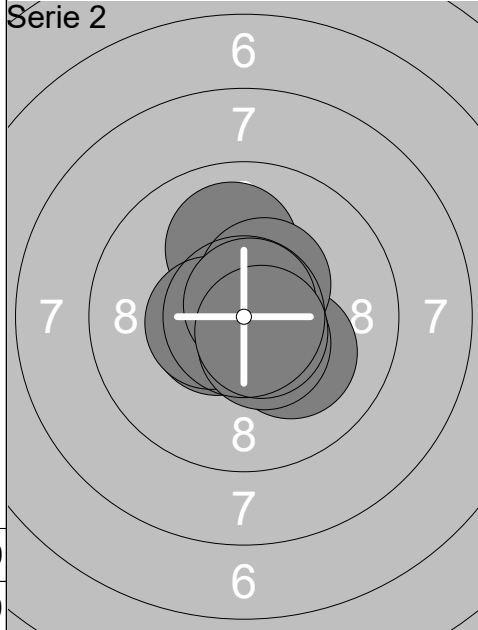


1:	10.3x ↑
2:	10.3x →
3:	8.9 ←
4:	10.7x ↘
5:	10.8x ↓
6:	10.3x ↑
7:	10.2x ↑
8:	10.2x →
9:	10.8x →
10:	10.5x ↗
Series	103.0
	626.1

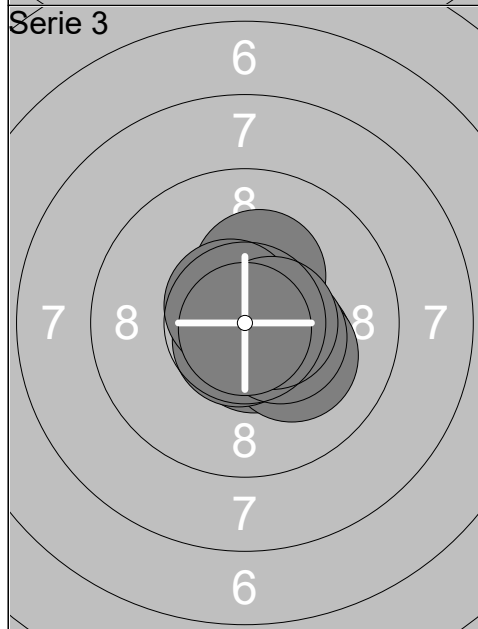




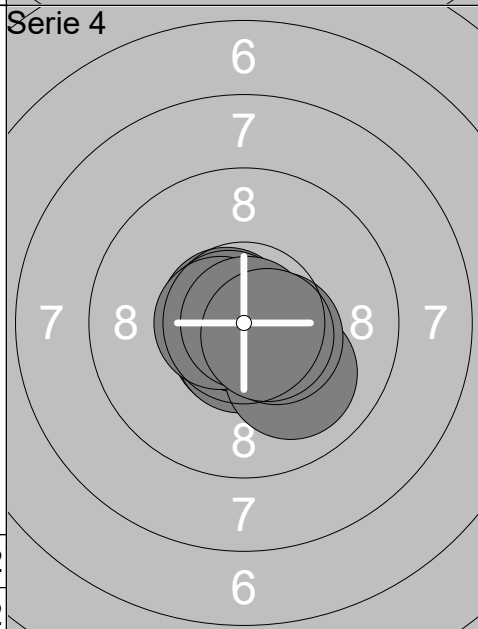
1:	10.9x ↓
2:	10.1 ↗
3:	10.8x ↗
4:	10.3x ↓
5:	9.8 →
6:	10.6x ↙
7:	10.1 →
8:	9.8 ↘
9:	10.1 ↘
10:	10.4x ↓
Series	102.9
	102.9



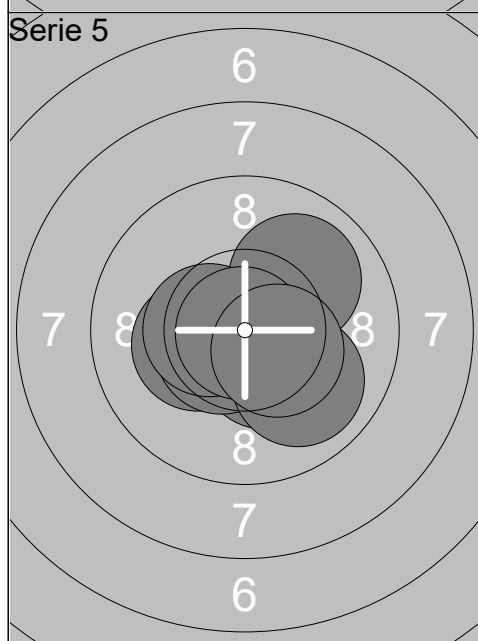
1:	10.8x ↑
2:	10.1 ↘
3:	10.0 ↑
4:	10.5x ↙
5:	10.9x ↓
6:	10.5x ↙
7:	10.4x ↗
8:	10.5x ↘
9:	10.8x ↗
10:	10.6x ↘
Series	105.1
	208.0



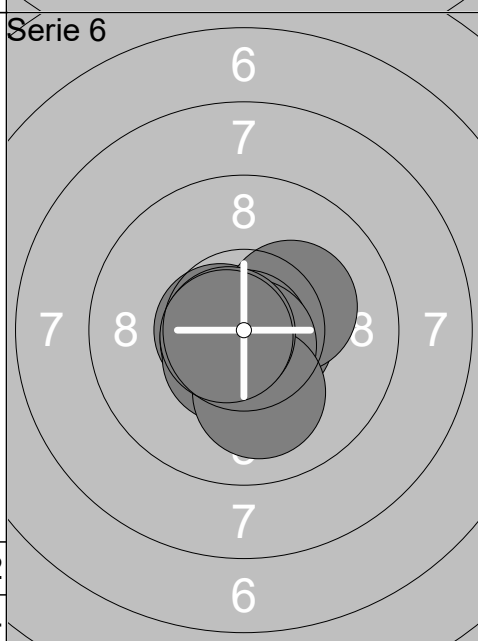
1:	10.3x ↘
2:	10.6x ↓
3:	10.2x ↘
4:	10.3x ↗
5:	10.7x ↓
6:	10.6x →
7:	10.6x ↗
8:	10.4x →
9:	10.6x →
10:	10.9x ↓
Series	105.2
	313.2



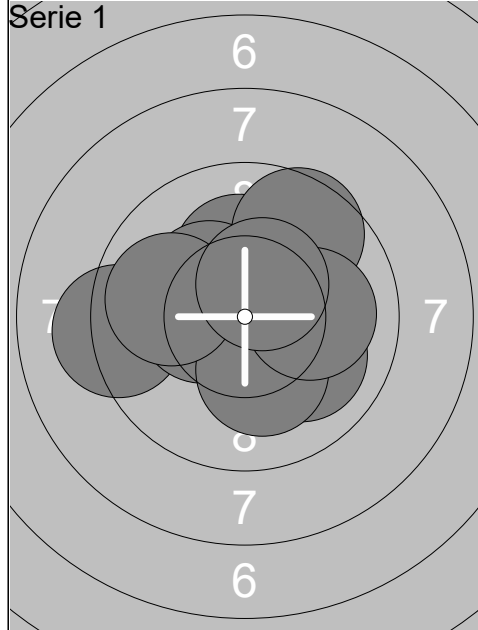
1:	10.6x ↓
2:	10.7x ↙
3:	10.6x ↓
4:	10.9x ↙
5:	10.7x ↙
6:	10.0 ↘
7:	10.6x ↙
8:	10.4x →
9:	10.9x →
10:	10.6x →
Series	106.0
	419.2



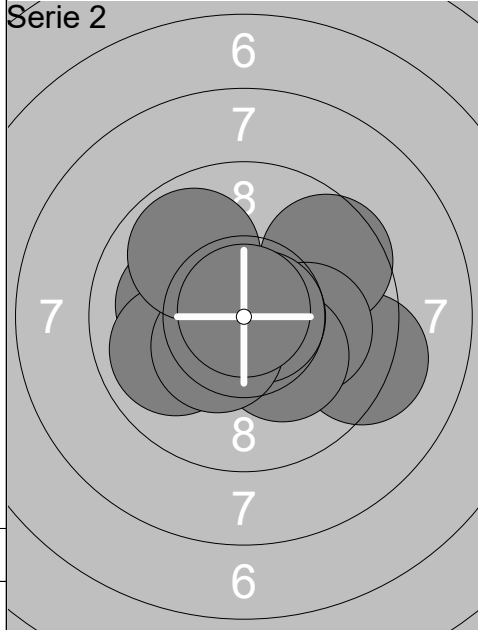
1:	10.4x ↓
2:	10.6x ↙
3:	10.8x ↓
4:	10.2x ↙
5:	10.0 ↗
6:	10.5x ↙
7:	10.5x ↙
8:	9.9 ↘
9:	10.9x ↙
10:	10.4x →
Series	104.2
	523.4



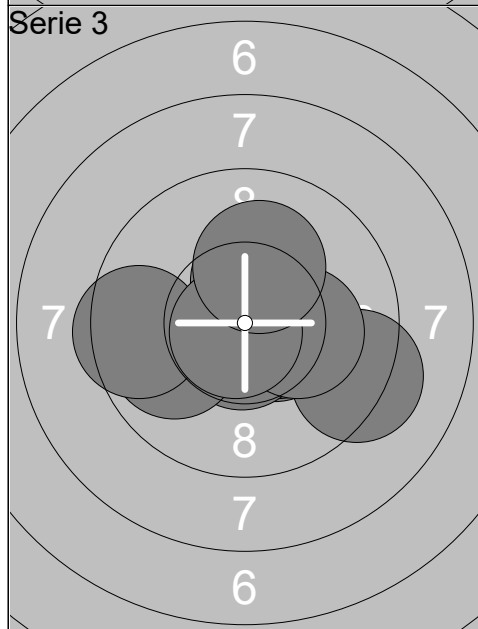
1:	10.6x ↙
2:	10.6x →
3:	10.7x ↙
4:	10.2x ↗
5:	10.8x ↓
6:	10.5x ↙
7:	10.7x ↓
8:	10.1 ↓
9:	10.7x ↙
10:	10.7x ↙
Series	105.6
	629.0



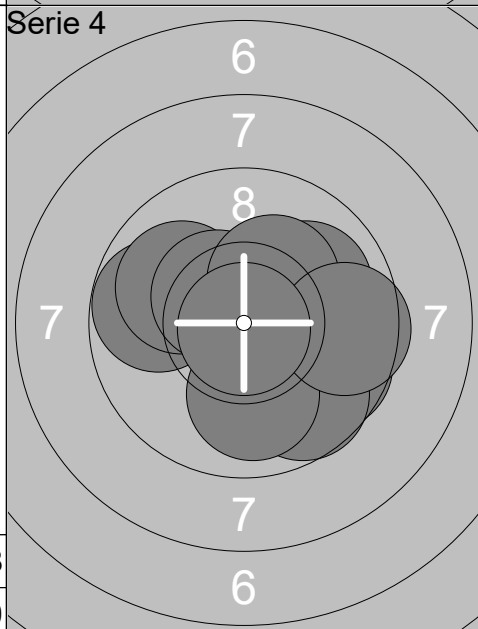
1:	9.2	←
2:	10.1	↑
3:	10.0	↘
4:	10.3x	↖
5:	10.4x	←
6:	10.2x	↘
7:	9.6	↗
8:	9.9	←
9:	10.0	→
10:	10.4x	↗
<b>Series</b>	<b>100.1</b>	
	<b>100.1</b>	



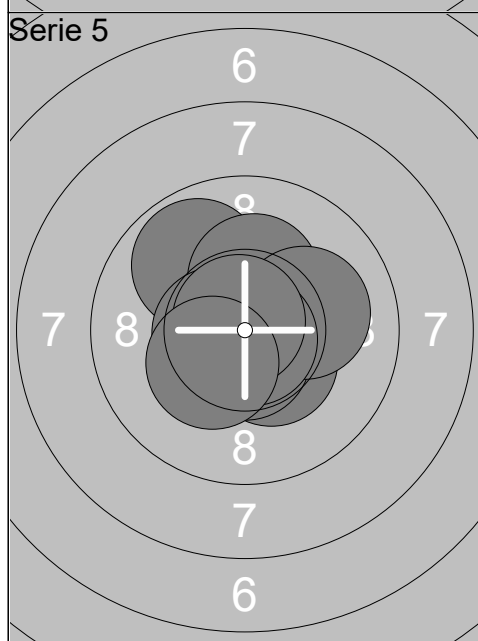
1:	9.3	→
2:	9.6	↗
3:	10.1	→
4:	10.2x	↘
5:	10.1	←
6:	10.7x	→
7:	9.9	←
8:	10.4x	↘
9:	9.9	↖
10:	10.9x	↑
<b>Series</b>	<b>101.1</b>	
	<b>201.2</b>	



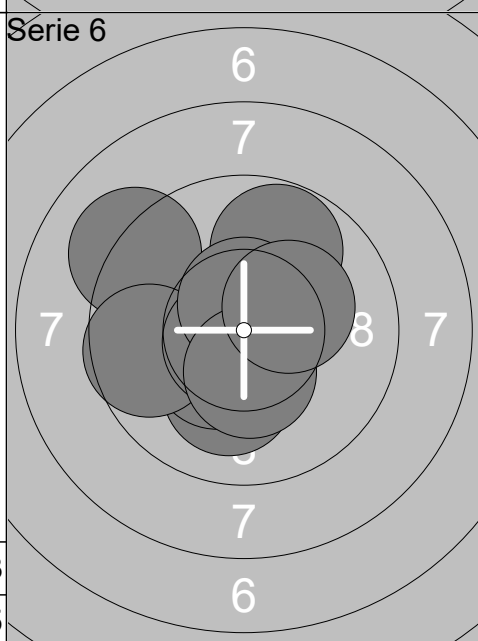
1:	10.5x	↘
2:	10.3x	↑
3:	9.3	→
4:	10.5x	→
5:	10.7x	↘
6:	10.2x	→
7:	9.9	←
8:	9.5	←
9:	10.8x	↘
10:	10.1	↑
<b>Series</b>	<b>101.8</b>	
	<b>303.0</b>	



1:	9.7	↘
2:	9.7	←
3:	10.0	↗
4:	10.0	↖
5:	10.4x	↖
6:	10.2x	↗
7:	9.7	↘
8:	10.0	↓
9:	9.6	→
10:	10.9x	↓
<b>Series</b>	<b>100.2</b>	
	<b>403.2</b>	



1:	10.7x	↑
2:	9.8	↖
3:	10.2x	↑
4:	10.4x	↘
5:	10.6x	↘
6:	10.1	→
7:	10.8x	↘
8:	10.6x	←
9:	10.8x	↖
10:	10.3x	↘
<b>Series</b>	<b>104.3</b>	
	<b>507.5</b>	

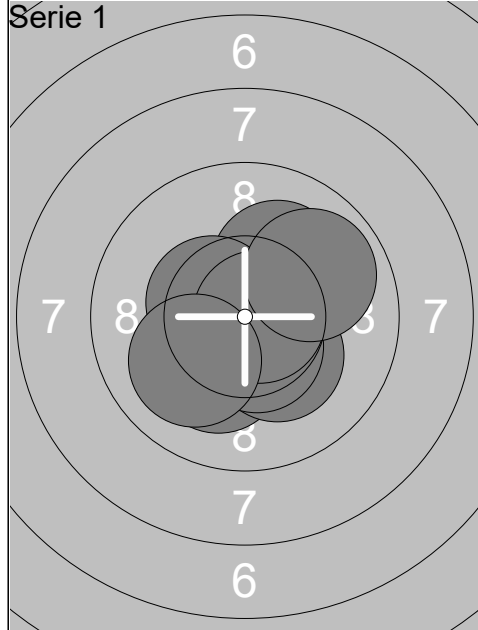


1:	10.1	↓
2:	10.2x	↗
3:	9.1	↖
4:	10.4x	↘
5:	9.6	←
6:	10.7x	↘
7:	9.8	↗
8:	10.6x	↑
9:	10.4x	↓
10:	10.3x	↗
<b>Series</b>	<b>101.2</b>	
	<b>608.7</b>	

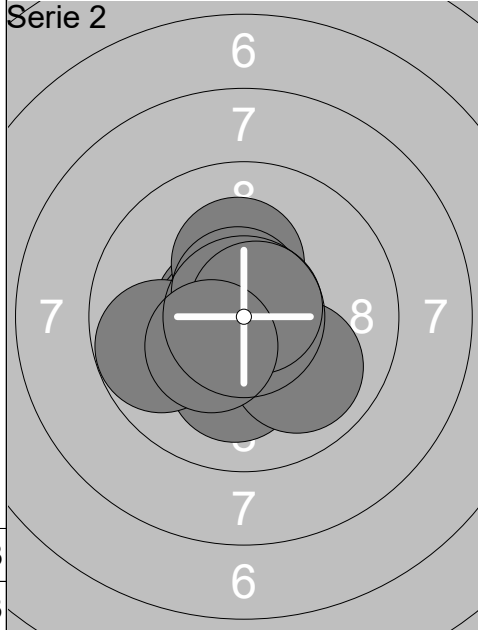
Relay <b>2</b>	Lane <b>21</b>	<b>Mikkel Damholt</b>
-------------------	-------------------	-----------------------

Day 3 Denmark Open Air	Trehøje Skytteforening	M
------------------------	------------------------	---

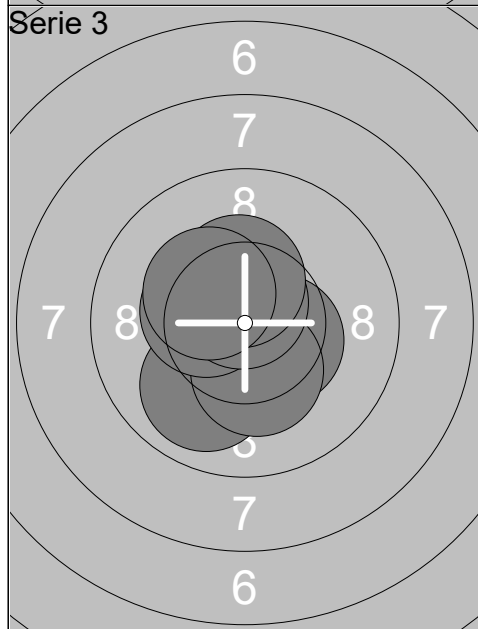
16.02.2020	Day 3 Denmark Open Air 2020	Denmark Open Air 2020
------------	-----------------------------	-----------------------



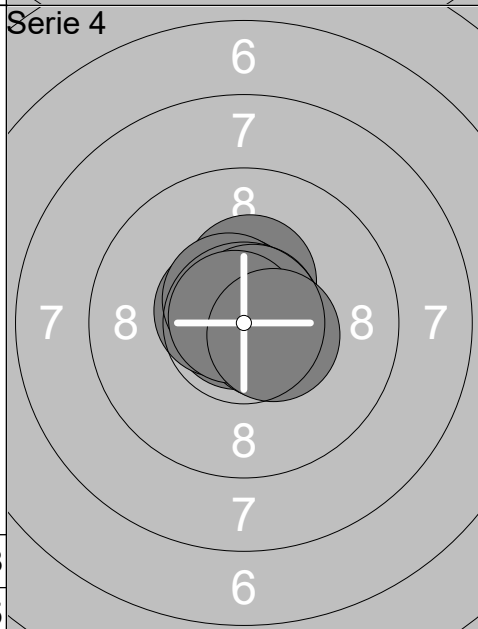
1:	10.6x	↙
2:	10.1	↗
3:	10.2x	↘
4:	10.4x	↙
5:	10.6x	↘
6:	10.3x	↘
7:	10.5x	↘
8:	10.7x	→
9:	10.0	↙
10:	9.9	↗
Series	103.3	
	103.3	



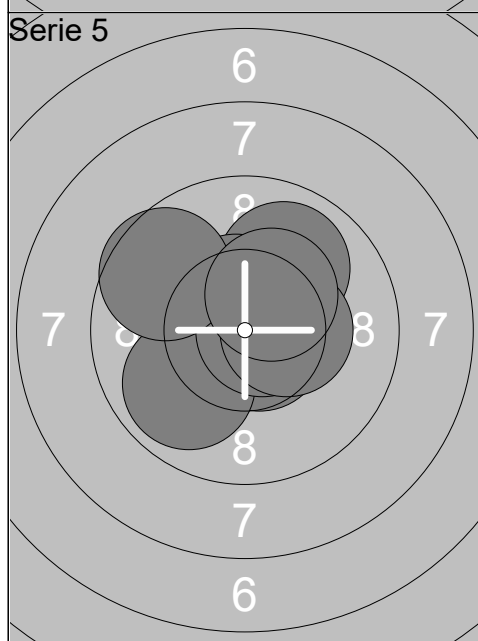
1:	10.7x	↘
2:	10.1	↘
3:	10.6x	↙
4:	9.9	↘
5:	10.6x	↙
6:	9.7	↙
7:	10.2x	↑
8:	10.6x	↑
9:	10.7x	↗
10:	10.3x	↙
Series	103.4	
	206.7	



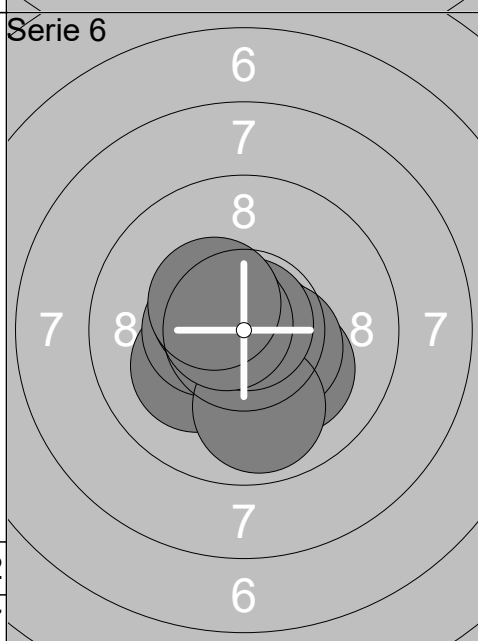
1:	10.4x	↙
2:	10.4x	↘
3:	10.5x	↙
4:	10.4x	↘
5:	10.0	↘
6:	10.3x	↘
7:	10.4x	↙
8:	10.7x	↑
9:	10.4x	↑
10:	10.3x	↙
Series	103.8	
	310.5	



1:	10.8x	↙
2:	10.6x	↙
3:	10.6x	↘
4:	10.5x	↑
5:	10.4x	↑
6:	10.6x	↗
7:	10.5x	↗
8:	10.7x	↗
9:	10.8x	↙
10:	10.5x	↘
Series	106.0	
	416.5	

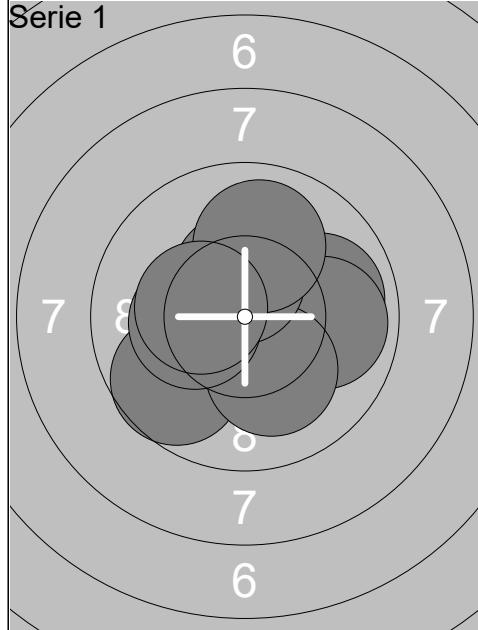


1:	10.6x	↑
2:	9.9	↗
3:	10.5x	↑
4:	10.7x	→
5:	10.6x	↘
6:	9.9	↙
7:	10.7x	→
8:	9.6	↙
9:	10.4x	→
10:	10.3x	↗
Series	103.2	
	519.7	

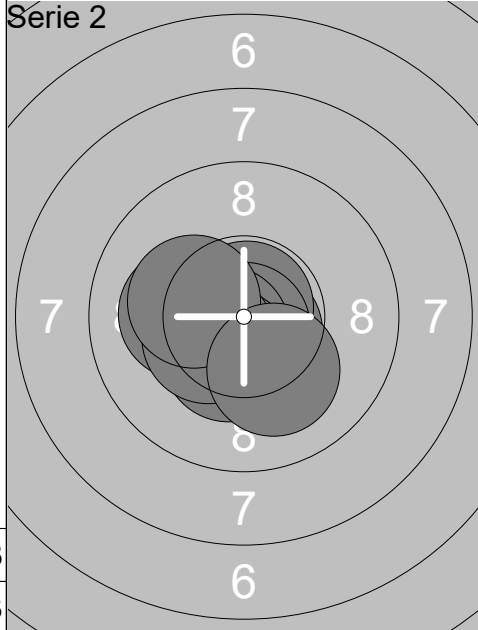


1:	10.7x	↘
2:	10.1	↘
3:	10.1	↙
4:	10.4x	↙
5:	10.4x	↘
6:	9.9	↘
7:	10.9x	↗
8:	10.5x	↙
9:	10.7x	↙
10:	10.4x	↙
Series	104.1	
	623.8	

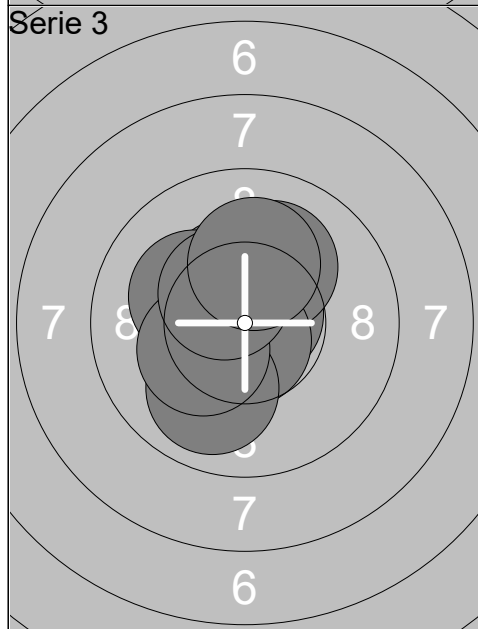
Denmark Open Air



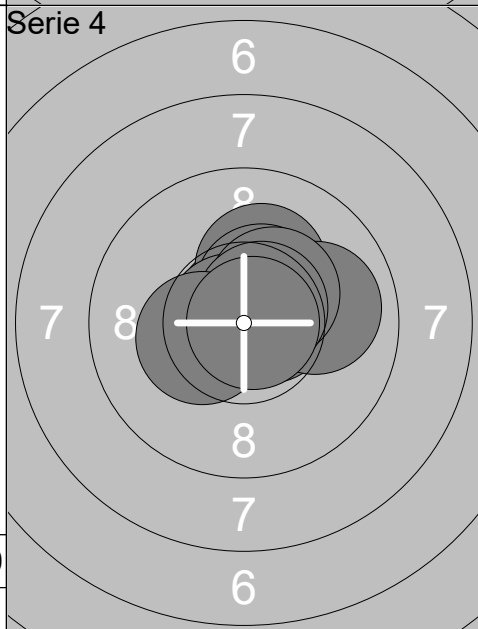
1:	10.4x ↗
2:	10.3x ↘
3:	9.9 →
4:	9.7 ↙
5:	9.9 →
6:	10.1 ↘
7:	10.4x ↑
8:	10.0 ↑
9:	10.3x ←
10:	10.3x ←
<b>Series</b>	<b>101.3</b>
	<b>101.3</b>



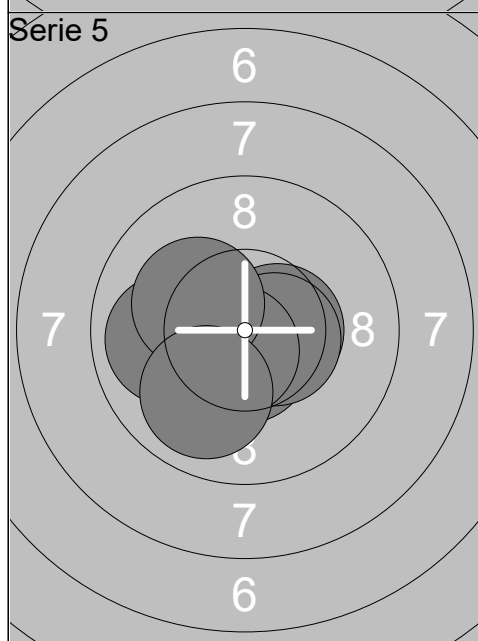
1:	10.7x ↙
2:	10.7x ↘
3:	10.8x ↑
4:	10.8x ↓
5:	10.6x ↙
6:	10.1 ←
7:	10.4x ↘
8:	10.4x ↙
9:	10.2x ←
10:	10.1 ↘
<b>Series</b>	<b>104.8</b>
	<b>206.1</b>



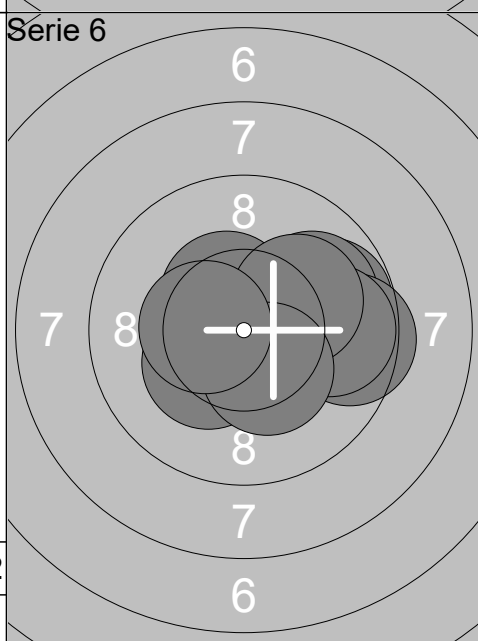
1:	10.3x ↑
2:	10.7x ↗
3:	10.1 ↑
4:	10.4x ↑
5:	10.1 ↙
6:	10.7x ↓
7:	9.9 ↘
8:	10.3x ↙
9:	10.4x ↗
10:	10.1 ↑
<b>Series</b>	<b>103.0</b>
	<b>309.1</b>



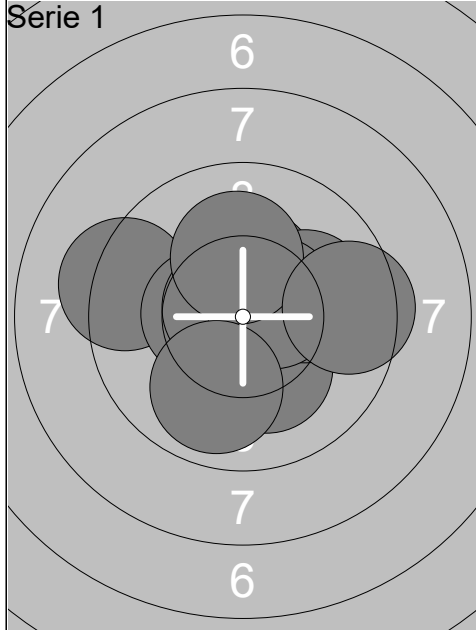
1:	10.8x ↑
2:	10.2x ↑
3:	10.6x →
4:	10.4x ↑
5:	10.8x ←
6:	9.9 →
7:	10.4x ↗
8:	10.6x ↗
9:	10.3x ←
10:	10.8x →
<b>Series</b>	<b>104.8</b>
	<b>413.9</b>



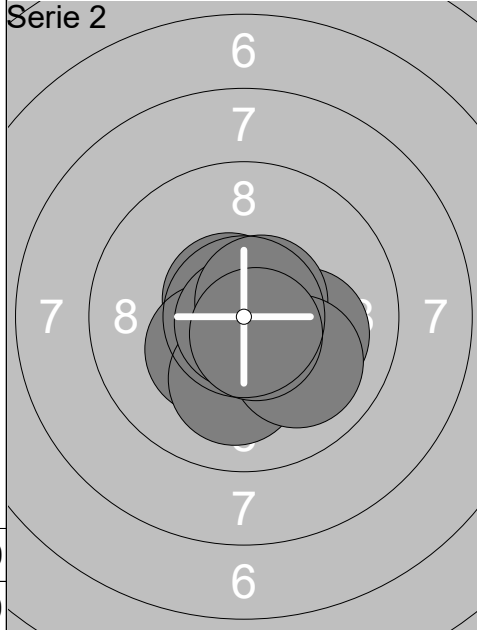
1:	10.7x ↘
2:	10.5x →
3:	10.6x ↓
4:	10.4x ↙
5:	10.8x ↓
6:	10.5x →
7:	9.9 ←
8:	10.6x ↘
9:	10.2x ↙
10:	10.0 ↘
<b>Series</b>	<b>104.2</b>
	<b>518.1</b>



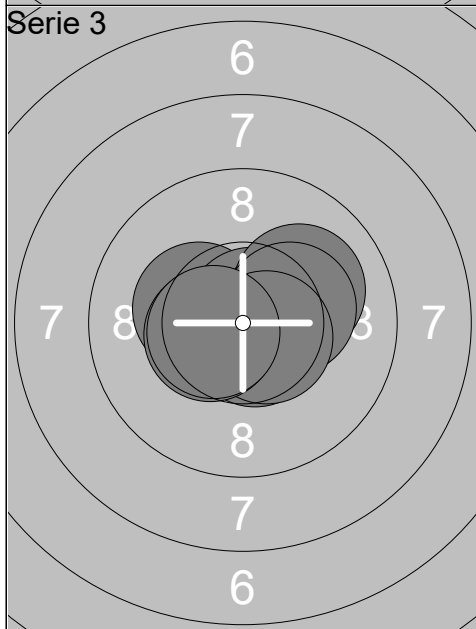
1:	10.4x ↘
2:	10.7x ←
3:	9.7 →
4:	10.3x ↙
5:	9.9 →
6:	9.5 →
7:	9.8 →
8:	10.1 ↗
9:	10.3x ↘
10:	10.4x ←
<b>Series</b>	<b>101.1</b>
	<b>619.2</b>



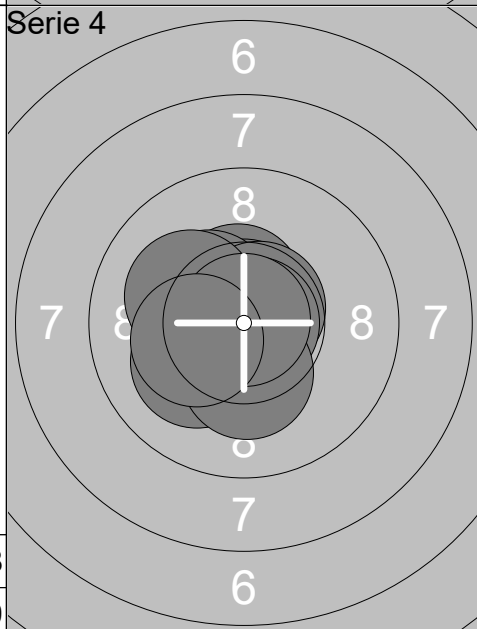
1:	10.2x	↘
2:	10.4x	↑
3:	9.2	←
4:	10.5x	←
5:	10.7x	↖
6:	10.0	→
7:	10.5x	↗
8:	10.1	↑
9:	9.9	↓
10:	9.5	→
Series	101.0	
	101.0	



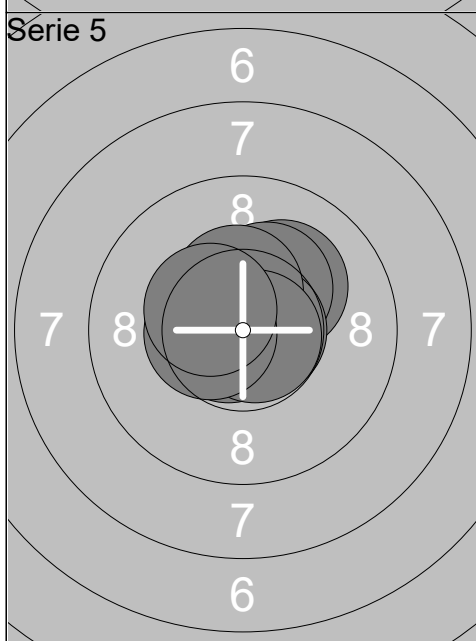
1:	10.1	→
2:	10.3x	↓
3:	10.6x	↖
4:	10.6x	↓
5:	10.3x	↙
6:	10.1	↓
7:	10.8x	↓
8:	10.6x	↗
9:	10.0	↘
10:	10.7x	↓
Series	104.1	
	205.1	



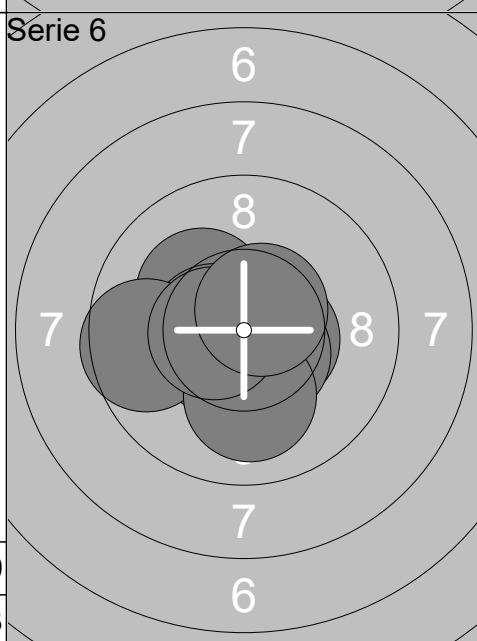
1:	10.9x	
2:	10.7x	↓
3:	10.3x	←
4:	10.8x	↗
5:	10.3x	→
6:	10.0	↗
7:	10.2x	→
8:	10.6x	↘
9:	10.5x	←
10:	10.5x	←
Series	104.8	
	309.9	



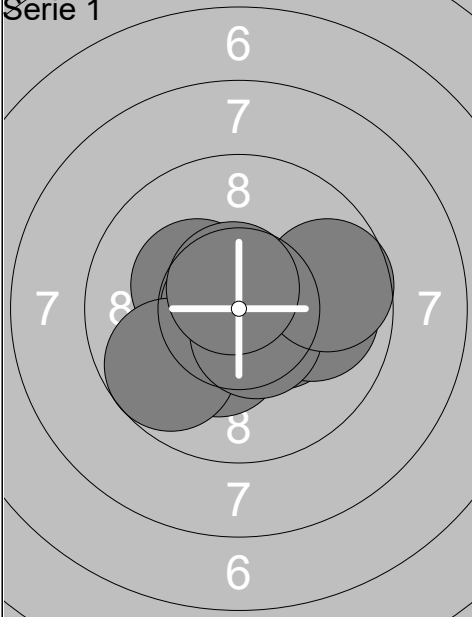
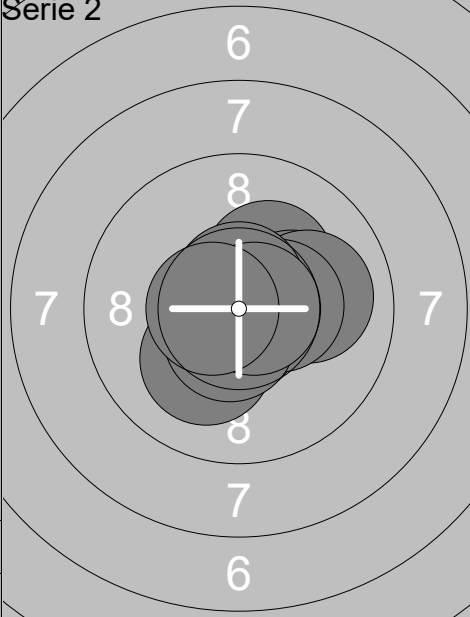
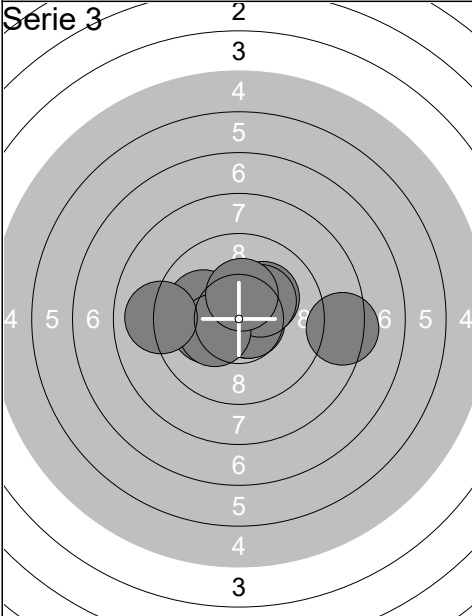
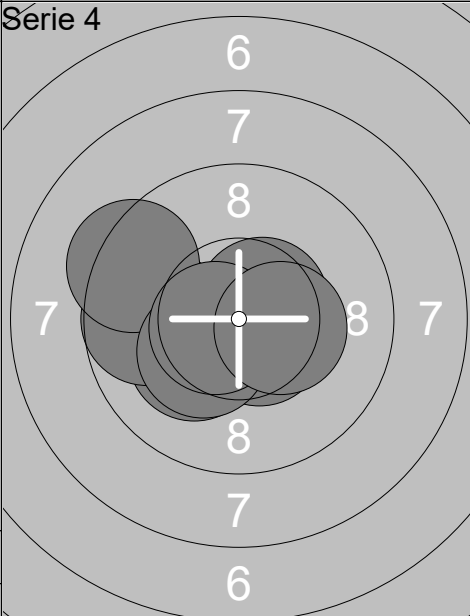
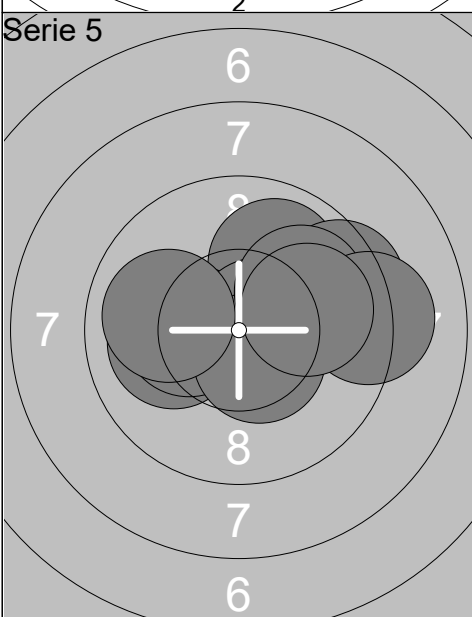
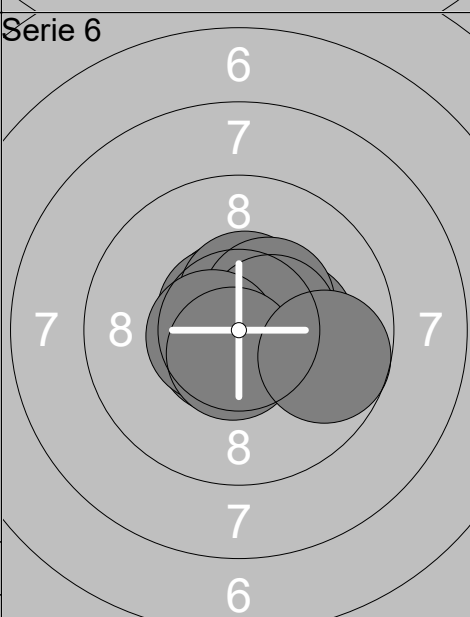
1:	10.5x	↑
2:	10.7x	↑
3:	10.3x	↖
4:	10.6x	↗
5:	10.8x	→
6:	10.1	↙
7:	10.2x	↓
8:	10.1	↖
9:	10.9x	↑
10:	10.3x	←
Series	104.5	
	414.4	



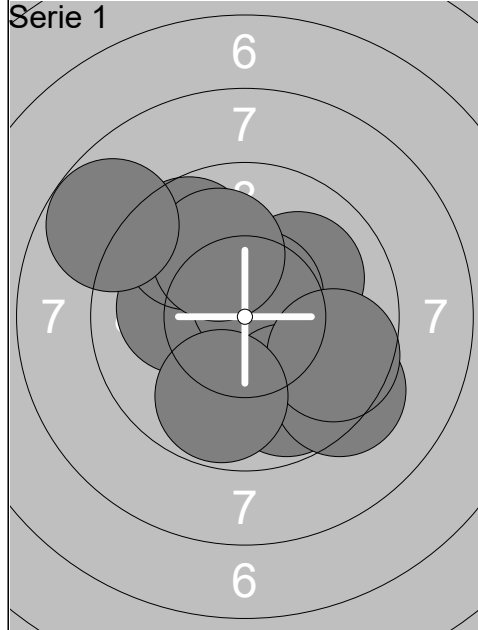
1:	10.1	↗
2:	10.7x	←
3:	10.5x	↖
4:	10.3x	↗
5:	10.7x	→
6:	10.5x	↗
7:	10.4x	↑
8:	10.8x	↘
9:	10.5x	←
10:	10.4x	↖
Series	104.9	
	519.3	



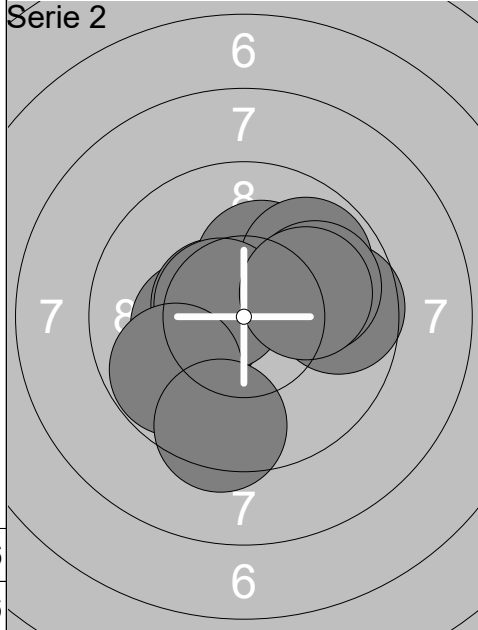
1:	10.5x	→
2:	10.2x	↖
3:	10.5x	←
4:	10.5x	↙
5:	9.6	←
6:	10.8x	→
7:	10.5x	↓
8:	10.1	↓
9:	10.5x	←
10:	10.6x	↗
Series	103.8	
	623.1	

Relay	Lane	Jan Winther							
2	24	Day 3 Denmark Open Air		Vejle HIVO	M				
16.02.2020		Day 3 Denmark Open Air 2020		Denmark Open Air 2020					
Série 1				1: 10.5x ↙ 2: 10.3x ↖ 3: 10.8x ← 4: 10.3x ↘ 5: 10.4x → 6: 9.9 → 7: 9.7 ↙ 8: 10.5x ↘ 9: 9.7 → 10: 10.6x ↑ Series 102.7 102.7		Série 2 		1: 10.2x ↗ 2: 10.7x ↓ 3: 10.2x → 4: 10.0 → 5: 10.4x → 6: 10.1 ↘ 7: 10.6x ↑ 8: 10.6x ↘ 9: 10.7x → 10: 10.6x ← Series 104.1 206.8	
Série 3				1: 8.3 → 2: 10.7x → 3: 10.2x ← 4: 10.0 ← 5: 10.7x → 6: 10.1 ↗ 7: 10.3x ↗ 8: 10.3x ← 9: 9.0 ← 10: 10.3x ↑ Series 99.9 306.7		Série 4 		1: 10.5x ↘ 2: 10.9x ↓ 3: 9.9 ← 4: 10.1 ↙ 5: 9.7 ← 6: 9.3 ↖ 7: 10.3x ↙ 8: 10.6x ↗ 9: 10.6x ← 10: 10.4x → Series 102.3 409.0	
Série 5				1: 10.0 ← 2: 9.9 ↗ 3: 10.3x ← 4: 9.4 → 5: 10.6x → 6: 10.5x ↘ 7: 9.9 ↗ 8: 9.2 → 9: 10.0 ← 10: 10.0 → Series 99.8 508.8		Série 6 		1: 10.6x ↑ 2: 10.6x ↖ 3: 10.3x → 4: 10.5x ↑ 5: 10.6x ↘ 6: 10.4x ↗ 7: 10.5x → 8: 10.6x ← 9: 10.6x ↓ 10: 9.7 → Series 104.4 613.2	

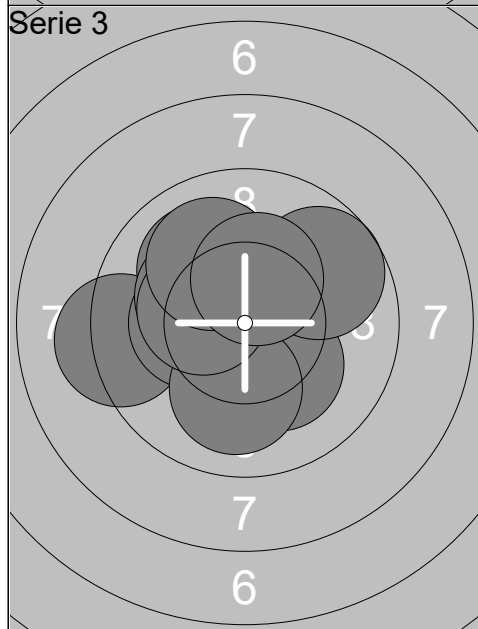
Denmark Open Air



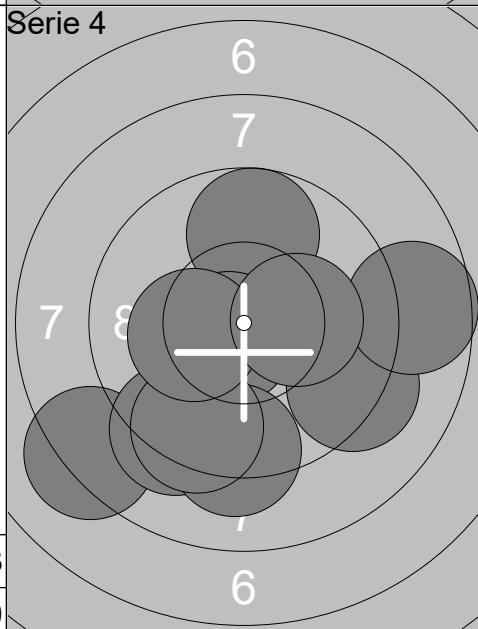
1:	10.1	←
2:	9.7	↗
3:	10.0	↗
4:	10.6x	↗
5:	9.8	↘
6:	9.3	↘
7:	9.6	↘
8:	10.0	↗
9:	8.7	↖
10:	9.8	↘
<b>Series</b>		<b>97.6</b>
		97.6



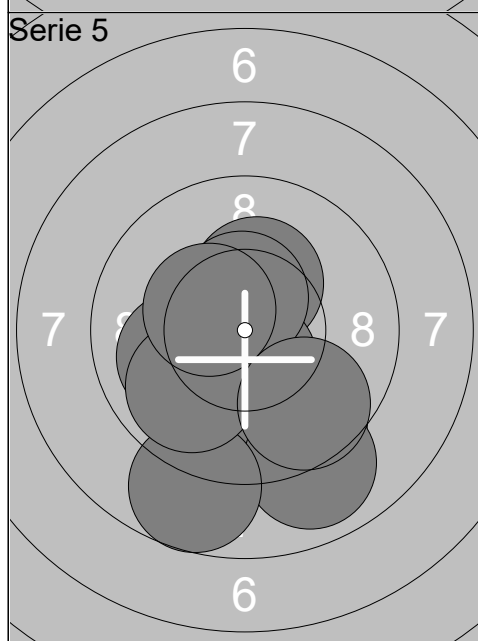
1:	9.6	→
2:	10.3x	←
3:	10.5x	↖
4:	10.2x	↗
5:	9.8	↗
6:	10.6x	↖
7:	9.9	↗
8:	10.0	↗
9:	9.8	↘
10:	9.4	↘
<b>Series</b>		<b>100.1</b>
		197.7



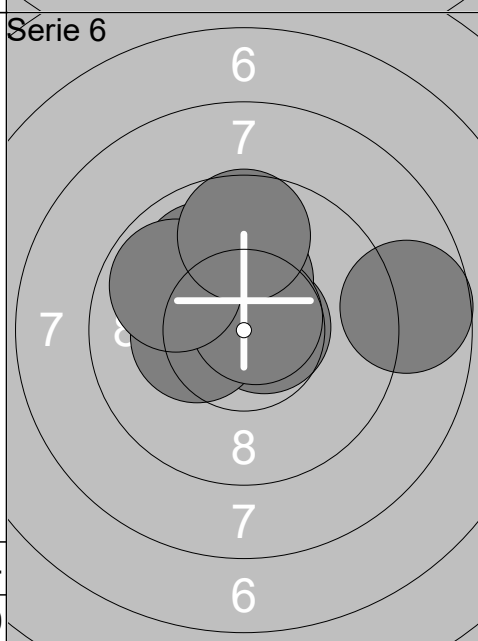
1:	9.2	←
2:	10.3x	←
3:	10.2x	↘
4:	10.0	↗
5:	10.2x	↖
6:	9.7	↗
7:	10.1	↘
8:	10.3x	←
9:	10.0	↗
10:	10.3x	↗
<b>Series</b>		<b>100.3</b>
		298.0



1:	9.7	↗
2:	8.2	↘
3:	9.2	↘
4:	10.7x	↖
5:	9.2	↘
6:	8.6	→
7:	9.2	↘
8:	9.4	↘
9:	10.2x	←
10:	10.2x	→
<b>Series</b>		<b>94.6</b>
		392.6



1:	9.5	↘
2:	10.3x	↗
3:	10.5x	↘
4:	8.9	↘
5:	8.7	↘
6:	10.0	←
7:	10.5x	↗
8:	9.9	↘
9:	9.7	↘
10:	10.4x	↖
<b>Series</b>		<b>98.4</b>
		491.0

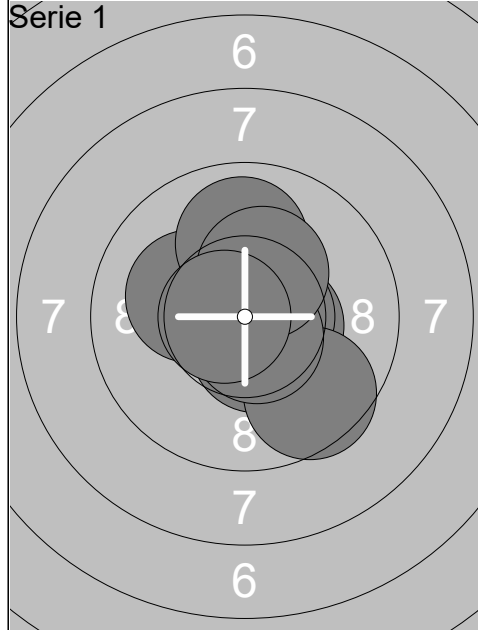


1:	9.9	↖
2:	10.6x	→
3:	10.3x	↗
4:	10.3x	←
5:	10.3x	↖
6:	10.3x	←
7:	10.7x	↗
8:	9.8	↖
9:	9.7	↗
10:	8.7	→
<b>Series</b>		<b>100.6</b>
		591.6

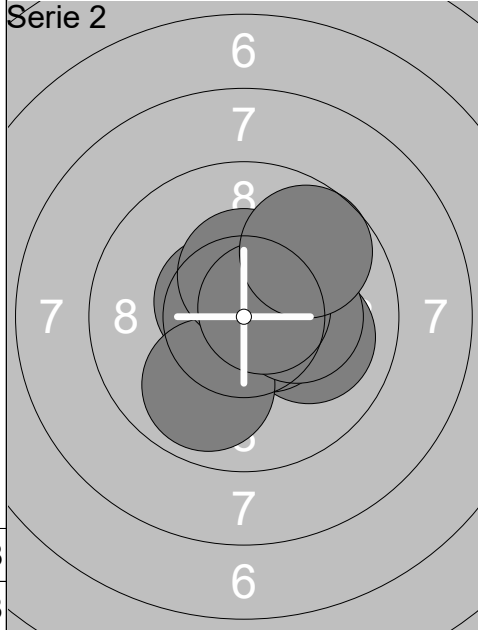
Relay	Lane	Steffen H. Olsen	
Day 3 Denmark Open Air	Ballerup skytteforening	M	
16.02.2020	Day 3 Denmark Open Air 2020	Denmark Open Air 2020	
Serie 1	1: 9.7 ← 2: 10.6x ↘ 3: 10.6x ↗ 4: 10.6x ↖ 5: 10.6x ↗ 6: 10.7x ↖ 7: 10.3x ↗ 8: 10.6x ↘ 9: 10.6x ← 10: 10.7x ↘ Series 105.0 105.0	Serie 2	1: 10.8x ↑ 2: 10.6x → 3: 10.4x ↗ 4: 10.1 ↗ 5: 10.1 ← 6: 10.5x ↖ 7: 10.5x ← 8: 10.7x ↗ 9: 10.5x → 10: 10.7x ↘ Series 104.9 209.9
Serie 3	1: 10.4x ← 2: 10.4x → 3: 10.1 ← 4: 10.8x ↓ 5: 10.4x ↗ 6: 10.6x → 7: 10.7x ↗ 8: 10.3x ↖ 9: 10.9x → 10: 10.6x ↗ Series 105.2 315.1	Serie 4	1: 10.7x ↗ 2: 10.1 ← 3: 10.6x ↗ 4: 10.1 ↗ 5: 10.7x ↘ 6: 10.7x ← 7: 10.6x ↘ 8: 10.9x ↑ 9: 10.6x ↓ 10: 10.4x ← Series 105.4 420.5
Serie 5	1: 9.9 ← 2: 10.5x ↘ 3: 10.4x ← 4: 10.6x ↓ 5: 10.3x ← 6: 10.2x ↘ 7: 10.5x ← 8: 10.5x ↘ 9: 10.2x ↘ 10: 10.3x ← Series 103.4 523.9	Serie 6	1: 10.2x → 2: 10.4x ↗ 3: 10.6x ↗ 4: 10.5x ↘ 5: 10.2x ← 6: 10.1 ↗ 7: 10.5x ↘ 8: 10.2x ↗ 9: 10.5x ↗ 10: 10.4x ↖ Series 103.6 627.5

Denmark Open Air

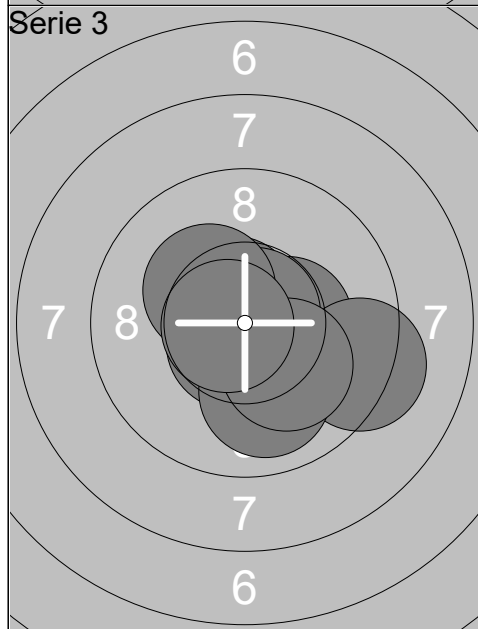




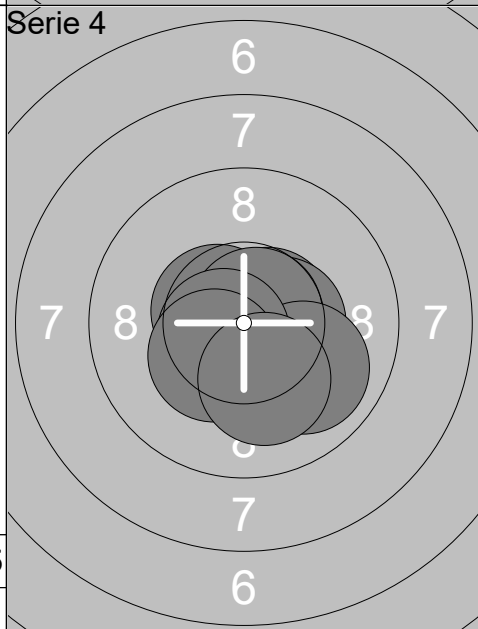
1:	10.5x →
2:	10.2x ←
3:	9.9 ↑
4:	10.5x ↓
5:	10.9x ↓
6:	10.6x →
7:	9.6 ↓
8:	10.6x ↓
9:	10.3x ↑
10:	10.7x ←
<b>Series</b>	<b>103.8</b>
	<b>103.8</b>



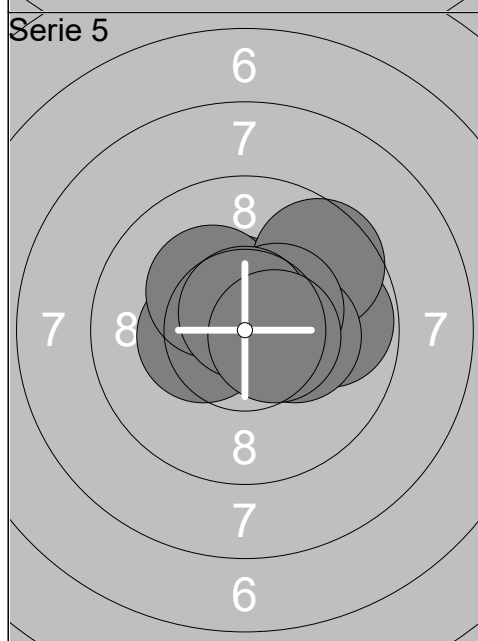
1:	10.5x →
2:	10.5x ←
3:	10.4x ↑
4:	10.0 →
5:	10.6x →
6:	9.9 ↓
7:	10.2x →
8:	10.4x ↑
9:	10.6x →
10:	9.7 ↗
<b>Series</b>	<b>102.8</b>
	<b>206.6</b>



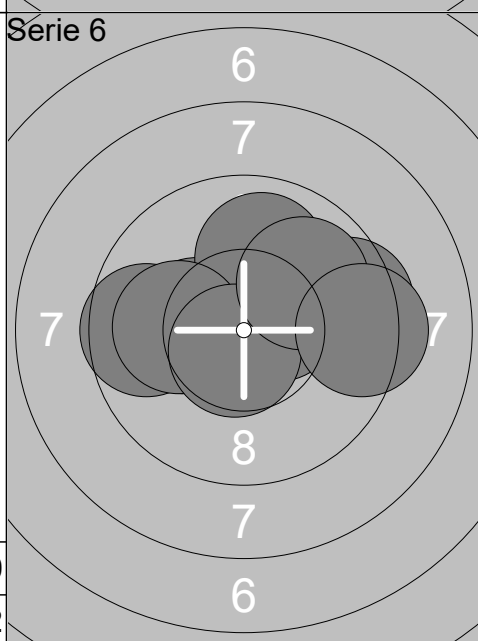
1:	10.6x ↓
2:	10.4x →
3:	9.2 →
4:	10.9x ↓
5:	10.6x ↖
6:	10.7x ↗
7:	10.0 ↓
8:	10.3x ↗
9:	10.1 ↓
10:	10.7x ←
<b>Series</b>	<b>103.5</b>
	<b>310.1</b>



1:	10.5x ↓
2:	10.6x →
3:	10.5x ↓
4:	10.4x →
5:	10.5x ←
6:	10.7x ↗
7:	9.9 ↘
8:	10.6x ←
9:	10.3x ↙
10:	10.1 ↓
<b>Series</b>	<b>104.1</b>
	<b>414.2</b>



1:	10.7x →
2:	10.4x ←
3:	10.5x ↗
4:	10.2x ↖
5:	9.8 →
6:	9.6 ↗
7:	10.2x →
8:	10.4x ↗
9:	10.7x ↑
10:	10.5x →
<b>Series</b>	<b>103.0</b>
	<b>517.2</b>



1:	10.4x →
2:	10.1 ←
3:	10.3x ←
4:	9.9 ↑
5:	9.6 ←
6:	10.1 ←
7:	10.6x ↓
8:	9.5 →
9:	9.9 ↗
10:	9.3 →
<b>Series</b>	<b>99.7</b>
	<b>616.9</b>

Relay	Lane	Cristian Friman		
2	28	Day 3 Denmark Open Air	Esbo Skytteförening 1904	M
16.02.2020	Day 3 Denmark Open Air 2020	Denmark Open Air 2020		
Serie 1 	1: 10.1 ↗	Serie 2 	1: 10.6x ↘	
	2: 10.6x →		2: 10.6x →	
	3: 10.6x ↗		3: 10.2x ↖	
	4: 10.5x ↗		4: 10.3x ←	
	5: 10.3x ↗		5: 10.3x ↗	
	6: 10.4x ↘		6: 10.7x ↗	
	7: 10.1 ↗		7: 10.2x ↘	
	8: 10.6x ←		8: 10.5x →	
	9: 10.7x ↗		9: 10.3x ↗	
	10: 10.2x ↗		10: 10.4x ↖	
	Series 104.1		Series 104.1	
	104.1		208.2	
Serie 3 	1: 10.1 ↗	Serie 4 	1: 10.1 ↘	
	2: 10.3x ↗		2: 10.5x ↘	
	3: 10.6x ↘		3: 10.1 ↗	
	4: 10.4x →		4: 10.6x →	
	5: 10.6x ↗		5: 10.6x ↘	
	6: 10.1 ↘		6: 10.7x →	
	7: 10.4x ←		7: 10.3x ↗	
	8: 10.5x →		8: 10.2x ↗	
	9: 10.6x →		9: 10.8x ↘	
	10: 9.9 ↗		10: 9.9 ←	
	Series 103.5		Series 103.8	
	311.7		415.5	
Serie 5 	1: 10.1 ←	Serie 6 	1: 10.8x ↘	
	2: 10.1 →		2: 10.0 ←	
	3: 10.7x ↗		3: 10.5x ↘	
	4: 10.0 ←		4: 10.0 ←	
	5: 10.5x ↘		5: 9.1 ↗	
	6: 10.3x ↘		6: 10.2x ↗	
	7: 10.5x ↘		7: 10.0 ↗	
	8: 10.3x ↗		8: 10.3x ↗	
	9: 9.9 ↘		9: 10.5x ↗	
	10: 9.6 ←		10: 10.6x ←	
	Series 102.0		Series 102.0	
	517.5		619.5	

Denmark Open Air