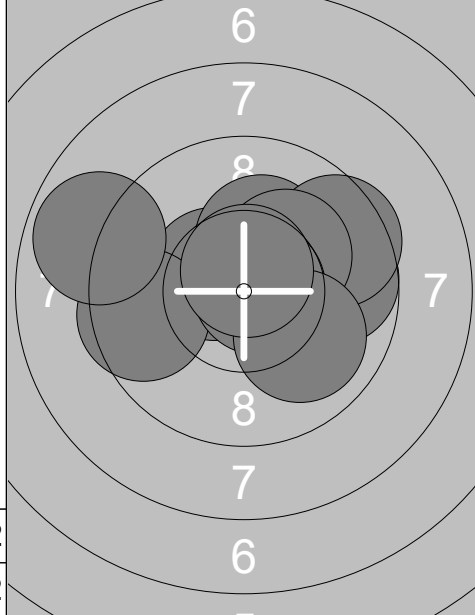
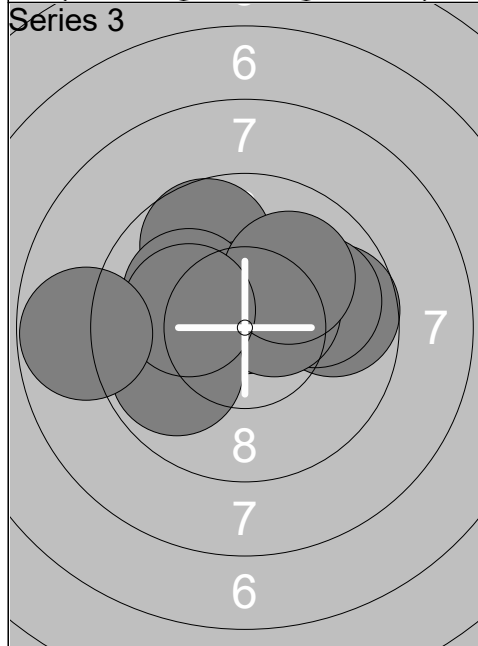


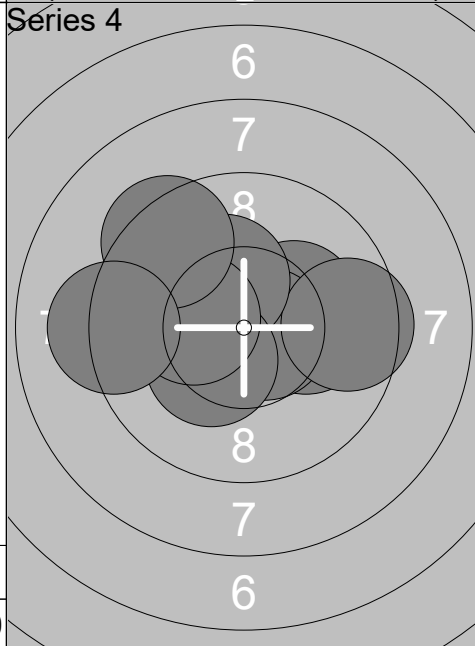
1:	9.5	↙
2:	9.5	↙
3:	9.8	↗
4:	9.7	→
5:	10.3x	↗
6:	10.0	→
7:	10.3x	↙
8:	10.0	←
9:	8.4	→
10:	9.7	↘
Series	97.2	
	97.2	



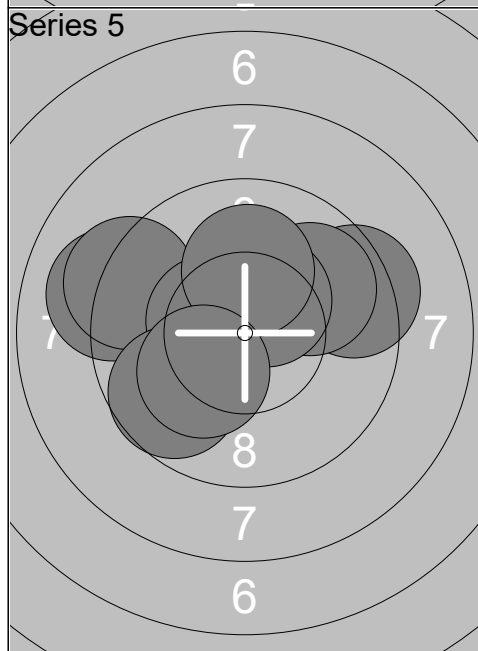
1:	10.5x	↖
2:	9.7	→
3:	10.2x	↗
4:	9.5	←
5:	9.5	↗
6:	10.2x	↗
7:	10.7x	→
8:	8.8	←
9:	9.9	↘
10:	10.7x	↗
Series	99.7	
	196.9	



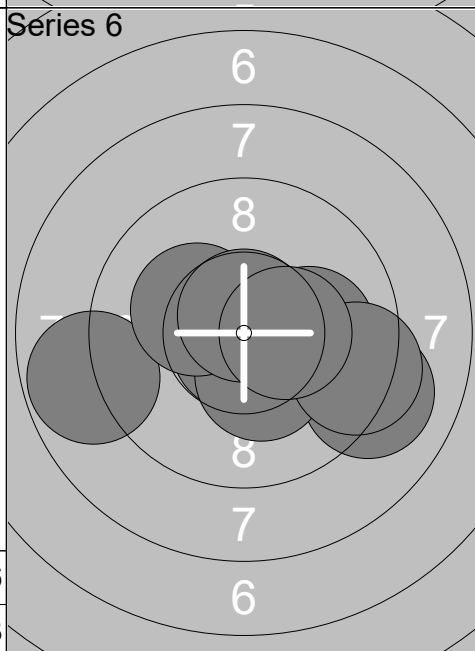
1:	9.7	↗
2:	9.7	→
3:	9.9	→
4:	10.6x	↗
5:	10.5x	↗
6:	10.0	↖
7:	10.0	↗
8:	9.8	↖
9:	10.1	↖
10:	8.8	←
Series	99.1	
	296.0	



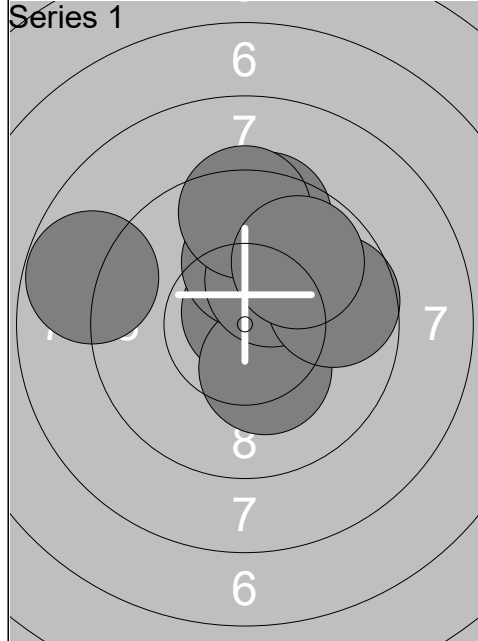
1:	10.1	→
2:	10.2x	→
3:	10.6x	→
4:	9.5	→
5:	10.2x	↗
6:	10.3x	↙
7:	10.0	←
8:	10.2x	←
9:	9.4	↖
10:	9.2	←
Series	99.7	
	395.7	



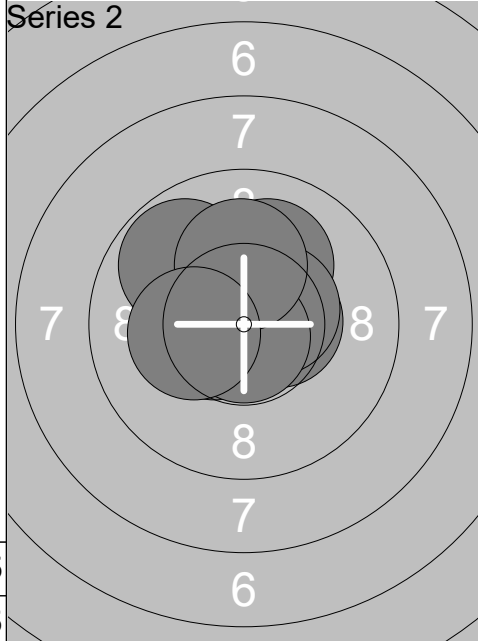
1:	9.1	←
2:	9.2	↖
3:	10.2x	↗
4:	9.4	→
5:	10.5x	↖
6:	9.9	↗
7:	10.4x	↗
8:	10.1	↗
9:	9.7	↖
10:	10.1	↖
Series	98.6	
	494.3	



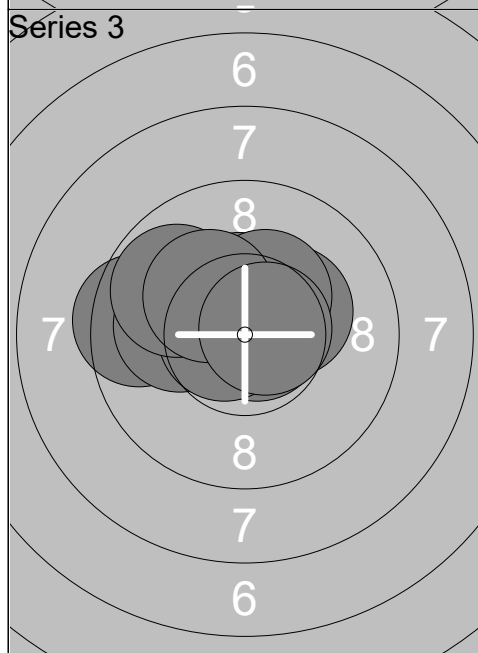
1:	10.0	→
2:	10.9x	
3:	10.7x	↙
4:	9.1	↘
5:	10.3x	↙
6:	8.8	←
7:	9.3	→
8:	10.2x	↖
9:	10.7x	↗
10:	10.4x	→
Series	100.4	
	594.7	



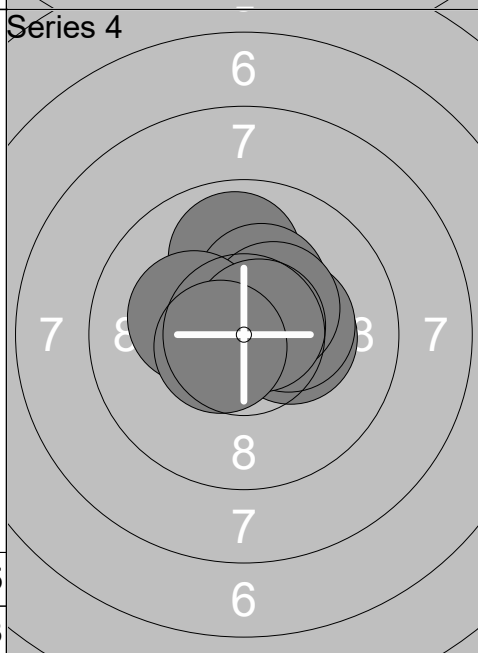
1:	9.9 ↗
2:	10.8x ↑
3:	9.5 ↑
4:	10.3x ↓
5:	10.1 ↑
6:	10.2x ↗
7:	8.8 ←
8:	9.7 →
9:	9.4 ↑
10:	9.8 ↗
Series	98.5
	98.5



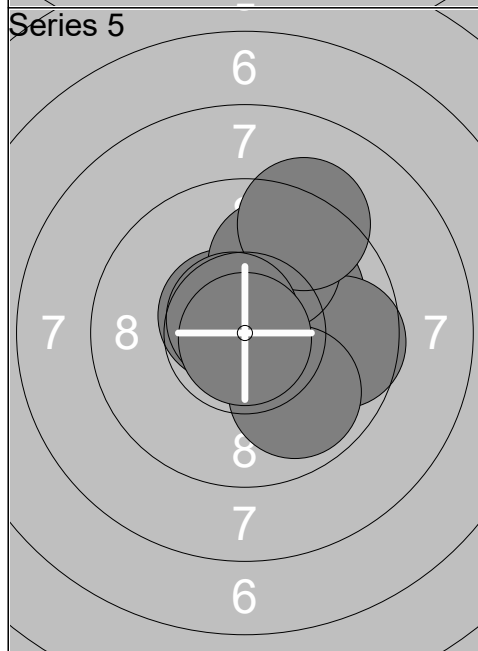
1:	10.1 ↗
2:	10.1 ↖
3:	9.8 ↖
4:	10.5x →
5:	10.5x ↗
6:	10.7x ↖
7:	10.5x ←
8:	10.8x ↓
9:	10.1 ↑
10:	10.2x ←
Series	103.3
	201.8



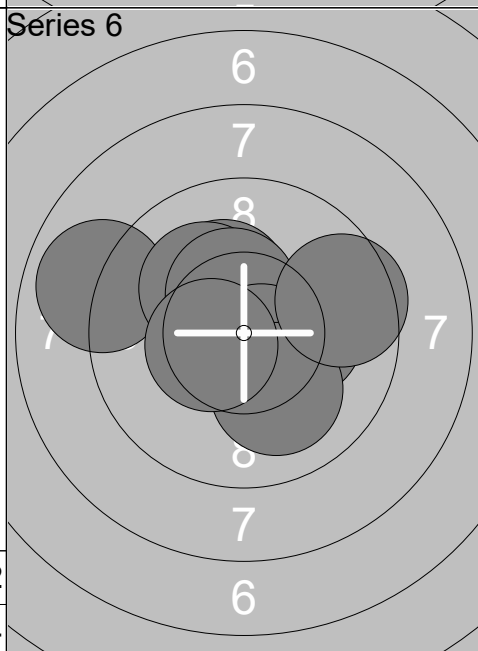
1:	10.4x ↑
2:	10.3x ↗
3:	9.5 ←
4:	10.3x ↗
5:	10.8x →
6:	10.0 ←
7:	10.6x ←
8:	9.8 ↖
9:	10.2x ↖
10:	10.6x →
Series	102.5
	304.3



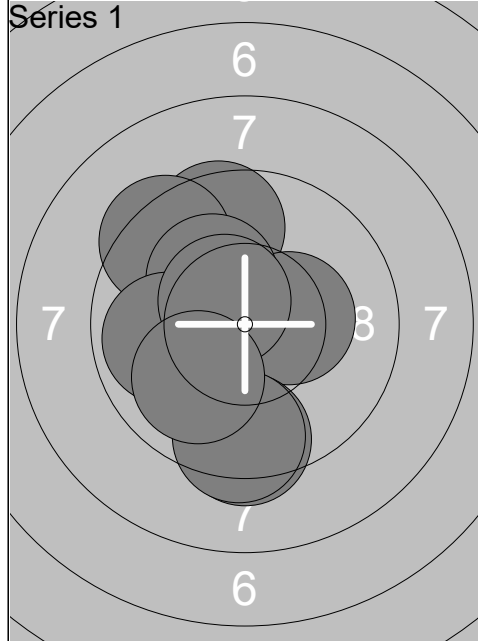
1:	10.6x ↗
2:	10.3x →
3:	10.3x →
4:	10.6x ↗
5:	9.9 ↑
6:	10.3x ↗
7:	10.4x ↗
8:	10.2x ↖
9:	10.7x ↗
10:	10.6x ↙
Series	103.9
	408.2



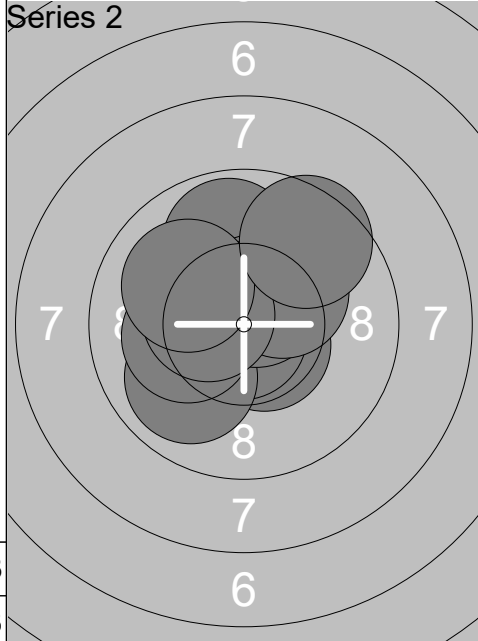
1:	10.6x ↖
2:	10.8x ↗
3:	10.0 ↗
4:	10.6x →
5:	9.7 →
6:	9.9 ↓
7:	9.9 ↑
8:	9.2 ↗
9:	10.7x ↖
10:	10.8x ↓
Series	102.2
	510.4



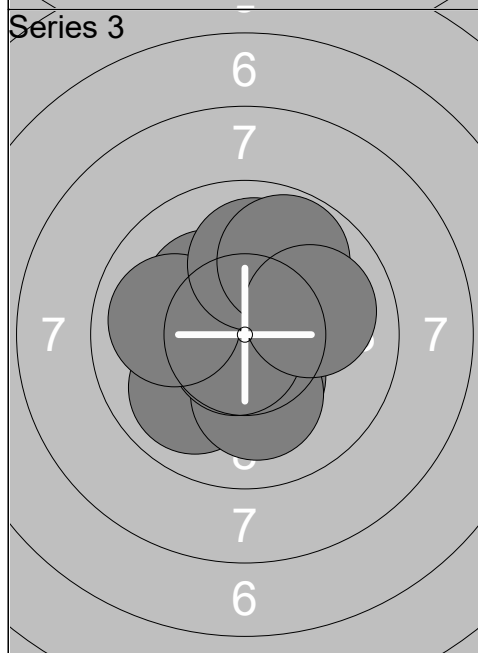
1:	10.2x ↗
2:	8.9 ←
3:	10.1 ↖
4:	10.2x →
5:	10.7x ↑
6:	10.4x ↗
7:	10.6x ↓
8:	10.1 ↓
9:	10.5x ←
10:	9.5 →
Series	101.2
	611.6



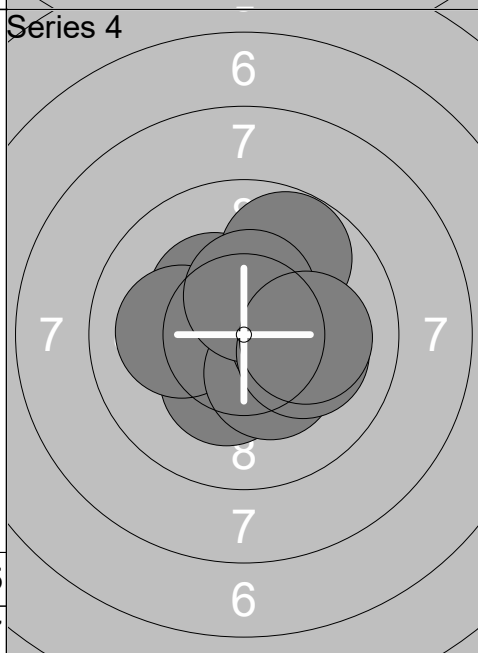
1:	9.6	↑
2:	9.4	↖
3:	10.6x	↙
4:	10.3x	→
5:	10.2x	↖
6:	9.4	↓
7:	9.9	←
8:	10.5x	↖
9:	9.4	↓
10:	10.0	↙
Series		99.3
		99.3



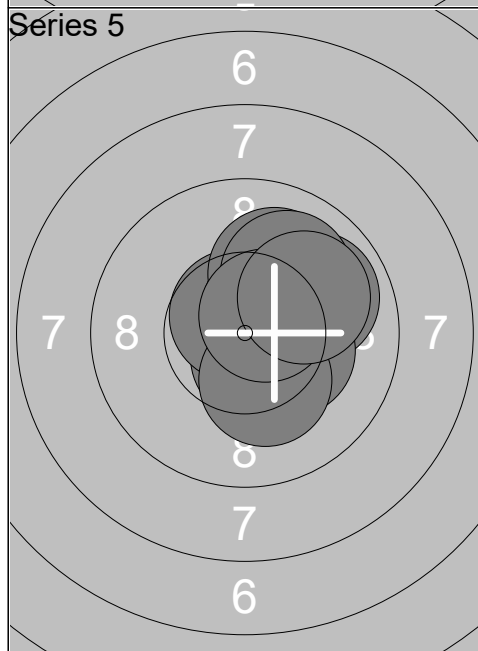
1:	10.5x	↘
2:	10.8x	↙
3:	9.9	↙
4:	9.8	↑
5:	10.2x	←
6:	10.6x	↗
7:	10.2x	↗
8:	10.4x	←
9:	10.0	↖
10:	9.5	↗
Series		101.9
		201.2



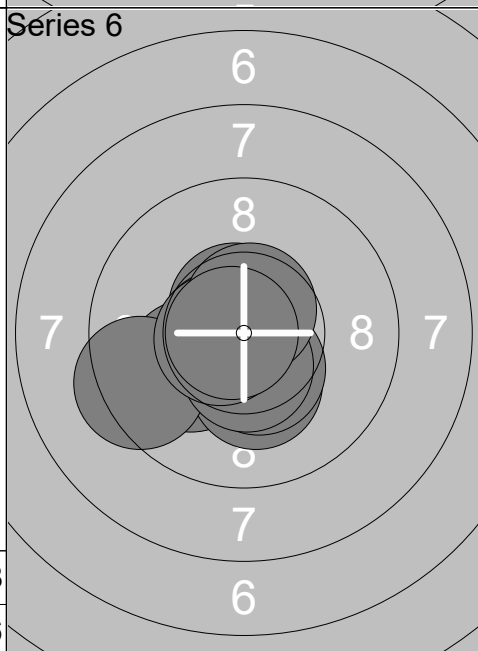
1:	10.3x	↘
2:	10.2x	↖
3:	10.4x	↑
4:	10.0	↙
5:	10.1	↓
6:	10.7x	↙
7:	10.0	←
8:	10.0	↑
9:	9.8	↗
10:	10.0	→
Series		101.5
		302.7



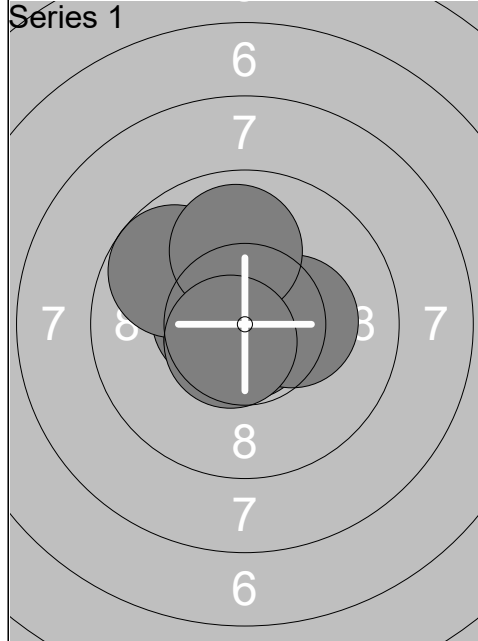
1:	10.3x	↘
2:	10.5x	↗
3:	10.3x	↖
4:	10.1	←
5:	10.3x	↘
6:	9.8	↗
7:	10.2x	→
8:	10.4x	↑
9:	10.1	→
10:	10.1	→
Series		102.1
		404.8



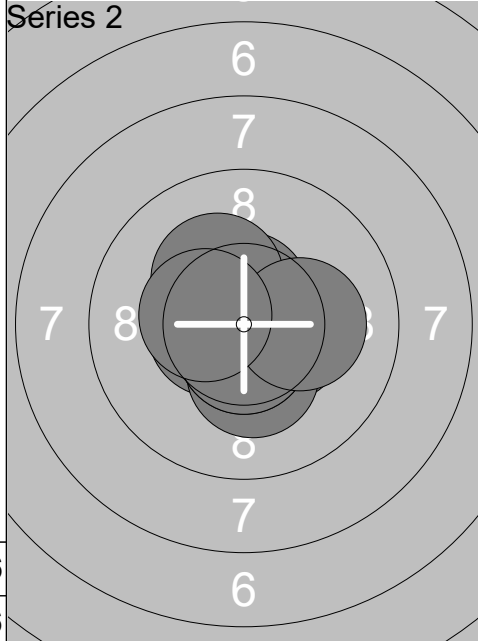
1:	10.6x	↘
2:	10.7x	↖
3:	9.9	↗
4:	10.5x	↗
5:	10.0	↗
6:	10.0	↗
7:	10.3x	→
8:	10.2x	↘
9:	10.6x	↗
10:	10.0	↗
Series		102.8
		507.6



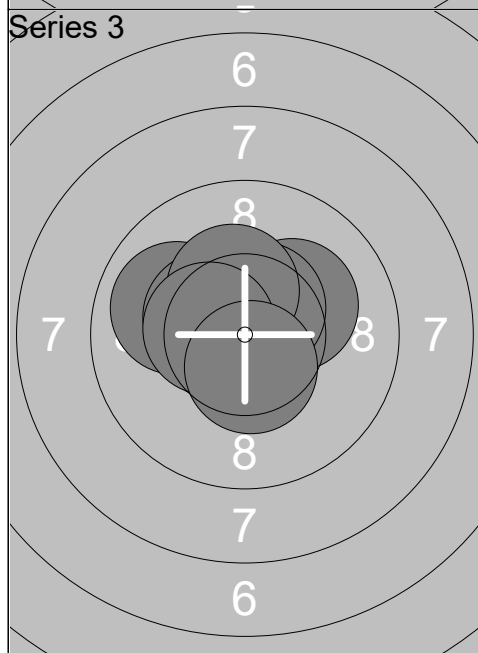
1:	10.1	↙
2:	10.2x	↘
3:	10.4x	↘
4:	10.6x	↗
5:	9.4	↙
6:	10.5x	↘
7:	10.6x	←
8:	10.6x	←
9:	10.6x	↗
10:	10.8x	←
Series		103.8
		611.4



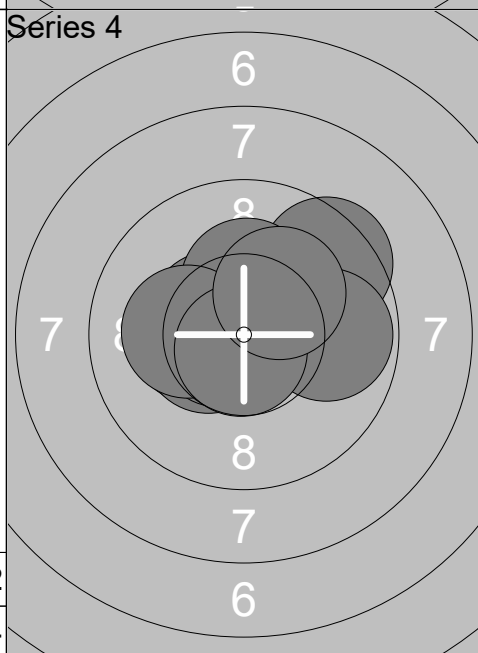
1:	10.6x	←
2:	10.6x	↙
3:	10.6x	↘
4:	10.8x	↓
5:	10.9x	↑
6:	10.6x	↑
7:	10.3x	→
8:	9.7	↖
9:	9.9	↑
10:	10.6x	↙
Series	104.6	
	104.6	



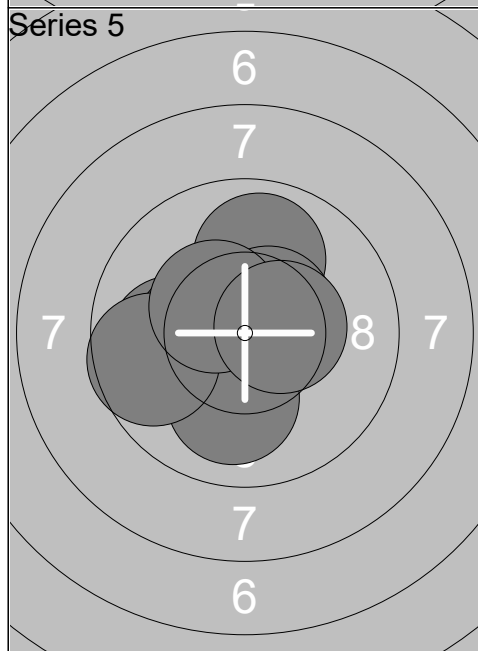
1:	10.4x	→
2:	10.5x	←
3:	10.6x	↑
4:	10.3x	↓
5:	10.6x	↓
6:	10.8x	↙
7:	10.2x	↖
8:	10.6x	↓
9:	10.2x	→
10:	10.4x	←
Series	104.6	
	209.2	



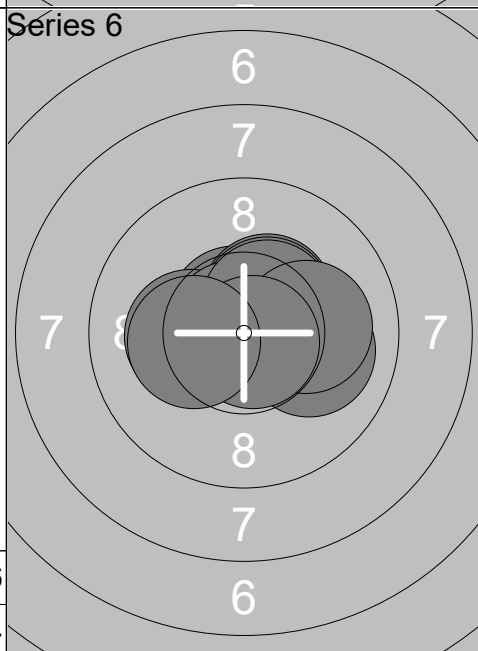
1:	10.9x	↑
2:	10.6x	←
3:	10.2x	↗
4:	10.4x	↑
5:	9.9	↖
6:	10.4x	↖
7:	10.5x	↗
8:	10.3x	↑
9:	10.5x	←
10:	10.5x	↓
Series	104.2	
	313.4	



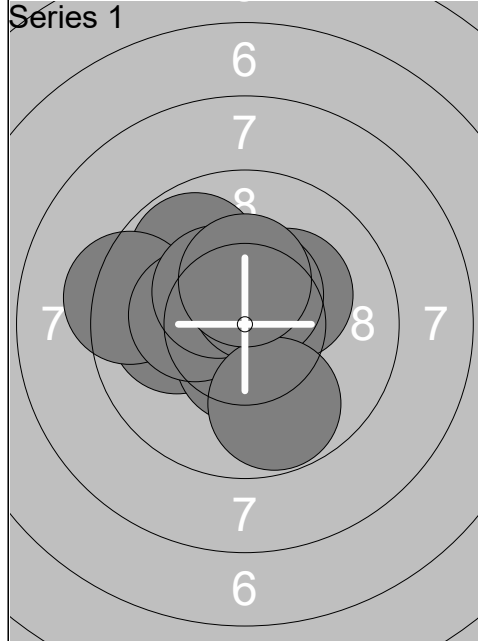
1:	9.4	↗
2:	10.3x	←
3:	10.4x	←
4:	10.6x	←
5:	10.5x	↖
6:	10.3x	↑
7:	10.2x	←
8:	9.8	→
9:	10.7x	↓
10:	10.2x	↗
Series	102.4	
	415.8	



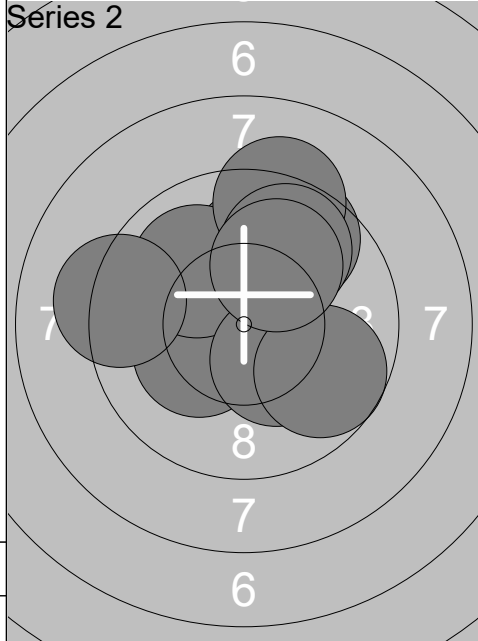
1:	9.9	↑
2:	10.0	←
3:	10.8x	→
4:	10.3x	←
5:	10.7x	↓
6:	10.5x	↗
7:	10.0	↓
8:	9.6	←
9:	10.4x	↖
10:	10.4x	→
Series	102.6	
	518.4	



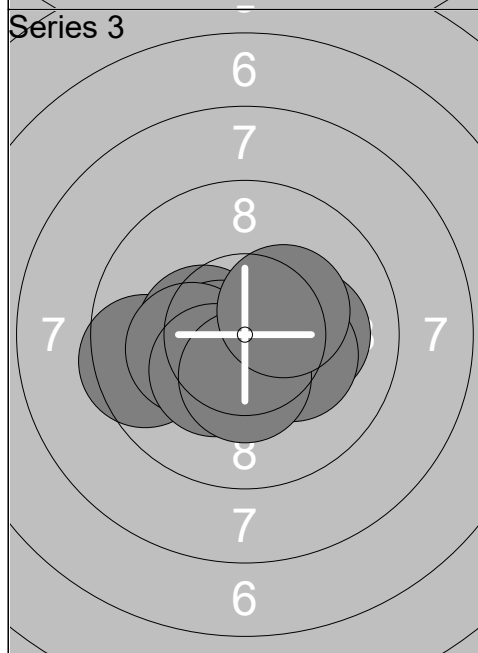
1:	10.6x	↖
2:	10.4x	↗
3:	10.4x	↗
4:	10.2x	←
5:	10.8x	↖
6:	10.4x	↗
7:	10.0	→
8:	10.1	→
9:	10.8x	↘
10:	10.2x	←
Series	103.9	
	622.3	



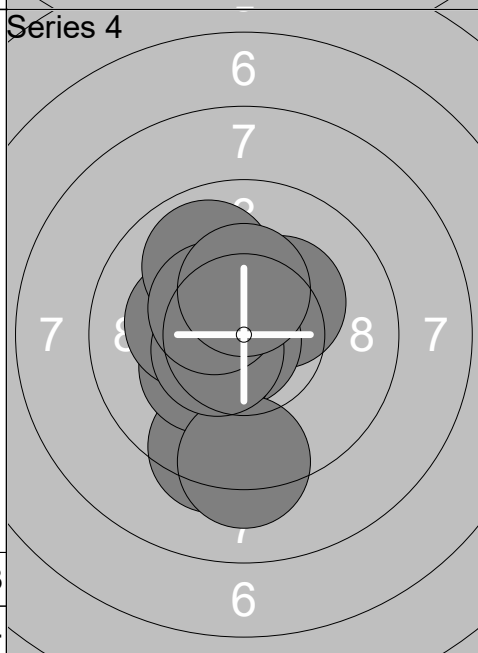
1:	9.8 ↖
2:	10.0 ←
3:	10.5x ↓
4:	9.3 ←
5:	10.3x ←
6:	10.3x ↖
7:	10.3x ↗
8:	10.5x ↗
9:	9.8 ↓
10:	10.3x ↑
Series	101.1
	101.1



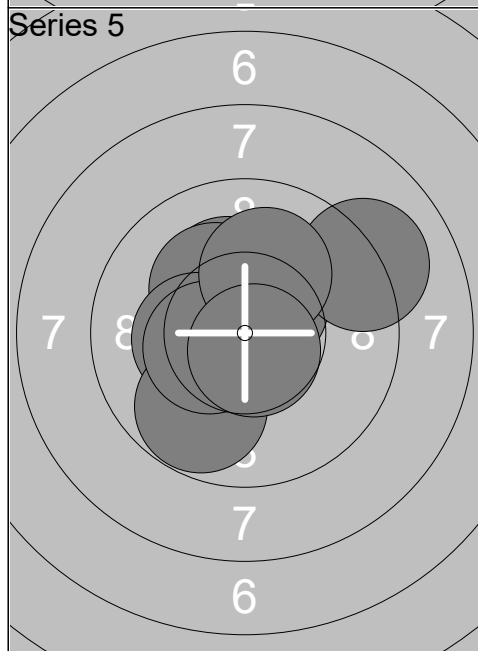
1:	10.0 ↑
2:	9.6 ↗
3:	10.2x ↙
4:	10.0 ↖
5:	10.3x ↘
6:	9.2 ↑
7:	9.2 ←
8:	9.8 ↗
9:	9.7 ↘
10:	10.0 ↑
Series	98.0
	199.1



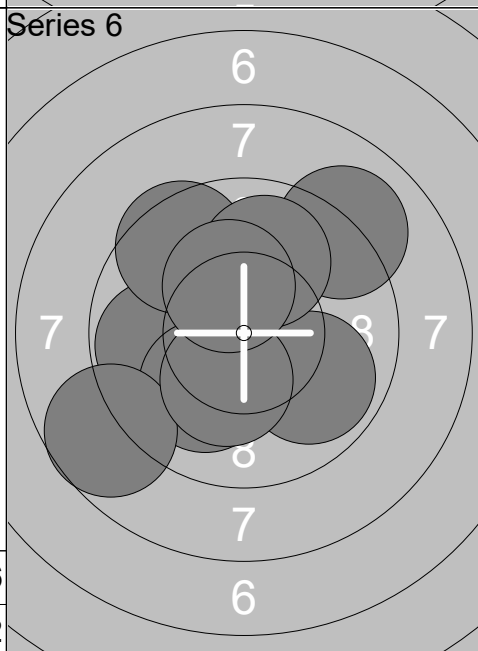
1:	9.5 ←
2:	10.2x ←
3:	10.2x →
4:	10.4x ←
5:	10.6x ↙
6:	10.2x ←
7:	10.2x →
8:	10.3x ↙
9:	10.4x ↓
10:	10.3x ↗
Series	102.3
	301.4



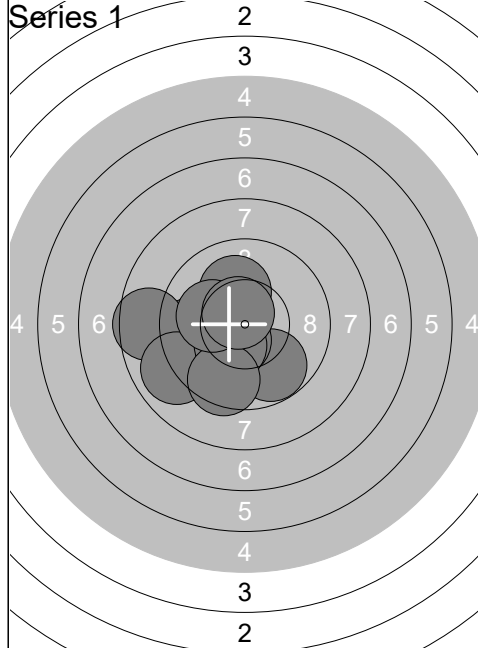
1:	9.4 ↓
2:	10.3x ↗
3:	10.8x ↙
4:	10.2x ↙
5:	10.2x ←
6:	9.9 ↖
7:	9.2 ↓
8:	10.5x ↙
9:	10.4x ↖
10:	10.3x ↑
Series	101.2
	402.6



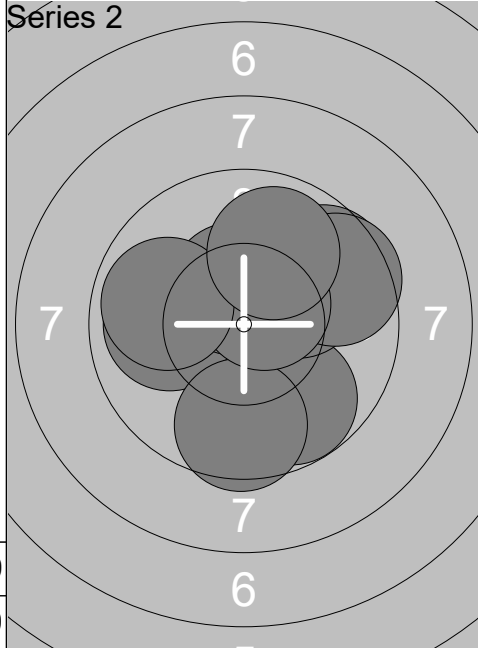
1:	10.4x ↗
2:	10.2x ↖
3:	9.1 ↗
4:	10.4x ↙
5:	10.2x ↖
6:	10.3x ←
7:	9.8 ↓
8:	10.4x ←
9:	10.1 ↑
10:	10.7x ↘
Series	101.6
	504.2



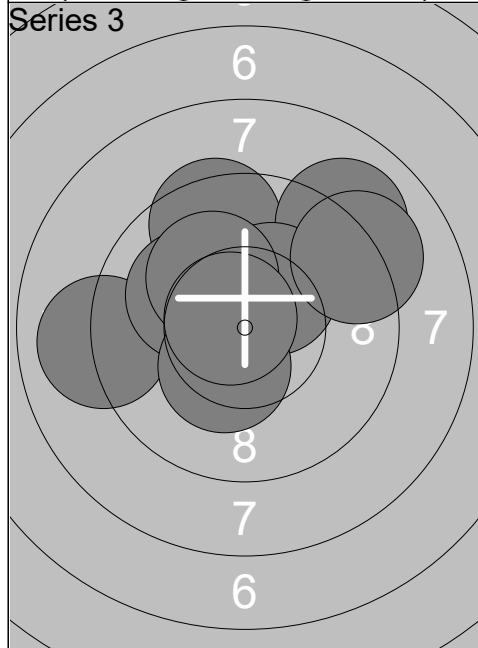
1:	10.5x ←
2:	9.9 ↘
3:	9.0 ↗
4:	9.8 ←
5:	10.0 ↘
6:	8.7 ↙
7:	10.2x ↓
8:	9.5 ↖
9:	9.9 ↑
10:	10.3x ↑
Series	97.8
	602.0



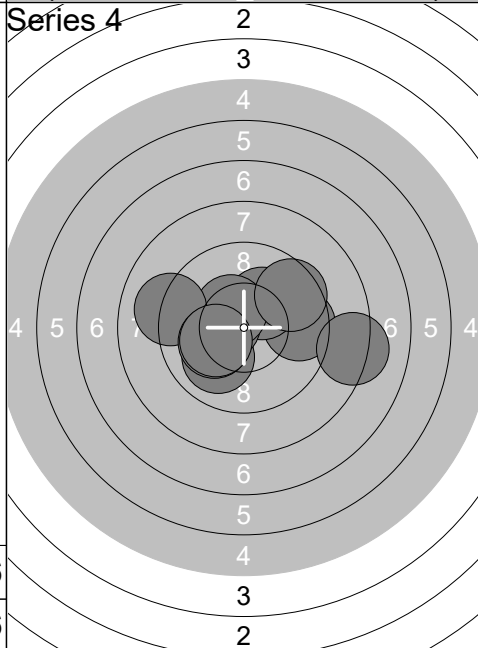
1: 9.6 ←
2: 9.7 ↘
3: 8.6 ←
4: 10.5x ↘
5: 8.9 ←
6: 10.3x ↘
7: 10.1 ↑
8: 9.5 ↘
9: 10.1 ←
10: 10.6x ↘
Series 97.9
97.9



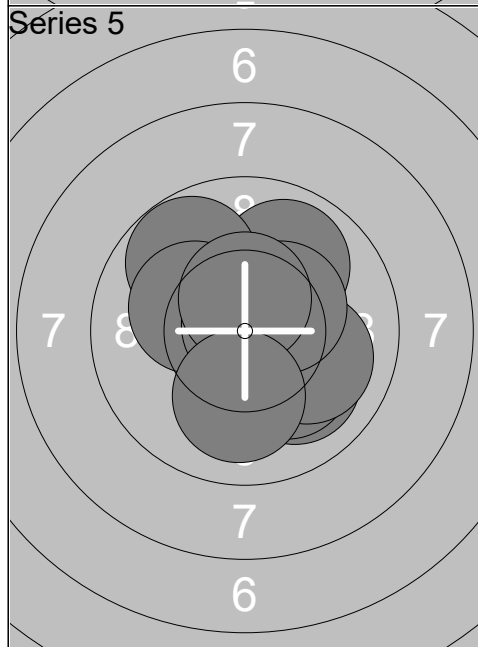
1: 9.9 ←
2: 10.4x ↑
3: 9.7 ↘
4: 9.6 ↓
5: 9.6 ↗
6: 10.1 ↗
7: 9.5 ↗
8: 10.5x ↗
9: 9.9 ←
10: 9.9 ↑
Series 99.1
197.0



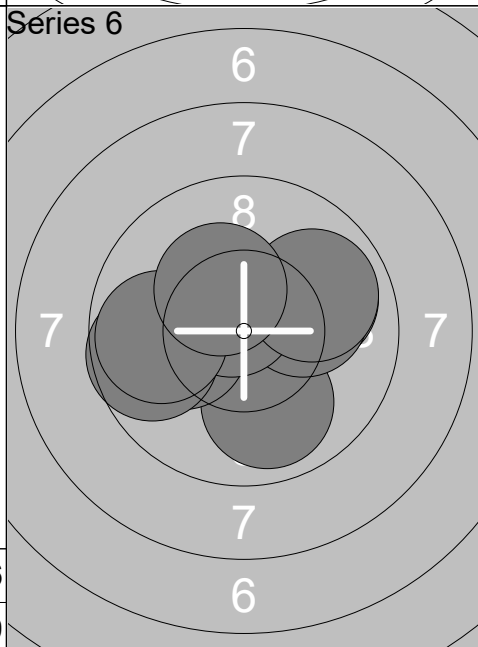
1: 9.5 ↑
2: 9.0 ↗
3: 10.5x ↗
4: 9.0 ←
5: 10.3x ↗
6: 10.1 ←
7: 10.3x ↘
8: 10.1 ↑
9: 10.7x ↖
10: 9.1 ↗
Series 98.6
295.6



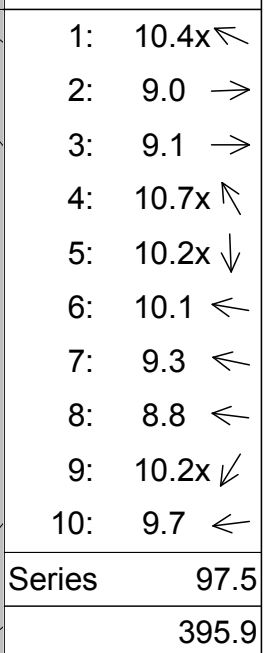
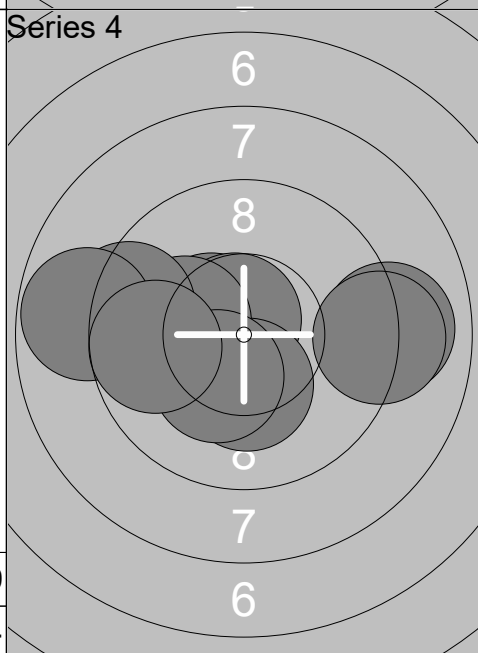
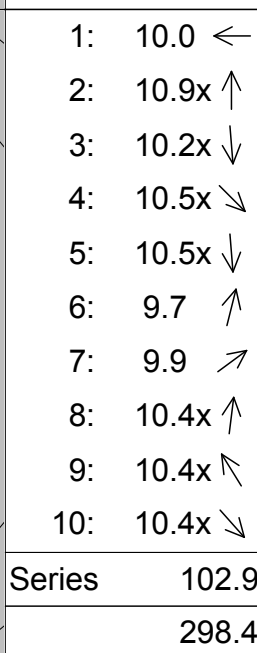
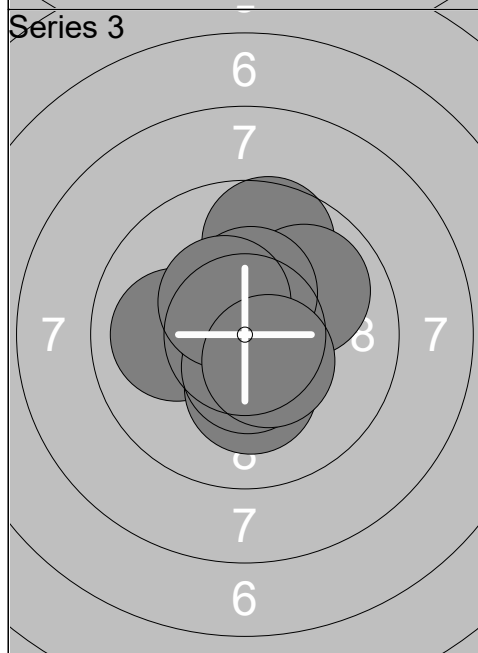
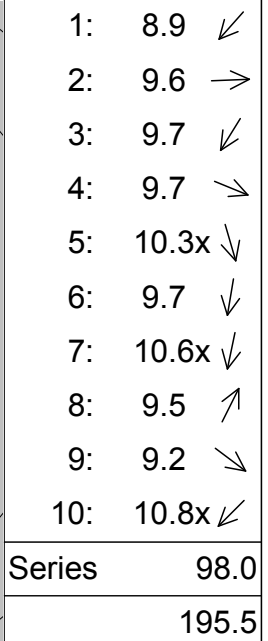
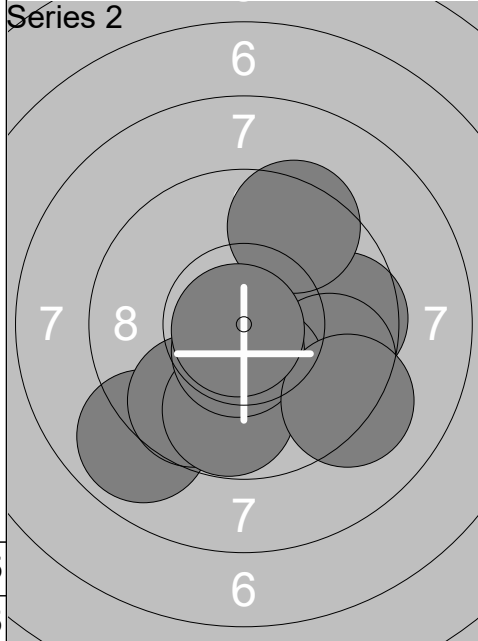
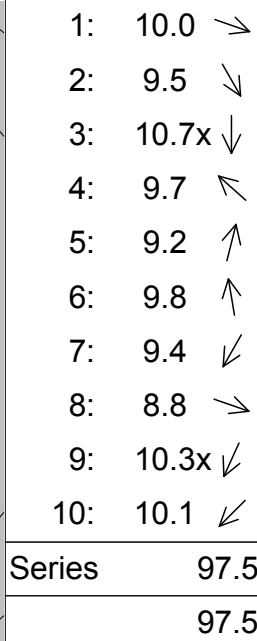
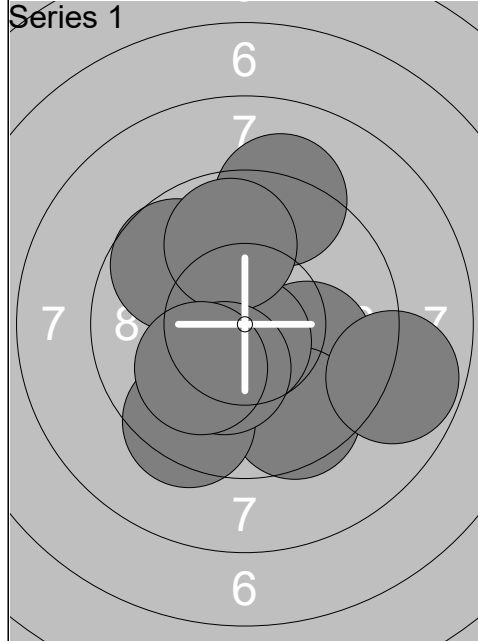
1: 10.0 ↘
2: 9.6 →
3: 8.2 →
4: 10.2x ↗
5: 10.4x ←
6: 10.4x ↘
7: 9.5 ↗
8: 9.1 ←
9: 10.1 ←
10: 10.2x ↖
Series 97.7
393.3

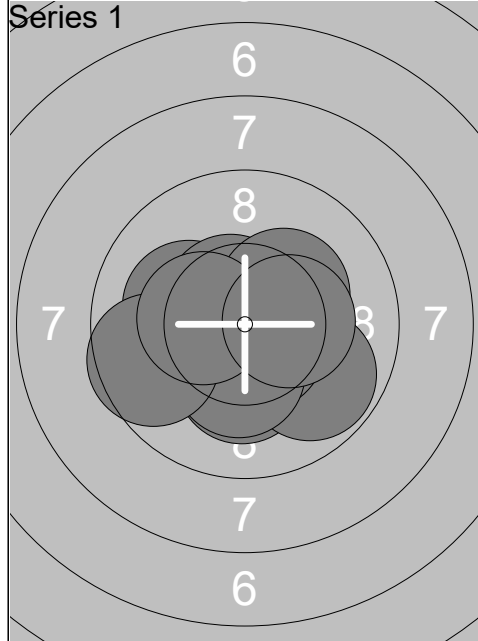


1: 9.9 ↗
2: 9.8 ↘
3: 10.0 ↘
4: 10.2x ↖
5: 10.1 ↘
6: 10.8x ↗
7: 10.0 →
8: 10.3x ↗
9: 10.5x ↑
10: 10.0 ↓
Series 101.6
494.9

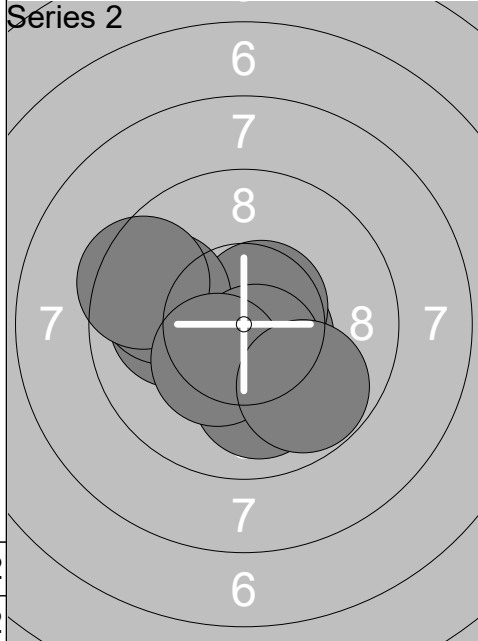


1: 9.9 ↗
2: 10.1 ←
3: 9.9 ↓
4: 10.1 ←
5: 10.1 ↗
6: 10.6x ↘
7: 9.9 ↗
8: 9.6 ←
9: 9.8 ←
10: 10.3x ↘
Series 100.3
595.2

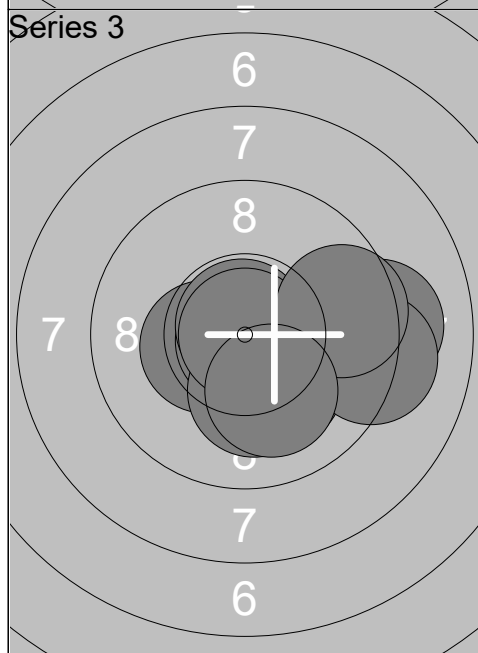




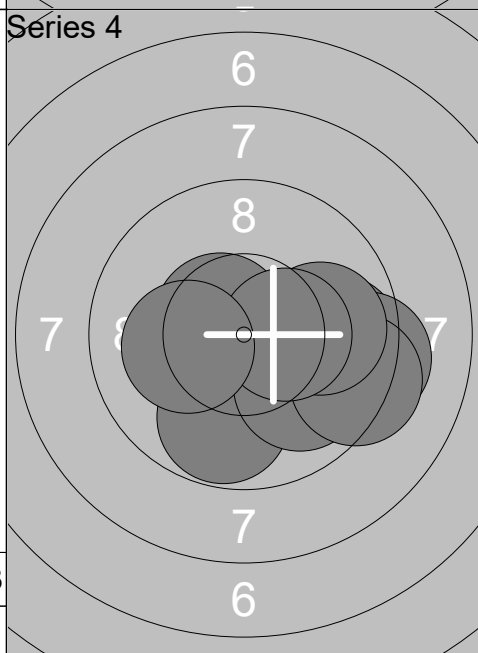
1:	10.2x ↓
2:	9.8 ↘
3:	10.1 ←
4:	10.6x ↘
5:	10.3x ↓
6:	10.6x ↗
7:	10.3x ↗
8:	9.6 ←
9:	10.4x ←
10:	10.3x →
Series	102.2
	102.2



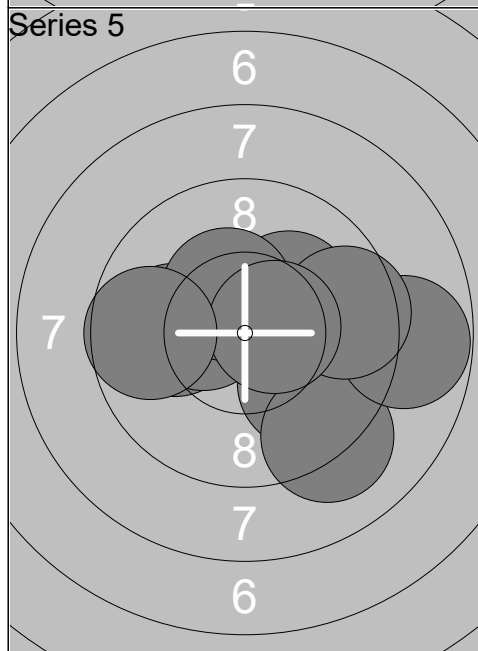
1:	10.6x ⇒
2:	10.0 ←
3:	10.0 ↓
4:	10.6x ↘
5:	10.6x ↗
6:	9.8 ←
7:	9.5 ←
8:	10.5x ↓
9:	10.3x ↘
10:	9.7 ↘
Series	101.6
	203.8



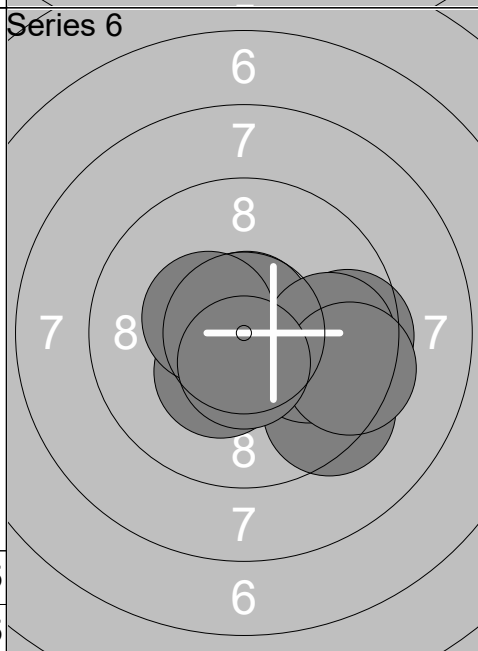
1:	10.4x ←
2:	10.8x ↘
3:	9.1 →
4:	10.2x ↘
5:	10.2x ↓
6:	9.2 ⇒
7:	10.8x ↗
8:	10.9x
9:	9.6 ⇒
10:	10.1 ↓
Series	101.3
	305.1



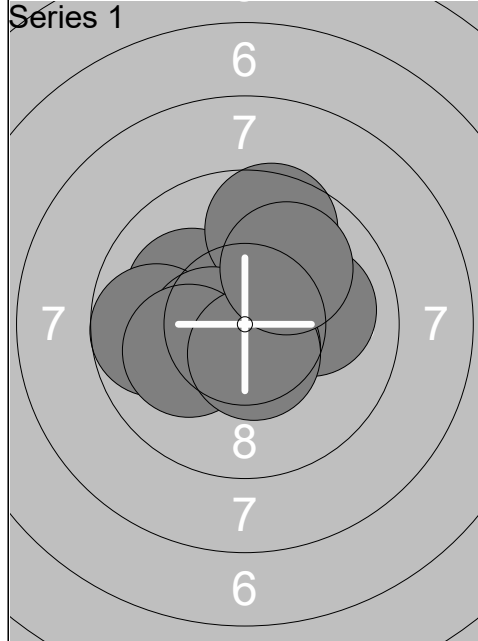
1:	10.8x ↓
2:	9.8 ↓
3:	9.9 ↘
4:	9.7 ⇒
5:	10.6x ↗
6:	9.3 ⇒
7:	9.3 ⇒
8:	9.9 →
9:	10.4x →
10:	10.2x ←
Series	99.9
	405.0



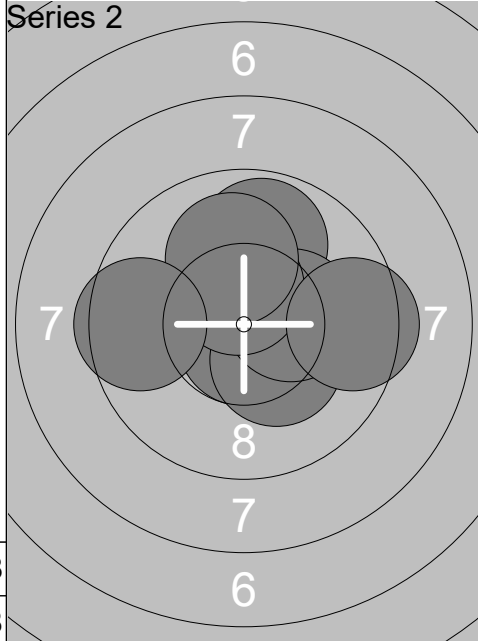
1:	9.9 ↘
2:	10.2x ↗
3:	9.1 ↘
4:	10.0 ←
5:	10.4x ←
6:	10.4x ↗
7:	8.8 →
8:	9.5 →
9:	10.5x →
10:	9.7 ←
Series	98.5
	503.5



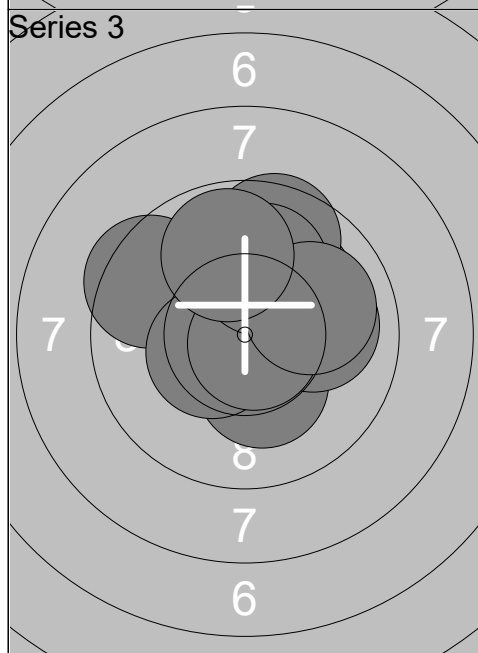
1:	10.8x ↗
2:	9.4 ↘
3:	10.7x ↗
4:	10.3x ↘
5:	10.0 ⇒
6:	9.5 →
7:	10.4x ←
8:	9.8 →
9:	9.4 ⇒
10:	10.5x ↓
Series	100.8
	604.3



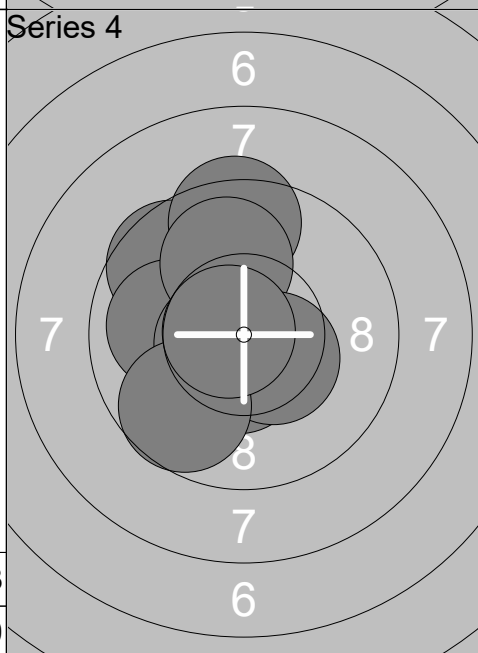
1:	10.0	→
2:	10.7x	↘
3:	10.1	↖
4:	9.7	←
5:	10.6x	↘
6:	9.6	↑
7:	10.5x	↙
8:	10.1	←
9:	10.5x	↘
10:	10.0	↗
Series	101.8	
	101.8	



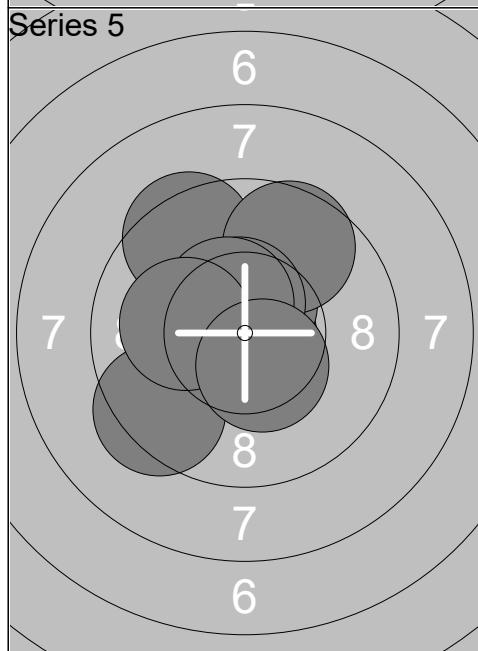
1:	10.7x	↓
2:	10.4x	→
3:	10.1	↑
4:	9.8	↑
5:	10.3x	↘
6:	10.3x	→
7:	10.4x	↑
8:	10.0	↑
9:	9.4	→
10:	9.5	←
Series	100.9	
	202.7	



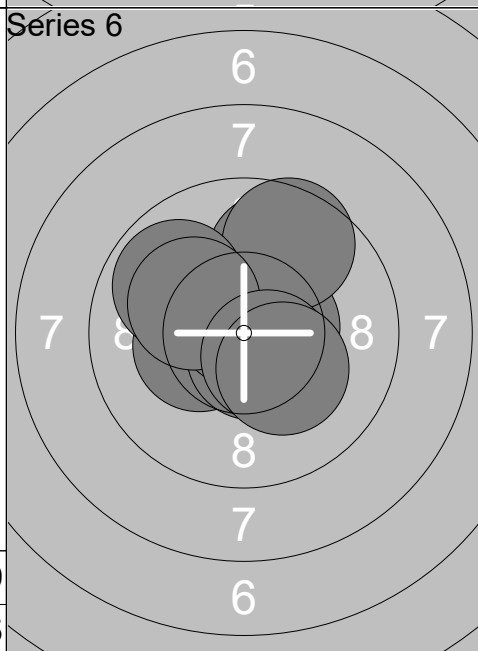
1:	10.2x	↘
2:	9.5	↖
3:	10.0	→
4:	10.1	↗
5:	9.6	↑
6:	10.4x	↙
7:	10.7x	↘
8:	10.0	↑
9:	10.0	→
10:	9.8	↑
Series	100.3	
	303.0	



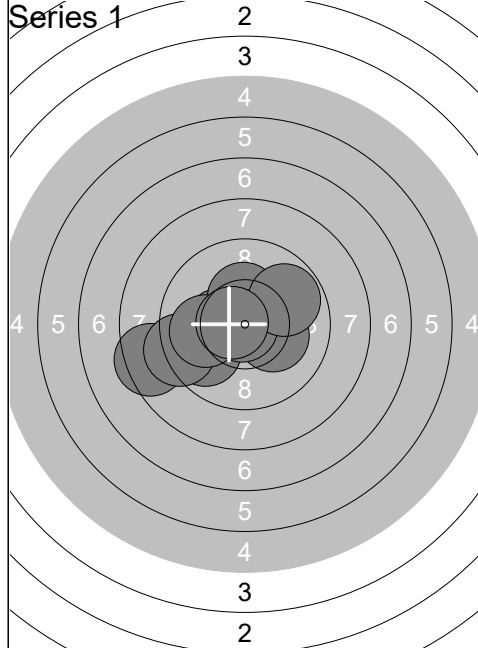
1:	9.8	↗
2:	9.6	↖
3:	10.0	←
4:	9.4	↑
5:	9.9	↑
6:	10.6x	↙
7:	10.5x	↘
8:	10.4x	↘
9:	9.7	↘
10:	10.7x	↙
Series	100.6	
	403.6	



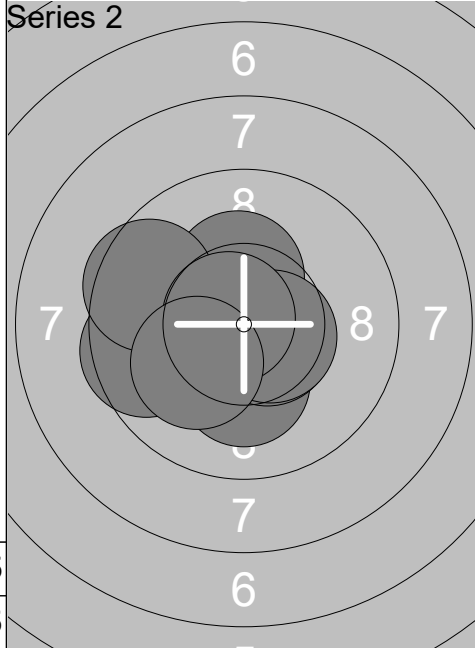
1:	10.8x	↘
2:	10.5x	↑
3:	9.4	↗
4:	10.8x	↖
5:	9.6	↗
6:	10.5x	↑
7:	9.4	↙
8:	10.4x	↖
9:	10.1	←
10:	10.4x	↘
Series	101.9	
	505.5	



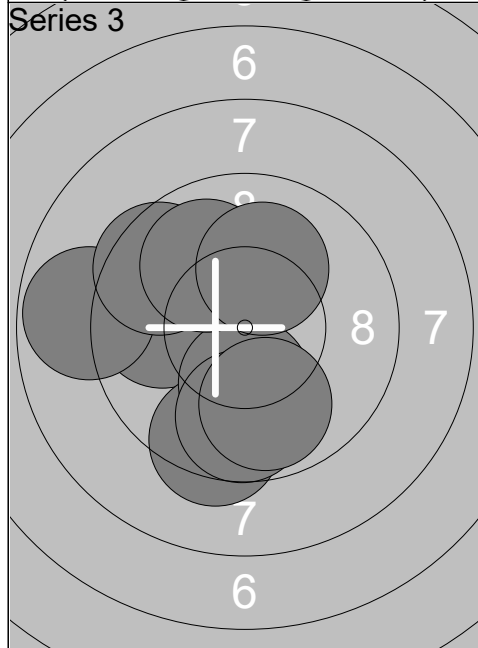
1:	10.3x	↙
2:	9.9	↗
3:	10.6x	↘
4:	10.8x	↑
5:	10.5x	→
6:	9.6	↗
7:	9.8	↖
8:	10.1	↖
9:	10.5x	↘
10:	10.2x	↘
Series	102.3	
	607.8	



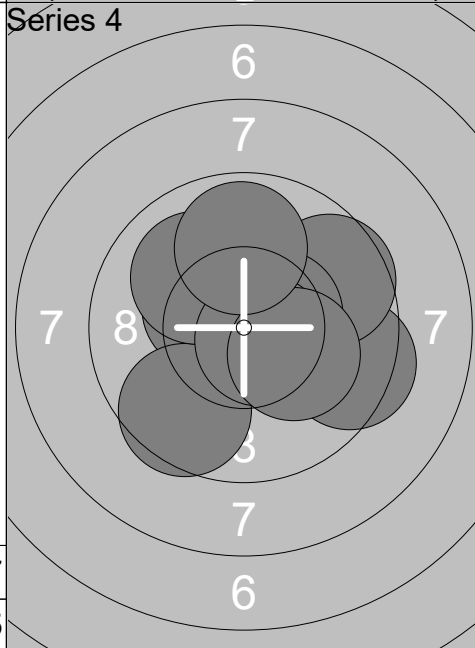
1: 10.3x ←
2: 8.4 ←
3: 10.2x →
4: 9.8 ↙
5: 10.3x ↑
6: 10.9x ↙
7: 9.2 ←
8: 9.8 ↗
9: 10.0 ←
10: 10.6x ↙
Series 99.5
99.5



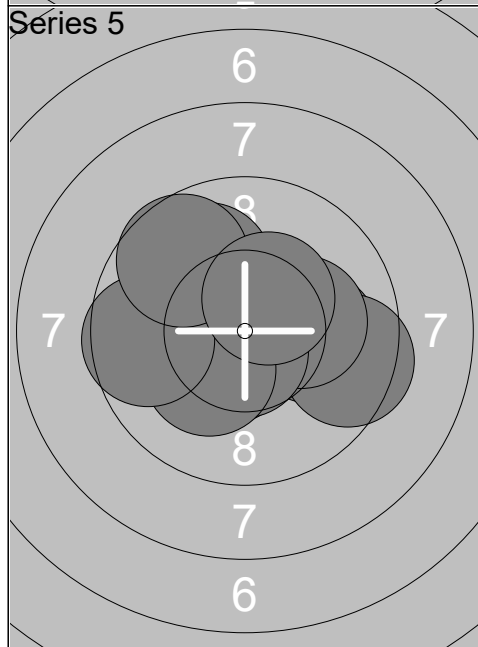
1: 10.2x ↓
2: 10.5x ↙
3: 10.3x ↙
4: 10.5x →
5: 9.6 ←
6: 10.3x ↑
7: 10.5x →
8: 9.6 ↙
9: 10.7x ↙
10: 10.1 ↙
Series 102.3
201.8



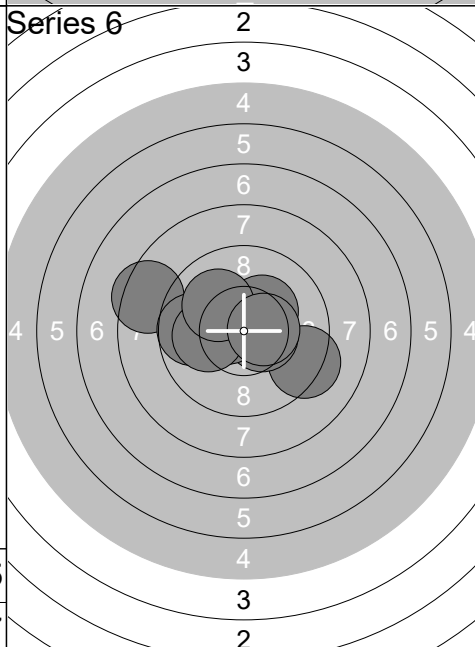
1: 10.5x ↘
2: 9.8 ←
3: 9.4 ↓
4: 10.2x ↓
5: 8.8 ←
6: 9.7 ↓
7: 9.5 ↗
8: 9.9 ↗
9: 9.8 ↓
10: 10.1 ↑
Series 97.7
299.5



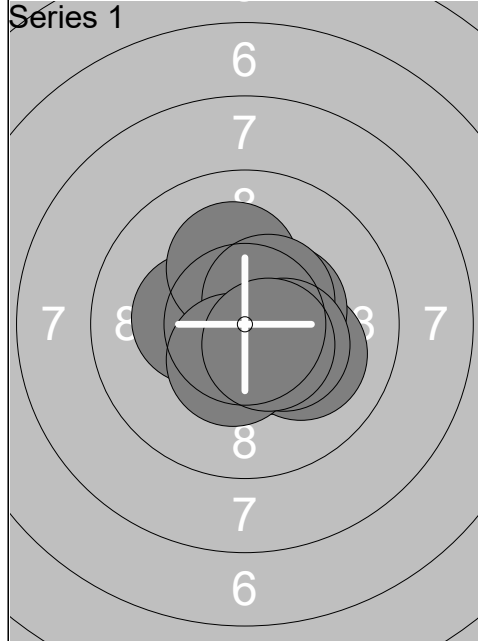
1: 10.7x ↙
2: 10.4x ↘
3: 9.4 →
4: 9.6 ↗
5: 10.5x →
6: 9.5 ↓
7: 10.0 ↗
8: 10.6x →
9: 10.2x →
10: 9.8 ↑
Series 100.7
400.2



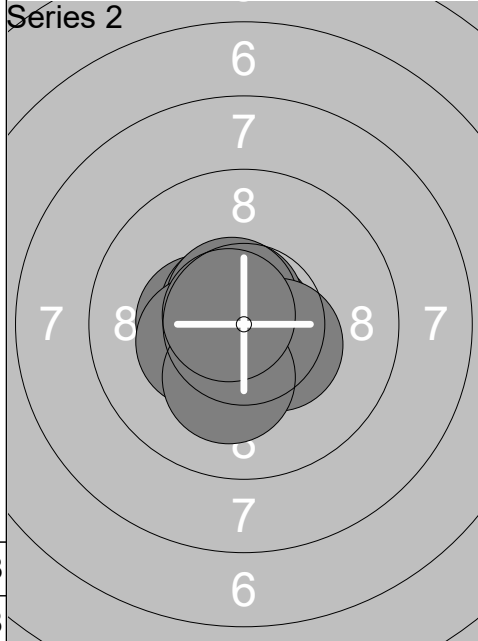
1: 10.0 →
2: 9.5 →
3: 10.5x ↙
4: 10.1 →
5: 10.7x ↓
6: 10.2x ↙
7: 9.9 ↗
8: 9.6 ←
9: 9.6 ↗
10: 10.4x ↗
Series 100.5
500.7



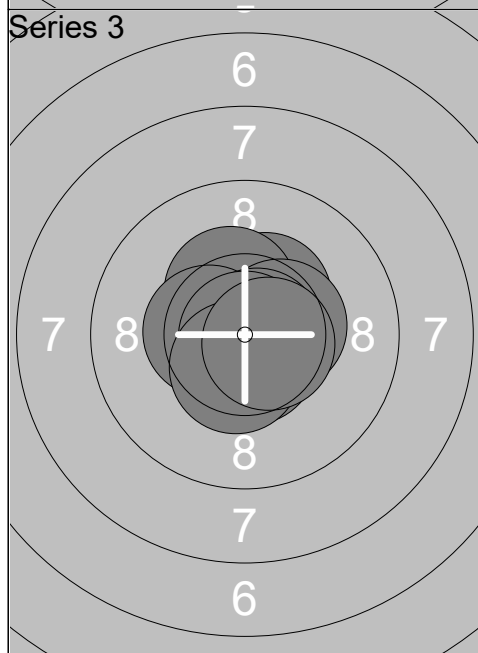
1: 9.3 →
2: 8.4 ←
3: 9.7 ←
4: 10.4x ↗
5: 10.5x →
6: 10.3x ↗
7: 10.5x ↙
8: 10.0 ←
9: 10.0 ↗
10: 10.5x →
Series 99.6
600.3



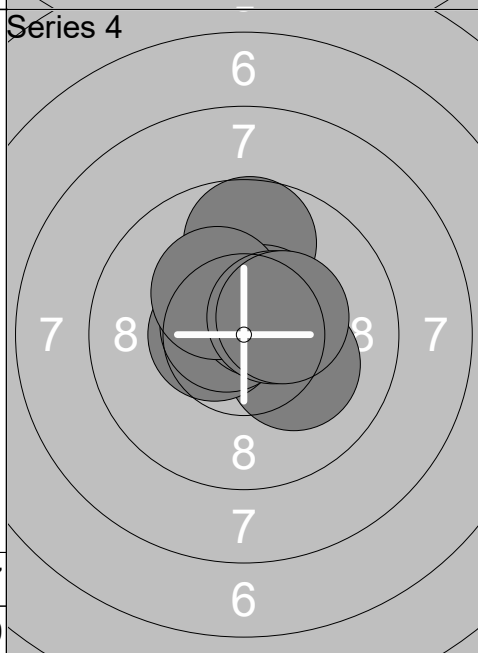
1:	10.3x	←
2:	10.5x	↘
3:	10.1	→
4:	10.6x	↗
5:	10.1	↑
6:	10.4x	→
7:	10.5x	↗
8:	10.4x	→
9:	10.4x	↓
10:	10.5x	↘
Series	103.8	
	103.8	



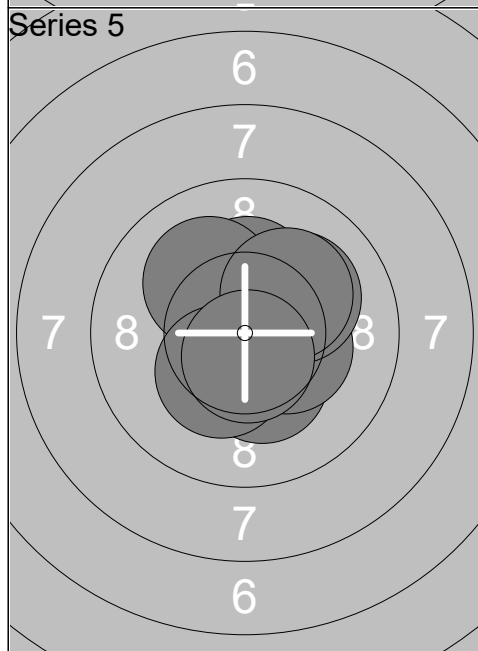
1:	10.4x	←
2:	10.8x	→
3:	10.6x	↖
4:	10.7x	↑
5:	10.6x	↖
6:	10.7x	↙
7:	10.4x	→
8:	10.3x	←
9:	10.2x	↓
10:	10.7x	↖
Series	105.4	
	209.2	



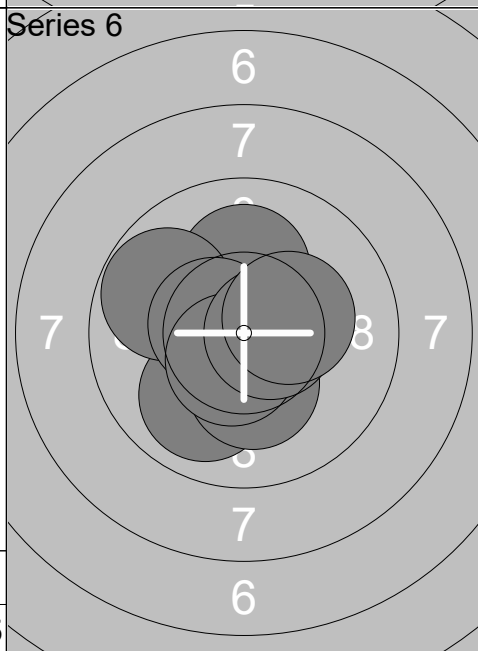
1:	10.4x	↗
2:	10.6x	↓
3:	10.7x	→
4:	10.3x	↖
5:	10.5x	←
6:	10.4x	→
7:	10.8x	→
8:	10.9x	↓
9:	10.5x	↓
10:	10.6x	→
Series	105.7	
	314.9	



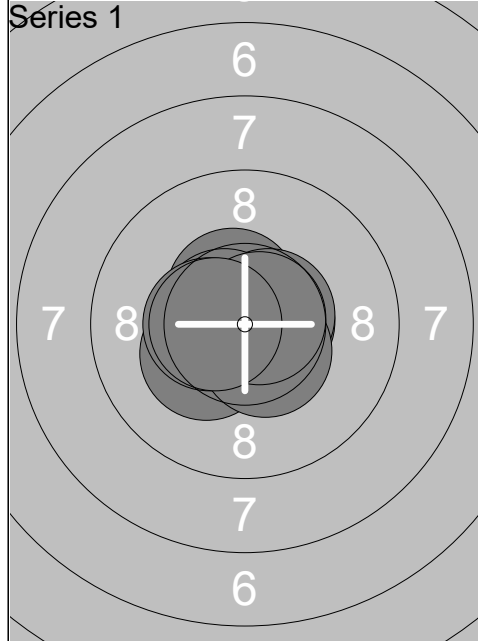
1:	10.3x	↑
2:	9.7	↑
3:	10.1	→
4:	10.6x	↖
5:	10.5x	←
6:	10.6x	↖
7:	10.5x	↗
8:	10.3x	↖
9:	10.5x	↗
10:	10.4x	→
Series	103.5	
	418.4	



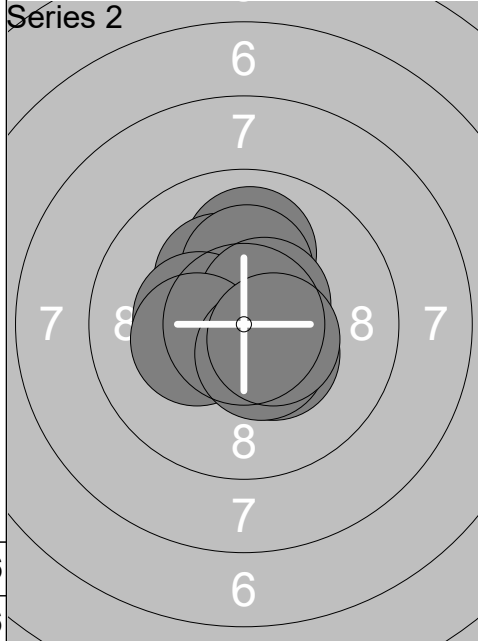
1:	10.3x	↓
2:	10.3x	→
3:	10.5x	↑
4:	10.5x	↑
5:	10.2x	↑
6:	10.1	↖
7:	10.1	↗
8:	10.2x	↗
9:	10.3x	↙
10:	10.6x	↓
Series	103.1	
	521.5	



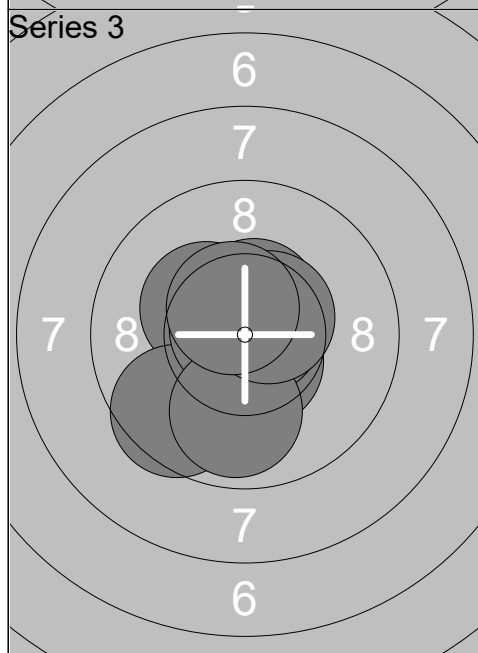
1:	10.1	↑
2:	9.9	↙
3:	10.2x	↓
4:	10.7x	↙
5:	10.8x	↘
6:	9.8	↖
7:	10.5x	←
8:	10.5x	↙
9:	10.6x	→
10:	10.3x	→
Series	103.4	
	624.9	



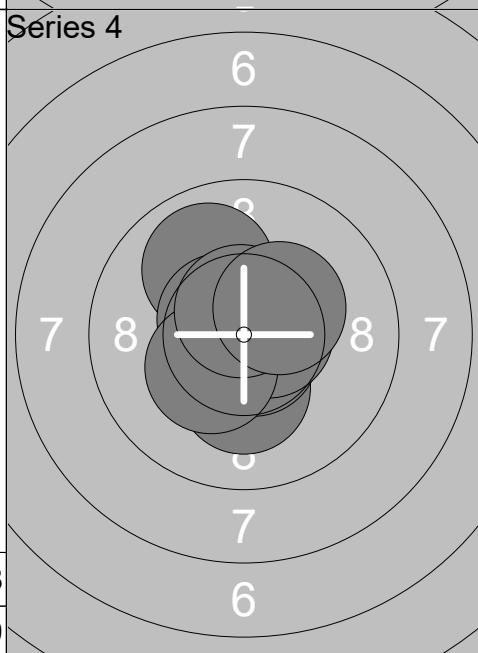
1:	10.6x →
2:	10.5x ↗
3:	10.3x ↙
4:	10.6x →
5:	10.8x ↘
6:	10.6x ↖
7:	10.5x ←
8:	10.5x ↘
9:	10.7x →
10:	10.5x ←
Series	105.6
	105.6



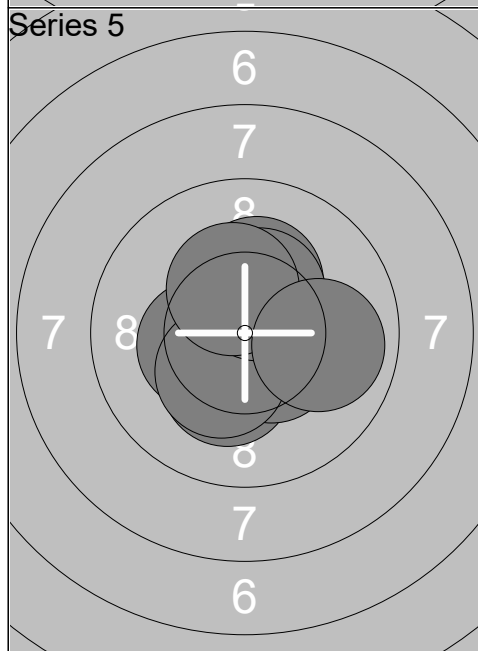
1:	10.7x ↘
2:	10.0 ↑
3:	10.2x ↖
4:	10.2x ↑
5:	10.4x ↘
6:	10.3x ←
7:	10.5x ↗
8:	10.3x ←
9:	10.4x ↘
10:	10.5x ↘
Series	103.5
	209.1



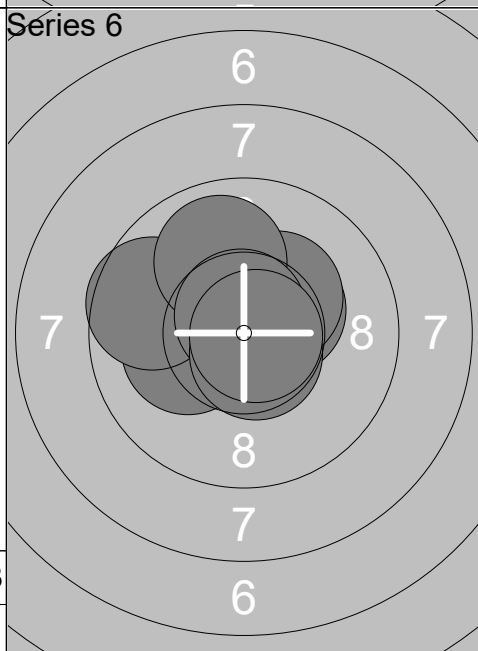
1:	10.6x ←
2:	10.3x ↖
3:	9.5 ↙
4:	10.5x ↘
5:	10.8x ↖
6:	10.7x →
7:	10.5x ↑
8:	9.9 ↓
9:	10.5x ↗
10:	10.5x ↖
Series	103.8
	312.9



1:	10.8x →
2:	10.9x ↑
3:	10.2x ↓
4:	10.7x ↘
5:	10.6x →
6:	9.9 ↗
7:	10.6x ↖
8:	10.3x ↙
9:	10.6x ↑
10:	10.3x ↗
Series	104.9
	417.8



1:	10.2x ↑
2:	10.6x →
3:	10.2x ↓
4:	10.4x ↘
5:	10.8x ↑
6:	10.3x ←
7:	10.3x ↙
8:	10.3x ↑
9:	10.3x ↑
10:	9.9 →
Series	103.3
	521.1



1:	10.3x ↗
2:	10.3x ↗
3:	10.9x ↓
4:	10.2x ←
5:	10.1 ↖
6:	9.6 ←
7:	9.9 ↑
8:	10.7x ↑
9:	10.6x ↘
10:	10.8x →
Series	103.4
	624.5

<p>Series 1</p>	<p>1: 10.7x ➤</p> <p>2: 10.3x ➔</p> <p>3: 10.6x ↗</p> <p>4: 10.0 ➔</p> <p>5: 9.2 ↗</p> <p>6: 10.1 ↓</p> <p>7: 9.3 ←</p> <p>8: 8.8 ←</p> <p>9: 9.9 ↗</p> <p>10: 10.2x ➔</p> <p>Series 99.1</p>	<p>Series 2</p>	<p>1: 10.7x ↗</p> <p>2: 9.7 ➔</p> <p>3: 9.0 ←</p> <p>4: 10.6x ↗</p> <p>5: 9.8 ↓</p> <p>6: 10.0 ←</p> <p>7: 10.0 ↗</p> <p>8: 9.0 ←</p> <p>9: 8.9 ←</p> <p>10: 9.3 ←</p> <p>Series 97.0</p>
99.1		196.1	

<p>Series 3</p>	<p>1: 10.0 ↗</p> <p>2: 10.0 ↗</p> <p>3: 10.1 ←</p> <p>4: 10.0 ➤</p> <p>5: 9.9 ↗</p> <p>6: 9.5 ↗</p> <p>7: 9.5 ←</p> <p>8: 8.4 ←</p> <p>9: 10.4x ↗</p> <p>10: 10.1 ↗</p> <p>Series 97.9</p>	<p>Series 4</p>	<p>1: 10.4x ➤</p> <p>2: 10.0 ➔</p> <p>3: 8.9 ➔</p> <p>4: 10.1 ↗</p> <p>5: 10.7x ➔</p> <p>6: 10.2x ➔</p> <p>7: 9.7 ↓</p> <p>8: 9.4 ←</p> <p>9: 10.5x ←</p> <p>10: 9.5 ➔</p> <p>Series 99.4</p>
294.0		393.4	

<p>Series 5</p>	<p>1: 10.4x ↗</p> <p>2: 10.0 ↓</p> <p>3: 9.6 ➤</p> <p>4: 9.4 ➤</p> <p>5: 10.9x ↗</p> <p>6: 9.2 ←</p> <p>7: 9.9 ➔</p> <p>8: 9.7 ➔</p> <p>9: 9.5 ➔</p> <p>10: 10.4x ↗</p> <p>Series 99.0</p>	<p>Series 6</p>	<p>1: 10.4x ➤</p> <p>2: 9.9 ↗</p> <p>3: 10.1 ↗</p> <p>4: 9.6 ↗</p> <p>5: 10.4x ↗</p> <p>6: 9.4 ↗</p> <p>7: 9.3 ➔</p> <p>8: 10.1 ↗</p> <p>9: 10.2x ←</p> <p>10: 10.1 ↗</p> <p>Series 99.5</p>
492.4		591.9	