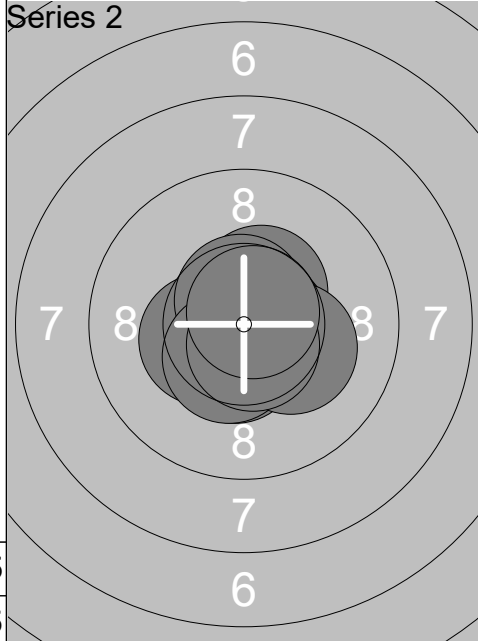
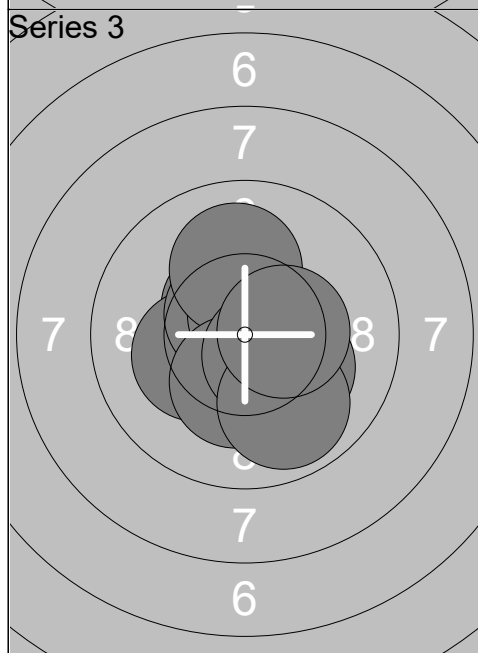


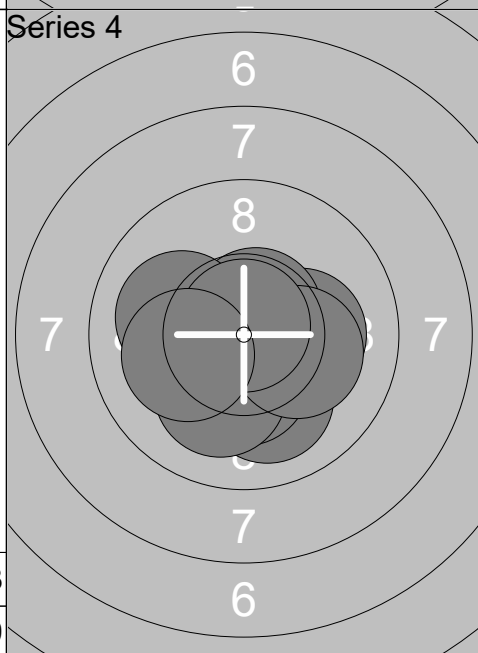
1:	10.2x	↑
2:	10.3x	↗
3:	10.6x	↗
4:	10.2x	↑
5:	10.7x	↗
6:	10.2x	↓
7:	10.7x	→
8:	10.3x	↓
9:	10.7x	↑
10:	10.6x	←
Series	104.5	
	104.5	



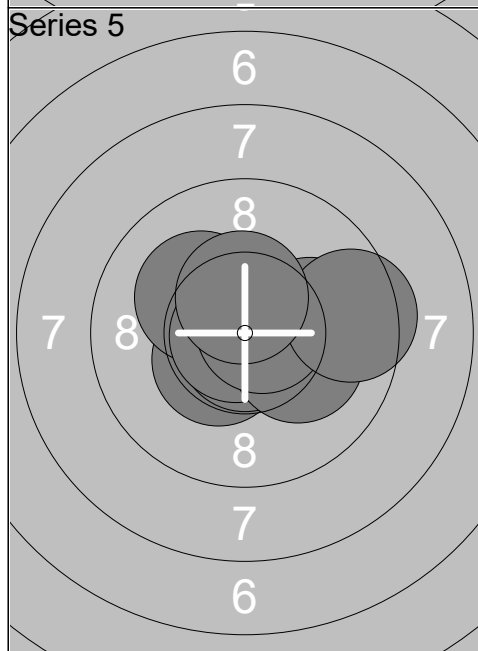
1:	10.4x	←
2:	10.7x	↗
3:	10.5x	↓
4:	10.4x	↑
5:	10.6x	↑
6:	10.4x	↓
7:	10.6x	→
8:	10.2x	⇒
9:	10.6x	↓
10:	10.7x	↗
Series	105.1	
	209.6	



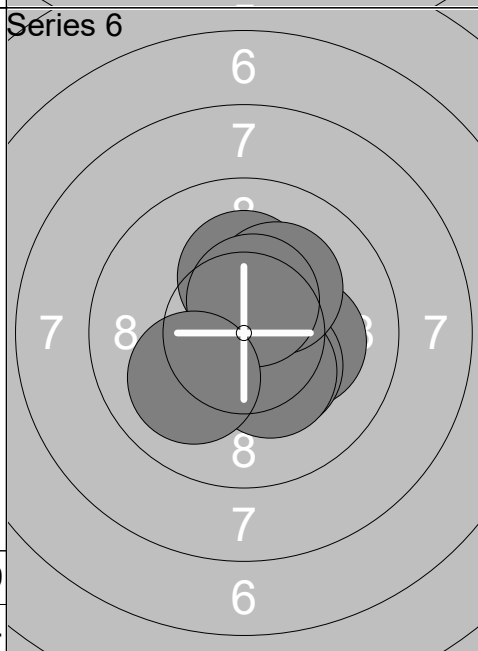
1:	10.5x	↘
2:	10.2x	←
3:	10.6x	↘
4:	10.6x	↑
5:	10.1	↑
6:	10.3x	↓
7:	10.2x	⇒
8:	10.5x	⇒
9:	9.9	↓
10:	10.4x	→
Series	103.3	
	312.9	



1:	10.2x	→
2:	10.0	↓
3:	10.6x	↗
4:	10.3x	↓
5:	10.2x	↙
6:	10.1	↓
7:	10.1	←
8:	10.2x	→
9:	10.8x	↑
10:	10.1	←
Series	102.6	
	415.5	

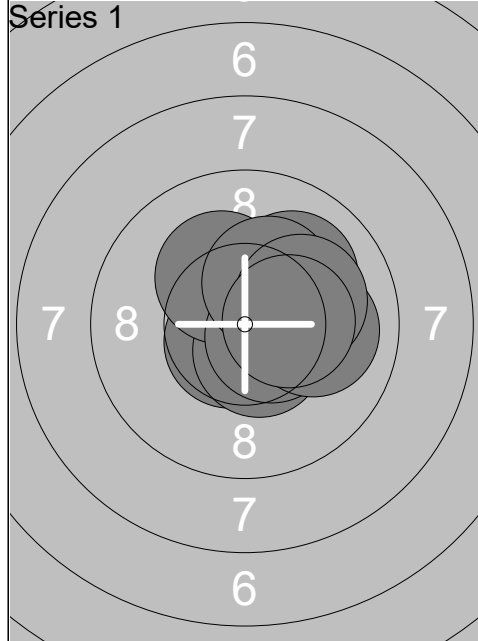


1:	10.4x	↙
2:	10.2x	↖
3:	10.9x	
4:	10.0	→
5:	10.8x	↓
6:	10.8x	←
7:	10.1	⇒
8:	10.7x	→
9:	9.5	→
10:	10.5x	↑
Series	103.9	
	519.4	

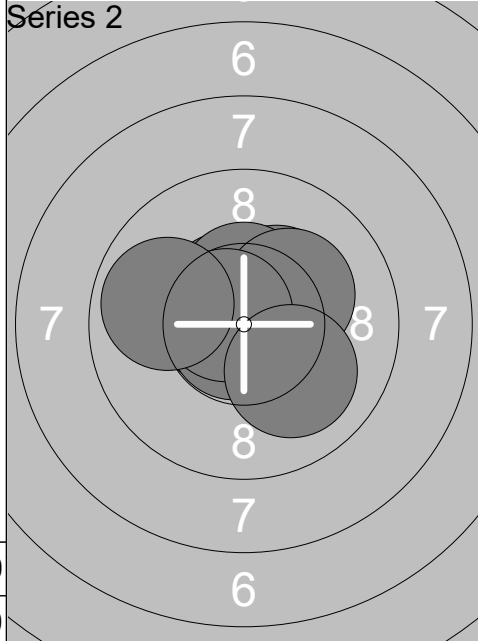


1:	10.5x	→
2:	10.6x	↗
3:	10.1	→
4:	10.2x	↑
5:	10.7x	↓
6:	10.3x	⇒
7:	10.3x	⇒
8:	10.2x	↗
9:	10.5x	↑
10:	10.0	↙
Series	103.4	
	622.8	

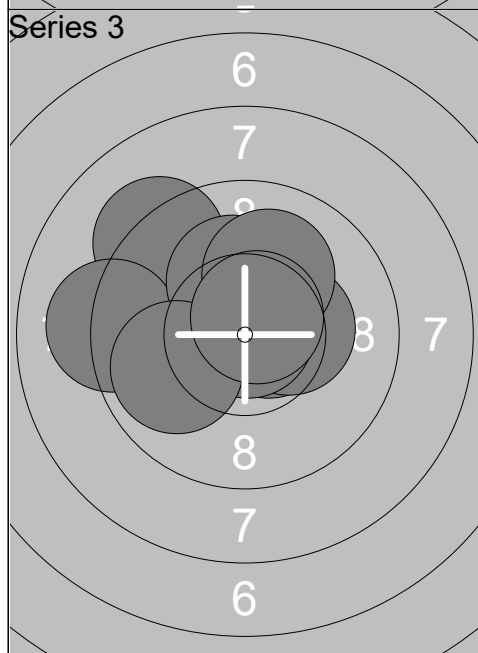
Relay	Lane	Anders Henricsson			
3	2	SWE		M	Rifle
17.02.2023		DENMARK OPEN AIR 2023 DAY1		Danmark Open Air 2023	
Series 1 	1: 10.6x ←	Series 2 	1: 9.8 ↑		
	2: 9.5 ↑		2: 9.4 →		
	3: 10.3x ↗		3: 10.2x ←		
	4: 9.9 ↑		4: 10.0 ↓		
	5: 10.5x ↘		5: 10.4x ←		
	6: 10.1 ↑		6: 9.3 →		
	7: 10.5x ↙		7: 10.8x ↗		
	8: 9.8 ↗		8: 10.9x		
	9: 10.5x ↗		9: 10.3x ←		
	10: 10.4x ↓		10: 10.5x ↗		
	Series 102.1		Series 101.6		
	102.1		203.7		
Series 3 	1: 10.8x →	Series 4 	1: 10.5x ↗		
	2: 9.6 ←		2: 9.8 ←		
	3: 9.9 →		3: 10.5x ↗		
	4: 9.2 ←		4: 9.7 ←		
	5: 10.1 ↗		5: 10.4x ←		
	6: 9.5 ↗		6: 9.8 ↗		
	7: 9.9 ↓		7: 10.2x →		
	8: 10.2x ↓		8: 10.5x ↓		
	9: 10.3x ←		9: 10.6x ↙		
	10: 9.3 ←		10: 10.4x ↓		
	Series 98.8		Series 102.4		
	302.5		404.9		
Series 5 	1: 10.1 ↓	Series 6 	1: 10.3x ↗		
	2: 10.5x ↙		2: 9.7 ↓		
	3: 10.0 ↓		3: 10.4x ←		
	4: 10.6x ↘		4: 10.5x →		
	5: 10.4x ↓		5: 9.8 →		
	6: 10.1 ↗		6: 10.0 ↗		
	7: 10.5x ↗		7: 10.1 ↗		
	8: 10.4x ↗		8: 10.2x ←		
	9: 10.2x ↑		9: 10.3x ←		
	10: 10.1 ↑		10: 10.4x ↓		
	Series 102.9		Series 101.7		
	507.8		609.5		



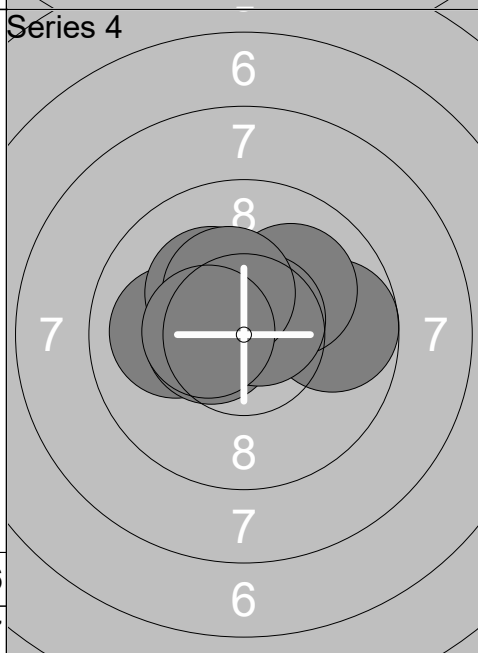
1:	10.6x ↙
2:	10.5x ↘
3:	10.5x ↘
4:	10.2x ↗
5:	10.5x ↘
6:	10.0 ↗
7:	10.3x ↗
8:	10.0 →
9:	10.1 ↗
10:	10.3x →
Series	103.0
	103.0



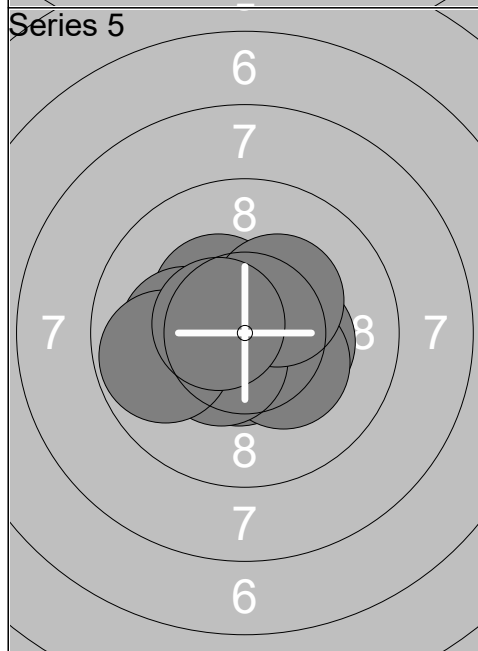
1:	10.6x ←
2:	10.3x ↗
3:	10.8x ↙
4:	10.5x ↖
5:	10.7x →
6:	10.5x ↑
7:	10.2x ↗
8:	10.7x ↖
9:	9.8 ←
10:	10.0 ↘
Series	104.1
	207.1



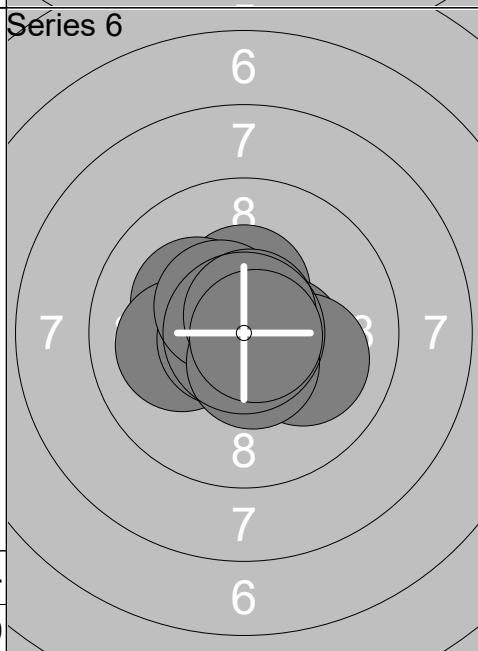
1:	10.7x ↗
2:	10.6x →
3:	10.3x →
4:	10.9x ↗
5:	9.2 ↖
6:	9.1 ←
7:	10.2x ↑
8:	10.1 ↑
9:	9.9 ←
10:	10.6x ↗
Series	101.6
	308.7



1:	9.7 →
2:	10.5x ↑
3:	10.0 ←
4:	10.0 ↗
5:	10.2x ↖
6:	10.6x ↖
7:	10.5x ←
8:	10.6x ↗
9:	10.3x ↑
10:	10.4x ←
Series	102.8
	411.5



1:	10.3x →
2:	10.4x ↖
3:	10.5x ↘
4:	10.1 ←
5:	10.8x ↑
6:	10.3x ↘
7:	10.4x ↙
8:	9.8 ←
9:	10.3x ↗
10:	10.5x ←
Series	103.4
	514.9

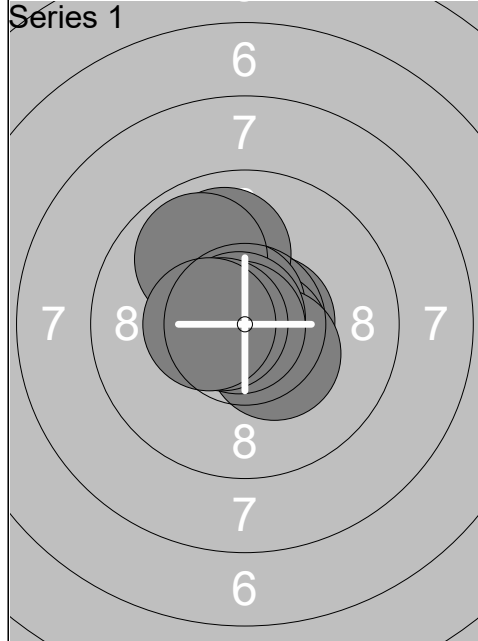


1:	10.4x ↑
2:	10.2x ↖
3:	10.1 ←
4:	10.6x ←
5:	10.4x →
6:	10.1 →
7:	10.4x ↖
8:	10.5x ↘
9:	10.7x ↑
10:	10.8x →
Series	104.2
	619.1

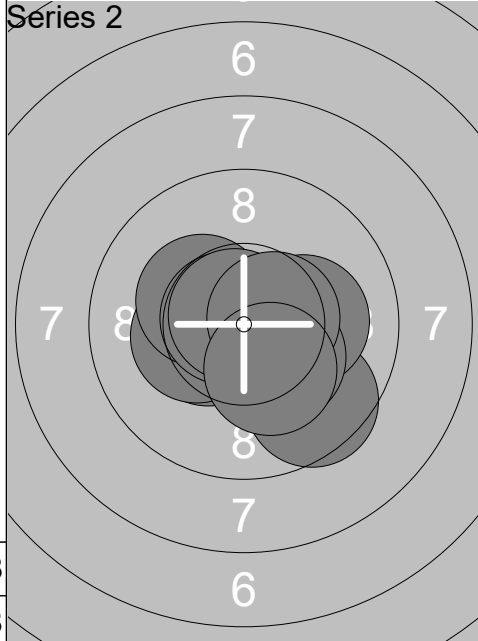
Relay	Lane	Jan Winther									
3	5	1 Air Qualification		DEN	M	Rifle					
17.02.2023		DENMARK OPEN AIR 2023 DAY1		Danmark Open Air 2023							
Series 1				1: 10.4x ↗ 2: 9.8 ← 3: 10.6x ↖ 4: 9.7 ↘ 5: 10.5x ← 6: 10.3x ↘ 7: 10.6x → 8: 10.3x ← 9: 10.2x ↘ 10: 10.2x →		Series 2				1: 10.5x ↗ 2: 10.3x ↖ 3: 9.9 ↘ 4: 10.6x ↖ 5: 10.8x ← 6: 10.7x ↘ 7: 10.5x → 8: 10.7x ↘ 9: 10.4x ↘ 10: 9.8 ←	
		Series 102.6		Series 104.2							
		102.6		206.8							
Series 3				1: 10.0 ↗ 2: 9.6 ↘ 3: 10.4x ↖ 4: 10.6x ← 5: 10.5x ↗ 6: 10.7x ↗ 7: 10.5x ↖ 8: 10.7x ↖ 9: 9.9 ↘ 10: 10.0 →		Series 4				1: 10.3x ↘ 2: 10.7x ↗ 3: 10.8x ↘ 4: 9.8 ← 5: 10.1 ↘ 6: 10.2x → 7: 10.2x ↖ 8: 10.4x ↖ 9: 10.0 → 10: 10.6x ↖	
		Series 102.9		Series 103.1							
		309.7		412.8							
Series 5				1: 10.3x ↘ 2: 10.5x ↘ 3: 10.7x ↖ 4: 9.6 ↗ 5: 10.4x ↖ 6: 10.4x ↗ 7: 10.7x ← 8: 10.5x ↘ 9: 9.6 ← 10: 10.3x ↖		Series 6				1: 10.4x → 2: 10.2x ↖ 3: 10.1 ↗ 4: 10.8x ← 5: 10.9x ↘ 6: 10.2x ← 7: 10.7x → 8: 10.3x ↗ 9: 10.3x ↘ 10: 10.2x →	
		Series 103.0		Series 104.1							
		515.8		619.9							

Relay	Lane	Henrik Strand		
3	6	DEN		M Rifle
17.02.2023		DENMARK OPEN AIR 2023 DAY1		Danmark Open Air 2023
Series 1 	1: 9.8 ↘	Series 2 	1: 9.7 ↓	
	2: 10.8x ↖		2: 10.0 ↑	
	3: 9.7 ←		3: 10.9x ↙	
4: 9.5 ←	4: 10.3x ↗	5: 10.3x ←	5: 10.3x ←	
5: 10.2x ↖	6: 10.3x ↓	6: 10.4x ←	6: 10.4x ←	
6: 10.3x ↓	7: 9.9 →	7: 10.0 ↓	7: 10.0 ↓	
7: 9.9 →	8: 10.1 ↗	8: 9.9 ↘	8: 9.9 ↘	
8: 10.1 ↗	9: 10.5x →	9: 9.4 ←	9: 9.4 ←	
9: 10.5x →	10: 10.2x ↓	10: 10.6x →	10: 10.6x →	
10: 10.2x ↓	Series 101.0	Series 101.5		
	101.0	202.5		
Series 3 	1: 10.4x ↘	Series 4 	1: 9.5 ↓	
	2: 10.0 ↗		2: 10.0 ↗	
	3: 10.2x ←		3: 9.2 ←	
4: 9.6 ←	4: 9.8 ↗	4: 9.8 ↗	4: 9.8 ↗	
5: 9.2 ←	5: 9.2 ←	5: 10.6x →	5: 10.6x →	
6: 9.3 ↑	6: 9.3 ↑	6: 9.8 ↙	6: 9.8 ↙	
7: 10.3x ←	7: 10.3x ←	7: 10.5x ↓	7: 10.5x ↓	
8: 10.4x ↗	8: 10.4x ↗	8: 9.8 ↓	8: 9.8 ↓	
9: 9.9 ←	9: 9.9 ←	9: 9.6 ↗	9: 9.6 ↗	
10: 10.0 ↓	10: 10.0 ↓	10: 9.3 ↓	10: 9.3 ↓	
Series 99.3	Series 98.1			
301.8	399.9			
Series 5 	1: 10.3x ↓	Series 6 	1: 9.3 ↘	
	2: 10.4x ↖		2: 9.9 ↑	
	3: 10.6x ←		3: 10.2x ↓	
4: 9.8 ↓	4: 9.8 ↓	4: 10.6x ↖	4: 10.6x ↖	
5: 10.2x ↑	5: 10.2x ↑	5: 9.7 ↘	5: 9.7 ↘	
6: 9.4 →	6: 9.4 →	6: 9.4 ↘	6: 9.4 ↘	
7: 10.8x →	7: 10.8x →	7: 10.2x →	7: 10.2x →	
8: 10.0 ↗	8: 10.0 ↗	8: 10.3x ↙	8: 10.3x ↙	
9: 10.5x ↑	9: 10.5x ↑	9: 10.6x ↓	9: 10.6x ↓	
10: 9.1 ↘	10: 9.1 ↘	10: 10.4x ↙	10: 10.4x ↙	
Series 101.1	Series 100.6			
501.0	601.6			

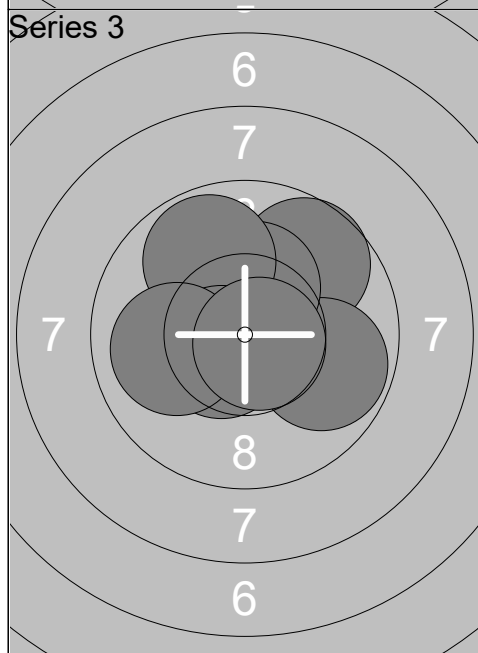
Relay	Lane	Emil Ala-Kulju			
3	7	1 Air Qualification	SWE	M	Rifle
17.02.2023		DENMARK OPEN AIR 2023 DAY1		Danmark Open Air 2023	
Series 1				1: 9.6 ↗ 2: 10.7x ↗ 3: 9.8 ↖ 4: 10.0 ← 5: 10.0 → 6: 9.4 ↗ 7: 10.1 ↗ 8: 9.9 ↑ 9: 10.3x ↖ 10: 9.9 ←	
		Series 99.7		Series 99.6	
		99.7		199.3	
Series 2				1: 9.8 ↖ 2: 10.0 ↘ 3: 9.7 ↗ 4: 9.2 ← 5: 9.6 ← 6: 10.6x ↑ 7: 9.5 ↘ 8: 10.7x ↗ 9: 10.4x ↑ 10: 10.1 ↑	
		Series 99.3		Series 98.2	
		298.6		396.8	
Series 3				1: 10.1 ← 2: 9.3 → 3: 8.9 ↑ 4: 9.9 → 5: 9.6 ↗ 6: 9.8 ↖ 7: 10.6x ← 8: 10.7x ↑ 9: 10.7x ↓ 10: 9.7 ↖	
		Series 95.8		Series 100.9	
		492.6		593.5	
Series 4				1: 9.3 ← 2: 9.6 ↖ 3: 8.8 → 4: 10.2x ↓ 5: 9.9 ↑ 6: 10.4x ← 7: 10.4x ↑ 8: 9.2 ↑ 9: 9.9 ↖ 10: 10.5x ←	
Series 5				1: 9.8 → 2: 10.2x ↓ 3: 9.4 ↗ 4: 10.5x ↖ 5: 10.5x ↘ 6: 10.5x → 7: 8.9 ↘ 8: 10.5x ↗ 9: 10.5x → 10: 10.1 ←	
		Series 95.8		Series 100.9	
		492.6		593.5	
Series 5				1: 7.9 → 2: 10.4x ↑ 3: 9.6 → 4: 9.8 ↑ 5: 10.0 ↘ 6: 10.5x ← 7: 9.9 ↗ 8: 8.3 ← 9: 9.2 → 10: 10.2x ←	
Series 6				1: 9.8 → 2: 10.2x ↓ 3: 9.4 ↗ 4: 10.5x ↖ 5: 10.5x ↘ 6: 10.5x → 7: 8.9 ↘ 8: 10.5x ↗ 9: 10.5x → 10: 10.1 ←	
		Series 95.8		Series 100.9	
		492.6		593.5	



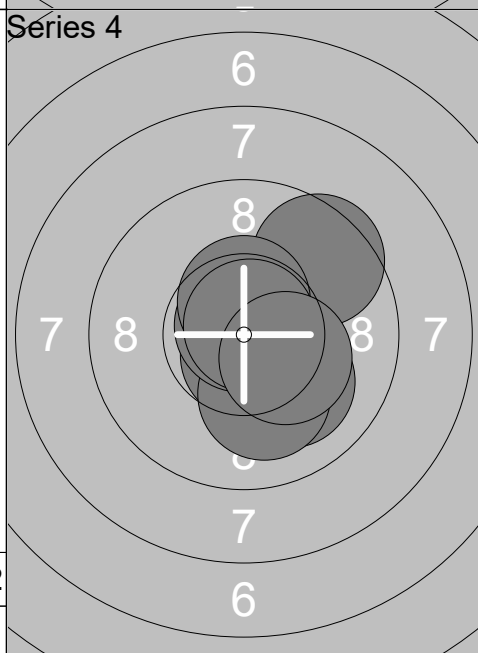
1:	10.6x →
2:	9.9 ↑
3:	10.6x ↘
4:	10.7x ↑
5:	9.9 ↑
6:	10.4x ↘
7:	10.8x ↗
8:	10.8x ↙
9:	10.6x ←
10:	10.5x ←
Series	104.8
	104.8



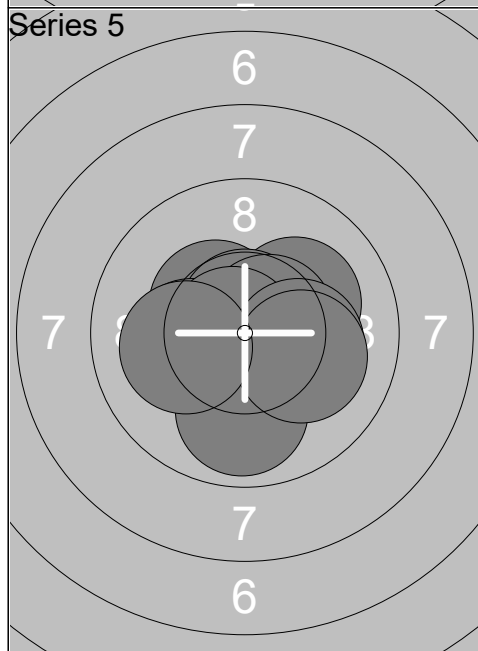
1:	9.5 ↘
2:	10.1 →
3:	10.4x ↙
4:	10.3x ↘
5:	10.3x ↙
6:	10.3x ↖
7:	10.7x ↙
8:	10.8x ↗
9:	10.5x →
10:	10.2x ↘
Series	103.1
	207.9



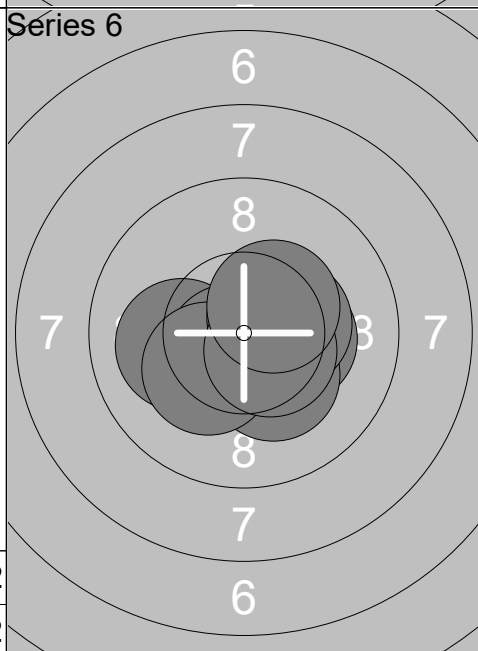
1:	10.3x →
2:	10.3x ↗
3:	10.8x ↘
4:	9.7 ↗
5:	9.8 →
6:	10.3x ↑
7:	9.8 ↑
8:	10.5x ↙
9:	10.0 ←
10:	10.7x ↘
Series	102.2
	310.1



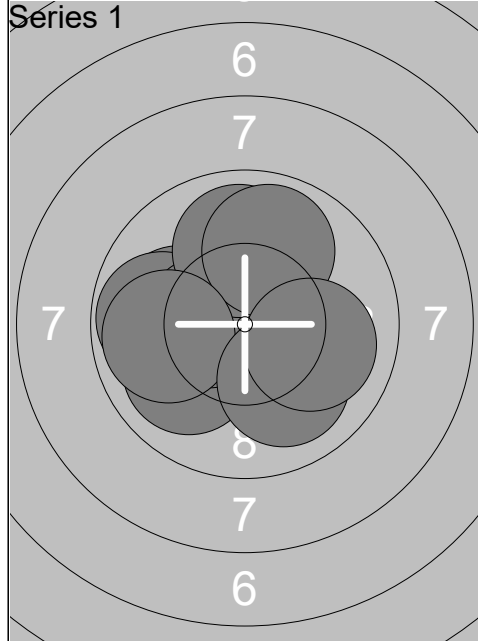
1:	10.7x →
2:	10.0 ↘
3:	10.6x ↘
4:	10.6x ↘
5:	10.1 ↘
6:	9.5 ↗
7:	10.8x ↑
8:	10.5x ↑
9:	10.8x ↗
10:	10.3x ↘
Series	103.9
	414.0



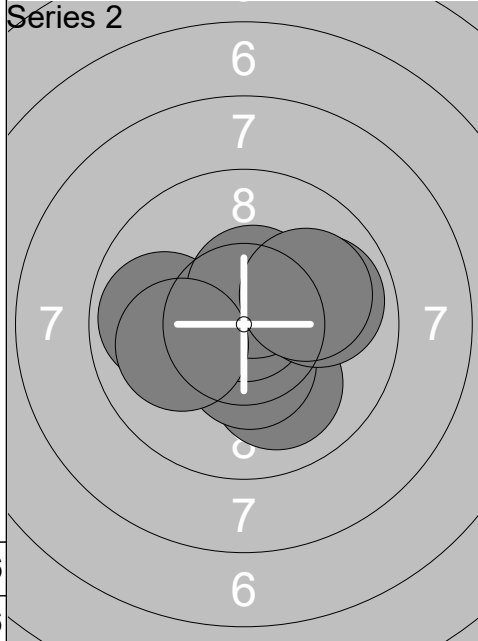
1:	10.2x ↗
2:	10.4x ↖
3:	10.7x ↑
4:	10.6x →
5:	10.2x ←
6:	10.8x ←
7:	9.9 ↓
8:	10.2x →
9:	10.1 →
10:	10.1 ←
Series	103.2
	517.2



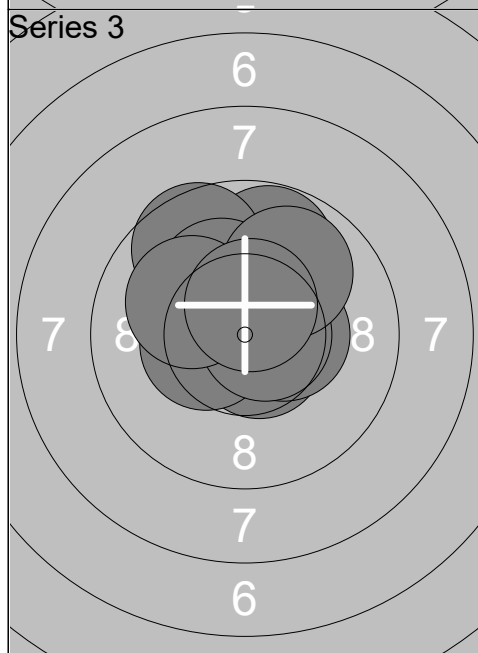
1:	10.5x →
2:	10.1 ←
3:	10.3x →
4:	10.2x ↘
5:	10.6x ↘
6:	10.3x ↙
7:	10.5x ↗
8:	10.4x →
9:	10.5x ↘
10:	10.4x ↗
Series	103.8
	621.0



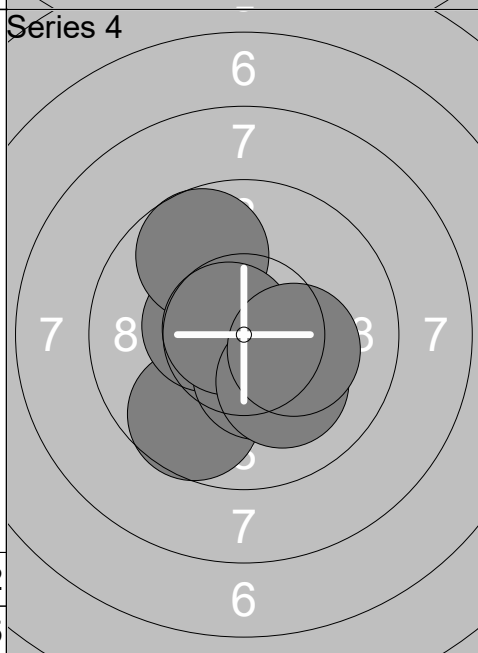
1:	10.0	←
2:	9.8	←
3:	10.7x	→
4:	10.0	↙
5:	10.4x	←
6:	9.9	↑
7:	9.9	↑
8:	9.9	←
9:	10.0	↘
10:	10.0	→
Series	100.6	
	100.6	



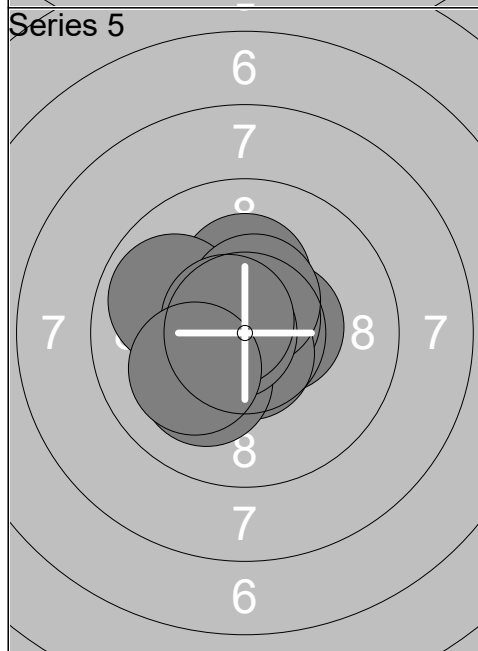
1:	10.5x	↗
2:	10.0	↘
3:	10.6x	↗
4:	10.4x	↘
5:	10.8x	↑
6:	9.9	←
7:	9.9	→
8:	10.5x	↑
9:	10.1	←
10:	10.0	↗
Series	102.7	
	203.3	



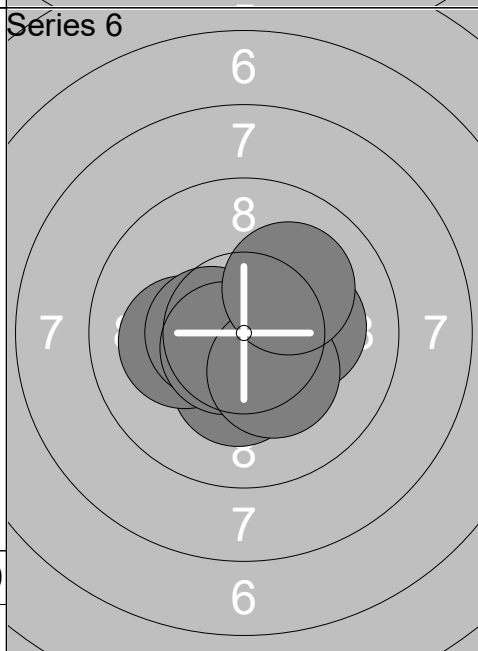
1:	10.6x	↘
2:	10.4x	←
3:	10.4x	→
4:	9.8	↑
5:	10.7x	→
6:	9.6	↑
7:	10.2x	↗
8:	10.1	↖
9:	9.9	↗
10:	10.5x	↑
Series	102.2	
	305.5	



1:	10.5x	↘
2:	10.5x	↙
3:	9.6	↘
4:	10.5x	←
5:	10.4x	↘
6:	9.7	↑
7:	10.4x	↘
8:	10.7x	←
9:	10.1	↘
10:	10.2x	→
Series	102.6	
	408.1	



1:	10.5x	→
2:	10.7x	↗
3:	10.2x	↑
4:	10.6x	↘
5:	9.9	←
6:	10.5x	↑
7:	10.1	↘
8:	10.7x	←
9:	10.7x	↖
10:	10.1	↙
Series	104.0	
	512.1	

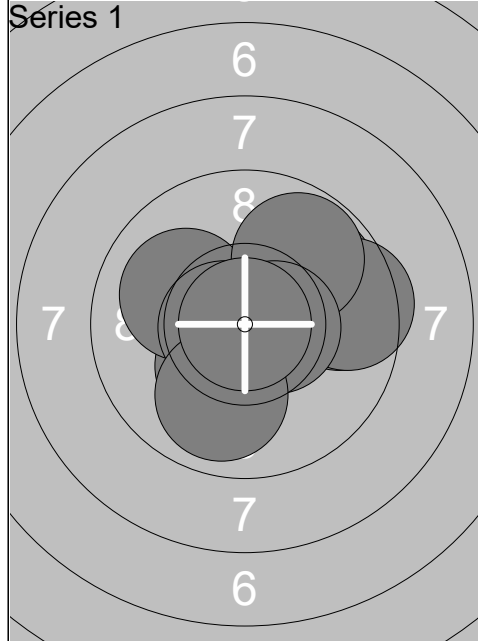


1:	10.3x	↘
2:	10.1	←
3:	10.5x	←
4:	10.5x	→
5:	10.6x	→
6:	10.3x	→
7:	10.1	→
8:	10.6x	↙
9:	10.3x	↘
10:	10.1	↗
Series	103.4	
	615.5	

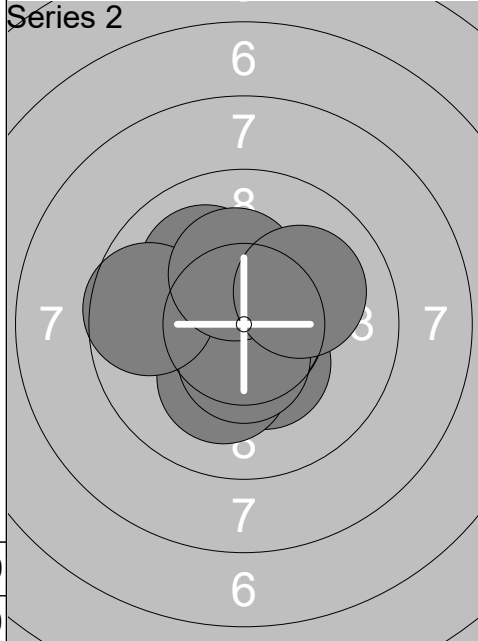
Relay 3	Lane 10	Jonas Andersen		
-------------------	-------------------	-----------------------	--	--

1 Air Qualification	DEN	M	Rifle
---------------------	-----	---	-------

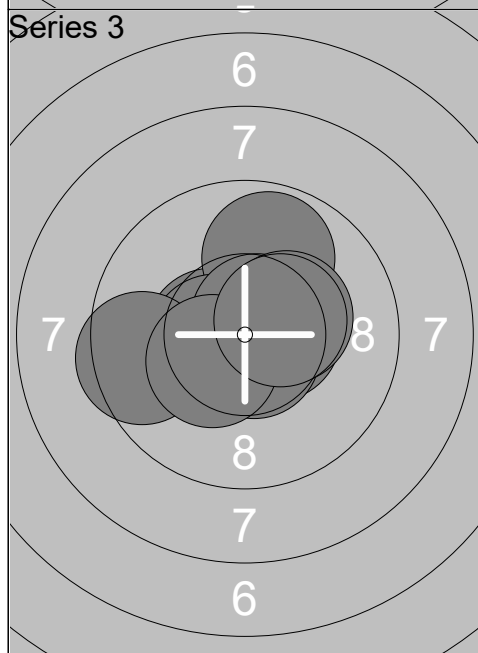
17.02.2023	DENMARK OPEN AIR 2023 DAY1	Danmark Open Air 2023	
------------	----------------------------	-----------------------	--



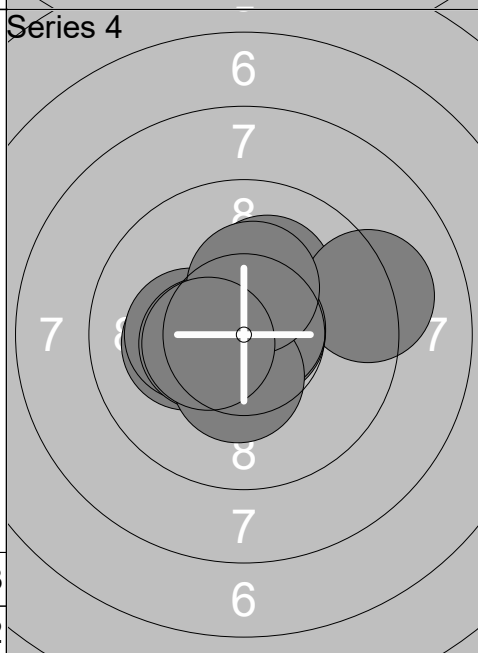
1:	10.3x ↘
2:	10.0 ↖
3:	9.9 ↗
4:	9.6 →
5:	9.5 →
6:	9.8 ↗
7:	10.5x →
8:	10.6x ←
9:	9.9 ↓
10:	10.9x
Series	101.0
	101.0



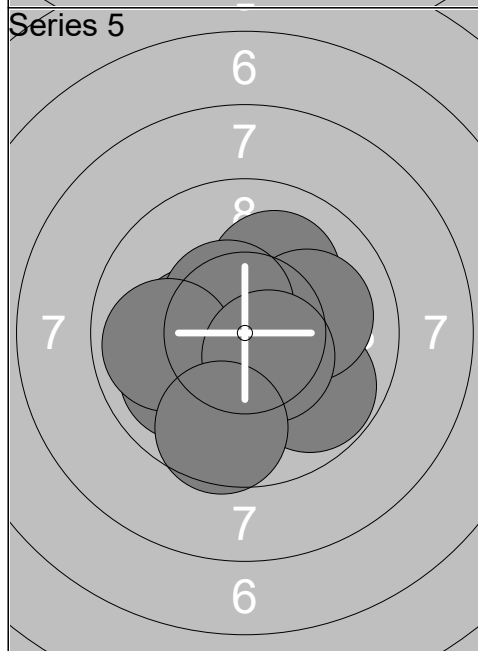
1:	10.6x ←
2:	10.4x ↓
3:	10.5x ←
4:	10.2x ↓
5:	10.8x →
6:	10.0 ↗
7:	10.5x ↓
8:	9.6 ←
9:	10.2x ↑
10:	10.1 ↗
Series	102.9
	203.9



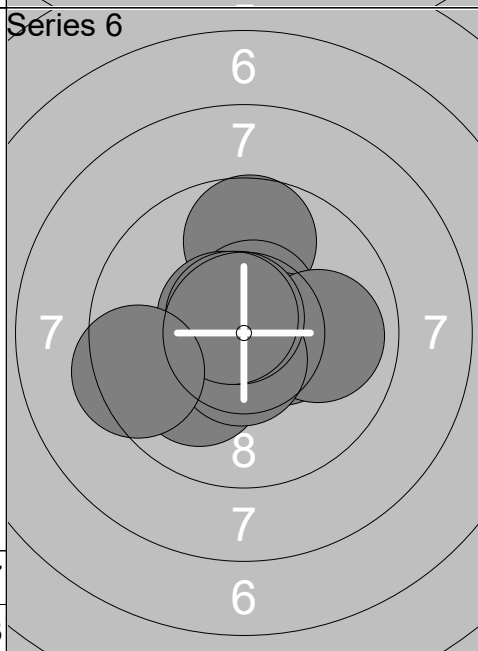
1:	10.5x →
2:	10.5x ←
3:	9.8 ↗
4:	10.5x ←
5:	10.7x ↓
6:	10.7x ↗
7:	9.5 ←
8:	10.4x ←
9:	10.3x →
10:	10.4x →
Series	103.3
	307.2



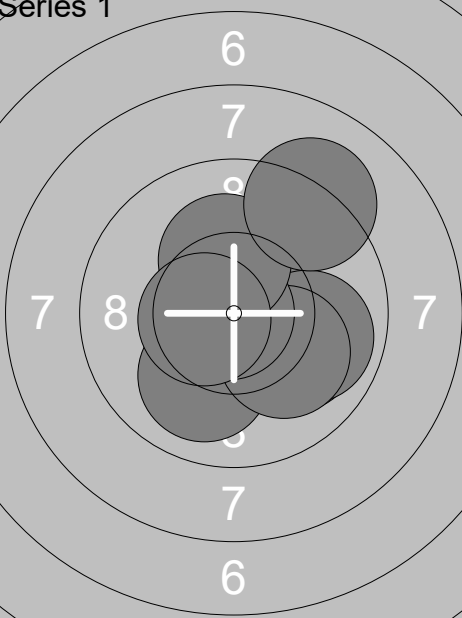
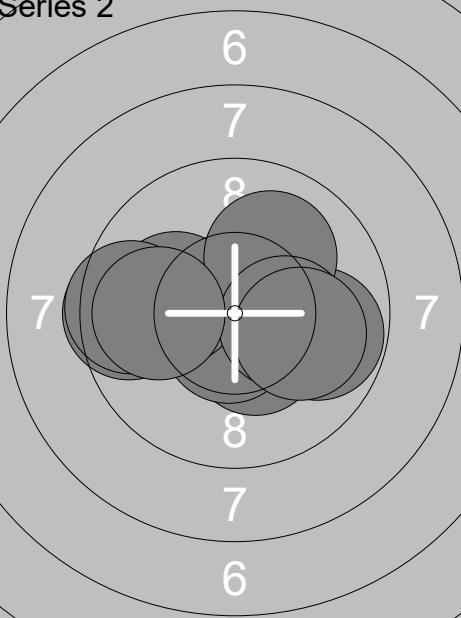
1:	10.1 ←
2:	10.2x ←
3:	10.1 ↗
4:	9.2 →
5:	10.7x →
6:	10.7x →
7:	10.4x ←
8:	10.3x ↓
9:	10.3x ↑
10:	10.4x ←
Series	102.4
	409.6

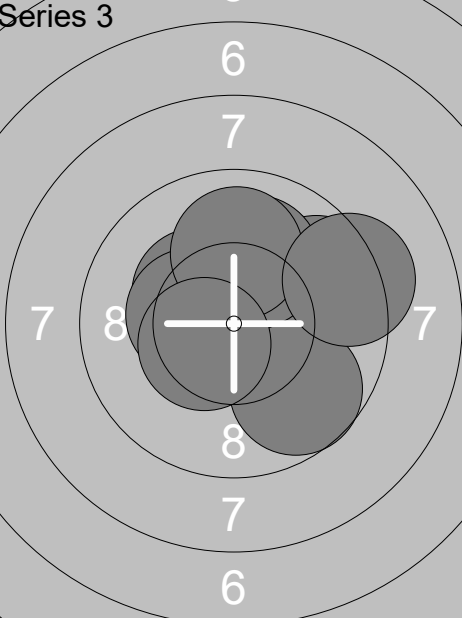
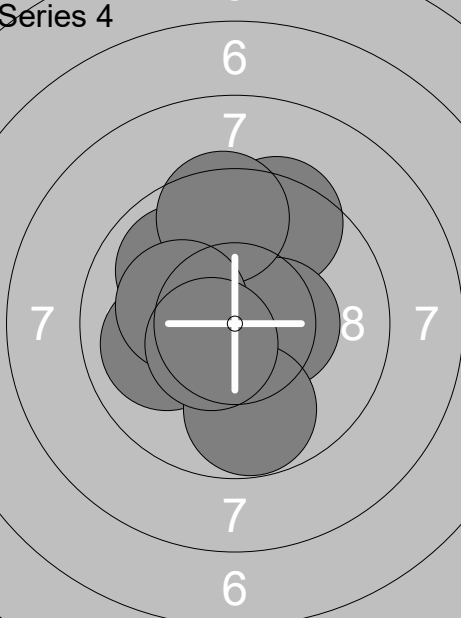


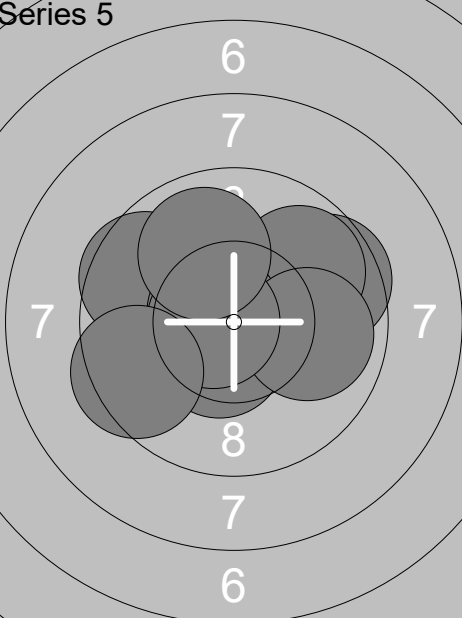
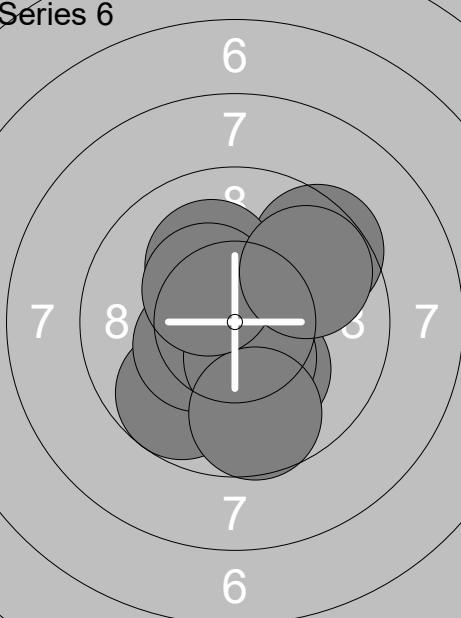
1:	10.9x ↓
2:	10.1 ↗
3:	9.8 ↘
4:	10.0 ↖
5:	10.1 →
6:	10.3x ←
7:	10.5x ↗
8:	9.9 ←
9:	10.5x ↘
10:	9.6 ↓
Series	101.7
	511.3



1:	9.7 ↑
2:	10.6x ↑
3:	10.6x ↖
4:	10.5x →
5:	10.1 ↘
6:	9.9 →
7:	10.6x ↓
8:	10.7x ↗
9:	10.7x ↖
10:	9.4 ←
Series	102.8
	614.1

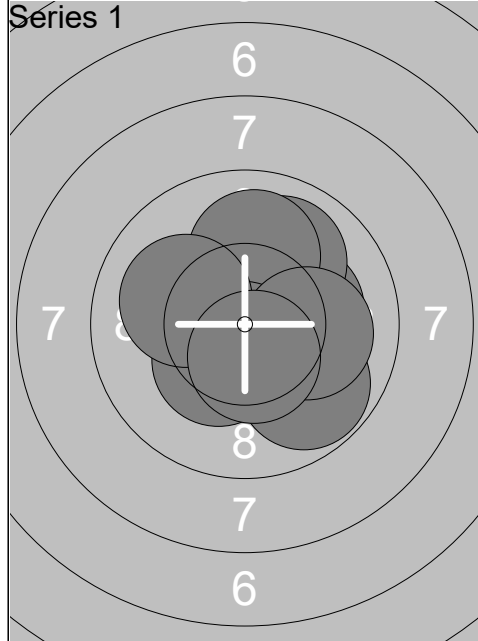
<p>Series 1</p> 	<p>1: 10.0 ➤</p> <p>2: 10.0 ▼</p> <p>3: 10.6x ➔</p> <p>4: 10.4x ➔</p> <p>5: 9.9 ➤</p> <p>6: 10.1 ▼</p> <p>7: 10.9x ←</p> <p>8: 10.2x ↑</p> <p>9: 9.1 ↗</p> <p>10: 10.5x ←</p> <p>Series 101.7</p> <p style="text-align: center;">101.7</p>	<p>Series 2</p> 	<p>1: 10.4x ▼</p> <p>2: 9.5 ←</p> <p>3: 10.6x ▼</p> <p>4: 10.1 ←</p> <p>5: 9.8 ➤</p> <p>6: 10.0 ↗</p> <p>7: 10.2x ➔</p> <p>8: 10.0 ➤</p> <p>9: 9.5 ←</p> <p>10: 9.9 ←</p> <p>Series 100.0</p> <p style="text-align: center;">201.7</p>
---	---	---	---

<p>Series 3</p> 	<p>1: 10.1 ↗</p> <p>2: 9.7 ➔</p> <p>3: 10.8x ▼</p> <p>4: 9.7 ▼</p> <p>5: 10.3x ↗</p> <p>6: 10.3x ←</p> <p>7: 10.0 ↑</p> <p>8: 10.0 ↑</p> <p>9: 10.4x ↙</p> <p>10: 9.3 ➔</p> <p>Series 100.6</p> <p style="text-align: center;">302.3</p>	<p>Series 4</p> 	<p>1: 10.7x ↑</p> <p>2: 10.6x ▼</p> <p>3: 9.9 ←</p> <p>4: 9.9 ↗</p> <p>5: 9.4 ↑</p> <p>6: 10.4x ➔</p> <p>7: 9.5 ↑</p> <p>8: 10.2x ←</p> <p>9: 9.7 ▼</p> <p>10: 10.5x ↙</p> <p>Series 100.8</p> <p style="text-align: center;">403.1</p>
--	---	--	--

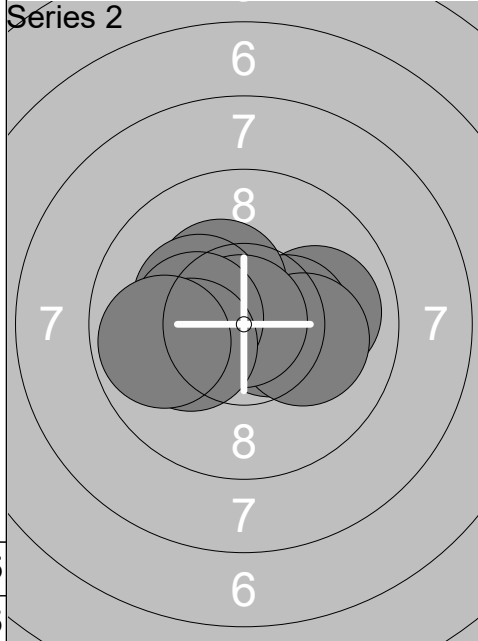
<p>Series 5</p> 	<p>1: 10.0 ➔</p> <p>2: 10.5x ▼</p> <p>3: 9.5 ➔</p> <p>4: 9.8 ➔</p> <p>5: 9.6 ←</p> <p>6: 10.6x ←</p> <p>7: 9.9 ➤</p> <p>8: 10.7x ←</p> <p>9: 9.4 ←</p> <p>10: 9.9 ↑</p> <p>Series 99.9</p> <p style="text-align: center;">503.0</p>	<p>Series 6</p> 	<p>1: 10.5x ↗</p> <p>2: 9.7 ▼</p> <p>3: 9.5 ↗</p> <p>4: 10.1 ↑</p> <p>5: 10.2x ▼</p> <p>6: 10.4x ↙</p> <p>7: 10.4x ▼</p> <p>8: 9.7 ▼</p> <p>9: 10.4x ↗</p> <p>10: 9.7 ➔</p> <p>Series 100.6</p> <p style="text-align: center;">603.6</p>
---	--	---	---

Relay	Lane	Timothée Vedel			
3	12	FRA		M	Rifle
17.02.2023		DENMARK OPEN AIR 2023 DAY1		Danmark Open Air 2023	
Series 1 	1:	10.4x ↖	Series 2 	1:	10.5x →
	2:	10.3x →		2:	10.2x ↖
	3:	10.6x ↘		3:	10.1 →
	4:	10.2x ↖		4:	10.9x ↓
	5:	10.3x →		5:	10.5x ↗
	6:	10.6x ↗		6:	10.3x ↖
	7:	10.0 ←		7:	9.9 ←
	8:	10.0 ↖		8:	10.9x →
	9:	10.5x ↖		9:	10.1 ↙
	10:	10.2x ↖		10:	9.8 →
	Series	103.1		Series	103.2
		103.1			206.3
Series 3 	1:	10.1 ←	Series 4 	1:	10.2x ↑
	2:	10.3x ↖		2:	10.7x →
	3:	10.6x ↓		3:	10.6x ↑
	4:	10.6x ↖		4:	10.5x ↑
	5:	10.7x ↓		5:	10.5x ↓
	6:	10.5x →		6:	10.3x ↗
	7:	10.1 ↗		7:	10.3x ↑
	8:	10.5x ↖		8:	10.7x ↖
	9:	10.4x ↖		9:	10.7x ↓
	10:	10.6x ↗		10:	10.0 ↓
	Series	104.4		Series	104.5
		310.7			415.2
Series 5 	1:	10.5x ↗	Series 6 	1:	10.4x ↗
	2:	10.0 ←		2:	10.2x →
	3:	10.7x →		3:	10.4x ↙
	4:	10.8x →		4:	9.8 ↑
	5:	10.4x ↓		5:	10.1 ↓
	6:	9.9 →		6:	10.1 ←
	7:	10.5x ↓		7:	10.6x ↑
	8:	9.9 →		8:	10.6x ↘
	9:	10.8x ↖		9:	10.5x ↓
	10:	10.1 →		10:	10.2x ↙
	Series	103.6		Series	102.9
		518.8			621.7

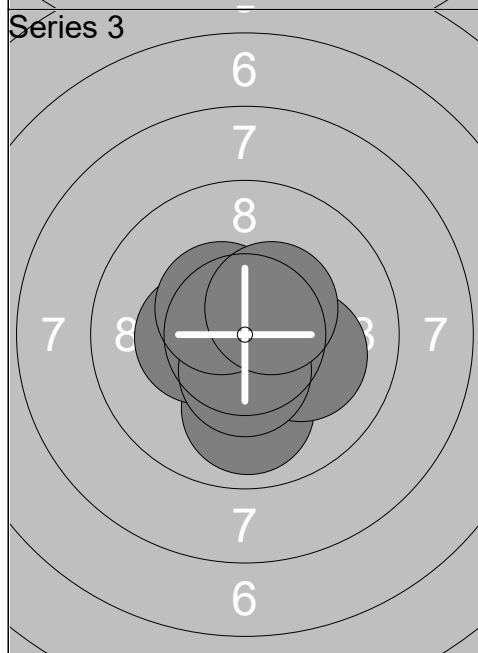
Relay	Lane	Brian Baudouin			
3	14	FRA		M	Rifle
17.02.2023		DENMARK OPEN AIR 2023 DAY1		Danmark Open Air 2023	
Series 1 	1: 10.0 ↑	Series 2 	1: 10.6x ↓		
	2: 10.8x ↙		2: 10.6x ↖		
	3: 9.9 ↖		3: 10.5x ↙		
	4: 10.6x ↖		4: 10.3x ↑		
	5: 10.6x ↑		5: 10.5x ↙		
	6: 10.7x ↑		6: 10.5x ↖		
	7: 10.6x ↗		7: 10.5x →		
	8: 10.3x ↑		8: 10.8x ↓		
	9: 10.4x ↘		9: 10.2x →		
	10: 10.7x ↗		10: 10.3x →		
	Series 104.6	Series 104.8			
	104.6	209.4			
Series 3 	1: 10.5x ↗	Series 4 	1: 10.6x ↖		
	2: 10.7x ↑		2: 10.3x ↙		
	3: 10.5x ↙		3: 10.5x →		
	4: 10.7x ↑		4: 10.6x ↓		
	5: 10.8x ↗		5: 10.6x ↙		
	6: 10.5x ↗		6: 10.5x →		
	7: 10.8x ↗		7: 10.6x ↗		
	8: 10.3x ↑		8: 10.6x ↙		
	9: 10.7x ↖		9: 10.5x ↑		
	10: 10.3x ↑		10: 10.7x ↓		
	Series 105.8	Series 105.5			
	315.2	420.7			
Series 5 	1: 10.5x ↑	Series 6 	1: 10.2x ↖		
	2: 10.8x ↗		2: 10.6x ↓		
	3: 10.1 →		3: 10.6x →		
	4: 10.6x ↙		4: 10.7x ↓		
	5: 10.8x →		5: 10.9x ↘		
	6: 10.6x ↖		6: 10.1 ←		
	7: 10.9x		7: 10.6x ↑		
	8: 10.5x ↗		8: 10.5x ↗		
	9: 10.1 ↖		9: 10.1 ←		
	10: 10.5x ↖		10: 10.7x ↓		
	Series 105.4	Series 105.0			
	526.1	631.1			



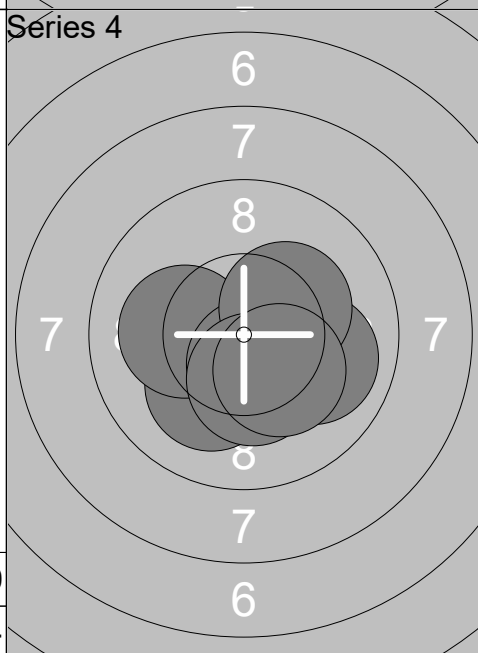
1:	10.2x →
2:	10.0 ↗
3:	10.9x ↑
4:	9.8 ↘
5:	10.0 ↑
6:	10.6x ↓
7:	10.1 →
8:	10.3x ↘
9:	10.1 ←
10:	10.5x ↓
Series	102.5
	102.5



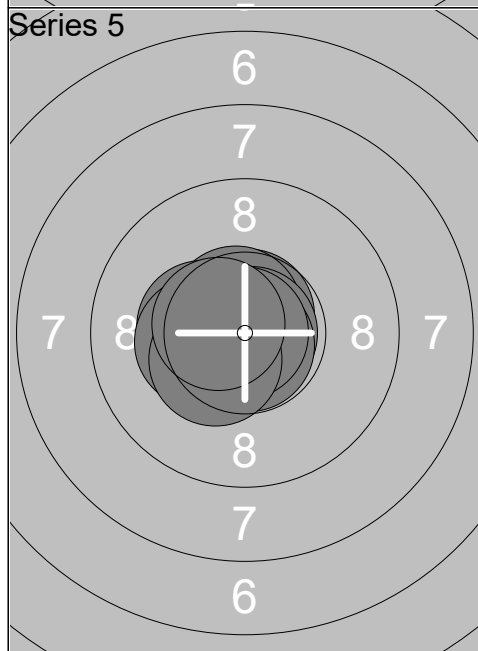
1:	10.6x →
2:	10.0 →
3:	10.4x →
4:	10.1 →
5:	10.3x ↗
6:	10.3x ↖
7:	10.9x ↖
8:	10.3x ←
9:	10.2x ←
10:	9.8 ←
Series	102.9
	205.4



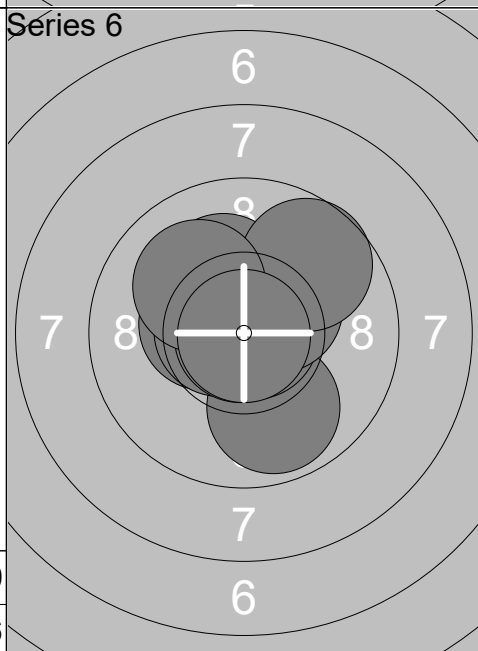
1:	10.9x →
2:	9.9 ↓
3:	10.8x ↘
4:	10.3x ←
5:	10.9x ↑
6:	10.1 →
7:	10.8x ↓
8:	10.5x ↓
9:	10.4x ↖
10:	10.4x ↗
Series	105.0
	310.4



1:	9.9 →
2:	10.5x ↘
3:	10.8x →
4:	10.5x ↘
5:	10.1 ↓
6:	10.1 ←
7:	10.5x ↓
8:	10.3x ↗
9:	10.3x ↓
10:	10.2x ↘
Series	103.2
	413.6



1:	10.7x ←
2:	10.7x ↑
3:	10.6x ↗
4:	10.3x ←
5:	10.8x →
6:	10.8x ↓
7:	10.9x ←
8:	10.3x ←
9:	10.4x ↘
10:	10.5x ←
Series	106.0
	519.6

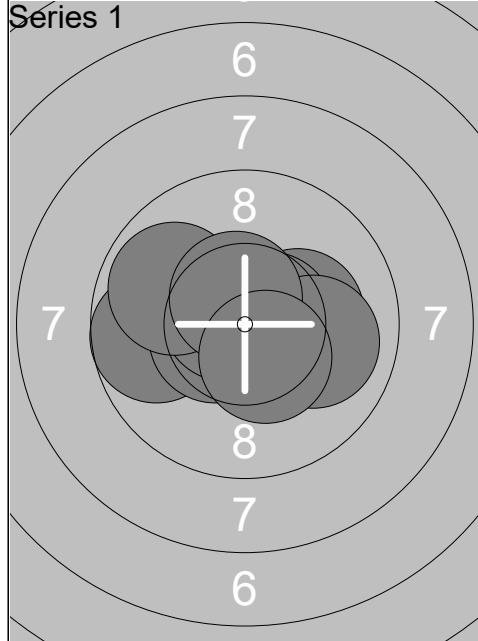


1:	9.9 ↓
2:	10.4x ←
3:	10.1 ↗
4:	10.6x ←
5:	10.8x →
6:	10.9x ↘
7:	10.3x ↗
8:	9.7 ↗
9:	10.0 ↖
10:	10.9x ↓
Series	103.6
	623.2

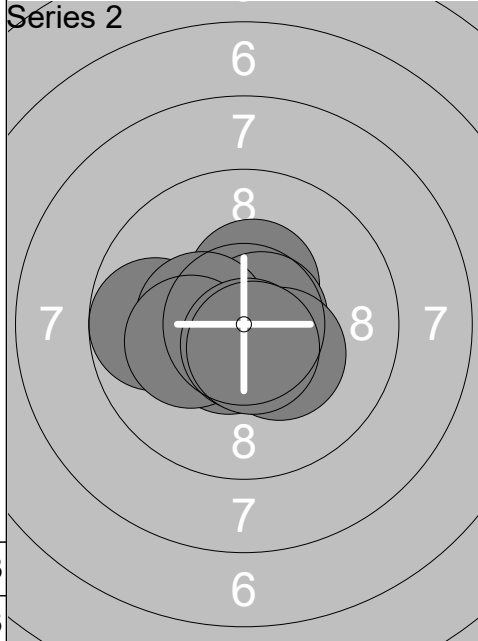
Relay	Lane	Steffen Koefoed			
3	17	DEN		M	Rifle
17.02.2023		DENMARK OPEN AIR 2023 DAY1		Danmark Open Air 2023	
Series 1 	1:	10.6x ↙	Series 2 	1:	10.9x ↑
	2:	10.7x ↓		2:	10.3x ↙
	3:	10.7x ↙		3:	10.4x →
	4:	10.2x ↓		4:	10.2x ↖
	5:	10.5x ↙		5:	10.0 ↗
	6:	10.4x ↖		6:	9.7 ↙
	7:	10.2x ↘		7:	9.8 ↙
	8:	10.3x ↖		8:	9.7 ↖
	9:	10.2x ↙		9:	9.6 ↗
	10:	10.2x ↙		10:	10.6x →
	Series	104.0	Series	101.2	
		104.0		205.2	
Series 3 	1:	10.6x →	Series 4 	1:	9.9 ↙
	2:	10.2x ↗		2:	9.5 ↗
	3:	10.3x ↓		3:	10.7x ↙
	4:	10.0 ↓		4:	10.4x ↓
	5:	9.2 →		5:	10.6x ↖
	6:	10.5x →		6:	9.7 ↙
	7:	9.3 ↑		7:	9.3 ↗
	8:	9.6 ↖		8:	10.3x ↗
	9:	10.4x ↗		9:	10.6x →
	10:	9.9 ↙		10:	10.9x ↓
	Series	100.0	Series	101.9	
		305.2		407.1	
Series 5 	1:	10.6x ↓	Series 6 	1:	10.1 ↗
	2:	9.4 ↖		2:	10.1 ↗
	3:	10.0 ↖		3:	10.4x ↓
	4:	10.1 ↗		4:	10.3x ↓
	5:	8.9 ↗		5:	10.6x ↖
	6:	10.5x ↑		6:	10.7x →
	7:	10.2x ↗		7:	10.2x →
	8:	10.6x ↘		8:	9.9 ↘
	9:	10.0 →		9:	10.0 ↘
	10:	10.3x →		10:	10.7x ↙
	Series	100.6	Series	103.0	
		507.7		610.7	

Relay	Lane	Jens Frimann		
3	19	DEN		M Rifle
17.02.2023		DENMARK OPEN AIR 2023 DAY1		Danmark Open Air 2023
Series 1 	1: 10.6x →	Series 2 	1: 10.1 ←	
	2: 10.0 ↙		2: 10.3x →	
	3: 9.7 ↓		3: 10.4x →	
	4: 10.1 ↓		4: 9.9 ↑	
	5: 9.6 ←		5: 10.7x ↑	
	6: 9.6 ←		6: 9.4 →	
	7: 10.1 ↓		7: 10.6x ↘	
	8: 10.5x ↓		8: 10.9x ↘	
	9: 9.6 ↗		9: 9.5 →	
	10: 9.2 ↓		10: 10.2x →	
	Series 99.0	Series 102.0		
	99.0	201.0		
Series 3 	1: 10.5x →	Series 4 	1: 10.2x ←	
	2: 9.7 →		2: 10.2x ↙	
	3: 10.0 ↑		3: 10.1 ↓	
	4: 9.2 →		4: 10.6x ←	
	5: 10.8x →		5: 10.7x →	
	6: 10.4x ↑		6: 8.9 →	
	7: 10.4x ↗		7: 9.6 ↗	
	8: 10.3x →		8: 10.5x ↓	
	9: 10.7x ↑		9: 10.3x →	
	10: 10.4x ↗		10: 10.6x ↑	
	Series 102.4	Series 101.7		
	303.4	405.1		
Series 5 	1: 9.9 ↓	Series 6 	1: 9.5 →	
	2: 10.4x ↑		2: 10.4x →	
	3: 10.3x →		3: 10.4x ↘	
	4: 10.6x ←		4: 9.7 ↗	
	5: 10.5x →		5: 9.9 ↓	
	6: 9.8 →		6: 10.4x ↗	
	7: 10.1 →		7: 10.8x ↗	
	8: 9.3 →		8: 10.7x ↑	
	9: 10.5x ↗		9: 10.5x ↑	
	10: 9.7 →		10: 10.6x ↗	
	Series 101.1	Series 102.9		
	506.2	609.1		

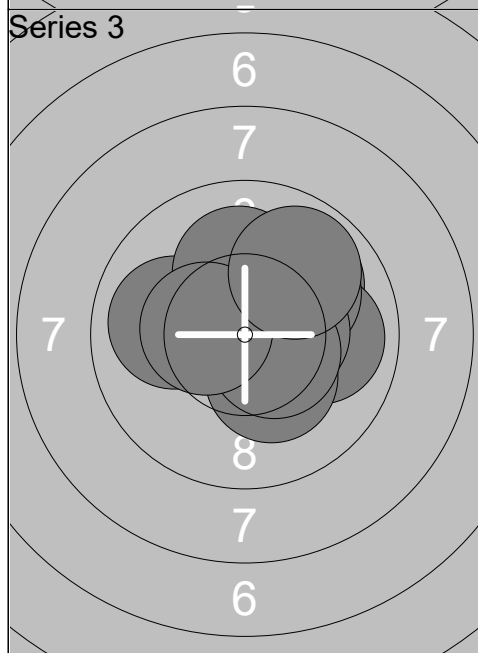
Relay	Lane	Erik Sahlin		
3	20	SWE		M Rifle
17.02.2023		DENMARK OPEN AIR 2023 DAY1		Danmark Open Air 2023
Series 1		Series 2		
1: 9.9 →		1: 10.3x ↖		
2: 10.7x →		2: 10.8x ↙		
3: 10.2x ↑		3: 10.8x ↙		
4: 10.8x ↓		4: 10.6x ↖		
5: 10.7x ↘		5: 9.7 ←		
6: 10.3x ↘		6: 10.7x ↓		
7: 10.8x ↗		7: 10.5x ↙		
8: 10.1 ←		8: 10.4x ↙		
9: 10.6x ↙		9: 10.6x ↖		
10: 10.8x →		10: 10.2x ↑		
Series 104.9		Series 104.6		
104.9		209.5		
Series 3		Series 4		
1: 10.6x →		1: 10.8x ↖		
2: 10.5x ↙		2: 10.7x →		
3: 10.5x →		3: 10.4x ↑		
4: 10.5x ↗		4: 10.7x ↓		
5: 10.3x ↘		5: 10.2x →		
6: 10.6x →		6: 10.7x →		
7: 10.9x ↙		7: 10.2x ↗		
8: 10.5x ↑		8: 10.7x ↘		
9: 10.7x ↗		9: 10.8x →		
10: 10.6x ↗		10: 10.3x ↑		
Series 105.7		Series 105.5		
315.2		420.7		
Series 5		Series 6		
1: 10.6x ↑		1: 10.8x ↘		
2: 10.3x ↑		2: 10.5x ↓		
3: 10.1 →		3: 10.2x ↙		
4: 10.7x ↗		4: 10.8x ↓		
5: 10.5x ↙		5: 9.9 ←		
6: 10.9x		6: 10.2x →		
7: 10.8x ↑		7: 9.8 →		
8: 10.7x →		8: 10.1 ←		
9: 10.4x ↓		9: 10.1 ←		
10: 10.4x ↙		10: 10.5x ↓		
Series 105.4		Series 102.9		
526.1		629.0		



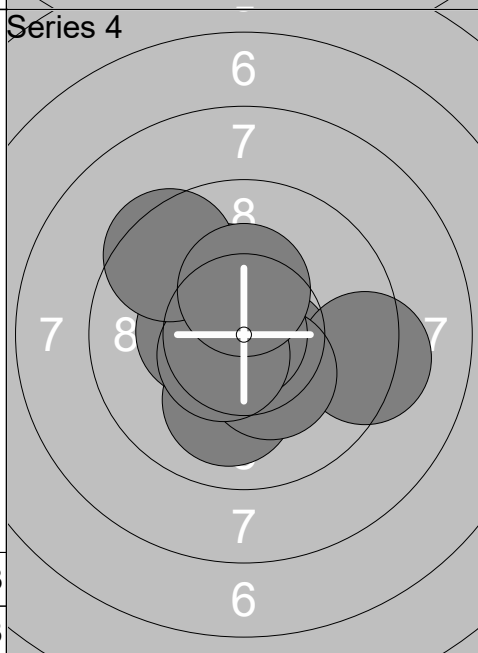
1:	10.8x ↗
2:	9.7 ←
3:	10.5x ↙
4:	10.2x →
5:	10.6x →
6:	10.7x ↖
7:	10.0 →
8:	9.8 ←
9:	10.6x ↑
10:	10.4x ↘
Series	103.3
	103.3



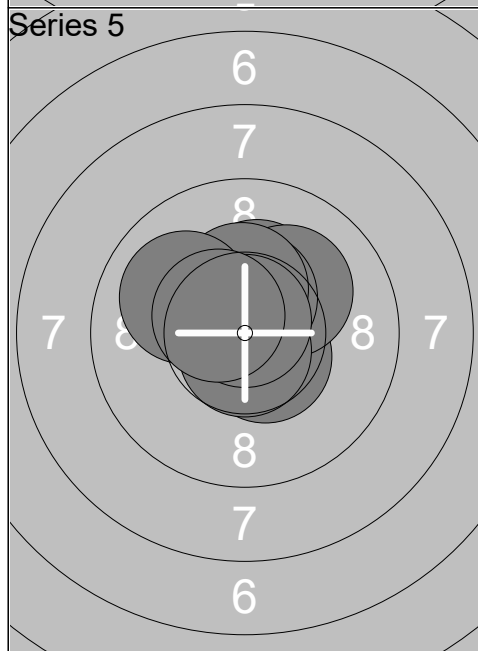
1:	10.4x ↑
2:	10.7x →
3:	10.3x ↙
4:	10.3x ↘
5:	10.5x ↘
6:	9.7 ←
7:	10.4x ↙
8:	10.2x ↙
9:	10.6x ↓
10:	10.6x ↓
Series	103.7
	207.0



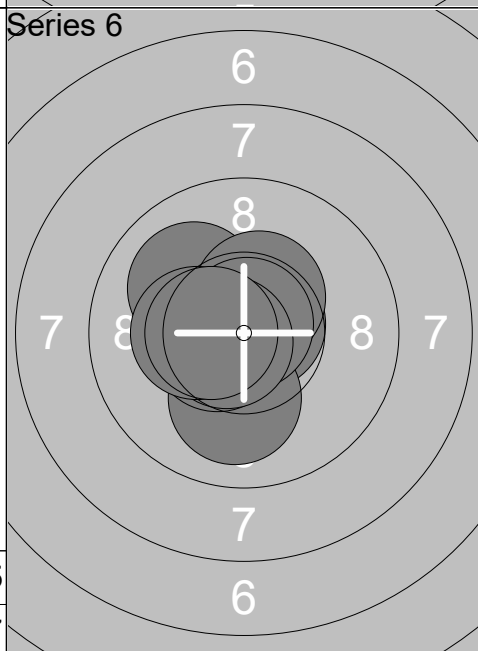
1:	9.9 ↗
2:	9.9 →
3:	10.0 ↗
4:	10.0 ←
5:	10.1 ↑
6:	10.4x →
7:	10.3x ↘
8:	10.5x ↘
9:	10.4x ↙
10:	9.8 ↗
Series	101.3
	308.3



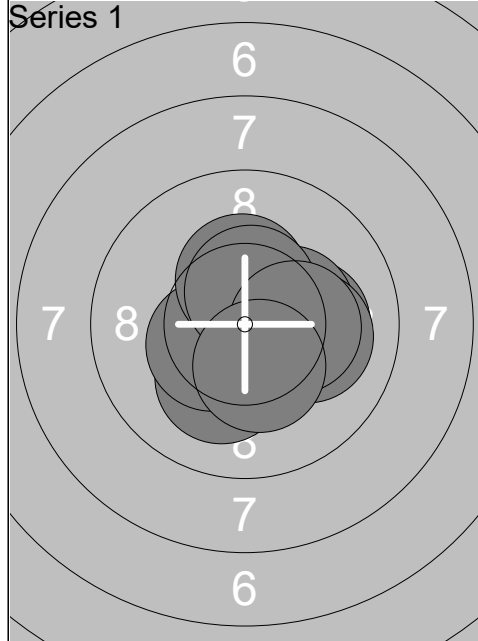
1:	10.5x ↘
2:	10.0 ↓
3:	9.3 →
4:	10.4x ↙
5:	10.3x ↘
6:	10.9x ↙
7:	10.3x ↗
8:	10.5x ↙
9:	9.4 ↖
10:	10.3x ↑
Series	101.9
	410.2



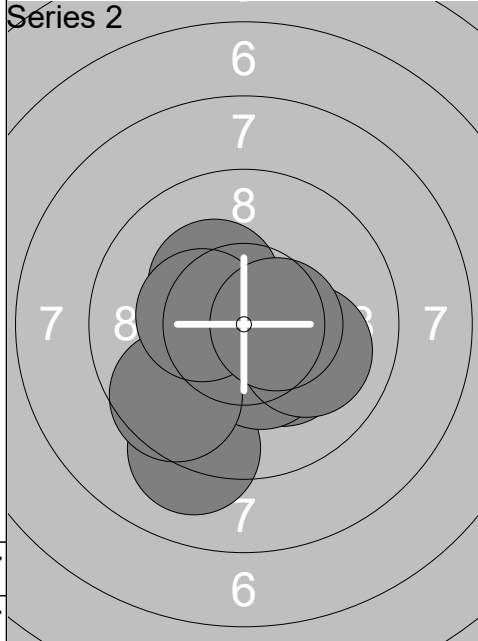
1:	10.8x ↘
2:	10.3x ↑
3:	10.5x ↘
4:	10.1 ↗
5:	10.5x ↑
6:	10.3x ↑
7:	10.7x ↓
8:	10.8x ↑
9:	10.0 ↖
10:	10.5x ↖
Series	104.5
	514.7



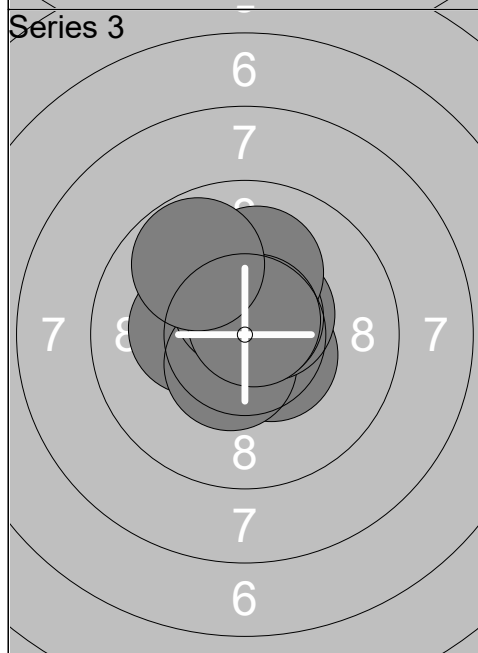
1:	10.7x ↗
2:	10.0 ↓
3:	10.3x ↖
4:	10.5x ↙
5:	10.0 ↖
6:	10.4x ↑
7:	10.8x ↑
8:	10.7x ↙
9:	10.3x ↙
10:	10.5x ↙
Series	104.2
	618.9



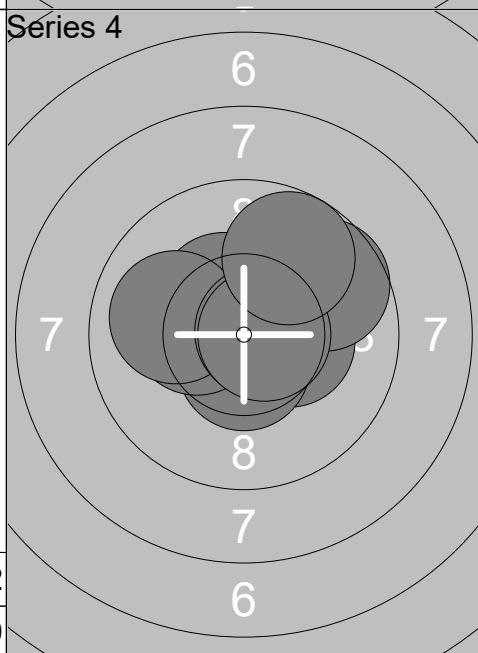
1:	10.1	↘
2:	10.1	→
3:	10.4x	↙
4:	10.3x	→
5:	10.3x	→
6:	10.3x	↑
7:	10.5x	↑
8:	10.1	→
9:	10.3x	→
10:	10.3x	↘
Series	102.7	
	102.7	



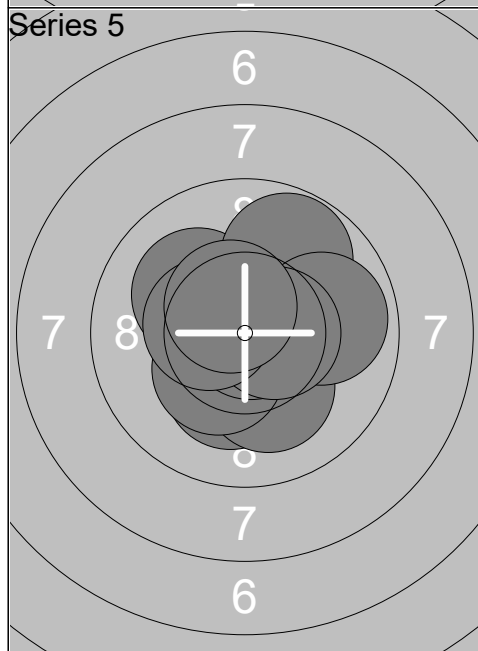
1:	10.2x	↘
2:	10.7x	→
3:	9.1	↘
4:	10.8x	↙
5:	10.3x	↖
6:	10.4x	↘
7:	10.0	→
8:	9.6	↘
9:	10.4x	↙
10:	10.5x	→
Series	102.0	
	204.7	



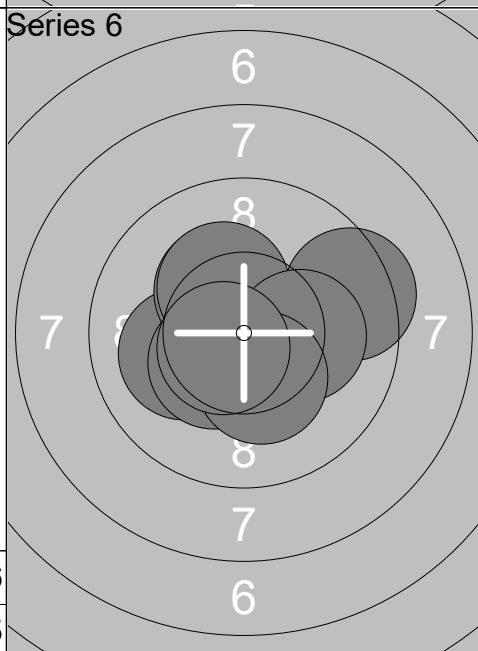
1:	10.5x	↘
2:	10.7x	↙
3:	10.2x	↙
4:	10.5x	↘
5:	10.5x	↗
6:	10.5x	↑
7:	10.7x	↗
8:	10.1	↑
9:	10.7x	↗
10:	9.8	↖
Series	104.2	
	308.9	



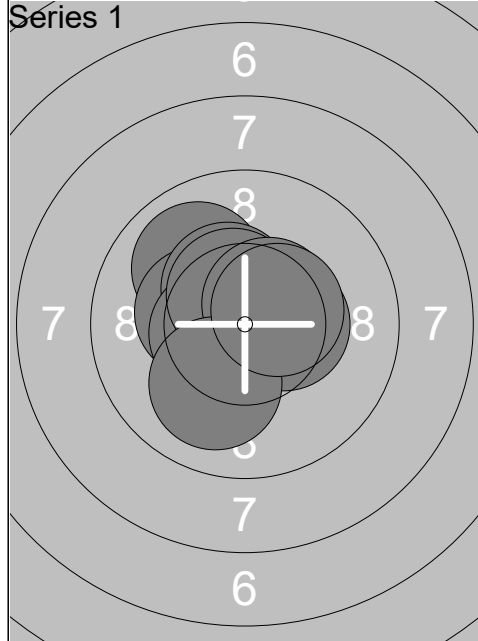
1:	10.7x	↑
2:	10.3x	→
3:	10.5x	↘
4:	10.3x	↙
5:	9.7	↗
6:	10.4x	↖
7:	10.0	←
8:	10.7x	→
9:	10.7x	→
10:	9.7	↗
Series	103.0	
	411.9	



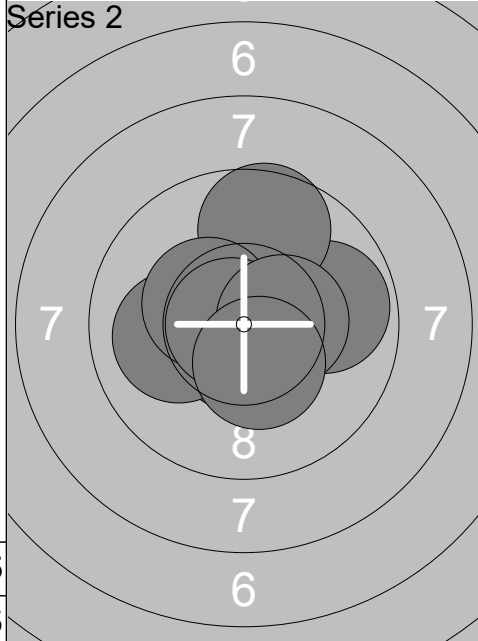
1:	10.1	↖
2:	9.8	↗
3:	10.2x	↘
4:	10.1	↘
5:	9.9	→
6:	10.3x	↘
7:	10.8x	→
8:	10.5x	→
9:	10.4x	↙
10:	10.5x	↖
Series	102.6	
	514.5	



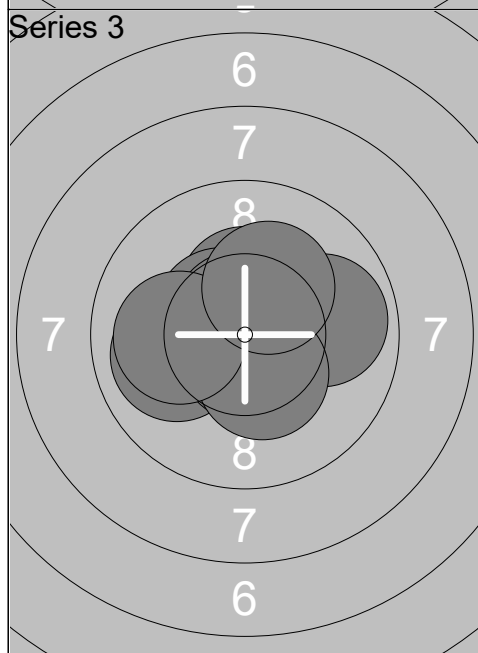
1:	10.6x	↙
2:	10.1	←
3:	10.7x	→
4:	10.4x	↙
5:	10.3x	↖
6:	10.3x	↖
7:	9.4	→
8:	10.2x	→
9:	10.3x	↘
10:	10.6x	↙
Series	102.9	
	617.4	



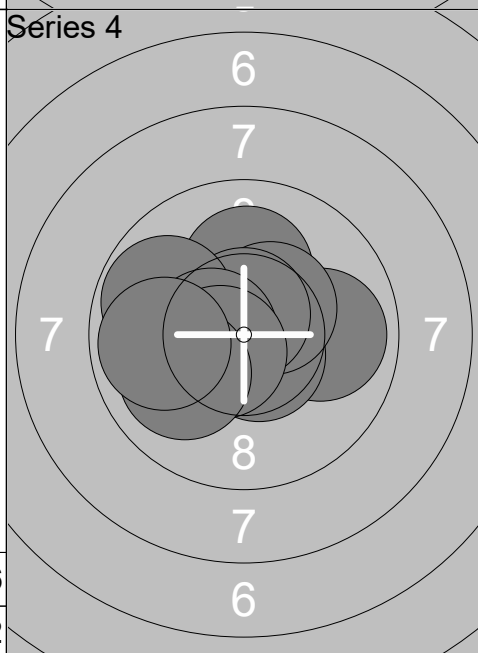
1:	9.9 ↖
2:	10.6x ↑
3:	10.4x →
4:	10.3x ↙
5:	10.4x ↖
6:	10.5x ↙
7:	10.5x ↖
8:	10.5x ↗
9:	10.0 ↓
10:	10.4x ↗
Series	103.5
	103.5



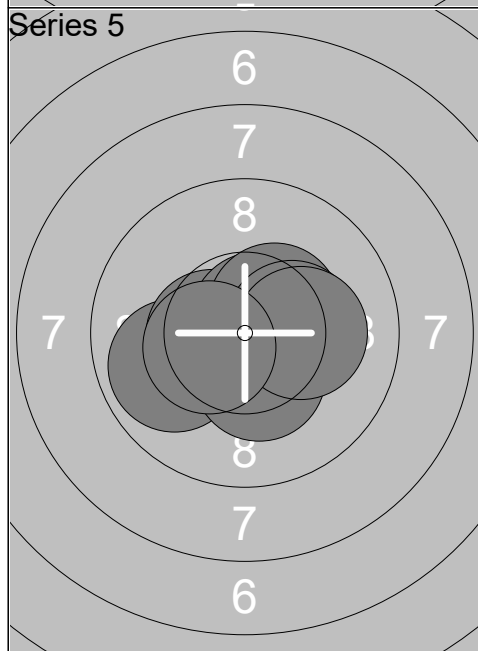
1:	10.6x ↗
2:	9.8 →
3:	10.5x ↙
4:	9.6 ↑
5:	10.6x ↓
6:	10.0 ←
7:	10.4x ↙
8:	10.8x ↙
9:	10.4x →
10:	10.4x ↓
Series	103.1
	206.6



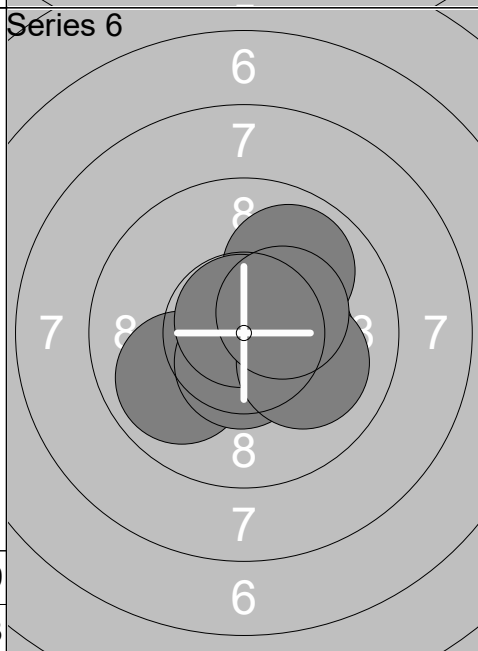
1:	10.8x ↙
2:	9.9 →
3:	10.4x ↑
4:	10.5x ↖
5:	10.0 ←
6:	10.7x ↖
7:	10.7x ↓
8:	10.4x ↓
9:	10.0 ←
10:	10.2x ↗
Series	103.6
	310.2



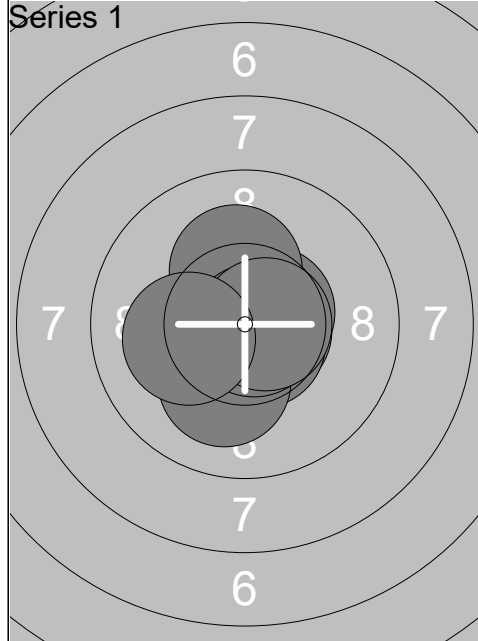
1:	10.1 ↑
2:	9.9 →
3:	10.6x ↓
4:	10.4x ↗
5:	10.6x ↑
6:	9.8 ↙
7:	10.5x ↙
8:	10.5x ↙
9:	10.0 ↙
10:	9.8 ←
Series	102.2
	412.4



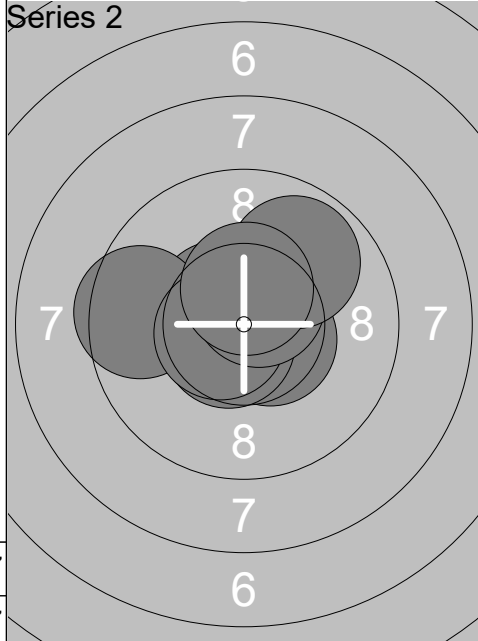
1:	10.6x ↗
2:	9.9 ↙
3:	10.7x ↓
4:	10.5x ↙
5:	10.6x ↗
6:	10.4x ↗
7:	10.3x →
8:	10.3x ↓
9:	10.2x →
10:	10.4x ↙
Series	103.9
	516.3



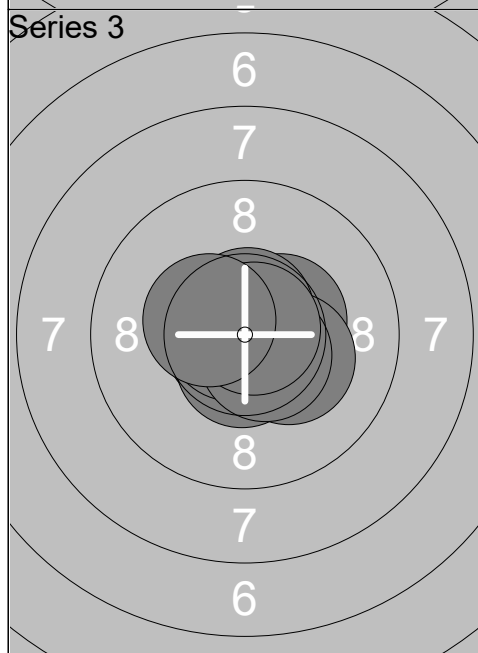
1:	10.8x ↘
2:	10.6x ↘
3:	9.9 ↙
4:	10.5x ↓
5:	10.7x ↗
6:	9.9 ↗
7:	10.3x →
8:	10.8x ↑
9:	10.0 ↘
10:	10.3x ↗
Series	103.8
	620.1



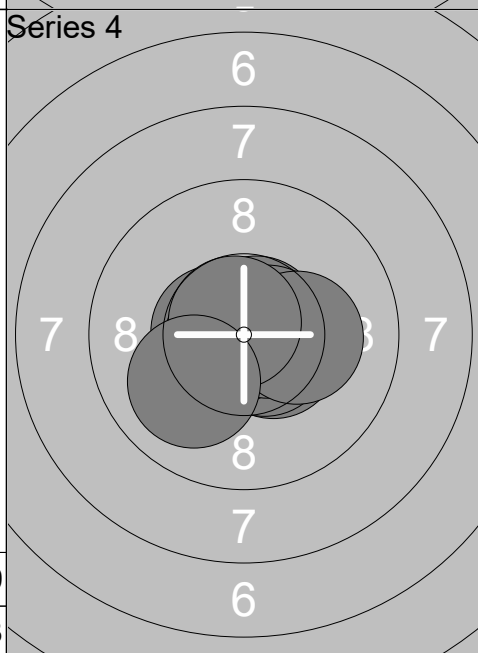
1:	10.5x ←
2:	10.6x ←
3:	10.7x →
4:	10.5x →
5:	10.2x ↑
6:	10.6x ↓
7:	10.1 ↓
8:	10.8x →
9:	10.6x →
10:	10.1 ←
Series	104.7
	104.7



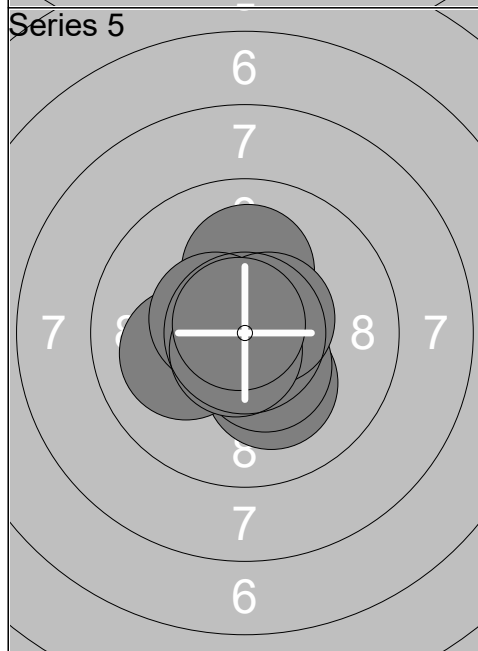
1:	10.6x ↗
2:	10.5x ↖
3:	10.6x ↗
4:	10.5x →
5:	10.6x ↓
6:	9.5 ←
7:	10.6x ←
8:	10.5x ↗
9:	9.9 ↗
10:	10.4x ↑
Series	103.7
	208.4



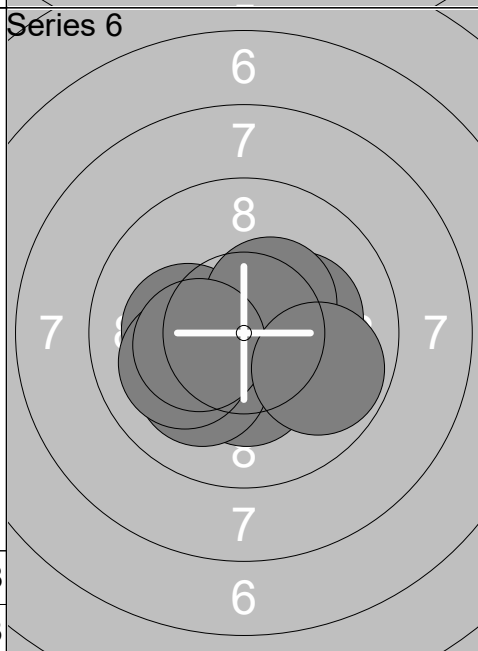
1:	10.4x →
2:	10.7x ←
3:	10.8x ↑
4:	10.6x ↑
5:	10.3x →
6:	10.6x ↓
7:	10.8x ←
8:	10.5x ↓
9:	10.8x ↗
10:	10.4x ↖
Series	105.9
	314.3



1:	10.6x ←
2:	10.7x ↗
3:	10.6x ←
4:	10.5x →
5:	10.6x ↓
6:	10.7x ←
7:	10.6x →
8:	10.2x →
9:	10.7x ↖
10:	10.0 ↓
Series	105.2
	419.5



1:	10.6x ↓
2:	10.2x ↓
3:	10.9x ↖
4:	10.4x ↓
5:	10.1 ←
6:	10.1 ↑
7:	10.5x ↖
8:	10.6x ↗
9:	10.6x ↓
10:	10.8x ↖
Series	104.8
	524.3



1:	10.2x ←
2:	10.7x ↓
3:	10.3x ↓
4:	10.2x ←
5:	10.1 ↓
6:	10.2x →
7:	10.4x ↗
8:	10.0 ←
9:	10.3x ←
10:	9.8 →
Series	102.2
	626.5