

Relay	Lane	Anna Pedersen		
4	1			
1 Air Qualification	DEN		WJ	Rifle
17.02.2023	DENMARK OPEN AIR 2023 DAY1	Danmark Open Air 2023		
Series 1 	1: 10.6x ←	Series 2 	1: 9.5 →	
	2: 10.6x ←		2: 10.2x →	
	3: 9.4 ↑		3: 9.2 ↑	
4: 8.9 ←	4: 9.4 ↖	4: 9.4 ↖	4: 9.4 ↖	
5: 9.7 ←	5: 9.3 ↑	5: 9.3 ↑	5: 9.3 ↑	
6: 9.1 ↑	6: 9.8 ↗	6: 9.8 ↗	6: 9.8 ↗	
7: 10.7x ↗	7: 10.2x ↓	7: 10.2x ↓	7: 10.2x ↓	
8: 10.0 ↗	8: 9.7 ↗	8: 9.7 ↗	8: 9.7 ↗	
9: 10.4x ↗	9: 9.8 ↗	9: 9.8 ↗	9: 9.8 ↗	
10: 10.1 ↗	10: 9.7 ↑	10: 9.7 ↑	10: 9.7 ↑	
Series 99.5	Series 96.8	Series 96.8	Series 96.8	
99.5	196.3	196.3	196.3	
Series 3 	1: 9.5 ↑	Series 4 	1: 9.4 ←	
	2: 10.3x ↓		2: 9.9 ↙	
	3: 10.3x →		3: 10.2x ↑	
4: 8.9 ↘	4: 8.4 →	4: 8.4 →	4: 8.4 →	
5: 9.9 →	5: 8.9 ↘	5: 8.9 ↘	5: 8.9 ↘	
6: 10.1 ↘	6: 9.6 →	6: 9.6 →	6: 9.6 →	
7: 9.9 →	7: 10.2x →	7: 10.2x →	7: 10.2x →	
8: 10.4x ←	8: 9.7 ↖	8: 9.7 ↖	8: 9.7 ↖	
9: 9.7 ↘	9: 10.0 →	9: 10.0 →	9: 10.0 →	
10: 8.8 ←	10: 10.1 ↗	10: 10.1 ↗	10: 10.1 ↗	
Series 97.8	Series 96.4	Series 96.4	Series 96.4	
294.1	390.5	390.5	390.5	
Series 5 	1: 8.9 ↗	Series 6 	1: 9.9 ↖	
	2: 9.5 ↓		2: 10.0 ↗	
	3: 9.4 →		3: 9.3 ↑	
4: 9.2 ↗	4: 8.3 →	4: 8.3 →	4: 8.3 →	
5: 10.6x →	5: 10.2x ←	5: 10.2x ←	5: 10.2x ←	
6: 9.0 ↗	6: 10.1 ↓	6: 10.1 ↓	6: 10.1 ↓	
7: 8.6 ↖	7: 10.1 ↑	7: 10.1 ↑	7: 10.1 ↑	
8: 10.6x ↓	8: 10.4x →	8: 10.4x →	8: 10.4x →	
9: 10.7x ↑	9: 9.8 ↑	9: 9.8 ↑	9: 9.8 ↑	
10: 10.0 ↗	10: 9.8 ↗	10: 9.8 ↗	10: 9.8 ↗	
Series 96.5	Series 97.9	Series 97.9	Series 97.9	
487.0	584.9	584.9	584.9	

Relay	Lane	Evelina Sundström		
4	2	SWE	WJ	Rifle
17.02.2023	DENMARK OPEN AIR 2023 DAY1	Danmark Open Air 2023		
Series 1 	1: 10.4x ←	Series 2 	1: 10.6x ↘	
	2: 10.3x ←		2: 10.8x ➤	
	3: 9.8 ↙		3: 10.3x ↙	
	4: 10.0 ↘		4: 10.2x ➤	
	5: 10.0 ←		5: 9.6 ↗	
	6: 9.9 ←		6: 10.5x ↑	
	7: 10.7x ←		7: 9.9 ↑	
	8: 10.7x ↘		8: 10.7x ↑	
	9: 10.2x ↗		9: 9.6 ↑	
	10: 10.1 ➔		10: 9.8 ↖	
	Series 102.1		Series 102.0	
	102.1		204.1	
Series 3 	1: 10.4x ↑	Series 4 	1: 10.1 ↓	
	2: 10.2x ↑		2: 10.6x ←	
	3: 10.4x ↑		3: 10.2x ↓	
	4: 10.6x ↘		4: 10.3x ➔	
	5: 10.3x ↗		5: 10.1 ↖	
	6: 10.4x ↘		6: 10.0 ←	
	7: 10.6x ←		7: 9.9 ➔	
	8: 10.2x ➤		8: 10.6x ↘	
	9: 10.0 ←		9: 10.1 ↖	
	10: 10.3x ➤		10: 10.6x ←	
	Series 103.4		Series 102.5	
	307.5		410.0	
Series 5 	1: 10.4x ←	Series 6 	1: 10.5x ←	
	2: 10.9x ↑		2: 10.4x ↖	
	3: 10.1 ←		3: 10.7x ↙	
	4: 10.2x ↓		4: 10.3x ↙	
	5: 10.0 ↑		5: 10.3x ↓	
	6: 10.5x ↑		6: 10.4x ←	
	7: 10.5x ↑		7: 10.8x ↙	
	8: 10.6x ↗		8: 10.9x ↗	
	9: 9.8 ←		9: 10.1 ↓	
	10: 10.2x ↙		10: 10.0 ➔	
	Series 103.2		Series 104.4	
	513.2		617.6	

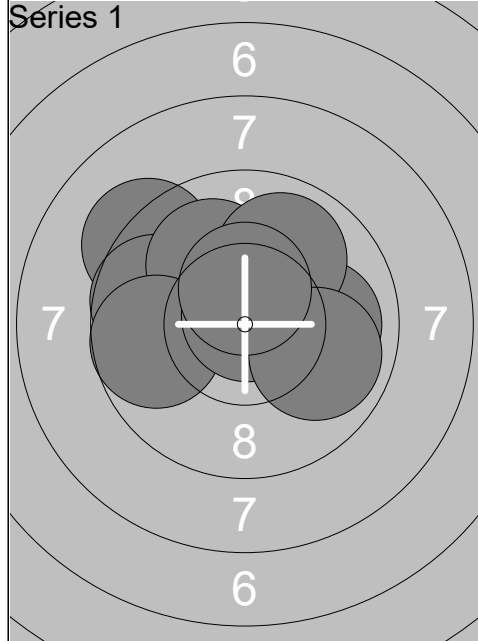
Relay	Lane	Anne Bakke Nielsen		
4	3	DEN	WJ	Rifle
17.02.2023	DENMARK OPEN AIR 2023 DAY1	Danmark Open Air 2023		
Series 1 	1: 10.0 ↖	Series 2 	1: 10.2x →	
	2: 10.5x ↙		2: 10.2x ↘	
	3: 10.7x ↓		3: 10.6x ↓	
4: 10.3x ↖	4: 10.4x ↗	4: 10.7x ↓	4: 10.4x ↗	
5: 10.6x ↓	5: 10.7x ↓	5: 10.7x ↓	5: 10.7x ↓	
6: 10.0 ↑	6: 9.9 ↑	6: 9.9 ↑	6: 9.9 ↑	
7: 10.9x →	7: 10.4x ↗	7: 10.4x ↗	7: 10.4x ↗	
8: 10.1 ↑	8: 9.8 ←	8: 9.8 ←	8: 9.8 ←	
9: 10.7x ↓	9: 9.8 ↖	9: 9.8 ↖	9: 9.8 ↖	
10: 10.5x →	10: 10.0 ←	10: 10.0 ←	10: 10.0 ←	
Series 104.3	Series 102.0	Series 102.0	Series 102.0	
104.3	206.3	206.3	206.3	
Series 3 	1: 10.5x ↖	Series 4 	1: 10.4x ↖	
	2: 10.1 ↙		2: 10.6x ↖	
	3: 10.5x →		3: 10.8x →	
4: 10.0 ←	4: 10.4x →	4: 10.4x →	4: 10.4x →	
5: 10.6x ↓	5: 10.3x →	5: 10.3x →	5: 10.3x →	
6: 10.1 ↘	6: 10.2x ↙	6: 10.2x ↙	6: 10.2x ↙	
7: 10.0 ↗	7: 10.2x ↑	7: 10.2x ↑	7: 10.2x ↑	
8: 10.6x →	8: 10.3x →	8: 10.3x →	8: 10.3x →	
9: 10.8x →	9: 10.5x →	9: 10.5x →	9: 10.5x →	
10: 10.2x ↖	10: 10.5x ↖	10: 10.5x ↖	10: 10.5x ↖	
Series 103.4	Series 104.2	Series 104.2	Series 104.2	
309.7	413.9	413.9	413.9	
Series 5 	1: 10.6x ↘	Series 6 	1: 10.1 →	
	2: 10.4x ↖		2: 10.0 →	
	3: 10.2x ↖		3: 10.7x ↖	
4: 10.4x ↗	4: 10.8x ↓	4: 10.8x ↓	4: 10.8x ↓	
5: 10.4x ↓	5: 10.7x →	5: 10.7x →	5: 10.7x →	
6: 10.7x ↗	6: 10.6x ↖	6: 10.6x ↖	6: 10.6x ↖	
7: 10.2x ↖	7: 10.5x ↖	7: 10.5x ↖	7: 10.5x ↖	
8: 10.8x ↖	8: 10.0 ↙	8: 10.0 ↙	8: 10.0 ↙	
9: 10.4x ↗	9: 9.9 →	9: 9.9 →	9: 9.9 →	
10: 10.3x ↗	10: 10.5x ↖	10: 10.5x ↖	10: 10.5x ↖	
Series 104.4	Series 103.8	Series 103.8	Series 103.8	
518.3	622.1	622.1	622.1	

Relay	Lane	Cecilie Højgaard Madsen		
4	4	DEN	WJ	Rifle
17.02.2023	DENMARK OPEN AIR 2023 DAY1	Danmark Open Air 2023		
Series 1 	1: 9.8 ↗	Series 2 	1: 10.3x ↑	
	2: 8.9 ↗		2: 10.9x	
	3: 10.5x ↘		3: 9.4 →	
	4: 9.7 ↑		4: 9.7 ←	
	5: 9.0 ↖		5: 9.6 ↑	
	6: 10.1 ↑		6: 9.7 ←	
	7: 10.4x ←		7: 10.2x ↙	
	8: 10.7x →		8: 10.5x →	
	9: 10.3x ↘		9: 8.1 ←	
	10: 9.7 ←		10: 10.0 ↓	
	Series 99.1	Series 98.4		
	99.1		197.5	
Series 3 	1: 10.5x ↑	Series 4 	1: 10.3x ←	
	2: 10.1 ←		2: 10.5x ←	
	3: 9.8 ←		3: 9.8 ↙	
	4: 9.3 →		4: 9.3 →	
	5: 10.0 ↓		5: 9.3 ↑	
	6: 9.5 ←		6: 10.6x →	
	7: 10.4x ↗		7: 9.9 →	
	8: 10.2x →		8: 9.4 ↗	
	9: 10.0 →		9: 9.5 →	
	10: 10.3x ↖		10: 10.5x ↓	
	Series 100.1	Series 99.1		
	297.6		396.7	
Series 5 	1: 9.6 ↗	Series 6 	1: 10.3x ↑	
	2: 9.6 →		2: 10.4x →	
	3: 8.1 ←		3: 9.3 ↗	
	4: 9.6 ↑		4: 9.2 ↗	
	5: 10.7x ↑		5: 9.5 →	
	6: 9.3 ←		6: 8.0 ←	
	7: 10.3x ↑		7: 9.5 ←	
	8: 10.1 ↘		8: 10.5x ↑	
	9: 9.4 ←		9: 10.0 →	
	10: 10.6x ↘		10: 10.2x ←	
	Series 97.3	Series 96.9		
	494.0		590.9	

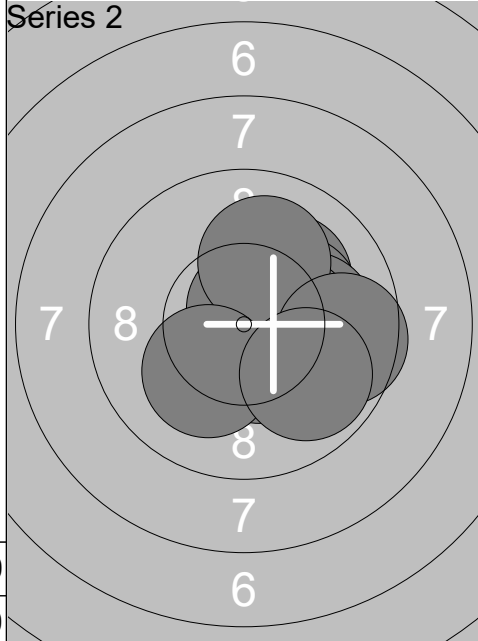
Relay 4	Lane 6	Annabelle Borved
-------------------	------------------	-------------------------

1 Air Qualification	DEN	WJ	Rifle
---------------------	-----	----	-------

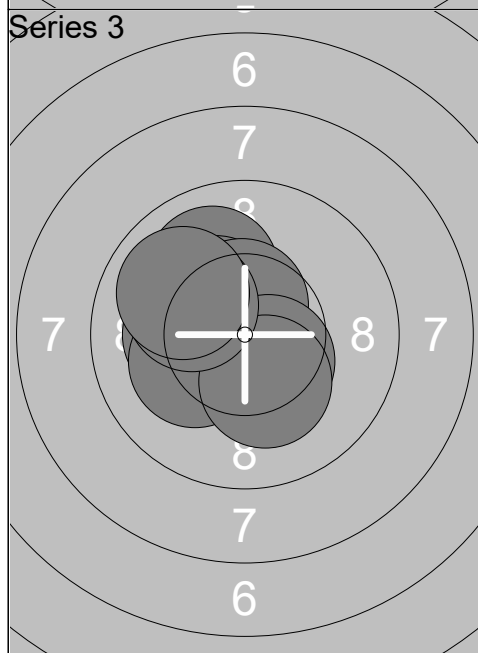
17.02.2023	DENMARK OPEN AIR 2023 DAY1	Danmark Open Air 2023
------------	----------------------------	-----------------------



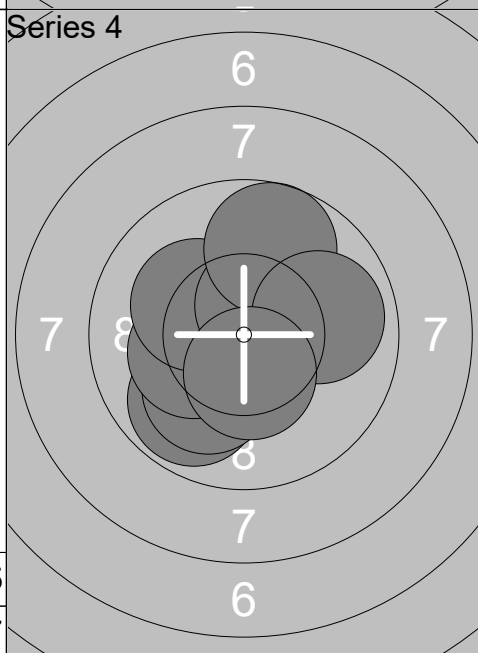
1:	9.2 ↖
2:	10.3x ↖
3:	9.7 ←
4:	10.0 ↑
5:	10.0 →
6:	9.9 ↗
7:	9.7 ←
8:	10.8x ↗
9:	9.9 →
10:	10.5x ↑
Series	100.0
	100.0



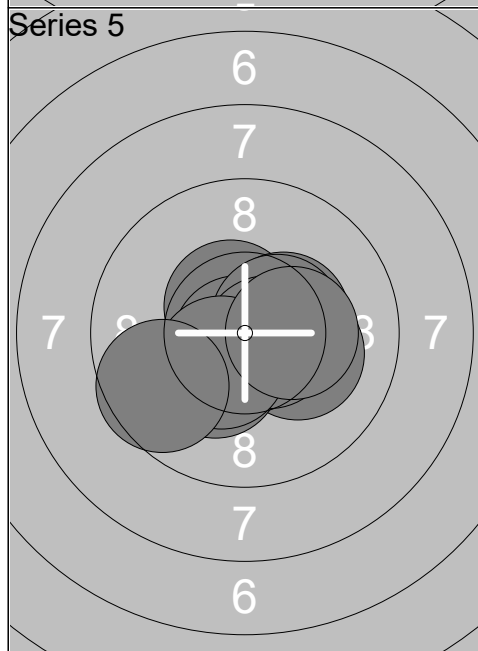
1:	10.1 ↗
2:	10.2x →
3:	10.0 →
4:	10.7x ↗
5:	10.3x →
6:	10.4x ↓
7:	10.0 ↑
8:	10.1 ↓
9:	9.6 →
10:	9.8 ↓
Series	101.2
	201.2



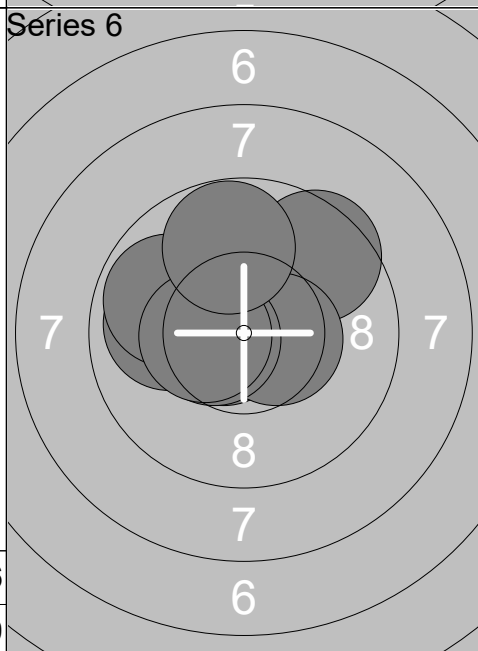
1:	10.0 ↗
2:	10.7x ↖
3:	10.3x ↖
4:	10.5x ↑
5:	10.2x ←
6:	10.2x ←
7:	10.4x ↓
8:	10.2x ↓
9:	10.1 ↖
10:	9.9 ↖
Series	102.5
	303.7



1:	10.5x ←
2:	9.8 ↓
3:	10.0 ↓
4:	10.4x ↑
5:	10.2x ←
6:	10.2x ↖
7:	10.5x ↗
8:	9.7 ↑
9:	9.9 →
10:	10.4x ↓
Series	101.6
	405.3



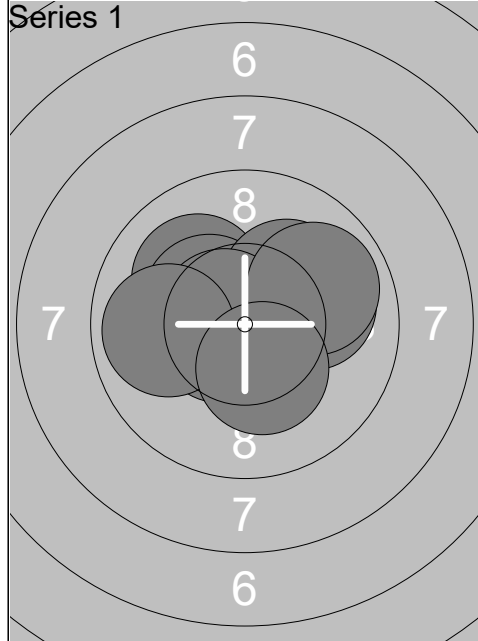
1:	10.5x ↖
2:	10.4x →
3:	10.8x ↓
4:	10.2x →
5:	10.3x ↓
6:	10.5x →
7:	10.6x →
8:	10.4x ↓
9:	10.3x →
10:	9.6 ←
Series	103.6
	508.9



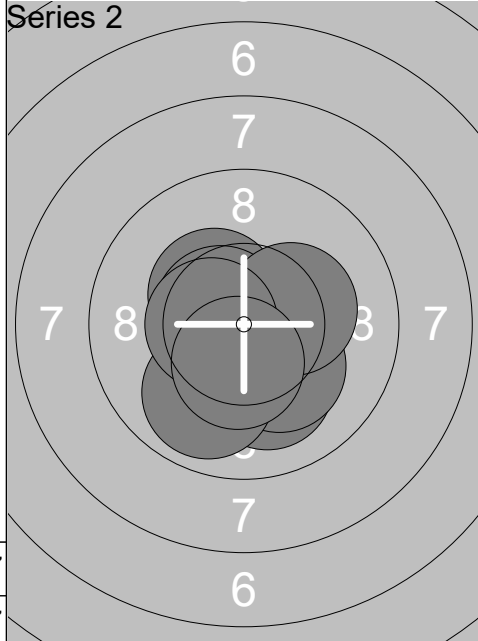
1:	9.5 ↗
2:	10.6x ↖
3:	9.9 ←
4:	10.7x ←
5:	10.9x
6:	10.5x →
7:	10.5x ←
8:	9.8 ←
9:	10.4x ←
10:	9.8 ↑
Series	102.6
	611.5

Relay	Lane	Sara Alexis			
4	7	DEN		WJ	Rifle
17.02.2023		DENMARK OPEN AIR 2023 DAY1		Danmark Open Air 2023	
Series 1 	1: 10.3x ↑	Series 2 	1: 10.2x ↑		
	2: 10.3x ↑		2: 10.6x ↓		
	3: 9.8 ↑		3: 10.5x →		
	4: 9.8 ↖		4: 10.3x ↑		
	5: 10.2x ↗		5: 10.4x ↖		
	6: 10.1 ←		6: 10.9x ↖		
	7: 10.2x ↖		7: 10.5x ↙		
	8: 10.1 ↓		8: 10.6x ↑		
	9: 10.5x ↘		9: 10.4x ↑		
	10: 10.2x ↖		10: 10.8x ↑		
	Series 101.5		Series 105.2		
	101.5		206.7		
Series 3 	1: 10.3x ↙	Series 4 	1: 10.4x ↖		
	2: 10.0 ↑		2: 9.6 ↖		
	3: 10.3x ↑		3: 10.2x →		
	4: 10.5x →		4: 10.4x ↖		
	5: 10.8x ↖		5: 10.2x ↑		
	6: 10.3x ↓		6: 10.7x ↖		
	7: 10.5x ↖		7: 10.3x ↖		
	8: 10.8x ↙		8: 10.4x ↙		
	9: 10.5x ↑		9: 9.9 ↖		
	10: 10.6x ↑		10: 10.6x ↗		
	Series 104.6		Series 102.7		
	311.3		414.0		
Series 5 	1: 10.1 ↖	Series 6 	1: 10.8x ↖		
	2: 10.0 ↖		2: 10.0 ↗		
	3: 10.2x ↗		3: 10.3x ↗		
	4: 10.4x ↑		4: 10.4x ↑		
	5: 10.8x ↗		5: 10.3x ↑		
	6: 9.9 ↖		6: 10.3x ↖		
	7: 10.3x ↖		7: 9.7 ↖		
	8: 10.5x ↗		8: 10.7x ↖		
	9: 10.7x ↘		9: 9.9 ↓		
	10: 9.8 ↑		10: 10.7x ↘		
	Series 102.7		Series 103.1		
	516.7		619.8		

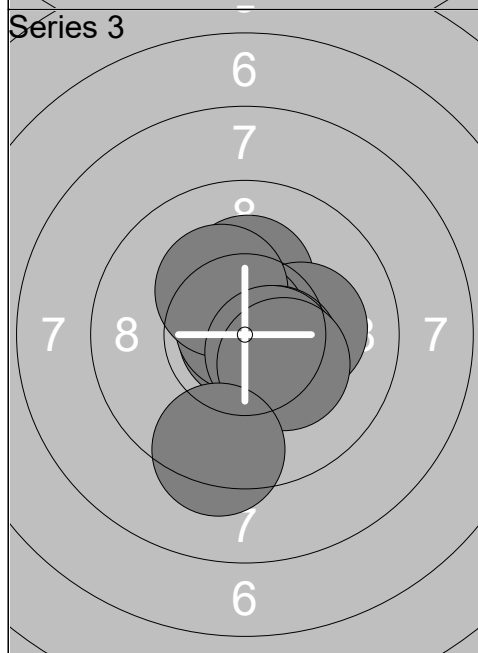
Relay	Lane	Lucile H�elard			
4	8	FRA		WJ	Rifle
17.02.2023		DENMARK OPEN AIR 2023 DAY1		Danmark Open Air 2023	
Series 1 	1: 10.5x ↗	Series 2 	1: 10.8x ↗		
	2: 10.1 ↗		2: 10.4x ↗		
	3: 10.2x ←		3: 10.7x ↑		
	4: 10.3x ↘		4: 10.6x ↘		
	5: 10.3x ↘		5: 10.8x ↓		
	6: 10.8x ↖		6: 10.3x ↙		
	7: 10.7x ↑		7: 10.4x ↑		
	8: 10.3x →		8: 10.6x ↖		
	9: 9.7 ↖		9: 10.3x ↗		
	10: 10.0 ↗		10: 10.6x ↖		
	Series 102.9		Series 105.5		
	102.9		208.4		
Series 3 	1: 10.7x ↓	Series 4 	1: 10.6x ↘		
	2: 10.7x ↖		2: 10.5x ↘		
	3: 10.3x ↑		3: 10.9x ↑		
	4: 10.8x ←		4: 10.7x →		
	5: 10.5x ↗		5: 10.7x ↓		
	6: 10.3x ←		6: 10.7x ↑		
	7: 10.3x ↓		7: 10.7x ↓		
	8: 10.8x ↘		8: 10.2x ↓		
	9: 10.6x ↗		9: 10.8x ↖		
	10: 10.5x ↙		10: 10.1 ↘		
	Series 105.5		Series 105.9		
	313.9		419.8		
Series 5 	1: 10.6x ↓	Series 6 	1: 10.5x ←		
	2: 10.1 ↑		2: 10.1 ↘		
	3: 10.7x ↗		3: 10.7x ↓		
	4: 10.7x ↖		4: 9.7 ↑		
	5: 10.3x ↓		5: 10.7x ↓		
	6: 10.5x ↓		6: 10.7x ↙		
	7: 10.5x →		7: 10.3x ←		
	8: 10.8x ↓		8: 10.6x ←		
	9: 10.2x ↗		9: 10.6x ↑		
	10: 10.7x ↓		10: 10.5x ↑		
	Series 105.1		Series 104.4		
	524.9		629.3		



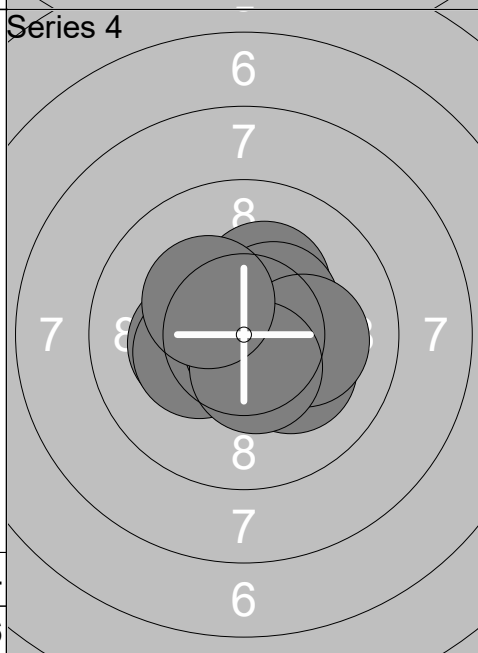
1:	10.1 ↖
2:	10.8x →
3:	10.3x ↖
4:	10.6x ↙
5:	10.0 →
6:	10.2x ↗
7:	10.6x ↖
8:	9.9 →
9:	9.9 ←
10:	10.3x ↓
Series	102.7
	102.7



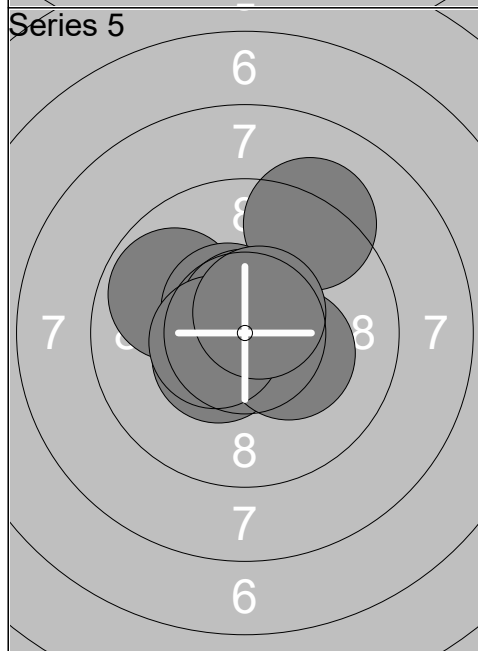
1:	10.6x ↖
2:	10.1 ↓
3:	10.5x ↘
4:	10.2x ↘
5:	10.4x ↗
6:	10.6x ↖
7:	10.3x →
8:	9.9 ↓
9:	10.5x ←
10:	10.4x ↓
Series	103.5
	206.2



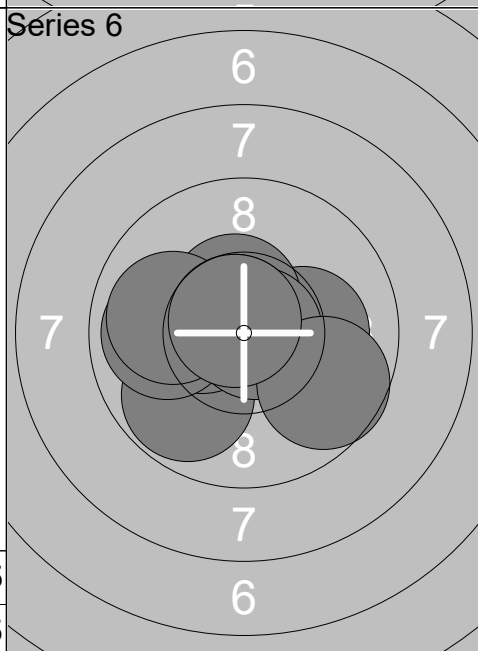
1:	10.2x ↑
2:	10.2x →
3:	10.5x ↘
4:	10.9x
5:	10.8x ↑
6:	10.3x ↗
7:	10.4x ↘
8:	10.5x ↘
9:	10.3x ↘
10:	9.3 ↓
Series	103.4
	309.6



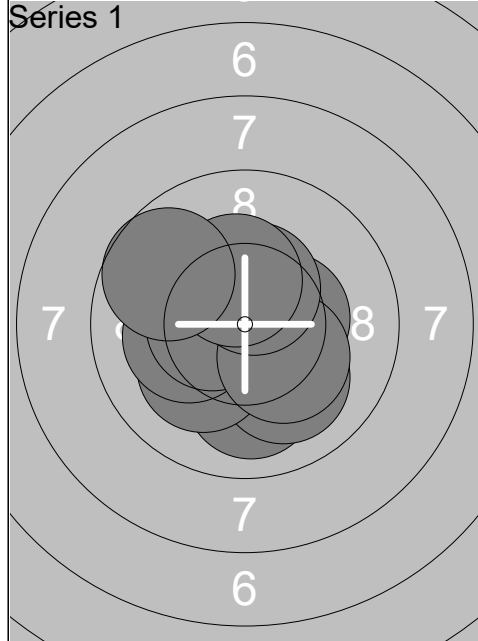
1:	10.5x ←
2:	10.2x ←
3:	10.3x ←
4:	10.1 ↘
5:	10.2x ↗
6:	10.8x ↘
7:	10.4x ↗
8:	10.1 →
9:	10.5x ↓
10:	10.3x ↖
Series	103.4
	413.0



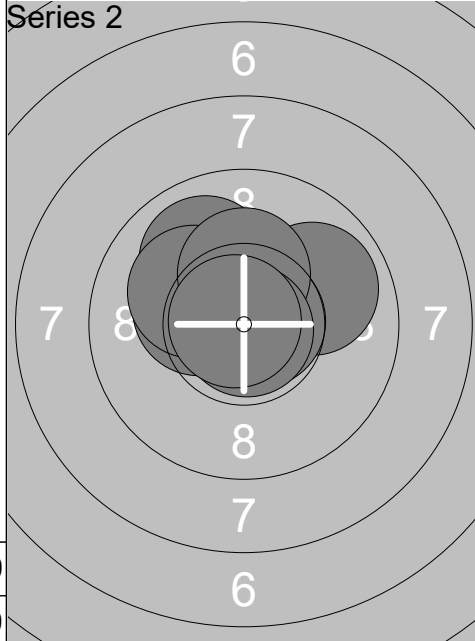
1:	9.2 ↗
2:	9.8 ↖
3:	10.7x ↖
4:	10.7x ↗
5:	10.5x ↖
6:	10.5x ↙
7:	10.3x ↘
8:	10.7x ↑
9:	10.5x ←
10:	10.6x ↗
Series	103.5
	516.5



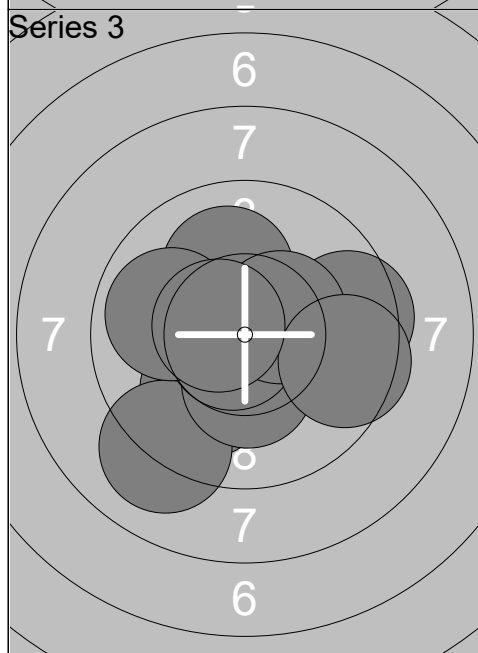
1:	10.1 →
2:	9.8 ↙
3:	10.5x ↑
4:	10.4x ←
5:	10.7x ↖
6:	10.8x →
7:	9.9 ←
8:	9.9 ←
9:	9.6 ↘
10:	10.7x ↖
Series	102.4
	618.9



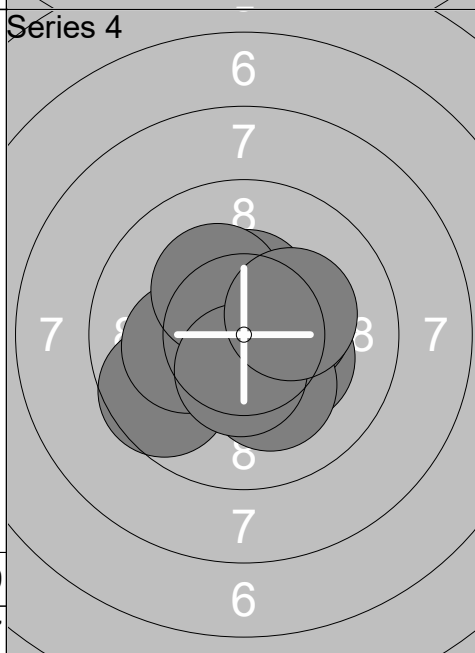
1:	10.4x →
2:	10.0 ↓
3:	10.1 ↓
4:	10.1 ↙
5:	10.2x ←
6:	10.5x ←
7:	10.2x ↘
8:	10.4x ↑
9:	10.3x ↑
10:	9.7 ↖
Series	101.9
	101.9



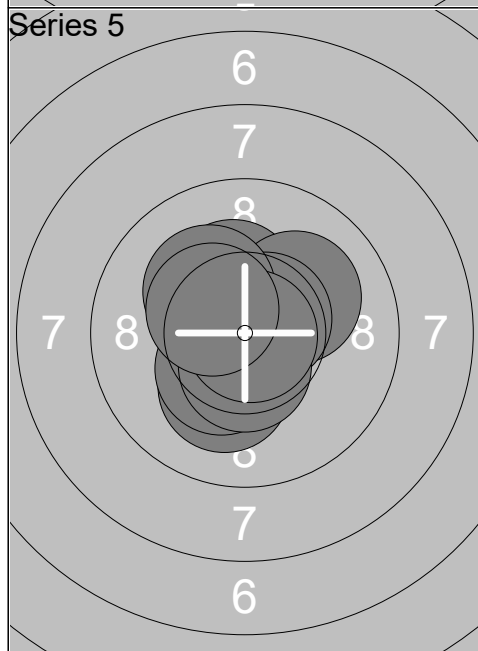
1:	10.2x ↖
2:	10.3x ←
3:	10.9x →
4:	9.9 ↗
5:	9.9 ↗
6:	10.1 ↖
7:	10.7x →
8:	10.3x ↑
9:	10.8x ↓
10:	10.8x ←
Series	103.9
	205.8



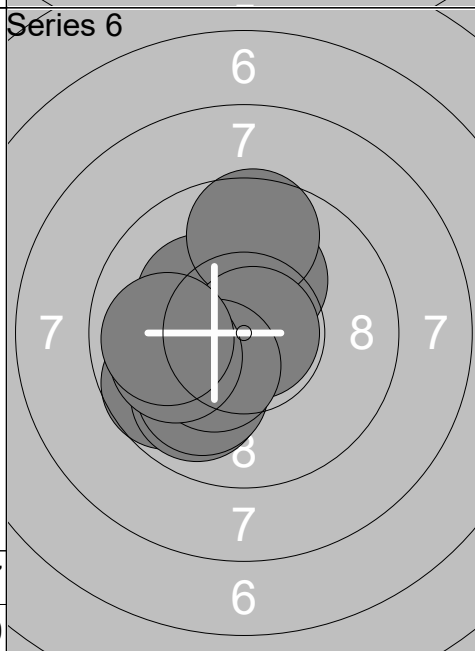
1:	10.0 ↑
2:	9.5 →
3:	10.0 ↓
4:	9.1 ↓
5:	10.3x ↓
6:	10.7x ←
7:	10.4x →
8:	9.5 →
9:	9.9 ←
10:	10.5x ←
Series	99.9
	305.7



1:	9.6 ↖
2:	10.3x ↘
3:	10.4x →
4:	10.7x ↖
5:	10.2x ↓
6:	10.2x ←
7:	10.4x ↑
8:	10.2x ↖
9:	10.4x ↓
10:	10.2x →
Series	102.6
	408.3

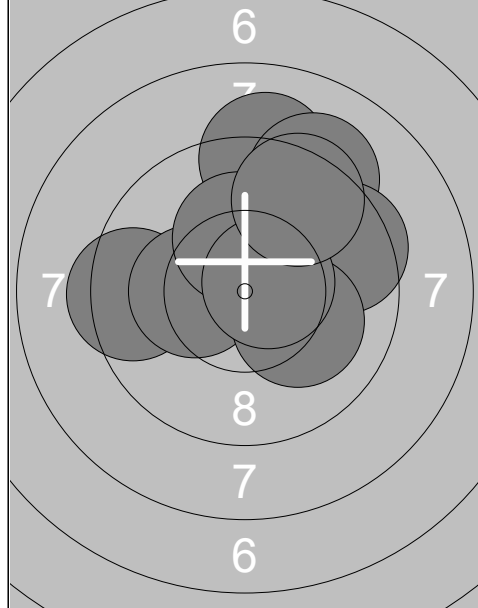


1:	10.1 ↓
2:	10.4x ↘
3:	10.3x ↘
4:	10.3x ↑
5:	10.1 ↗
6:	10.6x ↗
7:	10.5x ↓
8:	10.2x ↖
9:	10.8x →
10:	10.4x ↖
Series	103.7
	512.0

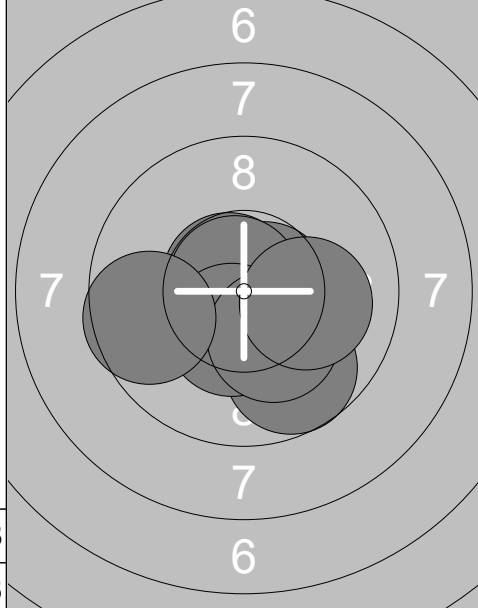


1:	10.2x ↑
2:	10.2x ↖
3:	9.7 ↖
4:	9.6 ↑
5:	9.9 ↓
6:	10.8x →
7:	10.0 ↓
8:	10.3x ↘
9:	10.0 ←
10:	9.9 ←
Series	100.6
	612.6

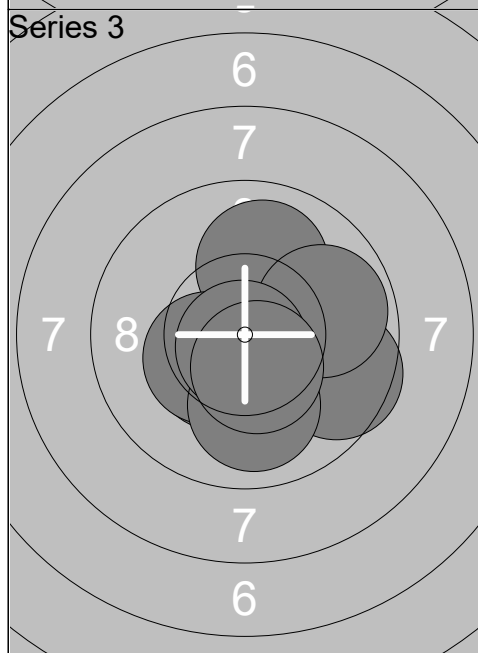
Relay	Lane	Isabel De Vries		
4	12			
1 Air Qualification		NED		WJ Rifle
17.02.2023		DENMARK OPEN AIR 2023 DAY1		Danmark Open Air 2023
Series 1 	1: 9.9 →	Series 2 	1: 10.6x ↘	
	2: 9.3 ←		2: 9.7 ←	
	3: 10.2x →		3: 10.7x ↑	
	4: 9.1 →		4: 9.8 ←	
	5: 10.2x ↗		5: 10.7x →	
	6: 10.5x ←		6: 8.9 ↗	
	7: 10.2x ↖		7: 9.8 ←	
	8: 10.2x ←		8: 9.9 ↑	
	9: 10.3x ↘		9: 9.8 ↖	
	10: 10.6x →		10: 10.3x →	
	Series 100.5		Series 100.2	
	100.5		200.7	
Series 3 	1: 10.7x ↖	Series 4 	1: 10.5x ↘	
	2: 10.2x ↓		2: 10.0 ↓	
	3: 10.2x ↖		3: 10.0 ↓	
	4: 9.9 →		4: 10.6x →	
	5: 9.9 →		5: 10.0 ←	
	6: 9.9 ↗		6: 10.7x ↑	
	7: 10.2x ↘		7: 9.9 ←	
	8: 10.2x ↘		8: 9.4 →	
	9: 10.6x ←		9: 10.1 →	
	10: 10.0 ←		10: 9.4 →	
	Series 101.8		Series 100.6	
	302.5		403.1	
Series 5 	1: 10.4x ↖	Series 6 	1: 10.2x ↖	
	2: 10.2x →		2: 10.1 ↑	
	3: 10.3x ↗		3: 10.1 →	
	4: 10.4x ↘		4: 10.5x →	
	5: 10.2x ←		5: 10.6x ←	
	6: 10.1 →		6: 10.1 ↓	
	7: 10.6x ↗		7: 10.7x ←	
	8: 10.4x ↘		8: 10.6x ↓	
	9: 10.9x ↘		9: 10.2x ↗	
	10: 10.0 ↖		10: 10.7x ↖	
	Series 103.5		Series 103.8	
	506.6		610.4	



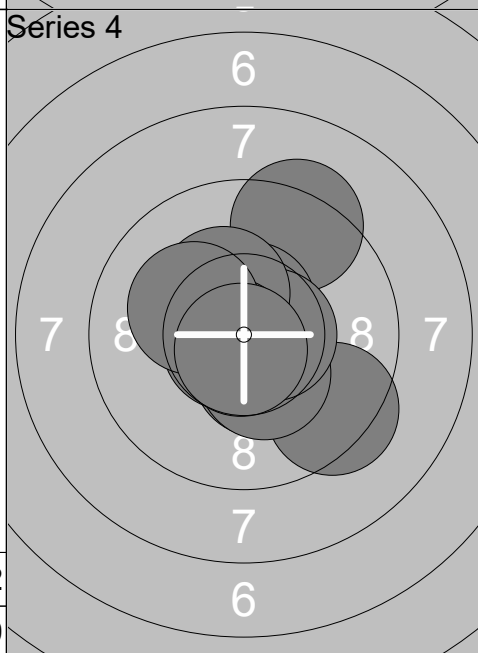
1:	9.4	←
2:	10.2x	←
3:	9.1	↑
4:	10.0	→
5:	10.2x	↑
6:	9.2	↗
7:	9.5	→
8:	10.1	↘
9:	10.6x	→
10:	9.5	↗
Series	97.8	
	97.8	



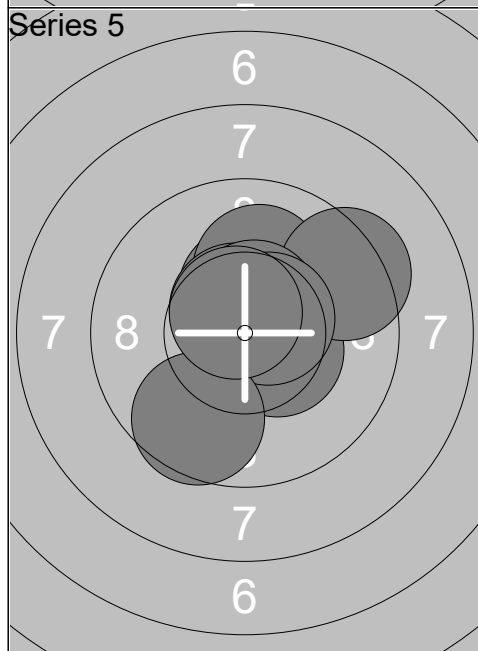
1:	10.3x	↘
2:	9.7	↘
3:	10.6x	↗
4:	10.6x	↓
5:	10.6x	→
6:	10.8x	↗
7:	10.4x	↓
8:	10.2x	↘
9:	9.6	←
10:	10.1	→
Series	102.9	
	200.7	



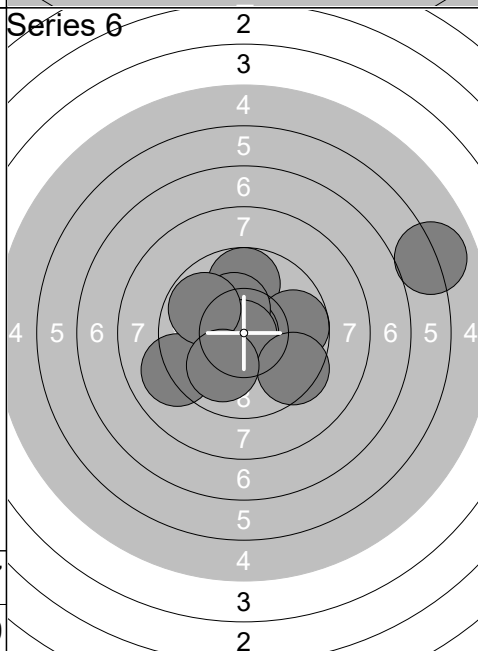
1:	10.4x	↘
2:	10.0	↑
3:	10.1	→
4:	10.3x	↙
5:	10.6x	↘
6:	9.6	→
7:	9.9	→
8:	10.0	↓
9:	10.8x	↘
10:	10.5x	↘
Series	102.2	
	302.9	



1:	9.3	↗
2:	9.4	↘
3:	10.4x	↘
4:	10.3x	↘
5:	10.5x	↑
6:	10.6x	→
7:	10.3x	↗
8:	10.7x	↙
9:	10.1	↖
10:	10.7x	↘
Series	102.3	
	405.2	

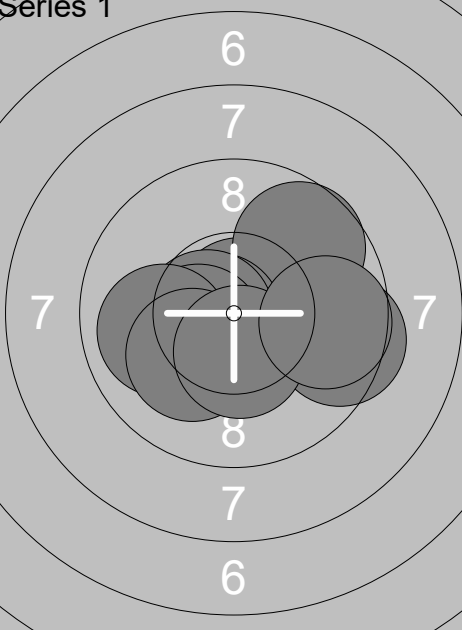
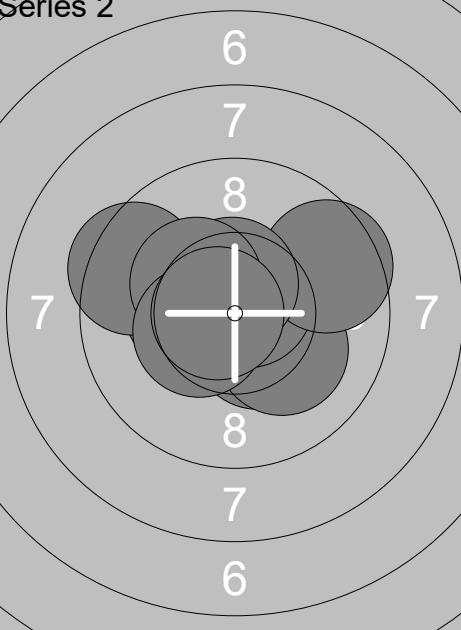
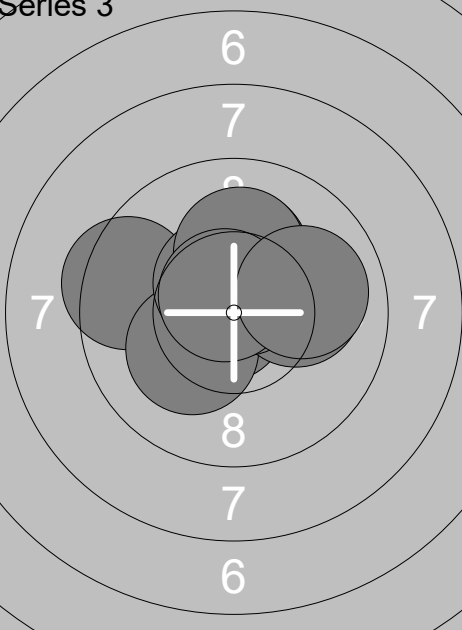
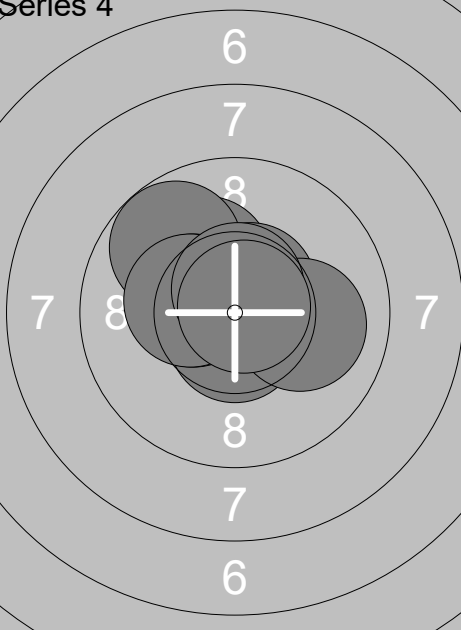
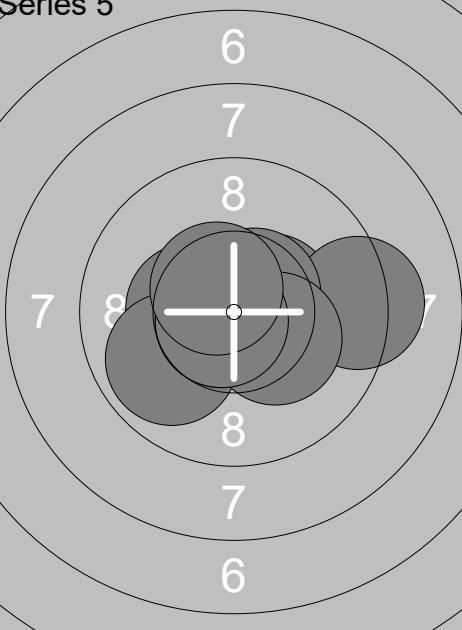
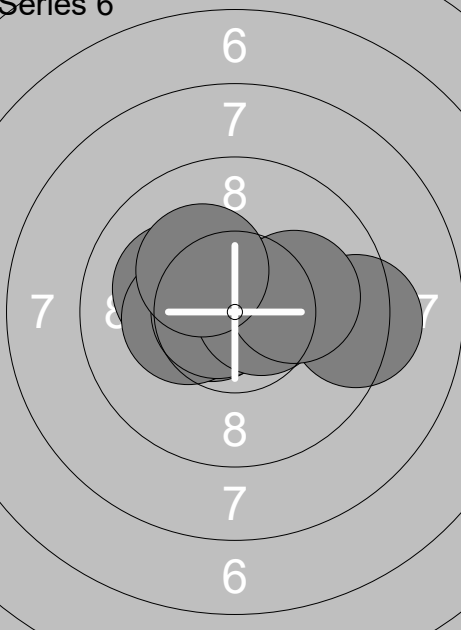


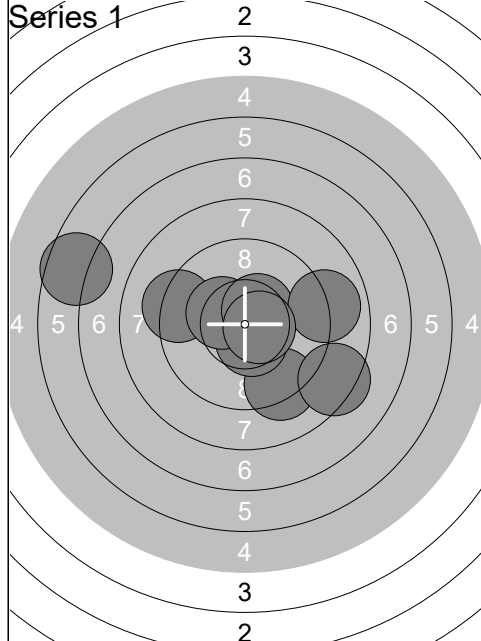
1:	10.4x	↑
2:	10.1	↑
3:	10.6x	↗
4:	10.7x	→
5:	10.4x	→
6:	9.3	↗
7:	10.5x	↑
8:	10.5x	→
9:	9.6	↘
10:	10.6x	↗
Series	102.7	
	507.9	



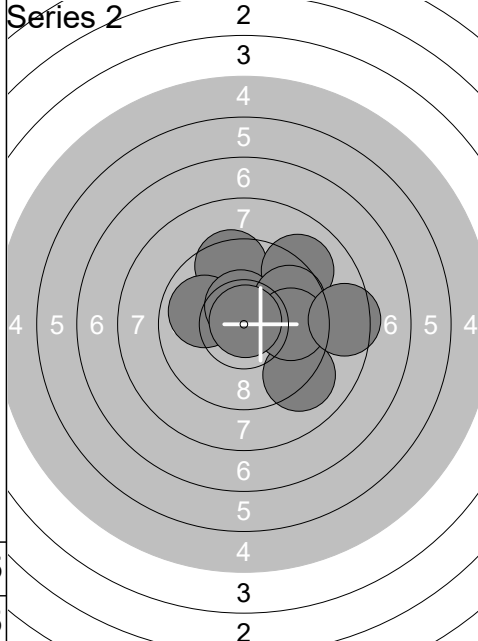
1:	9.7	↑
2:	9.0	↖
3:	9.7	→
4:	10.9x	←
5:	10.3x	↗
6:	10.8x	↙
7:	9.5	↘
8:	9.8	↖
9:	10.0	↘
10:	6.0	→
Series	95.7	
	603.6	

17.02.2023	DENMARK OPEN AIR 2023 DAY1	Danmark Open Air 2023
------------	----------------------------	-----------------------

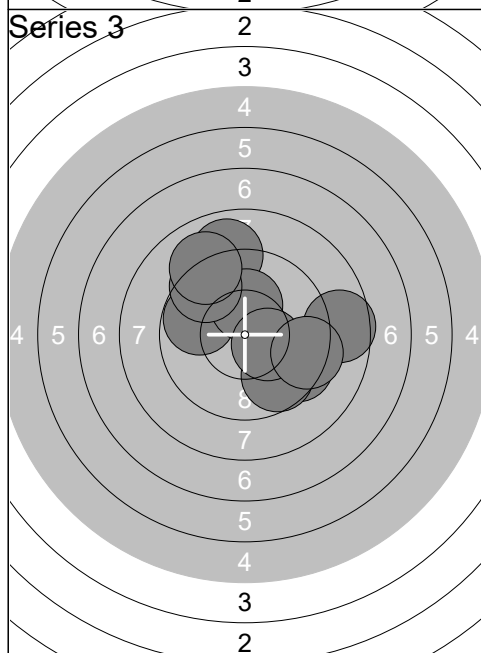
Series 1 	1: 10.8x ↗ 2: 9.7 ↗ 3: 10.7x ← 4: 9.5 → 5: 10.6x ← 6: 10.4x ← 7: 9.9 ← 8: 10.1 ↘ 9: 10.4x ↓ 10: 9.7 → Series 101.8 101.8	Series 2 	1: 10.3x ← 2: 10.4x ↓ 3: 10.1 ↘ 4: 10.7x ↗ 5: 9.5 ↗ 6: 9.4 ← 7: 10.5x ↑ 8: 10.3x ↘ 9: 10.4x ↙ 10: 10.7x ← Series 102.3 204.1
Series 3 	1: 10.8x ← 2: 9.4 ← 3: 10.2x ↙ 4: 10.5x ↗ 5: 10.2x ↑ 6: 10.1 → 7: 10.6x ↗ 8: 10.1 ↑ 9: 10.6x ↗ 10: 10.0 → Series 102.5 306.6	Series 4 	1: 10.6x ↗ 2: 10.6x ↓ 3: 10.1 ↗ 4: 10.6x ↗ 5: 9.7 ↗ 6: 10.4x ← 7: 10.0 → 8: 10.3x ← 9: 10.6x ↑ 10: 10.8x ↗ Series 103.7 410.3
Series 5 	1: 10.4x → 2: 10.8x ↘ 3: 10.4x ← 4: 9.3 → 5: 9.9 ← 6: 10.6x ↗ 7: 10.7x ↙ 8: 10.3x ↘ 9: 10.7x ↙ 10: 10.5x ↗ Series 103.6 513.9	Series 6 	1: 10.2x ← 2: 9.3 → 3: 10.6x ← 4: 10.1 ← 5: 10.3x ← 6: 10.7x ↗ 7: 10.7x ← 8: 10.6x → 9: 10.1 → 10: 10.2x ↗ Series 102.8 616.7



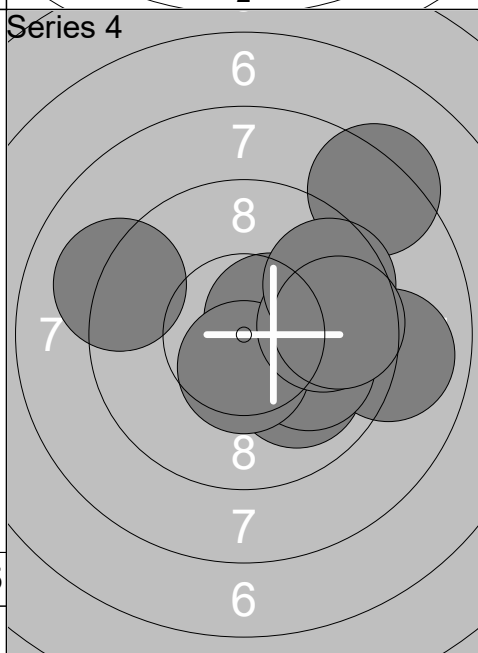
1:	9.2	←
2:	9.2	↓
3:	10.6x	→
4:	10.5x	↓
5:	10.3x	↖
6:	8.3	↓
7:	10.4x	↗
8:	8.9	→
9:	6.6	←
10:	10.5x	→
Series	94.5	
	94.5	



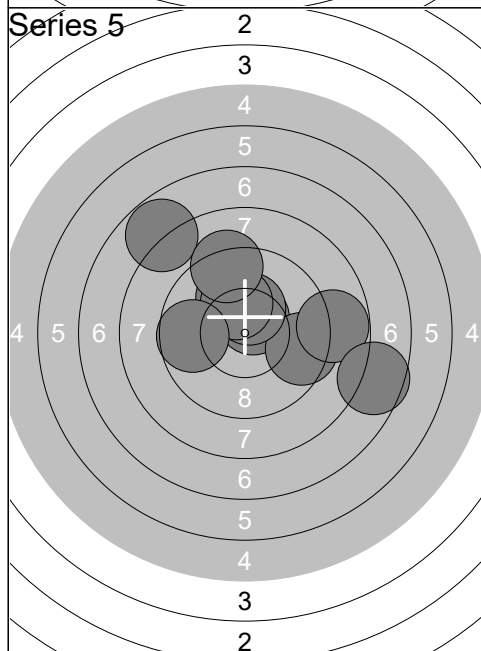
1:	10.3x	↑
2:	9.5	↑
3:	9.0	↗
4:	9.9	←
5:	9.1	↓
6:	10.5x	↑
7:	9.7	↗
8:	9.8	→
9:	8.5	→
10:	10.8x	↗
Series	97.1	
	191.6	



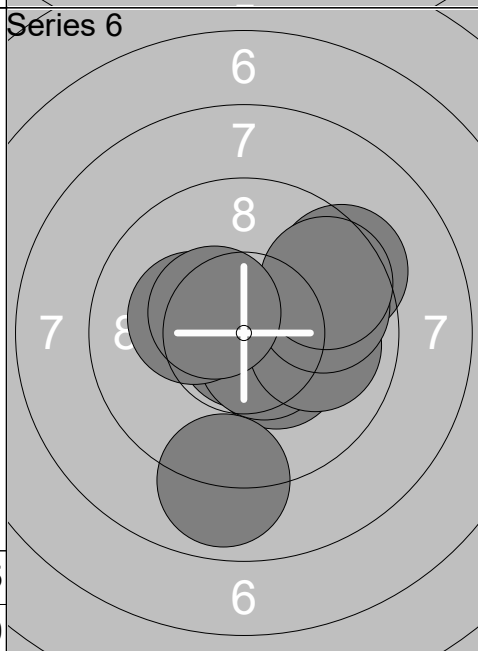
1:	9.4	↘
2:	8.9	↑
3:	9.7	←
4:	9.7	↓
5:	8.6	→
6:	10.2x	↑
7:	10.3x	→
8:	9.4	↗
9:	9.3	↘
10:	9.0	↗
Series	94.5	
	286.1	



1:	10.0	↘
2:	10.5x	↗
3:	8.9	→
4:	8.3	↗
5:	9.9	↘
6:	10.5x	↓
7:	9.9	→
8:	9.6	↗
9:	9.7	→
10:	9.1	←
Series	96.4	
	382.5	

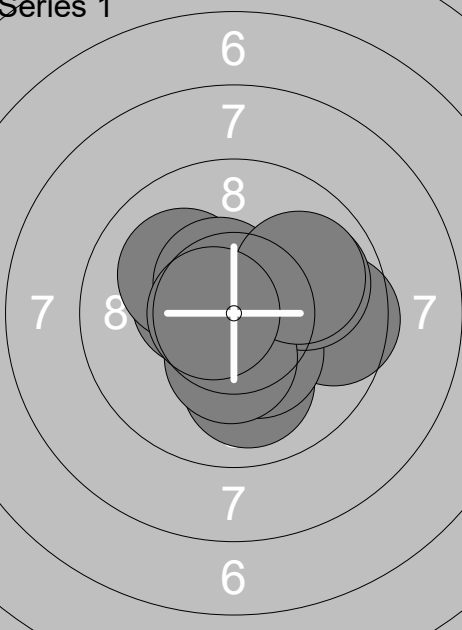
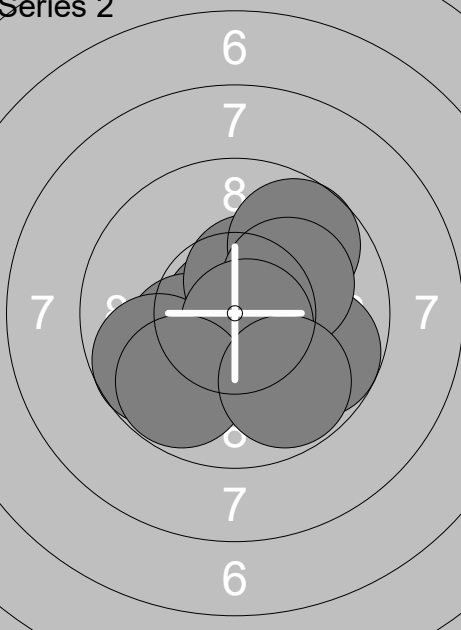
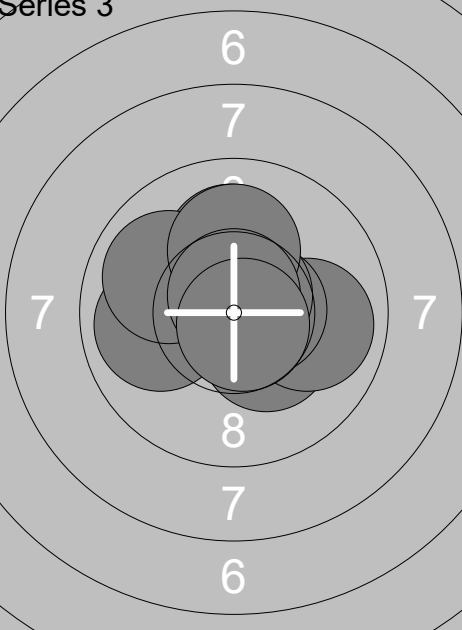
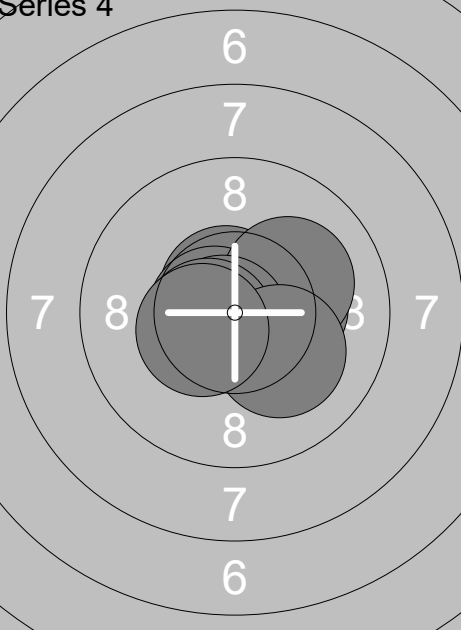
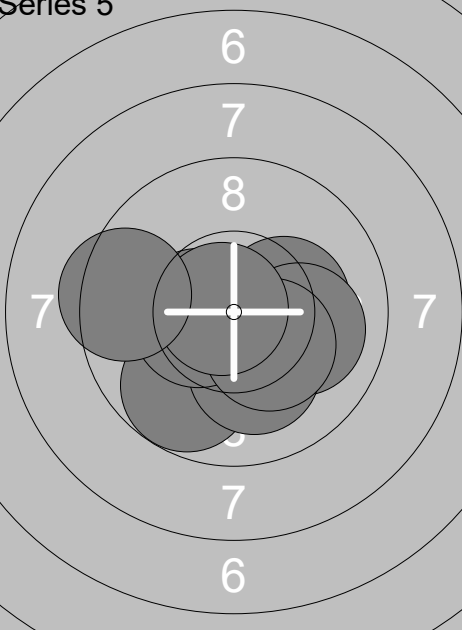
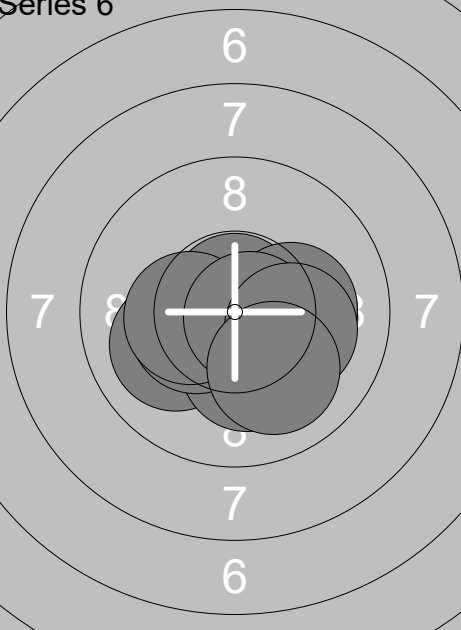


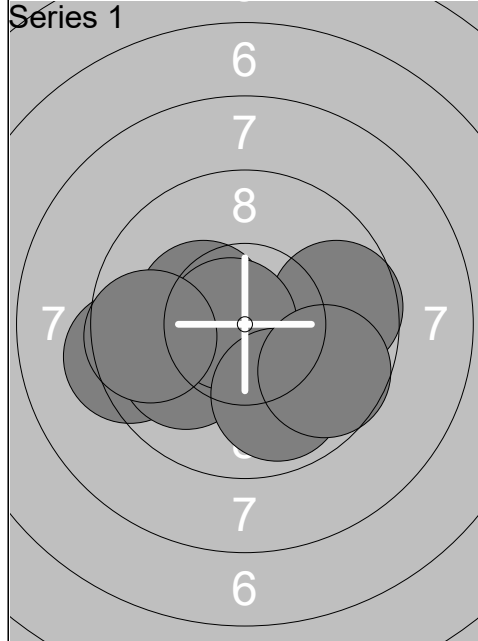
1:	10.5x	↗
2:	9.5	→
3:	10.0	↑
4:	8.8	→
5:	7.8	↗
6:	10.3x	↑
7:	10.2x	↑
8:	9.6	←
9:	9.2	↑
10:	7.6	→
Series	93.5	
	476.0	



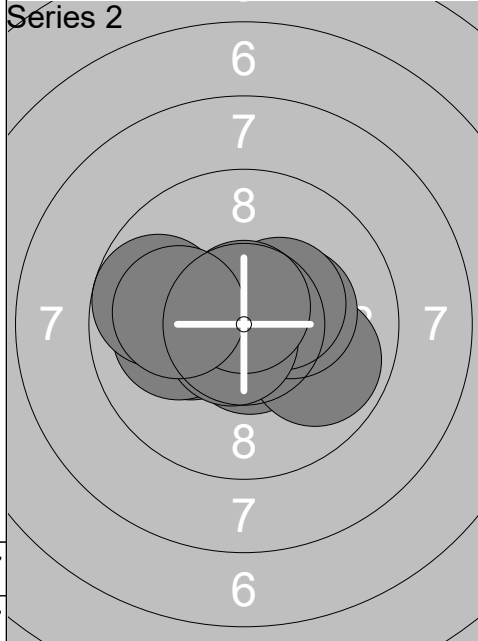
1:	10.3x	↘
2:	10.8x	↓
3:	9.4	↗
4:	8.9	↓
5:	10.5x	↘
6:	9.9	→
7:	9.8	↗
8:	10.2x	↖
9:	9.6	↗
10:	10.4x	↖
Series	99.8	
	575.8	

17.02.2023	DENMARK OPEN AIR 2023 DAY1	Danmark Open Air 2023
------------	----------------------------	-----------------------

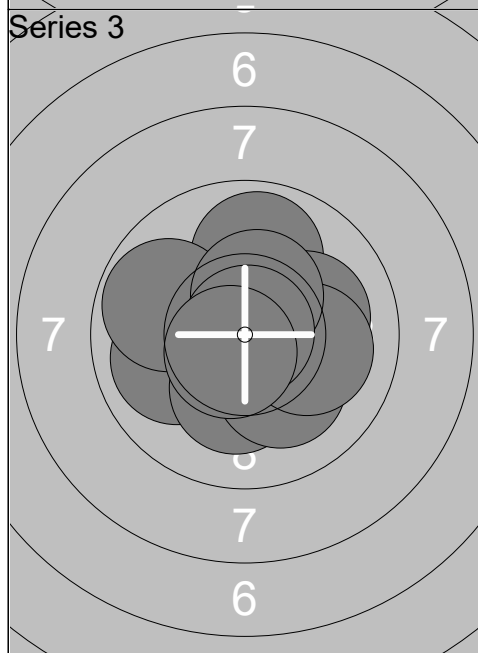
Series 1 	1: 10.4x ← 2: 10.1 ↖ 3: 10.0 ↓ 4: 10.5x ↗ 5: 9.6 → 6: 10.3x ↘ 7: 9.9 ↗ 8: 10.3x ↓ 9: 9.9 ↗ 10: 10.6x ← Series 101.6 101.6	Series 2 	1: 10.9x ← 2: 10.2x ↙ 3: 9.7 → 4: 10.4x ↗ 5: 9.7 ↗ 6: 10.1 ↗ 7: 9.7 ↙ 8: 10.7x ↘ 9: 9.8 ↙ 10: 9.8 ↘ Series 101.0 202.6
Series 3 	1: 10.3x ↘ 2: 9.9 → 3: 10.6x → 4: 10.6x ↗ 5: 9.9 ← 6: 10.1 ↑ 7: 9.9 ↖ 8: 10.1 ↑ 9: 10.7x ↑ 10: 10.7x ↘ Series 102.8 305.4	Series 4 	1: 10.8x ↖ 2: 10.3x → 3: 10.6x ↗ 4: 10.7x ← 5: 10.5x → 6: 10.1 ↗ 7: 10.7x ↙ 8: 10.5x ↙ 9: 10.1 ↘ 10: 10.4x ↙ Series 104.7 410.1
Series 5 	1: 10.8x ↓ 2: 10.2x → 3: 10.0 → 4: 9.7 ↘ 5: 10.4x ← 6: 10.1 ↓ 7: 10.4x ← 8: 10.3x ↘ 9: 10.8x ← 10: 9.4 ← Series 102.1 512.2	Series 6 	1: 10.0 ↙ 2: 10.8x ↑ 3: 10.2x → 4: 10.2x ↓ 5: 10.4x ← 6: 10.2x → 7: 10.3x ← 8: 10.7x → 9: 10.1 → 10: 10.0 ↘ Series 102.9 615.1



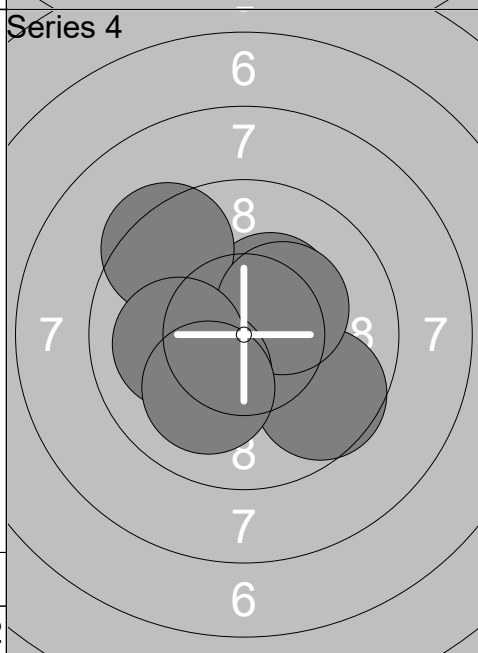
1:	10.0	↙
2:	9.3	←
3:	10.3x	↙
4:	10.5x	↓
5:	9.7	→
6:	10.0	↙
7:	10.7x	←
8:	9.9	↓
9:	9.7	↘
10:	9.6	←
Series	99.7	
	99.7	



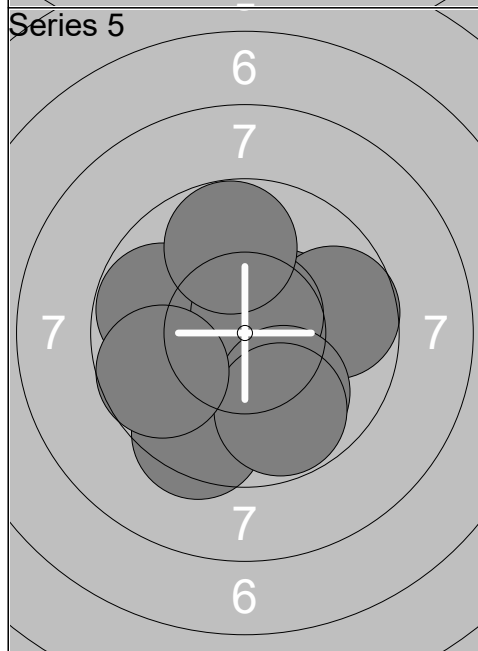
1:	10.6x	↓
2:	9.8	↘
3:	10.3x	→
4:	10.2x	←
5:	10.0	←
6:	10.4x	↗
7:	9.7	←
8:	10.7x	↙
9:	10.7x	↑
10:	10.0	←
Series	102.4	
	202.1	



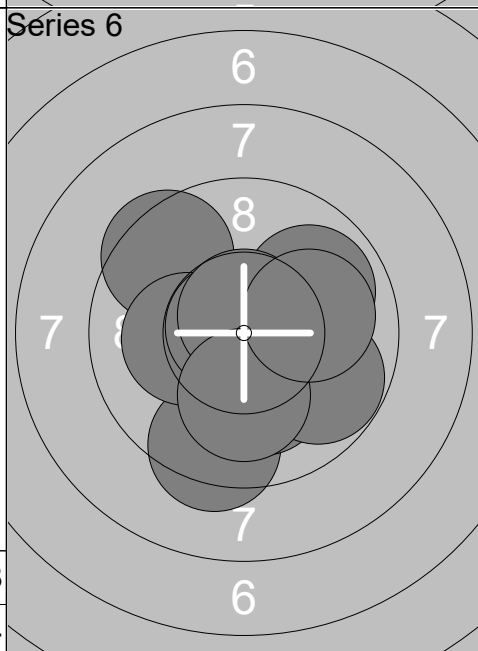
1:	10.0	←
2:	9.9	↑
3:	10.2x	↓
4:	10.1	↓
5:	10.1	→
6:	10.1	→
7:	9.8	←
8:	10.4x	↑
9:	10.9x	↗
10:	10.6x	↙
Series	102.1	
	304.2	



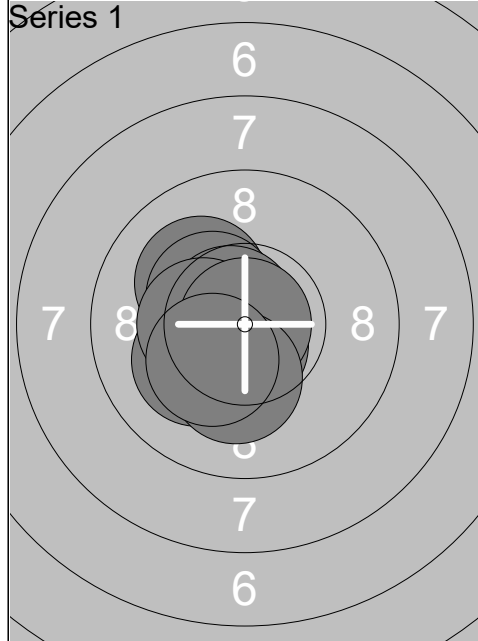
1:	10.3x	↙
2:	10.3x	↗
3:	10.7x	↓
4:	9.4	↖
5:	10.5x	→
6:	9.6	↘
7:	10.3x	↗
8:	10.2x	↙
9:	10.0	←
10:	10.1	↙
Series	101.4	
	405.6	



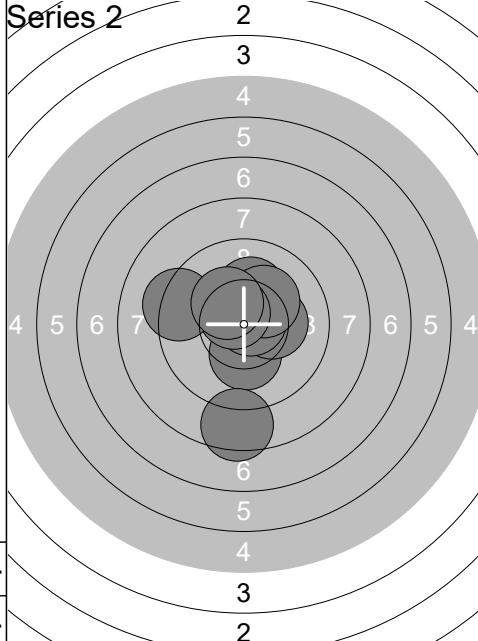
1:	10.7x	↗
2:	9.4	↓
3:	9.8	←
4:	10.4x	↗
5:	9.7	→
6:	10.6x	↗
7:	9.9	↓
8:	9.8	↓
9:	9.8	↑
10:	9.7	←
Series	99.8	
	505.4	



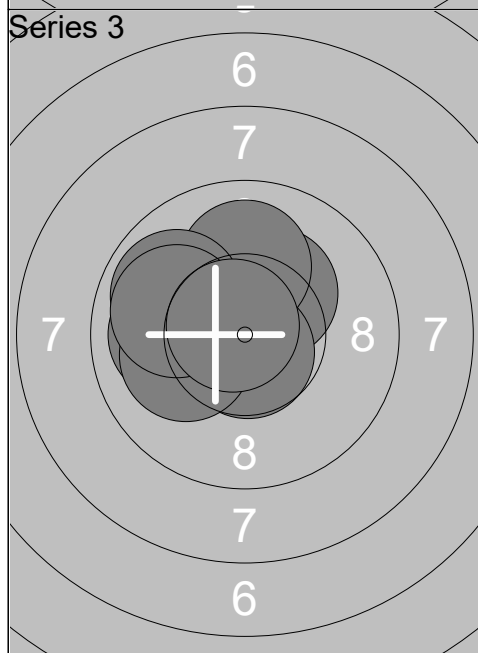
1:	9.4	↓
2:	9.5	↖
3:	10.2x	←
4:	10.1	↓
5:	9.9	↗
6:	10.7x	↙
7:	10.7x	↑
8:	9.8	↘
9:	10.1	↓
10:	10.0	→
Series	100.4	
	605.8	



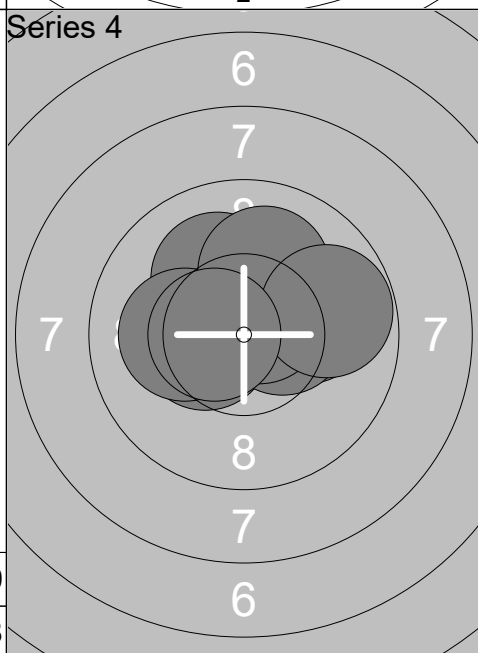
1:	10.6x ↙
2:	10.7x ↓
3:	10.1 ↖
4:	10.4x ↗
5:	10.1 ↙
6:	10.7x ↗
7:	10.4x ←
8:	10.9x
9:	10.2x ↓
10:	10.3x ↙
Series	104.4
	104.4



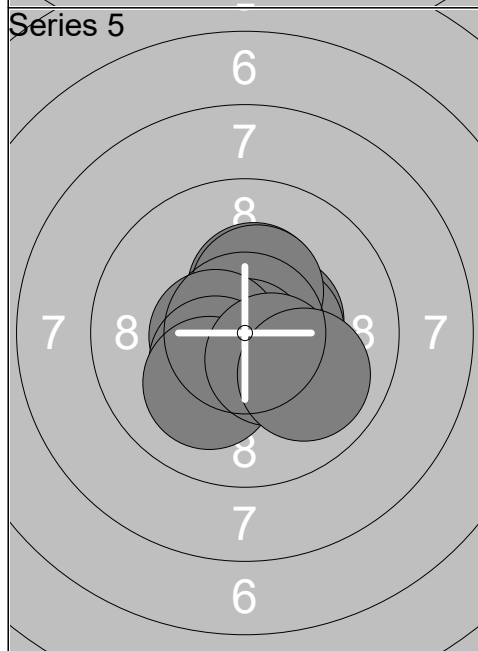
1:	10.1 ↑
2:	10.6x →
3:	10.2x ↓
4:	10.2x →
5:	10.7x ↗
6:	10.2x ↗
7:	10.5x ↖
8:	8.4 ↓
9:	9.3 ←
10:	10.3x ↖
Series	100.5
	204.9



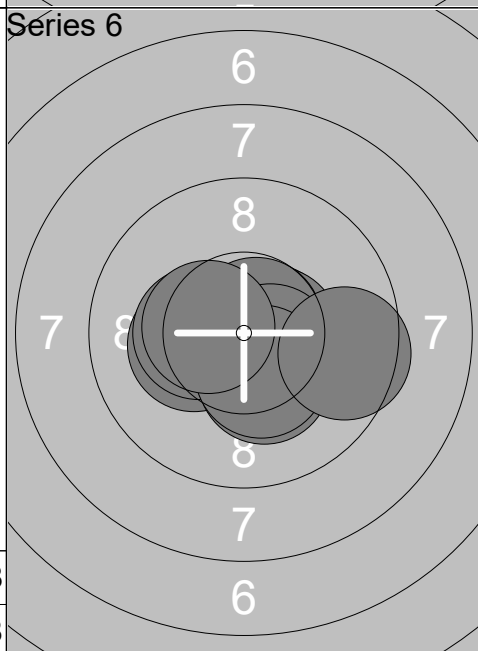
1:	10.9x ←
2:	10.3x ↗
3:	10.7x ↓
4:	10.0 ↑
5:	9.9 ↖
6:	10.3x ←
7:	10.0 ←
8:	10.1 ←
9:	10.0 ←
10:	10.7x ↖
Series	102.9
	307.8



1:	10.4x ←
2:	10.1 ↖
3:	10.1 ←
4:	10.3x ↗
5:	10.1 →
6:	10.4x →
7:	10.6x ↗
8:	10.0 ↑
9:	9.7 →
10:	10.5x ←
Series	102.2
	410.0



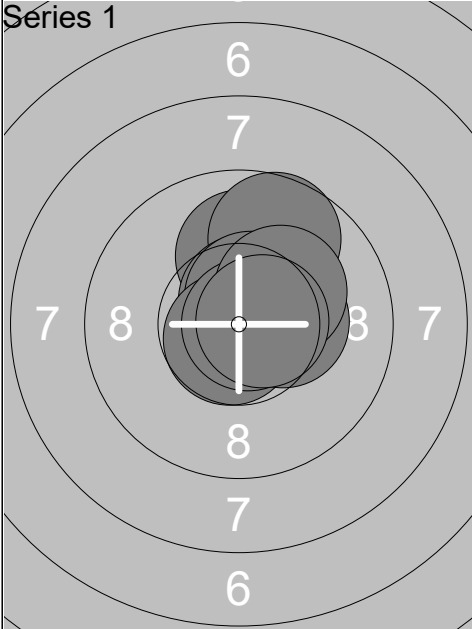
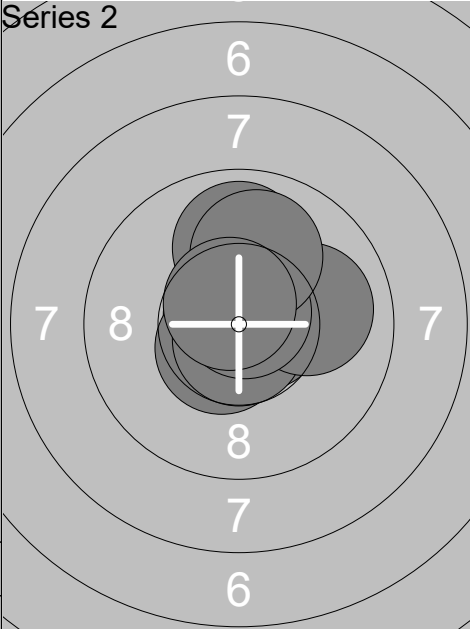
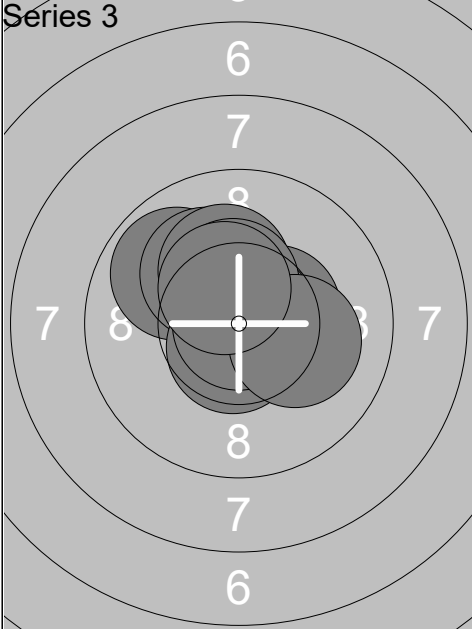
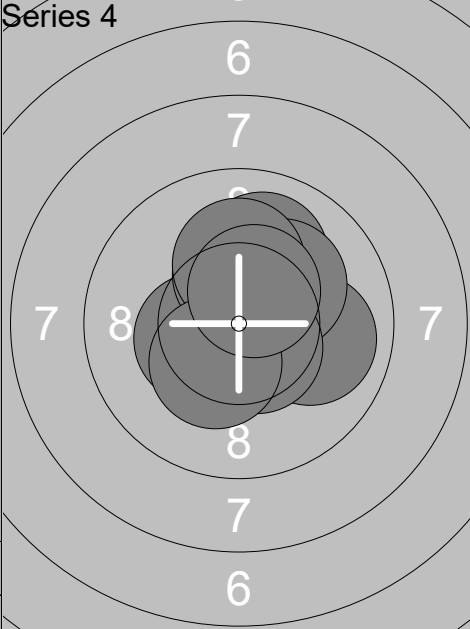
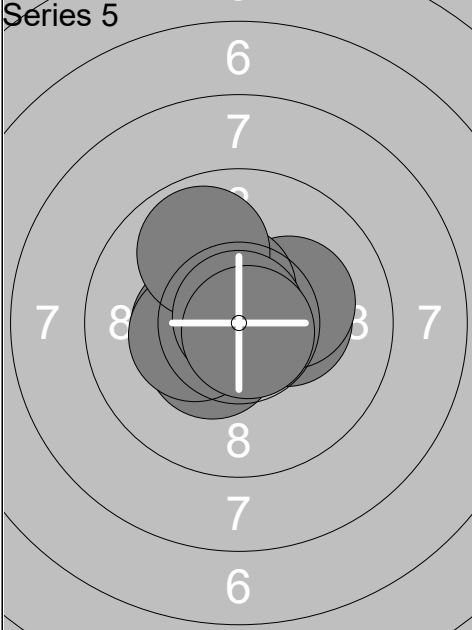
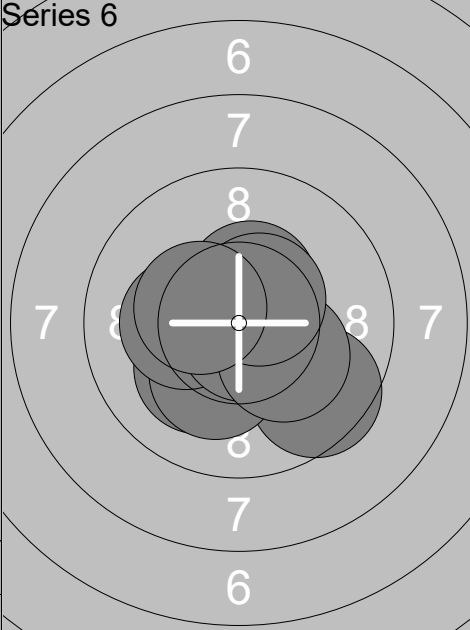
1:	10.4x →
2:	10.5x →
3:	10.3x ↑
4:	10.4x ↑
5:	10.8x ↓
6:	10.5x ←
7:	10.4x ↙
8:	10.1 ↓
9:	10.4x ↘
10:	10.0 ↘
Series	103.8
	513.8

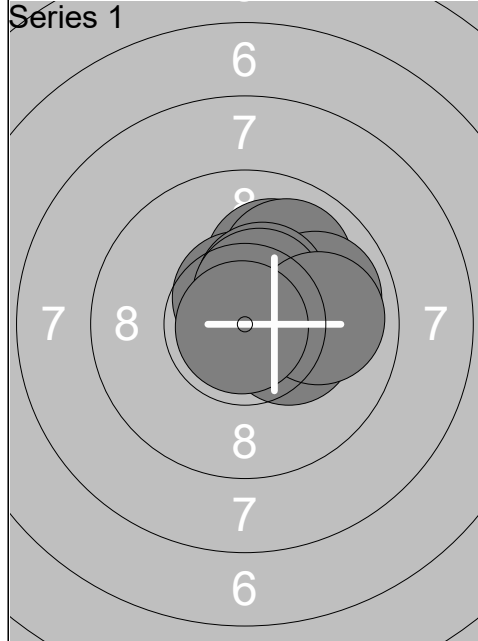


1:	10.6x →
2:	10.2x ←
3:	10.3x ←
4:	10.3x ↓
5:	10.5x →
6:	10.7x ↗
7:	10.5x ↘
8:	10.4x ↓
9:	9.5 →
10:	10.4x ←
Series	103.4
	617.2

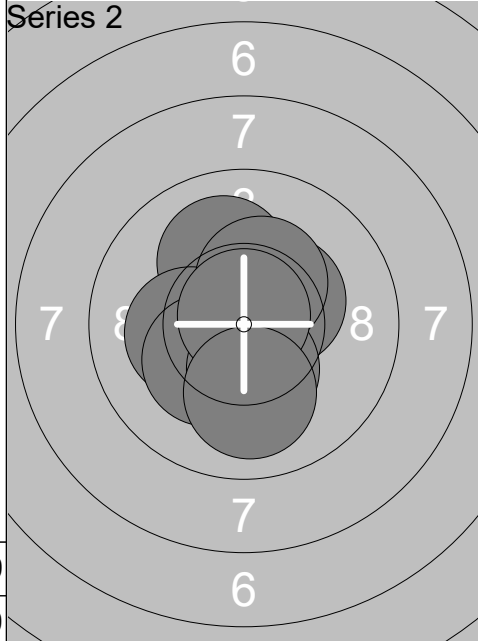
Relay	Lane	Mathilda Gustafsson			
4	20	SWE		WJ	Rifle
17.02.2023		DENMARK OPEN AIR 2023 DAY1		Danmark Open Air 2023	
Series 1 	1: 9.1 →	Series 2 	1: 10.4x ↙		
	2: 10.5x ←		2: 10.4x ←		
	3: 10.6x ↖		3: 10.2x ↑		
	4: 10.4x →		4: 10.8x ↑		
	5: 10.4x ↙		5: 10.3x →		
	6: 10.5x ←		6: 10.8x ↙		
	7: 10.6x ←		7: 10.2x ↘		
	8: 9.8 ↓		8: 10.4x →		
	9: 10.3x ↙		9: 10.6x →		
	10: 10.2x →		10: 10.5x ↙		
	Series 102.4	Series 104.6			
	102.4	207.0			
Series 3 	1: 10.4x ↙	Series 4 	1: 9.8 ↙		
	2: 10.6x ↑		2: 10.3x →		
	3: 10.5x →		3: 10.9x ↑		
	4: 10.6x ↘		4: 10.4x ↑		
	5: 10.4x ↘		5: 10.9x ↙		
	6: 10.1 →		6: 10.7x ↙		
	7: 10.5x ←		7: 10.5x ↘		
	8: 10.7x ↖		8: 10.5x ↗		
	9: 10.7x →		9: 10.3x ↗		
	10: 10.6x ↗		10: 10.7x ↑		
	Series 105.1	Series 105.0			
	312.1	417.1			
Series 5 	1: 10.4x →	Series 6 	1: 10.8x →		
	2: 10.1 ↓		2: 9.4 →		
	3: 8.9 ↘		3: 10.1 ↙		
	4: 10.5x ↗		4: 10.7x →		
	5: 10.8x →		5: 10.4x ↑		
	6: 10.4x →		6: 10.8x ↘		
	7: 10.6x ←		7: 10.0 ↗		
	8: 9.2 →		8: 10.4x ↓		
	9: 10.7x ↑		9: 10.1 ↓		
	10: 10.3x ↘		10: 9.9 ↘		
	Series 101.9	Series 102.6			
	519.0	621.6			

Relay	Lane	Matilde Hermann		
4	21	1 Air Qualification	DEN	WJ Rifle
17.02.2023		DENMARK OPEN AIR 2023 DAY1		Danmark Open Air 2023
Series 1 	1: 9.8 ↑	Series 2 	1: 10.0 →	
	2: 9.7 ←		2: 10.1 →	
	3: 10.0 →		3: 10.1 ↑	
	4: 10.3x →		4: 9.6 ↖	
	5: 9.7 ↗		5: 10.2x ←	
	6: 10.1 ↗		6: 10.0 ↗	
	7: 9.1 ↑		7: 10.4x ↓	
	8: 10.4x ↘		8: 9.3 →	
	9: 10.5x ↖		9: 10.1 →	
	10: 10.4x ↓		10: 10.6x ←	
	Series 100.0	Series 100.4		
	100.0	200.4		
Series 3 	1: 10.3x ←	Series 4 	1: 10.1 ↓	
	2: 10.7x ↖		2: 9.8 →	
	3: 10.6x ↑		3: 9.0 →	
	4: 10.1 ↗		4: 9.8 ↖	
	5: 9.3 ←		5: 10.5x ↖	
	6: 9.6 ←		6: 10.5x ↑	
	7: 9.8 ←		7: 9.3 →	
	8: 10.4x ↘		8: 10.3x ↑	
	9: 10.4x →		9: 9.6 ↑	
	10: 8.9 ↓		10: 10.2x ↗	
	Series 100.1	Series 99.1		
	300.5	399.6		
Series 5 	1: 9.6 ←	Series 6 	1: 10.2x ↖	
	2: 10.2x ↖		2: 9.7 →	
	3: 10.4x ↗		3: 10.0 ↑	
	4: 9.5 →		4: 10.2x →	
	5: 10.1 ↓		5: 10.7x →	
	6: 9.8 →		6: 10.6x ↗	
	7: 10.1 ↓		7: 10.3x →	
	8: 9.8 ↓		8: 10.8x →	
	9: 10.1 ↗		9: 10.3x ↑	
	10: 9.8 ↗		10: 10.2x →	
	Series 99.4	Series 103.0		
	499.0	602.0		

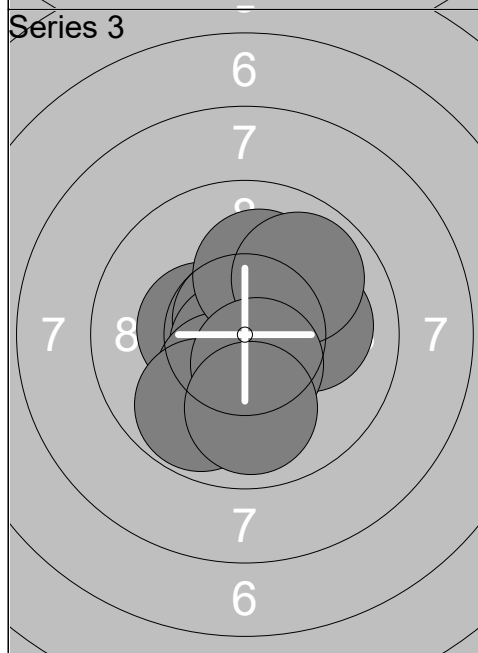
Relay	Lane	Manon Herbulot		
4	22	FRA	WJ	Rifle
17.02.2023	DENMARK OPEN AIR 2023 DAY1	Danmark Open Air 2023		
Series 1 	1: 10.0 ↑	Series 2 	1: 10.8x ↖	
	2: 9.7 ↗		2: 10.7x →	
	3: 10.9x		3: 9.9 ↑	
	4: 10.6x ↑		4: 10.5x ↙	
	5: 10.5x ↗		5: 10.6x ↗	
	6: 10.7x ↘		6: 10.7x ↓	
	7: 10.8x →		7: 10.0 →	
	8: 10.3x →		8: 10.7x ↗	
	9: 10.2x ↗		9: 10.0 ↑	
	10: 10.6x →		10: 10.6x ↖	
	Series 104.3	Series 104.5		
	104.3		208.8	
Series 3 	1: 10.4x →	Series 4 	1: 10.4x ←	
	2: 9.9 ↖		2: 10.0 ↑	
	3: 10.1 ↖		3: 10.3x ↑	
	4: 10.7x →		4: 10.0 →	
	5: 10.2x ↑		5: 10.5x ↗	
	6: 10.6x ↓		6: 10.1 ↗	
	7: 10.4x ↑		7: 10.6x ↘	
	8: 10.9x		8: 10.1 ↑	
	9: 10.1 →		9: 10.3x ↘	
	10: 10.4x ↖		10: 10.4x ↗	
	Series 103.7	Series 102.7		
	312.5		415.2	
Series 5 	1: 10.3x →	Series 6 	1: 10.5x ←	
	2: 10.7x ↗		2: 10.1 ↙	
	3: 10.4x ←		3: 10.4x ↗	
	4: 10.4x ↙		4: 9.5 ↘	
	5: 10.2x →		5: 10.2x ↘	
	6: 10.5x ↑		6: 10.2x ←	
	7: 10.3x ←		7: 10.7x ↓	
	8: 9.9 ↖		8: 10.2x ↘	
	9: 10.8x ↑		9: 10.5x ↗	
	10: 10.8x ↘		10: 10.4x ←	
	Series 104.3	Series 102.7		
	519.5		622.2	



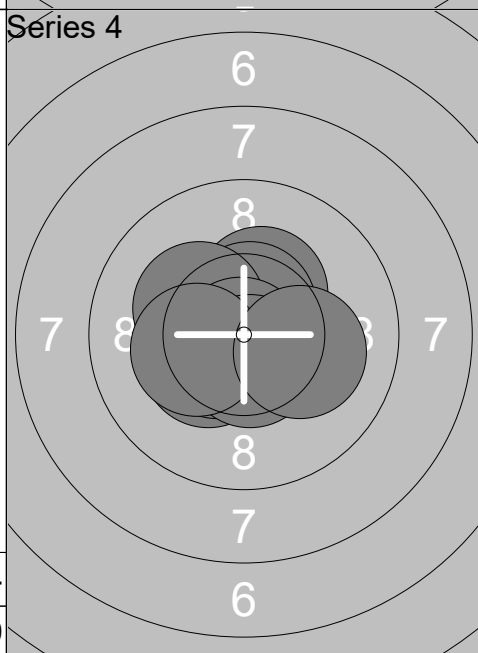
1:	10.3x	→
2:	10.1	↗
3:	10.0	↗
4:	10.3x	→
5:	9.9	→
6:	10.6x	↗
7:	10.4x	↗
8:	10.5x	↗
9:	9.9	→
10:	10.9x	↙
Series	102.9	
	102.9	



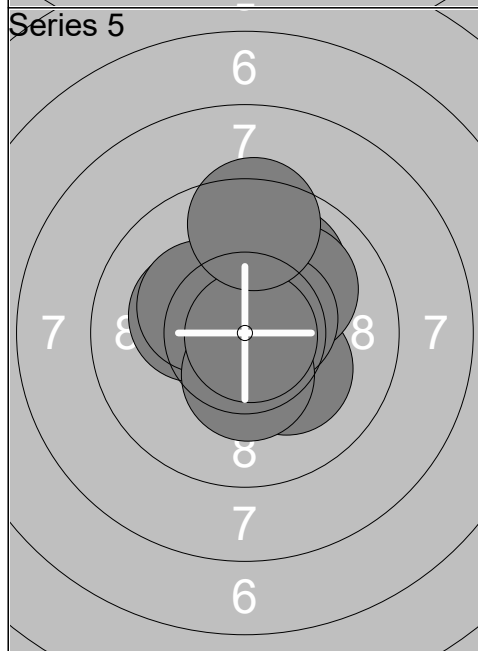
1:	10.8x	↗
2:	10.6x	↗
3:	10.0	↗
4:	10.2x	←
5:	10.2x	↙
6:	10.4x	↗
7:	10.3x	↓
8:	10.3x	↗
9:	10.8x	↗
10:	10.0	↓
Series	103.6	
	206.5	



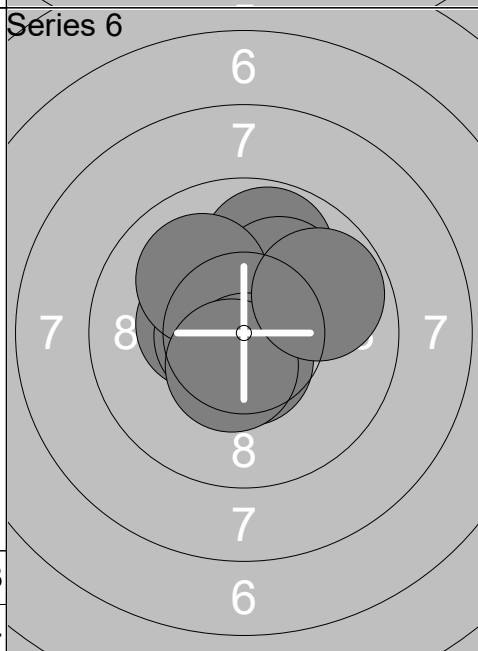
1:	10.4x	←
2:	10.1	→
3:	10.7x	↖
4:	10.7x	↙
5:	10.3x	↙
6:	10.1	↗
7:	9.9	↗
8:	9.8	↙
9:	10.5x	↙
10:	9.9	↓
Series	102.4	
	308.9	



1:	10.7x	→
2:	10.3x	↗
3:	10.5x	↗
4:	10.2x	↖
5:	10.3x	↙
6:	10.5x	↙
7:	10.8x	↓
8:	10.6x	↓
9:	10.2x	←
10:	10.1	→
Series	104.2	
	413.1	



1:	10.2x	↙
2:	10.4x	↗
3:	10.2x	←
4:	10.0	↗
5:	10.3x	↖
6:	10.1	↗
7:	10.5x	→
8:	10.4x	↓
9:	10.8x	→
10:	9.4	↗
Series	102.3	
	515.4	

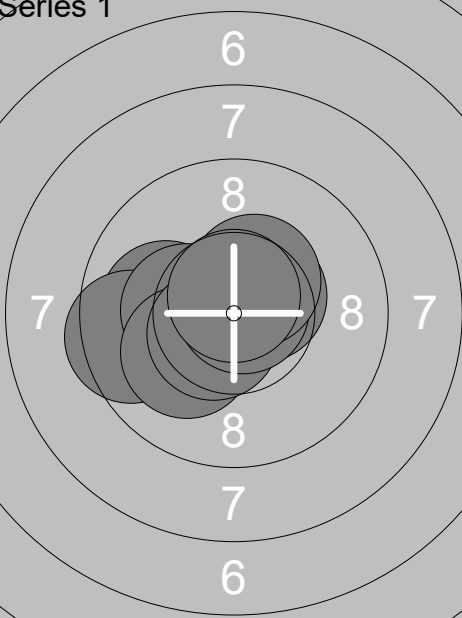
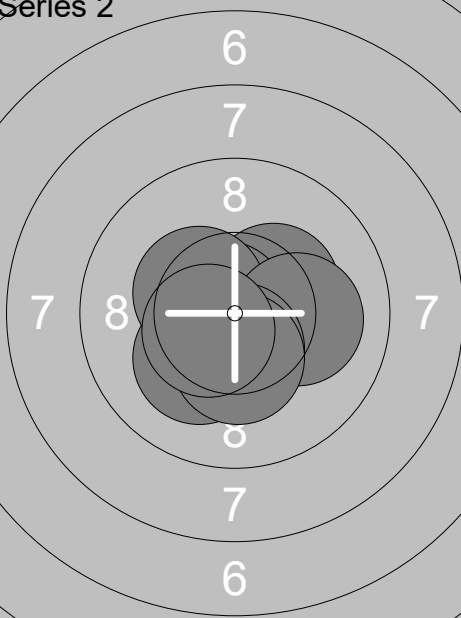


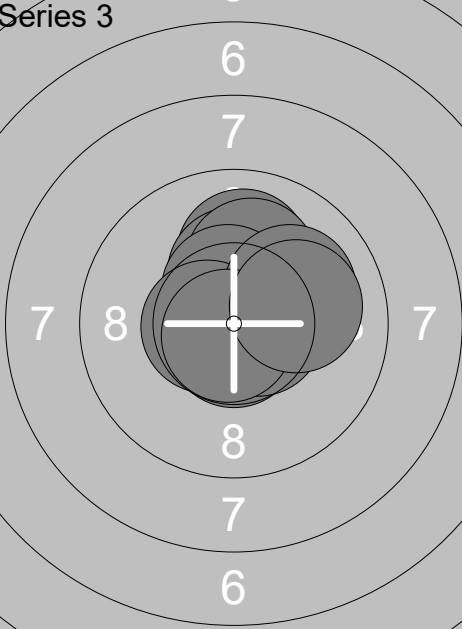
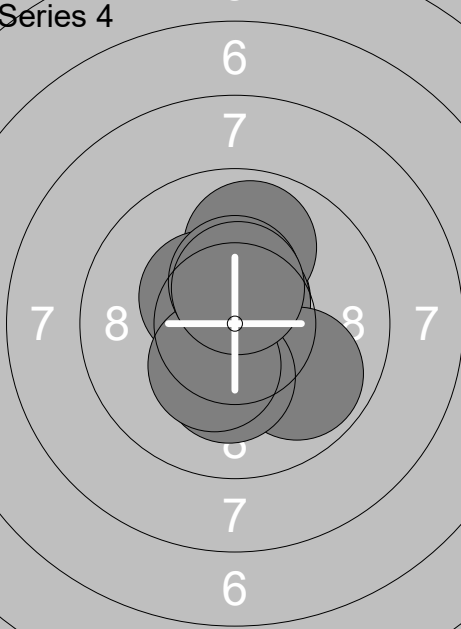
1:	10.1	↗
2:	10.3x	↗
3:	9.8	↗
4:	10.3x	←
5:	10.1	↗
6:	10.6x	←
7:	10.0	↖
8:	10.6x	↓
9:	10.4x	↙
10:	9.8	↗
Series	102.0	
	617.4	

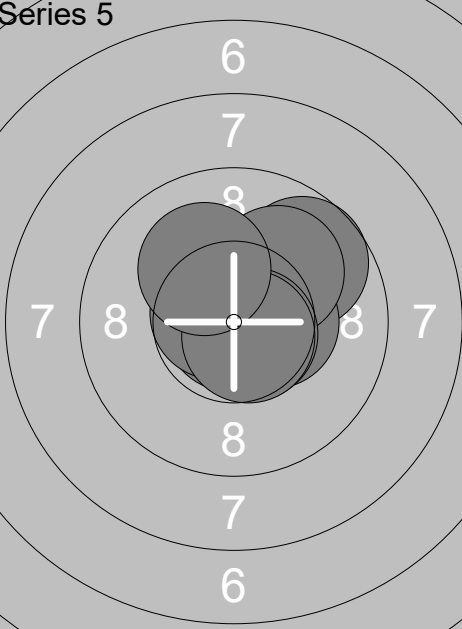
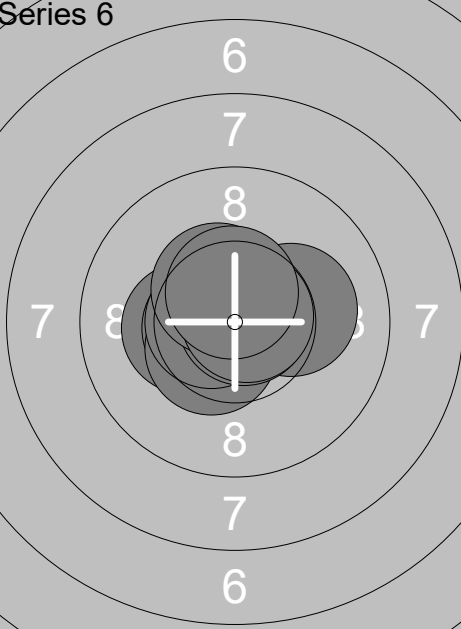
<p>Series 1</p>	<p>1: 10.7x ↗ 2: 9.5 ↘ 3: 9.5 ↘ 4: 9.9 ↘ 5: 9.6 ↓ 6: 9.1 ↗ 7: 10.7x ↓ 8: 10.0 ↓ 9: 10.3x ↓ 10: 9.9 ←</p> <p>Series 99.2</p>	<p>Series 2</p>	<p>1: 10.3x ↓ 2: 9.9 ↓ 3: 10.4x → 4: 10.2x ↖ 5: 10.4x ↙ 6: 10.3x ← 7: 9.3 ↓ 8: 9.9 ↙ 9: 10.4x ↗ 10: 9.2 ↘</p> <p>Series 100.3</p>
99.2		199.5	

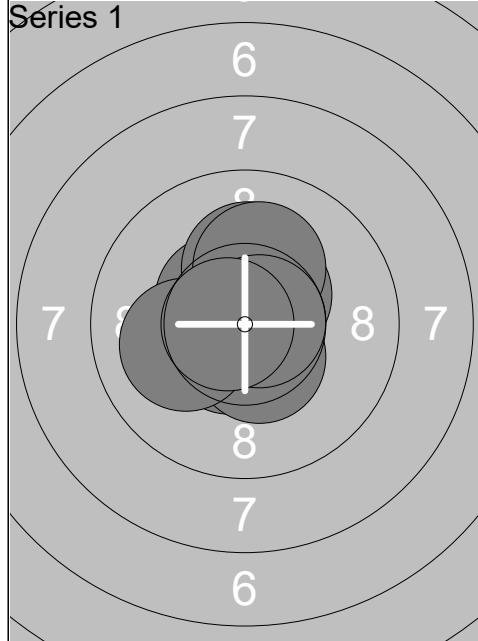
<p>Series 3</p>	<p>1: 10.8x ↘ 2: 10.2x ↖ 3: 10.1 ↗ 4: 10.0 ↙ 5: 10.3x → 6: 9.9 ↑ 7: 10.2x ← 8: 9.6 ↘ 9: 9.5 → 10: 10.6x ↖</p> <p>Series 101.2</p>	<p>Series 4</p>	<p>1: 10.0 ↓ 2: 9.4 → 3: 10.2x ← 4: 10.2x → 5: 10.6x ↙ 6: 9.7 ↓ 7: 9.7 ↓ 8: 10.6x ↗ 9: 10.3x → 10: 9.4 ↓</p> <p>Series 100.1</p>
300.7		400.8	

<p>Series 5</p>	<p>1: 9.9 ↘ 2: 10.6x ↗ 3: 9.5 ← 4: 10.6x ↗ 5: 10.7x ↓ 6: 10.6x ← 7: 10.3x ← 8: 10.3x ↗ 9: 10.4x ↙ 10: 10.2x ↗</p> <p>Series 103.1</p>	<p>Series 6</p>	<p>1: 10.3x ↓ 2: 10.6x ↙ 3: 10.3x ↙ 4: 10.3x ← 5: 9.5 ↗ 6: 9.4 ↗ 7: 10.0 ↗ 8: 9.4 → 9: 10.3x ← 10: 10.6x ←</p> <p>Series 100.7</p>
503.9		604.6	

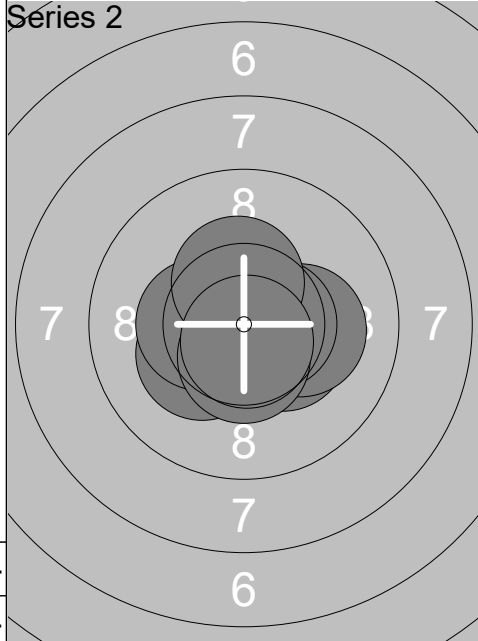
<p>Series 1</p> 	<p>1: 10.6x ←</p> <p>2: 10.0 ←</p> <p>3: 9.5 ←</p> <p>4: 10.3x ←</p> <p>5: 10.1 ↙</p> <p>6: 10.5x ↙</p> <p>7: 10.5x ↗</p> <p>8: 10.8x ↗</p> <p>9: 10.4x ↗</p> <p>10: 10.7x ↑</p> <p>Series 103.4</p>	<p>Series 2</p> 	<p>1: 10.4x →</p> <p>2: 10.3x ↗</p> <p>3: 10.2x ↘</p> <p>4: 10.8x ↖</p> <p>5: 10.6x ←</p> <p>6: 10.4x ↖</p> <p>7: 10.1 →</p> <p>8: 10.5x ↓</p> <p>9: 10.3x ↓</p> <p>10: 10.5x ↙</p> <p>Series 104.1</p>
103.4		207.5	

<p>Series 3</p> 	<p>1: 10.0 ↑</p> <p>2: 10.7x ↓</p> <p>3: 10.3x ↑</p> <p>4: 10.1 ↑</p> <p>5: 10.5x ↑</p> <p>6: 10.6x ←</p> <p>7: 10.6x →</p> <p>8: 10.0 ↗</p> <p>9: 10.8x ↓</p> <p>10: 10.1 →</p> <p>Series 103.7</p>	<p>Series 4</p> 	<p>1: 10.7x ↘</p> <p>2: 10.6x ↑</p> <p>3: 9.9 ↑</p> <p>4: 10.4x ↖</p> <p>5: 10.6x ↑</p> <p>6: 9.8 ↘</p> <p>7: 10.2x ↓</p> <p>8: 10.3x ↘</p> <p>9: 10.4x ↑</p> <p>10: 10.4x ↑</p> <p>Series 103.3</p>
311.2		414.5	

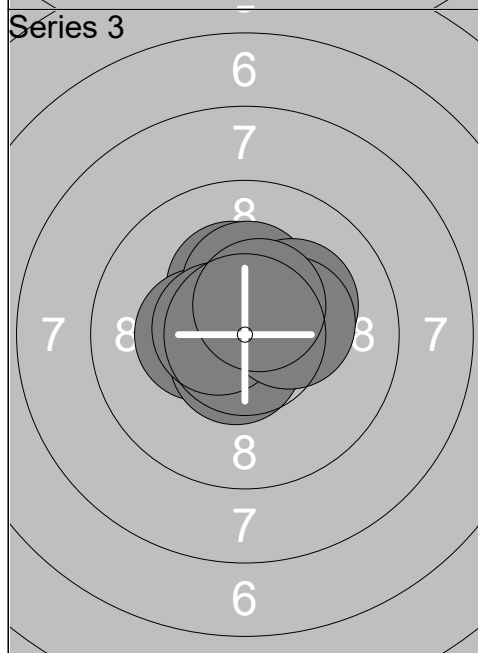
<p>Series 5</p> 	<p>1: 10.9x ↘</p> <p>2: 10.6x ↗</p> <p>3: 10.7x ↗</p> <p>4: 9.7 ↗</p> <p>5: 10.7x ↖</p> <p>6: 10.4x →</p> <p>7: 10.0 ↗</p> <p>8: 10.6x ↘</p> <p>9: 10.6x ↘</p> <p>10: 10.1 ↗</p> <p>Series 104.3</p>	<p>Series 6</p> 	<p>1: 10.3x ←</p> <p>2: 10.8x ↑</p> <p>3: 10.6x ←</p> <p>4: 10.2x →</p> <p>5: 10.4x ↘</p> <p>6: 10.6x ←</p> <p>7: 10.8x →</p> <p>8: 10.4x ↘</p> <p>9: 10.7x ↗</p> <p>10: 10.5x ↑</p> <p>Series 105.3</p>
518.8		624.1	



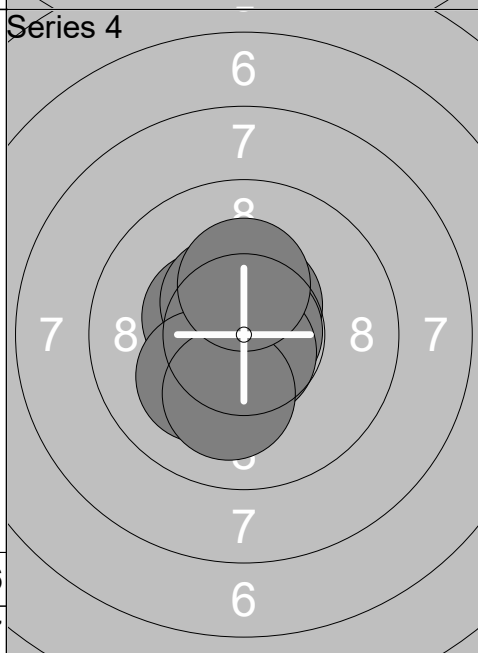
1:	10.7x ↗
2:	10.5x ↘
3:	10.5x ↙
4:	10.4x ↘
5:	10.4x ↗
6:	10.2x ↑
7:	10.2x ↑
8:	10.7x →
9:	10.1 ←
10:	10.7x ←
Series	104.4
	104.4



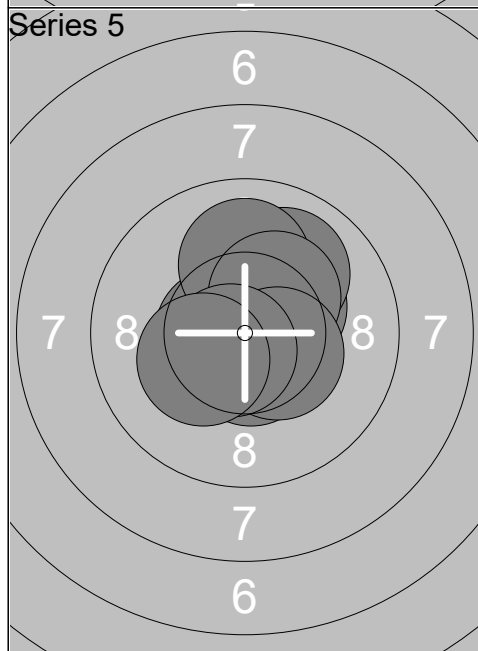
1:	10.6x ←
2:	10.3x →
3:	10.2x ↙
4:	10.8x →
5:	10.4x ←
6:	10.2x →
7:	10.6x →
8:	10.4x ↑
9:	10.5x ↓
10:	10.7x ↓
Series	104.7
	209.1



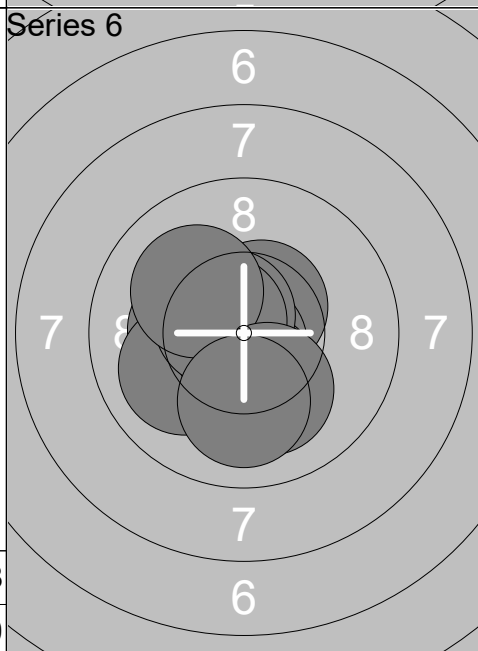
1:	10.8x →
2:	10.3x ↑
3:	10.3x ←
4:	10.7x ↘
5:	10.3x ↑
6:	10.6x ↓
7:	10.6x ←
8:	10.2x ↗
9:	10.3x →
10:	10.5x ↗
Series	104.6
	313.7



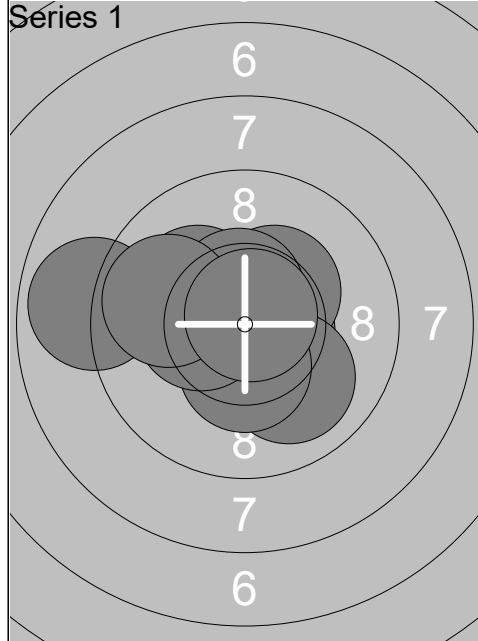
1:	10.5x ↗
2:	10.5x ←
3:	10.4x ↘
4:	10.7x ↑
5:	10.8x →
6:	10.4x ↘
7:	10.7x ↓
8:	10.1 ↙
9:	10.1 ↓
10:	10.3x ↑
Series	104.5
	418.2



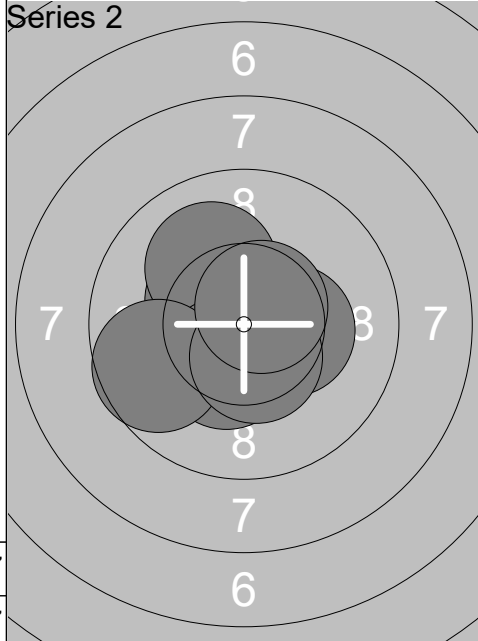
1:	10.6x ↓
2:	10.3x ↗
3:	10.0 ↗
4:	10.7x →
5:	10.6x ←
6:	10.0 ↑
7:	10.3x ↗
8:	10.4x →
9:	10.6x ↙
10:	10.3x ←
Series	103.8
	522.0



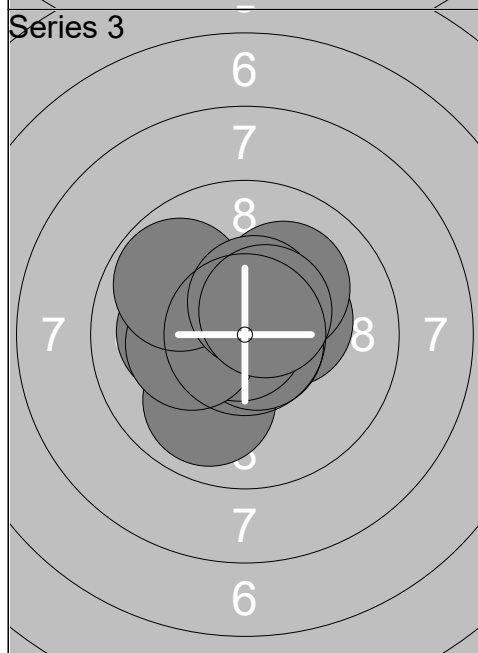
1:	10.3x ←
2:	10.5x ↗
3:	10.0 ↙
4:	10.8x ↓
5:	10.3x ↓
6:	10.6x ↘
7:	10.6x ↘
8:	10.1 ↗
9:	10.1 ↓
10:	10.0 ↓
Series	103.3
	625.3



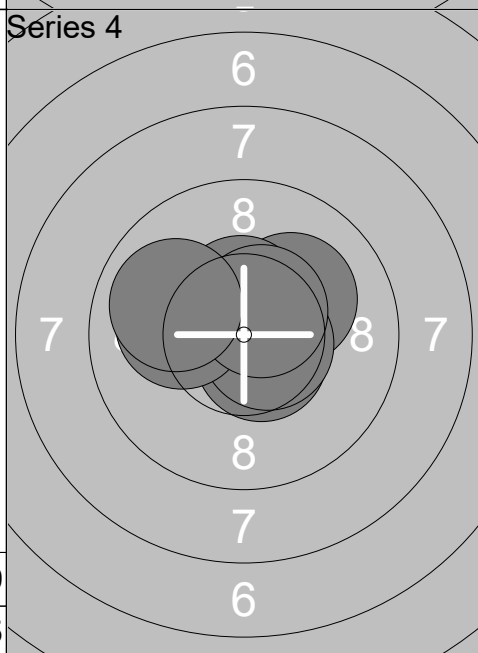
1:	10.6x	→
2:	10.3x	↗
3:	10.0	↘
4:	10.4x	↓
5:	10.1	↖
6:	10.3x	←
7:	8.9	←
8:	10.5x	↑
9:	9.8	←
10:	10.8x	↗
Series	101.7	
	101.7	



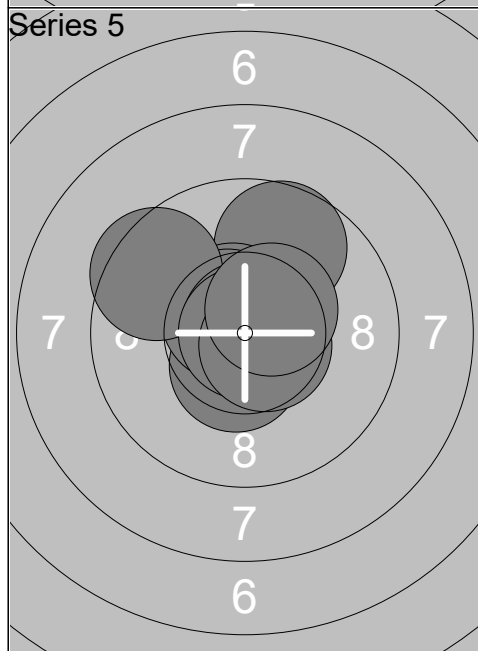
1:	10.6x	↘
2:	10.8x	→
3:	10.4x	↖
4:	10.8x	↑
5:	10.0	↖
6:	10.3x	→
7:	10.3x	↘
8:	9.6	←
9:	10.5x	↘
10:	10.6x	↗
Series	103.9	
	205.6	



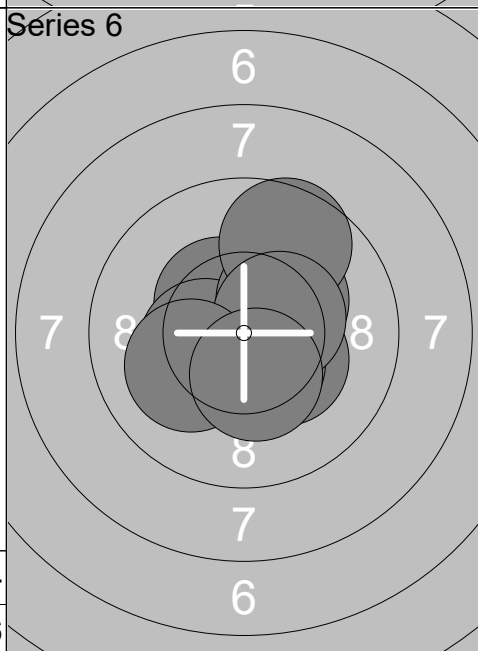
1:	10.1	←
2:	10.3x	→
3:	9.9	↘
4:	10.1	↗
5:	10.7x	↘
6:	10.8x	←
7:	10.2x	←
8:	9.8	↖
9:	10.5x	↑
10:	10.5x	↗
Series	102.9	
	308.5	



1:	10.8x	↑
2:	10.8x	↘
3:	10.1	↗
4:	10.8x	→
5:	10.6x	↘
6:	10.6x	→
7:	10.5x	↑
8:	10.1	←
9:	10.5x	↗
10:	9.9	←
Series	104.7	
	413.2	

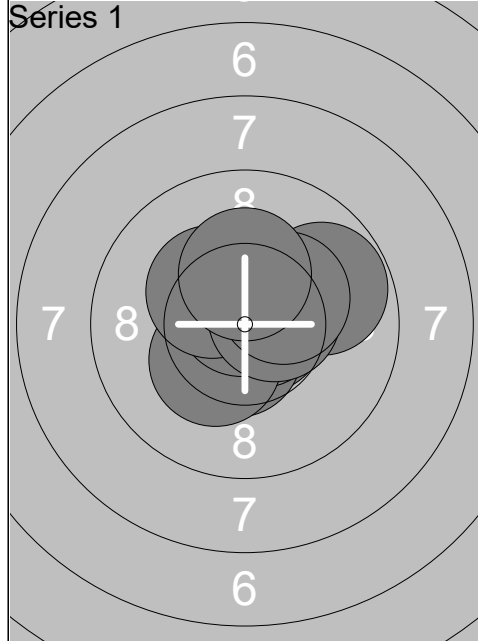


1:	10.7x	↗
2:	9.7	↑
3:	10.6x	↖
4:	10.5x	↘
5:	10.6x	↖
6:	9.5	↖
7:	10.8x	↗
8:	10.9x	
9:	10.6x	↘
10:	10.5x	↗
Series	104.4	
	517.6	

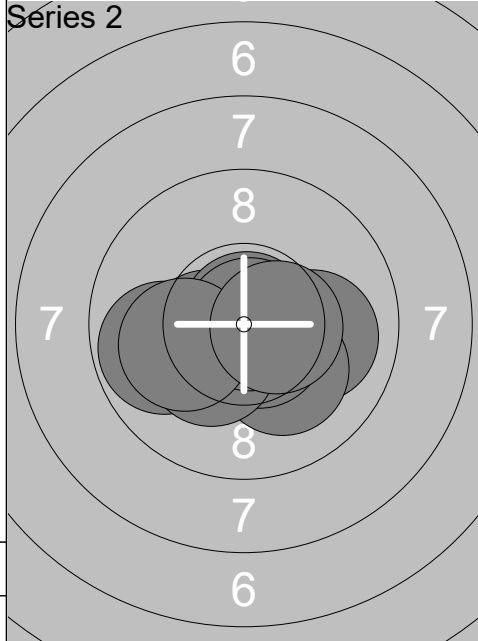


1:	10.8x	↑
2:	10.4x	↖
3:	10.4x	←
4:	10.2x	↗
5:	10.3x	↘
6:	9.6	↑
7:	10.5x	↘
8:	10.4x	→
9:	10.1	←
10:	10.4x	↘
Series	103.1	
	620.7	

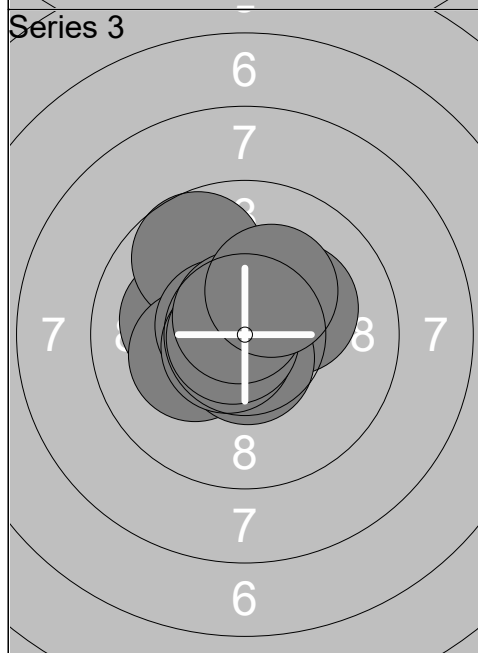
Relay	Lane	Emma Klinck			
4	29	DEN		WJ	Rifle
17.02.2023		DENMARK OPEN AIR 2023 DAY1		Danmark Open Air 2023	
Series 1 	1: 9.9 →	Series 2 	1: 10.4x ←		
	2: 10.5x ↓		2: 10.5x ↙		
	3: 10.5x ↗		3: 10.6x →		
	4: 10.6x ↘		4: 9.5 ←		
	5: 9.6 ←		5: 9.5 →		
	6: 10.3x ↖		6: 10.2x ↘		
	7: 9.8 ↘		7: 9.7 →		
	8: 10.4x ↗		8: 10.7x ↗		
	9: 9.3 →		9: 10.0 ↙		
	10: 10.5x ↘		10: 8.0 ←		
	Series 101.4		Series 99.1		
	101.4		200.5		
Series 3 	1: 10.6x ↓	Series 4 	1: 10.6x ↓		
	2: 10.3x →		2: 10.9x ↑		
	3: 9.9 ↓		3: 9.9 ←		
	4: 10.3x ↑		4: 10.5x ↓		
	5: 10.8x ↑		5: 10.3x →		
	6: 10.3x →		6: 10.5x ↑		
	7: 10.0 →		7: 9.6 →		
	8: 10.8x →		8: 10.8x ←		
	9: 10.7x ↓		9: 10.2x ←		
	10: 10.0 ↗		10: 10.3x ↘		
	Series 103.7		Series 103.6		
	304.2		407.8		
Series 5 	1: 10.6x ↗	Series 6 	1: 10.6x ↓		
	2: 10.6x ↖		2: 10.4x →		
	3: 10.8x →		3: 10.2x ↓		
	4: 10.1 ↓		4: 10.1 ↖		
	5: 10.5x ↑		5: 10.3x ↑		
	6: 10.3x →		6: 10.4x ↗		
	7: 9.6 ↓		7: 9.8 ←		
	8: 10.4x ↙		8: 10.0 ↖		
	9: 10.3x ↓		9: 10.3x ↗		
	10: 10.3x →		10: 10.4x ↑		
	Series 103.5		Series 102.5		
	511.3		613.8		



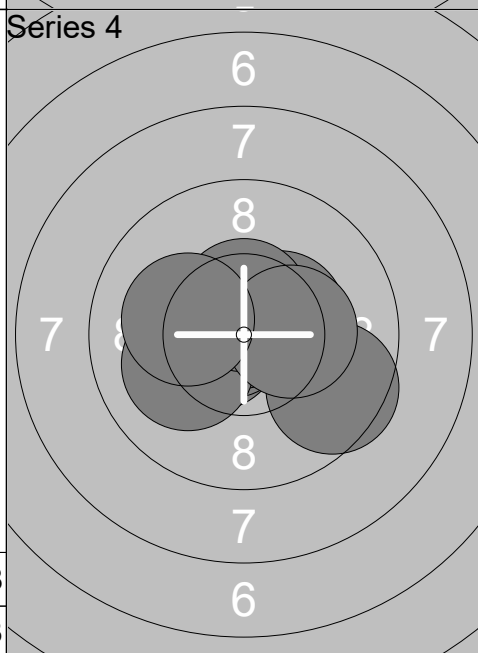
1:	10.7x →
2:	10.5x ↓
3:	10.7x →
4:	10.3x ↓
5:	10.7x ↑
6:	10.3x ↖
7:	9.8 →
8:	10.5x →
9:	10.3x ↗
10:	10.3x ↑
Series	104.1
	104.1



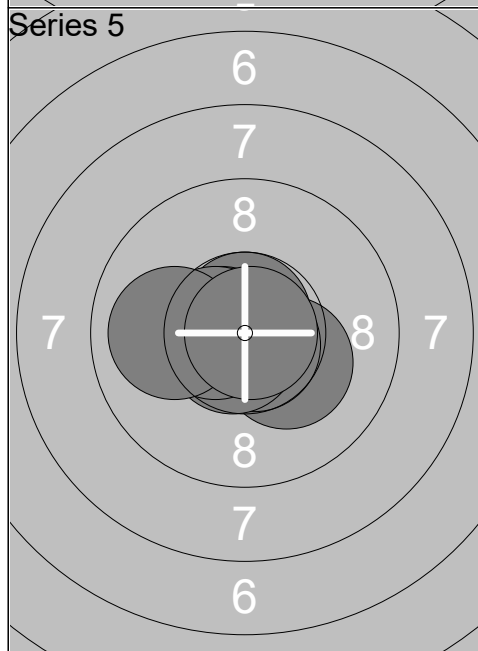
1:	10.0 →
2:	10.4x ←
3:	10.1 ↓
4:	10.6x ↓
5:	9.8 ←
6:	10.3x ↖
7:	10.8x ↗
8:	10.8x →
9:	10.1 ←
10:	10.5x →
Series	103.4
	207.5



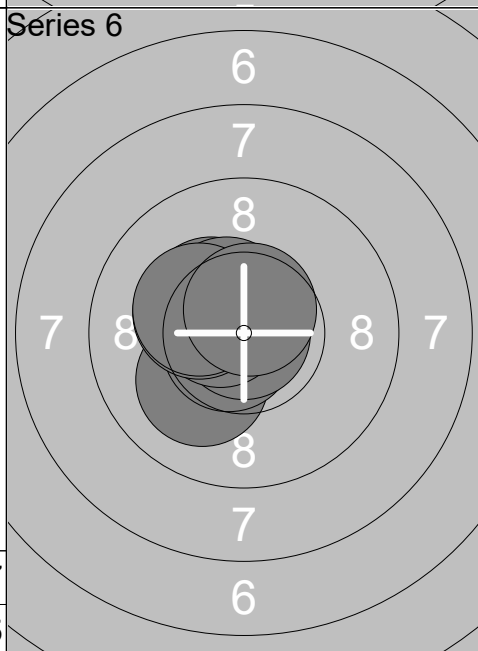
1:	10.2x ↗
2:	10.1 ←
3:	9.7 ↖
4:	10.2x ←
5:	10.6x ↓
6:	10.6x ←
7:	10.7x ↖
8:	10.8x ←
9:	10.7x ↑
10:	10.2x ↗
Series	103.8
	311.3



1:	10.6x ↑
2:	10.5x ←
3:	10.4x →
4:	10.7x ←
5:	10.7x ↖
6:	10.1 ←
7:	9.5 ↓
8:	10.6x ↑
9:	10.3x →
10:	10.1 ←
Series	103.5
	414.8



1:	10.8x ↓
2:	10.2x ↓
3:	10.7x ←
4:	10.7x ↓
5:	10.7x ↑
6:	10.6x ←
7:	10.7x ↓
8:	10.5x ←
9:	10.0 ←
10:	10.8x →
Series	105.7
	520.5



1:	10.3x ↖
2:	10.1 ↓
3:	10.9x ←
4:	10.5x ↖
5:	10.7x ↖
6:	10.9x
7:	10.6x ←
8:	10.3x ↖
9:	10.2x ↖
10:	10.6x ↑
Series	105.1
	625.6