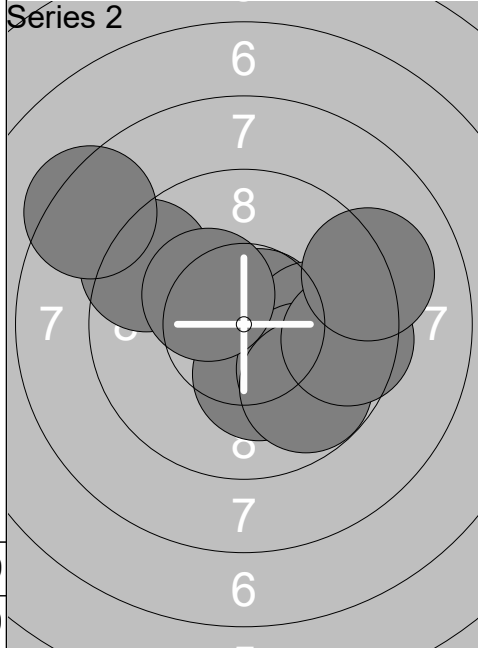
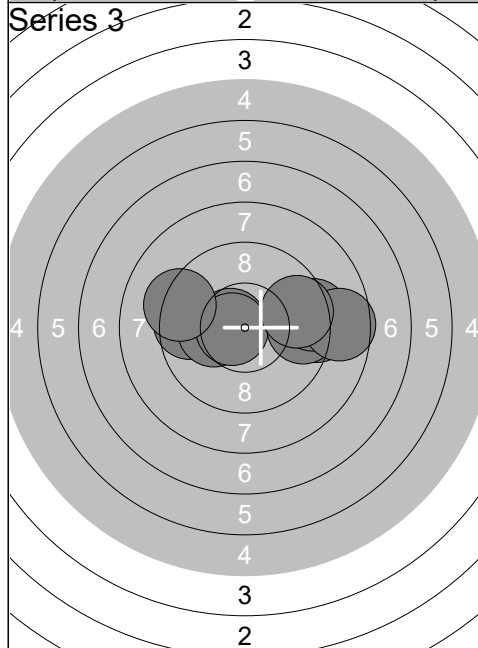


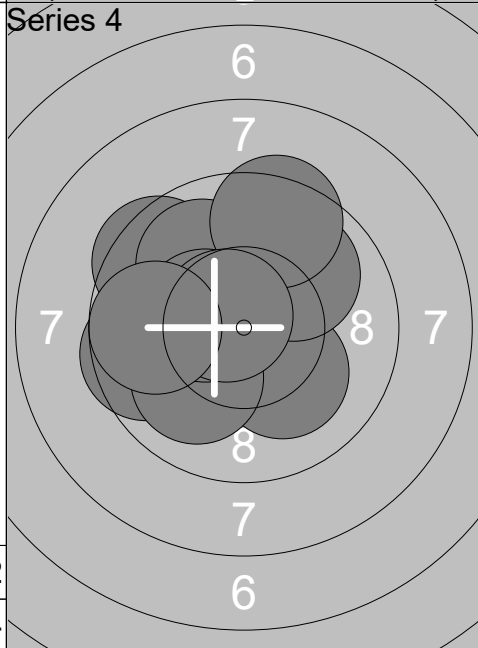
1:	9.2 ↖
2:	9.8 →
3:	9.6 ↖
4:	10.5x ↖
5:	9.1 ↖
6:	9.3 →
7:	9.8 ↑
8:	10.6x ↘
9:	10.5x ↘
10:	9.5 →
Series	97.9
	97.9



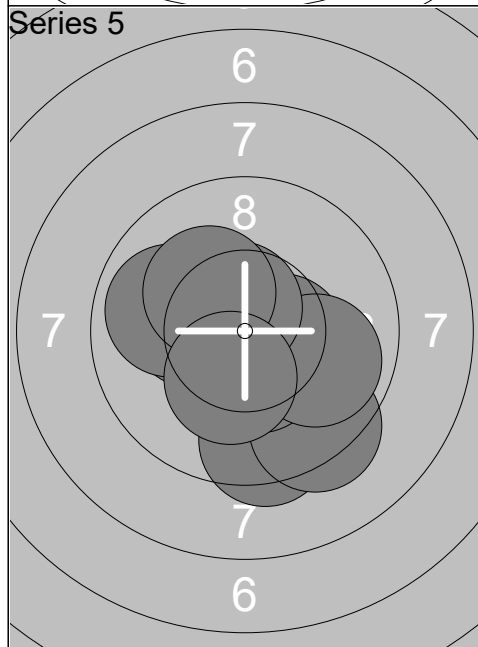
1:	9.4 ↖
2:	10.7x ↗
3:	10.0 →
4:	10.2x ↓
5:	9.9 ↓
6:	9.8 ↓
7:	9.5 →
8:	8.4 ↖
9:	10.3x ↖
10:	9.1 →
Series	97.3
	195.2



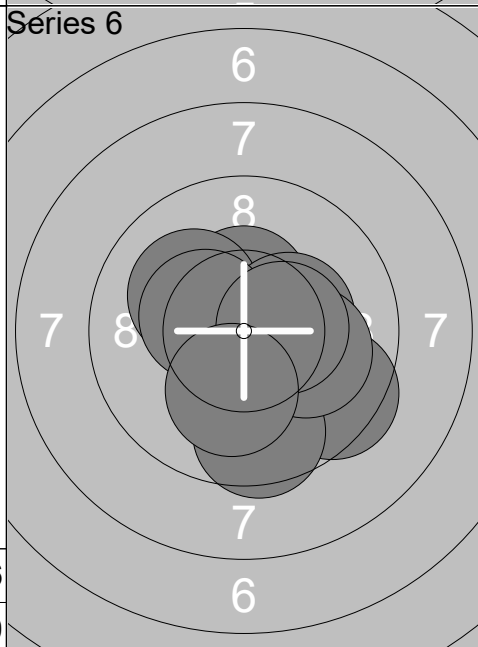
1:	9.6 ↖
2:	9.2 →
3:	10.2x ↖
4:	10.5x ↖
5:	10.6x ↖
6:	9.2 ↖
7:	9.5 →
8:	9.2 →
9:	8.6 →
10:	9.6 →
Series	96.2
	291.4



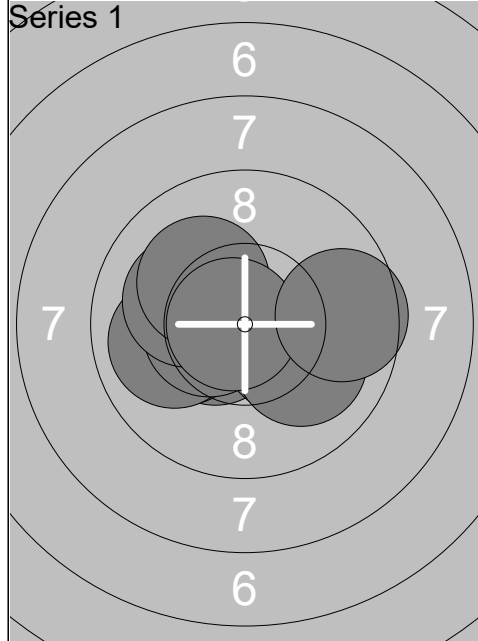
1:	9.5 ↖
2:	10.1 ↓
3:	9.5 ↖
4:	10.0 ↖
5:	9.9 ↖
6:	10.4x ↖
7:	9.9 ↗
8:	9.4 ↑
9:	10.6x ↖
10:	9.7 ↖
Series	99.0
	390.4



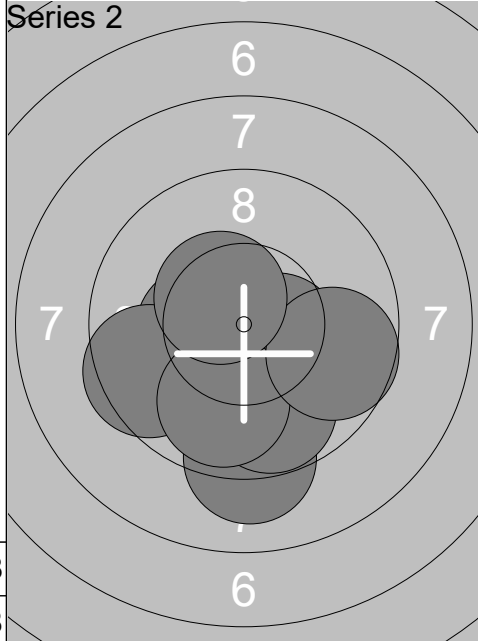
1:	9.4 ↓
2:	10.2x ↖
3:	9.3 ↓
4:	10.4x →
5:	9.9 ↖
6:	10.4x ↓
7:	9.9 →
8:	10.6x ↖
9:	10.2x ↖
10:	10.3x ↓
Series	100.6
	491.0



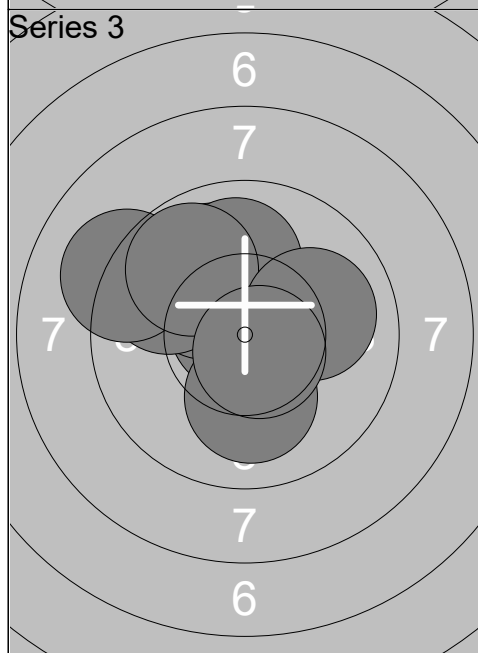
1:	10.4x ↑
2:	9.5 ↘
3:	10.1 ↖
4:	10.3x →
5:	9.5 ↓
6:	10.7x ↘
7:	10.0 →
8:	10.4x ↖
9:	10.4x →
10:	10.1 ↓
Series	101.4
	592.4



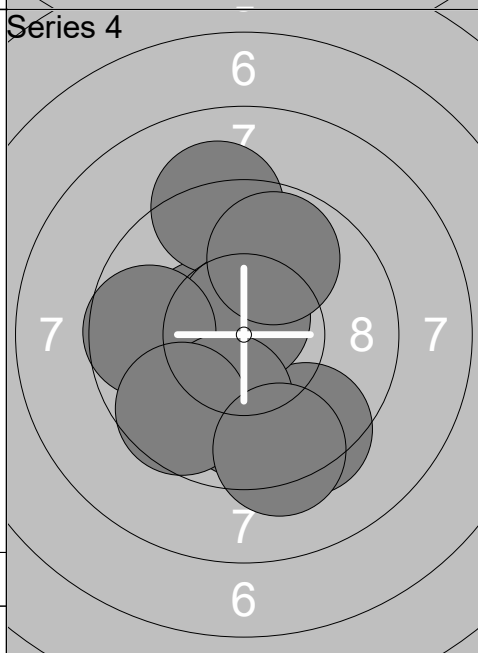
1:	10.5x ↙
2:	10.1 ←
3:	9.9 ←
4:	10.5x ←
5:	10.2x ➤
6:	10.0 ➤
7:	10.1 ←
8:	10.1 ↗
9:	10.8x ←
10:	9.6 ➔
Series	101.8
	101.8



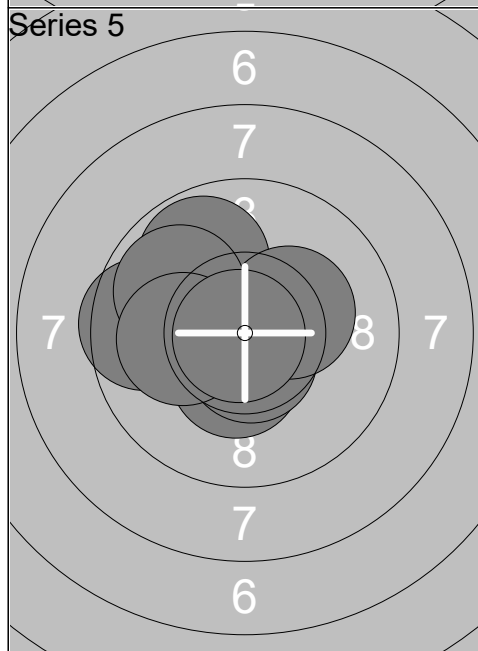
1:	10.6x ↙
2:	10.4x ←
3:	9.1 ↓
4:	10.5x ↘
5:	9.5 ←
6:	10.4x ➤
7:	9.8 ↓
8:	9.9 ↓
9:	9.6 ➔
10:	10.4x ↘
Series	100.2
	202.0



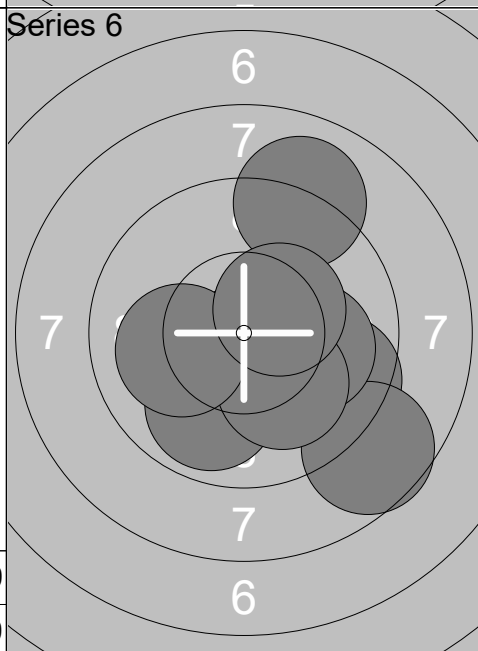
1:	10.7x ↘
2:	10.2x ↗
3:	9.9 ↗
4:	10.0 ↑
5:	9.7 ↖
6:	9.1 ←
7:	10.1 ↓
8:	9.8 ↗
9:	10.0 ➔
10:	10.6x ↘
Series	100.1
	302.1



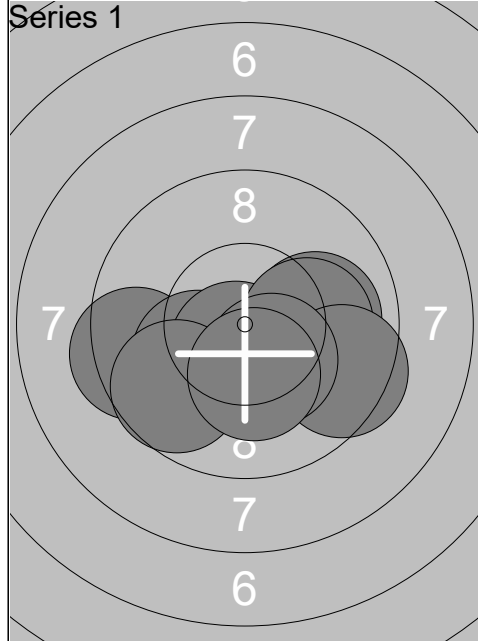
1:	10.4x ←
2:	9.2 ↑
3:	9.9 ↓
4:	9.4 ↘
5:	10.7x ↑
6:	9.6 ←
7:	10.0 ↓
8:	9.6 ↘
9:	9.8 ↗
10:	9.3 ↓
Series	97.9
	400.0



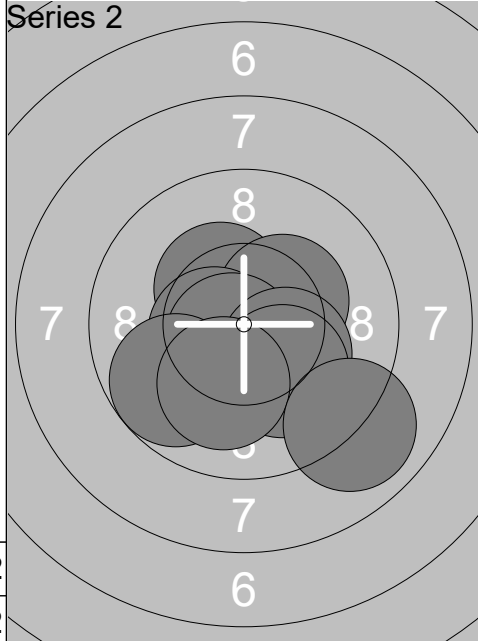
1:	10.4x ↓
2:	10.6x ↘
3:	10.8x ➔
4:	10.6x ↓
5:	9.6 ←
6:	9.8 ↗
7:	10.3x ➔
8:	9.9 ↖
9:	10.1 ←
10:	10.8x ←
Series	102.9
	502.9



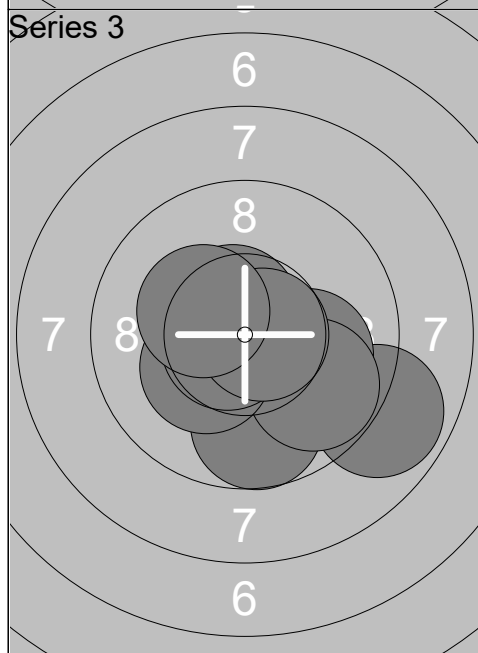
1:	9.0 ↗
2:	10.2x ←
3:	9.5 ➤
4:	10.7x ↓
5:	8.6 ↘
6:	10.0 ➔
7:	9.9 ↓
8:	10.1 ↘
9:	10.0 ←
10:	10.3x ↗
Series	98.3
	601.2



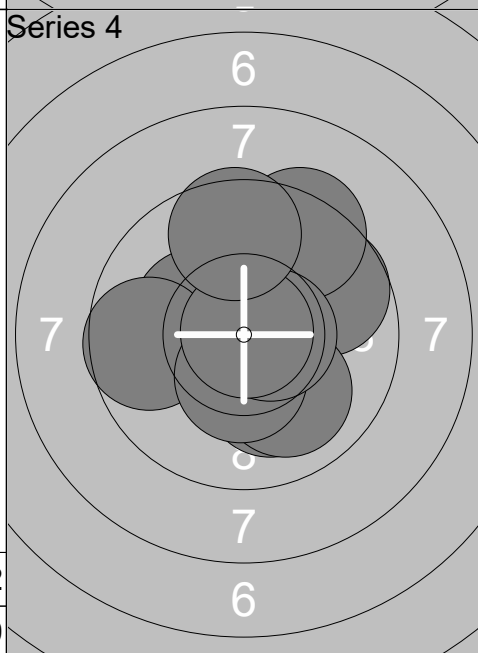
1:	9.4	←
2:	10.1	↙
3:	10.0	→
4:	10.3x	↘
5:	10.6x	↓
6:	10.1	→
7:	9.5	↘
8:	10.3x	↘
9:	9.7	↙
10:	10.2x	↓
Series	100.2	
	100.2	



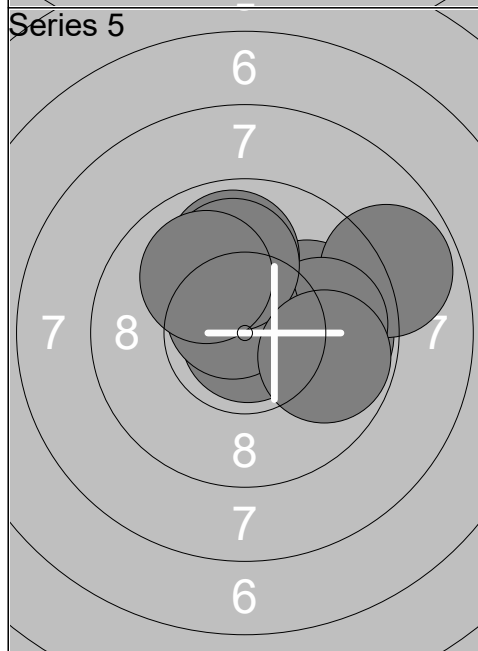
1:	10.6x	↙
2:	10.4x	↖
3:	10.3x	↗
4:	10.5x	↖
5:	10.7x	↘
6:	9.7	↙
7:	10.2x	↘
8:	10.1	↘
9:	10.1	↓
10:	8.9	↘
Series	101.5	
	201.7	



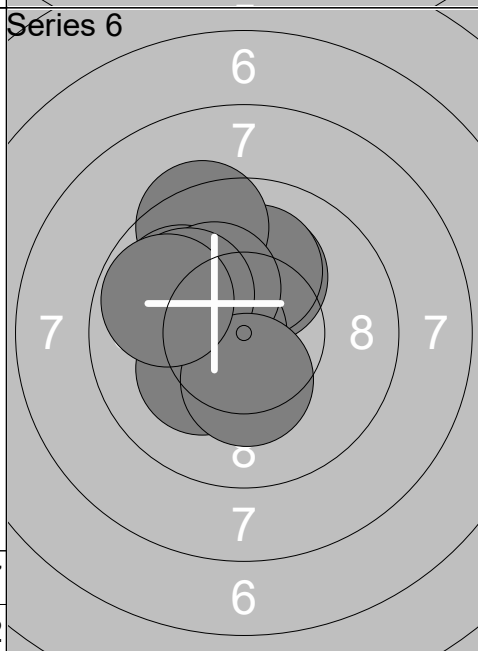
1:	9.7	↓
2:	8.8	↘
3:	10.4x	↘
4:	10.1	→
5:	9.8	↘
6:	10.2x	↙
7:	10.6x	↖
8:	10.6x	↙
9:	10.7x	→
10:	10.3x	↖
Series	101.2	
	302.9	



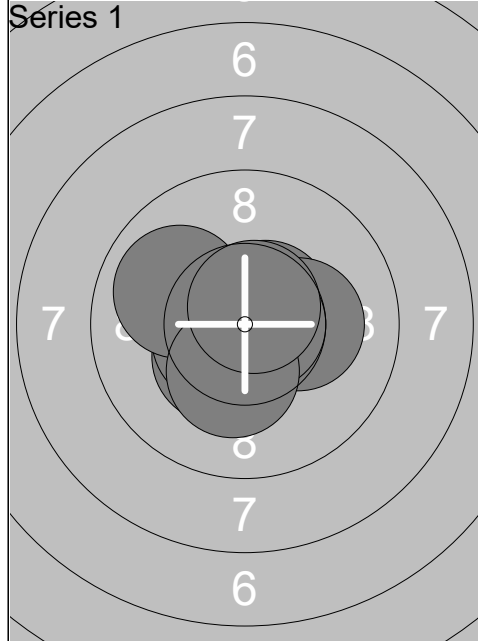
1:	9.7	↗
2:	10.1	↓
3:	10.3x	↖
4:	9.6	←
5:	9.4	↗
6:	10.0	↓
7:	10.4x	↓
8:	10.6x	→
9:	10.9x	↗
10:	9.6	↑
Series	100.6	
	403.5	



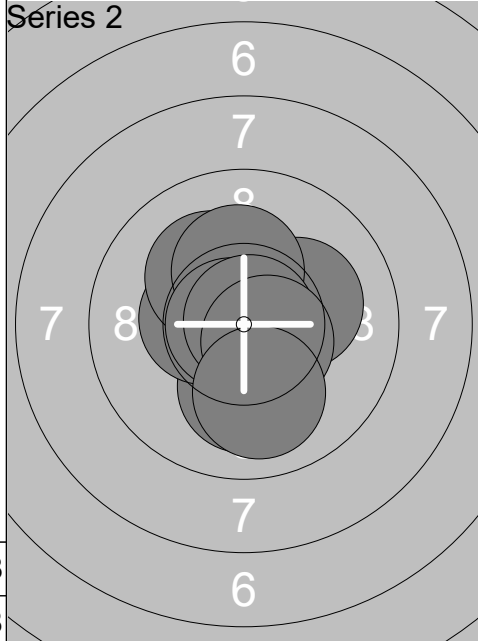
1:	10.0	↗
2:	9.8	→
3:	9.9	↑
4:	8.8	↗
5:	10.9x	↘
6:	9.9	→
7:	10.6x	↖
8:	10.0	↑
9:	9.8	↘
10:	10.0	↖
Series	99.7	
	503.2	



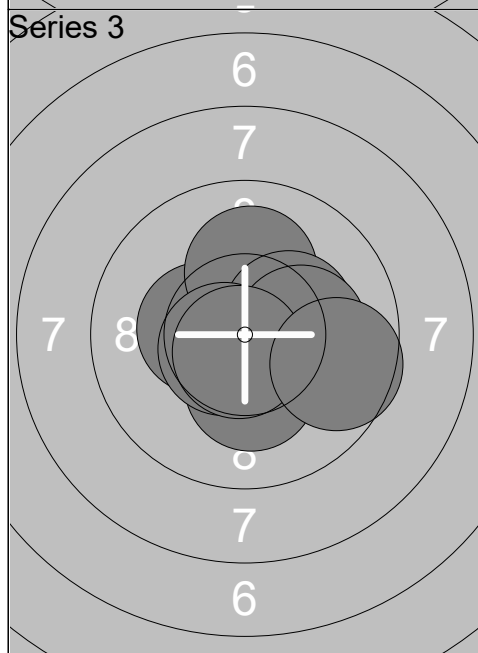
1:	10.1	↑
2:	10.1	↑
3:	10.6x	↙
4:	9.4	↑
5:	10.2x	↙
6:	9.9	↖
7:	10.2x	↖
8:	10.0	↖
9:	10.3x	↓
10:	9.8	↖
Series	100.6	
	603.8	



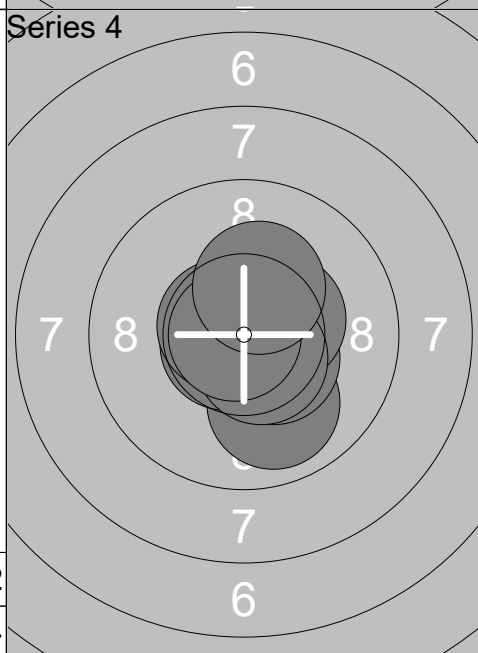
1:	10.7x ←
2:	10.4x ↙
3:	10.6x ↗
4:	10.2x →
5:	10.8x ←
6:	10.5x ↙
7:	9.9 ←
8:	10.7x →
9:	10.3x ↓
10:	10.7x ↗
Series	104.8
	104.8



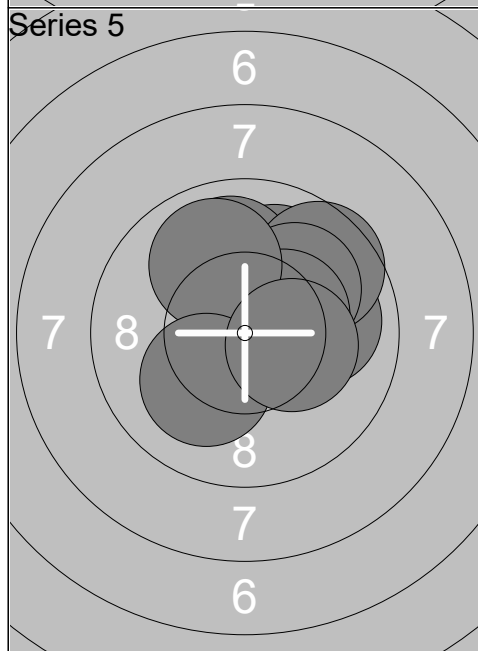
1:	10.3x ↓
2:	10.1 ↓
3:	10.4x ←
4:	10.1 ↗
5:	10.2x →
6:	10.2x ↑
7:	10.8x ←
8:	10.8x →
9:	10.5x ↘
10:	10.0 ↓
Series	103.4
	208.2



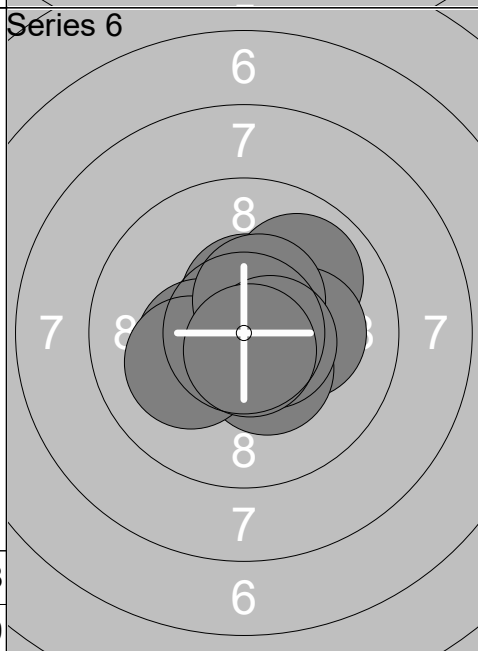
1:	10.4x ←
2:	10.1 ↑
3:	10.6x ↓
4:	10.5x →
5:	10.3x →
6:	10.2x ↓
7:	10.2x →
8:	10.6x ↙
9:	10.7x ↓
10:	9.6 →
Series	103.2
	311.4



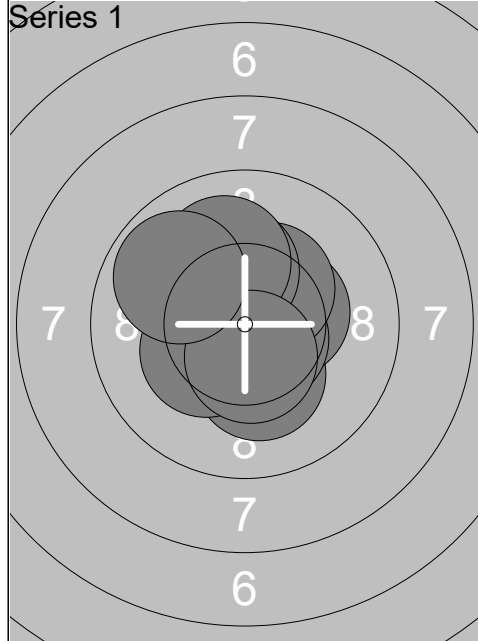
1:	10.6x ↑
2:	9.9 ↓
3:	10.4x ↘
4:	10.6x ↗
5:	10.6x ↙
6:	10.4x →
7:	10.5x ↘
8:	10.6x ←
9:	10.8x ←
10:	10.3x ↗
Series	104.7
	416.1



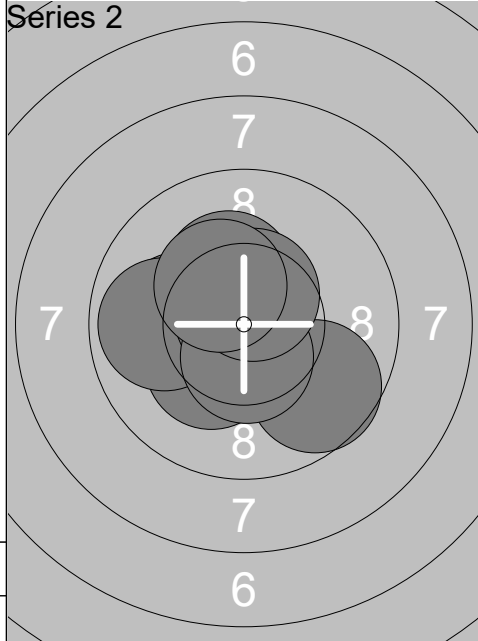
1:	10.8x →
2:	10.0 ↗
3:	9.9 →
4:	9.9 ↑
5:	9.6 ↗
6:	10.0 ↗
7:	10.3x →
8:	9.9 ↗
9:	10.1 ↓
10:	10.3x →
Series	100.8
	516.9



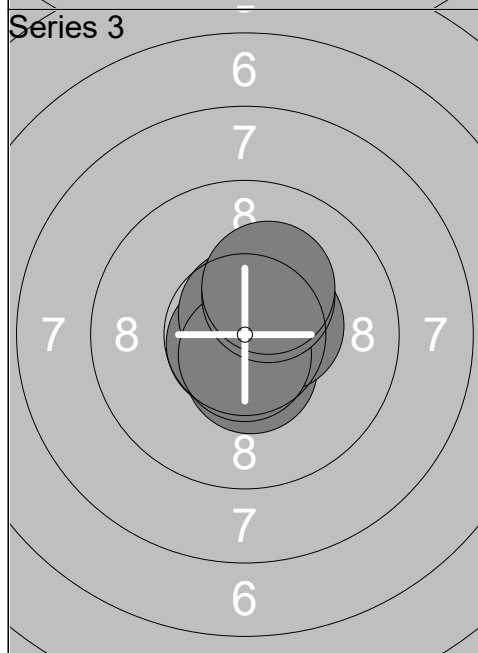
1:	10.5x ↑
2:	9.9 ↗
3:	10.3x ←
4:	10.2x →
5:	10.8x →
6:	10.4x ↘
7:	10.1 ←
8:	10.4x ↗
9:	10.6x →
10:	10.7x ↓
Series	103.9
	620.8



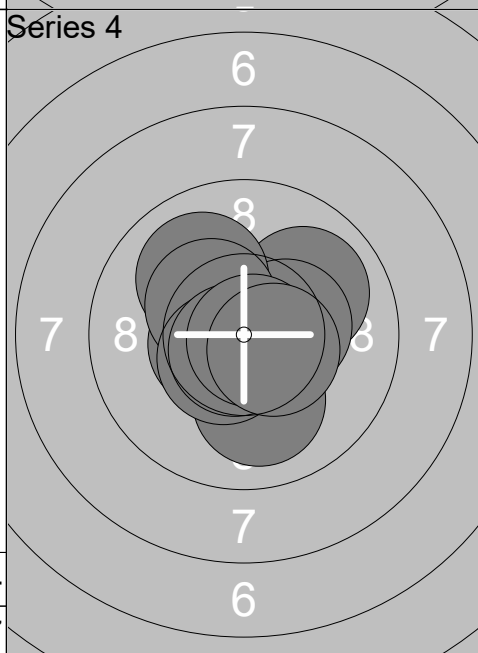
1:	10.2x ↘
2:	10.8x ↘
3:	10.3x ↙
4:	10.4x →
5:	10.6x ↘
6:	10.3x ↗
7:	10.2x ↑
8:	10.0 ↑
9:	10.5x ↓
10:	9.8 ↖
Series	103.1
	103.1



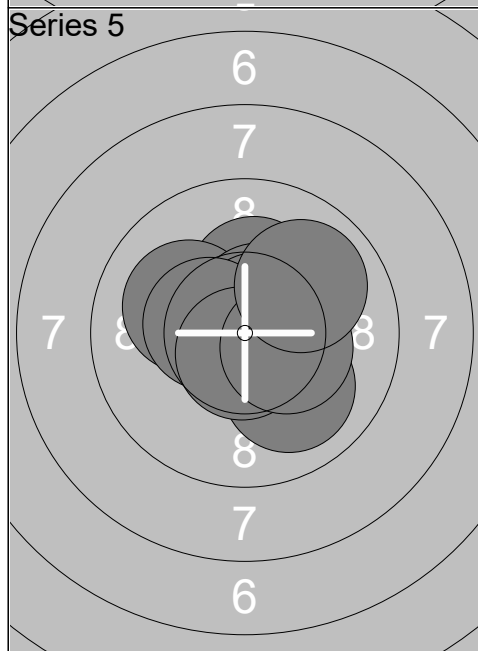
1:	9.6 ↘
2:	10.0 ←
3:	10.1 ←
4:	10.3x ↙
5:	10.2x ↑
6:	9.9 ←
7:	10.8x ↑
8:	10.5x ↓
9:	10.5x ↑
10:	10.3x ↖
Series	102.2
	205.3



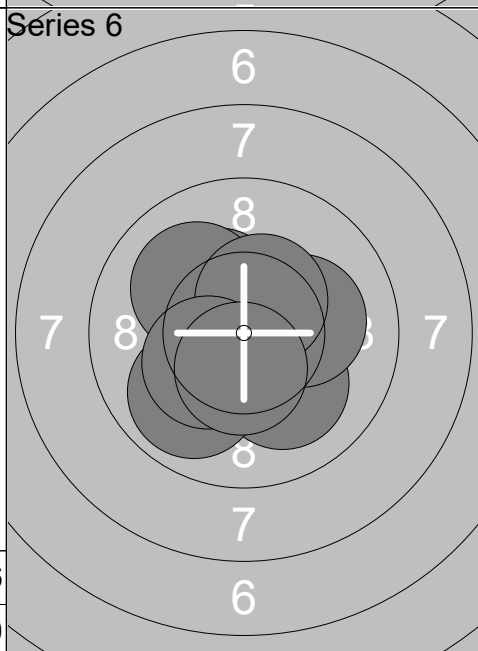
1:	10.7x ↙
2:	10.5x ↓
3:	10.6x ↗
4:	10.7x ↗
5:	10.6x ↗
6:	10.6x ↑
7:	10.5x →
8:	10.7x ↓
9:	10.3x ↗
10:	10.2x ↗
Series	105.4
	310.7



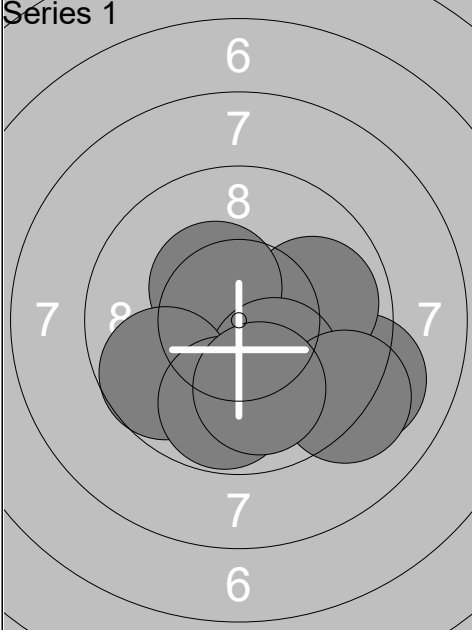
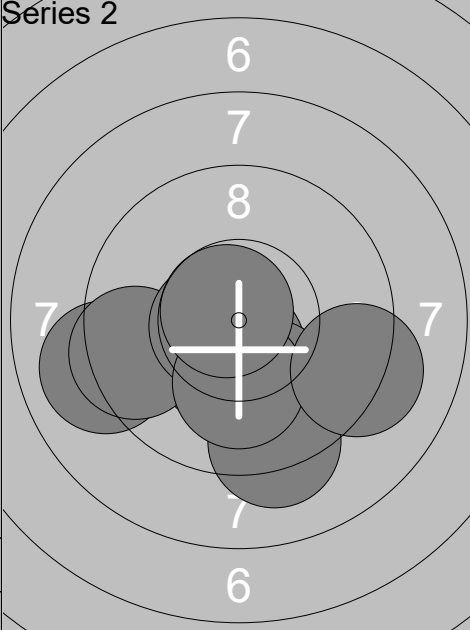
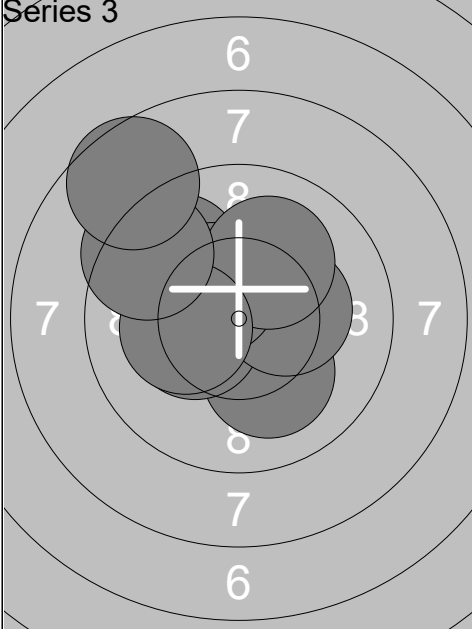
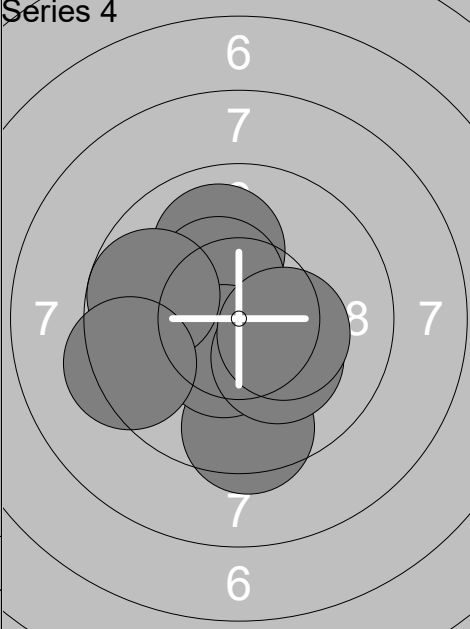
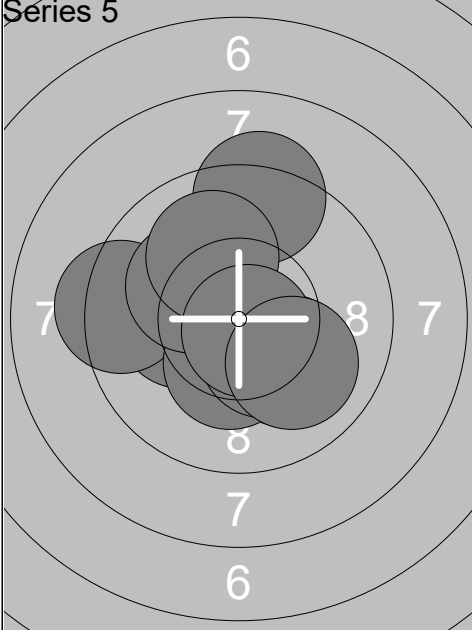
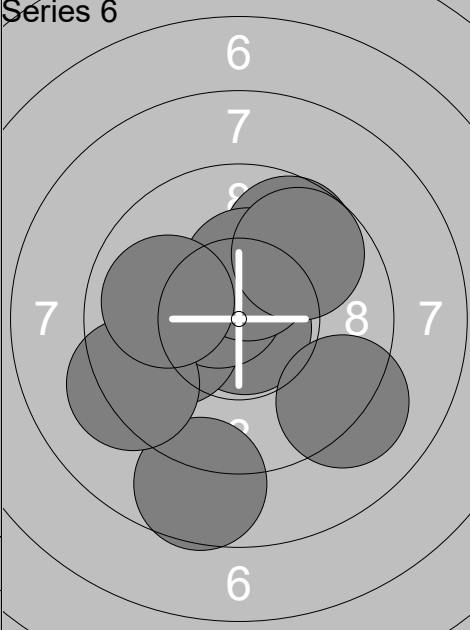
1:	10.5x ←
2:	10.0 ↗
3:	10.4x →
4:	10.0 ↖
5:	10.0 ↓
6:	10.3x ↖
7:	10.5x ↙
8:	10.7x ↓
9:	10.8x ↘
10:	10.5x ↘
Series	103.7
	414.4

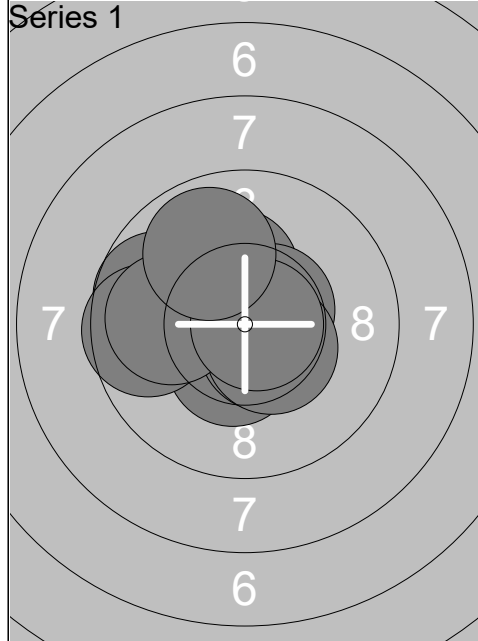


1:	10.2x ↑
2:	10.1 ↖
3:	10.5x ↗
4:	10.8x ↓
5:	10.0 ↘
6:	10.7x ↗
7:	10.4x ←
8:	10.7x ↓
9:	10.3x →
10:	9.9 ↗
Series	103.6
	518.0

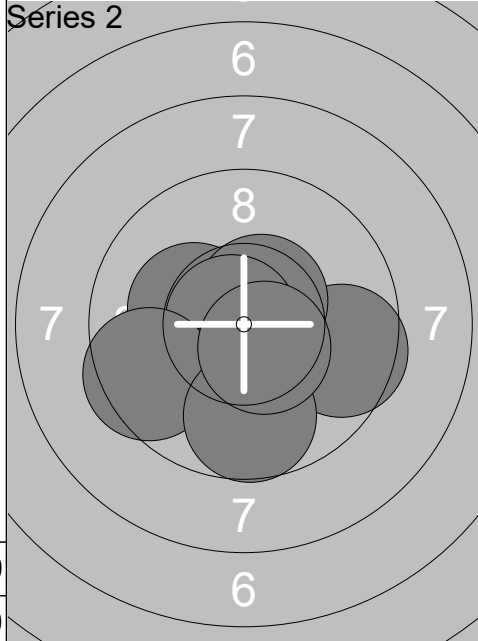


1:	10.3x ↖
2:	10.1 ↘
3:	10.6x ↗
4:	10.6x →
5:	10.2x →
6:	10.1 ↖
7:	10.4x ↗
8:	9.9 ↙
9:	10.3x ↙
10:	10.4x ↓
Series	102.9
	620.9

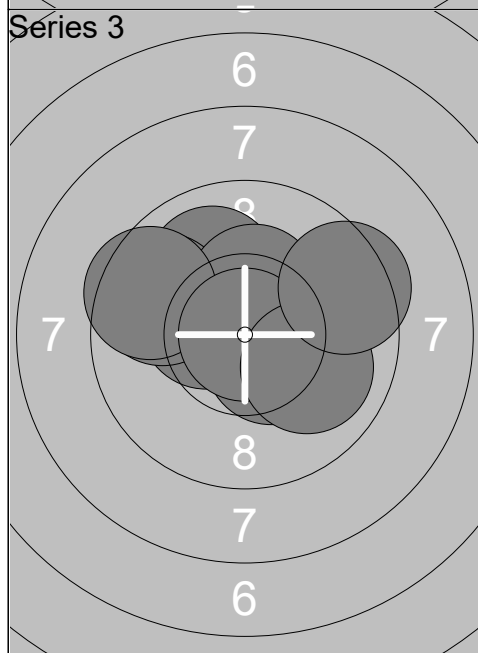
Relay	Lane	Mikkel Kannik		
1	23			
1 Air Qualification		DEN	MJ	
18.02.2023		DENMARK OPEN AIR 2023 DAY2	Danmark Open Air 2023	
Series 1		1: 9.1 → 2: 10.5x → 3: 9.9 → 4: 10.1 ↙ 5: 10.4x ↗ 6: 10.1 ↘ 7: 9.7 ↙ 8: 9.8 ↓ 9: 9.1 ↘ 10: 10.0 ↓ Series 98.7 98.7	Series 2 	1: 10.3x ↘ 2: 10.5x ↓ 3: 10.0 ↓ 4: 9.0 ← 5: 9.5 ← 6: 9.2 ↓ 7: 10.6x ← 8: 10.1 ↓ 9: 10.7x ↗ 10: 9.2 → Series 99.1 197.8
Series 3		1: 9.8 ↗ 2: 10.6x ↑ 3: 10.1 ↓ 4: 10.3x ← 5: 10.3x → 6: 10.4x ↗ 7: 10.1 ↗ 8: 10.2x ← 9: 9.4 ↗ 10: 8.6 ↗ Series 99.8 297.6	Series 4 	1: 10.7x ← 2: 9.5 ↓ 3: 9.8 ← 4: 10.0 ↑ 5: 10.4x ↗ 6: 10.4x ↓ 7: 10.2x ↓ 8: 9.7 ← 9: 9.3 ← 10: 10.3x → Series 100.3 397.9
Series 5		1: 10.1 ↘ 2: 10.2x ← 3: 9.3 ← 4: 10.3x ↓ 5: 9.3 ↑ 6: 10.2x ↗ 7: 10.3x ↓ 8: 10.0 ↗ 9: 10.7x ↓ 10: 10.0 ↓ Series 100.4 498.3	Series 6 	1: 10.8x ↓ 2: 10.0 ← 3: 10.6x ↗ 4: 9.7 ↗ 5: 8.6 ↓ 6: 9.2 ← 7: 10.3x ↑ 8: 9.1 ↘ 9: 9.7 ↗ 10: 9.9 ← Series 97.9 596.2



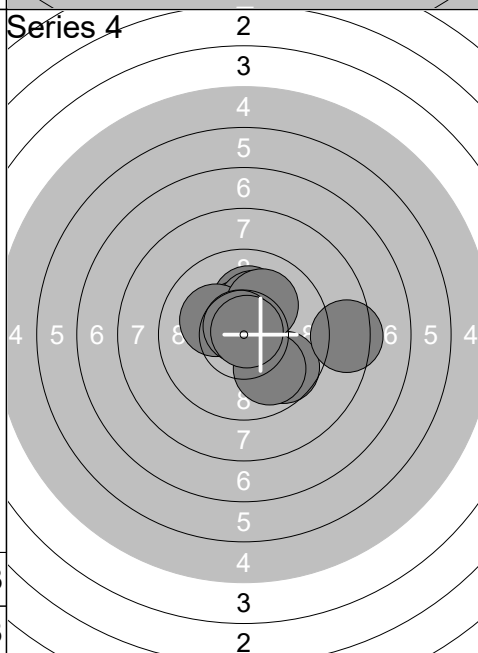
1:	10.2x ↑
2:	9.7 ←
3:	10.4x ↓
4:	10.6x ↗
5:	10.5x ↘
6:	10.5x ↘
7:	9.6 ←
8:	9.9 ←
9:	10.8x →
10:	9.8 ↑
Series	102.0
	102.0



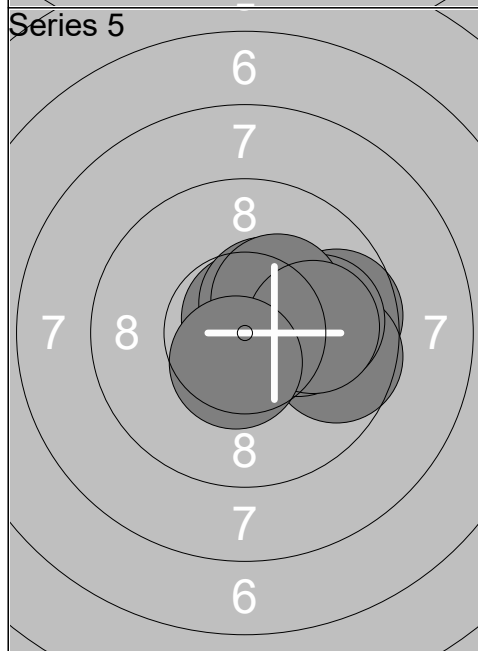
1:	10.2x ↙
2:	10.5x ↓
3:	9.6 →
4:	10.5x ↓
5:	10.5x ↗
6:	10.8x ↙
7:	10.2x ↓
8:	9.5 ↙
9:	9.7 ↓
10:	10.5x ↘
Series	102.0
	204.0



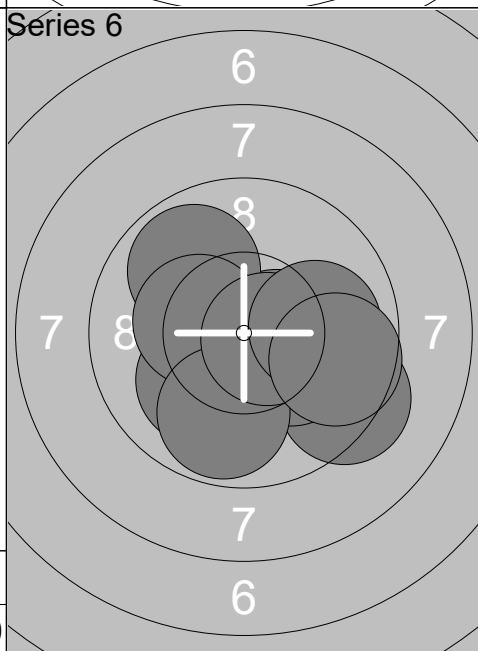
1:	10.6x →
2:	10.4x ↙
3:	10.0 ↑
4:	9.7 ←
5:	10.5x ↘
6:	10.3x ↑
7:	9.5 ←
8:	10.9x
9:	10.0 ↘
10:	9.4 ↗
Series	101.3
	305.3



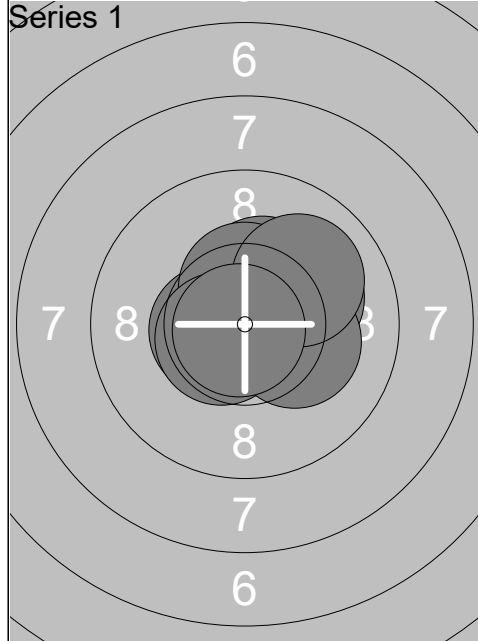
1:	10.1 ↑
2:	9.7 ↘
3:	10.5x ↑
4:	10.2x ↑
5:	10.2x ↙
6:	9.9 ↘
7:	10.1 ↗
8:	8.4 →
9:	10.7x ↗
10:	10.8x ↗
Series	100.6
	405.9



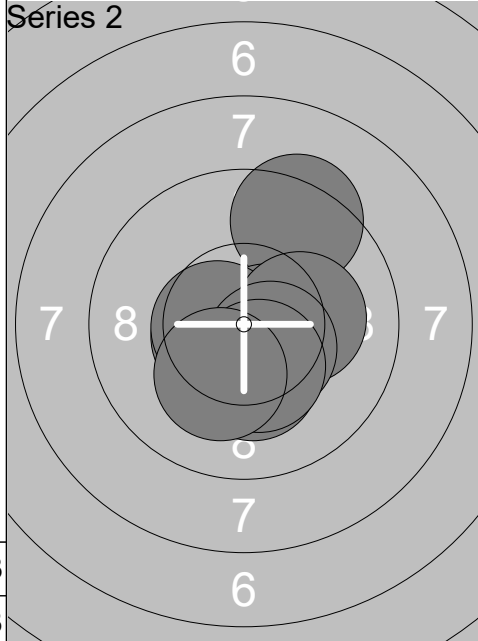
1:	9.7 →
2:	10.8x ↓
3:	9.6 →
4:	10.2x →
5:	10.7x ↑
6:	9.9 →
7:	10.4x ↗
8:	10.3x ↗
9:	10.0 →
10:	10.5x ↓
Series	102.1
	508.0



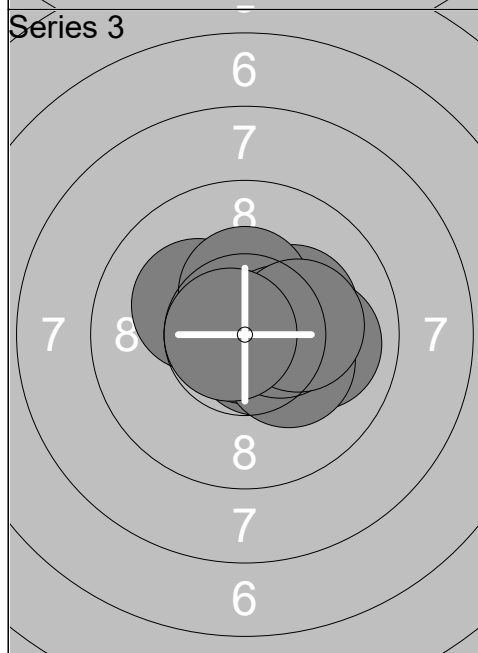
1:	10.1 ↘
2:	10.5x →
3:	9.3 ↘
4:	9.9 ↗
5:	10.2x ↘
6:	10.3x ↙
7:	9.8 ↓
8:	10.6x →
9:	10.0 →
10:	9.6 →
Series	100.3
	608.3



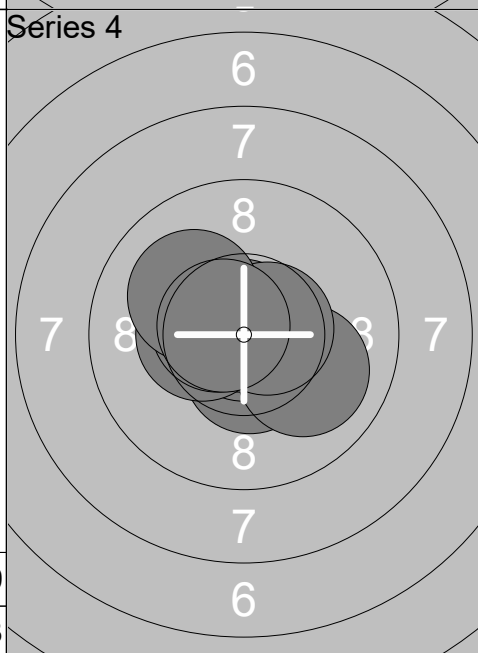
1:	10.3x ↗
2:	10.8x ↗
3:	10.1 ↗
4:	10.6x ↑
5:	10.5x ←
6:	10.4x ↑
7:	10.6x ↙
8:	10.2x →
9:	10.0 ↗
10:	10.8x ↙
Series	104.3
	104.3



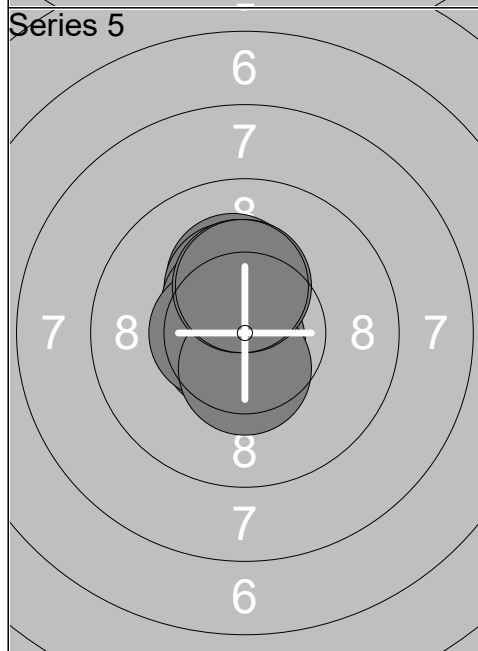
1:	9.4 ↗
2:	10.5x ↙
3:	10.6x →
4:	10.3x ↓
5:	10.6x ↓
6:	10.6x ←
7:	10.2x →
8:	10.4x ↘
9:	10.3x ↓
10:	10.2x ↓
Series	103.1
	207.4



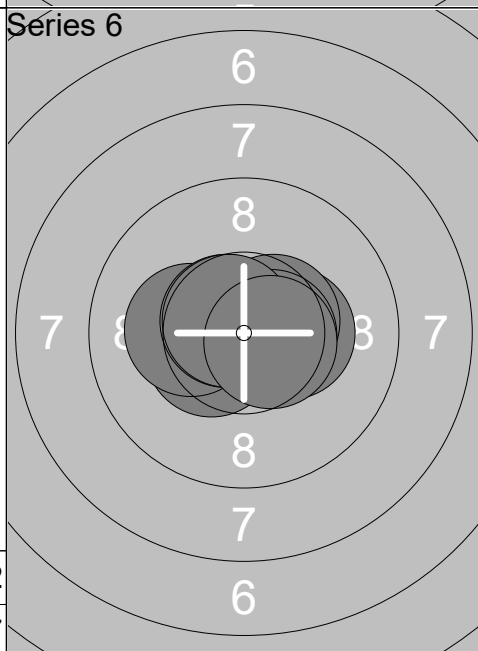
1:	10.2x ↙
2:	10.2x ↗
3:	10.6x ↘
4:	10.4x ↑
5:	10.0 →
6:	10.9x ↘
7:	10.2x →
8:	10.5x →
9:	10.2x →
10:	10.7x ←
Series	103.9
	311.3



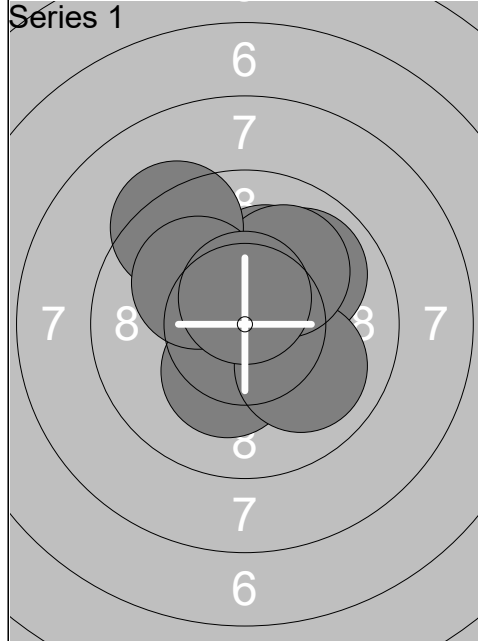
1:	10.8x ↓
2:	10.5x ↓
3:	10.9x
4:	10.0 →
5:	10.8x ↗
6:	10.6x →
7:	10.4x ←
8:	10.5x ←
9:	10.1 ↙
10:	10.6x ↙
Series	105.2
	416.5



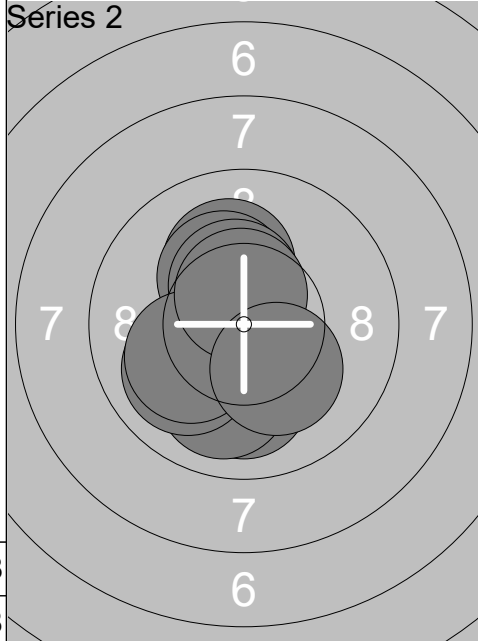
1:	10.2x ↑
2:	10.6x ↙
3:	10.8x ↘
4:	10.3x ↑
5:	10.5x ↙
6:	10.5x ←
7:	10.4x ↓
8:	10.3x ↑
9:	10.3x ↑
10:	10.3x ↑
Series	104.2
	520.7



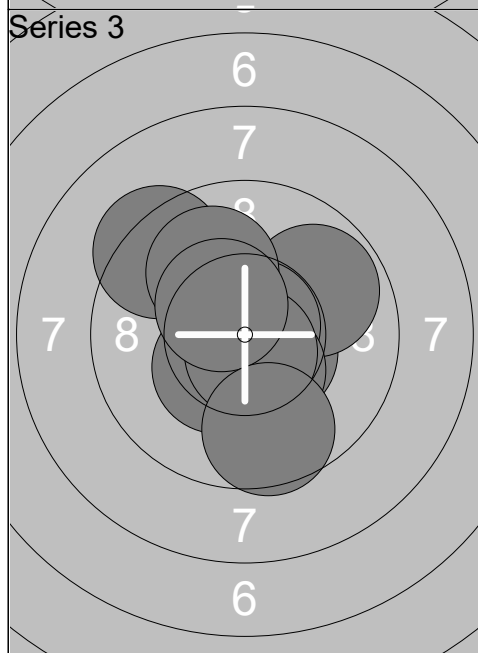
1:	10.3x ←
2:	10.3x →
3:	10.7x ↗
4:	10.4x ↙
5:	10.2x ←
6:	10.6x ↙
7:	10.5x →
8:	10.6x →
9:	10.7x ↙
10:	10.5x →
Series	104.8
	625.5



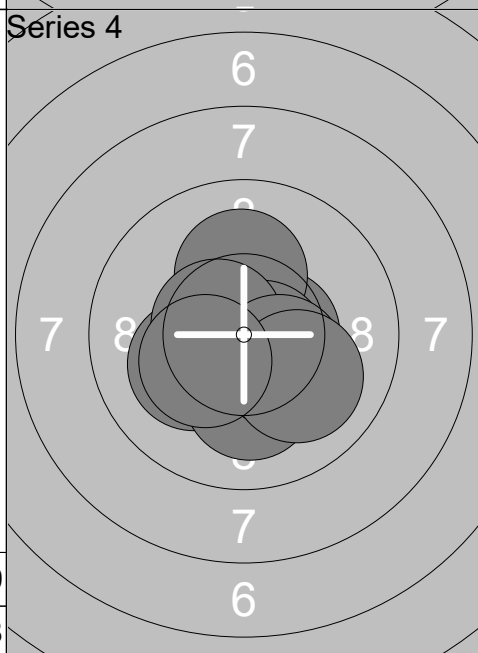
1:	10.6x ↑
2:	10.1 ↑
3:	9.9 ↗
4:	10.8x ↗
5:	10.3x ↓
6:	10.0 ↘
7:	10.1 ↗
8:	9.3 ↑
9:	10.1 ↖
10:	10.6x ↑
Series	101.8
	101.8



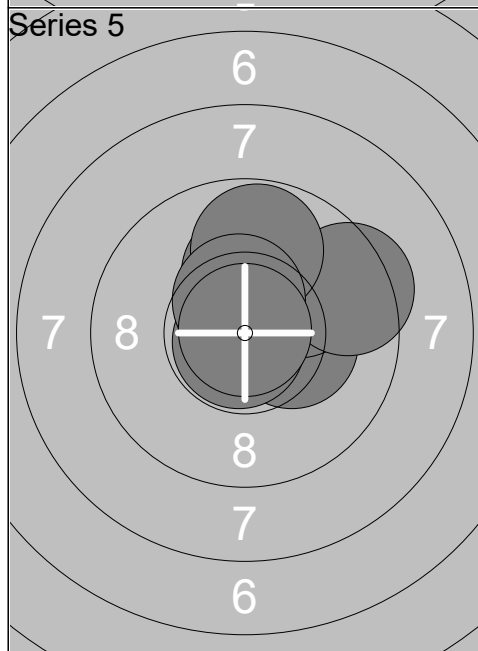
1:	10.1 ↑
2:	10.0 ↓
3:	10.6x ←
4:	10.2x ↑
5:	10.0 ↓
6:	10.4x ↑
7:	10.0 ↙
8:	10.1 ↙
9:	10.5x ↑
10:	10.2x ↘
Series	102.1
	203.9



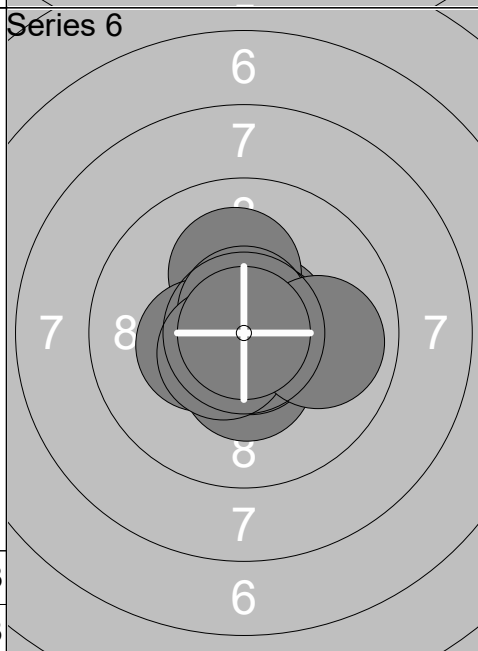
1:	10.5x ↘
2:	9.3 ↖
3:	9.8 ↗
4:	10.8x ↗
5:	10.4x ↓
6:	10.4x ↙
7:	10.0 ↑
8:	10.7x ↓
9:	10.4x ↖
10:	9.6 ↓
Series	101.9
	305.8



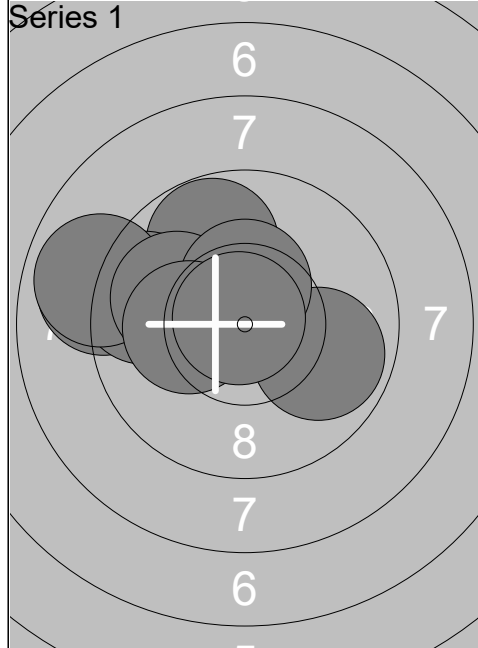
1:	10.7x ↓
2:	10.1 ↙
3:	10.5x →
4:	10.1 ↑
5:	10.6x ↘
6:	10.5x ←
7:	10.1 ↓
8:	10.3x ↘
9:	10.0 ↘
10:	10.3x ↙
Series	103.2
	409.0



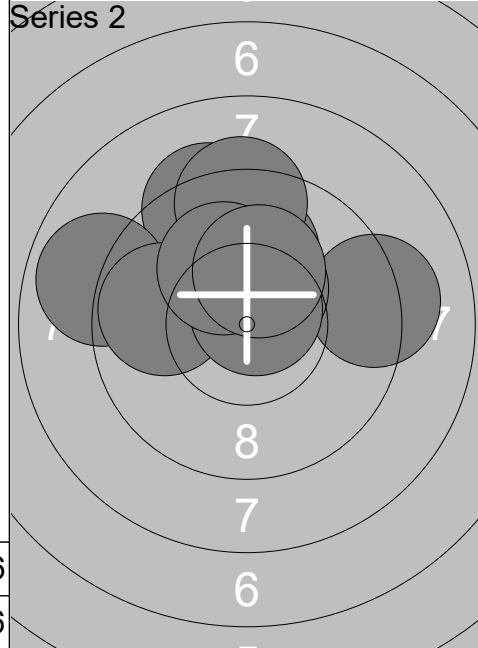
1:	10.7x ↑
2:	10.8x ↓
3:	10.3x →
4:	10.1 ↑
5:	10.0 ↗
6:	9.4 ↗
7:	10.8x ↙
8:	9.8 ↑
9:	10.5x ↑
10:	10.9x ↑
Series	103.3
	512.3



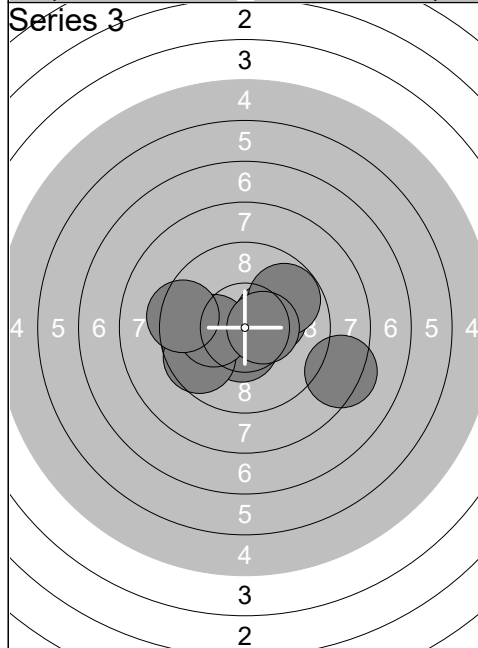
1:	10.6x ↗
2:	10.1 ↑
3:	10.7x →
4:	10.3x ↓
5:	10.4x ←
6:	10.6x ↑
7:	10.7x ↓
8:	10.5x ↙
9:	9.9 →
10:	10.9x
Series	104.7
	617.0



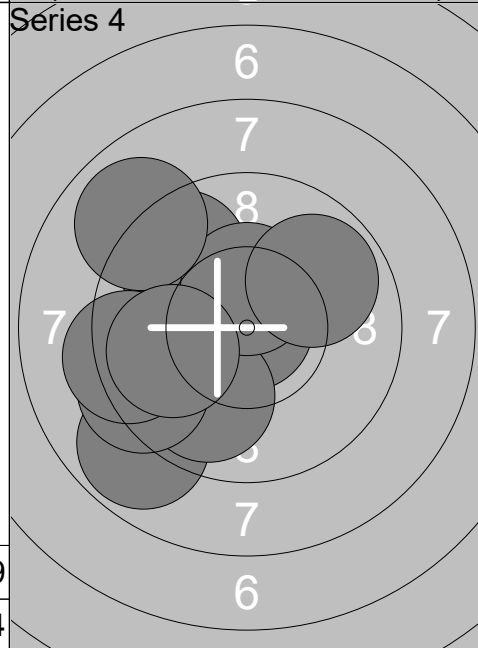
1:	10.2x ↗
2:	9.8 ➡
3:	9.0 ←
4:	9.8 ↑
5:	9.5 ←
6:	8.9 ←
7:	10.0 ←
8:	10.4x ↑
9:	10.2x ←
10:	10.8x ↗
Series	98.6
	98.6



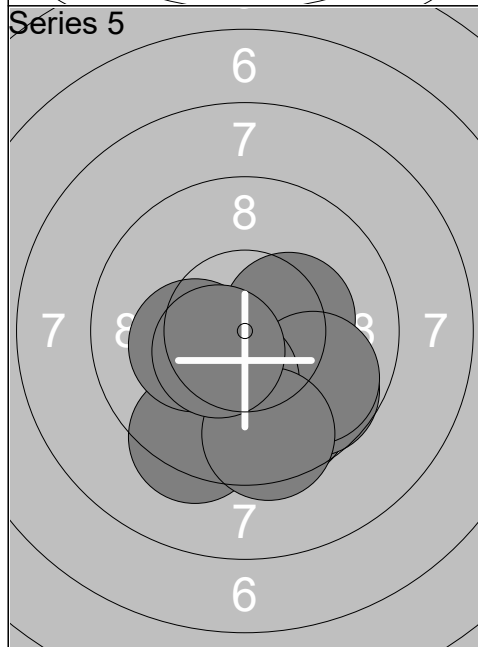
1:	9.3 ↑
2:	8.9 ←
3:	9.8 ←
4:	9.2 ➡
5:	10.0 ↑
6:	10.4x ↑
7:	9.3 ↑
8:	10.7x ↗
9:	10.1 ↗
10:	10.2x ↑
Series	97.9
	196.5



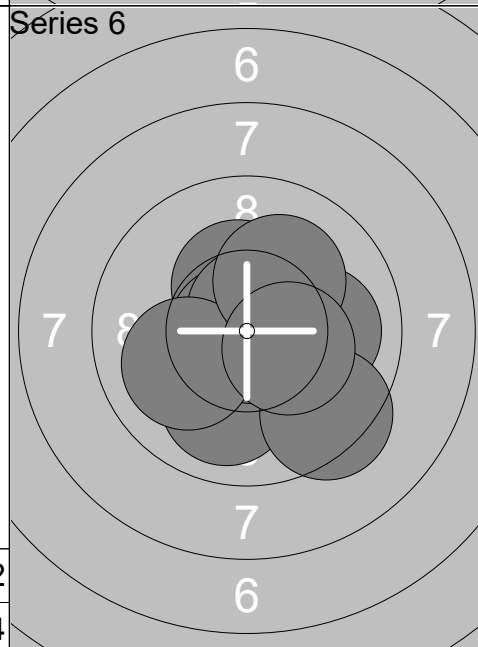
1:	10.2x ➡
2:	8.3 ➡
3:	9.7 ←
4:	9.8 ←
5:	9.7 ↗
6:	10.5x ↓
7:	9.6 ←
8:	10.2x ←
9:	10.5x ➡
10:	9.4 ←
Series	97.9
	294.4



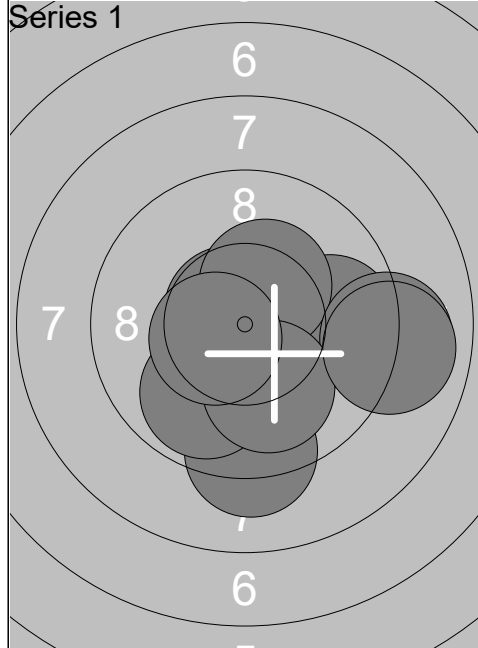
1:	8.8 ↙
2:	9.6 ↗
3:	10.9x ↑
4:	9.9 ↙
5:	10.4x ↑
6:	9.3 ←
7:	8.9 ↗
8:	9.3 ←
9:	9.8 ↗
10:	9.9 ←
Series	96.8
	391.2



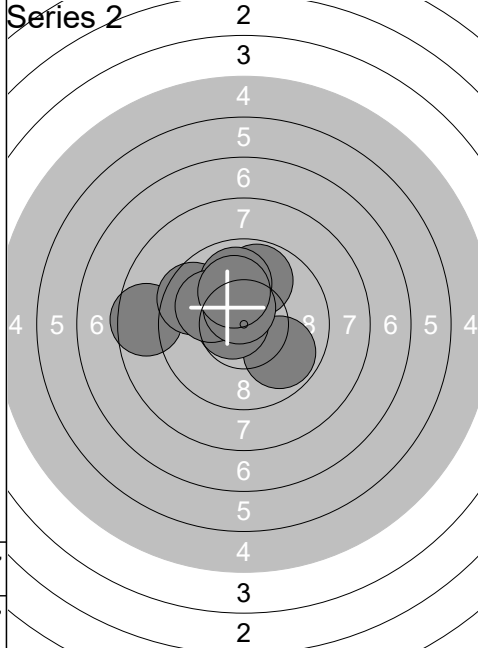
1:	10.3x ➡
2:	10.0 ↓
3:	9.7 ↓
4:	9.7 ↓
5:	9.8 ↘
6:	10.2x ↓
7:	9.3 ↓
8:	9.5 ↓
9:	10.2x ←
10:	10.5x ↙
Series	99.2
	490.4



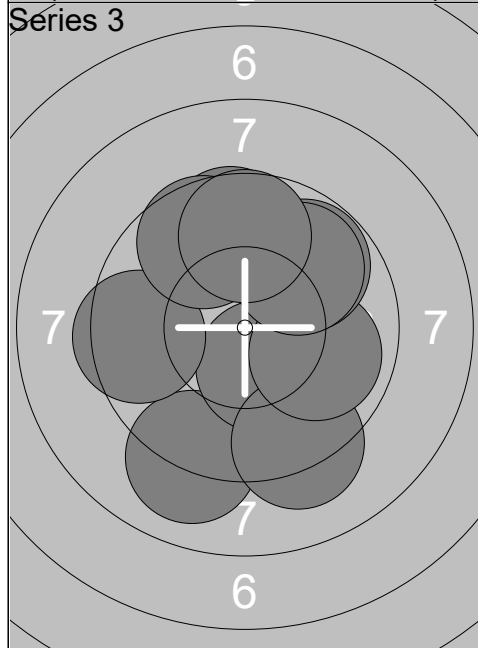
1:	10.0 ↓
2:	10.8x ↘
3:	10.3x ↑
4:	10.8x ←
5:	10.7x ↑
6:	10.0 ➡
7:	9.4 ↘
8:	10.0 ←
9:	10.1 ↗
10:	10.3x ➡
Series	102.4
	592.8



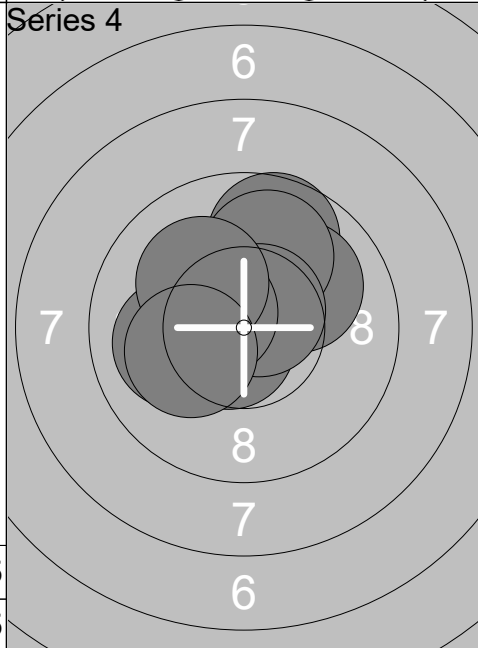
1:	10.7x ↖
2:	10.3x ↓
3:	9.8 →
4:	9.2 ↓
5:	9.9 ↓
6:	10.3x ↗
7:	9.0 →
8:	10.0 ↓
9:	10.5x ↙
10:	9.0 →
Series	98.7
	98.7



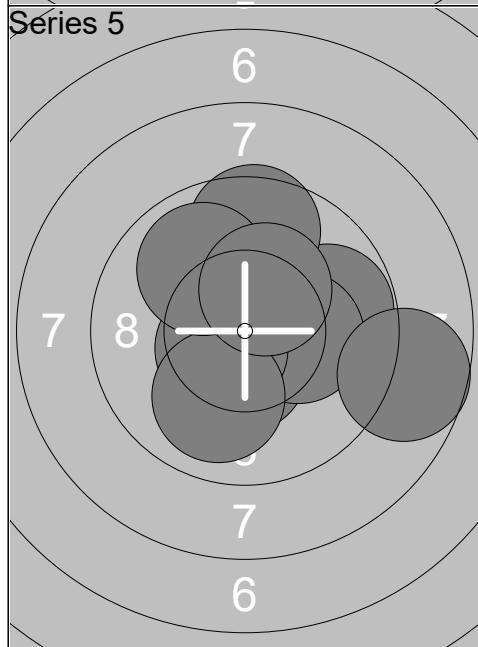
1:	8.5 ←
2:	10.6x ↗
3:	9.8 ↘
4:	9.8 ↗
5:	9.5 ↖
6:	10.6x ↙
7:	9.9 ↗
8:	10.0 ↖
9:	10.5x ↗
10:	10.1 ↗
Series	99.3
	198.0



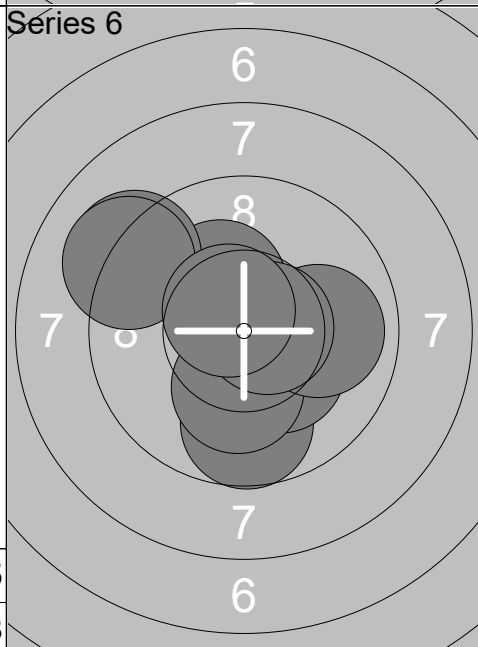
1:	9.0 ↓
2:	10.4x ↓
3:	9.2 ↓
4:	9.5 ←
5:	9.9 →
6:	9.8 ↗
7:	9.6 ↗
8:	9.6 ↗
9:	9.8 ↗
10:	9.7 ↗
Series	96.5
	294.5



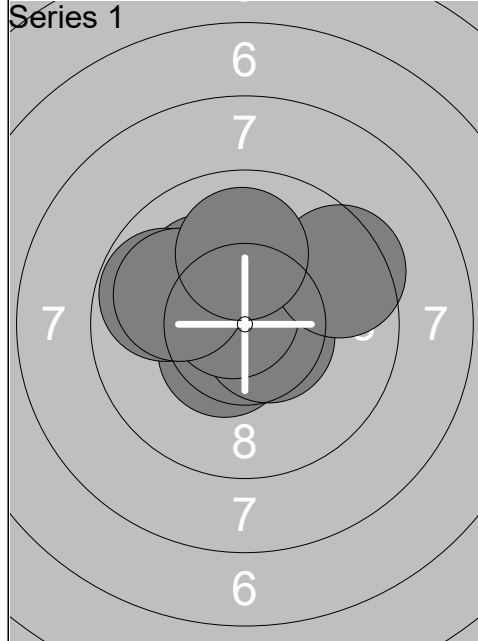
1:	9.7 ↗
2:	10.0 ↗
3:	10.7x ↙
4:	10.3x ↗
5:	9.9 ↗
6:	10.6x ↗
7:	10.0 ←
8:	10.4x ↙
9:	10.1 ↖
10:	10.1 ↙
Series	101.8
	396.3



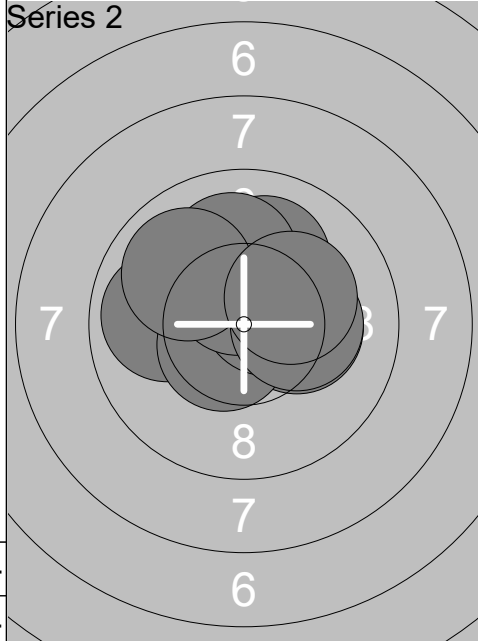
1:	10.4x ↓
2:	9.8 →
3:	10.2x →
4:	10.5x ↙
5:	10.1 ↗
6:	9.6 ↗
7:	10.0 ↓
8:	9.9 ↖
9:	10.3x ↗
10:	8.7 →
Series	99.5
	495.8



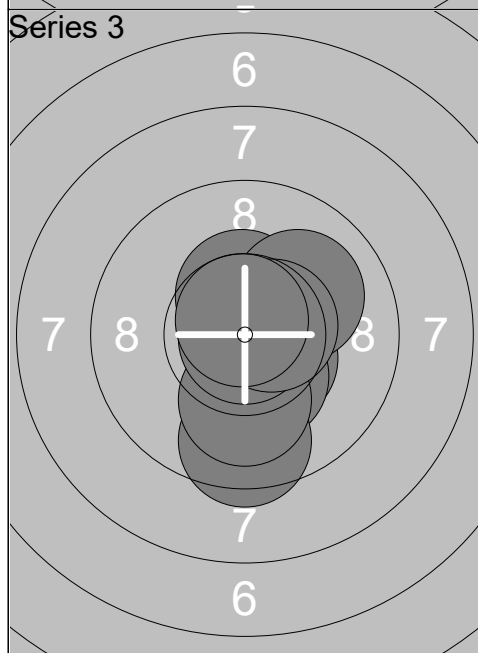
1:	9.7 ↓
2:	10.3x ↘
3:	10.1 ↓
4:	10.3x ↗
5:	10.3x ↗
6:	9.9 →
7:	9.1 ↖
8:	9.1 ↖
9:	10.6x →
10:	10.6x ↖
Series	100.0
	595.8



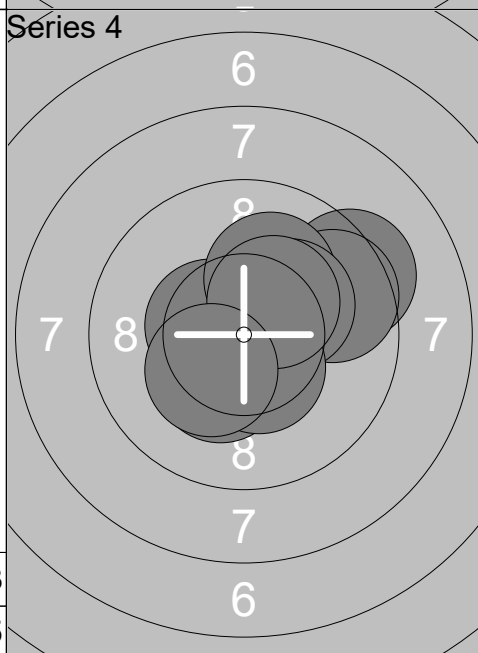
1:	10.9x
2:	10.4x ↗
3:	10.1 ↖
4:	10.5x ↘
5:	9.8 ←
6:	10.6x →
7:	10.7x ↗
8:	9.5 ↗
9:	9.9 ←
10:	10.0 ↑
Series	102.4
	102.4



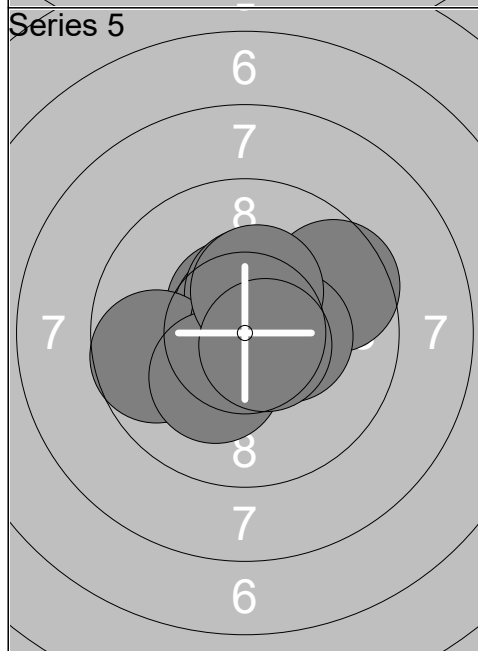
1:	9.9 ←
2:	10.2x →
3:	10.5x ↘
4:	10.0 ↑
5:	10.5x ↗
6:	10.4x ↑
7:	10.0 ↑
8:	9.9 ↖
9:	10.2x →
10:	10.2x ↗
Series	101.8
	204.2



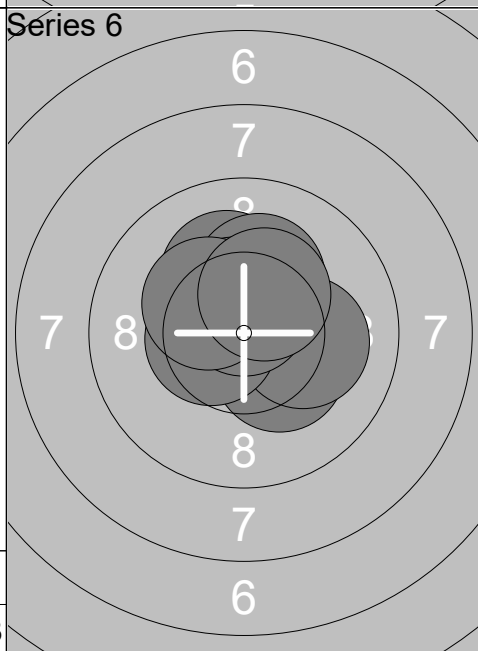
1:	10.4x ↘
2:	10.4x ↑
3:	10.6x ↘
4:	10.3x ↘
5:	10.0 ↗
6:	9.5 ↓
7:	10.0 ↓
8:	10.9x ↓
9:	10.5x →
10:	10.7x ↑
Series	103.3
	307.5



1:	9.3 ↗
2:	9.6 ↗
3:	10.7x ↗
4:	10.3x ↘
5:	10.5x ←
6:	10.1 ↑
7:	10.2x ↗
8:	10.4x ↘
9:	10.3x ↗
10:	10.3x ↘
Series	101.7
	409.2



1:	10.5x ↖
2:	9.6 ↗
3:	10.4x →
4:	10.7x ↑
5:	10.4x ↑
6:	9.7 ←
7:	10.7x ↗
8:	10.2x ↘
9:	10.3x ↑
10:	10.6x →
Series	103.1
	512.3



1:	10.4x ↑
2:	10.1 ↑
3:	10.3x ↘
4:	10.1 →
5:	10.5x ←
6:	10.2x ↑
7:	10.5x ↑
8:	10.6x ↑
9:	10.3x ↖
10:	10.3x ↗
Series	103.3
	615.6

Relay	Lane	Name		
1	30	Andreas Zeeberg		
1 Air Qualification		DEN	MJ	
18.02.2023		DENMARK OPEN AIR 2023 DAY2	Danmark Open Air 2023	
Series 1		1: 9.8 → 2: 9.3 ← 3: 9.8 ← 4: 10.3x ↑ 5: 8.3 → 6: 8.4 → 7: 9.3 ↘ 8: 9.8 ↗ 9: 8.1 ← 10: 9.2 ↓ Series 92.3 92.3	Series 2 	1: 10.3x → 2: 9.7 ← 3: 10.0 → 4: 10.1 ↗ 5: 9.3 ↗ 6: 8.6 ← 7: 10.3x ↑ 8: 9.7 ← 9: 8.6 ← 10: 9.6 → Series 96.2 188.5
Series 3		1: 10.2x ↘ 2: 9.8 ↑ 3: 10.2x ↑ 4: 10.5x ← 5: 9.7 → 6: 10.0 → 7: 10.5x → 8: 9.9 ↓ 9: 9.2 ↑ 10: 10.1 ← Series 100.1 288.6	Series 4 	1: 10.0 ← 2: 9.2 ↘ 3: 10.7x ↓ 4: 9.9 → 5: 10.6x ↖ 6: 10.8x ↖ 7: 8.8 → 8: 9.3 ↘ 9: 10.1 ↖ 10: 9.4 ↘ Series 98.8 387.4
Series 5		1: 9.9 → 2: 10.6x ↓ 3: 10.1 → 4: 8.3 ↘ 5: 9.8 ↓ 6: 10.1 ↘ 7: 10.1 → 8: 8.8 → 9: 9.9 ← 10: 8.1 ← Series 95.7 483.1	Series 6 	1: 9.3 ← 2: 9.4 ← 3: 9.7 → 4: 8.7 → 5: 9.6 → 6: 9.6 ↗ 7: 10.8x ↑ 8: 8.4 ← 9: 10.4x ↖ 10: 10.1 → Series 96.0 579.1