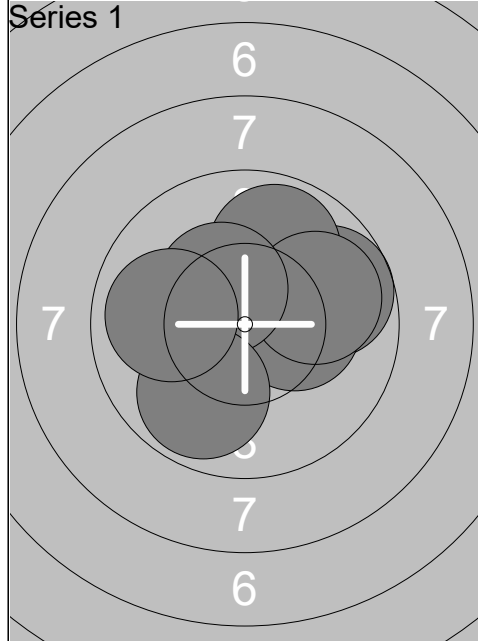
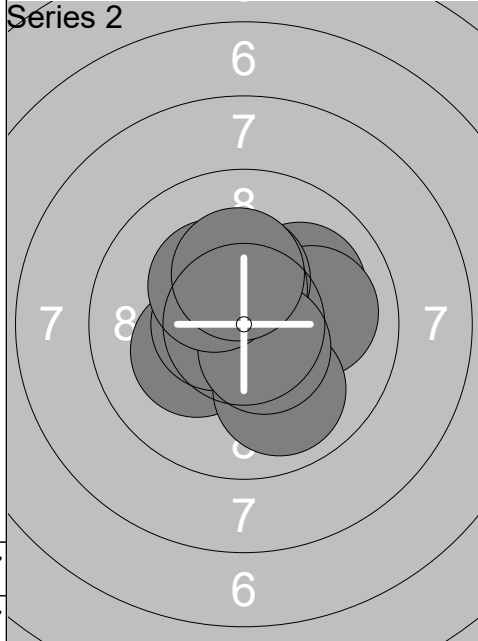


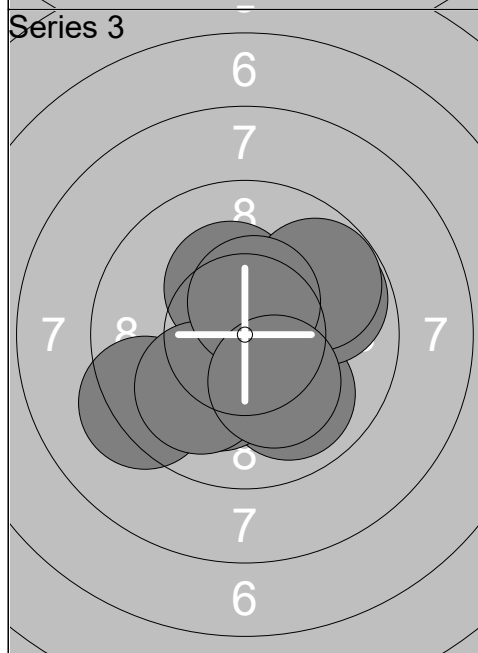
Relay	Lane	Emil Ala-Kulju	
4	1		
1 Air Qualification		SWE	M
18.02.2023		DENMARK OPEN AIR 2023 DAY2	Danmark Open Air 2023
Series 1		1: 10.1 ← 2: 10.1 ← 3: 9.0 ↘ 4: 9.6 ↓ 5: 10.3x← 6: 9.8 ↗ 7: 10.6x↗ 8: 9.2 ← 9: 9.4 ↗ 10: 8.9 ↘ Series 97.0 97.0	Series 2 1: 9.6 ↗ 2: 9.9 → 3: 10.7x→ 4: 10.3x↙ 5: 10.1 ↙ 6: 9.2 ↑ 7: 10.3x→ 8: 10.2x↓ 9: 9.7 ← 10: 10.1 ← Series 100.1 197.1
Series 3		1: 8.4 ← 2: 9.9 ← 3: 9.8 ↘ 4: 10.0 ↘ 5: 9.8 → 6: 10.1 ← 7: 9.7 ← 8: 10.2x← 9: 10.5x← 10: 9.8 ↗ Series 98.2 295.3	Series 4 1: 9.7 ↓ 2: 10.2x→ 3: 9.0 ← 4: 10.8x↙ 5: 9.5 ← 6: 9.8 ↓ 7: 9.9 ↑ 8: 9.9 ← 9: 9.7 ← 10: 9.4 → Series 97.9 393.2
Series 5		1: 9.9 ↗ 2: 10.1 → 3: 10.3x↗ 4: 10.0 ↗ 5: 10.8x↑ 6: 9.4 ↘ 7: 9.7 ↓ 8: 10.3x↗ 9: 10.1 ↓ 10: 9.0 → Series 99.6 492.8	Series 6 1: 10.3x→ 2: 10.7x→ 3: 10.0 ↗ 4: 8.9 → 5: 10.1 ↓ 6: 10.7x↓ 7: 10.4x→ 8: 9.7 → 9: 10.2x↓ 10: 10.5x↓ Series 101.5 594.3



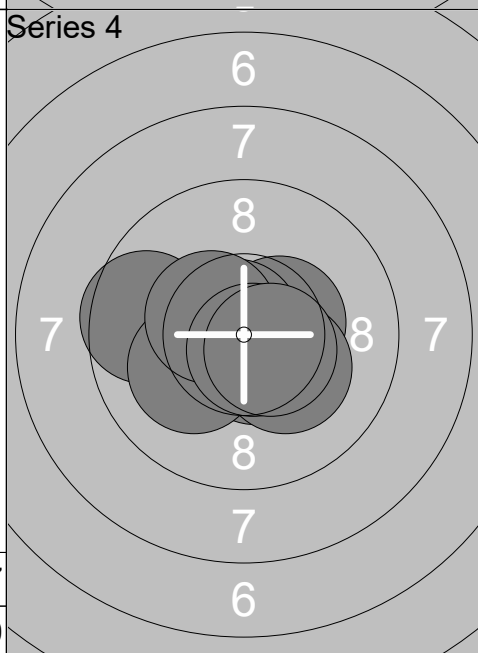
1:	10.7x ↗
2:	10.6x ↙
3:	9.7 →
4:	9.8 ↑
5:	10.6x ↙
6:	10.2x →
7:	9.9 →
8:	10.4x ↗
9:	9.9 ↓
10:	9.9 ←
Series	101.7
	101.7



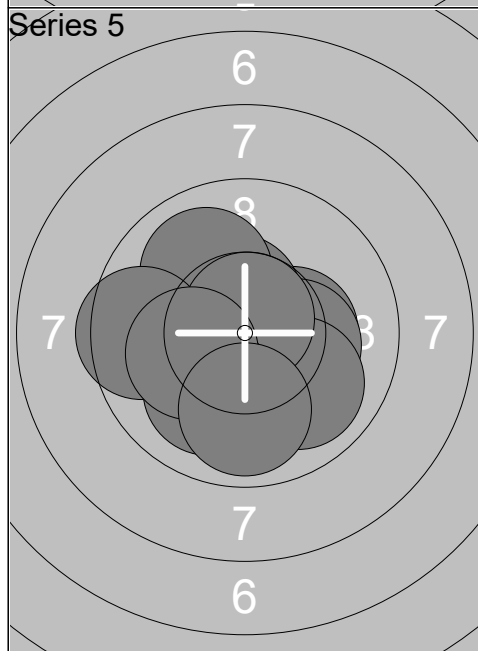
1:	10.0 ↗
2:	10.2x ↙
3:	10.6x ↙
4:	10.0 →
5:	9.9 ↓
6:	10.3x ↑
7:	10.5x ↑
8:	10.5x ↘
9:	10.3x ↗
10:	10.3x ↑
Series	102.6
	204.3



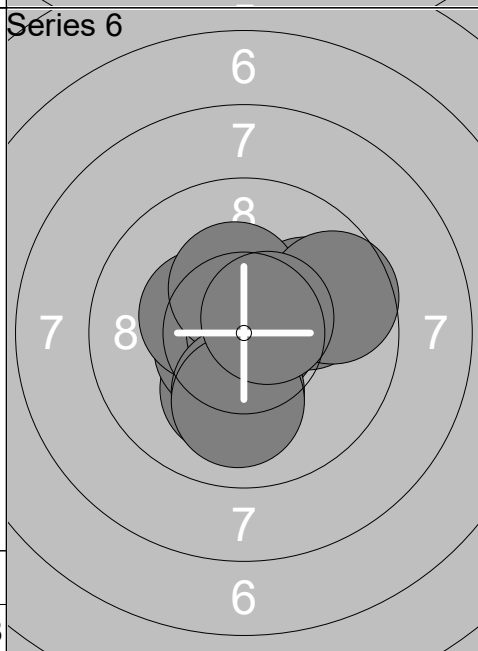
1:	10.9x →
2:	9.3 ↙
3:	9.9 ↓
4:	10.2x ↑
5:	10.2x ↘
6:	9.8 →
7:	9.7 ↗
8:	10.0 ↘
9:	10.5x ↑
10:	10.2x ↘
Series	100.7
	305.0



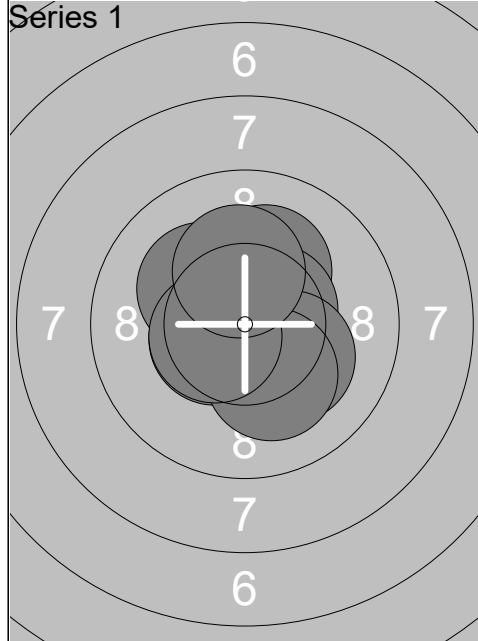
1:	10.4x →
2:	10.8x ↗
3:	10.4x ↙
4:	9.6 ←
5:	10.6x ↘
6:	10.1 ↙
7:	10.4x ↗
8:	10.2x ↘
9:	10.7x ↘
10:	10.5x ↘
Series	103.7
	408.7



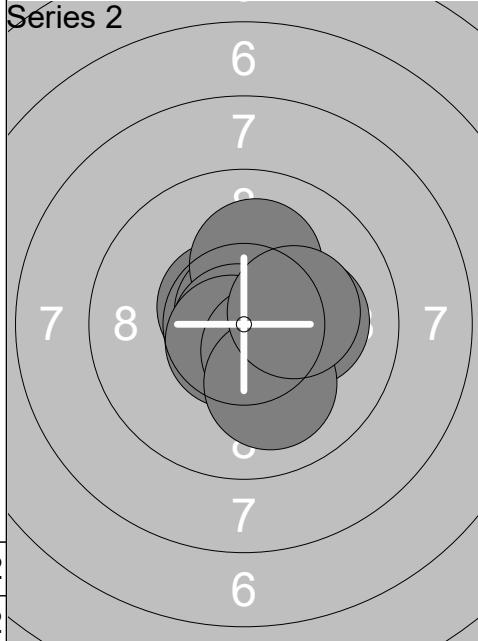
1:	10.3x →
2:	10.2x →
3:	9.9 ↓
4:	10.5x ↑
5:	10.0 ↗
6:	10.7x ↑
7:	9.5 ←
8:	10.0 ↓
9:	10.1 ←
10:	9.9 ↓
Series	101.1
	509.8



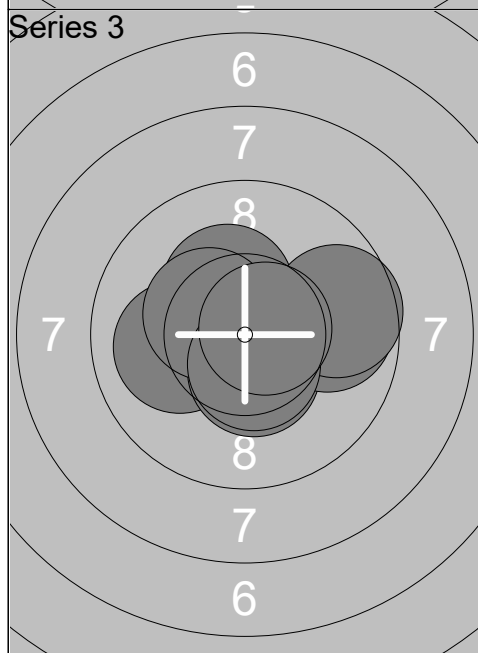
1:	10.1 ↓
2:	10.5x ↙
3:	10.4x ↙
4:	10.0 →
5:	10.8x →
6:	10.3x ↑
7:	10.1 ↓
8:	9.6 →
9:	10.0 ↓
10:	10.6x ↗
Series	102.4
	612.2



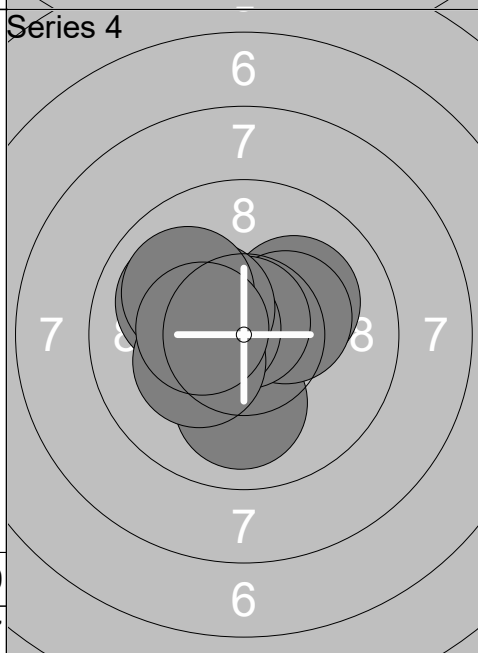
1:	10.4x ↘
2:	10.5x ↙
3:	10.3x ↑
4:	10.2x ↑
5:	10.2x ↖
6:	10.5x ↗
7:	10.2x ↘
8:	10.2x ↘
9:	10.5x ↙
10:	10.2x ↑
Series	103.2
	103.2



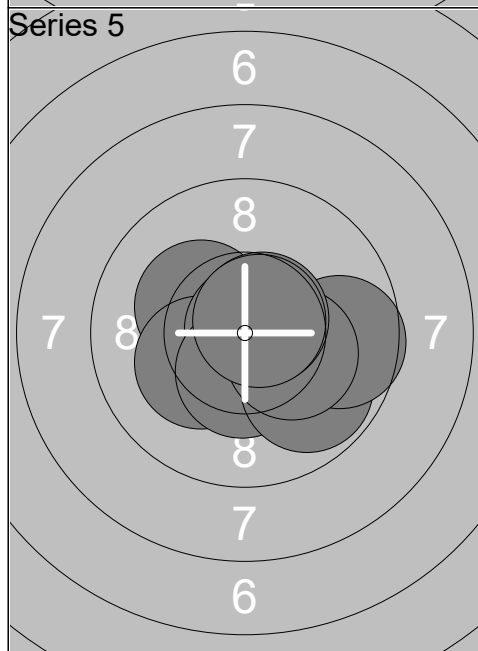
1:	10.6x ↖
2:	10.8x ↑
3:	10.8x ↑
4:	10.1 ↑
5:	10.1 →
6:	10.8x ↙
7:	10.6x ↘
8:	10.4x ↘
9:	10.1 ↘
10:	10.2x →
Series	104.5
	207.7



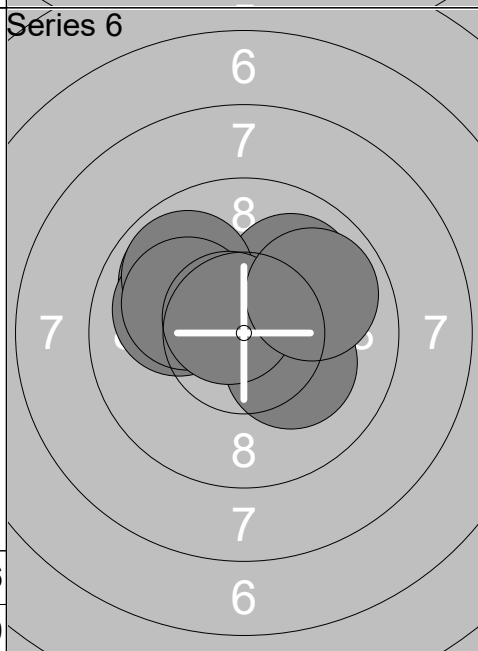
1:	10.5x ↙
2:	10.0 ←
3:	10.4x ↘
4:	10.3x ↗
5:	10.9x →
6:	9.8 →
7:	9.6 →
8:	10.4x ↖
9:	10.5x ↘
10:	10.6x →
Series	103.0
	310.7



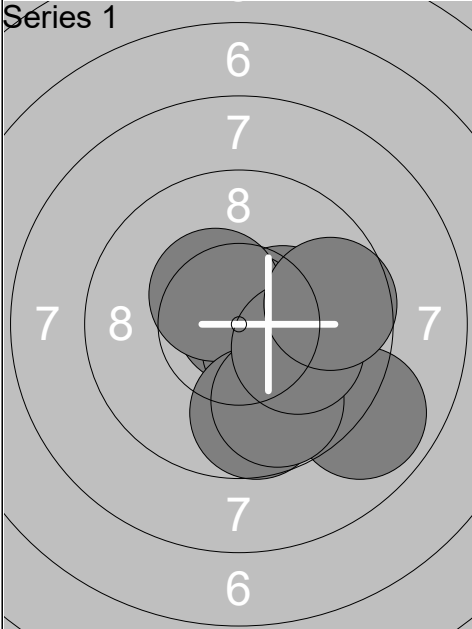
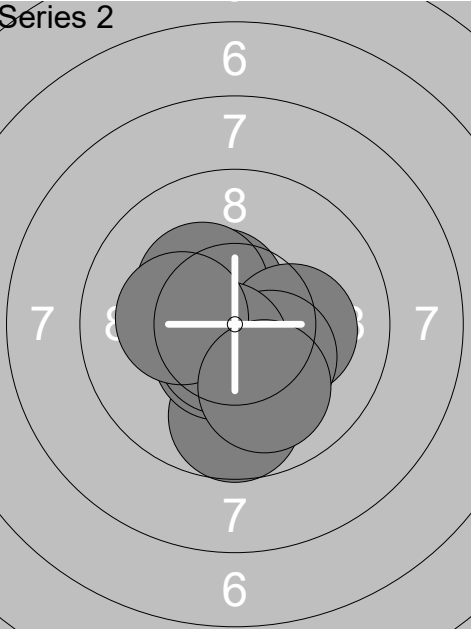
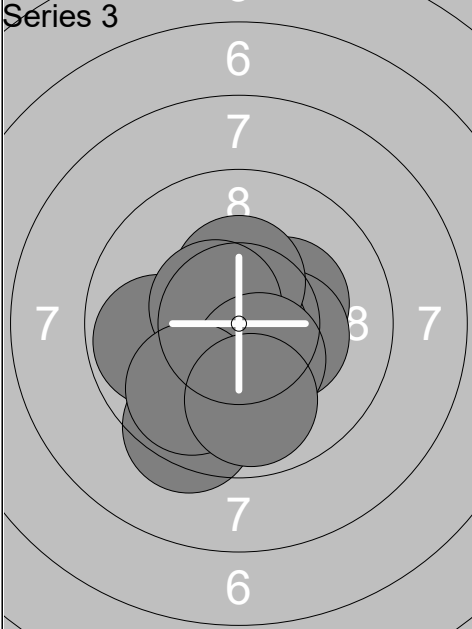
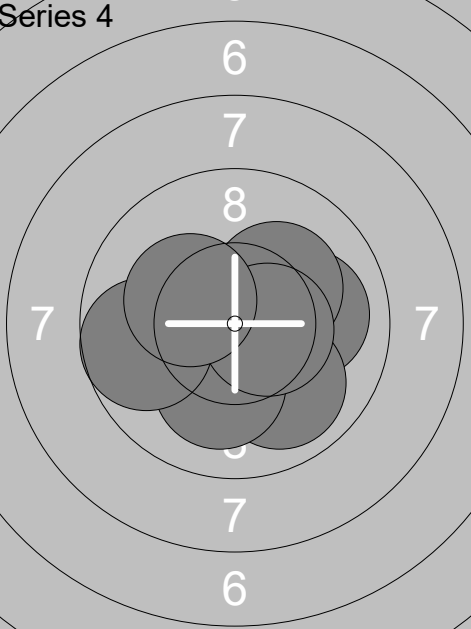
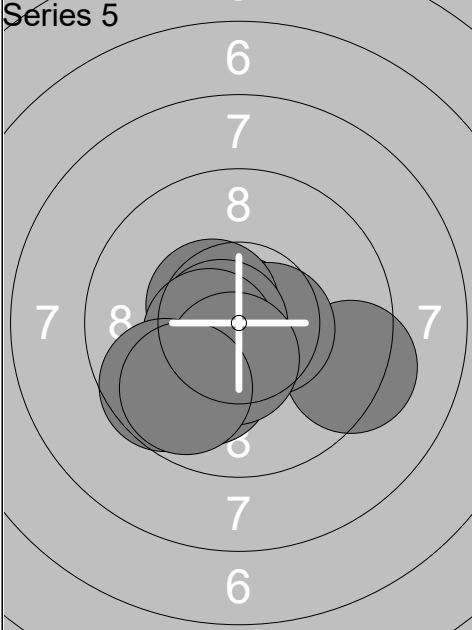
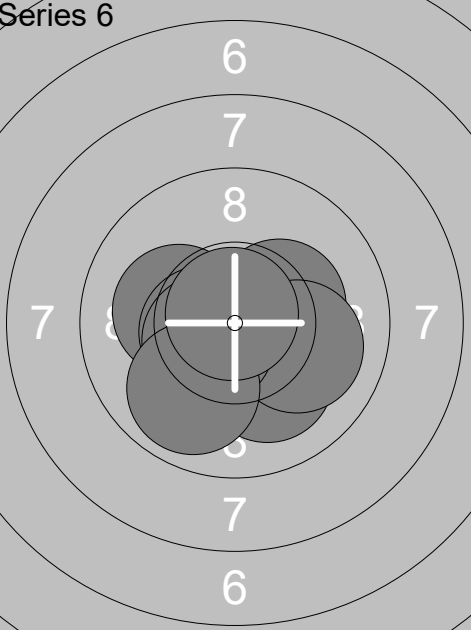
1:	10.0 ↖
2:	10.1 ↗
3:	10.0 ↘
4:	10.3x ↗
5:	10.8x ↑
6:	10.5x ↙
7:	10.3x ↖
8:	10.2x ↙
9:	10.0 ↖
10:	10.4x ↙
Series	102.6
	413.3



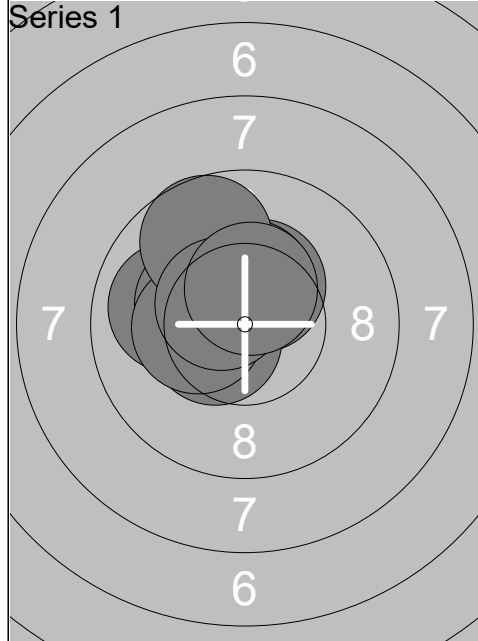
1:	10.2x ↖
2:	10.0 →
3:	10.2x ↙
4:	10.8x ↗
5:	10.4x ↘
6:	9.8 ↘
7:	9.7 →
8:	10.2x ↘
9:	10.6x ↗
10:	10.7x ↗
Series	102.6
	515.9



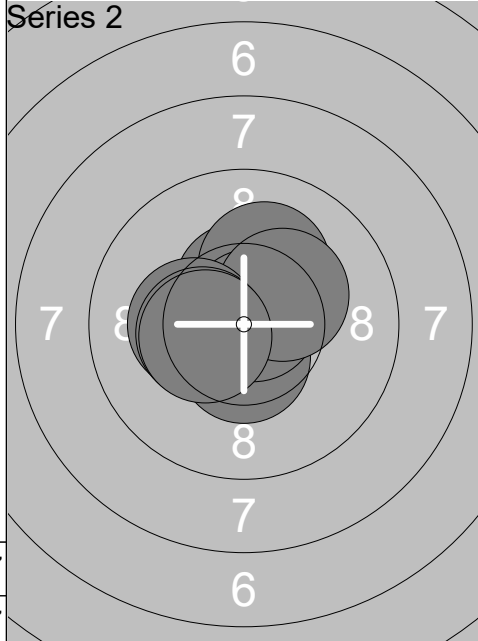
1:	9.9 ↖
2:	10.5x ↗
3:	10.1 ↗
4:	9.9 ↗
5:	10.0 ↙
6:	10.1 ↘
7:	9.8 ↗
8:	10.1 ↖
9:	10.6x ↖
10:	9.9 ↗
Series	100.9
	616.8

Relay	Lane	Jens Frimann			
4	5	DEN		M	
1 Air Qualification		DENMARK OPEN AIR 2023 DAY2		Danmark Open Air 2023	
18.02.2023					
Series 1		1: 10.3x → 2: 10.9x ↗ 3: 9.8 ↘ 4: 8.9 ↘ 5: 10.4x ↘ 6: 10.4x ↗ 7: 9.7 ↘ 8: 9.7 ↘ 9: 10.1 → 10: 9.7 → Series 99.9 99.9	Series 2		1: 10.5x ↖ 2: 10.3x ↖ 3: 9.7 ↓ 4: 10.6x ↓ 5: 10.5x ↓ 6: 10.1 → 7: 10.3x ↘ 8: 10.5x ↓ 9: 10.2x ← 10: 10.0 ↓ Series 102.7 202.6
Series 3		1: 9.4 ↓ 2: 10.2x → 3: 9.8 ← 4: 10.3x → 5: 10.8x ↓ 6: 10.4x ↑ 7: 10.5x ↖ 8: 10.4x ↓ 9: 9.9 ↓ 10: 9.9 ↓ Series 101.6 304.2	Series 4		1: 10.8x ↓ 2: 10.6x → 3: 10.0 → 4: 9.9 ↓ 5: 10.4x ← 6: 10.2x ↗ 7: 10.1 ↓ 8: 10.5x → 9: 9.7 ← 10: 10.3x ↖ Series 102.5 406.7
Series 5		1: 10.9x 2: 9.3 → 3: 10.5x → 4: 10.0 ↓ 5: 10.5x ↖ 6: 10.7x ← 7: 10.5x ← 8: 10.4x ↓ 9: 9.6 ← 10: 9.8 ↓ Series 102.2 508.9	Series 6		1: 10.3x ↙ 2: 10.2x ← 3: 10.2x ↘ 4: 10.1 ↓ 5: 10.3x → 6: 10.0 → 7: 10.5x ← 8: 10.5x ← 9: 9.9 ↓ 10: 10.8x ↗ Series 102.8 611.7

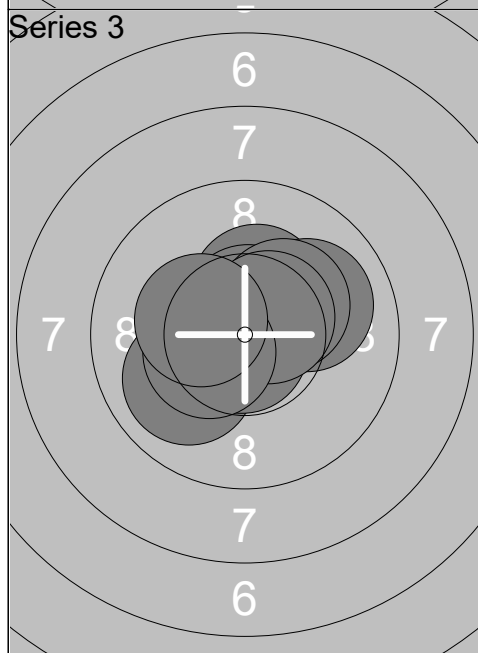
Relay	Lane	Anders Henricsson		
4	6	SWE		M
1 Air Qualification		DENMARK OPEN AIR 2023 DAY2		Danmark Open Air 2023
18.02.2023				
Series 1		1: 10.1 ←	Series 2	
		2: 10.8x ↓		
		3: 10.5x →	1: 10.3x ↓	
		4: 10.5x ↑	2: 10.5x ↗	
		5: 10.9x ↘	3: 10.0 ↗	
		6: 10.5x ↓	4: 9.9 ↗	
		7: 10.7x ↓	5: 10.7x ↖	
		8: 10.1 ↓	6: 10.0 ←	
		9: 9.6 ↘	7: 10.2x ↓	
		10: 10.1 ↗	8: 10.9x ↗	
			9: 10.7x ↖	
			10: 10.3x ↓	
		Series 103.8	Series 103.5	
		103.8	207.3	
Series 3		Series 4		
		1: 10.3x ↓	1: 9.9 ↗	
		2: 10.8x ←	2: 10.2x ↑	
		3: 10.6x ↑	3: 10.3x ↓	
		4: 10.6x ↑	4: 10.5x ↖	
		5: 10.3x ↗	5: 10.3x ↓	
		6: 10.3x ↖	6: 10.1 ←	
		7: 10.3x ↖	7: 10.2x ←	
		8: 10.2x ↓	8: 10.3x ↖	
		9: 10.1 ↓	9: 9.7 ↑	
		10: 9.6 ↖	10: 10.0 ←	
		Series 103.1	Series 101.5	
		310.4	411.9	
Series 5		Series 6		
		1: 9.4 ↗	1: 10.8x →	
		2: 10.6x ↘	2: 10.2x ↗	
		3: 10.7x →	3: 10.2x ↖	
		4: 9.4 ↗	4: 10.4x ↖	
		5: 10.7x →	5: 10.1 ↑	
		6: 10.5x →	6: 10.5x ↑	
		7: 10.6x ↖	7: 10.3x ↘	
		8: 10.7x ↖	8: 10.3x ↖	
		9: 10.6x ↖	9: 10.5x ↖	
		10: 10.1 ↓	10: 10.6x →	
		Series 103.3	Series 103.9	
		515.2	619.1	



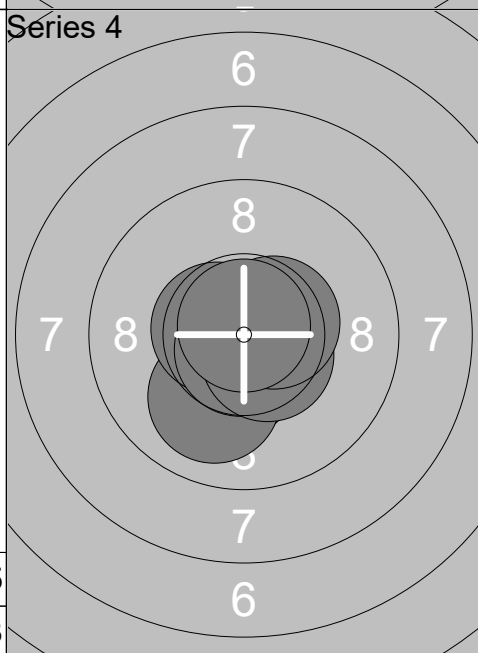
1:	10.3x	←
2:	10.4x	↗
3:	9.9	←
4:	10.5x	↙
5:	10.3x	←
6:	10.4x	↗
7:	10.3x	←
8:	9.7	↗
9:	10.5x	↖
10:	10.4x	↗
Series	102.7	
	102.7	



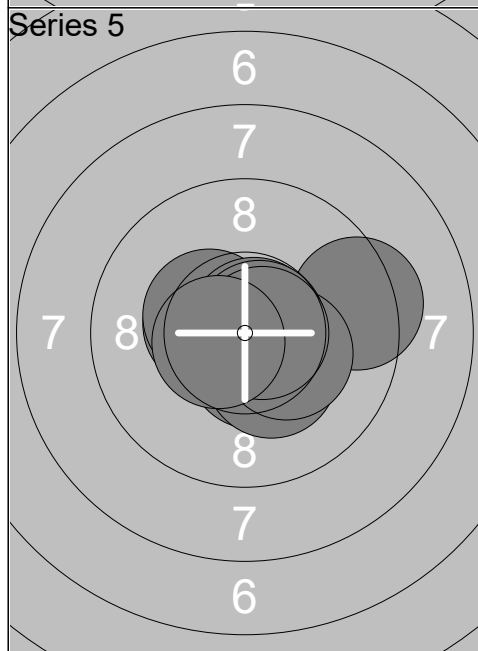
1:	10.4x	↗
2:	10.3x	↗
3:	10.8x	←
4:	10.5x	↓
5:	10.1	↗
6:	10.7x	↗
7:	10.3x	↗
8:	10.3x	←
9:	10.3x	←
10:	10.4x	←
Series	104.1	
	206.8	



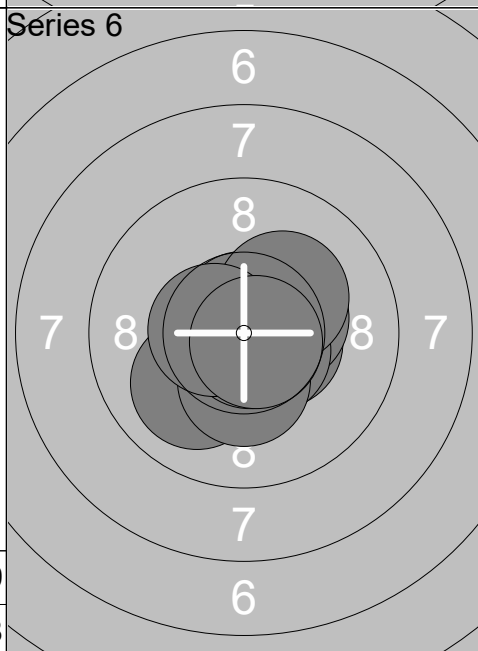
1:	10.3x	↗
2:	10.6x	↗
3:	10.0	↗
4:	9.9	↙
5:	10.2x	↗
6:	10.8x	↓
7:	10.5x	←
8:	10.5x	↗
9:	10.4x	←
10:	10.3x	←
Series	103.5	
	310.3	



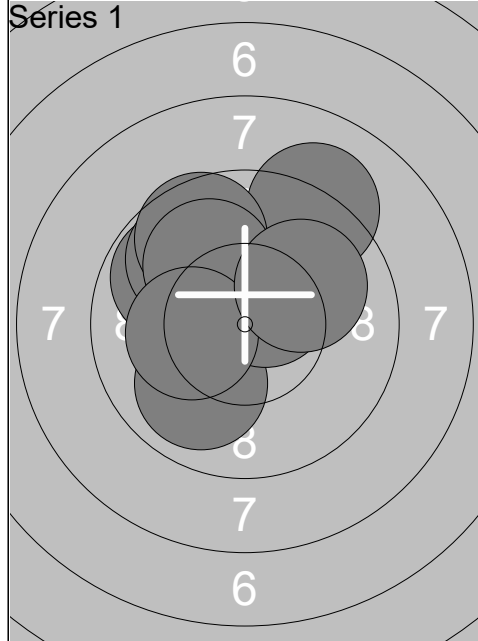
1:	10.4x	↓
2:	10.7x	←
3:	10.0	↓
4:	10.6x	←
5:	10.6x	→
6:	10.8x	→
7:	10.7x	↓
8:	10.5x	↘
9:	10.5x	↗
10:	10.8x	↗
Series	105.6	
	415.9	



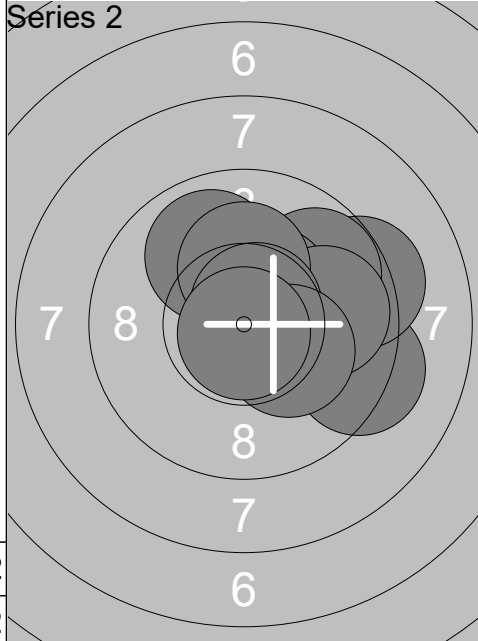
1:	10.5x	↓
2:	10.3x	↘
3:	9.3	→
4:	10.4x	←
5:	10.3x	↘
6:	10.4x	←
7:	10.7x	↗
8:	10.7x	→
9:	10.7x	→
10:	10.6x	←
Series	103.9	
	519.8	



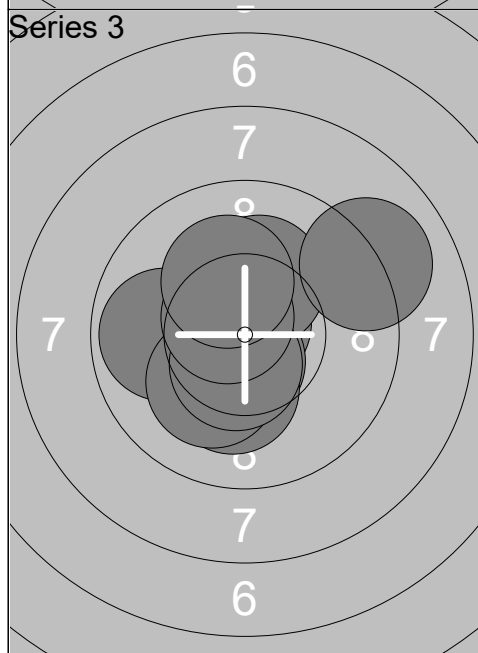
1:	10.5x	→
2:	10.4x	→
3:	10.5x	↘
4:	10.7x	↗
5:	10.0	↙
6:	10.3x	↓
7:	10.2x	↗
8:	10.8x	↘
9:	10.5x	←
10:	10.7x	↘
Series	104.6	
	624.4	



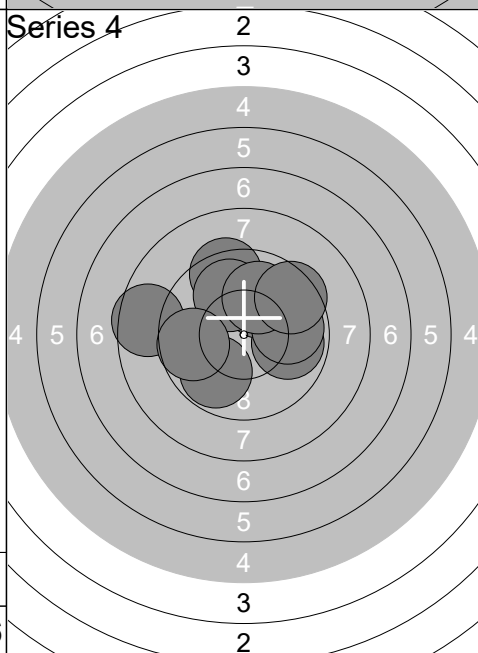
1:	9.9	↘
2:	9.1	↗
3:	10.3x	↖
4:	9.8	↖
5:	9.8	↖
6:	9.6	↗
7:	10.5x	↗
8:	10.0	↖
9:	10.2x	←
10:	10.0	↗
Series		99.2
		99.2



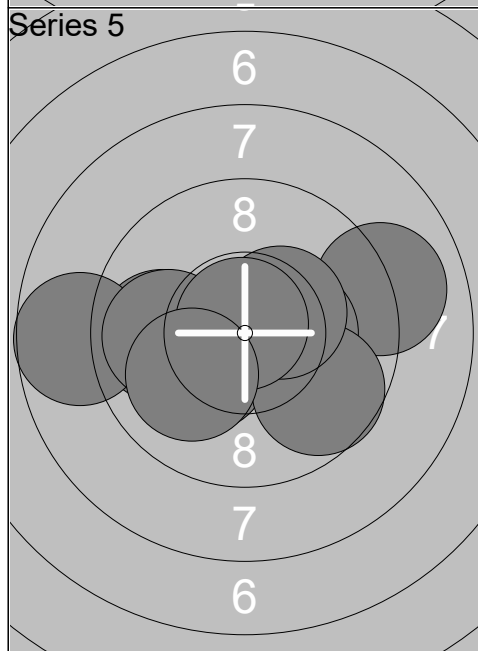
1:	9.2	→
2:	9.9	↖
3:	9.3	→
4:	9.8	↗
5:	10.4x	↗
6:	9.8	→
7:	10.2x	↑
8:	10.7x	↗
9:	10.2x	↘
10:	10.8x	↓
Series		100.3
		199.5



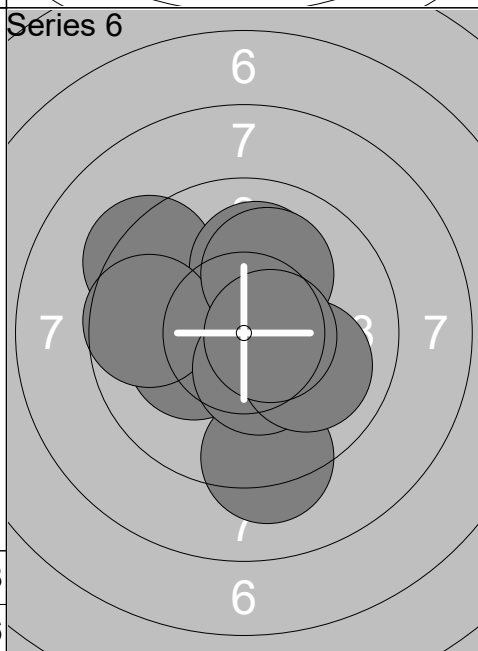
1:	9.9	←
2:	10.8x	↑
3:	10.6x	↓
4:	10.2x	↑
5:	10.2x	↓
6:	9.0	↗
7:	10.1	↘
8:	10.5x	↓
9:	10.6x	↖
10:	10.2x	↖
Series		102.1
		301.6



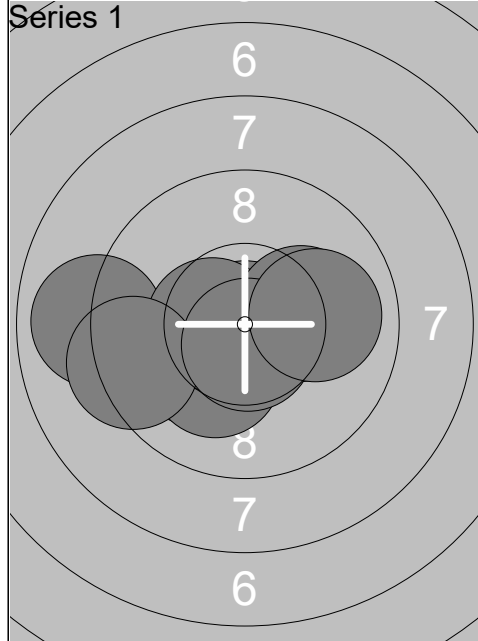
1:	9.8	→
2:	10.0	↗
3:	9.4	↑
4:	9.9	↑
5:	9.8	↘
6:	8.5	←
7:	9.8	→
8:	9.7	←
9:	9.9	↑
10:	9.4	↗
Series		96.2
		397.8



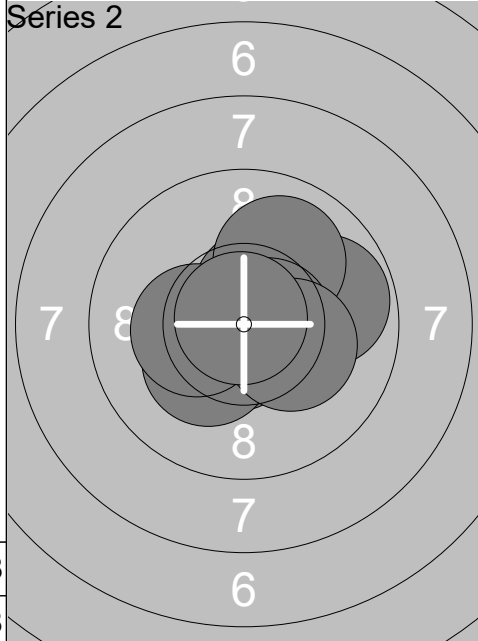
1:	9.0	→
2:	10.2x	↖
3:	10.3x	→
4:	9.8	←
5:	8.7	←
6:	9.7	↘
7:	9.9	←
8:	10.4x	↗
9:	10.8x	↖
10:	10.0	↘
Series		98.8
		496.6



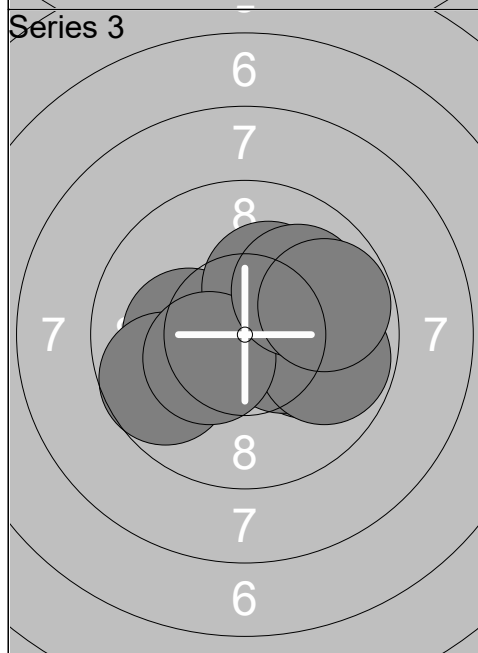
1:	10.3x	↑
2:	10.2x	↖
3:	9.3	↖
4:	10.0	↑
5:	9.6	←
6:	10.1	↗
7:	9.2	↓
8:	10.4x	↓
9:	10.0	↘
10:	10.6x	→
Series		99.7
		596.3



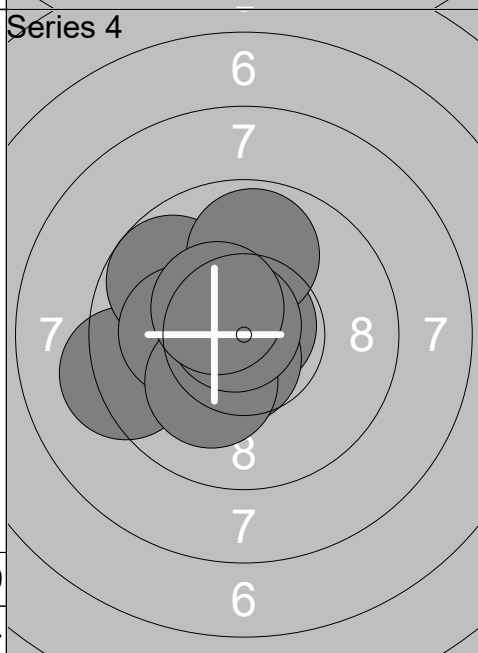
1:	10.1	↙
2:	10.2x	→
3:	10.9x	↓
4:	10.2x	↙
5:	8.9	←
6:	10.5x	←
7:	9.3	←
8:	10.1	→
9:	10.6x	↓
10:	10.0	→
Series	100.8	
	100.8	



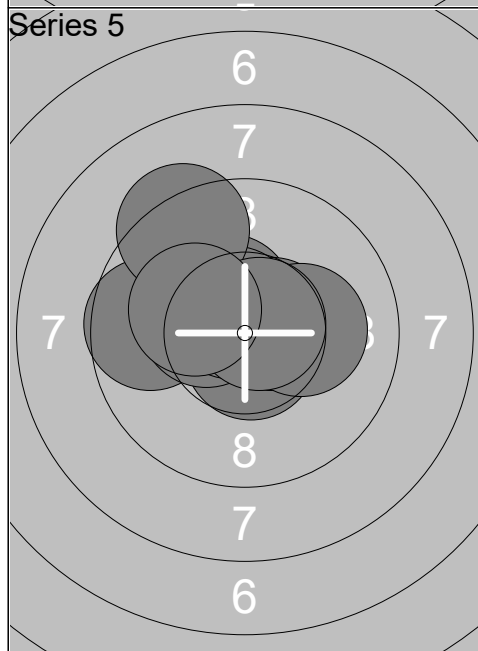
1:	10.7x	⇒
2:	9.8	→
3:	10.5x	↗
4:	10.6x	↙
5:	10.2x	↙
6:	10.0	↗
7:	10.3x	←
8:	10.6x	→
9:	10.2x	⇒
10:	10.8x	↖
Series	103.7	
	204.5	



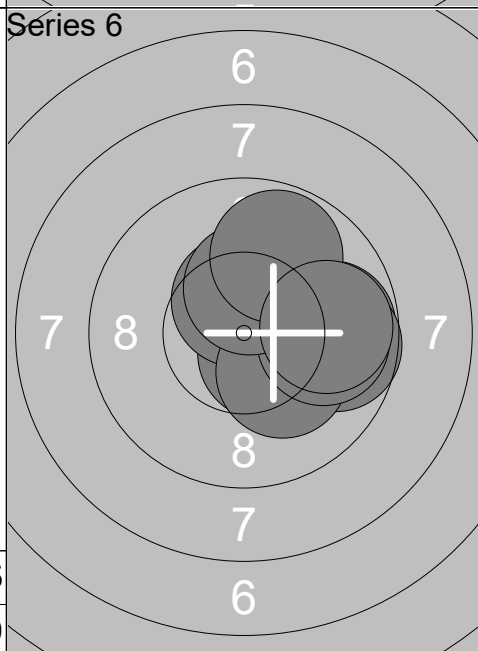
1:	10.1	→
2:	10.4x	→
3:	10.4x	→
4:	10.2x	←
5:	9.7	↙
6:	10.2x	↗
7:	9.8	→
8:	10.3x	↙
9:	10.0	↗
10:	9.8	→
Series	100.9	
	305.4	



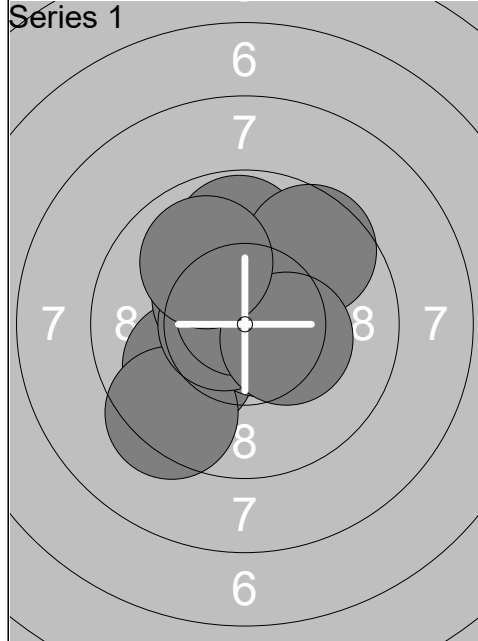
1:	10.4x	↗
2:	10.8x	↗
3:	10.6x	↙
4:	9.2	←
5:	9.7	↖
6:	10.1	←
7:	9.8	↗
8:	10.2x	↙
9:	10.8x	↖
10:	10.4x	↖
Series	102.0	
	407.4	



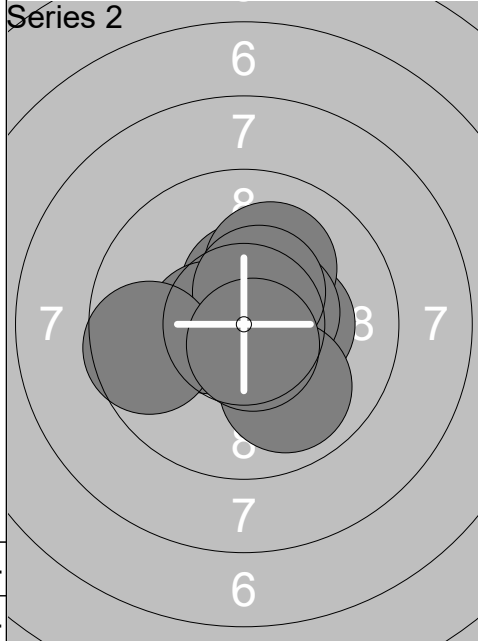
1:	10.4x	↖
2:	9.6	←
3:	10.6x	↙
4:	10.4x	←
5:	10.5x	→
6:	10.2x	→
7:	10.6x	↖
8:	9.3	↖
9:	10.7x	↗
10:	10.2x	←
Series	102.5	
	509.9	



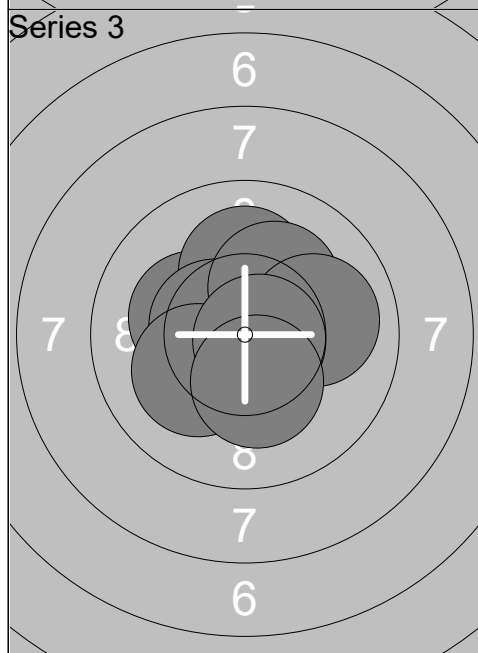
1:	10.5x	↙
2:	10.5x	↗
3:	9.8	→
4:	9.7	→
5:	10.3x	→
6:	10.2x	↙
7:	9.9	→
8:	10.3x	↗
9:	9.8	↗
10:	9.8	→
Series	100.8	
	610.7	



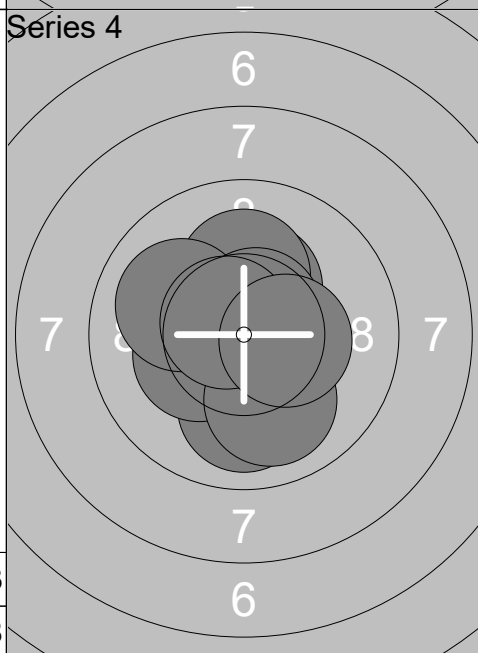
1:	10.0	↙
2:	9.8	↑
3:	10.7x	→
4:	9.4	↘
5:	10.4x	↖
6:	10.6x	←
7:	10.7x	↑
8:	9.6	↗
9:	10.3x	→
10:	9.9	↖
Series	101.4	
	101.4	



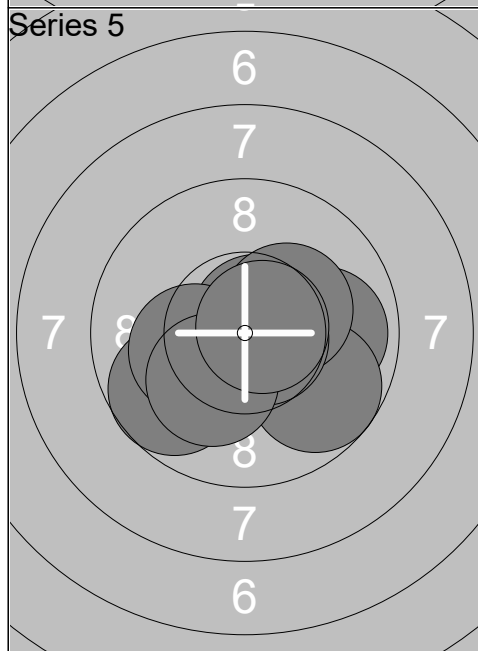
1:	10.5x	↑
2:	10.5x	←
3:	10.3x	→
4:	10.6x	↘
5:	10.1	↗
6:	10.5x	→
7:	10.5x	↗
8:	9.9	↘
9:	9.6	←
10:	10.6x	↘
Series	103.1	
	204.5	



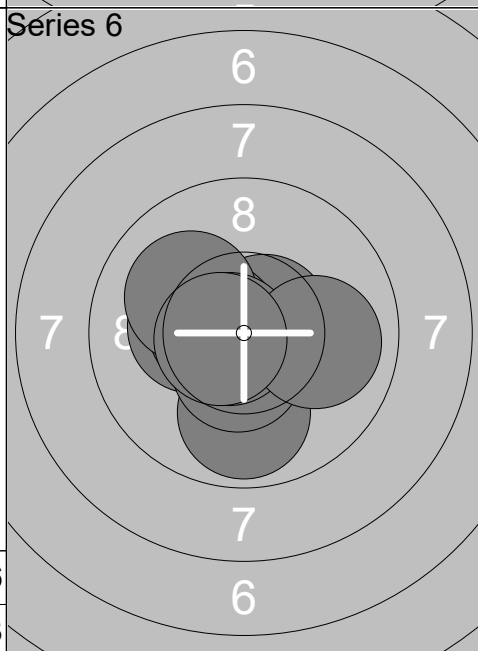
1:	10.2x	←
2:	10.6x	↘
3:	10.7x	→
4:	10.1	↑
5:	10.5x	←
6:	10.1	↗
7:	10.0	→
8:	10.1	↙
9:	10.7x	→
10:	10.3x	↘
Series	103.3	
	307.8	



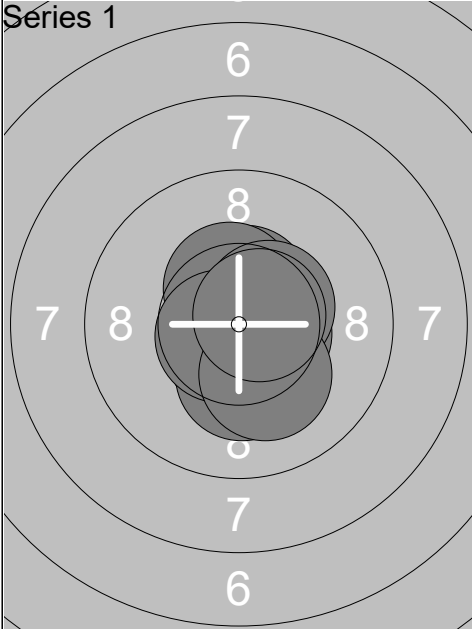
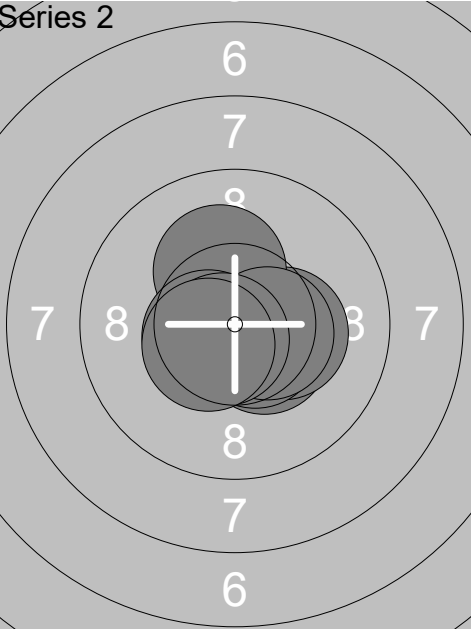
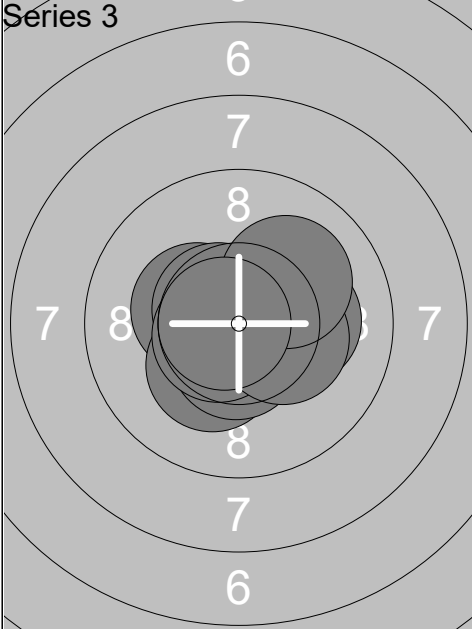
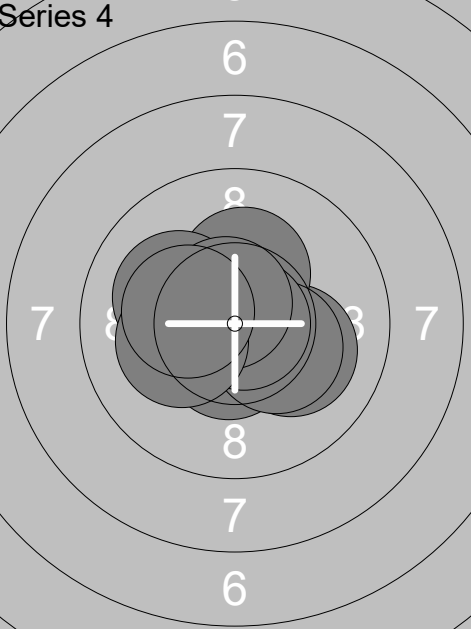
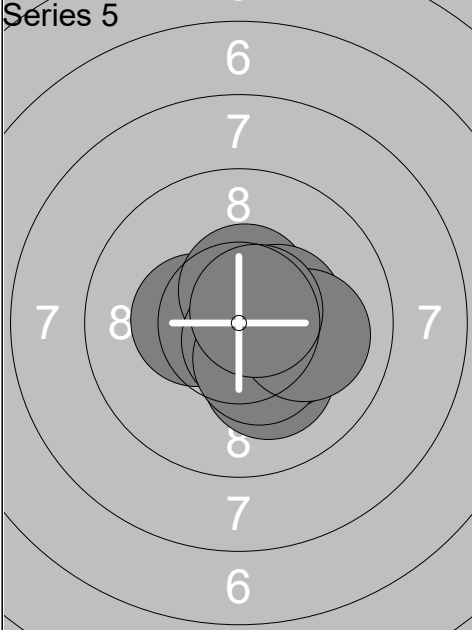
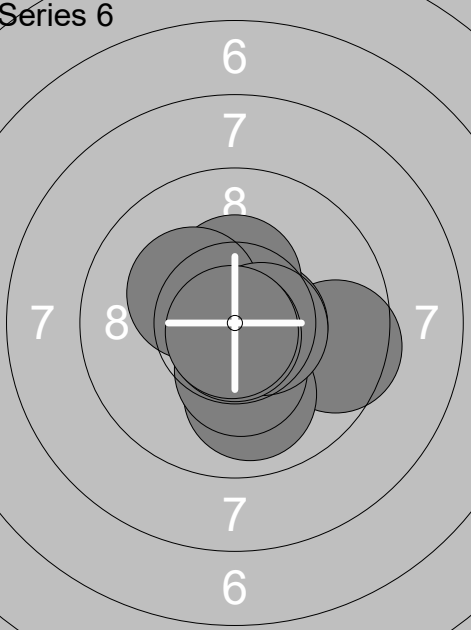
1:	10.3x	↗
2:	10.0	↓
3:	10.6x	↑
4:	10.1	↑
5:	10.3x	←
6:	10.0	←
7:	10.0	↘
8:	10.6x	↗
9:	10.6x	↖
10:	10.4x	→
Series	102.9	
	410.7	

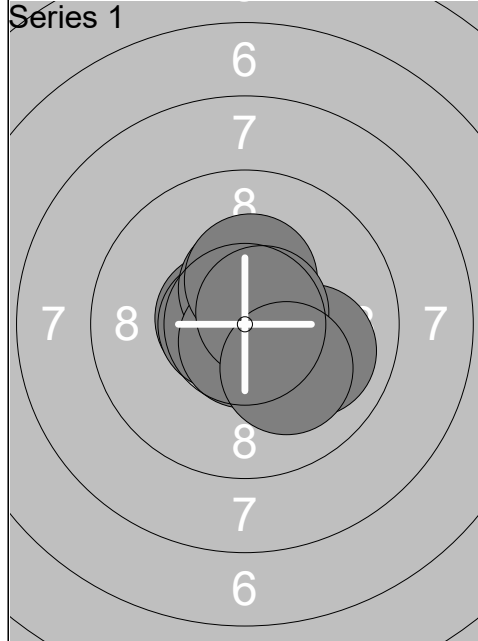


1:	10.6x	↘
2:	9.7	↙
3:	10.7x	↗
4:	10.2x	←
5:	9.9	→
6:	9.7	↘
7:	10.3x	↗
8:	10.7x	→
9:	10.1	↘
10:	10.7x	→
Series	102.6	
	513.3	

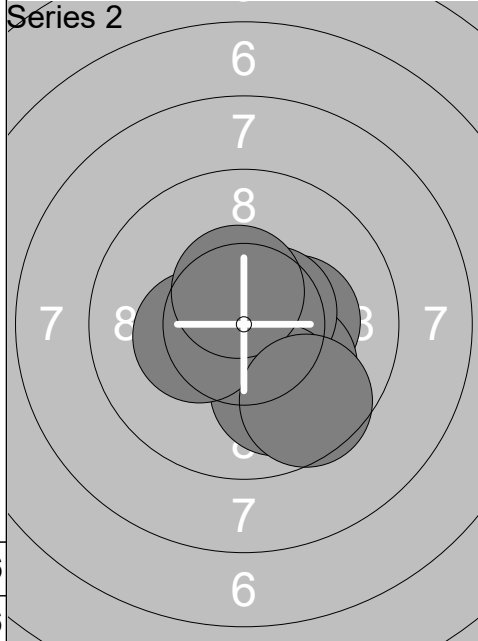


1:	10.3x	←
2:	10.8x	↗
3:	10.6x	↗
4:	10.5x	←
5:	10.1	↖
6:	9.9	↓
7:	10.5x	↘
8:	10.7x	←
9:	9.9	→
10:	10.6x	←
Series	103.9	
	617.2	

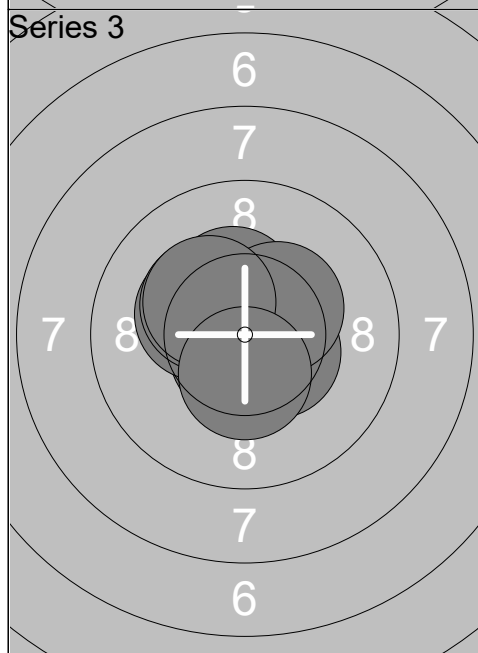
Relay	Lane	Viktor Klemmedsson		
4	11			
1 Air Qualification		SWE	M	
18.02.2023		DENMARK OPEN AIR 2023 DAY2	Danmark Open Air 2023	
Series 1		1: 10.7x ↗ 2: 10.5x ↑ 3: 10.4x ↑ 4: 10.6x → 5: 10.6x ↓ 6: 10.4x ↗ 7: 10.2x ↓ 8: 10.6x ↙ 9: 10.2x ↓ 10: 10.6x → Series 104.8 104.8	Series 2 	1: 10.7x ← 2: 10.4x ↘ 3: 10.3x → 4: 10.6x ↘ 5: 10.7x ↙ 6: 10.2x ↑ 7: 10.5x → 8: 10.5x ↙ 9: 10.7x ↙ 10: 10.5x ↙ Series 105.1 209.9
Series 3		1: 10.3x ← 2: 10.6x ↙ 3: 10.3x ↘ 4: 10.5x ↓ 5: 10.6x ↙ 6: 10.2x → 7: 10.7x → 8: 10.3x → 9: 10.1 ↗ 10: 10.7x ← Series 104.3 314.2	Series 4 	1: 10.1 → 2: 10.7x ↘ 3: 10.2x ↑ 4: 10.5x ↓ 5: 10.3x → 6: 10.1 ← 7: 10.8x → 8: 10.6x ↑ 9: 10.2x ← 10: 10.3x ← Series 103.8 418.0
Series 5		1: 10.3x ← 2: 10.1 ↓ 3: 10.5x ↑ 4: 10.3x → 5: 10.7x ↓ 6: 10.5x → 7: 10.4x → 8: 10.3x ↓ 9: 10.0 → 10: 10.6x ↗ Series 103.7 521.7	Series 6 	1: 9.5 → 2: 9.9 ↓ 3: 10.6x → 4: 10.7x ↗ 5: 10.3x ↓ 6: 10.4x ↑ 7: 10.2x ↙ 8: 10.6x → 9: 10.8x ↓ 10: 10.8x ↓ Series 103.8 625.5



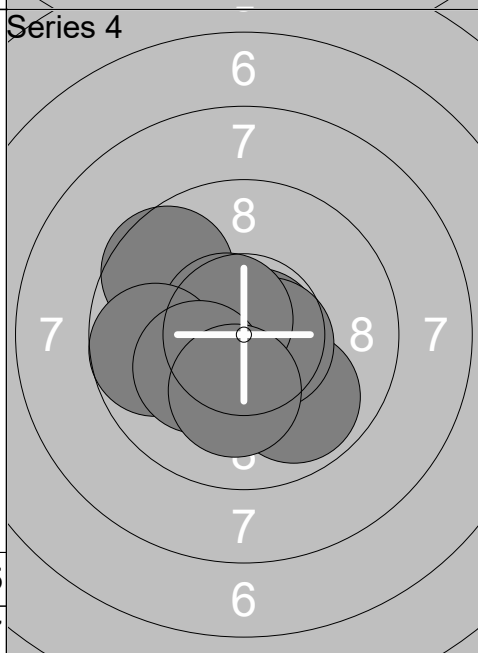
1:	10.6x	←
2:	10.6x	↑
3:	10.6x	↘
4:	10.7x	←
5:	10.4x	↑
6:	10.0	→
7:	10.7x	↓
8:	10.3x	↑
9:	10.6x	↗
10:	10.1	↘
Series	104.6	
	104.6	



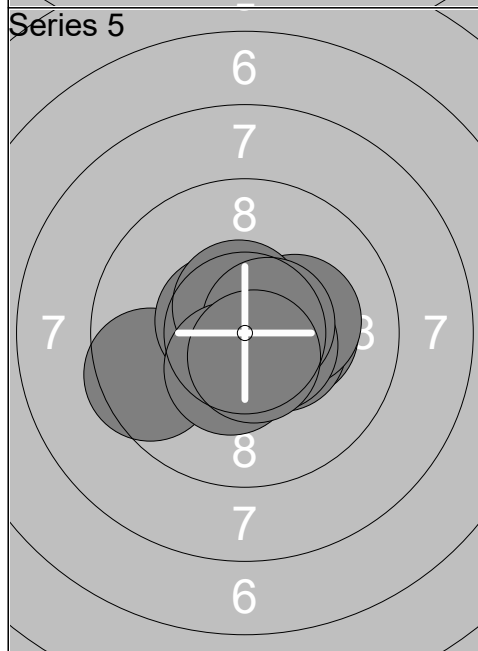
1:	10.6x	↘
2:	10.3x	↘
3:	10.2x	→
4:	10.6x	→
5:	10.1	↘
6:	10.5x	↗
7:	9.9	↘
8:	10.3x	←
9:	10.5x	↑
10:	9.6	↘
Series	102.6	
	207.2	



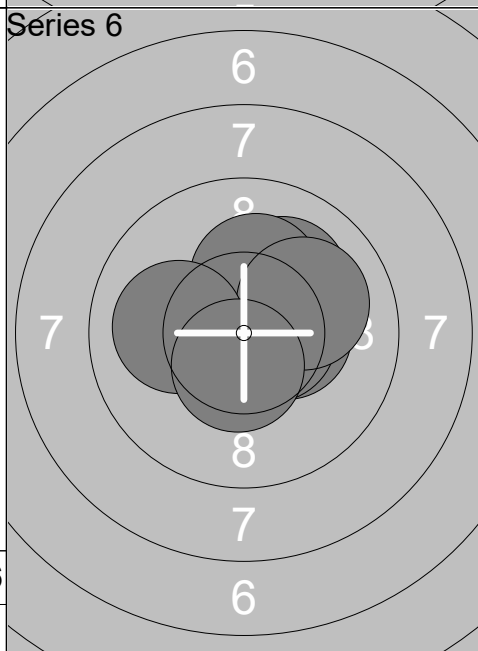
1:	10.3x	↑
2:	10.6x	→
3:	10.7x	→
4:	10.7x	↘
5:	10.3x	←
6:	10.5x	↘
7:	10.3x	↗
8:	10.4x	↗
9:	10.3x	↖
10:	10.4x	↓
Series	104.5	
	311.7	



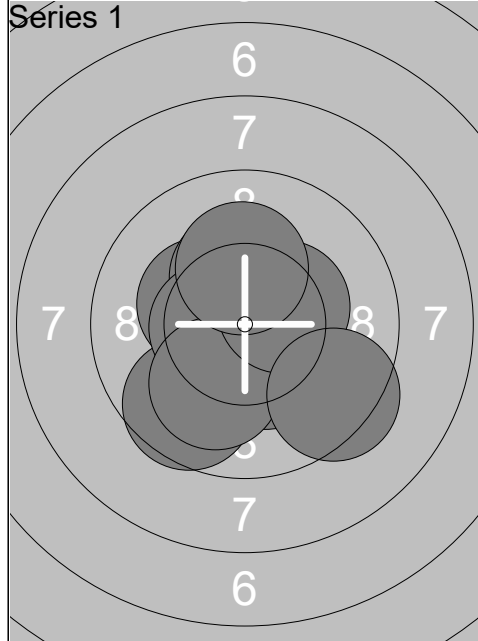
1:	9.9	↘
2:	10.7x	↙
3:	10.8x	→
4:	9.6	↖
5:	10.5x	↓
6:	10.6x	→
7:	10.6x	↖
8:	9.7	←
9:	10.2x	↙
10:	10.2x	↓
Series	102.8	
	414.5	



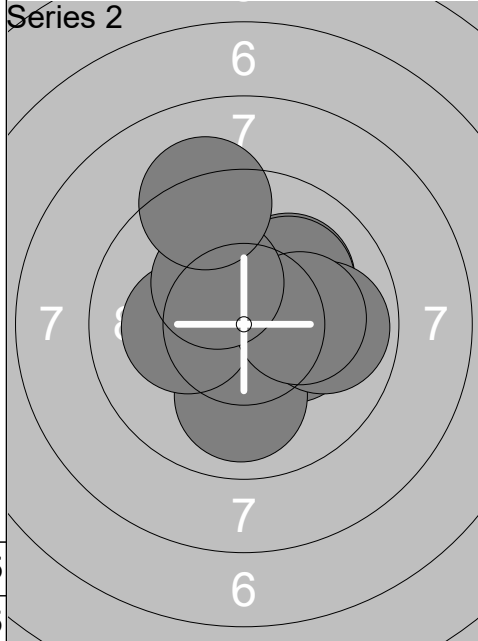
1:	10.3x	→
2:	9.5	←
3:	10.6x	←
4:	10.4x	→
5:	10.2x	→
6:	10.5x	↑
7:	10.5x	→
8:	10.6x	→
9:	10.4x	↘
10:	10.6x	↘
Series	103.6	
	518.1	



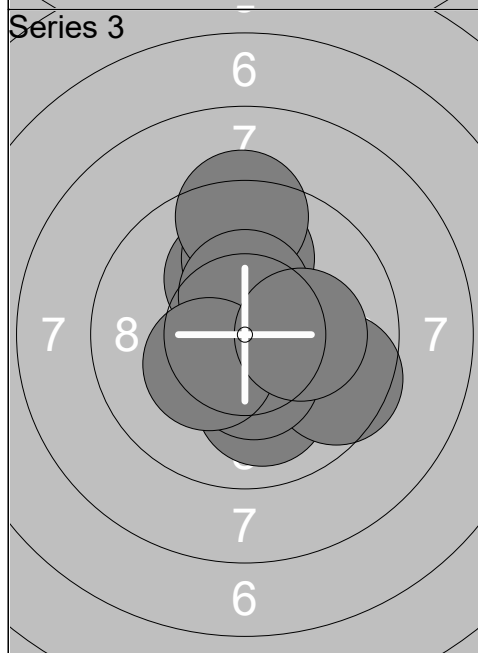
1:	10.6x	←
2:	10.4x	→
3:	10.6x	→
4:	10.6x	→
5:	10.7x	↑
6:	10.1	↗
7:	10.2x	↑
8:	10.1	↗
9:	10.1	←
10:	10.5x	↓
Series	103.9	
	622.0	



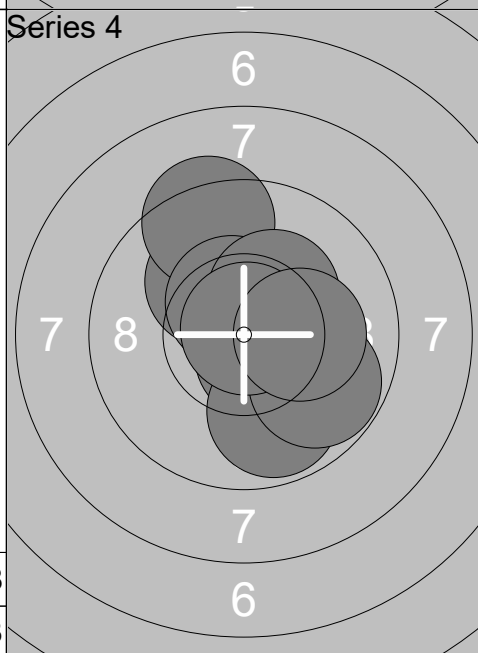
1:	10.3x ↖
2:	10.5x →
3:	9.6 ↙
4:	10.3x ↑
5:	10.5x ←
6:	10.3x ↘
7:	10.0 ↘
8:	10.4x →
9:	9.4 ↘
10:	10.2x ↑
Series	101.5
	101.5



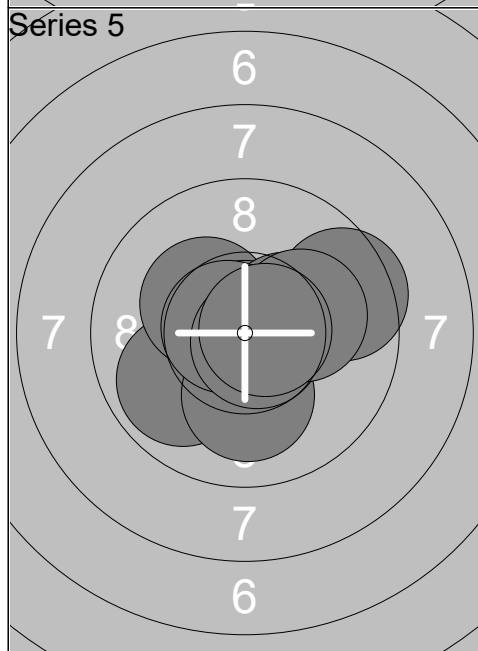
1:	10.3x →
2:	10.7x ↗
3:	10.1 ↗
4:	10.0 ↓
5:	10.1 ↗
6:	9.9 →
7:	10.2x ←
8:	10.2x →
9:	10.3x ↘
10:	9.2 ↑
Series	101.0
	202.5



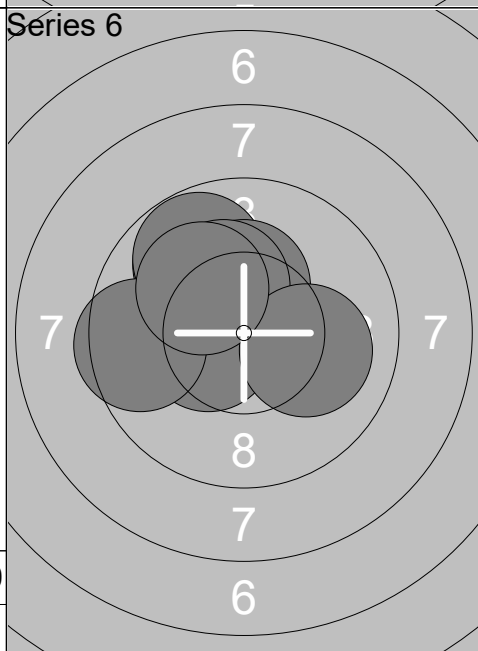
1:	10.6x →
2:	10.0 ↓
3:	10.1 ↑
4:	9.6 ↘
5:	9.9 ↑
6:	9.3 ↑
7:	10.4x ↑
8:	10.4x ↓
9:	10.3x ↙
10:	10.2x →
Series	100.8
	303.3



1:	10.1 ↗
2:	9.3 ↑
3:	10.5x ↑
4:	10.6x ↘
5:	10.4x →
6:	9.8 ↓
7:	9.8 ↘
8:	10.3x ↗
9:	10.8x ↗
10:	10.2x →
Series	101.8
	405.1

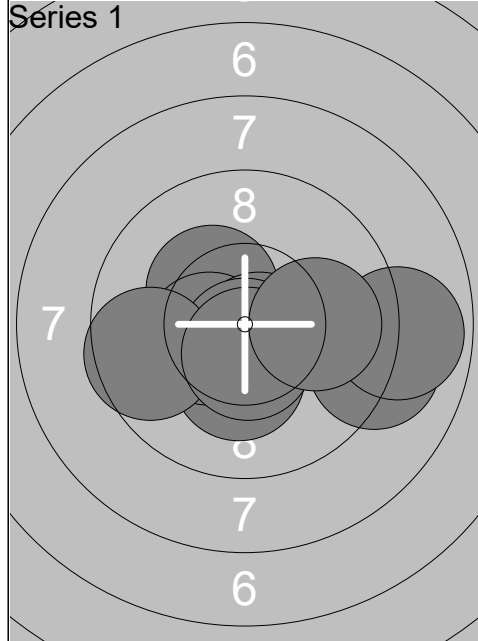


1:	9.8 ↙
2:	10.3x ↖
3:	10.1 ↓
4:	9.5 →
5:	10.8x ↑
6:	10.3x →
7:	10.7x ←
8:	10.7x ↘
9:	10.1 →
10:	10.7x →
Series	103.0
	508.1

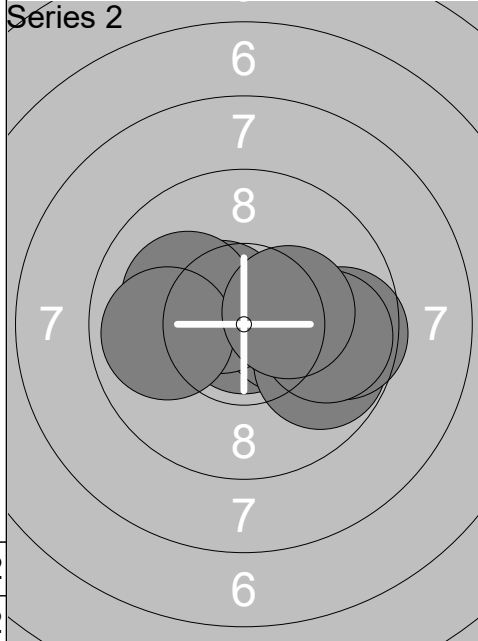


1:	9.8 ↗
2:	9.8 ↗
3:	10.3x ↗
4:	10.6x ←
5:	10.3x ↑
6:	10.2x ↗
7:	10.4x ←
8:	10.1 →
9:	9.5 ←
10:	10.1 ↘
Series	101.1
	609.2

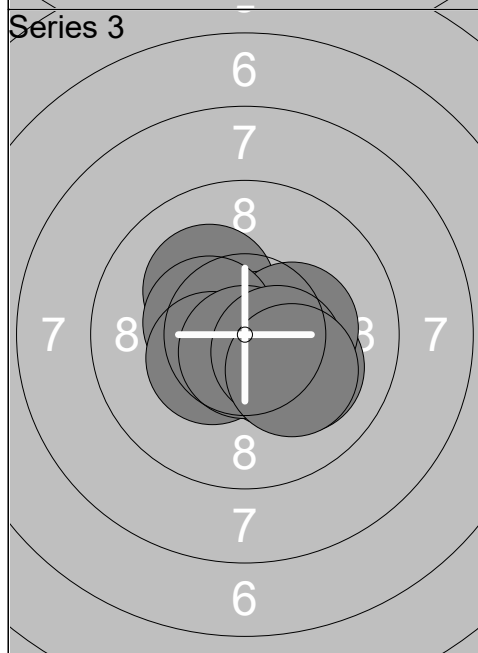
Relay	Lane	Emanuel Söderlund		
4	15	SWE		M
1 Air Qualification		SWE		M
18.02.2023		DENMARK OPEN AIR 2023 DAY2		Danmark Open Air 2023
Series 1		Series 2		
	1: 10.4x ← 2: 10.1 ↖ 3: 9.9 ← 4: 10.1 ↗ 5: 10.5x ↗ 6: 10.5x ↘ 7: 10.2x ← 8: 9.9 → 9: 10.0 → 10: 10.4x ↑		1: 10.8x ← 2: 10.7x ↗ 3: 10.5x ↘ 4: 9.6 ↘ 5: 10.8x ↓ 6: 9.7 ↘ 7: 10.0 ← 8: 9.6 ↓ 9: 10.5x ↘ 10: 10.8x ↗	
	Series 102.0		Series 103.0	
	102.0		205.0	
Series 3		Series 4		
	1: 10.4x ↘ 2: 10.9x ← 3: 10.6x → 4: 10.7x ↗ 5: 9.9 ↓ 6: 10.3x ↖ 7: 10.5x ↓ 8: 10.1 ↓ 9: 9.7 ↓ 10: 9.9 ↑		1: 10.0 ↘ 2: 10.4x ↑ 3: 10.3x ↘ 4: 10.3x → 5: 10.2x ↑ 6: 10.0 → 7: 8.9 ↑ 8: 9.9 ← 9: 10.5x ← 10: 9.8 ↓	
	Series 103.0		Series 100.3	
	308.0		408.3	
Series 5		Series 6		
	1: 10.0 ↑ 2: 10.7x ↗ 3: 8.9 ↘ 4: 9.9 ↑ 5: 10.9x ← 6: 9.0 ↖ 7: 10.2x ↗ 8: 10.4x ↓ 9: 9.7 ↓ 10: 10.7x ↘		1: 10.7x ↘ 2: 10.6x ↖ 3: 9.8 ↓ 4: 10.7x → 5: 10.3x ↗ 6: 10.7x ↗ 7: 10.8x ↑ 8: 9.5 ↑ 9: 10.3x ↘ 10: 10.5x →	
	Series 100.4		Series 103.9	
	508.7		612.6	



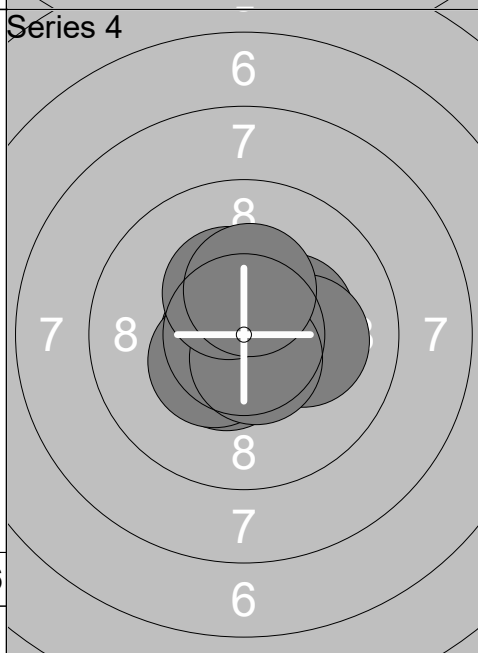
1:	10.3x ↖
2:	10.3x ↓
3:	10.4x ↙
4:	10.6x ↘
5:	9.1 →
6:	10.6x ↓
7:	9.6 ←
8:	8.8 →
9:	10.5x ↓
10:	10.0 →
Series	100.2
	100.2



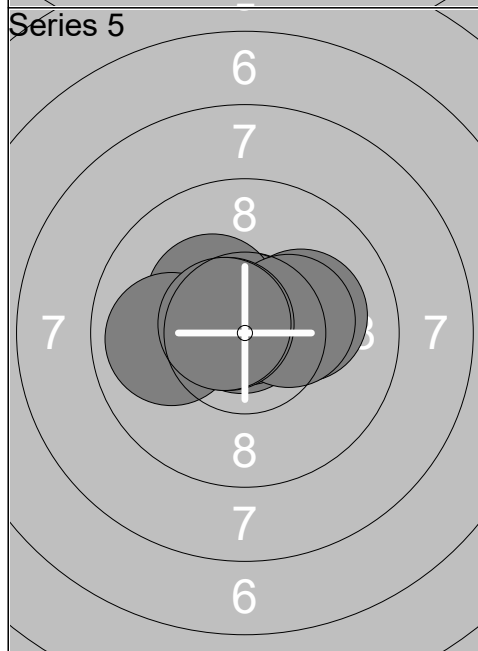
1:	10.9x ↓
2:	10.3x →
3:	10.1 →
4:	9.8 ↘
5:	10.5x ↖
6:	9.6 →
7:	10.1 ↙
8:	9.9 ←
9:	9.8 →
10:	10.3x →
Series	101.3
	201.5



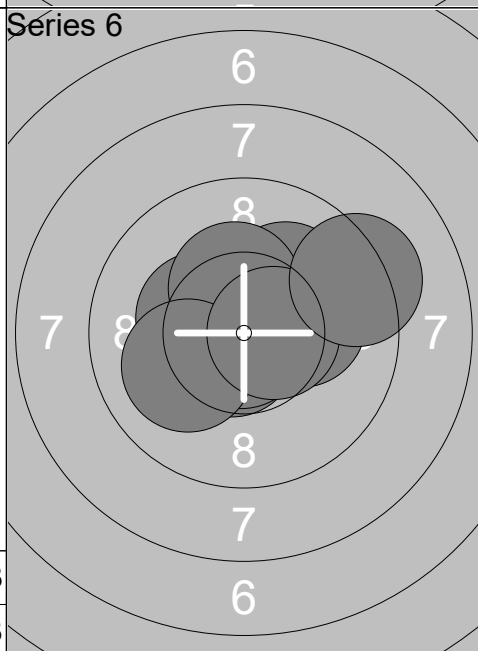
1:	10.1 ↘
2:	10.1 ↗
3:	10.7x →
4:	10.3x →
5:	10.4x ↘
6:	10.4x ↙
7:	10.4x ↙
8:	10.7x ↓
9:	10.4x ↘
10:	10.1 ↘
Series	103.6
	305.1



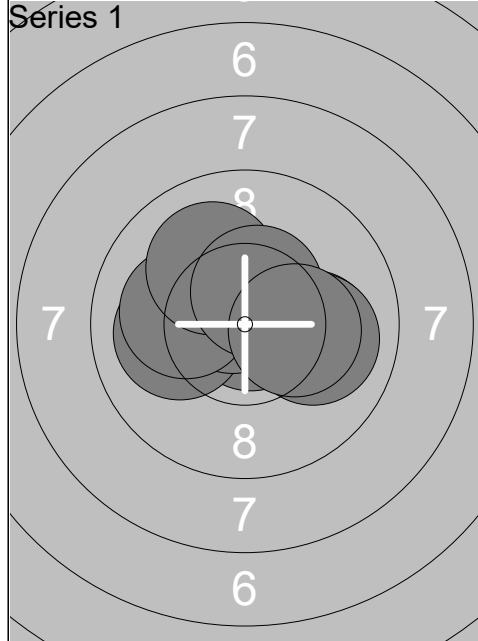
1:	10.5x ↙
2:	10.7x ↙
3:	10.3x →
4:	10.9x
5:	10.1 →
6:	10.8x ↙
7:	10.4x ↙
8:	10.6x ↘
9:	10.3x ↗
10:	10.3x ↗
Series	104.9
	410.0



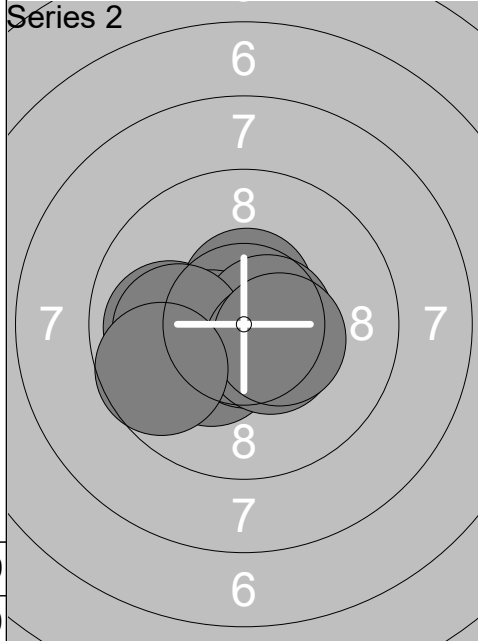
1:	10.8x ↖
2:	10.6x ↙
3:	10.7x ↑
4:	10.3x ↙
5:	10.3x ↖
6:	10.1 →
7:	9.9 ←
8:	10.3x →
9:	10.7x ↙
10:	10.6x ↙
Series	104.3
	514.3



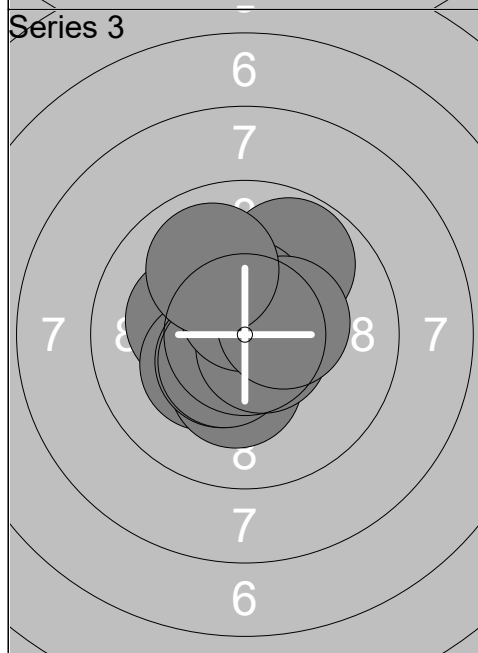
1:	10.6x ↙
2:	10.2x →
3:	10.6x ↙
4:	10.3x ↙
5:	10.1 ↗
6:	10.8x ↓
7:	10.3x ↑
8:	10.0 ←
9:	10.5x →
10:	9.2 ↗
Series	102.6
	616.9



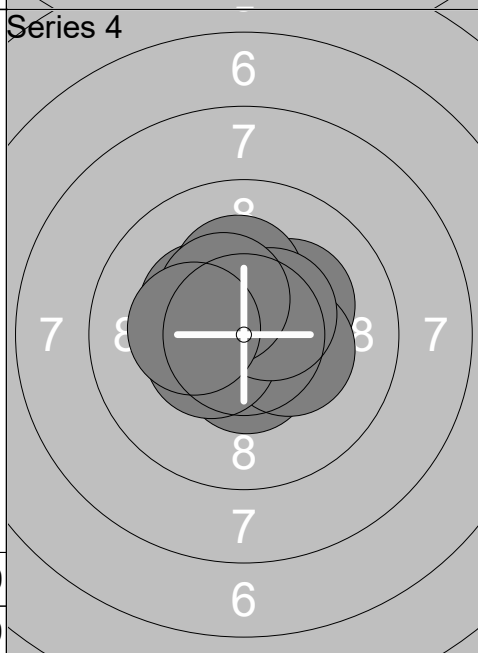
1:	10.8x	→
2:	10.4x	↖
3:	10.0	←
4:	10.1	→
5:	10.6x	↗
6:	10.0	→
7:	10.1	←
8:	10.1	↗
9:	10.5x	↗
10:	10.3x	→
Series	102.9	
	102.9	



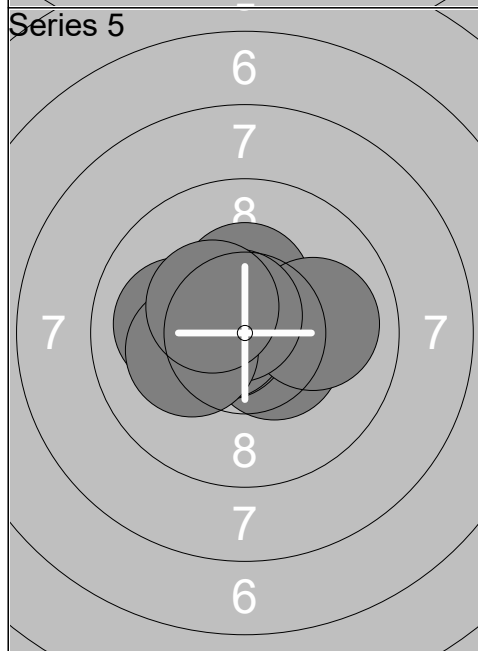
1:	9.9	←
2:	10.5x	↑
3:	10.3x	↙
4:	10.4x	↙
5:	10.7x	↓
6:	10.6x	→
7:	10.1	←
8:	10.4x	↘
9:	10.4x	→
10:	9.7	↙
Series	103.0	
	205.9	



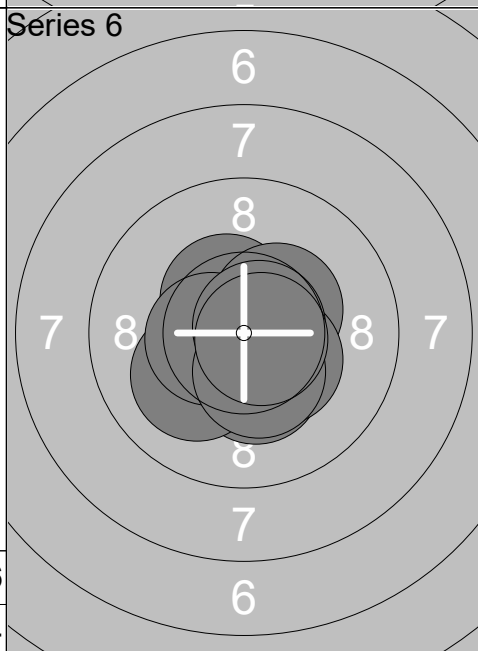
1:	10.2x	↙
2:	10.3x	↙
3:	10.3x	↓
4:	10.4x	↙
5:	10.5x	↙
6:	9.8	↗
7:	10.7x	↘
8:	10.5x	↑
9:	10.4x	→
10:	9.9	↖
Series	103.0	
	308.9	



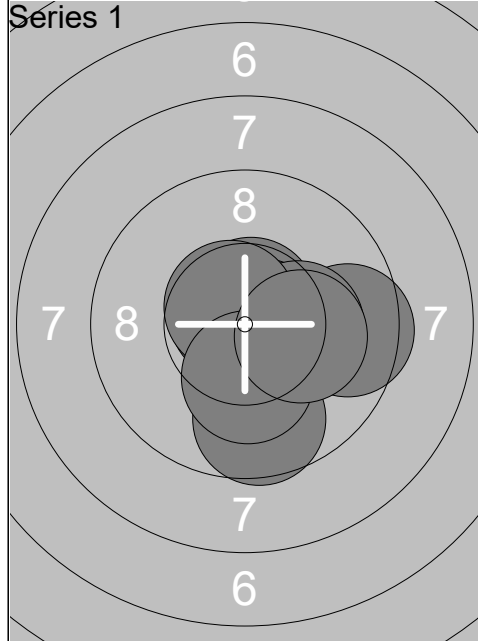
1:	10.3x	↖
2:	10.2x	↗
3:	10.8x	↗
4:	10.2x	↑
5:	10.5x	↓
6:	10.3x	→
7:	10.4x	↙
8:	10.5x	↗
9:	10.4x	↖
10:	10.3x	←
Series	103.9	
	412.8	



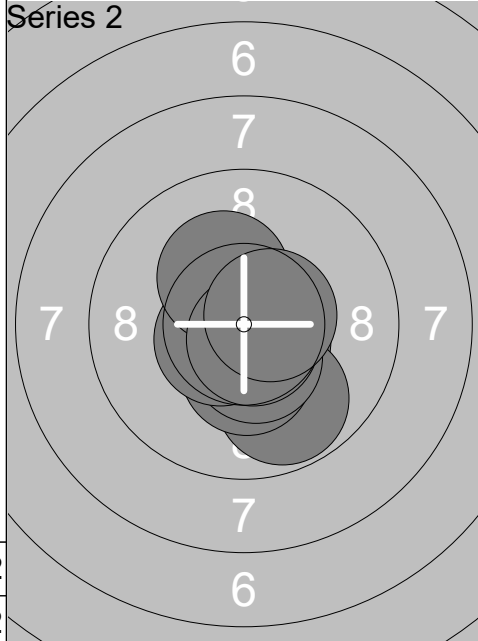
1:	10.3x	↑
2:	10.5x	→
3:	10.4x	↘
4:	10.6x	←
5:	10.6x	←
6:	10.0	→
7:	10.0	←
8:	10.7x	↖
9:	10.2x	←
10:	10.3x	↖
Series	103.6	
	516.4	



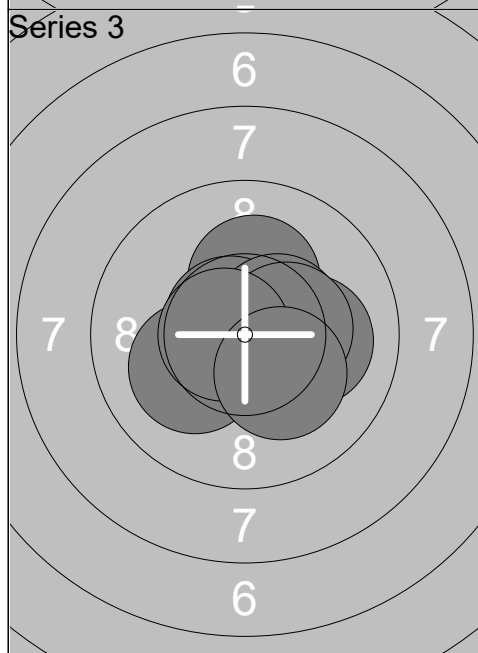
1:	10.4x	↖
2:	10.4x	↗
3:	10.3x	↙
4:	10.3x	↓
5:	10.4x	↘
6:	10.1	↙
7:	10.5x	←
8:	10.4x	↓
9:	10.7x	→
10:	10.7x	→
Series	104.2	
	620.6	



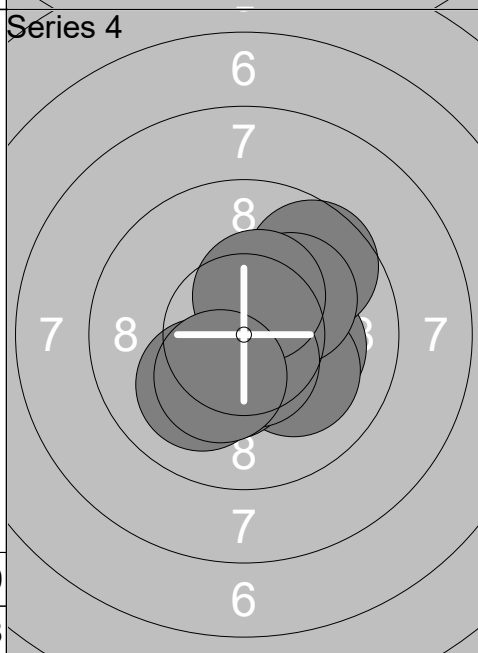
1:	10.7x ↗
2:	10.7x ↘
3:	9.5 →
4:	10.7x →
5:	10.2x →
6:	9.6 ↓
7:	10.8x ↗
8:	10.6x ↗
9:	10.2x ↓
10:	10.2x →
Series	103.2
	103.2



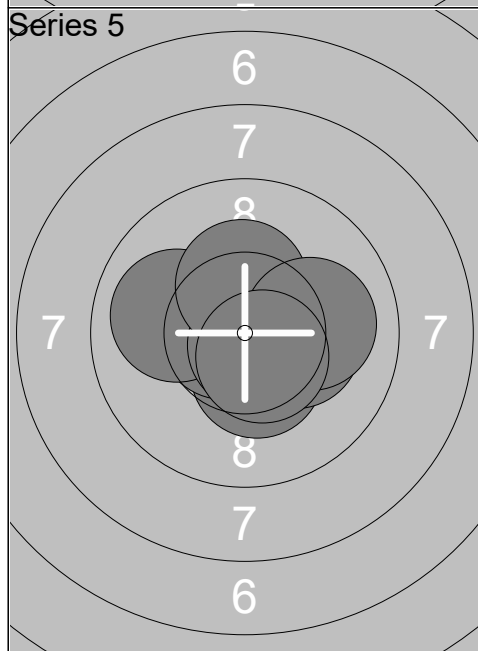
1:	10.6x ↘
2:	9.8 ↓
3:	10.3x ↓
4:	10.8x ←
5:	10.5x ↓
6:	10.7x ←
7:	10.5x ←
8:	10.2x ↗
9:	10.7x ↓
10:	10.5x →
Series	104.6
	207.8



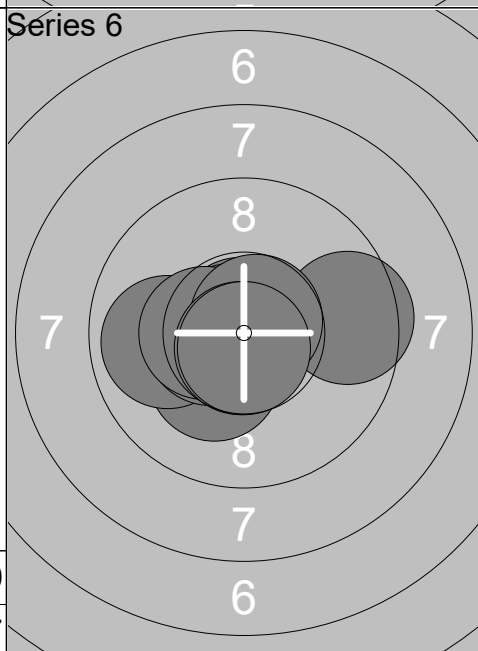
1:	10.2x ↗
2:	10.5x →
3:	10.6x ↙
4:	10.1 →
5:	10.7x ↗
6:	10.5x →
7:	10.4x →
8:	10.1 ←
9:	10.7x ←
10:	10.2x ↘
Series	104.0
	311.8



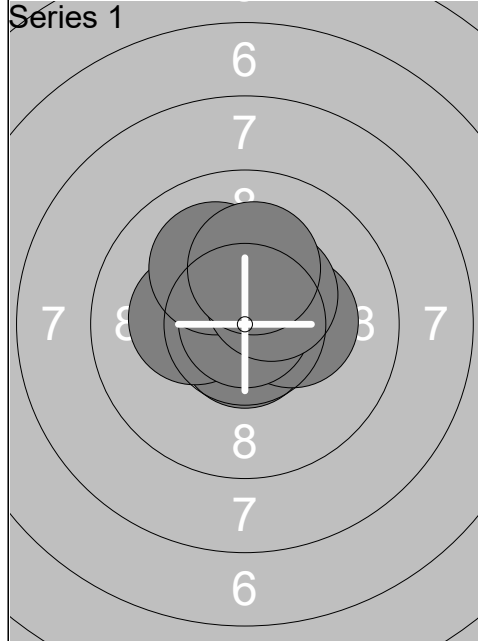
1:	10.1 →
2:	9.6 ↗
3:	10.3x ↘
4:	10.1 ↘
5:	10.1 ↗
6:	10.4x ↓
7:	10.0 ↓
8:	10.6x ↓
9:	10.4x ↗
10:	10.3x ↙
Series	101.9
	413.7



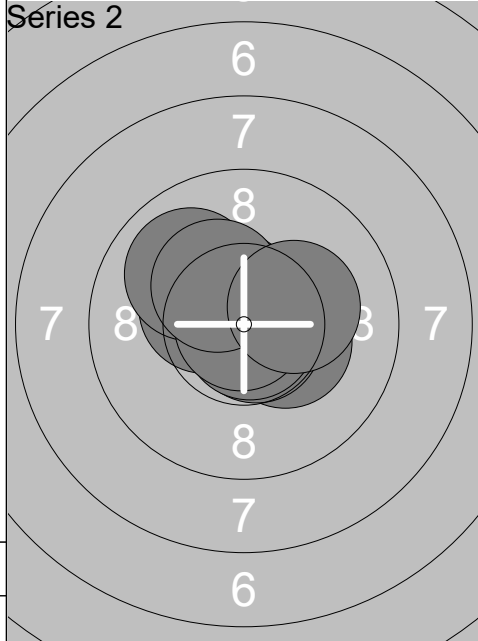
1:	10.8x →
2:	10.4x ↓
3:	10.4x ↗
4:	10.7x ←
5:	10.0 ←
6:	10.7x ↓
7:	10.3x ↗
8:	10.2x →
9:	10.0 →
10:	10.5x ↓
Series	104.0
	517.7



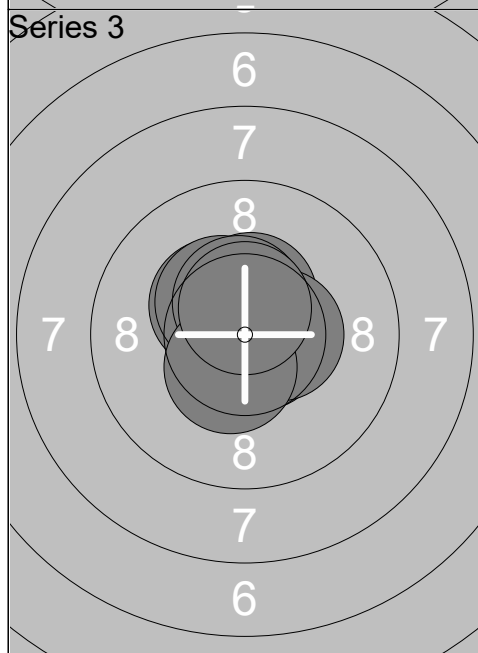
1:	10.2x ↙
2:	9.9 ←
3:	10.8x ↗
4:	10.5x ←
5:	10.8x ←
6:	10.4x ←
7:	9.5 →
8:	10.7x ↗
9:	10.7x ↓
10:	10.7x ↓
Series	104.2
	621.9



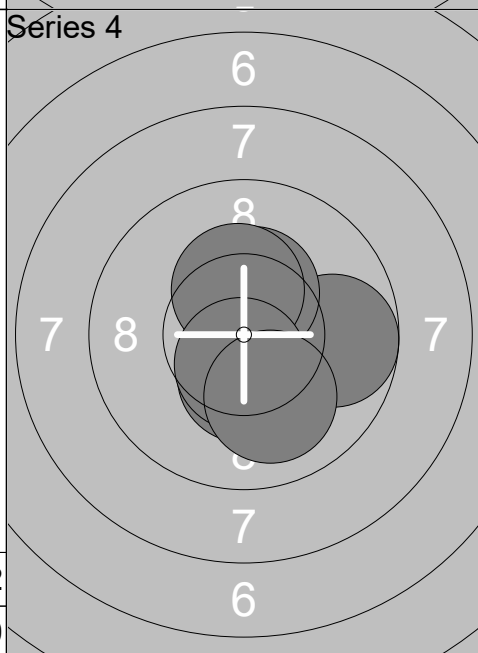
1:	10.6x ↑
2:	10.7x ↓
3:	10.5x ↗
4:	10.3x →
5:	10.2x ↑
6:	10.2x ←
7:	10.9x ↑
8:	10.1 ↖
9:	10.4x ↗
10:	10.2x ↑
Series	104.1
	104.1



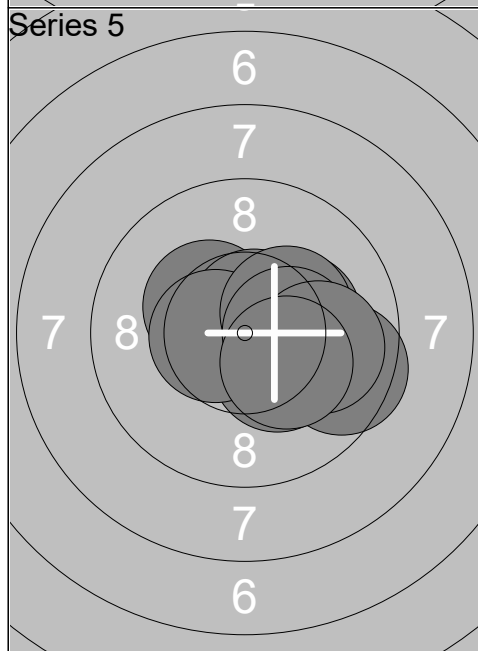
1:	10.3x ⇒
2:	10.7x ↘
3:	10.7x ↑
4:	10.4x ↖
5:	9.9 ↖
6:	10.8x ↓
7:	10.5x ↑
8:	10.9x ←
9:	10.3x ↖
10:	10.2x →
Series	104.7
	208.8



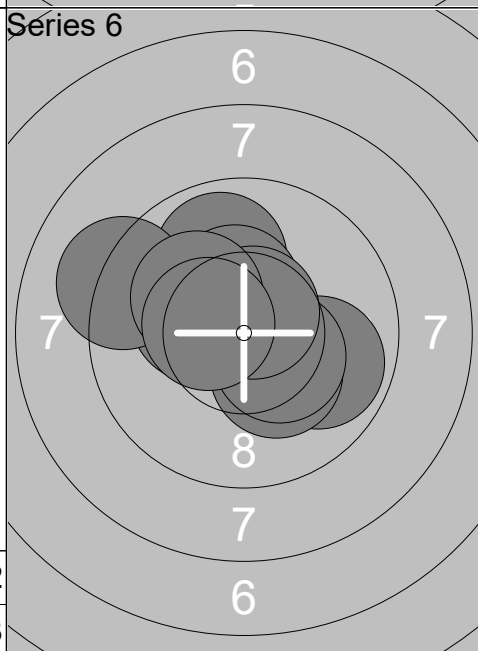
1:	10.7x ↖
2:	10.3x ↖
3:	10.4x ↑
4:	10.4x ↖
5:	10.7x ↗
6:	10.5x ↑
7:	10.7x ⇒
8:	10.5x →
9:	10.4x ↓
10:	10.6x ↑
Series	105.2
	314.0



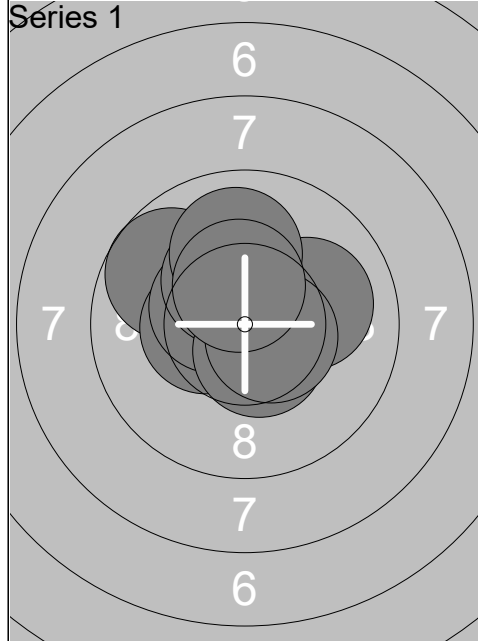
1:	10.4x ↓
2:	10.7x ↗
3:	10.4x →
4:	10.4x ↑
5:	10.3x ↘
6:	9.7 →
7:	10.4x ↑
8:	10.3x ↑
9:	10.5x ↓
10:	10.0 ↓
Series	103.1
	417.1



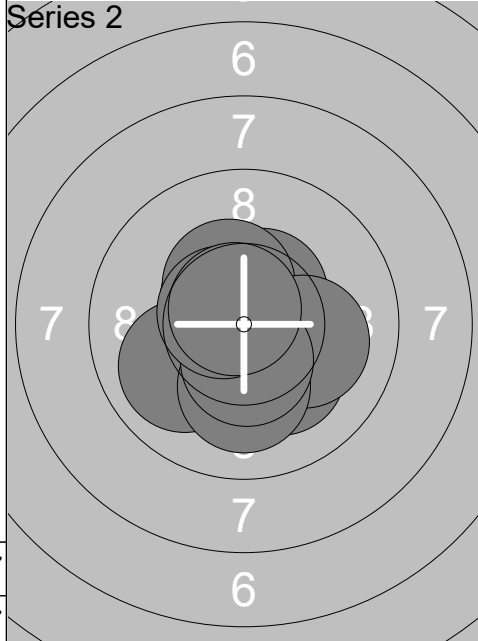
1:	10.3x ↖
2:	10.3x ↘
3:	10.7x ↗
4:	10.2x →
5:	10.5x ←
6:	10.3x ↗
7:	10.3x →
8:	9.5 ⇒
9:	9.9 ⇒
10:	10.2x ↘
Series	102.2
	519.3



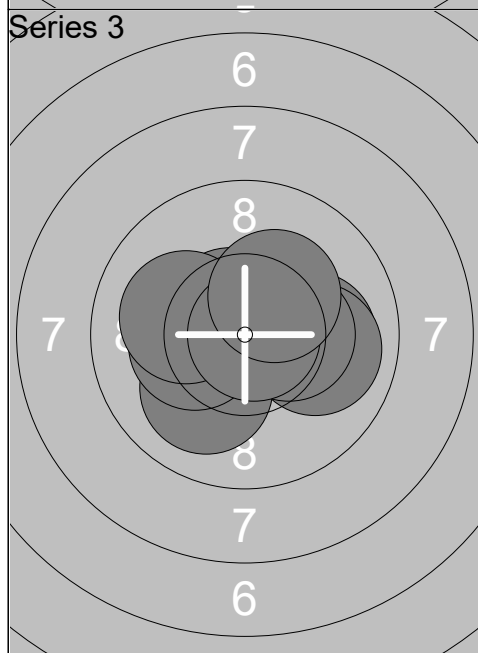
1:	9.8 ⇒
2:	9.9 ↑
3:	10.3x ↘
4:	10.4x ↑
5:	10.4x ⇒
6:	10.2x ←
7:	10.6x ↑
8:	9.2 ←
9:	10.1 ↖
10:	10.5x ←
Series	101.4
	620.7



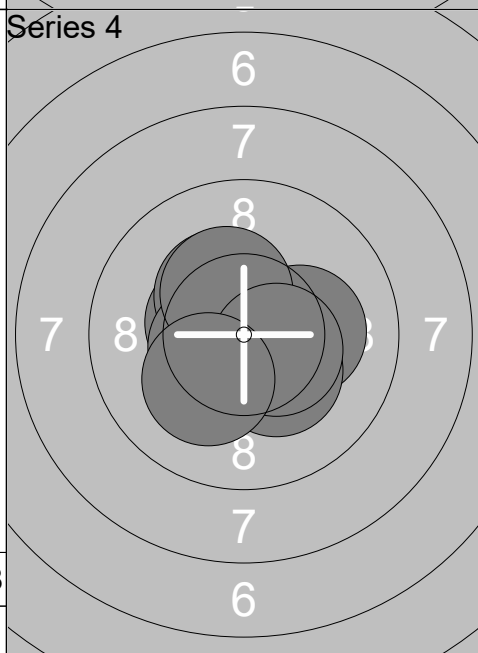
1: 10.0 →
2: 9.7 ↖
3: 10.4x ↑
4: 10.4x ←
5: 10.5x ↖
6: 10.3x ↑
7: 10.5x ↓
8: 10.0 ↑
9: 10.5x →
10: 10.4x ↑
Series 102.7
102.7



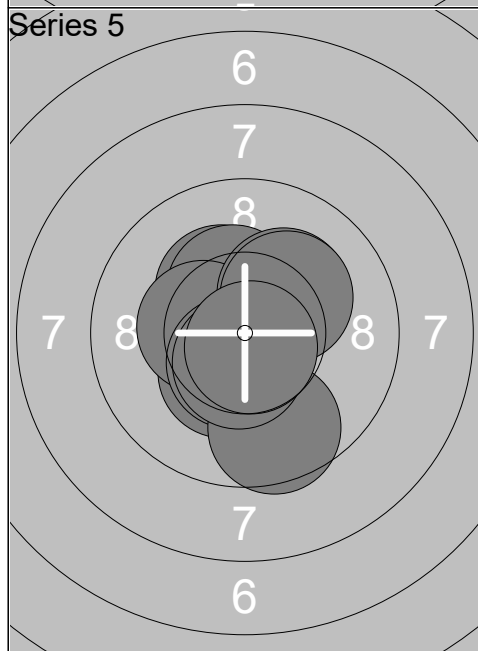
1: 10.0 ↙
2: 10.5x ↖
3: 10.5x ↗
4: 10.4x ↑
5: 10.2x ↓
6: 10.1 →
7: 10.1 ↓
8: 10.5x ↓
9: 10.6x ↖
10: 10.7x ↖
Series 103.6
206.3



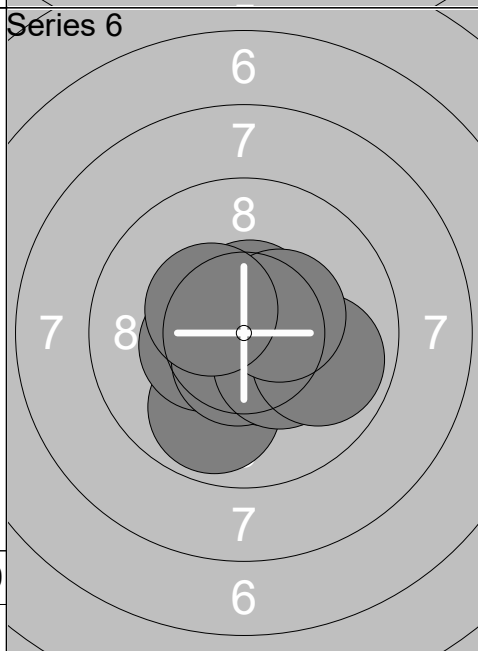
1: 10.6x ↖
2: 10.1 →
3: 10.0 →
4: 10.0 ↓
5: 10.4x →
6: 10.3x →
7: 10.2x ←
8: 10.1 ←
9: 10.8x →
10: 10.3x ↗
Series 102.8
309.1



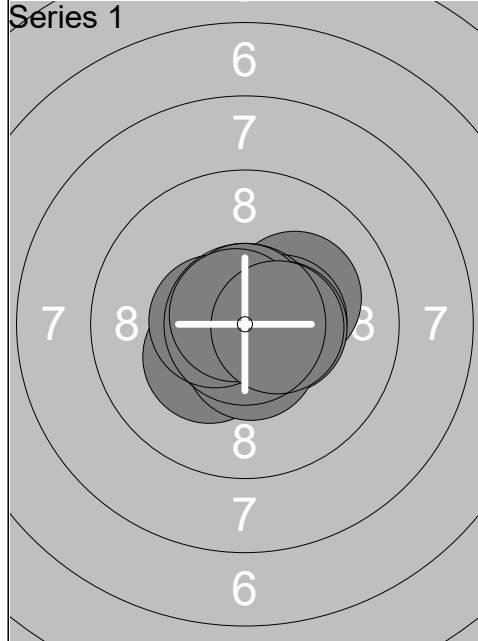
1: 10.7x ↙
2: 10.5x ↖
3: 10.2x →
4: 10.5x ↓
5: 10.3x ↓
6: 10.3x ↖
7: 10.5x ←
8: 10.3x ↑
9: 10.5x →
10: 10.2x ↙
Series 104.0
413.1



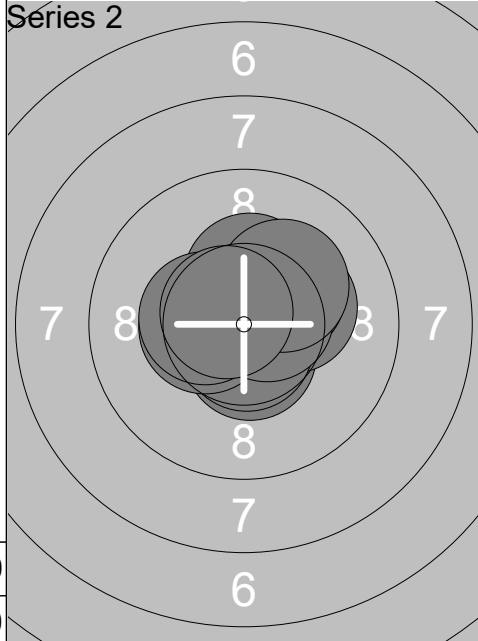
1: 10.3x ↓
2: 10.3x ↖
3: 10.3x ↑
4: 10.4x ←
5: 10.2x ↗
6: 10.5x ↓
7: 9.6 ↓
8: 10.5x ↓
9: 10.2x ↗
10: 10.7x ↓
Series 103.0
516.1



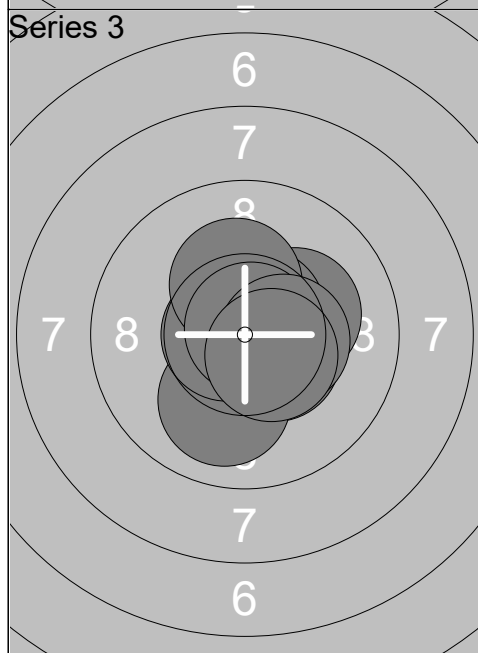
1: 9.9 ↓
2: 10.4x ↓
3: 10.2x →
4: 10.4x ←
5: 10.6x ↓
6: 10.5x ↑
7: 10.3x ↓
8: 9.9 →
9: 10.4x ↗
10: 10.4x ↖
Series 103.0
619.1



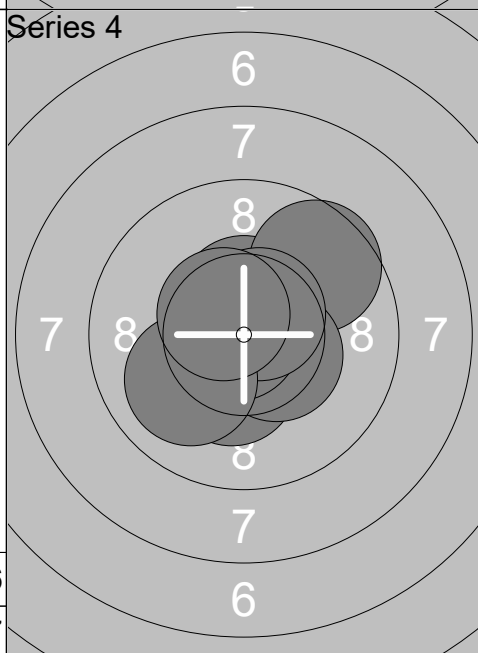
1:	10.2x ↗
2:	10.8x ↗
3:	10.3x ↙
4:	10.4x →
5:	10.4x →
6:	10.5x ↓
7:	10.7x ↑
8:	10.5x ←
9:	10.7x ↖
10:	10.5x →
Series	105.0
	105.0



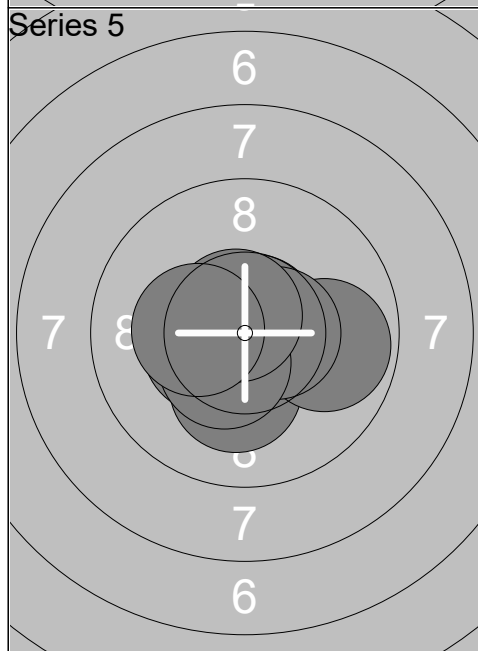
1:	10.5x ↓
2:	10.3x ↑
3:	10.2x →
4:	10.6x ↓
5:	10.3x ↗
6:	10.4x ←
7:	10.4x ←
8:	10.6x →
9:	10.2x ↗
10:	10.6x ↖
Series	104.1
	209.1



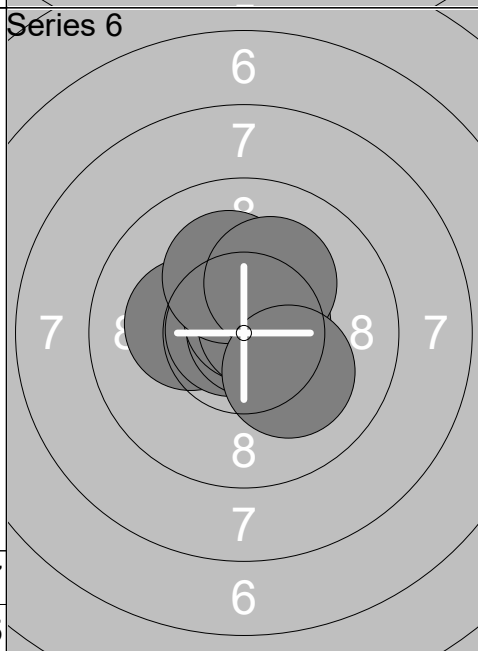
1:	10.4x ↘
2:	10.2x →
3:	10.8x ↓
4:	10.0 ↓
5:	10.7x ←
6:	10.6x ↗
7:	10.2x ↑
8:	10.8x ↗
9:	10.4x →
10:	10.5x ↘
Series	104.6
	313.7



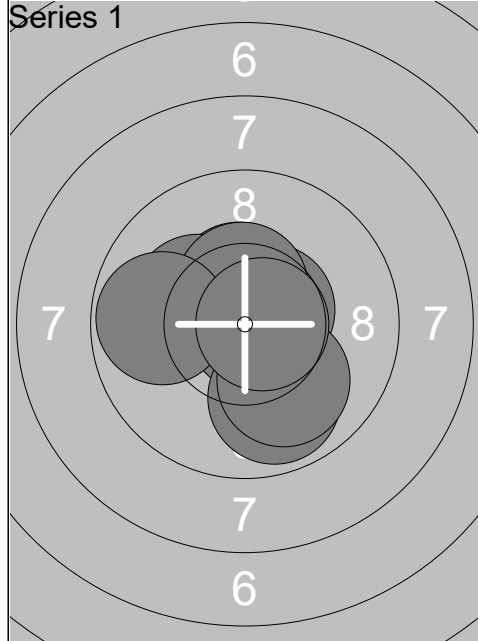
1:	10.7x →
2:	10.7x ↙
3:	10.3x ↓
4:	10.5x ↑
5:	9.6 ↗
6:	10.4x ↘
7:	10.8x ←
8:	10.6x ↗
9:	10.0 ↙
10:	10.5x ↖
Series	104.1
	417.8



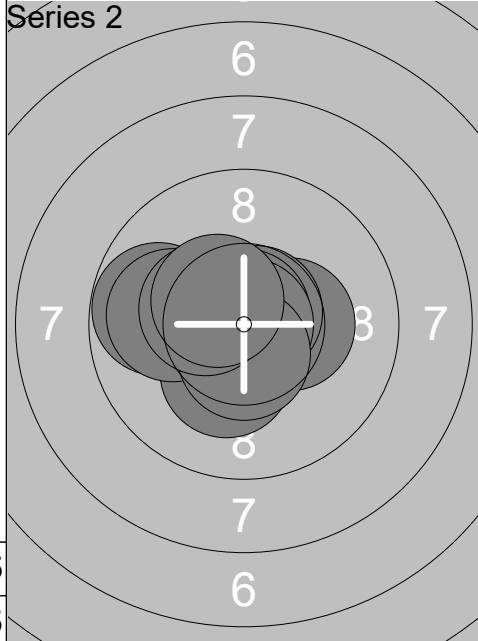
1:	10.4x ←
2:	10.8x ↗
3:	10.2x ↓
4:	10.7x →
5:	9.9 →
6:	10.9x
7:	10.5x →
8:	10.4x ↙
9:	10.6x ↖
10:	10.3x ←
Series	104.7
	522.5



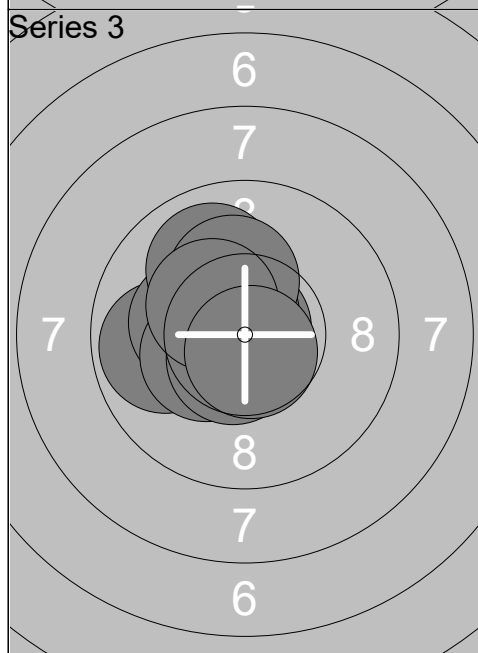
1:	10.2x ←
2:	10.4x ↑
3:	10.7x →
4:	10.8x ←
5:	10.8x →
6:	10.7x ↑
7:	10.6x →
8:	10.1 ↑
9:	10.2x ↗
10:	10.1 ↘
Series	104.6
	627.1



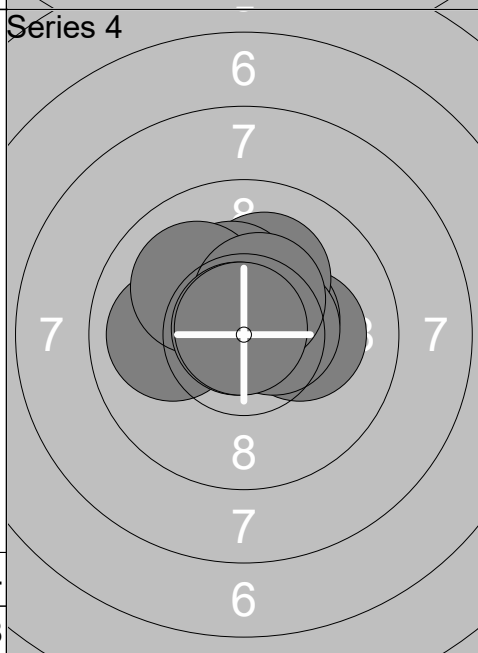
1:	10.4x	↑
2:	10.8x	↑
3:	10.2x	↖
4:	10.8x	→
5:	10.5x	↗
6:	10.5x	↑
7:	9.8	↓
8:	10.0	↓
9:	9.8	←
10:	10.7x	→
Series	103.5	
	103.5	



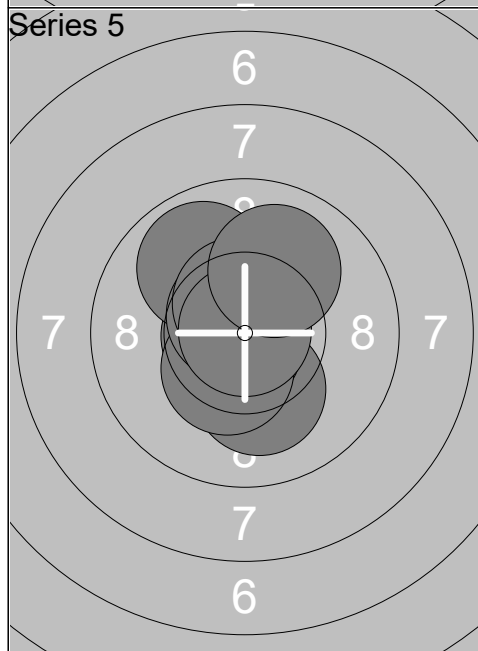
1:	10.2x	↓
2:	9.7	←
3:	10.3x	→
4:	10.7x	↗
5:	9.9	←
6:	10.8x	↑
7:	10.9x	→
8:	10.5x	↓
9:	10.4x	↖
10:	10.5x	↖
Series	103.9	
	207.4	



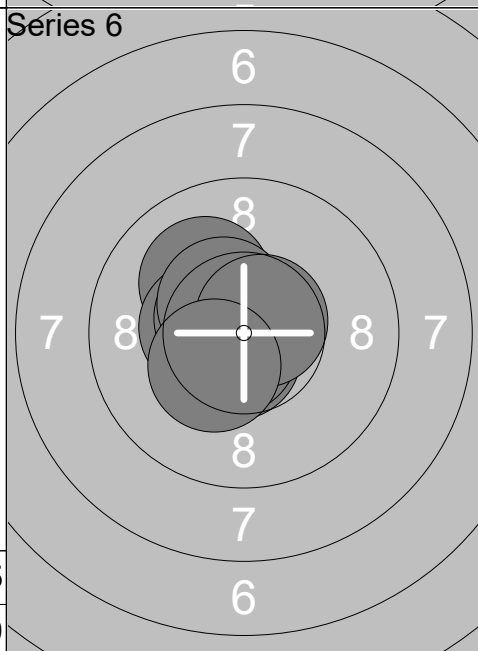
1:	9.8	←
2:	10.2x	↖
3:	10.8x	↑
4:	10.3x	↖
5:	9.9	↗
6:	10.6x	↓
7:	10.6x	↖
8:	10.2x	↑
9:	10.3x	↖
10:	10.7x	↓
Series	103.4	
	310.8	



1:	10.2x	→
2:	10.5x	↗
3:	10.0	←
4:	10.1	↗
5:	10.5x	→
6:	10.3x	↑
7:	10.0	↖
8:	10.4x	↑
9:	10.8x	↖
10:	10.8x	↖
Series	103.6	
	414.4	



1:	10.1	↓
2:	10.7x	↖
3:	10.7x	↓
4:	10.4x	↓
5:	10.7x	↖
6:	9.9	↗
7:	10.6x	↖
8:	10.5x	↑
9:	10.9x	↑
10:	10.0	↗
Series	104.5	
	518.9	



1:	10.9x	↓
2:	10.1	↖
3:	10.6x	↓
4:	10.8x	↑
5:	10.7x	↓
6:	10.4x	↖
7:	10.5x	↖
8:	10.4x	↖
9:	10.6x	↗
10:	10.3x	↖
Series	105.3	
	624.2	