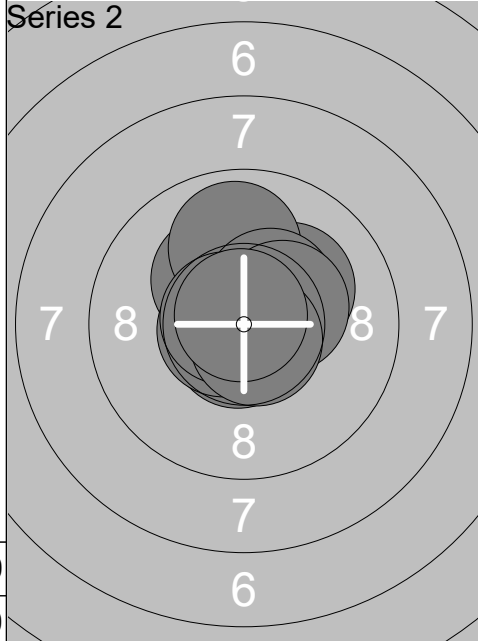
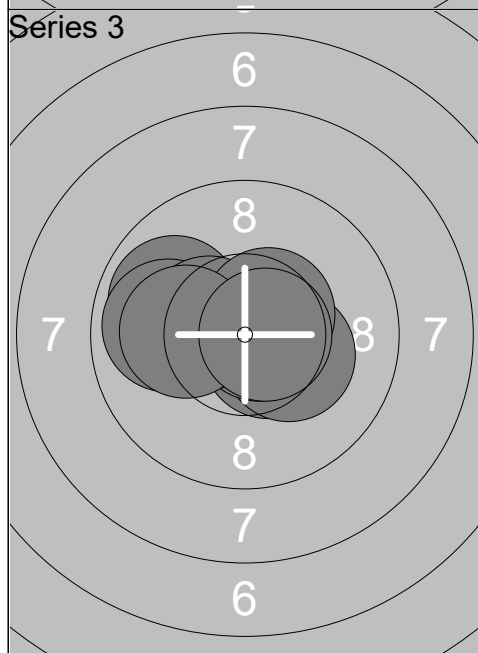


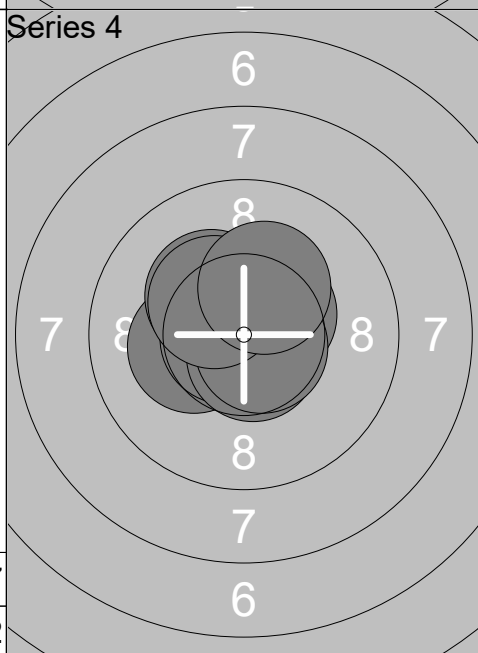
1:	9.1	→
2:	10.2x	↘
3:	9.9	→
4:	10.6x	↑
5:	10.7x	↘
6:	10.5x	↗
7:	10.4x	↘
8:	10.0	↓
9:	9.9	↑
10:	10.7x	↗
Series	102.0	
	102.0	



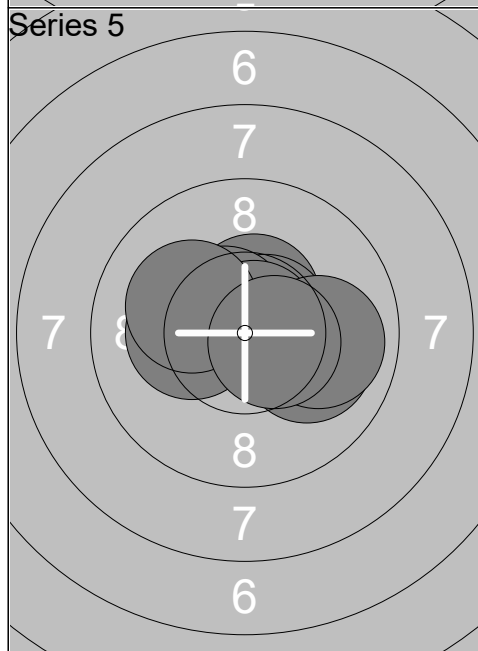
1:	10.2x	↗
2:	10.2x	↖
3:	10.7x	↘
4:	10.6x	←
5:	9.9	↑
6:	10.4x	↗
7:	10.4x	↗
8:	10.7x	↖
9:	10.6x	↘
10:	10.8x	↑
Series	104.5	
	206.5	



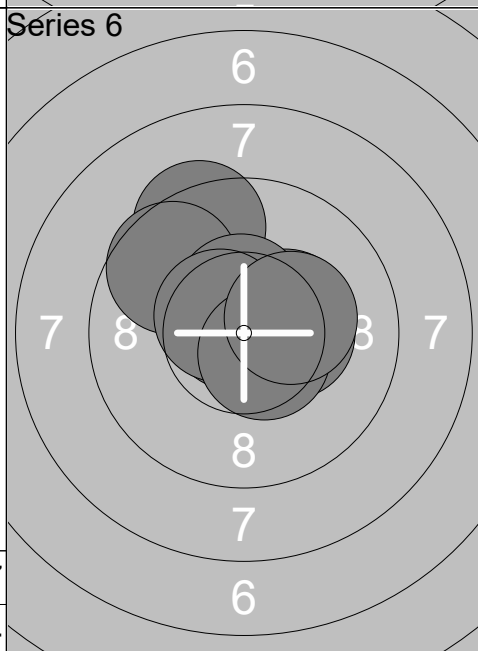
1:	10.5x	↘
2:	9.9	↖
3:	9.9	←
4:	10.8x	↑
5:	10.3x	↘
6:	10.7x	→
7:	10.4x	↖
8:	10.5x	↗
9:	10.1	←
10:	10.6x	→
Series	103.7	
	310.2	



1:	10.2x	←
2:	10.5x	↗
3:	10.4x	↖
4:	10.7x	←
5:	10.7x	↑
6:	10.6x	↘
7:	10.6x	↘
8:	10.2x	↖
9:	10.3x	↖
10:	10.3x	↗
Series	104.5	
	414.7	

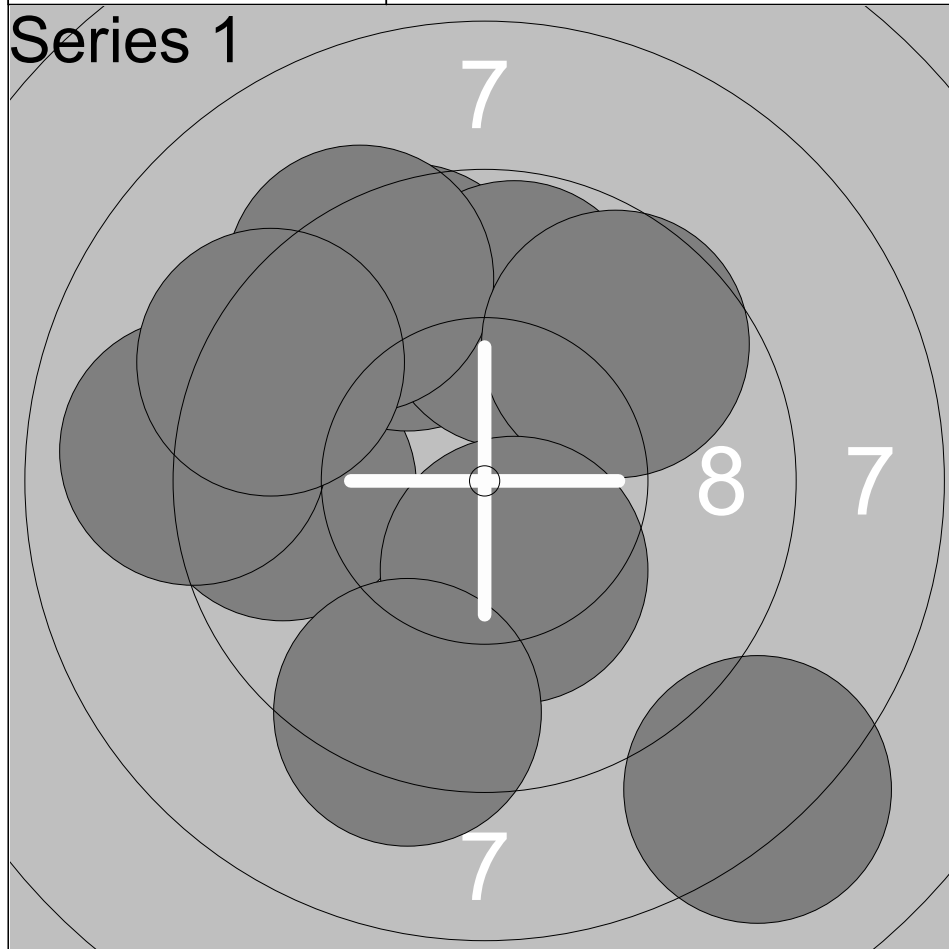


1:	10.6x	↑
2:	10.5x	↑
3:	10.6x	↗
4:	10.0	→
5:	10.5x	↖
6:	10.8x	↗
7:	10.2x	←
8:	9.9	→
9:	10.1	↖
10:	10.5x	→
Series	103.7	
	518.4	

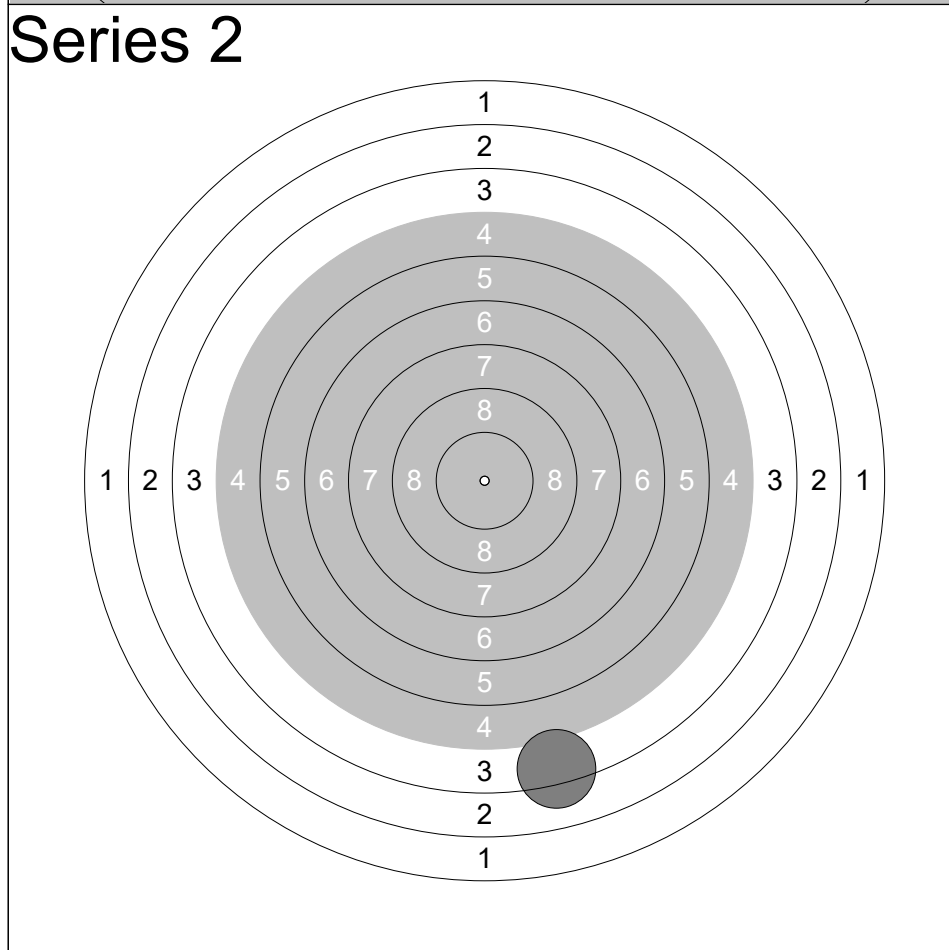


1:	10.3x	→
2:	10.6x	↗
3:	10.7x	↖
4:	9.4	↑
5:	10.3x	→
6:	9.6	↖
7:	10.5x	↑
8:	10.5x	↖
9:	10.5x	↘
10:	10.3x	→
Series	102.7	
	621.1	

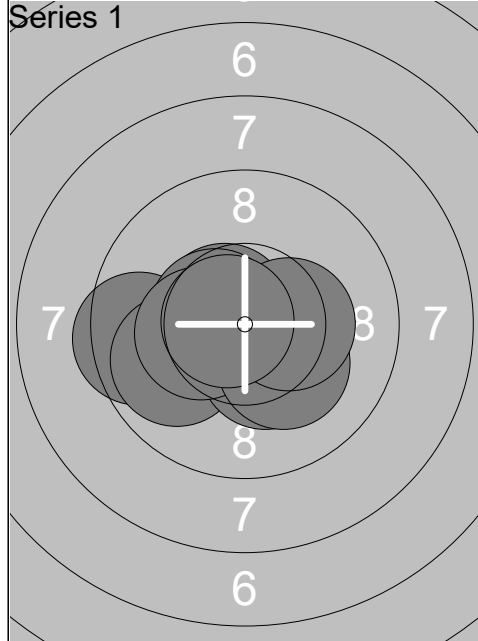
Relay 2	Lane 2	Rikke Bertelsen		
1 Air Qualification		DEN		WJ
18.02.2023		DENMARK OPEN AIR 2023 DAY2		Danmark Open Air 2023
DNF				



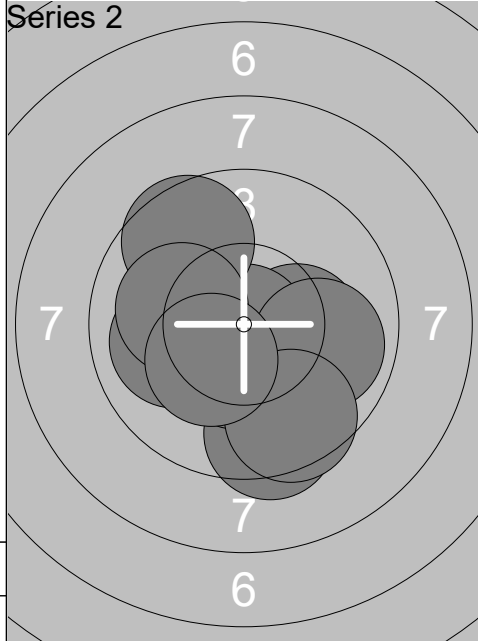
1:	9.6	←
2:	9.6	↑
3:	9.8	↑
4:	9.3	↗
5:	9.6	↗
6:	10.3x	↓
7:	8.9	←
8:	8.2	↘
9:	9.3	↘
10:	9.3	↖
Series		93.9
		93.9



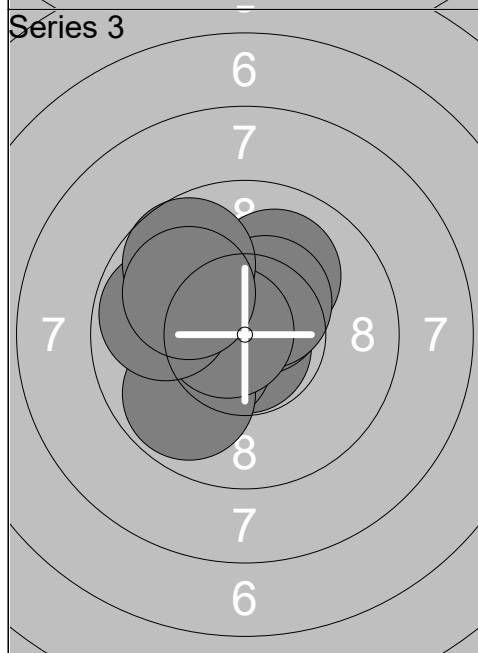
1:	4.2	↓
Series		4.2
		98.1



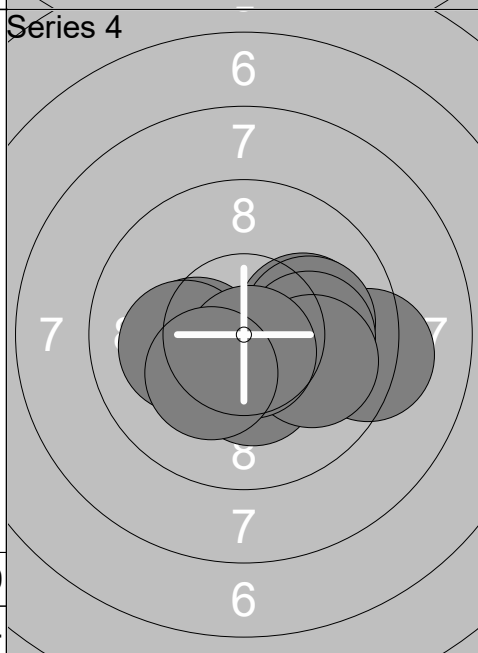
1:	9.5	←
2:	10.8x	←←
3:	9.9	←
4:	10.3x	↘
5:	10.6x	↖
6:	10.5x	←←
7:	10.3x	←←
8:	10.2x	↘
9:	10.3x	→
10:	10.7x	←←
Series		103.1
		103.1



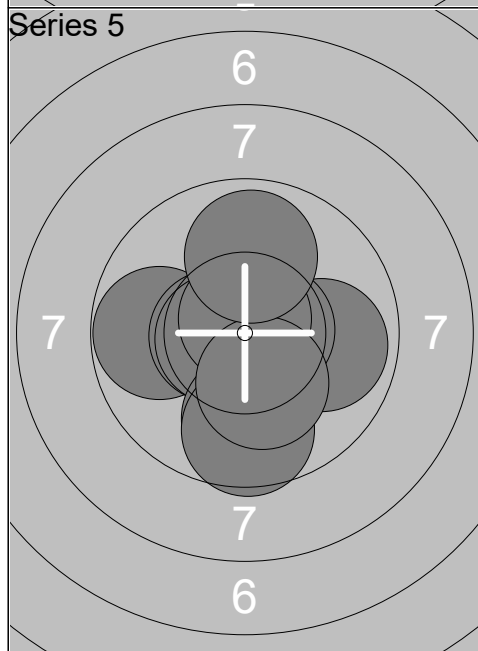
1:	10.2x	→
2:	9.4	↓
3:	10.4x	↓
4:	10.9x	↓
5:	10.0	←
6:	9.6	↗
7:	10.1	←
8:	9.9	→
9:	9.5	↓
10:	10.3x	↙
Series		100.3
		203.4



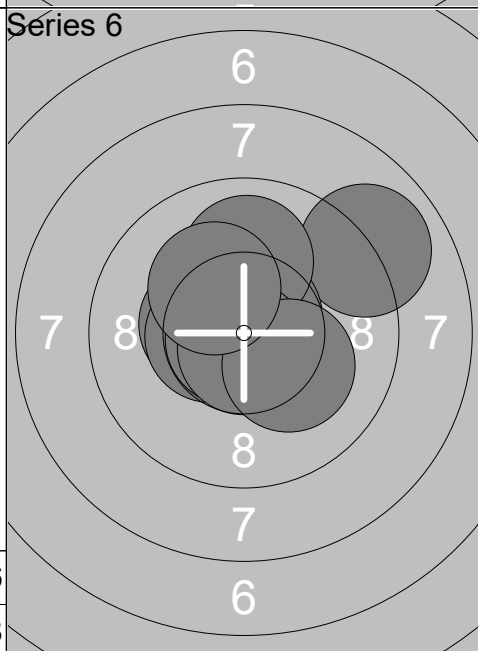
1:	10.8x	↓
2:	10.3x	↙
3:	10.0	↗
4:	10.5x	↗
5:	9.8	↘
6:	10.4x	↗
7:	10.7x	←←
8:	9.8	←
9:	9.7	↗
10:	10.0	↙
Series		102.0
		305.4



1:	10.1	→
2:	9.2	→
3:	10.0	→
4:	10.3x	↓
5:	10.3x	←←
6:	10.0	→
7:	10.1	←
8:	9.9	→
9:	10.7x	↓
10:	10.2x	↙
Series		100.8
		406.2



1:	9.9	→
2:	9.8	←
3:	10.5x	←←
4:	10.6x	←←
5:	9.8	↓
6:	9.6	↓
7:	10.6x	→
8:	10.7x	↑
9:	10.2x	↘
10:	9.9	↑
Series		101.6
		507.8

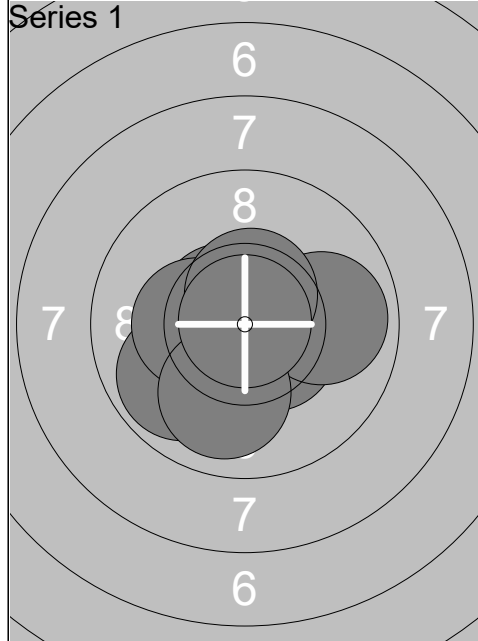


1:	8.9	↗
2:	10.4x	←←
3:	10.7x	↗
4:	10.5x	←←
5:	10.0	↑
6:	10.5x	←←
7:	10.7x	←←
8:	10.7x	↓
9:	10.2x	↘
10:	10.2x	↖
Series		102.8
		610.6

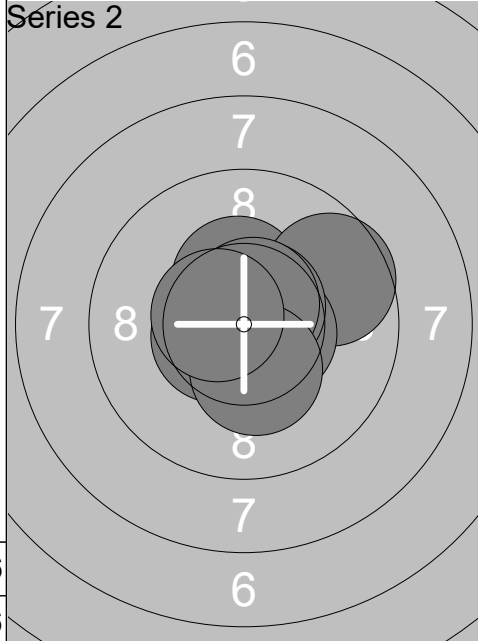
Relay 2	Lane 4	Aicha Rostad
-------------------	------------------	---------------------

1 Air Qualification	NOR	WJ
---------------------	-----	----

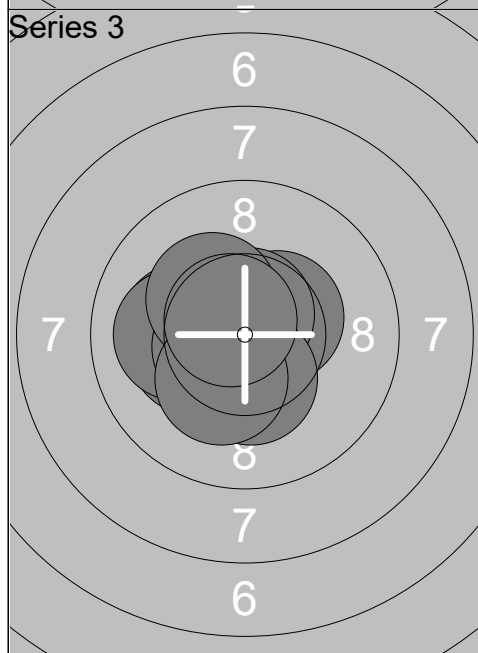
18.02.2023	DENMARK OPEN AIR 2023 DAY2	Danmark Open Air 2023
------------	----------------------------	-----------------------



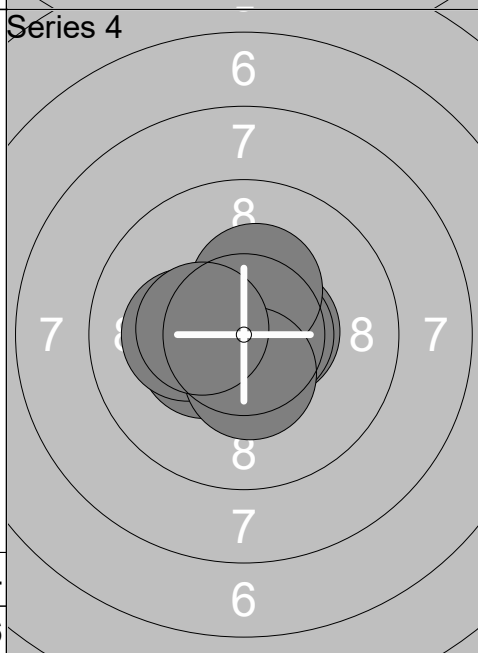
1:	10.5x ↘
2:	10.6x ↘
3:	10.5x ↘
4:	10.6x ↖
5:	9.8 ↙
6:	9.9 →
7:	10.3x ←
8:	10.0 ↓
9:	10.5x ↑
10:	10.9x ↑
Series	103.6
	103.6



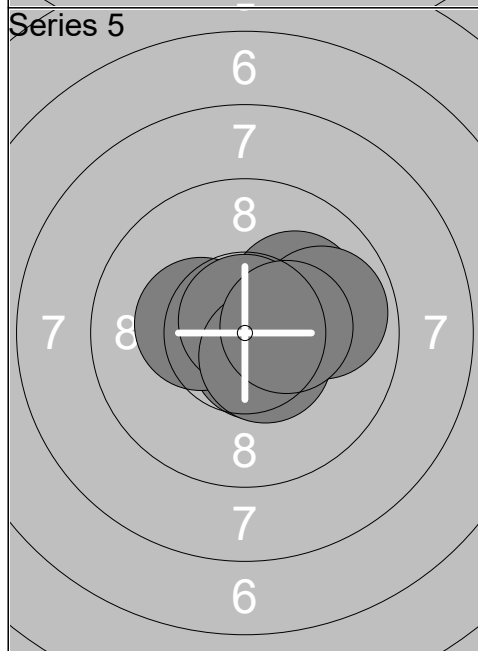
1:	10.7x ↓
2:	10.4x ↑
3:	9.6 ↗
4:	10.5x ↙
5:	10.8x →
6:	10.6x →
7:	10.6x ↗
8:	10.6x ↗
9:	10.3x ↓
10:	10.5x ↙
Series	104.6
	208.2



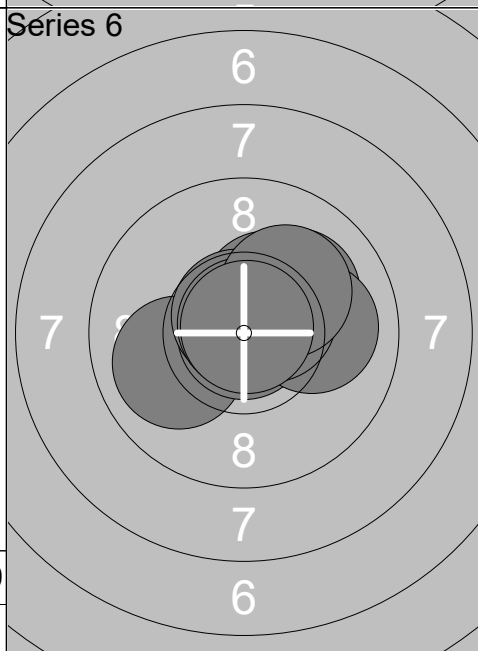
1:	10.2x ↙
2:	10.4x ↗
3:	10.6x ↑
4:	10.3x ↓
5:	10.1 ←
6:	10.1 ←
7:	10.5x ↙
8:	10.3x ↖
9:	10.2x ↓
10:	10.7x ↖
Series	103.4
	311.6



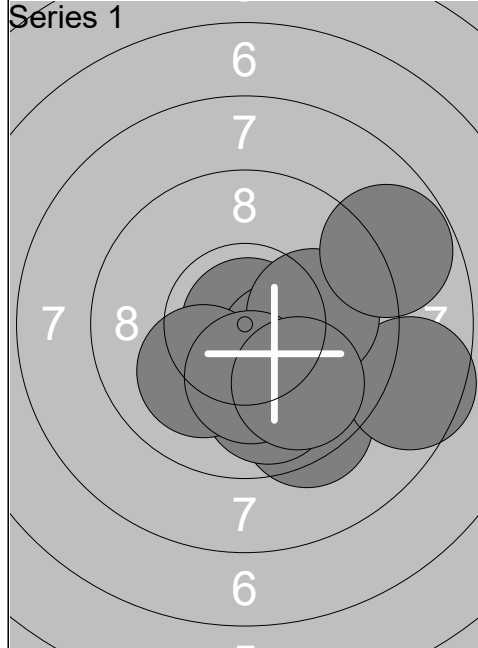
1:	10.4x ↙
2:	10.6x ↙
3:	10.6x ↗
4:	10.2x ↙
5:	10.7x ↑
6:	10.5x →
7:	10.6x →
8:	10.3x ↑
9:	10.4x ↓
10:	10.3x ↙
Series	104.6
	416.2



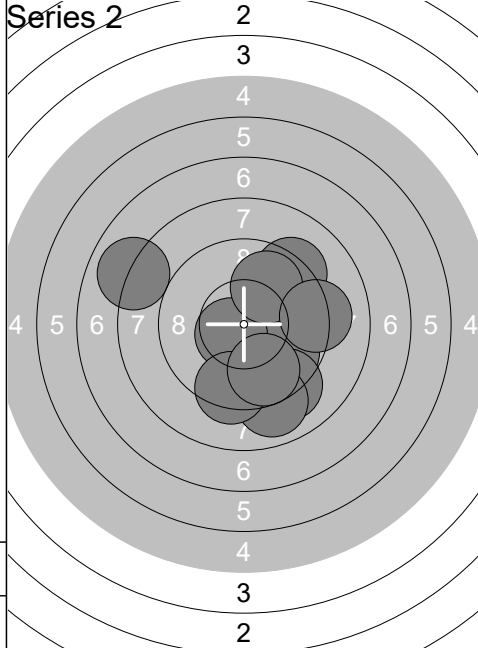
1:	10.5x →
2:	10.6x ↓
3:	10.6x ↘
4:	10.2x →
5:	10.1 ↗
6:	10.3x ←
7:	10.8x ↑
8:	10.5x ↘
9:	9.9 →
10:	10.4x →
Series	103.9
	520.1



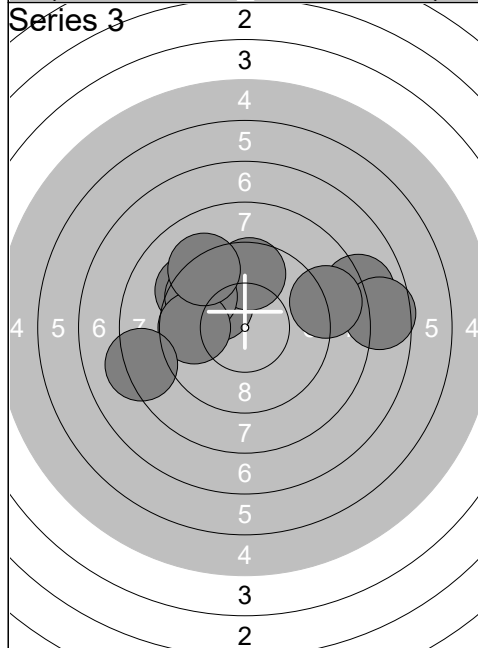
1:	10.0 ↙
2:	10.3x ↗
3:	10.9x
4:	10.1 ↗
5:	10.0 →
6:	10.7x ↖
7:	10.5x ↗
8:	10.8x ↑
9:	10.1 ↗
10:	10.8x ↗
Series	104.2
	624.3



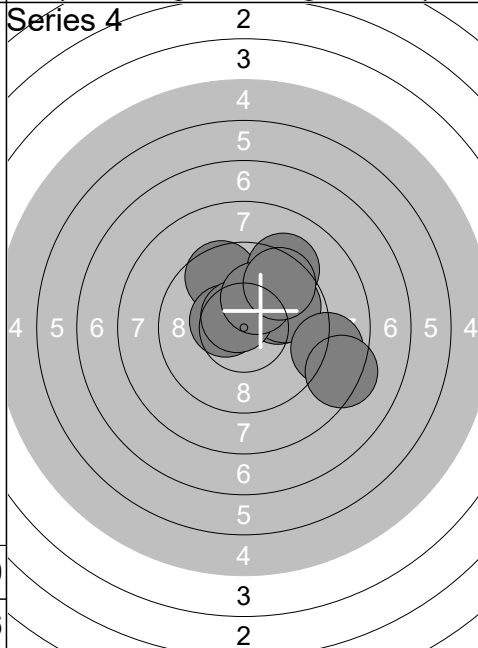
1:	9.4	↘
2:	9.9	↘
3:	10.9x	→
4:	8.6	→
5:	10.3x	↘
6:	10.1	↘
7:	10.0	→
8:	10.2x	↘
9:	8.8	↗
10:	9.9	↘
Series	98.1	
	98.1	



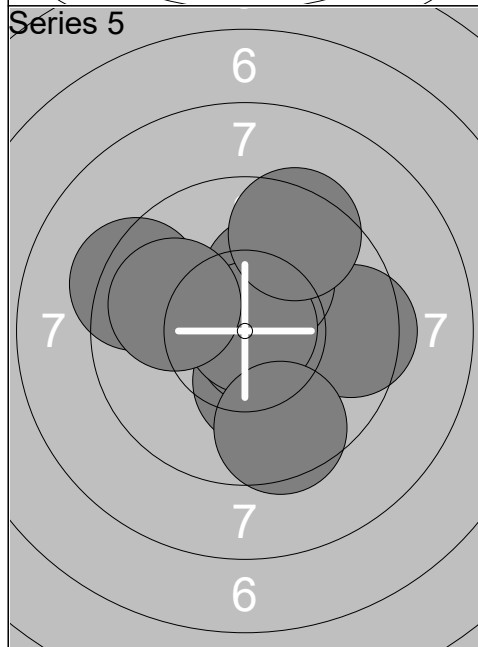
1:	9.8	↘
2:	10.5x	↙
3:	9.1	↘
4:	8.9	↘
5:	9.3	↗
6:	9.8	↗
7:	9.3	↘
8:	9.2	→
9:	9.7	↘
10:	7.9	↖
Series	93.5	
	191.6	



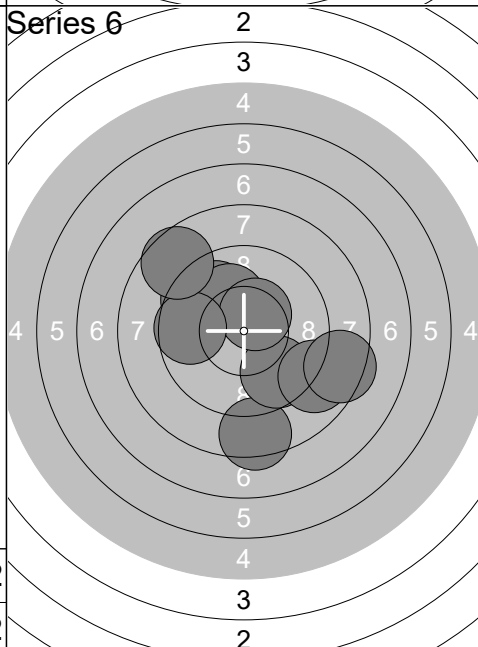
1:	9.3	↖
2:	10.0	↖
3:	9.6	↑
4:	9.6	↖
5:	9.7	←
6:	8.0	→
7:	7.6	→
8:	9.2	↗
9:	8.8	→
10:	8.2	←
Series	90.0	
	281.6	



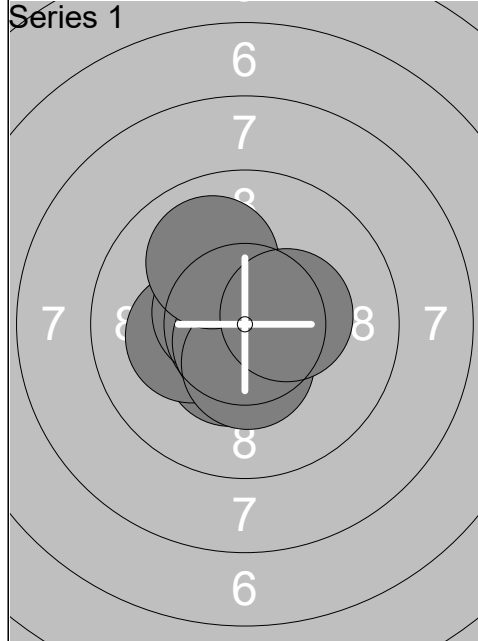
1:	9.6	↗
2:	10.5x	↙
3:	10.0	↗
4:	9.8	↗
5:	8.8	→
6:	8.3	↘
7:	9.2	↗
8:	10.6x	↖
9:	10.1	↗
10:	9.5	↗
Series	96.4	
	378.0	



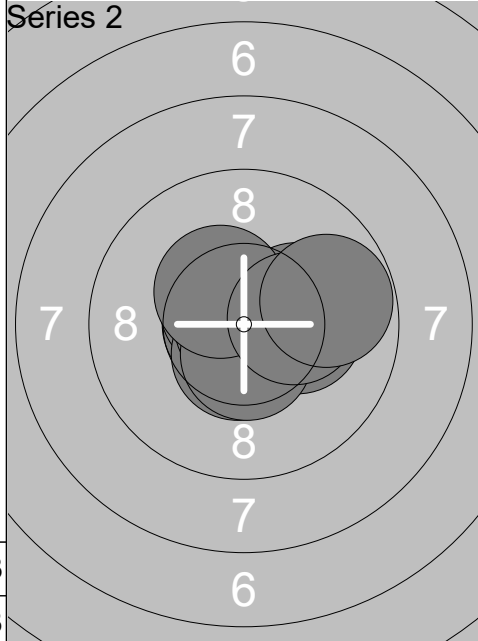
1:	10.2x	↘
2:	10.7x	↘
3:	9.3	↖
4:	10.6x	→
5:	9.5	→
6:	10.2x	↗
7:	10.9x	→
8:	9.4	↗
9:	9.9	↖
10:	9.5	↘
Series	100.2	
	478.2	



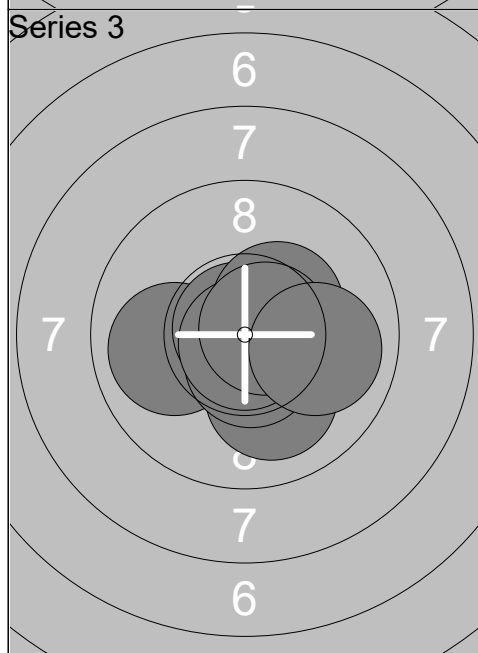
1:	9.5	↖
2:	8.4	↘
3:	9.8	↗
4:	10.1	↗
5:	9.6	↘
6:	10.4x	↗
7:	9.6	←
8:	8.6	↗
9:	8.9	↘
10:	8.4	→
Series	93.3	
	571.5	



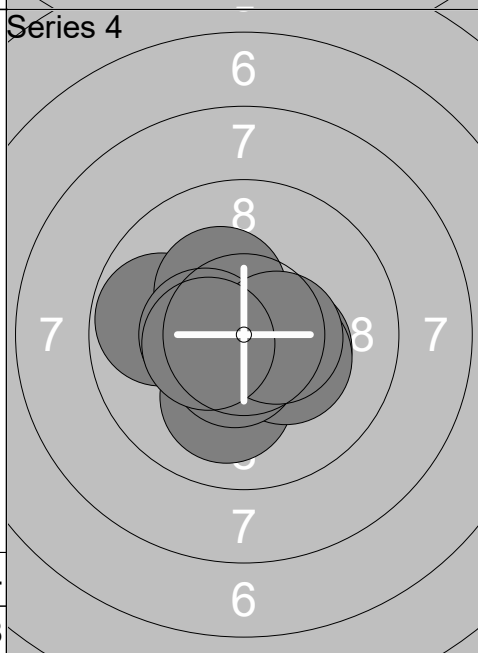
1:	10.7x ↘
2:	10.3x ←
3:	10.4x ↘
4:	10.2x ←
5:	10.5x ↙
6:	10.7x ↗
7:	10.7x ↘
8:	10.4x ↘
9:	10.0 ↗
10:	10.4x →
Series	104.3
	104.3



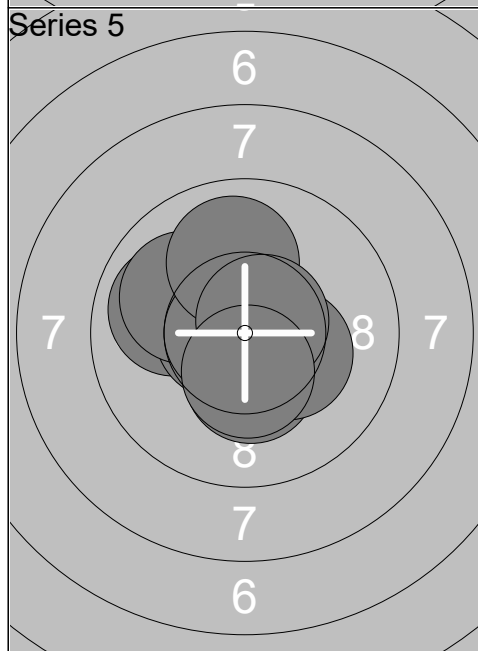
1:	10.7x ←
2:	10.2x →
3:	10.6x ↗
4:	10.2x →
5:	10.5x ↘
6:	10.9x ←
7:	10.5x ↘
8:	10.4x ↗
9:	10.3x →
10:	9.8 →
Series	104.1
	208.4



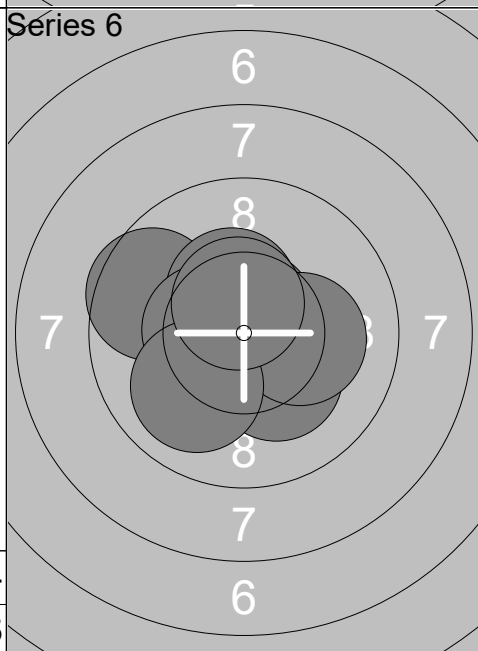
1:	10.7x ↘
2:	10.1 ↘
3:	10.0 ←
4:	10.4x →
5:	10.8x ↗
6:	10.6x ↘
7:	10.4x ↗
8:	10.8x ↘
9:	10.6x →
10:	10.0 →
Series	104.4
	312.8



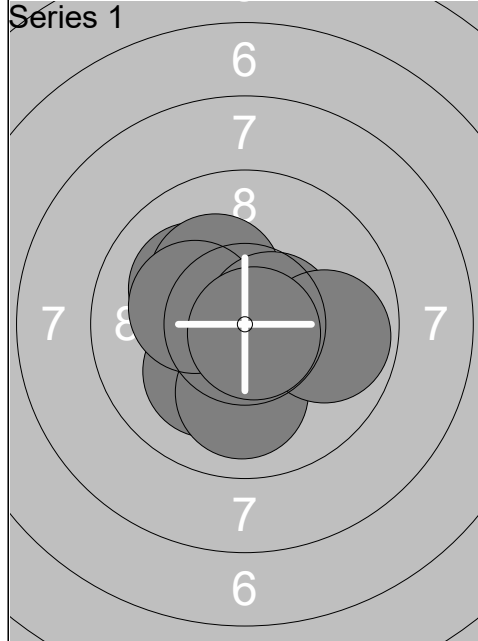
1:	9.8 ←
2:	10.1 ↘
3:	10.7x ↘
4:	10.3x ↗
5:	10.4x ←
6:	10.3x →
7:	10.3x →
8:	10.5x ↘
9:	10.5x →
10:	10.4x ←
Series	103.3
	416.1



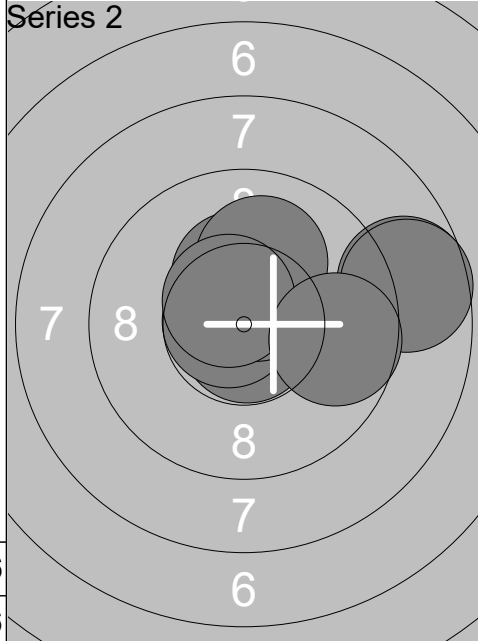
1:	10.3x ↘
2:	9.9 ←
3:	10.6x ←
4:	10.0 ↙
5:	10.7x ←
6:	10.0 ↑
7:	10.6x →
8:	10.3x →
9:	10.6x ↗
10:	10.4x ↘
Series	103.4
	519.5



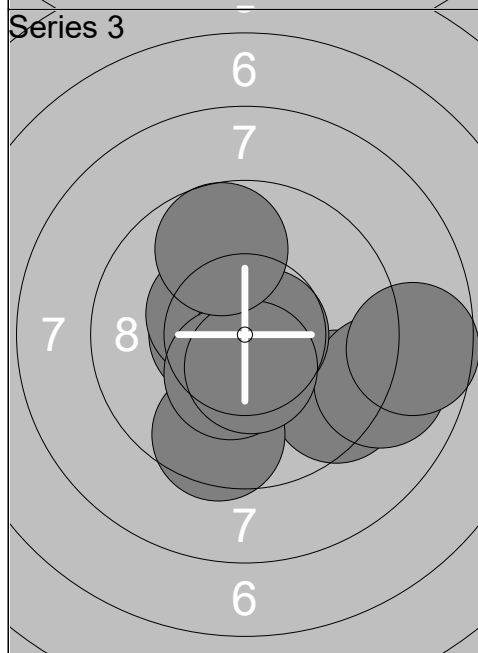
1:	10.3x →
2:	9.6 ←
3:	10.4x →
4:	10.4x ↑
5:	10.7x ↑
6:	10.2x ↘
7:	10.4x ←
8:	10.2x →
9:	10.0 ↘
10:	10.5x ↑
Series	102.7
	622.2



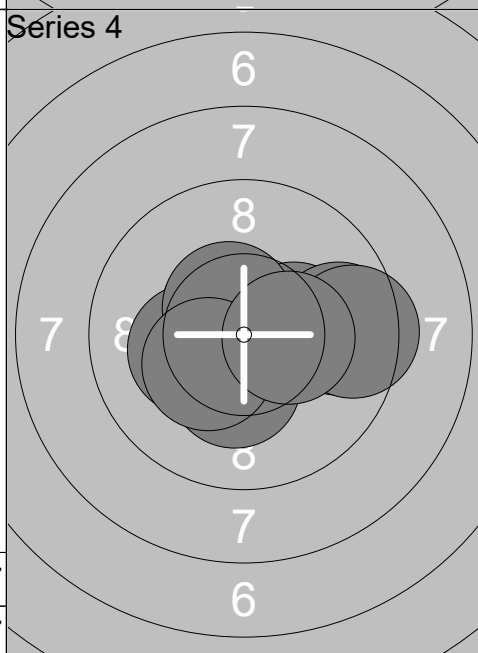
1:	10.1 ↘
2:	10.5x ↓
3:	10.4x →
4:	10.1 ↖
5:	10.0 ↓
6:	10.2x ↗
7:	10.2x ←
8:	10.5x →
9:	9.8 →
10:	10.8x ↘
Series	102.6
	102.6



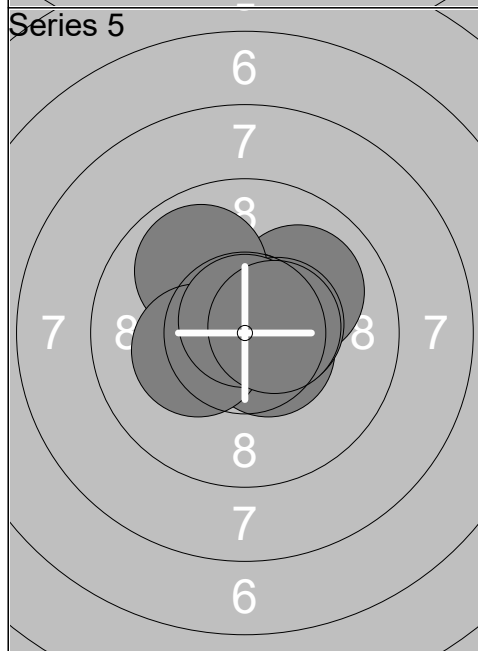
1:	10.8x ↓
2:	10.5x ↑
3:	10.7x ←
4:	10.3x ↑
5:	8.7 →
6:	8.7 →
7:	10.5x ↑
8:	10.0 ↑
9:	10.5x ↘
10:	9.7 →
Series	100.4
	203.0



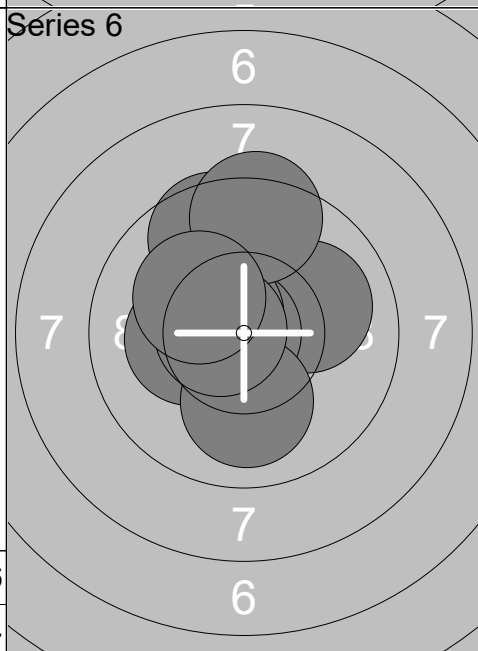
1:	9.4 ↘
2:	10.5x ←
3:	10.4x ↖
4:	9.0 →
5:	8.6 →
6:	9.5 ↓
7:	10.7x →
8:	10.4x ↓
9:	10.5x ↓
10:	9.7 ↑
Series	98.7
	301.7



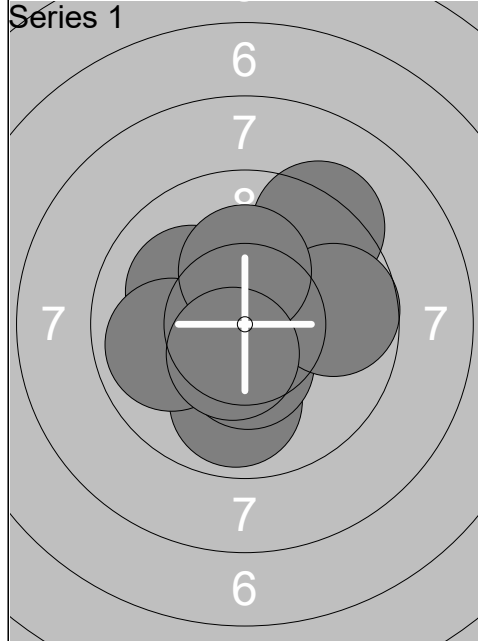
1:	10.6x ↖
2:	10.5x →
3:	10.2x ←
4:	10.3x →
5:	10.5x ↘
6:	10.3x ↓
7:	10.3x ↙
8:	9.7 →
9:	9.4 →
10:	10.3x →
Series	102.1
	403.8



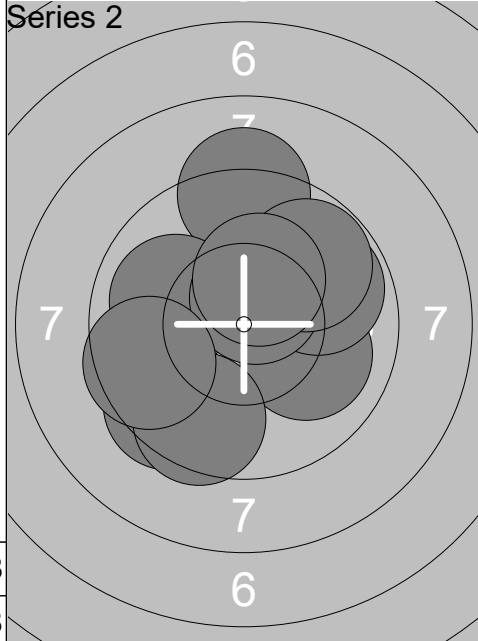
1:	10.0 ↗
2:	10.8x ↙
3:	10.7x ↑
4:	10.7x →
5:	10.5x ↘
6:	10.5x →
7:	9.9 ↗
8:	10.2x ←
9:	10.8x ↑
10:	10.5x →
Series	104.6
	508.4



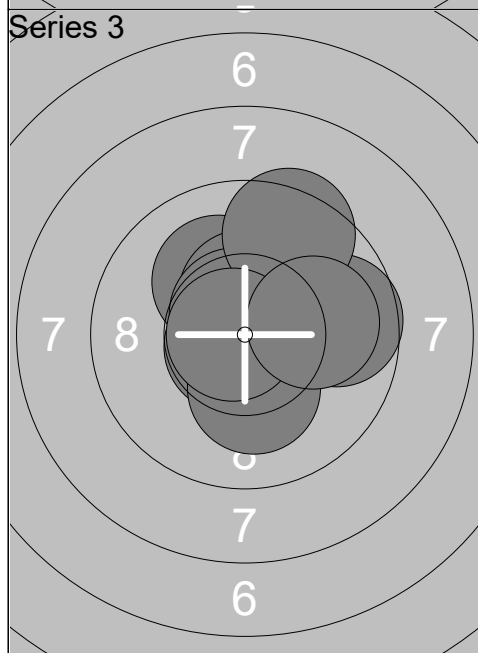
1:	10.0 ↗
2:	10.8x ←
3:	10.5x ←
4:	10.2x ←
5:	10.5x ↖
6:	9.6 ↑
7:	10.0 ↓
8:	9.4 ↑
9:	10.6x ←
10:	10.2x ↖
Series	101.8
	610.2



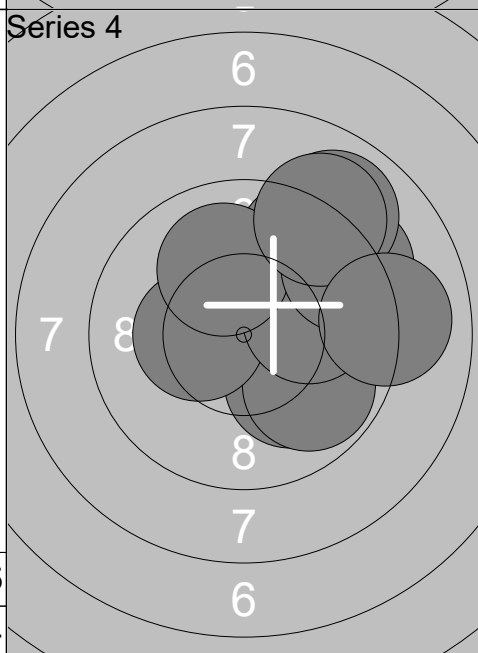
1:	10.4x ↓
2:	9.9 ↓
3:	10.4x ↗
4:	9.3 ↗
5:	10.4x ↓
6:	10.1 ↖
7:	9.9 ←
8:	9.7 →
9:	10.2x ↑
10:	10.5x ↓
Series	100.8
	100.8



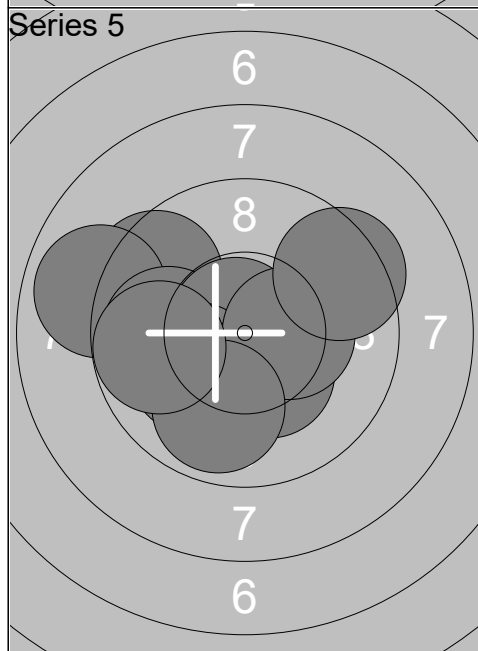
1:	9.2 ↑
2:	9.5 ↘
3:	10.0 ←
4:	10.0 →
5:	9.8 ↗
6:	9.5 ↓
7:	10.5x ↗
8:	9.5 ←
9:	9.8 ↗
10:	10.3x ↑
Series	98.1
	198.9



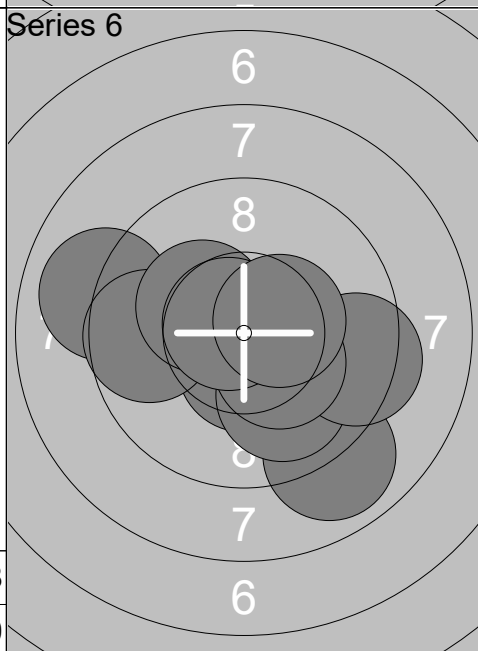
1:	10.1 ↖
2:	10.4x ↑
3:	10.5x ↗
4:	10.7x ↘
5:	9.7 →
6:	10.6x ↗
7:	10.2x ↓
8:	9.5 ↗
9:	10.8x ←
10:	10.0 →
Series	102.5
	301.4



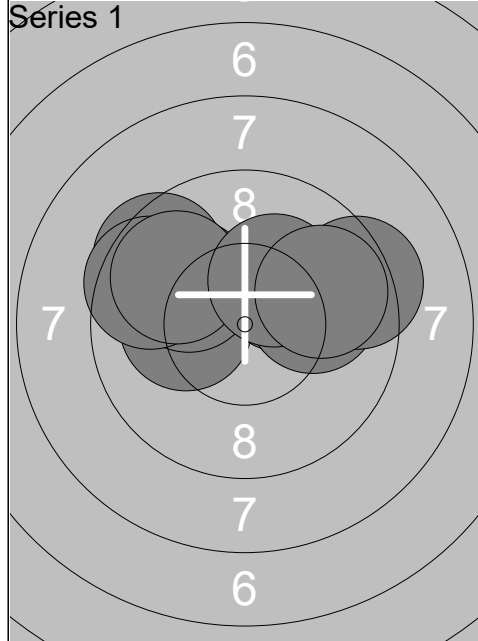
1:	10.0 ↘
2:	9.8 ↘
3:	9.5 ↗
4:	10.3x ←
5:	10.0 →
6:	10.0 ↑
7:	9.2 ↗
8:	8.9 ↗
9:	9.1 ↗
10:	9.0 →
Series	95.8
	397.2



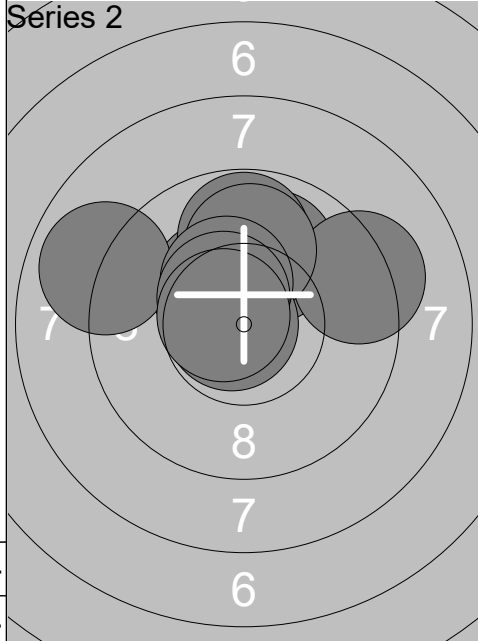
1:	9.5 ↖
2:	8.9 ←
3:	9.9 ←
4:	10.8x ↖
5:	10.1 ←
6:	10.3x ↓
7:	10.3x →
8:	9.4 ↗
9:	9.9 ↓
10:	9.7 ←
Series	98.8
	496.0



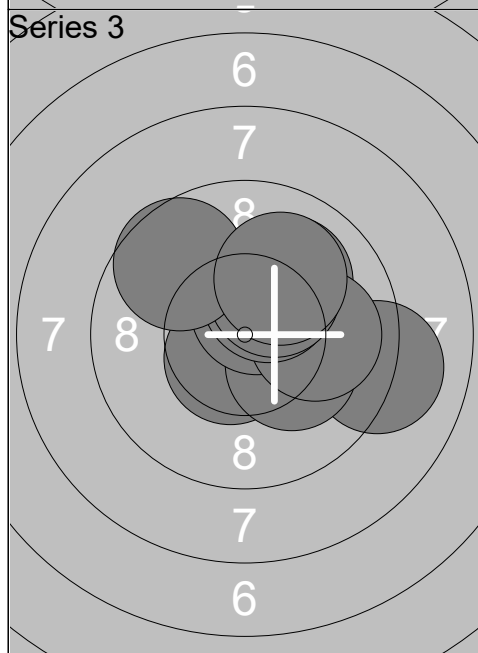
1:	10.5x ↓
2:	8.9 ↘
3:	9.9 ↘
4:	9.4 →
5:	9.0 ←
6:	10.3x ↘
7:	9.7 ←
8:	10.3x ↖
9:	10.7x ↖
10:	10.4x →
Series	99.1
	595.1



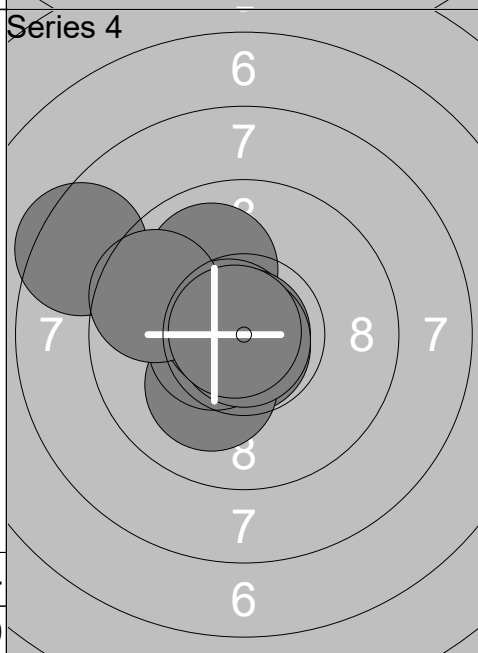
1:	10.1	←
2:	10.2x	↗
3:	10.0	↖
4:	9.5	↖
5:	10.0	→
6:	9.5	↖
7:	9.3	→
8:	9.8	↖
9:	10.2x	↗
10:	9.8	→
Series	98.4	
	98.4	



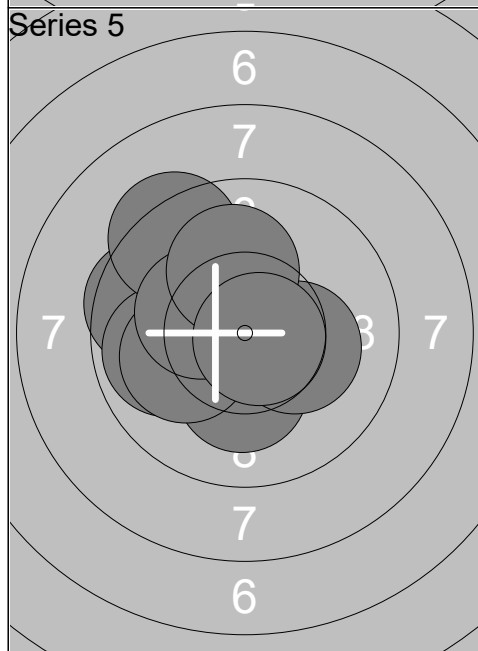
1:	10.3x	↖
2:	9.9	↗
3:	9.2	→
4:	9.8	↑
5:	8.9	↖
6:	9.9	↑
7:	10.8x	←
8:	10.3x	↗
9:	10.5x	↖
10:	10.6x	↖
Series	100.2	
	198.6	



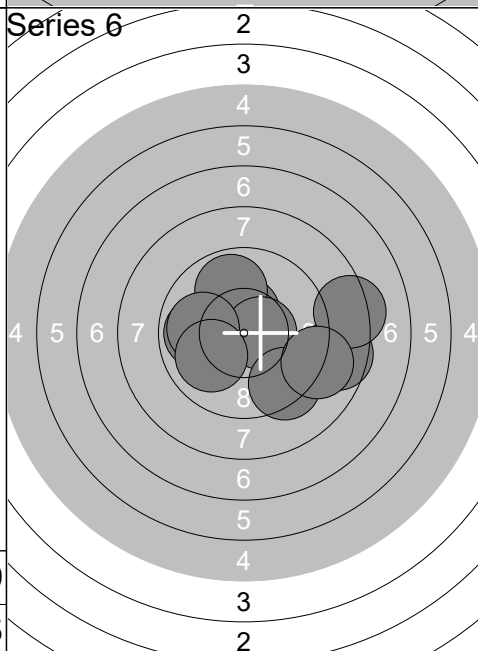
1:	9.1	→
2:	10.0	↗
3:	10.5x	↘
4:	10.2x	↘
5:	10.5x	↗
6:	10.0	→
7:	10.3x	↗
8:	10.2x	↗
9:	9.6	↖
10:	10.0	↗
Series	100.4	
	299.0	



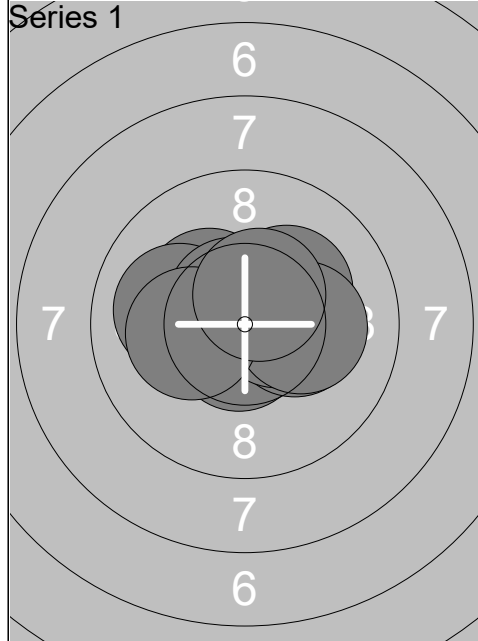
1:	10.8x	↓
2:	9.9	↖
3:	8.4	↖
4:	10.1	↘
5:	10.5x	←
6:	10.7x	↖
7:	10.9x	
8:	9.6	↖
9:	10.9x	↓
10:	10.8x	←
Series	102.6	
	401.6	



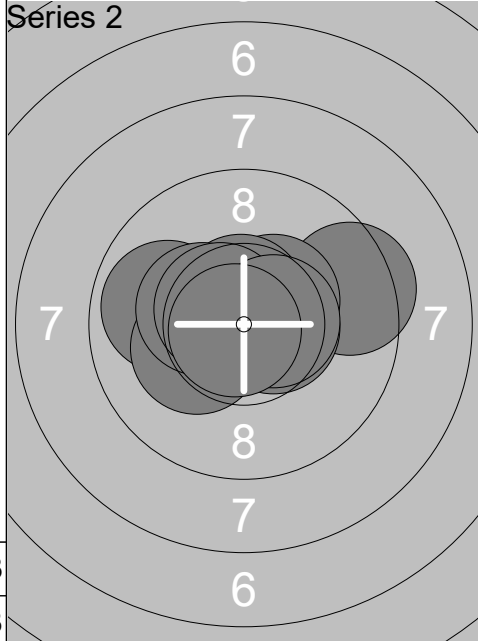
1:	9.6	↖
2:	9.9	↖
3:	10.6x	←
4:	10.2x	↓
5:	10.0	↖
6:	9.3	↗
7:	10.2x	→
8:	10.3x	↖
9:	10.1	↑
10:	10.7x	→
Series	100.9	
	502.5	



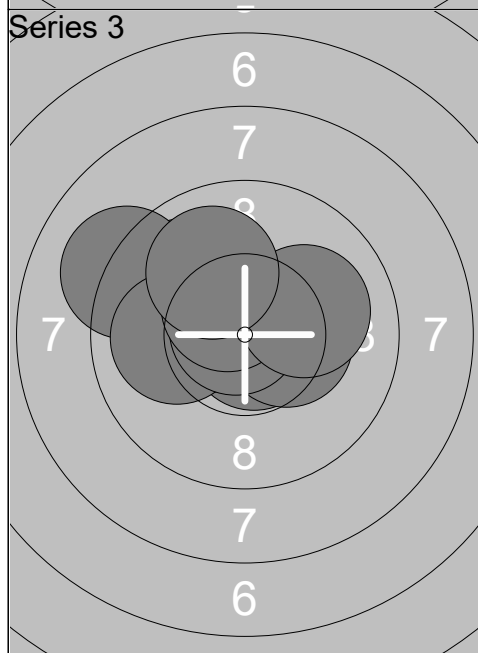
1:	10.4x	↑
2:	9.8	↑
3:	10.5x	→
4:	9.8	←
5:	9.3	↘
6:	8.6	→
7:	9.9	←
8:	8.3	→
9:	9.0	→
10:	10.0	↖
Series	95.6	
	598.1	



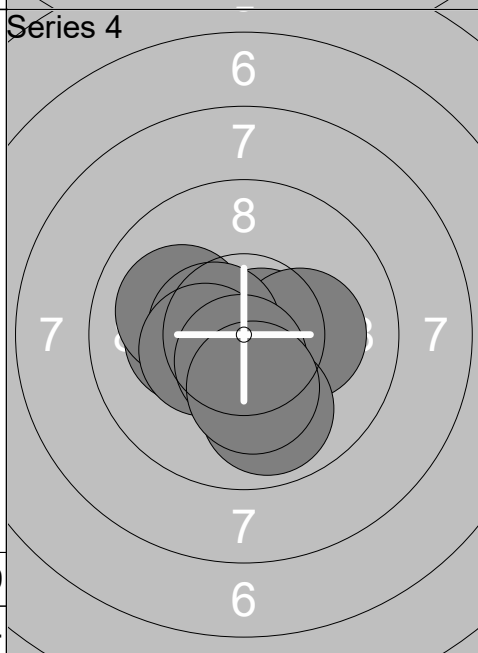
1:	10.3x ↖
2:	10.2x ↗
3:	10.0 ←
4:	10.6x ↗
5:	10.6x ↓
6:	10.2x →
7:	10.5x →
8:	10.2x →
9:	10.2x ←
10:	10.5x ↗
Series	103.3
	103.3



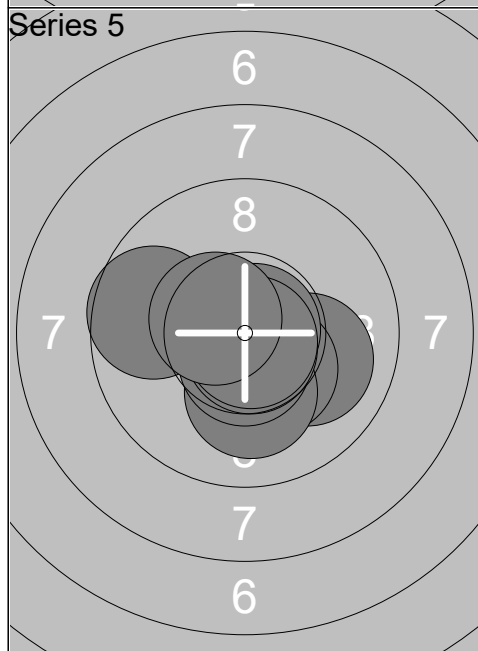
1:	9.4 →
2:	9.9 ←
3:	10.4x ↗
4:	10.2x ↙
5:	10.5x →
6:	10.6x ↑
7:	10.3x ↙
8:	10.6x ↖
9:	10.5x →
10:	10.8x ↙
Series	103.2
	206.5



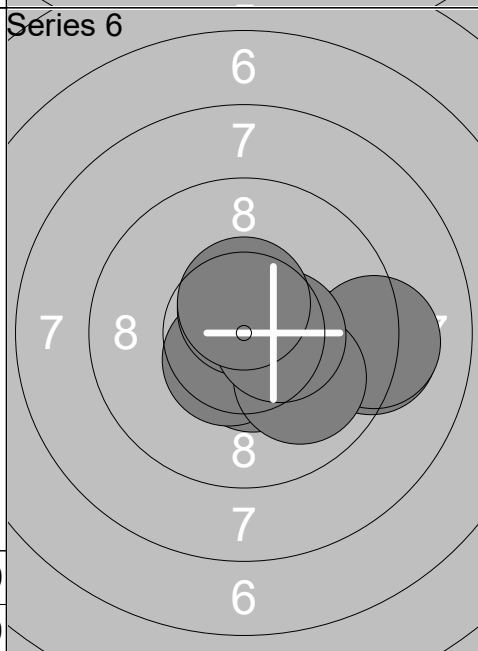
1:	10.7x ↘
2:	9.9 ↗
3:	9.1 ←
4:	10.3x →
5:	10.5x ↙
6:	10.0 ←
7:	10.8x ↖
8:	10.5x ↗
9:	10.1 →
10:	10.0 ↗
Series	101.9
	308.4



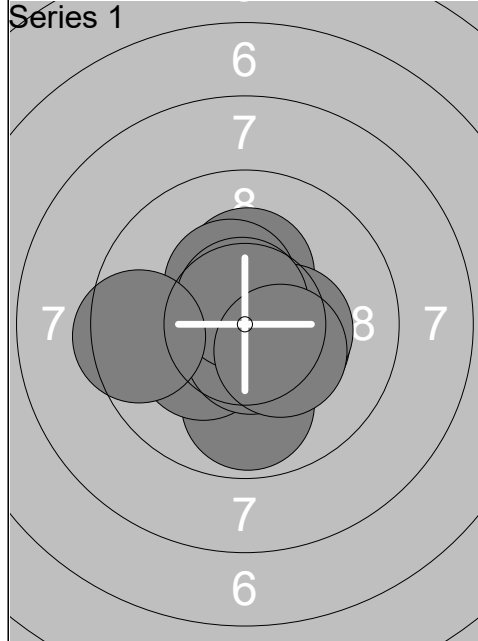
1:	10.8x ←
2:	10.2x ←
3:	10.0 ←
4:	10.7x →
5:	10.2x →
6:	10.5x ↙
7:	10.4x ↙
8:	10.6x ↓
9:	9.9 ↓
10:	10.2x ↓
Series	103.5
	411.9



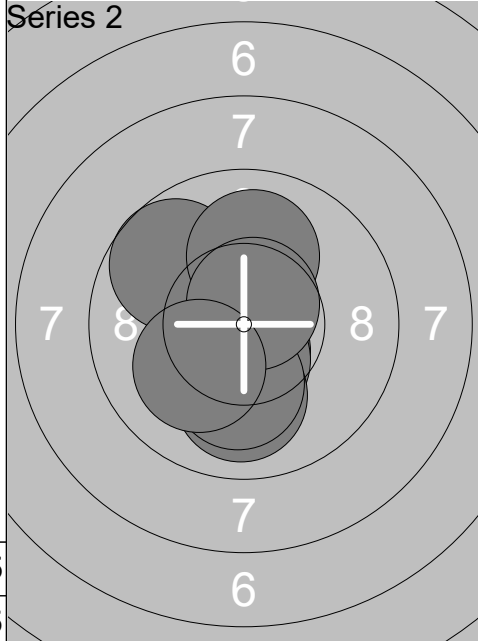
1:	9.6 ←
2:	10.6x ↓
3:	10.0 →
4:	10.3x ↘
5:	10.1 ↓
6:	10.8x →
7:	10.6x ↓
8:	10.7x ↘
9:	10.8x ↘
10:	10.5x ↙
Series	104.0
	515.9



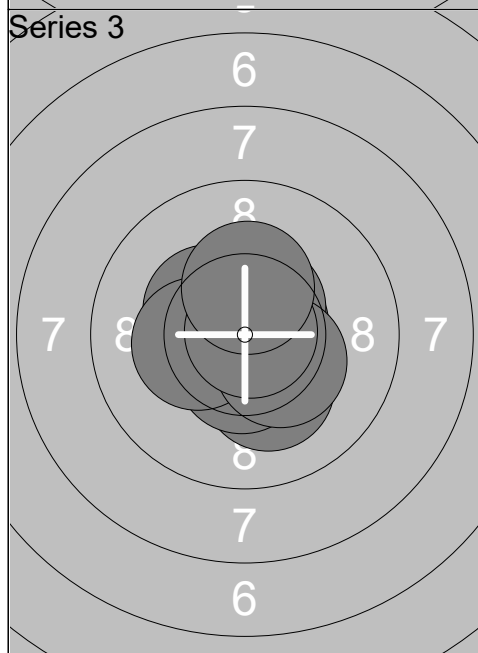
1:	9.9 →
2:	9.2 →
3:	10.7x ↘
4:	9.2 →
5:	10.5x ↓
6:	10.5x ↙
7:	10.6x ↑
8:	10.0 ↘
9:	10.5x →
10:	10.5x ↑
Series	101.6
	617.5



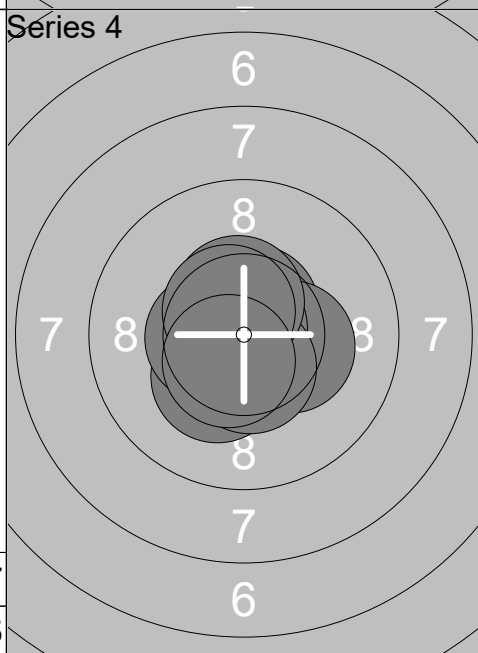
1:	10.3x ↑
2:	10.3x ➤
3:	10.4x ➤
4:	9.8 ↓
5:	10.2x ↙
6:	10.4x ↗
7:	10.6x ↓
8:	10.7x ↑
9:	9.5 ←
10:	10.3x ➤
Series	102.5
	102.5



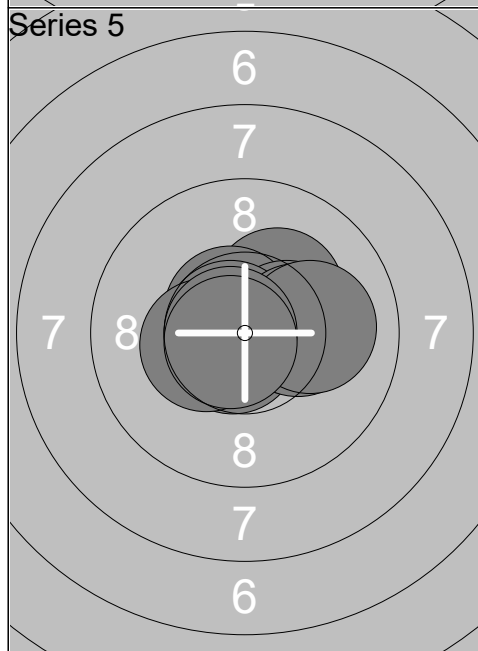
1:	10.2x ↓
2:	10.6x ↓
3:	10.6x ↗
4:	10.4x ↓
5:	10.0 ↓
6:	9.7 ↖
7:	10.0 ↑
8:	10.1 ↓
9:	10.6x ↗
10:	10.1 ↙
Series	102.3
	204.8



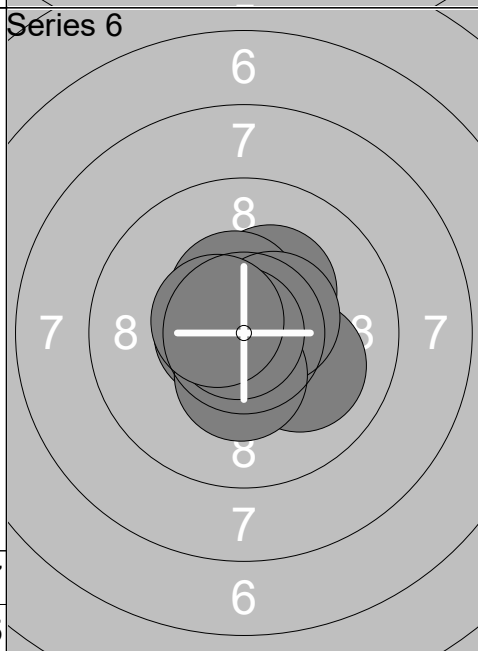
1:	10.8x ↓
2:	10.7x ➤
3:	10.2x ↓
4:	10.5x ↗
5:	10.3x ↖
6:	10.5x ↓
7:	10.3x ←
8:	10.3x ➤
9:	10.8x ➤
10:	10.3x ↑
Series	104.7
	309.5



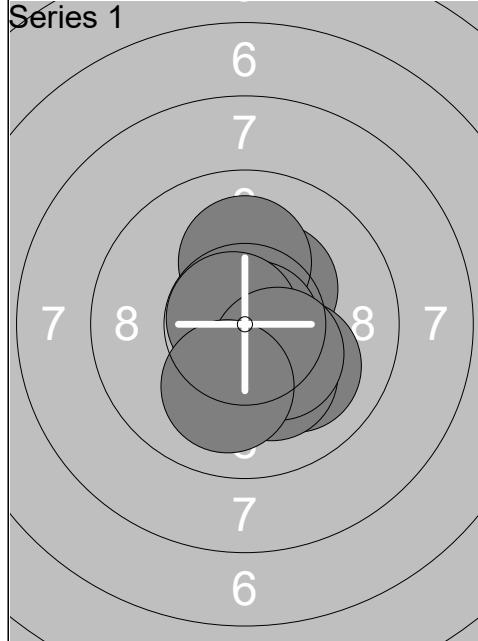
1:	10.6x ↗
2:	10.3x ↙
3:	10.3x ➤
4:	10.5x ←
5:	10.7x ↓
6:	10.8x ↗
7:	10.5x ↓
8:	10.5x ↑
9:	10.6x ↖
10:	10.5x ↙
Series	105.3
	414.8



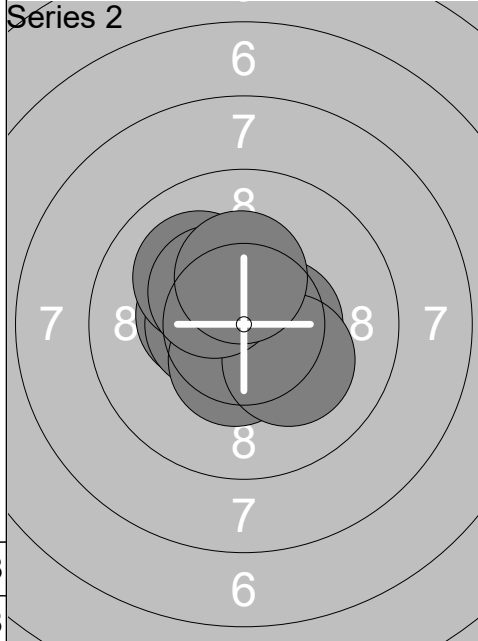
1:	10.2x ↗
2:	10.7x ↙
3:	10.6x ↖
4:	10.4x ➤
5:	10.7x ↖
6:	10.4x ←
7:	10.2x ➤
8:	10.1 ➤
9:	10.7x ←
10:	10.7x ↙
Series	104.7
	519.5



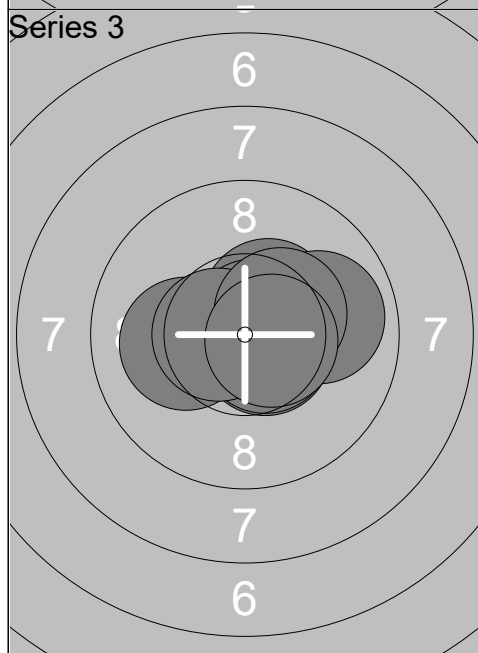
1:	10.8x ➤
2:	10.2x ↗
3:	10.0 ➤
4:	10.7x ↖
5:	10.6x ←
6:	10.4x ↑
7:	10.5x ➤
8:	10.4x ↓
9:	10.9x ←
10:	10.5x ↖
Series	105.0
	624.5



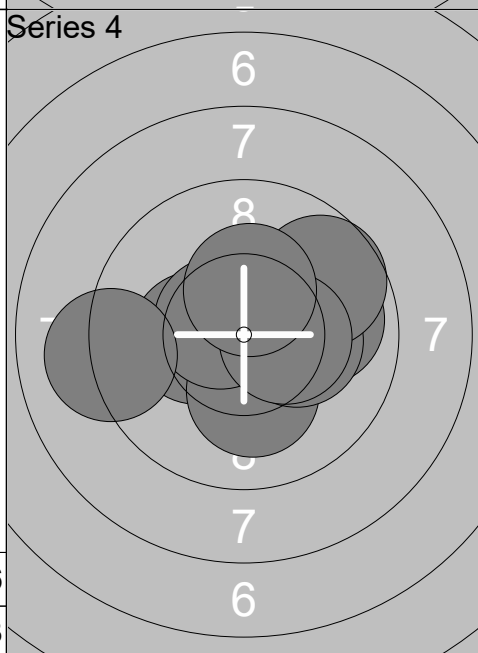
1:	10.3x ↗
2:	10.3x ↘
3:	10.1 ↘
4:	10.2x ↘
5:	10.1 ↑
6:	10.9x
7:	10.8x →
8:	10.8x ←
9:	10.3x ↘
10:	10.0 ↘
Series	103.8
	103.8



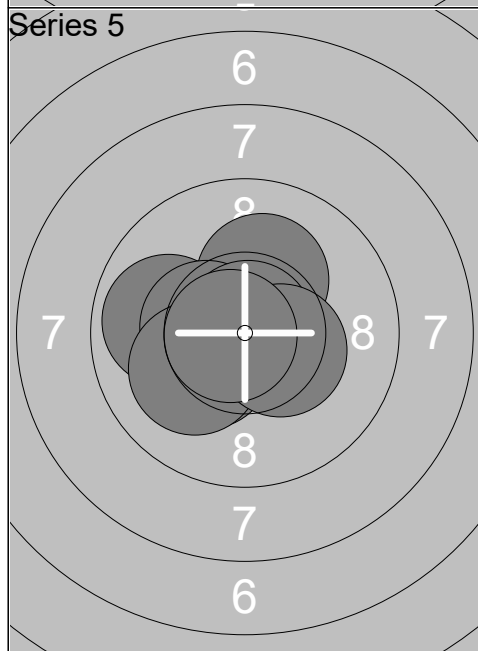
1:	10.5x ↓
2:	10.5x →
3:	10.3x ←
4:	10.5x ←
5:	10.8x ↘
6:	10.4x ↘
7:	10.2x ↘
8:	10.1 ↗
9:	10.3x ↗
10:	10.3x ↑
Series	103.9
	207.7



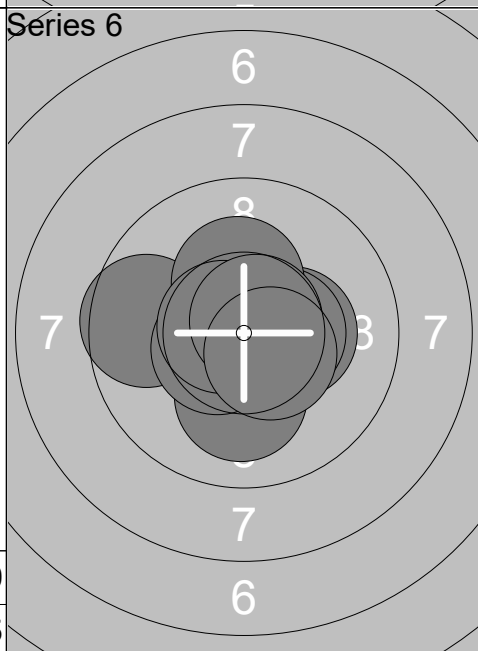
1:	10.6x ↗
2:	10.1 ←
3:	10.6x ↘
4:	10.4x ↗
5:	10.8x ↗
6:	9.9 →
7:	10.6x ↘
8:	10.6x ←
9:	10.4x ↗
10:	10.6x →
Series	104.6
	312.3



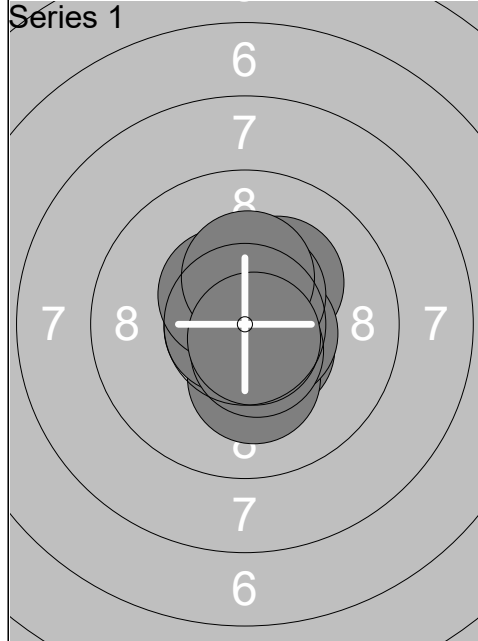
1:	10.3x ←
2:	10.5x →
3:	10.2x ↓
4:	10.6x ←
5:	9.9 →
6:	9.1 ←
7:	10.2x →
8:	9.7 ↗
9:	10.4x →
10:	10.3x ↑
Series	101.2
	413.5



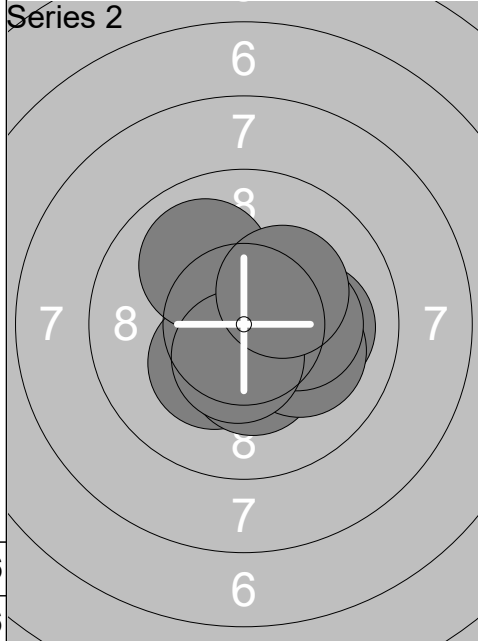
1:	10.6x ←
2:	9.9 ←
3:	10.6x →
4:	10.2x ↑
5:	10.4x ←
6:	10.8x ↗
7:	10.3x ←
8:	10.1 ←
9:	10.4x ↘
10:	10.7x ←
Series	104.0
	517.5



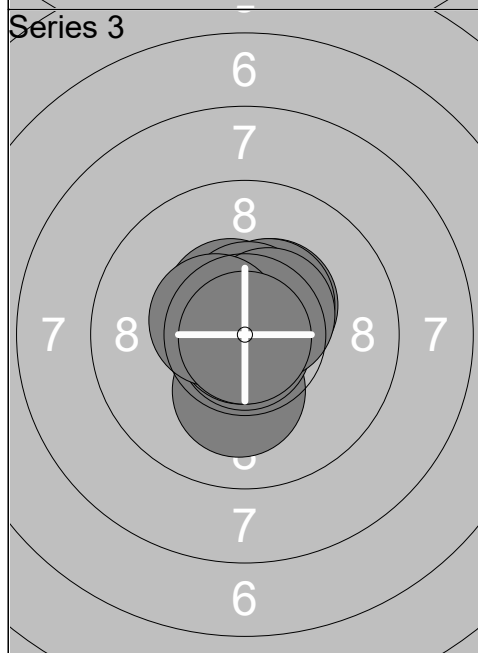
1:	10.3x →
2:	10.1 ↓
3:	9.6 ←
4:	10.5x →
5:	10.5x ←
6:	10.4x ↑
7:	10.3x ↑
8:	10.6x ←
9:	10.7x ↗
10:	10.5x ↘
Series	103.5
	621.0



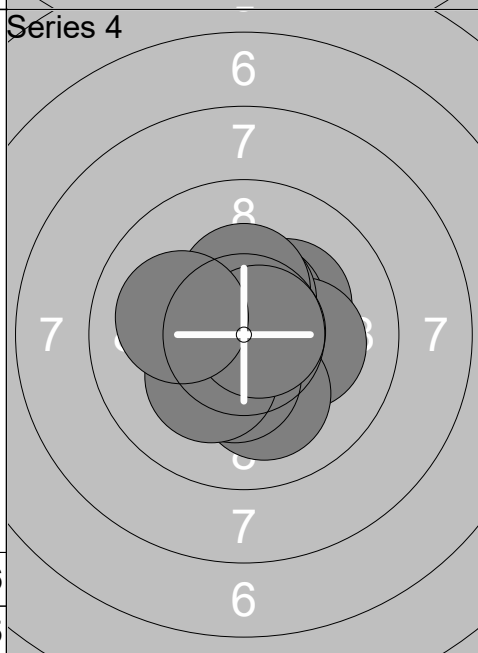
1:	10.5x ↘
2:	10.2x ↓
3:	10.2x ↗
4:	10.6x →
5:	10.7x ←
6:	10.5x ↗
7:	10.4x ↖
8:	10.3x ↑
9:	10.5x ↓
10:	10.7x ↓
Series	104.6
	104.6



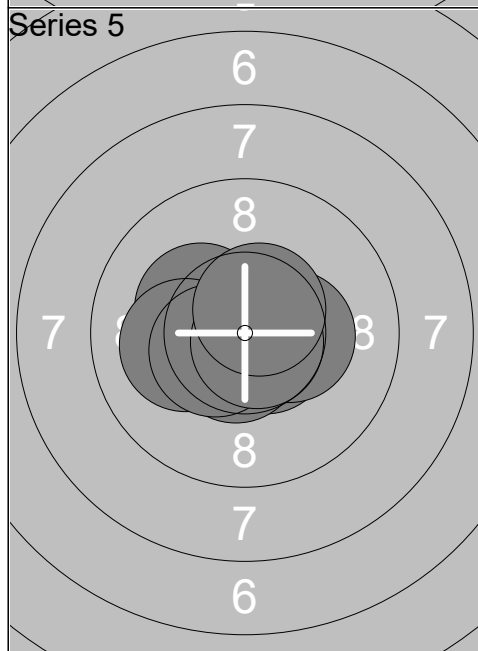
1:	10.7x →
2:	10.8x ↑
3:	10.3x ↙
4:	10.3x ↓
5:	10.0 ↖
6:	10.1 →
7:	10.1 →
8:	10.2x →
9:	10.5x ↓
10:	10.3x ↗
Series	103.3
	207.9



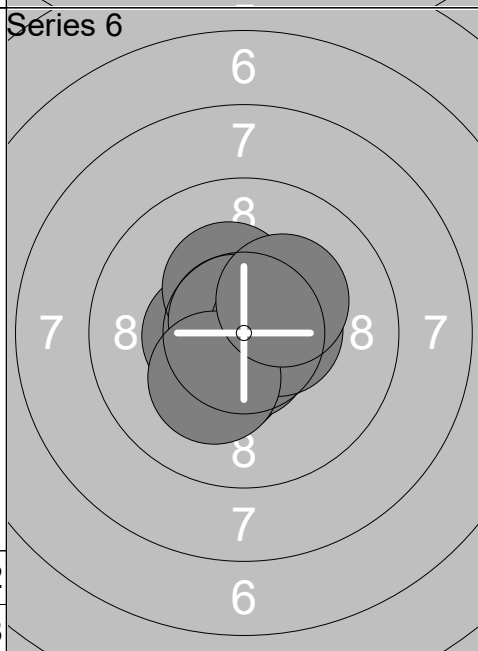
1:	10.1 ↓
2:	10.8x ↓
3:	10.5x ↖
4:	10.9x ↙
5:	10.4x ↗
6:	10.4x ↗
7:	10.6x ↑
8:	10.5x ↗
9:	10.5x ↖
10:	10.9x ↓
Series	105.6
	313.5



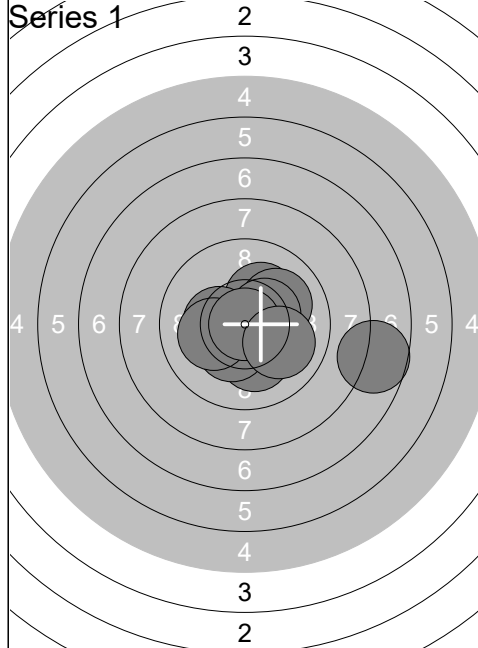
1:	10.3x ↗
2:	10.5x ↗
3:	10.1 →
4:	10.1 ↓
5:	10.3x ↓
6:	10.5x ↑
7:	10.2x ↙
8:	10.3x ↑
9:	10.7x →
10:	10.1 ←
Series	103.1
	416.6



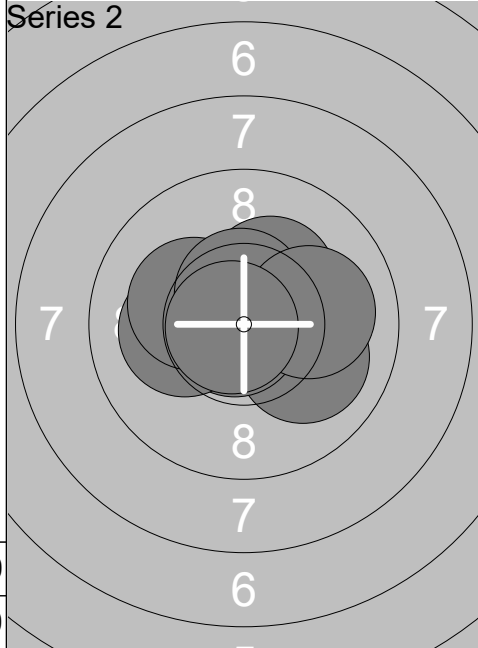
1:	10.6x ↘
2:	10.3x ↖
3:	10.9x
4:	10.6x ↙
5:	10.6x ↓
6:	10.1 ←
7:	10.3x →
8:	10.5x ↖
9:	10.7x ↘
10:	10.6x ↗
Series	105.2
	521.8



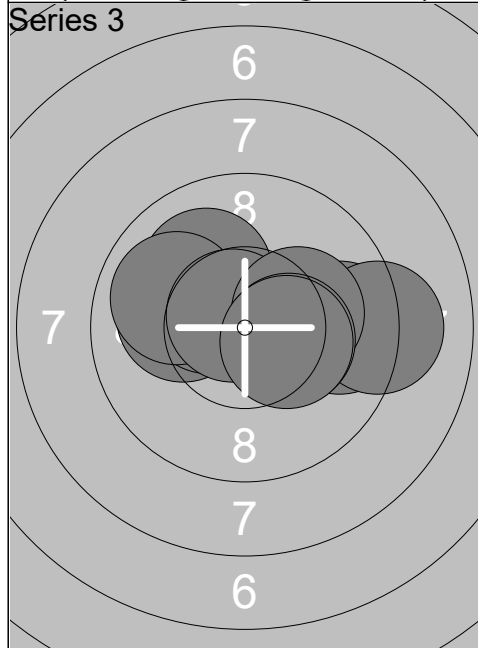
1:	10.5x ←
2:	10.3x ↙
3:	10.7x →
4:	10.5x ↑
5:	10.7x ↓
6:	10.3x ↑
7:	10.7x ↖
8:	10.5x →
9:	10.2x ↙
10:	10.2x ↗
Series	104.6
	626.4



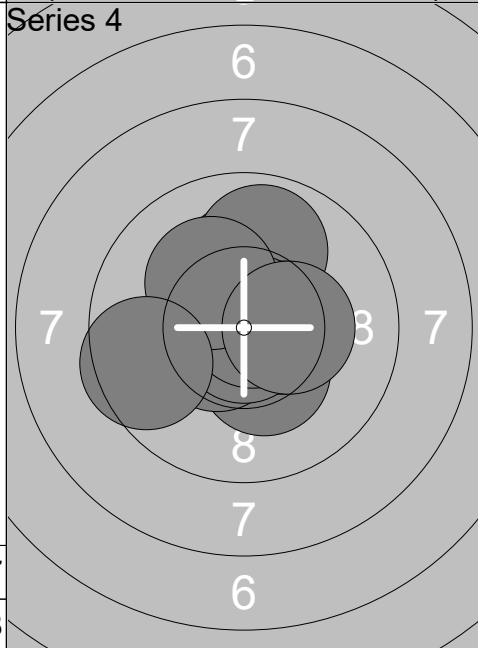
1:	7.7	→
2:	10.2x	↗
3:	10.0	↗
4:	10.1	↓
5:	10.3x	↘
6:	10.4x	↗
7:	10.3x	←
8:	10.1	←
9:	10.9x	
10:	10.0	→
Series	100.0	
	100.0	



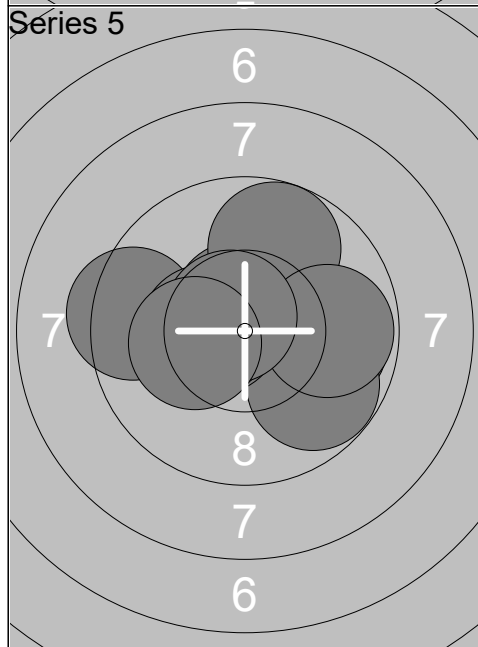
1:	10.1	→
2:	10.0	→
3:	10.8x	↙
4:	10.3x	←
5:	10.3x	↗
6:	10.1	←
7:	10.2x	←
8:	10.5x	↑
9:	10.0	→
10:	10.8x	←
Series	103.1	
	203.1	



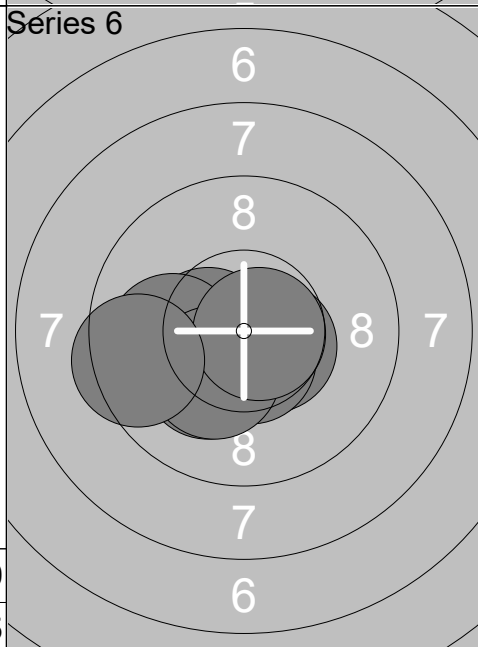
1:	9.6	→
2:	10.1	←
3:	10.4x	↙
4:	10.0	↗
5:	9.9	←
6:	9.2	→
7:	10.7x	↗
8:	10.2x	→
9:	10.3x	→
10:	10.3x	→
Series	100.7	
	303.8	



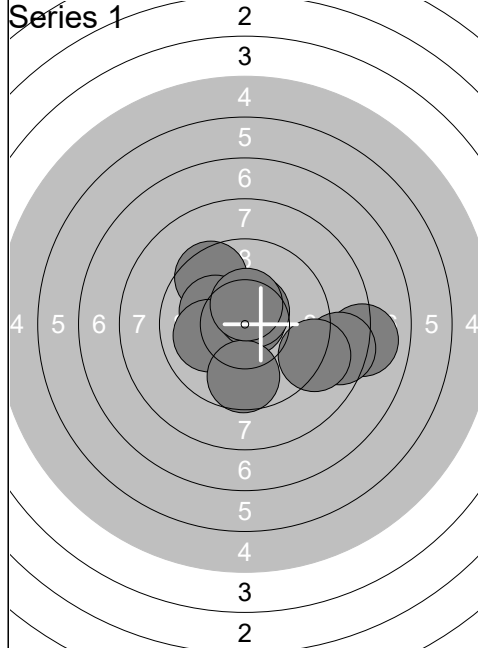
1:	10.3x	↘
2:	10.1	↑
3:	9.8	↑
4:	10.5x	↙
5:	10.4x	→
6:	10.8x	↓
7:	10.8x	↗
8:	10.2x	↖
9:	10.3x	→
10:	9.5	←
Series	102.7	
	406.5	



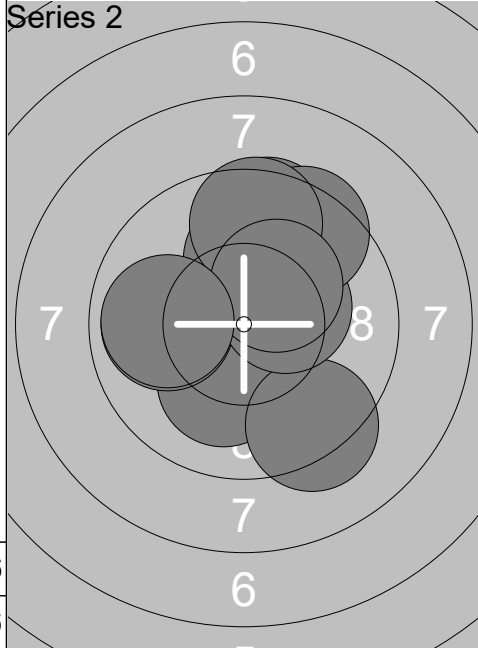
1:	9.9	→
2:	10.6x	↗
3:	9.8	↘
4:	10.5x	←
5:	9.4	←
6:	9.7	↑
7:	9.8	→
8:	10.4x	←
9:	10.7x	↗
10:	10.2x	←
Series	101.0	
	507.5	



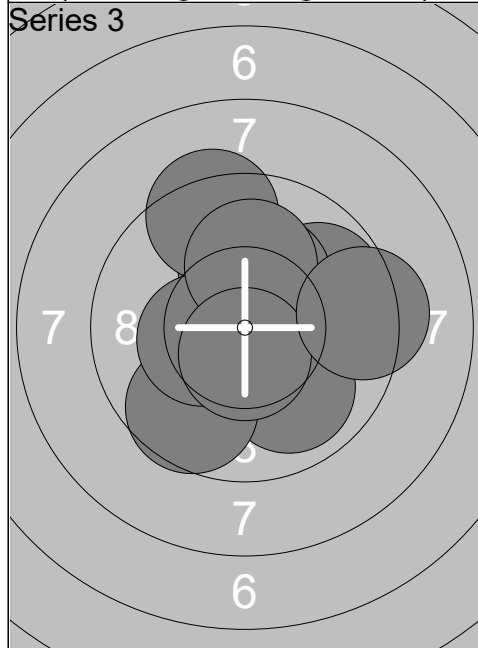
1:	10.4x	←
2:	10.6x	↘
3:	10.6x	↘
4:	10.5x	↘
5:	10.2x	↙
6:	10.0	←
7:	10.6x	↓
8:	10.3x	↙
9:	10.7x	→
10:	9.4	←
Series	103.3	
	610.8	



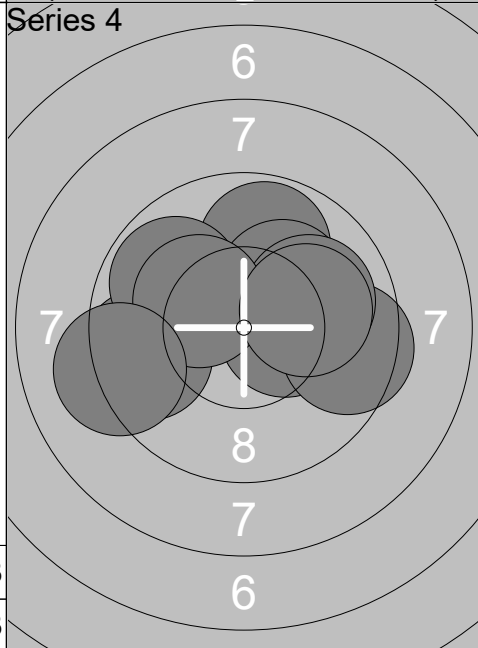
1: 8.0 →
2: 8.5 →
3: 9.1 →
4: 9.5 ↗
5: 10.1 ←
6: 10.7x ↗
7: 10.0 ←
8: 10.5x ↗
9: 9.7 ↓
10: 10.5x ↑
Series 96.6
96.6



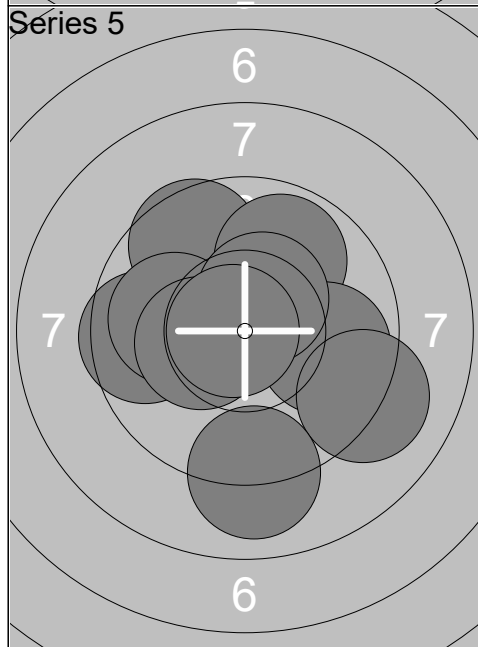
1: 10.1 ↓
2: 9.5 ↑
3: 9.9 ←
4: 9.3 ↓
5: 10.1 ↑
6: 10.3x →
7: 9.5 ↗
8: 9.6 ↑
9: 10.2x ↗
10: 9.9 ←
Series 98.4
195.0



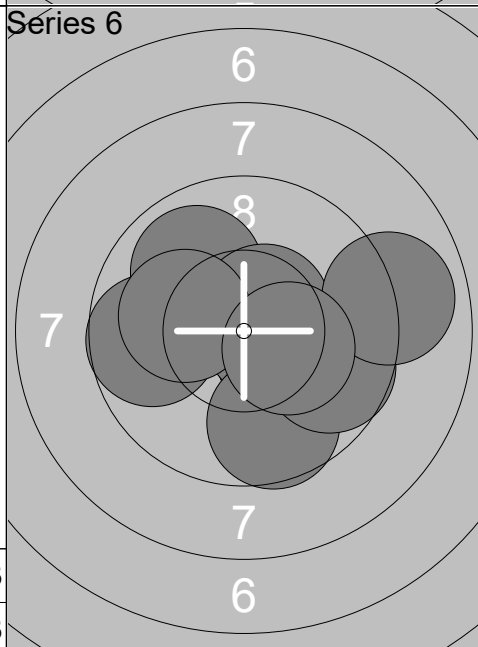
1: 9.9 ↓
2: 10.2x ↑
3: 9.8 →
4: 10.2x ↗
5: 9.3 ↑
6: 9.6 ↓
7: 10.3x ←
8: 10.1 ↑
9: 10.6x ↓
10: 9.3 →
Series 99.3
294.3



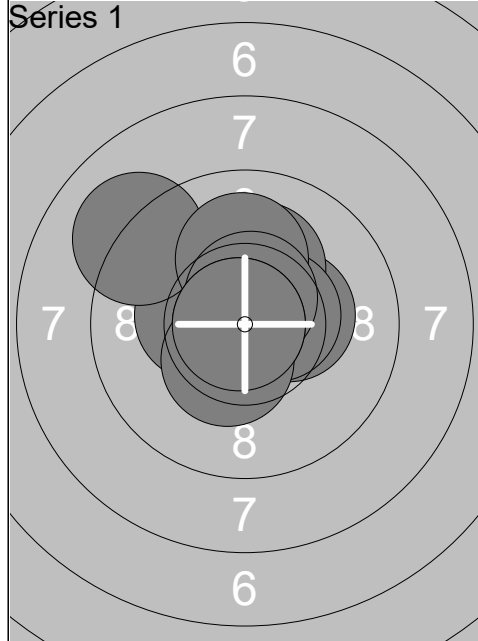
1: 9.8 ↑
2: 10.4x →
3: 9.6 ←
4: 9.5 →
5: 9.8 ↖
6: 10.2x ↗
7: 10.0 →
8: 10.2x ↖
9: 10.0 →
10: 9.2 ←
Series 98.7
393.0



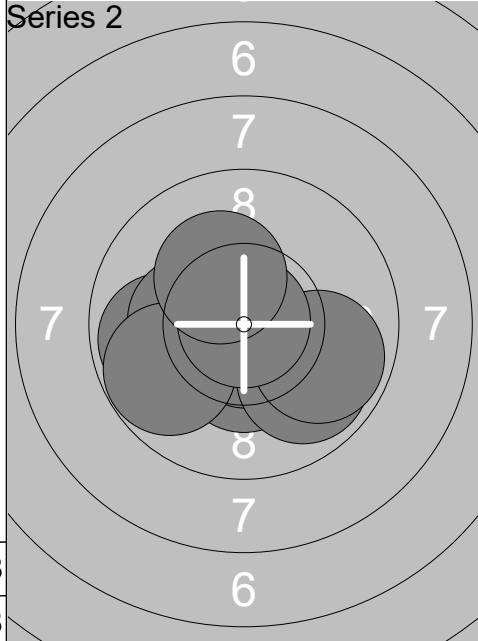
1: 9.6 ↗
2: 9.8 ↗
3: 9.8 →
4: 9.6 ←
5: 9.9 ←
6: 10.3x ←
7: 9.1 →
8: 10.4x ↗
9: 10.8x ←
10: 9.0 ↓
Series 98.3
491.3



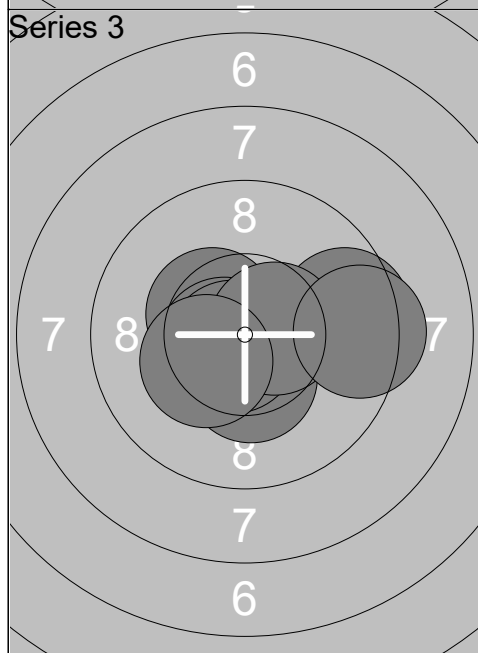
1: 9.9 ↗
2: 9.7 ←
3: 10.3x ↘
4: 10.6x →
5: 10.5x ↗
6: 9.6 ↓
7: 10.1 ←
8: 9.7 →
9: 8.9 →
10: 10.3x →
Series 99.6
590.9



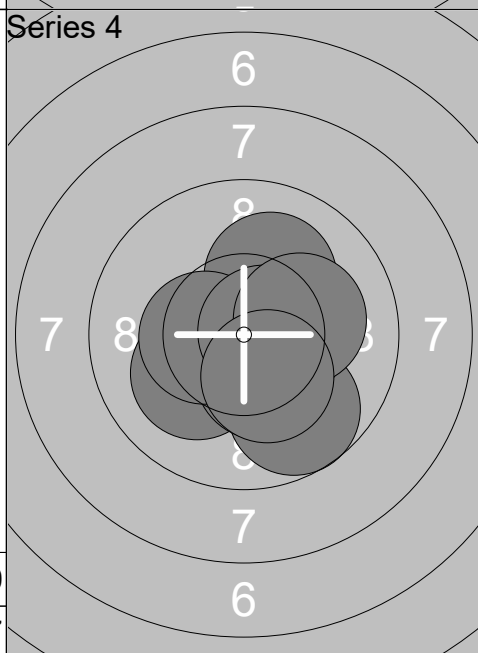
1:	10.3x ←
2:	10.3x →
3:	9.1 ↖
4:	10.1 ↑
5:	10.5x →
6:	10.0 ↑
7:	10.5x ↑
8:	10.8x ←
9:	10.4x ↙
10:	10.8x ←
Series	102.8
	102.8



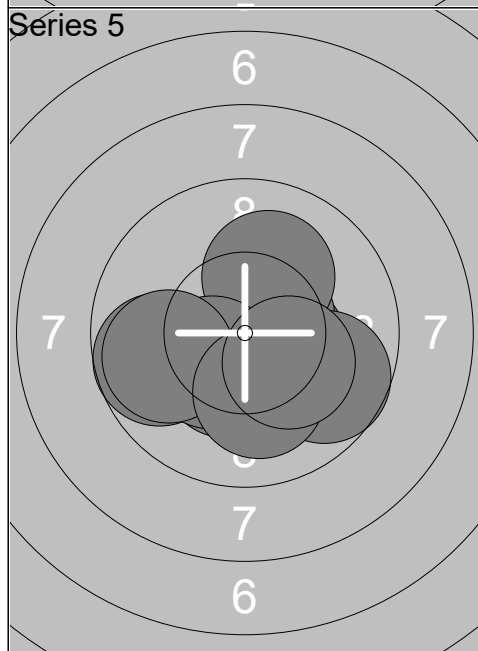
1:	10.4x ↓
2:	10.7x ↓
3:	9.8 ↘
4:	10.3x ←
5:	9.8 →
6:	9.8 ←
7:	10.3x ←
8:	9.7 ↖
9:	10.9x ↑
10:	10.2x ↗
Series	101.9
	204.7



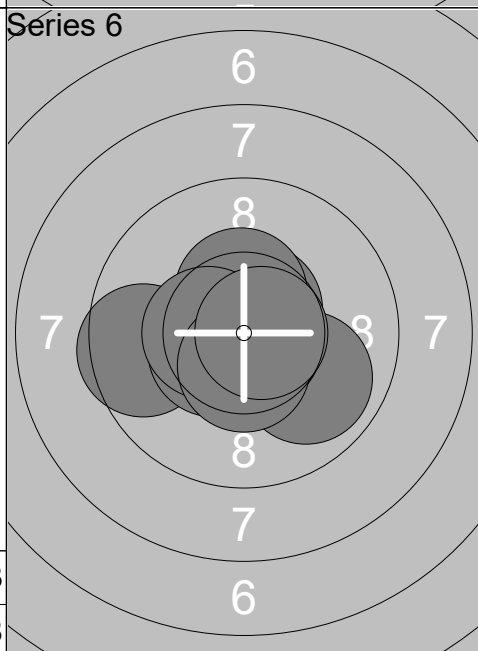
1:	10.5x ←
2:	10.7x ↙
3:	10.4x ↓
4:	10.4x ↖
5:	10.6x ←
6:	10.7x ↙
7:	9.5 →
8:	10.5x →
9:	9.4 →
10:	10.3x ↙
Series	103.0
	307.7



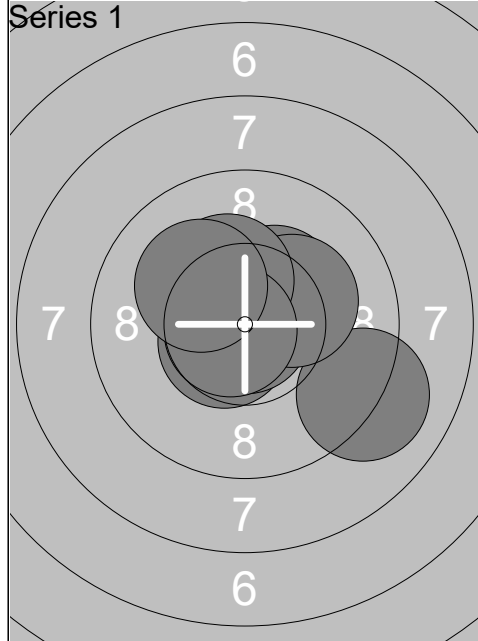
1:	10.1 ↖
2:	9.7 ↘
3:	10.6x ↗
4:	10.1 ↑
5:	10.4x ↓
6:	10.5x →
7:	10.4x ←
8:	10.6x →
9:	10.1 →
10:	10.3x ↘
Series	102.8
	410.5



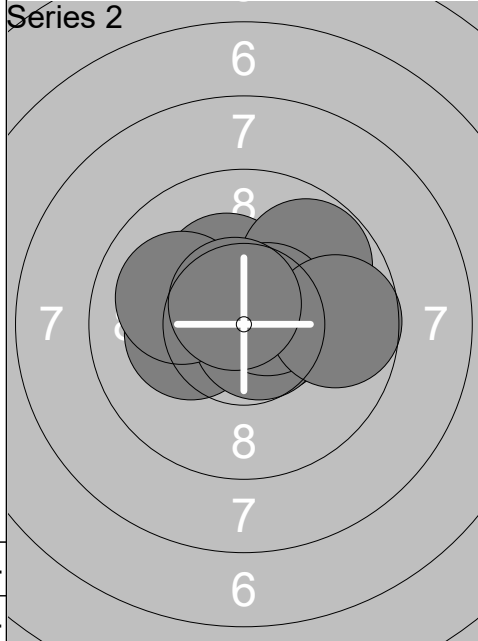
1:	10.4x →
2:	10.4x ↙
3:	10.6x ↗
4:	9.7 ↘
5:	10.1 ↑
6:	9.7 ←
7:	10.3x ↙
8:	9.8 ←
9:	10.1 ↓
10:	10.2x ↘
Series	101.3
	511.8



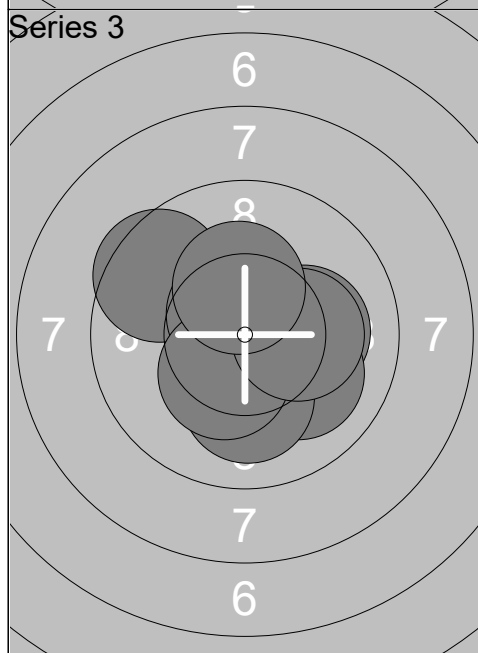
1:	9.5 ←
2:	9.9 ↘
3:	10.8x ↗
4:	10.6x ↗
5:	10.7x ↘
6:	10.5x ↙
7:	10.4x ↑
8:	10.5x ←
9:	10.5x ↓
10:	10.7x →
Series	104.1
	615.9



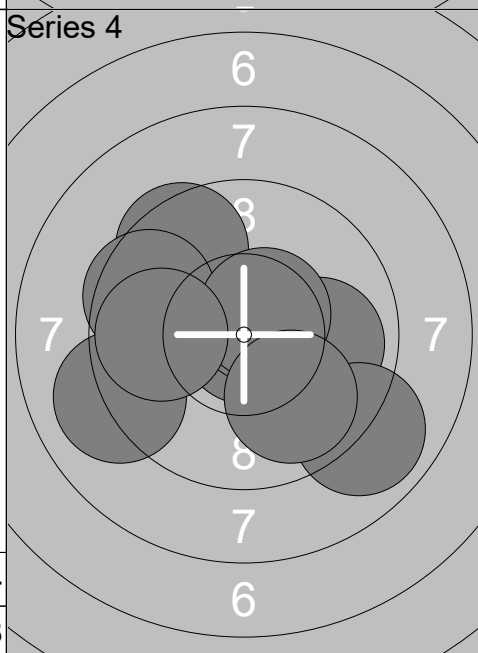
1:	9.1	↘
2:	10.3x	↗
3:	10.6x	↙
4:	10.7x	↖
5:	10.5x	↑
6:	10.9x	↓
7:	10.2x	↗
8:	10.3x	↖
9:	10.7x	↙
10:	10.1	↖
Series	103.4	
	103.4	



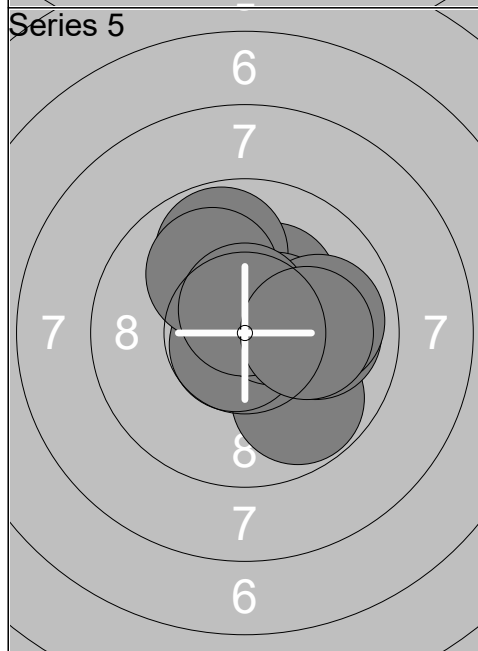
1:	10.6x	↗
2:	10.2x	↙
3:	10.6x	→
4:	10.3x	↖
5:	9.8	↗
6:	10.7x	↘
7:	10.0	↙
8:	10.5x	↗
9:	9.7	→
10:	10.6x	↖
Series	103.0	
	206.4	



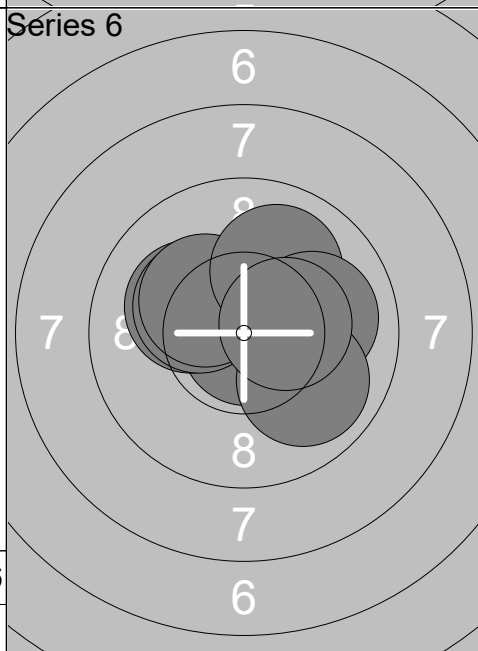
1:	10.6x	↙
2:	10.7x	↓
3:	10.1	→
4:	9.5	↖
5:	10.0	↘
6:	10.6x	↖
7:	10.1	↓
8:	10.3x	↙
9:	10.2x	→
10:	10.3x	↑
Series	102.4	
	308.8	



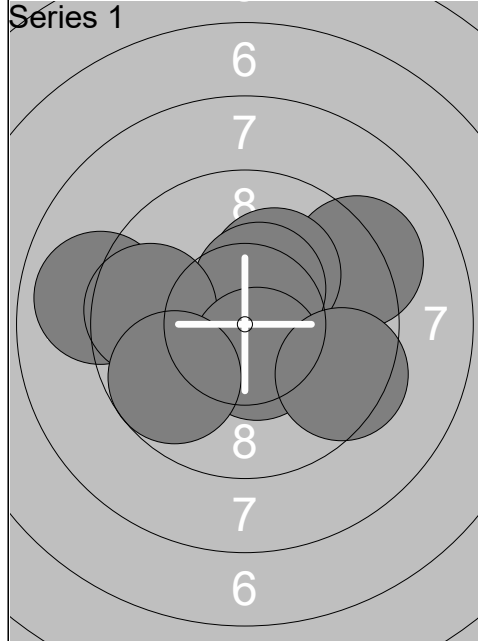
1:	10.9x	↘
2:	10.6x	↗
3:	9.9	→
4:	9.5	↖
5:	9.6	↙
6:	8.9	↘
7:	10.5x	↗
8:	9.1	↙
9:	9.8	↙
10:	9.9	↘
Series	98.7	
	407.5	



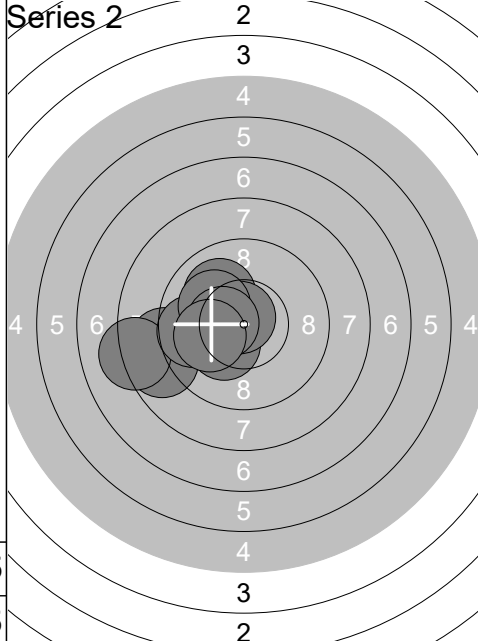
1:	9.8	↘
2:	10.2x	↗
3:	9.8	↑
4:	10.7x	↙
5:	10.0	→
6:	10.5x	↗
7:	9.9	→
8:	10.0	↖
9:	10.6x	↑
10:	10.1	→
Series	101.6	
	509.1	



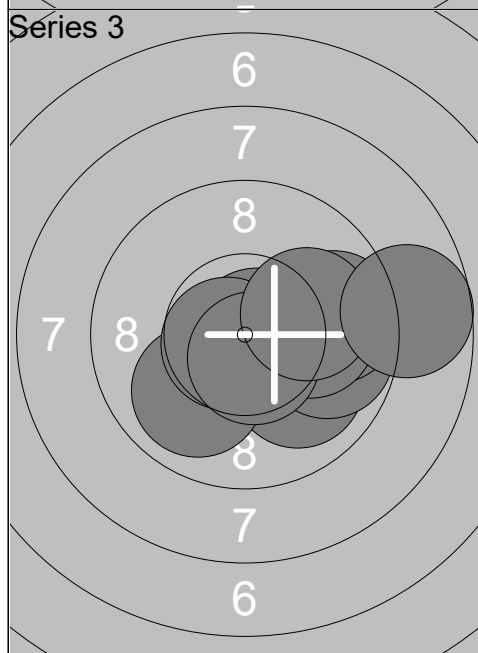
1:	10.8x	↘
2:	10.2x	→
3:	10.3x	↗
4:	10.1	↙
5:	10.2x	↖
6:	10.2x	↖
7:	10.0	↖
8:	10.0	→
9:	9.9	↘
10:	10.4x	→
Series	102.1	
	611.2	



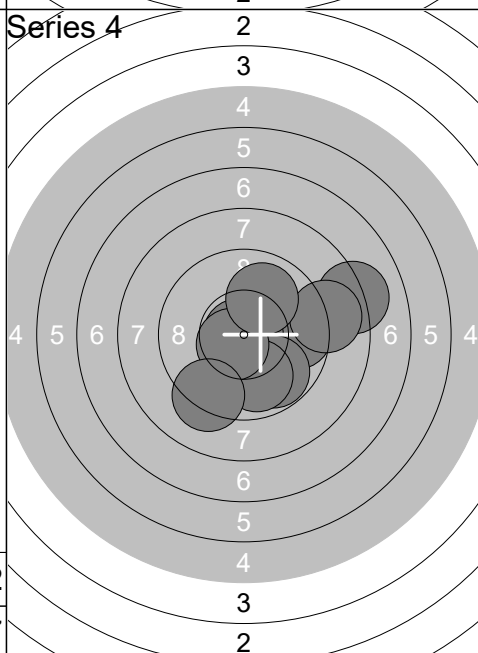
1:	10.2x ↗
2:	8.9 ←
3:	10.4x ↗
4:	9.2 →
5:	10.1 ↗
6:	10.4x ↗
7:	9.6 ←
8:	10.5x ↓
9:	9.7 ↙
10:	9.5 →
Series	98.5
	98.5



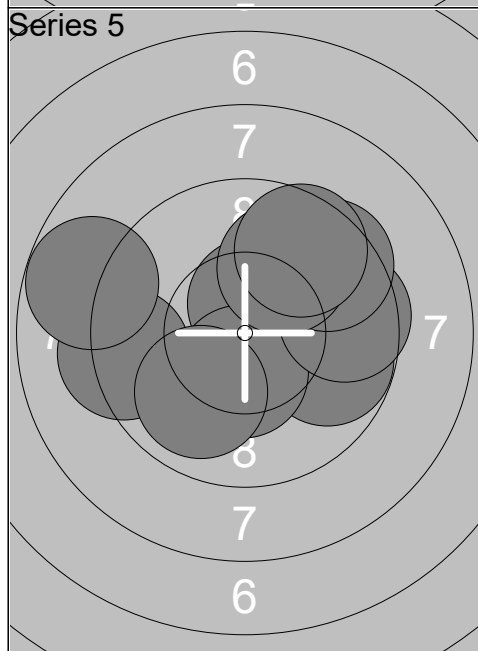
1:	10.0 ↖
2:	8.9 ←
3:	10.3x ↙
4:	8.7 ←
5:	8.2 ←
6:	10.7x ↗
7:	9.7 ←
8:	10.1 ↖
9:	10.4x ←
10:	10.0 ←
Series	97.0
	195.5



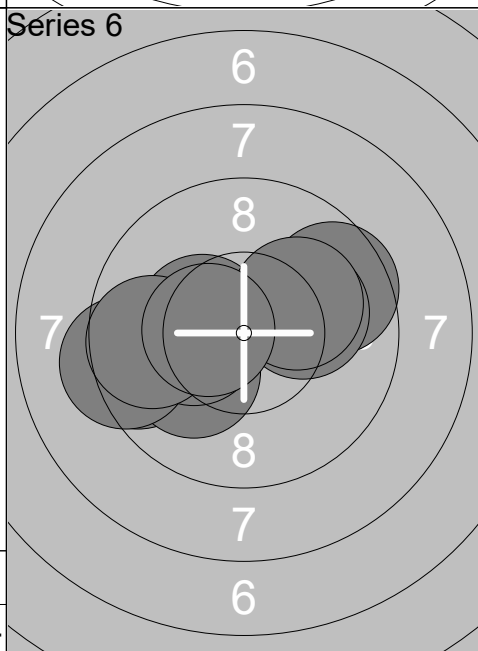
1:	10.0 ↘
2:	9.9 ↘
3:	10.8x →
4:	9.8 →
5:	9.7 →
6:	10.1 →
7:	10.6x ←
8:	10.6x ↓
9:	10.0 →
10:	8.7 →
Series	100.2
	295.7



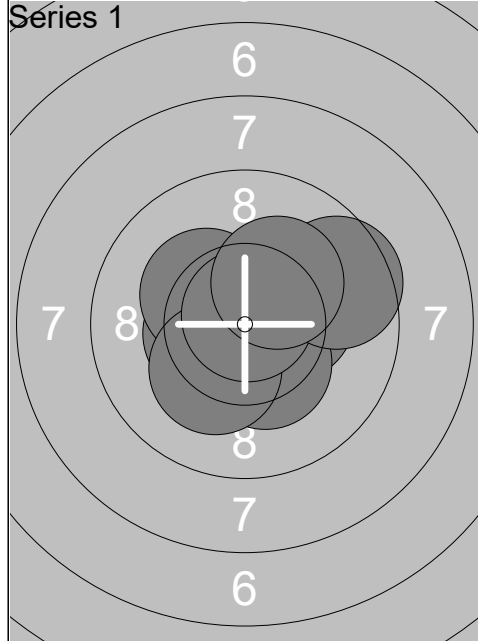
1:	9.6 →
2:	10.8x →
3:	10.8x ←
4:	9.8 ↓
5:	9.9 ↓
6:	10.6x ↙
7:	8.1 →
8:	8.9 →
9:	9.9 ↗
10:	9.2 ↓
Series	97.6
	393.3



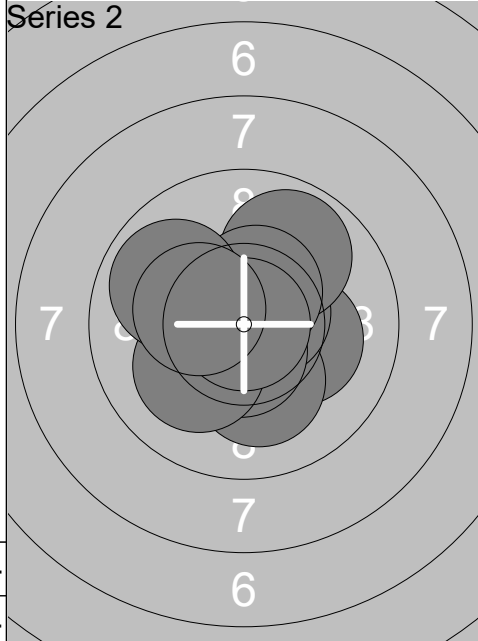
1:	9.7 →
2:	10.5x ↗
3:	9.3 ←
4:	10.4x ↓
5:	9.6 →
6:	8.7 ←
7:	9.5 ↗
8:	9.9 ↗
9:	9.6 ↗
10:	9.9 ↓
Series	97.1
	490.4



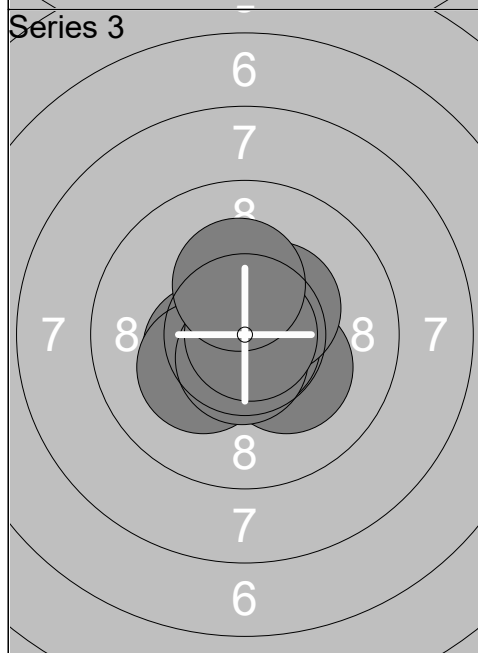
1:	9.4 ←
2:	9.6 →
3:	10.1 →
4:	10.1 ↙
5:	9.3 ←
6:	10.2x ←
7:	10.3x ←
8:	9.7 ←
9:	10.1 →
10:	10.4x ←
Series	99.2
	589.6



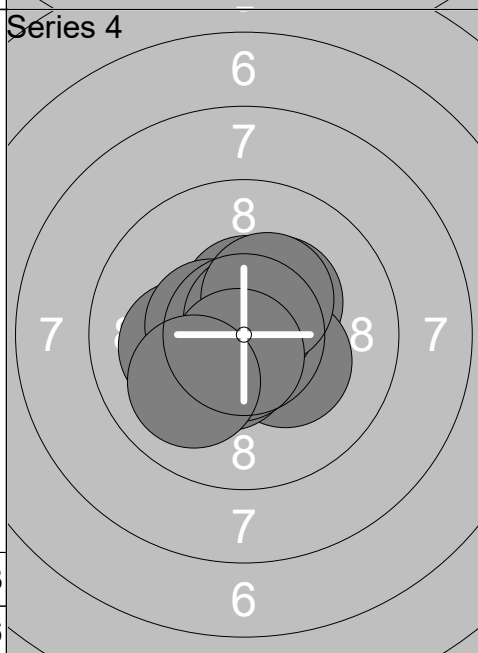
1:	10.3x →
2:	10.5x ←
3:	10.7x ↗
4:	10.5x ↘
5:	10.3x ↖
6:	10.3x ↘
7:	10.2x ↘
8:	10.8x ↑
9:	9.6 →
10:	10.2x ↗
Series	103.4
	103.4



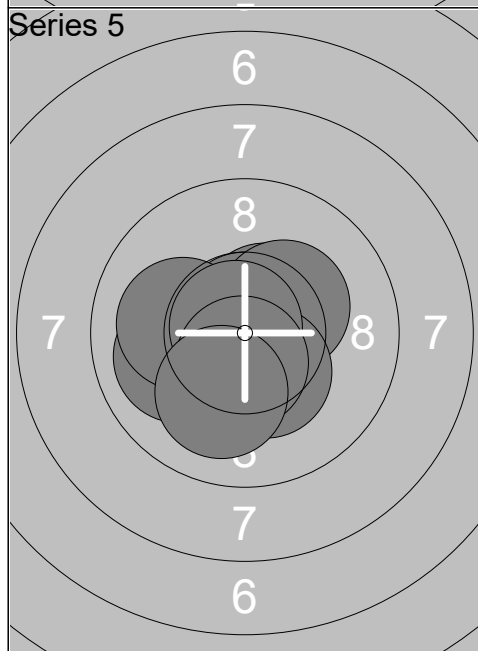
1:	10.2x →
2:	10.1 ↓
3:	10.6x ↗
4:	10.6x ↓
5:	9.8 ↗
6:	10.4x ↑
7:	10.1 ↙
8:	10.9x
9:	9.9 ↖
10:	10.3x ←
Series	102.9
	206.3



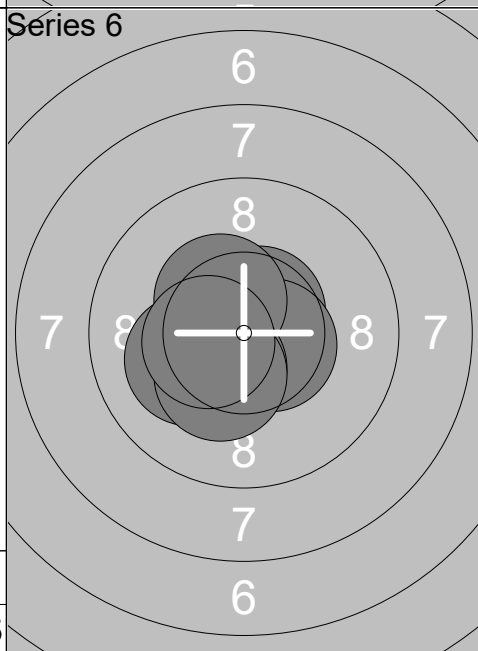
1:	10.8x ↘
2:	10.2x ↘
3:	10.4x ←
4:	10.8x ↖
5:	10.8x ↘
6:	10.4x ↗
7:	10.2x ↙
8:	10.6x ↓
9:	10.8x →
10:	10.3x ↑
Series	105.3
	311.6



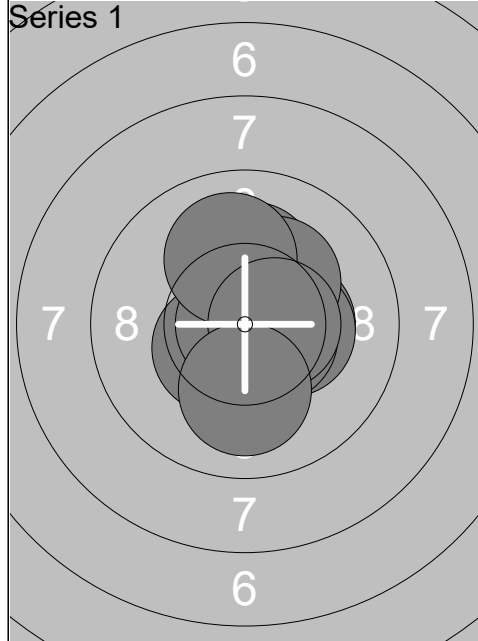
1:	10.3x ↗
2:	10.1 ←
3:	10.5x ↑
4:	10.2x ↘
5:	10.5x ↘
6:	10.5x ←
7:	10.7x ↑
8:	10.3x ↗
9:	10.7x ↓
10:	10.0 ↙
Series	103.8
	415.4



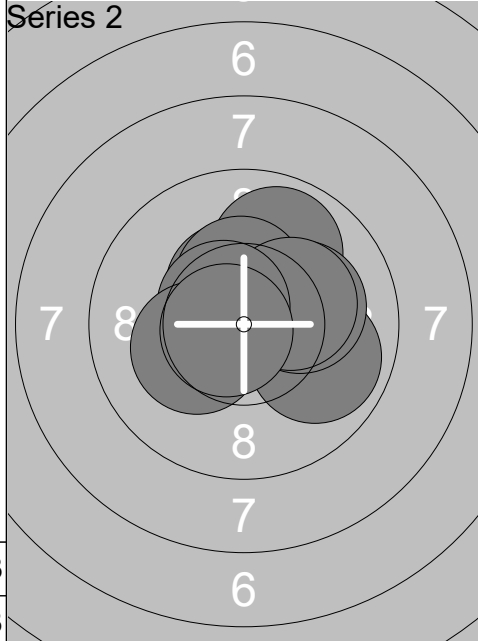
1:	10.5x ↗
2:	10.7x ↑
3:	10.8x ↓
4:	10.0 ←
5:	10.1 ←
6:	10.3x ↗
7:	10.3x ↘
8:	10.8x ↖
9:	10.5x ↓
10:	10.1 ↓
Series	104.1
	519.5



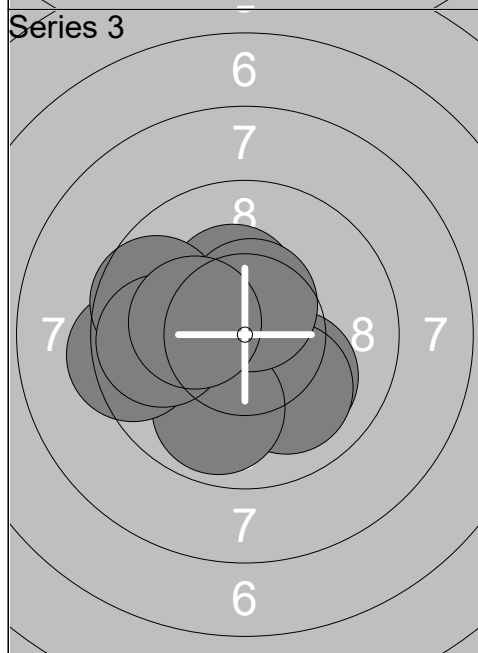
1:	10.7x ↗
2:	10.5x ↓
3:	10.1 ←
4:	10.6x ←
5:	10.6x ↗
6:	10.5x →
7:	10.4x ↖
8:	10.4x ↘
9:	10.3x ↘
10:	10.4x ←
Series	104.5
	624.0



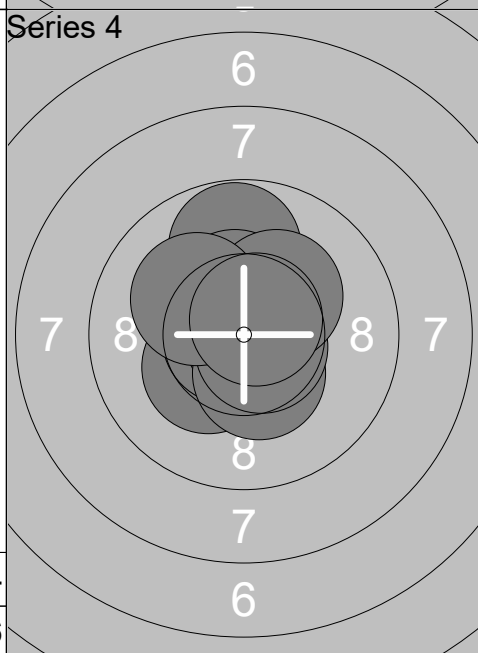
1:	10.4x ↙
2:	10.3x →
3:	10.3x →
4:	10.2x ↑
5:	10.2x ↗
6:	10.5x ➤
7:	10.9x ←
8:	10.0 ↑
9:	10.5x →
10:	10.0 ↓
Series	103.3
	103.3



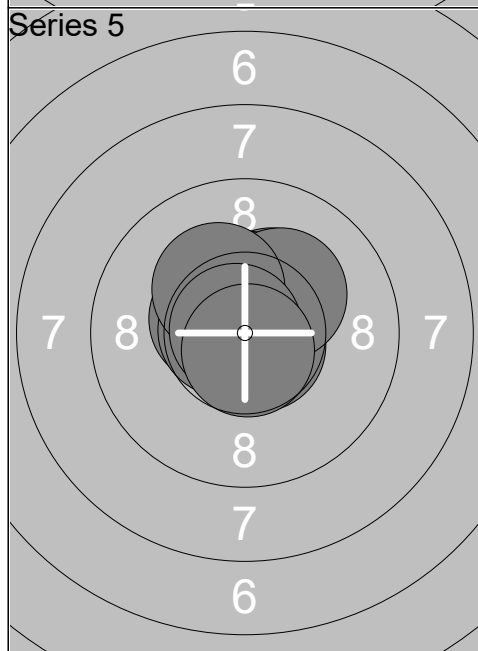
1:	9.9 ↗
2:	10.5x ↗
3:	9.9 ➤
4:	10.1 ➔
5:	10.4x ↑
6:	10.4x ↑
7:	10.2x ➔
8:	10.6x ↙
9:	10.2x ↙
10:	10.7x ←
Series	102.9
	206.2



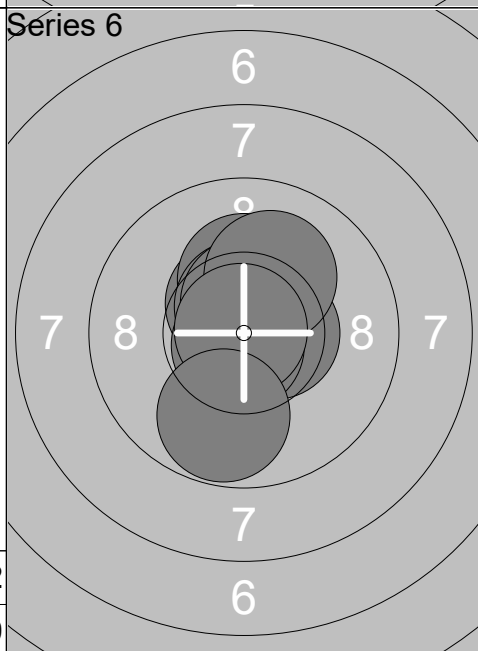
1:	10.5x ↑
2:	10.1 ➤
3:	10.0 ➤
4:	9.9 ↓
5:	10.3x ↑
6:	9.4 ←
7:	9.7 ←
8:	10.5x ↑
9:	9.8 ←
10:	10.2x ←
Series	100.4
	306.6



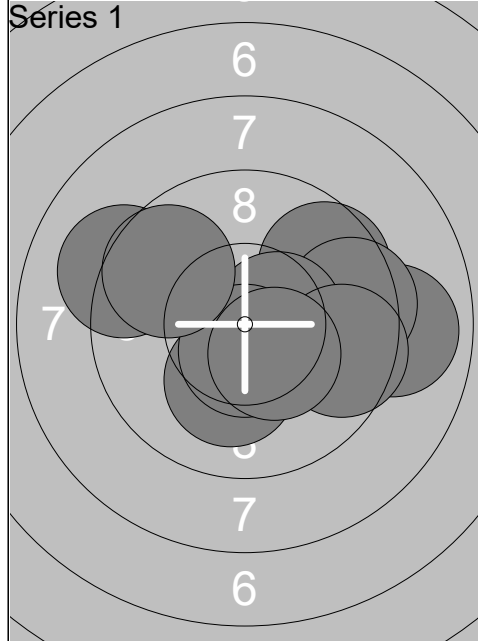
1:	10.3x ↙
2:	10.7x ←
3:	9.8 ↑
4:	10.8x ➔
5:	10.4x ↓
6:	10.7x ➤
7:	10.4x ↑
8:	10.2x ↗
9:	10.1 ↙
10:	10.7x ↗
Series	104.1
	410.7



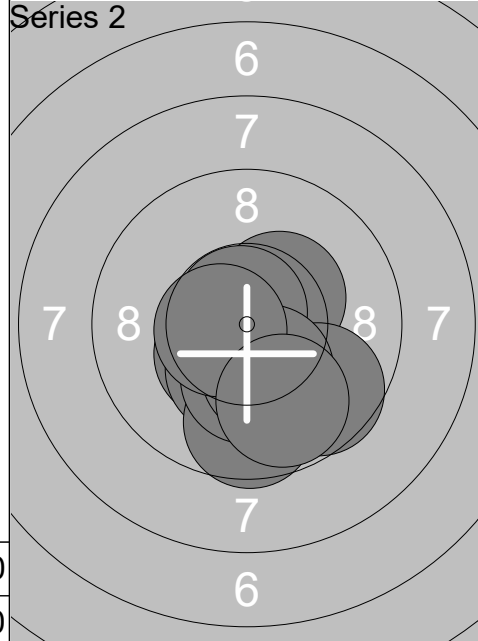
1:	10.5x ↙
2:	10.3x ↗
3:	10.8x ↙
4:	10.4x ↑
5:	10.6x ←
6:	10.7x ➤
7:	10.2x ↗
8:	10.2x ↙
9:	10.8x ←
10:	10.7x ↓
Series	105.2
	515.9



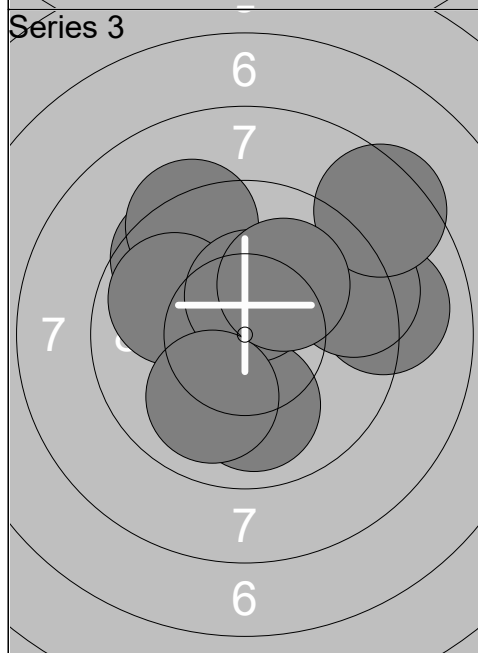
1:	10.7x ↗
2:	10.5x ➔
3:	10.5x ↙
4:	10.7x ↓
5:	10.2x ↑
6:	10.6x ↑
7:	10.5x ↑
8:	10.1 ↗
9:	10.9x ↙
10:	9.8 ↓
Series	104.5
	620.4



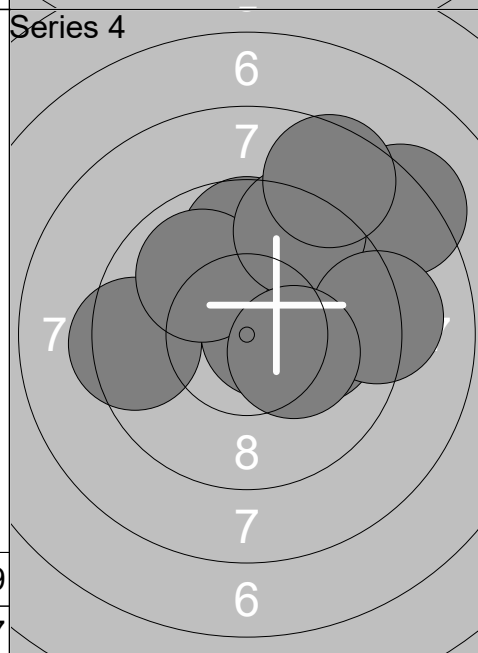
1:	9.1	↖
2:	9.6	↗
3:	8.9	→
4:	9.4	→
5:	10.5x	→
6:	9.6	→
7:	10.2x	↓
8:	10.6x	↓
9:	9.7	↖
10:	10.4x	↘
Series		98.0
		98.0



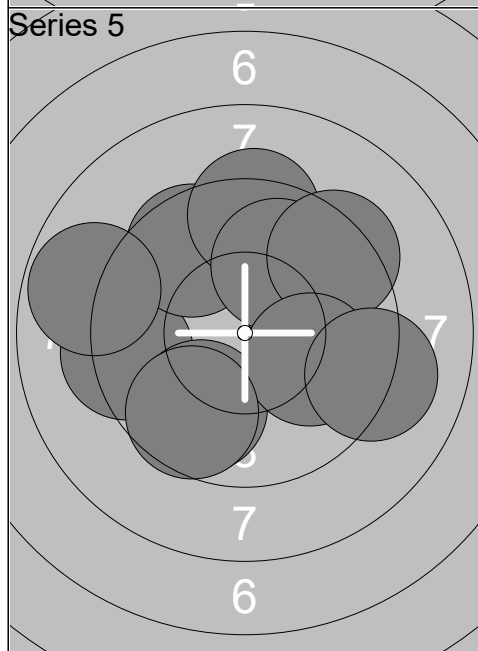
1:	10.4x	↗
2:	9.6	↘
3:	10.8x	↖
4:	10.4x	↙
5:	10.3x	↓
6:	9.6	↓
7:	10.2x	↓
8:	10.2x	↓
9:	10.5x	↖
10:	9.8	↘
Series		101.8
		199.8



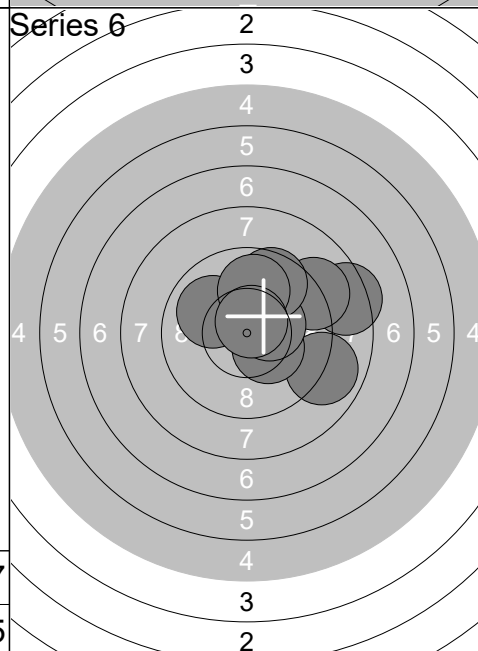
1:	10.0	↓
2:	9.0	→
3:	9.3	↗
4:	9.5	↗
5:	8.4	↗
6:	9.3	↗
7:	9.9	↖
8:	10.4x	↑
9:	10.0	↓
10:	10.1	↗
Series		95.9
		295.7



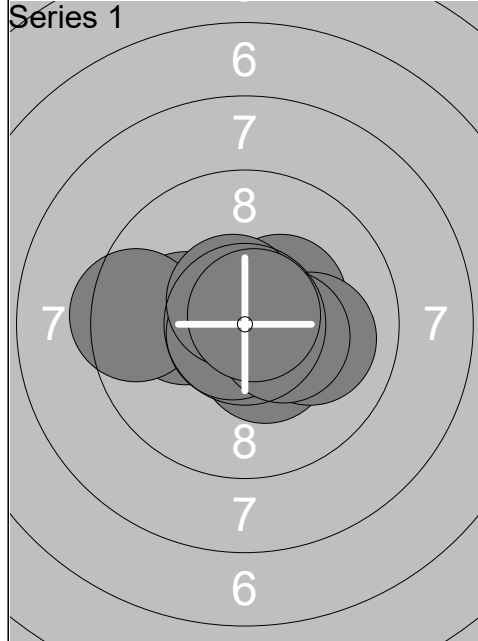
1:	10.6x	→
2:	10.0	→
3:	9.4	←
4:	9.7	↑
5:	8.2	↗
6:	9.9	↖
7:	9.4	↗
8:	8.5	↗
9:	9.2	→
10:	10.2x	→
Series		95.1
		390.8



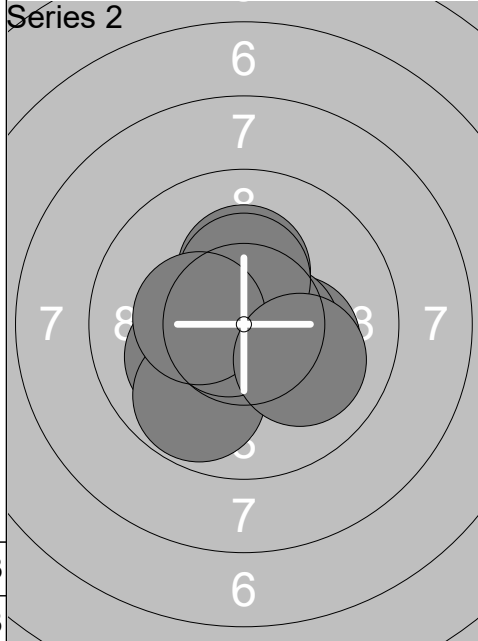
1:	9.3	←
2:	9.8	↘
3:	9.6	↖
4:	8.8	←
5:	9.3	↑
6:	9.9	↗
7:	9.3	↗
8:	10.0	→
9:	9.1	→
10:	9.6	↘
Series		94.7
		485.5



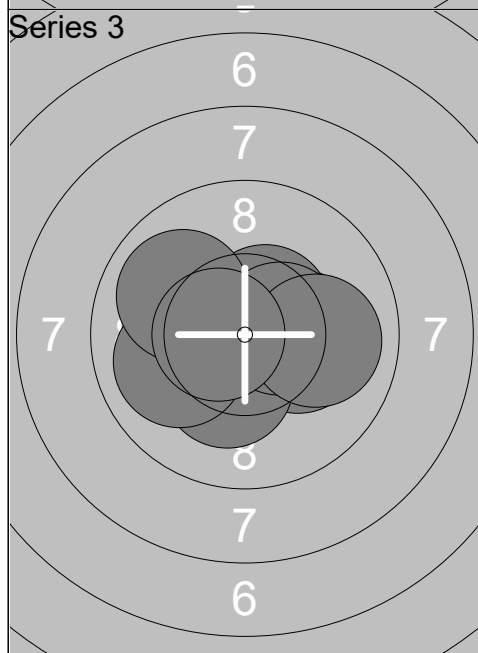
1:	8.3	↗
2:	8.9	→
3:	9.9	↗
4:	10.3x	↘
5:	9.0	↗
6:	10.3x	→
7:	9.6	↗
8:	9.9	↖
9:	9.9	↑
10:	10.6x	↗
Series		96.7
		582.2



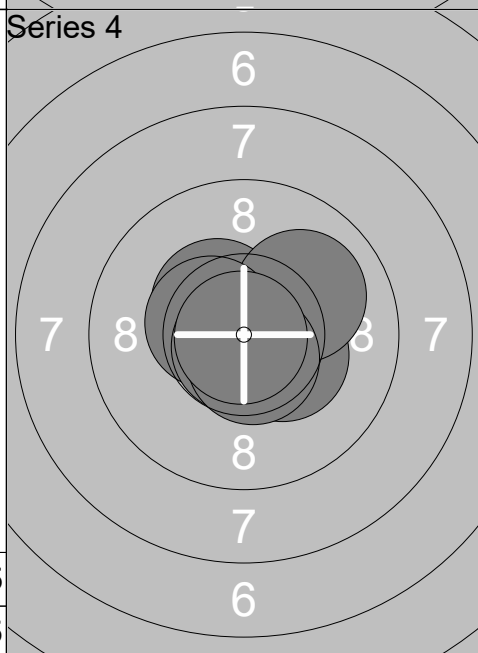
1:	10.4x ↘
2:	10.1 ←
3:	9.4 ←
4:	10.7x ↙
5:	10.7x ↗
6:	10.3x ↗
7:	10.0 →
8:	10.6x ↖
9:	10.4x →
10:	10.7x ↗
Series	103.3
	103.3



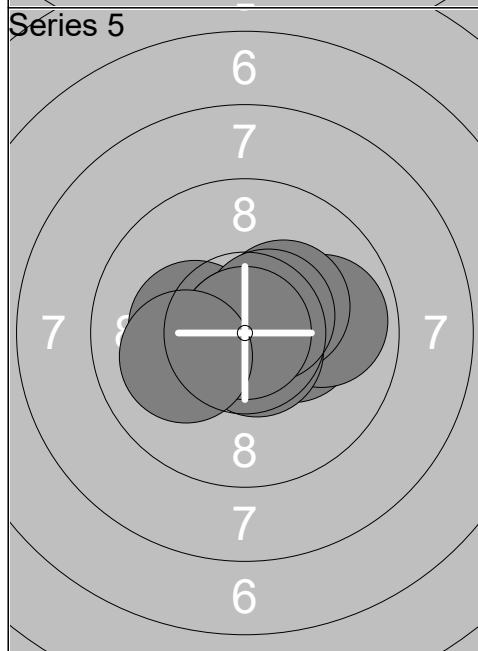
1:	10.1 ↙
2:	10.2x ↑
3:	10.6x →
4:	10.2x →
5:	10.5x →
6:	9.8 ↘
7:	10.7x ↙
8:	10.3x ↑
9:	10.3x ↙
10:	10.0 ↘
Series	102.7
	206.0



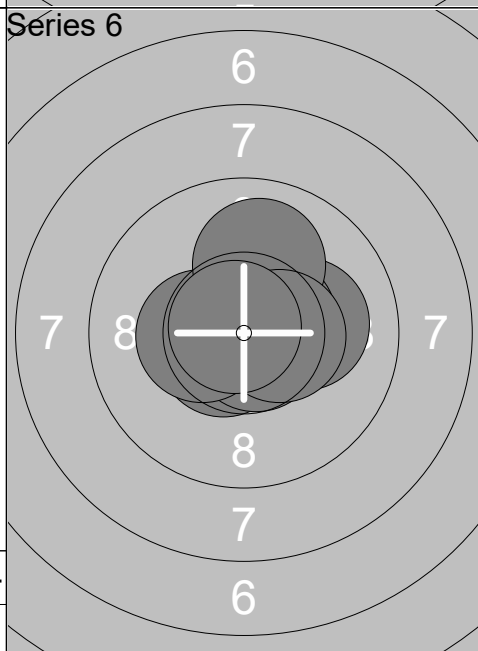
1:	10.3x →
2:	10.5x ↗
3:	10.2x →
4:	10.3x →
5:	10.2x ↘
6:	10.0 ←
7:	10.4x →
8:	10.0 ↖
9:	10.0 →
10:	10.6x ↙
Series	102.5
	308.5



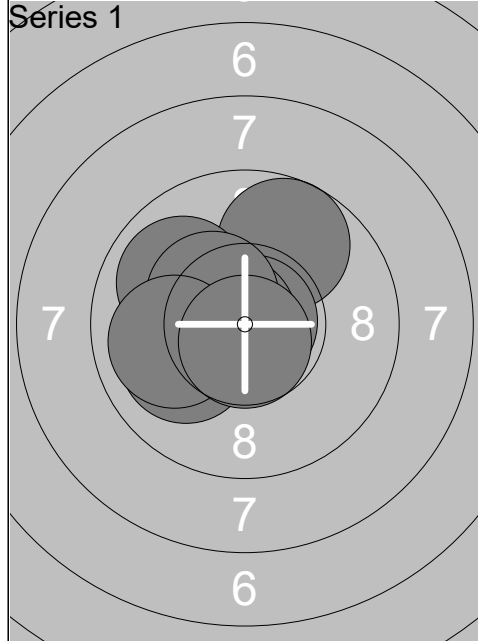
1:	10.3x →
2:	10.5x ↗
3:	10.6x ↙
4:	10.4x ↖
5:	10.8x ↙
6:	10.0 ↗
7:	10.4x ↙
8:	10.7x ↘
9:	10.6x ↘
10:	10.9x ↙
Series	105.2
	413.7



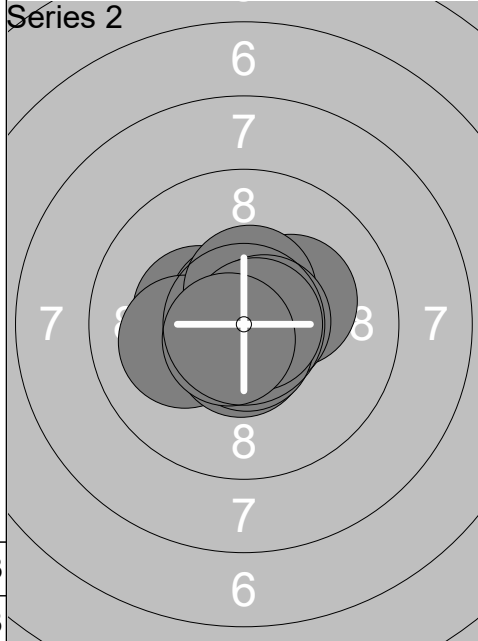
1:	10.2x ↙
2:	10.9x
3:	10.3x →
4:	10.7x →
5:	9.9 →
6:	10.3x ↗
7:	10.6x ↘
8:	10.5x ↗
9:	10.9x
10:	10.1 ←
Series	104.4
	518.1



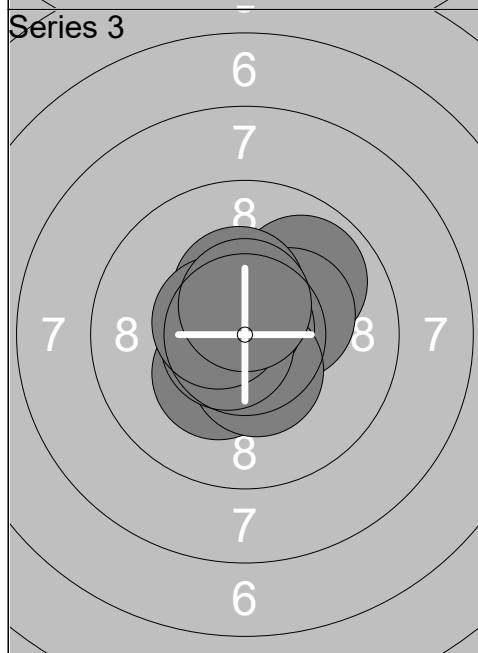
1:	10.6x ↙
2:	10.8x ↙
3:	10.7x ↘
4:	10.5x →
5:	10.1 →
6:	10.5x →
7:	10.4x ↙
8:	10.0 ↑
9:	10.5x →
10:	10.8x ↙
Series	104.9
	623.0



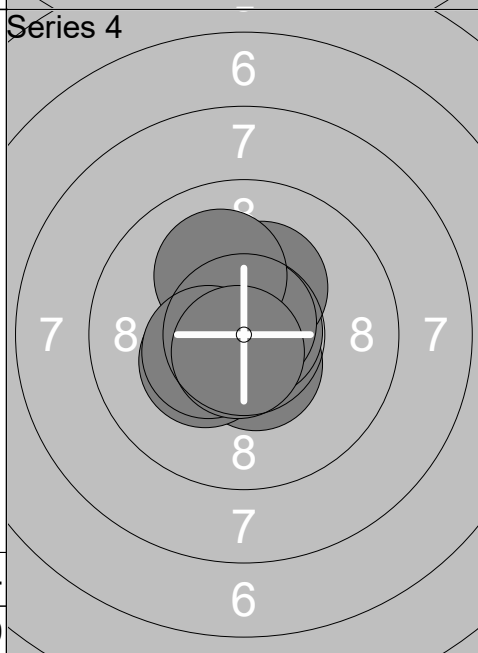
1:	10.3x ↘
2:	9.7 ↗
3:	10.0 ↖
4:	10.8x ↗
5:	10.7x ↙
6:	9.9 ↖
7:	10.3x ↘
8:	10.0 ↖
9:	9.9 ↖
10:	10.7x ↓
Series	102.3
	102.3



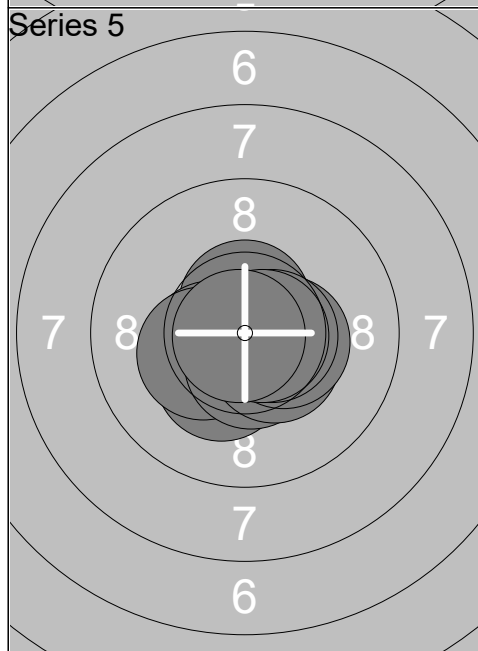
1:	10.3x ↙
2:	10.7x ↘
3:	10.1 ↖
4:	10.2x ↗
5:	10.5x ↗
6:	10.7x →
7:	10.6x ↓
8:	10.7x ↓
9:	10.8x →
10:	10.6x ↙
Series	105.2
	207.5



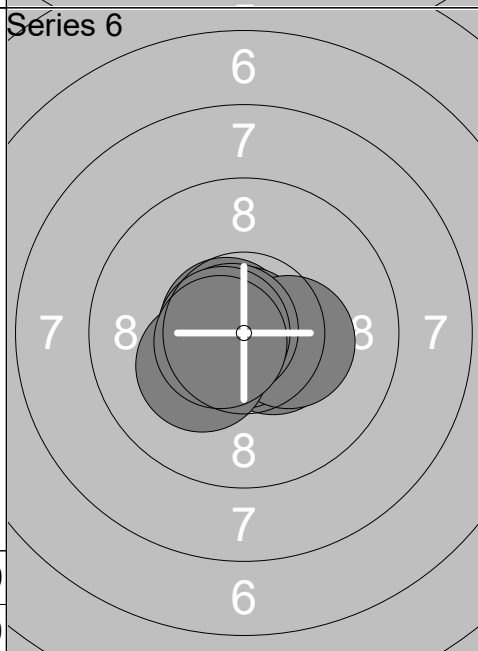
1:	9.9 ↗
2:	10.2x ↗
3:	10.8x ↗
4:	10.3x ↙
5:	10.4x ↓
6:	10.4x ↗
7:	10.7x ↘
8:	10.6x ↙
9:	10.6x ↙
10:	10.5x ↗
Series	104.4
	311.9



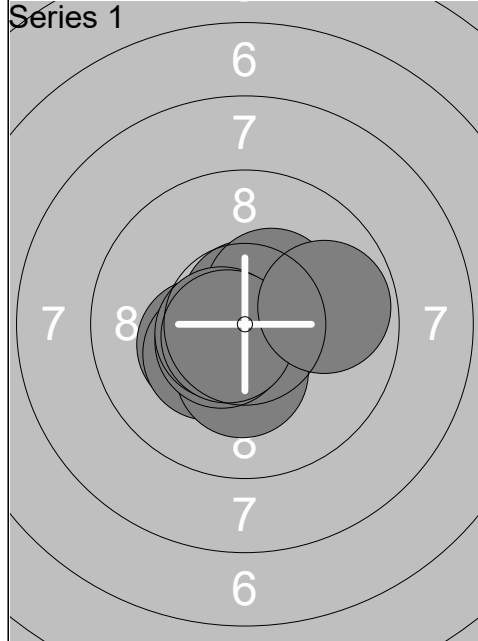
1:	10.7x ↘
2:	10.5x ↓
3:	10.5x ↗
4:	10.8x →
5:	10.3x ↗
6:	10.8x ↗
7:	10.1 ↗
8:	10.3x ↙
9:	10.4x ↙
10:	10.7x ↓
Series	105.1
	417.0



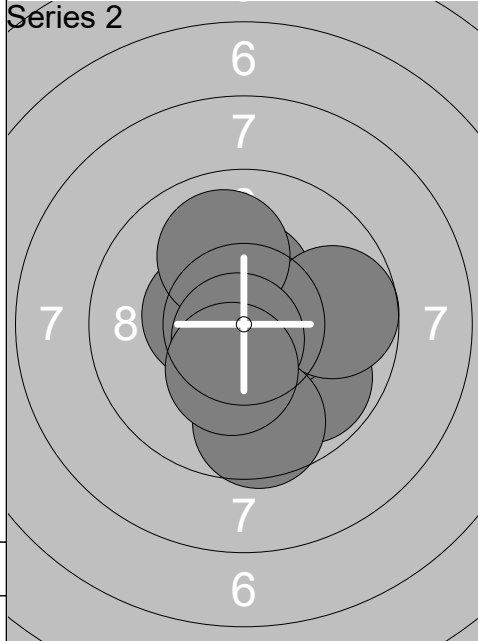
1:	10.6x ↗
2:	10.4x ↙
3:	10.3x ↙
4:	10.3x ↙
5:	10.5x ↓
6:	10.4x ↘
7:	10.4x →
8:	10.6x →
9:	10.7x →
10:	10.8x ↙
Series	105.0
	522.0



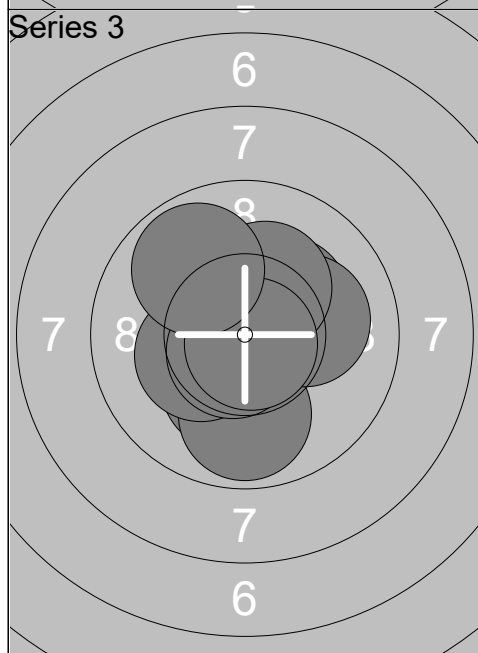
1:	10.7x ↘
2:	10.7x ↙
3:	10.5x ↘
4:	10.9x
5:	10.8x ↓
6:	10.3x →
7:	10.8x ↙
8:	10.7x ↙
9:	10.2x ↙
10:	10.6x ↙
Series	106.2
	628.2



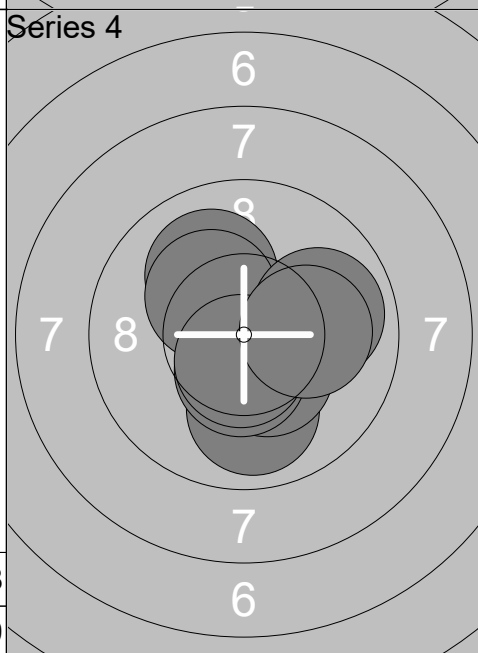
1:	10.6x ↗
2:	10.7x ↑
3:	10.3x ↙
4:	10.3x ↙
5:	10.3x ↓
6:	10.4x ↗
7:	10.5x ↙
8:	10.6x ↙
9:	10.6x ↙
10:	9.8 →
Series	104.1
	104.1



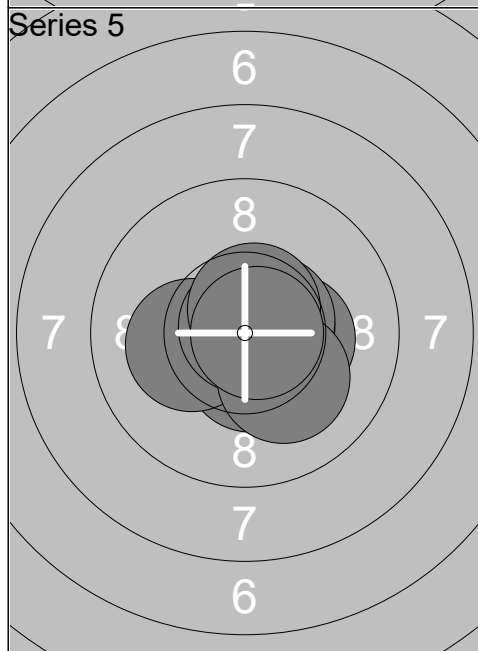
1:	10.6x ↘
2:	9.8 ↘
3:	10.5x →
4:	10.4x ↙
5:	10.4x ↑
6:	9.7 →
7:	10.0 ↑
8:	10.7x ↓
9:	9.6 ↓
10:	10.3x ↓
Series	102.0
	206.1



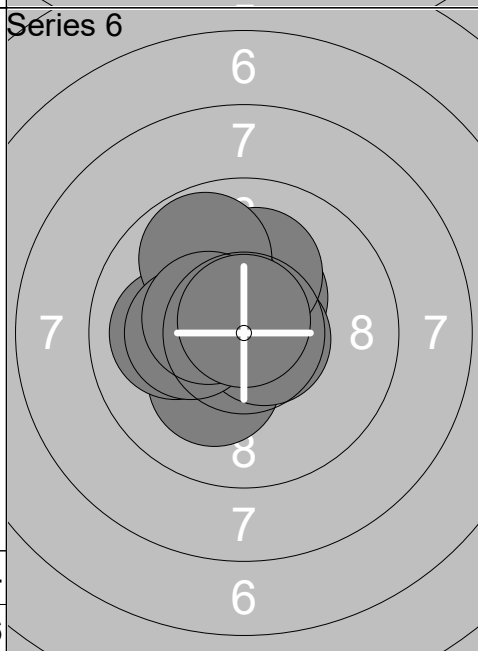
1:	10.2x ↗
2:	10.7x ↙
3:	10.2x ↓
4:	9.9 ↓
5:	10.1 →
6:	10.2x ↗
7:	10.3x ↙
8:	10.6x ↓
9:	10.8x ↘
10:	9.8 ↖
Series	102.8
	308.9



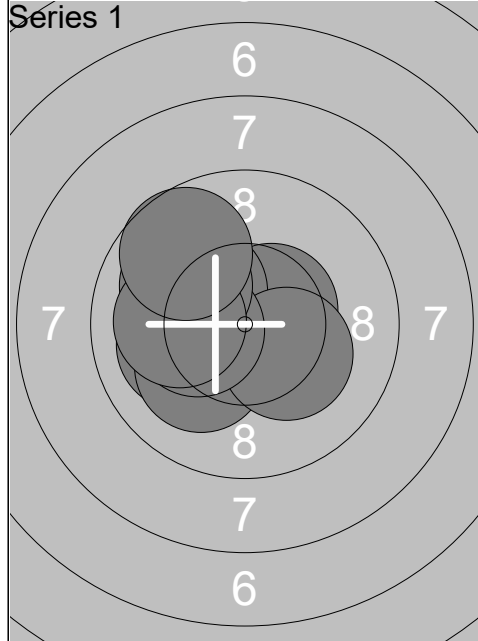
1:	10.0 ↖
2:	9.9 ↓
3:	10.9x ↓
4:	10.4x ↘
5:	10.5x ↓
6:	10.8x →
7:	10.2x ↖
8:	9.9 →
9:	10.6x ↓
10:	10.1 →
Series	103.3
	412.2



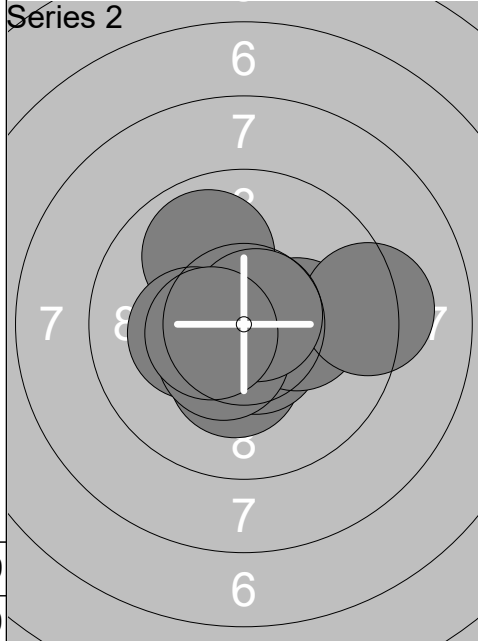
1:	10.3x →
2:	10.9x ↓
3:	10.5x ↓
4:	10.2x ↙
5:	10.8x ↑
6:	10.6x →
7:	10.6x →
8:	10.1 ↘
9:	10.6x ↑
10:	10.8x →
Series	105.4
	517.6



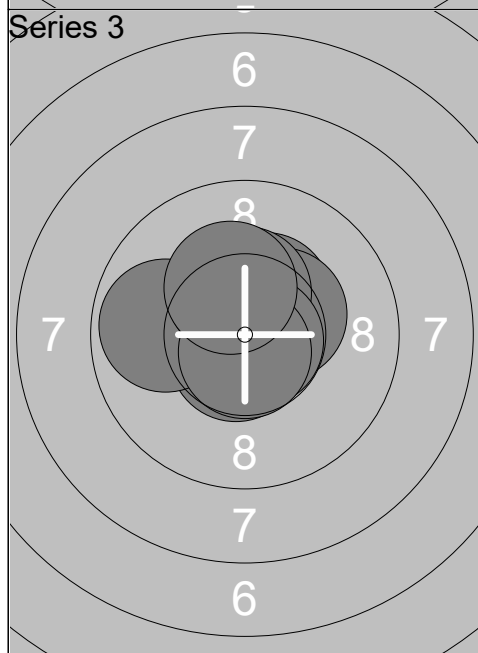
1:	10.2x ↘
2:	10.0 ←
3:	10.4x ↗
4:	10.6x →
5:	10.1 ↑
6:	10.3x ↖
7:	9.8 ↖
8:	10.2x ↙
9:	10.4x ↙
10:	10.8x ↑
Series	102.8
	620.4



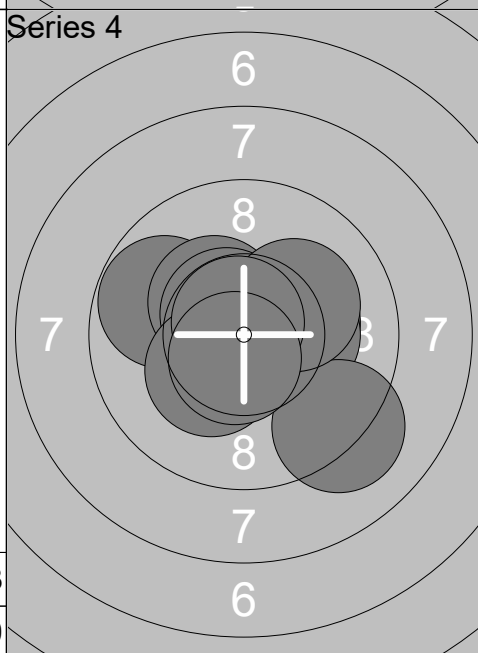
1:	10.1	←
2:	10.7x	↓
3:	10.1	↙
4:	10.5x	↗
5:	10.2x	↖
6:	10.2x	↘
7:	10.3x	←
8:	10.0	↖
9:	10.1	←
10:	9.7	↖
Series	101.9	
	101.9	



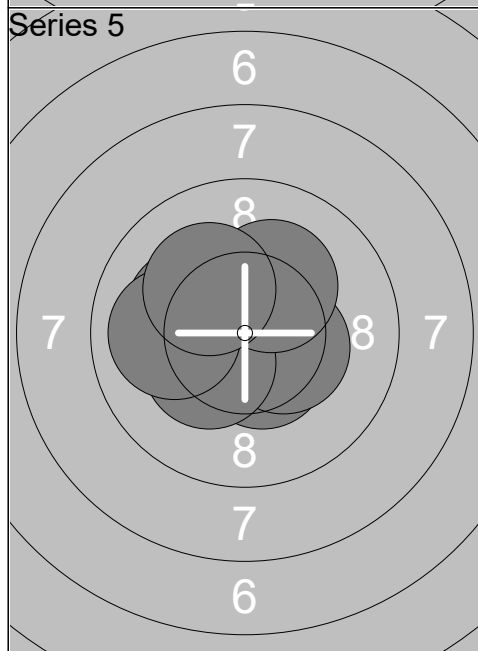
1:	9.9	↖
2:	10.3x	↓
3:	10.2x	←
4:	10.8x	↘
5:	10.6x	↓
6:	10.2x	→
7:	9.2	→
8:	10.4x	↙
9:	10.7x	↗
10:	10.5x	←
Series	102.8	
	204.7	



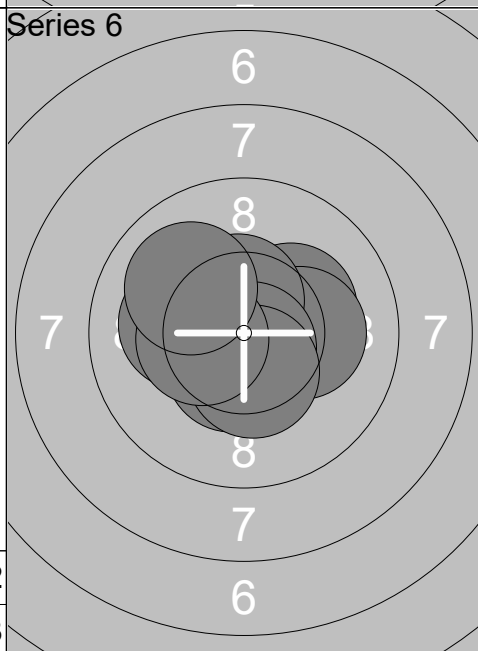
1:	10.4x	↗
2:	10.6x	↓
3:	9.8	←
4:	10.4x	↗
5:	10.3x	↖
6:	10.4x	↑
7:	10.8x	↘
8:	10.7x	↘
9:	10.7x	↓
10:	10.2x	↖
Series	104.3	
	309.0	



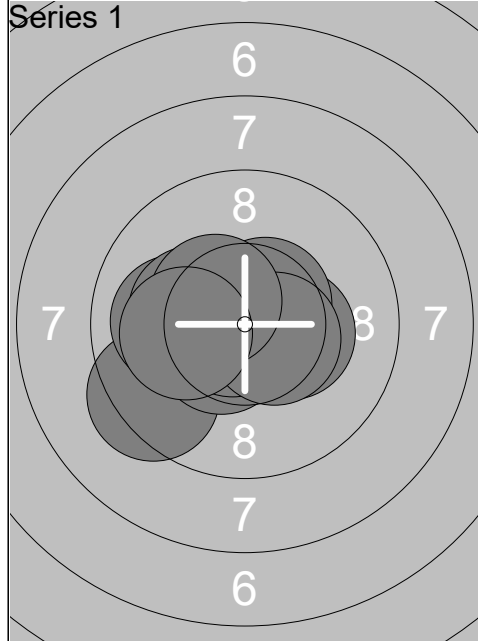
1:	9.8	←
2:	10.3x	↖
3:	10.2x	→
4:	10.3x	→
5:	9.1	↓
6:	10.6x	↖
7:	10.3x	↙
8:	10.1	↗
9:	10.8x	↖
10:	10.6x	↓
Series	102.1	
	411.1	



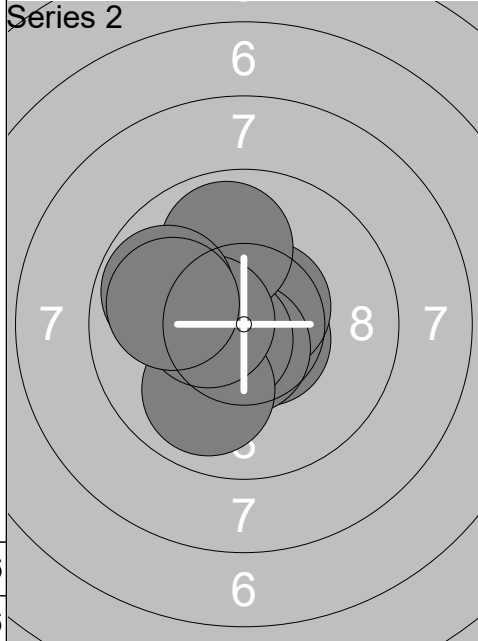
1:	10.6x	→
2:	10.6x	↘
3:	10.5x	↘
4:	10.4x	↘
5:	10.2x	↖
6:	10.2x	←
7:	10.3x	↙
8:	10.0	←
9:	10.2x	↗
10:	10.2x	↖
Series	103.2	
	514.3	



1:	10.4x	←
2:	10.2x	↗
3:	10.2x	→
4:	10.5x	↑
5:	10.7x	↓
6:	10.5x	↓
7:	10.1	←
8:	10.4x	↓
9:	10.4x	←
10:	10.0	↖
Series	103.4	
	617.7	

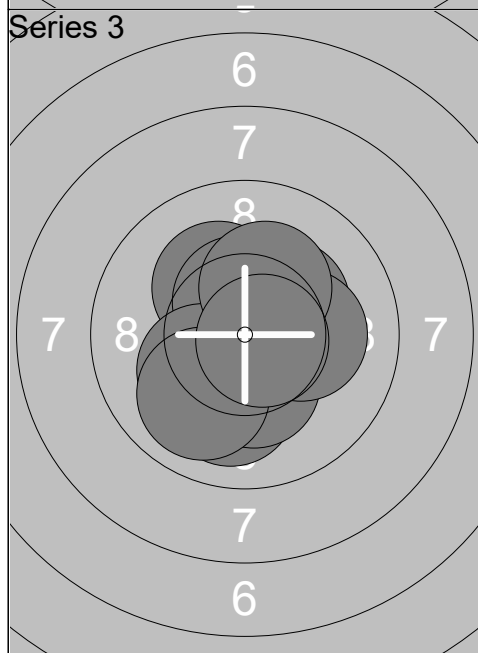


1:	10.6x ↘
2:	10.6x ↗
3:	10.5x ↖
4:	10.6x ↓
5:	10.6x ↙
6:	9.9 ↑
7:	9.9 ↓
8:	10.4x ↖
9:	9.8 ←
10:	9.9 ←
Series	102.8
	205.4



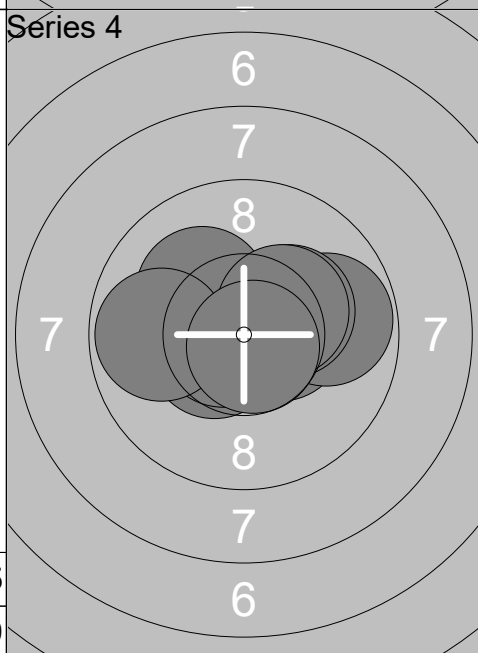
Series 4

1:	10.5x →
2:	10.5x ↙
3:	9.8 →
4:	10.2x ↗
5:	10.9x ↓
6:	10.7x ↖
7:	10.1 ↖
8:	9.8 ←
9:	10.3x ↗
10:	10.7x ↘
Series	103.5
	411.4



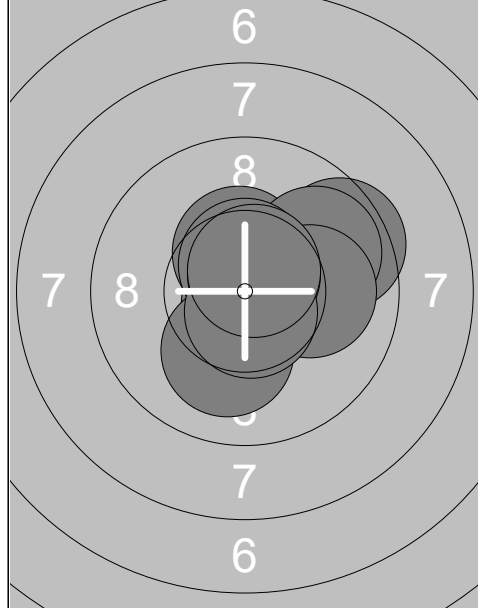
Series 6

1:	10.8x ↓
2:	10.0 ←
3:	10.7x ↘
4:	10.4x ↖
5:	10.4x ↓
6:	10.2x ↖
7:	10.7x ↑
8:	10.8x ↖
9:	10.2x →
10:	10.5x ↖
Series	104.7
	618.4

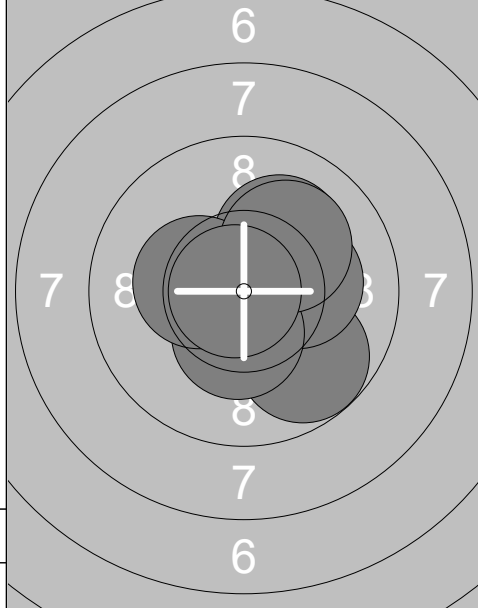


Series 6

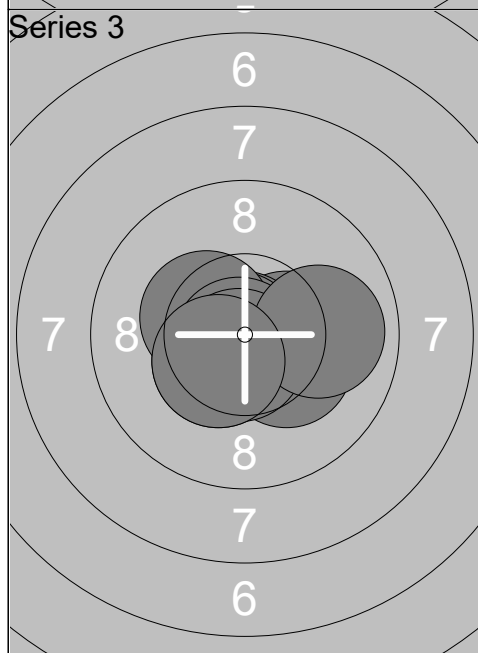
1:	10.8x ↓
2:	10.0 ←
3:	10.7x ↘
4:	10.4x ↖
5:	10.4x ↓
6:	10.2x ↖
7:	10.7x ↑
8:	10.8x ↖
9:	10.2x →
10:	10.5x ↖
Series	104.7
	618.4



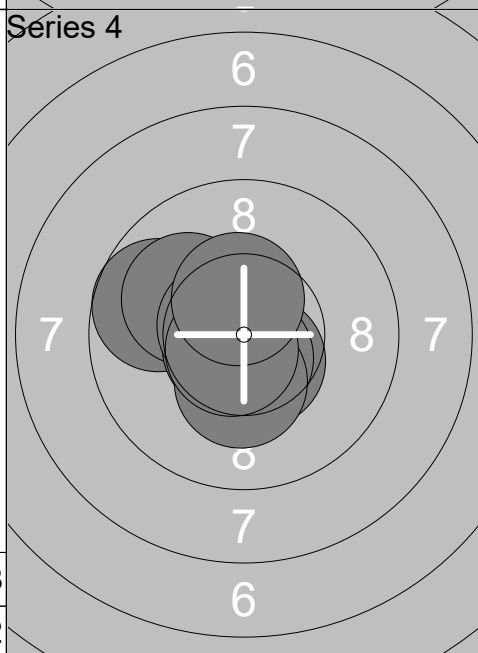
1:	10.4x ↑
2:	10.8x ↓
3:	9.5 ↗
4:	9.8 ↗
5:	10.1 ↓
6:	10.0 →
7:	10.6x ↑
8:	10.7x ↗
9:	10.6x ↓
10:	10.6x ↗
Series	103.1
	103.1



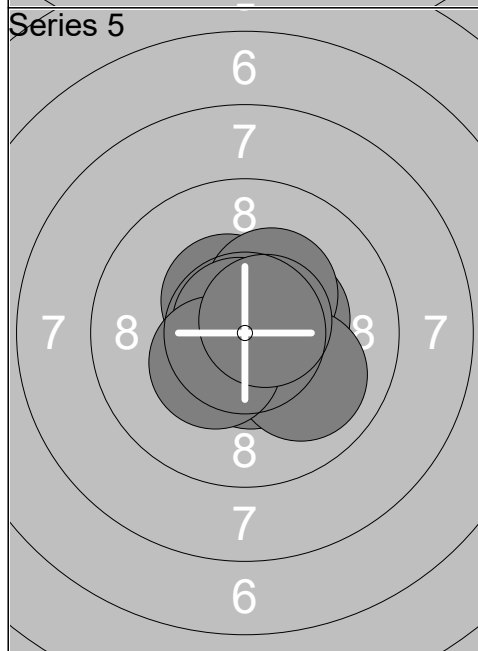
1:	10.1 ↗
2:	10.8x ↓
3:	9.7 ↘
4:	10.8x ↓
5:	10.1 ↗
6:	10.2x →
7:	10.4x ↓
8:	10.3x ←
9:	10.1 ↗
10:	10.8x ←
Series	103.3
	206.4



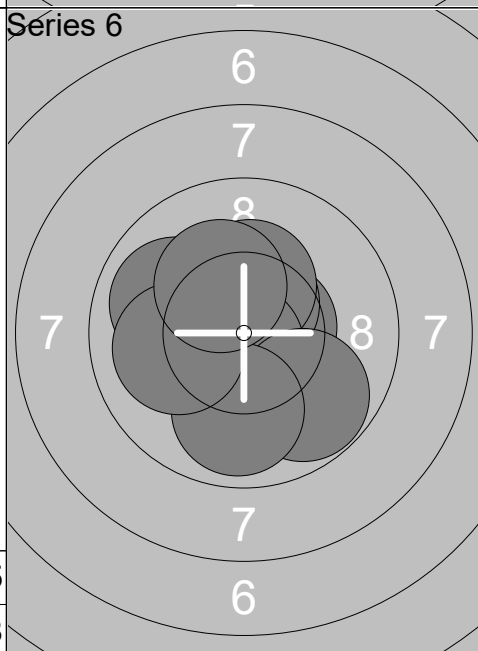
1:	10.4x →
2:	10.9x ↘
3:	10.4x ↘
4:	10.8x ←
5:	10.3x ←
6:	10.8x ↓
7:	10.3x ↘
8:	10.6x ↓
9:	9.9 →
10:	10.4x ↘
Series	104.8
	311.2



1:	9.7 ←
2:	10.0 ↖
3:	10.5x ↓
4:	10.7x ↘
5:	10.7x ↓
6:	10.6x ↓
7:	10.6x ←
8:	10.3x ↓
9:	10.6x ↘
10:	10.4x ↑
Series	104.1
	415.3



1:	10.4x ↘
2:	10.3x →
3:	10.3x ↗
4:	10.5x ↘
5:	10.7x →
6:	10.5x ↓
7:	10.8x ↗
8:	10.0 ↘
9:	10.4x ↘
10:	10.6x ↗
Series	104.5
	519.8



1:	10.5x →
2:	10.4x ↘
3:	9.9 ←
4:	10.5x ↑
5:	10.3x ↑
6:	10.7x ↓
7:	9.8 ↘
8:	9.9 ↓
9:	10.0 ←
10:	10.2x ↗
Series	102.2
	622.0