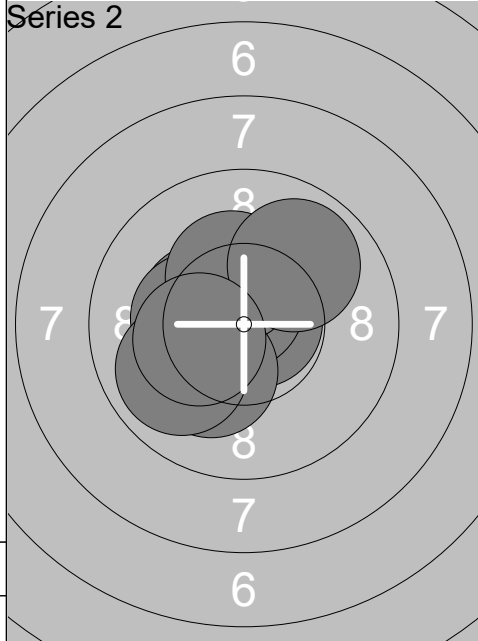
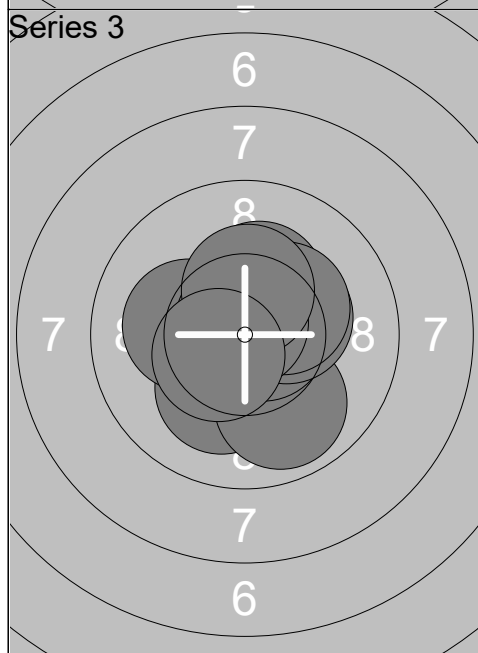


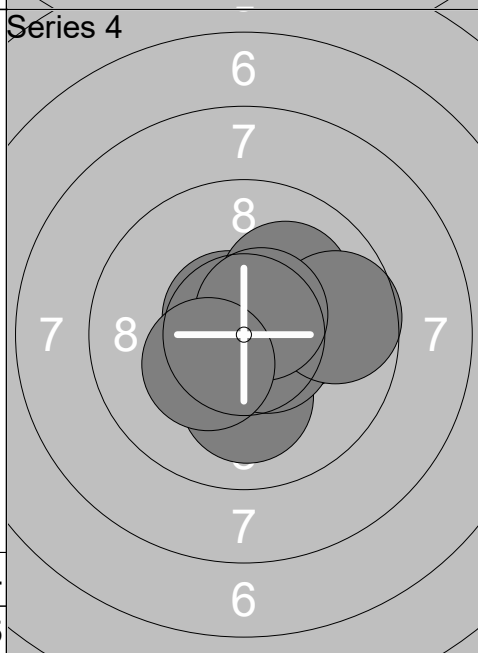
1:	9.3	↘
2:	10.4x	↙
3:	9.4	←
4:	10.2x	↙
5:	10.6x	↖
6:	10.2x	↓
7:	10.1	↓
8:	10.4x	↑
9:	9.6	↖
10:	10.9x	↗
Series	101.1	
	101.1	



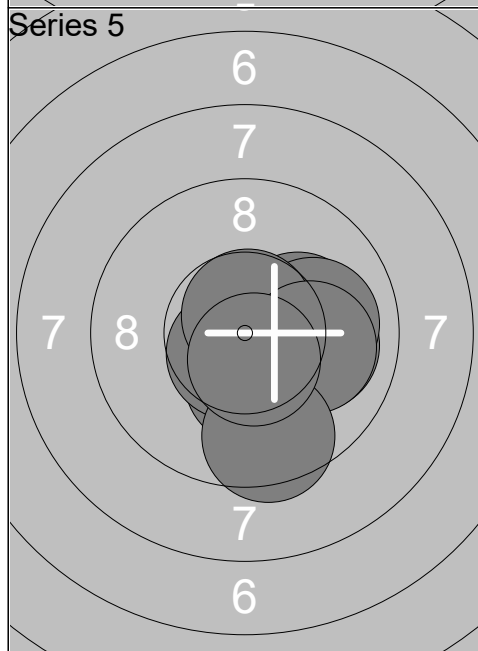
1:	10.8x	→
2:	10.4x	↙
3:	10.4x	↙
4:	10.3x	↙
5:	10.6x	↑
6:	10.3x	↑
7:	9.9	↗
8:	10.1	↓
9:	9.9	↙
10:	10.3x	↙
Series	103.0	
	204.1	



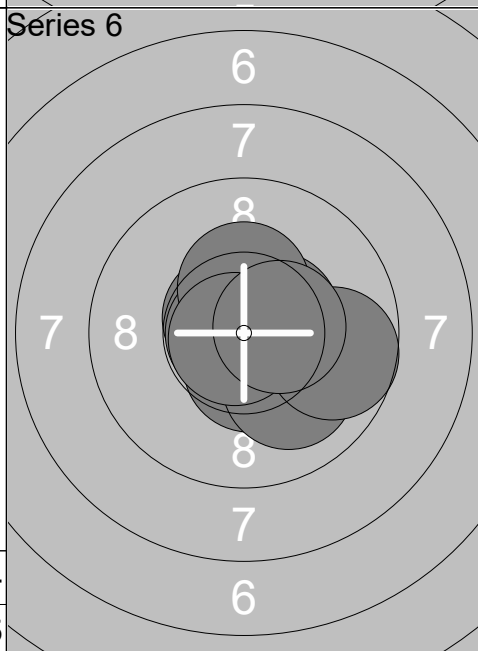
1:	10.1	↓
2:	10.2x	↙
3:	9.9	↓
4:	10.7x	→
5:	10.3x	↗
6:	10.3x	↑
7:	10.3x	↗
8:	10.8x	↑
9:	10.3x	↑
10:	10.5x	↙
Series	103.4	
	307.5	



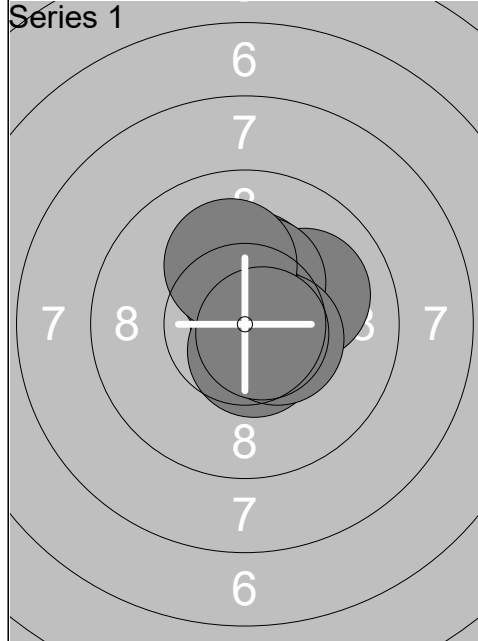
1:	10.6x	↓
2:	10.3x	→
3:	10.8x	→
4:	10.6x	↖
5:	10.1	↗
6:	10.1	↓
7:	10.6x	↘
8:	9.7	→
9:	10.5x	↗
10:	10.3x	↙
Series	103.6	
	411.1	



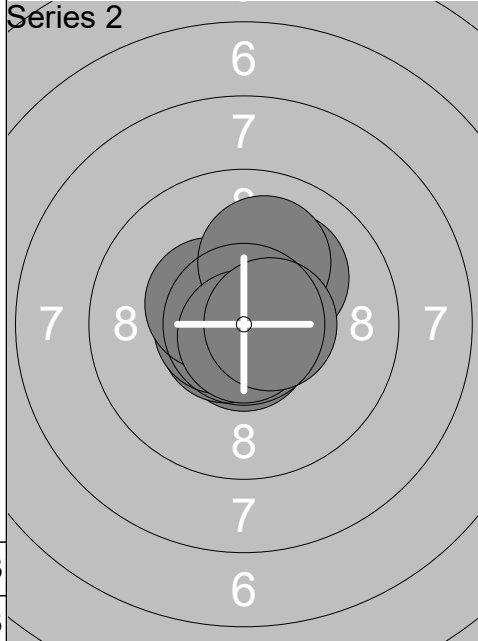
1:	10.3x	↓
2:	10.5x	→
3:	10.0	→
4:	10.6x	↙
5:	10.2x	→
6:	10.0	→
7:	10.7x	↑
8:	10.0	→
9:	9.5	↓
10:	10.6x	↓
Series	102.4	
	513.5	



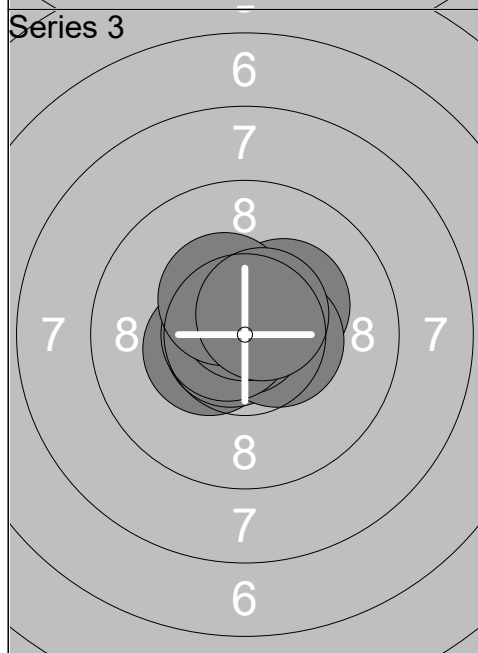
1:	10.5x	↗
2:	10.5x	→
3:	10.6x	↖
4:	10.8x	↙
5:	10.5x	↓
6:	10.0	↓
7:	10.3x	↑
8:	9.7	→
9:	10.8x	↙
10:	10.4x	→
Series	104.1	
	617.6	



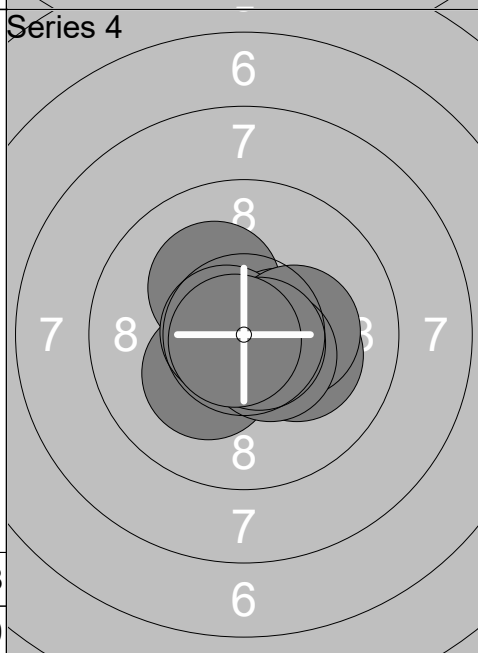
1:	10.4x	↑
2:	10.0	➔
3:	10.3x	↑
4:	10.7x	➔
5:	10.3x	↑
6:	10.8x	➔
7:	10.5x	↓
8:	10.5x	➔
9:	10.1	↑
10:	10.7x	➔
Series		104.3
		104.3



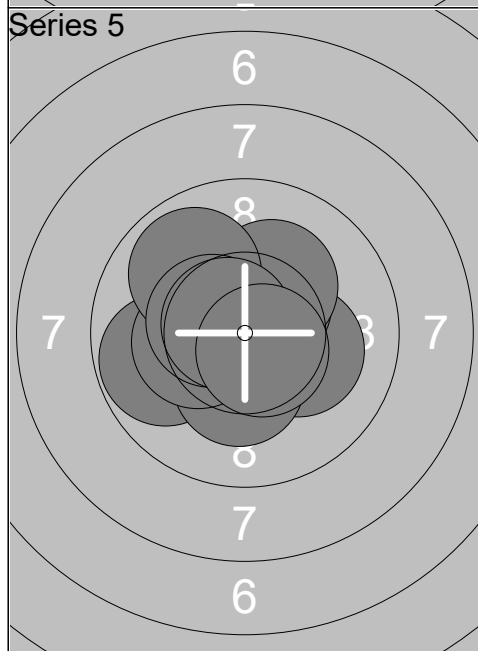
1:	10.4x	↖
2:	10.6x	↓
3:	10.1	↗
4:	10.6x	↙
5:	10.6x	↙
6:	10.4x	↖
7:	10.8x	➔
8:	10.0	↑
9:	10.8x	↓
10:	10.6x	➔
Series		104.9
		209.2



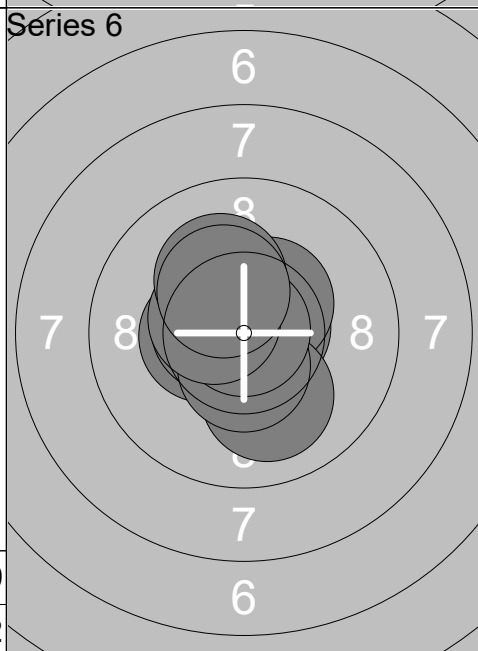
1:	10.4x	↙
2:	10.3x	↗
3:	10.7x	↙
4:	10.8x	➔
5:	10.5x	➔
6:	10.8x	↖
7:	10.7x	↙
8:	10.6x	↑
9:	10.4x	↖
10:	10.6x	↗
Series		105.8
		315.0



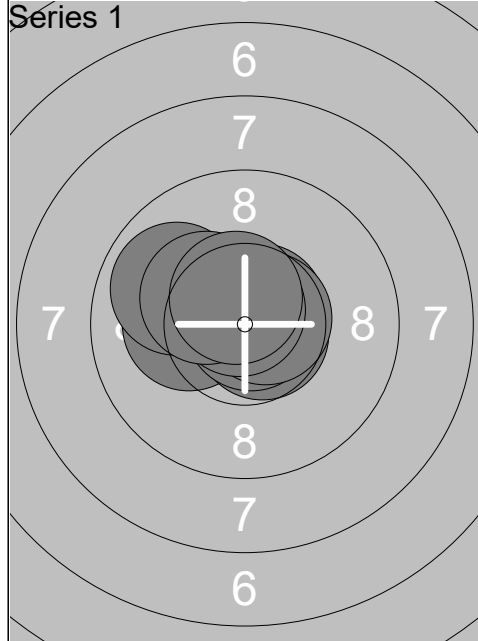
1:	10.2x	↙
2:	10.2x	↖
3:	10.4x	➔
4:	10.4x	➔
5:	10.2x	➔
6:	10.7x	↙
7:	10.2x	➔
8:	10.5x	↘
9:	10.7x	↘
10:	10.8x	↙
Series		104.3
		419.3



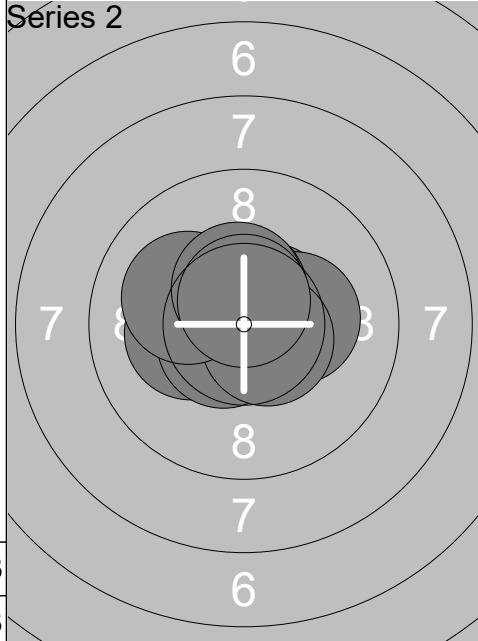
1:	10.2x	➔
2:	10.4x	↗
3:	10.2x	↗
4:	9.8	↙
5:	10.3x	↓
6:	10.3x	↙
7:	9.9	↖
8:	10.5x	↙
9:	10.7x	↙
10:	10.6x	↘
Series		102.9
		522.2



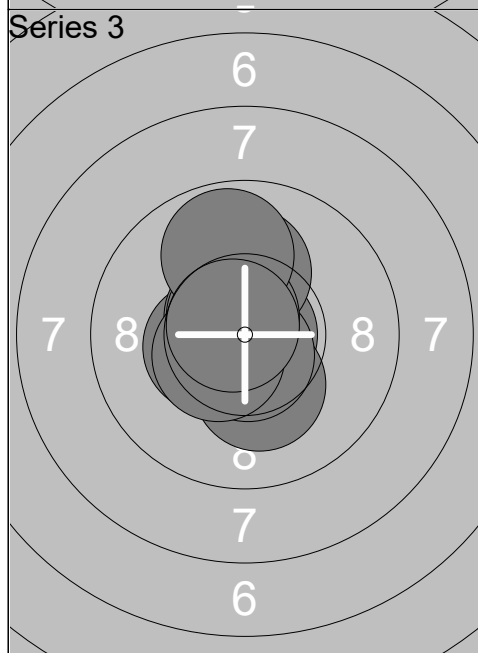
1:	10.7x	➔
2:	10.4x	↙
3:	10.6x	↙
4:	10.4x	↗
5:	10.0	↓
6:	10.5x	↓
7:	10.9x	↑
8:	10.5x	↖
9:	10.1	↖
10:	10.3x	↖
Series		104.4
		626.6



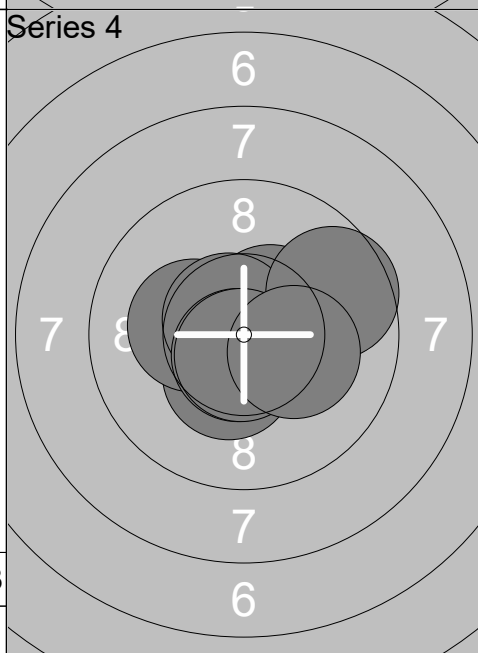
1:	10.2x ←
2:	10.6x ↗
3:	10.8x ↗
4:	10.7x ➤
5:	10.9x ➔
6:	10.6x ➔
7:	10.7x ↗
8:	9.9 ←
9:	10.3x ↖
10:	10.6x ↗
Series	105.3
	105.3



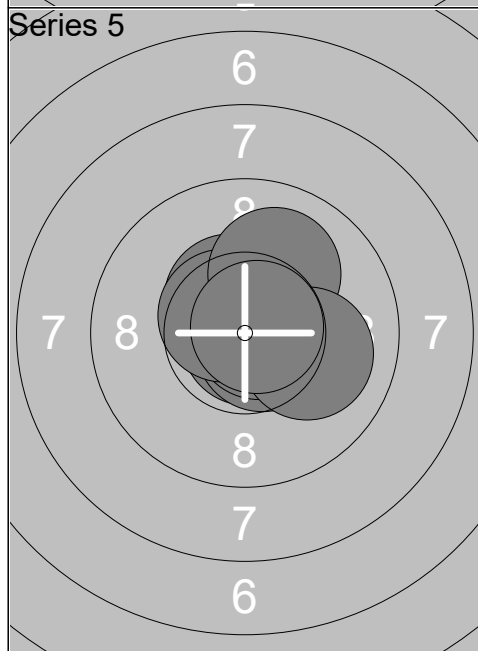
1:	10.2x ←
2:	10.5x ↗
3:	10.3x ➔
4:	10.7x ←
5:	10.6x ↙
6:	10.6x ➤
7:	10.5x ↑
8:	10.1 ←
9:	10.4x ↑
10:	10.6x ↑
Series	104.5
	209.8



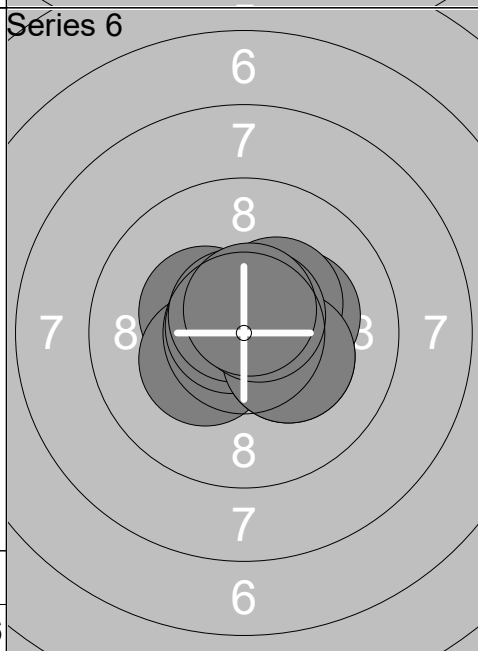
1:	10.4x ←
2:	10.6x ↖
3:	10.8x ➔
4:	10.2x ↓
5:	10.6x ↓
6:	10.5x ↙
7:	10.1 ↑
8:	10.6x ↖
9:	9.8 ↑
10:	10.7x ↖
Series	104.3
	314.1



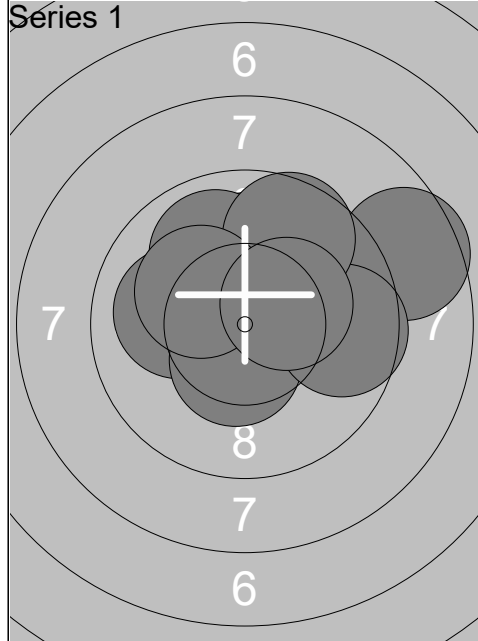
1:	10.4x ↓
2:	10.3x ←
3:	10.8x ➔
4:	10.8x ➔
5:	10.5x ↗
6:	10.6x ↖
7:	10.6x ↓
8:	9.6 ➔
9:	10.6x ↓
10:	10.2x ➤
Series	104.4
	418.5



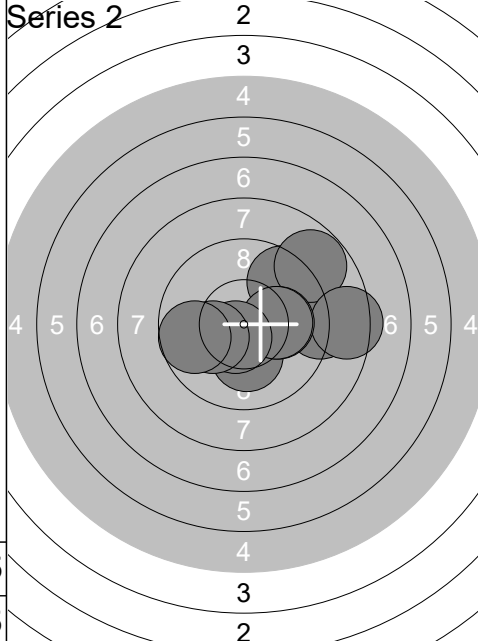
1:	10.4x ↖
2:	10.8x ↗
3:	10.4x ↗
4:	10.9x ↓
5:	10.6x ➤
6:	10.7x ➔
7:	10.5x ↖
8:	10.0 ↗
9:	10.0 ➤
10:	10.8x ➔
Series	105.1
	523.6



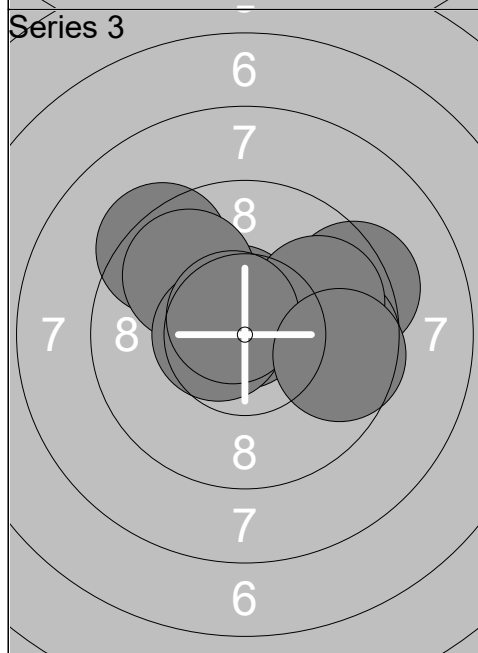
1:	10.3x ↖
2:	10.3x ↙
3:	10.3x ➤
4:	10.7x ↖
5:	10.2x ➔
6:	10.3x ↗
7:	10.7x ↗
8:	10.2x ➤
9:	10.6x ↗
10:	10.6x ↑
Series	104.2
	627.8



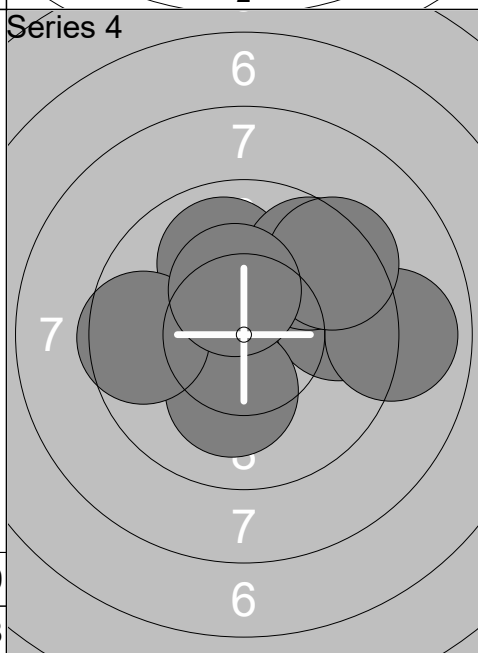
1:	10.0	←
2:	10.0	→
3:	10.0	↑
4:	10.4x	↓
5:	8.5	→
6:	9.6	→
7:	9.9	↑
8:	9.6	↑
9:	10.2x	↖
10:	10.3x	↗
Series	98.5	
	98.5	



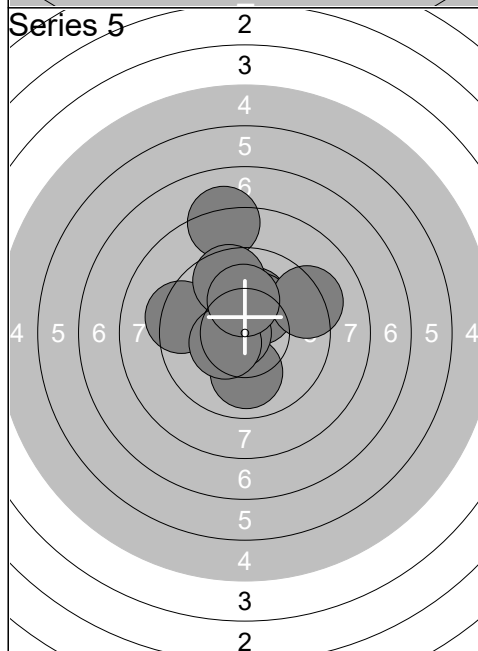
1:	9.5	↗
2:	9.0	→
3:	8.7	↗
4:	8.4	→
5:	10.2x	↓
6:	10.1	→
7:	10.1	→
8:	10.5x	↙
9:	10.1	←
10:	9.7	←
Series	96.3	
	194.8	



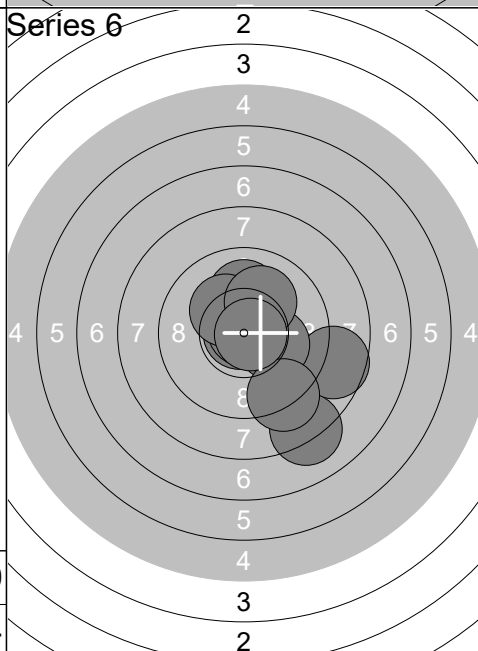
1:	10.7x	↑
2:	10.6x	↑
3:	9.3	↖
4:	9.8	↖
5:	9.3	→
6:	9.7	→
7:	10.6x	←
8:	9.8	→
9:	10.6x	↖
10:	9.6	→
Series	100.0	
	294.8	



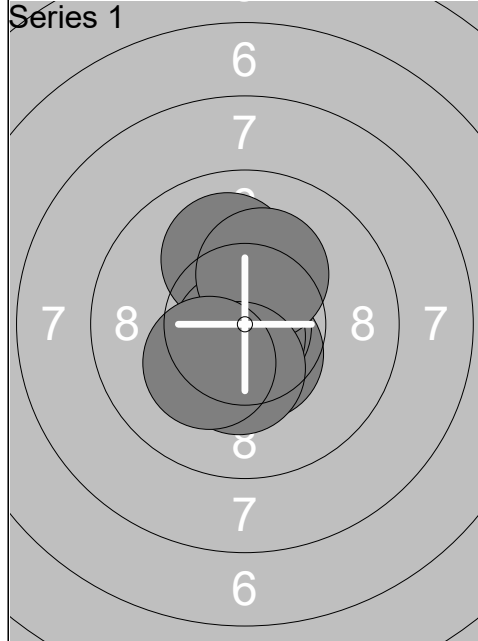
1:	10.7x	←
2:	9.6	→
3:	8.9	→
4:	9.9	↑
5:	9.6	↗
6:	10.5x	←
7:	10.1	↓
8:	9.4	↗
9:	9.6	←
10:	10.3x	↑
Series	98.6	
	393.4	



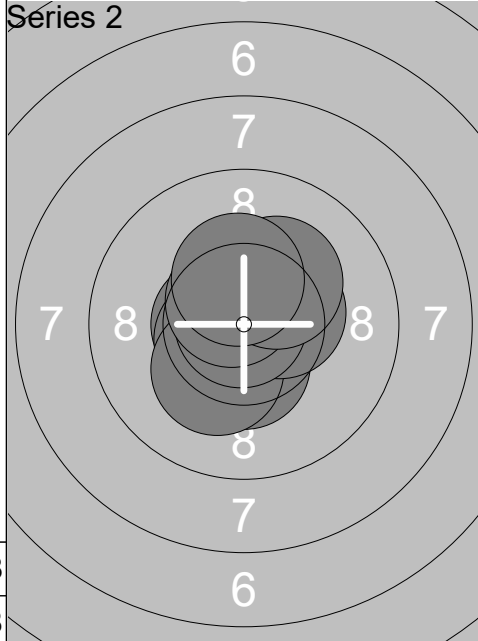
1:	8.2	↑
2:	10.2x	↑
3:	10.3x	↗
4:	10.0	↓
5:	9.3	←
6:	10.7x	←
7:	10.4x	←
8:	9.6	↑
9:	9.2	↗
10:	10.1	↑
Series	98.0	
	491.4	



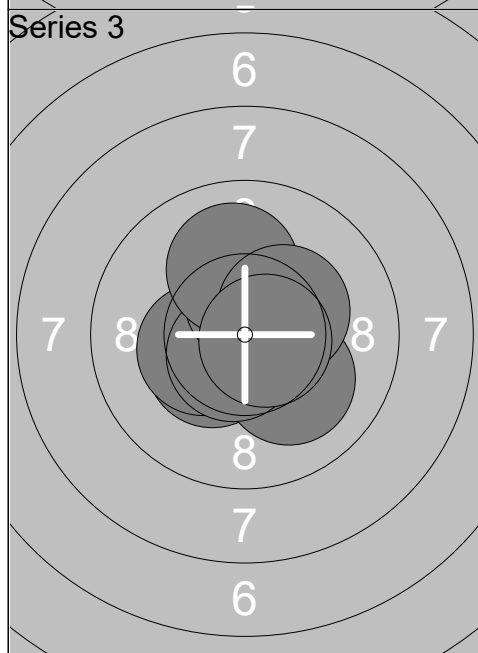
1:	10.8x	←
2:	10.9x	↑
3:	8.6	→
4:	10.2x	→
5:	8.1	↓
6:	9.1	↓
7:	10.0	↑
8:	10.2x	↖
9:	10.1	↗
10:	10.8x	→
Series	98.8	
	590.2	



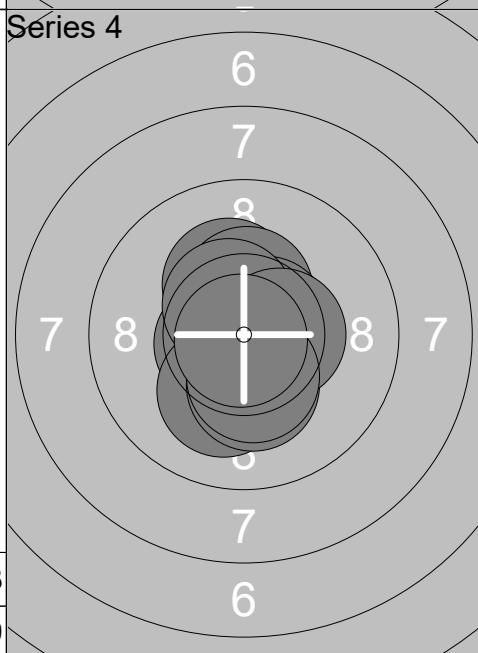
1:	10.3x ↑
2:	10.5x ↓
3:	10.5x ↓
4:	10.9x ↓
5:	10.2x ↑
6:	10.0 ↑
7:	10.7x ↓
8:	10.2x ↑
9:	10.3x ↓
10:	10.2x ↓
Series	103.8
	103.8



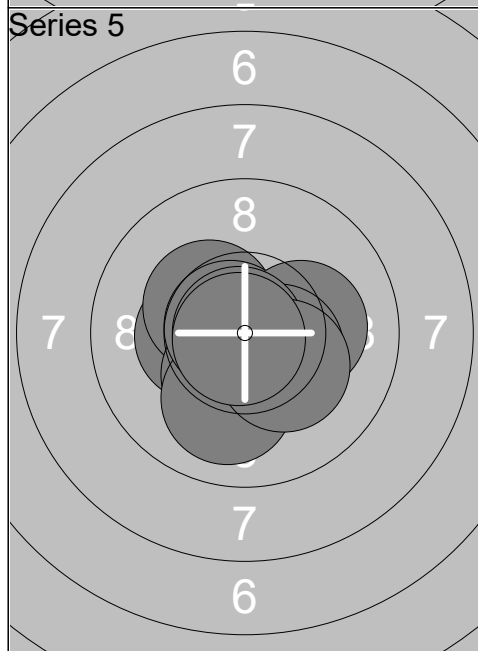
1:	10.4x ↓
2:	10.6x ←
3:	10.6x ↙
4:	10.6x ↑
5:	10.2x ↓
6:	10.4x →
7:	10.9x ↖
8:	10.6x ↑
9:	10.2x ↗
10:	10.3x ↑
Series	104.8
	208.6



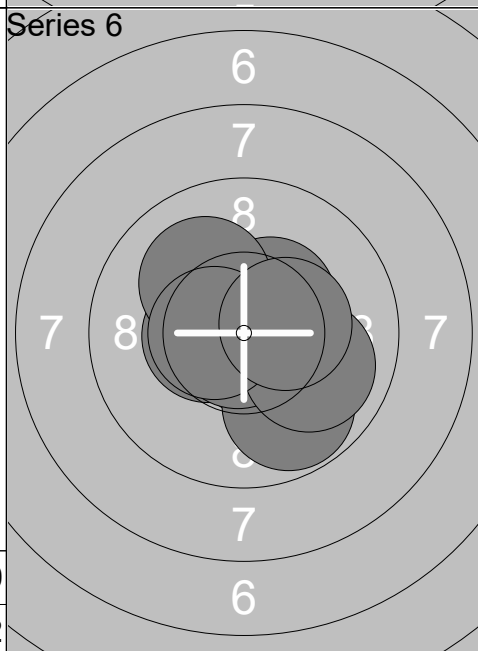
1:	10.4x ↙
2:	10.9x ←
3:	10.3x ←
4:	10.1 ↘
5:	10.6x →
6:	10.6x ↓
7:	10.5x ↑
8:	10.0 ↑
9:	10.3x ↗
10:	10.6x →
Series	104.3
	312.9



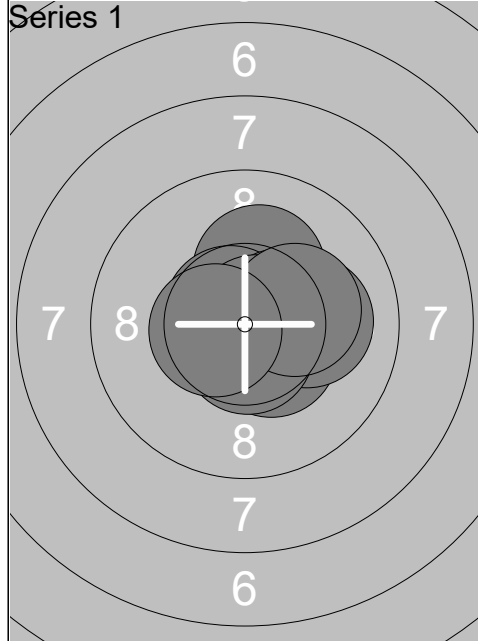
1:	10.2x ↑
2:	10.4x ↑
3:	10.6x ↗
4:	10.6x ←
5:	10.1 ↓
6:	10.3x ↓
7:	10.5x ↖
8:	10.5x →
9:	10.3x ↓
10:	10.8x ↓
Series	104.3
	417.2



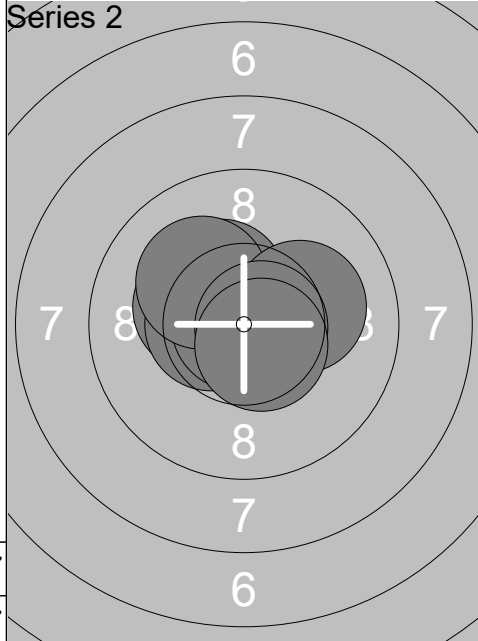
1:	10.3x ←
2:	10.3x ↖
3:	10.3x ↓
4:	10.0 ↓
5:	10.7x ↖
6:	10.2x →
7:	10.4x ↗
8:	10.8x ←
9:	10.2x ↓
10:	10.8x ↓
Series	104.0
	521.2



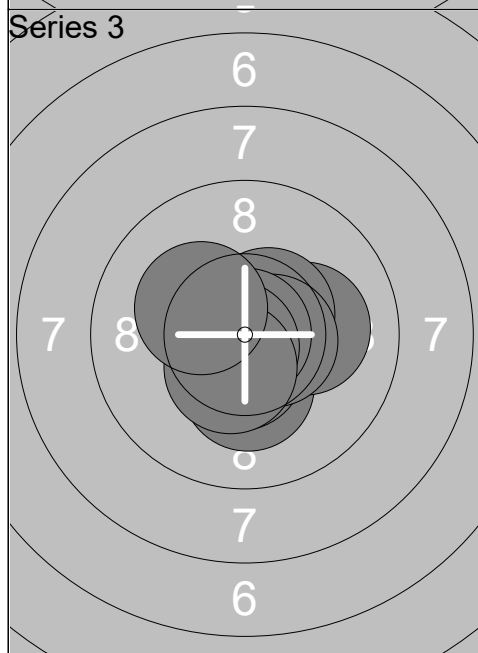
1:	10.4x ↗
2:	10.8x →
3:	10.6x ↓
4:	10.4x ←
5:	9.8 ↓
6:	10.8x ↓
7:	9.9 ↗
8:	10.1 ↖
9:	10.5x ←
10:	10.4x →
Series	103.7
	624.9



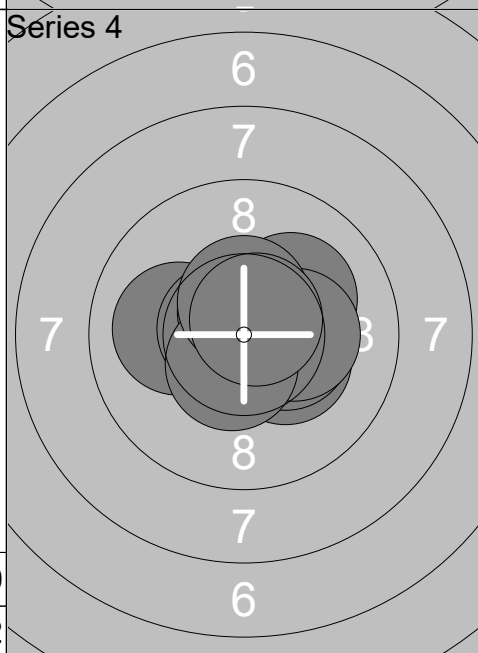
1:	10.2x ↗
2:	10.7x ↖
3:	10.8x ↘
4:	10.4x →
5:	10.8x →
6:	10.4x ↘
7:	10.1 →
8:	10.6x ↘
9:	10.2x →
10:	10.5x ←
Series	104.7
	104.7



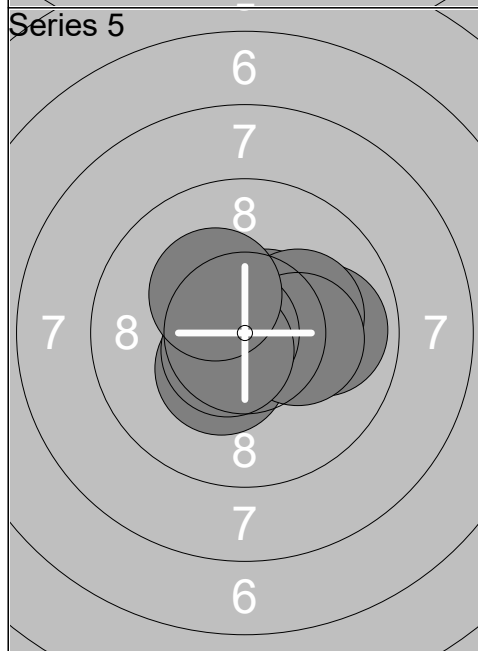
1:	10.3x ↖
2:	10.5x ←
3:	10.8x ←
4:	10.5x →
5:	10.3x ↗
6:	10.5x →
7:	10.2x ↖
8:	10.1 →
9:	10.7x →
10:	10.6x ↘
Series	104.5
	209.2



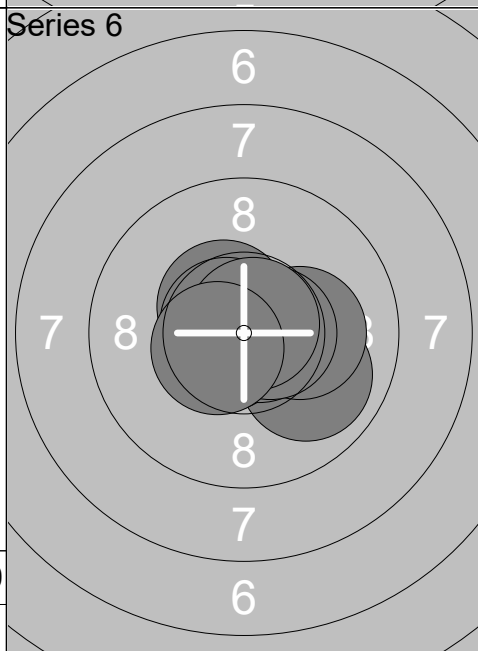
1:	10.3x ↘
2:	10.5x ↘
3:	10.7x ←
4:	10.1 →
5:	10.5x ↗
6:	10.6x →
7:	10.9x
8:	10.7x ↖
9:	10.5x ↘
10:	10.2x ↖
Series	105.0
	314.2



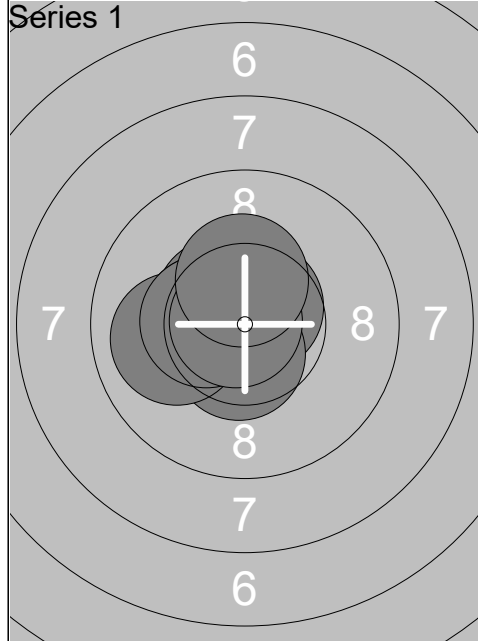
1:	10.1 ←
2:	10.1 ↗
3:	10.6x ←
4:	10.3x ↘
5:	10.3x →
6:	10.6x ↑
7:	10.2x →
8:	10.5x ↘
9:	10.5x ↑
10:	10.7x ↗
Series	103.9
	418.1



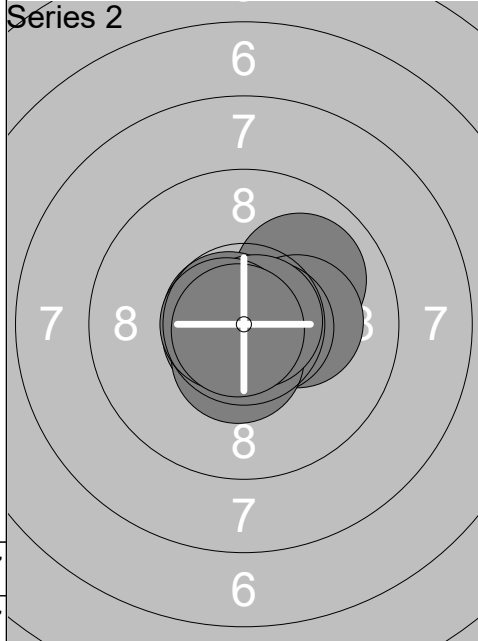
1:	10.5x ↗
2:	9.9 →
3:	10.4x →
4:	10.7x →
5:	10.2x →
6:	10.4x ↘
7:	10.2x →
8:	10.8x ←
9:	10.6x ↖
10:	10.3x ↖
Series	104.0
	522.1



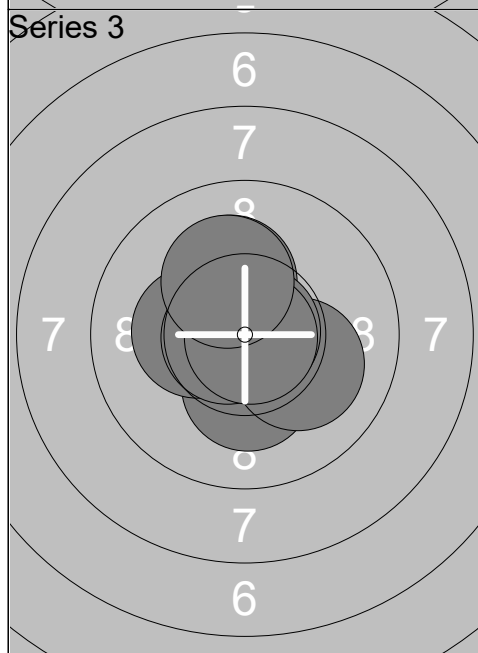
1:	9.9 ↘
2:	10.6x ↖
3:	10.7x →
4:	10.7x →
5:	10.5x ↖
6:	10.2x →
7:	10.6x →
8:	10.6x ↖
9:	10.8x ↗
10:	10.5x ↖
Series	105.1
	627.2



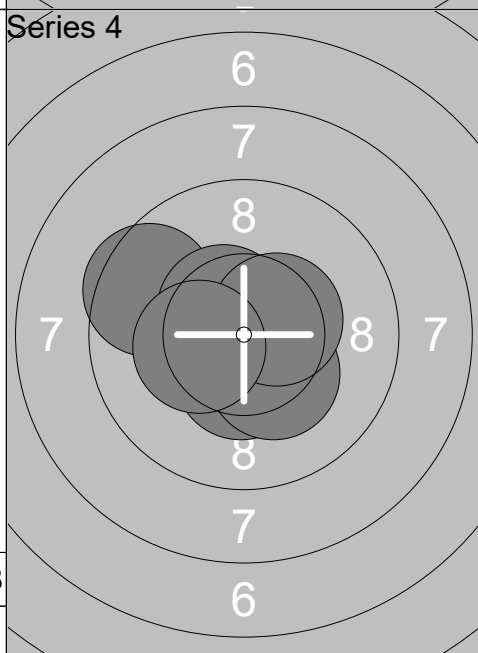
1:	10.5x ↖
2:	10.7x ↓
3:	10.6x ↗
4:	10.5x ←
5:	10.4x ←
6:	10.5x ↓
7:	10.0 ←
8:	10.4x ←
9:	10.8x ↖
10:	10.3x ↑
Series	104.7
	104.7



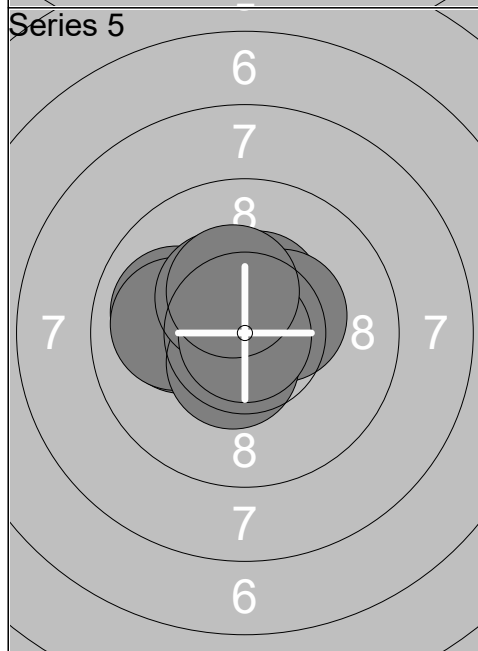
1:	9.9 ↗
2:	10.2x →
3:	10.7x ↙
4:	10.7x →
5:	10.7x ↖
6:	10.6x →
7:	10.5x ↓
8:	10.8x →
9:	10.7x ↖
10:	10.8x ↙
Series	105.6
	210.3



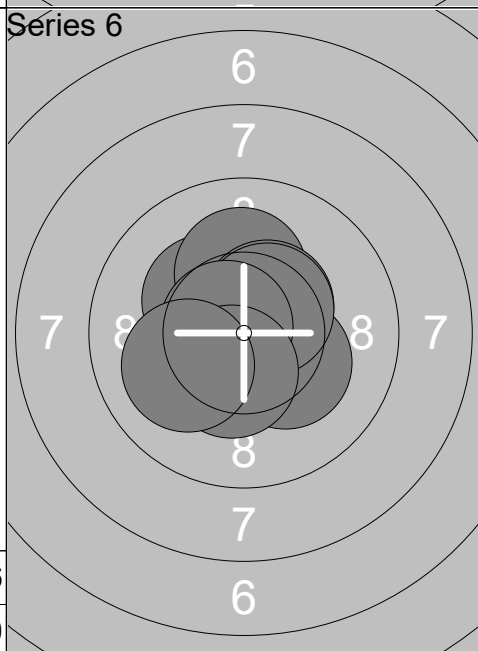
1:	10.2x ↑
2:	10.5x ↓
3:	10.3x ↓
4:	10.1 →
5:	10.8x →
6:	10.9x ↖
7:	10.3x ←
8:	10.7x ←
9:	10.8x →
10:	10.2x ↑
Series	104.8
	315.1



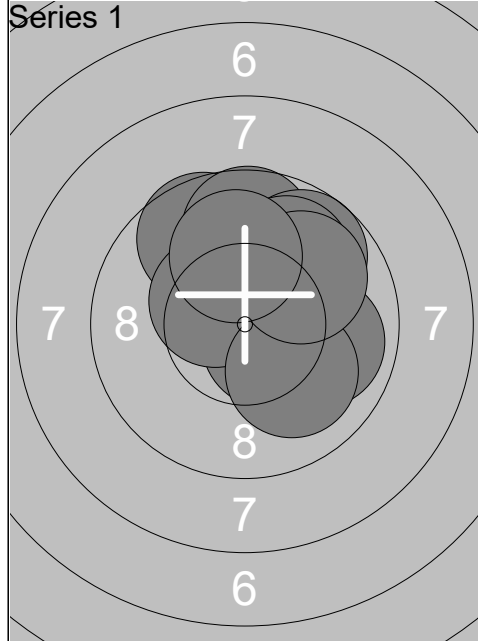
1:	10.6x ←
2:	10.6x ↖
3:	9.5 ↖
4:	10.4x ↓
5:	10.9x →
6:	10.8x ↓
7:	10.3x ↓
8:	10.5x ↖
9:	10.4x →
10:	10.3x ←
Series	104.3
	419.4



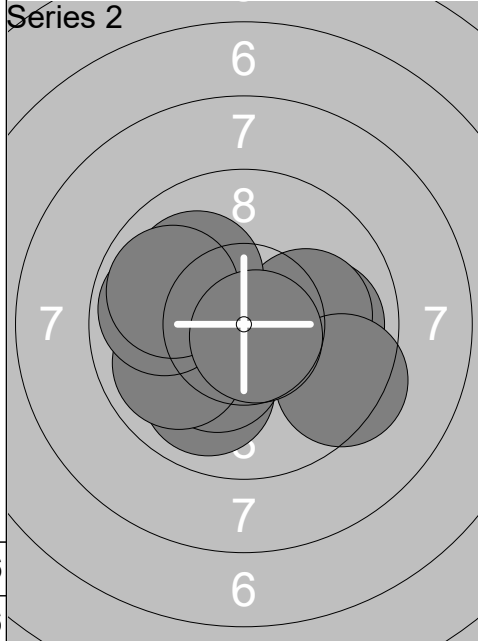
1:	10.4x ↑
2:	10.6x ↗
3:	10.0 ←
4:	10.1 ←
5:	10.0 ←
6:	10.4x →
7:	10.5x ↓
8:	10.3x ↖
9:	10.9x ↓
10:	10.4x ↑
Series	103.6
	523.0



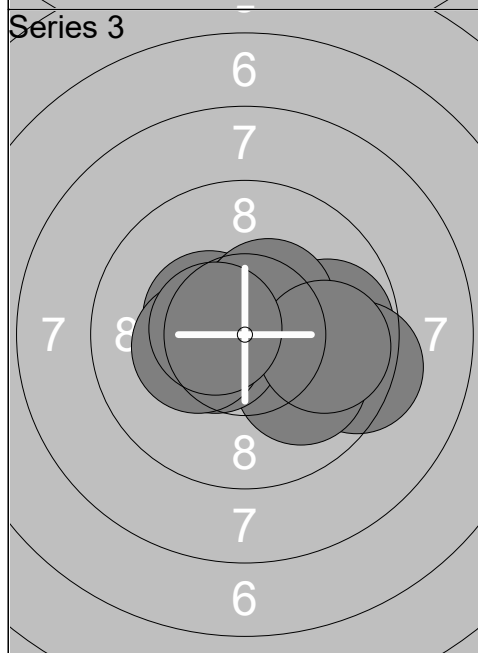
1:	10.3x ↖
2:	10.9x ←
3:	10.2x →
4:	10.5x ↓
5:	10.1 ↑
6:	10.4x ↗
7:	10.5x ↗
8:	10.7x ↖
9:	10.4x ↓
10:	10.0 ↖
Series	104.0
	627.0



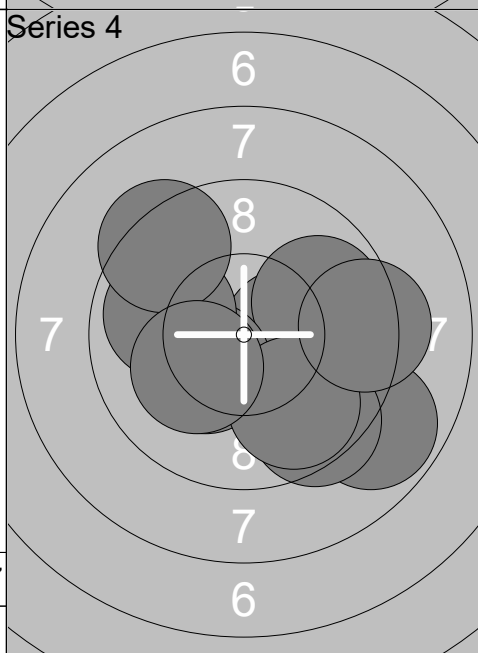
1:	9.9	→
2:	10.5x	↘
3:	9.6	↗
4:	9.7	↑
5:	10.4x	↖
6:	9.7	↗
7:	9.9	↗
8:	10.0	↘
9:	9.9	↗
10:	10.0	↑
Series	99.6	
	99.6	



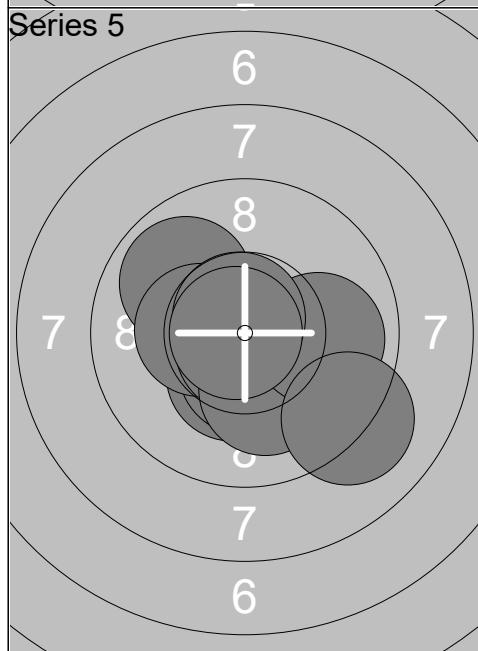
1:	9.9	↘
2:	10.2x	↘
3:	9.9	←
4:	9.8	←
5:	9.9	→
6:	10.1	→
7:	10.0	↗
8:	9.9	←
9:	9.4	↘
10:	10.7x	↘
Series	99.8	
	199.4	



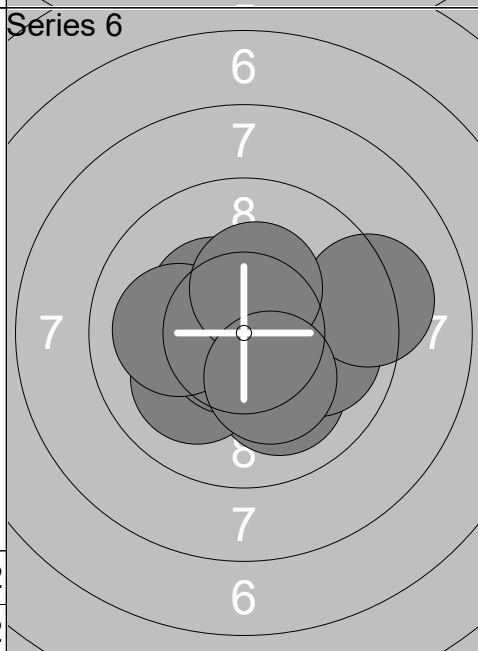
1:	9.8	→
2:	10.4x	↖
3:	9.4	→
4:	9.9	↘
5:	10.7x	↗
6:	10.5x	←
7:	10.4x	↗
8:	9.8	→
9:	10.3x	←
10:	10.5x	←
Series	101.7	
	301.1	



1:	10.3x	→
2:	9.8	↗
3:	10.2x	↖
4:	8.8	↘
5:	9.4	↘
6:	9.8	↘
7:	9.3	→
8:	9.9	←
9:	9.3	↗
10:	10.1	↖
Series	96.9	
	398.0	

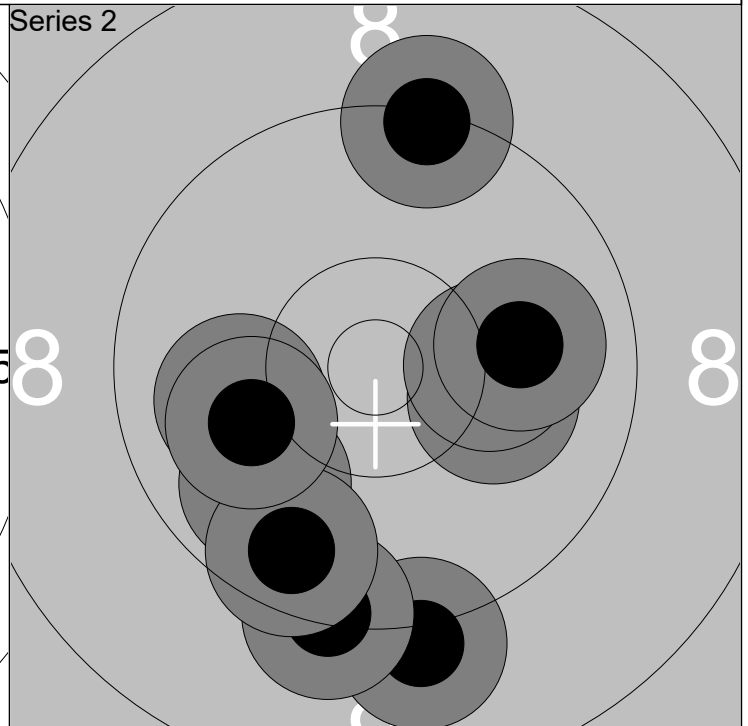
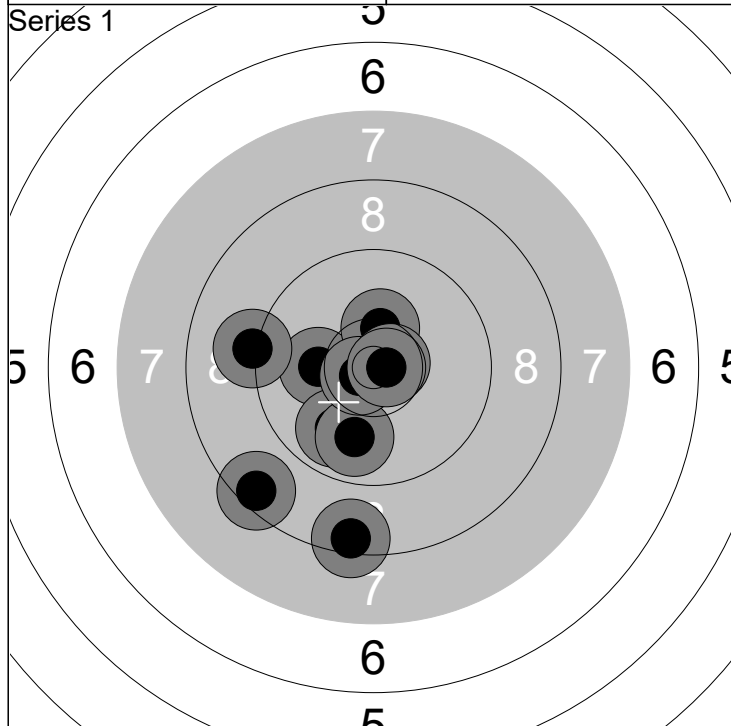


1:	10.3x	↘
2:	10.4x	↘
3:	9.9	↖
4:	10.3x	←
5:	10.7x	↘
6:	10.1	↘
7:	9.9	→
8:	10.7x	↗
9:	10.8x	←
10:	9.1	↘
Series	102.2	
	500.2	



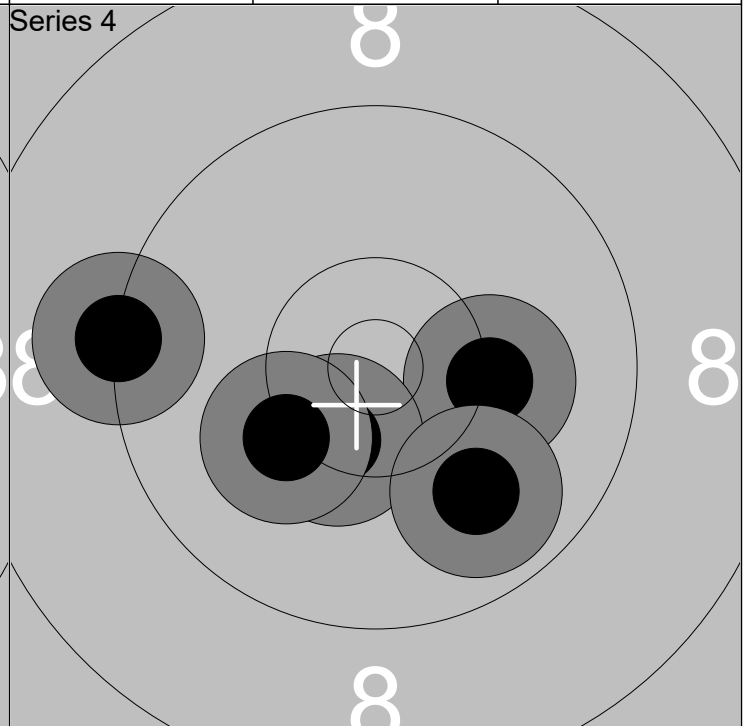
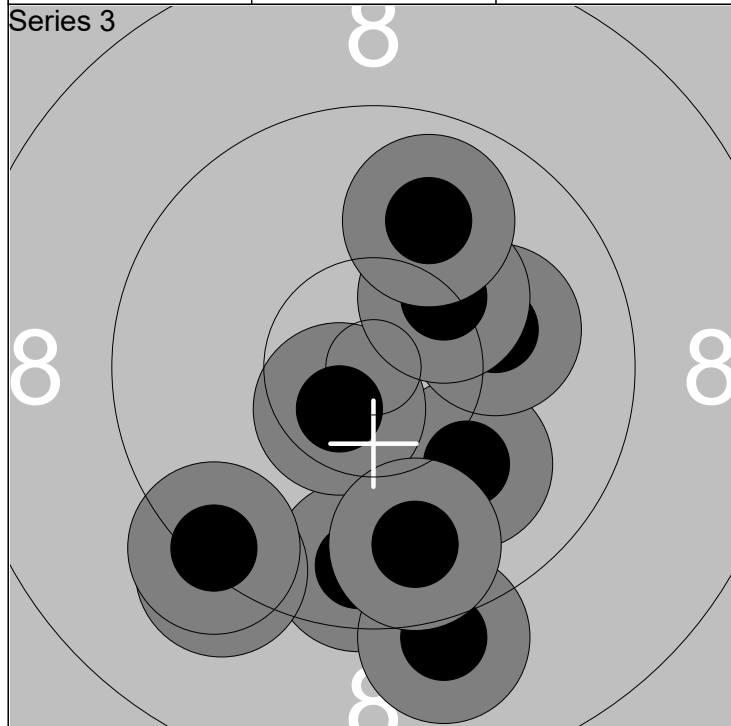
1:	10.4x	↖
2:	10.0	↘
3:	9.9	→
4:	10.6x	↗
5:	10.1	↖
6:	9.2	→
7:	10.7x	↘
8:	10.0	←
9:	10.3x	↗
10:	10.2x	↘
Series	101.4	
	601.6	

Relay 3	Lane 19	Frederik Larsen	
1 Air Qualification		DEN	Mp
18.02.2023		DENMARK OPEN AIR 2023 DAY2	Danmark Open Air 2023
DNF			



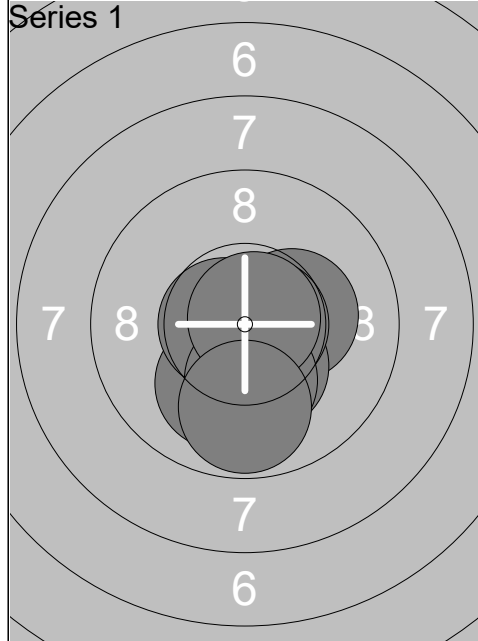
1: 10.1 ←	6: 10.7x ↙	Series	98 (3x)
2: 9.9 ↘	7: 8.5 ↘		
3: 9.9 ↓	8: 8.4 ↓		98 (3x)
4: 9.2 ←	9: 10.7x →		
5: 10.4 ↑	10: 10.8x →		

1: 10.1 →	6: 9.3 ↓	Series	97 (0x)
2: 10.2 →	7: 9.9 ↘		
3: 9.1 ↓	8: 9.6 ↓		196 (3x)
4: 9.3 ↑	9: 10.0 →		
5: 10.0 ←	10: 10.1 ←		

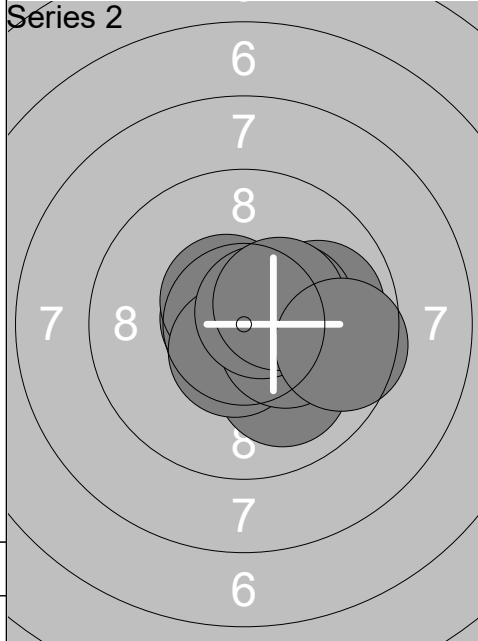


1: 10.1 ↘	6: 10.6x ↙	Series	98 (1x)
2: 10.1 →	7: 9.1 ↓		
3: 9.6 ↓	8: 9.8 ↓		294 (4x)
4: 9.3 ↘	9: 10.3 ↗		
5: 9.4 ↘	10: 9.9 ↑		

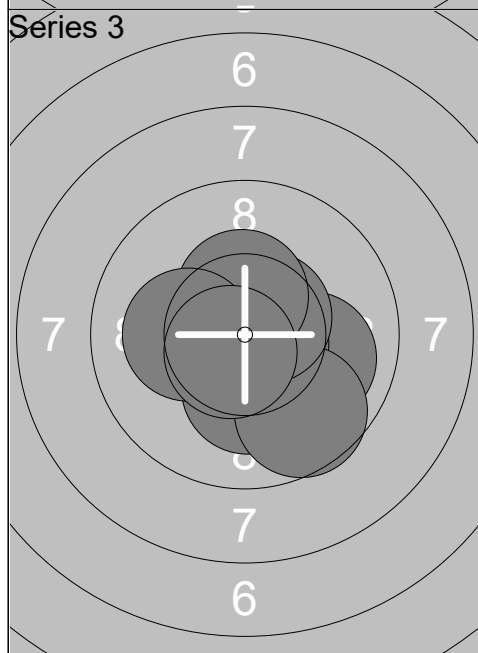
1: 10.2 →	Series	50 (1x)
2: 10.4x ↘		
3: 9.9 ↘		344 (5x)
4: 9.3 ←		
5: 10.2 ↘		



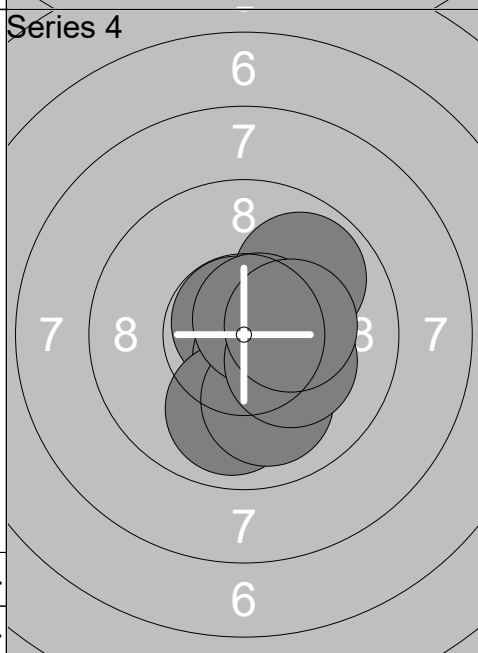
1:	10.7x →
2:	10.6x ↙
3:	10.3x →
4:	10.3x ↓
5:	10.1 ↓
6:	10.6x ←
7:	10.7x →
8:	10.2x ↓
9:	10.8x ↗
10:	9.8 ↓
Series	104.1
	104.1



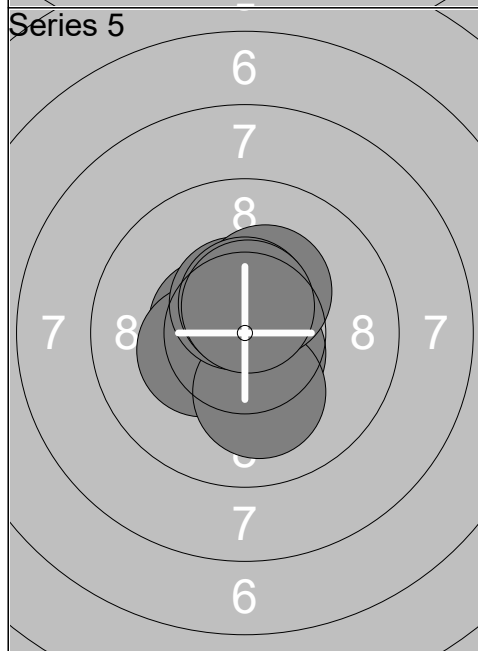
1:	10.0 ↓
2:	10.7x ←
3:	10.5x ↖
4:	10.5x ↓
5:	9.9 →
6:	10.3x →
7:	10.3x →
8:	10.7x ↗
9:	10.4x ↗
10:	9.6 →
Series	102.9
	207.0



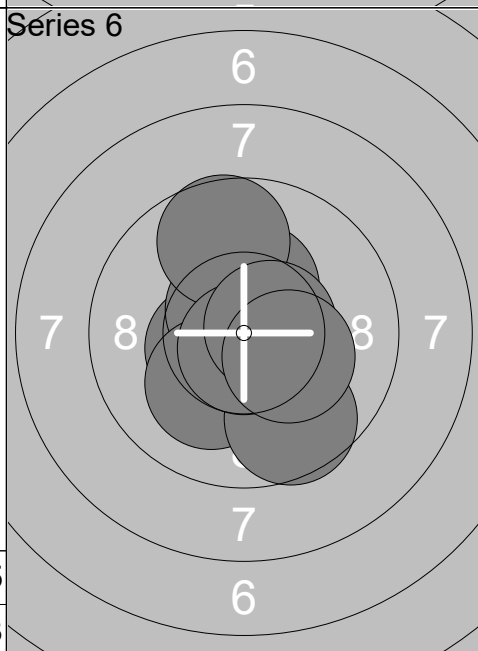
1:	10.8x ↓
2:	10.4x ↑
3:	10.0 →
4:	10.2x ↓
5:	10.6x →
6:	9.6 ↓
7:	10.6x ↗
8:	10.4x ↑
9:	10.2x ←
10:	10.6x ↙
Series	103.4
	310.4



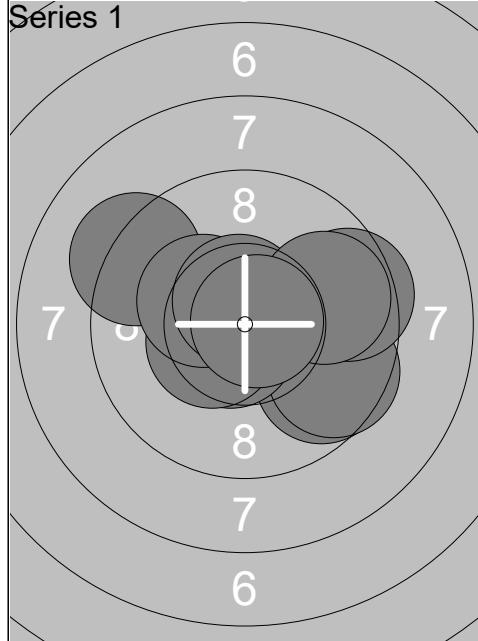
1:	10.7x ↖
2:	10.6x →
3:	10.6x ↓
4:	10.5x →
5:	9.9 ↓
6:	10.0 ↓
7:	9.9 ↗
8:	10.7x ↗
9:	10.2x →
10:	10.3x →
Series	103.4
	413.8



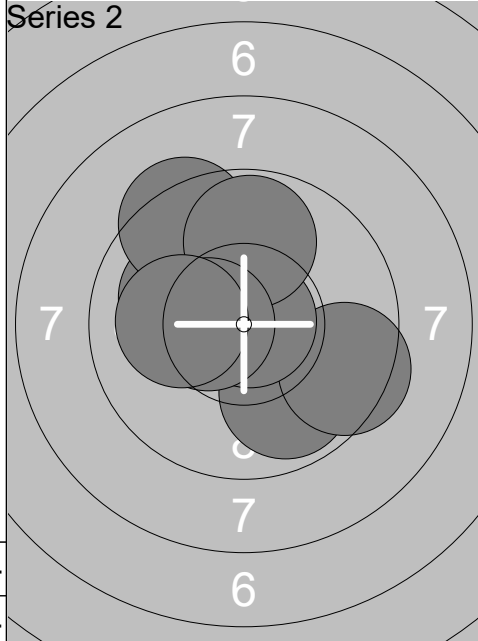
1:	10.5x ↓
2:	10.6x ←
3:	10.6x ↓
4:	10.5x ←
5:	10.3x ←
6:	10.1 ↓
7:	10.5x ↑
8:	10.3x ↗
9:	10.5x ↑
10:	10.6x ↑
Series	104.5
	518.3



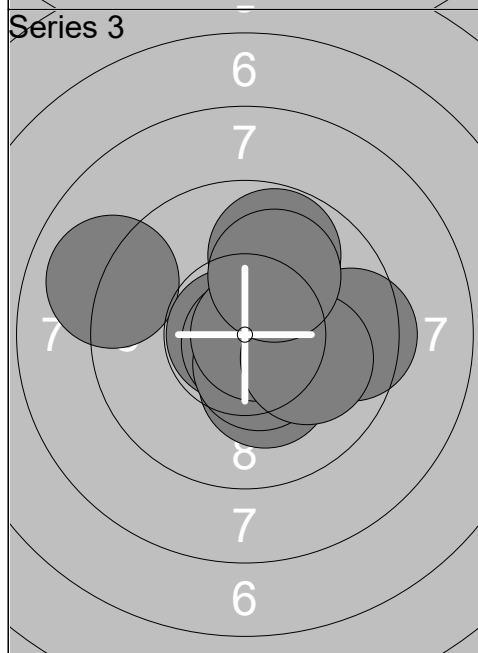
1:	10.3x ↑
2:	10.4x ←
3:	10.4x ↓
4:	10.6x ↖
5:	10.1 ↓
6:	9.6 ↓
7:	9.7 ↑
8:	10.7x ↓
9:	10.6x →
10:	10.2x →
Series	102.6
	620.9



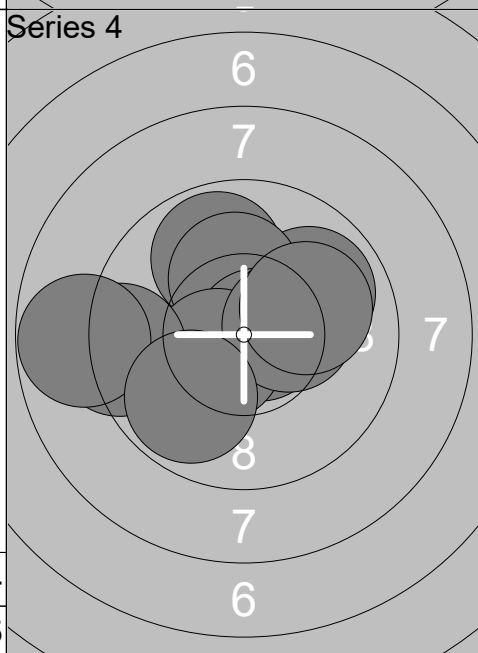
1:	9.7	↘
2:	9.6	↘
3:	10.6x	↘
4:	10.4x	↙
5:	9.2	↖
6:	9.5	→
7:	10.3x	↖
8:	10.6x	↑
9:	9.8	→
10:	10.7x	→
Series		100.4
		100.4



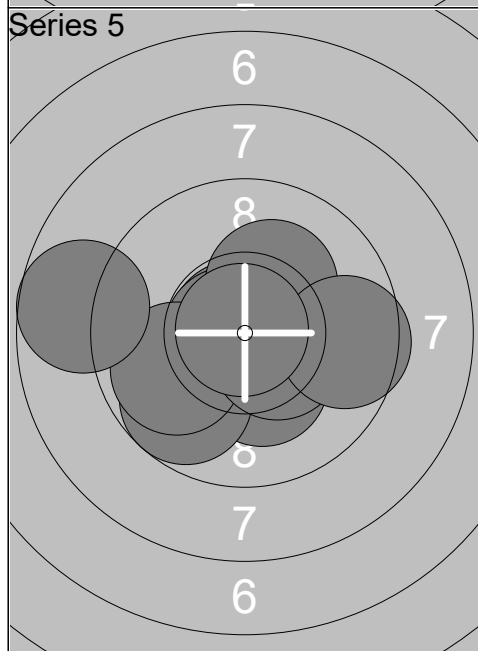
1:	9.8	↗
2:	10.0	↖
3:	9.9	↘
4:	10.2x	↖
5:	9.4	↘
6:	9.3	↗
7:	10.8x	↗
8:	9.8	↑
9:	10.4x	↖
10:	10.1	↖
Series		99.7
		200.1



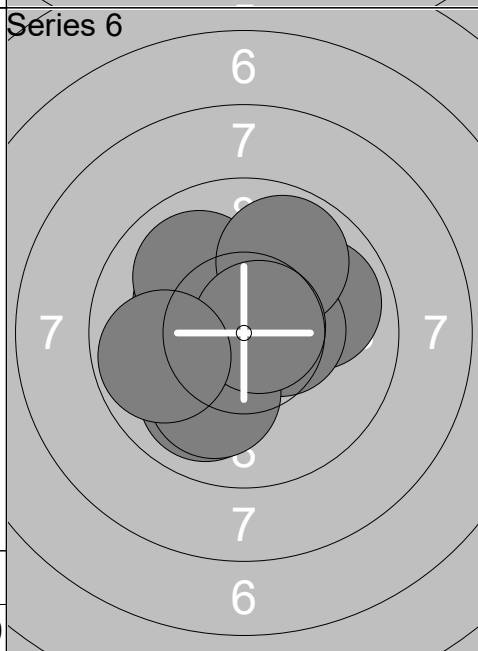
1:	9.5	→
2:	9.0	↖
3:	10.2x	↘
4:	9.8	↗
5:	10.8x	↖
6:	10.8x	↘
7:	10.5x	↘
8:	10.8x	→
9:	10.0	↘
10:	10.0	↗
Series		101.4
		301.5



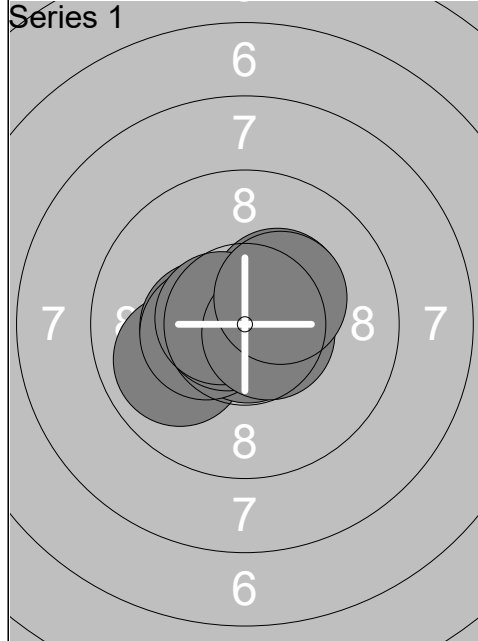
1:	9.8	↗
2:	9.9	↗
3:	10.2x	↑
4:	10.7x	→
5:	10.5x	↙
6:	9.3	↖
7:	10.3x	→
8:	8.8	↖
9:	10.0	↘
10:	9.8	↘
Series		99.3
		400.8



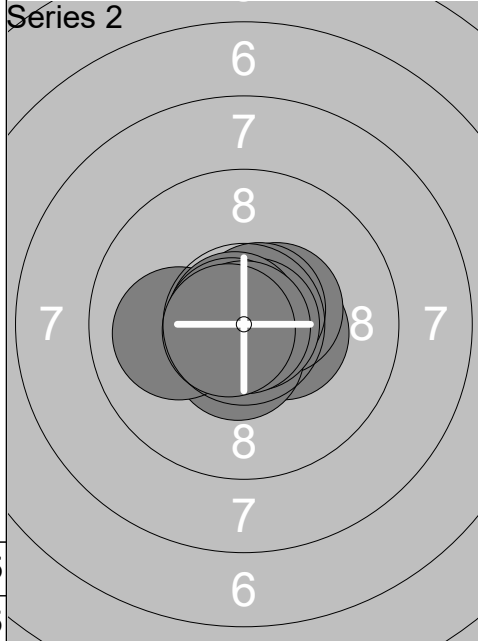
1:	10.8x	↖
2:	10.2x	↘
3:	9.7	↘
4:	10.7x	↖
5:	9.9	↖
6:	8.7	↖
7:	10.4x	↘
8:	10.2x	↗
9:	9.6	→
10:	10.9x	↖
Series		101.1
		501.9



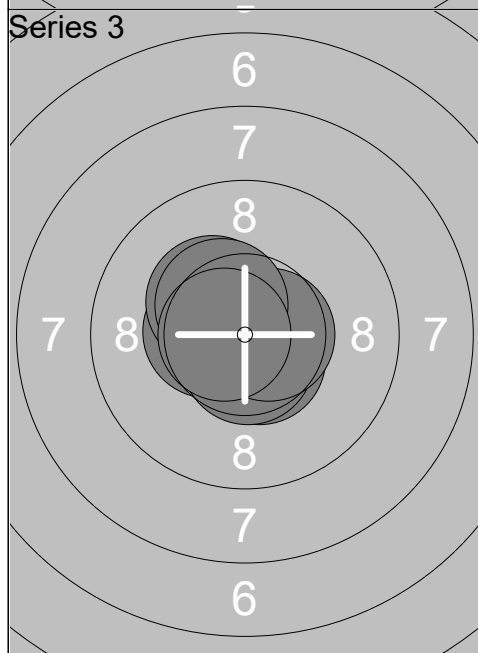
1:	9.9	↘
2:	10.2x	↖
3:	10.4x	→
4:	9.9	↘
5:	10.4x	↑
6:	10.0	↖
7:	9.8	↗
8:	10.0	↘
9:	10.7x	↘
10:	9.8	↖
Series		101.1
		603.0



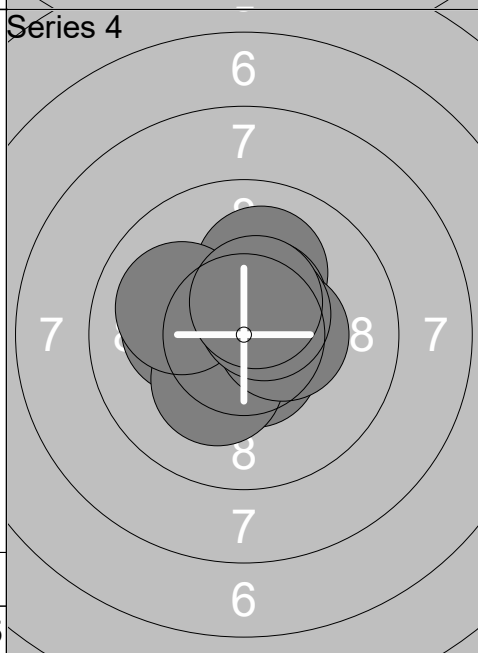
1:	9.9 ↙
2:	10.5x ←
3:	10.4x ←
4:	10.8x ↓
5:	10.3x ↗
6:	10.4x ←
7:	10.7x ←
8:	10.6x ←
9:	10.6x →
10:	10.3x ↗
Series	104.5
	104.5



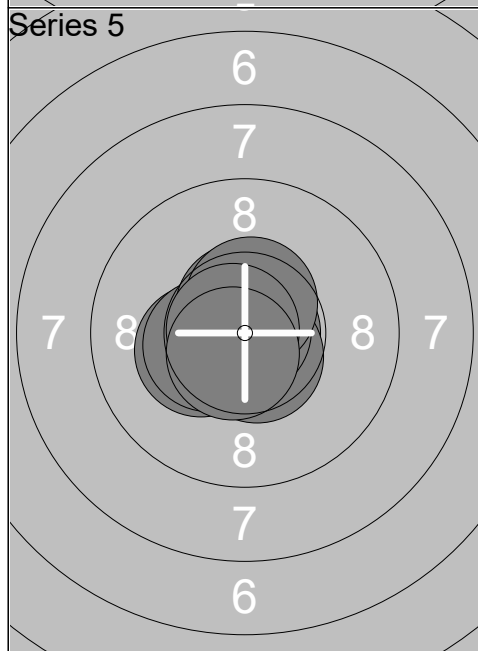
1:	10.4x →
2:	10.4x →
3:	10.6x ↗
4:	10.5x ↓
5:	10.8x →
6:	10.0 ←
7:	10.8x ↖
8:	10.8x ←
9:	10.9x ↓
10:	10.7x ←
Series	105.9
	210.4



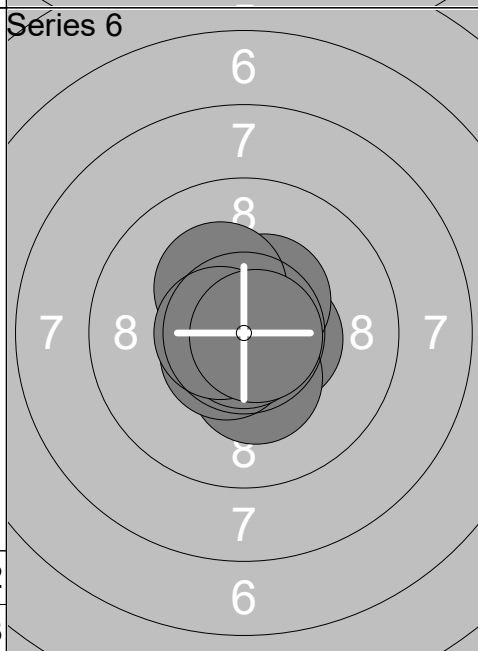
1:	10.9x ←
2:	10.5x ↓
3:	10.5x ←
4:	10.8x ↗
5:	10.6x ↓
6:	10.3x ↖
7:	10.8x ↗
8:	10.6x →
9:	10.4x ↖
10:	10.7x ←
Series	106.1
	316.5



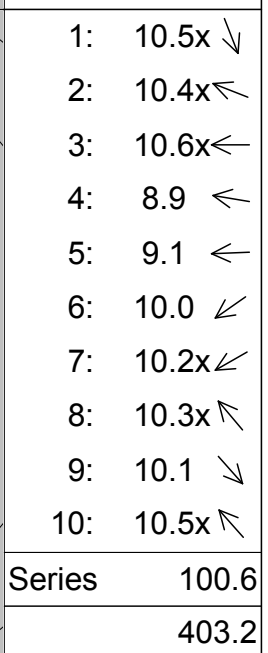
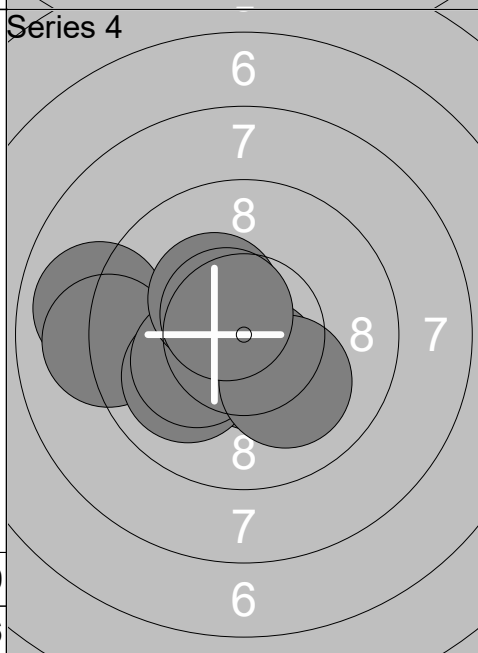
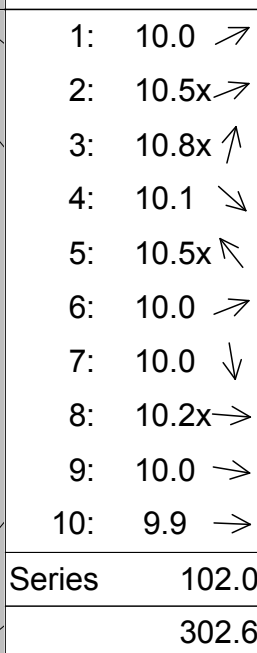
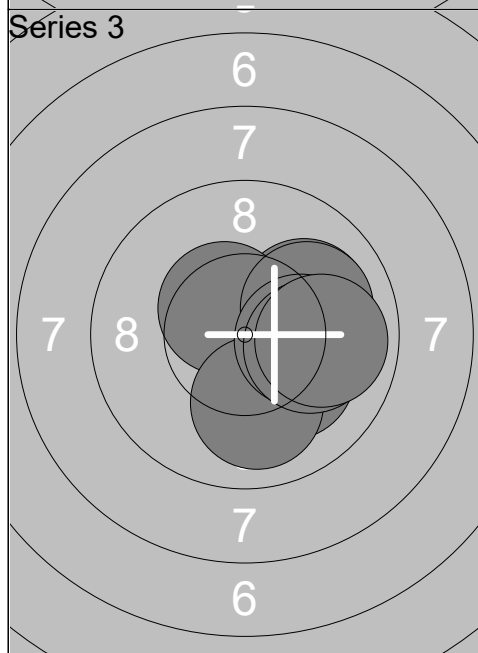
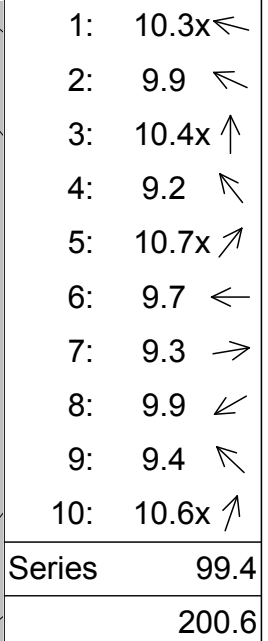
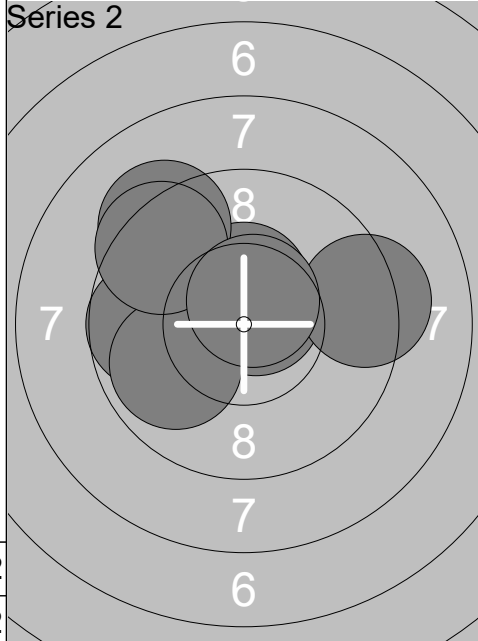
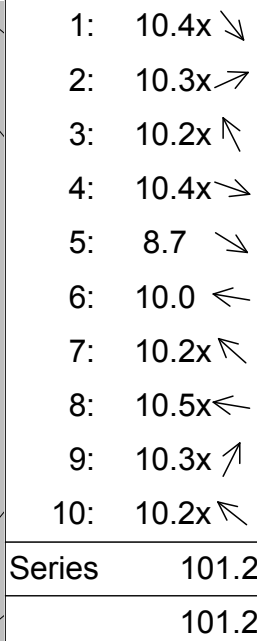
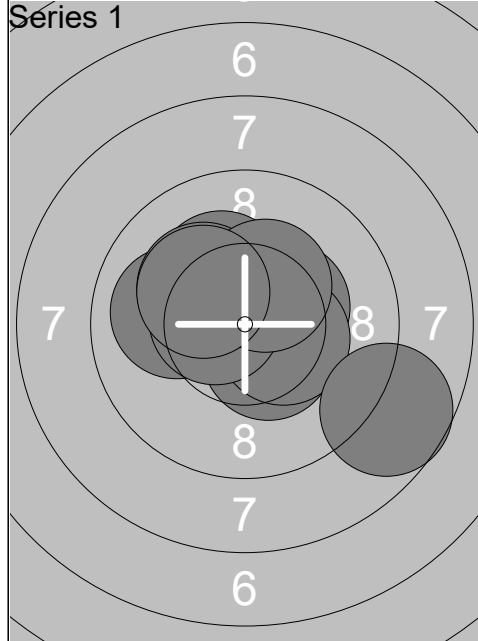
1:	10.7x ↗
2:	10.0 ↑
3:	10.6x ↓
4:	10.2x ←
5:	10.2x ↓
6:	10.5x ↗
7:	10.4x →
8:	10.0 ←
9:	10.5x ↗
10:	10.5x ↗
Series	103.6
	420.1

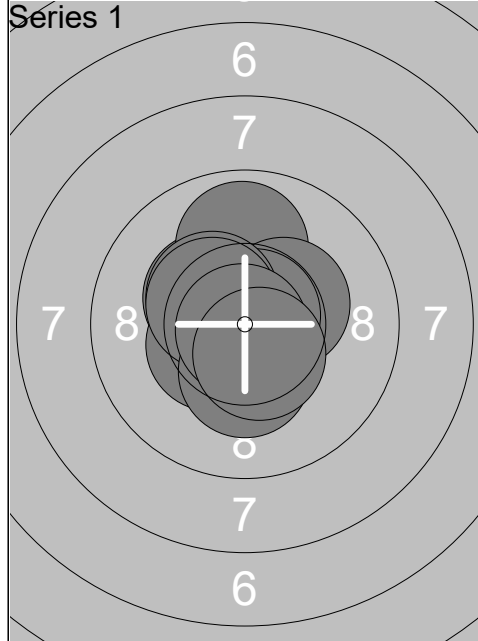


1:	10.7x ↙
2:	10.8x →
3:	10.3x ←
4:	10.4x ←
5:	10.6x ↓
6:	10.9x ↑
7:	10.6x ↑
8:	10.5x ↑
9:	10.8x ←
10:	10.6x ↓
Series	106.2
	526.3

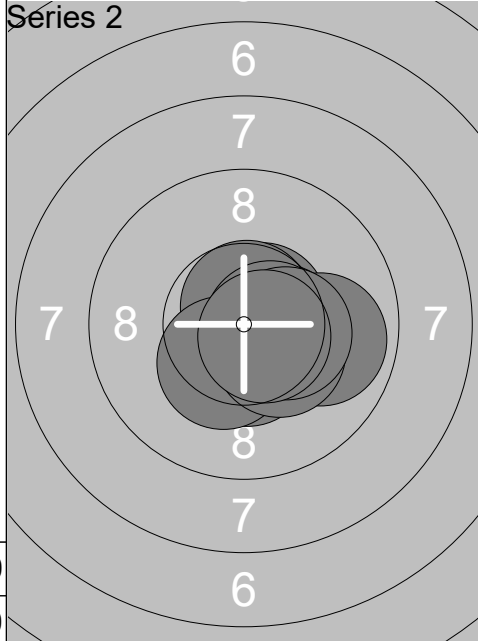


1:	10.5x →
2:	10.7x ↓
3:	10.7x ↗
4:	10.4x ↗
5:	10.2x ↖
6:	10.3x ↓
7:	10.6x ↙
8:	10.8x ↓
9:	10.6x ←
10:	10.8x →
Series	105.6
	631.9

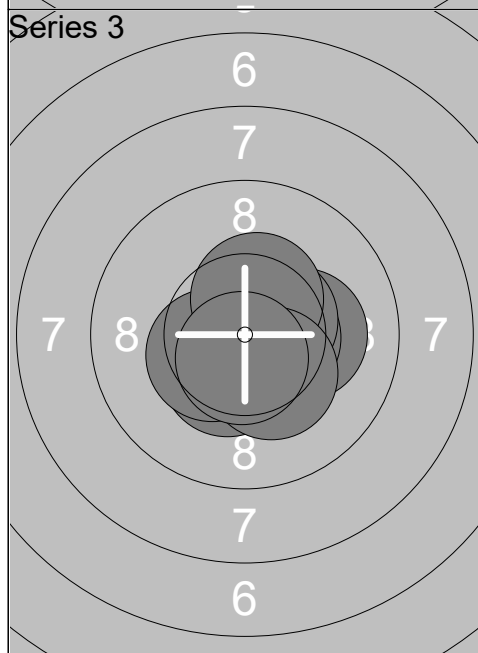




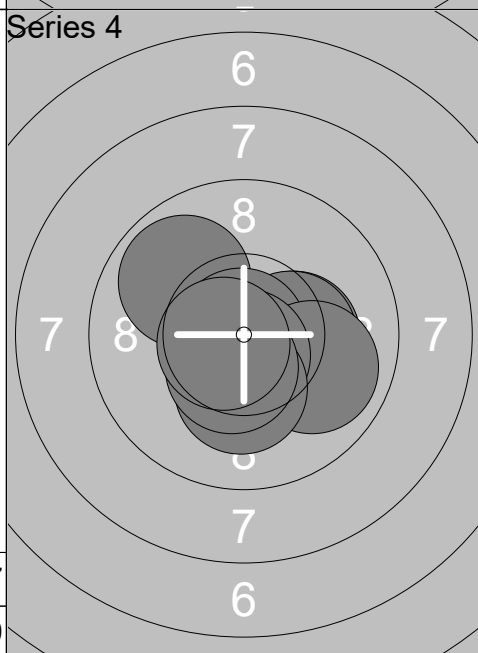
1:	10.3x ↖
2:	9.9 ↑
3:	10.3x ↗
4:	10.4x ↙
5:	10.8x ↗
6:	10.3x ↖
7:	10.4x ↖
8:	10.3x ↓
9:	10.8x ↓
10:	10.5x ↓
Series	104.0
	104.0



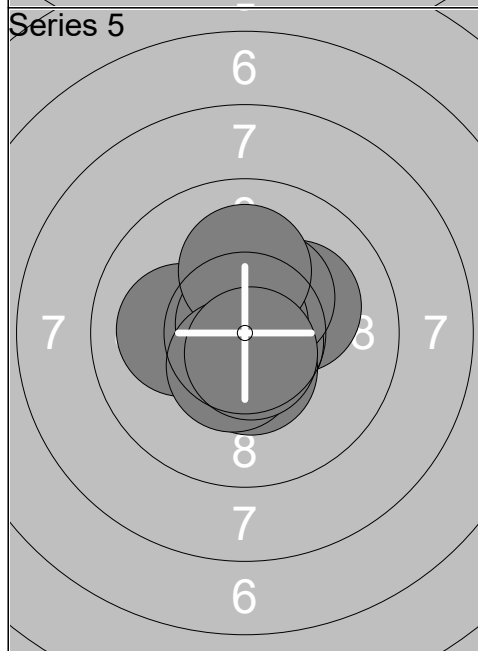
1:	10.6x ↗
2:	10.4x ↓
3:	10.4x →
4:	9.9 →
5:	10.7x ↑
6:	10.3x ↓
7:	10.6x →
8:	10.3x ↘
9:	10.4x →
10:	10.6x ↘
Series	104.2
	208.2



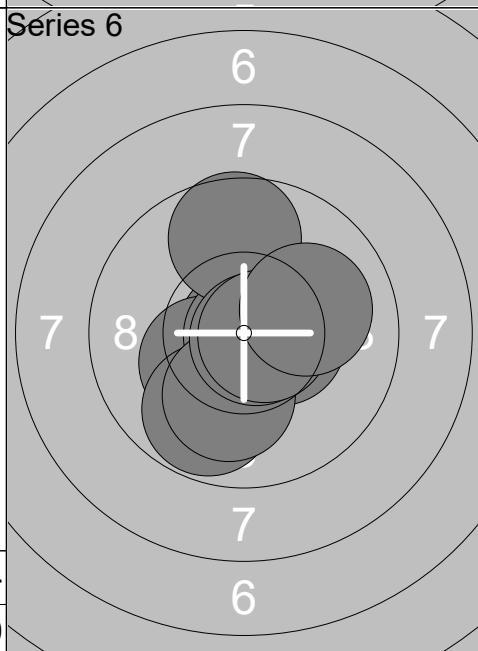
1:	10.8x →
2:	10.2x →
3:	10.5x →
4:	10.6x ↘
5:	10.4x ↓
6:	10.4x ↙
7:	10.5x ↗
8:	10.4x ↑
9:	10.3x ↘
10:	10.6x ↓
Series	104.7
	312.9



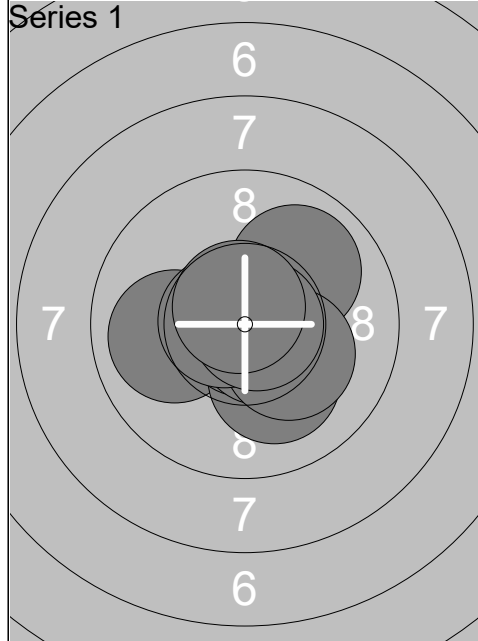
1:	10.2x →
2:	9.8 ↖
3:	10.6x ↘
4:	10.3x →
5:	10.9x ←
6:	9.9 →
7:	10.7x ↓
8:	10.2x ↓
9:	10.5x ↓
10:	10.6x ←
Series	103.7
	416.6



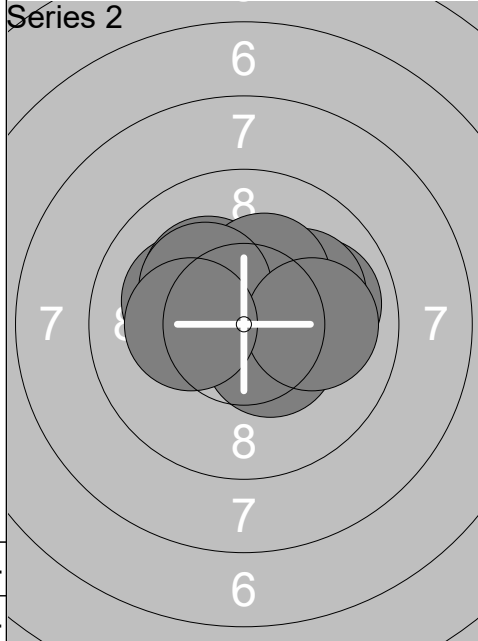
1:	10.1 ←
2:	10.2x ↗
3:	10.7x ↓
4:	10.7x ↘
5:	10.4x ↓
6:	10.3x ↗
7:	10.8x ↑
8:	10.1 ↑
9:	10.5x ↓
10:	10.6x ↓
Series	104.4
	521.0



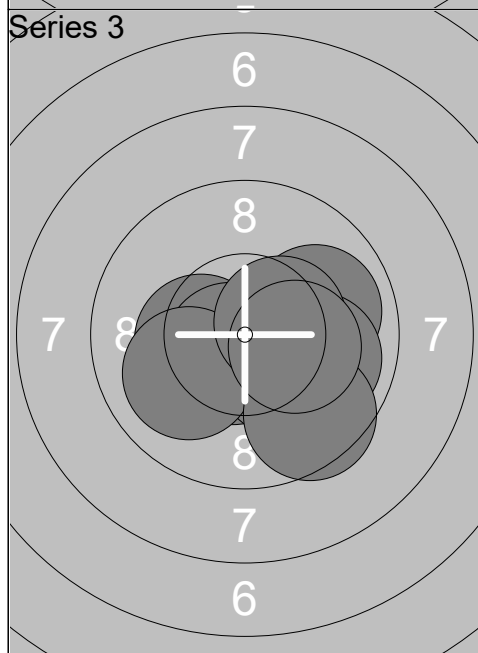
1:	10.9x
2:	10.3x ↙
3:	10.8x ↘
4:	9.8 ↓
5:	10.4x →
6:	10.1 ↓
7:	9.6 ↑
8:	10.8x ↘
9:	10.7x →
10:	10.0 →
Series	103.4
	624.4



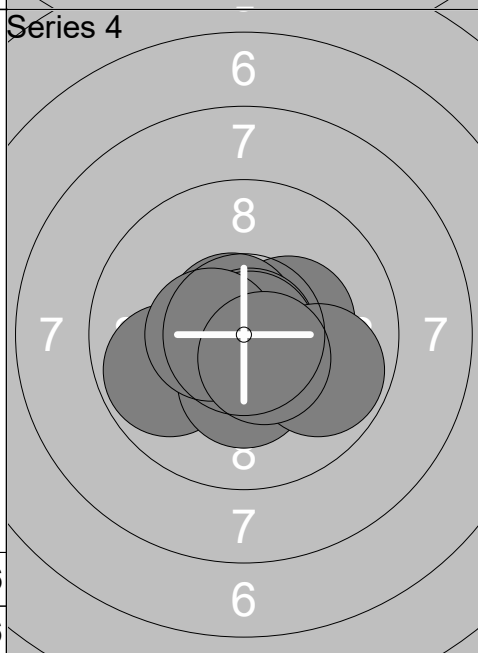
1:	10.0	←
2:	10.1	↓
3:	10.6x	↘
4:	9.9	↗
5:	10.9x	↓
6:	10.6x	↘
7:	10.2x	↘
8:	10.6x	←
9:	10.8x	→
10:	10.7x	↑
Series	104.4	
	104.4	



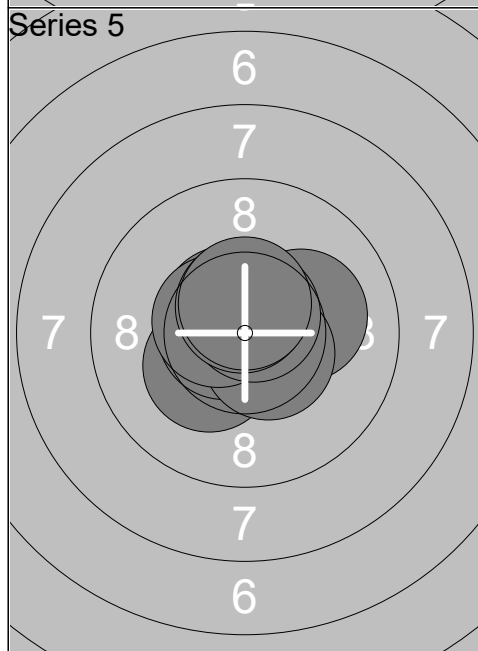
1:	10.3x	↖
2:	9.9	→
3:	10.1	←
4:	10.2x	↖
5:	10.1	↗
6:	10.2x	↗
7:	10.4x	↘
8:	10.2x	↖
9:	10.0	→
10:	10.2x	←
Series	101.6	
	206.0	



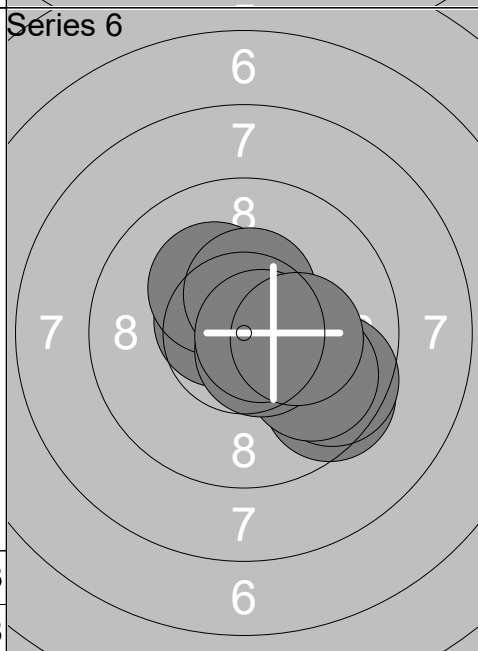
1:	9.9	→
2:	10.3x	←
3:	10.6x	↘
4:	10.6x	↘
5:	10.2x	↘
6:	9.9	→
7:	10.0	←
8:	9.5	↓
9:	10.4x	→
10:	10.2x	→
Series	101.6	
	307.6	



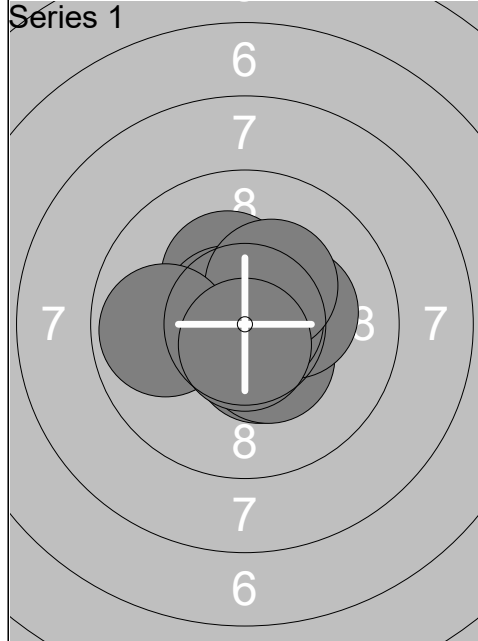
1:	9.8	←
2:	10.3x	→
3:	10.3x	→
4:	10.7x	↖
5:	10.3x	↓
6:	10.9x	→
7:	10.8x	↘
8:	9.8	↘
9:	10.5x	←
10:	10.5x	↘
Series	103.9	
	411.5	



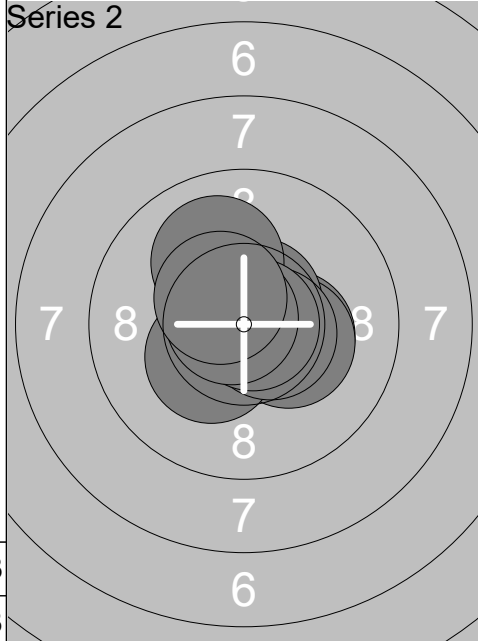
1:	10.6x	↖
2:	10.1	→
3:	10.8x	↖
4:	10.3x	↘
5:	10.7x	←
6:	10.5x	↘
7:	10.5x	←
8:	10.7x	↗
9:	10.6x	↑
10:	10.5x	↑
Series	105.3	
	516.8	



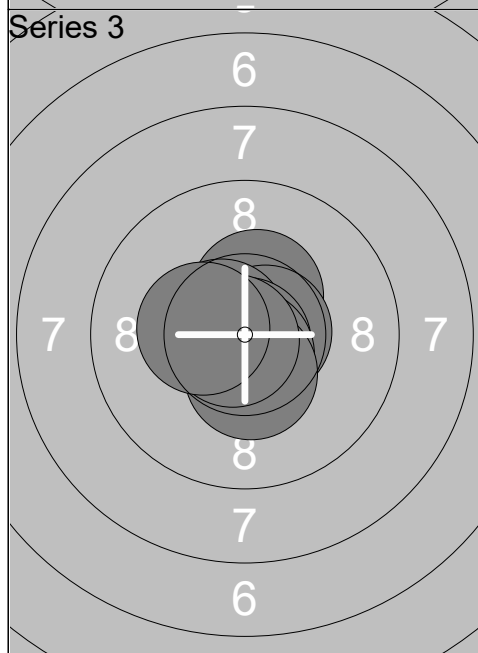
1:	9.5	↘
2:	9.6	↘
3:	10.6x	↖
4:	9.8	↘
5:	10.3x	→
6:	10.2x	↖
7:	10.4x	↑
8:	10.6x	↘
9:	10.7x	→
10:	10.2x	→
Series	101.9	
	618.7	



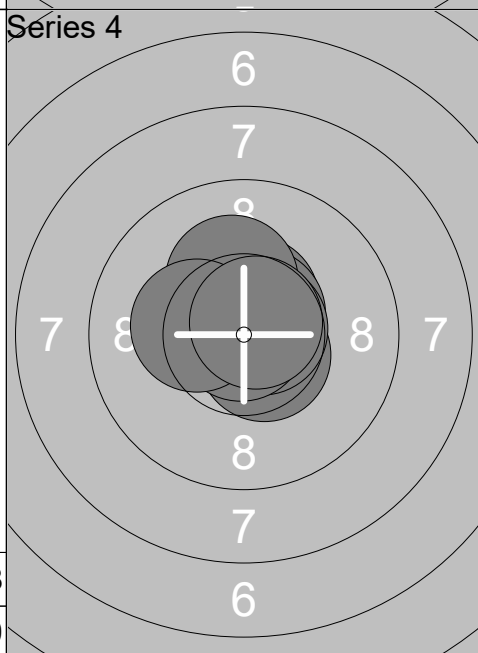
1:	10.4x ↘
2:	10.8x ←
3:	10.4x ↘
4:	10.2x →
5:	10.3x ↑
6:	10.6x ↙
7:	10.8x →
8:	10.3x ↗
9:	9.8 ←
10:	10.7x ↓
Series	104.3
	104.3



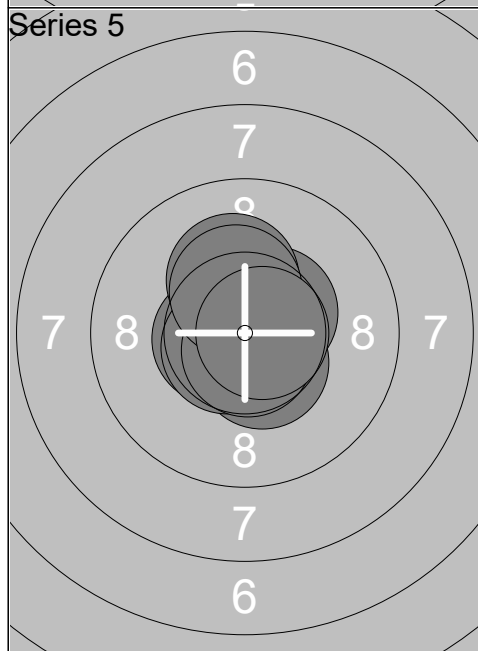
1:	10.3x →
2:	10.3x →
3:	10.8x ↘
4:	10.3x ↙
5:	10.6x ↗
6:	10.6x →
7:	10.0 ↑
8:	10.8x →
9:	10.8x ↙
10:	10.4x ↙
Series	104.9
	209.2



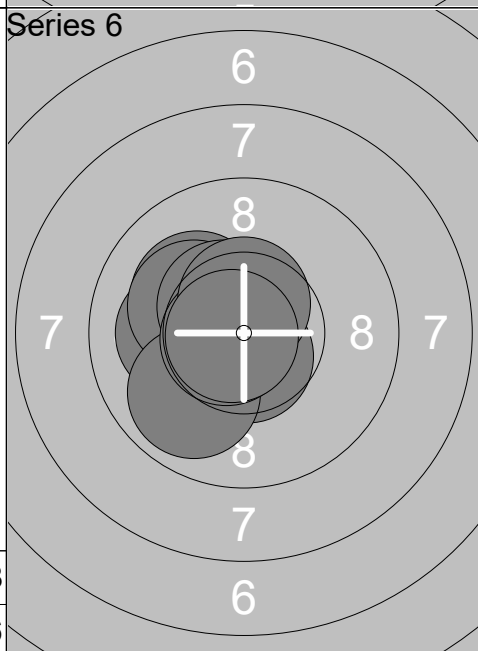
1:	10.6x ←
2:	10.4x ↑
3:	10.7x ←
4:	10.6x →
5:	10.6x ↙
6:	10.8x ↓
7:	10.6x ↓
8:	10.4x ↓
9:	10.7x ←
10:	10.4x ←
Series	105.8
	315.0



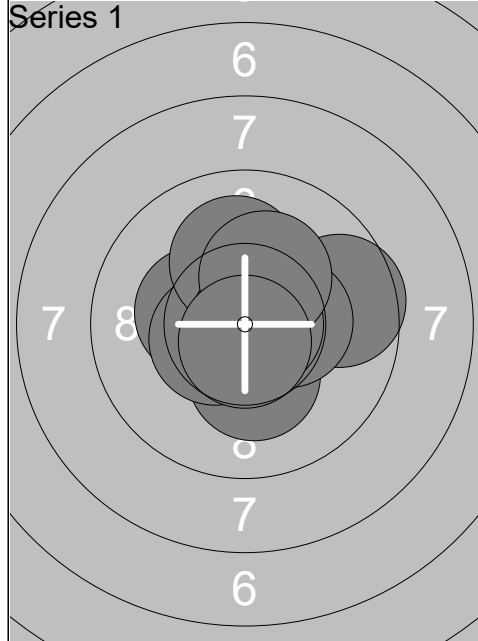
1:	10.6x ↑
2:	10.5x ↘
3:	10.5x ↑
4:	10.6x ↗
5:	10.8x ↑
6:	10.7x →
7:	10.2x ↑
8:	10.9x ←
9:	10.3x ←
10:	10.7x ↗
Series	105.8
	420.8



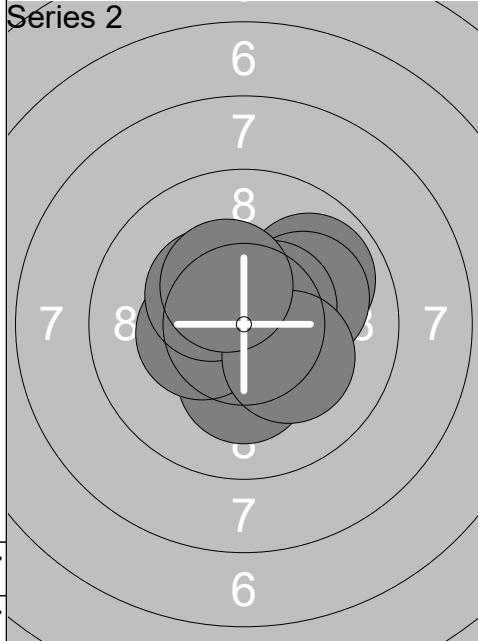
1:	10.9x
2:	10.5x ←
3:	10.5x ↗
4:	10.8x →
5:	10.5x ↘
6:	10.6x ↙
7:	10.7x ↓
8:	10.2x ↑
9:	10.4x ↑
10:	10.7x →
Series	105.8
	526.6



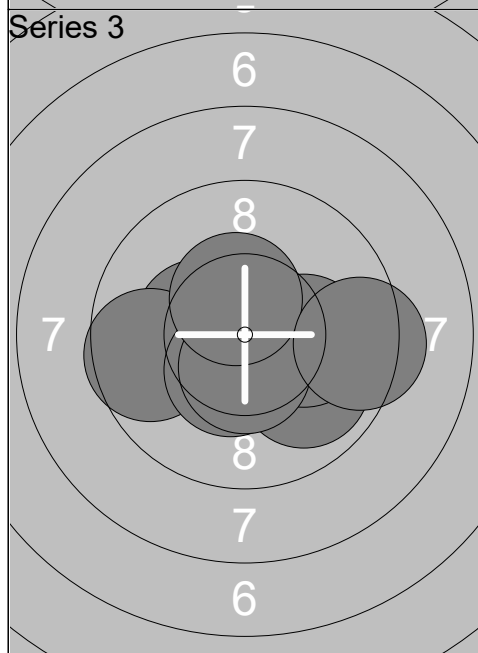
1:	10.1 ←
2:	10.6x ↓
3:	10.1 ↙
4:	10.2x ↙
5:	10.7x ↙
6:	10.5x ↙
7:	9.9 ↙
8:	10.7x ←
9:	10.5x ↑
10:	10.8x ←
Series	104.1
	630.7



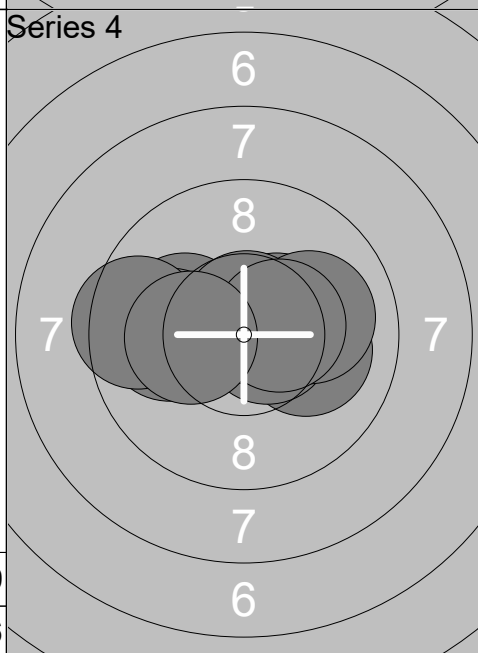
1:	10.8x	←
2:	10.3x	↓
3:	9.6	→
4:	10.3x	←
5:	10.5x	←
6:	10.1	↑
7:	10.4x	→
8:	10.8x	→
9:	10.2x	↗
10:	10.7x	↓
Series	103.7	
	103.7	



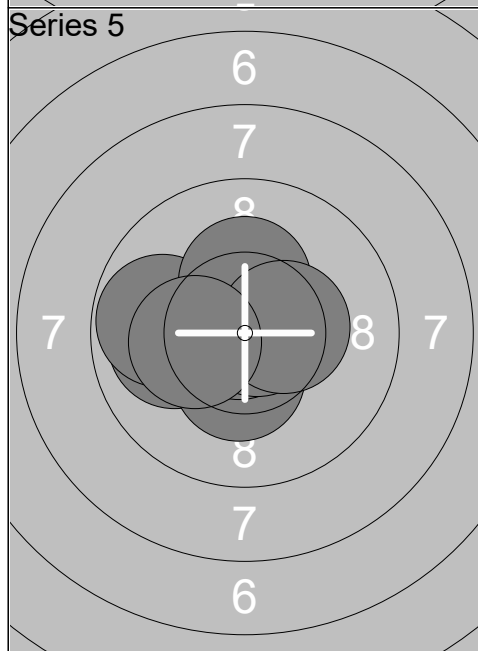
1:	9.9	↗
2:	10.6x	←
3:	10.6x	↘
4:	10.1	↗
5:	10.5x	↗
6:	10.2x	↓
7:	10.3x	←
8:	10.3x	↖
9:	10.2x	↘
10:	10.3x	↖
Series	103.0	
	206.7	



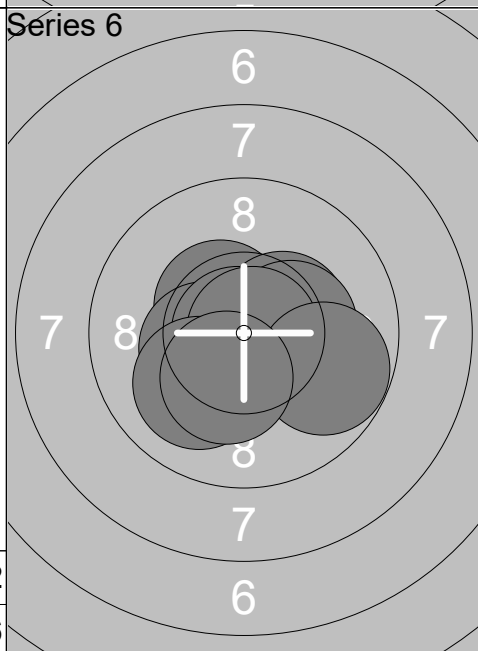
1:	10.3x	←
2:	10.7x	→
3:	9.9	↘
4:	10.6x	↘
5:	10.1	→
6:	9.6	←
7:	10.4x	↘
8:	10.5x	↓
9:	10.4x	↗
10:	9.4	→
Series	101.9	
	308.6	



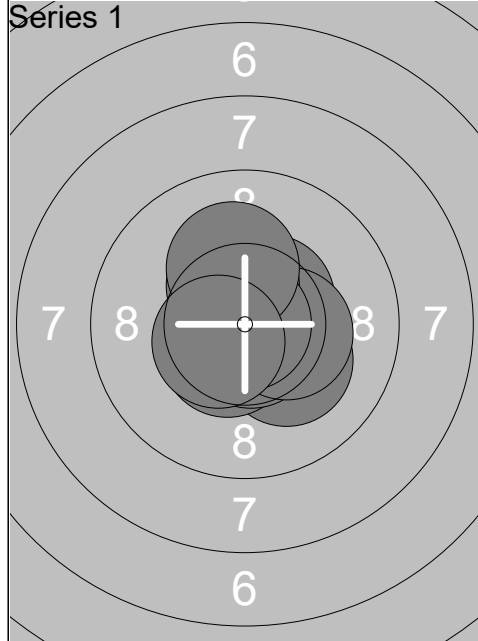
1:	10.1	←
2:	10.4x	↗
3:	10.0	→
4:	10.6x	→
5:	10.0	→
6:	10.7x	↑
7:	10.4x	→
8:	9.9	←
9:	9.5	←
10:	10.2x	←
Series	101.8	
	410.4	



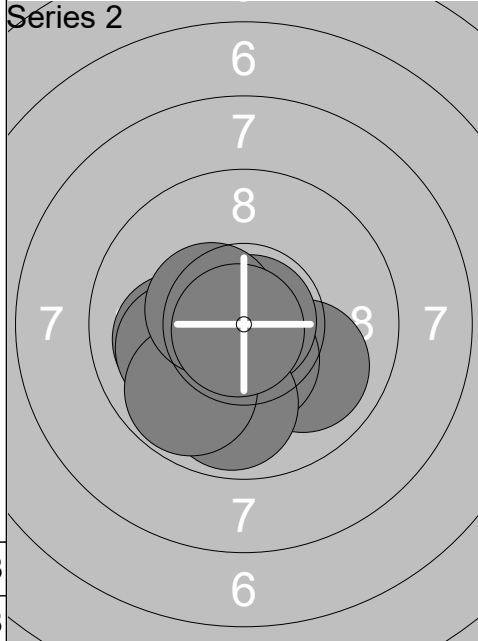
1:	10.5x	←
2:	10.9x	←
3:	10.0	←
4:	10.4x	↓
5:	9.8	←
6:	10.9x	←
7:	10.8x	→
8:	10.3x	↑
9:	10.4x	→
10:	10.2x	←
Series	104.2	
	514.6	



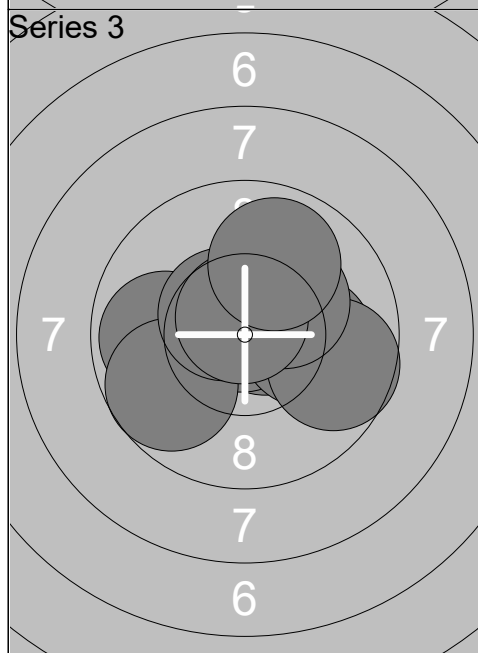
1:	10.4x	↖
2:	10.4x	↗
3:	10.3x	→
4:	10.4x	←
5:	10.8x	↓
6:	10.8x	←
7:	10.8x	→
8:	9.7	↘
9:	10.0	↘
10:	10.3x	↓
Series	103.9	
	618.5	



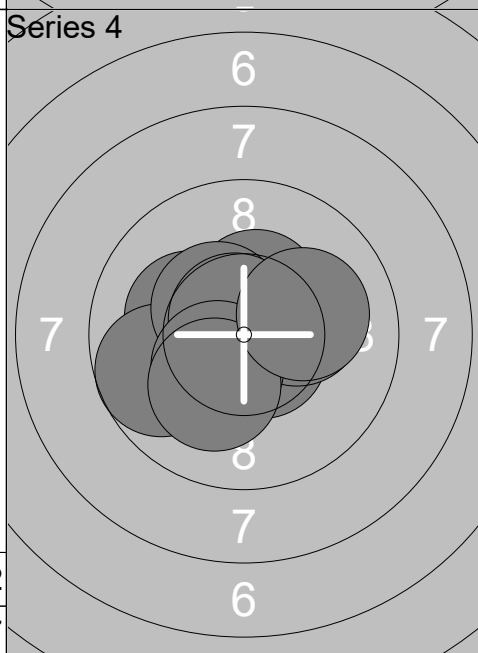
1:	10.2x ↘
2:	10.5x ↘
3:	10.7x ↘
4:	10.6x ↗
5:	10.5x ↗
6:	10.4x →
7:	10.4x ↑
8:	10.9x
9:	10.1 ↑
10:	10.5x ↙
Series	104.8
	104.8



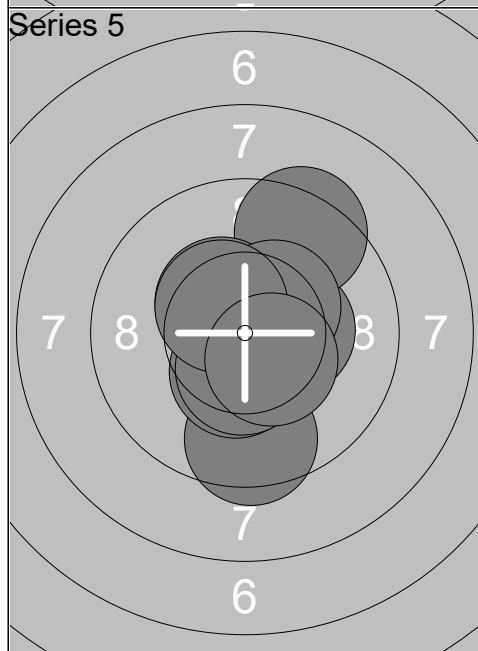
1:	9.9 ↘
2:	10.4x ↘
3:	10.8x ↗
4:	10.0 ←
5:	9.8 ↓
6:	10.0 ←
7:	10.7x ←
8:	9.8 ↘
9:	10.5x ↙
10:	10.8x ↙
Series	102.7
	207.5



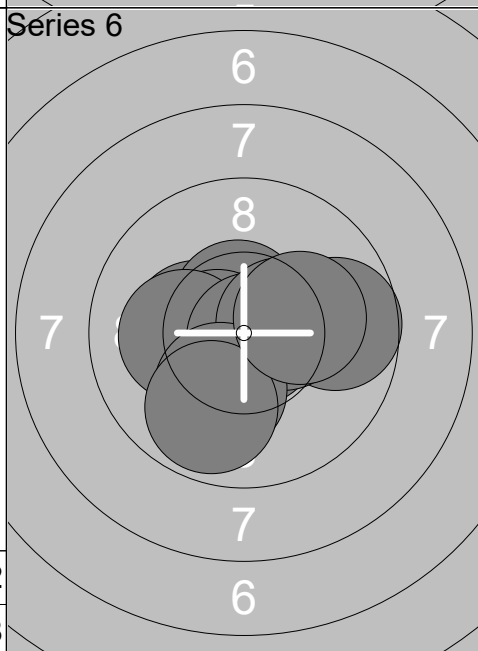
1:	10.6x →
2:	9.9 ←
3:	10.8x ↑
4:	10.1 →
5:	9.7 →
6:	9.7 ←
7:	10.5x ↗
8:	10.3x ↗
9:	10.7x ↑
10:	9.9 ↑
Series	102.2
	309.7



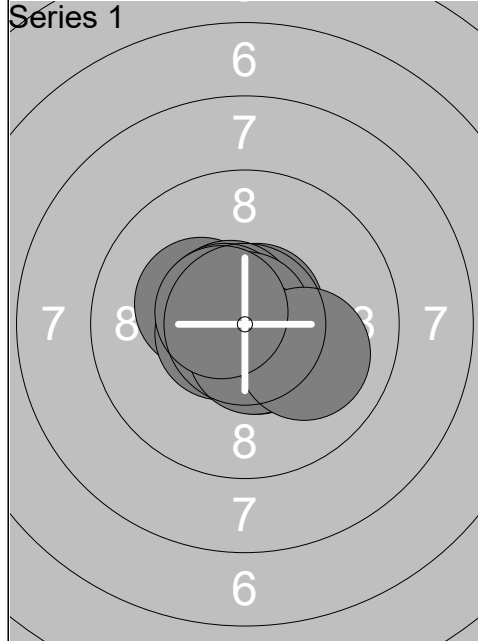
1:	10.2x ←
2:	9.7 ←
3:	10.4x ↑
4:	10.6x ↘
5:	10.2x →
6:	10.4x ↗
7:	10.7x ↗
8:	10.4x ↘
9:	10.2x ↘
10:	10.1 →
Series	102.9
	412.6



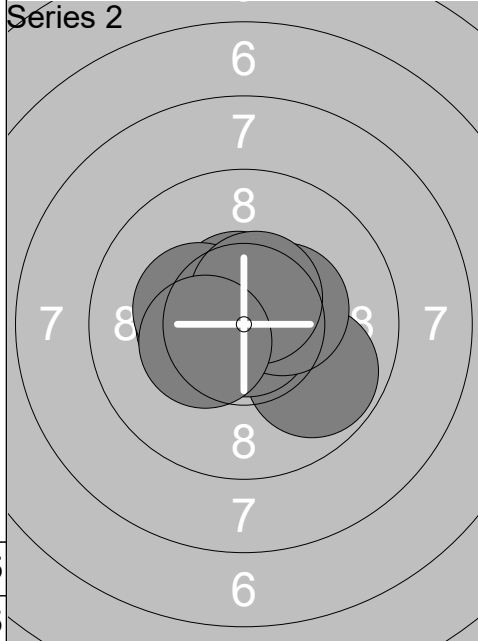
1:	9.5 ↓
2:	10.4x ↘
3:	10.4x ↘
4:	10.6x ↗
5:	10.3x →
6:	9.4 ↗
7:	10.4x ↗
8:	10.4x ↗
9:	10.4x ↗
10:	10.4x ↘
Series	102.2
	514.8



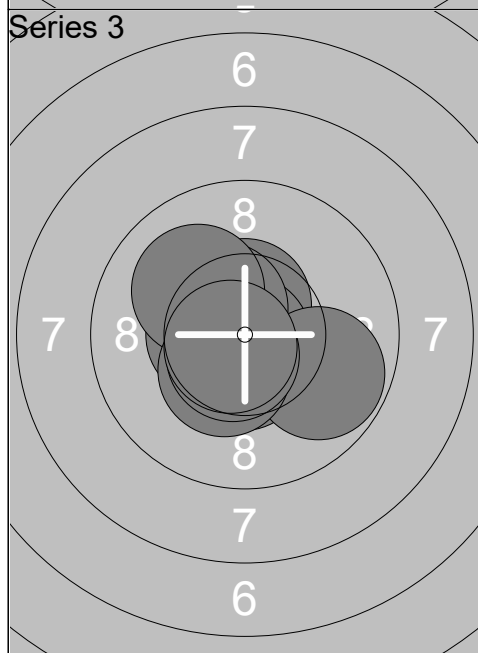
1:	10.3x ←
2:	10.6x ↑
3:	9.7 →
4:	10.6x ←
5:	10.1 ←
6:	10.8x ↘
7:	10.4x →
8:	10.1 ↓
9:	9.8 ↓
10:	10.1 →
Series	102.5
	617.3



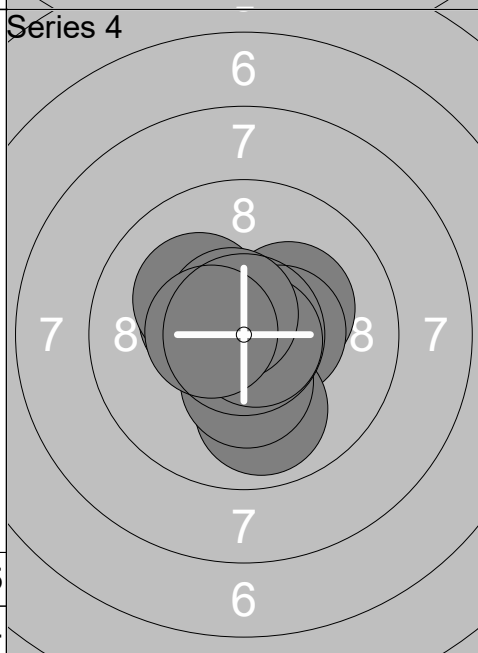
1:	10.7x ↗
2:	10.3x ↖
3:	10.6x ↗
4:	10.6x ↘
5:	10.6x ↖
6:	10.9x ↑
7:	10.6x ↙
8:	10.6x ↘
9:	10.0 ↘
10:	10.6x ↖
Series	105.5
	105.5



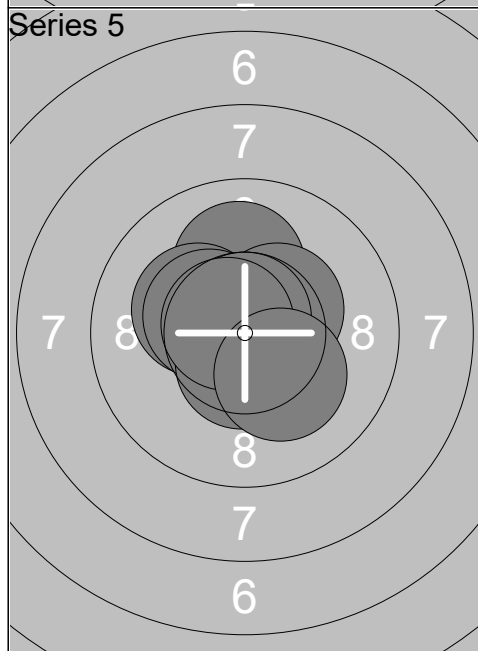
1:	10.5x →
2:	10.5x ↑
3:	10.9x ↗
4:	9.8 ↘
5:	10.8x ↘
6:	10.4x →
7:	10.4x ↙
8:	10.3x ↖
9:	10.5x ↗
10:	10.3x ↙
Series	104.4
	209.9



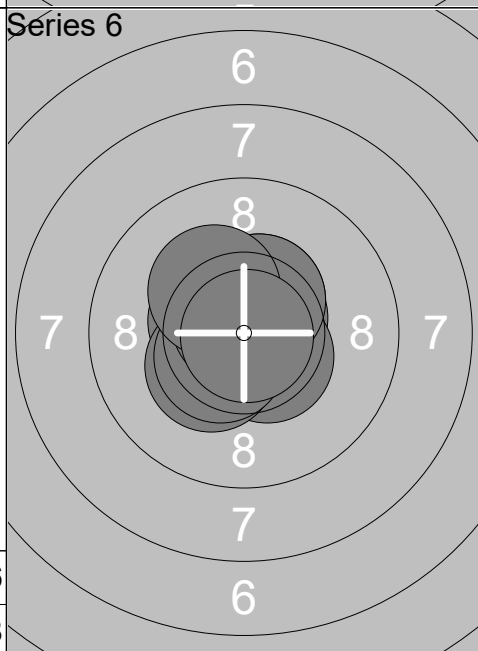
1:	10.5x ↘
2:	10.5x ↑
3:	10.9x ↘
4:	10.5x ↗
5:	10.5x ↙
6:	9.8 ↘
7:	10.1 ↗
8:	10.4x ↘
9:	10.6x ↘
10:	10.7x ↙
Series	104.5
	314.4



1:	10.2x ↗
2:	10.4x →
3:	9.9 ↘
4:	10.8x ↖
5:	10.3x ↘
6:	10.7x →
7:	10.3x ↖
8:	10.1 ↖
9:	10.6x ↗
10:	10.5x ↙
Series	103.8
	418.2



1:	10.8x ↘
2:	10.7x ↑
3:	10.0 ↑
4:	10.2x ↖
5:	10.4x ↖
6:	10.4x ↗
7:	10.5x ↘
8:	10.7x ↑
9:	10.7x ↖
10:	10.2x ↘
Series	104.6
	522.8



1:	10.5x ↖
2:	10.4x ↗
3:	10.6x ↗
4:	10.5x ↘
5:	10.3x ↙
6:	10.5x ↙
7:	10.7x ↗
8:	10.5x ↗
9:	10.2x ↗
10:	10.9x ↘
Series	105.1
	627.9