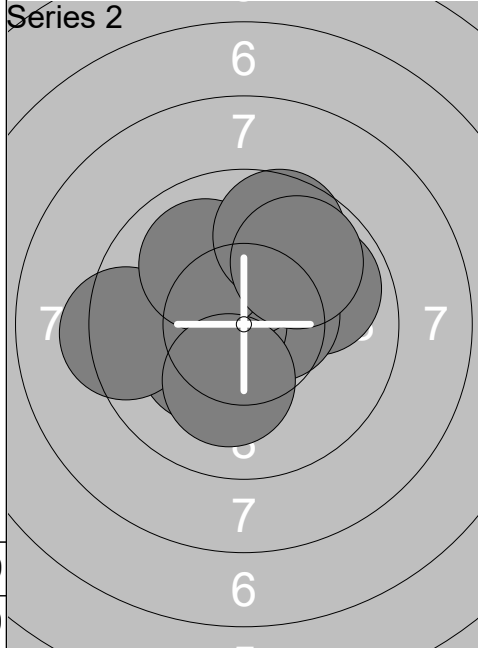
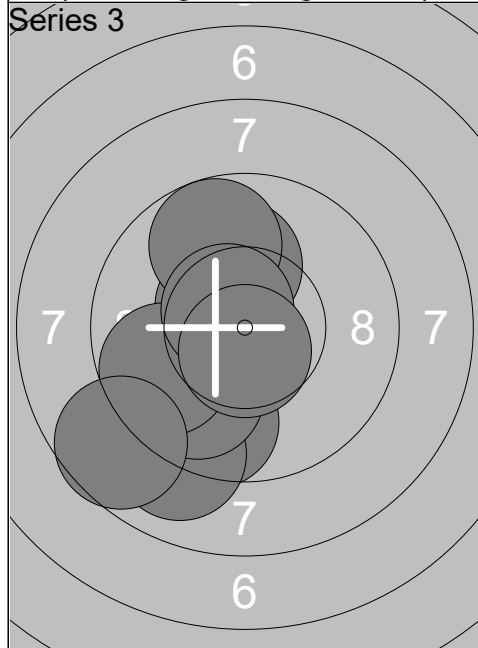


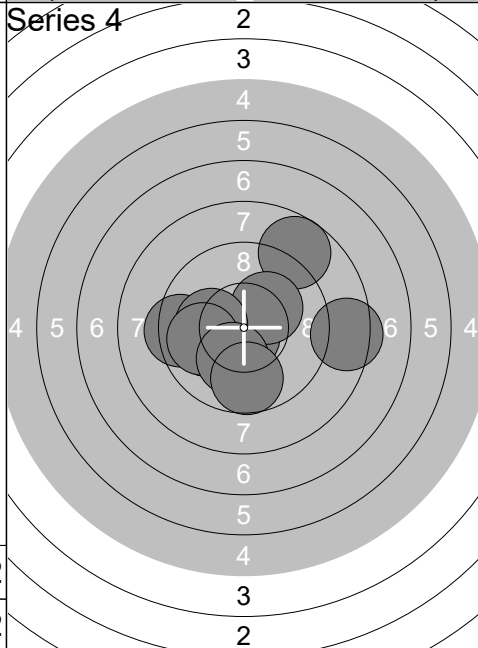
1: 10.0	←
2: 10.7x	↓
3: 10.2x	↓
4: 7.6	←
5: 9.8	←
6: 8.0	←
7: 9.4	↓
8: 10.0	→
9: 9.7	↓
10: 8.5	↗
Series	93.9
	93.9



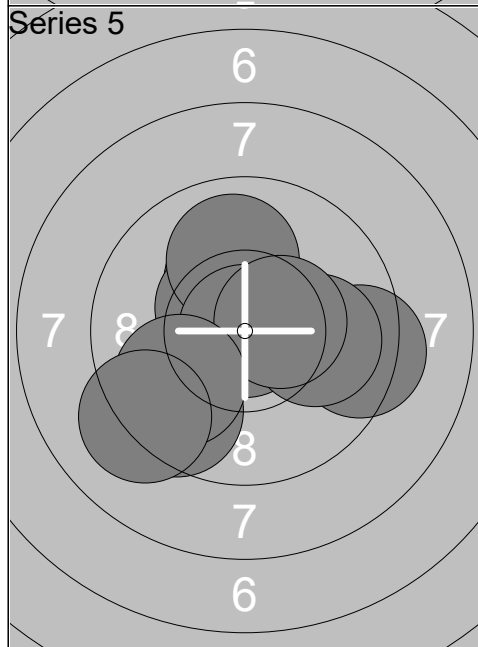
1: 10.2x	↙
2: 9.8	→
3: 10.5x	→
4: 10.6x	←
5: 10.2x	↑
6: 9.3	←
7: 10.0	↖
8: 9.6	↑
9: 9.8	↗
10: 10.1	↓
Series	100.1
	194.0



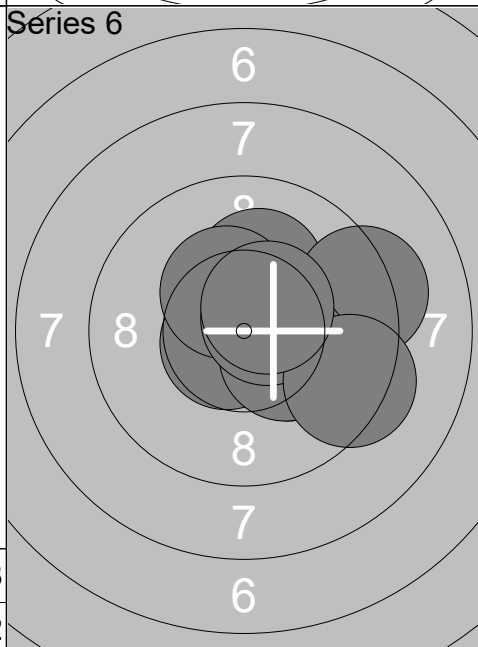
1: 9.6	↓
2: 9.0	↓
3: 9.8	↓
4: 10.5x	↖
5: 9.7	←
6: 10.1	↑
7: 9.7	↖
8: 10.6x	↖
9: 10.6x	↓
10: 8.6	↙
Series	98.2
	292.2



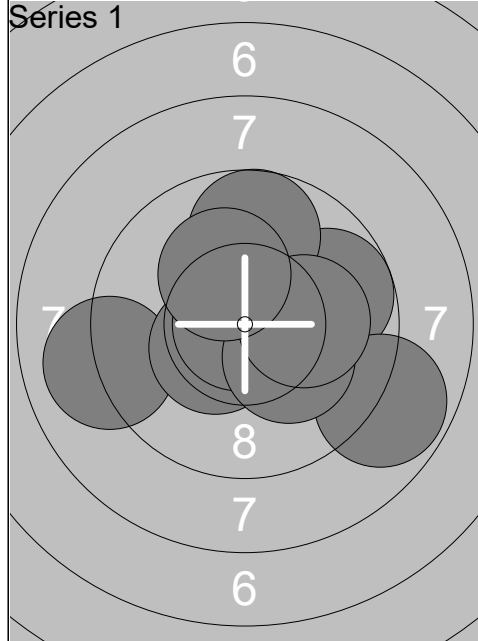
1: 10.7x	↓
2: 9.4	←
3: 8.7	↗
4: 10.0	←
5: 8.4	→
6: 10.2x	↗
7: 10.1	←
8: 9.9	←
9: 10.1	↓
10: 9.7	↓
Series	97.2
	389.4



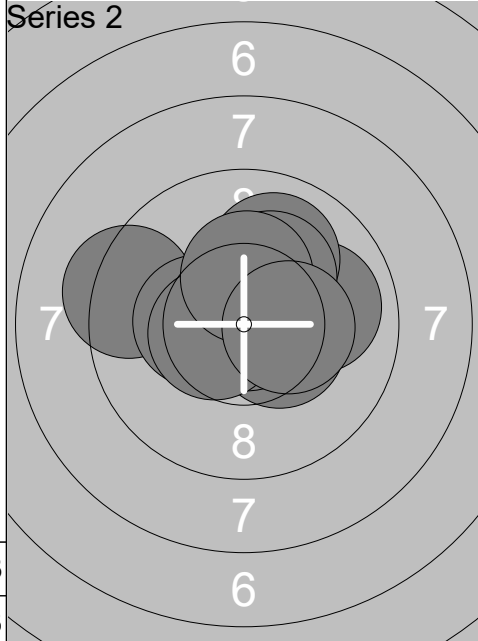
1: 10.2x	↑
2: 10.5x	↖
3: 9.4	→
4: 9.9	↑
5: 10.9x	
6: 10.0	→
7: 9.5	↓
8: 10.5x	→
9: 9.8	↙
10: 9.1	↙
Series	99.8
	489.2



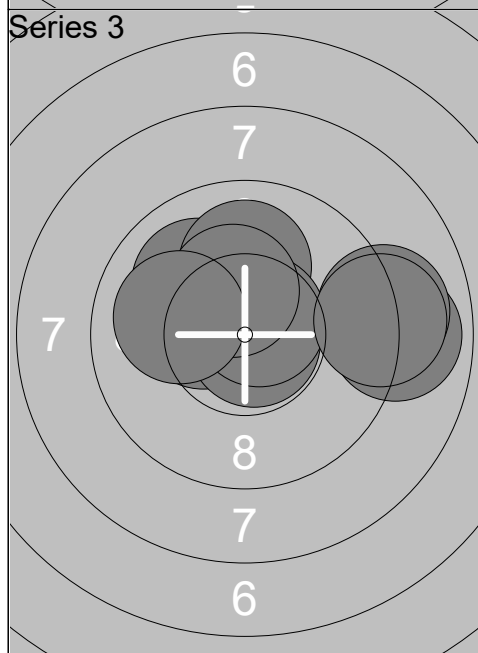
1: 10.5x	→
2: 10.7x	↙
3: 10.3x	→
4: 10.1	↑
5: 10.4x	↖
6: 9.2	→
7: 10.3x	→
8: 10.6x	→
9: 9.3	→
10: 10.5x	↗
Series	101.9
	591.1



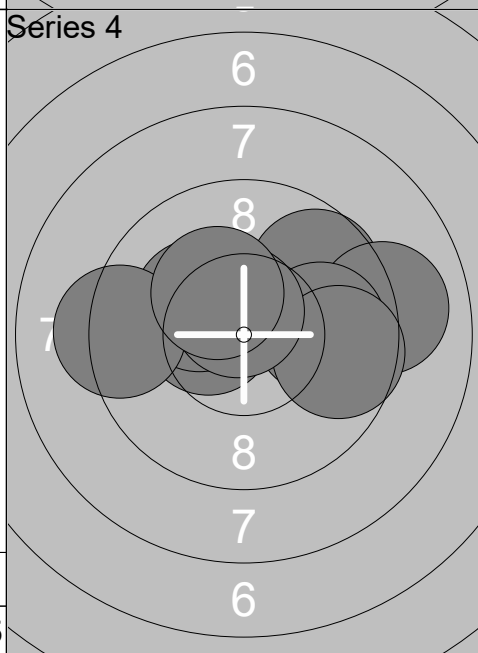
1:	10.3x ↗
2:	9.0 ←
3:	9.7 →
4:	8.8 ↘
5:	10.4x ↙
6:	10.9x ←
7:	10.2x ↘
8:	9.7 ↑
9:	10.1 →
10:	10.2x ↗
Series	99.3
	99.3



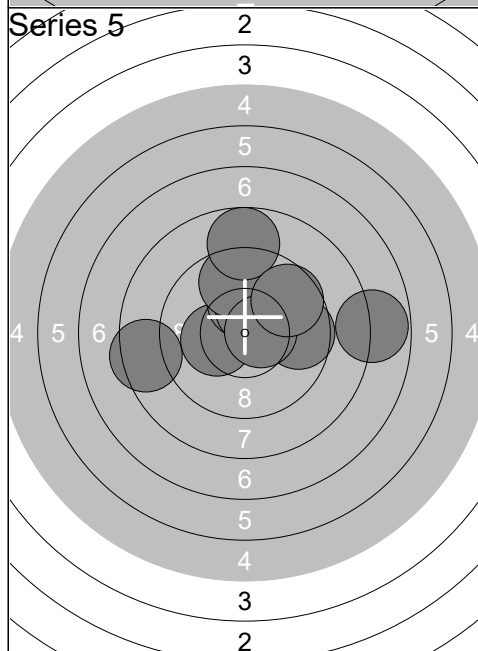
1:	10.4x ↘
2:	9.9 →
3:	10.0 ↗
4:	9.3 ←
5:	10.3x ←
6:	10.9x →
7:	10.5x ←
8:	10.2x ↗
9:	10.3x ↑
10:	10.3x →
Series	102.1
	201.4



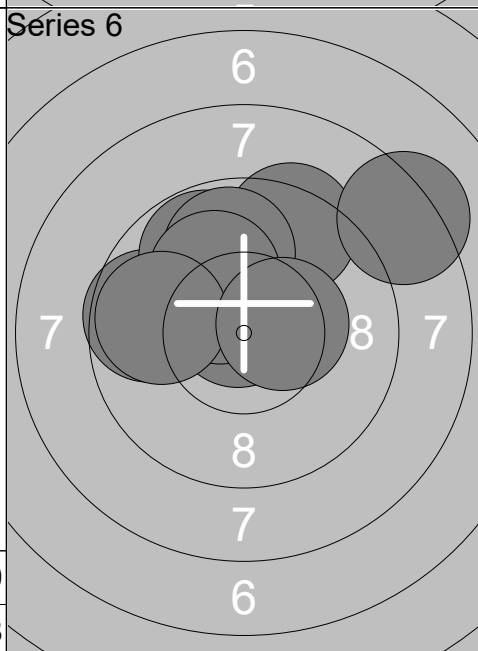
1:	10.0 ↖
2:	10.0 ↑
3:	10.3x ←
4:	8.9 →
5:	9.0 →
6:	10.8x ↘
7:	10.7x ↗
8:	9.1 →
9:	10.3x ↑
10:	10.0 ←
Series	99.1
	300.5



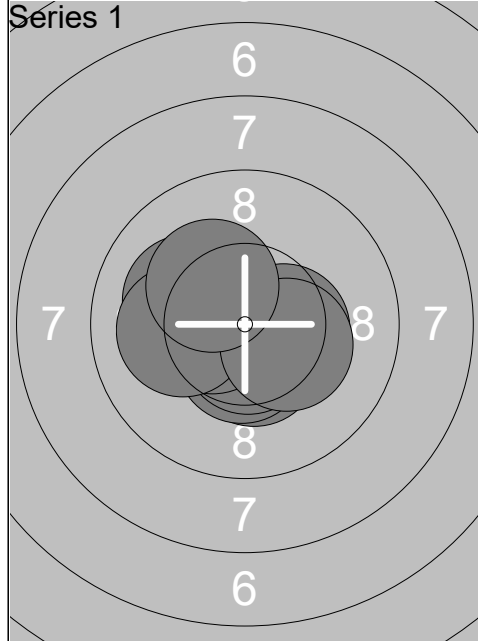
1:	9.7 ↗
2:	10.4x ↖
3:	9.0 →
4:	9.9 →
5:	9.6 →
6:	10.4x ←
7:	10.2x ↖
8:	9.2 ←
9:	10.6x ↑
10:	10.3x ↖
Series	99.3
	399.8



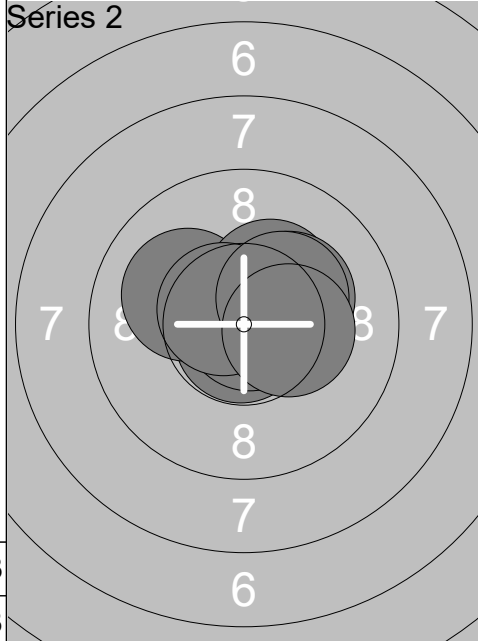
1:	10.2x ←
2:	10.2x ↑
3:	10.3x ↑
4:	9.6 →
5:	7.8 →
6:	9.7 ↑
7:	8.7 ↑
8:	10.5x →
9:	8.4 ←
10:	9.6 ↗
Series	95.0
	494.8



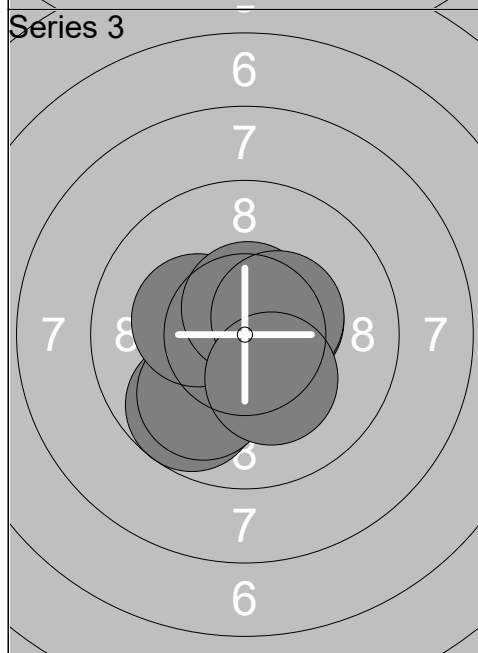
1:	10.8x ↖
2:	9.6 ←
3:	9.4 ↗
4:	9.8 ↖
5:	10.3x ↖
6:	9.8 ↑
7:	10.1 ↖
8:	8.3 ↗
9:	9.8 ←
10:	10.4x →
Series	98.3
	593.1



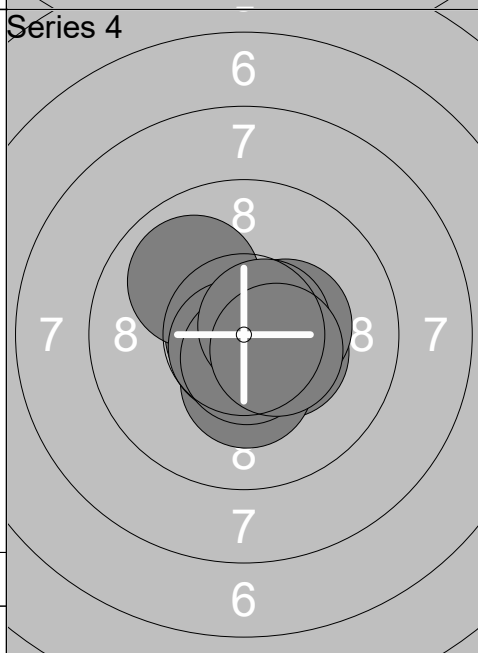
1:	10.2x ↙
2:	10.4x ↓
3:	10.5x ↓
4:	10.6x ↓
5:	10.1 ↖
6:	10.5x ↖
7:	10.1 ←
8:	10.4x →
9:	10.3x →
10:	10.2x ↘
Series	103.3
	103.3



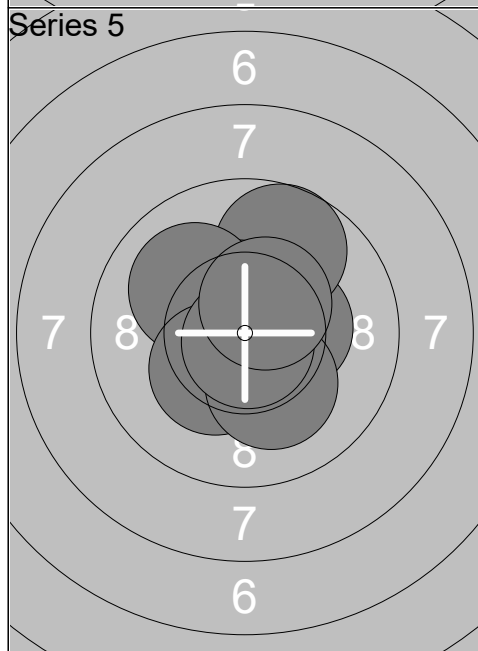
1:	10.8x ↓
2:	10.1 ↖
3:	10.6x ↗
4:	10.7x ↗
5:	10.8x →
6:	10.3x ↗
7:	10.6x ↖
8:	10.2x →
9:	10.3x ↗
10:	10.3x →
Series	104.7
	208.0



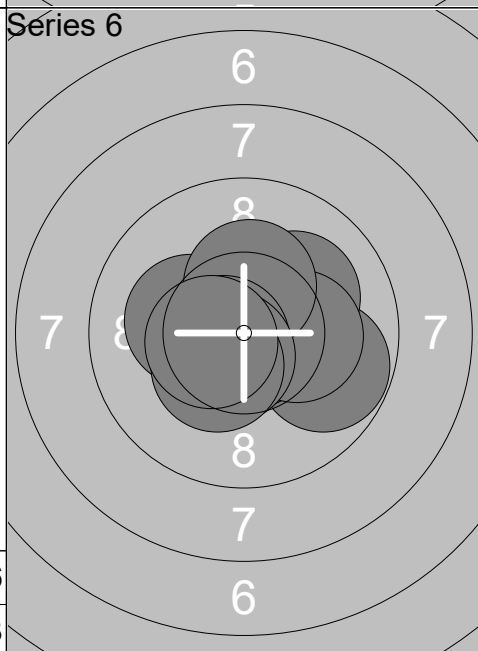
1:	10.4x →
2:	10.6x ↘
3:	10.4x ↖
4:	9.7 ↓
5:	10.7x ↖
6:	9.9 ↓
7:	10.2x ↖
8:	10.6x ↑
9:	10.4x →
10:	10.2x ↓
Series	103.1
	311.1



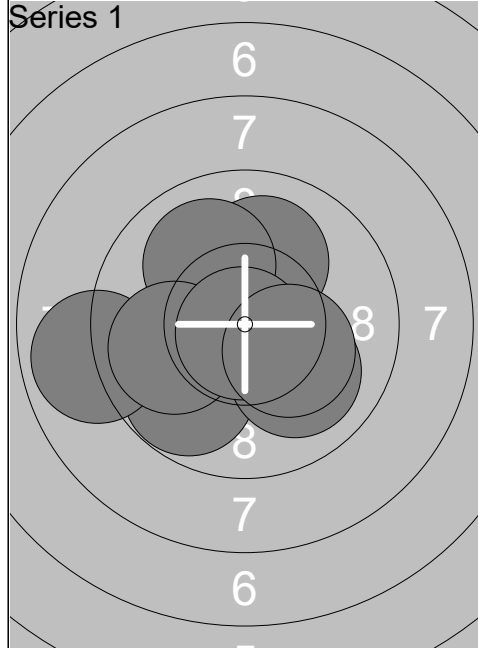
1:	10.8x ↖
2:	10.4x →
3:	9.9 ↖
4:	10.5x →
5:	10.3x ↓
6:	10.7x ↘
7:	10.4x →
8:	10.6x ↓
9:	10.6x →
10:	10.4x →
Series	104.6
	415.7



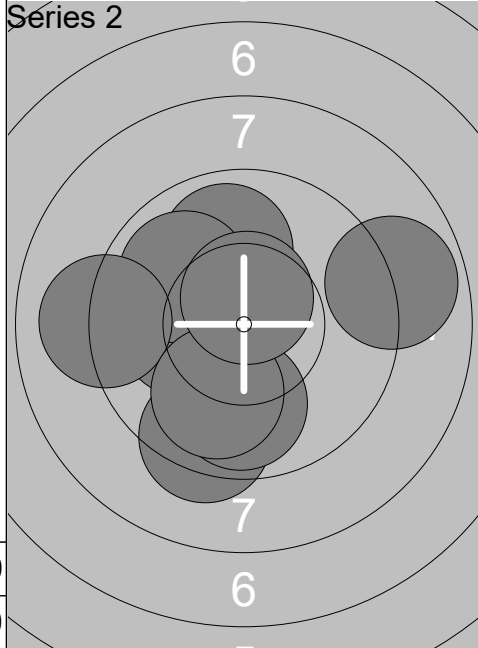
1:	10.3x →
2:	9.7 ↗
3:	10.7x ↓
4:	10.6x ↑
5:	10.6x ↖
6:	10.0 ↖
7:	10.3x ↘
8:	10.1 ↓
9:	10.8x ↓
10:	10.5x ↗
Series	103.6
	519.3



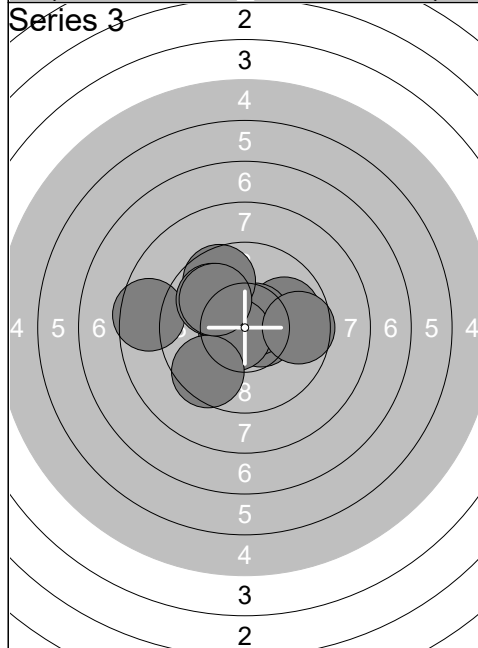
1:	9.8 →
2:	10.8x ↓
3:	10.1 ↗
4:	10.2x ↖
5:	10.2x →
6:	10.3x ↑
7:	10.6x ↖
8:	10.6x ↘
9:	10.4x ↘
10:	10.5x ↖
Series	103.5
	622.8



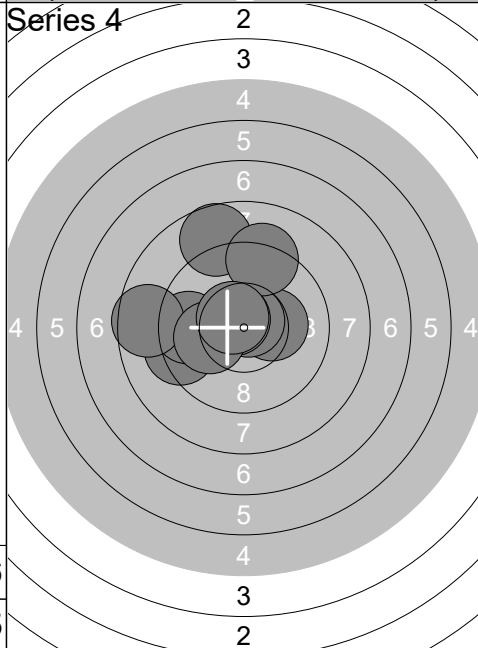
1:	10.8x ↗
2:	10.1 ↗
3:	10.5x ↖
4:	9.8 ↘
5:	8.9 ←
6:	10.0 ↗
7:	9.9 ←
8:	10.0 ↘
9:	10.8x ↘
10:	10.2x ↘
Series	101.0
	101.0



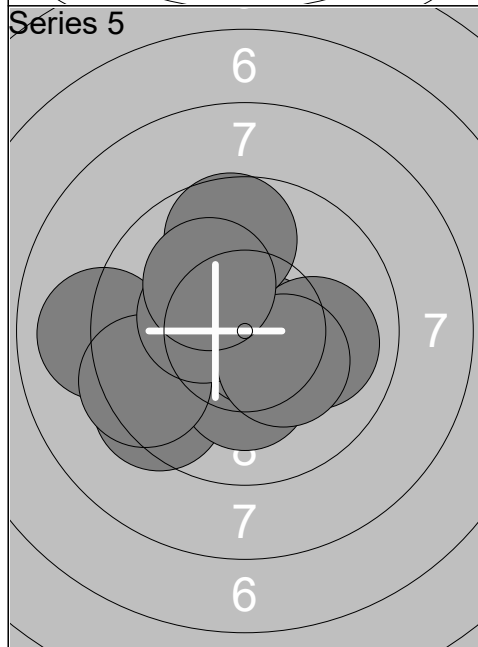
1:	10.1 ←
2:	9.9 ↗
3:	10.4x ↖
4:	9.9 ↖
5:	9.1 ←
6:	9.3 ↘
7:	9.8 ↘
8:	9.9 ↘
9:	10.6x ↗
10:	8.9 →
Series	97.9
	198.9



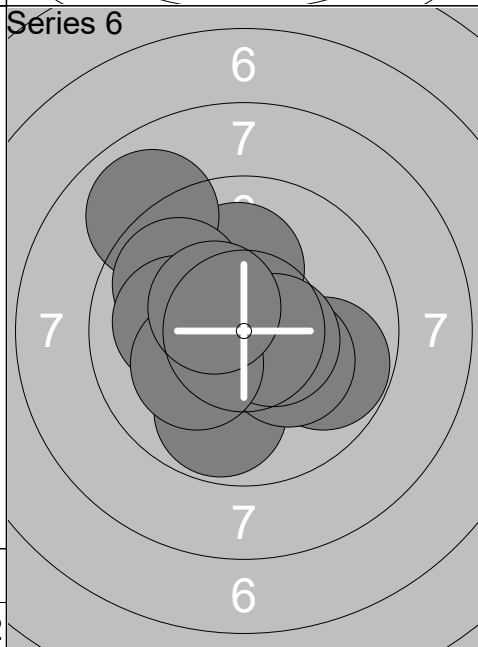
1:	10.5x →
2:	9.9 →
3:	10.6x ↗
4:	9.6 ↗
5:	10.6x ↖
6:	8.5 ←
7:	9.9 ↗
8:	9.5 ↘
9:	9.6 →
10:	9.9 ↖
Series	98.6
	297.5



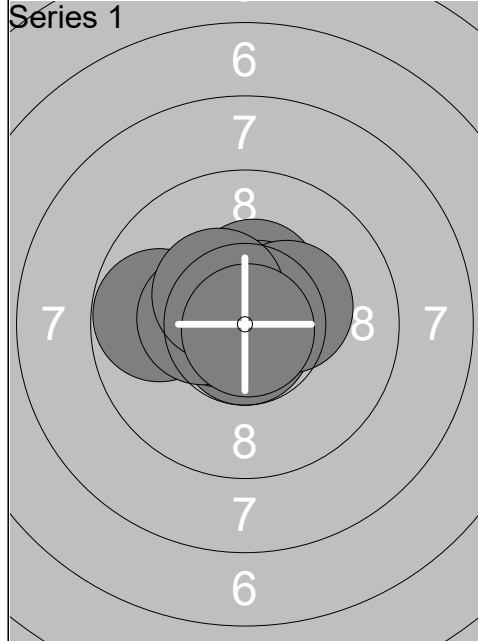
1:	10.3x →
2:	9.3 ←
3:	10.7x ↗
4:	10.6x ↖
5:	9.6 ←
6:	8.5 ←
7:	8.7 ↗
8:	9.2 ↗
9:	10.1 ←
10:	10.6x ↖
Series	97.6
	395.1



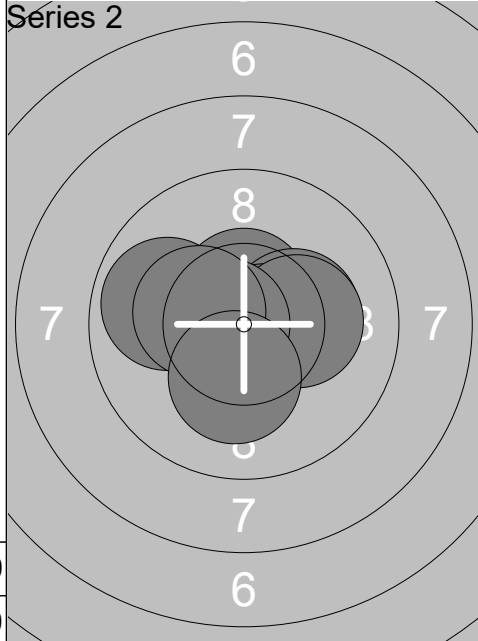
1:	9.0 ←
2:	9.4 ↘
3:	10.2x ↘
4:	10.7x ↘
5:	10.0 →
6:	9.4 ←
7:	9.7 ↗
8:	10.3x ↖
9:	10.3x ↘
10:	10.1 ↖
Series	99.1
	494.2



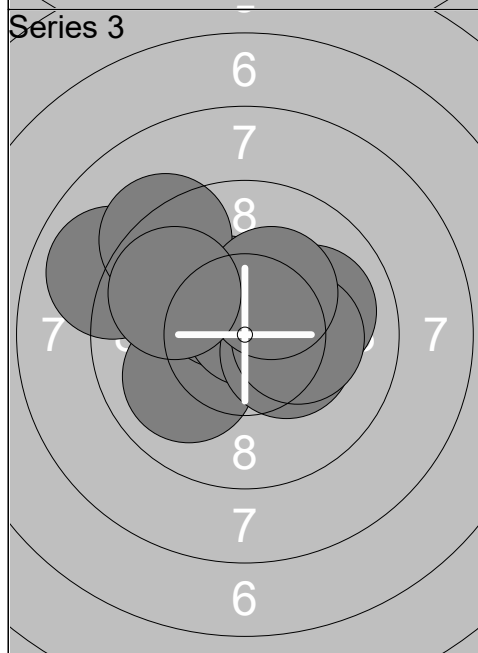
1:	10.1 ↗
2:	8.9 ↖
3:	9.8 ↘
4:	9.8 ↖
5:	9.8 →
6:	10.1 ←
7:	10.2x ↘
8:	10.5x →
9:	10.1 ↖
10:	10.4x ↖
Series	99.7
	593.9



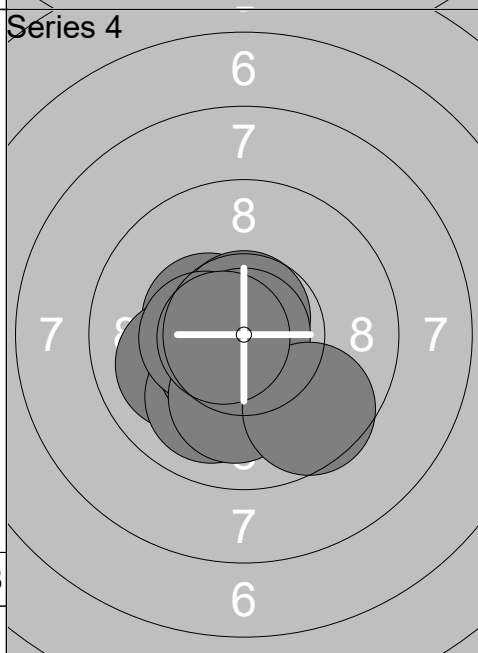
1:	9.8	←
2:	10.4x	↑
3:	10.8x	↓
4:	10.7x	↓
5:	10.7x	←
6:	10.6x	↗
7:	10.4x	←
8:	10.3x	→
9:	10.4x	↖
10:	10.8x	↓
Series	104.9	
	104.9	



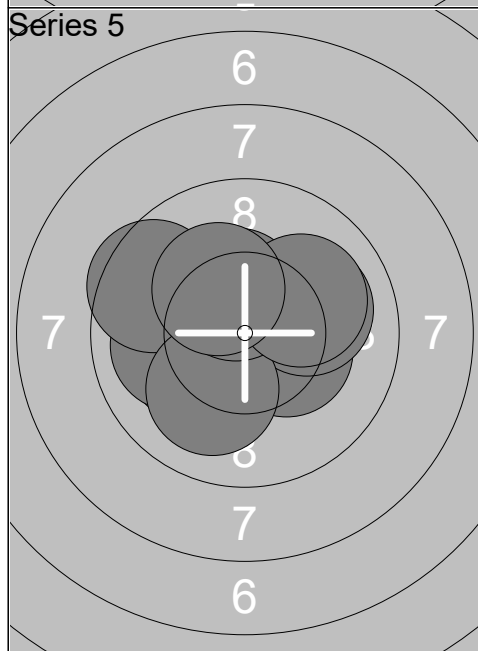
1:	10.9x	←
2:	10.5x	↑
3:	10.3x	→
4:	10.8x	↓
5:	9.9	←
6:	10.6x	→
7:	10.2x	→
8:	10.7x	←
9:	10.3x	←
10:	10.2x	↓
Series	104.4	
	209.3	



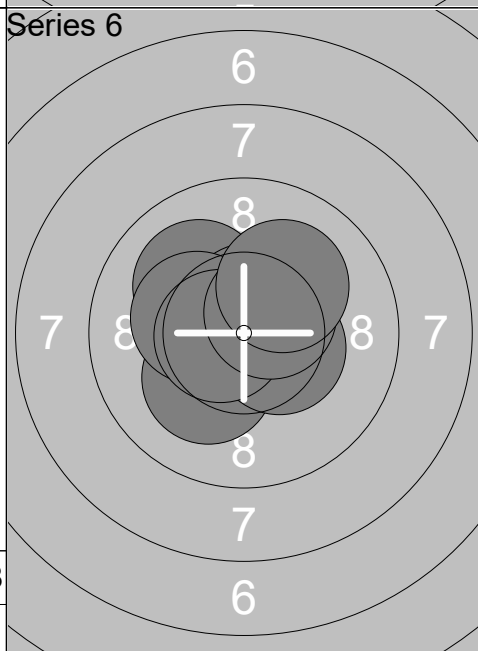
1:	10.0	→
2:	10.0	←
3:	10.4x	↖
4:	10.7x	↑
5:	10.3x	→
6:	8.9	←
7:	10.2x	→
8:	9.2	↗
9:	10.3x	↗
10:	9.8	←
Series	99.8	
	309.1	



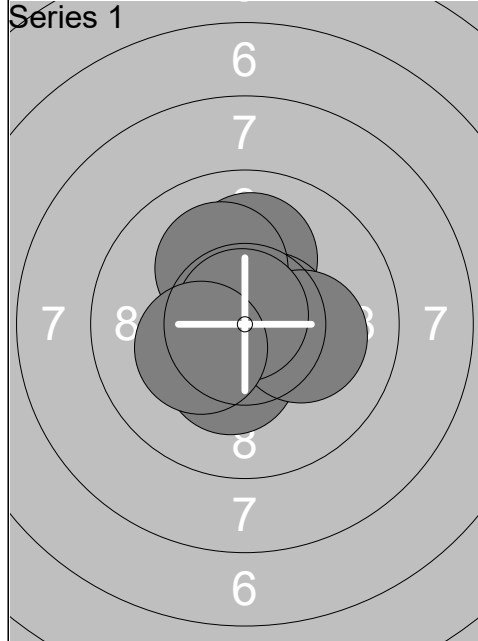
1:	10.4x	←
2:	10.0	←
3:	10.0	↓
4:	10.5x	↙
5:	10.7x	↑
6:	10.9x	
7:	10.4x	←
8:	10.1	↓
9:	9.6	↘
10:	10.6x	←
Series	103.2	
	412.3	



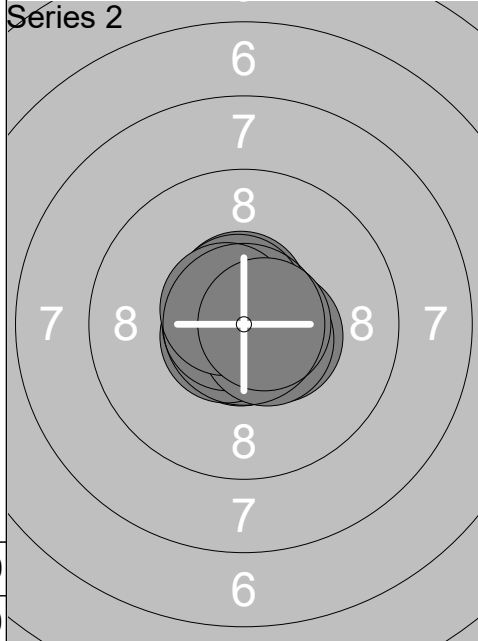
1:	10.3x	→
2:	10.1	←
3:	10.2x	←
4:	10.0	←
5:	10.0	→
6:	9.5	←
7:	10.1	↓
8:	10.4x	↑
9:	10.0	↗
10:	10.2x	↖
Series	100.8	
	513.1	



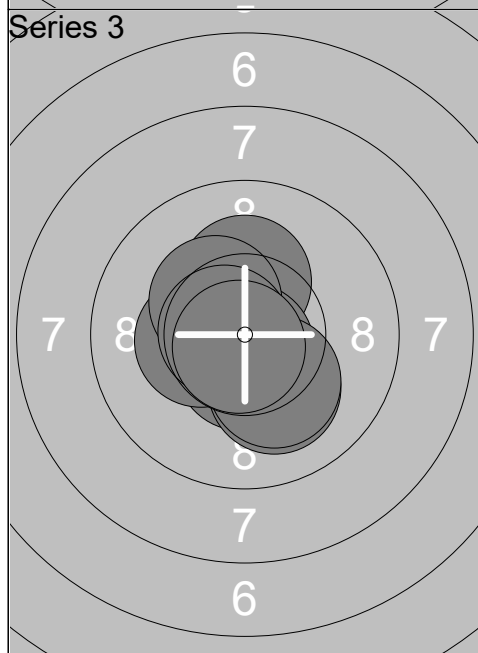
1:	10.5x	→
2:	10.2x	↙
3:	10.4x	↖
4:	10.1	↖
5:	10.4x	→
6:	10.6x	↑
7:	10.2x	←
8:	10.6x	←
9:	10.5x	↗
10:	10.1	↗
Series	103.6	
	616.7	



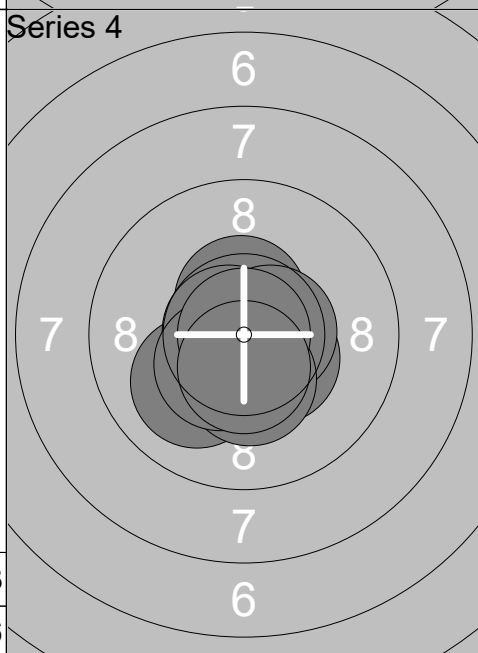
1:	10.6x	↘
2:	10.3x	↘
3:	10.3x	↘
4:	10.0	↑
5:	10.6x	→
6:	10.8x	↑
7:	10.2x	→
8:	10.1	↑
9:	10.8x	↑
10:	10.3x	↙
Series	104.0	
	104.0	



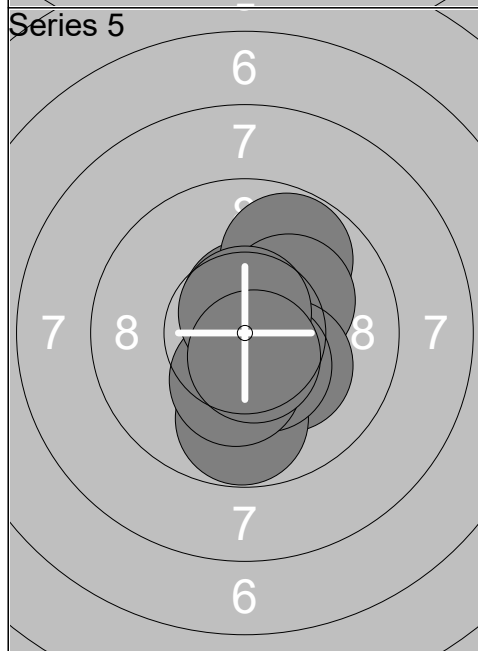
1:	10.6x	↑
2:	10.9x	↖
3:	10.7x	↘
4:	10.6x	↙
5:	10.7x	←
6:	10.4x	→
7:	10.6x	↑
8:	10.5x	↘
9:	10.6x	↖
10:	10.7x	→
Series	106.3	
	210.3	



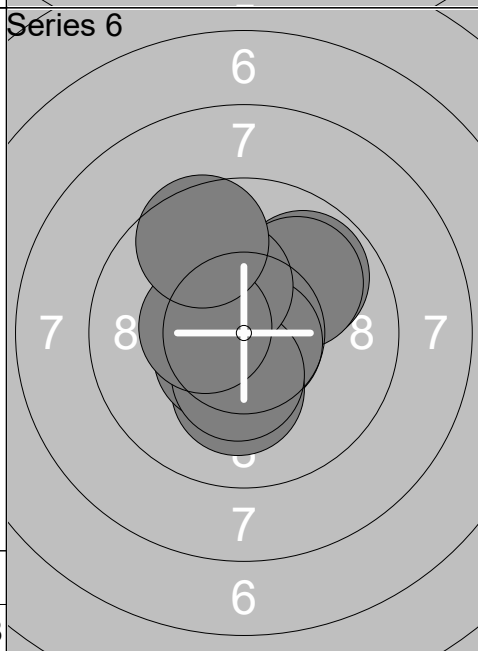
1:	10.6x	←
2:	10.2x	↑
3:	10.5x	↘
4:	10.1	↘
5:	10.7x	↘
6:	10.3x	←
7:	10.2x	↘
8:	10.3x	↖
9:	10.7x	←
10:	10.7x	↘
Series	104.3	
	314.6	



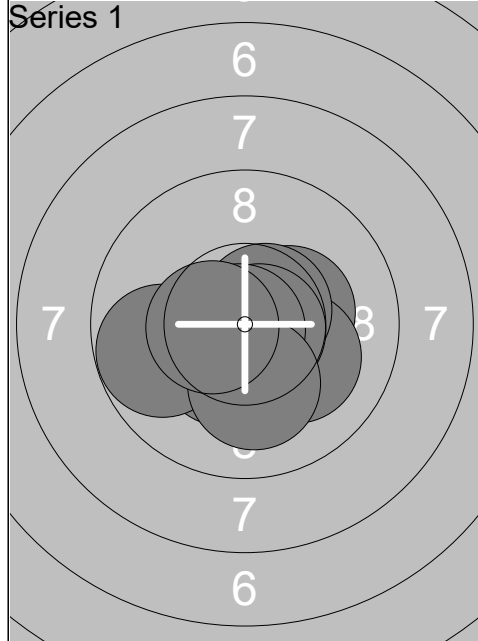
1:	10.4x	↘
2:	10.8x	↑
3:	10.5x	↑
4:	10.0	↙
5:	10.7x	←
6:	10.6x	→
7:	10.3x	↘
8:	10.4x	↙
9:	10.9x	
10:	10.5x	↘
Series	105.1	
	419.7	



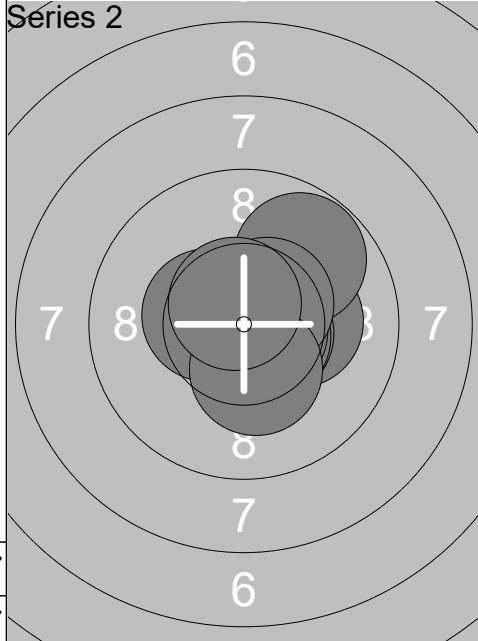
1:	10.6x	↑
2:	9.8	↗
3:	10.2x	↗
4:	10.2x	↘
5:	9.8	↘
6:	10.5x	↘
7:	10.4x	↘
8:	10.3x	↘
9:	10.7x	↑
10:	10.6x	↘
Series	103.1	
	522.8	



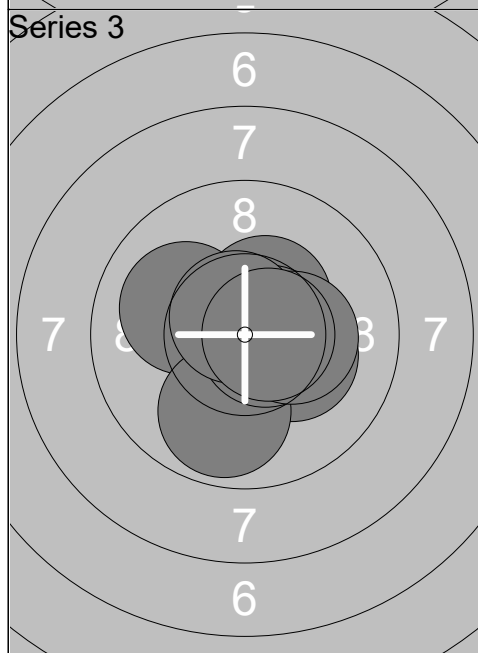
1:	10.7x	↘
2:	9.8	↗
3:	9.9	↗
4:	10.7x	↘
5:	10.2x	↘
6:	10.5x	↙
7:	10.4x	↘
8:	10.3x	↑
9:	10.4x	←
10:	9.6	↑
Series	102.5	
	625.3	



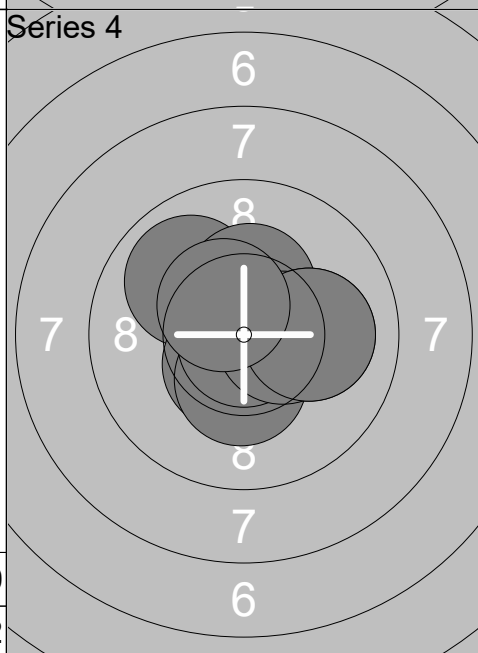
1:	10.3x	→
2:	10.1	↘
3:	10.4x	↓
4:	10.6x	↗
5:	10.7x	→
6:	10.4x	↓
7:	9.8	←
8:	10.8x	↙
9:	10.1	↓
10:	10.5x	←
Series	103.7	
	103.7	



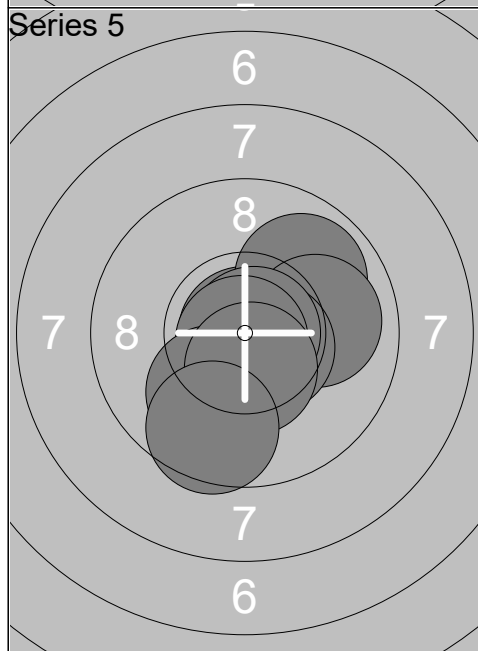
1:	10.2x	→
2:	10.6x	→
3:	10.8x	↑
4:	10.6x	→
5:	9.8	↗
6:	10.7x	→
7:	10.5x	↗
8:	10.4x	←
9:	10.3x	↓
10:	10.6x	↖
Series	104.5	
	208.2	



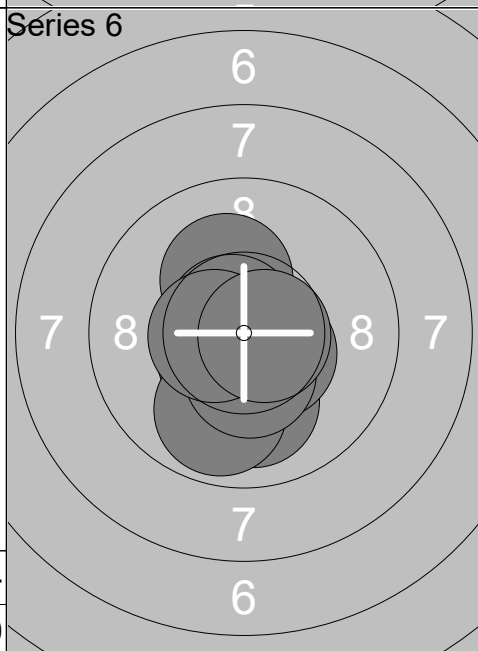
1:	10.2x	→
2:	10.7x	→
3:	10.4x	↗
4:	10.0	←
5:	9.9	↓
6:	10.6x	→
7:	10.6x	→
8:	10.7x	↖
9:	10.3x	→
10:	10.6x	→
Series	104.0	
	312.2	



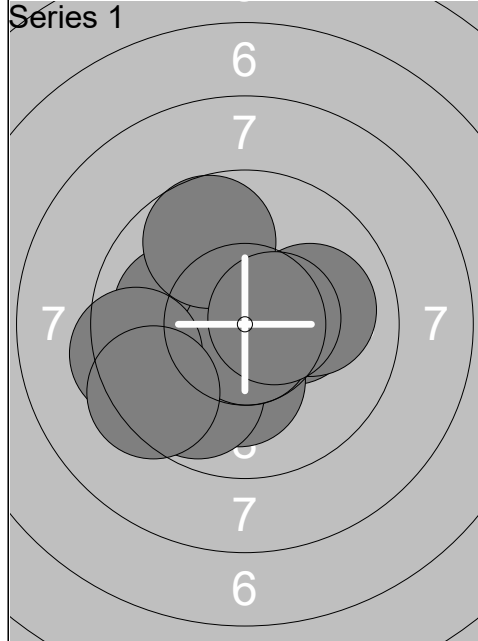
1:	9.9	↖
2:	10.7x	↓
3:	10.5x	↓
4:	10.3x	↑
5:	10.3x	↓
6:	10.0	→
7:	10.9x	↓
8:	10.4x	→
9:	10.0	→
10:	10.4x	↖
Series	103.4	
	415.6	



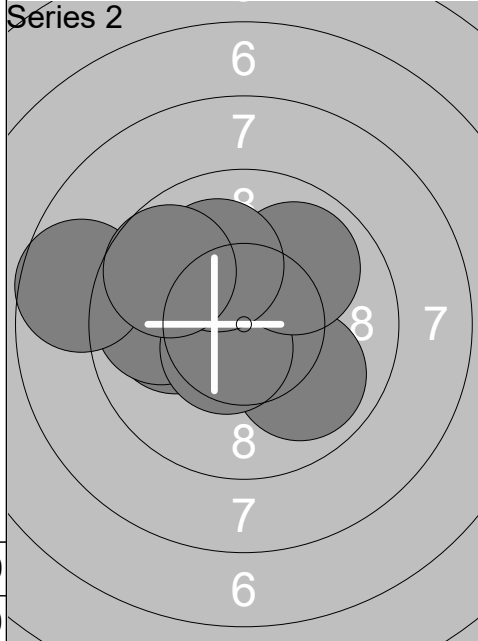
1:	10.4x	↓
2:	10.9x	
3:	9.9	↗
4:	10.0	→
5:	10.6x	→
6:	10.8x	→
7:	10.8x	↓
8:	10.0	↓
9:	10.4x	↓
10:	9.6	↓
Series	103.4	
	519.0	



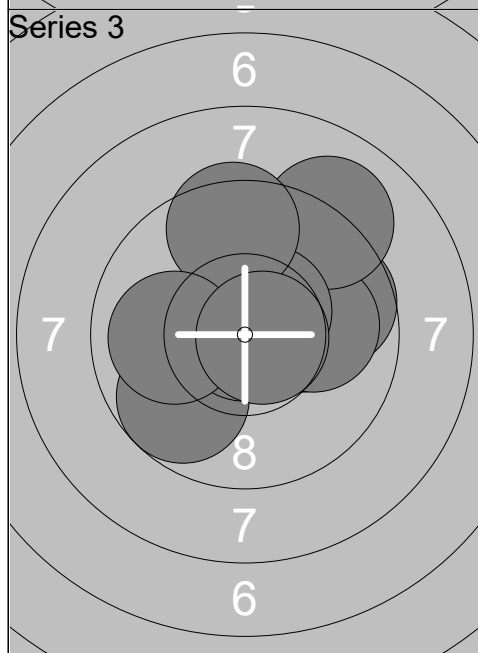
1:	10.2x	↖
2:	10.5x	↙
3:	10.0	↓
4:	10.6x	↓
5:	10.5x	→
6:	10.7x	↖
7:	9.8	↓
8:	10.4x	↓
9:	10.5x	←
10:	10.6x	→
Series	103.8	
	622.8	



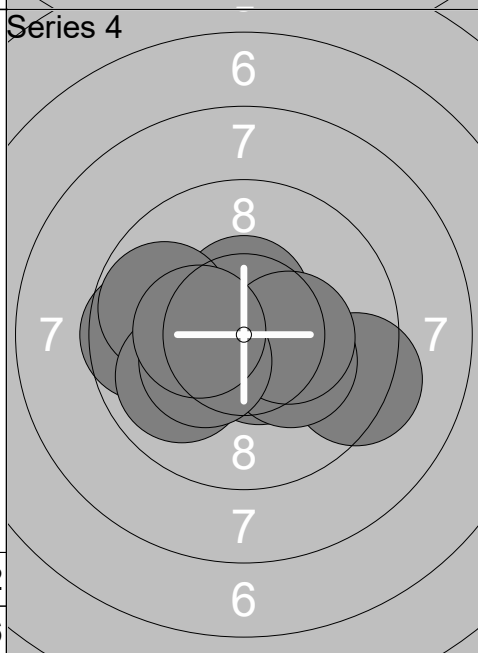
1:	10.3x →
2:	10.2x ↓
3:	9.8 ↘
4:	10.0 ←
5:	10.7x ↓
6:	9.4 ←
7:	10.0 →
8:	9.7 ↗
9:	10.5x →
10:	9.4 ↙
Series	100.0
	100.0



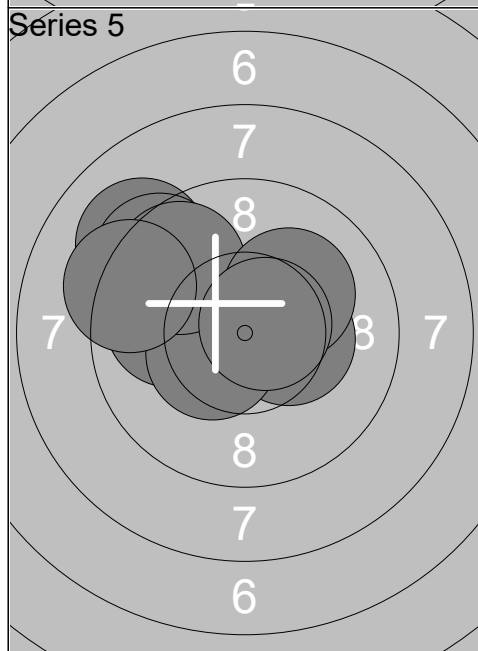
1:	9.9 ↘
2:	10.6x ↙
3:	10.0 ←
4:	10.2x ↗
5:	9.8 ←
6:	10.5x ↙
7:	9.9 ↗
8:	8.7 ←
9:	10.1 ↗
10:	9.7 ↙
Series	99.4
	199.4



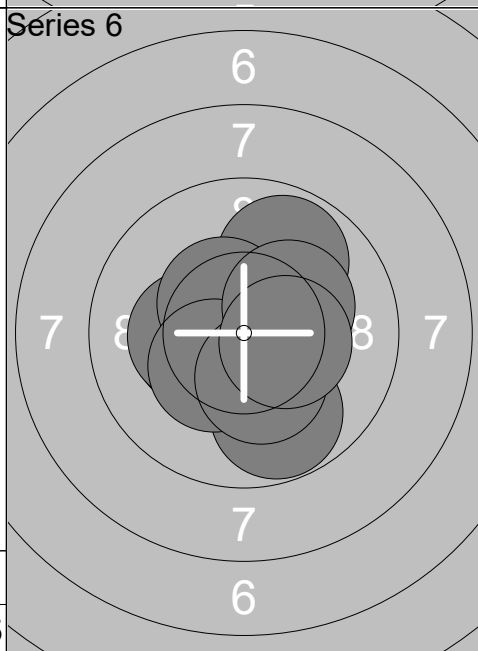
1:	9.7 ↙
2:	10.9x
3:	10.2x →
4:	9.7 →
5:	10.0 →
6:	9.0 ↗
7:	10.5x ↗
8:	9.5 ↑
9:	10.0 ←
10:	10.7x →
Series	100.2
	299.6



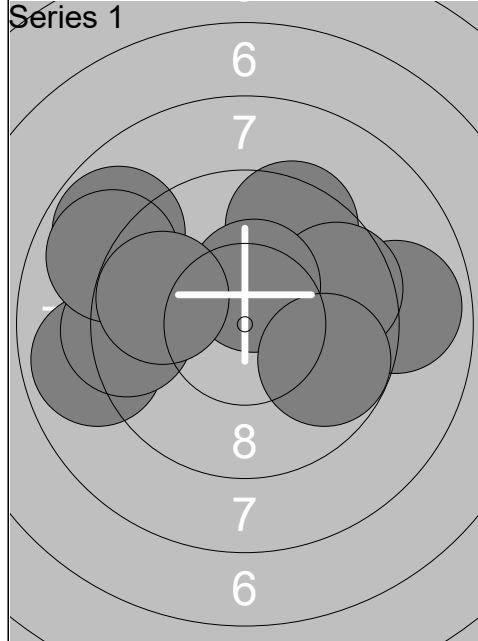
1:	10.5x ↑
2:	10.6x ↓
3:	9.3 →
4:	9.6 ←
5:	10.2x ↘
6:	9.8 ←
7:	10.3x →
8:	9.9 ↙
9:	10.3x ↙
10:	10.3x ←
Series	100.8
	400.4



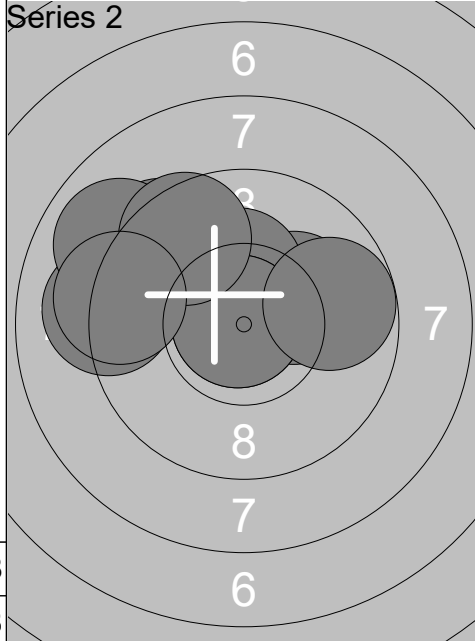
1:	10.3x →
2:	9.1 ↙
3:	9.4 ↙
4:	10.4x ←
5:	9.9 ←
6:	10.4x ↙
7:	9.7 ↙
8:	10.1 ↗
9:	10.6x →
10:	9.2 ←
Series	99.1
	499.5



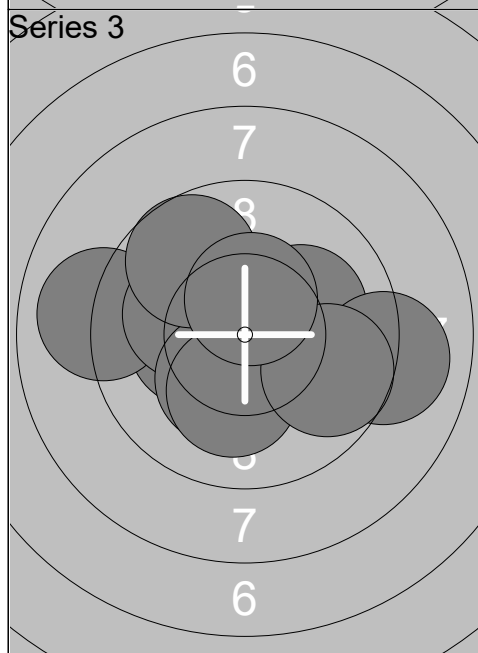
1:	10.3x ←
2:	10.3x ←
3:	10.6x ↑
4:	9.8 ↗
5:	10.4x ↗
6:	9.8 ↓
7:	10.3x ↙
8:	10.2x ↗
9:	10.3x ↓
10:	10.4x →
Series	102.4
	601.9



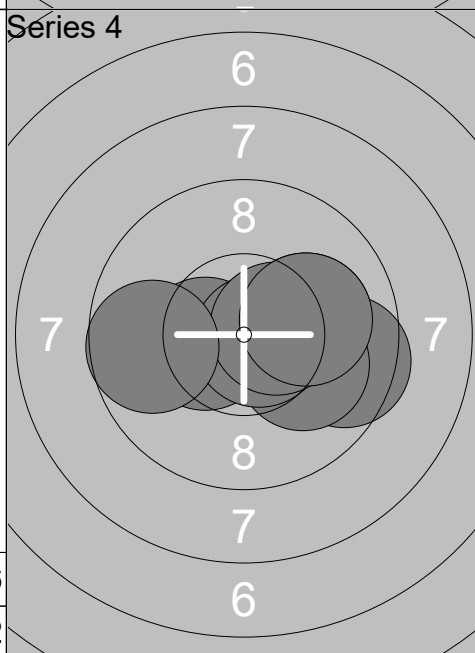
1:	8.9	←
2:	9.3	←
3:	9.5	↗
4:	8.9	→
5:	9.6	↗
6:	8.8	↖
7:	8.9	←
8:	10.4x	↗
9:	9.7	←
10:	9.8	↗
Series	93.8	
	93.8	



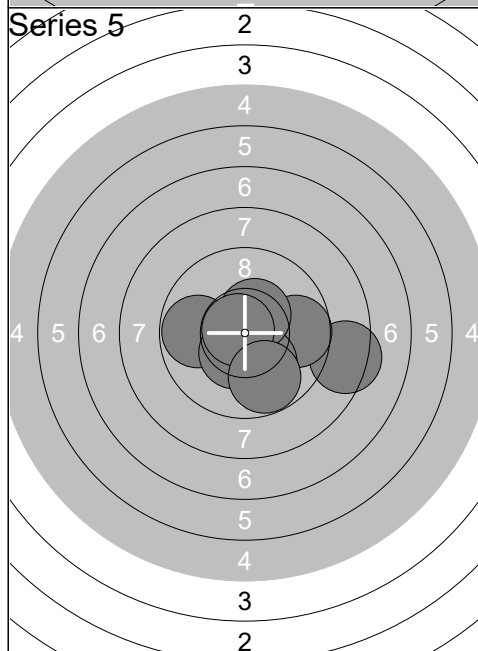
1:	9.1	←
2:	10.1	↗
3:	10.2x	↗
4:	10.8x	↖
5:	9.4	↖
6:	10.9x	↖
7:	8.9	←
8:	9.7	→
9:	9.5	↗
10:	9.2	←
Series	97.8	
	191.6	



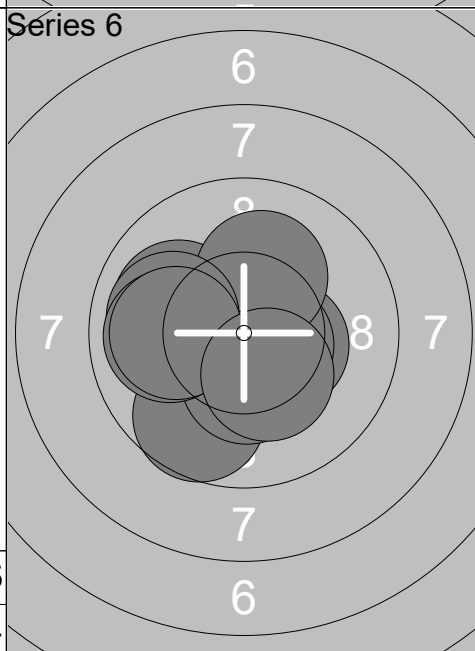
1:	10.2x	←
2:	10.1	→
3:	9.0	→
4:	9.0	←
5:	10.1	←
6:	10.2x	↘
7:	10.2x	↘
8:	9.7	↗
9:	9.7	→
10:	10.4x	↗
Series	98.6	
	290.2	



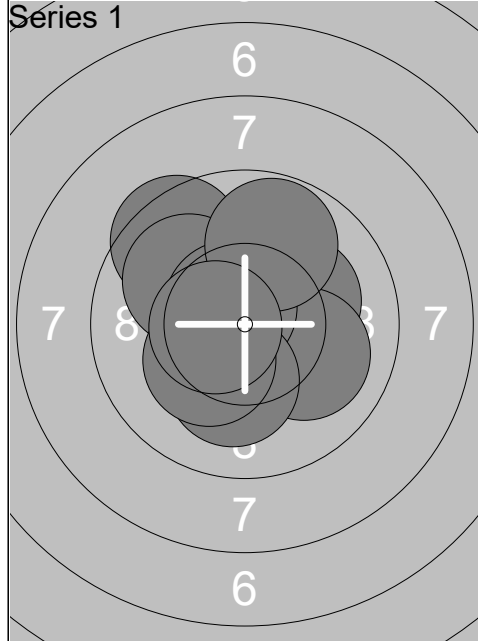
1:	10.0	→
2:	10.4x	←
3:	10.3x	↗
4:	10.5x	→
5:	9.5	→
6:	10.0	↗
7:	10.7x	↗
8:	10.5x	→
9:	10.1	→
10:	9.7	←
Series	101.7	
	391.9	



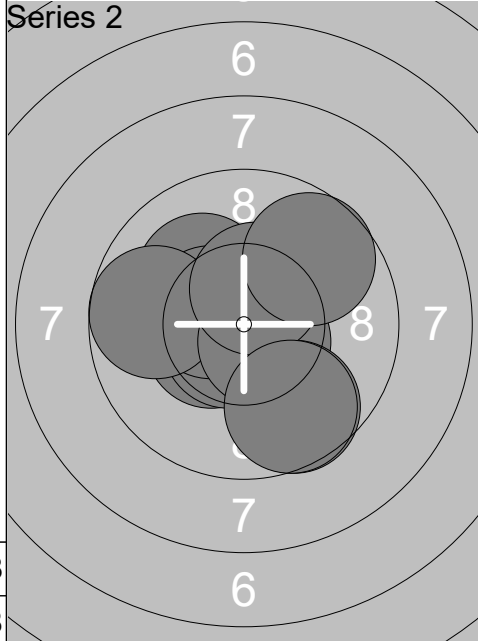
1:	8.4	→
2:	9.8	←
3:	10.4x	↗
4:	10.9x	↘
5:	9.7	→
6:	10.1	↘
7:	10.4x	↗
8:	10.4x	↘
9:	10.7x	↖
10:	9.7	↘
Series	100.5	
	492.4	



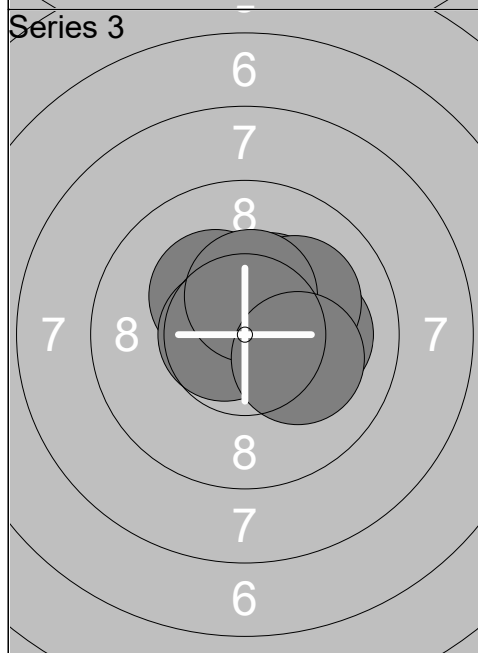
1:	10.4x	↗
2:	9.6	↘
3:	10.0	←
4:	10.6x	↗
5:	10.1	↗
6:	10.0	←
7:	10.3x	↘
8:	9.9	←
9:	10.0	←
10:	10.3x	↘
Series	101.2	
	593.6	



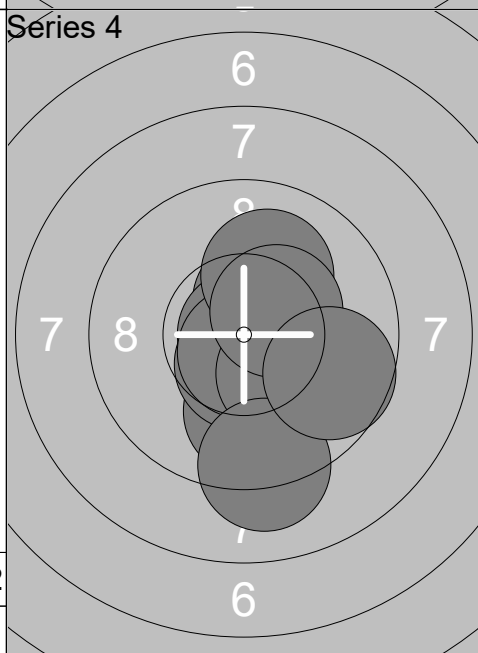
1:	10.8x ↖
2:	10.2x →
3:	9.5 ↗
4:	10.0 ↗
5:	10.0 →
6:	10.6x ↗
7:	9.8 ↗
8:	10.2x ↓
9:	10.2x ↙
10:	10.5x ←
Series	101.8
	101.8



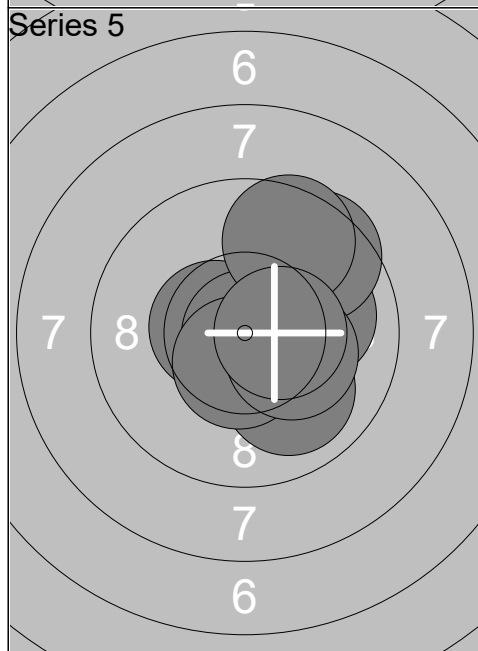
1:	10.1 ↗
2:	10.4x ↙
3:	10.6x ↙
4:	10.4x ↙
5:	9.7 ←
6:	10.6x ↘
7:	9.6 ↓
8:	10.4x ↑
9:	9.7 ↗
10:	9.6 ↓
Series	101.1
	202.9



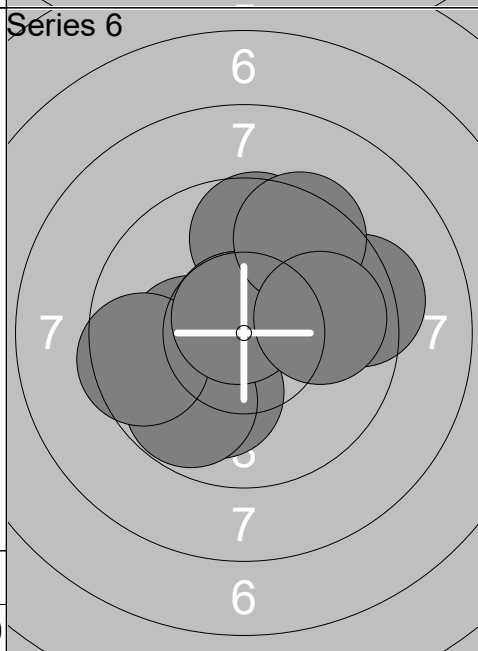
1:	10.6x ↗
2:	10.2x →
3:	10.5x ↗
4:	10.3x ↗
5:	10.1 →
6:	10.1 ↗
7:	10.3x ↗
8:	10.6x ←
9:	10.4x ↑
10:	10.1 →
Series	103.2
	306.1



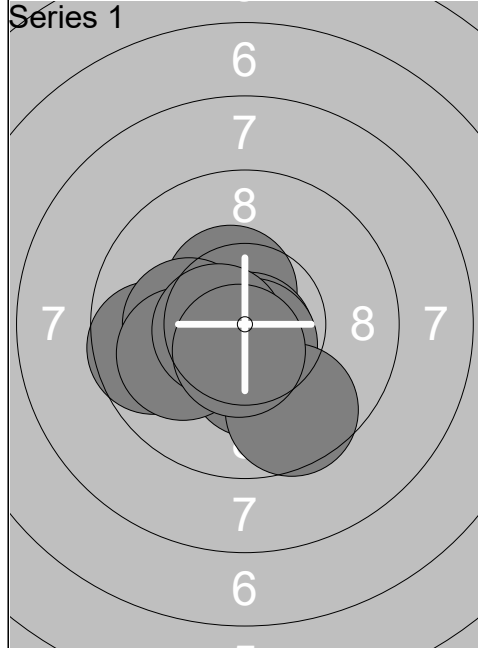
1:	9.9 ↓
2:	10.5x ↓
3:	10.4x ↗
4:	10.9x
5:	10.7x ↓
6:	10.2x ↘
7:	9.1 ↓
8:	10.0 ↑
9:	10.4x ↗
10:	9.7 →
Series	101.8
	407.9



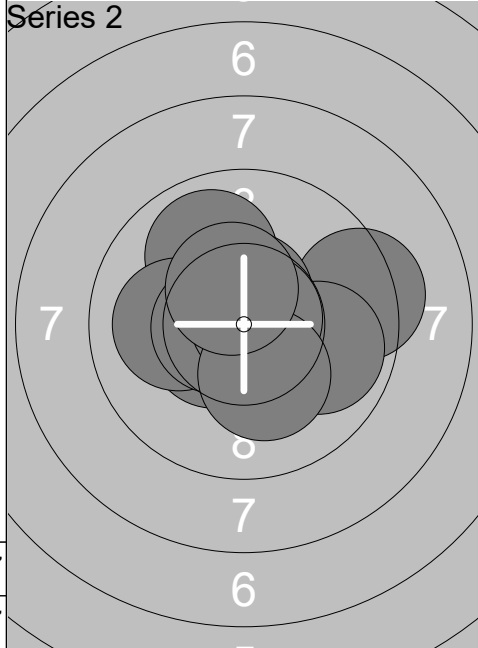
1:	10.5x ←
2:	10.0 →
3:	10.9x ↘
4:	10.0 ↓
5:	9.5 ↗
6:	10.5x ↘
7:	10.5x ↓
8:	10.2x →
9:	9.5 ↗
10:	10.5x →
Series	102.1
	510.0



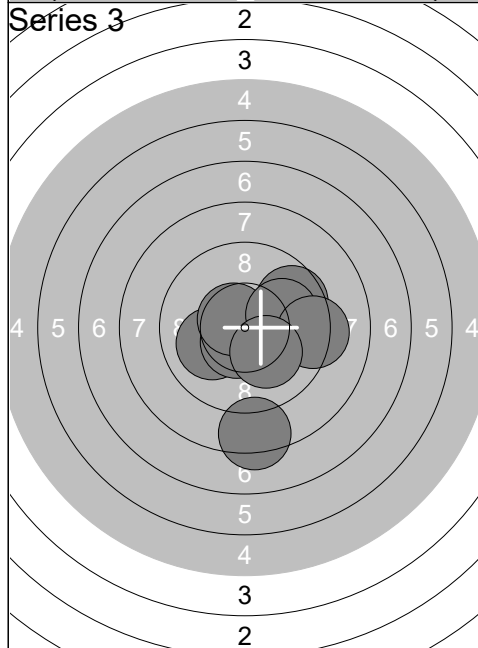
1:	10.0 ↓
2:	10.2x ←
3:	9.7 ↙
4:	9.5 ←
5:	9.6 ↑
6:	9.9 ↗
7:	10.7x ↗
8:	9.3 →
9:	9.4 ↗
10:	9.9 →
Series	98.2
	608.2



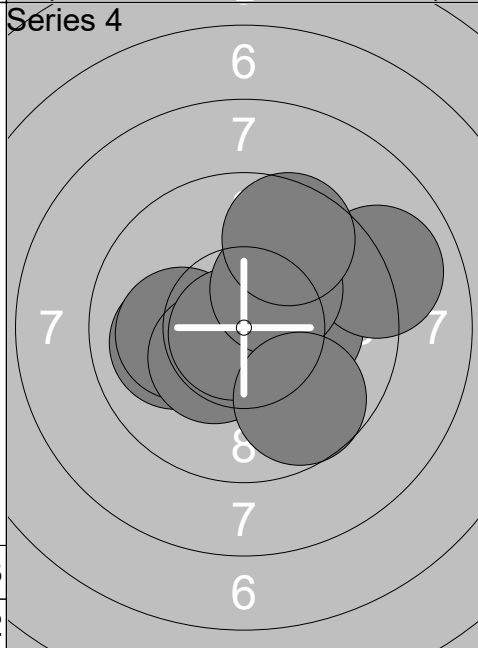
1:	9.6	←
2:	10.3x	↓
3:	10.5x	↖
4:	10.7x	↓
5:	10.2x	←
6:	10.0	←
7:	10.6x	↓
8:	9.6	↓
9:	10.6x	←
10:	10.6x	↓
Series	102.7	
	102.7	



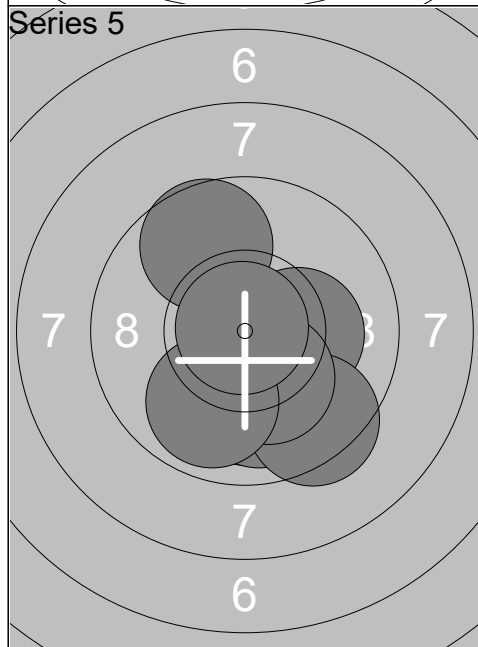
1:	9.3	→
2:	9.9	↖
3:	10.6x	↑
4:	10.4x	↙
5:	10.1	←
6:	10.6x	←
7:	9.9	→
8:	10.8x	↗
9:	10.2x	↓
10:	10.4x	↖
Series	102.2	
	204.9	



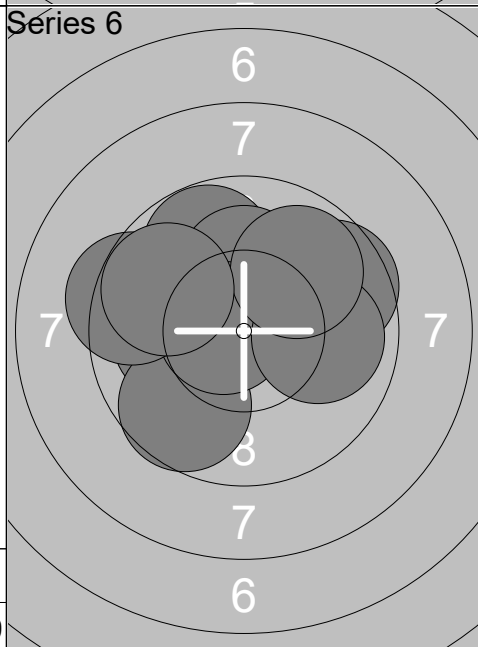
1:	10.0	←
2:	10.5x	↙
3:	10.3x	↗
4:	10.6x	↖
5:	9.7	→
6:	8.3	↓
7:	9.6	↗
8:	10.0	↗
9:	9.2	→
10:	10.1	↙
Series	98.3	
	303.2	



1:	10.0	←
2:	10.5x	↙
3:	10.1	←
4:	10.2x	→
5:	9.0	→
6:	10.4x	↙
7:	10.8x	↙
8:	10.3x	↗
9:	9.6	↖
10:	9.7	↙
Series	100.6	
	403.8	

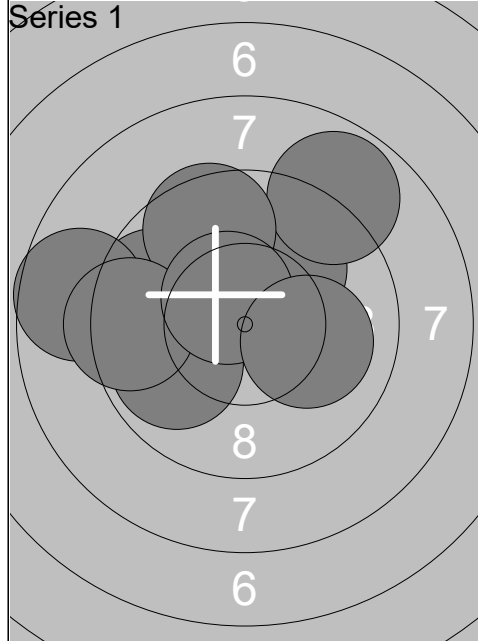


1:	9.7	↖
2:	10.1	↓
3:	10.2x	→
4:	10.7x	↓
5:	10.0	↓
6:	10.0	↓
7:	9.4	↓
8:	10.2x	↓
9:	9.9	↓
10:	10.9x	↖
Series	101.1	
	504.9	

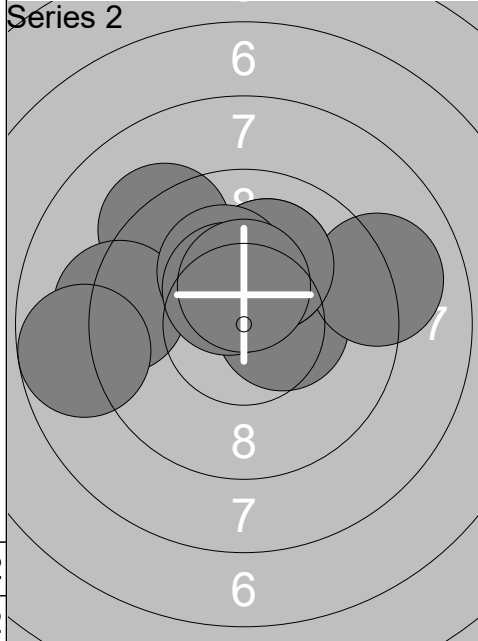


1:	10.0	←
2:	9.6	↙
3:	9.7	↖
4:	10.1	↑
5:	10.6x	←
6:	9.6	↗
7:	9.9	→
8:	9.8	↗
9:	9.3	←
10:	9.8	↙
Series	98.4	
	603.3	

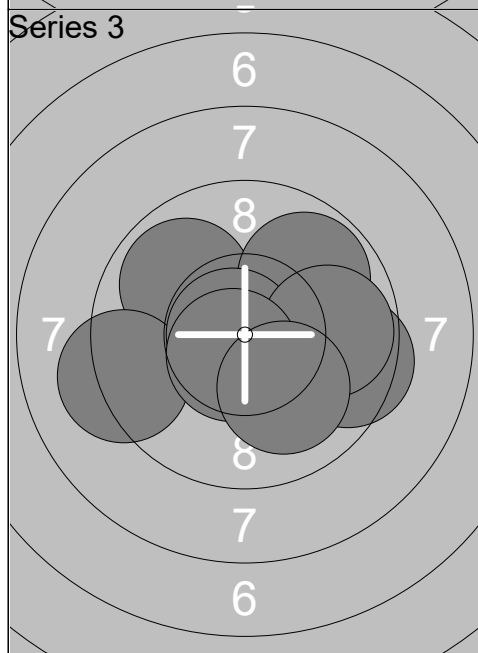
Relay	Lane	Frans Rasmusson	
3	29	SWE	MJ
1 Air Qualification			
19.02.2023	DENMARK OPEN AIR 2023 DAY3	Danmark Open Air 2023	
Series 1	1: 9.7 ↗ 2: 10.6x ↘ 3: 10.3x → 4: 10.5x ↑ 5: 9.9 ← 6: 10.5x ↙ 7: 10.7x ↑ 8: 10.2x ↑ 9: 10.3x ← 10: 10.1 ↗ Series 102.8 102.8	Series 2	1: 10.7x → 2: 10.0 ↘ 3: 10.4x ↘ 4: 10.1 → 5: 10.5x ↑ 6: 10.0 ↗ 7: 10.3x → 8: 10.2x ↙ 9: 9.9 ← 10: 10.2x ↑ Series 102.3 205.1
Series 3	1: 10.3x ↑ 2: 9.2 ↗ 3: 10.3x → 4: 10.6x ↘ 5: 10.5x ← 6: 10.4x ↑ 7: 9.9 ↘ 8: 10.6x ↑ 9: 10.3x ↙ 10: 10.3x ↙ Series 102.4 307.5	Series 4	1: 9.8 ↗ 2: 10.3x ↙ 3: 10.3x ↙ 4: 9.8 ↗ 5: 10.9x ← 6: 10.1 ↖ 7: 10.7x ↗ 8: 10.4x ↘ 9: 10.4x ↘ 10: 10.2x ↑ Series 102.9 410.4
Series 5	1: 10.3x ↙ 2: 9.9 → 3: 10.4x ↘ 4: 10.5x ↗ 5: 10.0 → 6: 10.4x ↖ 7: 10.0 ↘ 8: 10.3x → 9: 10.3x ↗ 10: 10.5x → Series 102.6 513.0	Series 6	1: 10.9x 2: 10.3x ↘ 3: 10.7x ↖ 4: 10.4x ← 5: 10.1 ↘ 6: 10.3x → 7: 10.4x ← 8: 9.6 ↑ 9: 10.4x ← 10: 10.4x ↘ Series 103.5 616.5



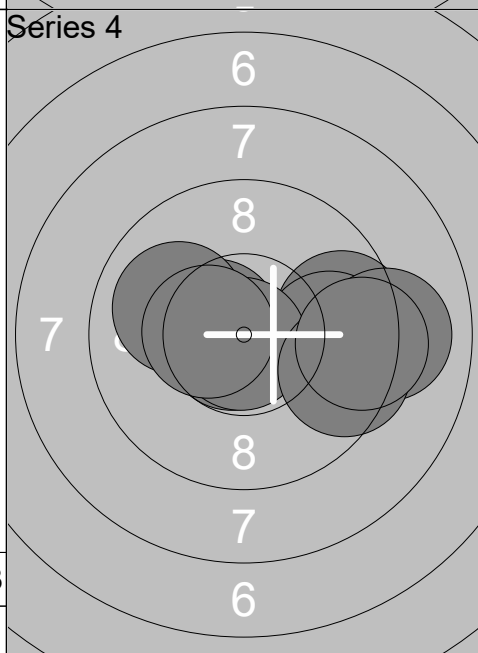
1:	10.0	↗
2:	9.7	←
3:	8.8	↗
4:	9.7	←
5:	9.5	↗
6:	8.7	←
7:	9.9	↙
8:	9.4	←
9:	10.5x	↗
10:	10.0	→
Series		96.2
		96.2



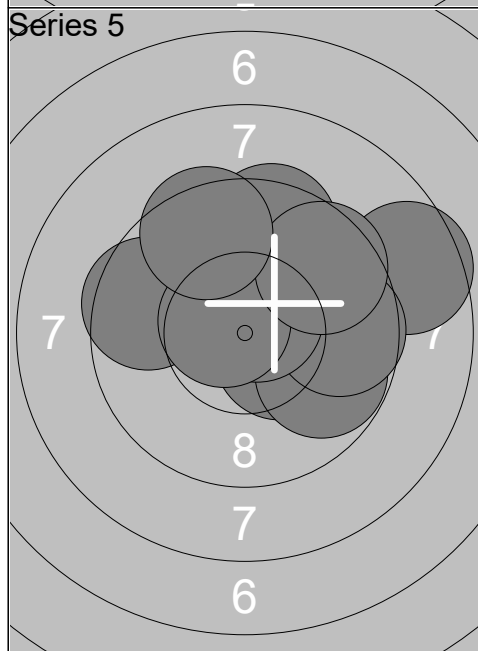
1:	9.2	↖
2:	10.4x	→
3:	9.2	←
4:	10.0	↗
5:	9.0	→
6:	8.7	←
7:	10.1	↗
8:	10.2x	↗
9:	10.4x	↗
10:	10.4x	↑
Series		97.6
		193.8



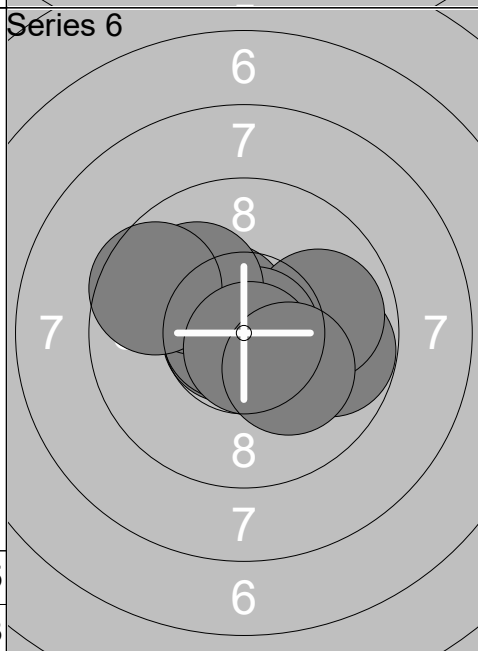
1:	9.9	↖
2:	9.2	←
3:	9.5	→
4:	10.7x	↓
5:	10.0	→
6:	9.8	↗
7:	10.8x	←
8:	9.8	→
9:	10.6x	↘
10:	10.0	↘
Series		100.3
		294.1



1:	9.6	→
2:	10.7x	↙
3:	9.8	→
4:	10.5x	↙
5:	10.8x	↓
6:	10.0	←
7:	10.5x	←
8:	9.0	→
9:	9.5	→
10:	9.3	→
Series		99.7
		393.8



1:	10.4x	↘
2:	9.7	→
3:	8.6	→
4:	9.6	→
5:	9.5	←
6:	10.6x	↗
7:	9.5	↗
8:	10.6x	↖
9:	9.5	↗
10:	9.5	↗
Series		97.5
		491.3



1:	9.8	→
2:	10.5x	↖
3:	10.7x	←
4:	10.7x	←
5:	9.9	→
6:	10.8x	→
7:	10.0	↖
8:	9.6	↖
9:	10.7x	↓
10:	10.2x	↘
Series		102.9
		594.2