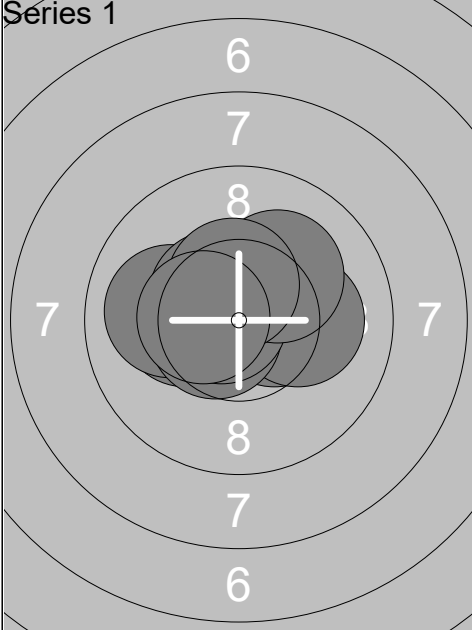
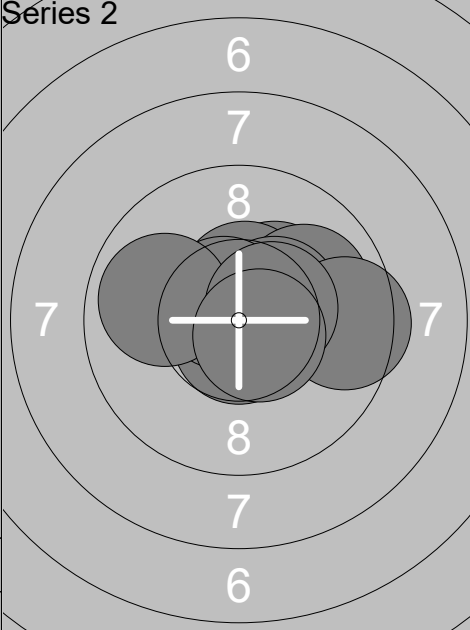
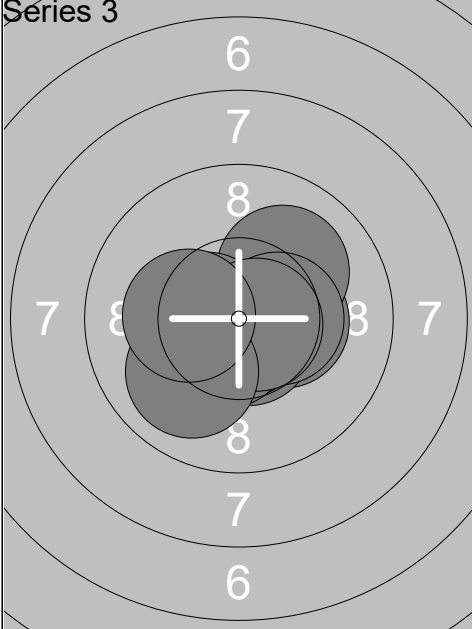
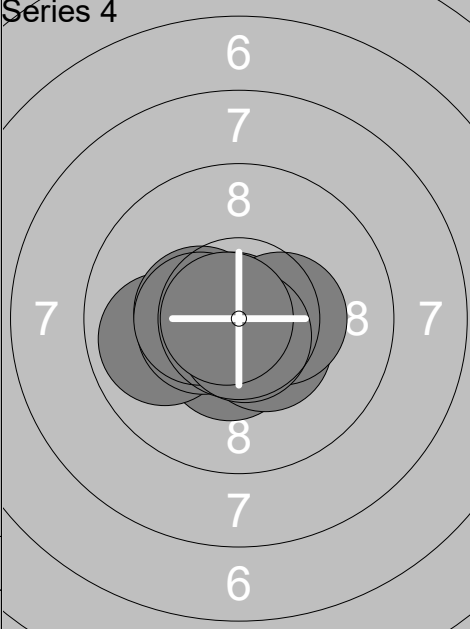
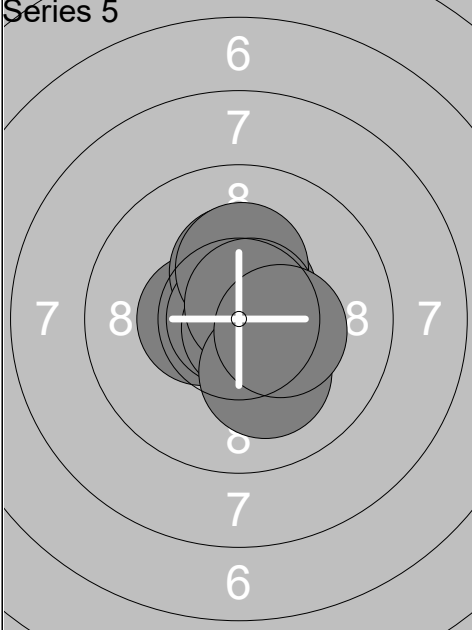
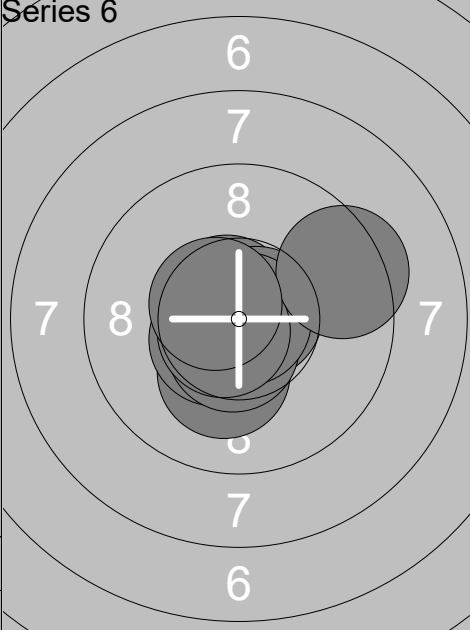
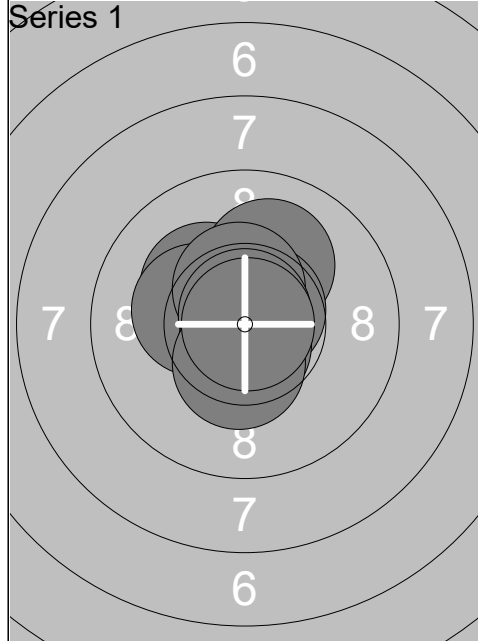
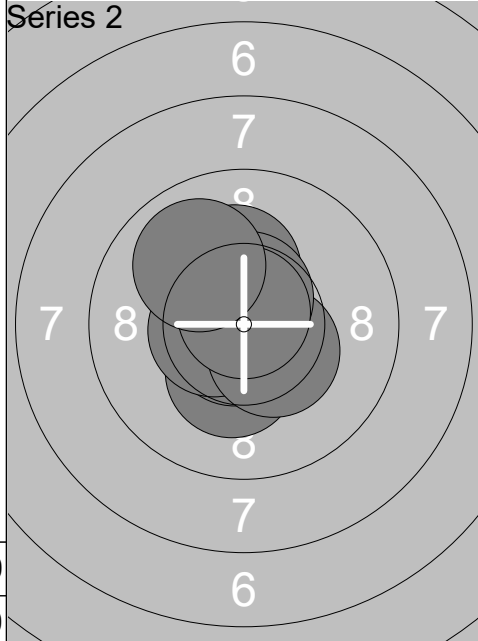


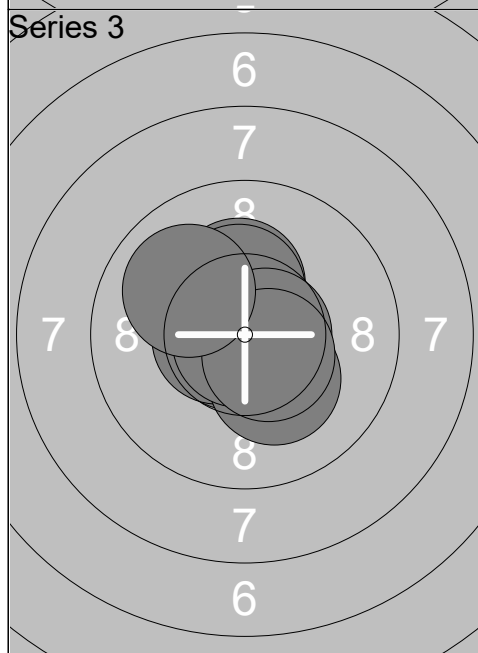
Relay	Lane	Tifenn Pomes			
4	1	FRA		WJ	
1 Air Qualification		DENMARK OPEN AIR 2023 DAY3		Danmark Open Air 2023	
19.02.2023					
Series 1		1: 10.4x → 2: 10.2x ← 3: 10.0 ← 4: 10.1 → 5: 10.6x ← 6: 10.4x ↖ 7: 10.7x ← 8: 10.1 ↗ 9: 10.4x ↑ 10: 10.5x ← Series 103.4 103.4	Series 2		1: 10.7x ↓ 2: 10.3x ↗ 3: 10.5x ↑ 4: 9.9 ↗ 5: 10.4x → 6: 9.5 → 7: 10.6x ↖ 8: 9.9 ← 9: 10.4x → 10: 10.6x ↘ Series 102.8 206.2
Series 3		1: 10.3x → 2: 10.6x ↓ 3: 10.0 ↗ 4: 10.4x → 5: 10.7x ↓ 6: 10.5x ↓ 7: 10.5x ← 8: 10.7x → 9: 10.0 ↓ 10: 10.3x ← Series 104.0 310.2	Series 4		1: 10.4x ↓ 2: 9.9 ← 3: 10.4x ← 4: 10.4x ↘ 5: 10.4x ← 6: 10.9x ← 7: 10.4x → 8: 10.4x ← 9: 10.7x ↓ 10: 10.8x ← Series 104.7 414.9
Series 5		1: 10.9x 2: 10.5x ← 3: 10.6x ↗ 4: 10.3x ↑ 5: 10.8x ← 6: 10.8x ↘ 7: 10.3x ↑ 8: 10.7x ↗ 9: 10.1 ↓ 10: 10.3x → Series 105.3 520.2	Series 6		1: 10.2x ↓ 2: 10.8x ↖ 3: 10.6x ↖ 4: 10.7x → 5: 10.5x ↖ 6: 10.6x ↓ 7: 10.8x → 8: 10.6x ↖ 9: 9.4 ↗ 10: 10.5x ↖ Series 104.7 624.9



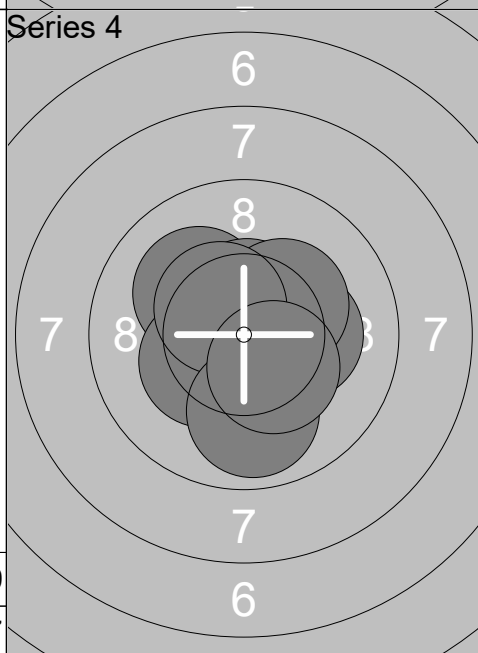
1:	10.2x ↖
2:	10.7x ↑
3:	10.1 ↗
4:	10.6x ↗
5:	10.3x ↙
6:	10.4x ↑
7:	10.8x ↑
8:	10.6x ↓
9:	10.4x ↓
10:	10.9x →
Series	105.0
	105.0



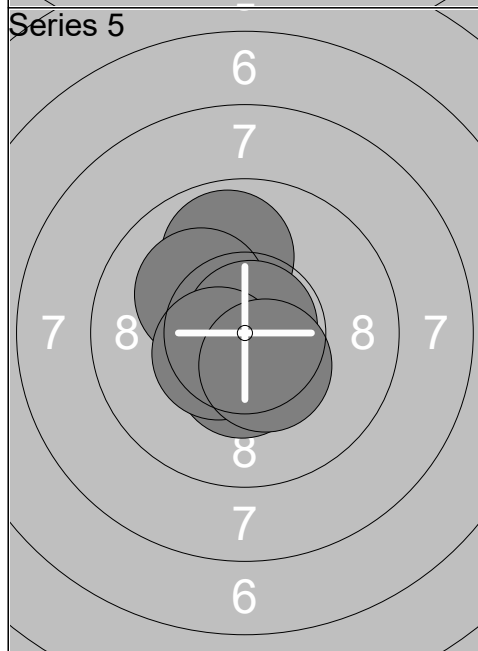
1:	10.3x ↓
2:	10.2x ↑
3:	10.7x ↘
4:	10.6x ↖
5:	10.8x ↖
6:	10.5x ↙
7:	10.4x ↘
8:	10.6x ↑
9:	10.8x ↑
10:	9.9 ↖
Series	104.8
	209.8



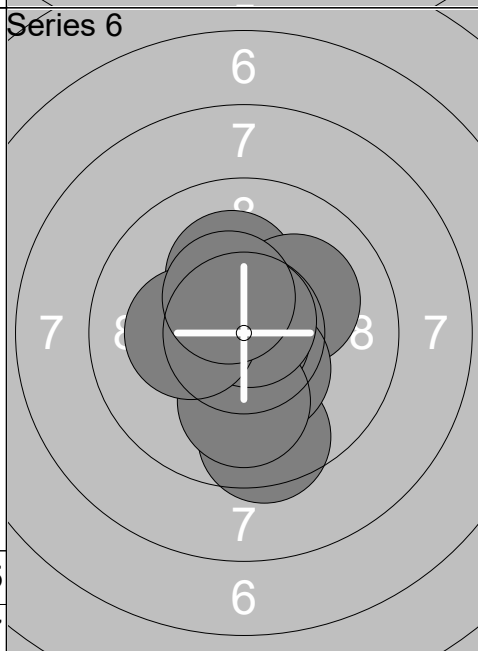
1:	10.7x ↙
2:	10.2x ↑
3:	10.9x ↓
4:	10.6x ↙
5:	10.2x ↘
6:	10.8x ↙
7:	10.3x ↑
8:	10.7x →
9:	10.5x ↘
10:	10.0 ↖
Series	104.9
	314.7



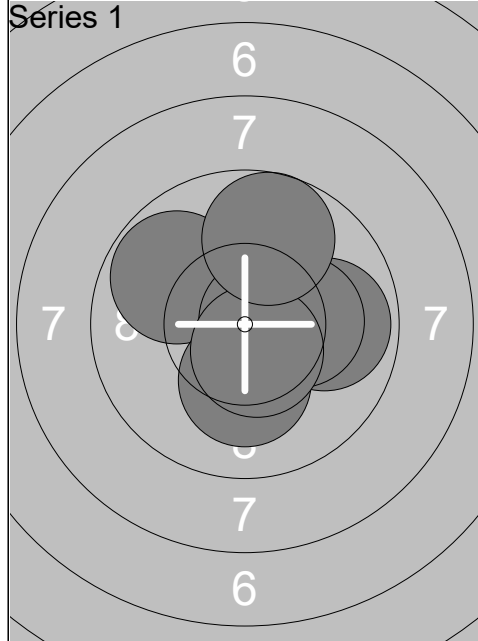
1:	10.1 ↖
2:	10.3x ↙
3:	10.7x ↑
4:	10.8x ↗
5:	10.5x ↑
6:	10.2x →
7:	10.3x ↗
8:	10.4x ↖
9:	9.9 ↓
10:	10.3x ↘
Series	103.5
	418.2



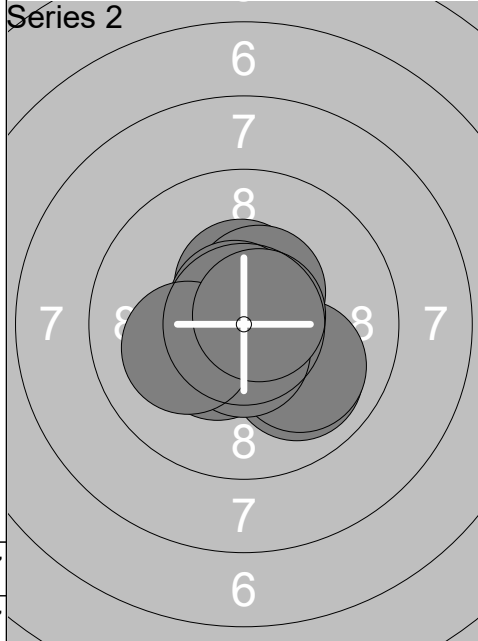
1:	10.7x ↖
2:	9.8 ↑
3:	10.5x ↓
4:	10.8x ↘
5:	10.1 ↖
6:	10.6x ↓
7:	10.4x ↓
8:	10.8x ↗
9:	10.4x ↙
10:	10.4x ↘
Series	104.5
	522.7



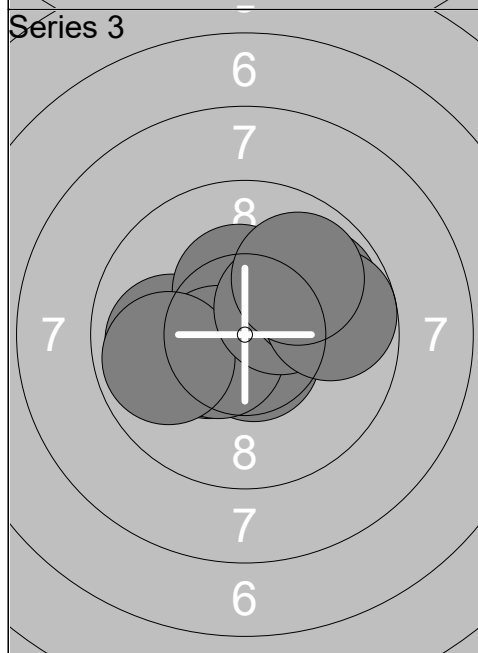
1:	10.6x ↓
2:	10.2x ↑
3:	9.5 ↓
4:	10.1 ↗
5:	10.4x ↘
6:	10.9x ↓
7:	10.0 ↓
8:	10.7x ↗
9:	10.2x ↙
10:	10.4x ↖
Series	103.0
	625.7



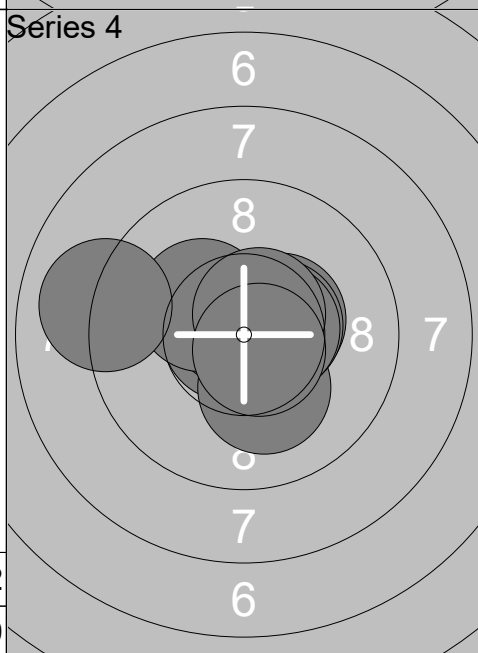
1:	10.4x	↑
2:	10.7x	→
3:	10.7x	↗
4:	9.8	↖
5:	10.6x	→
6:	10.2x	↓
7:	9.9	→
8:	10.2x	→
9:	10.5x	↓
10:	9.7	↑
Series	102.7	
	102.7	



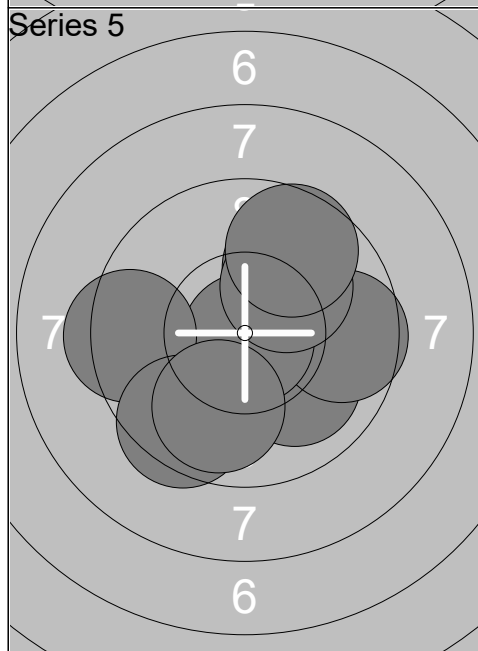
1:	10.4x	↑
2:	9.9	↘
3:	10.4x	↗
4:	10.8x	↓
5:	10.0	↘
6:	10.7x	↖
7:	10.4x	↙
8:	10.6x	↓
9:	10.1	↖
10:	10.7x	↗
Series	104.0	
	206.7	



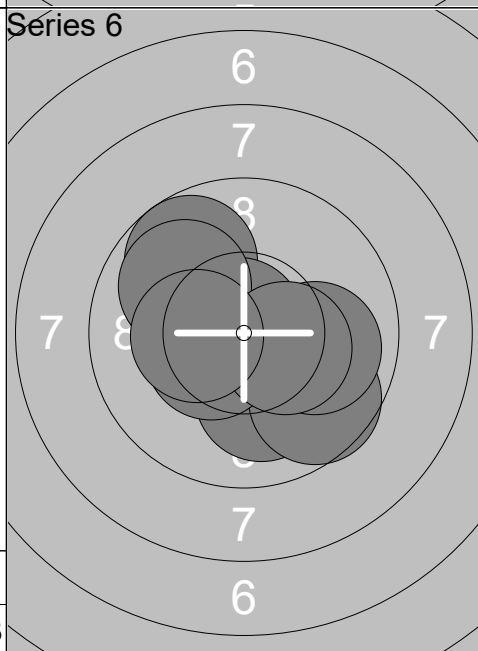
1:	10.4x	↙
2:	9.9	←
3:	10.6x	↓
4:	10.3x	↑
5:	10.5x	↙
6:	9.8	←
7:	10.3x	↗
8:	9.8	↗
9:	9.7	→
10:	9.9	↗
Series	101.2	
	307.9	



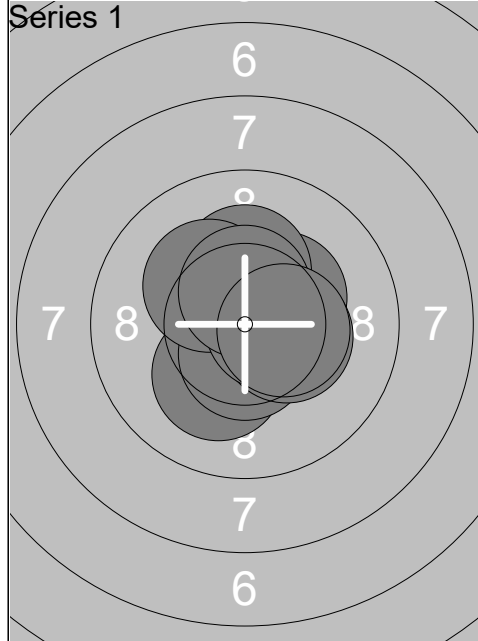
1:	10.7x	←
2:	10.4x	↗
3:	10.7x	↖
4:	10.1	↓
5:	10.5x	→
6:	10.2x	↖
7:	10.5x	→
8:	10.6x	↗
9:	10.6x	↓
10:	9.0	←
Series	103.3	
	411.2	



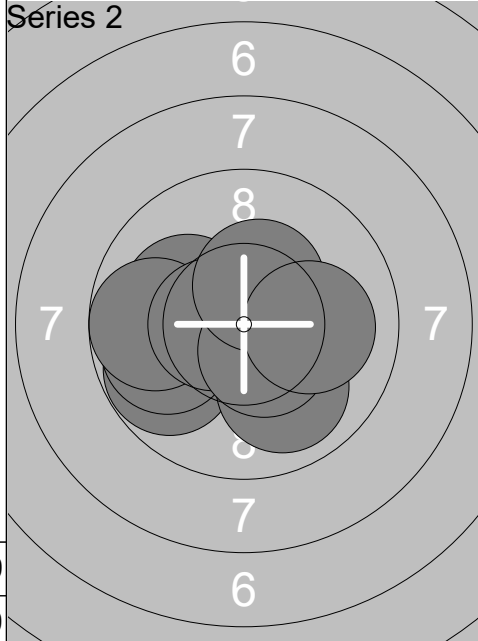
1:	10.5x	→
2:	10.0	↘
3:	9.8	↗
4:	9.6	→
5:	10.8x	↓
6:	9.4	←
7:	9.4	↓
8:	10.1	↗
9:	9.6	↗
10:	9.9	↓
Series	99.1	
	510.3	



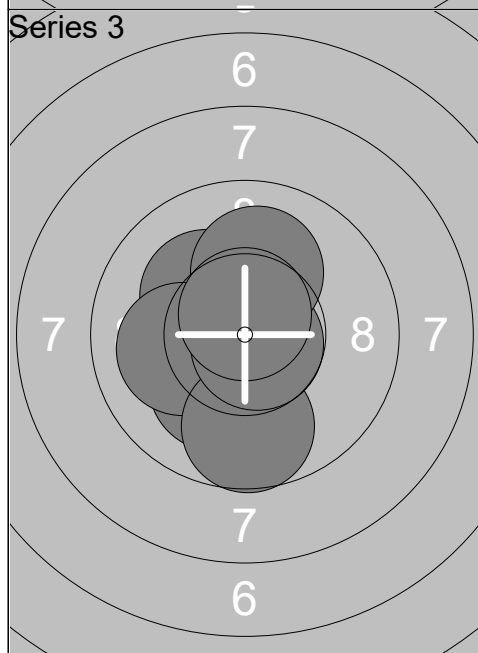
1:	10.1	↓
2:	9.6	↘
3:	10.2x	↖
4:	9.9	→
5:	9.7	↗
6:	10.4x	↙
7:	10.8x	↗
8:	9.9	↗
9:	10.3x	→
10:	10.3x	←
Series	101.2	
	611.5	



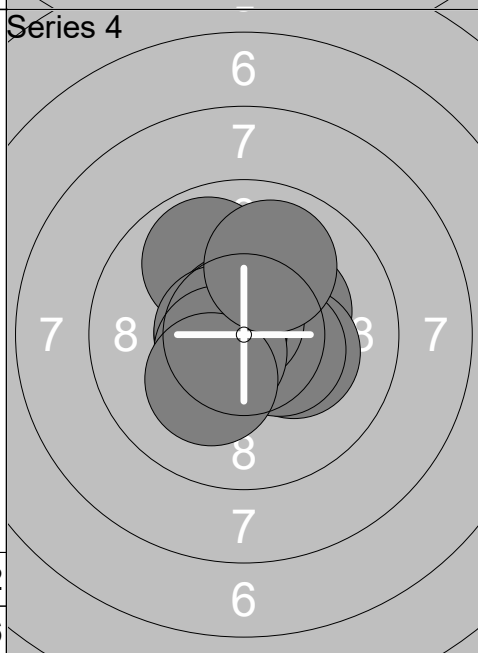
1:	10.3x ↗
2:	10.2x ↑
3:	10.8x ↖
4:	10.1 ↓
5:	10.5x ↓
6:	10.3x →
7:	10.2x ↗
8:	10.6x →
9:	10.5x ↑
10:	10.4x →
Series	103.9
	103.9



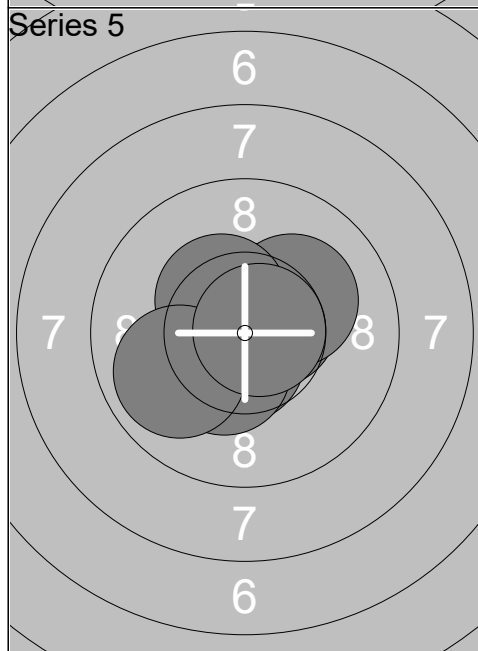
1:	10.6x ↓
2:	9.7 ↙
3:	10.0 ↓
4:	10.1 ↖
5:	9.9 ↖
6:	9.7 ↖
7:	10.5x ↖
8:	10.5x ↓
9:	10.4x ↑
10:	10.1 →
Series	101.5
	205.4



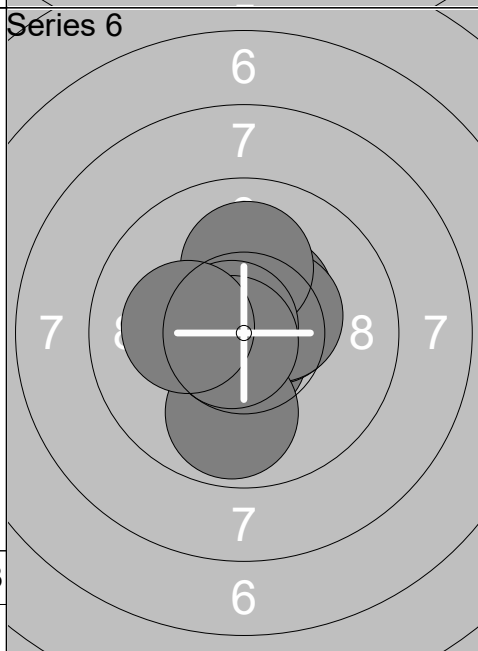
1:	10.4x ↑
2:	10.2x ↖
3:	10.8x ↓
4:	10.4x ↓
5:	10.1 ↓
6:	10.1 ↖
7:	9.7 ↓
8:	10.7x ↘
9:	10.1 ↑
10:	10.7x ↑
Series	103.2
	308.6



1:	10.3x ↗
2:	9.8 ↖
3:	10.2x →
4:	10.4x →
5:	10.7x ↖
6:	10.6x ↖
7:	10.6x ↖
8:	10.5x ↖
9:	10.2x ↓
10:	9.9 ↑
Series	103.2
	411.8

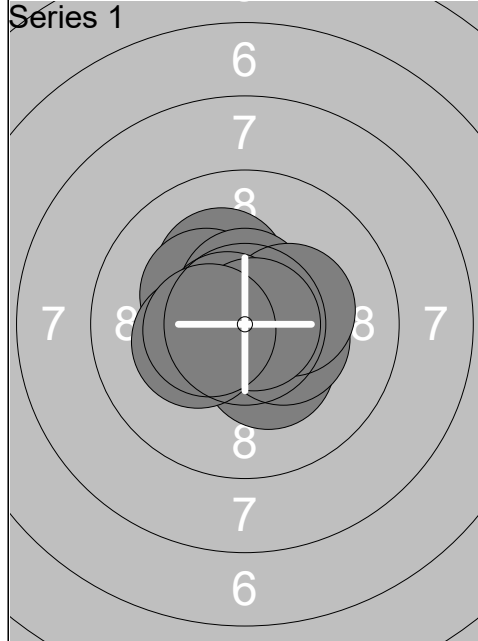


1:	10.6x ↖
2:	10.6x ↓
3:	10.5x ↗
4:	10.5x →
5:	10.5x ↗
6:	10.2x ↗
7:	10.4x ↖
8:	10.4x ↓
9:	9.9 ↖
10:	10.7x →
Series	104.3
	516.1

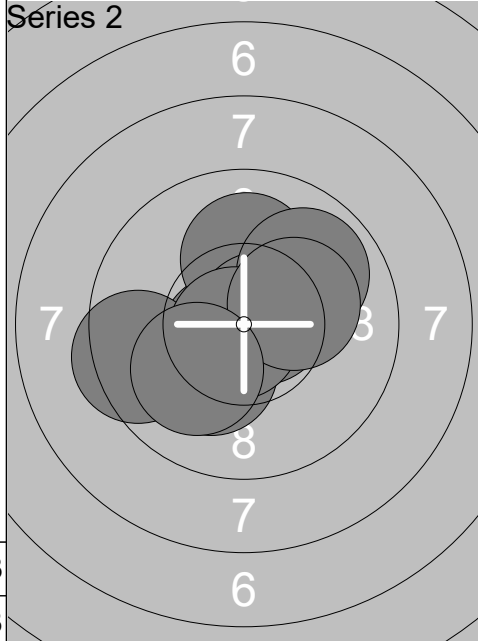


1:	10.9x ↖
2:	10.7x ↓
3:	10.4x ↗
4:	10.5x →
5:	10.4x ↗
6:	9.8 ↓
7:	10.1 ↑
8:	10.7x ↖
9:	10.7x ↖
10:	10.2x ↖
Series	104.4
	620.5

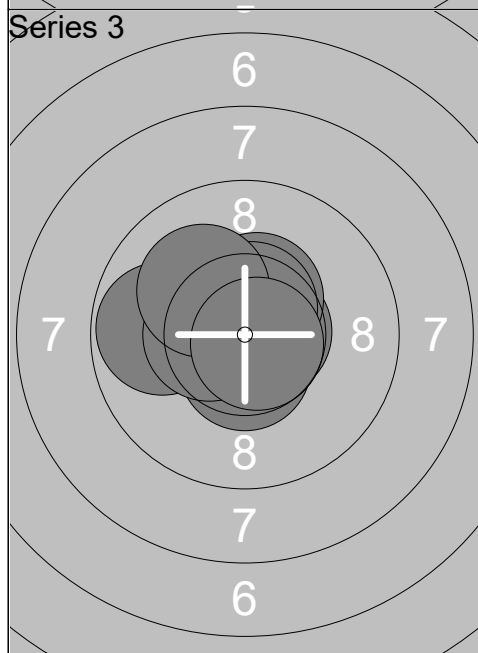
Relay	Lane	Lucile H�elard		
4	6	FRA		WJ
1 Air Qualification		DENMARK OPEN AIR 2023 DAY3		Danmark Open Air 2023
19.02.2023				
Series 1 	1: 10.1 ←	Series 2 	1: 10.6x ↘	
	2: 10.8x ↓		2: 10.6x ↓	
	3: 10.2x ↑		3: 10.3x ←	
	4: 10.3x ←		4: 10.3x ↘	
	5: 10.7x ↘		5: 10.7x ↓	
	6: 9.7 →		6: 10.2x ↓	
	7: 10.6x ↙		7: 10.0 ↑	
	8: 10.8x ↓		8: 10.3x ←	
	9: 9.6 ←		9: 10.5x ↗	
	10: 10.5x →		10: 10.5x ↓	
	Series 103.3		Series 104.0	
	103.3		207.3	
Series 3 	1: 10.3x ↗	Series 4 	1: 10.3x ←	
	2: 10.4x ↑		2: 10.1 ↓	
	3: 10.2x ↖		3: 10.6x ↙	
	4: 10.3x ↗		4: 10.6x ↓	
	5: 10.1 ←		5: 10.5x →	
	6: 10.5x ↗		6: 10.7x ↘	
	7: 10.4x ↖		7: 10.6x ↑	
	8: 10.3x ↓		8: 10.6x ↑	
	9: 10.6x ↗		9: 10.7x ←	
	10: 10.4x ↗		10: 10.8x ←	
	Series 103.5		Series 105.5	
	310.8		416.3	
Series 5 	1: 10.5x ↓	Series 6 	1: 10.7x ↙	
	2: 10.5x ↗		2: 10.8x ↖	
	3: 10.6x ↑		3: 10.1 →	
	4: 10.6x ↓		4: 10.1 ↑	
	5: 10.0 ←		5: 10.1 ↗	
	6: 10.6x ↖		6: 10.5x ↑	
	7: 10.4x ↓		7: 10.8x ↓	
	8: 9.9 ↓		8: 10.7x ↖	
	9: 10.4x ↙		9: 10.5x ←	
	10: 10.2x →		10: 10.5x ↘	
	Series 103.7		Series 104.8	
	520.0		624.8	



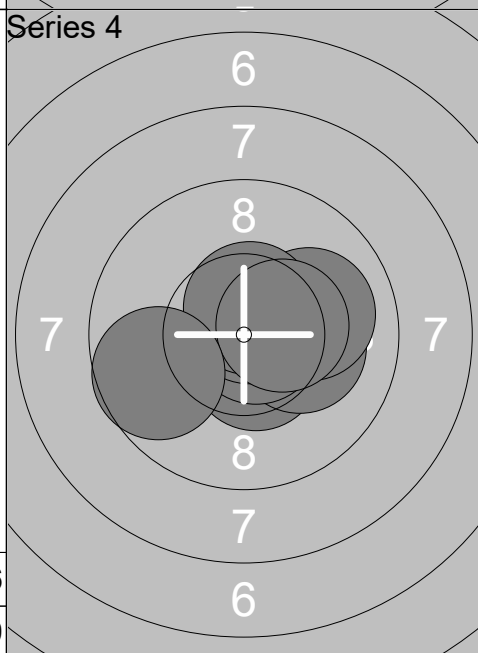
1:	10.2x ↗
2:	10.3x ↘
3:	10.4x →
4:	10.3x ↖
5:	10.5x ↑
6:	10.3x →
7:	10.3x ←
8:	10.7x ←
9:	10.8x →
10:	10.5x ←
Series	104.3
	104.3



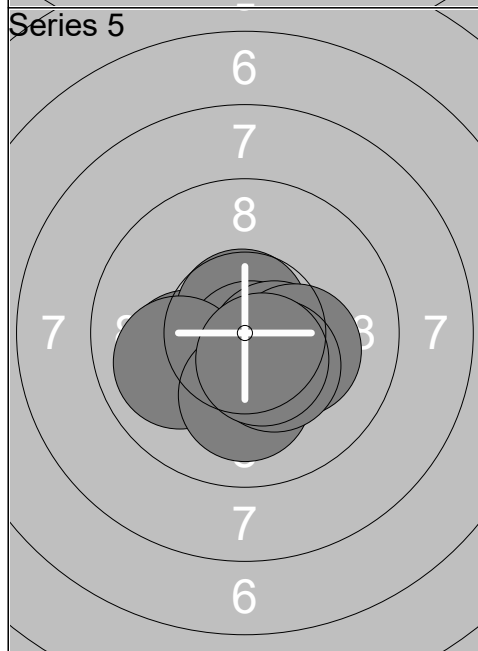
1:	10.6x ↙
2:	9.4 ←
3:	10.2x ↙
4:	10.2x ↗
5:	10.0 ↑
6:	10.7x →
7:	9.9 ↗
8:	10.8x ↙
9:	10.2x →
10:	10.0 ↙
Series	102.0
	206.3



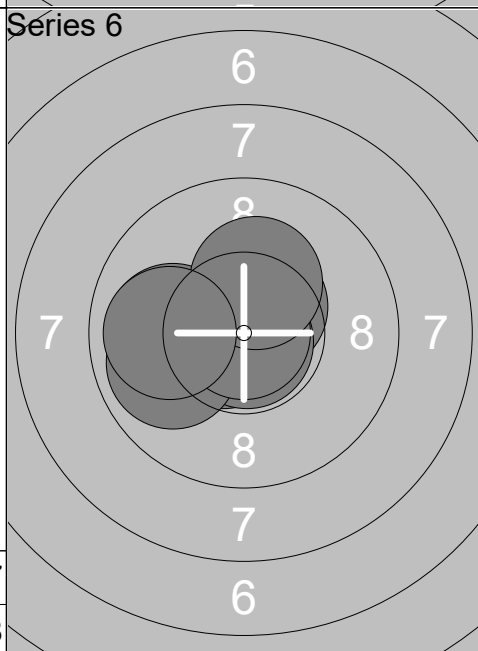
1:	10.7x ↓
2:	9.8 ←
3:	10.7x ←
4:	10.7x →
5:	10.4x ↑
6:	10.5x ↓
7:	10.6x ↑
8:	10.4x ←
9:	10.1 ↖
10:	10.7x ↘
Series	104.6
	310.9



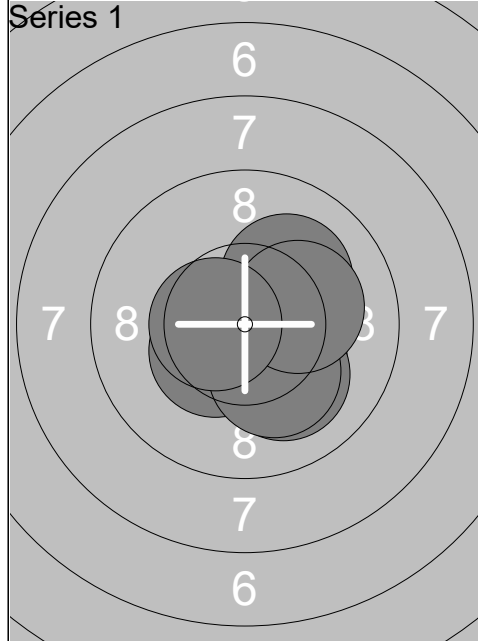
1:	10.5x ↓
2:	10.8x →
3:	10.7x ↗
4:	10.2x →
5:	10.8x →
6:	10.0 →
7:	10.7x ↑
8:	10.5x ↑
9:	10.4x →
10:	9.6 ←
Series	104.2
	415.1



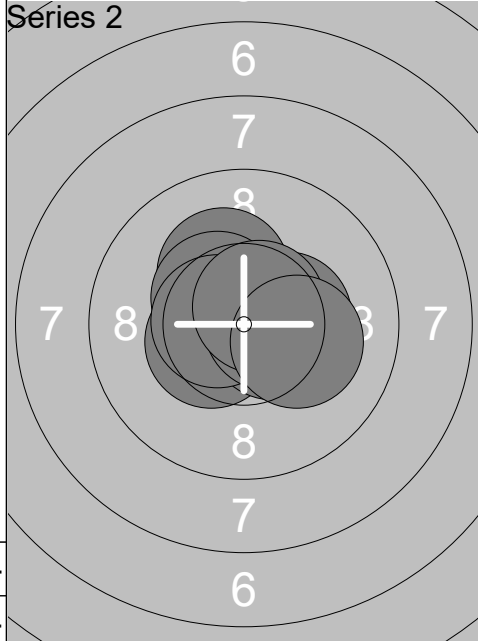
1:	10.1 ←
2:	10.6x ↙
3:	10.7x ↑
4:	10.7x ↓
5:	10.0 ←
6:	10.5x →
7:	10.2x →
8:	10.1 ↓
9:	10.3x ↓
10:	10.5x ↓
Series	103.7
	518.8



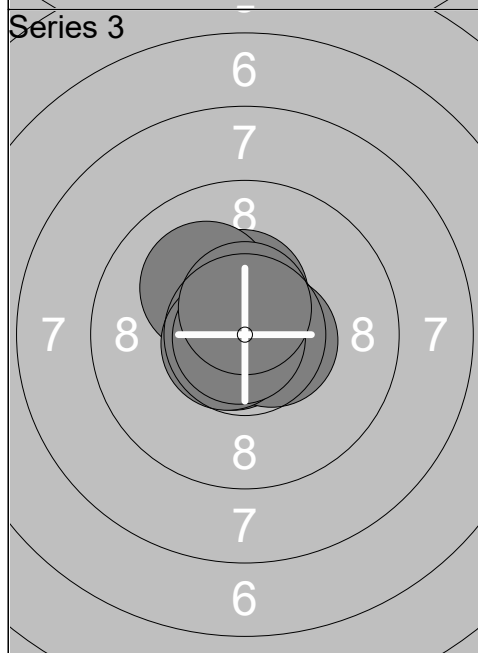
1:	10.5x ↗
2:	10.9x
3:	10.6x ←
4:	10.0 ←
5:	10.5x ↗
6:	10.8x ↓
7:	9.9 ←
8:	10.9x
9:	10.2x ↑
10:	9.9 ←
Series	104.2
	623.0



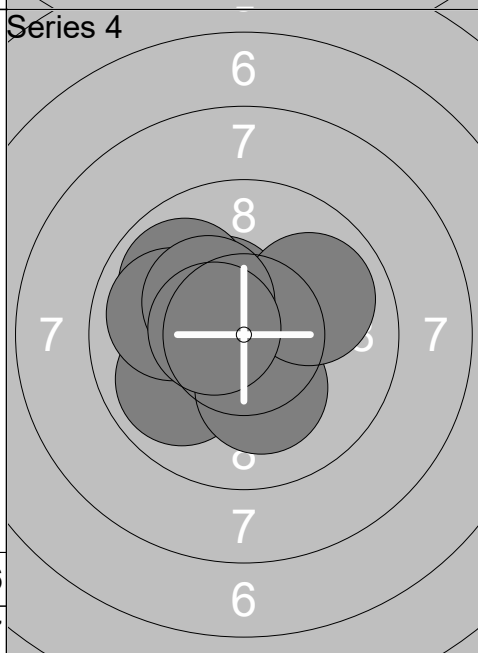
1:	10.3x ↘
2:	10.6x →
3:	10.5x ↗
4:	10.5x ↘
5:	10.1 ↘
6:	10.4x ↙
7:	10.2x ↘
8:	10.1 ↗
9:	10.2x →
10:	10.5x ←
Series	103.4
	103.4



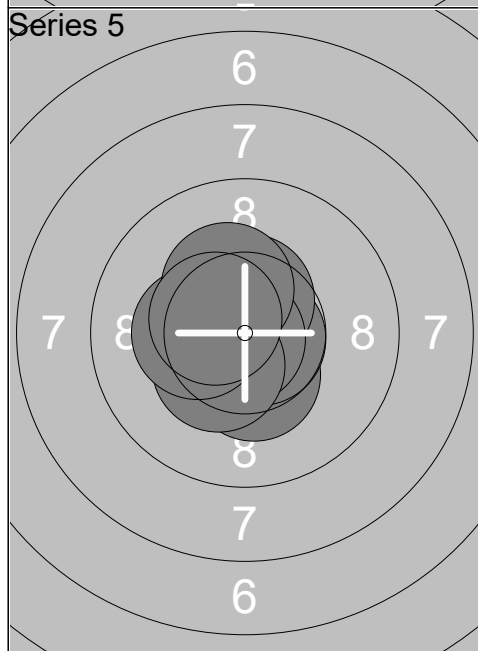
1:	10.8x ←
2:	10.2x ↗
3:	10.4x ↙
4:	10.5x →
5:	10.4x ↗
6:	10.6x ←
7:	10.6x →
8:	10.4x →
9:	10.6x ↗
10:	10.2x →
Series	104.7
	208.1



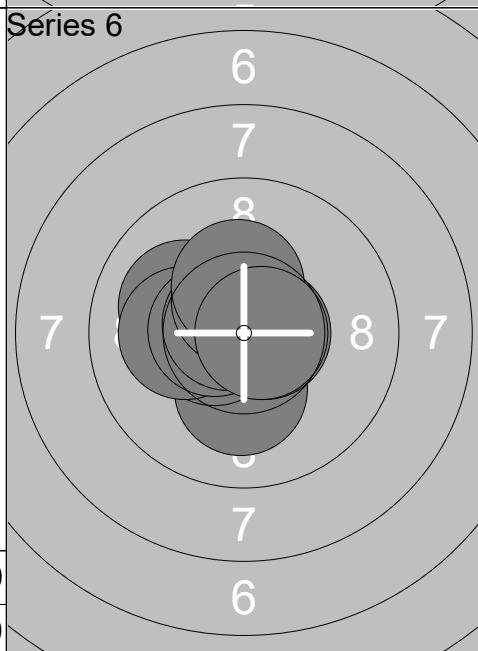
1:	10.4x ↗
2:	10.6x ↑
3:	10.4x ↑
4:	10.7x ↙
5:	10.8x ↗
6:	10.1 ↗
7:	10.6x →
8:	10.6x ↙
9:	10.8x ↙
10:	10.6x ↑
Series	105.6
	313.7



1:	10.4x ↗
2:	9.9 ↗
3:	10.6x ←
4:	10.7x ↘
5:	9.9 ↙
6:	10.2x ↘
7:	9.9 ←
8:	9.9 ↗
9:	10.3x ↗
10:	10.5x ←
Series	102.3
	416.0



1:	10.4x ↘
2:	10.5x ↑
3:	10.7x →
4:	10.5x ↑
5:	10.5x ↗
6:	10.8x ↙
7:	10.4x ↘
8:	10.3x ←
9:	10.3x ↗
10:	10.5x ↙
Series	104.9
	520.9

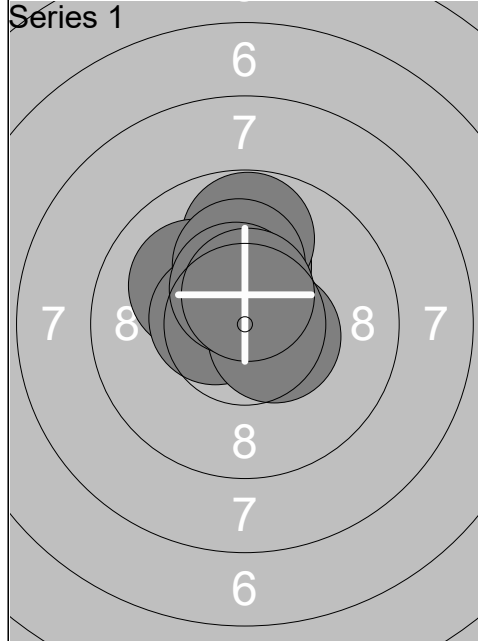


1:	10.2x ↘
2:	10.1 ←
3:	10.5x ←
4:	10.1 ←
5:	10.5x ←
6:	10.7x ↙
7:	10.5x ↑
8:	10.6x →
9:	10.3x ↑
10:	10.7x →
Series	104.2
	625.1

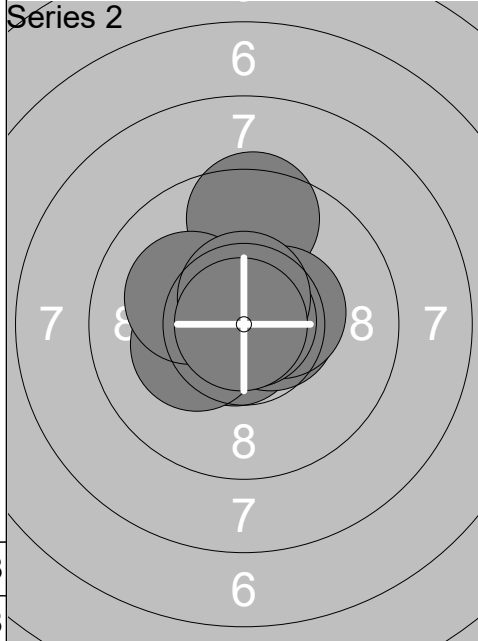
Relay 4	Lane 9	Manon Herbulot	
-------------------	------------------	-----------------------	--

1 Air Qualification	FRA	WJ	
---------------------	-----	----	--

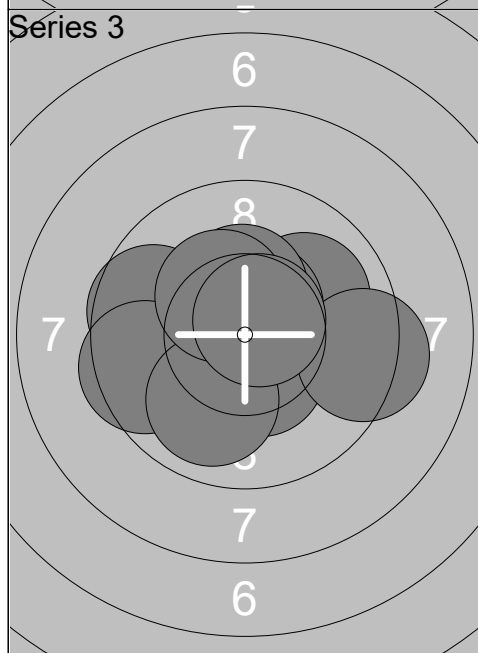
19.02.2023	DENMARK OPEN AIR 2023 DAY3	Danmark Open Air 2023	
------------	----------------------------	-----------------------	--



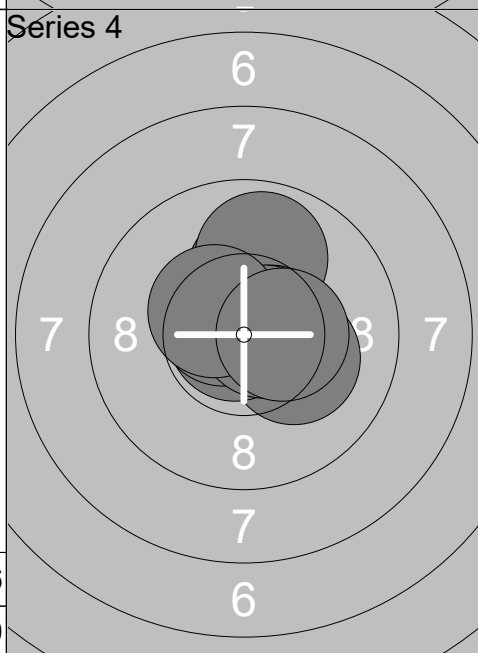
1:	10.7x	→
2:	10.1	↑
3:	10.1	↑
4:	9.8	↑
5:	10.1	↖
6:	10.1	↑
7:	10.5x	←
8:	10.5x	⇒
9:	10.4x	↑
10:	10.5x	↑
Series	102.8	
	102.8	



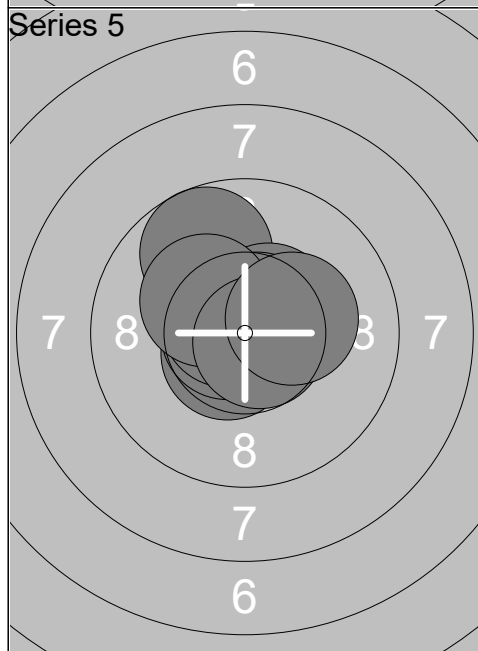
1:	10.7x	↘
2:	10.2x	↙
3:	9.5	↑
4:	10.6x	→
5:	10.4x	→
6:	10.9x	↗
7:	10.6x	↖
8:	10.1	↖
9:	10.6x	↑
10:	10.9x	←
Series	104.5	
	207.3	



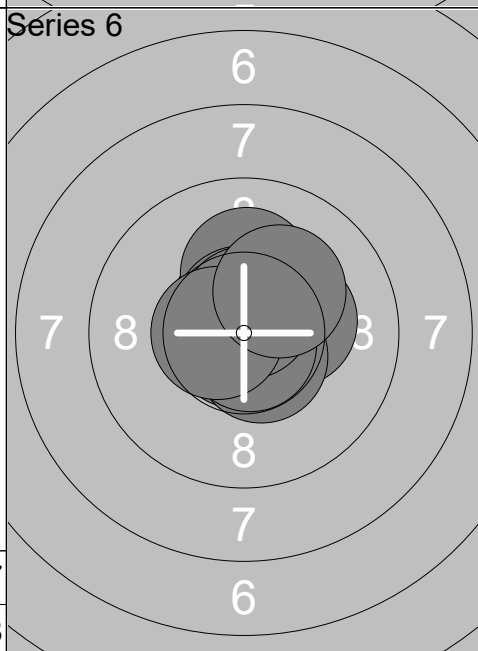
1:	10.0	↗
2:	9.7	←
3:	10.4x	↘
4:	9.5	←
5:	9.9	↘
6:	9.3	→
7:	10.5x	↗
8:	10.3x	↑
9:	10.3x	↖
10:	10.7x	↗
Series	100.6	
	307.9	



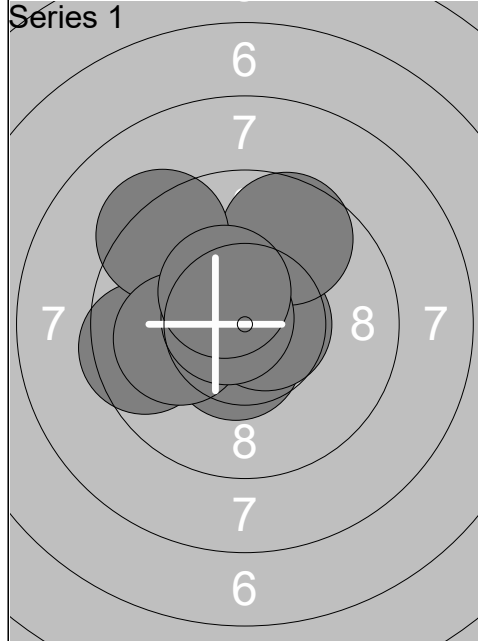
1:	10.2x	⇒
2:	10.5x	↑
3:	10.8x	←
4:	10.1	↑
5:	10.6x	↖
6:	9.9	↑
7:	10.6x	→
8:	10.7x	→
9:	10.4x	↖
10:	10.4x	→
Series	104.2	
	412.1	



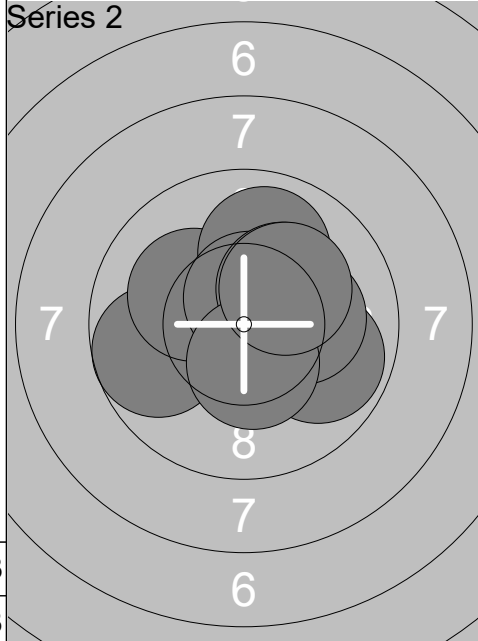
1:	10.6x	↗
2:	10.6x	↘
3:	9.7	↖
4:	10.5x	↗
5:	10.7x	↗
6:	10.7x	←
7:	10.7x	↖
8:	10.2x	↖
9:	10.7x	⇒
10:	10.3x	→
Series	104.7	
	516.8	



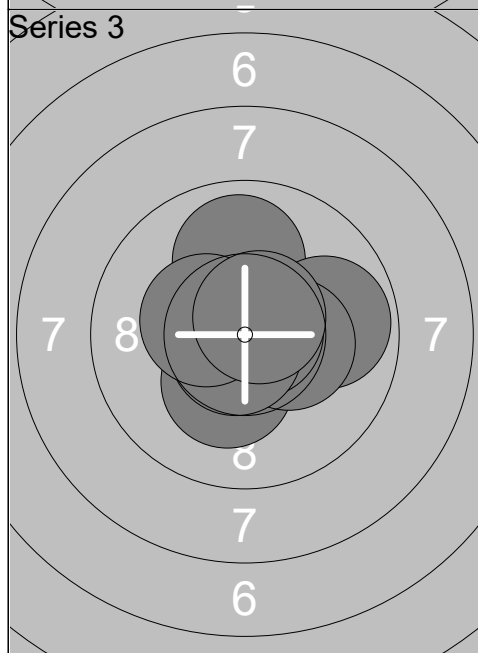
1:	10.8x	↘
2:	10.6x	↑
3:	10.2x	→
4:	10.5x	↘
5:	10.1	↑
6:	10.6x	↑
7:	10.7x	↘
8:	10.6x	↑
9:	10.6x	←
10:	10.2x	↗
Series	104.9	
	621.7	



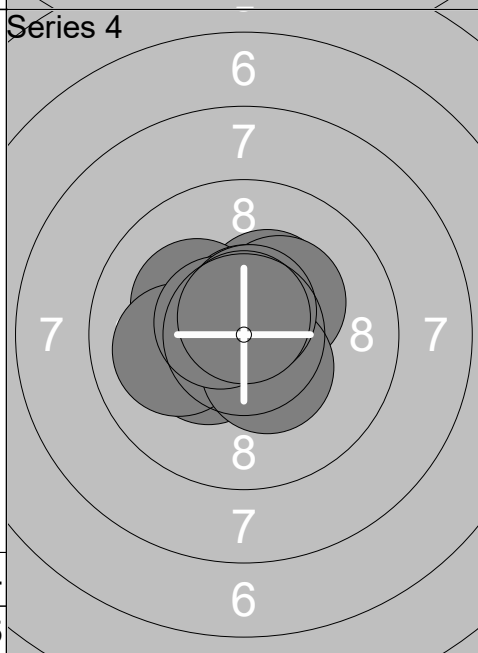
1: 10.3x ←
2: 10.3x ←
3: 10.5x ↓
4: 10.6x →
5: 9.5 ←
6: 9.7 ↗
7: 9.3 ↖
8: 10.0 ←
9: 10.7x ←
10: 10.4x ↖
Series 101.3
101.3



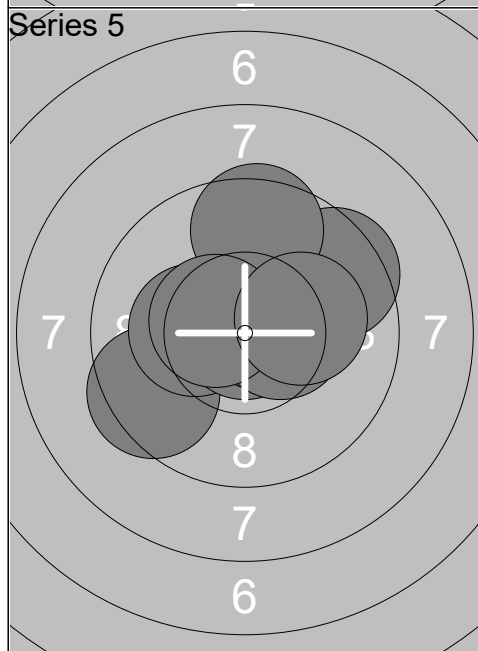
1: 9.8 ↘
2: 10.8x ↖
3: 9.7 ←
4: 10.1 ↖
5: 9.9 ↗
6: 10.5x ↗
7: 10.2x ↗
8: 10.2x →
9: 10.4x ↓
10: 10.2x ↗
Series 101.8
203.1



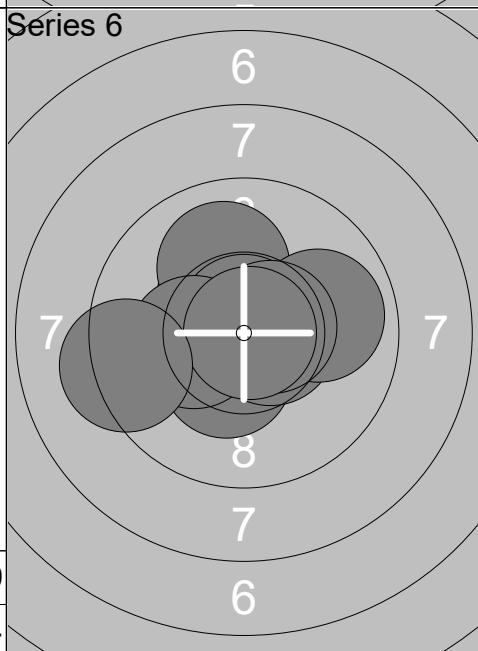
1: 10.6x ↗
2: 10.3x ↓
3: 9.9 ↗
4: 10.9x →
5: 9.9 →
6: 10.3x →
7: 10.8x →
8: 10.7x ↓
9: 10.4x ←
10: 10.6x ↗
Series 104.4
307.5



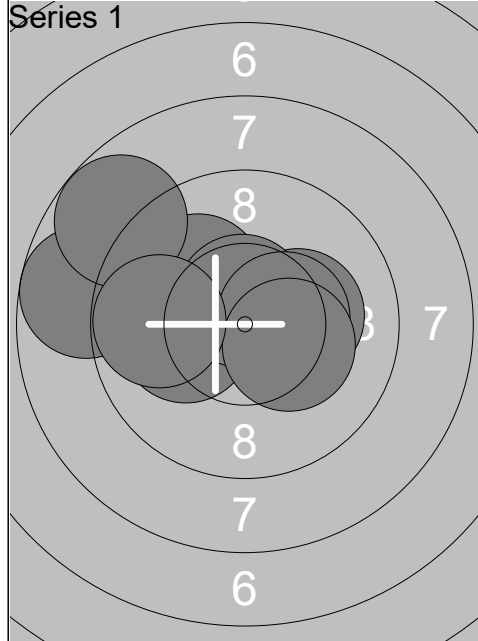
1: 10.3x ↖
2: 10.3x ↗
3: 10.3x ↗
4: 10.2x ↖
5: 10.0 ←
6: 10.4x ↓
7: 10.6x ↗
8: 10.6x ↖
9: 10.6x ↗
10: 10.7x ↗
Series 104.0
411.5



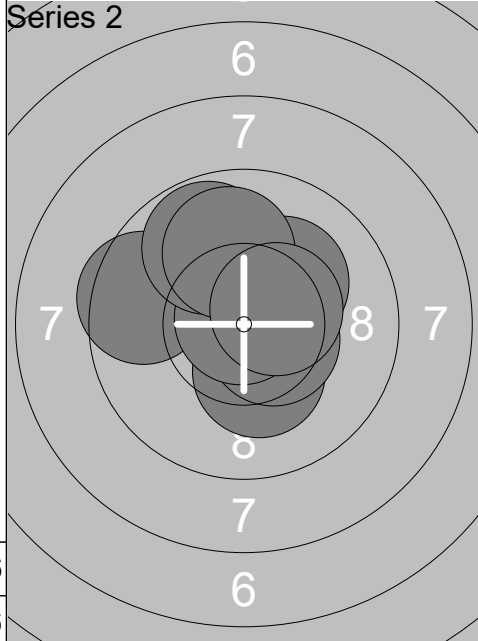
1: 9.4 ↖
2: 10.2x ←
3: 10.6x →
4: 9.5 ↗
5: 10.9x
6: 10.7x ↗
7: 9.5 ↗
8: 10.5x →
9: 10.5x ←
10: 10.1 →
Series 101.9
513.4



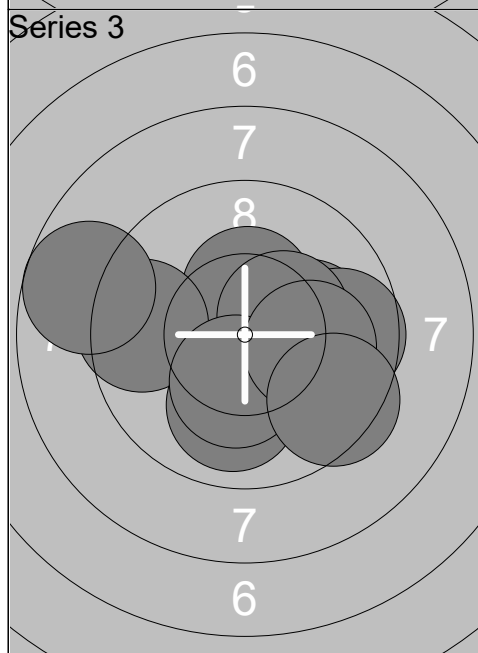
1: 10.4x ↖
2: 10.0 ↗
3: 10.8x ↗
4: 10.3x ↓
5: 10.5x →
6: 9.9 →
7: 10.2x ←
8: 10.6x →
9: 10.8x →
10: 9.3 ←
Series 102.8
616.2



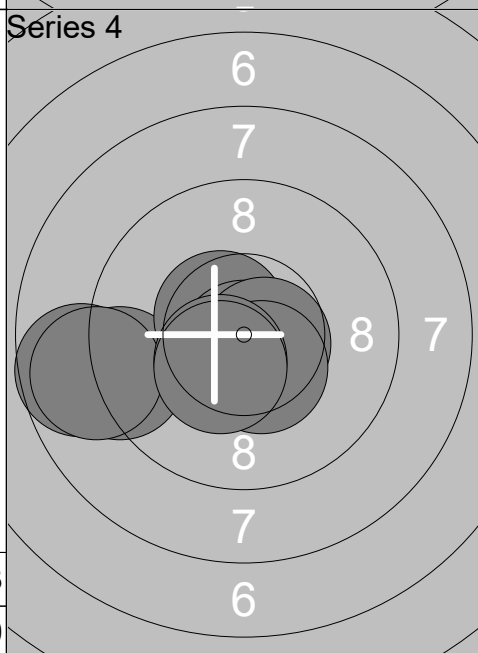
1:	8.7	←
2:	10.0	↖
3:	10.2x	→
4:	10.8x	↖
5:	10.1	←
6:	10.6x	↑
7:	8.7	↖
8:	10.4x	→
9:	10.3x	⇒
10:	9.8	←
Series		99.6
		99.6



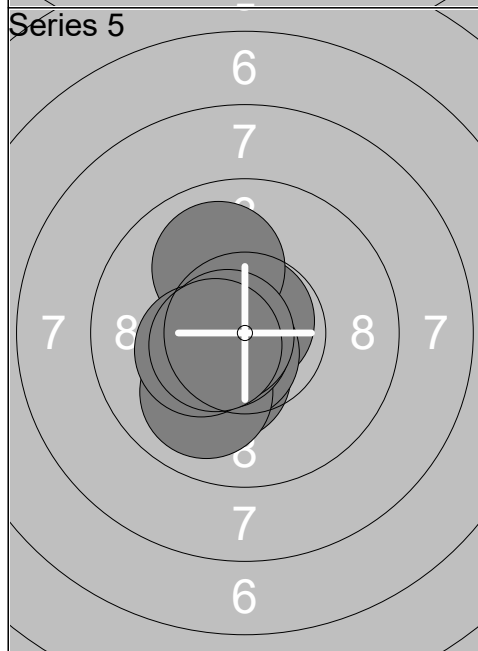
1:	9.5	←
2:	10.2x	↑
3:	10.1	↗
4:	10.2x	↓
5:	10.5x	⇒
6:	10.6x	↑
7:	10.8x	↖
8:	9.8	↑
9:	10.0	↑
10:	10.4x	↗
Series		102.1
		201.7



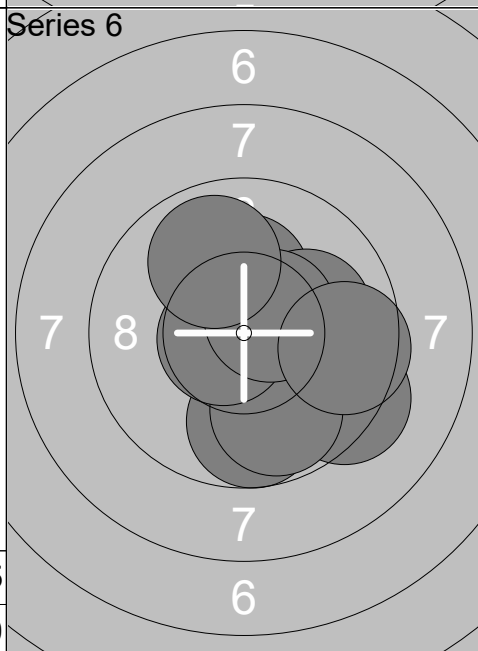
1:	10.1	→
2:	10.4x	↑
3:	9.5	←
4:	9.6	→
5:	10.0	↓
6:	10.3x	↗
7:	10.3x	↓
8:	10.0	→
9:	9.4	⇒
10:	8.7	←
Series		98.3
		300.0



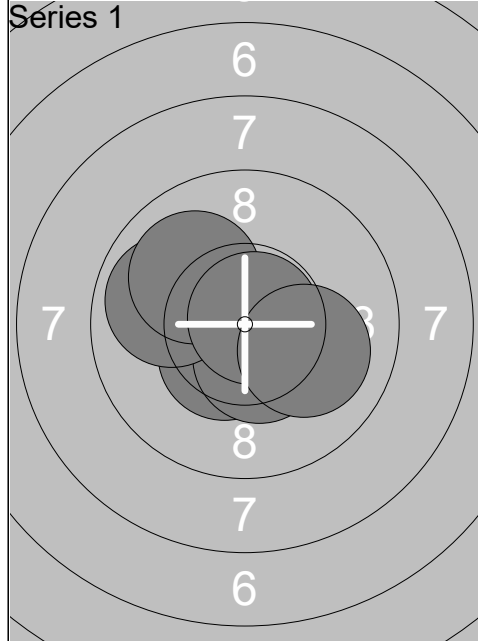
1:	10.6x	↙
2:	9.2	←
3:	10.5x	↖
4:	10.8x	↓
5:	10.6x	⇒
6:	8.7	←
7:	8.9	←
8:	10.4x	↓
9:	10.4x	↙
10:	10.4x	↙
Series		100.5
		400.5



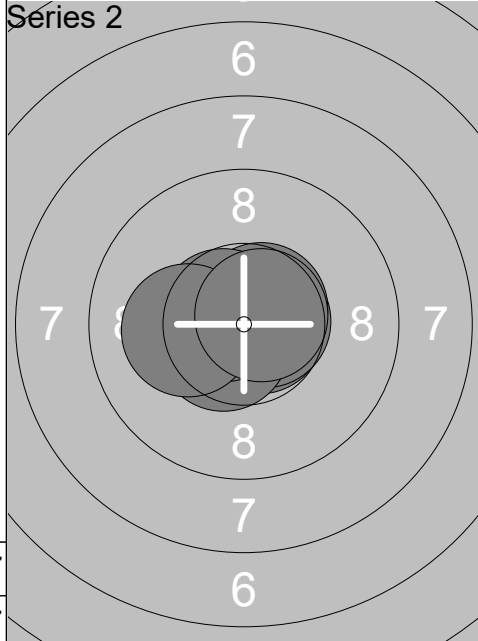
1:	10.7x	←
2:	10.8x	↑
3:	10.3x	↙
4:	10.6x	↙
5:	10.0	↓
6:	10.6x	←
7:	10.0	↑
8:	10.3x	←
9:	10.7x	←
10:	10.5x	←
Series		104.5
		505.0



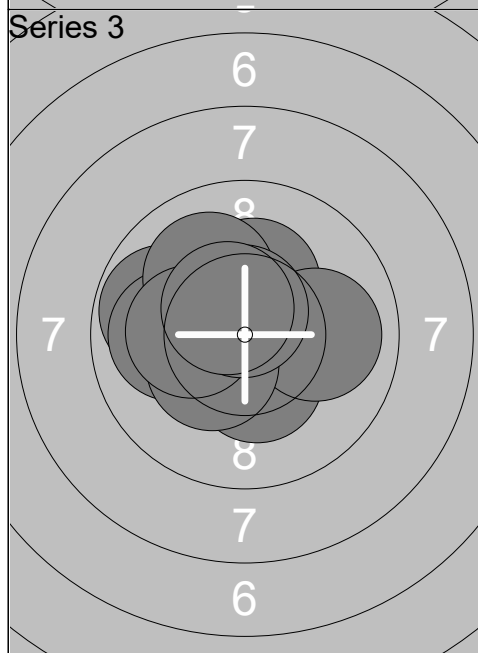
1:	10.8x	↓
2:	10.2x	↑
3:	9.7	↓
4:	9.3	⇒
5:	9.8	↓
6:	10.6x	←
7:	10.1	→
8:	10.5x	↗
9:	9.5	→
10:	9.9	↑
Series		100.4
		605.4



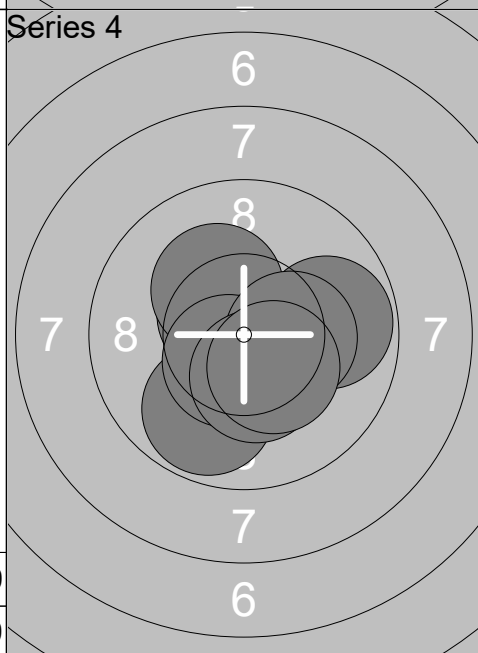
1:	10.7x ↘
2:	10.7x ↘
3:	10.8x ↓
4:	10.8x ↓
5:	10.4x ↘
6:	10.5x ↘
7:	9.9 ←
8:	10.0 ↗
9:	10.8x ↗
10:	10.1 →
Series	104.7
	104.7



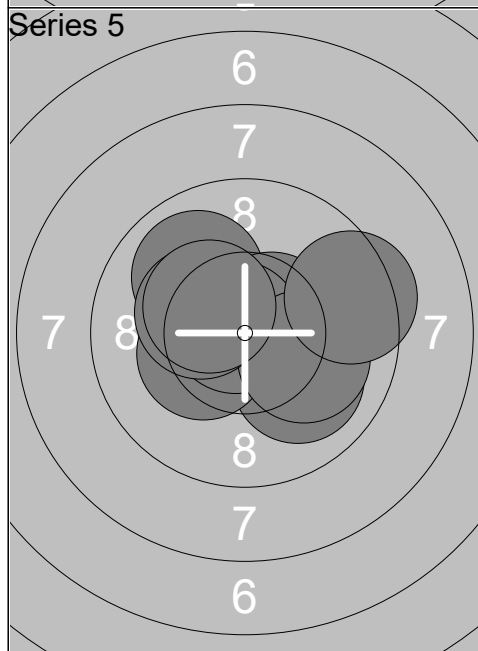
1:	10.8x ↗
2:	10.7x →
3:	10.6x →
4:	10.8x ←
5:	10.8x ↖
6:	10.5x ↙
7:	10.6x ↗
8:	10.6x ↖
9:	10.2x ←
10:	10.7x ↗
Series	106.3
	211.0



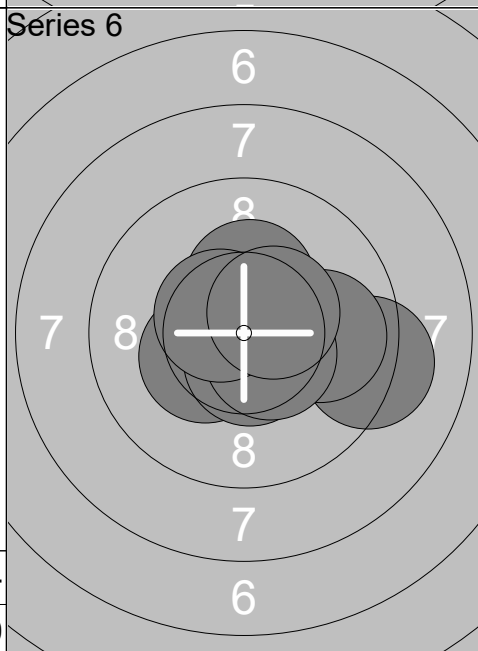
1:	10.3x ↓
2:	9.8 ←
3:	10.0 ←
4:	10.2x ↑
5:	10.0 ↗
6:	10.0 →
7:	10.3x ↙
8:	10.2x ←
9:	10.6x ↑
10:	10.5x ↖
Series	101.9
	312.9



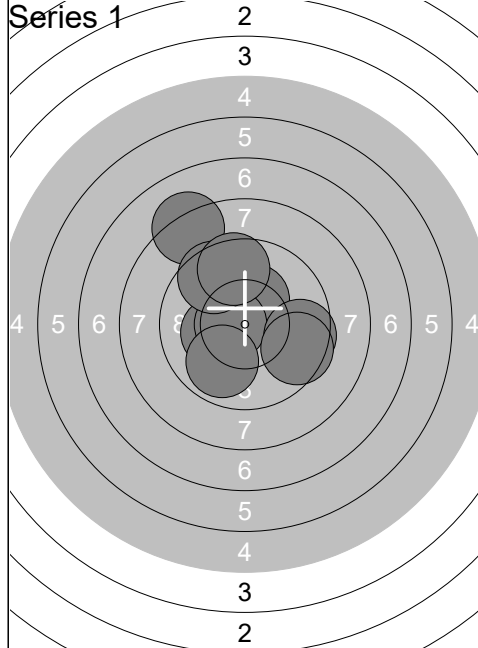
1:	10.5x ↘
2:	10.5x ↖
3:	10.5x →
4:	10.2x ↖
5:	9.8 →
6:	9.8 ↓
7:	10.5x ↙
8:	10.3x →
9:	10.3x ↓
10:	10.3x ↘
Series	102.7
	415.6



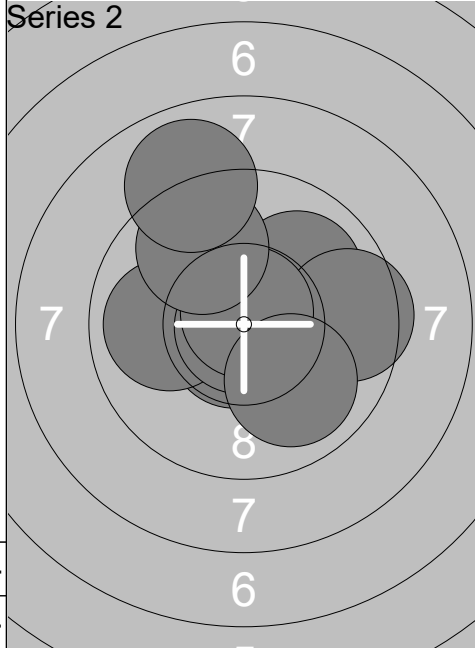
1:	10.0 ↘
2:	10.8x ↑
3:	9.9 ↖
4:	10.5x ↗
5:	10.3x ←
6:	10.8x ↖
7:	10.1 →
8:	10.3x ↖
9:	10.3x ↖
10:	9.4 →
Series	102.4
	518.0



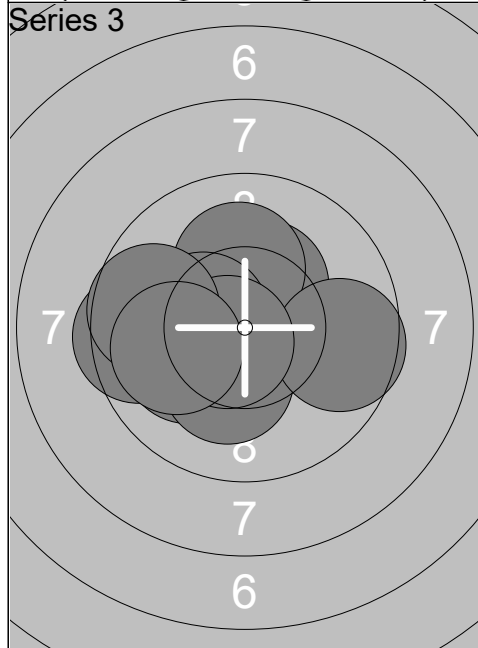
1:	9.2 →
2:	10.4x →
3:	10.3x ↑
4:	10.6x →
5:	9.9 →
6:	10.3x ↙
7:	10.6x ↓
8:	10.5x ↘
9:	10.5x ↖
10:	10.4x ↗
Series	102.7
	620.7



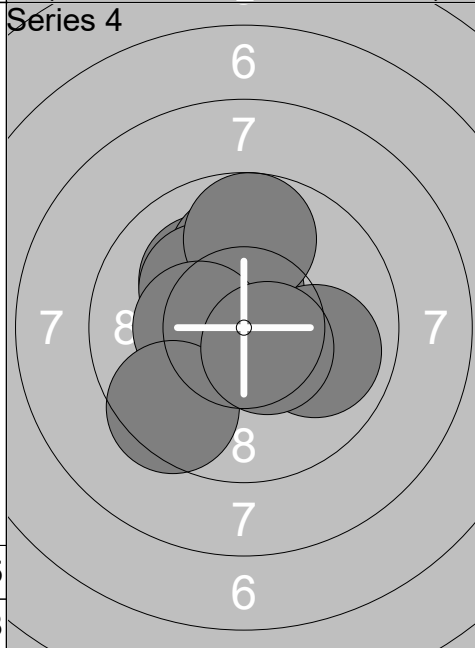
1:	8.2 ↖
2:	10.2x ←
3:	10.3x ↑
4:	10.3x ↑
5:	10.6x ←
6:	9.5 ↗
7:	9.5 →
8:	9.5 ↘
9:	9.5 ↑
10:	9.8 ↓
Series	97.4
	97.4



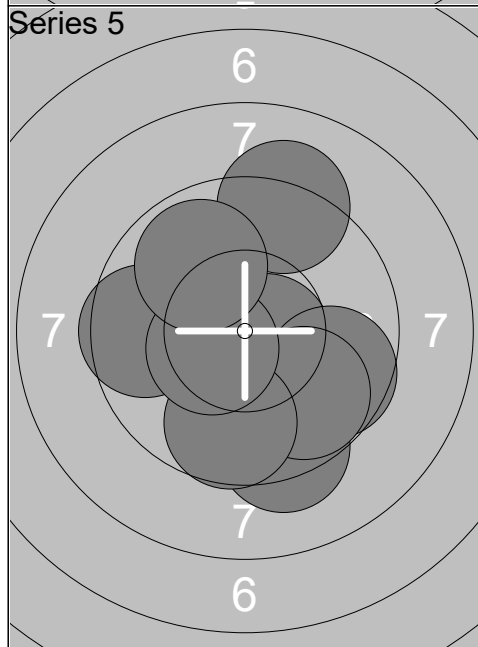
1:	10.6x ←
2:	10.7x ↓
3:	10.0 ↗
4:	9.9 ←
5:	9.5 →
6:	10.9x ↙
7:	10.8x ↑
8:	9.7 ↗
9:	8.9 ↑
10:	9.9 ↓
Series	100.9
	198.3



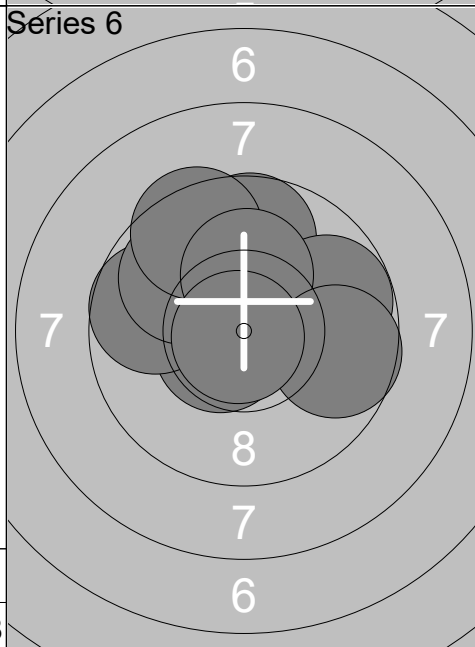
1:	10.1 ←
2:	10.3x ↑
3:	10.2x ↓
4:	10.1 ↑
5:	9.6 →
6:	10.4x ←
7:	9.5 ←
8:	10.6x ↙
9:	9.7 ←
10:	10.0 ←
Series	100.5
	298.8



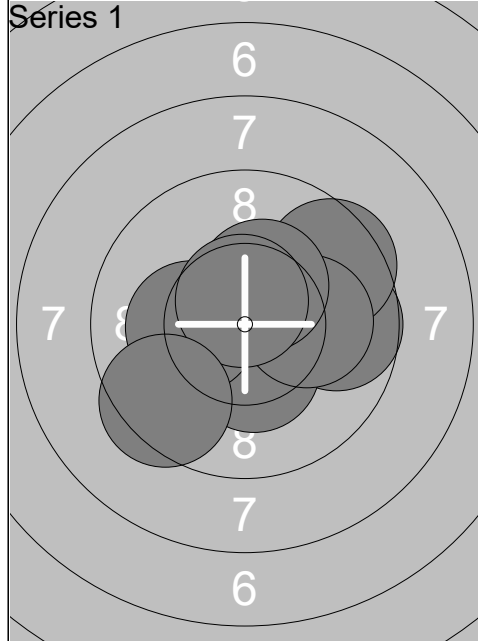
1:	10.1 ↖
2:	10.2x ↑
3:	10.5x ↑
4:	10.0 ↑
5:	10.2x ↖
6:	9.7 ↑
7:	9.9 →
8:	10.3x ←
9:	9.5 ↓
10:	10.5x ↘
Series	100.9
	399.7



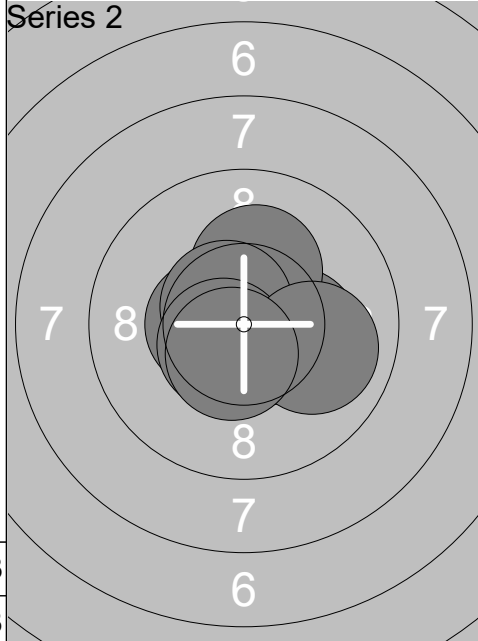
1:	9.2 ↑
2:	10.6x →
3:	10.1 ↓
4:	9.6 →
5:	9.6 ←
6:	9.3 ↓
7:	9.8 ↓
8:	9.7 ↓
9:	10.4x ↙
10:	9.8 ↗
Series	98.1
	497.8



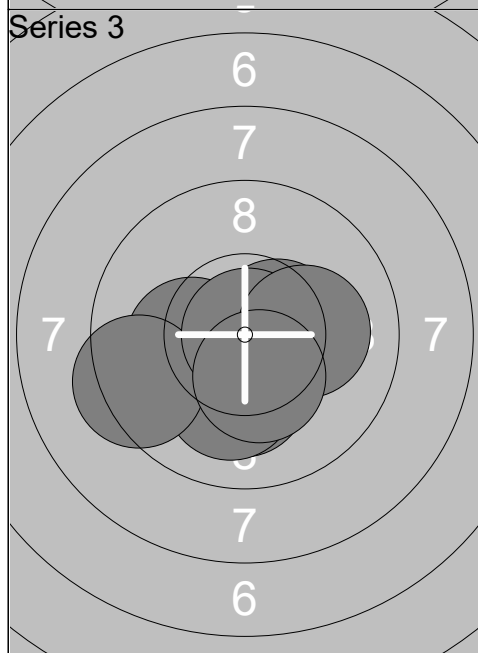
1:	10.5x ↙
2:	9.7 ←
3:	10.5x ↑
4:	9.7 ↑
5:	9.8 ↖
6:	9.7 →
7:	9.5 ↗
8:	10.2x ↑
9:	9.7 →
10:	10.8x ↙
Series	100.1
	597.9



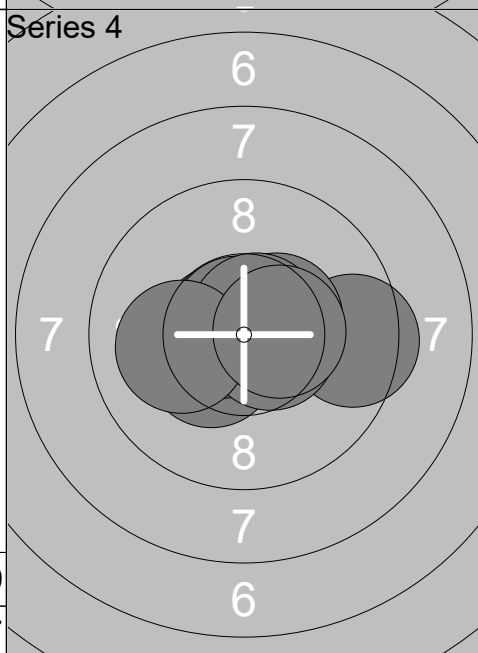
1:	9.7	→
2:	10.6x	↓
3:	10.4x	↙
4:	10.4x	↓
5:	9.5	↗
6:	10.2x	↙
7:	10.1	→
8:	10.4x	↗
9:	10.6x	↑
10:	9.4	↙
Series	101.3	
	101.3	



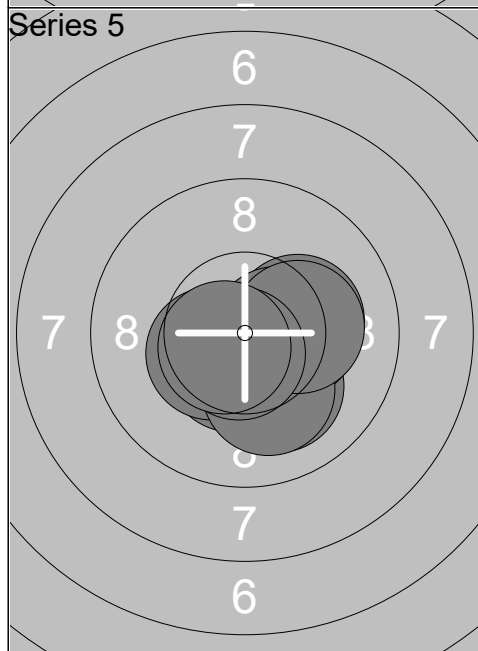
1:	10.6x	↘
2:	10.2x	→
3:	10.8x	↙
4:	10.2x	↑
5:	10.6x	↙
6:	10.5x	↙
7:	10.6x	↖
8:	10.5x	↙
9:	10.0	→
10:	10.5x	↓
Series	104.5	
	205.8	



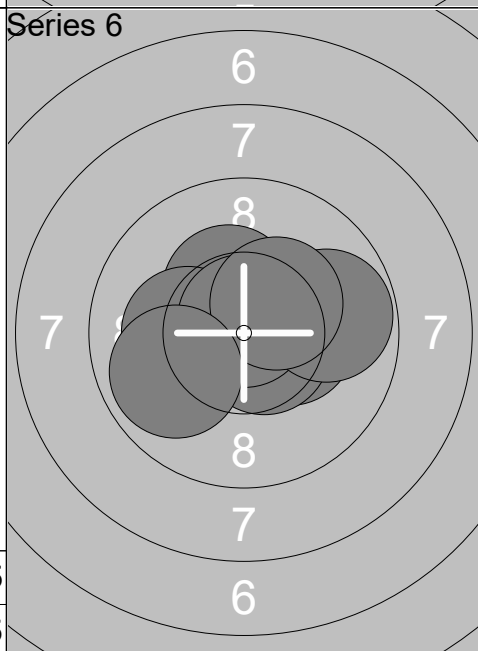
1:	10.6x	↘
2:	10.5x	→
3:	10.2x	↓
4:	10.2x	↙
5:	10.7x	↘
6:	10.1	↓
7:	9.3	←
8:	10.9x	→
9:	10.1	→
10:	10.3x	↓
Series	102.9	
	308.7	



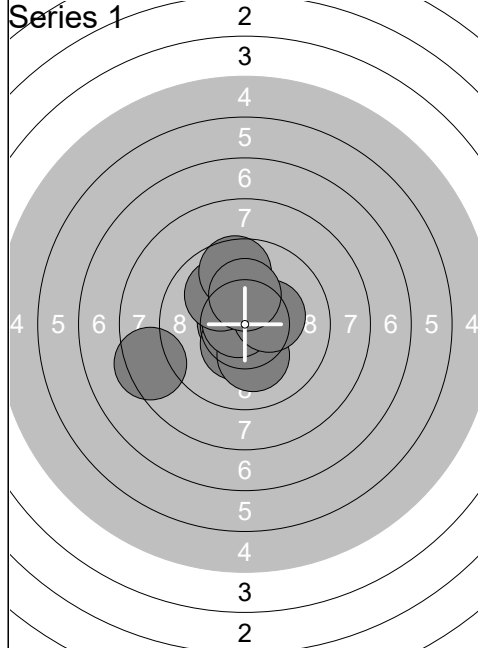
1:	10.7x	→
2:	10.4x	↙
3:	10.7x	↙
4:	9.5	→
5:	10.5x	↗
6:	10.7x	↖
7:	10.5x	→
8:	10.7x	↗
9:	10.1	←
10:	10.5x	→
Series	104.3	
	413.0	



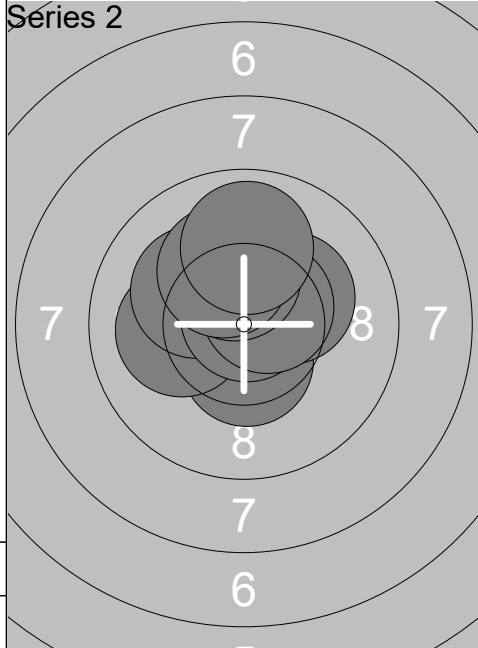
1:	10.5x	↓
2:	10.1	↓
3:	10.3x	→
4:	10.4x	↙
5:	10.2x	→
6:	10.5x	→
7:	10.1	↓
8:	10.2x	→
9:	10.6x	↓
10:	10.6x	↙
Series	103.5	
	516.5	



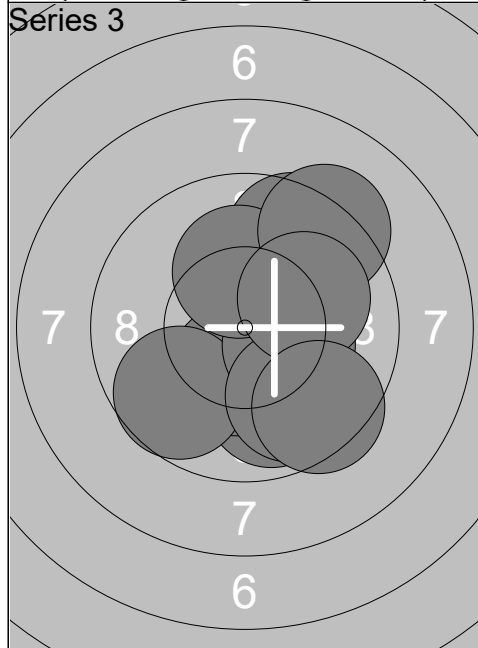
1:	10.3x	↖
2:	10.9x	↗
3:	10.2x	↙
4:	10.6x	→
5:	10.3x	→
6:	10.6x	↘
7:	10.8x	↑
8:	9.8	→
9:	10.3x	↗
10:	9.9	↙
Series	103.7	
	620.2	



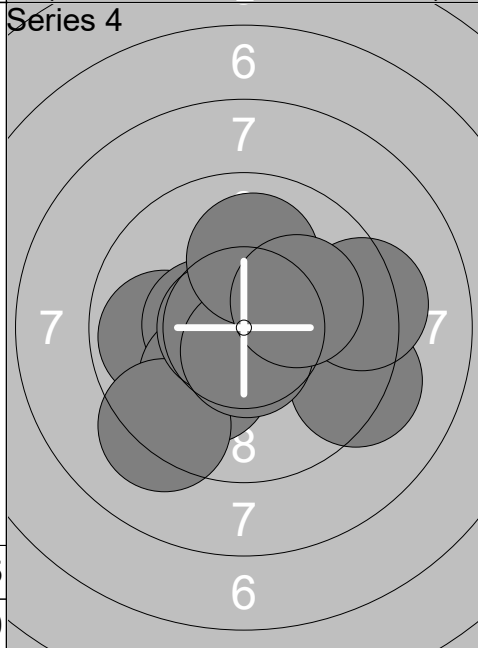
1:	10.6x	←
2:	10.7x	↑
3:	10.4x	↘
4:	8.4	←
5:	10.2x	↘
6:	10.7x	↖
7:	10.0	↗
8:	10.3x	→
9:	9.6	↑
10:	10.2x	↑
Series	101.1	
	101.1	



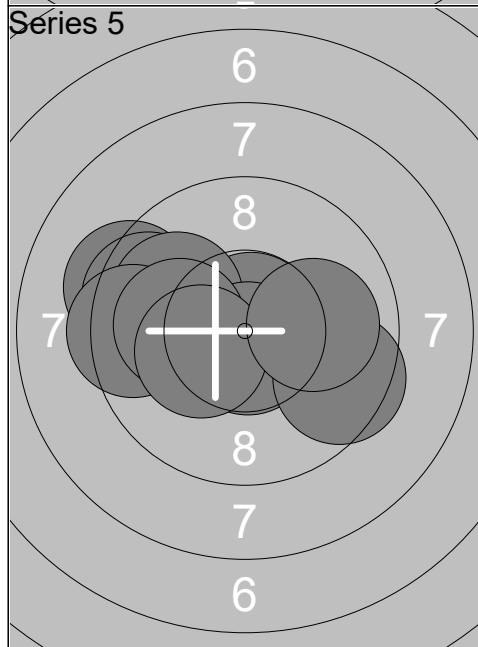
1:	10.9x	←
2:	10.4x	↘
3:	10.1	←
4:	10.2x	↖
5:	10.2x	↗
6:	10.8x	↑
7:	10.5x	↗
8:	10.3x	↑
9:	10.1	↗
10:	9.9	↑
Series	103.4	
	204.5	



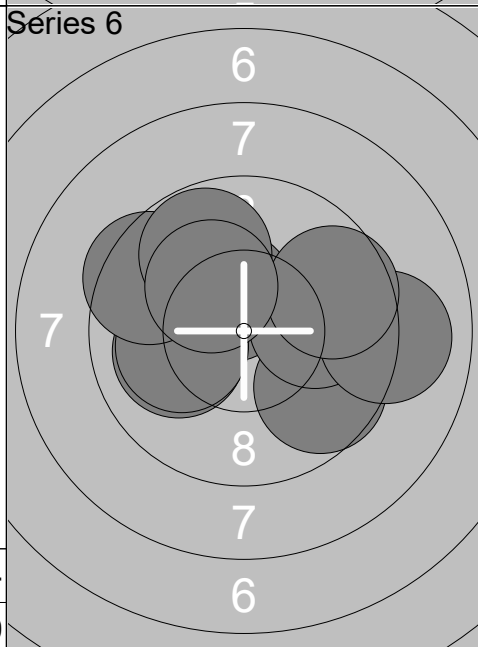
1:	9.9	↘
2:	10.4x	↘
3:	9.7	↘
4:	10.3x	↗
5:	9.6	↗
6:	10.2x	↑
7:	9.2	↗
8:	9.8	↘
9:	10.0	↗
10:	9.4	↘
Series	98.5	
	303.0	



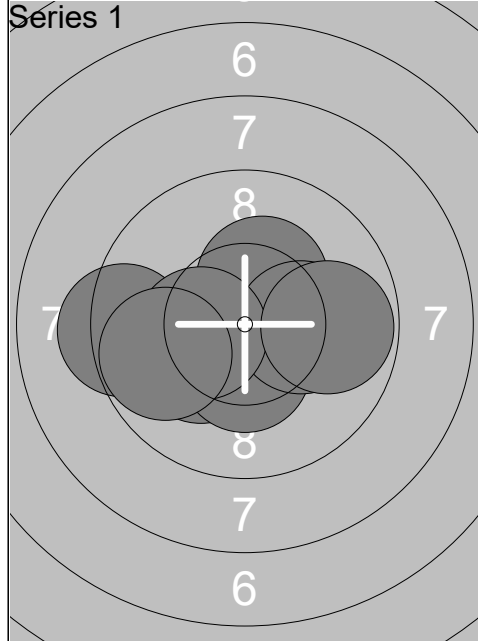
1:	9.3	↗
2:	9.8	←
3:	9.3	→
4:	10.5x	←
5:	10.1	↘
6:	9.2	↘
7:	10.7x	←
8:	10.6x	↘
9:	10.0	↑
10:	10.1	↗
Series	99.6	
	402.6	



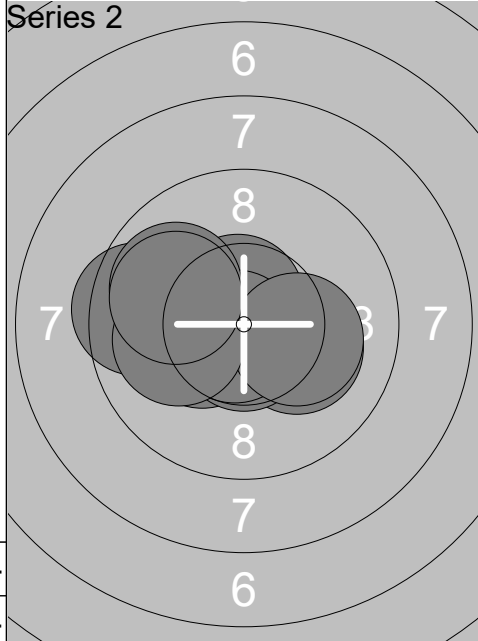
1:	9.3	←
2:	10.8x	↗
3:	9.5	←
4:	9.9	←
5:	10.7x	↘
6:	9.4	←
7:	10.0	←
8:	9.5	↗
9:	10.3x	←
10:	10.0	→
Series	99.4	
	502.0	



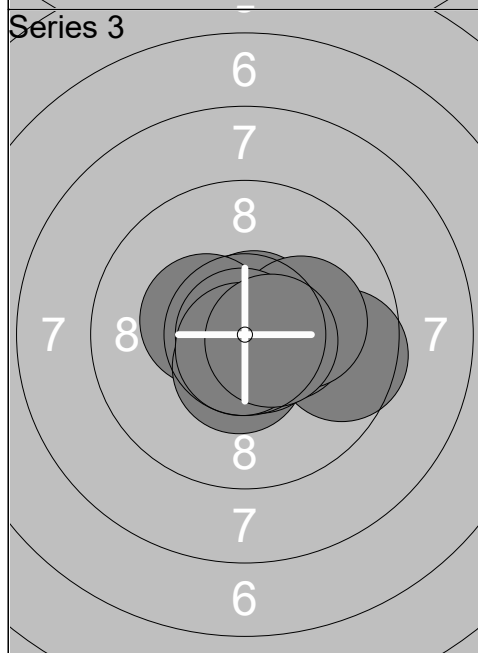
1:	10.4x	↗
2:	10.0	←
3:	10.0	←
4:	9.6	↘
5:	9.5	↖
6:	10.0	→
7:	9.0	→
8:	9.6	↗
9:	9.8	↗
10:	10.2x	↖
Series	98.1	
	600.1	



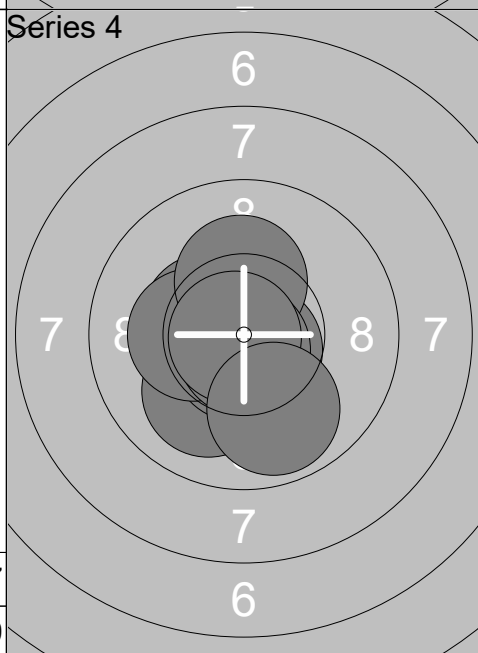
1:	10.6x →
2:	10.2x ↙
3:	10.5x ↓
4:	10.3x ↗
5:	10.4x ↓
6:	9.3 ←
7:	10.2x →
8:	10.3x ←
9:	9.8 ←
10:	9.8 →
Series	101.4
	101.4



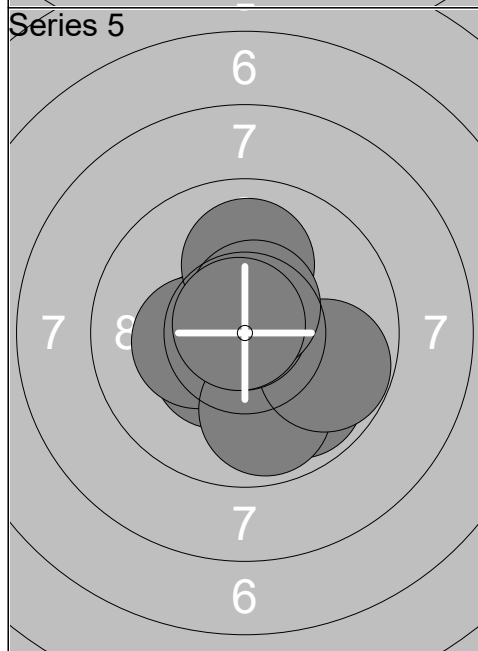
1:	10.3x ↙
2:	10.1 →
3:	10.6x ↗
4:	10.6x ↓
5:	9.5 ←
6:	10.7x ↙
7:	9.9 ↙
8:	10.2x →
9:	10.0 ←
10:	9.9 ↙
Series	101.8
	203.2



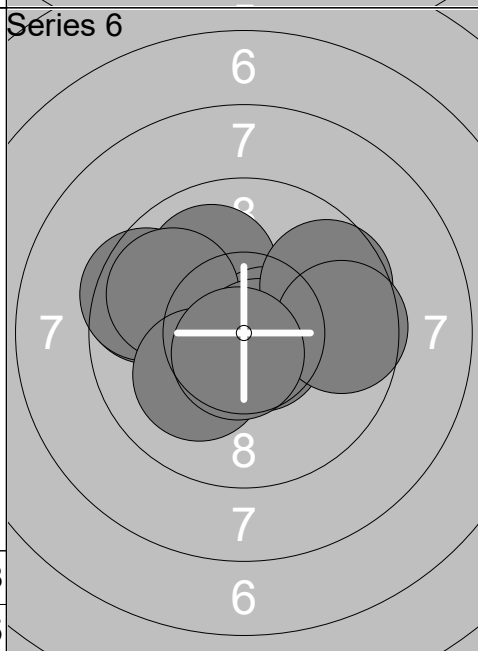
1:	9.6 →
2:	10.7x ↗
3:	10.4x ↙
4:	10.5x ↓
5:	10.4x →
6:	10.7x ↘
7:	10.2x →
8:	10.9x ←
9:	10.7x ↓
10:	10.6x →
Series	104.7
	307.9



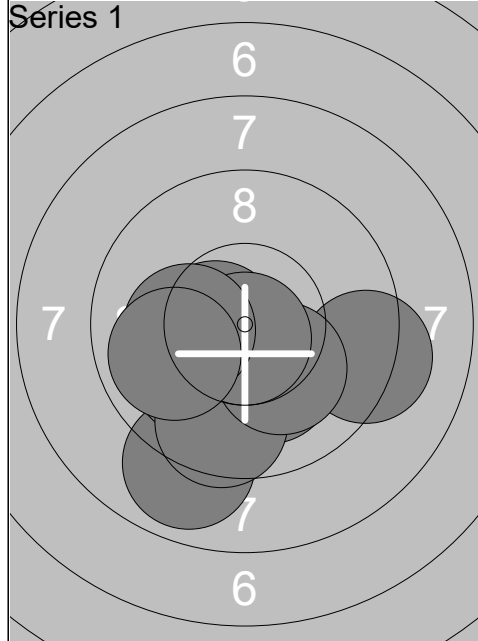
1:	10.4x ↙
2:	10.7x ↘
3:	10.3x ↓
4:	10.0 ↓
5:	10.6x ↓
6:	10.2x ←
7:	10.2x ↗
8:	10.7x ↓
9:	10.8x ←
10:	9.9 ↓
Series	103.8
	411.7



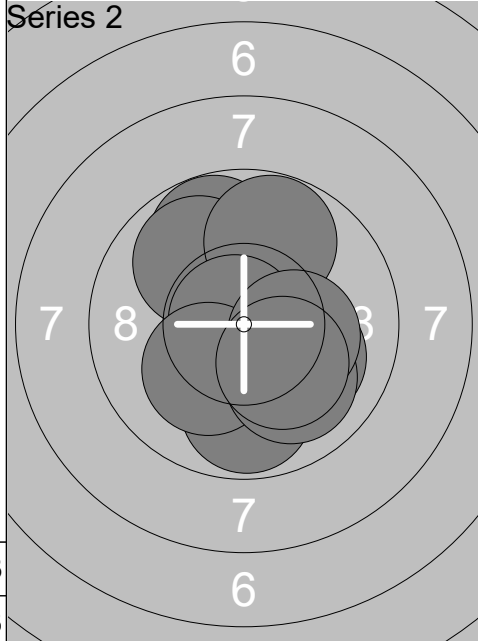
1:	10.5x ←
2:	10.4x ↙
3:	10.3x ←
4:	9.8 ↘
5:	9.8 ↓
6:	9.8 →
7:	10.8x ↗
8:	10.0 ↗
9:	10.6x ↗
10:	10.8x ↘
Series	102.8
	514.5



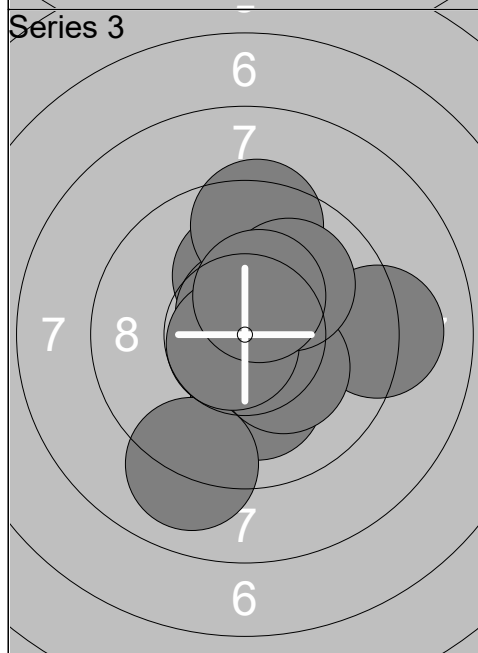
1:	9.6 ↙
2:	9.5 ↙
3:	10.0 ↗
4:	10.6x →
5:	9.8 ↙
6:	10.7x ↘
7:	9.6 ↗
8:	9.6 →
9:	10.1 ↙
10:	10.6x ↓
Series	100.1
	614.6



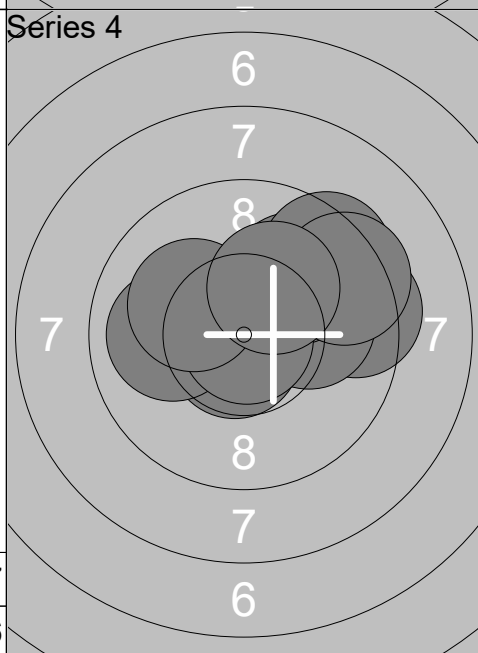
1:	9.2	→
2:	8.9	↓
3:	10.1	↓
4:	10.5x	←
5:	10.0	↙
6:	9.6	↓
7:	10.2x	↘
8:	10.7x	↓
9:	10.2x	←
10:	9.9	←
Series	99.3	
	99.3	



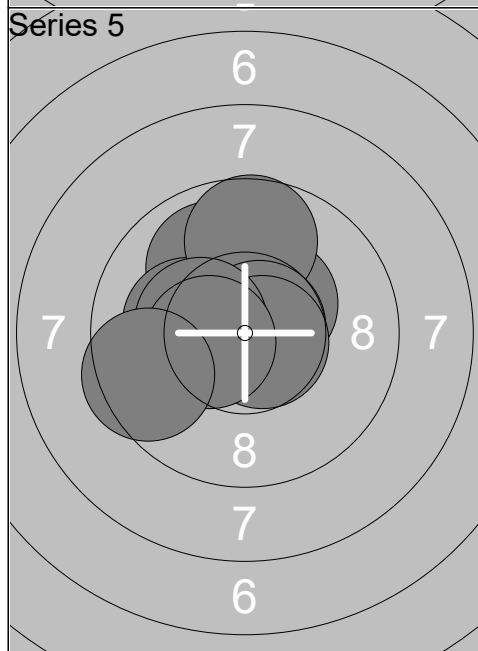
1:	9.8	↖
2:	9.9	↖
3:	9.7	↗
4:	9.8	↓
5:	10.0	↘
6:	10.8x	←
7:	10.2x	↙
8:	10.0	↘
9:	10.2x	→
10:	10.2x	↘
Series	100.6	
	199.9	



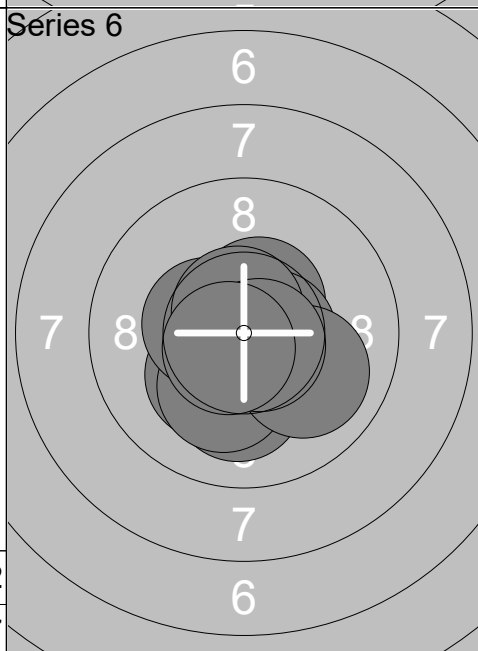
1:	10.1	↓
2:	9.1	→
3:	9.0	↓
4:	10.2x	↘
5:	10.1	↑
6:	10.6x	↑
7:	10.7x	↙
8:	9.5	↑
9:	10.0	↗
10:	10.4x	↗
Series	99.7	
	299.6	



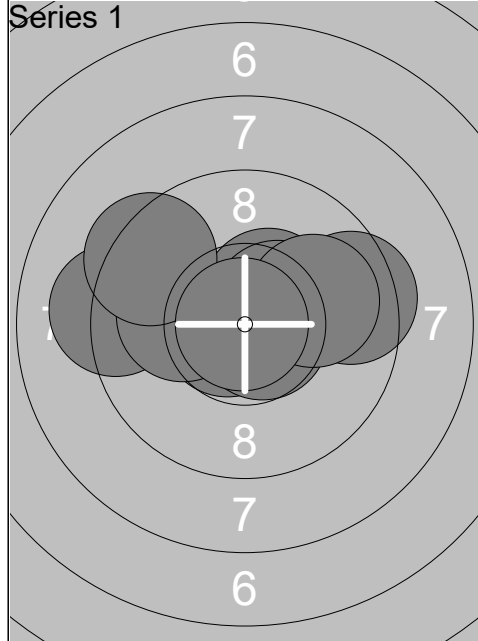
1:	9.4	→
2:	10.0	→
3:	9.9	↗
4:	10.7x	↙
5:	10.0	←
6:	9.4	↗
7:	9.4	↗
8:	10.9x	↘
9:	10.1	↖
10:	10.1	↗
Series	99.9	
	399.5	



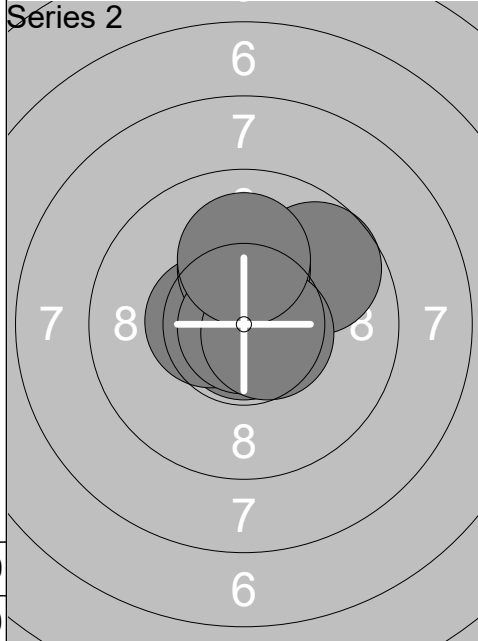
1:	10.4x	↗
2:	9.9	↖
3:	10.2x	←
4:	9.7	↑
5:	10.7x	→
6:	10.5x	←
7:	10.6x	↘
8:	10.3x	←
9:	10.4x	←
10:	9.5	←
Series	102.2	
	501.7	



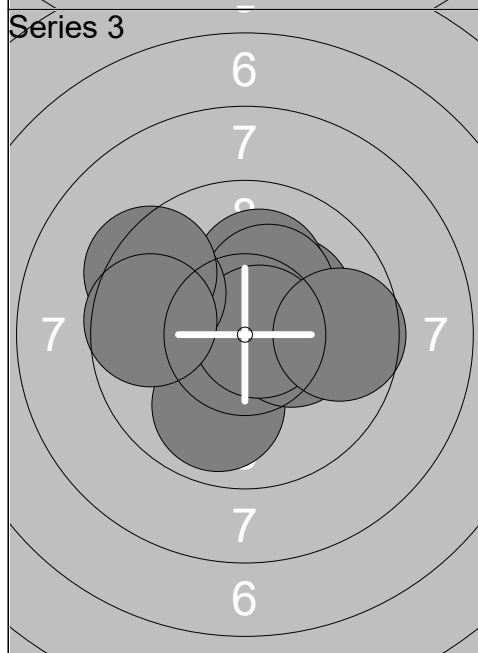
1:	10.5x	↗
2:	10.2x	↙
3:	10.5x	→
4:	10.1	↓
5:	10.2x	↙
6:	10.0	↘
7:	10.4x	←
8:	10.6x	↑
9:	10.7x	↘
10:	10.6x	↙
Series	103.8	
	605.5	



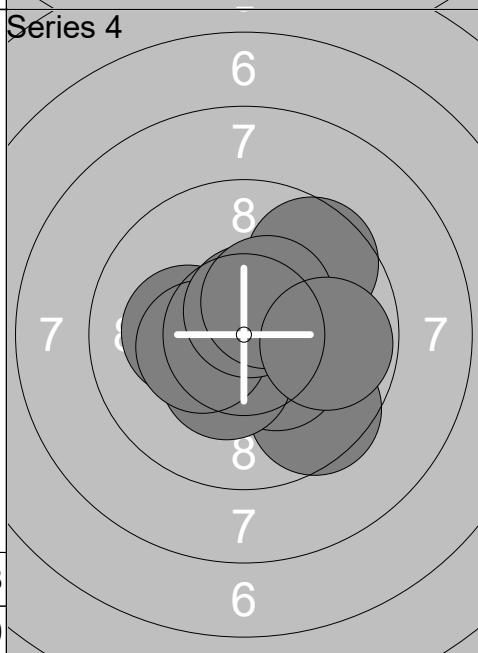
1:	9.2	←
2:	10.7x	←
3:	10.1	←
4:	10.4x	↗
5:	10.4x	↗
6:	10.6x	⇒
7:	9.4	→
8:	9.9	→
9:	9.4	↖
10:	10.9x	←
Series	101.0	
	101.0	



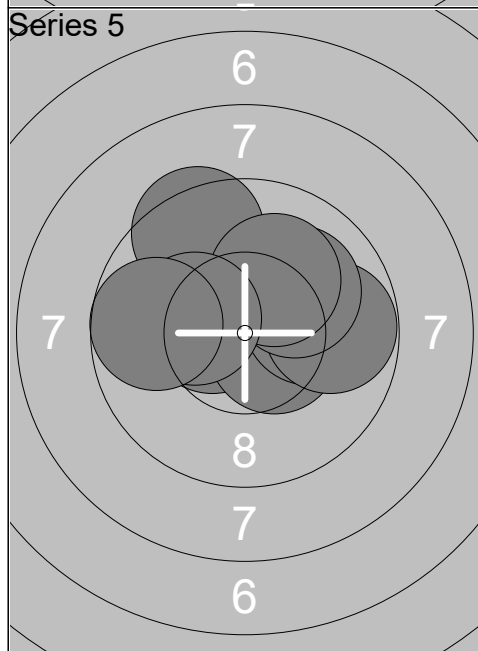
1:	10.4x	↑
2:	10.4x	↗
3:	10.7x	↗
4:	10.8x	↓
5:	9.7	↗
6:	10.5x	←
7:	10.2x	↑
8:	10.9x	↓
9:	10.6x	⇒
10:	10.0	↑
Series	104.2	
	205.2	



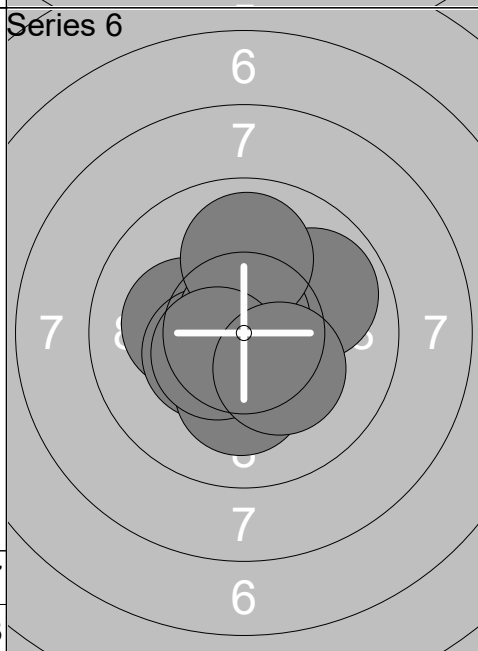
1:	9.9	↓
2:	10.2x	↗
3:	10.3x	→
4:	10.1	↑
5:	10.2x	↗
6:	10.7x	→
7:	9.7	←
8:	9.4	←
9:	9.6	←
10:	9.7	→
Series	99.8	
	305.0	



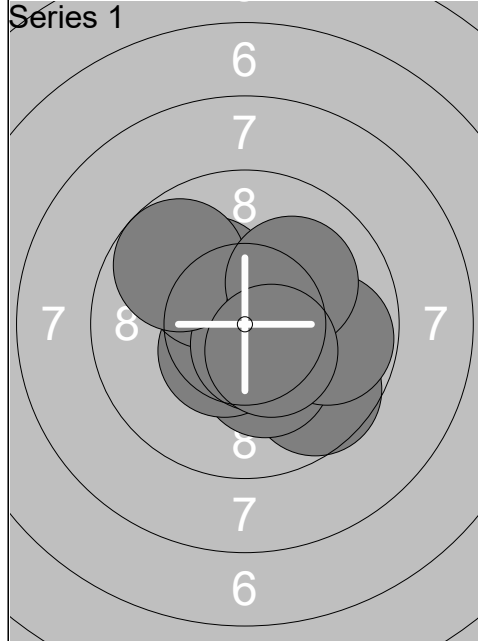
1:	9.6	↗
2:	9.5	↓
3:	10.2x	←
4:	10.3x	↘
5:	10.5x	↙
6:	10.4x	↓
7:	10.3x	←
8:	10.6x	↑
9:	10.4x	↗
10:	9.8	→
Series	101.6	
	406.6	



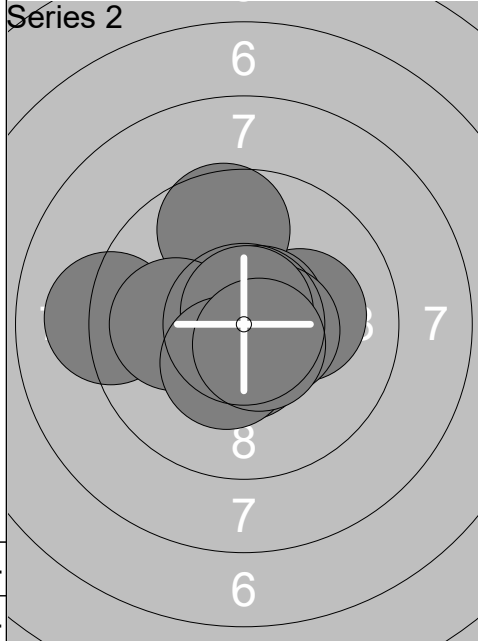
1:	10.5x	←
2:	10.5x	↗
3:	10.5x	⇒
4:	9.4	↑
5:	10.0	→
6:	9.8	→
7:	10.0	↗
8:	10.1	↗
9:	10.2x	←
10:	9.7	←
Series	100.7	
	507.3	



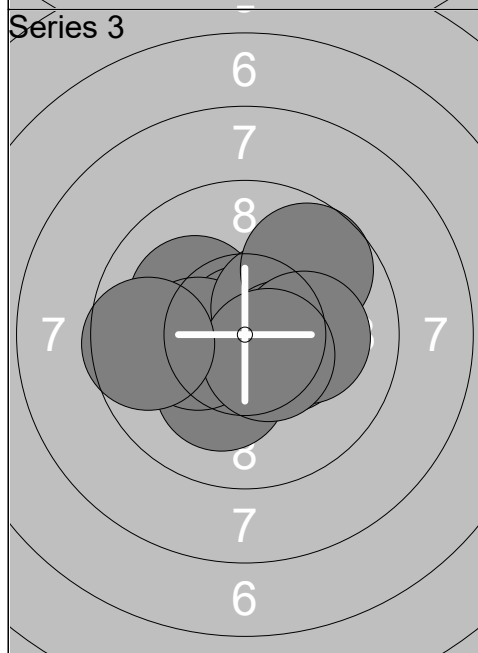
1:	9.9	↗
2:	10.2x	←
3:	10.5x	↙
4:	10.4x	↙
5:	10.9x	↑
6:	10.2x	↓
7:	10.8x	↑
8:	9.9	↑
9:	10.5x	↙
10:	10.2x	↘
Series	103.5	
	610.8	



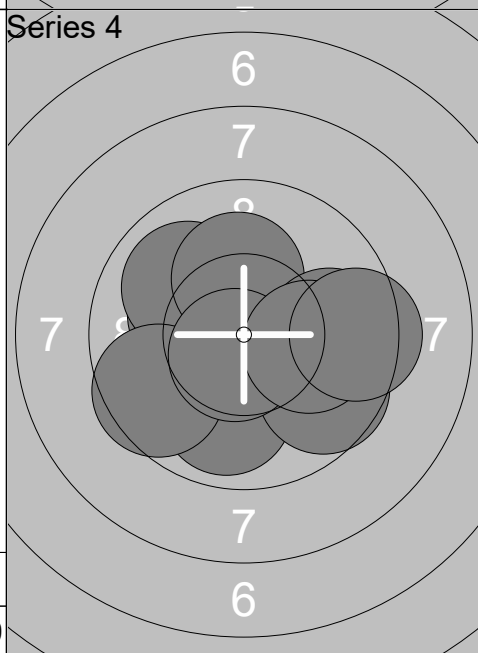
1:	9.6	↘
2:	10.2x	↘
3:	10.5x	↘
4:	10.2x	↗
5:	10.6x	↘
6:	9.7	↗
7:	10.3x	→
8:	9.8	→
9:	10.1	↗
10:	10.4x	↘
Series	101.4	
	101.4	



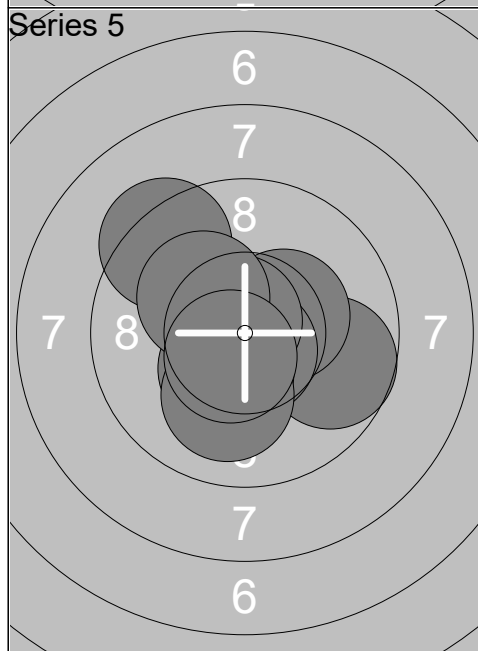
1:	9.1	←
2:	10.2x	→
3:	10.5x	↓
4:	9.6	↑
5:	10.7x	↗
6:	10.0	←
7:	10.5x	→
8:	10.8x	↑
9:	10.4x	↘
10:	10.6x	↘
Series	102.4	
	203.8	



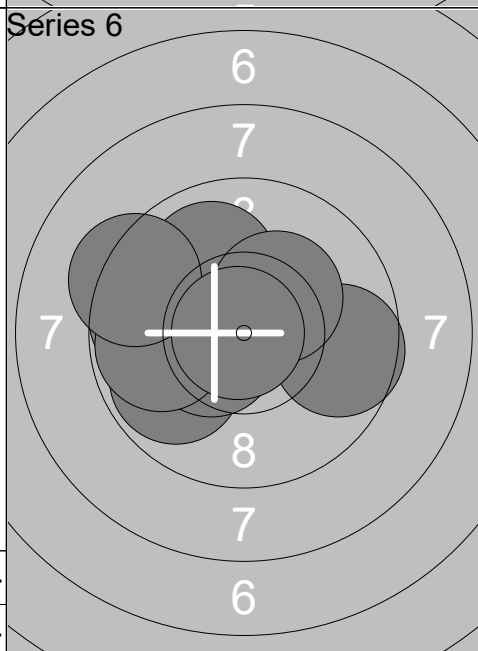
1:	10.1	↖
2:	10.2x	↘
3:	10.9x	↑
4:	10.3x	←
5:	10.3x	↗
6:	9.7	↗
7:	10.4x	→
8:	10.1	→
9:	10.5x	↘
10:	9.6	←
Series	102.1	
	305.9	



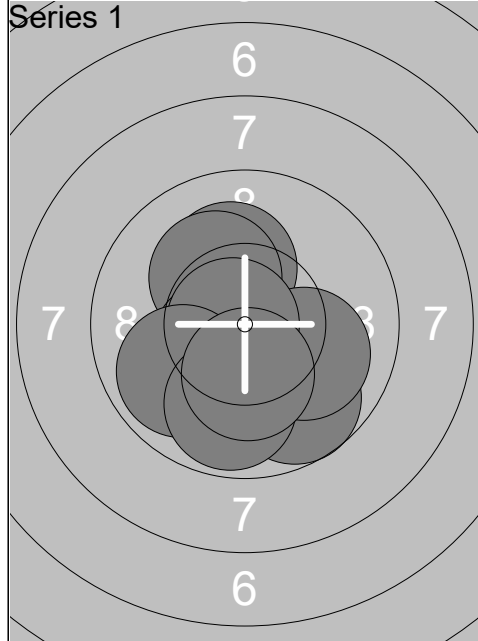
1:	10.2x	↖
2:	9.9	↖
3:	9.9	↓
4:	9.6	↘
5:	9.5	↖
6:	10.2x	↑
7:	10.6x	↘
8:	9.8	→
9:	10.0	→
10:	9.4	→
Series	99.1	
	405.0	



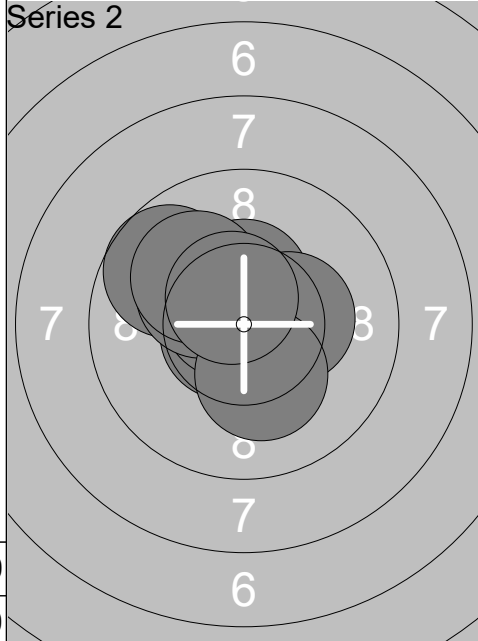
1:	9.7	→
2:	10.3x	↗
3:	9.3	↖
4:	10.7x	↘
5:	10.4x	↘
6:	10.4x	↘
7:	10.7x	↖
8:	10.1	↓
9:	10.2x	↖
10:	10.6x	↘
Series	102.4	
	507.4	



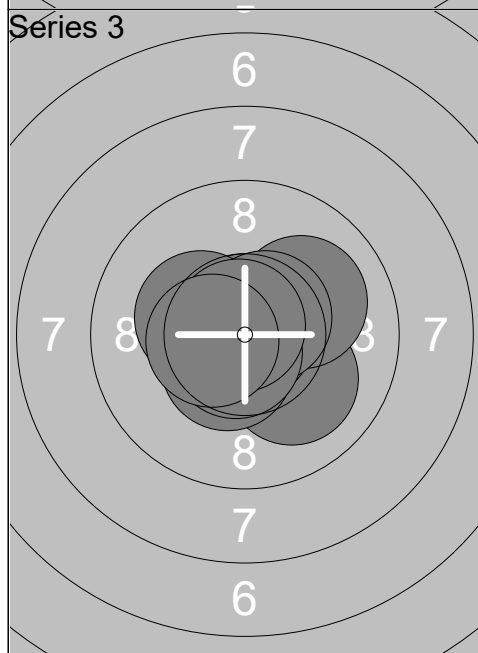
1:	9.7	←
2:	9.6	→
3:	10.3x	↑
4:	9.9	↖
5:	9.8	↖
6:	10.3x	↗
7:	10.4x	↖
8:	9.8	←
9:	9.3	↖
10:	10.9x	←
Series	100.0	
	607.4	



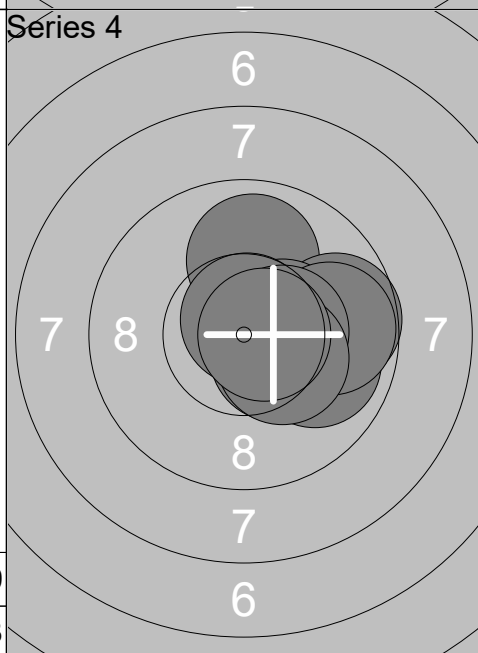
1:	10.8x ↓
2:	10.1 ↑
3:	10.2x ↖
4:	10.5x ↙
5:	9.7 ↓
6:	10.0 →
7:	10.8x ←
8:	9.9 ↙
9:	9.8 ↓
10:	10.2x ↓
Series	102.0
	102.0



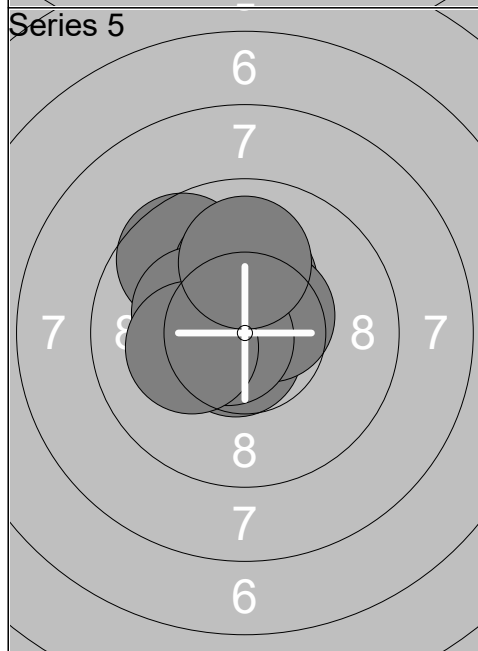
1:	10.4x ↑
2:	9.7 ↖
3:	10.7x ↓
4:	10.3x →
5:	10.7x ↙
6:	10.7x ↖
7:	10.2x ↖
8:	10.2x ↓
9:	10.0 ↖
10:	10.5x ↖
Series	103.4
	205.4



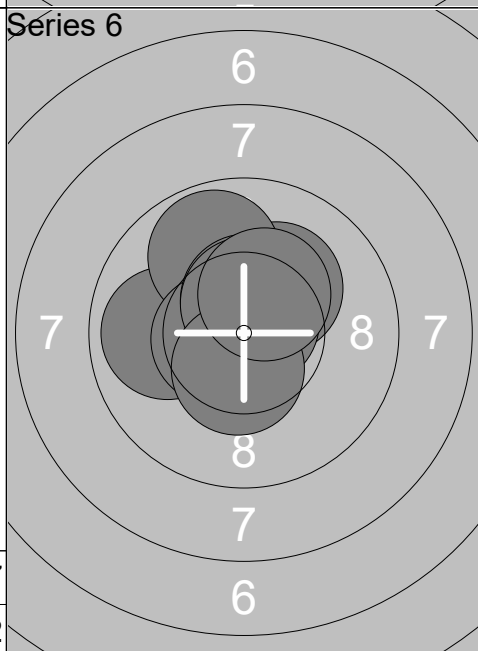
1:	10.7x ↑
2:	10.0 ↘
3:	10.5x ↓
4:	10.3x ↙
5:	10.9x →
6:	10.0 ↗
7:	10.6x ↗
8:	10.6x ↓
9:	10.8x ↖
10:	10.5x ←
Series	104.9
	310.3



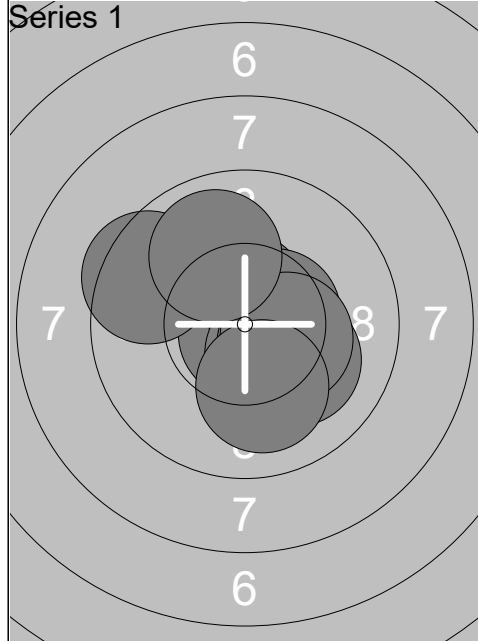
1:	9.9 ↑
2:	10.4x ↘
3:	9.9 →
4:	9.7 →
5:	10.4x →
6:	10.7x ↑
7:	9.8 →
8:	10.4x →
9:	10.3x ↘
10:	10.7x →
Series	102.2
	412.5



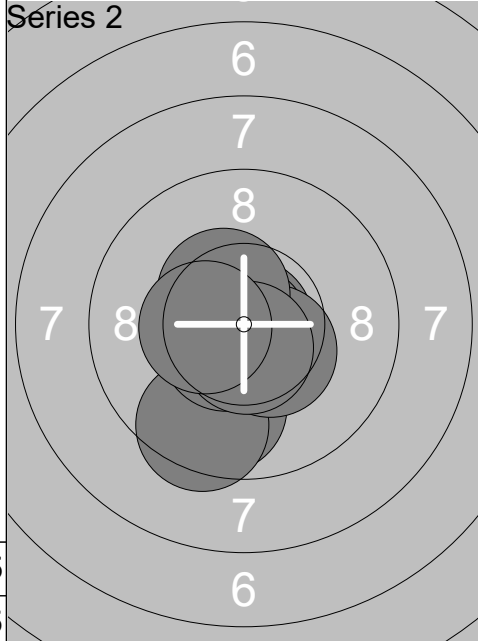
1:	10.2x ↑
2:	9.6 ↖
3:	10.7x ↓
4:	10.1 ↑
5:	10.2x ↙
6:	10.5x ↗
7:	10.5x ↗
8:	10.7x ←
9:	10.2x ←
10:	10.0 ↑
Series	102.7
	515.2



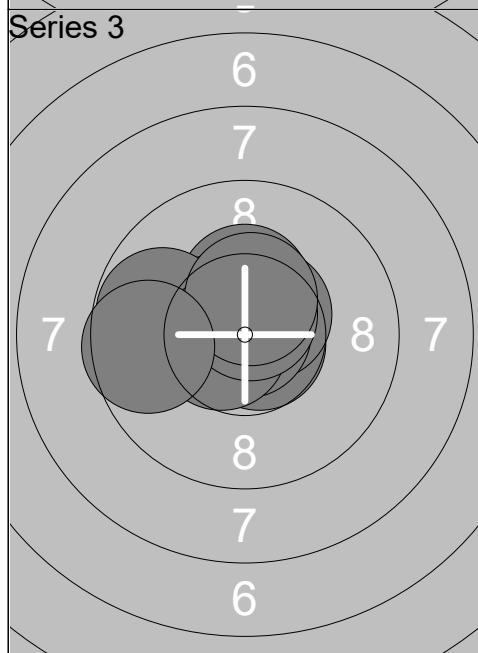
1:	10.6x ↖
2:	10.2x ↗
3:	9.9 ←
4:	10.7x ↗
5:	9.8 ↖
6:	10.5x ←
7:	10.5x ↑
8:	10.5x ↑
9:	10.4x ↓
10:	10.4x ↗
Series	103.5
	618.7



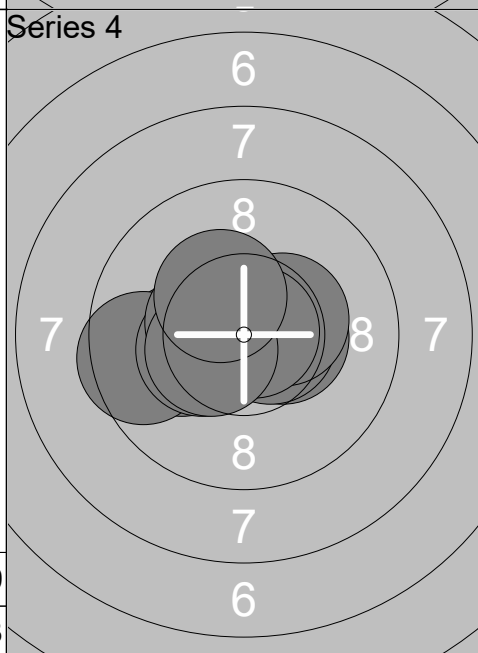
1:	10.6x	↑
2:	10.8x	↓
3:	10.5x	→
4:	10.4x	↘
5:	10.3x	↘
6:	10.1	↘
7:	10.3x	→
8:	9.5	←
9:	9.9	↑
10:	10.1	↓
Series	102.5	
	102.5	



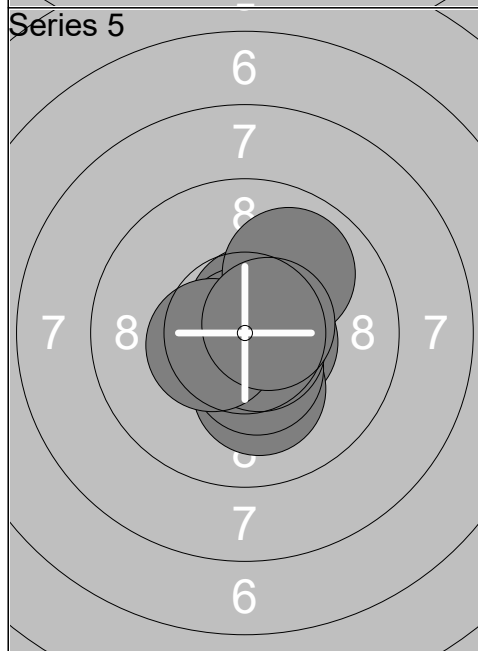
1:	10.9x	→
2:	10.5x	↓
3:	9.8	↓
4:	9.5	↓
5:	10.8x	↓
6:	10.4x	↘
7:	10.4x	↖
8:	10.6x	↙
9:	10.6x	↓
10:	10.4x	←
Series	103.9	
	206.4	



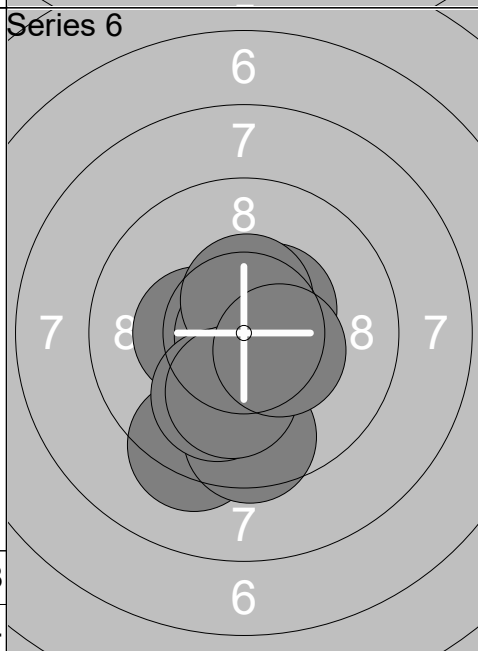
1:	10.3x	↑
2:	10.5x	↖
3:	10.7x	↘
4:	9.8	←
5:	10.5x	↗
6:	10.9x	↑
7:	10.6x	←
8:	10.6x	↑
9:	10.4x	↑
10:	9.6	←
Series	103.9	
	310.3	



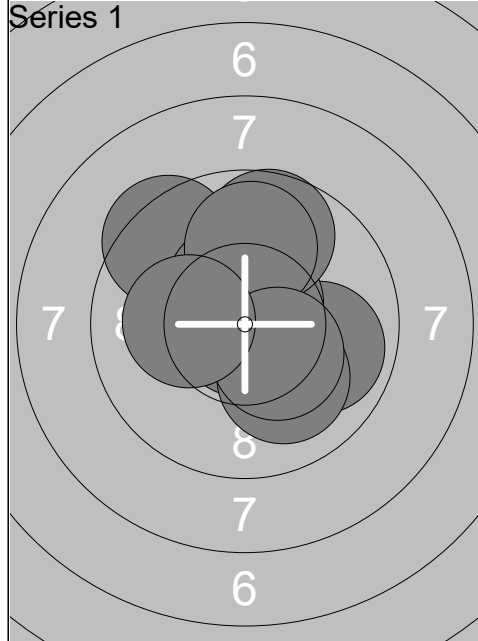
1:	10.1	←
2:	9.5	←
3:	10.3x	←
4:	10.4x	↖
5:	10.4x	→
6:	10.6x	→
7:	10.4x	→
8:	10.8x	→
9:	10.5x	←
10:	10.3x	↖
Series	103.3	
	413.6	



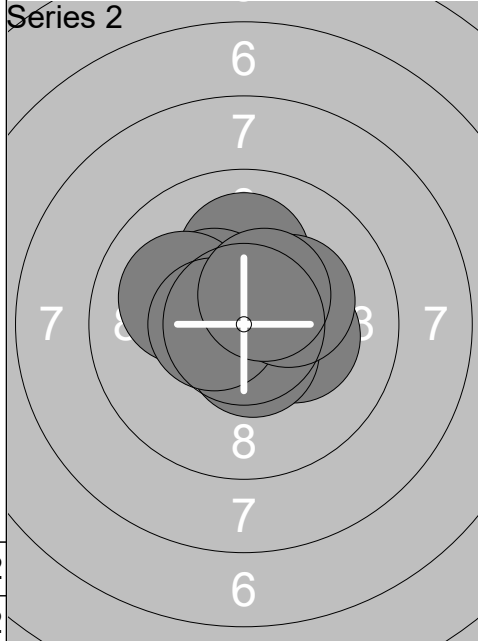
1:	10.5x	→
2:	10.1	↓
3:	10.5x	↗
4:	10.6x	↑
5:	10.4x	↓
6:	10.9x	
7:	10.7x	↘
8:	10.0	↗
9:	10.5x	←
10:	10.6x	→
Series	104.8	
	518.4	



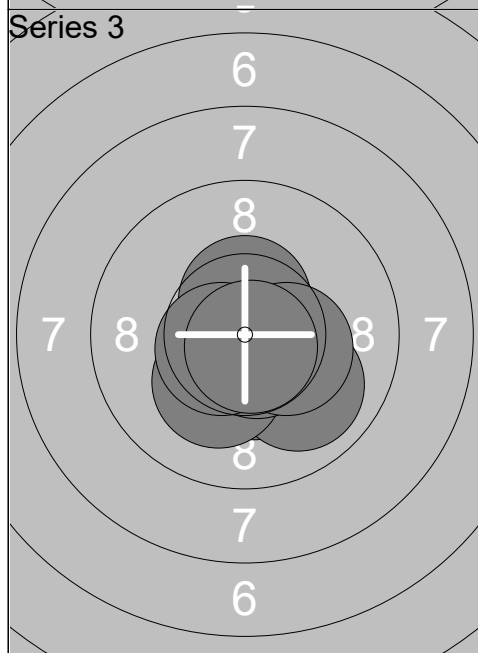
1:	10.6x	↗
2:	10.4x	↗
3:	10.3x	←
4:	10.9x	↙
5:	10.5x	↑
6:	9.2	↓
7:	9.5	↓
8:	10.0	↓
9:	10.1	↓
10:	10.4x	↘
Series	101.9	
	620.3	



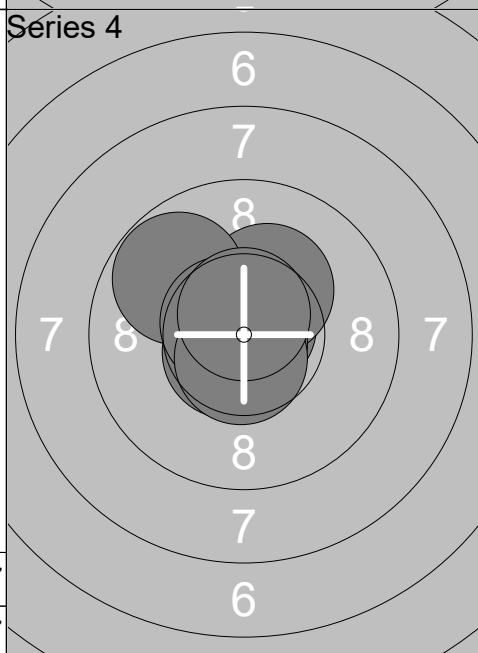
1:	9.9	➔
2:	10.6x	↗
3:	10.8x	↘
4:	9.7	↗
5:	10.0	↘
6:	9.4	↗
7:	10.4x	↗
8:	9.9	↗
9:	10.3x	↘
10:	10.2x	←
Series	101.2	
	101.2	



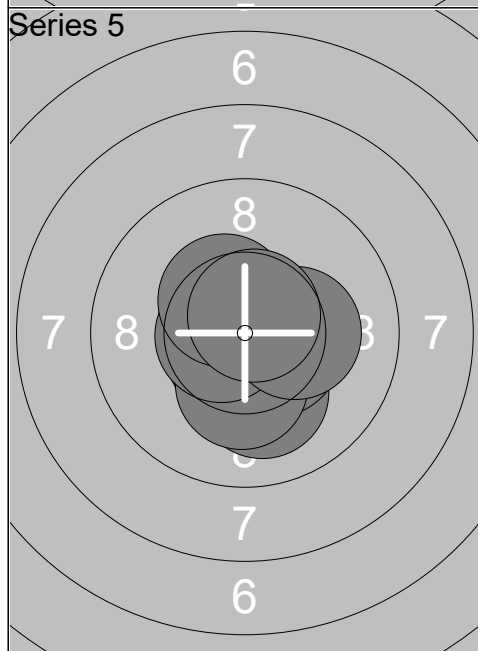
1:	10.7x	←
2:	10.5x	↖
3:	10.2x	➔
4:	10.6x	↘
5:	10.1	↗
6:	10.4x	↖
7:	10.0	↖
8:	10.5x	←
9:	10.3x	➔
10:	10.5x	↗
Series	103.8	
	205.0	



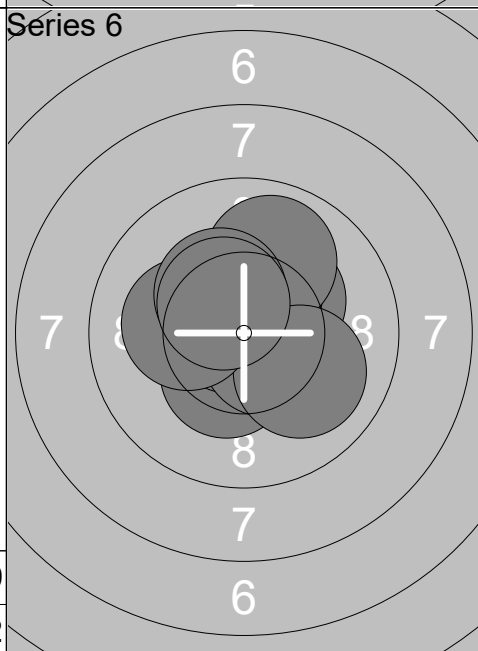
1:	10.9x	➔
2:	10.6x	↗
3:	10.5x	↗
4:	10.4x	↘
5:	9.9	↘
6:	10.2x	↘
7:	10.6x	↘
8:	10.3x	➔
9:	10.6x	↖
10:	10.7x	↘
Series	104.7	
	309.7	



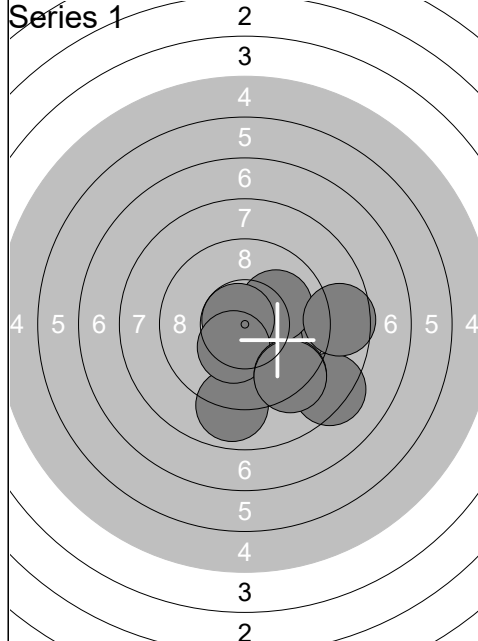
1:	10.8x	↖
2:	10.8x	↗
3:	10.2x	↗
4:	10.7x	↖
5:	10.8x	↘
6:	9.8	↖
7:	10.6x	↘
8:	10.6x	↖
9:	10.6x	↘
10:	10.7x	↗
Series	105.6	
	415.3	



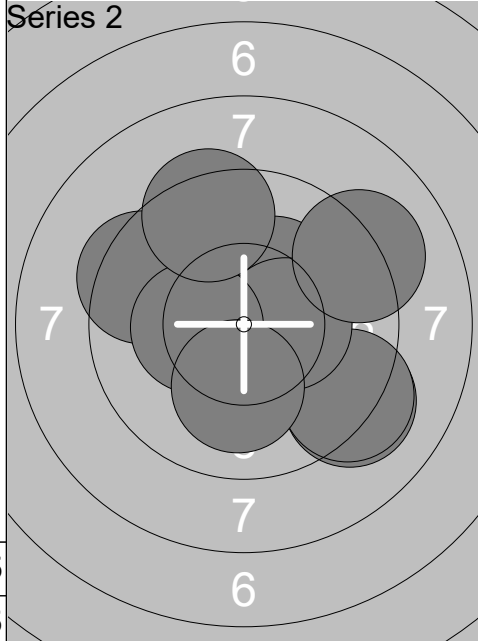
1:	10.1	↘
2:	10.8x	↘
3:	10.6x	↘
4:	10.7x	➔
5:	10.5x	➔
6:	10.2x	↘
7:	10.6x	←
8:	10.4x	↖
9:	10.3x	➔
10:	10.7x	↗
Series	104.9	
	520.2	



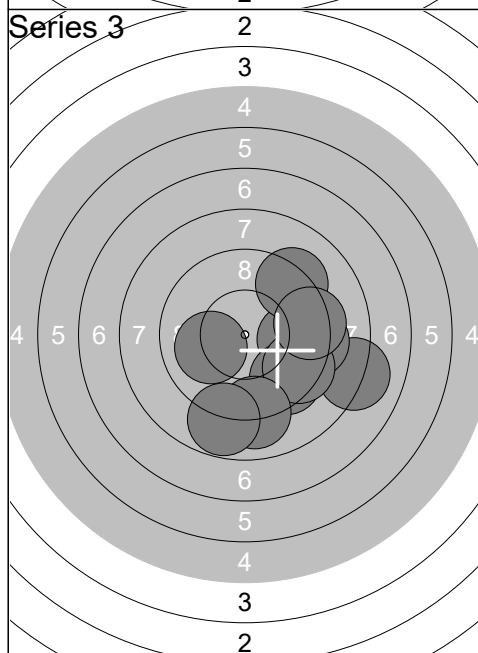
1:	10.3x	↗
2:	10.4x	↗
3:	10.4x	↘
4:	10.7x	↖
5:	10.5x	↘
6:	9.9	↗
7:	10.0	↘
8:	10.1	←
9:	10.3x	↖
10:	10.4x	↖
Series	103.0	
	623.2	



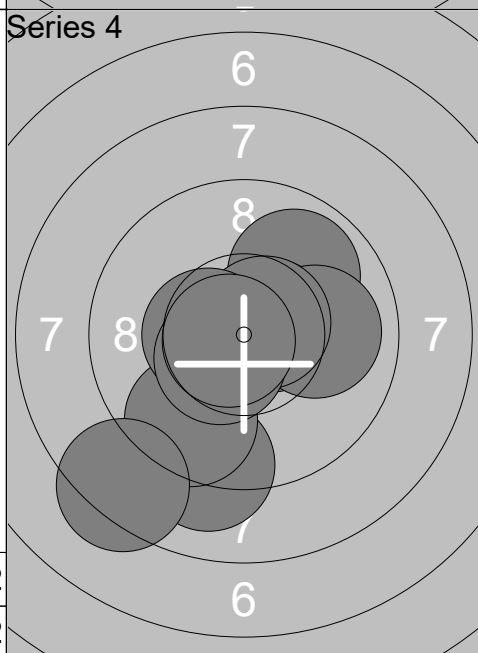
1:	9.8	→
2:	8.9	↓
3:	10.3x	↘
4:	8.3	↘
5:	10.1	↗
6:	10.7x	↖
7:	10.3x	↙
8:	8.6	→
9:	9.3	↓
10:	9.2	↘
Series	95.5	
	95.5	



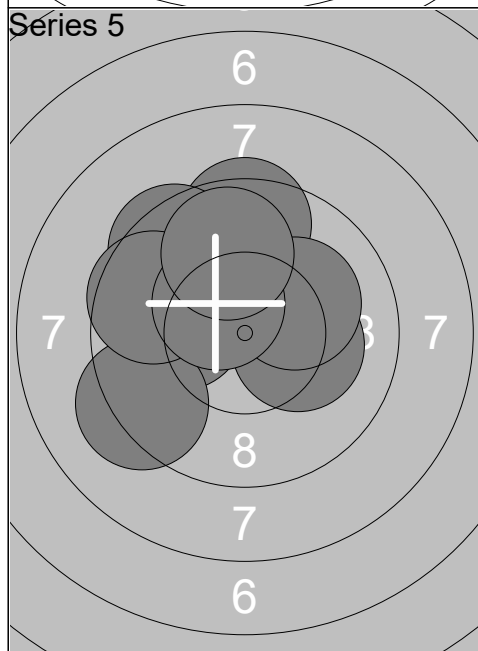
1:	10.2x	↗
2:	9.4	↖
3:	9.1	↘
4:	10.4x	→
5:	9.2	↘
6:	10.4x	→
7:	10.3x	←
8:	9.1	↗
9:	9.3	↑
10:	10.1	↓
Series	97.5	
	193.0	



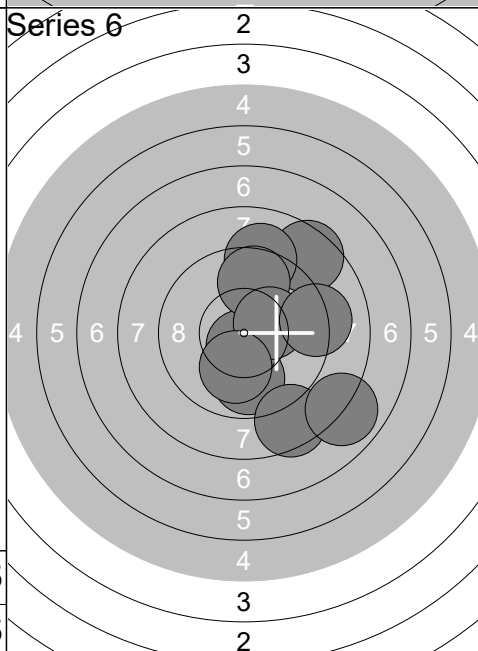
1:	9.7	→
2:	9.5	↘
3:	8.1	↗
4:	9.2	→
5:	9.4	↘
6:	9.0	↓
7:	8.8	↓
8:	9.2	↗
9:	9.3	→
10:	10.0	←
Series	92.2	
	285.2	



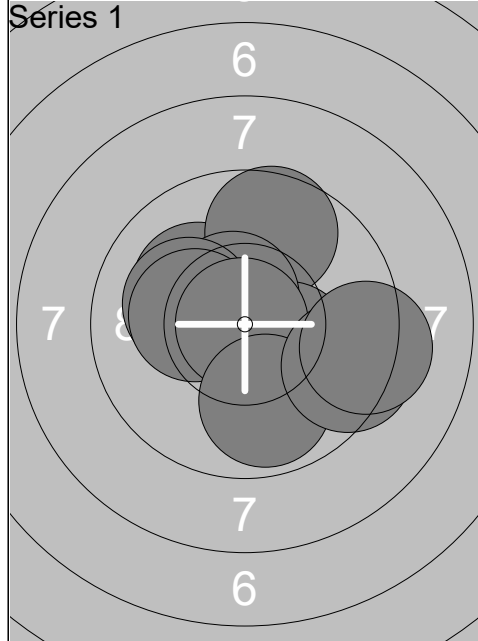
1:	9.9	↗
2:	9.1	↓
3:	9.6	↘
4:	10.6x	→
5:	10.0	→
6:	10.6x	↗
7:	10.5x	←
8:	8.3	↘
9:	10.5x	↙
10:	10.7x	←
Series	99.8	
	385.0	



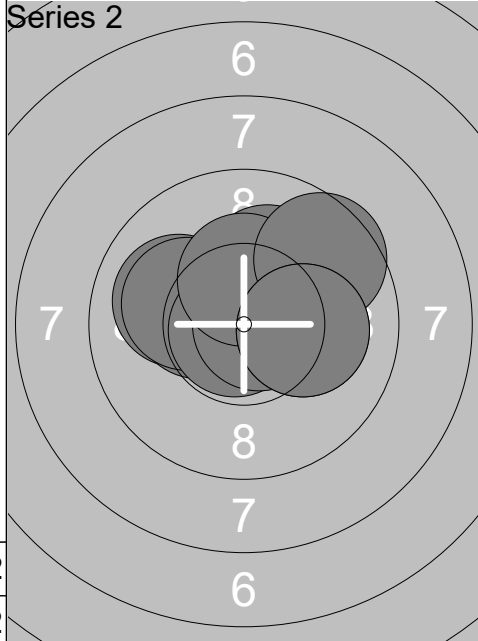
1:	10.2x	→
2:	10.2x	↖
3:	9.5	↑
4:	10.0	←
5:	9.5	↗
6:	9.2	↙
7:	9.6	←
8:	10.1	↗
9:	10.4x	↖
10:	9.8	↑
Series	98.5	
	483.5	



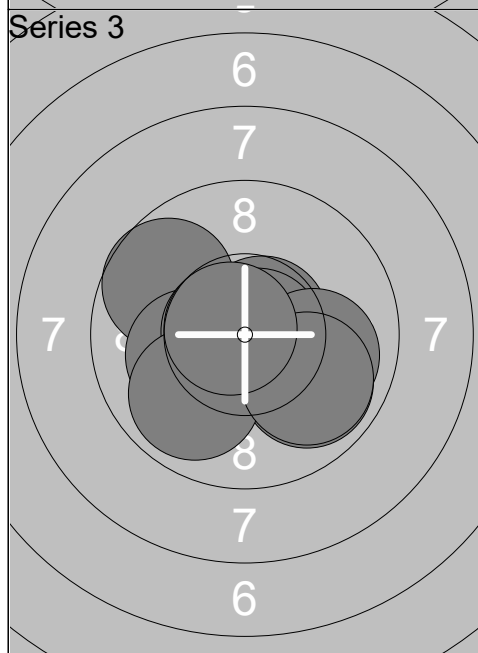
1:	8.5	↗
2:	9.8	↓
3:	10.6x	↓
4:	9.1	↑
5:	9.7	↑
6:	10.2x	→
7:	8.5	↘
8:	10.1	↓
9:	7.9	↘
10:	9.1	→
Series	93.5	
	577.0	



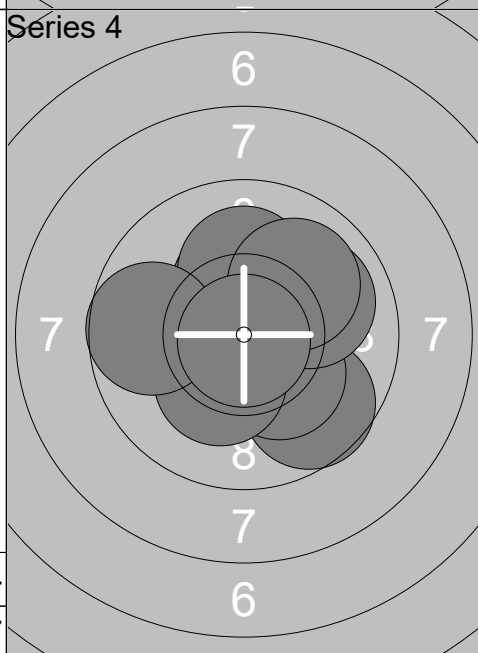
1:	10.1 ↖
2:	9.6 ↗
3:	10.3x ↘
4:	10.5x ↗
5:	10.1 ↖
6:	10.2x ↖
7:	10.9x ↖
8:	9.8 ↓
9:	9.4 ↘
10:	9.3 ↘
Series	100.2
	100.2



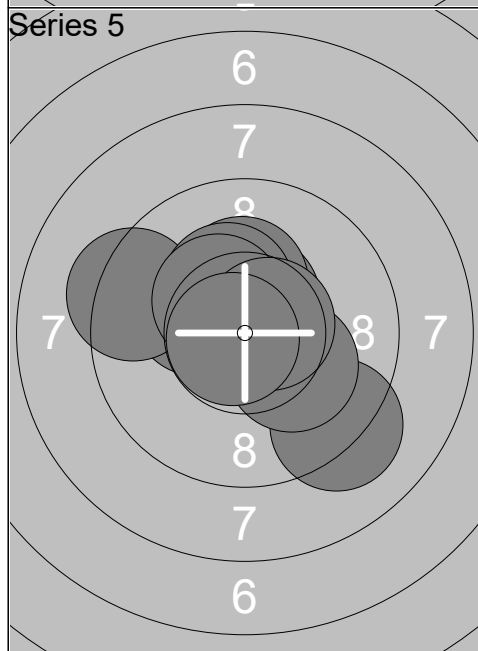
1:	10.0 ↖
2:	10.3x ↖
3:	10.1 ↗
4:	10.1 ↖
5:	10.8x ↖
6:	10.7x →
7:	10.3x ↑
8:	9.6 ↗
9:	10.1 →
10:	10.1 →
Series	102.1
	202.3



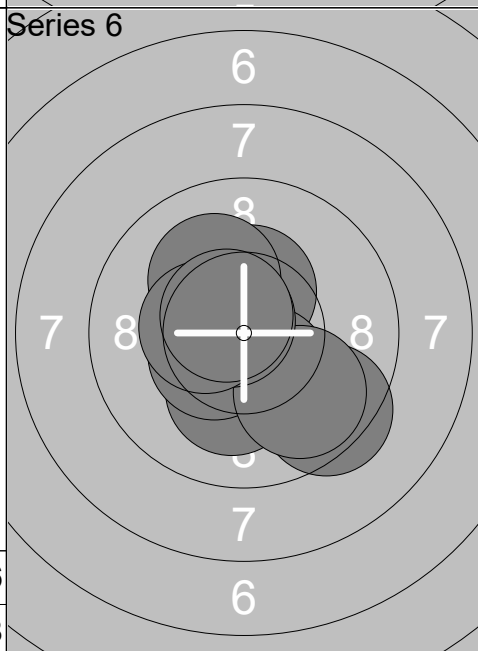
1:	9.7 ↖
2:	10.2x ↖
3:	10.6x ↗
4:	9.9 ↘
5:	10.7x ↖
6:	10.8x →
7:	10.0 →
8:	9.9 ↘
9:	9.9 ↘
10:	10.7x ↖
Series	102.4
	304.7



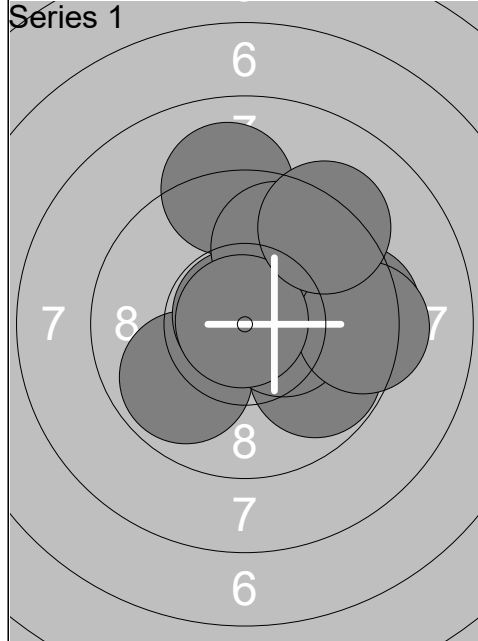
1:	9.7 ↘
2:	10.2x ↘
3:	10.3x ↑
4:	10.0 ↗
5:	10.2x ↘
6:	10.5x ↑
7:	10.1 ↑
8:	9.7 ↖
9:	10.0 ↗
10:	10.8x ↓
Series	101.5
	406.2



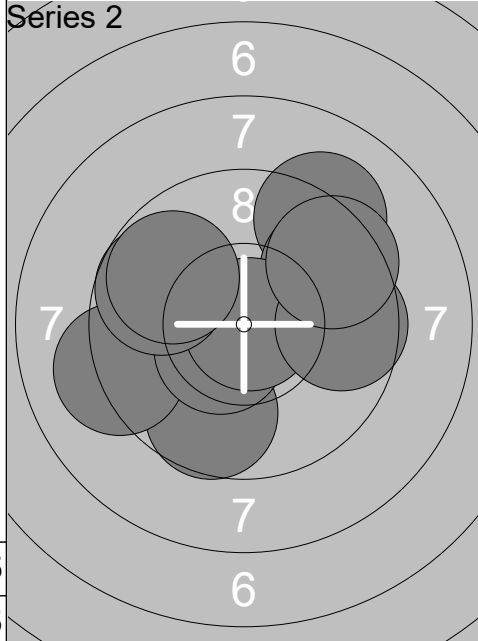
1:	10.2x ↖
2:	10.5x ↗
3:	9.3 ↖
4:	9.2 ↘
5:	10.2x ↗
6:	10.3x ↗
7:	10.2x ↘
8:	10.4x ↗
9:	10.6x →
10:	10.7x ↖
Series	101.6
	507.8



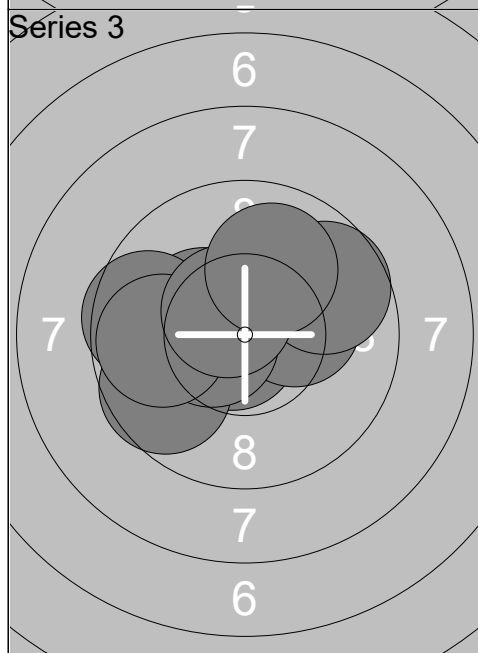
1:	10.4x ↑
2:	10.3x ↘
3:	10.1 ↗
4:	10.1 ↓
5:	10.4x ↖
6:	9.4 ↘
7:	9.8 ↘
8:	10.7x ↖
9:	10.4x ↖
10:	10.6x ↖
Series	102.2
	610.0



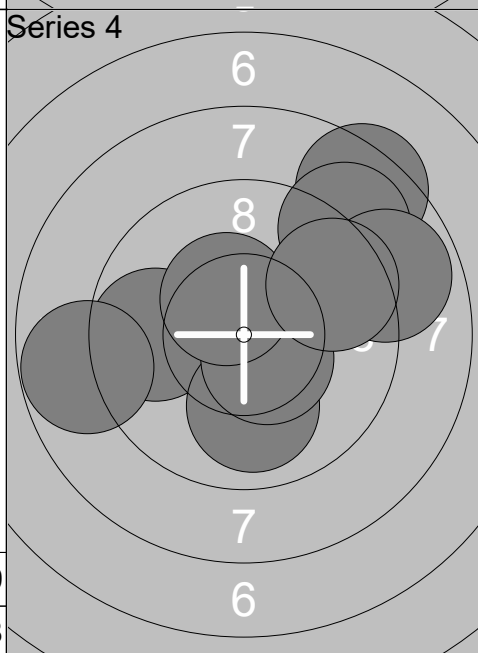
1:	9.8	↙
2:	9.1	↑
3:	9.8	↘
4:	10.4x	→
5:	10.8x	↗
6:	9.4	→
7:	9.8	↑
8:	9.3	→
9:	10.9x	↖
10:	9.2	↗
Series	98.5	
	98.5	



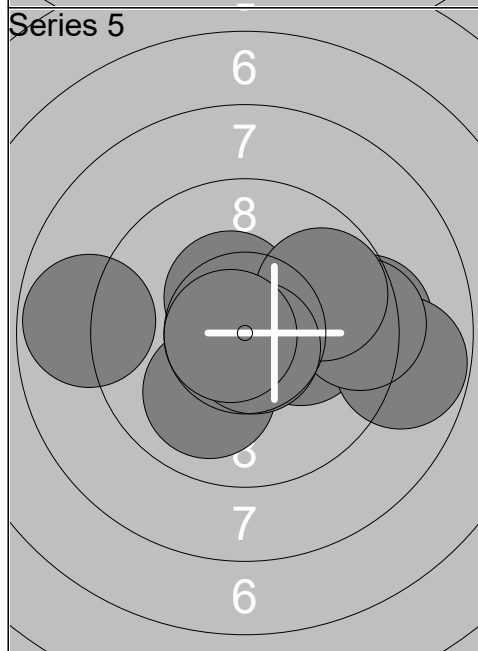
1:	9.6	↓
2:	9.1	←
3:	10.5x	↙
4:	9.2	↗
5:	9.6	↗
6:	10.8x	→
7:	9.7	←
8:	9.8	↖
9:	9.6	→
10:	9.5	↗
Series	97.4	
	195.9	



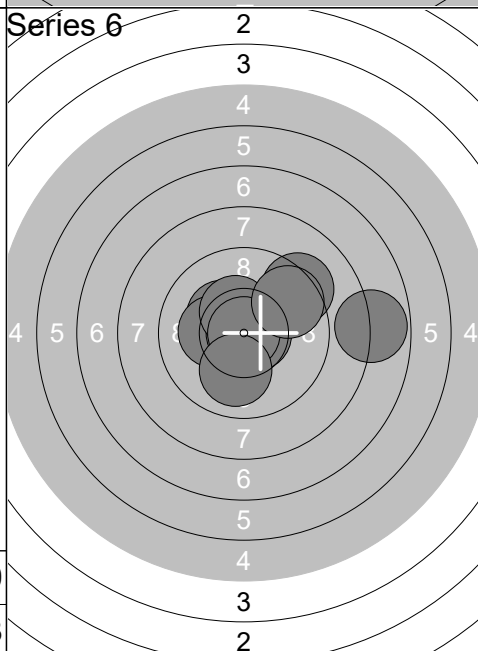
1:	10.7x	↙
2:	10.2x	→
3:	10.3x	↖
4:	9.7	↗
5:	9.6	←
6:	9.6	←
7:	10.5x	←
8:	9.8	←
9:	10.5x	↖
10:	10.0	↗
Series	100.9	
	296.8	



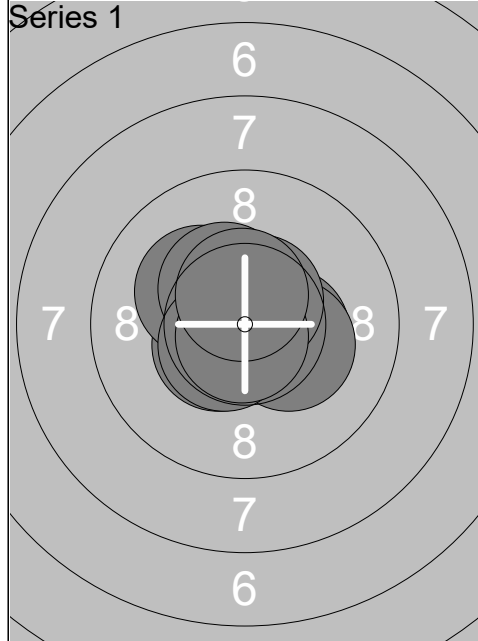
1:	10.6x	→
2:	9.7	←
3:	9.9	↓
4:	8.4	↗
5:	10.5x	↘
6:	8.9	↗
7:	8.7	←
8:	10.4x	↖
9:	8.8	→
10:	9.6	↗
Series	95.5	
	392.3	



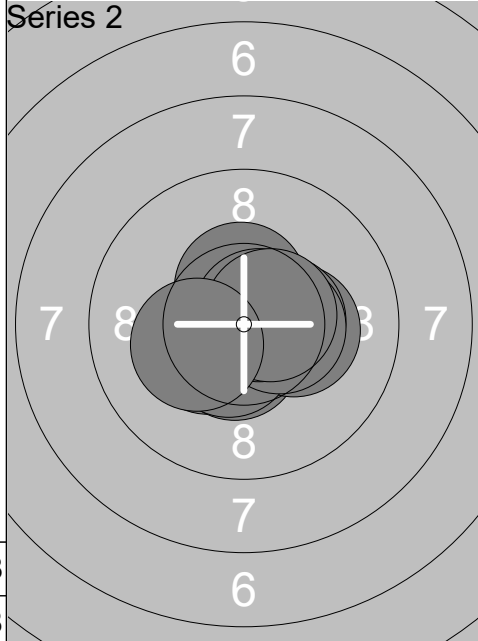
1:	10.4x	↖
2:	10.1	→
3:	10.0	↓
4:	9.3	→
5:	8.8	→
6:	9.4	→
7:	9.8	↗
8:	8.8	←
9:	10.7x	↘
10:	10.7x	←
Series	98.0	
	490.3	



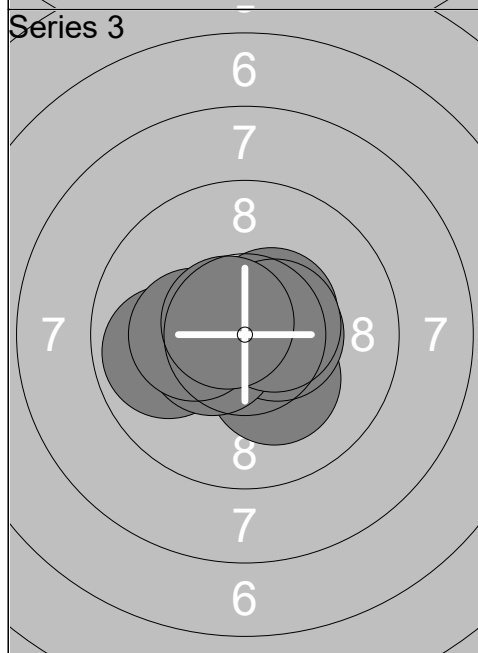
1:	10.3x	↖
2:	10.2x	←
3:	10.7x	→
4:	10.9x	←
5:	10.4x	↖
6:	9.2	↗
7:	10.9x	
8:	7.8	→
9:	10.0	↓
10:	9.6	↗
Series	100.0	
	590.3	



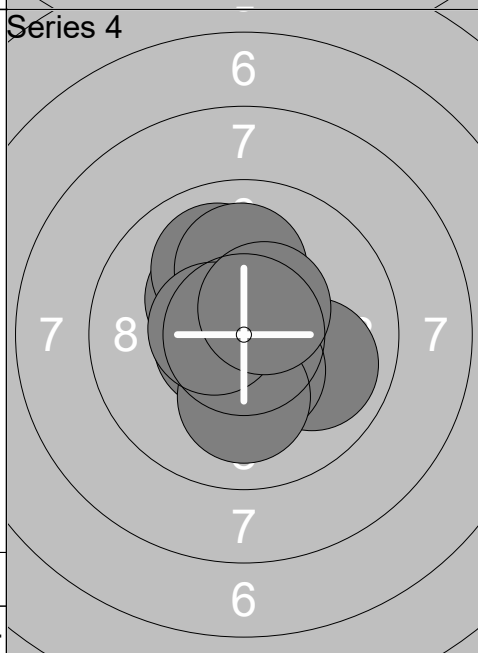
1:	10.5x ↙
2:	10.6x ↘
3:	10.4x →
4:	10.2x ↖
5:	10.3x ↗
6:	10.6x ↗
7:	10.4x ↖
8:	10.5x ↙
9:	10.8x ↓
10:	10.5x ↑
Series	104.8
	104.8



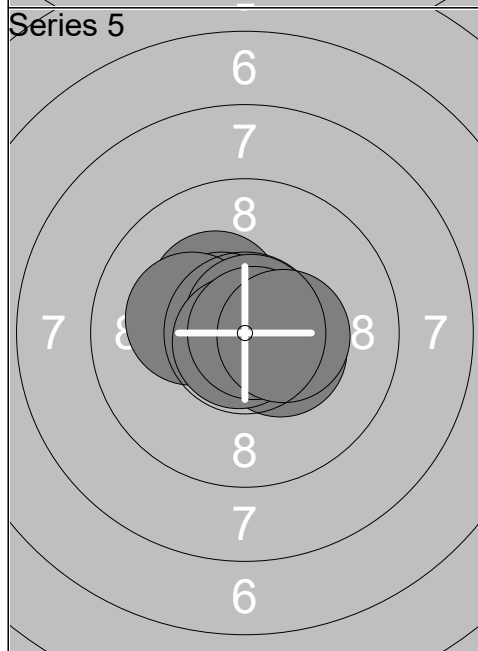
1:	10.5x ↑
2:	10.4x ↙
3:	10.5x ↓
4:	10.2x →
5:	10.5x →
6:	10.5x ↓
7:	10.5x →
8:	10.7x ↗
9:	10.5x →
10:	10.2x ↙
Series	104.5
	209.3



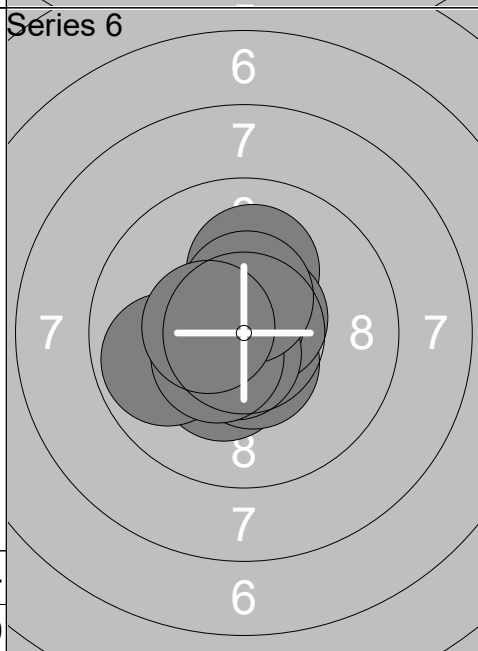
1:	10.6x ↘
2:	10.6x →
3:	10.5x ↗
4:	10.2x ↓
5:	10.5x →
6:	9.9 ←
7:	10.4x ↙
8:	10.5x →
9:	10.3x ↙
10:	10.6x ↖
Series	104.1
	313.4



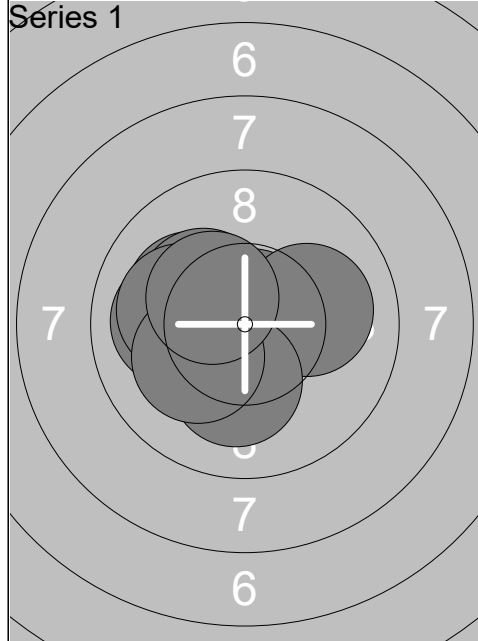
1:	10.3x ↖
2:	10.7x ↑
3:	10.6x ↙
4:	9.9 →
5:	10.4x ↓
6:	10.0 ↑
7:	10.1 ↓
8:	10.1 ↑
9:	10.5x ↙
10:	10.5x ↗
Series	103.1
	416.5



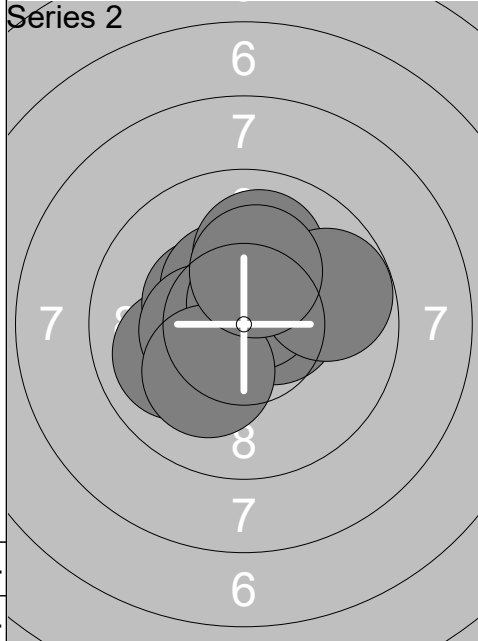
1:	10.6x →
2:	10.3x ↖
3:	10.6x →
4:	10.6x ↖
5:	10.4x ↘
6:	10.2x ↙
7:	10.7x ↗
8:	10.8x ↓
9:	10.8x →
10:	10.4x →
Series	105.4
	521.9



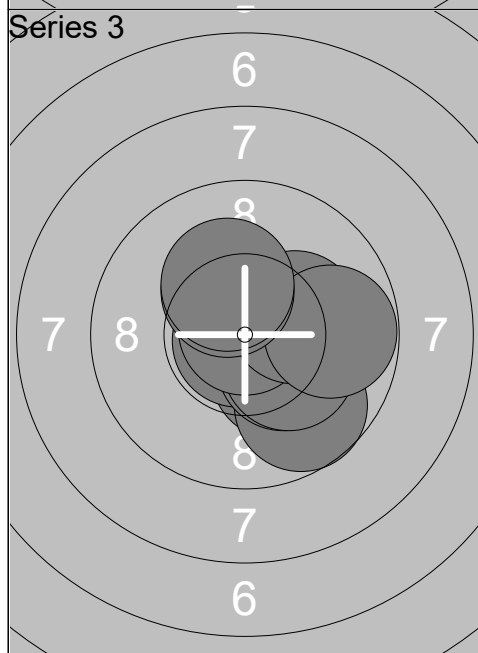
1:	10.3x ↓
2:	10.5x ↓
3:	10.1 ↑
4:	10.6x ↗
5:	10.8x ↖
6:	9.8 ←
7:	10.6x ↓
8:	10.4x ↙
9:	10.4x ↑
10:	10.4x ↙
Series	103.9
	625.8



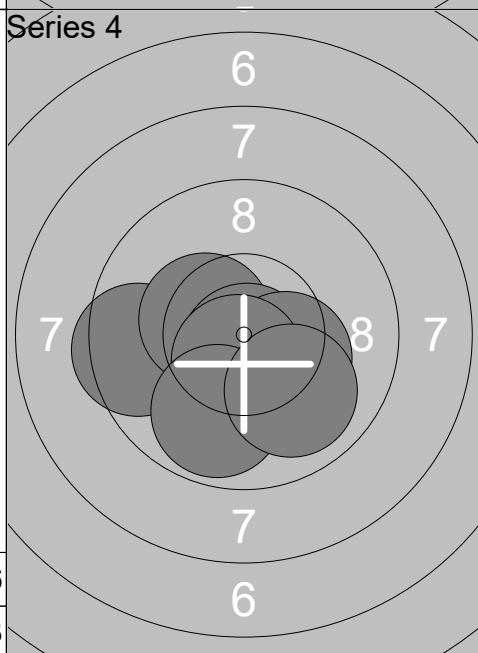
1:	10.8x ↗
2:	10.5x ↘
3:	10.1 →
4:	10.0 ←
5:	10.2x ↓
6:	10.1 ↖
7:	10.2x ↖
8:	10.1 ←
9:	10.1 ↙
10:	10.3x ↖
Series	102.4
	102.4



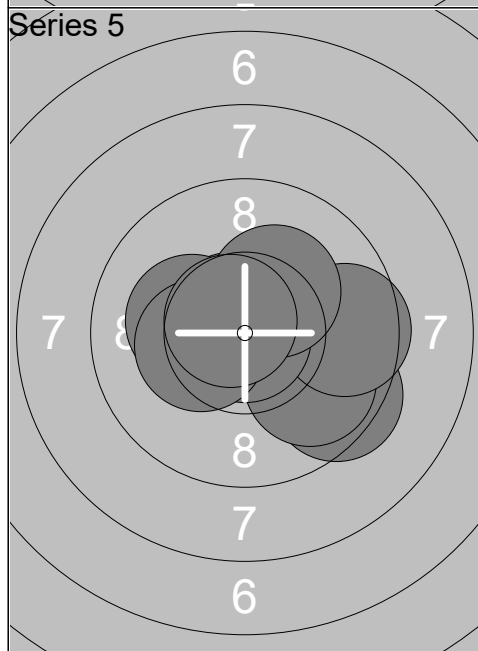
1:	10.0 ↖
2:	10.4x ↖
3:	10.4x ↖
4:	10.0 ↑
5:	10.5x →
6:	10.4x ←
7:	10.6x ↑
8:	10.1 ↘
9:	9.7 →
10:	10.2x ↑
Series	102.3
	204.7



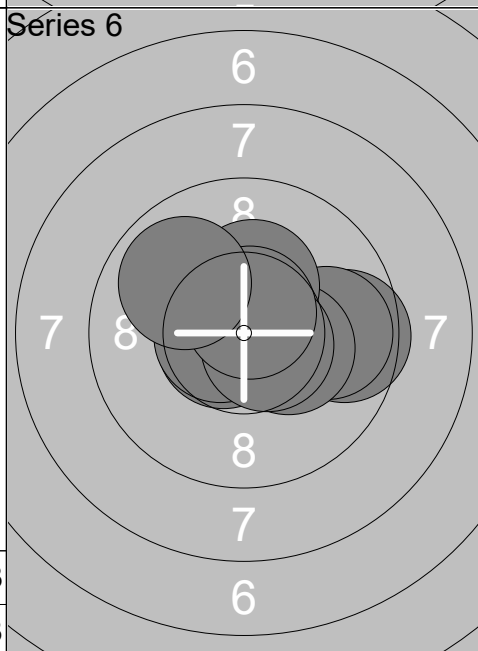
1:	10.2x ↘
2:	10.8x ↘
3:	9.7 ↘
4:	10.3x ↘
5:	10.2x ↘
6:	10.9x ↑
7:	10.2x →
8:	9.8 →
9:	10.3x ↑
10:	10.2x ↑
Series	102.6
	307.3



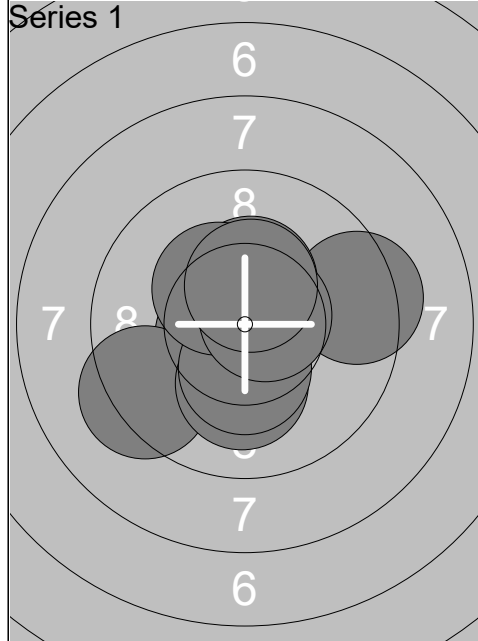
1:	10.3x ↓
2:	10.3x ←
3:	9.5 ←
4:	10.4x ↖
5:	10.0 ↘
6:	10.7x ↓
7:	10.3x →
8:	10.5x ↓
9:	9.8 ↓
10:	9.9 ↘
Series	101.7
	409.0



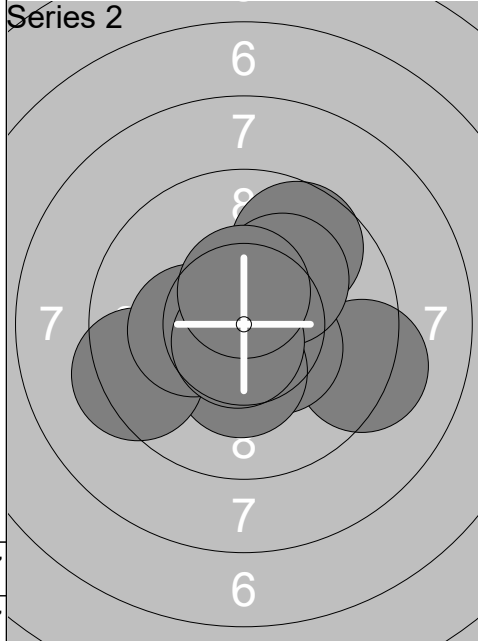
1:	9.4 ↘
2:	9.8 ↘
3:	9.6 →
4:	10.5x ←
5:	10.7x ↖
6:	10.2x ←
7:	10.9x ↓
8:	10.3x ←
9:	10.2x ↗
10:	10.7x ↖
Series	102.3
	511.3



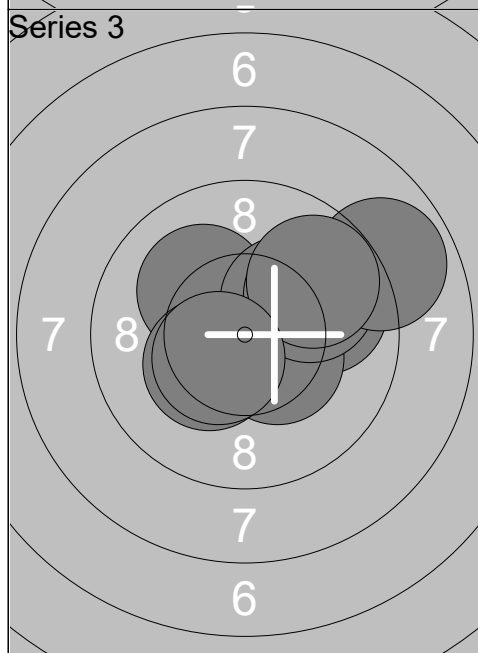
1:	9.6 →
2:	10.3x ↖
3:	9.8 →
4:	10.3x →
5:	10.3x ↑
6:	10.6x ←
7:	10.6x ←
8:	10.5x →
9:	10.6x ↑
10:	9.9 ↖
Series	102.5
	613.8



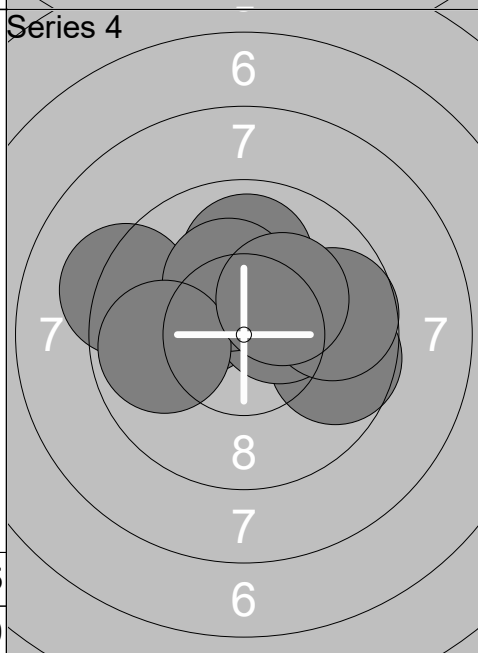
1:	10.3x ↘
2:	10.6x ↙
3:	9.3 ↙
4:	9.4 →
5:	10.1 ↓
6:	10.4x ↑
7:	10.3x ↓
8:	10.3x ↖
9:	10.6x →
10:	10.4x ↑
Series	101.7
	101.7



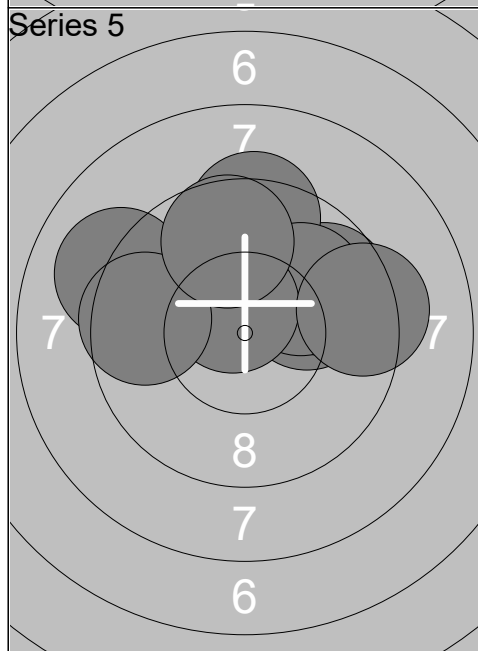
1:	10.4x →
2:	9.2 ⇒
3:	10.4x ⇒
4:	9.7 ↗
5:	10.3x ↓
6:	9.3 ↙
7:	10.2x ←
8:	10.1 ↗
9:	10.7x ↓
10:	10.5x ↑
Series	100.8
	202.5



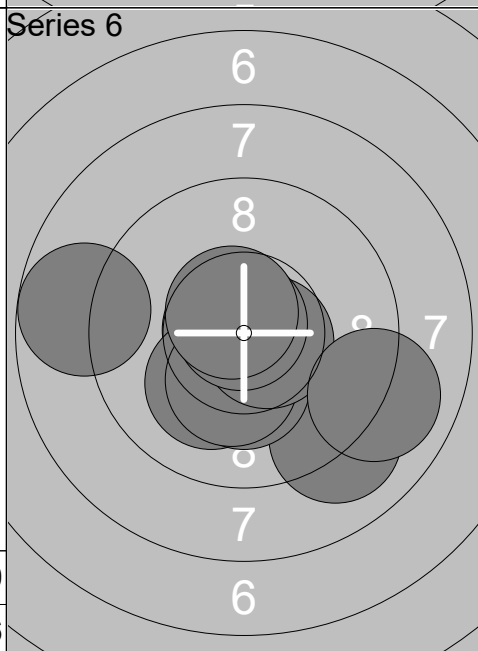
1:	10.1 ↖
2:	10.6x →
3:	10.2x ↗
4:	9.8 →
5:	10.4x ⇒
6:	10.3x ↙
7:	9.9 ↗
8:	8.9 ↗
9:	9.8 ↗
10:	10.5x ↙
Series	100.5
	303.0



1:	10.3x ↑
2:	9.9 ↑
3:	10.2x ↖
4:	9.7 ⇒
5:	10.4x →
6:	9.7 →
7:	9.2 ←
8:	10.2x ↗
9:	9.8 ←
10:	10.2x ↗
Series	99.6
	402.6



1:	10.0 →
2:	9.7 ↑
3:	9.7 ↗
4:	9.4 ↑
5:	10.0 ↗
6:	10.5x ↖
7:	9.1 ←
8:	9.3 →
9:	9.6 ←
10:	9.7 ↑
Series	97.0
	499.6



1:	10.7x ←
2:	8.7 ←
3:	10.1 ↙
4:	9.1 ↘
5:	10.2x ↓
6:	10.3x ↓
7:	10.6x ⇒
8:	9.0 ⇒
9:	10.8x ↗
10:	10.6x ↖
Series	100.1
	599.7