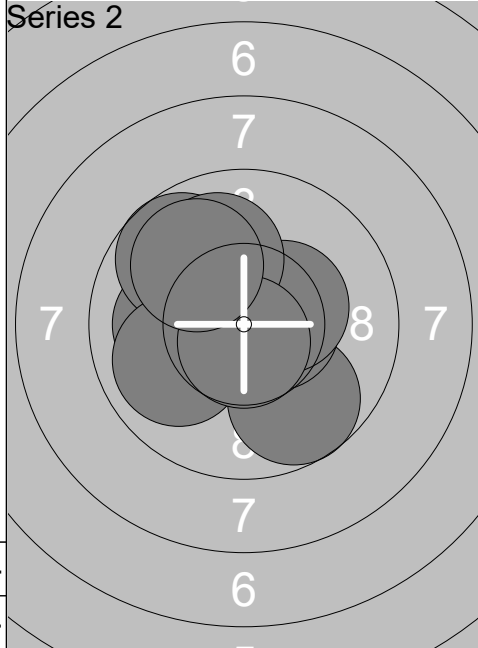
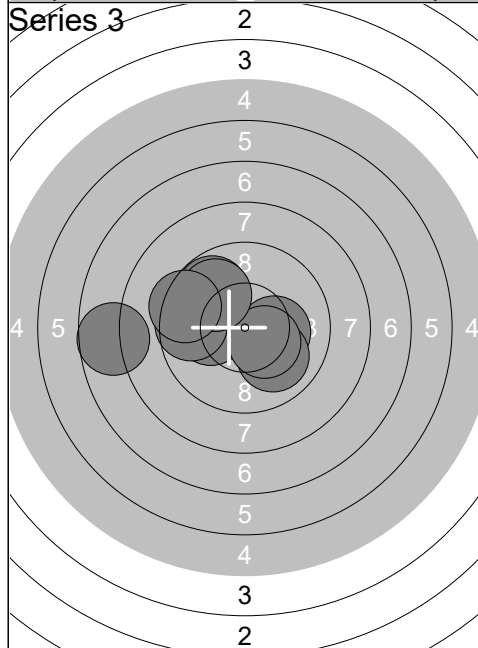


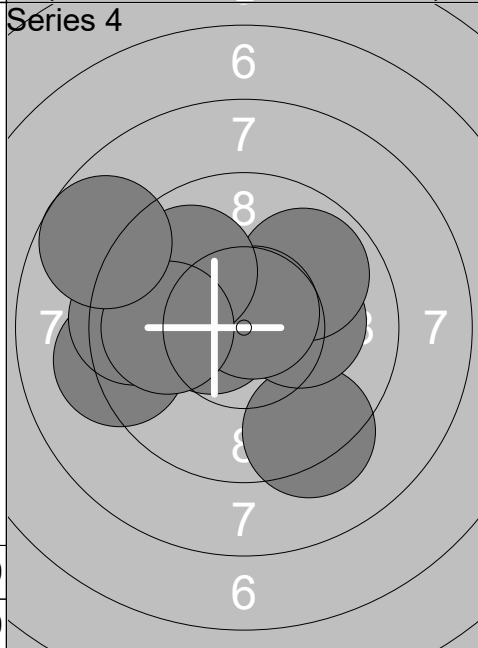
1:	10.5x ↗
2:	8.9 ↗
3:	9.1 ↖
4:	9.7 ←
5:	10.6x ↖
6:	10.2x →
7:	10.4x ↘
8:	10.4x ↖
9:	9.1 ↗
10:	10.5x ↘
<b>Series</b>	<b>99.4</b>
	<b>99.4</b>



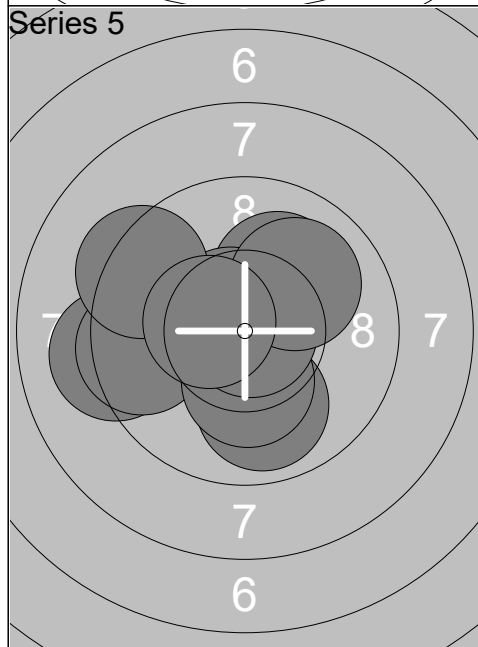
1:	9.7 ↘
2:	10.1 ←
3:	10.8x ←
4:	9.7 ↗
5:	9.9 ←
6:	10.5x →
7:	10.3x →
8:	10.0 ↗
9:	10.7x ↘
10:	9.9 ↖
<b>Series</b>	<b>101.6</b>
	<b>201.0</b>



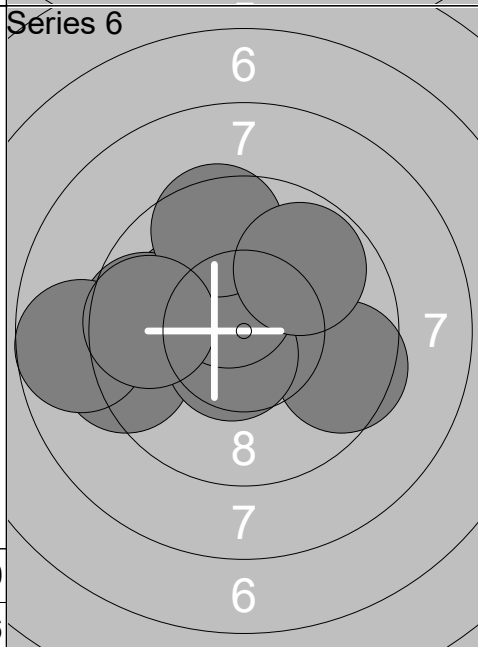
1:	10.2x →
2:	7.7 ←
3:	10.0 ↘
4:	10.1 ←
5:	10.1 ←
6:	9.7 ↗
7:	9.6 ←
8:	10.3x ↘
9:	9.8 ↗
10:	9.4 ←
<b>Series</b>	<b>96.9</b>
	<b>297.9</b>



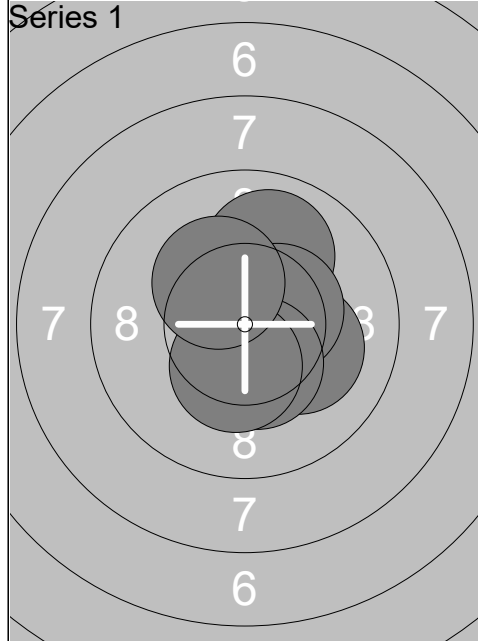
1:	9.3 ↘
2:	10.5x ←
3:	9.2 ←
4:	10.2x →
5:	9.8 ↗
6:	10.7x ↗
7:	9.5 ←
8:	9.9 ↗
9:	9.9 ←
10:	8.7 ↖
<b>Series</b>	<b>97.7</b>
	<b>395.6</b>



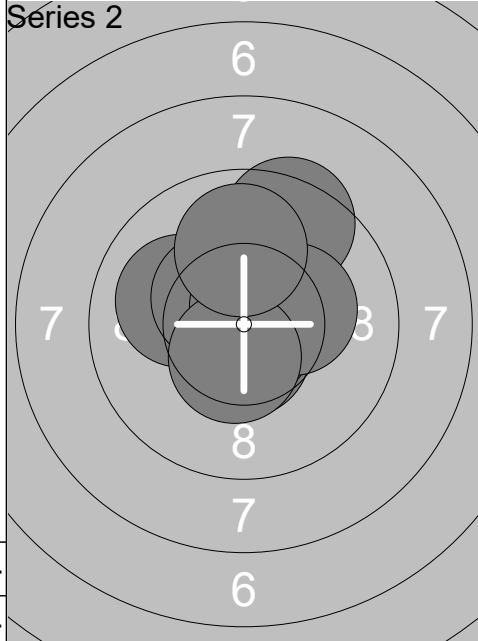
1:	10.1 ↗
2:	10.6x ↖
3:	9.1 ←
4:	9.5 ←
5:	9.9 ↘
6:	10.3x ↘
7:	10.8x →
8:	9.3 ↖
9:	10.0 ↗
10:	10.4x ←
<b>Series</b>	<b>100.0</b>
	<b>495.6</b>



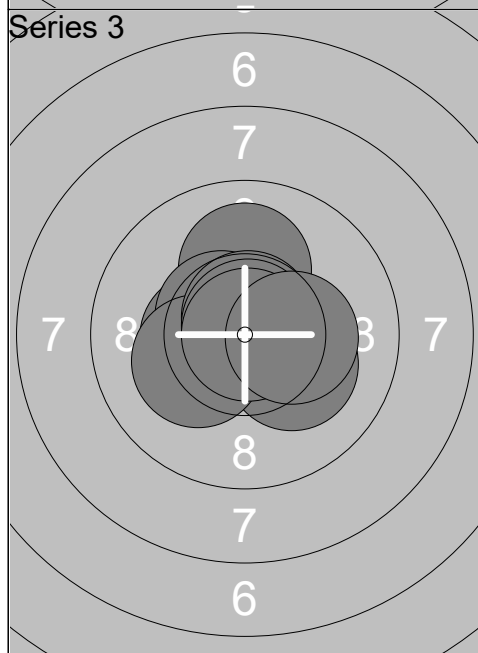
1:	9.5 →
2:	9.2 ←
3:	10.1 ↖
4:	10.5x ↘
5:	9.6 ←
6:	10.5x ↗
7:	9.5 ↗
8:	9.8 ↗
9:	8.7 ←
10:	9.6 ←
<b>Series</b>	<b>97.0</b>
	<b>592.6</b>



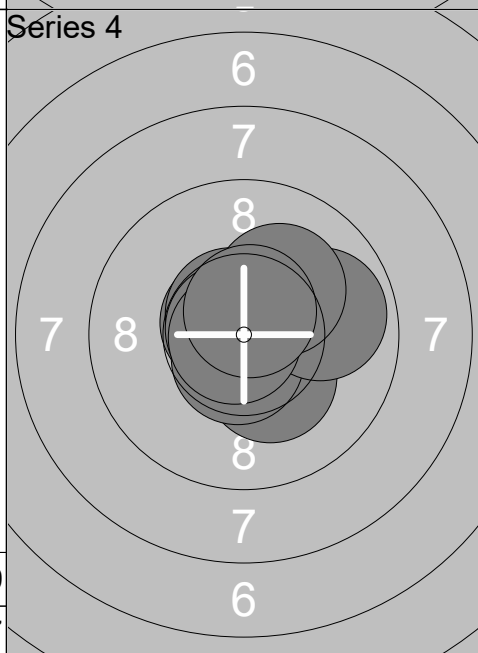
1:	10.5x ↗
2:	10.3x ↗
3:	9.9 ↗
4:	10.1 ➡
5:	10.6x ↓
6:	10.7x ↗
7:	10.4x ↗
8:	10.4x ↓
9:	10.3x ↓
10:	10.2x ↖
<b>Series</b>	<b>103.4</b>
	<b>103.4</b>



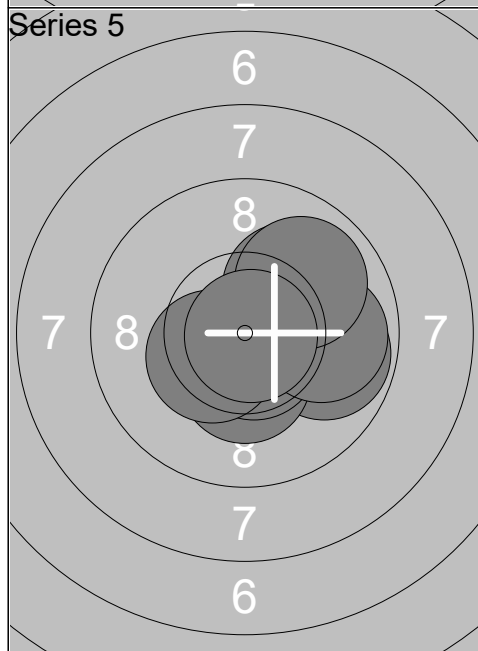
1:	10.0 ←
2:	9.5 ↗
3:	10.6x ↓
4:	10.9x ↙
5:	10.7x ↓
6:	10.4x ↖
7:	10.6x ↗
8:	10.3x ➡
9:	10.5x ↓
10:	9.9 ↑
<b>Series</b>	<b>103.4</b>
	<b>206.8</b>



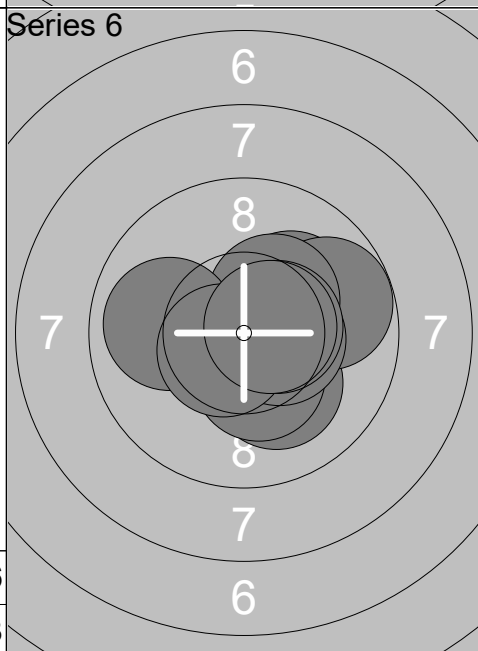
1:	10.4x ←
2:	10.1 ↑
3:	10.5x ↖
4:	10.2x ➡
5:	10.8x ↗
6:	10.2x ↙
7:	10.7x ↗
8:	10.8x ↗
9:	10.9x ➡
10:	10.3x ➡
<b>Series</b>	<b>104.9</b>
	<b>311.7</b>



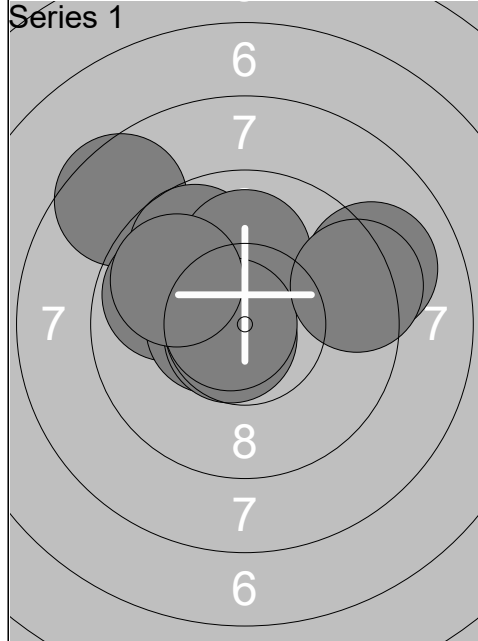
1:	10.7x ↑
2:	10.6x ↖
3:	10.3x ↓
4:	10.6x ↖
5:	10.7x ↖
6:	10.6x ↓
7:	9.9 ➡
8:	10.2x ↗
9:	10.8x ←
10:	10.6x ↗
<b>Series</b>	<b>105.0</b>
	<b>416.7</b>



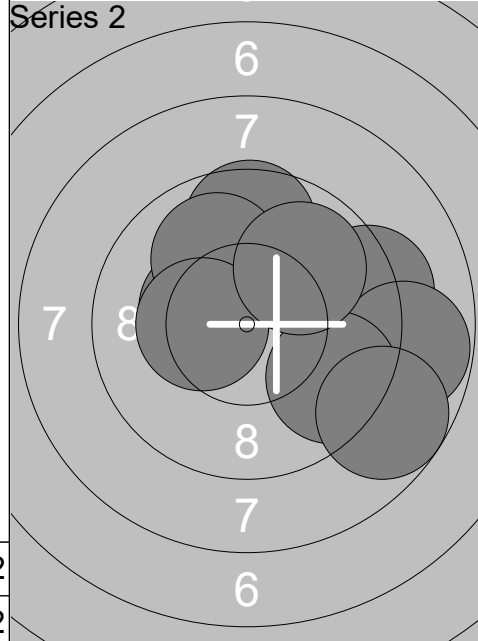
1:	9.8 ➡
2:	10.3x ➡
3:	10.3x ↓
4:	10.6x ↓
5:	10.4x ↙
6:	10.1 ↗
7:	10.5x ➡
8:	9.9 ➡
9:	9.9 ↗
10:	10.8x ➡
<b>Series</b>	<b>102.6</b>
	<b>519.3</b>



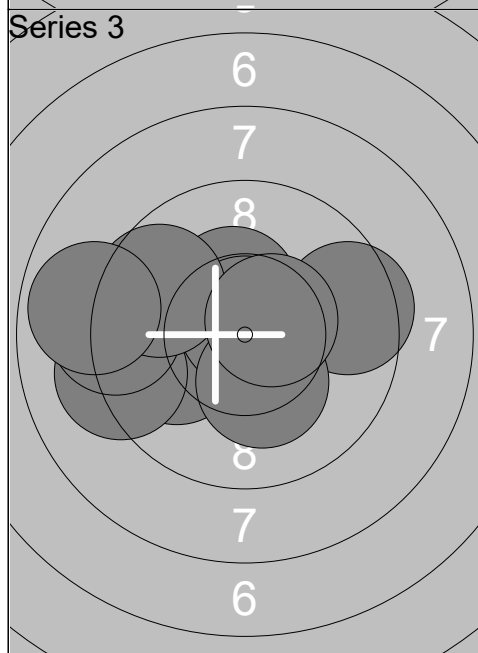
1:	10.1 ↓
2:	10.3x ↓
3:	10.1 ↗
4:	9.7 ➡
5:	10.3x ↗
6:	10.5x ➡
7:	10.5x ➡
8:	9.9 ←
9:	10.6x ↙
10:	10.6x ➡
<b>Series</b>	<b>102.6</b>
	<b>621.9</b>



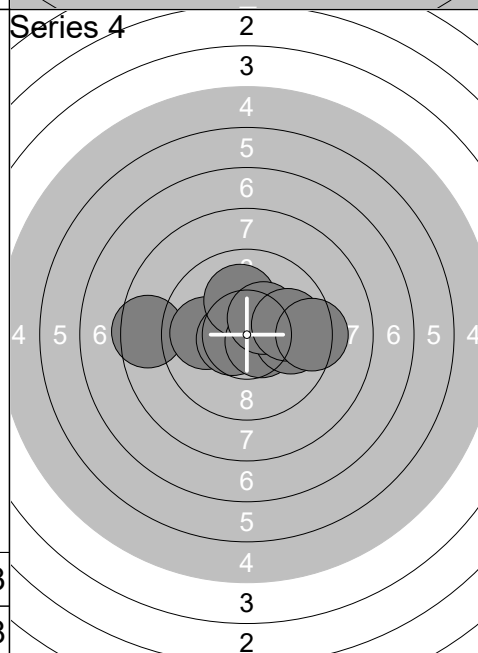
1:	8.6	↖
2:	9.7	↖
3:	10.0	↑
4:	9.8	↙
5:	10.5x	↙
6:	10.7x	↙
7:	10.7x	↙
8:	9.1	→
9:	9.3	→
10:	9.8	↖
<b>Series</b>	<b>98.2</b>	
	<b>98.2</b>	



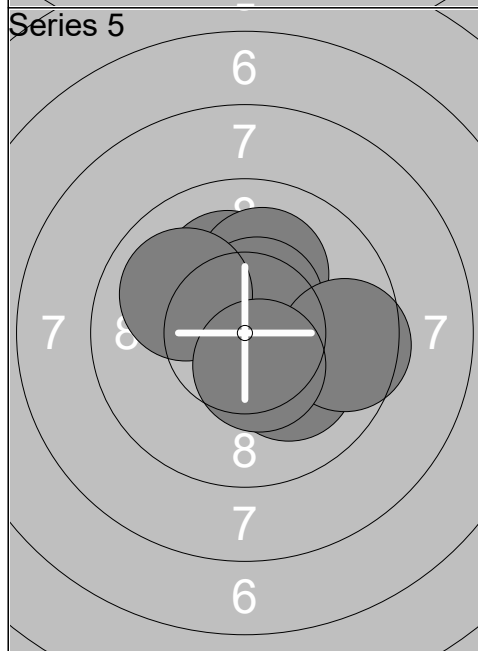
1:	9.6	↑
2:	9.1	→
3:	10.3x	↙
4:	9.2	→
5:	8.8	→
6:	9.5	↘
7:	8.7	↘
8:	9.9	↑
9:	10.3x	↙
10:	9.9	↗
<b>Series</b>	<b>95.3</b>	
	<b>193.5</b>	



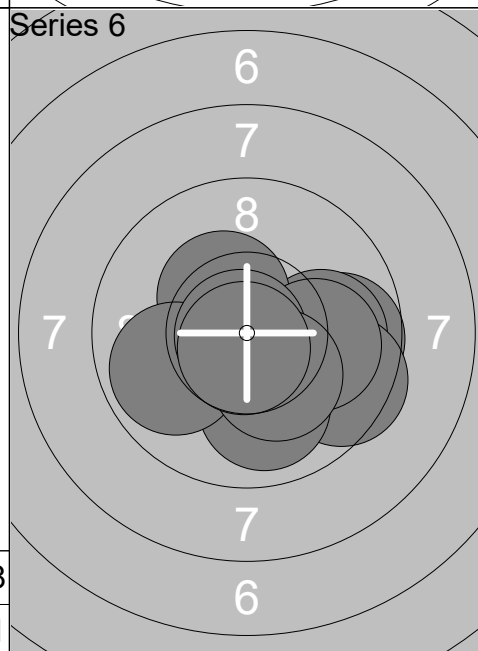
1:	10.4x	↑
2:	10.0	←
3:	9.5	→
4:	10.8x	↑
5:	9.2	←
6:	9.2	←
7:	9.6	↖
8:	8.9	←
9:	10.2x	↘
10:	10.5x	↗
<b>Series</b>	<b>98.3</b>	
	<b>291.8</b>	



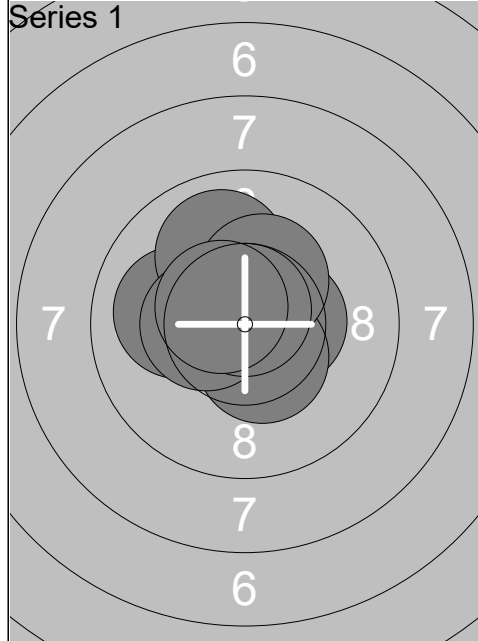
1:	8.5	←
2:	9.9	←
3:	10.6x	↙
4:	10.5x	↗
5:	10.1	↑
6:	10.5x	↘
7:	9.8	→
8:	10.4x	↗
9:	9.9	→
10:	9.3	→
<b>Series</b>	<b>99.5</b>	
	<b>391.3</b>	



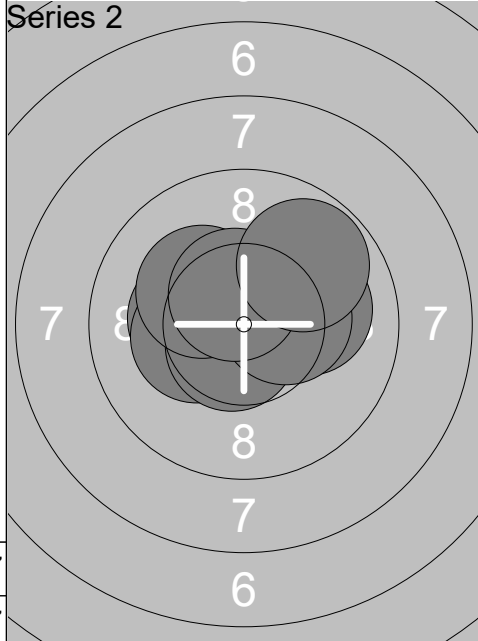
1:	10.7x	↘
2:	10.7x	→
3:	10.1	↘
4:	10.5x	↑
5:	10.2x	↗
6:	10.1	↑
7:	10.5x	↗
8:	10.0	↖
9:	9.6	→
10:	10.4x	↘
<b>Series</b>	<b>102.8</b>	
	<b>494.1</b>	



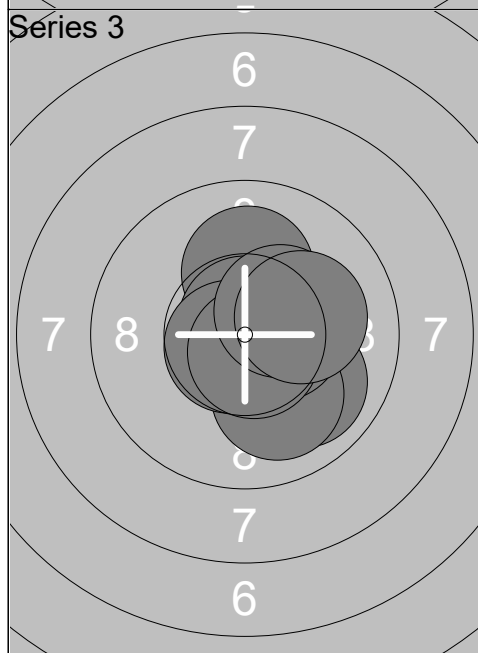
1:	9.7	→
2:	9.9	→
3:	9.5	↘
4:	10.3x	↗
5:	10.0	↘
6:	9.9	↙
7:	10.0	→
8:	10.9x	↙
9:	10.2x	↘
10:	10.7x	↘
<b>Series</b>	<b>101.1</b>	
	<b>595.2</b>	



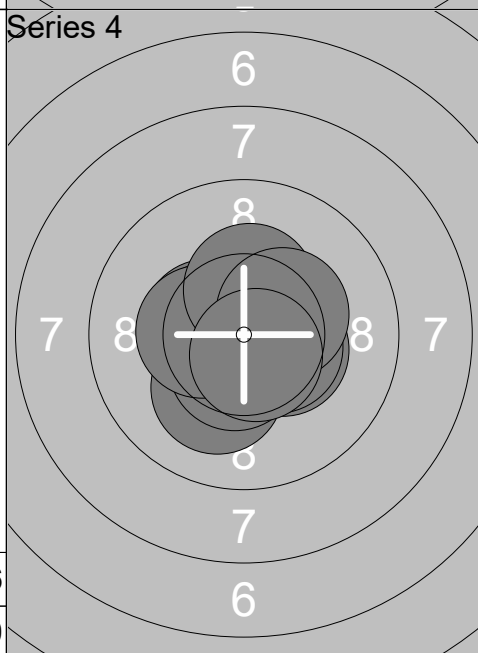
1:	10.4x	→
2:	10.6x	↖
3:	10.4x	↗
4:	10.0	←
5:	10.4x	↘
6:	10.0	↗
7:	10.3x	↗
8:	10.4x	←
9:	10.7x	↗
10:	10.5x	↖
<b>Series</b>	<b>103.7</b>	
	<b>103.7</b>	



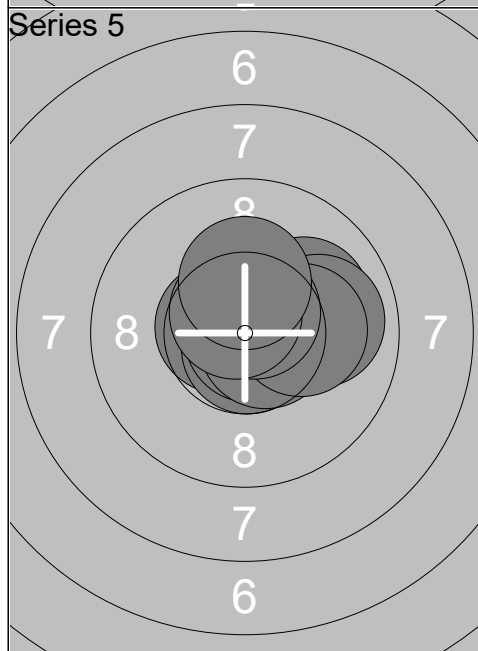
1:	10.9x	→
2:	10.2x	←
3:	10.1	→
4:	10.7x	↖
5:	10.3x	←
6:	10.6x	↘
7:	10.4x	→
8:	10.2x	↖
9:	10.5x	↗
10:	9.8	↗
<b>Series</b>	<b>103.7</b>	
	<b>207.4</b>	



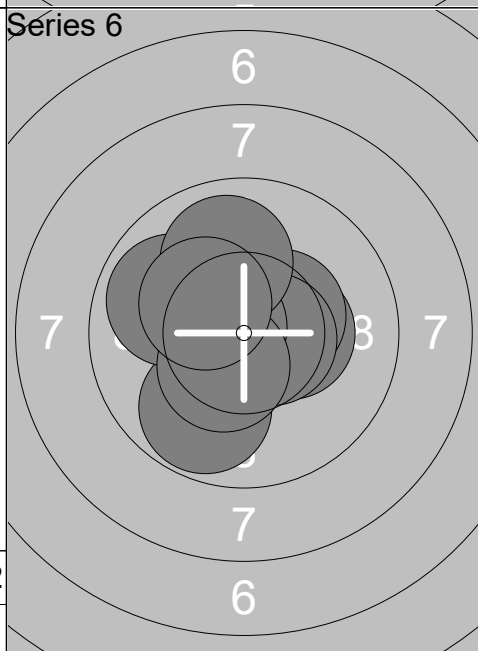
1:	10.1	↗
2:	10.8x	↗
3:	9.9	↘
4:	10.5x	→
5:	10.0	↘
6:	10.6x	↖
7:	10.5x	→
8:	10.7x	↘
9:	10.4x	↗
10:	10.1	→
<b>Series</b>	<b>103.6</b>	
	<b>311.0</b>	



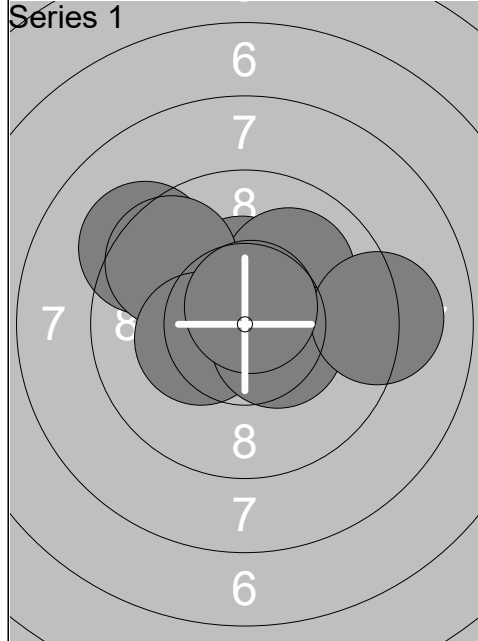
1:	10.4x	←
2:	10.1	↘
3:	10.3x	→
4:	10.5x	←
5:	10.5x	↘
6:	10.4x	←
7:	10.5x	→
8:	10.3x	↗
9:	10.3x	↗
10:	10.6x	↘
<b>Series</b>	<b>103.9</b>	
	<b>414.9</b>	



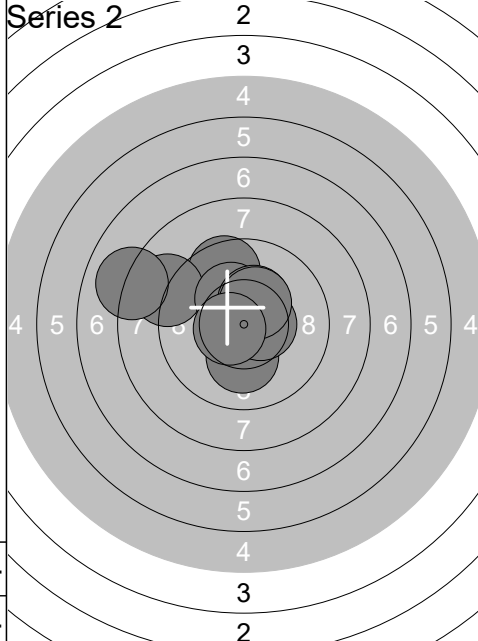
1:	10.6x	←
2:	10.7x	↘
3:	10.0	↗
4:	9.9	→
5:	10.8x	↘
6:	10.6x	→
7:	10.2x	→
8:	10.6x	↗
9:	10.6x	↗
10:	10.2x	↗
<b>Series</b>	<b>104.2</b>	
	<b>519.1</b>	



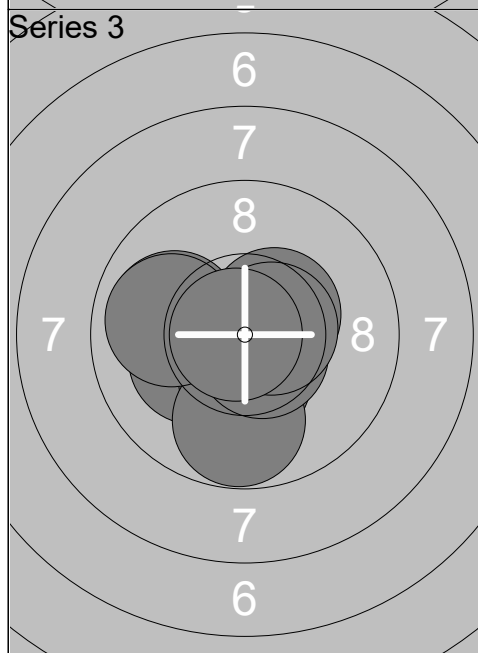
1:	10.3x	→
2:	10.2x	↖
3:	10.4x	↗
4:	9.8	↘
5:	9.9	←
6:	10.5x	→
7:	10.6x	←
8:	9.9	↗
9:	10.4x	↘
10:	10.3x	↖
<b>Series</b>	<b>102.3</b>	
	<b>621.4</b>	



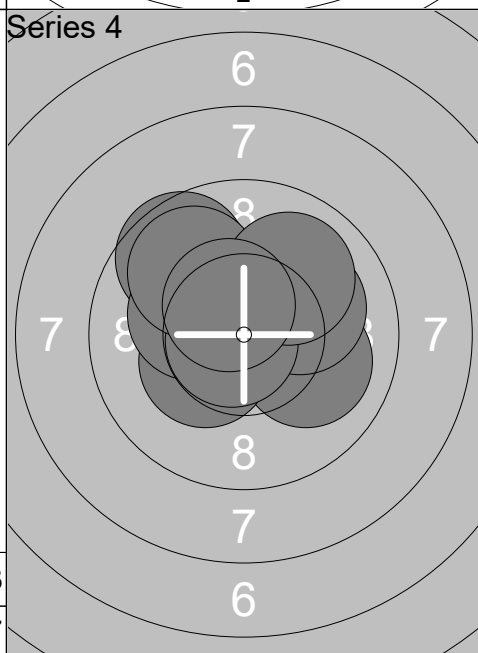
1:	10.4x	↑
2:	9.2	↖
3:	10.0	↗
4:	9.6	↖
5:	10.8x	←
6:	10.9x	↑
7:	10.3x	←
8:	10.4x	↘
9:	9.1	→
10:	10.7x	↑
<b>Series</b>	<b>101.4</b>	
	<b>101.4</b>	



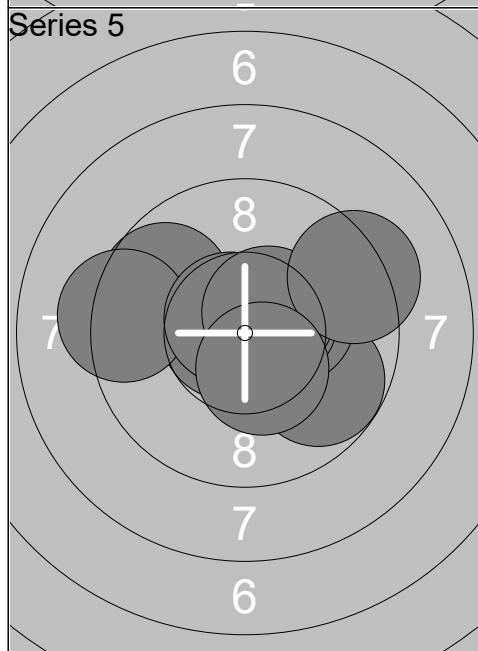
1:	9.6	↑
2:	10.5x	↖
3:	10.1	↓
4:	8.9	↖
5:	10.2x	↖
6:	10.5x	→
7:	10.3x	↗
8:	10.3x	↗
9:	10.6x	←
10:	8.0	↖
<b>Series</b>	<b>99.0</b>	
	<b>200.4</b>	



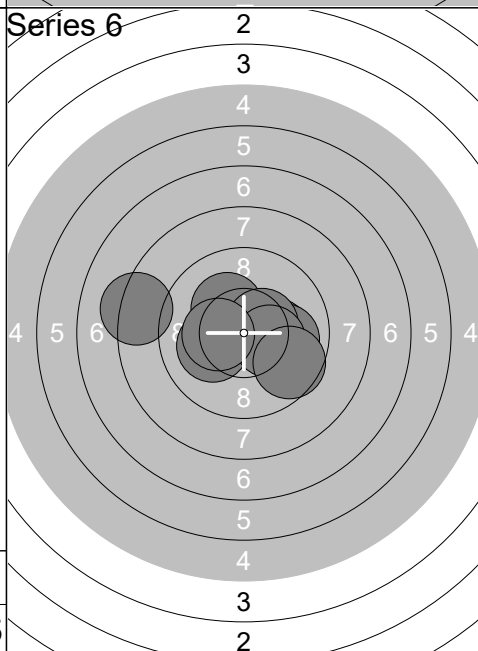
1:	10.7x	↓
2:	10.2x	←
3:	10.5x	↗
4:	10.3x	↓
5:	9.8	↓
6:	10.6x	↘
7:	10.6x	→
8:	9.9	←
9:	9.9	←
10:	10.8x	←
<b>Series</b>	<b>103.3</b>	
	<b>303.7</b>	



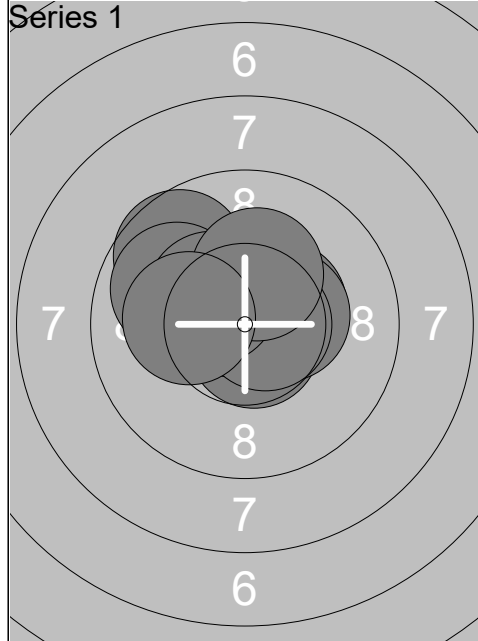
1:	9.6	↖
2:	10.0	→
3:	10.3x	↖
4:	10.3x	↖
5:	10.2x	←
6:	10.1	→
7:	10.8x	←
8:	9.9	↖
9:	10.0	↗
10:	10.5x	↖
<b>Series</b>	<b>101.7</b>	
	<b>405.4</b>	



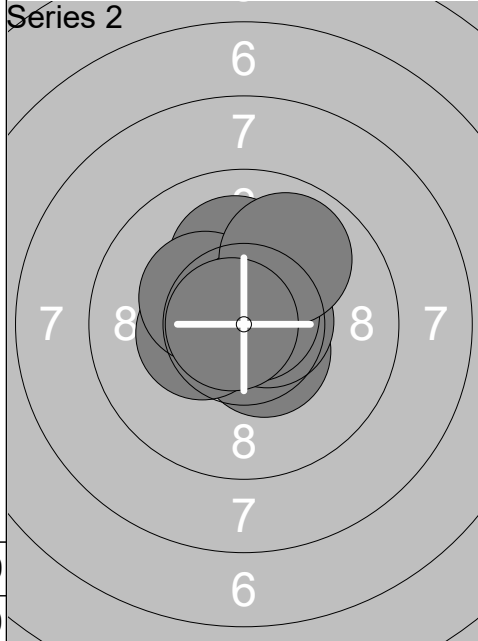
1:	9.7	↖
2:	10.7x	←
3:	9.3	←
4:	10.7x	↖
5:	9.7	↘
6:	10.3x	→
7:	10.5x	↗
8:	10.5x	↗
9:	9.3	↗
10:	10.4x	↘
<b>Series</b>	<b>101.1</b>	
	<b>506.5</b>	



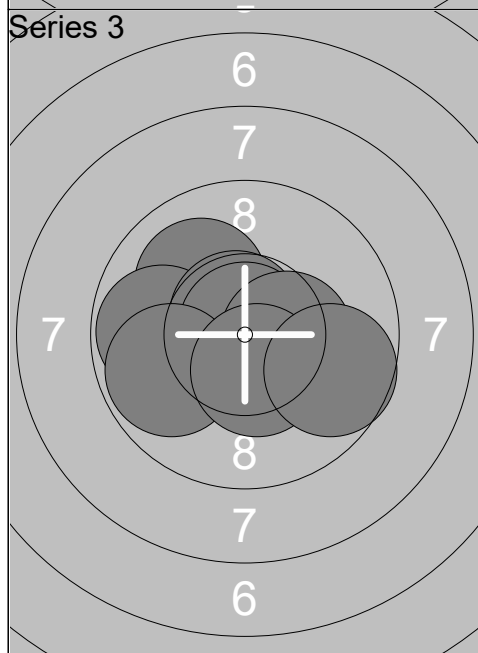
1:	10.2x	→
2:	10.9x	↑
3:	10.2x	↖
4:	10.0	→
5:	10.5x	↗
6:	10.1	←
7:	10.3x	→
8:	10.3x	←
9:	9.6	↘
10:	8.2	←
<b>Series</b>	<b>100.3</b>	
	<b>606.8</b>	



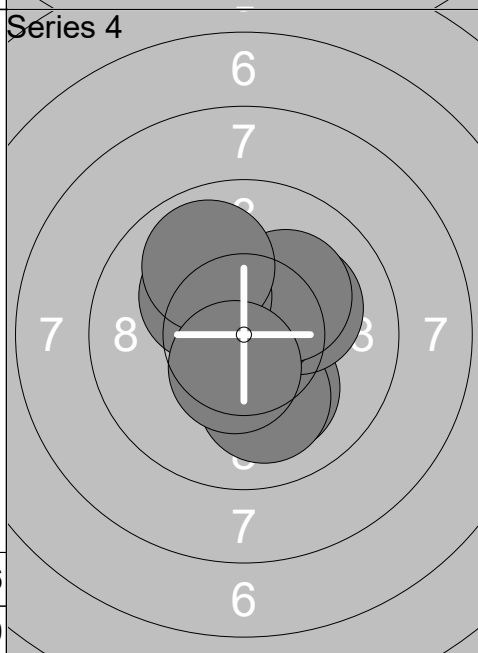
1:	9.6 ↖
2:	10.7x ↘
3:	10.4x ↗
4:	10.4x →
5:	9.9 ↖
6:	10.6x ↖
7:	10.6x →
8:	10.4x ↖
9:	10.2x ↑
10:	10.2x ←
<b>Series</b>	<b>103.0</b>
	<b>103.0</b>



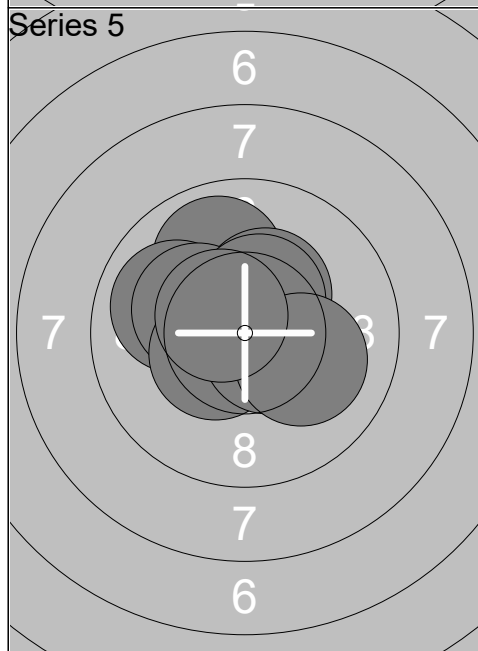
1:	10.3x ↗
2:	10.7x →
3:	10.1 ↑
4:	10.5x ↘
5:	10.6x →
6:	10.4x ←
7:	10.3x ↖
8:	10.7x ↗
9:	9.9 ↗
10:	10.8x ←
<b>Series</b>	<b>104.3</b>
	<b>207.3</b>



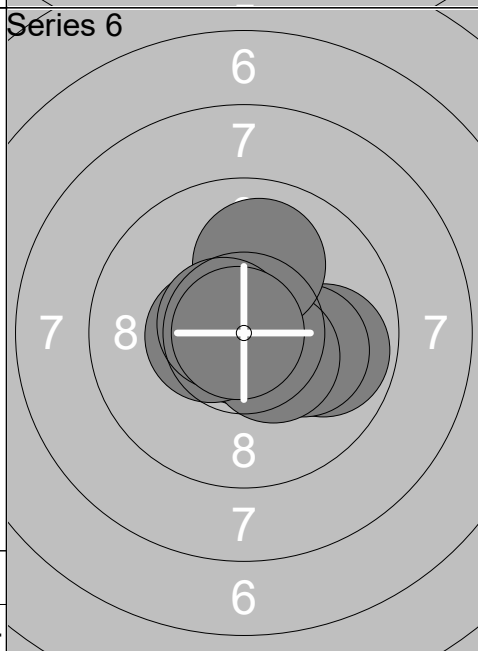
1:	10.4x ←
2:	10.6x ↖
3:	10.0 ↗
4:	9.8 ←
5:	10.6x ↗
6:	10.9x ↑
7:	10.4x →
8:	9.8 ←
9:	10.4x ↘
10:	9.7 →
<b>Series</b>	<b>102.6</b>
	<b>309.9</b>



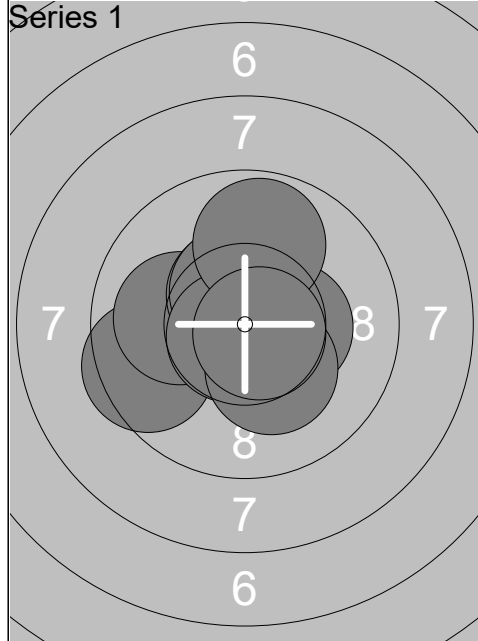
1:	10.1 ↘
2:	10.1 ↘
3:	10.1 ↗
4:	10.4x ↗
5:	10.3x ↖
6:	10.6x ↗
7:	10.2x ↗
8:	10.2x ↖
9:	9.9 ↗
10:	10.5x ↘
<b>Series</b>	<b>102.4</b>
	<b>412.3</b>



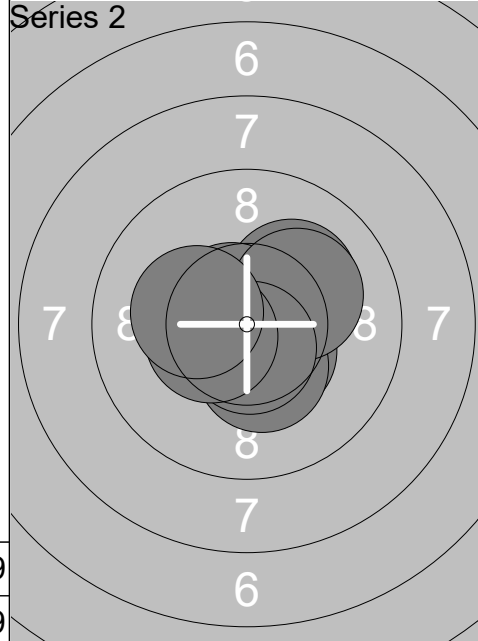
1:	9.9 ↗
2:	10.3x ↗
3:	9.9 ↖
4:	10.9x ↖
5:	10.2x ↖
6:	10.4x ←
7:	10.5x ↘
8:	10.4x ↗
9:	10.1 →
10:	10.5x ↖
<b>Series</b>	<b>103.1</b>
	<b>515.4</b>



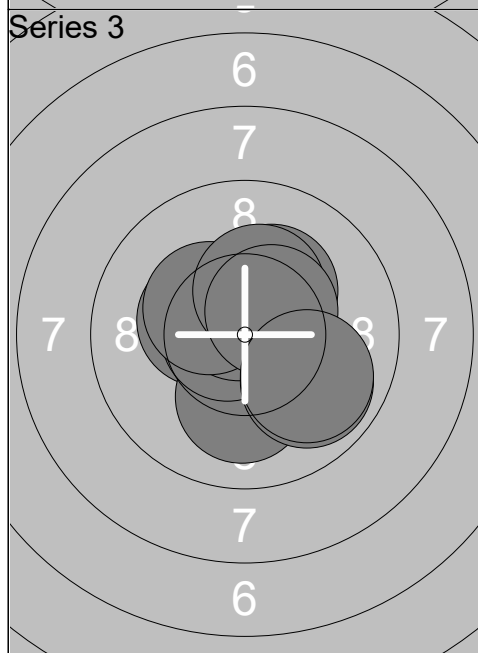
1:	9.8 →
2:	10.9x ↘
3:	10.1 →
4:	10.8x →
5:	10.4x ↘
6:	10.8x ←
7:	10.5x ←
8:	10.0 ↑
9:	10.6x ←
10:	10.8x ←
<b>Series</b>	<b>104.7</b>
	<b>620.1</b>



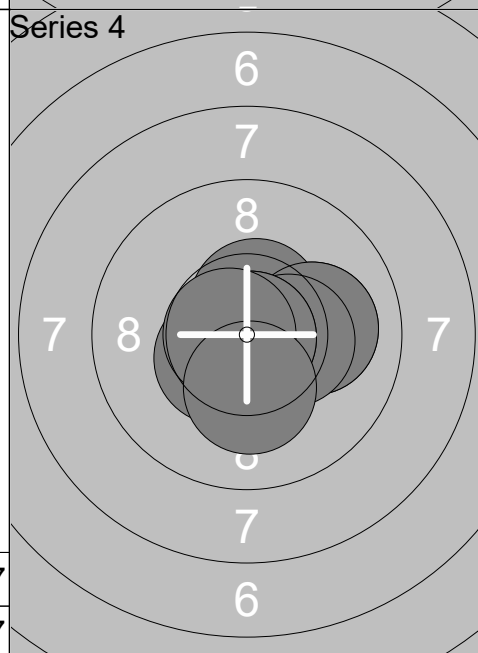
1:	9.5	↙
2:	10.7x	↘
3:	10.0	↙
4:	10.5x	↗
5:	10.3x	→
6:	10.5x	↗
7:	10.7x	↘
8:	9.8	↗
9:	10.2x	↘
10:	10.7x	↘
<b>Series</b>	<b>102.9</b>	
	<b>102.9</b>	



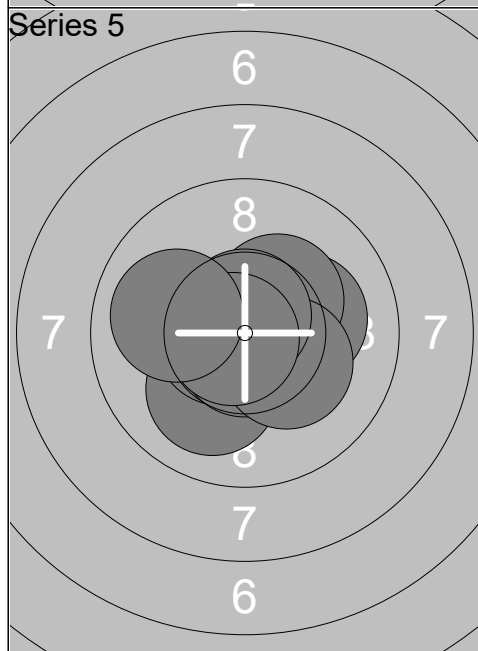
1:	10.1	↗
2:	10.4x	↘
3:	10.7x	↘
4:	10.6x	↖
5:	10.3x	↘
6:	10.7x	↘
7:	10.1	↗
8:	10.6x	↘
9:	10.4x	↙
10:	10.2x	↙
<b>Series</b>	<b>104.1</b>	
	<b>207.0</b>	



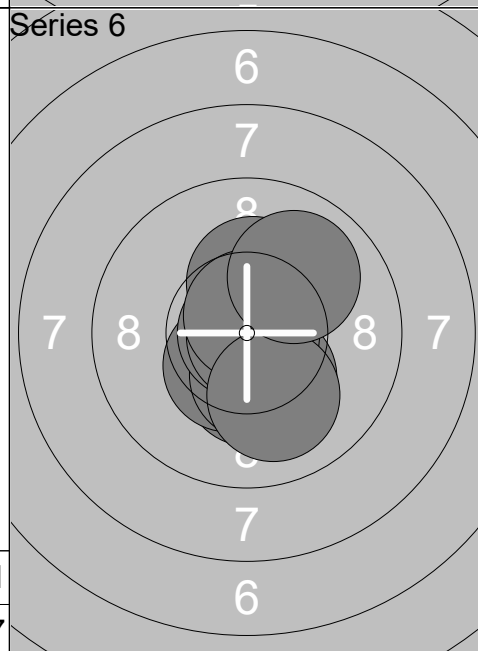
1:	10.3x	↙
2:	10.1	↘
3:	10.7x	↙
4:	10.6x	↗
5:	10.3x	↖
6:	10.2x	↗
7:	10.3x	↗
8:	10.4x	↗
9:	9.9	↘
10:	9.9	↘
<b>Series</b>	<b>102.7</b>	
	<b>309.7</b>	



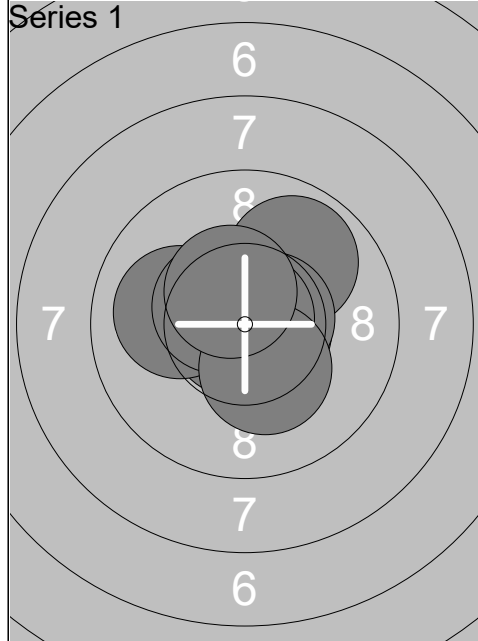
1:	10.8x	↘
2:	10.1	→
3:	10.5x	↗
4:	10.0	→
5:	10.4x	→
6:	10.4x	↘
7:	10.9x	↘
8:	10.9x	↘
9:	10.7x	↙
10:	10.2x	↘
<b>Series</b>	<b>104.9</b>	
	<b>414.6</b>	



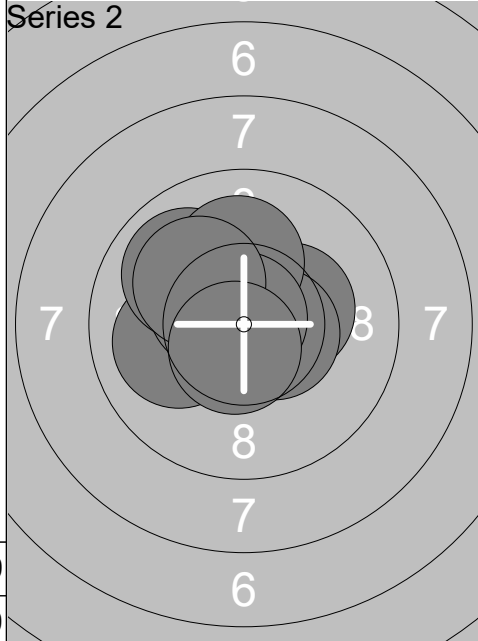
1:	10.1	↘
2:	10.6x	↙
3:	10.5x	→
4:	10.2x	→
5:	10.7x	↘
6:	10.3x	↗
7:	10.2x	↘
8:	10.7x	↗
9:	10.8x	↙
10:	10.0	↙
<b>Series</b>	<b>104.1</b>	
	<b>518.7</b>	



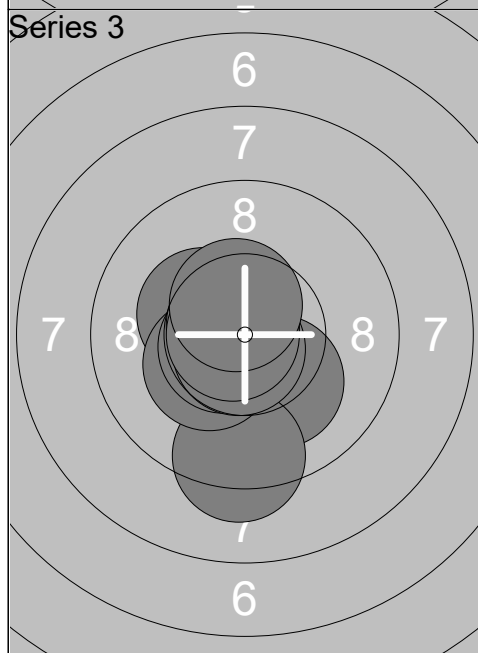
1:	10.3x	↘
2:	10.2x	↘
3:	10.4x	↘
4:	10.4x	↘
5:	10.9x	↙
6:	10.8x	↘
7:	10.3x	↗
8:	10.7x	↗
9:	10.0	↘
10:	9.9	↗
<b>Series</b>	<b>103.9</b>	
	<b>622.6</b>	



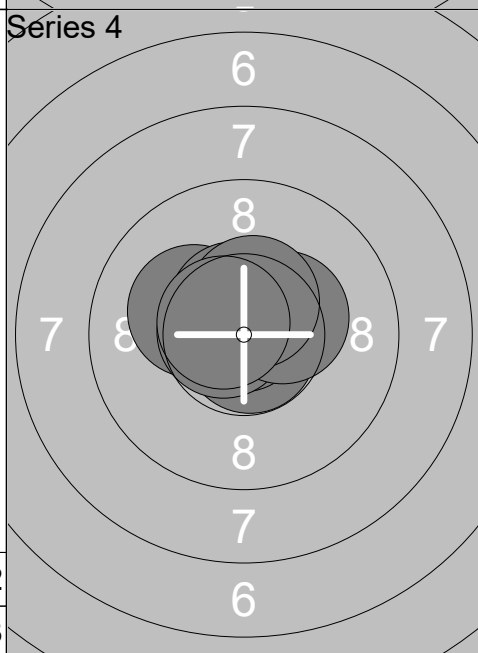
1:	10.6x →
2:	10.9x ↗
3:	10.8x ↙
4:	9.9 ↗
5:	10.6x →
6:	10.0 ←
7:	10.9x ↗
8:	10.5x ↖
9:	10.3x ↓
10:	10.4x ↖
<b>Series</b>	<b>104.9</b>
	<b>104.9</b>



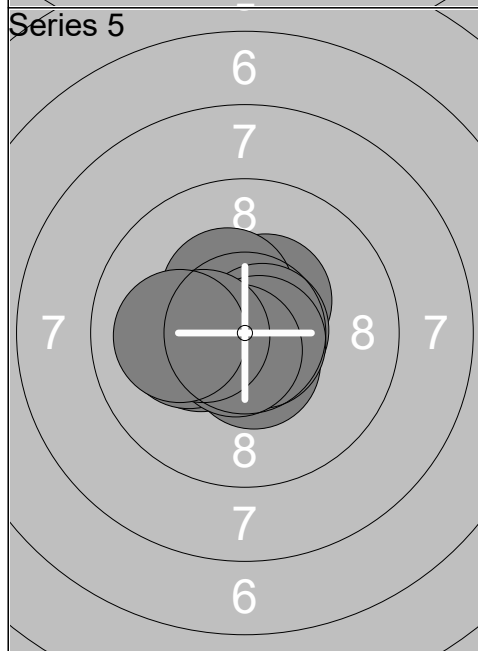
1:	10.5x ↑
2:	10.0 ←
3:	10.3x →
4:	10.4x ↖
5:	10.5x →
6:	9.9 ↗
7:	10.1 ↑
8:	10.8x ↖
9:	10.1 ↖
10:	10.6x ↓
<b>Series</b>	<b>103.2</b>
	<b>208.1</b>



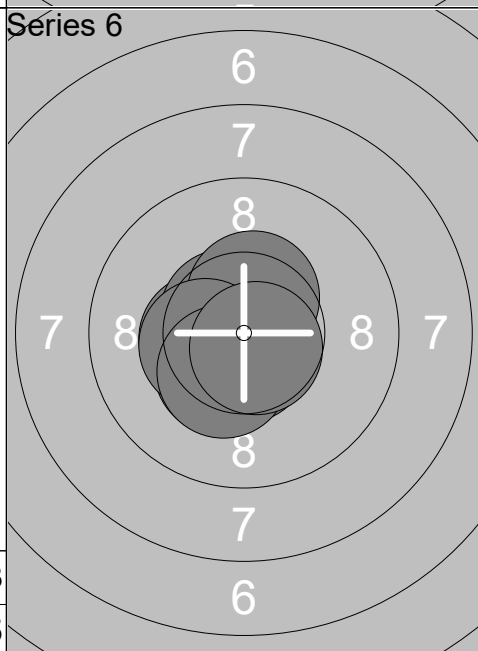
1:	10.8x ←
2:	10.2x ↓
3:	10.3x ↖
4:	9.3 ↓
5:	10.3x ↙
6:	10.6x ↙
7:	10.7x ↓
8:	10.7x ↖
9:	10.8x ←
10:	10.5x ↖
<b>Series</b>	<b>104.2</b>
	<b>312.3</b>



1:	10.2x ↖
2:	10.9x ↓
3:	10.7x ↖
4:	10.7x ↓
5:	10.8x ↖
6:	10.5x ↖
7:	10.6x ←
8:	10.4x →
9:	10.5x ↖
10:	10.6x ↖
<b>Series</b>	<b>105.9</b>
	<b>418.2</b>

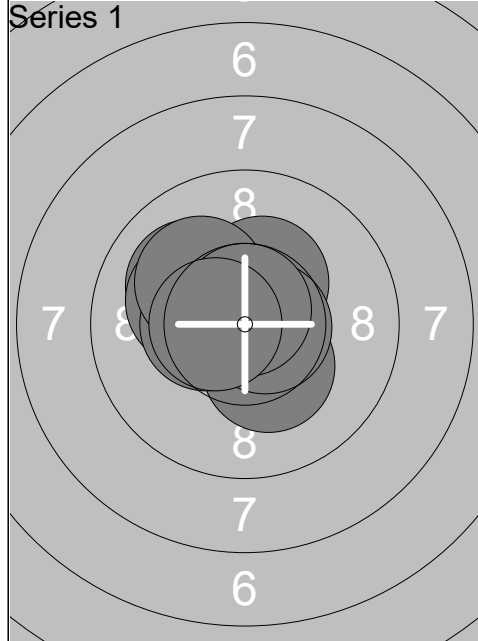


1:	10.4x ↗
2:	10.3x ↖
3:	10.5x ↓
4:	10.3x ←
5:	10.7x →
6:	10.7x →
7:	10.2x ←
8:	10.7x ↓
9:	10.4x ←
10:	10.1 ←
<b>Series</b>	<b>104.3</b>
	<b>522.5</b>

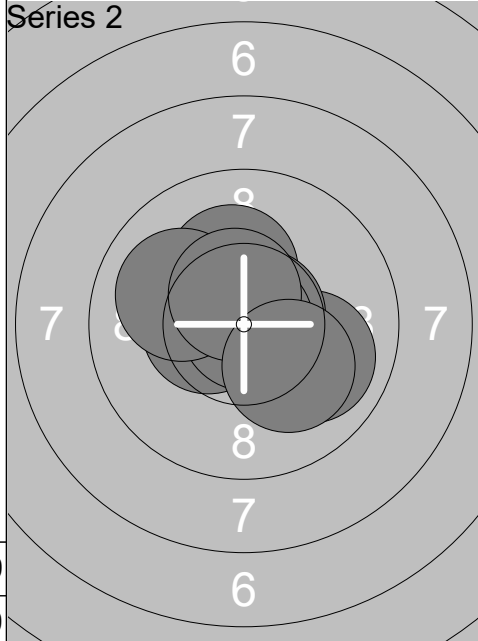


1:	10.3x ↓
2:	10.5x ↙
3:	10.4x ←
4:	10.6x ↓
5:	10.9x ←
6:	10.6x ↖
7:	10.4x ↖
8:	10.4x ←
9:	10.3x ↓
10:	10.7x ↓
<b>Series</b>	<b>105.1</b>
	<b>627.6</b>

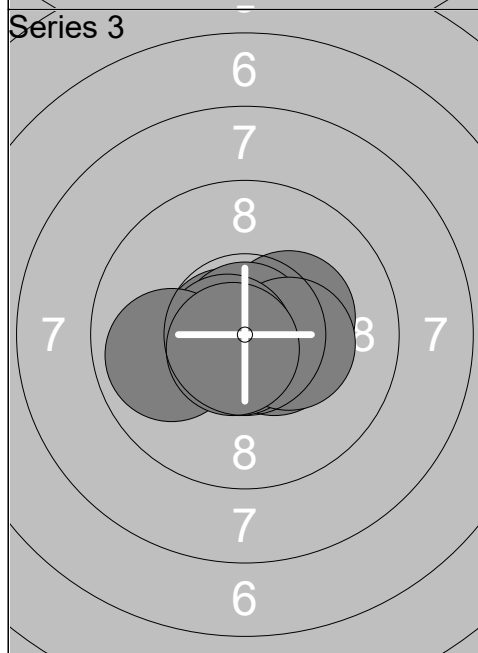




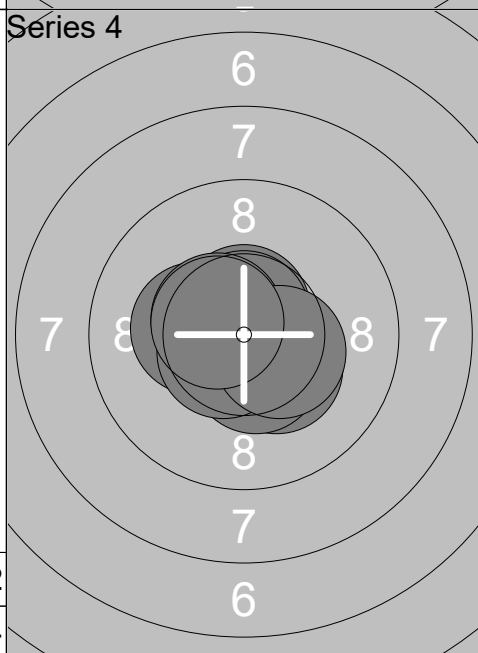
1:	10.3x ↗
2:	10.8x ↙
3:	10.0 ↖
4:	10.3x ↘
5:	10.7x →
6:	10.1 ↖
7:	10.4x ↙
8:	10.1 ↗
9:	10.7x ↑
10:	10.5x ↙
<b>Series</b>	<b>103.9</b>
	<b>103.9</b>



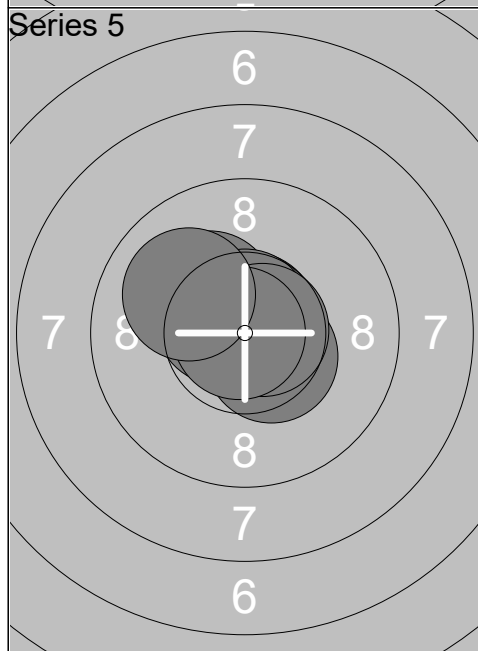
1:	10.0 ↘
2:	10.6x ↙
3:	10.2x ↑
4:	10.9x
5:	10.7x ↗
6:	10.4x ↙
7:	10.9x →
8:	10.0 ↖
9:	10.5x ↑
10:	10.1 ↘
<b>Series</b>	<b>104.3</b>
	<b>208.2</b>



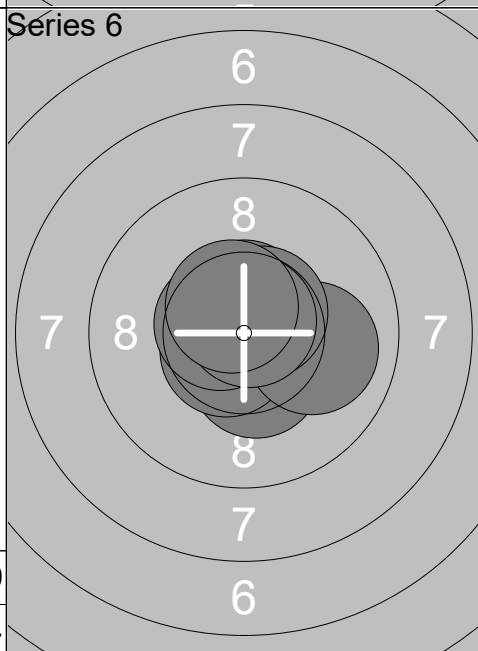
1:	10.5x ↘
2:	10.5x →
3:	10.7x ↙
4:	10.7x ↘
5:	10.3x ↗
6:	10.9x ↑
7:	10.3x →
8:	10.7x ↙
9:	9.9 ↖
10:	10.7x ↘
<b>Series</b>	<b>105.2</b>
	<b>313.4</b>



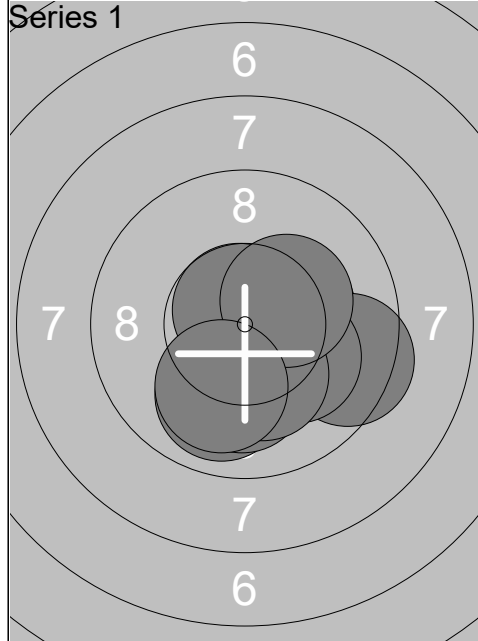
1:	10.3x ↘
2:	10.8x →
3:	10.5x ↘
4:	10.6x ↑
5:	10.7x ↑
6:	10.3x ↙
7:	10.5x ↙
8:	10.5x ↙
9:	10.4x ↘
10:	10.5x ↙
<b>Series</b>	<b>105.1</b>
	<b>418.5</b>



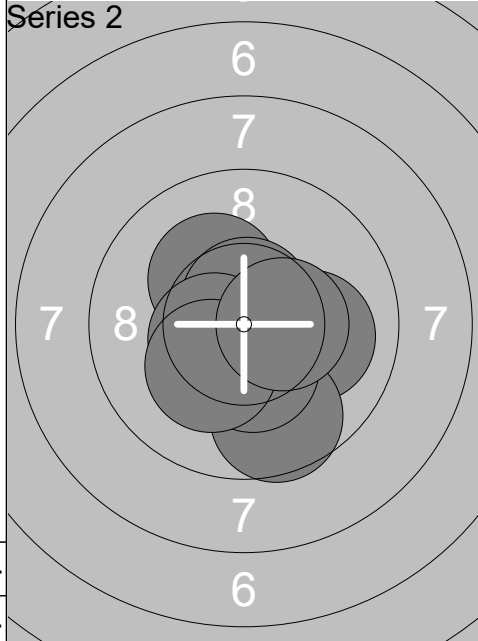
1:	10.7x ↗
2:	10.5x ↙
3:	10.9x →
4:	10.7x ↑
5:	10.5x ↘
6:	10.3x ↖
7:	10.7x ↑
8:	10.7x →
9:	10.9x ↙
10:	10.0 ↖
<b>Series</b>	<b>105.9</b>
	<b>524.4</b>



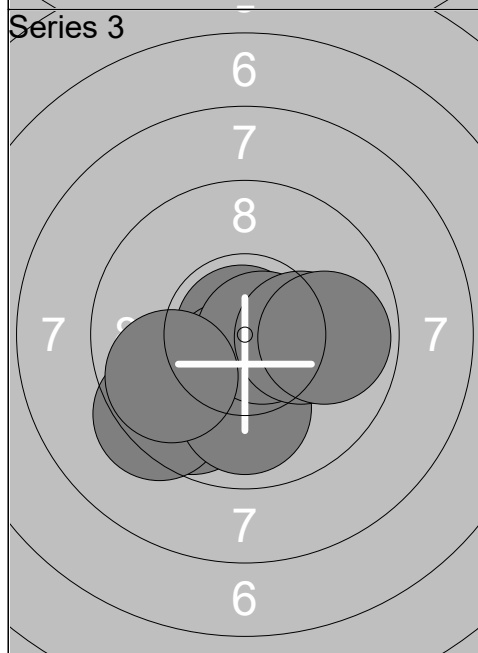
1:	10.7x ↖
2:	10.4x ↘
3:	10.9x ↑
4:	10.6x ↙
5:	10.0 →
6:	10.6x ↙
7:	10.6x ↑
8:	10.5x ↗
9:	10.7x ↗
10:	10.5x ↖
<b>Series</b>	<b>105.5</b>
	<b>629.9</b>



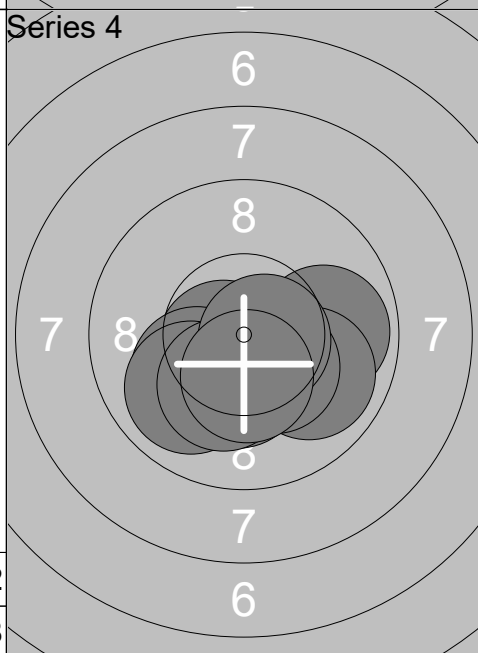
1:	9.9	↓
2:	10.3x	→
3:	10.3x	↘
4:	9.5	→
5:	10.1	↘
6:	10.1	↓
7:	10.7x	↗
8:	10.2x	↓
9:	10.3x	↗
10:	10.0	↓
<b>Series</b>	<b>101.4</b>	
	<b>101.4</b>	



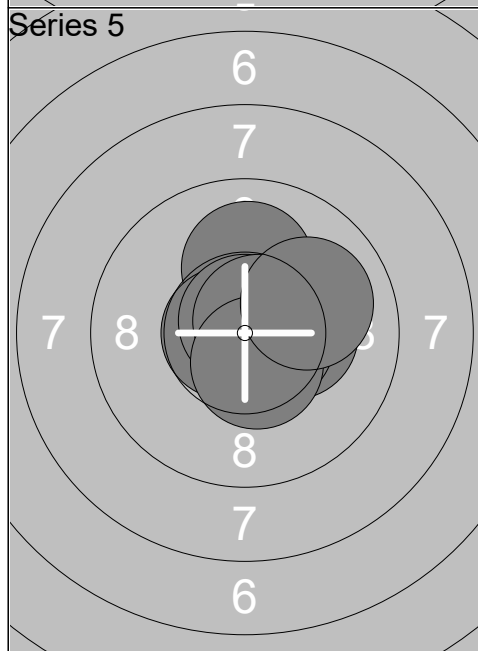
1:	10.6x	←
2:	10.2x	↖
3:	10.8x	↓
4:	10.0	→
5:	10.6x	↑
6:	9.6	↓
7:	10.3x	↓
8:	10.5x	←
9:	10.2x	↘
10:	10.4x	→
<b>Series</b>	<b>103.2</b>	
	<b>204.6</b>	



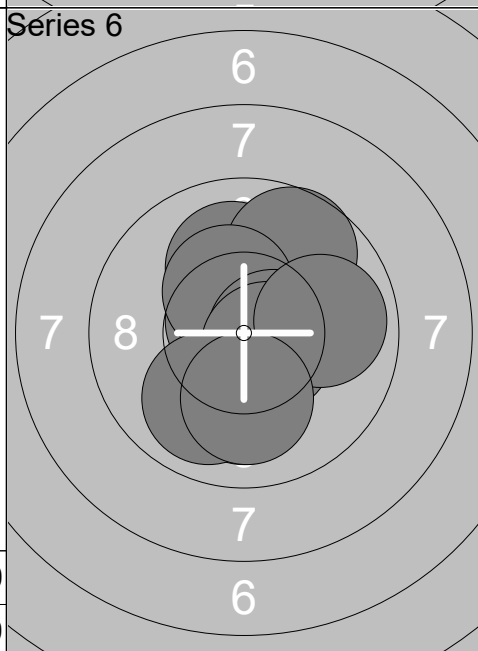
1:	10.9x	↖
2:	9.7	↓
3:	10.3x	↓
4:	9.3	←
5:	10.5x	↓
6:	9.9	↓
7:	10.7x	→
8:	10.2x	→
9:	9.8	←
10:	9.9	→
<b>Series</b>	<b>101.2</b>	
	<b>305.8</b>	



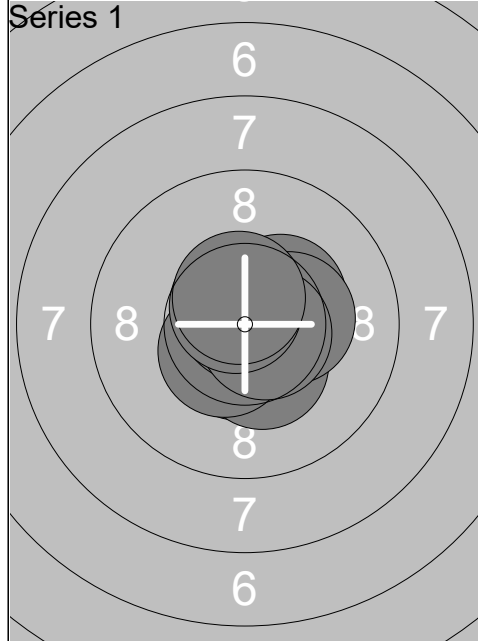
1:	9.8	→
2:	9.9	↘
3:	10.6x	←
4:	10.1	←
5:	9.9	←
6:	10.3x	↓
7:	10.2x	↓
8:	10.3x	↘
9:	10.6x	→
10:	10.4x	↓
<b>Series</b>	<b>102.1</b>	
	<b>407.9</b>	



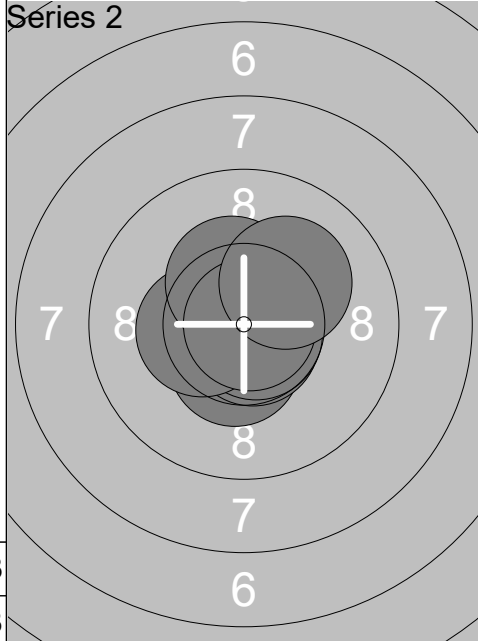
1:	10.3x	→
2:	10.8x	↓
3:	10.6x	→
4:	10.0	↑
5:	10.7x	←
6:	10.6x	→
7:	10.8x	↑
8:	10.7x	↗
9:	10.5x	↓
10:	10.0	↗
<b>Series</b>	<b>105.0</b>	
	<b>512.9</b>	



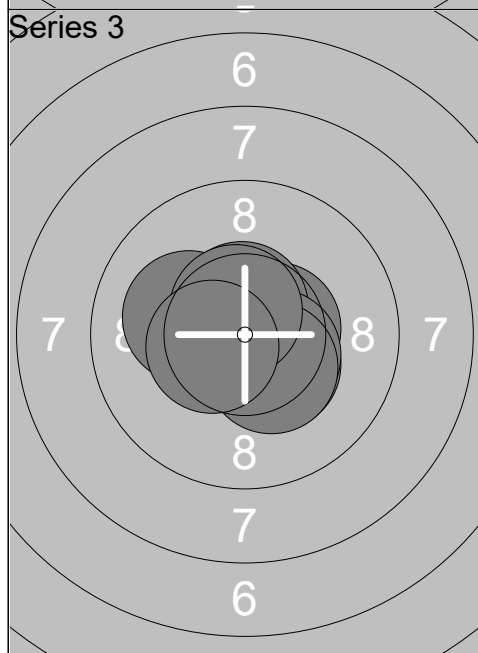
1:	10.0	↑
2:	10.7x	↖
3:	10.1	↓
4:	9.7	↗
5:	10.4x	↑
6:	10.5x	→
7:	10.6x	↘
8:	9.9	→
9:	9.9	↓
10:	10.0	↓
<b>Series</b>	<b>101.8</b>	
	<b>614.7</b>	



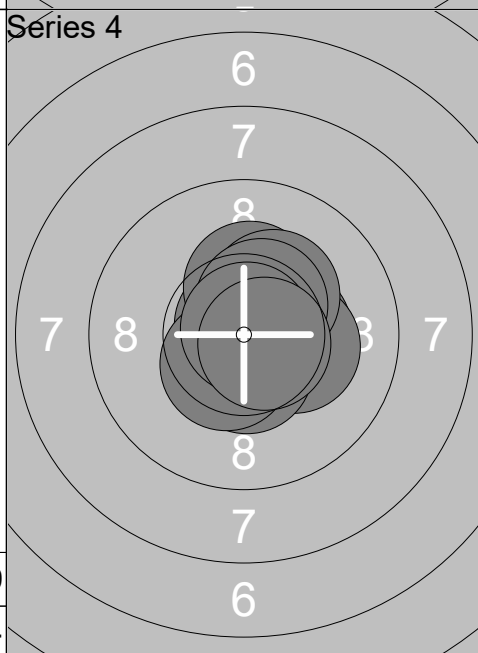
1:	10.3x ↗
2:	10.5x ↓
3:	10.4x ↓
4:	10.4x ↙
5:	10.7x ↑
6:	10.3x →
7:	10.8x ↑
8:	10.6x ⇒
9:	10.7x ↗
10:	10.6x ↑
<b>Series</b>	<b>105.3</b>
	<b>105.3</b>



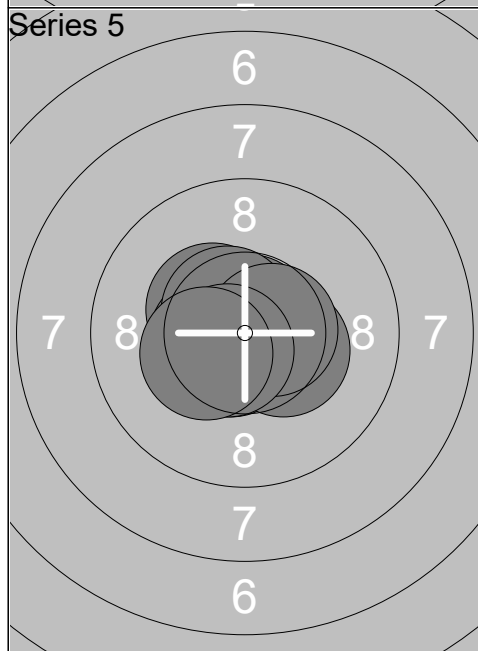
1:	10.6x ↙
2:	10.4x ↓
3:	10.7x ↓
4:	10.7x ⇒
5:	10.5x ↑
6:	10.4x ←
7:	10.6x ↗
8:	10.4x ↑
9:	10.8x →
10:	10.1 ↗
<b>Series</b>	<b>105.2</b>
	<b>210.5</b>



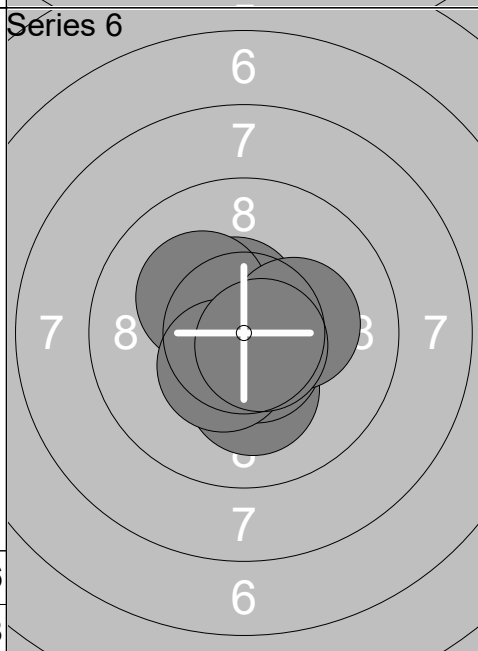
1:	10.5x →
2:	10.6x ←
3:	10.1 ←
4:	10.6x ↑
5:	10.9x ↓
6:	10.4x ↘
7:	10.4x ↘
8:	10.3x ↘
9:	10.6x ↑
10:	10.5x ←
<b>Series</b>	<b>104.9</b>
	<b>315.4</b>



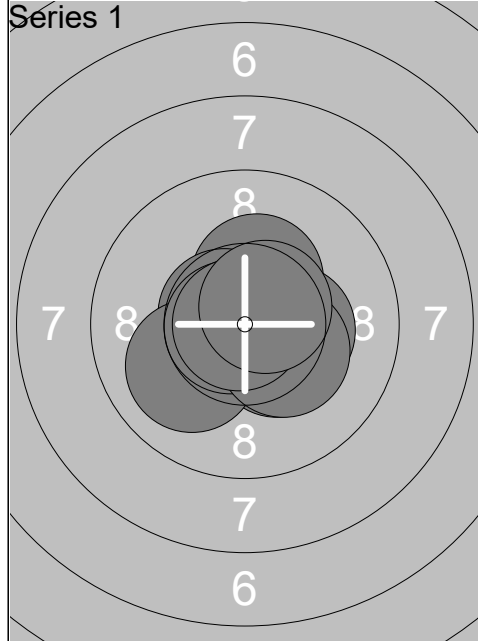
1:	10.4x →
2:	10.2x →
3:	10.5x ↓
4:	10.8x ↑
5:	10.3x ↑
6:	10.3x ↗
7:	10.4x ↗
8:	10.5x ↙
9:	10.8x ↗
10:	10.6x ⇒
<b>Series</b>	<b>104.8</b>
	<b>420.2</b>



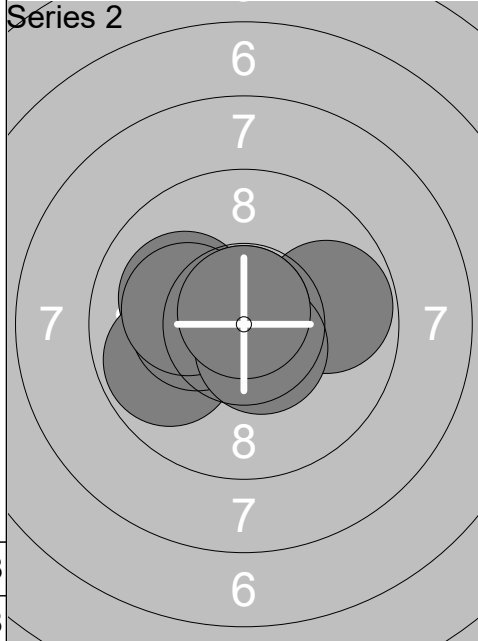
1:	10.4x ↙
2:	10.8x ↓
3:	10.6x ↙
4:	10.5x ←
5:	10.8x ↑
6:	10.6x ↗
7:	10.4x ⇒
8:	10.6x →
9:	10.6x ↙
10:	10.3x ←
<b>Series</b>	<b>105.6</b>
	<b>525.8</b>



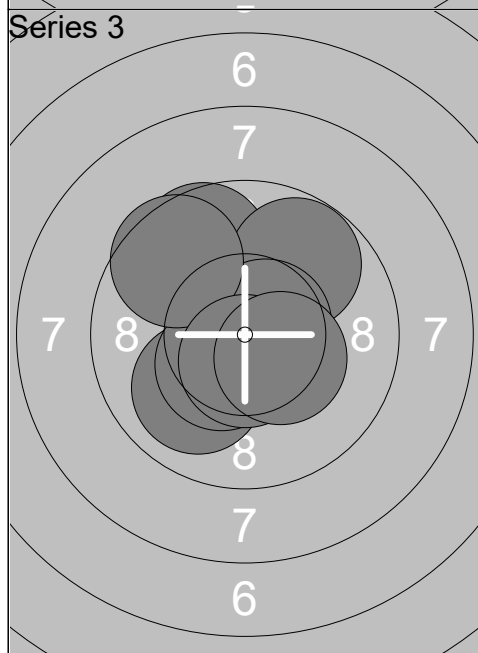
1:	10.6x ↓
2:	10.2x ↓
3:	10.6x ↓
4:	10.6x ↑
5:	10.7x ←
6:	10.5x ↑
7:	10.2x ↙
8:	10.2x →
9:	10.4x ↙
10:	10.6x ⇒
<b>Series</b>	<b>104.6</b>
	<b>630.4</b>



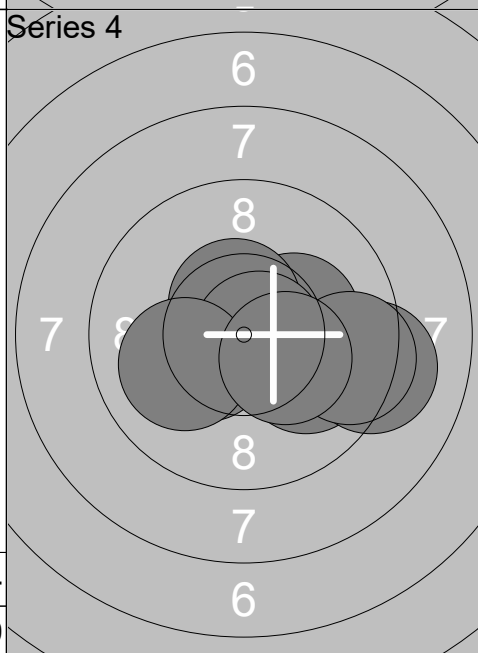
1:	10.3x ↗
2:	10.8x ↖
3:	10.3x →
4:	10.6x ↖
5:	10.4x ↘
6:	10.0 ↙
7:	10.7x ←
8:	10.3x ↘
9:	10.8x ←
10:	10.6x ↗
<b>Series</b>	<b>104.8</b>
	<b>104.8</b>



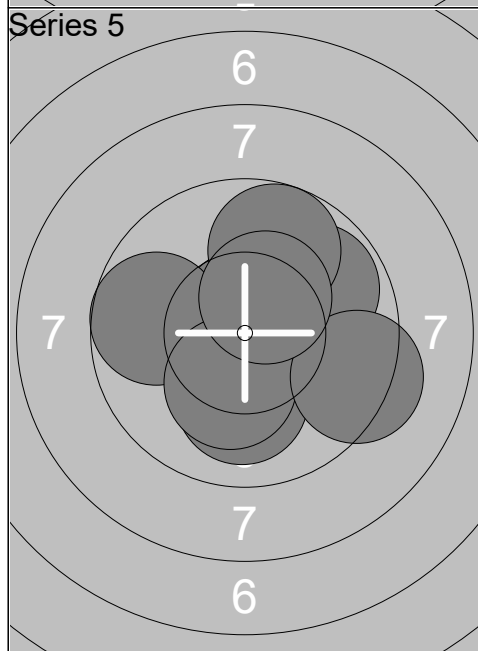
1:	10.8x ↗
2:	10.8x ←
3:	9.8 →
4:	10.0 ↖
5:	10.8x ↑
6:	9.8 ←
7:	10.3x ←
8:	10.1 ←
9:	10.5x ↘
10:	10.8x ↑
<b>Series</b>	<b>103.7</b>
	<b>208.5</b>



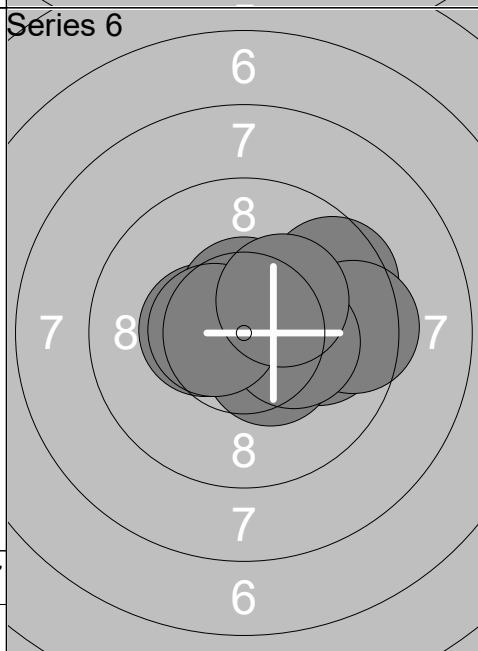
1:	10.7x ↖
2:	10.0 ↙
3:	9.7 ↗
4:	10.8x ↑
5:	10.4x ↘
6:	9.7 ↗
7:	10.6x →
8:	9.6 ↖
9:	10.6x ↓
10:	10.3x ↘
<b>Series</b>	<b>102.4</b>
	<b>310.9</b>



1:	10.0 ↘
2:	10.9x ↗
3:	10.3x ←
4:	10.2x →
5:	9.2 →
6:	10.5x ↑
7:	9.4 →
8:	10.7x →
9:	10.0 ←
10:	10.3x ↘
<b>Series</b>	<b>101.5</b>
	<b>412.4</b>

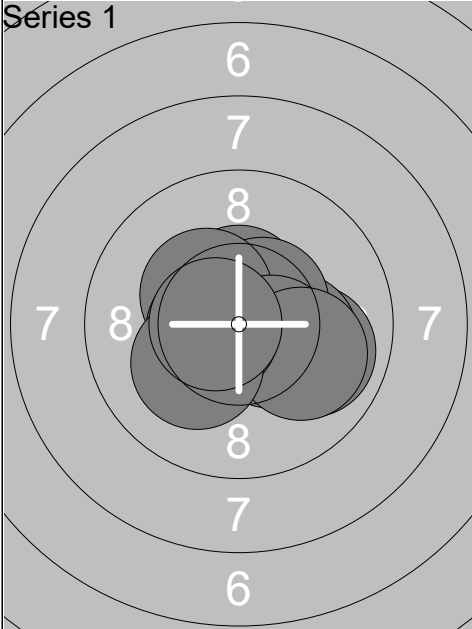
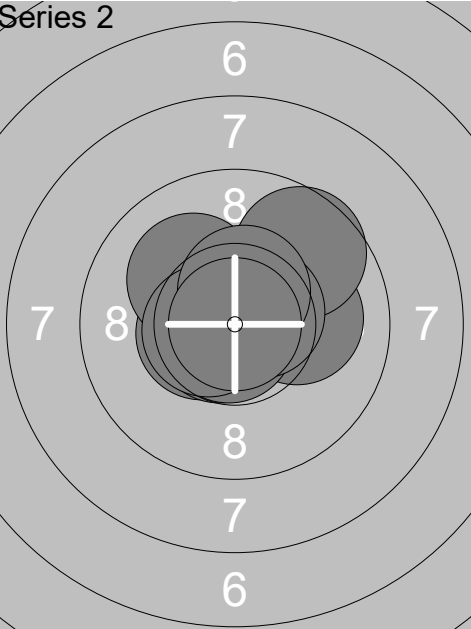
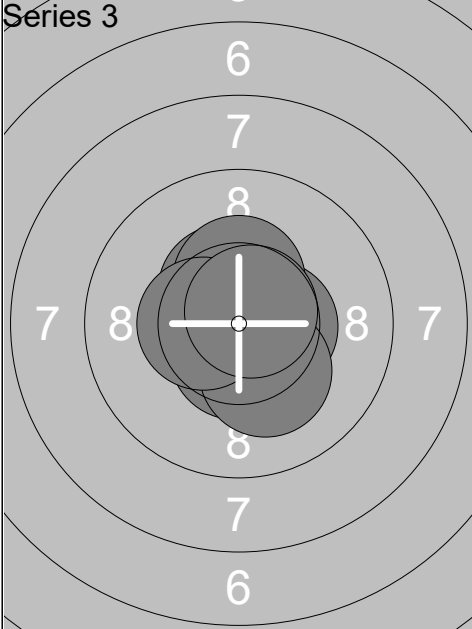
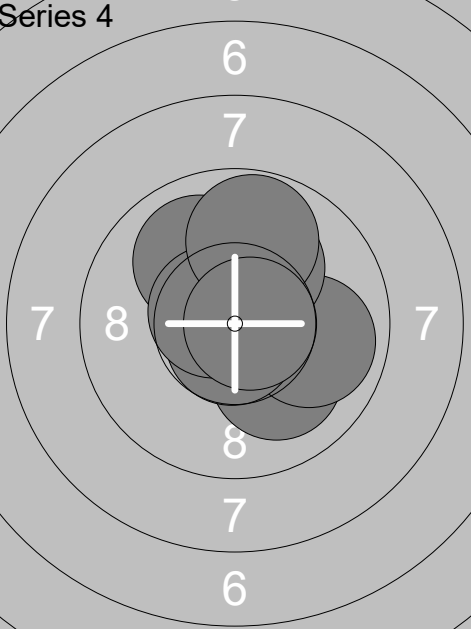
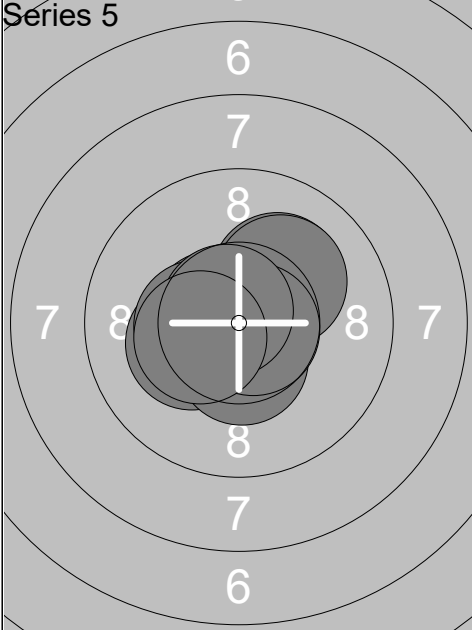
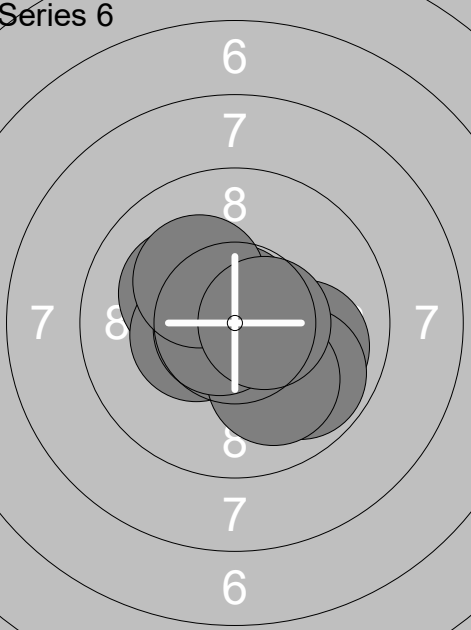


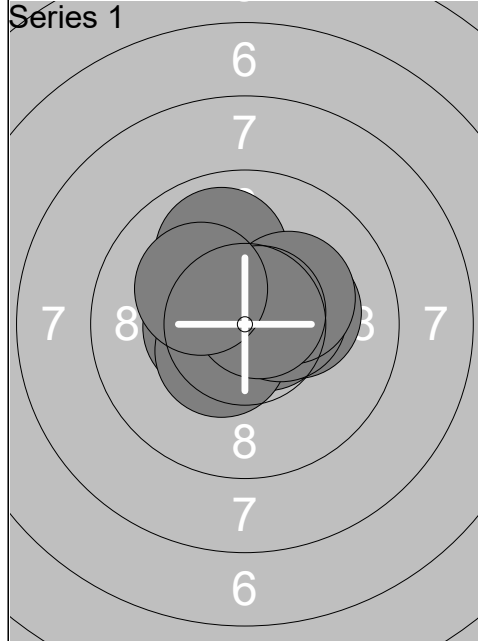
1:	10.7x ↑
2:	10.1 ↓
3:	10.9x ↑
4:	10.8x ↘
5:	9.8 ↗
6:	9.8 ↑
7:	9.7 ←
8:	10.2x ↓
9:	9.3 →
10:	10.4x ↗
<b>Series</b>	<b>101.7</b>
	<b>514.1</b>



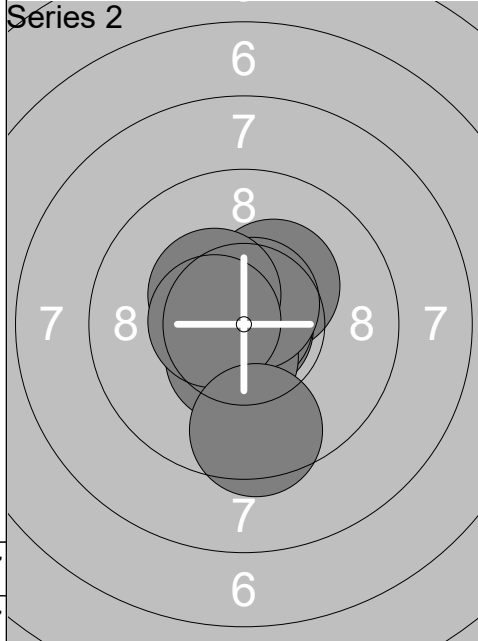
1:	9.9 →
2:	10.4x ←
3:	10.3x →
4:	9.5 ↗
5:	10.4x ↘
6:	9.4 →
7:	10.2x →
8:	10.5x ↑
9:	10.5x ←
10:	10.2x ↗
<b>Series</b>	<b>101.3</b>
	<b>615.4</b>

Relay	Lane	Clémentine Krumm		
2	24	FRA		W
1 Air Qualification		DENMARK OPEN AIR 2023 DAY3		Danmark Open Air 2023
19.02.2023				
Series 1		1: 10.8x ↘	Series 2	
		2: 10.5x ←		
		3: 10.5x ↓	1: 10.4x ↓	
		4: 10.6x ↓	2: 10.2x ←	
		5: 10.4x ↓	3: 10.3x ←	
		6: 10.4x ↗	4: 9.6 ↙	
		7: 10.9x ↘	5: 10.2x ↗	
		8: 10.1 ↓	6: 10.5x ↓	
		9: 10.5x ←	7: 10.4x ↓	
		10: 10.2x ←	8: 10.3x ↗	
			9: 10.2x ↘	
			10: 10.3x ←	
		Series 104.9	Series 102.4	
		104.9	207.3	
Series 3		Series 4		
		1: 10.9x ↗		
		2: 10.6x ↘		
		3: 10.0 ↗		
		4: 10.9x ↘		
		5: 10.4x ↓		
		6: 10.4x ↘		
		7: 10.7x ↗		
		8: 10.2x ↗		
		9: 10.3x ↓		
		10: 10.2x ↘		
		Series 104.1		
		311.4		
		Series 105.3		
		416.7		
Series 5		Series 6		
		1: 10.7x ←		
		2: 10.7x ←		
		3: 10.5x ↘		
		4: 10.5x ↓		
		5: 10.5x →		
		6: 10.8x ↘		
		7: 10.4x →		
		8: 10.5x ↓		
		9: 10.2x ←		
		10: 10.4x ↓		
		Series 104.9		
		521.6		
		Series 105.0		
		626.6		

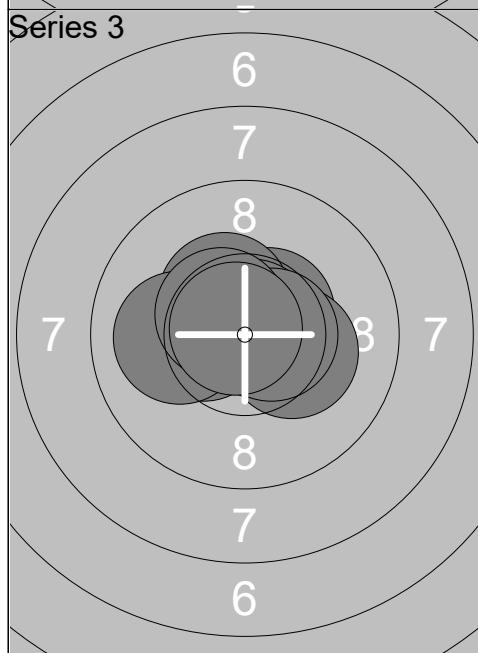
Relay	Lane	Josefine Laursen			
2	25	DEN		W	
1 Air Qualification		DENMARK OPEN AIR 2023 DAY3		Danmark Open Air 2023	
19.02.2023					
Series 1		1: 9.9 → 2: 10.5x ↑ 3: 10.2x → 4: 10.5x ↗ 5: 10.3x ↖ 6: 10.4x → 7: 10.0 → 8: 10.6x ← 9: 10.1 ↙ 10: 10.6x ←	Series 2		1: 10.5x ← 2: 10.7x ↙ 3: 10.1 → 4: 9.6 ↗ 5: 10.8x ↘ 6: 10.5x ↗ 7: 10.1 ↖ 8: 10.6x ← 9: 10.5x ↑ 10: 10.9x
	Series 103.1		Series 104.3		
	103.1		207.4		
Series 3		1: 10.9x ← 2: 10.5x ↓ 3: 10.9x → 4: 10.4x ↖ 5: 10.5x → 6: 10.9x → 7: 10.2x ↓ 8: 10.4x ↑ 9: 10.4x ← 10: 10.7x ↗	Series 4		1: 10.5x ↗ 2: 10.0 ↖ 3: 10.1 ↓ 4: 9.9 → 5: 10.7x ↑ 6: 10.7x ↓ 7: 10.1 ↗ 8: 10.6x ↖ 9: 9.8 ↑ 10: 10.7x →
	Series 105.8		Series 103.1		
	313.2		416.3		
Series 5		1: 10.7x ↘ 2: 10.1 ↗ 3: 10.2x ← 4: 10.6x ← 5: 10.4x ← 6: 10.1 ↗ 7: 10.4x ↓ 8: 10.7x → 9: 10.7x ↖ 10: 10.4x ←	Series 6		1: 10.2x ↖ 2: 10.0 → 3: 10.8x ↑ 4: 10.9x ↓ 5: 9.8 ↘ 6: 10.4x ← 7: 10.0 ↓ 8: 10.7x ← 9: 10.2x ↖ 10: 10.5x →
	Series 104.3		Series 103.5		
	520.6		624.1		



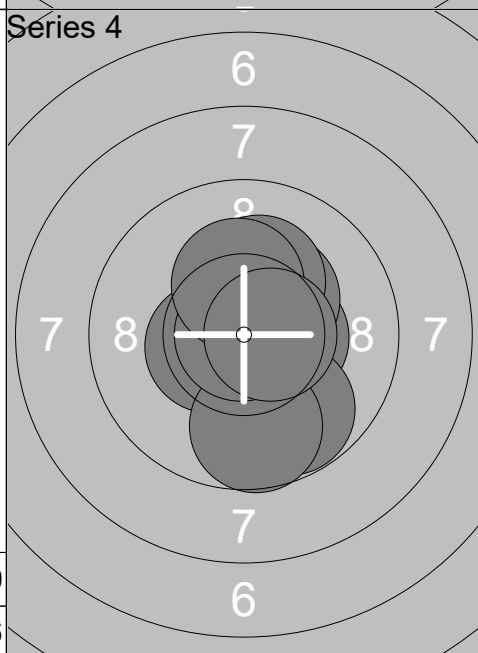
1:	10.6x	→
2:	9.9	↑
3:	10.2x	→
4:	10.6x	↗
5:	10.5x	←
6:	10.5x	↙
7:	10.4x	→
8:	10.2x	↗
9:	10.7x	↗
10:	10.1	↖
<b>Series</b>	<b>103.7</b>	
	<b>103.7</b>	



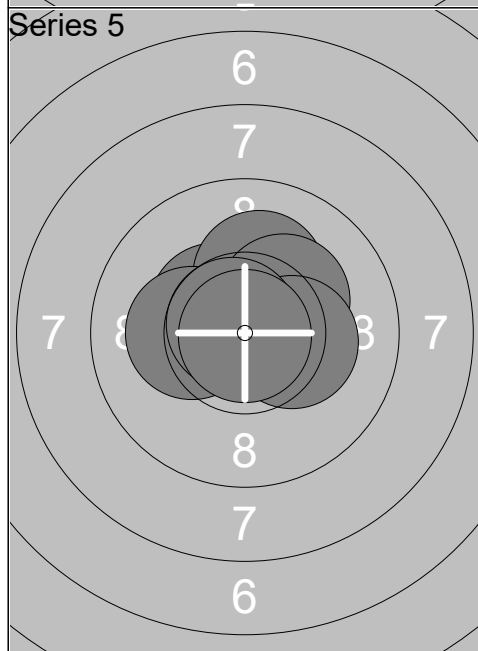
1:	10.3x	↗
2:	10.7x	↑
3:	10.9x	↘
4:	10.9x	↗
5:	10.8x	↖
6:	10.4x	↓
7:	10.6x	↑
8:	10.3x	↖
9:	10.5x	←
10:	9.5	↓
<b>Series</b>	<b>104.9</b>	
	<b>208.6</b>	



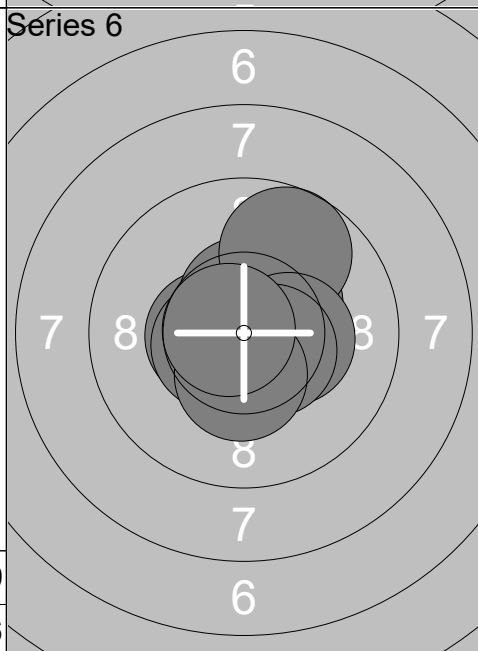
1:	10.4x	←
2:	10.5x	↗
3:	10.3x	→
4:	10.7x	→
5:	10.4x	↖
6:	10.0	←
7:	10.8x	↗
8:	10.6x	→
9:	10.5x	↖
10:	10.8x	↖
<b>Series</b>	<b>105.0</b>	
	<b>313.6</b>	



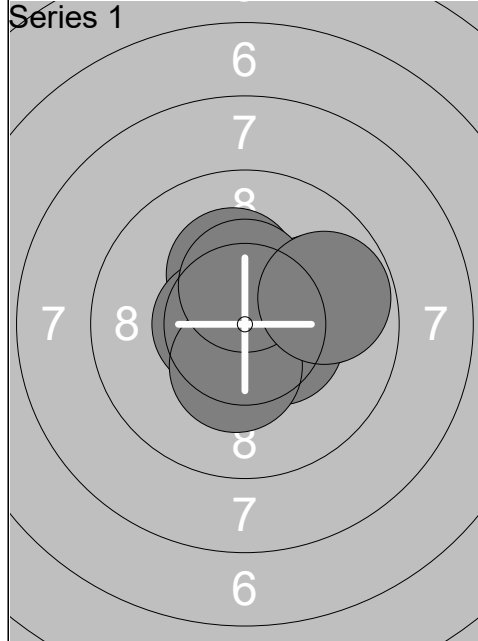
1:	10.5x	↓
2:	10.4x	←
3:	10.4x	→
4:	9.8	↓
5:	10.3x	↗
6:	10.2x	↑
7:	9.7	↓
8:	10.9x	←
9:	10.3x	↑
10:	10.6x	→
<b>Series</b>	<b>103.1</b>	
	<b>416.7</b>	



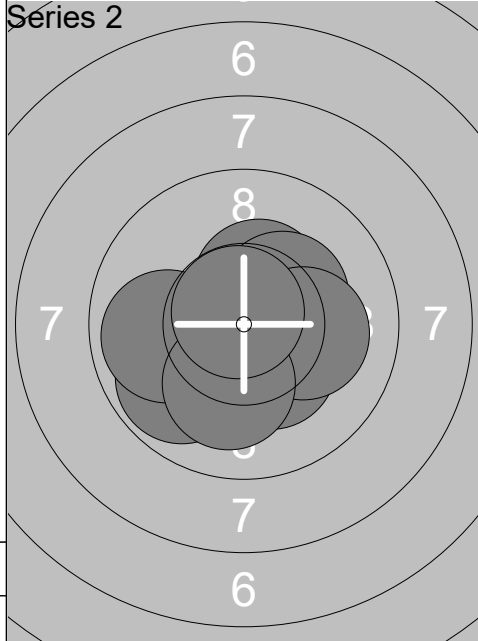
1:	10.4x	↖
2:	10.7x	↗
3:	10.5x	↗
4:	10.2x	↑
5:	10.8x	→
6:	10.2x	↗
7:	10.3x	→
8:	10.2x	←
9:	10.7x	↖
10:	10.9x	↓
<b>Series</b>	<b>104.9</b>	
	<b>521.6</b>	



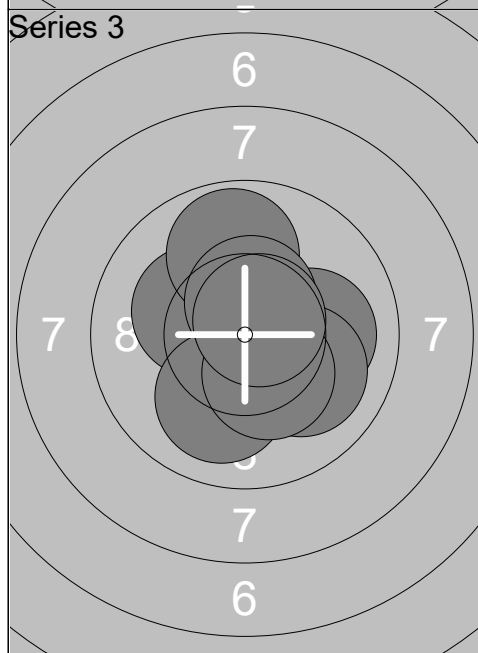
1:	10.5x	←
2:	10.7x	↙
3:	10.5x	←
4:	10.3x	↗
5:	10.5x	↑
6:	9.7	↗
7:	10.3x	→
8:	10.5x	↘
9:	10.4x	↓
10:	10.7x	←
<b>Series</b>	<b>104.1</b>	
	<b>625.7</b>	



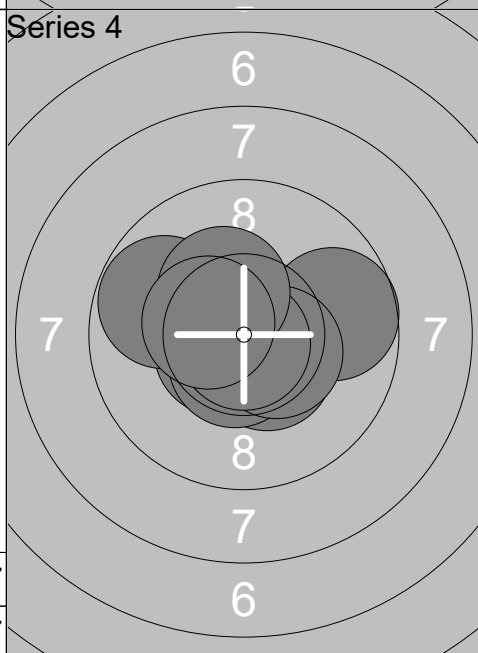
1:	10.3x →
2:	9.9 →
3:	10.5x →
4:	10.7x ↙
5:	10.2x ↑
6:	10.6x ←
7:	10.4x →
8:	10.3x ↓
9:	10.4x ↑
10:	9.8 →
<b>Series</b>	<b>103.1</b>
	<b>103.1</b>



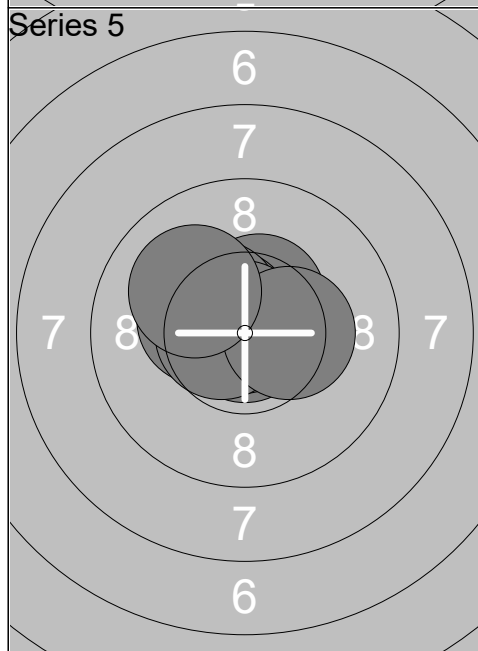
1:	10.4x ↗
2:	10.3x ↘
3:	10.7x →
4:	10.6x ↘
5:	9.8 ↙
6:	10.3x ↗
7:	9.9 ←
8:	10.1 →
9:	10.1 ↓
10:	10.7x ↖
<b>Series</b>	<b>102.9</b>
	<b>206.0</b>



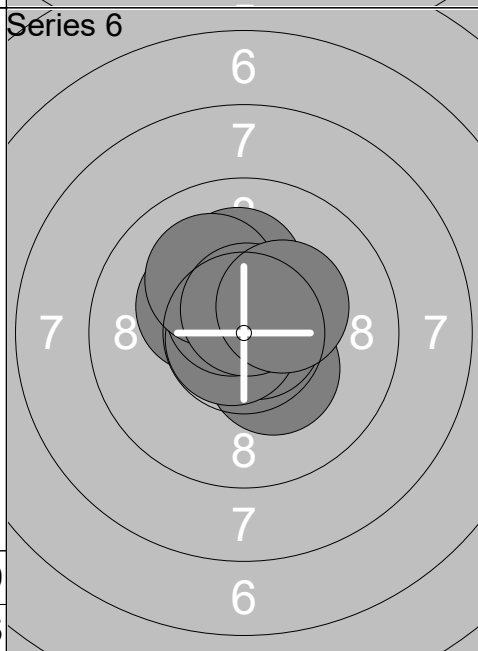
1:	10.6x ↗
2:	10.7x →
3:	10.2x ↙
4:	9.8 ↑
5:	10.0 ↓
6:	10.0 →
7:	10.0 ↘
8:	10.3x ↓
9:	10.5x ↑
10:	10.6x ↗
<b>Series</b>	<b>102.7</b>
	<b>308.7</b>



1:	10.6x ↙
2:	9.8 ←
3:	10.8x ↙
4:	10.4x ↘
5:	9.7 →
6:	10.6x ↓
7:	10.4x →
8:	10.8x ↓
9:	10.3x ↖
10:	10.4x ↙
<b>Series</b>	<b>103.8</b>
	<b>412.5</b>

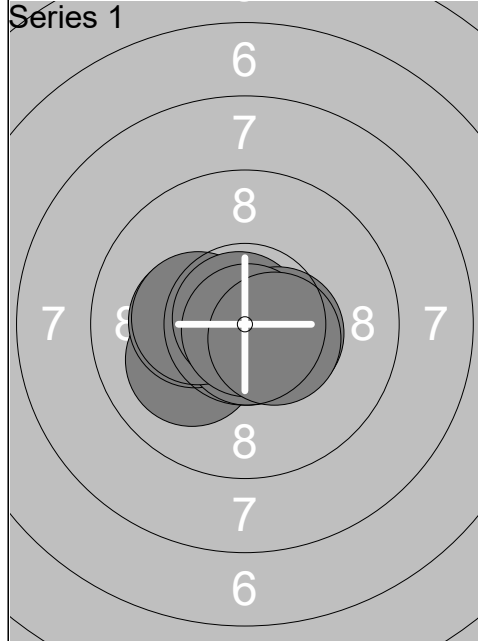


1:	10.4x ↗
2:	10.9x ↓
3:	10.3x ↙
4:	10.6x ↖
5:	10.7x ↙
6:	10.4x ↖
7:	10.8x ↖
8:	10.6x ←
9:	10.3x →
10:	10.0 ↖
<b>Series</b>	<b>105.0</b>
	<b>517.5</b>

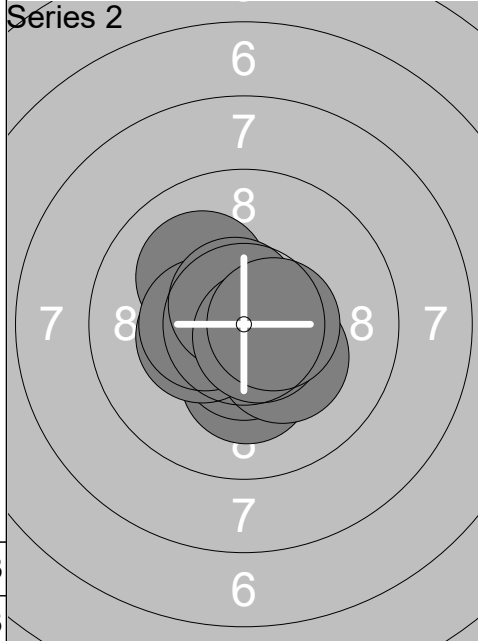


1:	10.1 ↑
2:	10.2x ↙
3:	10.3x ↘
4:	10.8x →
5:	10.6x ↑
6:	10.7x ↙
7:	10.6x ↖
8:	10.1 ↖
9:	10.6x ↑
10:	10.3x ↗
<b>Series</b>	<b>104.3</b>
	<b>621.8</b>

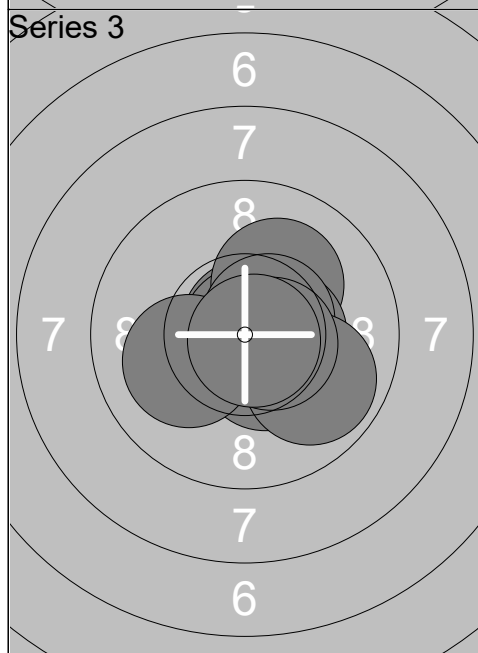




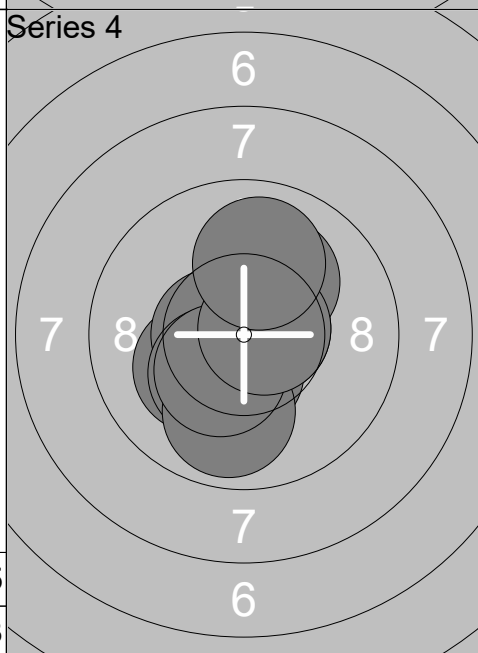
1:	10.9x ↗
2:	10.4x ←
3:	10.1 ←
4:	10.3x ←
5:	10.7x ↓
6:	10.3x ←
7:	10.8x ↗
8:	10.5x →
9:	10.8x ↓
10:	10.5x →
<b>Series</b>	<b>105.3</b>
	<b>105.3</b>



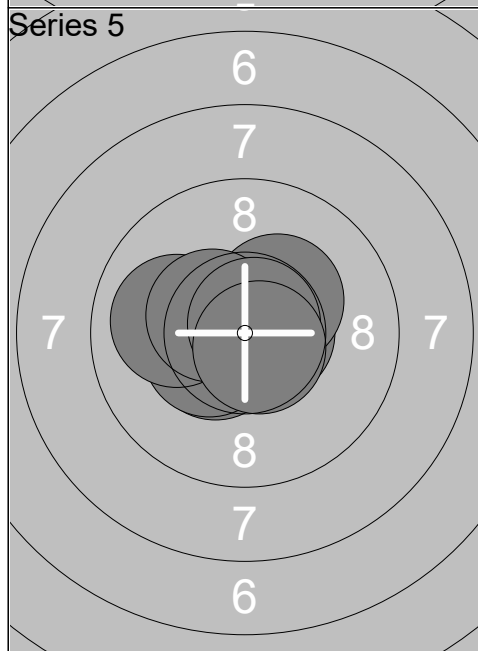
1:	10.9x ↓
2:	10.2x ↓
3:	10.5x ↓
4:	10.3x ↘
5:	10.1 ↗
6:	10.3x ←
7:	10.4x ←
8:	10.6x ↗
9:	10.7x ↘
10:	10.5x →
<b>Series</b>	<b>104.5</b>
	<b>209.8</b>



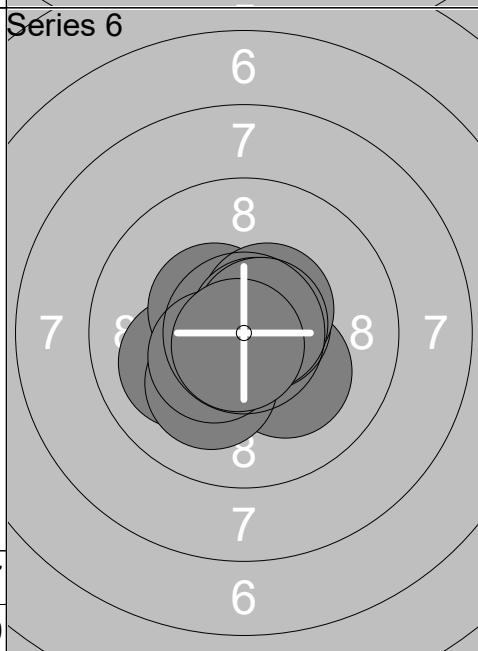
1:	10.8x ↗
2:	10.9x ↗
3:	10.1 ↗
4:	10.4x →
5:	10.5x ↗
6:	10.4x ↓
7:	9.9 ↘
8:	10.1 ←
9:	10.6x →
10:	10.8x ↘
<b>Series</b>	<b>104.5</b>
	<b>314.3</b>



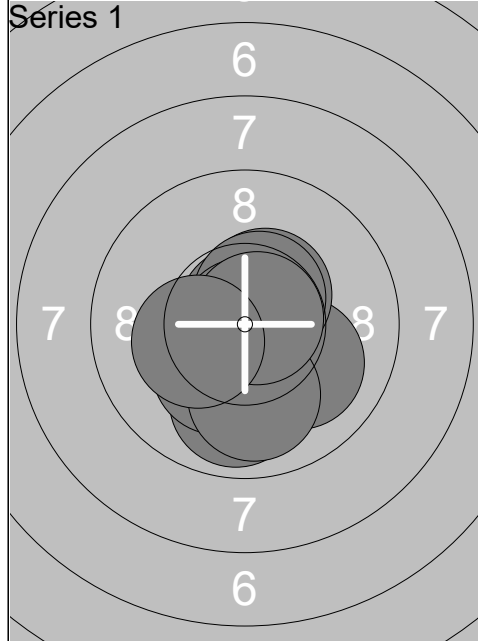
1:	10.6x →
2:	10.2x ↙
3:	10.6x ←
4:	10.3x ↙
5:	10.4x ↓
6:	9.9 ↓
7:	10.3x ↙
8:	10.1 ↗
9:	10.6x →
10:	9.9 ↗
<b>Series</b>	<b>102.9</b>
	<b>417.2</b>



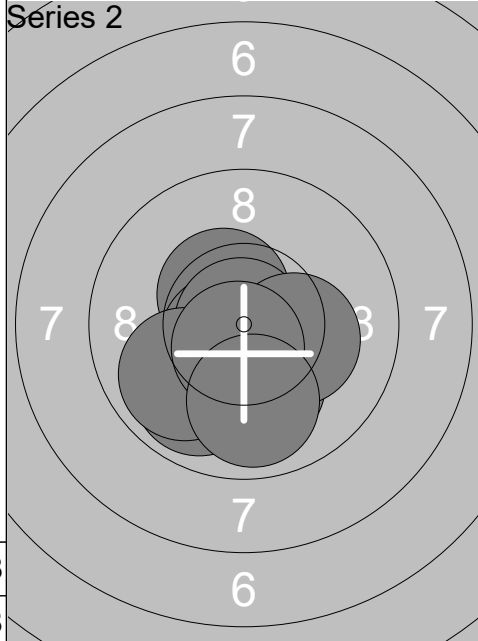
1:	10.6x →
2:	10.4x ↙
3:	10.3x ←
4:	10.3x ↗
5:	10.8x ↗
6:	10.4x ↙
7:	10.0 ←
8:	10.4x ↙
9:	10.8x ↗
10:	10.7x ↘
<b>Series</b>	<b>104.7</b>
	<b>521.9</b>



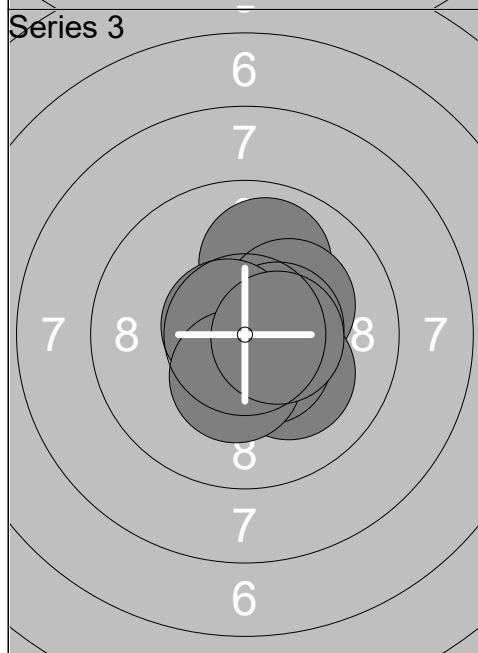
1:	10.0 ←
2:	10.2x ↘
3:	10.6x →
4:	10.4x ↗
5:	10.5x ↗
6:	10.1 ↓
7:	10.4x ↙
8:	10.7x ↗
9:	10.6x →
10:	10.8x ↓
<b>Series</b>	<b>104.3</b>
	<b>626.2</b>



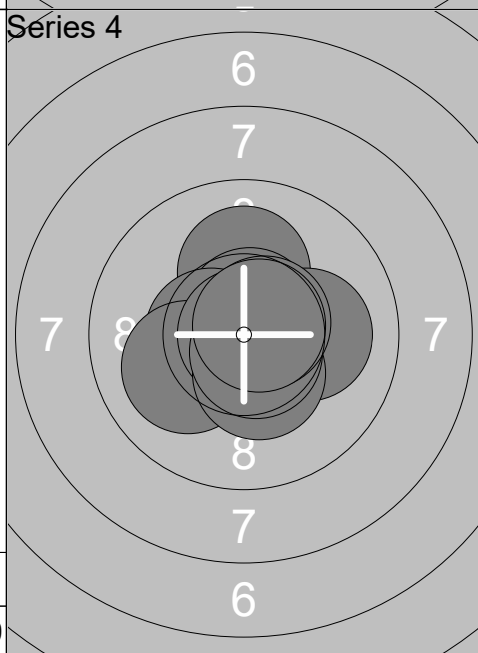
1:	9.9	↓
2:	10.8x	↑
3:	10.0	↘
4:	10.5x	↗
5:	10.5x	↗
6:	10.9x	
7:	10.2x	↘
8:	10.0	↓
9:	10.8x	↗
10:	10.2x	←
<b>Series</b>	<b>103.8</b>	
	<b>103.8</b>	



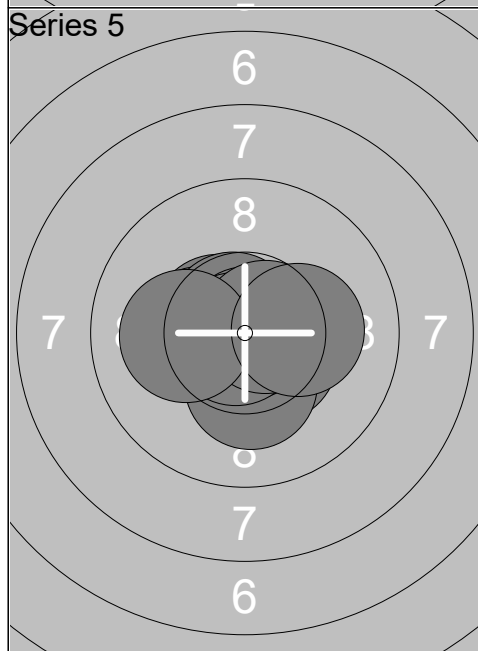
1:	10.1	↓
2:	10.5x	↓
3:	10.4x	↖
4:	9.9	↓
5:	10.6x	↙
6:	10.9x	←
7:	9.9	↙
8:	10.2x	→
9:	10.6x	↓
10:	9.9	↓
<b>Series</b>	<b>103.0</b>	
	<b>206.8</b>	



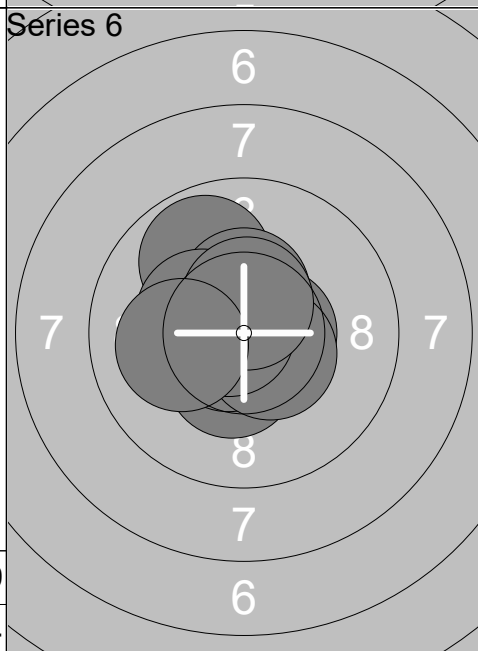
1:	9.9	↑
2:	10.8x	↓
3:	10.2x	↗
4:	10.5x	↘
5:	10.2x	↘
6:	10.5x	→
7:	10.6x	↖
8:	10.5x	↘
9:	10.4x	↓
10:	10.5x	→
<b>Series</b>	<b>104.1</b>	
	<b>310.9</b>	



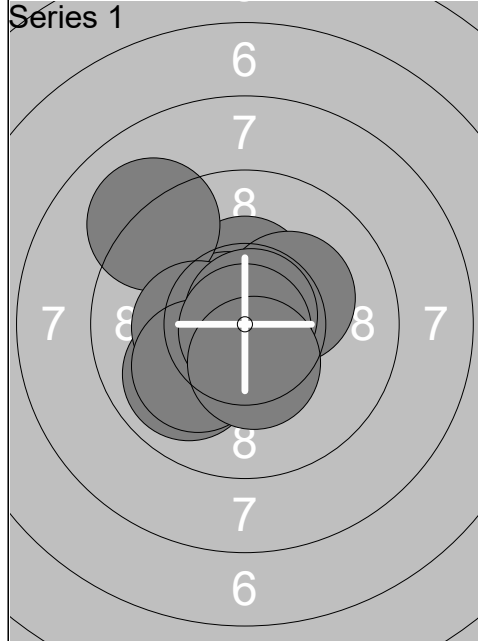
1:	10.1	↑
2:	10.7x	↑
3:	10.1	→
4:	10.5x	←
5:	10.0	↙
6:	10.9x	
7:	10.4x	↓
8:	10.6x	↘
9:	10.6x	↗
10:	10.7x	↗
<b>Series</b>	<b>104.6</b>	
	<b>415.5</b>	



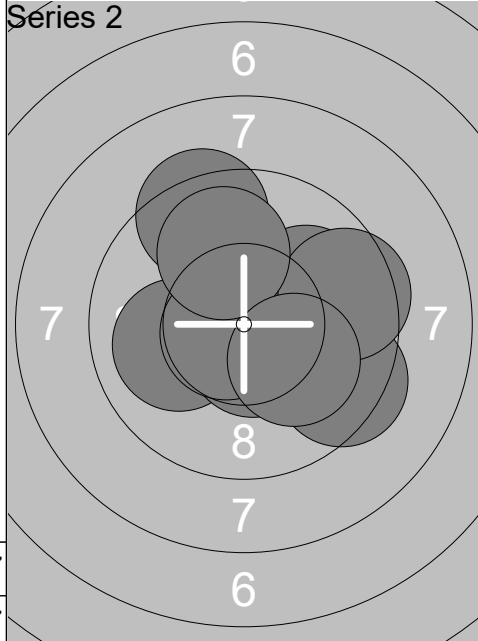
1:	10.5x	↖
2:	10.3x	←
3:	10.7x	↗
4:	10.5x	↘
5:	10.3x	↓
6:	10.9x	→
7:	10.8x	↙
8:	10.6x	→
9:	10.1	←
10:	10.2x	→
<b>Series</b>	<b>104.9</b>	
	<b>520.4</b>	



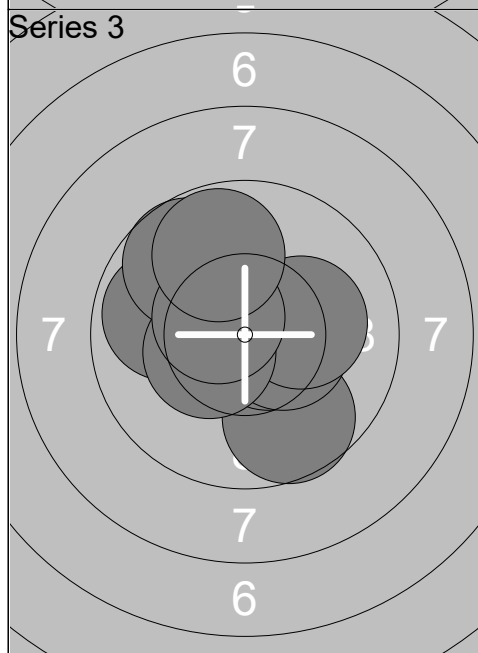
1:	9.8	↖
2:	10.4x	↑
3:	10.4x	↓
4:	10.6x	→
5:	10.7x	↙
6:	10.5x	↘
7:	10.3x	←
8:	10.7x	←
9:	10.5x	↑
10:	10.1	←
<b>Series</b>	<b>104.0</b>	
	<b>624.4</b>	



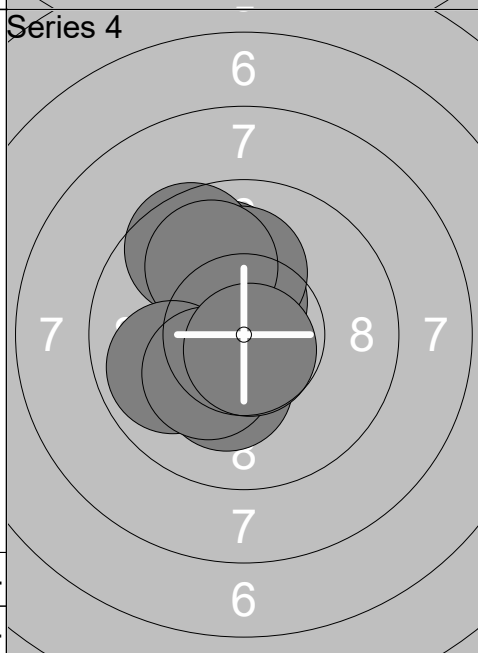
1:	10.4x ↑
2:	9.9 ↙
3:	10.7x ↙
4:	9.1 ↖
5:	10.2x ↗
6:	10.3x ↙
7:	10.8x ↗
8:	10.1 ↙
9:	10.8x ↓
10:	10.4x ↓
<b>Series</b>	<b>102.7</b>
	<b>102.7</b>



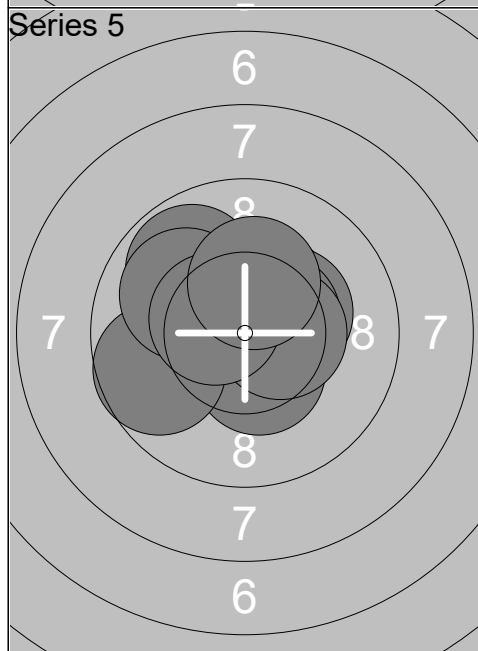
1:	9.4 ↘
2:	9.3 ↑
3:	10.0 ←
4:	10.0 ↗
5:	10.6x ↓
6:	10.8x ↑
7:	10.7x ↙
8:	9.5 →
9:	9.9 ↑
10:	10.1 ↘
<b>Series</b>	<b>100.3</b>
	<b>203.0</b>



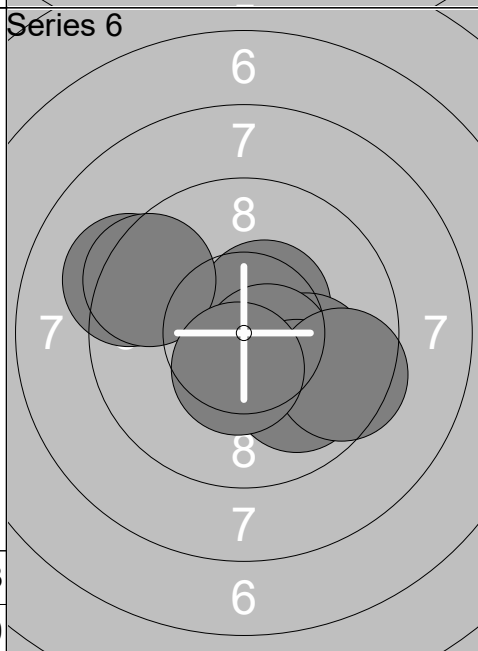
1:	10.5x ↓
2:	9.6 ↓
3:	10.6x →
4:	10.4x →
5:	9.8 ←
6:	10.1 →
7:	10.4x ↙
8:	9.7 ↗
9:	10.5x ↙
10:	9.8 ↑
<b>Series</b>	<b>101.4</b>
	<b>304.4</b>



1:	10.5x ↑
2:	10.2x ↗
3:	10.0 ↑
4:	9.6 ↖
5:	10.1 ↑
6:	9.9 ↗
7:	10.2x ↓
8:	9.9 ←
9:	10.2x ↙
10:	10.7x ↓
<b>Series</b>	<b>101.3</b>
	<b>405.7</b>



1:	10.4x ↓
2:	10.4x ↗
3:	10.3x ↗
4:	9.8 ↖
5:	10.5x ↗
6:	10.4x →
7:	9.7 ←
8:	10.0 ↖
9:	10.5x ↙
10:	10.3x ↑
<b>Series</b>	<b>102.3</b>
	<b>508.0</b>



1:	10.2x ↘
2:	10.3x ↘
3:	10.5x ↗
4:	9.2 ←
5:	10.0 →
6:	10.5x ↘
7:	9.4 ↖
8:	9.9 ↘
9:	9.5 →
10:	10.4x ↓
<b>Series</b>	<b>99.9</b>
	<b>607.9</b>