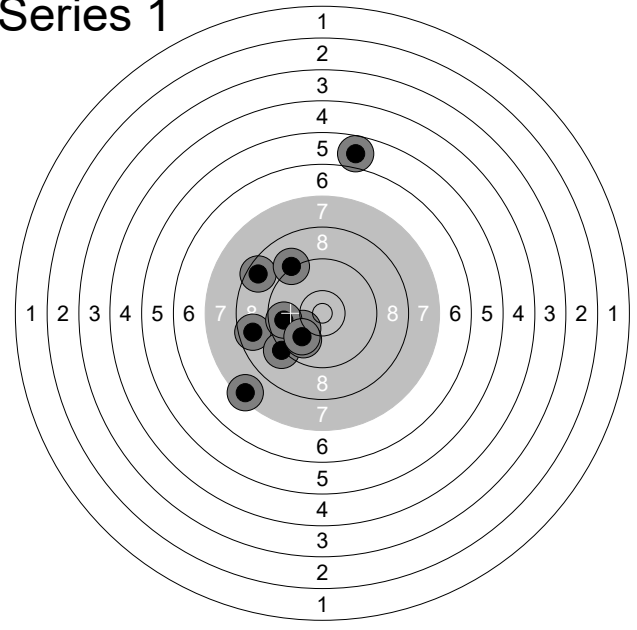
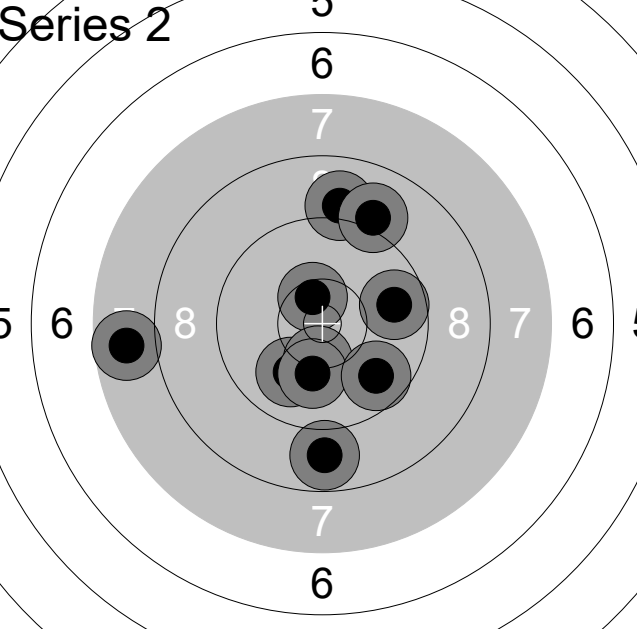
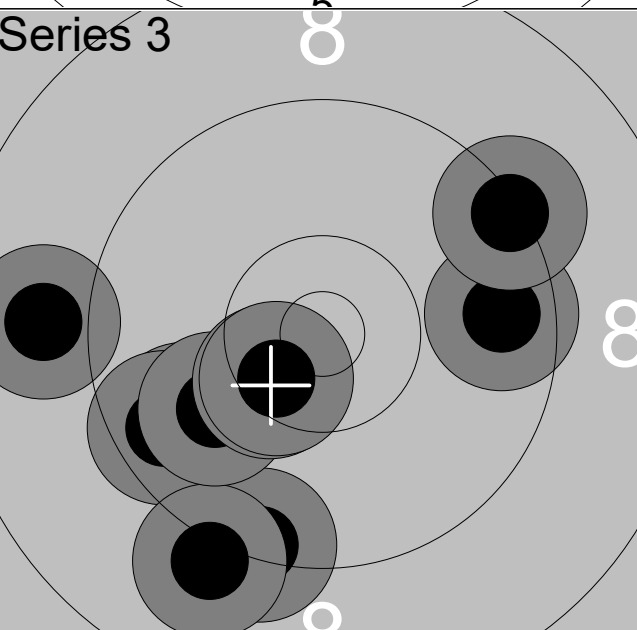


16.02.2023	DENMARK OPEN AIR 2023	Danmark Open Air 2023
------------	-----------------------	-----------------------

<b>Series 1</b> 	<table style="width:100%; border-collapse: collapse;"> <tr><td style="width:10%;">1:</td><td style="width:20%;">8.7</td><td style="width:10%; text-align: right;">←</td></tr> <tr><td>2:</td><td>10.2</td><td style="text-align: right;">↙</td></tr> <tr><td>3:</td><td>5.8</td><td style="text-align: right;">↑</td></tr> <tr><td>4:</td><td>9.2</td><td style="text-align: right;">↙</td></tr> <tr><td>5:</td><td>8.6</td><td style="text-align: right;">↖</td></tr> <tr><td>6:</td><td>9.9</td><td style="text-align: right;">↘</td></tr> <tr><td>7:</td><td>9.7</td><td style="text-align: right;">←</td></tr> <tr><td>8:</td><td>10.0</td><td style="text-align: right;">↘</td></tr> <tr><td>9:</td><td>9.2</td><td style="text-align: right;">↗</td></tr> <tr><td>10:</td><td>7.4</td><td style="text-align: right;">↘</td></tr> <tr><td colspan="2"><b>Series</b></td><td style="text-align: right;"><b>84 ( 0x)</b></td></tr> <tr><td colspan="2"></td><td style="text-align: right;"><b>84 ( 0x)</b></td></tr> </table>	1:	8.7	←	2:	10.2	↙	3:	5.8	↑	4:	9.2	↙	5:	8.6	↖	6:	9.9	↘	7:	9.7	←	8:	10.0	↘	9:	9.2	↗	10:	7.4	↘	<b>Series</b>		<b>84 ( 0x)</b>			<b>84 ( 0x)</b>
1:	8.7	←																																			
2:	10.2	↙																																			
3:	5.8	↑																																			
4:	9.2	↙																																			
5:	8.6	↖																																			
6:	9.9	↘																																			
7:	9.7	←																																			
8:	10.0	↘																																			
9:	9.2	↗																																			
10:	7.4	↘																																			
<b>Series</b>		<b>84 ( 0x)</b>																																			
		<b>84 ( 0x)</b>																																			
<b>Series 2</b> 	<table style="width:100%; border-collapse: collapse;"> <tr><td style="width:10%;">1:</td><td style="width:20%;">10.0</td><td style="width:10%; text-align: right;">↘</td></tr> <tr><td>2:</td><td>7.7</td><td style="text-align: right;">←</td></tr> <tr><td>3:</td><td>9.0</td><td style="text-align: right;">↑</td></tr> <tr><td>4:</td><td>10.5x</td><td style="text-align: right;">↗</td></tr> <tr><td>5:</td><td>10.3</td><td style="text-align: right;">↘</td></tr> <tr><td>6:</td><td>9.0</td><td style="text-align: right;">↗</td></tr> <tr><td>7:</td><td>8.8</td><td style="text-align: right;">↓</td></tr> <tr><td>8:</td><td>10.1</td><td style="text-align: right;">↘</td></tr> <tr><td>9:</td><td>9.7</td><td style="text-align: right;">↘</td></tr> <tr><td>10:</td><td>9.7</td><td style="text-align: right;">→</td></tr> <tr><td colspan="2"><b>Series</b></td><td style="text-align: right;"><b>91 ( 1x)</b></td></tr> <tr><td colspan="2"></td><td style="text-align: right;"><b>175 ( 1x)</b></td></tr> </table>	1:	10.0	↘	2:	7.7	←	3:	9.0	↑	4:	10.5x	↗	5:	10.3	↘	6:	9.0	↗	7:	8.8	↓	8:	10.1	↘	9:	9.7	↘	10:	9.7	→	<b>Series</b>		<b>91 ( 1x)</b>			<b>175 ( 1x)</b>
1:	10.0	↘																																			
2:	7.7	←																																			
3:	9.0	↑																																			
4:	10.5x	↗																																			
5:	10.3	↘																																			
6:	9.0	↗																																			
7:	8.8	↓																																			
8:	10.1	↘																																			
9:	9.7	↘																																			
10:	9.7	→																																			
<b>Series</b>		<b>91 ( 1x)</b>																																			
		<b>175 ( 1x)</b>																																			
<b>Series 3</b> 	<table style="width:100%; border-collapse: collapse;"> <tr><td style="width:10%;">1:</td><td style="width:20%;">9.3</td><td style="width:10%; text-align: right;">↘</td></tr> <tr><td>2:</td><td>9.7</td><td style="text-align: right;">↙</td></tr> <tr><td>3:</td><td>9.6</td><td style="text-align: right;">→</td></tr> <tr><td>4:</td><td>9.6</td><td style="text-align: right;">↙</td></tr> <tr><td>5:</td><td>9.1</td><td style="text-align: right;">↘</td></tr> <tr><td>6:</td><td>8.9</td><td style="text-align: right;">←</td></tr> <tr><td>7:</td><td>10.0</td><td style="text-align: right;">↙</td></tr> <tr><td>8:</td><td>10.4x</td><td style="text-align: right;">↙</td></tr> <tr><td>9:</td><td>9.3</td><td style="text-align: right;">↗</td></tr> <tr><td>10:</td><td>10.5x</td><td style="text-align: right;">↘</td></tr> <tr><td colspan="2"><b>Series</b></td><td style="text-align: right;"><b>92 ( 2x)</b></td></tr> <tr><td colspan="2"></td><td style="text-align: right;"><b>267 ( 3x)</b></td></tr> </table>	1:	9.3	↘	2:	9.7	↙	3:	9.6	→	4:	9.6	↙	5:	9.1	↘	6:	8.9	←	7:	10.0	↙	8:	10.4x	↙	9:	9.3	↗	10:	10.5x	↘	<b>Series</b>		<b>92 ( 2x)</b>			<b>267 ( 3x)</b>
1:	9.3	↘																																			
2:	9.7	↙																																			
3:	9.6	→																																			
4:	9.6	↙																																			
5:	9.1	↘																																			
6:	8.9	←																																			
7:	10.0	↙																																			
8:	10.4x	↙																																			
9:	9.3	↗																																			
10:	10.5x	↘																																			
<b>Series</b>		<b>92 ( 2x)</b>																																			
		<b>267 ( 3x)</b>																																			

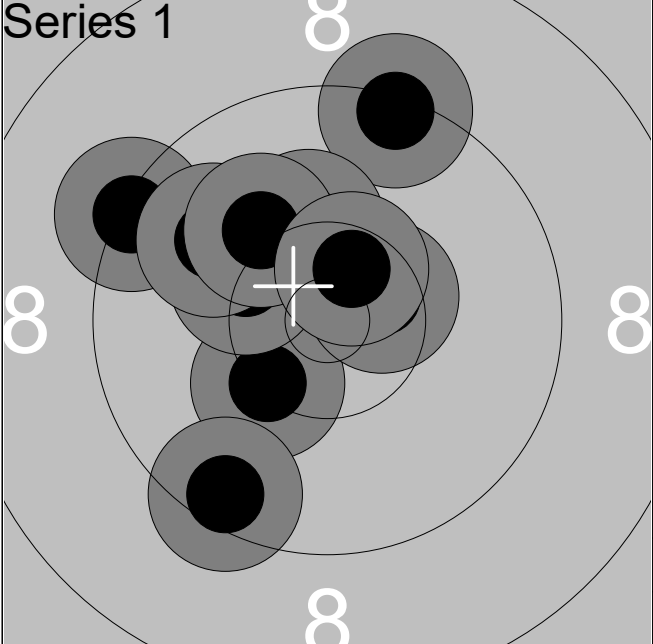
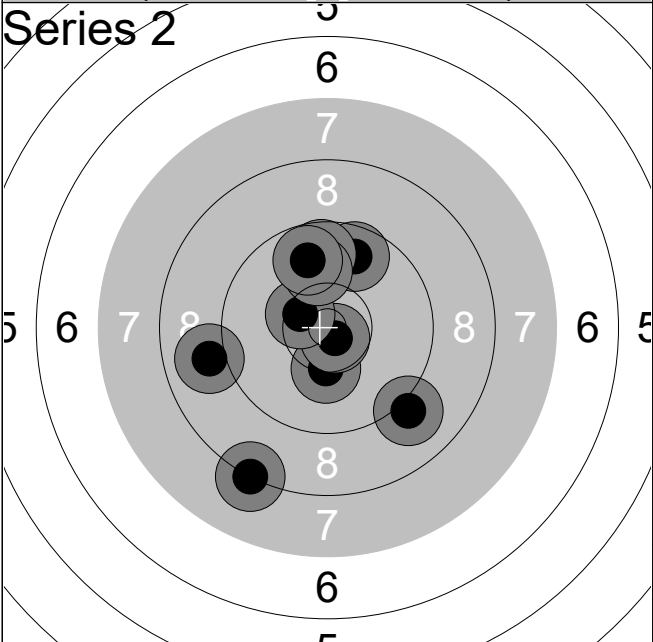
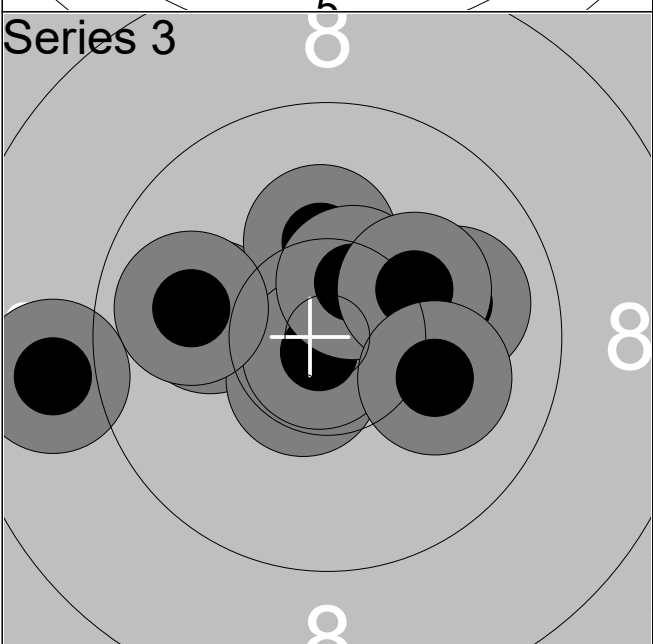
Relay	Lane	Buster Antonsen		
1	2	DEN 1	Mp	Pistol
16.02.2023	DENMARK OPEN AIR 2023	Danmark Open Air 2023		
<b>Series 1</b> 	1:	9.9	↓	
	2:	8.1	↗	
	3:	9.5	→	
	4:	10.3	↙	
	5:	8.9	↖	
	6:	9.8	↙	
	7:	10.0	↗	
	8:	9.4	↖	
	9:	9.4	↗	
	10:	7.6	↖	
	<b>Series</b>			<b>88 ( 0x)</b>
			<b>88 ( 0x)</b>	
<b>Series 2</b> 	1:	10.4x	↖	
	2:	10.6x	↖	
	3:	9.1	↖	
	4:	10.4x	↗	
	5:	10.1	↑	
	6:	10.3	↗	
	7:	10.3	↗	
	8:	9.7	↗	
	9:	9.3	→	
	10:	10.1	↖	
	<b>Series</b>			<b>97 ( 3x)</b>
			<b>185 ( 3x)</b>	
<b>Series 3</b> 	1:	9.6	↗	
	2:	7.1	↘	
	3:	8.8	→	
	4:	9.9	↖	
	5:	10.5x	↖	
	6:	10.1	↗	
	7:	10.0	↘	
	8:	10.4x	↗	
	9:	9.6	→	
	10:	9.3	↘	
	<b>Series</b>			<b>91 ( 2x)</b>
			<b>276 ( 5x)</b>	

Relay <b>1</b>	Lane <b>3</b>	<b>Clara Nielsen</b>		
1 Mixed Team		DEN 5	Wp	Pistol
16.02.2023		DENMARK OPEN AIR 2023	Danmark Open Air 2023	
<b>Series 1</b> 	1:	9.6	↓	
	2:	8.0	→	
	3:	9.3	→	
	4:	10.0	↙	
	5:	9.7	↗	
	6:	10.2	↑	
	7:	10.0	↖	
	8:	5.7	↗	
	9:	10.2	↑	
	10:	9.7	←	
	Series			89 ( 0x)
			89 ( 0x)	
<b>Series 2</b> 	1:	9.6	←	
	2:	10.0	↗	
	3:	8.8	↓	
	4:	9.9	↑	
	5:	8.3	→	
	6:	10.3	↗	
	7:	9.3	↗	
	8:	9.7	↑	
	9:	7.4	←	
	10:	6.5	↖	
	Series			85 ( 0x)
			174 ( 0x)	
<b>Series 3</b> 	1:	9.3	↙	
	2:	8.8	↗	
	3:	9.6	↓	
	4:	10.5x	↖	
	5:	8.2	↗	
	6:	10.5x	↙	
	7:	10.1	↑	
	8:	5.4	↗	
	9:	8.7	←	
	10:	7.3	↙	
	Series			84 ( 2x)
			258 ( 2x)	

16.02.2023	DENMARK OPEN AIR 2023	Danmark Open Air 2023
------------	-----------------------	-----------------------

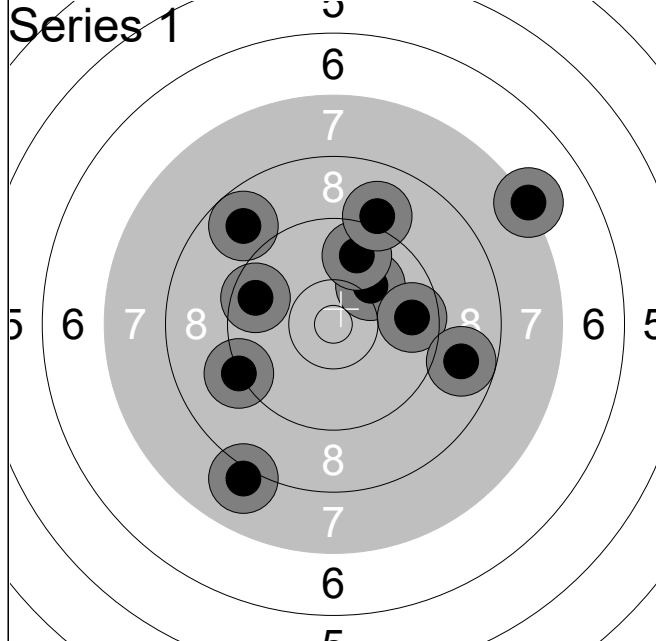
<p><b>Series 1</b></p>	<table style="width:100%; border-collapse: collapse;"> <tr><td style="width:10%;">1:</td><td style="width:70%;">10.5x</td><td style="width:20%; text-align: right;">↗</td></tr> <tr><td>2:</td><td>9.4</td><td style="text-align: right;">↓</td></tr> <tr><td>3:</td><td>8.1</td><td style="text-align: right;">↙</td></tr> <tr><td>4:</td><td>10.9x</td><td style="text-align: right;">↙</td></tr> <tr><td>5:</td><td>9.4</td><td style="text-align: right;">↗</td></tr> <tr><td>6:</td><td>9.3</td><td style="text-align: right;">↙</td></tr> <tr><td>7:</td><td>9.7</td><td style="text-align: right;">↙</td></tr> <tr><td>8:</td><td>10.1</td><td style="text-align: right;">↗</td></tr> <tr><td>9:</td><td>9.8</td><td style="text-align: right;">↑</td></tr> <tr><td>10:</td><td>8.6</td><td style="text-align: right;">↙</td></tr> <tr><td colspan="2"><b>Series</b></td><td style="text-align: right;"><b>91 ( 2x)</b></td></tr> <tr><td colspan="2"></td><td style="text-align: right;"><b>91 ( 2x)</b></td></tr> </table>	1:	10.5x	↗	2:	9.4	↓	3:	8.1	↙	4:	10.9x	↙	5:	9.4	↗	6:	9.3	↙	7:	9.7	↙	8:	10.1	↗	9:	9.8	↑	10:	8.6	↙	<b>Series</b>		<b>91 ( 2x)</b>			<b>91 ( 2x)</b>
1:	10.5x	↗																																			
2:	9.4	↓																																			
3:	8.1	↙																																			
4:	10.9x	↙																																			
5:	9.4	↗																																			
6:	9.3	↙																																			
7:	9.7	↙																																			
8:	10.1	↗																																			
9:	9.8	↑																																			
10:	8.6	↙																																			
<b>Series</b>		<b>91 ( 2x)</b>																																			
		<b>91 ( 2x)</b>																																			
<p><b>Series 2</b></p>	<table style="width:100%; border-collapse: collapse;"> <tr><td style="width:10%;">1:</td><td style="width:70%;">8.4</td><td style="width:20%; text-align: right;">↙</td></tr> <tr><td>2:</td><td>9.8</td><td style="text-align: right;">↙</td></tr> <tr><td>3:</td><td>7.6</td><td style="text-align: right;">↘</td></tr> <tr><td>4:</td><td>9.4</td><td style="text-align: right;">↙</td></tr> <tr><td>5:</td><td>10.1</td><td style="text-align: right;">↙</td></tr> <tr><td>6:</td><td>7.3</td><td style="text-align: right;">↓</td></tr> <tr><td>7:</td><td>7.9</td><td style="text-align: right;">↙</td></tr> <tr><td>8:</td><td>8.7</td><td style="text-align: right;">↙</td></tr> <tr><td>9:</td><td>9.4</td><td style="text-align: right;">↗</td></tr> <tr><td>10:</td><td>8.0</td><td style="text-align: right;">↘</td></tr> <tr><td colspan="2"><b>Series</b></td><td style="text-align: right;"><b>82 ( 0x)</b></td></tr> <tr><td colspan="2"></td><td style="text-align: right;"><b>173 ( 2x)</b></td></tr> </table>	1:	8.4	↙	2:	9.8	↙	3:	7.6	↘	4:	9.4	↙	5:	10.1	↙	6:	7.3	↓	7:	7.9	↙	8:	8.7	↙	9:	9.4	↗	10:	8.0	↘	<b>Series</b>		<b>82 ( 0x)</b>			<b>173 ( 2x)</b>
1:	8.4	↙																																			
2:	9.8	↙																																			
3:	7.6	↘																																			
4:	9.4	↙																																			
5:	10.1	↙																																			
6:	7.3	↓																																			
7:	7.9	↙																																			
8:	8.7	↙																																			
9:	9.4	↗																																			
10:	8.0	↘																																			
<b>Series</b>		<b>82 ( 0x)</b>																																			
		<b>173 ( 2x)</b>																																			
<p><b>Series 3</b></p>	<table style="width:100%; border-collapse: collapse;"> <tr><td style="width:10%;">1:</td><td style="width:70%;">10.5x</td><td style="width:20%; text-align: right;">↗</td></tr> <tr><td>2:</td><td>8.7</td><td style="text-align: right;">↗</td></tr> <tr><td>3:</td><td>8.6</td><td style="text-align: right;">↓</td></tr> <tr><td>4:</td><td>9.9</td><td style="text-align: right;">↙</td></tr> <tr><td>5:</td><td>8.6</td><td style="text-align: right;">↗</td></tr> <tr><td>6:</td><td>10.3</td><td style="text-align: right;">↙</td></tr> <tr><td>7:</td><td>9.2</td><td style="text-align: right;">↙</td></tr> <tr><td>8:</td><td>8.1</td><td style="text-align: right;">↓</td></tr> <tr><td>9:</td><td>10.0</td><td style="text-align: right;">↓</td></tr> <tr><td>10:</td><td>10.4x</td><td style="text-align: right;">↓</td></tr> <tr><td colspan="2"><b>Series</b></td><td style="text-align: right;"><b>90 ( 2x)</b></td></tr> <tr><td colspan="2"></td><td style="text-align: right;"><b>263 ( 4x)</b></td></tr> </table>	1:	10.5x	↗	2:	8.7	↗	3:	8.6	↓	4:	9.9	↙	5:	8.6	↗	6:	10.3	↙	7:	9.2	↙	8:	8.1	↓	9:	10.0	↓	10:	10.4x	↓	<b>Series</b>		<b>90 ( 2x)</b>			<b>263 ( 4x)</b>
1:	10.5x	↗																																			
2:	8.7	↗																																			
3:	8.6	↓																																			
4:	9.9	↙																																			
5:	8.6	↗																																			
6:	10.3	↙																																			
7:	9.2	↙																																			
8:	8.1	↓																																			
9:	10.0	↓																																			
10:	10.4x	↓																																			
<b>Series</b>		<b>90 ( 2x)</b>																																			
		<b>263 ( 4x)</b>																																			

16.02.2023	DENMARK OPEN AIR 2023	Danmark Open Air 2023	
<b>Series 1</b> 	1:	9.3	↑
	2:	10.3	↙
	3:	10.5x	→
	4:	10.3	↖
	5:	10.2	↑
	6:	9.3	↖
	7:	9.9	↖
	8:	10.1	↗
	9:	9.5	↙
	10:	10.5x	↑
Series		96 ( 2x)	
		96 ( 2x)	
<b>Series 2</b> 	1:	10.3	↓
	2:	10.7x	↘
	3:	9.7	↑
	4:	10.4x	↖
	5:	8.2	↙
	6:	9.1	↘
	7:	9.8	↑
	8:	9.0	←
	9:	10.0	↑
	10:	9.8	↑
Series		93 ( 2x)	
		189 ( 4x)	
<b>Series 3</b> 	1:	10.1	←
	2:	10.2	↑
	3:	10.6x	↙
	4:	10.8x	↙
	5:	10.5x	↑
	6:	9.9	←
	7:	10.0	→
	8:	10.2	↗
	9:	8.9	←
	10:	10.1	→
Series		97 ( 3x)	
		286 ( 7x)	

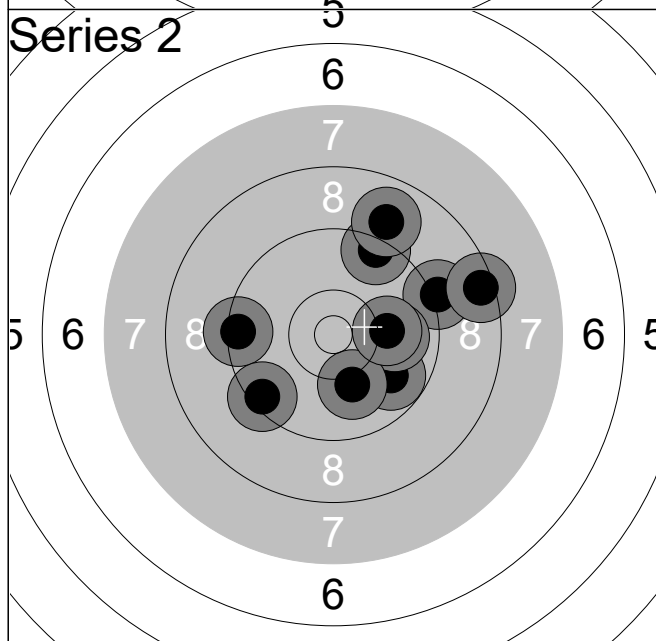
16.02.2023	DENMARK OPEN AIR 2023	Danmark Open Air 2023
------------	-----------------------	-----------------------

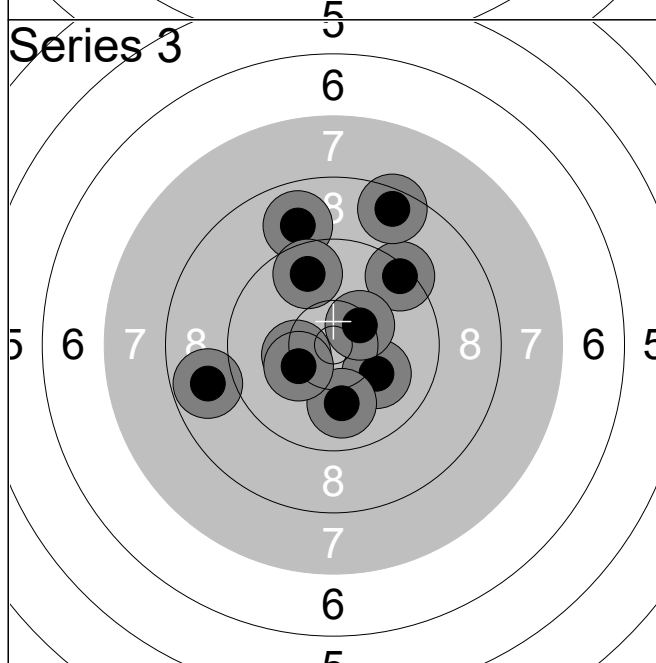
<p><b>Series 1</b></p>	<table style="width:100%; border-collapse: collapse;"> <tr><td style="width:10%;">1:</td><td style="width:15%;">10.3</td><td style="width:10%; text-align: center;">↗</td></tr> <tr><td>2:</td><td>10.1</td><td style="text-align: center;">→</td></tr> <tr><td>3:</td><td>9.9</td><td style="text-align: center;">↓</td></tr> <tr><td>4:</td><td>8.6</td><td style="text-align: center;">↑</td></tr> <tr><td>5:</td><td>8.0</td><td style="text-align: center;">→</td></tr> <tr><td>6:</td><td>9.9</td><td style="text-align: center;">↑</td></tr> <tr><td>7:</td><td>10.4x</td><td style="text-align: center;">↗</td></tr> <tr><td>8:</td><td>10.6x</td><td style="text-align: center;">←</td></tr> <tr><td>9:</td><td>10.1</td><td style="text-align: center;">↙</td></tr> <tr><td>10:</td><td>10.1</td><td style="text-align: center;">↑</td></tr> <tr><td colspan="2"><b>Series</b></td><td style="text-align: right;"><b>94 ( 2x)</b></td></tr> <tr><td colspan="2"></td><td style="text-align: right;"><b>94 ( 2x)</b></td></tr> </table>	1:	10.3	↗	2:	10.1	→	3:	9.9	↓	4:	8.6	↑	5:	8.0	→	6:	9.9	↑	7:	10.4x	↗	8:	10.6x	←	9:	10.1	↙	10:	10.1	↑	<b>Series</b>		<b>94 ( 2x)</b>			<b>94 ( 2x)</b>
1:	10.3	↗																																			
2:	10.1	→																																			
3:	9.9	↓																																			
4:	8.6	↑																																			
5:	8.0	→																																			
6:	9.9	↑																																			
7:	10.4x	↗																																			
8:	10.6x	←																																			
9:	10.1	↙																																			
10:	10.1	↑																																			
<b>Series</b>		<b>94 ( 2x)</b>																																			
		<b>94 ( 2x)</b>																																			
<p><b>Series 2</b></p>	<table style="width:100%; border-collapse: collapse;"> <tr><td style="width:10%;">1:</td><td style="width:15%;">10.7x</td><td style="width:10%; text-align: center;">←</td></tr> <tr><td>2:</td><td>9.9</td><td style="text-align: center;">↑</td></tr> <tr><td>3:</td><td>9.5</td><td style="text-align: center;">↗</td></tr> <tr><td>4:</td><td>9.9</td><td style="text-align: center;">↑</td></tr> <tr><td>5:</td><td>10.4x</td><td style="text-align: center;">→</td></tr> <tr><td>6:</td><td>9.5</td><td style="text-align: center;">→</td></tr> <tr><td>7:</td><td>9.9</td><td style="text-align: center;">↘</td></tr> <tr><td>8:</td><td>8.6</td><td style="text-align: center;">←</td></tr> <tr><td>9:</td><td>8.9</td><td style="text-align: center;">→</td></tr> <tr><td>10:</td><td>10.3</td><td style="text-align: center;">←</td></tr> <tr><td colspan="2"><b>Series</b></td><td style="text-align: right;"><b>91 ( 2x)</b></td></tr> <tr><td colspan="2"></td><td style="text-align: right;"><b>185 ( 4x)</b></td></tr> </table>	1:	10.7x	←	2:	9.9	↑	3:	9.5	↗	4:	9.9	↑	5:	10.4x	→	6:	9.5	→	7:	9.9	↘	8:	8.6	←	9:	8.9	→	10:	10.3	←	<b>Series</b>		<b>91 ( 2x)</b>			<b>185 ( 4x)</b>
1:	10.7x	←																																			
2:	9.9	↑																																			
3:	9.5	↗																																			
4:	9.9	↑																																			
5:	10.4x	→																																			
6:	9.5	→																																			
7:	9.9	↘																																			
8:	8.6	←																																			
9:	8.9	→																																			
10:	10.3	←																																			
<b>Series</b>		<b>91 ( 2x)</b>																																			
		<b>185 ( 4x)</b>																																			
<p><b>Series 3</b></p>	<table style="width:100%; border-collapse: collapse;"> <tr><td style="width:10%;">1:</td><td style="width:15%;">9.3</td><td style="width:10%; text-align: center;">→</td></tr> <tr><td>2:</td><td>9.5</td><td style="text-align: center;">↖</td></tr> <tr><td>3:</td><td>9.7</td><td style="text-align: center;">→</td></tr> <tr><td>4:</td><td>9.2</td><td style="text-align: center;">↑</td></tr> <tr><td>5:</td><td>10.6x</td><td style="text-align: center;">↘</td></tr> <tr><td>6:</td><td>9.0</td><td style="text-align: center;">→</td></tr> <tr><td>7:</td><td>10.1</td><td style="text-align: center;">↘</td></tr> <tr><td>8:</td><td>9.5</td><td style="text-align: center;">←</td></tr> <tr><td>9:</td><td>9.6</td><td style="text-align: center;">↑</td></tr> <tr><td>10:</td><td>8.7</td><td style="text-align: center;">←</td></tr> <tr><td colspan="2"><b>Series</b></td><td style="text-align: right;"><b>91 ( 1x)</b></td></tr> <tr><td colspan="2"></td><td style="text-align: right;"><b>276 ( 5x)</b></td></tr> </table>	1:	9.3	→	2:	9.5	↖	3:	9.7	→	4:	9.2	↑	5:	10.6x	↘	6:	9.0	→	7:	10.1	↘	8:	9.5	←	9:	9.6	↑	10:	8.7	←	<b>Series</b>		<b>91 ( 1x)</b>			<b>276 ( 5x)</b>
1:	9.3	→																																			
2:	9.5	↖																																			
3:	9.7	→																																			
4:	9.2	↑																																			
5:	10.6x	↘																																			
6:	9.0	→																																			
7:	10.1	↘																																			
8:	9.5	←																																			
9:	9.6	↑																																			
10:	8.7	←																																			
<b>Series</b>		<b>91 ( 1x)</b>																																			
		<b>276 ( 5x)</b>																																			



1:	10.1	↗
2:	8.8	↖
3:	9.7	→
4:	7.2	↗
5:	9.6	↖
6:	9.2	↙
7:	9.8	↑
8:	9.1	↑
9:	8.0	↘
10:	8.8	→
<b>Series</b>		<b>86 ( 0x)</b>
		<b>86 ( 0x)</b>



1:	9.4	←
2:	9.8	↘
3:	9.1	↗
4:	8.4	→
5:	9.4	↑
6:	10.0	→
7:	10.1	↘
8:	8.9	↑
9:	10.1	→
10:	9.4	↙
<b>Series</b>		<b>91 ( 0x)</b>
		<b>177 ( 0x)</b>



1:	10.3	←
2:	9.4	↗
3:	8.8	←
4:	8.9	↑
5:	9.7	↑
6:	10.1	↘
7:	10.0	↘
8:	10.4x	↗
9:	8.5	↑
10:	10.3	↙
<b>Series</b>		<b>92 ( 1x)</b>
		<b>269 ( 1x)</b>

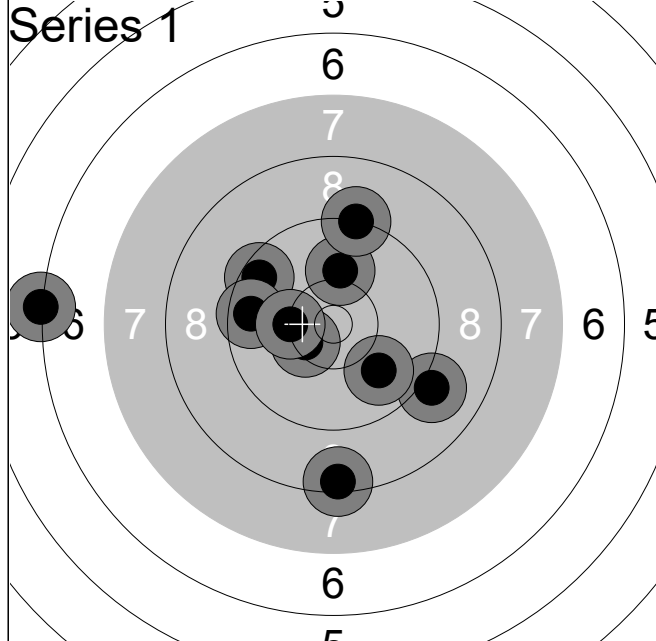
16.02.2023	DENMARK OPEN AIR 2023	Danmark Open Air 2023
------------	-----------------------	-----------------------

<p><b>Series 1</b></p>	<table style="width:100%; border-collapse: collapse;"> <tr><td style="width:10%;">1:</td><td style="width:15%;">8.4</td><td style="width:10%; text-align: center;">↗</td></tr> <tr><td>2:</td><td>8.8</td><td style="text-align: center;">↗</td></tr> <tr><td>3:</td><td>7.8</td><td style="text-align: center;">↓</td></tr> <tr><td>4:</td><td>7.8</td><td style="text-align: center;">↑</td></tr> <tr><td>5:</td><td>6.4</td><td style="text-align: center;">←</td></tr> <tr><td>6:</td><td>9.8</td><td style="text-align: center;">→</td></tr> <tr><td>7:</td><td>9.1</td><td style="text-align: center;">↗</td></tr> <tr><td>8:</td><td>9.1</td><td style="text-align: center;">↓</td></tr> <tr><td>9:</td><td>7.9</td><td style="text-align: center;">↖</td></tr> <tr><td>10:</td><td>8.8</td><td style="text-align: center;">←</td></tr> <tr><td colspan="2"><b>Series</b></td><td style="text-align: right;"><b>78 ( 0x)</b></td></tr> <tr><td colspan="2"></td><td style="text-align: right;"><b>78 ( 0x)</b></td></tr> </table>	1:	8.4	↗	2:	8.8	↗	3:	7.8	↓	4:	7.8	↑	5:	6.4	←	6:	9.8	→	7:	9.1	↗	8:	9.1	↓	9:	7.9	↖	10:	8.8	←	<b>Series</b>		<b>78 ( 0x)</b>			<b>78 ( 0x)</b>
1:	8.4	↗																																			
2:	8.8	↗																																			
3:	7.8	↓																																			
4:	7.8	↑																																			
5:	6.4	←																																			
6:	9.8	→																																			
7:	9.1	↗																																			
8:	9.1	↓																																			
9:	7.9	↖																																			
10:	8.8	←																																			
<b>Series</b>		<b>78 ( 0x)</b>																																			
		<b>78 ( 0x)</b>																																			
<p><b>Series 2</b></p>	<table style="width:100%; border-collapse: collapse;"> <tr><td style="width:10%;">1:</td><td style="width:15%;">10.4x</td><td style="width:10%; text-align: center;">↑</td></tr> <tr><td>2:</td><td>10.2</td><td style="text-align: center;">↗</td></tr> <tr><td>3:</td><td>9.6</td><td style="text-align: center;">↖</td></tr> <tr><td>4:</td><td>9.8</td><td style="text-align: center;">↗</td></tr> <tr><td>5:</td><td>8.0</td><td style="text-align: center;">↓</td></tr> <tr><td>6:</td><td>9.8</td><td style="text-align: center;">↘</td></tr> <tr><td>7:</td><td>9.3</td><td style="text-align: center;">↖</td></tr> <tr><td>8:</td><td>8.9</td><td style="text-align: center;">↗</td></tr> <tr><td>9:</td><td>9.0</td><td style="text-align: center;">↑</td></tr> <tr><td>10:</td><td>9.3</td><td style="text-align: center;">↑</td></tr> <tr><td colspan="2"><b>Series</b></td><td style="text-align: right;"><b>90 ( 1x)</b></td></tr> <tr><td colspan="2"></td><td style="text-align: right;"><b>168 ( 1x)</b></td></tr> </table>	1:	10.4x	↑	2:	10.2	↗	3:	9.6	↖	4:	9.8	↗	5:	8.0	↓	6:	9.8	↘	7:	9.3	↖	8:	8.9	↗	9:	9.0	↑	10:	9.3	↑	<b>Series</b>		<b>90 ( 1x)</b>			<b>168 ( 1x)</b>
1:	10.4x	↑																																			
2:	10.2	↗																																			
3:	9.6	↖																																			
4:	9.8	↗																																			
5:	8.0	↓																																			
6:	9.8	↘																																			
7:	9.3	↖																																			
8:	8.9	↗																																			
9:	9.0	↑																																			
10:	9.3	↑																																			
<b>Series</b>		<b>90 ( 1x)</b>																																			
		<b>168 ( 1x)</b>																																			
<p><b>Series 3</b></p>	<table style="width:100%; border-collapse: collapse;"> <tr><td style="width:10%;">1:</td><td style="width:15%;">7.9</td><td style="width:10%; text-align: center;">↑</td></tr> <tr><td>2:</td><td>9.6</td><td style="text-align: center;">↑</td></tr> <tr><td>3:</td><td>10.8x</td><td style="text-align: center;">↑</td></tr> <tr><td>4:</td><td>10.6x</td><td style="text-align: center;">↓</td></tr> <tr><td>5:</td><td>7.6</td><td style="text-align: center;">↗</td></tr> <tr><td>6:</td><td>8.9</td><td style="text-align: center;">↖</td></tr> <tr><td>7:</td><td>8.7</td><td style="text-align: center;">↑</td></tr> <tr><td>8:</td><td>9.1</td><td style="text-align: center;">↗</td></tr> <tr><td>9:</td><td>9.7</td><td style="text-align: center;">↓</td></tr> <tr><td>10:</td><td>9.0</td><td style="text-align: center;">↓</td></tr> <tr><td colspan="2"><b>Series</b></td><td style="text-align: right;"><b>86 ( 2x)</b></td></tr> <tr><td colspan="2"></td><td style="text-align: right;"><b>254 ( 3x)</b></td></tr> </table>	1:	7.9	↑	2:	9.6	↑	3:	10.8x	↑	4:	10.6x	↓	5:	7.6	↗	6:	8.9	↖	7:	8.7	↑	8:	9.1	↗	9:	9.7	↓	10:	9.0	↓	<b>Series</b>		<b>86 ( 2x)</b>			<b>254 ( 3x)</b>
1:	7.9	↑																																			
2:	9.6	↑																																			
3:	10.8x	↑																																			
4:	10.6x	↓																																			
5:	7.6	↗																																			
6:	8.9	↖																																			
7:	8.7	↑																																			
8:	9.1	↗																																			
9:	9.7	↓																																			
10:	9.0	↓																																			
<b>Series</b>		<b>86 ( 2x)</b>																																			
		<b>254 ( 3x)</b>																																			

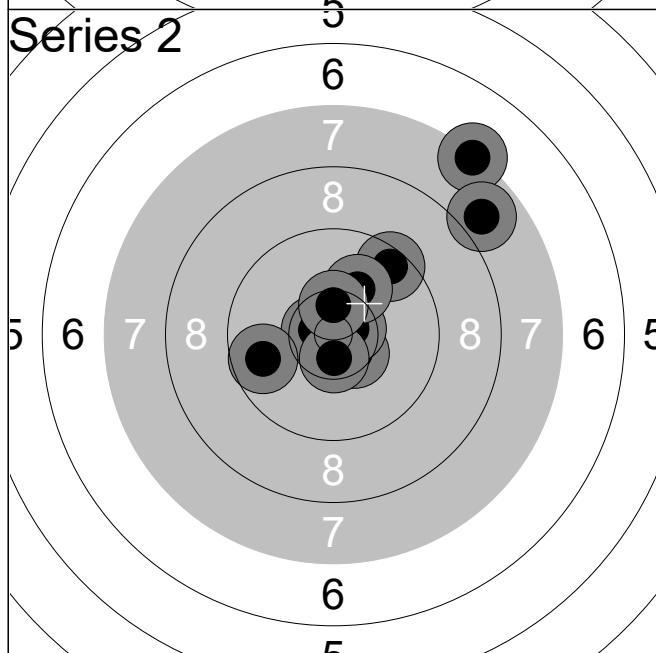


Relay <b>1</b>	Lane <b>9</b>	<b>Sif Gorm Hansen</b>		
1 Mixed Team		DEN 4	Wp	Pistol
16.02.2023		DENMARK OPEN AIR 2023	Danmark Open Air 2023	
<b>Series 1</b> 	1:	9.9	→	
	2:	8.7	↑	
	3:	9.4	↗	
	4:	9.9	←	
	5:	9.8	↘	
	6:	9.4	↗	
	7:	10.1	←	
	8:	8.6	↘	
	9:	9.7	↑	
	10:	8.6	↗	
	Series			88 ( 0x)
			88 ( 0x)	
<b>Series 2</b> 	1:	9.5	→	
	2:	9.1	↓	
	3:	9.7	↙	
	4:	10.0	↗	
	5:	8.9	↑	
	6:	10.5x	→	
	7:	7.8	←	
	8:	8.0	↑	
	9:	9.8	↙	
	10:	9.2	↘	
	Series			88 ( 1x)
			176 ( 1x)	
<b>Series 3</b> 	1:	8.8	→	
	2:	8.9	↑	
	3:	8.1	↑	
	4:	8.7	↗	
	5:	10.2	←	
	6:	10.2	↘	
	7:	10.7x	→	
	8:	9.7	↗	
	9:	8.8	←	
	10:	10.4x	←	
	Series			89 ( 2x)
			265 ( 3x)	



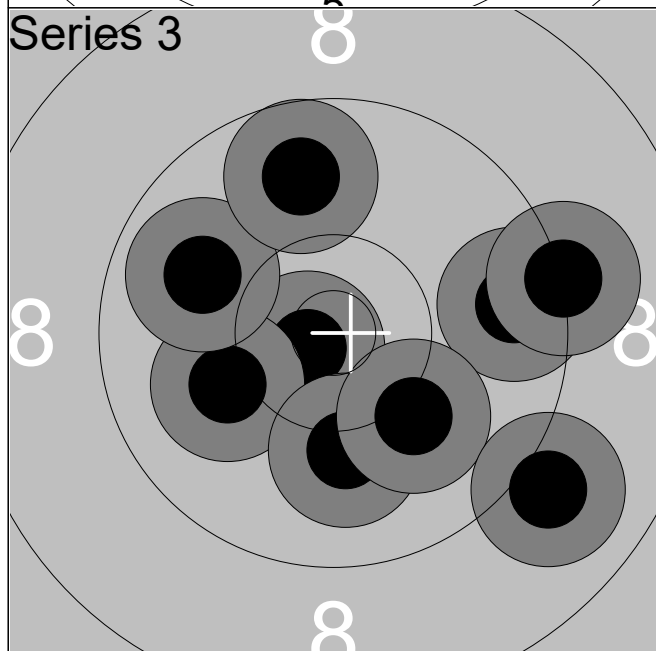
1:	10.4x	↙
2:	8.4	↓
3:	6.2	←
4:	9.5	↗
5:	9.6	←
6:	9.0	↘
7:	9.9	↘
8:	10.1	↑
9:	9.2	↑
10:	10.2	←

Series	<b>89 ( 1x)</b>
<b>89 ( 1x)</b>	



1:	9.5	↗
2:	10.5x	↘
3:	10.6x	→
4:	10.6x	←
5:	7.3	↗
6:	7.9	↗
7:	10.6x	↓
8:	10.1	↑
9:	9.7	←
10:	10.5x	↑

Series	<b>92 ( 5x)</b>
<b>181 ( 6x)</b>	



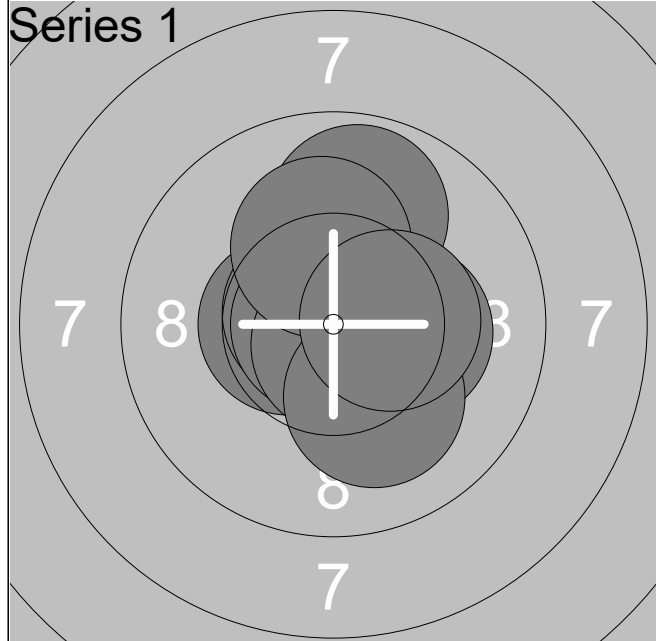
1:	10.3	←
2:	10.7x	←
3:	10.1	←
4:	9.6	→
5:	10.1	↓
6:	10.1	↘
7:	9.9	←
8:	9.8	↑
9:	9.0	↘
10:	9.2	→

Series	<b>95 ( 1x)</b>
<b>276 ( 7x)</b>	

Relay <b>1</b>	Lane <b>11</b>	<b>Justine Allezard</b>
-------------------	-------------------	-------------------------

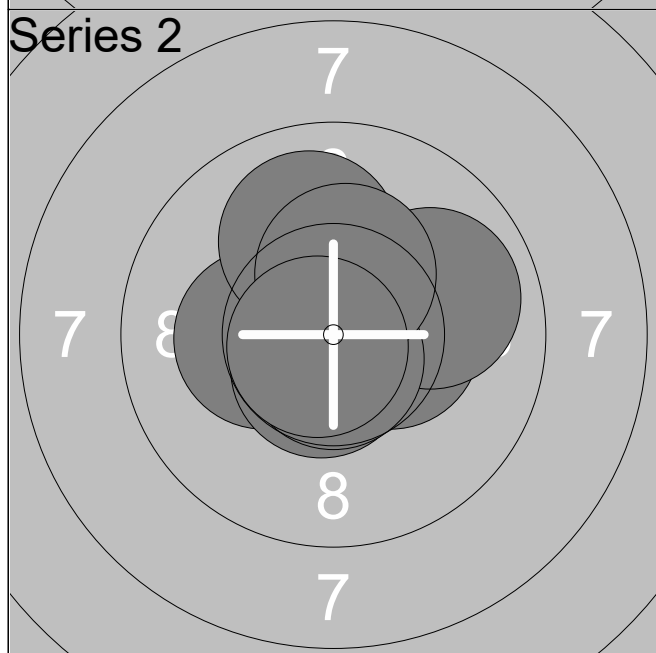
1 Mixed Team	FRA 3	W
--------------	-------	---

16.02.2023	DENMARK OPEN AIR 2023	Danmark Open Air 2023
------------	-----------------------	-----------------------



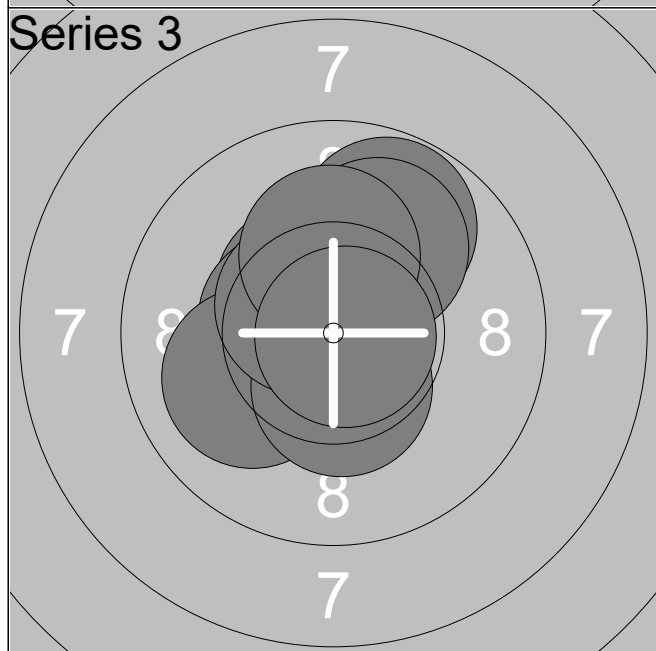
1:	10.5x	←
2:	10.7x	↖
3:	9.8	↑
4:	10.8x	←
5:	10.5x	→
6:	10.7x	↓
7:	10.2x	↑
8:	10.3x	→
9:	10.1	↓
10:	10.4x	→

Series	99 ( 8x)
	99 ( 8x)



1:	10.8x	↘
2:	10.4x	→
3:	10.8x	↓
4:	10.2x	←
5:	10.6x	↓
6:	9.9	→
7:	10.7x	↓
8:	10.0	↑
9:	10.3x	↑
10:	10.7x	↙

Series	99 ( 8x)
	198 (16x)



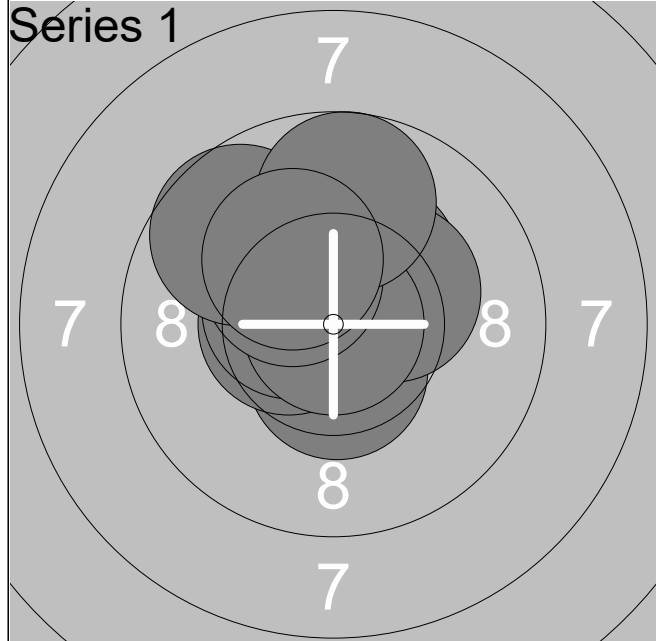
1:	10.4x	↗
2:	9.8	↗
3:	10.0	↗
4:	10.7x	↑
5:	10.5x	←
6:	10.0	↙
7:	10.4x	↓
8:	10.5x	↗
9:	10.2x	↑
10:	10.8x	→

Series	99 ( 7x)
	297 (23x)

Relay <b>1</b>	Lane <b>12</b>	<b>Timothée Vedel</b>
-------------------	-------------------	-----------------------

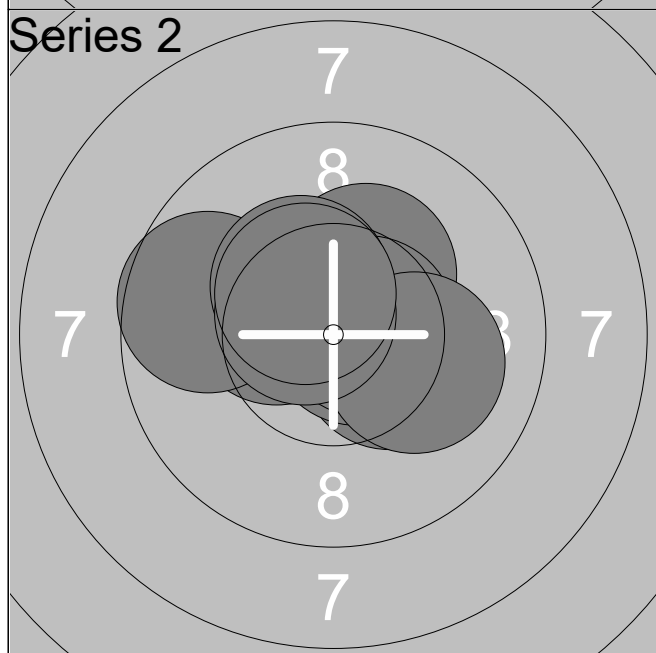
1 Mixed Team	FRA 3	M
--------------	-------	---

16.02.2023	DENMARK OPEN AIR 2023	Danmark Open Air 2023
------------	-----------------------	-----------------------



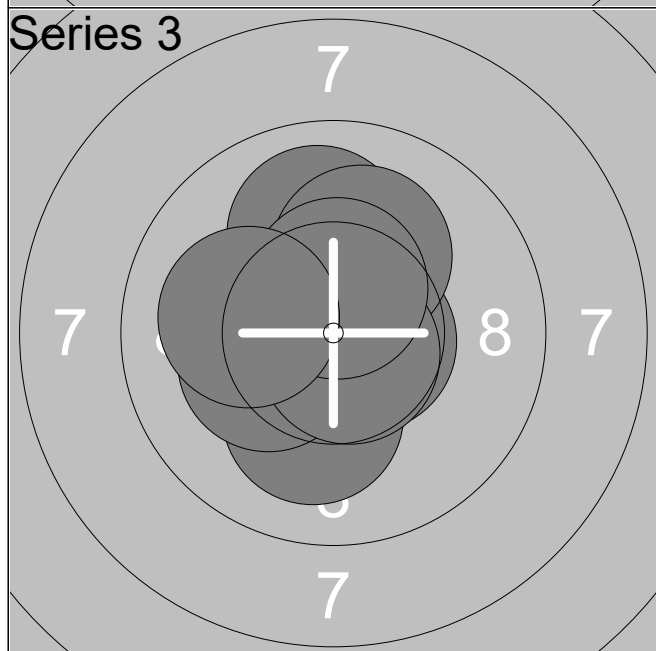
1:	10.3x	↗
2:	10.5x	↓
3:	10.5x	←
4:	10.3x	↗
5:	10.5x	←
6:	10.9x	
7:	10.3x	↗
8:	9.7	↗
9:	9.7	↑
10:	10.2x	↗

Series	98 ( 8x)
	98 ( 8x)



1:	10.2x	↗
2:	10.3x	←
3:	10.3x	→
4:	9.7	←
5:	10.7x	→
6:	10.6x	→
7:	10.3x	↗
8:	10.1	→
9:	10.6x	↗
10:	10.4x	↗

Series	99 ( 8x)
	197 (16x)



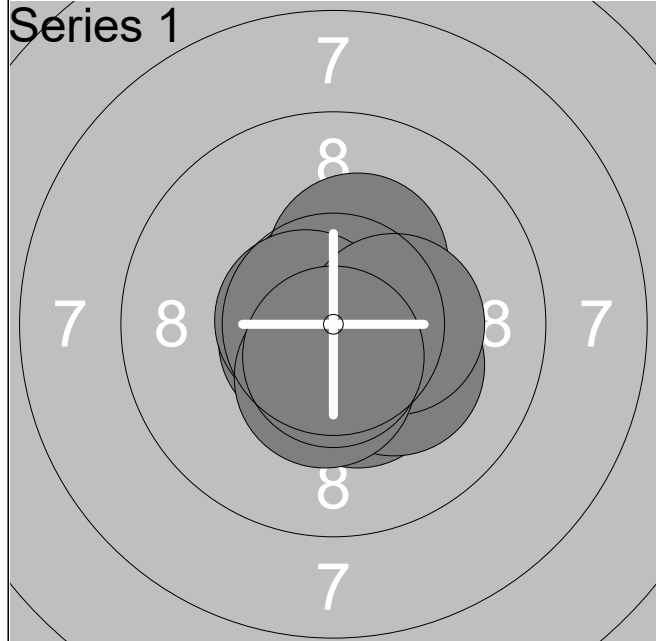
1:	10.0	↑
2:	10.1	↓
3:	10.6x	↑
4:	10.6x	↑
5:	10.6x	→
6:	10.2x	←
7:	10.1	↑
8:	10.7x	↓
9:	10.5x	↑
10:	10.1	←

Series	100 ( 6x)
	297 (22x)

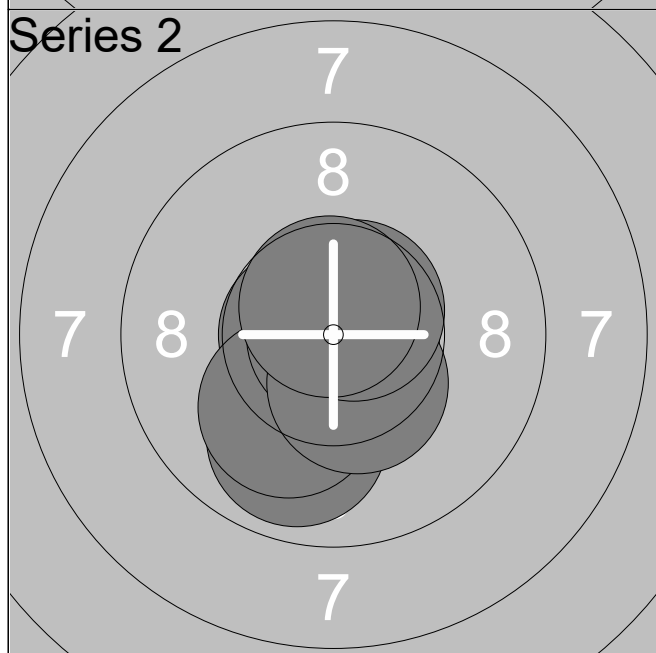
Relay <b>1</b>	Lane <b>13</b>	<b>Emma Kock</b>
-------------------	-------------------	------------------

1 Mixed Team	DEN 1	W	Rifle
--------------	-------	---	-------

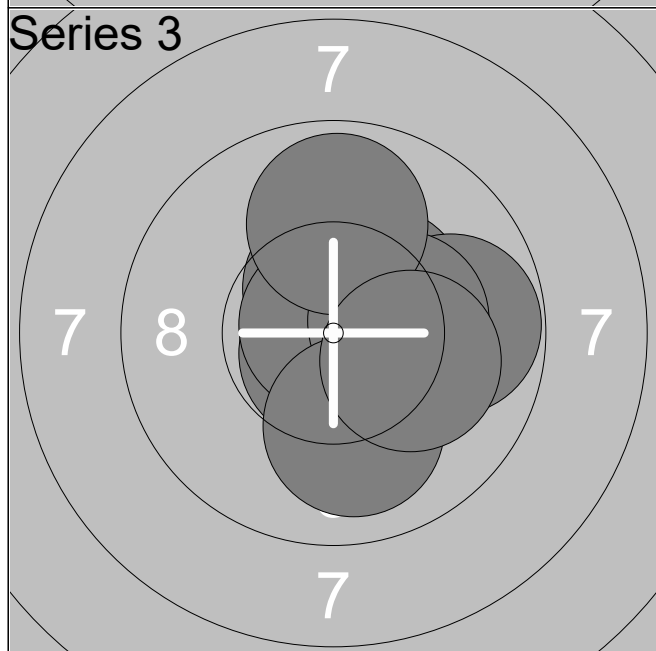
16.02.2023	DENMARK OPEN AIR 2023	Danmark Open Air 2023
------------	-----------------------	-----------------------



1:	10.4x	↘
2:	10.7x	↑
3:	10.6x	↙
4:	10.3x	↗
5:	10.6x	↖
6:	10.4x	↘
7:	10.2x	↘
8:	10.3x	→
9:	10.4x	↓
10:	10.6x	↓
<b>Series</b>		<b>100 (10x)</b>
		<b>100 (10x)</b>



1:	9.9	↓
2:	10.6x	↓
3:	10.7x	↓
4:	10.7x	↖
5:	10.1	↙
6:	10.8x	→
7:	10.9x	→
8:	10.4x	↘
9:	10.6x	↗
10:	10.7x	↑
<b>Series</b>		<b>99 ( 8x)</b>
		<b>199 (18x)</b>

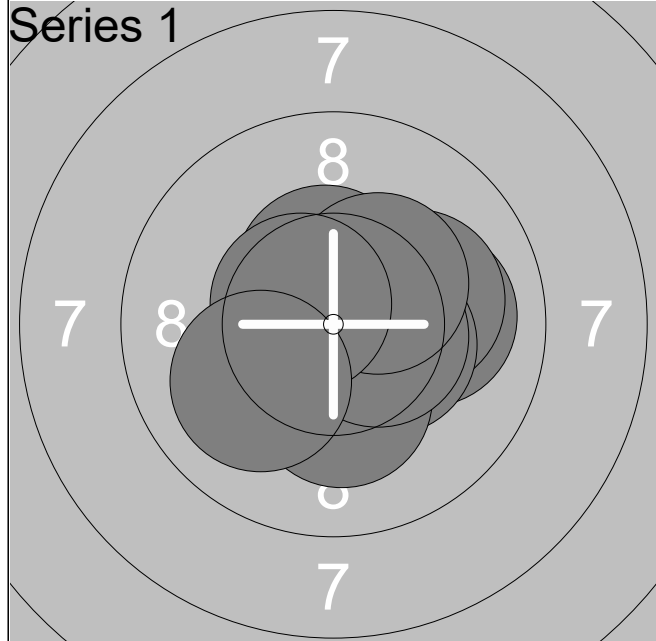


1:	10.5x	↑
2:	10.8x	↘
3:	10.7x	↓
4:	10.3x	↗
5:	9.8	→
6:	10.8x	↗
7:	10.3x	→
8:	9.9	↑
9:	10.0	↓
10:	10.1	→
<b>Series</b>		<b>98 ( 6x)</b>
		<b>297 (24x)</b>

Relay <b>1</b>	Lane <b>14</b>	<b>Nicklas Kildehøj</b>		
-------------------	-------------------	-------------------------	--	--

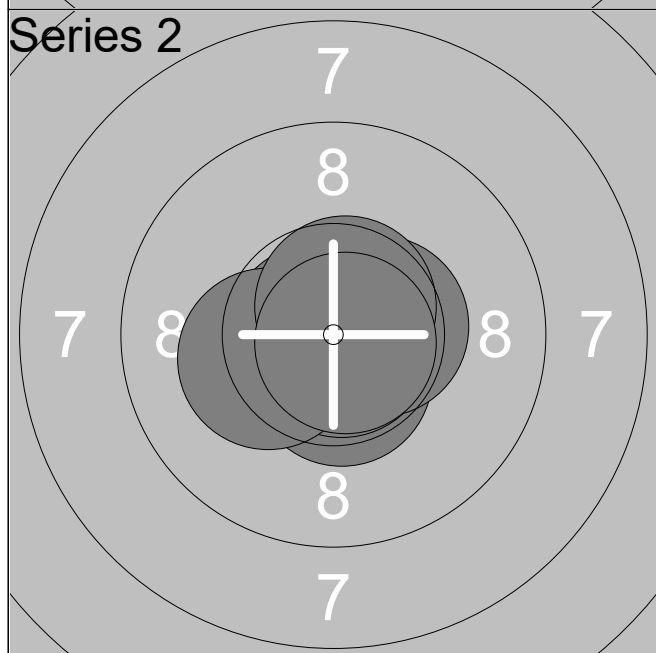
1 Mixed Team	DEN 1	M	Rifle
--------------	-------	---	-------

16.02.2023	DENMARK OPEN AIR 2023	Danmark Open Air 2023	
------------	-----------------------	-----------------------	--



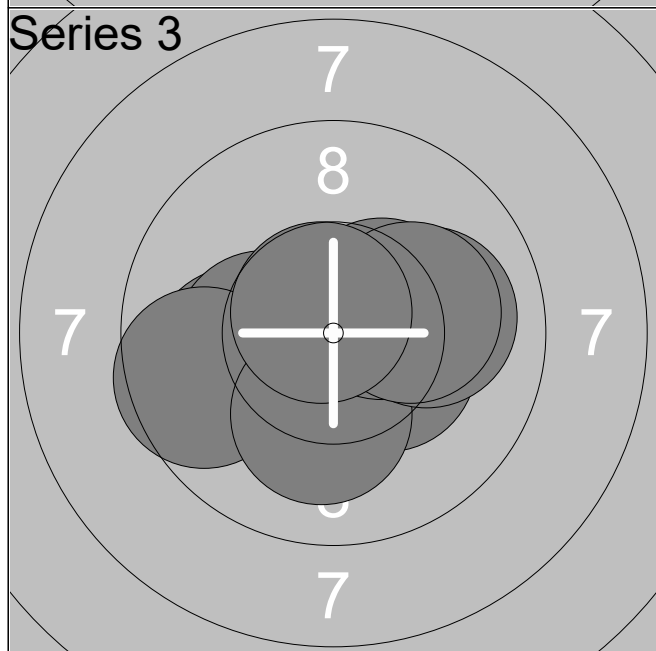
1:	10.0	→
2:	10.1	→
3:	10.4x	→
4:	10.2x	↓
5:	10.5x	→
6:	10.4x	↑
7:	10.5x	→
8:	10.3x	↗
9:	10.6x	↖
10:	10.0	↙

Series	100 ( 7x)
	100 ( 7x)



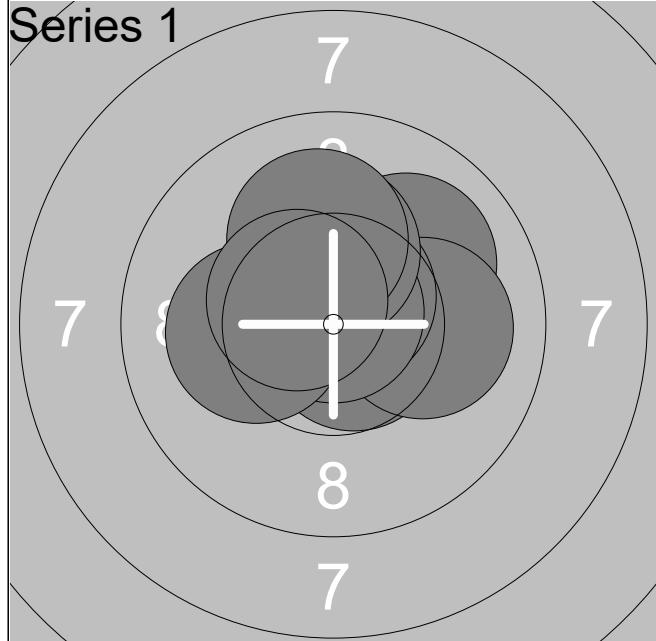
1:	10.8x	↙
2:	10.9x	↑
3:	10.5x	↓
4:	10.8x	↓
5:	10.5x	→
6:	10.8x	←
7:	10.8x	←
8:	10.2x	←
9:	10.6x	↑
10:	10.8x	↘

Series	100 (10x)
	200 (17x)



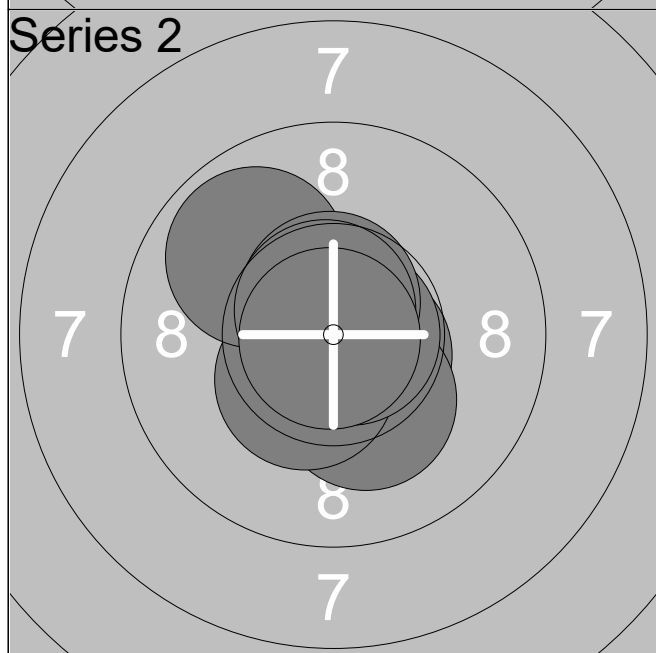
1:	10.0	←
2:	10.3x	→
3:	10.3x	←
4:	9.6	←
5:	10.6x	→
6:	10.1	↓
7:	10.4x	→
8:	10.0	→
9:	10.1	→
10:	10.7x	↖

Series	99 ( 5x)
	299 (22x)



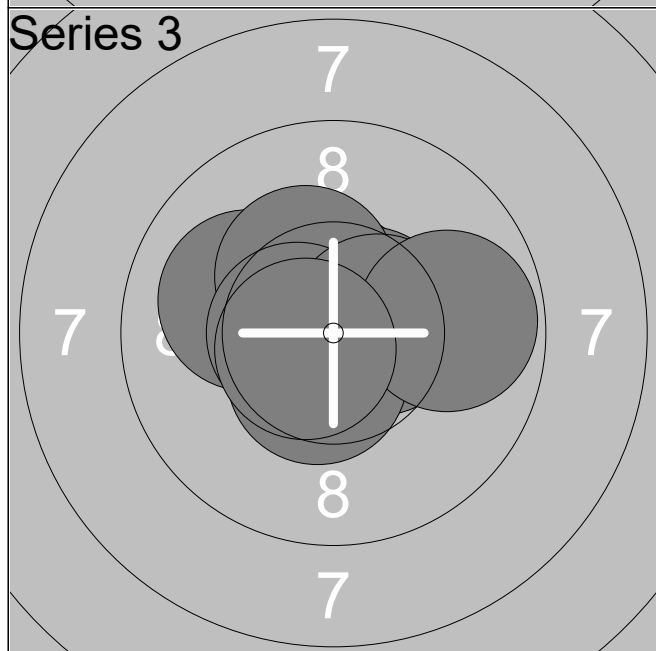
1:	10.3x	↗
2:	10.6x	↘
3:	10.0	↗
4:	10.0	→
5:	10.6x	↗
6:	10.8x	↑
7:	10.2x	↑
8:	10.2x	←
9:	10.1	↑
10:	10.5x	↖

Series	100 ( 7x)
	100 ( 7x)



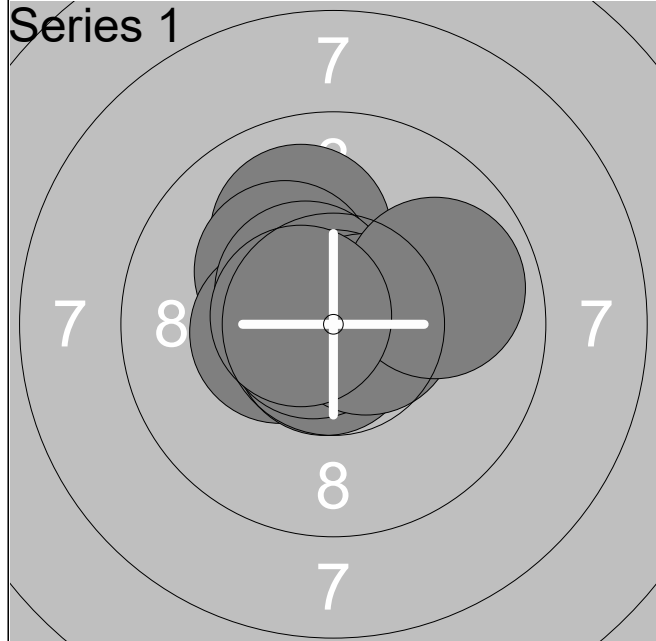
1:	10.6x	↘
2:	10.8x	↑
3:	10.2x	↘
4:	10.4x	↘
5:	10.8x	↑
6:	10.8x	→
7:	9.8	↗
8:	10.6x	↑
9:	10.7x	↑
10:	10.9x	↘

Series	99 ( 9x)
	199 (16x)



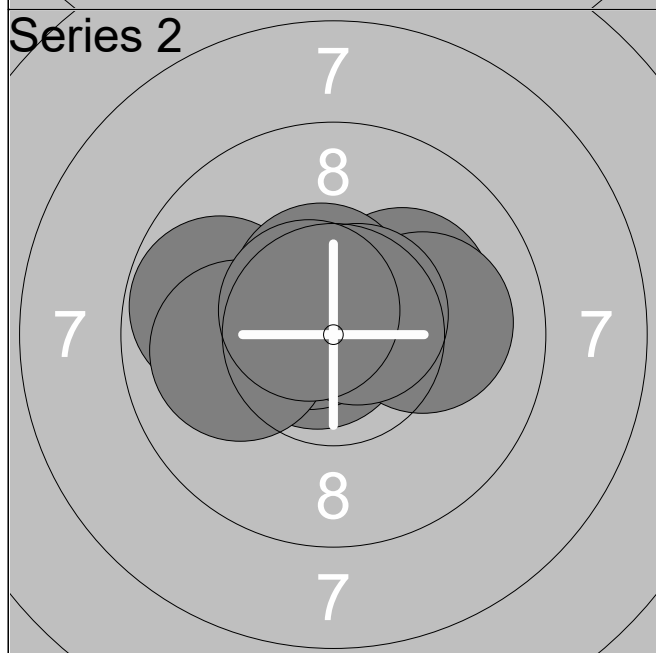
1:	10.6x	↑
2:	10.6x	↗
3:	10.0	←
4:	10.7x	↘
5:	10.3x	↗
6:	10.6x	←
7:	10.5x	→
8:	10.5x	↘
9:	9.8	→
10:	10.6x	↖

Series	99 ( 8x)
	298 (24x)



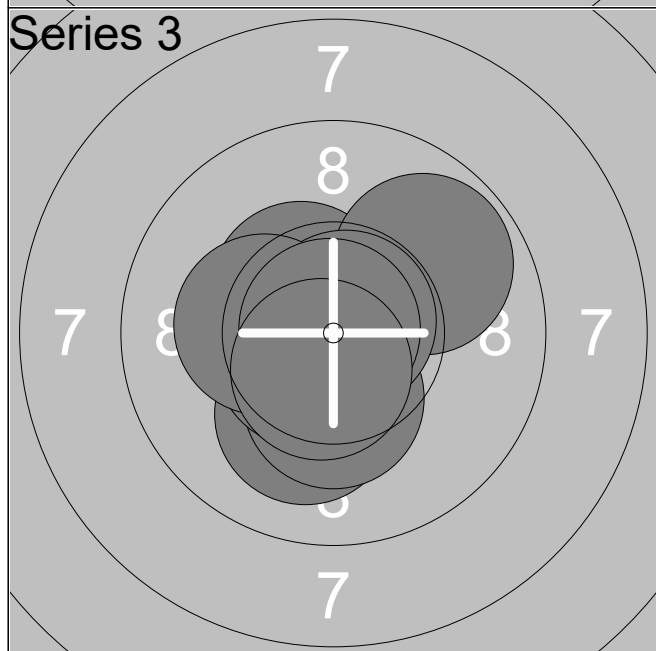
1:	10.0	↗
2:	10.2x	↗
3:	10.4x	←
4:	10.5x	↗
5:	10.7x	↓
6:	10.9x	↑
7:	10.7x	←
8:	10.6x	→
9:	9.9	↗
10:	10.6x	←

Series	99 ( 8x)
	99 ( 8x)



1:	10.7x	↑
2:	9.8	←
3:	10.8x	←
4:	10.2x	↗
5:	10.0	→
6:	10.6x	↗
7:	10.5x	↑
8:	10.6x	↗
9:	10.0	←
10:	10.6x	↗

Series	99 ( 7x)
	198 (15x)



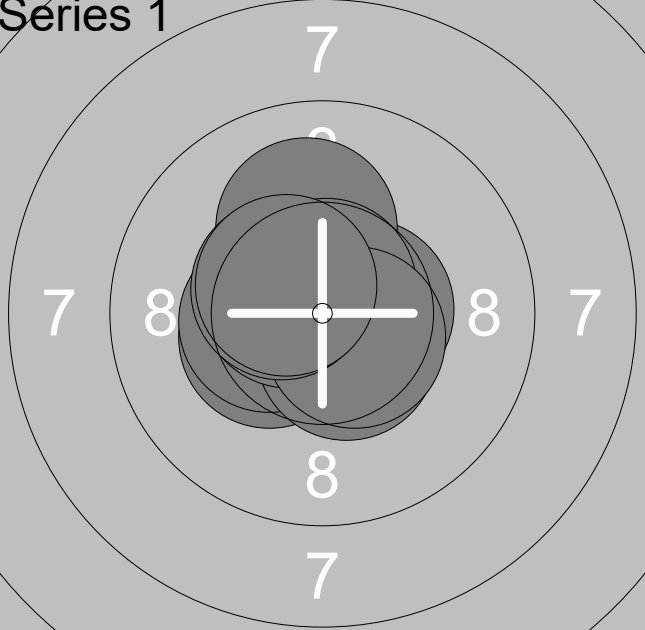
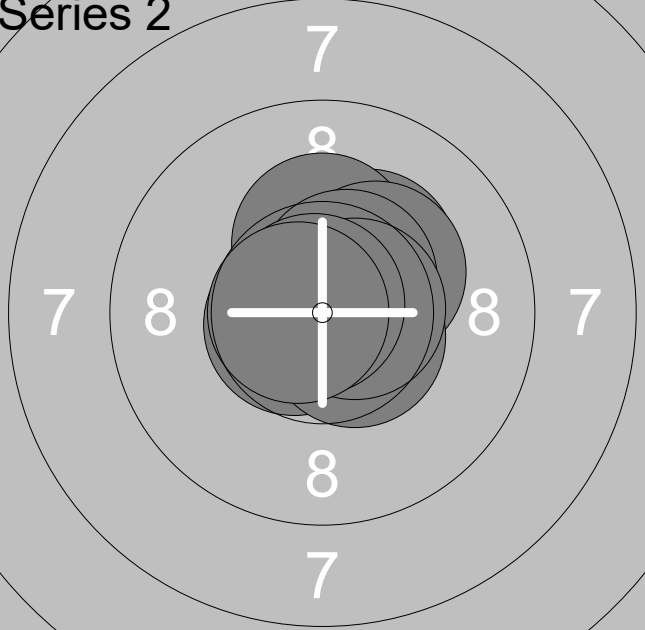
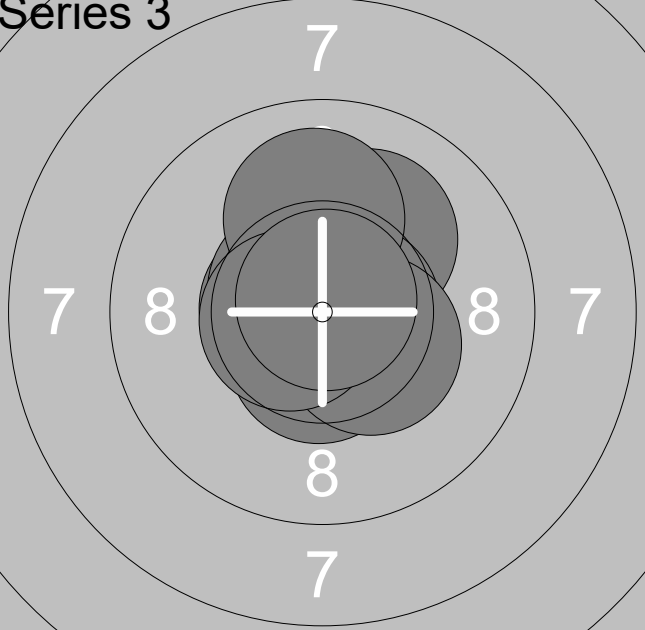
1:	10.4x	↗
2:	10.1	↓
3:	10.3x	↓
4:	10.9x	
5:	9.8	↗
6:	10.8x	↗
7:	10.5x	↙
8:	10.2x	←
9:	10.9x	↗
10:	10.5x	↓

Series	99 ( 8x)
	297 (23x)



16.02.2023	DENMARK OPEN AIR 2023	Danmark Open Air 2023
------------	-----------------------	-----------------------

<b>Series 1</b> 	<table style="width:100%; border-collapse: collapse;"> <tr><td style="width:5%;">1:</td><td style="width:85%;">10.3x</td><td style="width:10%; text-align: right;">↙</td></tr> <tr><td>2:</td><td>10.4x</td><td style="text-align: right;">←</td></tr> <tr><td>3:</td><td>10.5x</td><td style="text-align: right;">→</td></tr> <tr><td>4:</td><td>10.5x</td><td style="text-align: right;">↓</td></tr> <tr><td>5:</td><td>10.1</td><td style="text-align: right;">↑</td></tr> <tr><td>6:</td><td>10.7x</td><td style="text-align: right;">↑</td></tr> <tr><td>7:</td><td>10.6x</td><td style="text-align: right;">↖</td></tr> <tr><td>8:</td><td>10.5x</td><td style="text-align: right;">↓</td></tr> <tr><td>9:</td><td>10.5x</td><td style="text-align: right;">↗</td></tr> <tr><td>10:</td><td>10.5x</td><td style="text-align: right;">↖</td></tr> <tr><td colspan="2"><b>Series</b></td><td style="text-align: right;"><b>100 ( 9x)</b></td></tr> <tr><td colspan="2"></td><td style="text-align: right;"><b>100 ( 9x)</b></td></tr> </table>	1:	10.3x	↙	2:	10.4x	←	3:	10.5x	→	4:	10.5x	↓	5:	10.1	↑	6:	10.7x	↑	7:	10.6x	↖	8:	10.5x	↓	9:	10.5x	↗	10:	10.5x	↖	<b>Series</b>		<b>100 ( 9x)</b>			<b>100 ( 9x)</b>
1:	10.3x	↙																																			
2:	10.4x	←																																			
3:	10.5x	→																																			
4:	10.5x	↓																																			
5:	10.1	↑																																			
6:	10.7x	↑																																			
7:	10.6x	↖																																			
8:	10.5x	↓																																			
9:	10.5x	↗																																			
10:	10.5x	↖																																			
<b>Series</b>		<b>100 ( 9x)</b>																																			
		<b>100 ( 9x)</b>																																			
<b>Series 2</b> 	<table style="width:100%; border-collapse: collapse;"> <tr><td style="width:5%;">1:</td><td style="width:85%;">10.6x</td><td style="width:10%; text-align: right;">↙</td></tr> <tr><td>2:</td><td>10.2x</td><td style="text-align: right;">↗</td></tr> <tr><td>3:</td><td>10.2x</td><td style="text-align: right;">↑</td></tr> <tr><td>4:</td><td>10.3x</td><td style="text-align: right;">↗</td></tr> <tr><td>5:</td><td>10.5x</td><td style="text-align: right;">↗</td></tr> <tr><td>6:</td><td>10.9x</td><td style="text-align: right;">↓</td></tr> <tr><td>7:</td><td>10.5x</td><td style="text-align: right;">↓</td></tr> <tr><td>8:</td><td>10.6x</td><td style="text-align: right;">→</td></tr> <tr><td>9:</td><td>10.8x</td><td style="text-align: right;">↗</td></tr> <tr><td>10:</td><td>10.7x</td><td style="text-align: right;">←</td></tr> <tr><td colspan="2"><b>Series</b></td><td style="text-align: right;"><b>100 (10x)</b></td></tr> <tr><td colspan="2"></td><td style="text-align: right;"><b>200 (19x)</b></td></tr> </table>	1:	10.6x	↙	2:	10.2x	↗	3:	10.2x	↑	4:	10.3x	↗	5:	10.5x	↗	6:	10.9x	↓	7:	10.5x	↓	8:	10.6x	→	9:	10.8x	↗	10:	10.7x	←	<b>Series</b>		<b>100 (10x)</b>			<b>200 (19x)</b>
1:	10.6x	↙																																			
2:	10.2x	↗																																			
3:	10.2x	↑																																			
4:	10.3x	↗																																			
5:	10.5x	↗																																			
6:	10.9x	↓																																			
7:	10.5x	↓																																			
8:	10.6x	→																																			
9:	10.8x	↗																																			
10:	10.7x	←																																			
<b>Series</b>		<b>100 (10x)</b>																																			
		<b>200 (19x)</b>																																			
<b>Series 3</b> 	<table style="width:100%; border-collapse: collapse;"> <tr><td style="width:5%;">1:</td><td style="width:85%;">10.6x</td><td style="width:10%; text-align: right;">↙</td></tr> <tr><td>2:</td><td>10.5x</td><td style="text-align: right;">↓</td></tr> <tr><td>3:</td><td>10.1</td><td style="text-align: right;">↗</td></tr> <tr><td>4:</td><td>10.6x</td><td style="text-align: right;">→</td></tr> <tr><td>5:</td><td>10.4x</td><td style="text-align: right;">↘</td></tr> <tr><td>6:</td><td>10.8x</td><td style="text-align: right;">↑</td></tr> <tr><td>7:</td><td>10.6x</td><td style="text-align: right;">↖</td></tr> <tr><td>8:</td><td>10.0</td><td style="text-align: right;">↑</td></tr> <tr><td>9:</td><td>10.6x</td><td style="text-align: right;">←</td></tr> <tr><td>10:</td><td>10.8x</td><td style="text-align: right;">↑</td></tr> <tr><td colspan="2"><b>Series</b></td><td style="text-align: right;"><b>100 ( 8x)</b></td></tr> <tr><td colspan="2"></td><td style="text-align: right;"><b>300 (27x)</b></td></tr> </table>	1:	10.6x	↙	2:	10.5x	↓	3:	10.1	↗	4:	10.6x	→	5:	10.4x	↘	6:	10.8x	↑	7:	10.6x	↖	8:	10.0	↑	9:	10.6x	←	10:	10.8x	↑	<b>Series</b>		<b>100 ( 8x)</b>			<b>300 (27x)</b>
1:	10.6x	↙																																			
2:	10.5x	↓																																			
3:	10.1	↗																																			
4:	10.6x	→																																			
5:	10.4x	↘																																			
6:	10.8x	↑																																			
7:	10.6x	↖																																			
8:	10.0	↑																																			
9:	10.6x	←																																			
10:	10.8x	↑																																			
<b>Series</b>		<b>100 ( 8x)</b>																																			
		<b>300 (27x)</b>																																			

Relay <b>1</b>	Lane <b>18</b>	<b>Niels H. Overgaard</b>		
-------------------	-------------------	---------------------------	--	--

1 Mixed Team	DEN 2	M	Rifle
--------------	-------	---	-------

16.02.2023	DENMARK OPEN AIR 2023	Danmark Open Air 2023		
<b>Series 1</b> 	1:	10.0	↗	
	2:	10.2x	↑	
	3:	10.2x	↗	
	4:	10.3x	→	
	5:	10.6x	↗	
	6:	10.1	→	
	7:	9.9	↗	
	8:	10.3x	↘	
	9:	10.4x	↓	
	10:	10.6x	↘	
	Series			99 ( 7x)
			99 ( 7x)	
<b>Series 2</b> 	1:	10.6x	↓	
	2:	10.7x	↓	
	3:	9.9	↗	
	4:	10.6x	↑	
	5:	10.4x	↘	
	6:	10.6x	↑	
	7:	10.4x	↗	
	8:	10.3x	↖	
	9:	10.3x	→	
	10:	10.7x	↙	
	Series			99 ( 9x)
			198 (16x)	
<b>Series 3</b> 	1:	9.8	→	
	2:	10.5x	↖	
	3:	10.0	↑	
	4:	10.5x	↙	
	5:	10.5x	↑	
	6:	9.9	↖	
	7:	9.6	↖	
	8:	10.8x	↗	
	9:	9.8	↙	
	10:	10.3x	↓	
	Series			96 ( 5x)
			294 (21x)	

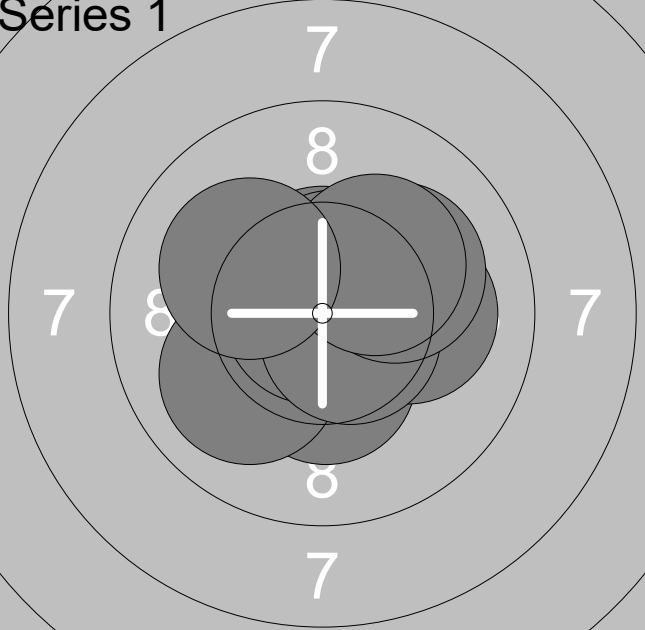
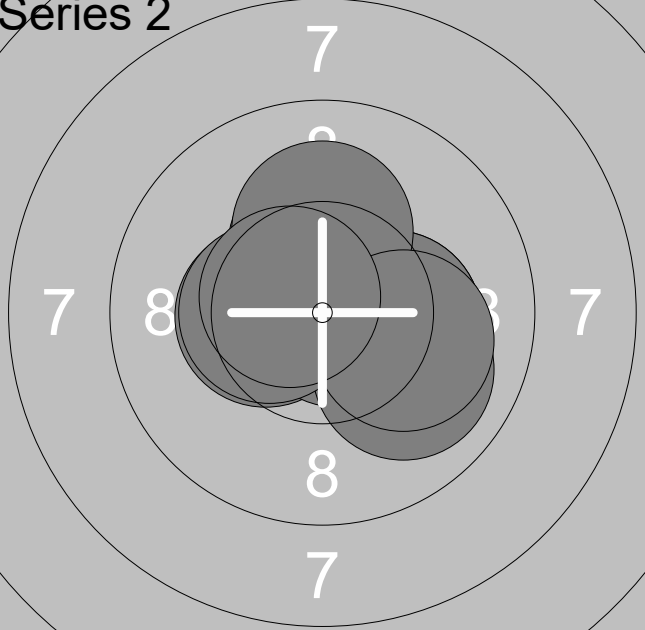
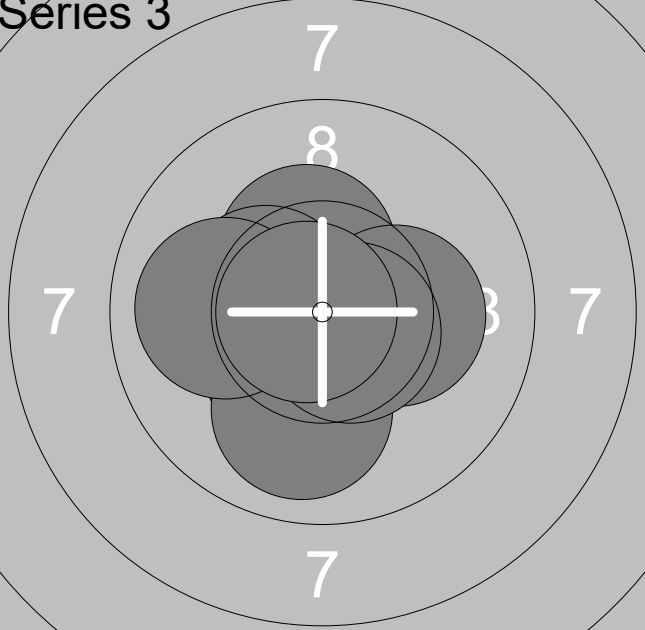
Relay <b>1</b>	Lane <b>19</b>	<b>Hannah Göransson</b>
-------------------	-------------------	-------------------------

1 Mixed Team	SWE 2	W	Rifle
--------------	-------	---	-------

16.02.2023	DENMARK OPEN AIR 2023	Danmark Open Air 2023	
<b>Series 1</b> 	1:	10.3x	↗
	2:	10.5x	↑
	3:	10.5x	↓
	4:	10.2x	↗
	5:	10.5x	↘
	6:	10.2x	→
	7:	10.6x	↗
	8:	10.9x	
	9:	10.3x	↑
	10:	10.6x	↑
	<b>Series</b>		<b>100 (10x)</b>
		<b>100 (10x)</b>	
<b>Series 2</b> 	1:	10.5x	←
	2:	9.8	↓
	3:	10.9x	↙
	4:	10.3x	←
	5:	10.5x	↗
	6:	10.3x	↘
	7:	10.9x	↗
	8:	9.9	↖
	9:	10.5x	↑
	10:	10.7x	↙
	<b>Series</b>		<b>98 ( 8x)</b>
		<b>198 (18x)</b>	
<b>Series 3</b> 	1:	10.0	↘
	2:	10.3x	↓
	3:	10.4x	↗
	4:	10.4x	←
	5:	10.4x	↗
	6:	10.1	↑
	7:	10.4x	↗
	8:	10.8x	↖
	9:	10.1	↑
	10:	10.6x	↘
	<b>Series</b>		<b>100 ( 7x)</b>
		<b>298 (25x)</b>	

16.02.2023	DENMARK OPEN AIR 2023	Danmark Open Air 2023
------------	-----------------------	-----------------------

<b>Series 1</b> 	<table style="width:100%; border-collapse: collapse;"> <tr><td style="width:5%;">1:</td><td style="width:15%;">10.6x</td><td style="width:10%; text-align: center;">↑</td></tr> <tr><td>2:</td><td>10.3x</td><td style="text-align: center;">↓</td></tr> <tr><td>3:</td><td>10.0</td><td style="text-align: center;">↙</td></tr> <tr><td>4:</td><td>10.6x</td><td style="text-align: center;">↑</td></tr> <tr><td>5:</td><td>10.8x</td><td style="text-align: center;">←</td></tr> <tr><td>6:</td><td>10.1</td><td style="text-align: center;">→</td></tr> <tr><td>7:</td><td>10.6x</td><td style="text-align: center;">↘</td></tr> <tr><td>8:</td><td>10.1</td><td style="text-align: center;">↗</td></tr> <tr><td>9:</td><td>10.2x</td><td style="text-align: center;">↗</td></tr> <tr><td>10:</td><td>10.1</td><td style="text-align: center;">↖</td></tr> <tr><td colspan="2"><b>Series</b></td><td style="text-align: right;"><b>100 ( 6x)</b></td></tr> <tr><td colspan="2"></td><td style="text-align: right;"><b>100 ( 6x)</b></td></tr> </table>	1:	10.6x	↑	2:	10.3x	↓	3:	10.0	↙	4:	10.6x	↑	5:	10.8x	←	6:	10.1	→	7:	10.6x	↘	8:	10.1	↗	9:	10.2x	↗	10:	10.1	↖	<b>Series</b>		<b>100 ( 6x)</b>			<b>100 ( 6x)</b>
1:	10.6x	↑																																			
2:	10.3x	↓																																			
3:	10.0	↙																																			
4:	10.6x	↑																																			
5:	10.8x	←																																			
6:	10.1	→																																			
7:	10.6x	↘																																			
8:	10.1	↗																																			
9:	10.2x	↗																																			
10:	10.1	↖																																			
<b>Series</b>		<b>100 ( 6x)</b>																																			
		<b>100 ( 6x)</b>																																			
<b>Series 2</b> 	<table style="width:100%; border-collapse: collapse;"> <tr><td style="width:5%;">1:</td><td style="width:15%;">10.3x</td><td style="width:10%; text-align: center;">↑</td></tr> <tr><td>2:</td><td>10.3x</td><td style="text-align: center;">→</td></tr> <tr><td>3:</td><td>10.3x</td><td style="text-align: center;">→</td></tr> <tr><td>4:</td><td>10.4x</td><td style="text-align: center;">←</td></tr> <tr><td>5:</td><td>10.8x</td><td style="text-align: center;">→</td></tr> <tr><td>6:</td><td>9.9</td><td style="text-align: center;">↘</td></tr> <tr><td>7:</td><td>10.1</td><td style="text-align: center;">↑</td></tr> <tr><td>8:</td><td>10.4x</td><td style="text-align: center;">←</td></tr> <tr><td>9:</td><td>10.1</td><td style="text-align: center;">→</td></tr> <tr><td>10:</td><td>10.6x</td><td style="text-align: center;">↖</td></tr> <tr><td colspan="2"><b>Series</b></td><td style="text-align: right;"><b>99 ( 7x)</b></td></tr> <tr><td colspan="2"></td><td style="text-align: right;"><b>199 (13x)</b></td></tr> </table>	1:	10.3x	↑	2:	10.3x	→	3:	10.3x	→	4:	10.4x	←	5:	10.8x	→	6:	9.9	↘	7:	10.1	↑	8:	10.4x	←	9:	10.1	→	10:	10.6x	↖	<b>Series</b>		<b>99 ( 7x)</b>			<b>199 (13x)</b>
1:	10.3x	↑																																			
2:	10.3x	→																																			
3:	10.3x	→																																			
4:	10.4x	←																																			
5:	10.8x	→																																			
6:	9.9	↘																																			
7:	10.1	↑																																			
8:	10.4x	←																																			
9:	10.1	→																																			
10:	10.6x	↖																																			
<b>Series</b>		<b>99 ( 7x)</b>																																			
		<b>199 (13x)</b>																																			
<b>Series 3</b> 	<table style="width:100%; border-collapse: collapse;"> <tr><td style="width:5%;">1:</td><td style="width:15%;">10.6x</td><td style="width:10%; text-align: center;">↑</td></tr> <tr><td>2:</td><td>10.7x</td><td style="text-align: center;">↙</td></tr> <tr><td>3:</td><td>10.4x</td><td style="text-align: center;">↑</td></tr> <tr><td>4:</td><td>10.4x</td><td style="text-align: center;">↓</td></tr> <tr><td>5:</td><td>10.2x</td><td style="text-align: center;">→</td></tr> <tr><td>6:</td><td>10.0</td><td style="text-align: center;">↓</td></tr> <tr><td>7:</td><td>10.6x</td><td style="text-align: center;">↘</td></tr> <tr><td>8:</td><td>10.4x</td><td style="text-align: center;">←</td></tr> <tr><td>9:</td><td>10.0</td><td style="text-align: center;">←</td></tr> <tr><td>10:</td><td>10.8x</td><td style="text-align: center;">←</td></tr> <tr><td colspan="2"><b>Series</b></td><td style="text-align: right;"><b>100 ( 8x)</b></td></tr> <tr><td colspan="2"></td><td style="text-align: right;"><b>299 (21x)</b></td></tr> </table>	1:	10.6x	↑	2:	10.7x	↙	3:	10.4x	↑	4:	10.4x	↓	5:	10.2x	→	6:	10.0	↓	7:	10.6x	↘	8:	10.4x	←	9:	10.0	←	10:	10.8x	←	<b>Series</b>		<b>100 ( 8x)</b>			<b>299 (21x)</b>
1:	10.6x	↑																																			
2:	10.7x	↙																																			
3:	10.4x	↑																																			
4:	10.4x	↓																																			
5:	10.2x	→																																			
6:	10.0	↓																																			
7:	10.6x	↘																																			
8:	10.4x	←																																			
9:	10.0	←																																			
10:	10.8x	←																																			
<b>Series</b>		<b>100 ( 8x)</b>																																			
		<b>299 (21x)</b>																																			