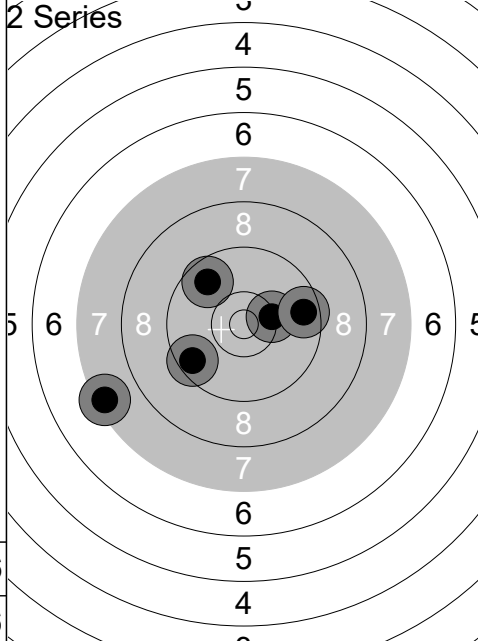
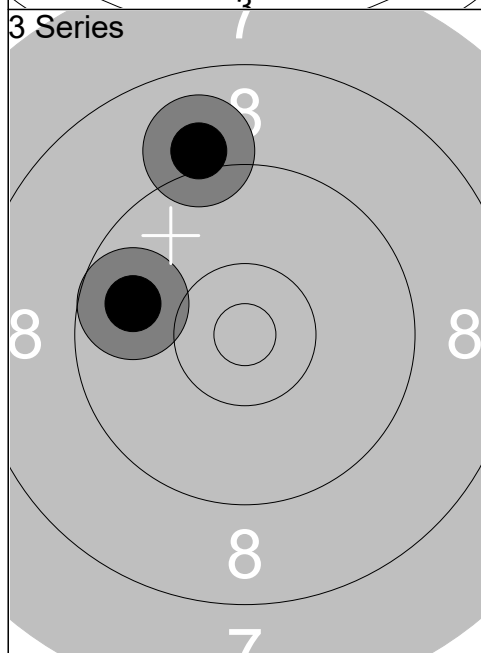


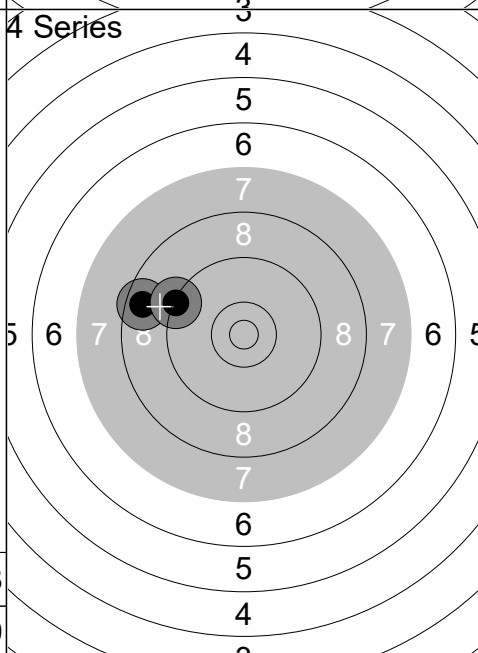
| | | |
|--------|-------|------|
| 1: | 9.2 | ↖ |
| 2: | 10.5x | → |
| 3: | 8.5 | ↗ |
| 4: | 10.4x | ↖ |
| 5: | 10.0 | ← |
| Series | | 48.6 |
| | | 48.6 |



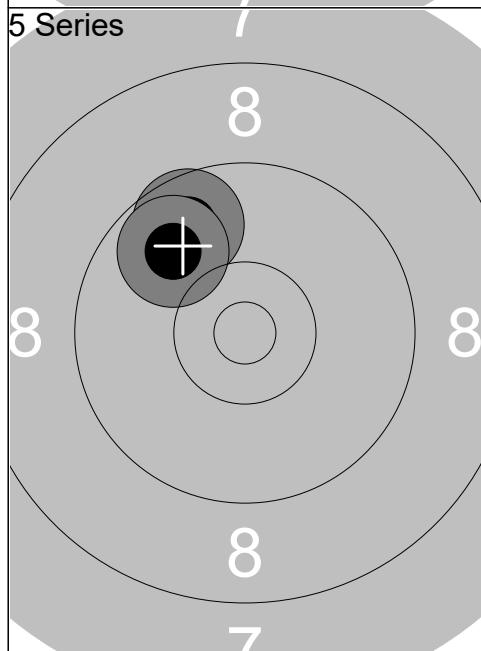
| | | |
|--------|------|------|
| 1: | 10.3 | → |
| 2: | 9.6 | → |
| 3: | 9.5 | ↖ |
| 4: | 7.4 | ↖ |
| 5: | 9.7 | ↖ |
| Series | | 46.5 |
| | | 95.1 |



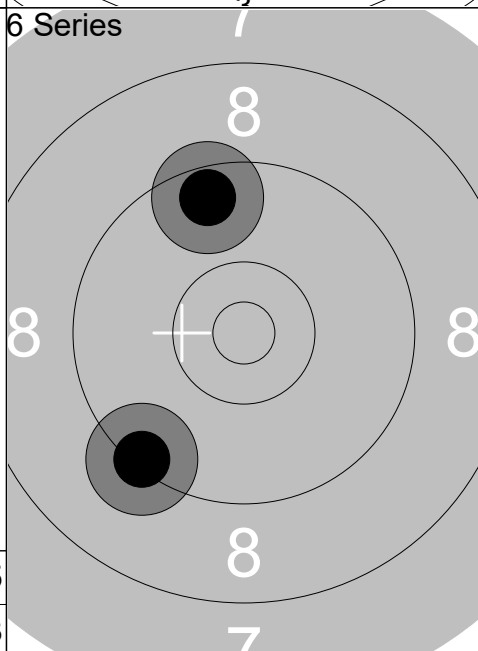
| | | |
|--------|-----|-------|
| 1: | 9.8 | ← |
| 2: | 9.0 | ↑ |
| Series | | 18.8 |
| | | 113.9 |



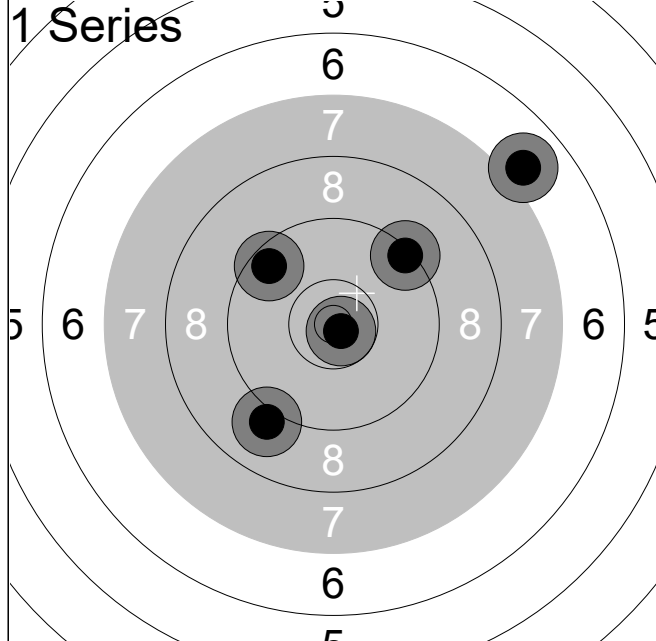
| | | |
|--------|-----|-------|
| 1: | 8.6 | ← |
| 2: | 9.3 | ↖ |
| Series | | 17.9 |
| | | 131.8 |



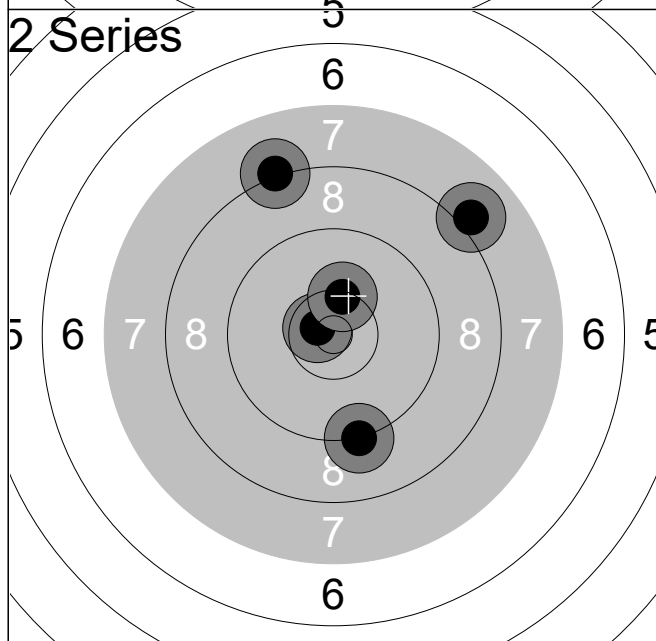
| | | |
|--------|-----|-------|
| 1: | 9.7 | ↖ |
| 2: | 9.8 | ↖ |
| Series | | 19.5 |
| | | 151.3 |



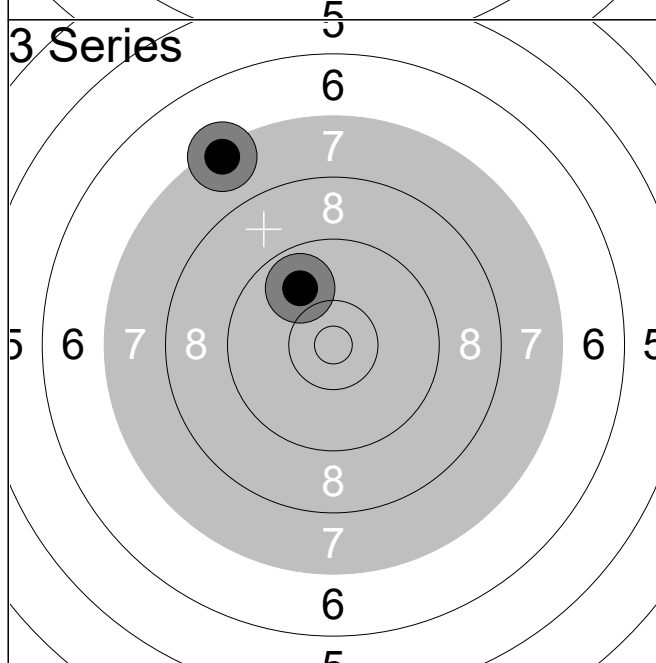
| | | |
|--------|-----|-------|
| 1: | 9.5 | ↑ |
| 2: | 9.3 | ↖ |
| Series | | 18.8 |
| | | 170.1 |



| | | |
|---------------|-------|-------------|
| 1: | 6.9 | ↗ |
| 2: | 9.3 | ↗ |
| 3: | 9.0 | ↘ |
| 4: | 9.5 | ↗ |
| 5: | 10.8x | ↘ |
| Series | | 45.5 |
| | | 45.5 |



| | | |
|---------------|-------|-------------|
| 1: | 9.2 | ↘ |
| 2: | 10.7x | ↖ |
| 3: | 8.2 | ↗ |
| 4: | 10.3 | ↗ |
| 5: | 8.0 | ↗ |
| Series | | 46.4 |
| | | 91.9 |

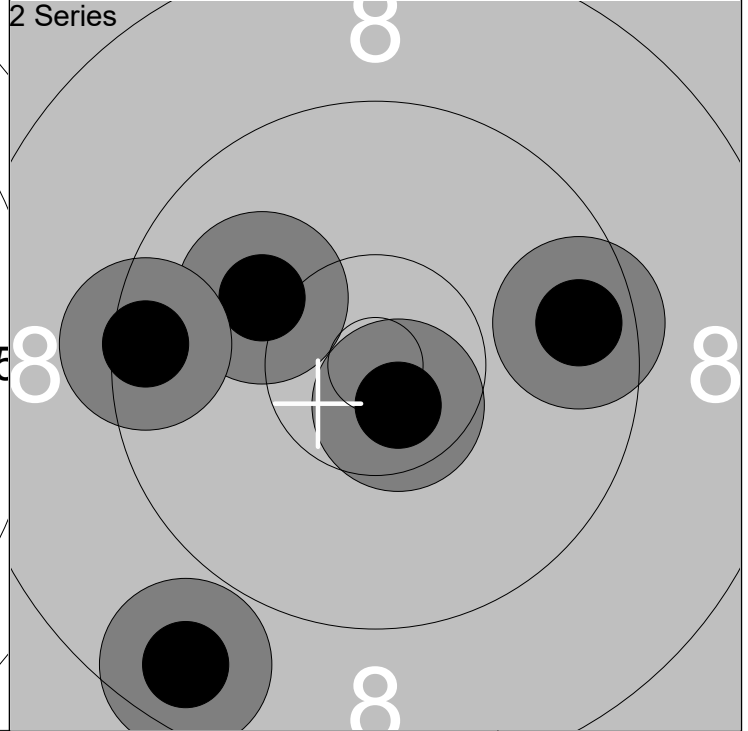
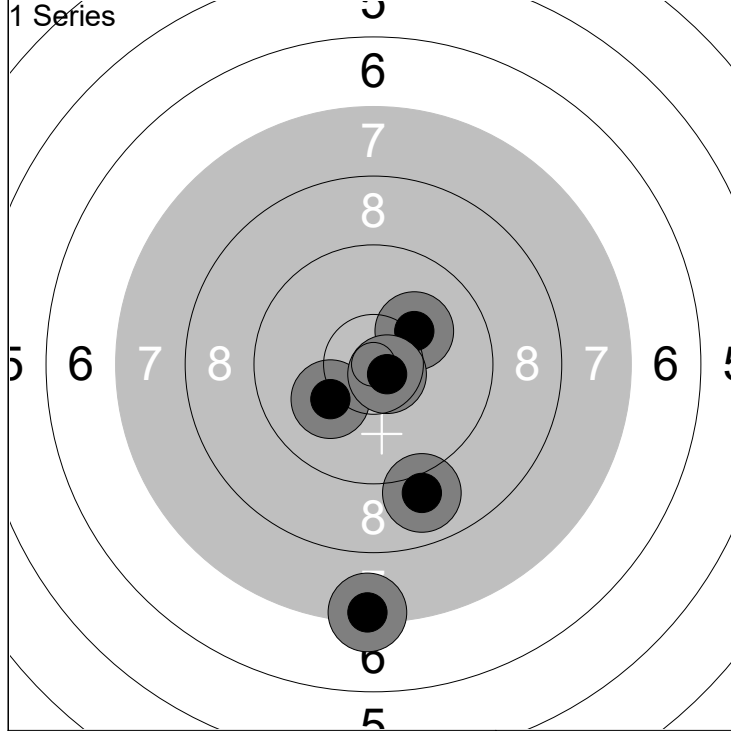


| | | |
|---------------|-----|--------------|
| 1: | 9.9 | ↗ |
| 2: | 7.4 | ↗ |
| Series | | 17.3 |
| | | 109.2 |

| | | | | | |
|-------------------|------------------|------------------------|--|--|--|
| Relay 1 | Lane 3 | Buster Antonsen | | | |
|-------------------|------------------|------------------------|--|--|--|

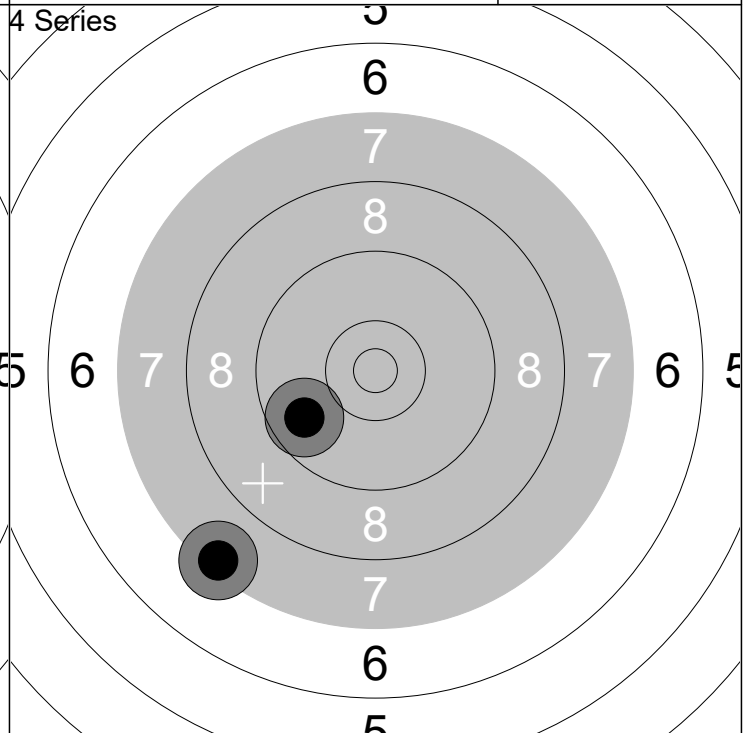
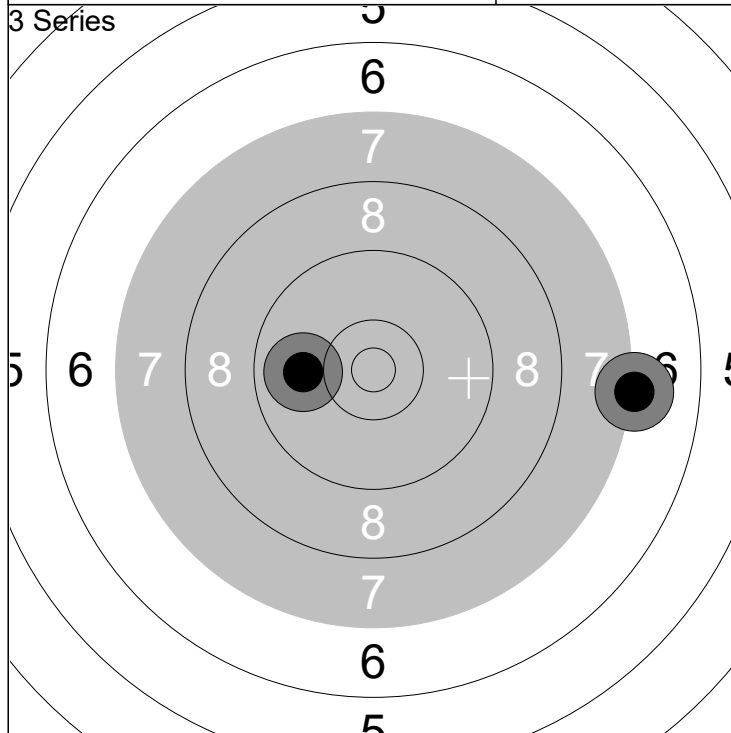
| | | | |
|------------------------|-----|----|--------|
| 4 Air Final Pistol Men | DEN | Mp | Pistol |
|------------------------|-----|----|--------|

| | | |
|------------|------------------------|-----------------------|
| 16.02.2024 | Denmark Open Air Day 1 | Denmark Open Air 2024 |
|------------|------------------------|-----------------------|



| | | | |
|------------|--|--------|------|
| 1: 9.0 ↓ | | Series | 47.4 |
| 2: 10.1 ↙ | | | |
| 3: 7.4 ↓ | | | |
| 4: 10.2 ↗ | | | 47.4 |
| 5: 10.7x ↘ | | | |

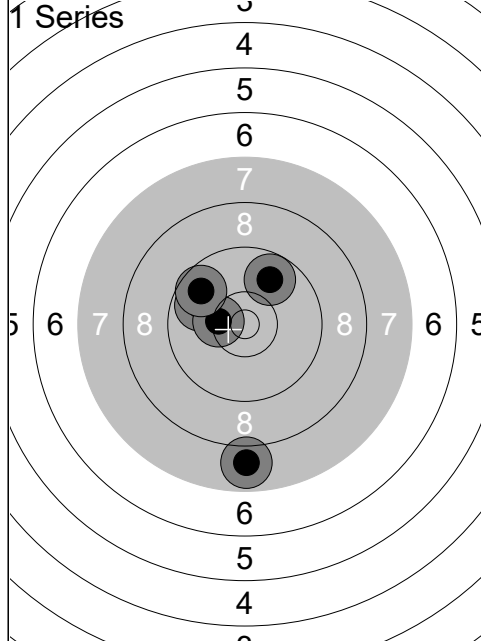
| | | | |
|------------|--|--------|------|
| 1: 10.1 ↖ | | Series | 48.3 |
| 2: 8.6 ↓ | | | |
| 3: 9.6 → | | | |
| 4: 9.4 ← | | | 95.7 |
| 5: 10.6x ↓ | | | |



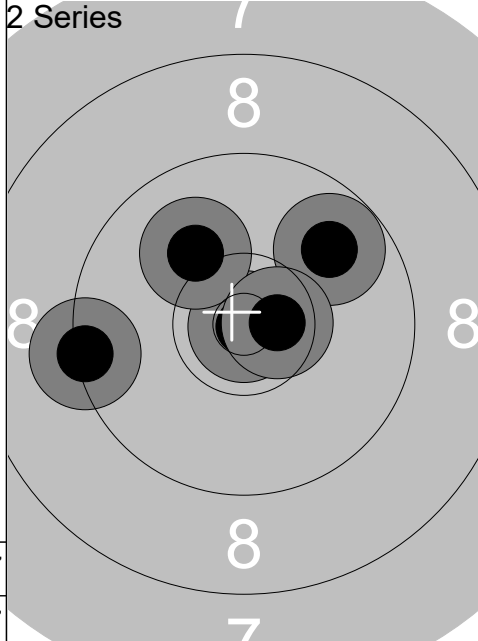
| | | | |
|----------|--|--------|-------|
| 1: 7.2 → | | Series | 17.1 |
| 2: 9.9 ← | | | |
| | | | 112.8 |

| | | | |
|----------|--|--------|-------|
| 1: 7.4 ↙ | | Series | 17.1 |
| 2: 9.7 ↙ | | | |
| | | | 129.9 |

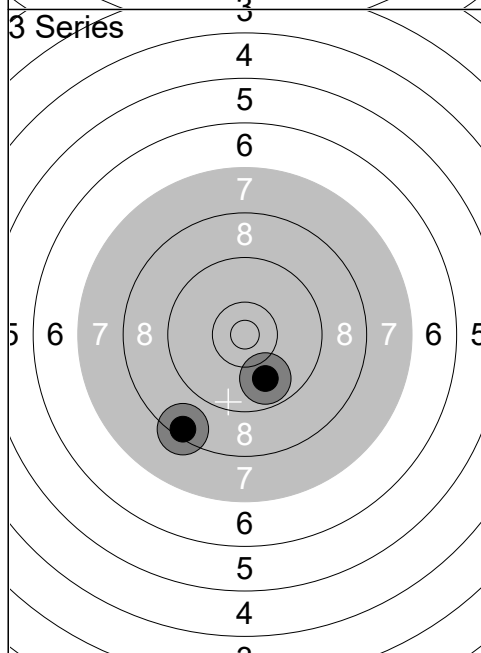
| Relay | Lane | Isac Ahlqvist | | |
|---------------------|------------------------|-----------------------|------------|--------|
| 1 | 4 | SWE | Mp | Pistol |
| 16.02.2024 | Denmark Open Air Day 1 | Denmark Open Air 2024 | | |
| 1 Series | 1: 9.5 ↗ | 2 Series | 1: 9.6 ↗ | |
| | 2: 9.8 ↘ | | 2: 9.3 ← | |
| | 3: 9.7 ↘ | | 3: 9.3 ↑ | |
| | 4: 9.7 ↘ | | 4: 10.0 ↑ | |
| | 5: 9.7 ↗ | | 5: 10.8x ← | |
| Series | 48.4 | Series | 49.0 | |
| | 48.4 | | 97.4 | |
| 3 Series | 1: 8.7 ↗ | 4 Series | 1: 10.3 → | |
| | 2: 10.2 ↓ | | 2: 9.5 ↘ | |
| | Series | | 18.9 | Series |
| | 116.3 | | 136.1 | |
| 5 Series | 1: 10.4x ↓ | 6 Series | 1: 9.0 ← | |
| | 2: 8.6 ↓ | | 2: 9.1 ↓ | |
| | Series | | 19.0 | Series |
| | 155.1 | | 173.2 | |
| 7 Series | 1: 10.3 ↓ | | | |
| | 2: 9.3 ↘ | | | |
| | Series | 19.6 | | |
| | 192.8 | | | |



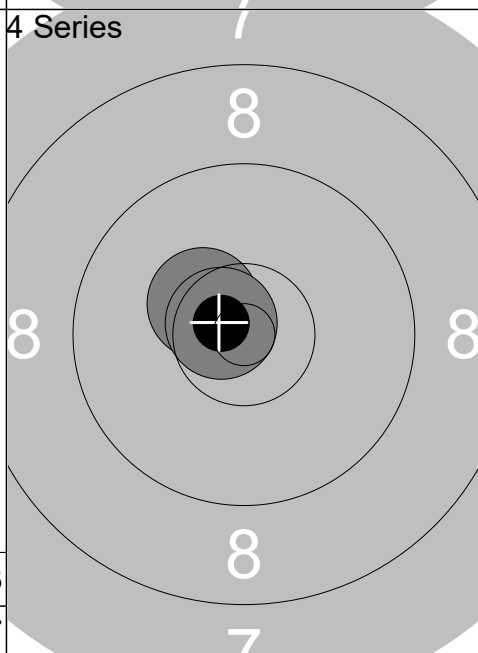
| |
|--------------------|
| 1: 9.8 ↗ |
| 2: 7.9 ↓ |
| 3: 9.9 ↖ |
| 4: 10.4x ← |
| 5: 9.7 ↖ |
| Series 47.7 |
| 47.7 |



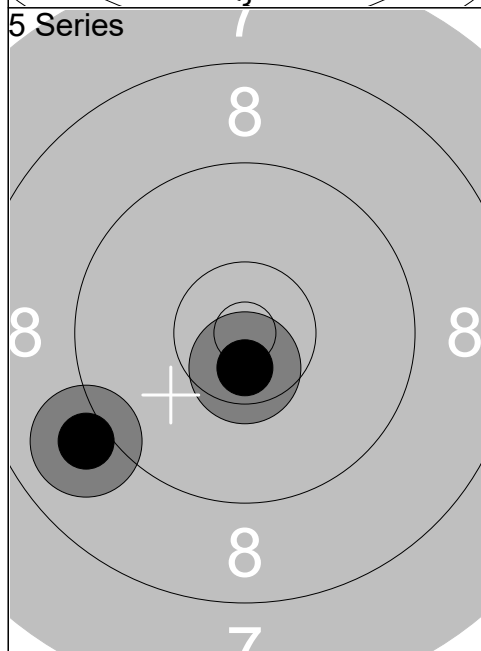
| |
|--------------------|
| 1: 10.9x ↓ |
| 2: 9.8 ↗ |
| 3: 10.1 ↖ |
| 4: 9.3 ← |
| 5: 10.6x → |
| Series 50.7 |
| 98.4 |



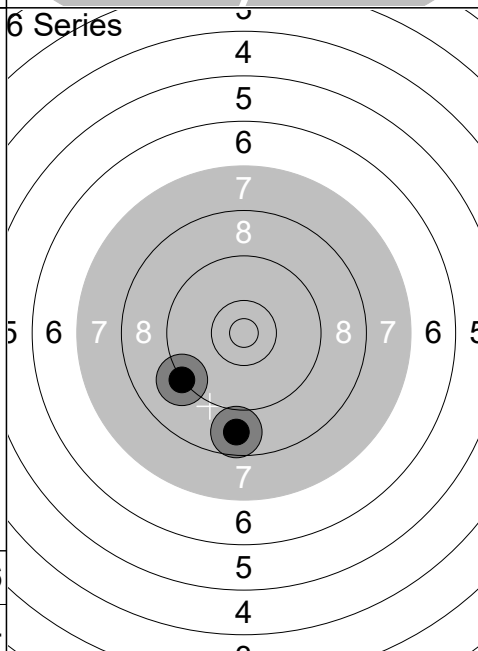
| |
|--------------------|
| 1: 8.4 ↘ |
| 2: 9.9 ↓ |
| Series 18.3 |
| 116.7 |



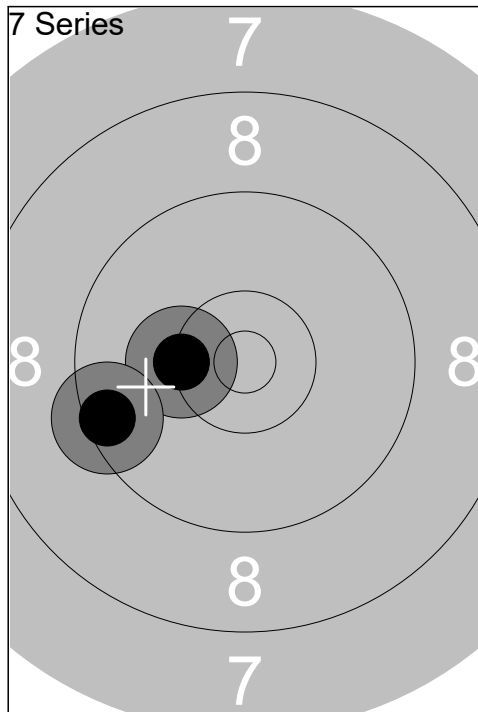
| |
|--------------------|
| 1: 10.4x ↖ |
| 2: 10.7x ↖ |
| Series 21.1 |
| 137.8 |



| |
|--------------------|
| 1: 9.0 ↖ |
| 2: 10.6x ↓ |
| Series 19.6 |
| 157.4 |

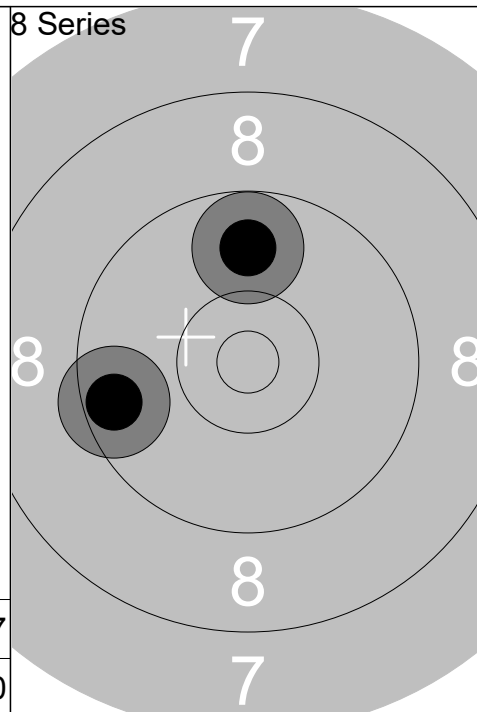


| |
|--------------------|
| 1: 8.7 ↓ |
| 2: 9.2 ↖ |
| Series 17.9 |
| 175.3 |



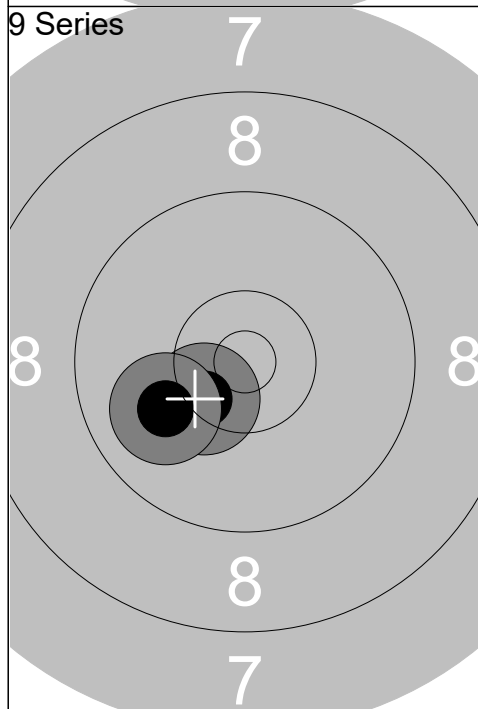
1: 10.3 ←
2: 9.4 ←

| | |
|--------|-------|
| Series | 19.7 |
| | 195.0 |



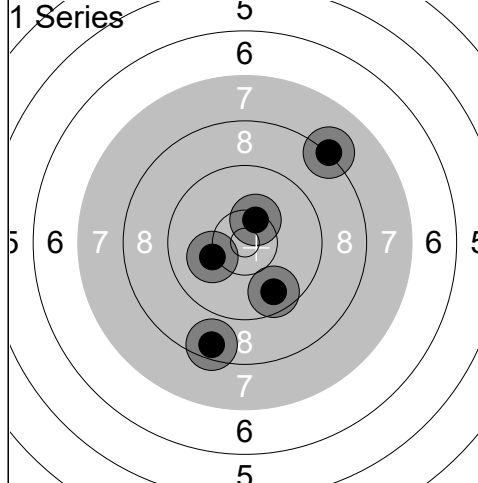
1: 9.5 ←
2: 9.8 ↑

| | |
|--------|-------|
| Series | 19.3 |
| | 214.3 |



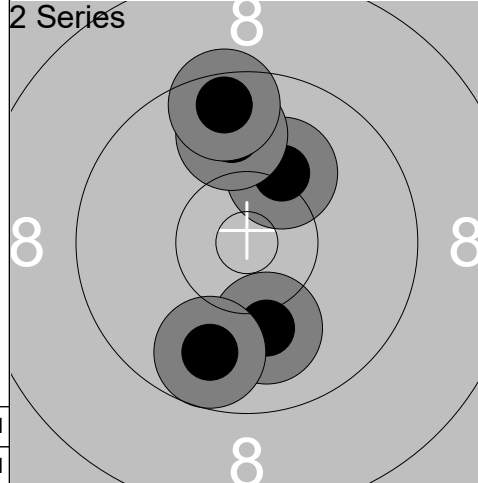
1: 10.4x ↙
2: 10.0 ←

| | |
|--------|-------|
| Series | 20.4 |
| | 234.7 |



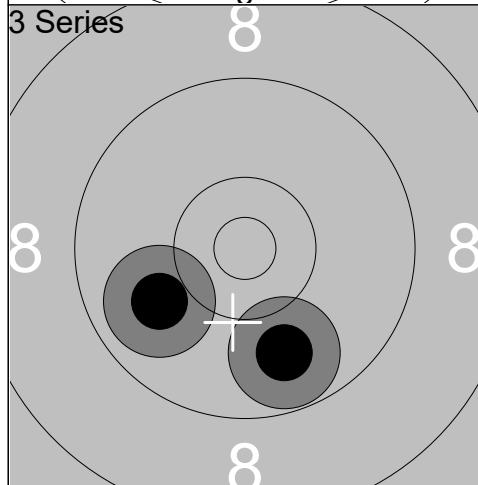
| | | |
|----|-------|---|
| 1: | 10.2 | ↖ |
| 2: | 10.4x | ↗ |
| 3: | 9.7 | ↘ |
| 4: | 8.2 | ↗ |
| 5: | 8.6 | ↘ |

| | |
|--------|------|
| Series | 47.1 |
| | 47.1 |



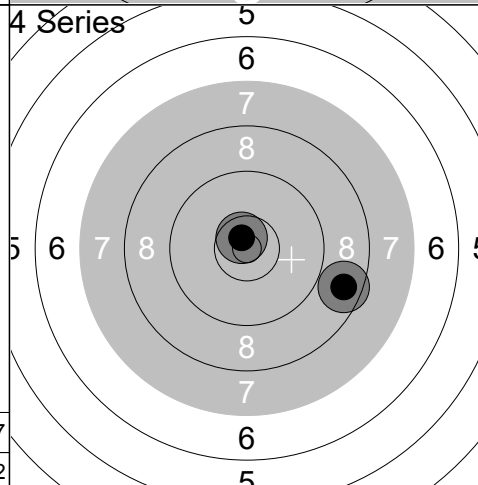
| | | |
|----|------|---|
| 1: | 10.1 | ↘ |
| 2: | 10.2 | ↗ |
| 3: | 9.8 | ↗ |
| 4: | 9.8 | ↘ |
| 5: | 9.5 | ↗ |

| | |
|--------|------|
| Series | 49.4 |
| | 96.5 |



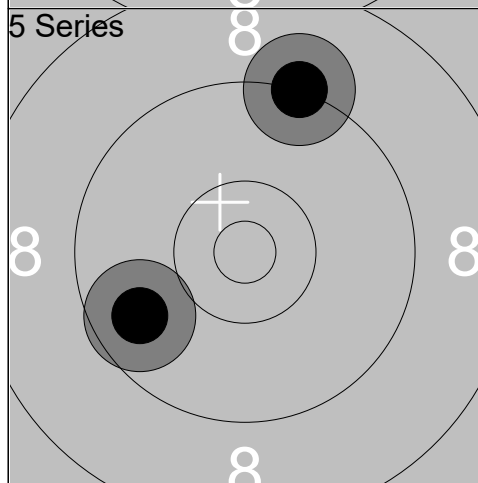
| | | |
|----|-----|---|
| 1: | 9.9 | ↖ |
| 2: | 9.8 | ↘ |

| | |
|--------|-------|
| Series | 19.7 |
| | 116.2 |



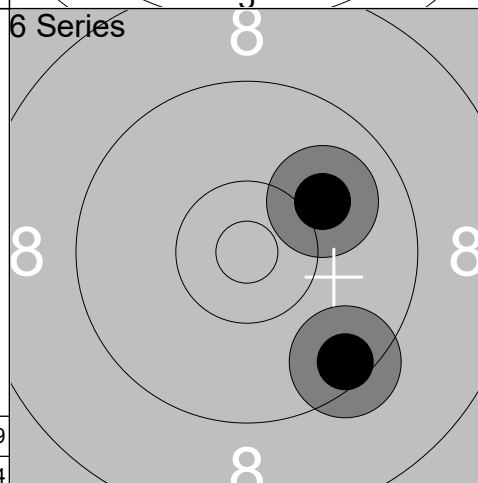
| | | |
|----|-------|---|
| 1: | 10.7x | ↗ |
| 2: | 8.6 | ↘ |

| | |
|--------|-------|
| Series | 19.3 |
| | 135.5 |



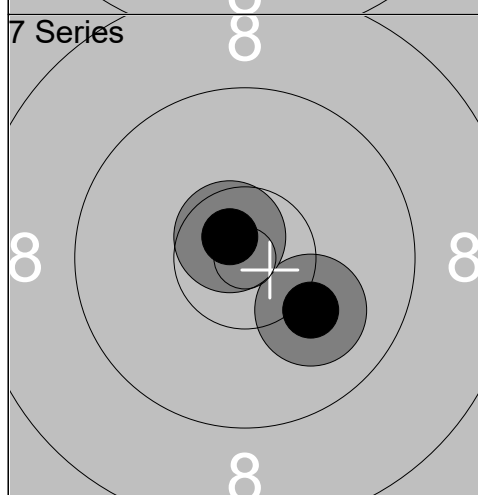
| | | |
|----|-----|---|
| 1: | 9.2 | ↗ |
| 2: | 9.7 | ↖ |

| | |
|--------|-------|
| Series | 18.9 |
| | 154.4 |



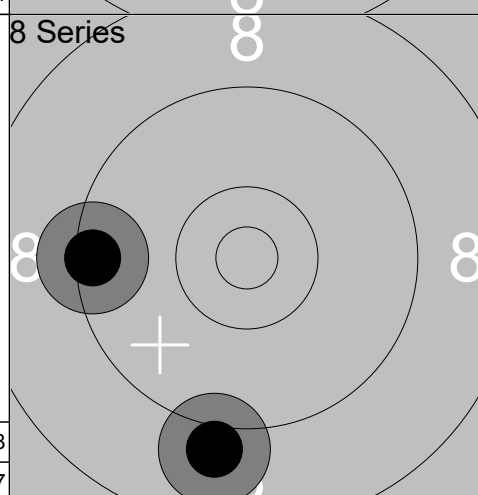
| | | |
|----|------|---|
| 1: | 10.0 | ↗ |
| 2: | 9.5 | ↘ |

| | |
|--------|-------|
| Series | 19.5 |
| | 173.9 |



| | | |
|----|-------|---|
| 1: | 10.1 | ↘ |
| 2: | 10.7x | ↗ |

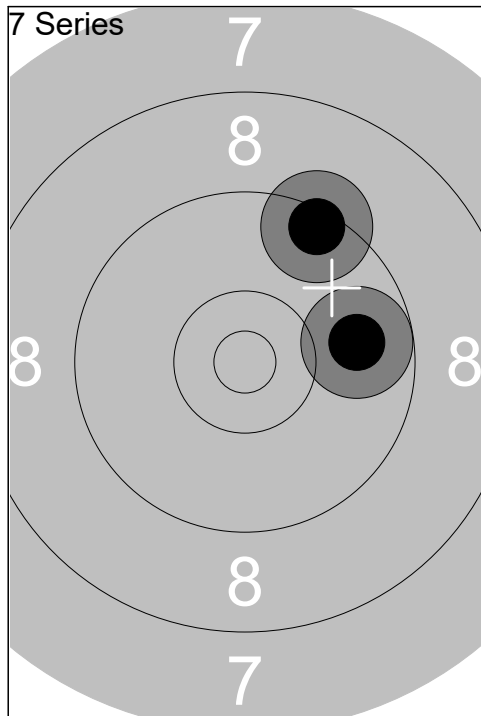
| | |
|--------|-------|
| Series | 20.8 |
| | 194.7 |



| | | |
|----|-----|---|
| 1: | 9.0 | ↘ |
| 2: | 9.4 | ↖ |

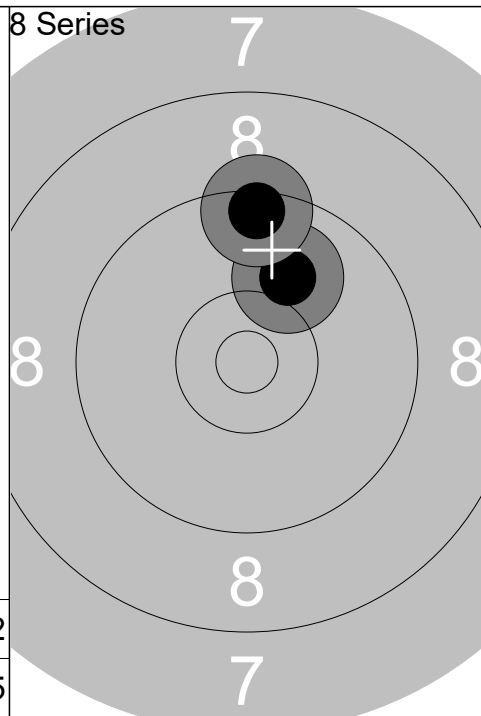
| | |
|--------|-------|
| Series | 18.4 |
| | 213.1 |

| Relay | Lane | Arjun Singh Cheema | | |
|------------|------------------------|---|-------------|---|
| 1 | 7 | IND | Mp | Pistol |
| 16.02.2024 | Denmark Open Air Day 1 | Denmark Open Air 2024 | | |
| 1 Series | | 1: 9.8 ↑ 2: 10.4x ↗ 3: 9.7 → 4: 9.9 → 5: 10.2 ← | 2 Series | 1: 10.1 ↑ 2: 10.2 ↗ 3: 10.2 ↑ 4: 9.9 ↑ 5: 9.7 ↓ |
| | Series 50.0 | | Series 50.1 | |
| | 50.0 | | 100.1 | |
| 3 Series | | 1: 9.4 ↓ 2: 9.5 ↑ | 4 Series | 1: 9.9 ↓ 2: 10.5x ↓ |
| | Series 18.9 | | Series 20.4 | |
| | 119.0 | | 139.4 | |
| 5 Series | | 1: 10.0 ↓ 2: 9.9 ↓ | 6 Series | 1: 10.2 ↓ 2: 10.8x ↗ |
| | Series 19.9 | | Series 21.0 | |
| | 159.3 | | 180.3 | |



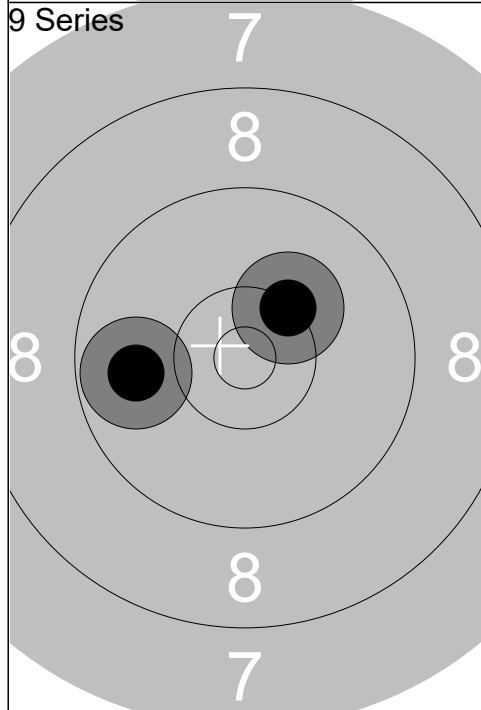
1: 9.4 ↗
2: 9.8 →

| | |
|--------|-------|
| Series | 19.2 |
| | 199.5 |



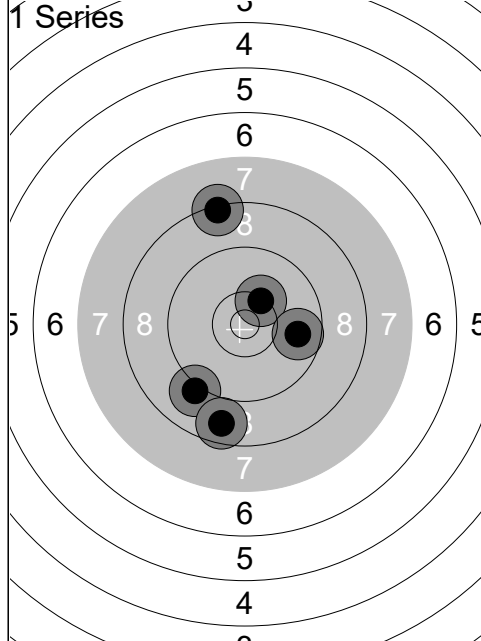
1: 10.0 ↗
2: 9.4 ↑

| | |
|--------|-------|
| Series | 19.4 |
| | 218.9 |

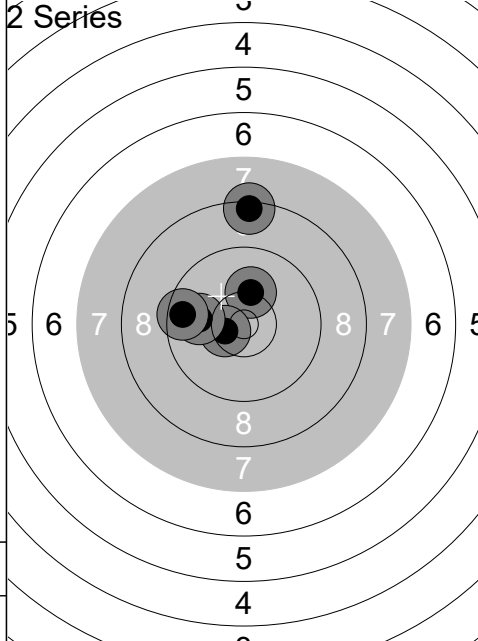


1: 9.8 ←
2: 10.3 ↗

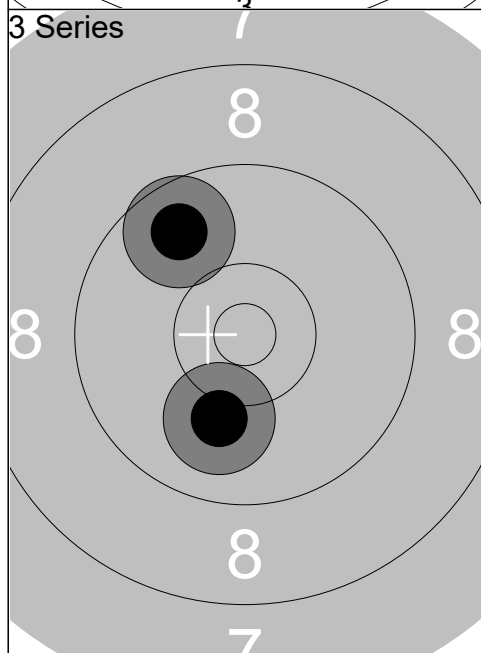
| | |
|--------|-------|
| Series | 20.1 |
| | 239.0 |



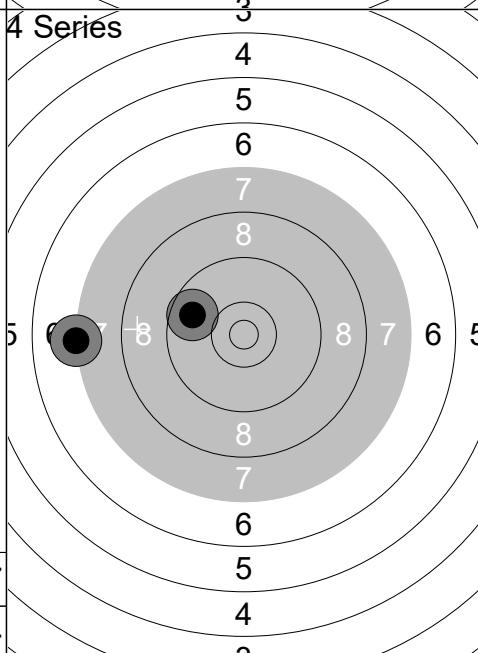
| | | |
|---------------|------|-------------|
| 1: | 10.3 | ↗ |
| 2: | 9.7 | → |
| 3: | 9.1 | ↘ |
| 4: | 8.3 | ↑ |
| 5: | 8.7 | ↓ |
| Series | | 46.1 |
| | | 46.1 |



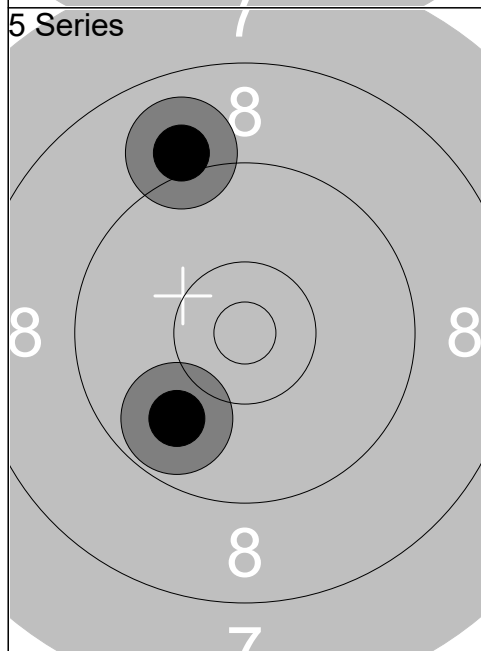
| | | |
|---------------|-------|-------------|
| 1: | 10.2 | ↑ |
| 2: | 10.5x | ↙ |
| 3: | 9.9 | ← |
| 4: | 9.6 | ← |
| 5: | 8.4 | ↑ |
| Series | | 48.6 |
| | | 94.7 |



| | | |
|---------------|------|--------------|
| 1: | 10.0 | ↓ |
| 2: | 9.7 | ↖ |
| Series | | 19.7 |
| | | 114.4 |



| | | |
|---------------|-----|--------------|
| 1: | 7.2 | ← |
| 2: | 9.7 | ↙ |
| Series | | 16.9 |
| | | 131.3 |



| | | |
|---------------|-----|--------------|
| 1: | 9.8 | ↘ |
| 2: | 9.0 | ↖ |
| Series | | 18.8 |
| | | 150.1 |