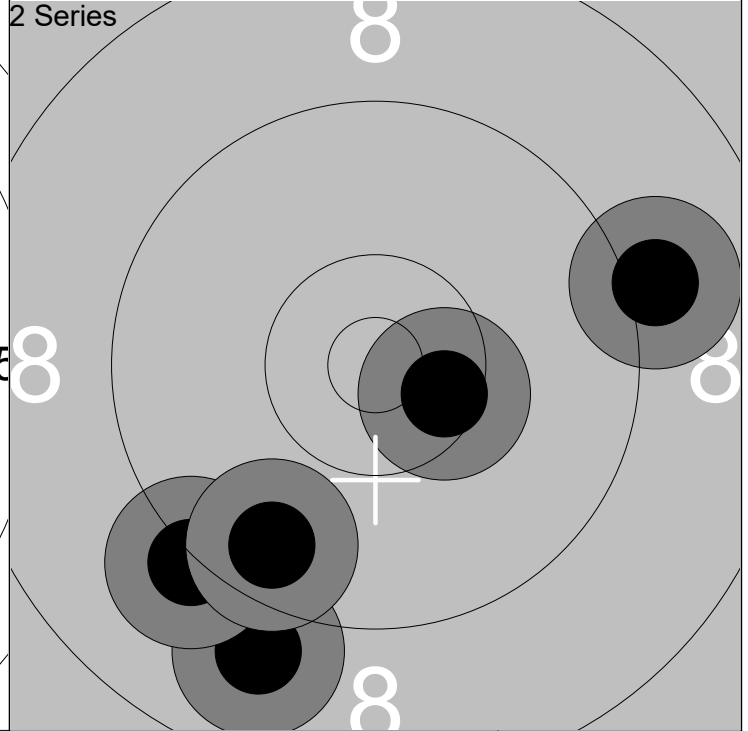
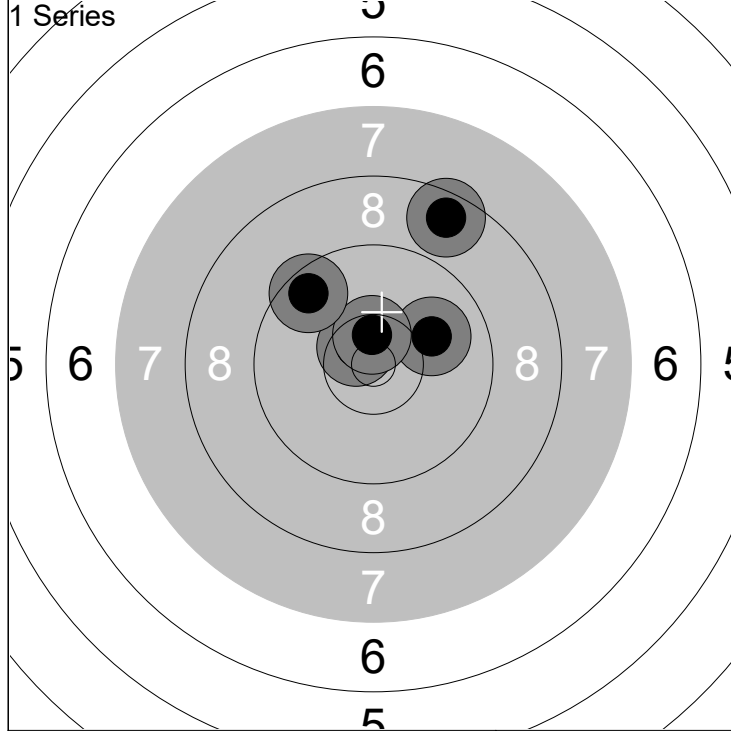


Relay <b>1</b>	Lane <b>1</b>	<b>Anders Kruse Christensen</b>		
-------------------	------------------	---------------------------------	--	--

4 Air Final Pistol Men	DEN	Mp	Pistol
------------------------	-----	----	--------

17.02.2024	Denmark Open Air Day 02	Denmark Open Air 2024
------------	-------------------------	-----------------------

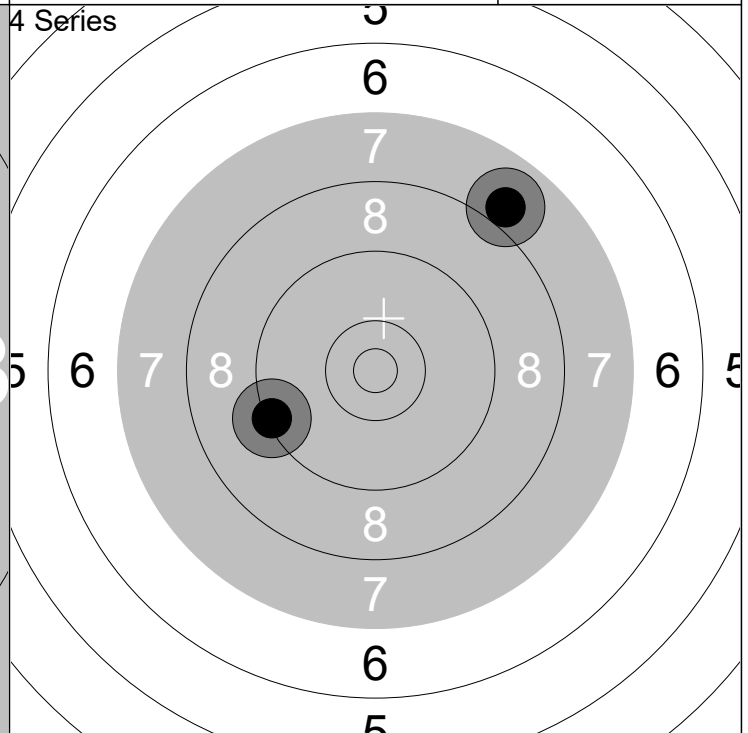
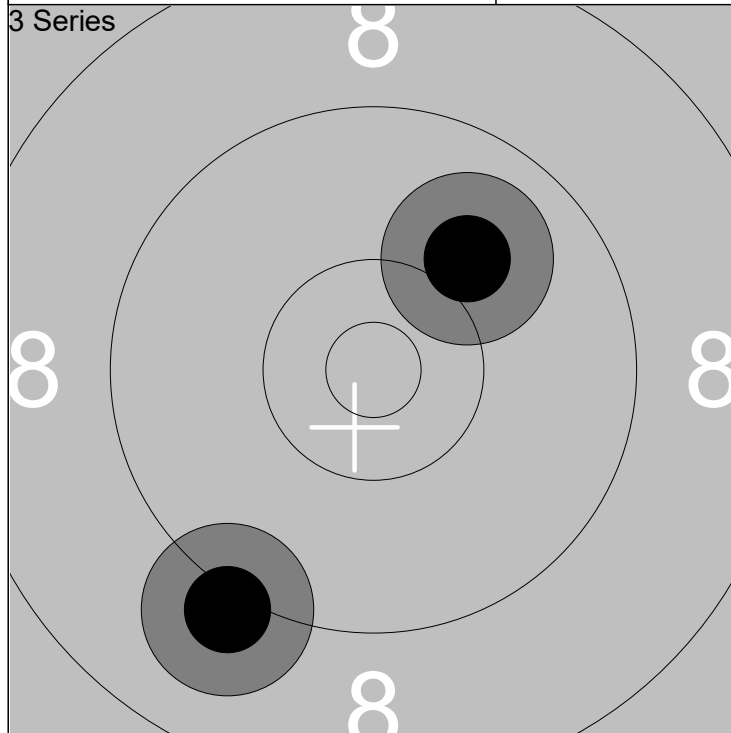


1: 10.6x ↖
2: 10.0 →
3: 8.6 ↗
4: 10.5x ↑
5: 9.5 ↖

Series	49.2
	49.2

1: 9.0 →
2: 8.9 ↓
3: 10.5x →
4: 9.2 ↙
5: 9.6 ↙

Series	47.2
	96.4

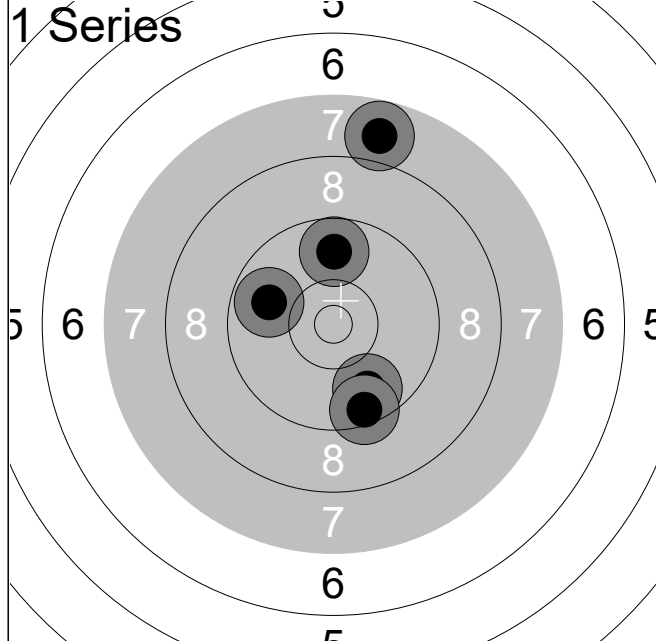


1: 10.0 ↗
2: 9.1 ↓

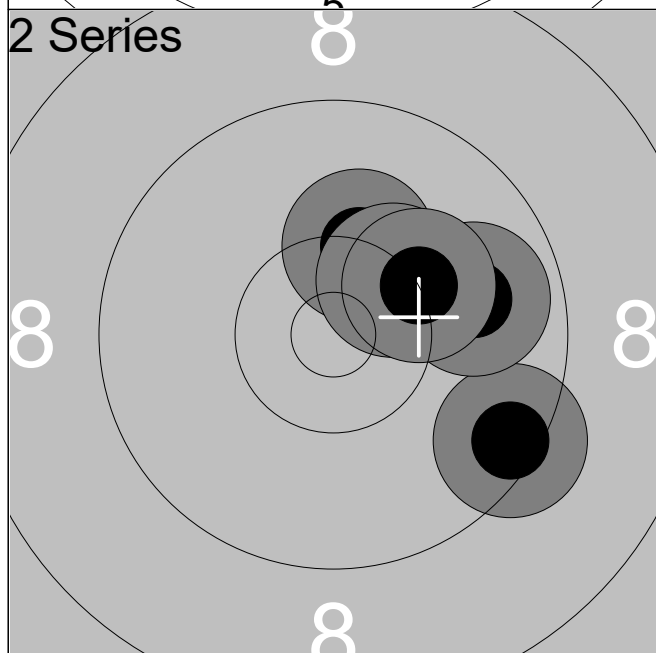
Series	19.1
	115.5

1: 7.9 ↗
2: 9.3 ←

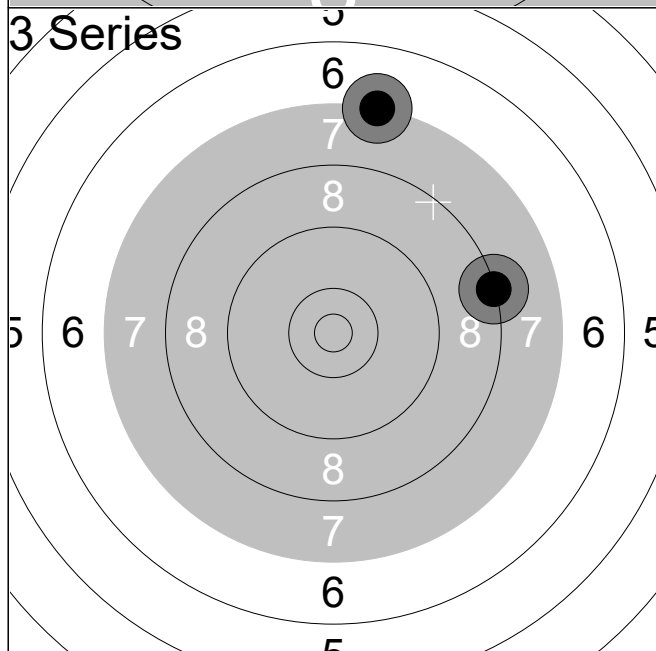
Series	17.2
	132.7



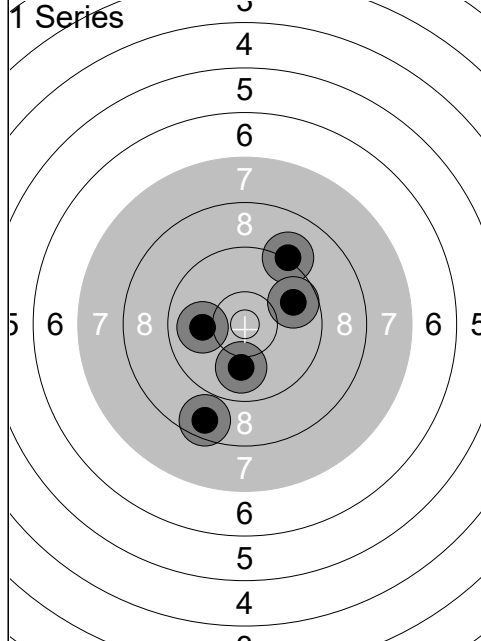
1:	9.8	↘
2:	9.5	↘
3:	9.8	↖
4:	9.8	↑
5:	7.8	↑
<b>Series</b>		<b>46.7</b>
		<b>46.7</b>



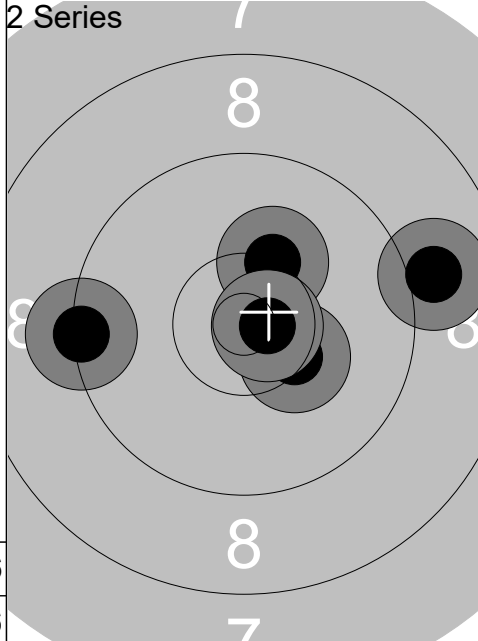
1:	10.3	↑
2:	9.4	↘
3:	10.3	↗
4:	9.9	→
5:	10.2	↗
<b>Series</b>		<b>50.1</b>
		<b>96.8</b>



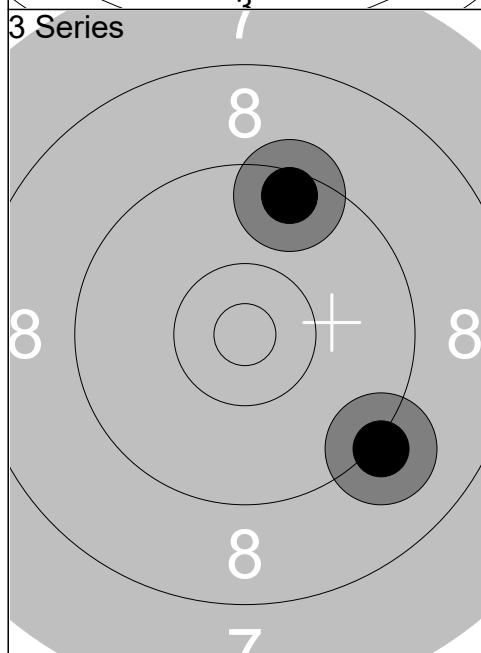
1:	7.2	↑
2:	8.2	→
<b>Series</b>		<b>15.4</b>
		<b>112.2</b>



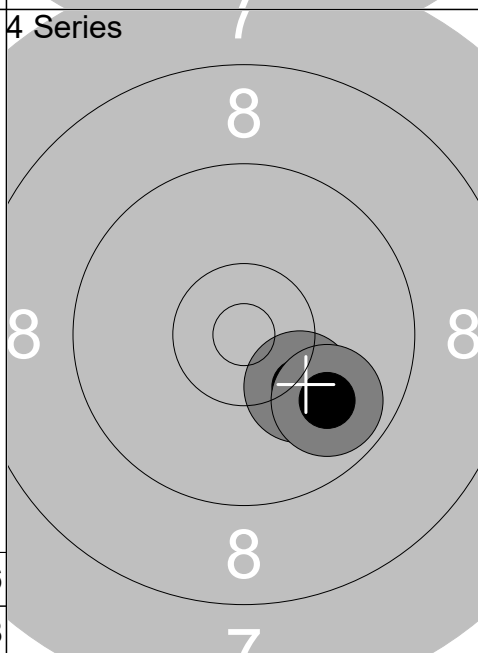
1: 8.6	↘
2: 10.0	↘
3: 9.2	↗
4: 9.8	↗
5: 10.0	←
<b>Series 47.6</b>	
47.6	



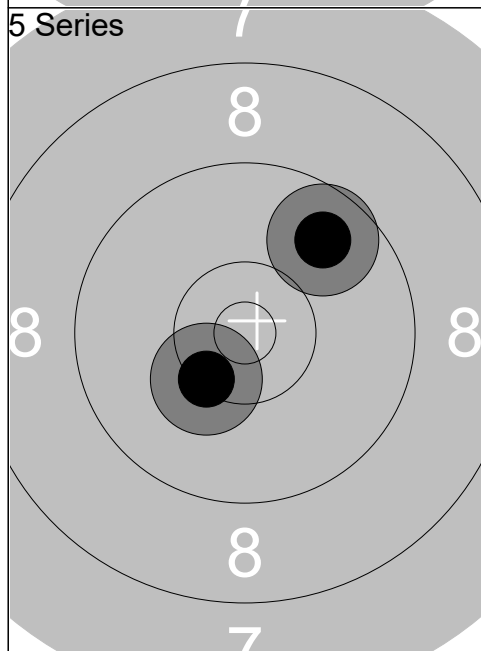
1: 10.3	↗
2: 9.3	←
3: 10.3	↘
4: 10.7x	→
5: 9.0	→
<b>Series 49.6</b>	
97.2	



1: 9.5	↗
2: 9.1	↘
<b>Series 18.6</b>	
115.8	

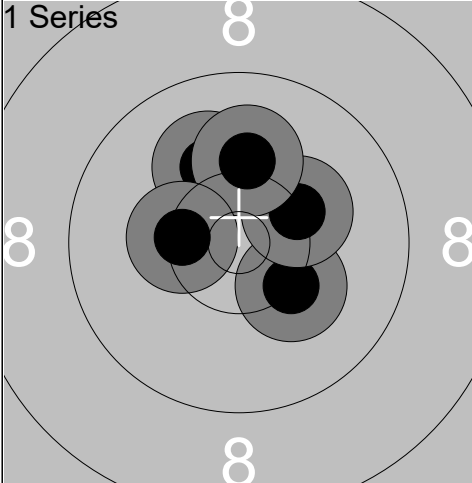
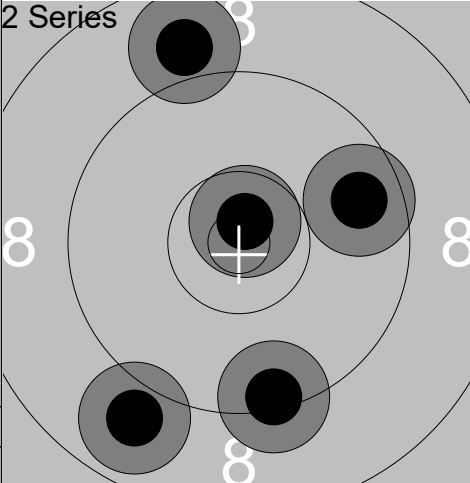
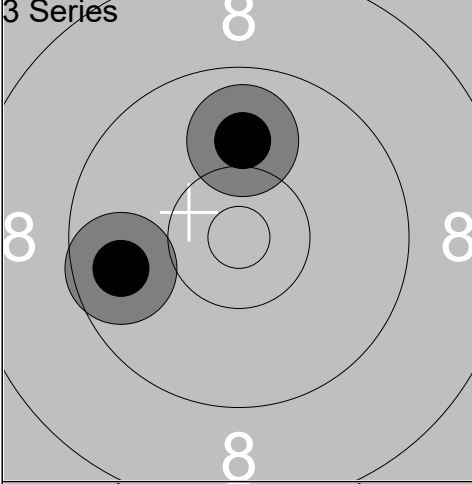
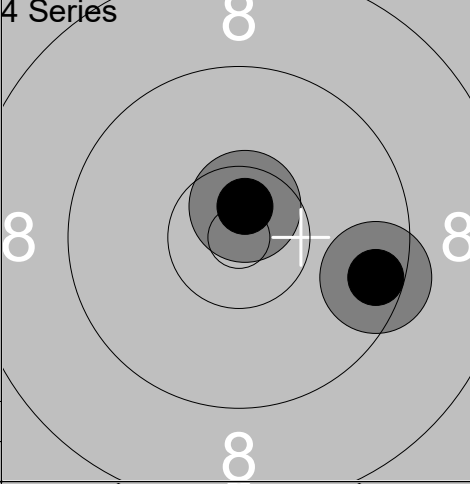
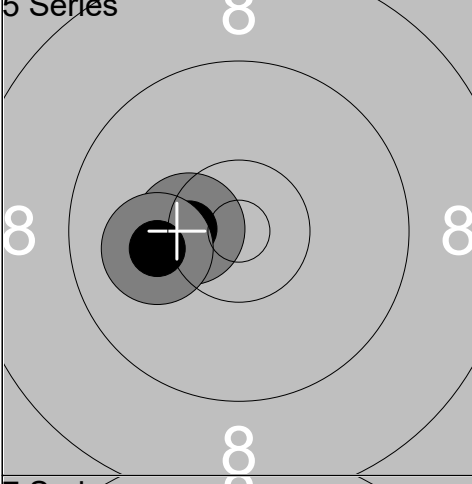
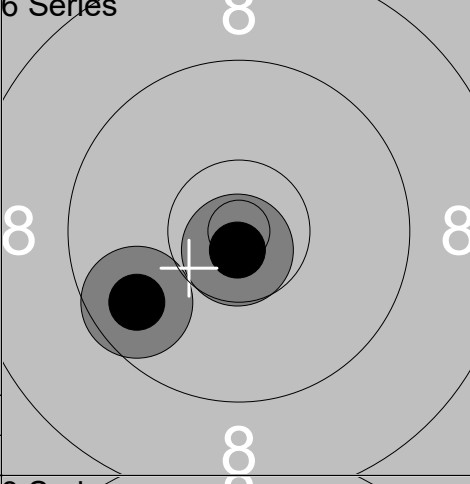
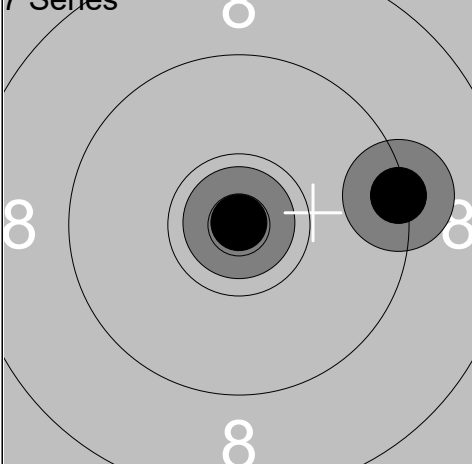
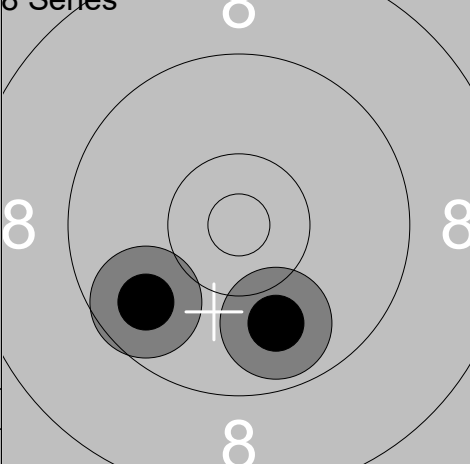


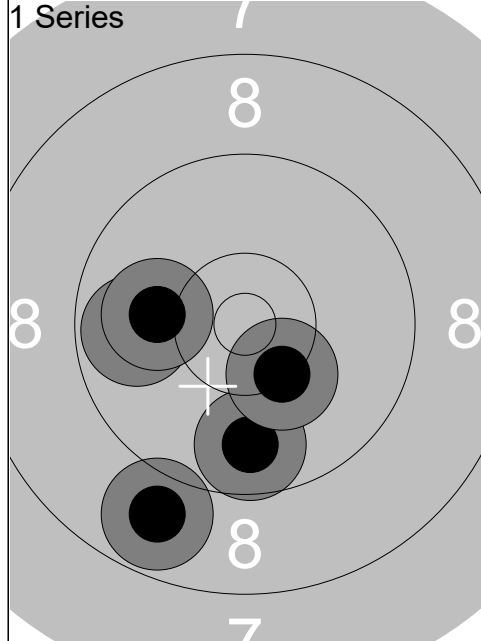
1: 10.2	↘
2: 9.9	↘
<b>Series 20.1</b>	
135.9	



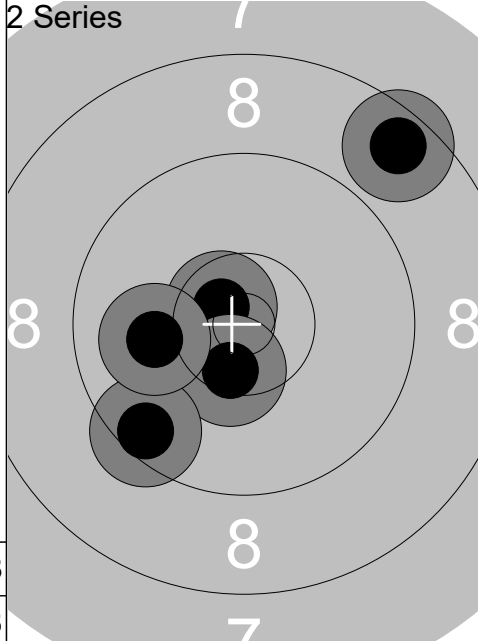
1: 9.7	↗
2: 10.3	↘
<b>Series 20.0</b>	
155.9	

Relay	Lane	Amine Adjabi		
4 Air Final Pistol Men		ALG	Mp	Pistol
17.02.2024		Denmark Open Air Day 02	Denmark Open Air 2024	
1 Series 	1: 9.6 ←	2 Series 	1: 9.9 ↘	
	2: 10.2 →		2: 10.6x ←←	
	3: 10.3 ←		3: 10.0 ←	
	4: 10.0 ↖		4: 9.9 ↘	
	5: 7.9 ←		5: 10.8x ↗	
	Series 48.0		Series 51.2	
	48.0		99.2	
3 Series 	1: 9.8 →	4 Series 	1: 9.0 →	
	2: 10.1 →		2: 10.1 ↘	
	Series 19.9		Series 19.1	
	119.1		138.2	
5 Series 	1: 8.9 ←	6 Series 	1: 9.5 ↘	
	2: 10.7x ←←		2: 10.0 ↗	
	Series 19.6		Series 19.5	
	157.8		177.3	

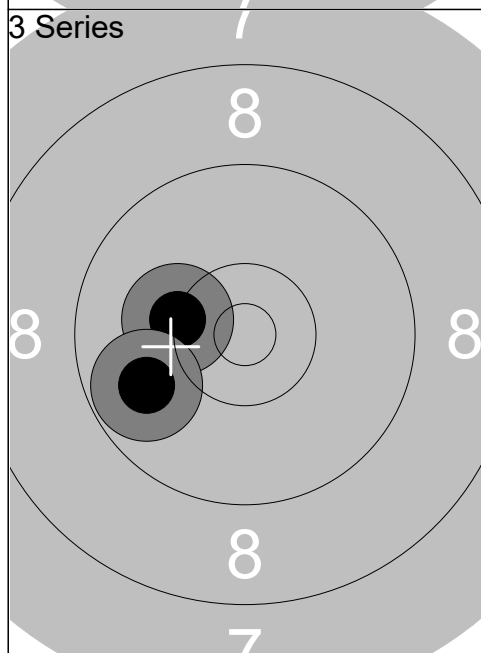
Relay	Lane	Arjun Singh Cheema			
1	5	4 Air Final Pistol Men	IND	Mp	Pistol
17.02.2024		Denmark Open Air Day 02		Denmark Open Air 2024	
1 Series		1: 10.1 ↗	2 Series		1: 8.9 ↘
		2: 10.3 ↘			2: 9.4 ↓
		3: 10.3 →			3: 10.7x ↑
		4: 10.1 ↑			4: 9.7 →
		5: 10.4x ←			5: 8.9 ↑
Series		51.2	Series		47.6
		51.2			98.8
3 Series		1: 9.7 ←	4 Series		1: 10.6x ↑
		2: 10.0 ↑			2: 9.5 →
		Series			19.7
		118.5			138.6
5 Series		1: 10.4x ←	6 Series		1: 10.8x ↓
		2: 10.1 ←			2: 9.7 ↙
		Series			20.5
		159.1			179.6
7 Series		1: 9.3 →	8 Series		1: 9.7 ↙
		2: 10.9x ↑			2: 9.9 ↓
		Series			20.2
		199.8			219.4



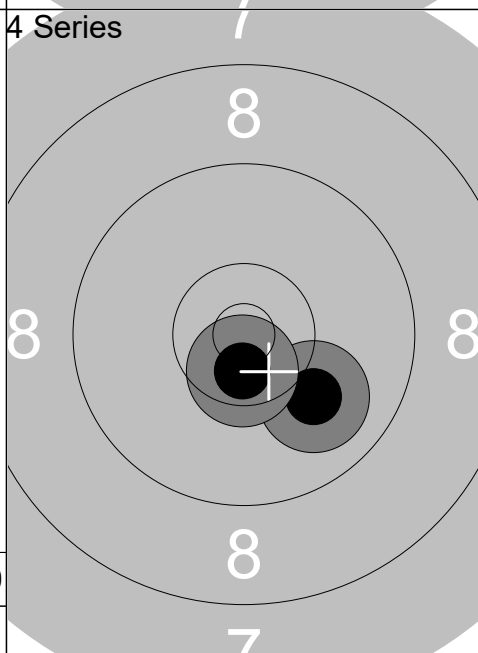
1: 8.8 ↘
2: 9.9 ←
3: 10.1 ←
4: 9.7 ↘
5: 10.3 ↘
<b>Series 48.8</b>
48.8



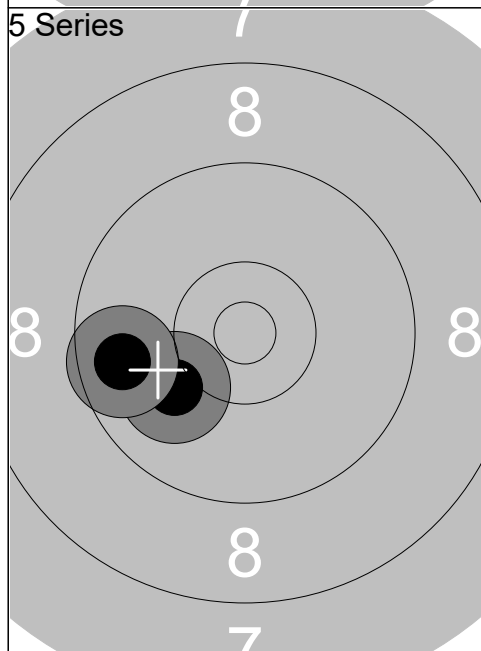
1: 10.7x ↖
2: 8.6 ↗
3: 10.5x ↘
4: 9.5 ↘
5: 10.0 ←
<b>Series 49.3</b>
98.1



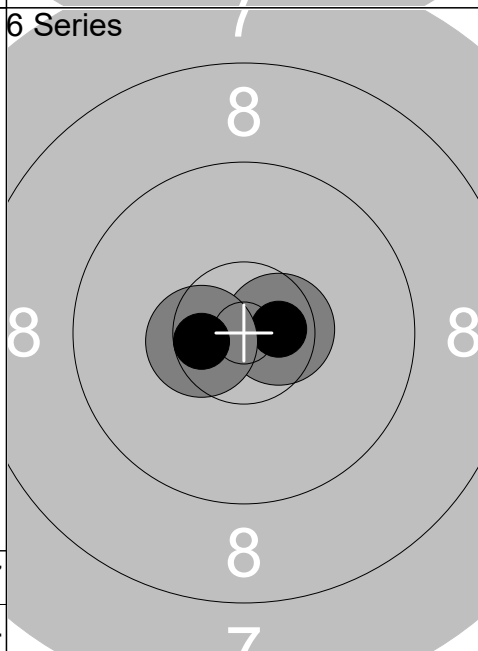
1: 10.2 ←
2: 9.8 ←
<b>Series 20.0</b>
118.1



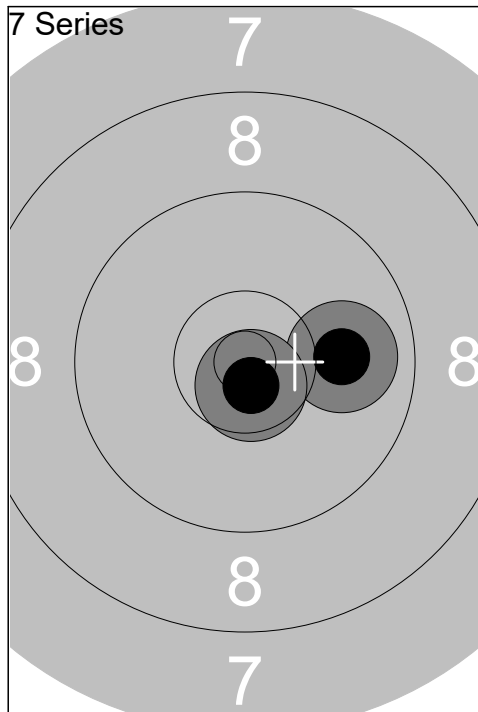
1: 10.0 ↘
2: 10.6x ↘
<b>Series 20.6</b>
138.7



1: 10.0 ↙
2: 9.7 ←
<b>Series 19.7</b>
158.4

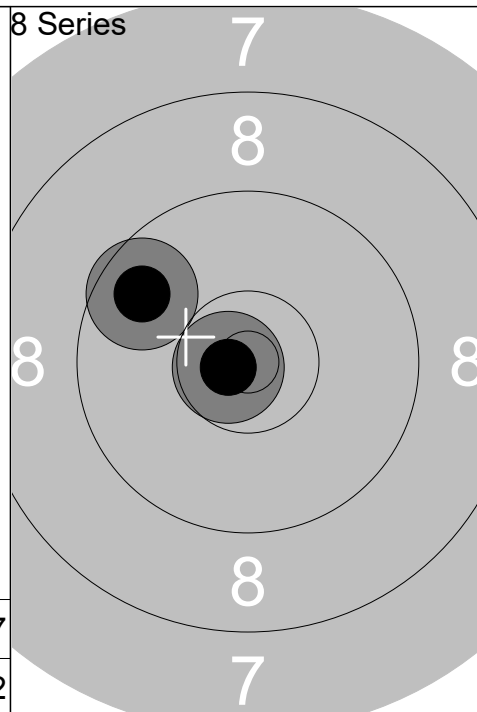


1: 10.6x →
2: 10.5x ←
<b>Series 21.1</b>
179.5



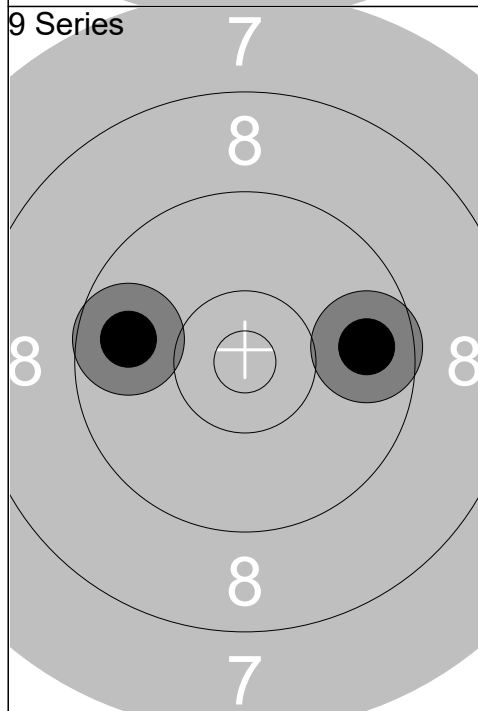
1: 10.0 →  
2: 10.7x ↓

Series	20.7
	200.2



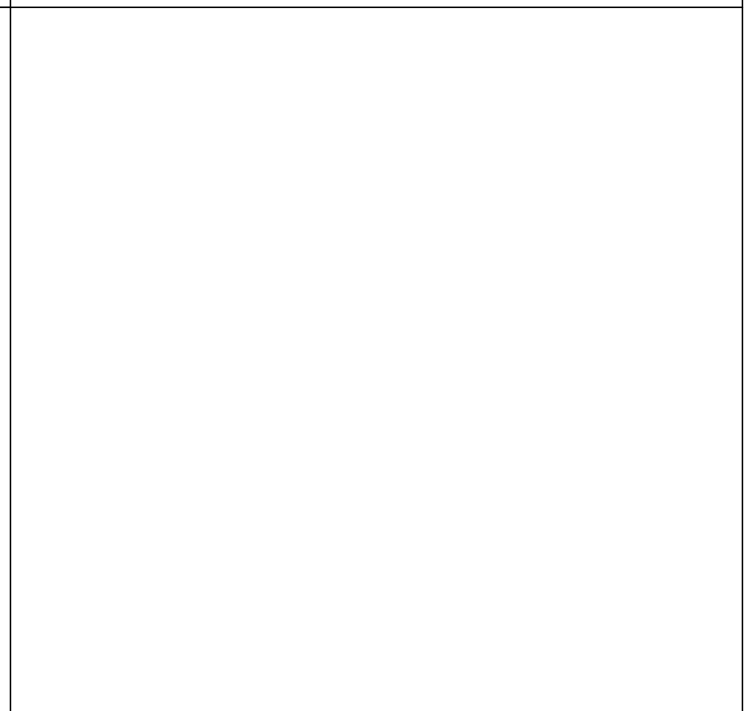
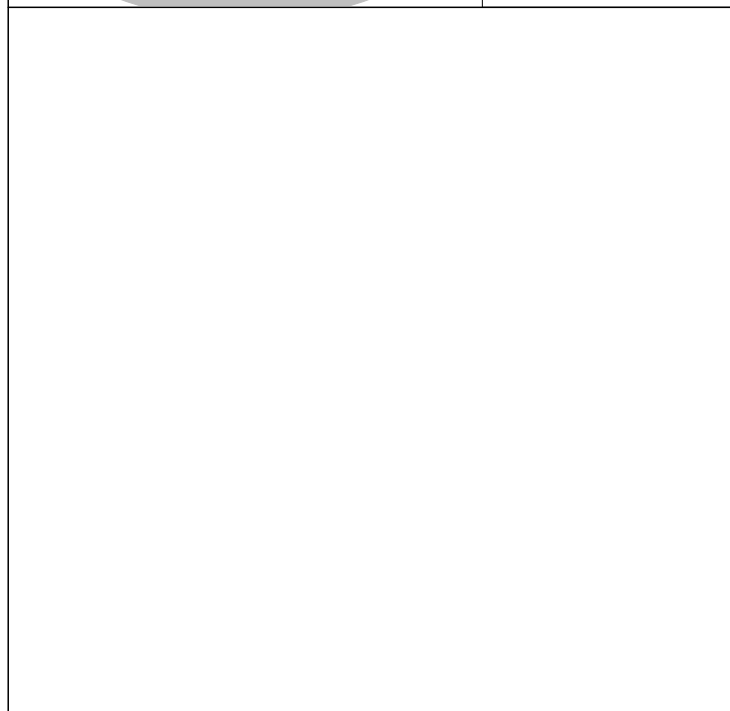
1: 9.7 ↖  
2: 10.7x ↙

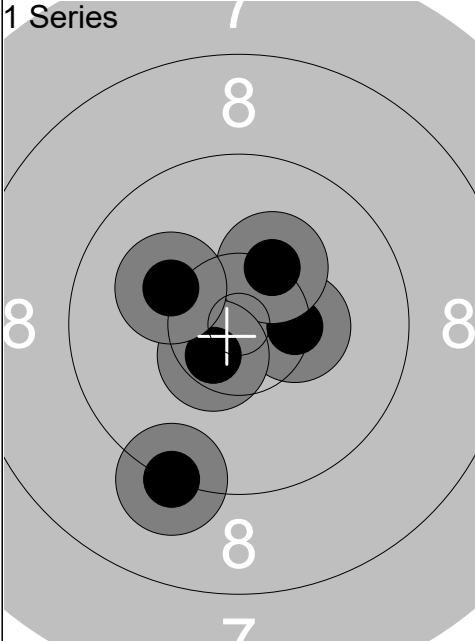
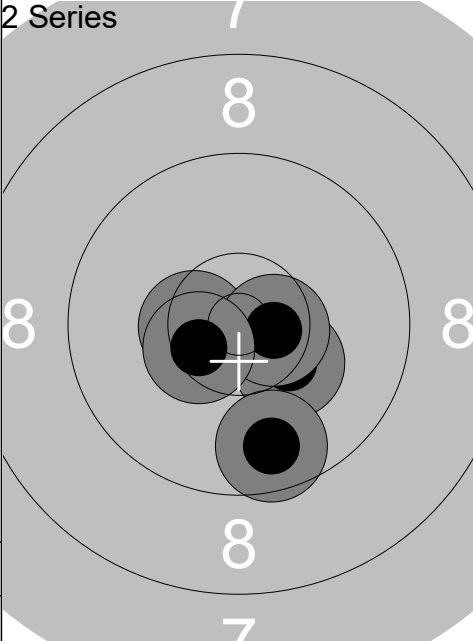
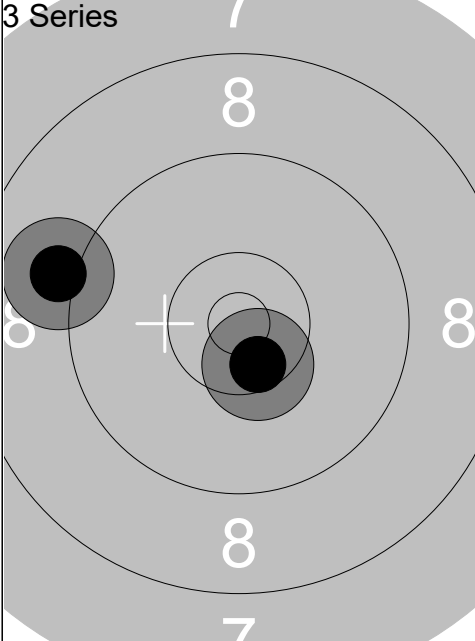
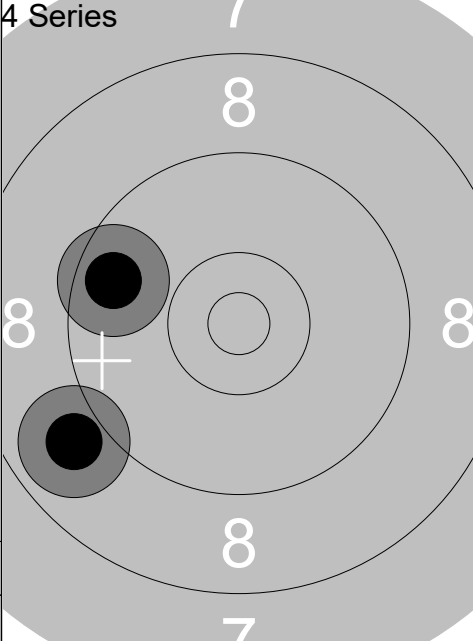
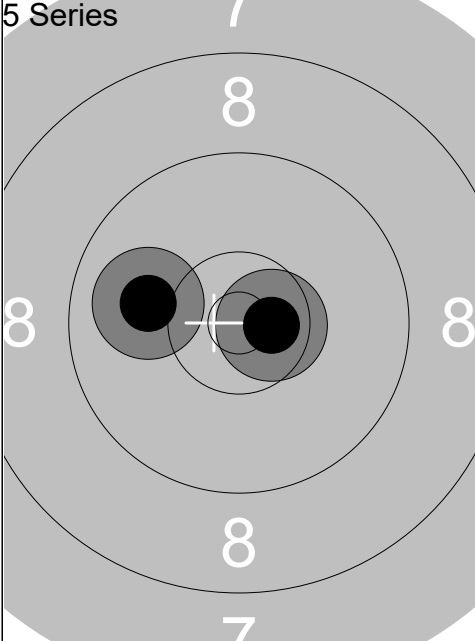
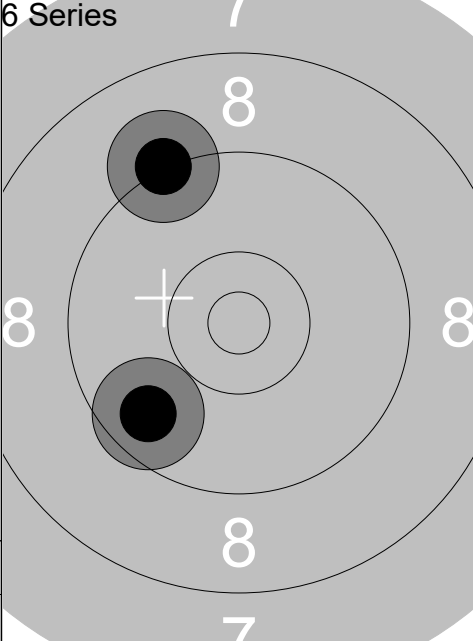
Series	20.4
	220.6



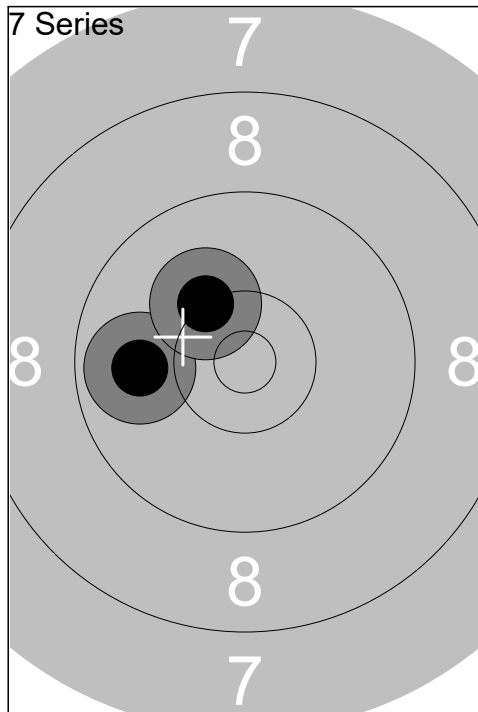
1: 9.7 →  
2: 9.7 ←

Series	19.4
	240.0



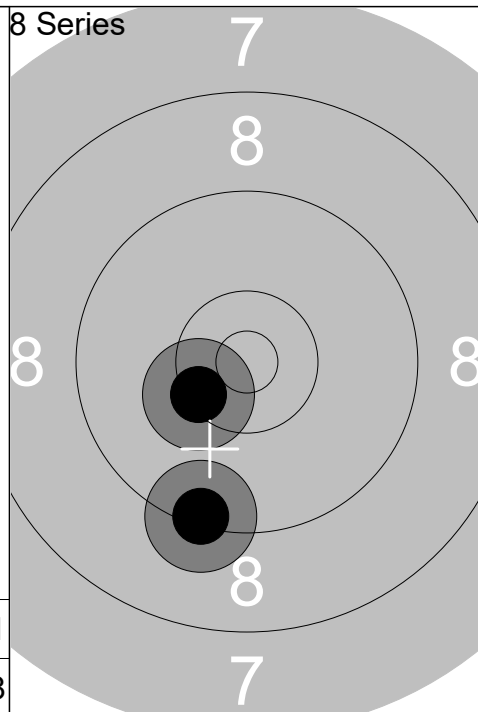
Relay	Lane	Isac Ahlqvist			
1	7	SWE	Mp	Pistol	
17.02.2024	Denmark Open Air Day 02	Denmark Open Air 2024			
1 Series		1: 10.4x → 2: 10.3 ↗ 3: 10.5x ↘ 4: 9.2 ↓ 5: 10.2 ↖	2 Series		1: 10.3 ↘ 2: 9.7 ↓ 3: 10.5x ← 4: 10.6x → 5: 10.5x ↙
	Series	50.6	Series	51.6	
		50.6		102.2	
3 Series		1: 10.5x ↘ 2: 9.1 ←	4 Series		1: 8.9 ↙ 2: 9.6 ↖
	Series	19.6	Series	18.5	
		121.8		140.3	
5 Series		1: 10.0 ← 2: 10.6x →	6 Series		1: 9.6 ↙ 2: 9.2 ↗
	Series	20.6	Series	18.8	
		160.9		179.7	





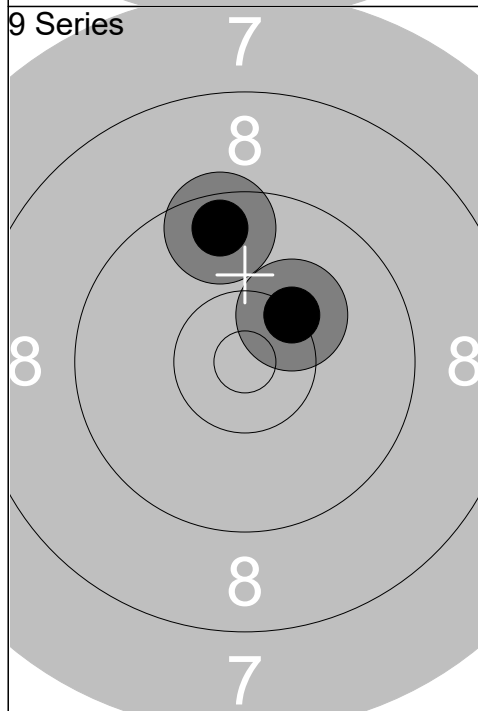
1: 9.9 ←  
2: 10.2 ↗

Series	20.1
	199.8



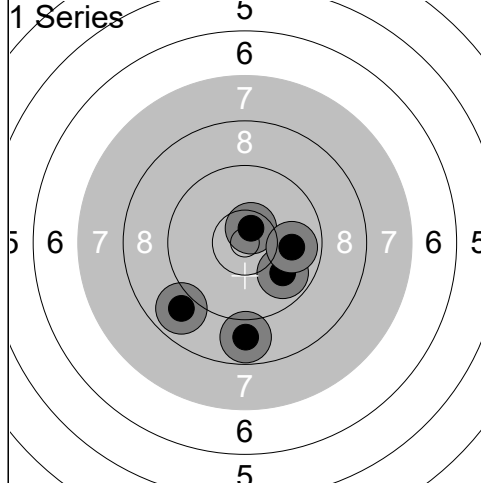
1: 10.4 ↙  
2: 9.3 ↓

Series	19.7
	219.5

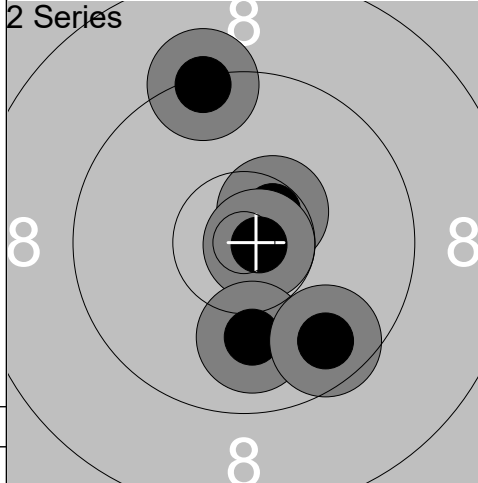


1: 9.6 ↑  
2: 10.3 ↗

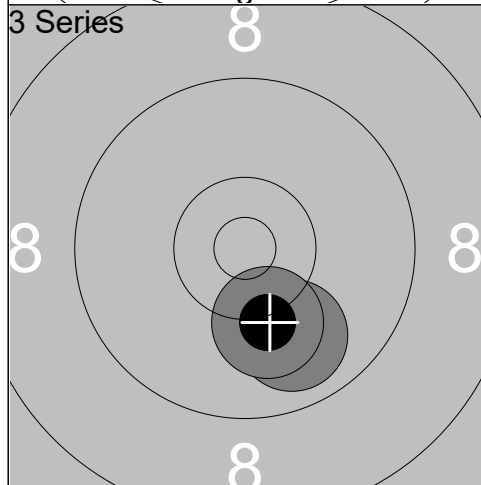
Series	19.9
	239.4



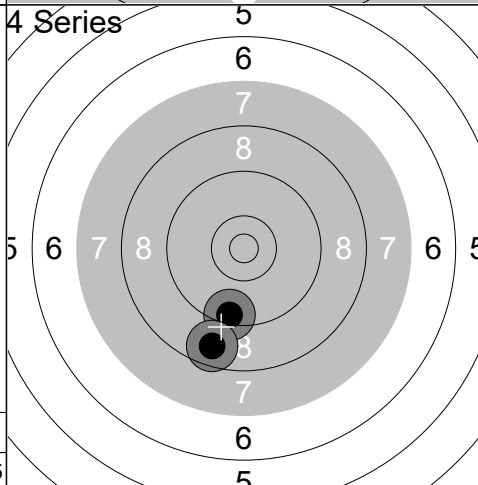
1:	10.6x	↗
2:	9.9	↘
3:	8.8	↓
4:	8.9	↙
5:	9.9	→
Series		48.1
		48.1



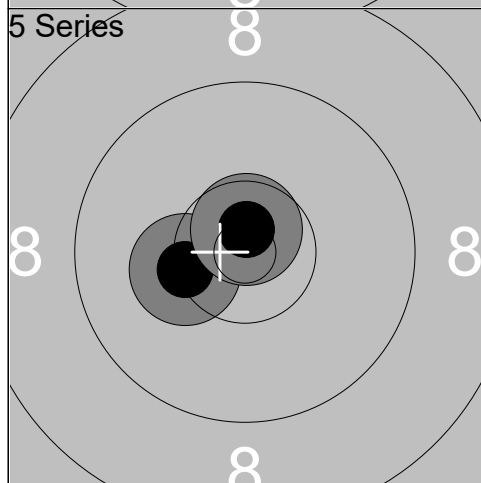
1:	9.3	↗
2:	10.5x	↗
3:	10.8x	→
4:	10.0	↓
5:	9.7	↘
Series		50.3
		98.4



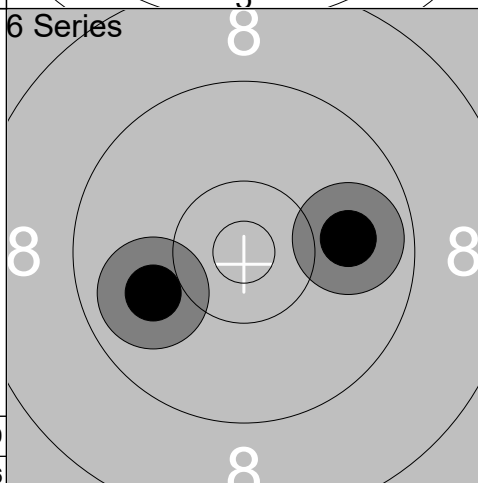
1:	9.9	↘
2:	10.2	↘
Series		20.1
		118.5



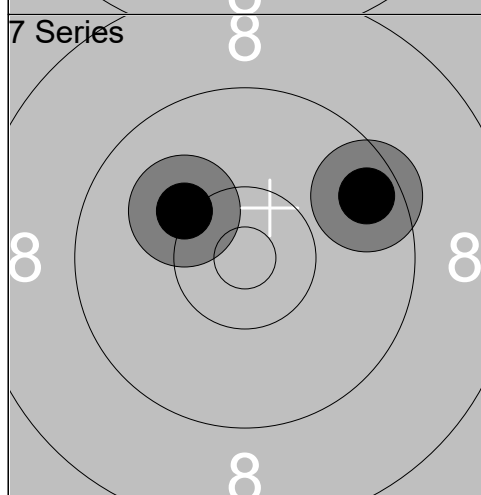
1:	9.4	↓
2:	8.7	↓
Series		18.1
		136.6



1:	10.3	←
2:	10.7x	↑
Series		21.0
		157.6



1:	9.9	→
2:	9.9	←
Series		19.8
		177.4



1:	10.2	↖
2:	9.6	↗
Series		19.8
		197.2