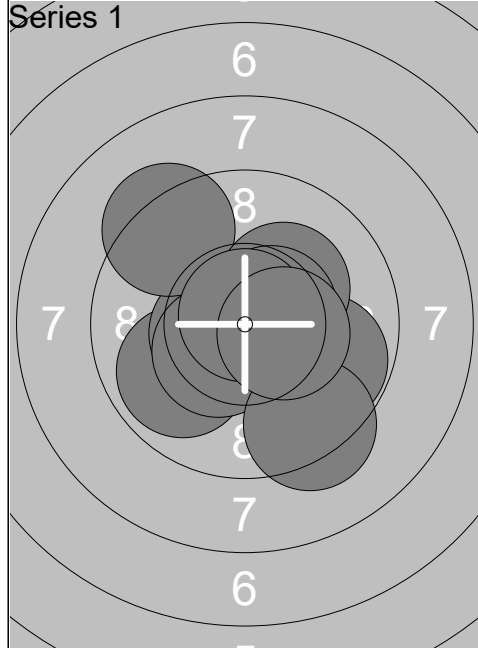
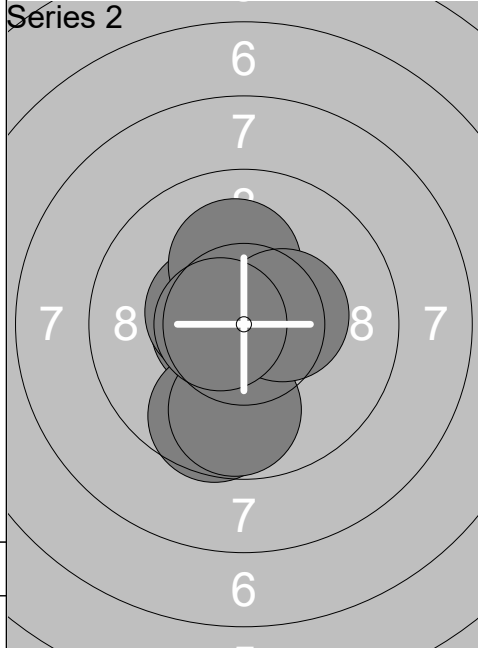


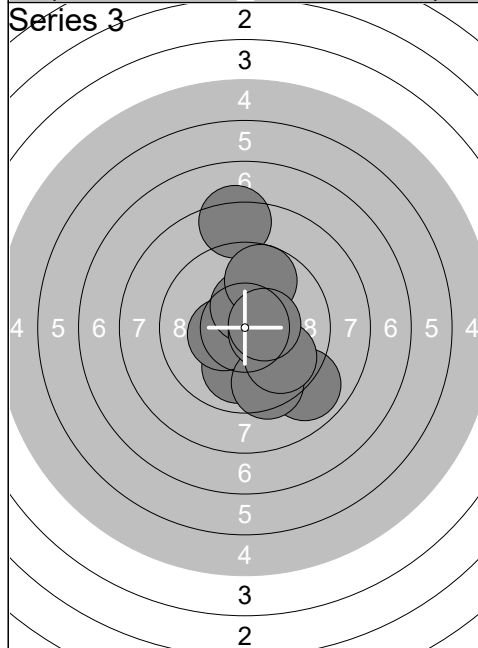
Relay	Lane	Storm Franzen		
2	24	DEN	MJ	Rifle
17.02.2024	Denmark Open Air Day 02	Denmark Open Air 2024		
Series 1 	1: 9.8 →	Series 2 	1: 9.6 →	
	2: 10.1 ↑		2: 9.8 ↖	
	3: 10.3x ↑		3: 10.5x ↙	
	4: 10.3x →		4: 10.1 →	
	5: 10.2x ↖		5: 10.2x ↓	
	6: 10.1 ↑		6: 10.1 ↖	
	7: 9.3 →		7: 10.8x ←	
	8: 10.2x ↑		8: 10.4x ↖	
	9: 10.5x ↑		9: 10.2x ←	
	10: 10.3x ↘		10: 9.7 ↗	
	Series 101.1	Series 101.4		
	101.1	202.5		
Series 3 	1: 9.6 ↖	Series 4 	1: 10.0 ↖	
	2: 10.3x ↑		2: 10.5x →	
	3: 9.7 ↑		3: 9.5 ↗	
	4: 10.1 ↘		4: 10.3x ↖	
	5: 10.2x ↘		5: 10.2x ↑	
	6: 10.3x ↓		6: 9.8 ↓	
	7: 10.2x ↗		7: 10.3x ←	
	8: 9.9 →		8: 9.0 ↘	
	9: 10.8x →		9: 10.0 →	
	10: 10.4x ↗		10: 9.9 ↖	
	Series 101.5	Series 99.5		
	304.0	403.5		
Series 5 	1: 9.8 →	Series 6 	1: 9.9 ↓	
	2: 9.9 ↓		2: 10.3x ↓	
	3: 10.1 ←		3: 10.3x ←	
	4: 10.7x ←		4: 10.4x ↙	
	5: 10.7x ↗		5: 10.7x ↙	
	6: 10.7x →		6: 10.3x ←	
	7: 9.7 ←		7: 9.6 ↑	
	8: 10.3x ↖		8: 10.3x ↗	
	9: 10.2x ↖		9: 10.1 ↑	
	10: 10.5x ←		10: 10.2x ↓	
	Series 102.6	Series 102.1		
	506.1	608.2		



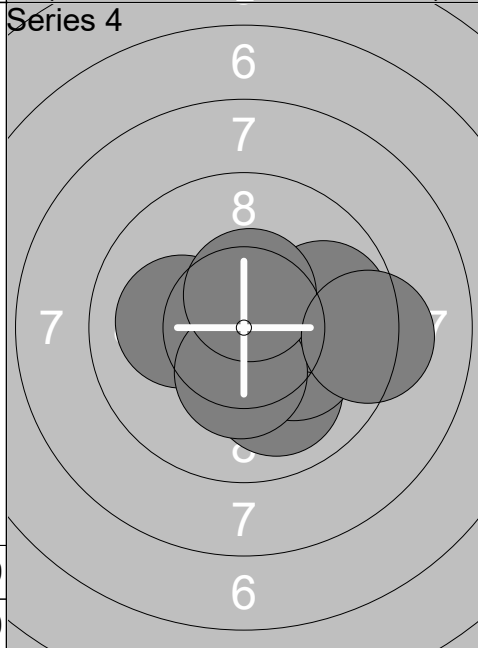
1:	9.9 ↙
2:	10.5x↙
3:	9.8 ➡
4:	9.3 ↗
5:	10.2x↗
6:	10.4x↙
7:	10.5x➡
8:	9.3 ↓
9:	10.8x↑
10:	10.4x➡
Series	101.1
	101.1



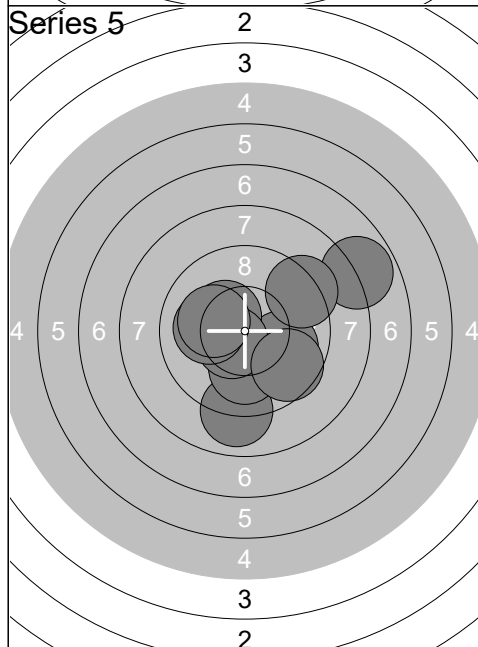
1:	10.6x↙
2:	9.6 ↓
3:	10.5x↙
4:	10.8x➡
5:	10.9x↙
6:	10.1 ↑
7:	10.7x↙
8:	9.8 ↓
9:	10.4x➡
10:	10.6x↙
Series	104.0
	205.1



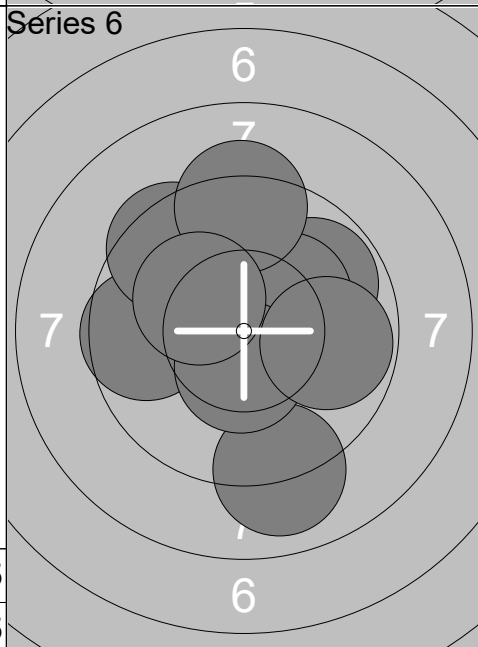
1:	10.0 ↓
2:	10.4x↙
3:	8.3 ↑
4:	10.4x↑
5:	8.9 ↘
6:	9.5 ↘
7:	9.7 ↗
8:	10.4x➡
9:	9.8 ↘
10:	10.5x➡
Series	97.9
	303.0



1:	10.4x➡
2:	10.0 ↓
3:	10.7x↙
4:	10.7x↘
5:	10.2x➡
6:	9.8 ➡
7:	10.1 ←
8:	10.3x↓
9:	10.5x↑
10:	9.3 ➡
Series	102.0
	405.0

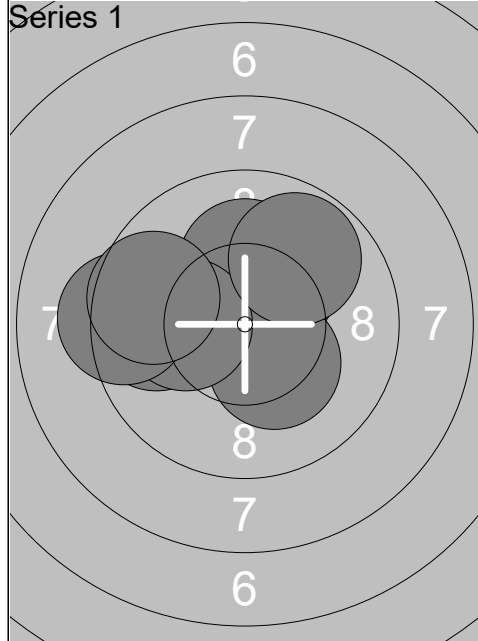


1:	7.8 ➡
2:	9.0 ↓
3:	9.9 ➡
4:	10.0 ↓
5:	10.3x↙
6:	10.5x↙
7:	10.1 ←
8:	9.6 ↘
9:	9.2 ➡
10:	10.1 ←
Series	96.5
	501.5

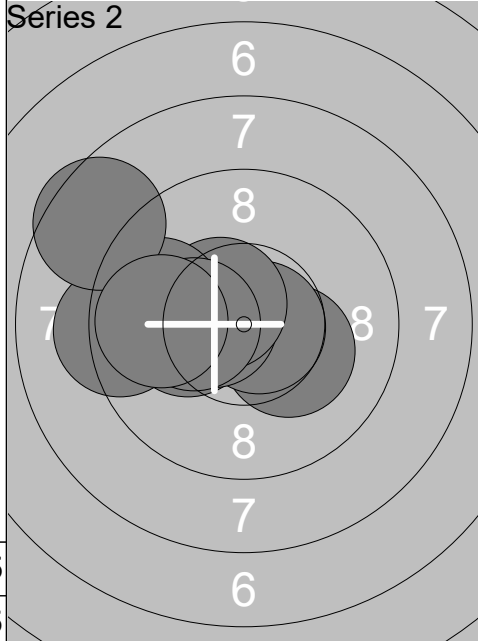


1:	10.5x↗
2:	9.8 ↗
3:	9.6 ←
4:	10.2x↗
5:	9.0 ↓
6:	10.4x↓
7:	9.5 ↗
8:	9.2 ↑
9:	10.2x↙
10:	9.8 ➡
Series	98.2
	599.7

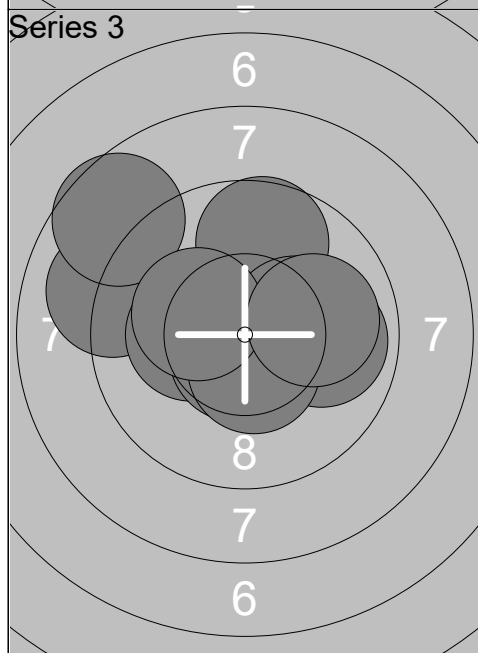
Relay	Lane	Pontus Kallin		
2	26	SWE	MJ	Rifle
17.02.2024	Denmark Open Air Day 02	Denmark Open Air 2024		
Series 1 	1: 10.1 ↖	Series 2 	1: 10.7x ←	
	2: 10.5x ↖		2: 10.7x ↓	
	3: 9.8 ←		3: 10.5x ↘	
4: 10.4x ↓	4: 10.6x ↑	4: 10.4x ↗	4: 10.6x ↗	
5: 10.6x ↗	5: 10.5x ↘	5: 10.4x ↗	5: 10.5x ↘	
6: 10.6x ↗	6: 10.5x ↖	6: 10.5x ↖	6: 10.5x ↖	
7: 9.7 ←	7: 10.4x ↗	7: 10.4x ↗	7: 10.4x ↗	
8: 9.6 ↑	8: 10.0 ↓	8: 10.0 ↓	8: 10.0 ↓	
9: 10.6x ←	9: 10.7x ↗	9: 10.7x ↗	9: 10.7x ↗	
10: 10.7x →	10: 10.8x ↓	10: 10.8x ↓	10: 10.8x ↓	
Series 102.6	Series 105.4			
102.6	208.0			
Series 3 	1: 10.2x ←	Series 4 	1: 9.9 ←	
	2: 10.7x ↓		2: 10.7x ↓	
	3: 10.4x ↖		3: 10.2x ↗	
4: 10.2x ←	4: 10.1 ↖	4: 10.1 ↖	4: 10.1 ↖	
5: 10.7x ←	5: 10.2x ↘	5: 10.2x ↘	5: 10.2x ↘	
6: 10.7x →	6: 10.6x ↖	6: 10.6x ↖	6: 10.6x ↖	
7: 10.0 →	7: 10.8x ↖	7: 10.8x ↖	7: 10.8x ↖	
8: 10.5x ←	8: 10.7x ↖	8: 10.7x ↖	8: 10.7x ↖	
9: 10.8x ↓	9: 10.3x ↗	9: 10.3x ↗	9: 10.3x ↗	
10: 10.2x ↓	10: 10.0 →	10: 10.0 →	10: 10.0 →	
Series 104.4	Series 103.5			
312.4	415.9			
Series 5 	1: 10.7x ↖	Series 6 	1: 10.8x →	
	2: 10.8x ↑		2: 10.6x ↑	
	3: 10.4x ↓		3: 10.7x ↗	
4: 10.2x ↖	4: 10.6x →	4: 10.6x →	4: 10.6x →	
5: 10.3x ↑	5: 10.3x ↗	5: 10.3x ↗	5: 10.3x ↗	
6: 10.4x ↗	6: 10.0 ↓	6: 10.0 ↓	6: 10.0 ↓	
7: 10.2x ↑	7: 9.9 ↑	7: 9.9 ↑	7: 9.9 ↑	
8: 10.1 ←	8: 10.6x ↑	8: 10.6x ↑	8: 10.6x ↑	
9: 10.1 ↓	9: 10.6x ↓	9: 10.6x ↓	9: 10.6x ↓	
10: 10.8x ↑	10: 10.3x ↘	10: 10.3x ↘	10: 10.3x ↘	
Series 104.0	Series 104.4			
519.9	624.3			



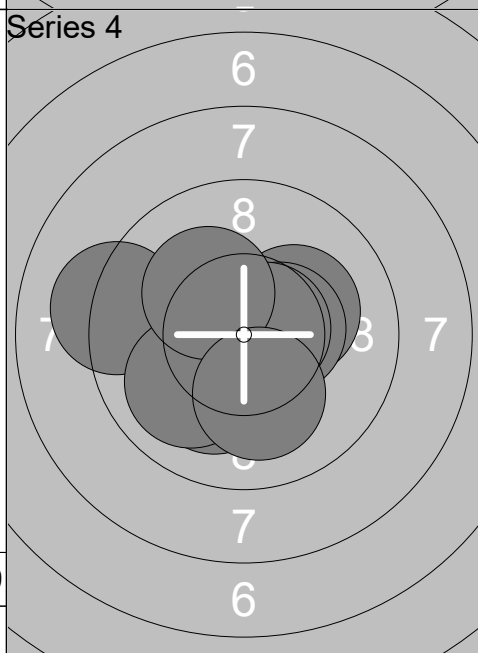
1:	9.7	←
2:	10.7x	↗
3:	10.3x	↗
4:	10.6x	↑
5:	10.1	↑
6:	10.3x	↘
7:	10.1	←
8:	9.3	←
9:	9.6	←
10:	9.8	↗
Series	100.5	
	100.5	



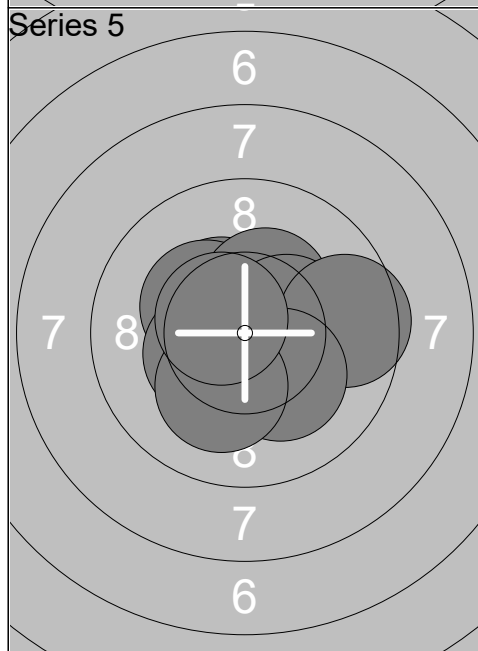
1:	10.2x	↘
2:	10.7x	→
3:	10.2x	←
4:	10.5x	←
5:	10.5x	↖
6:	9.8	←
7:	9.2	←
8:	10.3x	←
9:	8.5	↖
10:	9.8	←
Series	99.7	
	200.2	



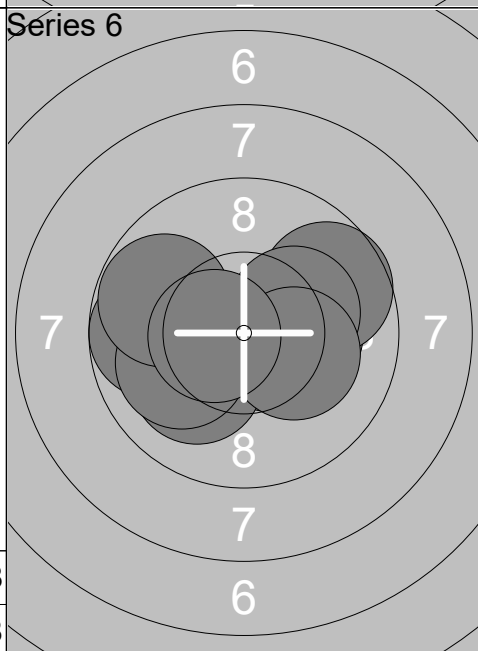
1:	9.7	↑
2:	9.0	←
3:	10.2x	←
4:	9.9	→
5:	8.6	↖
6:	10.6x	↘
7:	10.2x	→
8:	10.5x	↘
9:	10.2x	↖
10:	10.0	→
Series	98.9	
	299.1	



1:	10.4x	↖
2:	9.2	←
3:	10.2x	→
4:	10.7x	↓
5:	10.4x	→
6:	10.1	↘
7:	10.6x	→
8:	10.0	↘
9:	10.2x	↖
10:	10.1	↓
Series	101.9	
	401.0	



1:	10.4x	↖
2:	10.3x	↖
3:	10.6x	↘
4:	10.4x	↗
5:	10.4x	→
6:	10.3x	↖
7:	9.5	→
8:	10.2x	↘
9:	10.1	↘
10:	10.6x	↖
Series	102.8	
	503.8	

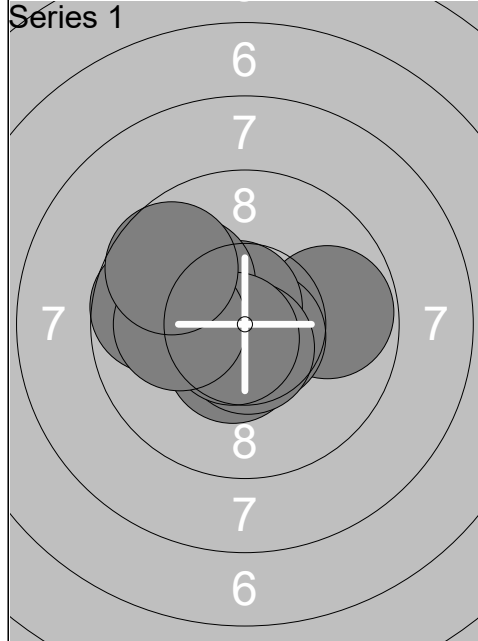


1:	9.7	←
2:	10.5x	↘
3:	10.1	↘
4:	10.2x	→
5:	9.7	↗
6:	10.2x	→
7:	10.0	←
8:	9.8	←
9:	10.2x	↘
10:	10.5x	←
Series	100.9	
	604.7	

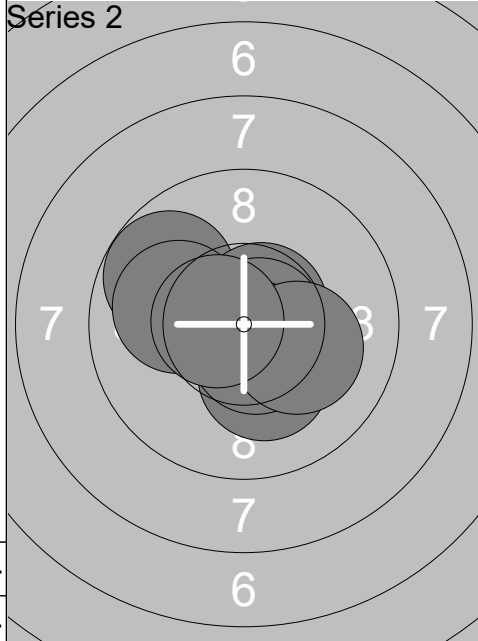
Relay	Lane	Axel Löfvander		
2	28	SWE	MJ	Rifle
17.02.2024	Denmark Open Air Day 02	Denmark Open Air 2024		
Series 1 	1: 10.6x ↗	Series 2 	1: 10.4x ↑	
	2: 10.3x ↘		2: 10.1 ↙	
	3: 9.5 ↖		3: 10.5x ↗	
	4: 10.3x →		4: 10.5x ↗	
	5: 10.3x ↖		5: 10.4x ↓	
	6: 10.4x ↖		6: 10.5x ↓	
	7: 10.3x ↙		7: 10.5x ↗	
	8: 10.5x ↙		8: 9.9 ↑	
	9: 10.2x ↗		9: 10.1 ↑	
	10: 10.7x →		10: 10.2x ←	
	Series 103.1		Series 103.1	
	103.1		206.2	
Series 3 	1: 10.3x →	Series 4 	1: 10.8x ↓	
	2: 10.3x ↘		2: 9.9 →	
	3: 10.1 →		3: 10.5x ↘	
	4: 10.1 ↑		4: 9.4 →	
	5: 10.7x ↓		5: 10.1 ↘	
	6: 9.8 ←		6: 10.2x ↘	
	7: 10.1 ←		7: 10.4x ↖	
	8: 10.0 ↓		8: 10.6x →	
	9: 10.5x ↙		9: 10.1 →	
	10: 10.7x ↘		10: 10.6x →	
	Series 102.6		Series 102.6	
	308.8		411.4	
Series 5 	1: 10.0 ↖	Series 6 	1: 10.6x ↗	
	2: 10.0 →		2: 10.1 ↙	
	3: 10.3x ←		3: 10.4x ↙	
	4: 10.1 ←		4: 10.3x ↙	
	5: 10.6x ↘		5: 9.3 ↑	
	6: 9.7 →		6: 10.0 ↗	
	7: 10.4x ↑		7: 10.3x ↖	
	8: 10.8x ↓		8: 10.2x ↑	
	9: 10.6x ←		9: 10.0 →	
	10: 10.1 ↖		10: 10.4x ↑	
	Series 102.6		Series 101.6	
	514.0		615.6	

Relay	Lane	Daniel Guldhamner Nedergaard			
2	29	DEN		MJ	Rifle
17.02.2024		Denmark Open Air Day 02		Denmark Open Air 2024	
Series 1	2	1: 8.8 ↗	Series 2	2	1: 9.7 ←
	3	2: 10.5x ↙		3	2: 7.2 →
	4	3: 8.8 ↑		4	3: 9.4 →
	5	4: 10.5x ↓		5	4: 7.8 →
	6	5: 8.0 →		6	5: 9.7 ↑
	7	6: 10.3x ↗		7	6: 8.8 →
	8	7: 8.8 ↖		8	7: 10.2x ↓
	9	8: 6.8 →		9	8: 7.4 ←
	10	9: 9.0 ↗		10	9: 7.9 ↗
	Series	10.1 ↘		10	9.5 →
	Series	91.6		Series	87.6
		91.6	179.2		
Series 3	2	1: 10.5x ↓	Series 4	2	1: 10.6x ↙
	3	2: 9.8 ↓		3	2: 6.9 ↓
	4	3: 10.1 →		4	3: 10.5x →
	5	4: 6.4 →		5	4: 8.8 ↓
	6	5: 8.1 ←		6	5: 9.1 ↖
	7	6: 10.6x →		7	6: 7.3 ↑
	8	7: 8.3 ↓		8	7: 8.1 ←
	9	8: 9.5 →		9	8: 8.6 →
	10	9: 7.5 ↗		10	9: 10.1 ↙
	Series	8.1 ↗		10	9.5 ←
	Series	88.9		Series	89.5
		268.1	357.6		
Series 5	2	1: 8.6 →	Series 6	2	1: 8.5 ←
	3	2: 9.8 →		3	2: 9.9 →
	4	3: 8.0 →		4	3: 7.5 ←
	5	4: 8.3 ↓		5	4: 10.6x →
	6	5: 6.9 ←		6	5: 7.8 ↓
	7	6: 9.2 ↓		7	6: 8.7 ↗
	8	7: 9.6 →		8	7: 8.6 →
	9	8: 8.5 ↑		9	8: 5.7 →
	10	9: 8.2 ↖		10	9: 9.0 ←
	Series	10.1 ↘		10	4.7 ↖
	Series	87.2		Series	81.0
		444.8	525.8		

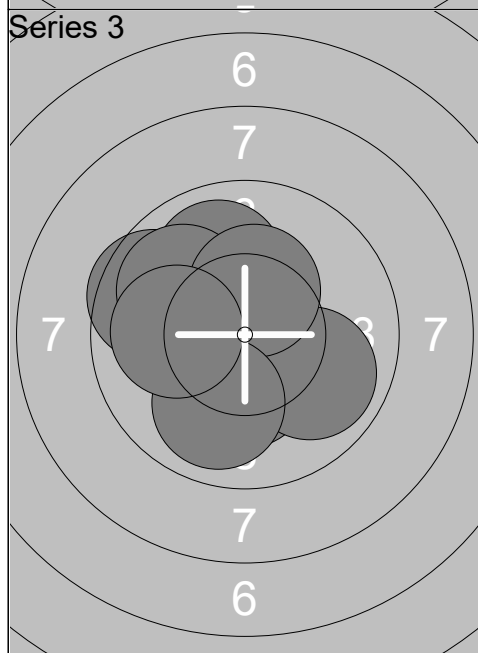
Relay	Lane	Anton Salomonsson		
2	30	SWE	MJ	Rifle
17.02.2024	Denmark Open Air Day 02	Denmark Open Air 2024		
Series 1 	1: 9.7 ↓	Series 2 	1: 10.8x ↙	
	2: 10.4x ↓		2: 10.0 ↓	
	3: 10.4x ↗		3: 10.1 →	
	4: 10.6x ↓		4: 10.9x	
	5: 10.3x ←		5: 9.9 ↓	
	6: 10.3x ↖		6: 10.4x ←	
	7: 8.7 ←		7: 10.4x →	
	8: 10.0 ↖		8: 9.7 ↘	
	9: 10.3x →		9: 10.3x →	
	10: 10.1 ↖		10: 10.7x ↗	
	Series 100.8		Series 103.2	
	100.8		204.0	
Series 3 	1: 10.7x ↑	Series 4 	1: 10.2x ↓	
	2: 10.3x ←		2: 10.5x ↗	
	3: 10.3x ↗		3: 9.5 →	
	4: 10.0 ↗		4: 9.9 ↑	
	5: 10.2x ↖		5: 10.1 ↘	
	6: 10.6x ↓		6: 10.4x ←	
	7: 10.1 ↓		7: 10.1 ↓	
	8: 10.3x →		8: 10.4x ↓	
	9: 10.1 →		9: 10.7x ↗	
	10: 10.4x ↗		10: 10.0 →	
	Series 103.0		Series 101.8	
	307.0		408.8	
Series 5 	1: 9.9 ↓	Series 6 	1: 9.9 ↓	
	2: 9.9 →		2: 10.4x ↓	
	3: 10.5x ↗		3: 10.6x ↓	
	4: 10.5x ↗		4: 9.9 ↑	
	5: 9.8 ↑		5: 10.7x ↙	
	6: 10.3x ↓		6: 10.6x ↓	
	7: 10.1 ↗		7: 10.6x ↗	
	8: 10.4x →		8: 10.3x ↘	
	9: 10.3x ↗		9: 9.5 →	
	10: 10.2x ↓		10: 9.9 ←	
	Series 101.9		Series 102.4	
	510.7		613.1	



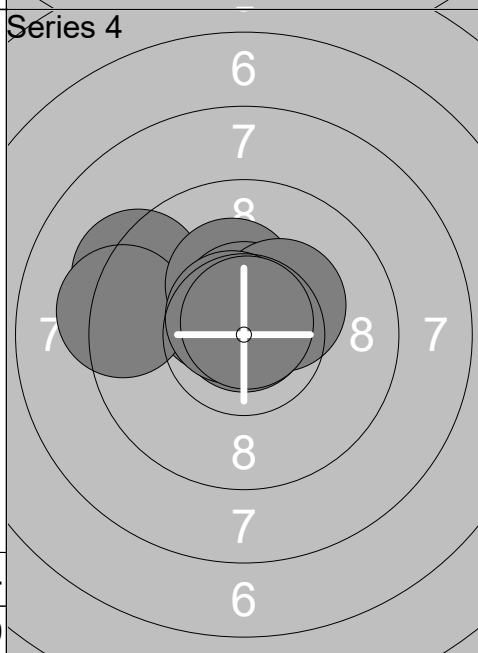
1:	10.5x	↘
2:	9.7	←
3:	9.8	→
4:	10.7x	↘
5:	10.7x	↗
6:	10.6x	↓
7:	10.0	↖
8:	10.7x	↘
9:	10.0	←
10:	9.7	↖
Series	102.4	
	102.4	



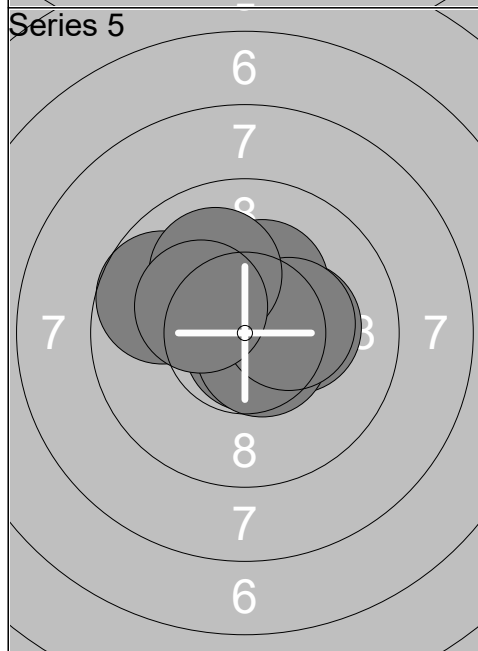
1:	9.8	↖
2:	10.0	←
3:	10.8x	↘
4:	10.6x	↗
5:	10.2x	↓
6:	10.7x	→
7:	10.7x	→
8:	10.6x	↓
9:	10.1	↘
10:	10.6x	←
Series	104.1	
	206.5	



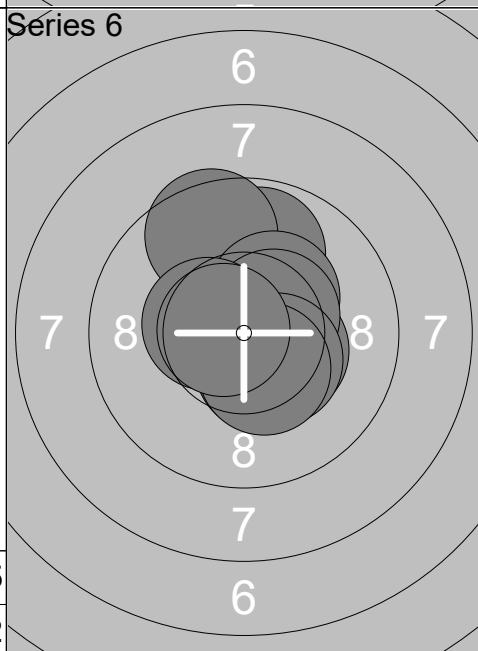
1:	9.9	↗
2:	10.3x	↓
3:	9.9	↖
4:	9.6	←
5:	10.7x	↓
6:	9.9	↖
7:	9.9	↘
8:	10.3x	↑
9:	9.9	↓
10:	10.0	←
Series	100.4	
	306.9	



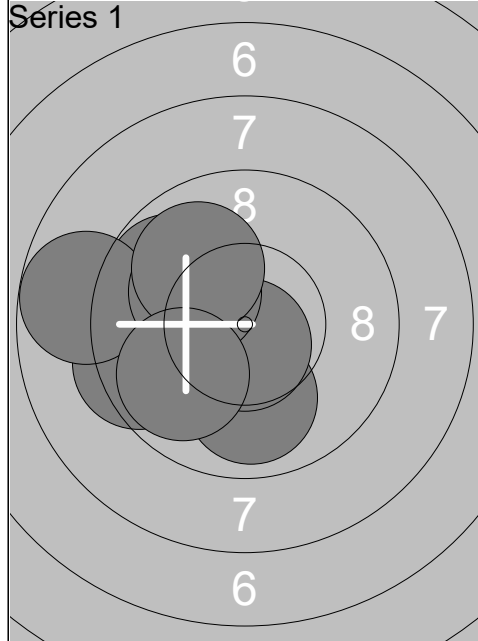
1:	10.5x	↖
2:	10.8x	↑
3:	9.3	↖
4:	9.2	←
5:	10.4x	↗
6:	10.2x	↑
7:	10.6x	↑
8:	10.3x	↗
9:	10.7x	↖
10:	10.8x	↑
Series	102.8	
	409.7	



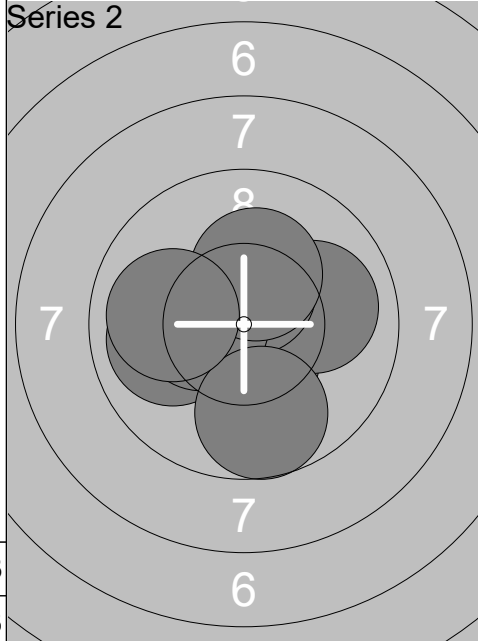
1:	10.5x	↖
2:	10.8x	↘
3:	10.8x	↑
4:	10.3x	→
5:	9.7	←
6:	10.6x	↘
7:	10.3x	↑
8:	10.3x	→
9:	10.0	↗
10:	10.2x	↖
Series	103.5	
	513.2	



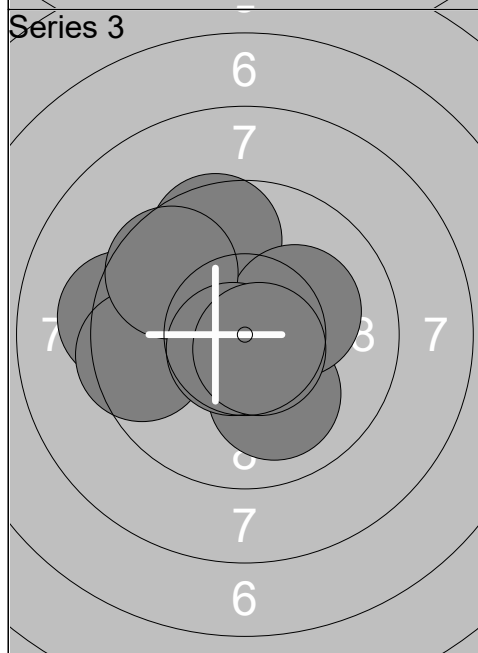
1:	9.8	↑
2:	9.6	↑
3:	10.4x	↘
4:	10.3x	↗
5:	10.3x	↘
6:	10.5x	↗
7:	10.4x	↘
8:	10.4x	←
9:	10.4x	↘
10:	10.6x	←
Series	102.7	
	615.9	



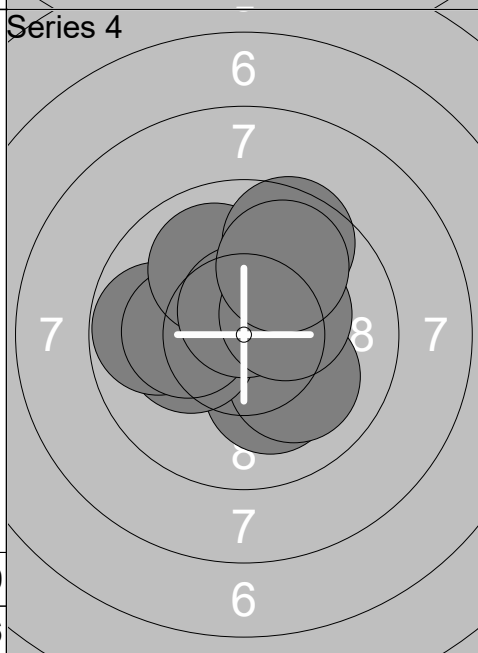
1:	9.7	←
2:	9.4	←
3:	10.3x	↖
4:	9.8	↖
5:	9.9	↓
6:	10.6x	↓
7:	8.7	←
8:	10.1	↖
9:	9.9	↗
10:	9.9	↙
Series	98.3	
	98.3	



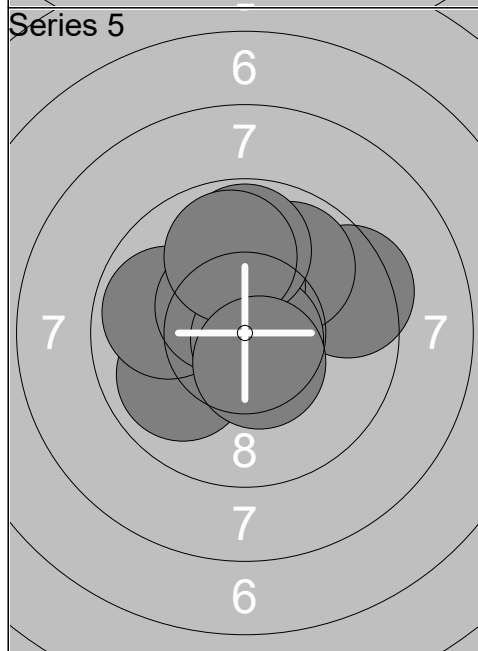
1:	10.6x	↙
2:	10.4x	↓
3:	10.6x	↑
4:	10.0	←
5:	10.0	→
6:	10.4x	↑
7:	10.4x	←
8:	9.7	↓
9:	10.2x	↑
10:	10.0	←
Series	102.3	
	200.6	



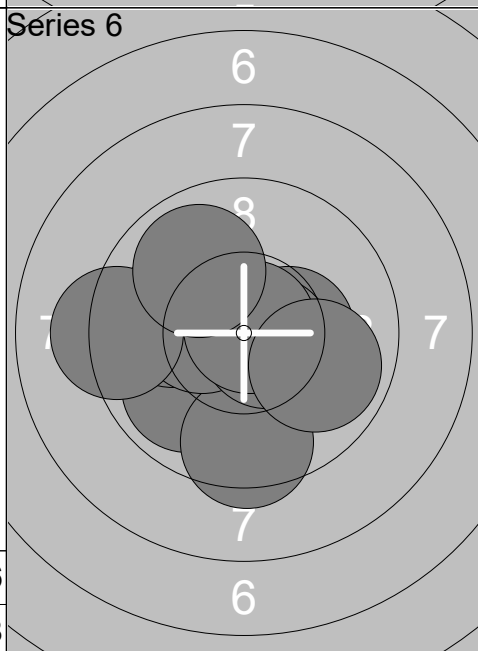
1:	10.0	↓
2:	10.7x	←
3:	9.3	←
4:	9.8	↗
5:	9.6	↑
6:	10.2x	→
7:	9.5	←
8:	9.6	↖
9:	10.7x	↙
10:	10.6x	↘
Series	100.0	
	300.6	



1:	10.1	↓
2:	10.0	↘
3:	10.2x	←
4:	9.8	←
5:	10.2x	←
6:	9.9	↗
7:	10.6x	↑
8:	10.3x	→
9:	9.6	↗
10:	9.9	↗
Series	100.6	
	401.2	



1:	9.9	←
2:	9.4	→
3:	9.9	↗
4:	10.3x	↑
5:	9.8	←
6:	10.4x	↗
7:	10.7x	↘
8:	9.8	↑
9:	9.9	↑
10:	10.5x	↘
Series	100.6	
	501.8	



1:	9.9	↙
2:	9.4	↓
3:	10.3x	→
4:	10.0	←
5:	10.4x	←
6:	10.6x	→
7:	10.8x	↗
8:	9.9	↘
9:	9.2	←
10:	9.9	↖
Series	100.4	
	602.2	