

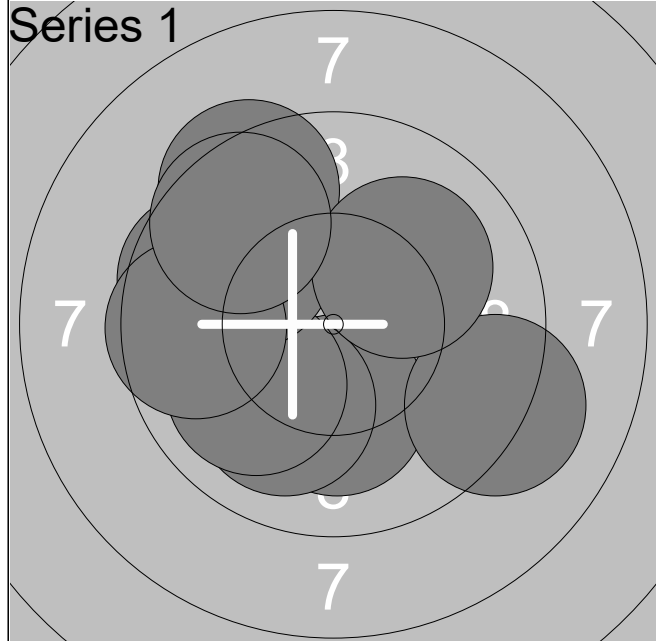
Relay	Lane	Amanda Karlsson		
1	1	1 Mixed Team Rifle	SWE 1	W Rifle
15.02.2024	Denmark Open Air 2024	Denmark Open Air 2024		
<b>Series 1</b> 	1:	10.0	↗	
	2:	10.2x	↖	
	3:	10.7x	↗	
	4:	10.5x	↗	
	5:	10.4x	↗	
	6:	10.5x	↗	
	7:	10.5x	↗	
	8:	9.9	↑	
	9:	10.8x	↗	
	10:	10.3x	↓	
	<b>Series</b>			<b>103 ( 8x)</b>
			<b>103 ( 8x)</b>	
<b>Series 2</b> 	1:	10.3x	↗	
	2:	10.0	↗	
	3:	10.8x	↖	
	4:	10.7x	↗	
	5:	10.4x	↗	
	6:	9.6	↗	
	7:	10.5x	↗	
	8:	10.3x	↑	
	9:	10.5x	→	
	10:	10.8x	↗	
	<b>Series</b>			<b>103 ( 8x)</b>
			<b>207 (16x)</b>	
<b>Series 3</b> 	1:	10.3x	↗	
	2:	10.4x	↖	
	3:	10.3x	↑	
	4:	10.5x	↗	
	5:	10.8x	↗	
	6:	10.5x	↖	
	7:	10.6x	↗	
	8:	10.1	↗	
	9:	10.3x	↗	
	10:	10.9x	↖	
	<b>Series</b>			<b>104 ( 9x)</b>
			<b>312 (25x)</b>	

Relay <b>1</b>	Lane <b>2</b>	<b>Erik Sahlin</b>		
1 Mixed Team Rifle		SWE 1	M	Rifle
15.02.2024		Denmark Open Air 2024	Denmark Open Air 2024	
<b>Series 1</b> 		1:	10.2x	↖
		2:	10.1	↑
		3:	10.2x	↗
		4:	9.9	→
		5:	10.7x	↓
		6:	10.7x	↓
		7:	10.6x	↗
		8:	10.6x	↙
		9:	10.3x	↓
		10:	10.1	↖
				Series
			103 ( 7x)	
<b>Series 2</b> 		1:	10.4x	↑
		2:	9.8	→
		3:	10.6x	↘
		4:	10.5x	←
		5:	10.7x	↓
		6:	10.3x	↑
		7:	10.5x	↘
		8:	10.3x	→
		9:	10.3x	↙
		10:	10.2x	↘
				Series
			207 (16x)	
<b>Series 3</b> 		1:	10.6x	↘
		2:	10.6x	←
		3:	10.6x	↗
		4:	10.8x	↗
		5:	10.0	←
		6:	10.1	↘
		7:	10.8x	↗
		8:	10.2x	↘
		9:	9.8	←
		10:	9.9	↘
				Series
			310 (22x)	

Relay <b>1</b>	Lane <b>3</b>	<b>Joëlle van Aalderen</b>		
-------------------	------------------	----------------------------	--	--

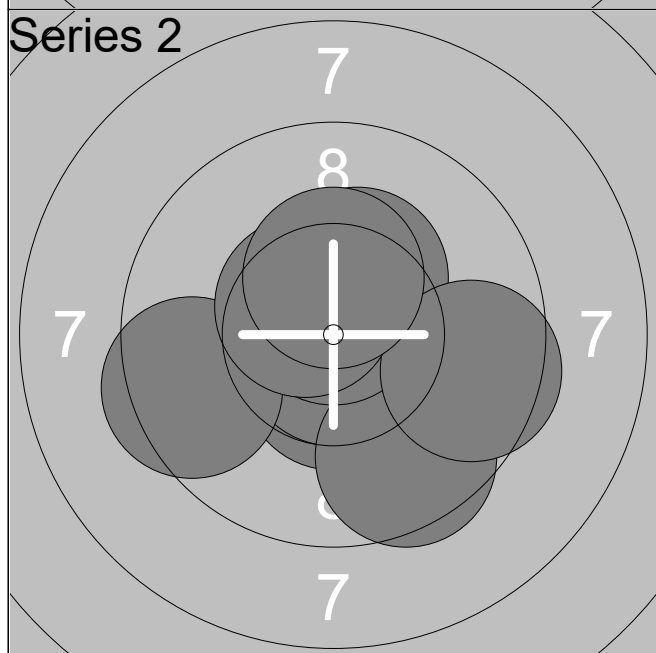
1 Mixed Team Rifle	NED	W	Rifle
--------------------	-----	---	-------

15.02.2024	Denmark Open Air 2024	Denmark Open Air 2024
------------	-----------------------	-----------------------



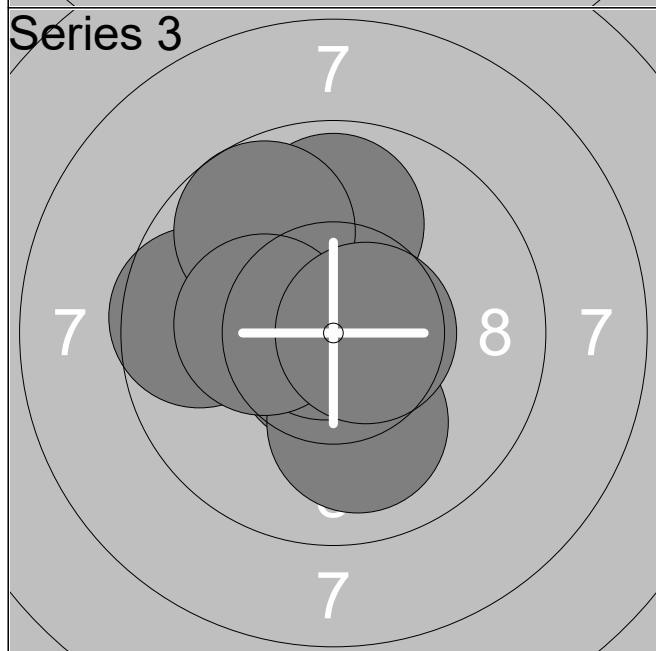
1:	10.1	↓
2:	10.0	↙
3:	9.6	↖
4:	10.0	↙
5:	9.1	↘
6:	9.8	↗
7:	9.4	↗
8:	9.6	←
9:	10.1	↗
10:	9.6	↖

Series	97 ( 0x)
	97 ( 0x)



1:	10.7x	↘
2:	10.5x	↓
3:	10.7x	↓
4:	10.3x	↗
5:	9.5	↖
6:	9.5	↘
7:	10.7x	↑
8:	9.5	→
9:	10.5x	↗
10:	10.4x	↑

Series	102 ( 7x)
	199 ( 7x)



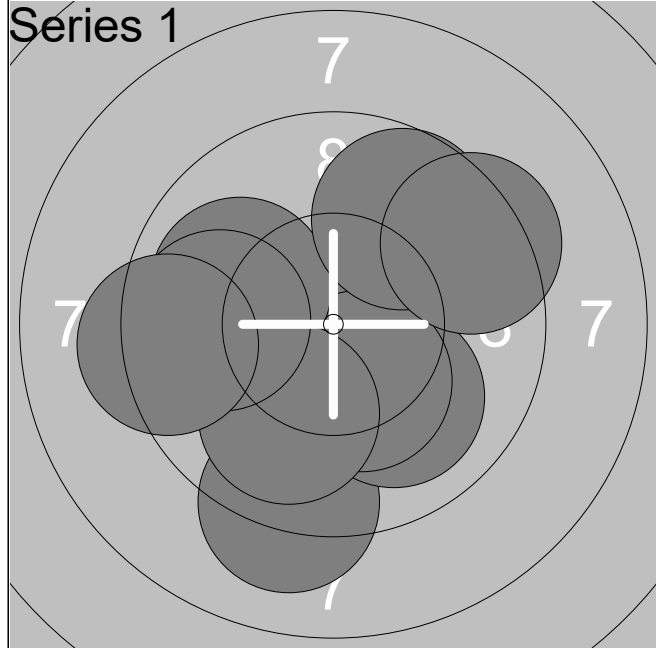
1:	10.2x	↖
2:	9.9	↑
3:	9.6	↖
4:	10.7x	↘
5:	10.0	↘
6:	9.9	↑
7:	10.8x	↖
8:	9.7	↗
9:	10.3x	↖
10:	10.6x	→

Series	101 ( 5x)
	301 ( 12x)

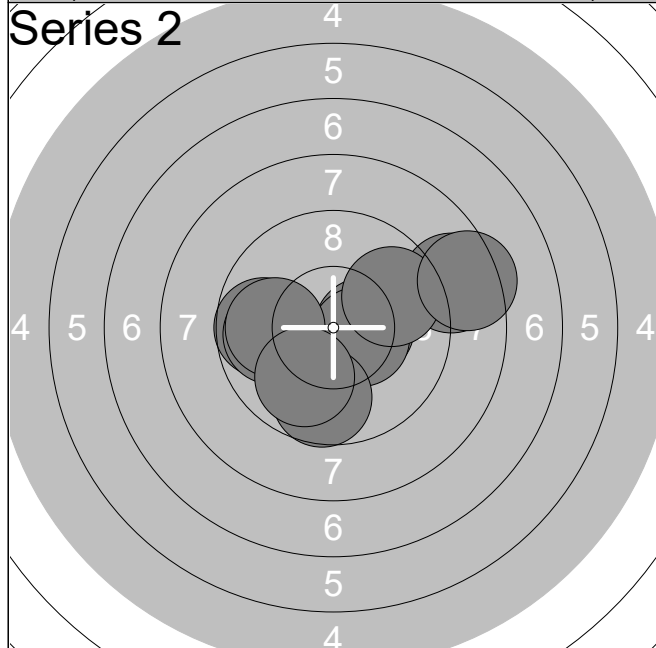
Relay <b>1</b>	Lane <b>4</b>	<b>Levi Trum</b>
-------------------	------------------	------------------

1 Mixed Team Rifle	NED	M	Rifle
--------------------	-----	---	-------

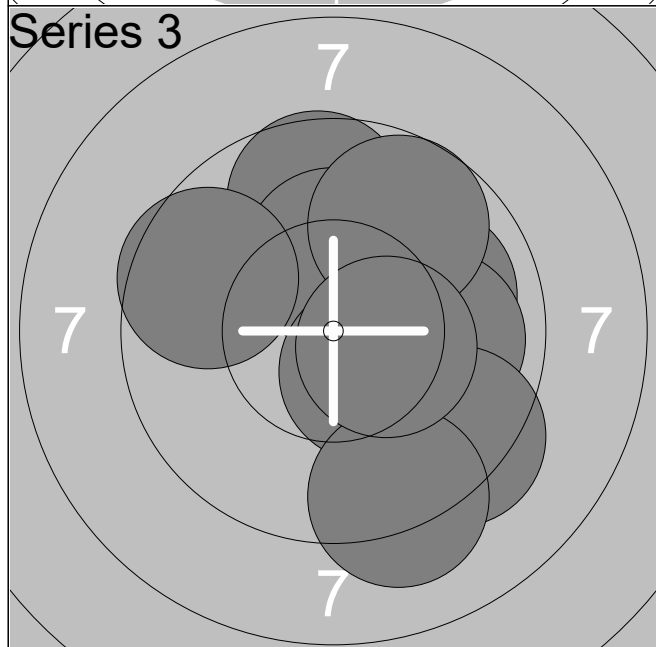
15.02.2024	Denmark Open Air 2024	Denmark Open Air 2024
------------	-----------------------	-----------------------



1:	9.1	↓
2:	10.0	↓
3:	10.5x	←
4:	10.3x	↓
5:	9.9	←
6:	9.9	↓
7:	9.7	↗
8:	9.4	↗
9:	9.8	←
10:	9.3	←
<b>Series</b>		<b>97 ( 2x)</b>
		<b>97 ( 2x)</b>



1:	10.4x	→
2:	9.7	←
3:	10.4x	→
4:	9.8	←
5:	9.9	←
6:	9.7	↓
7:	8.7	↗
8:	9.8	↗
9:	9.9	↓
10:	8.4	→
<b>Series</b>		<b>96 ( 2x)</b>
		<b>194 ( 4x)</b>

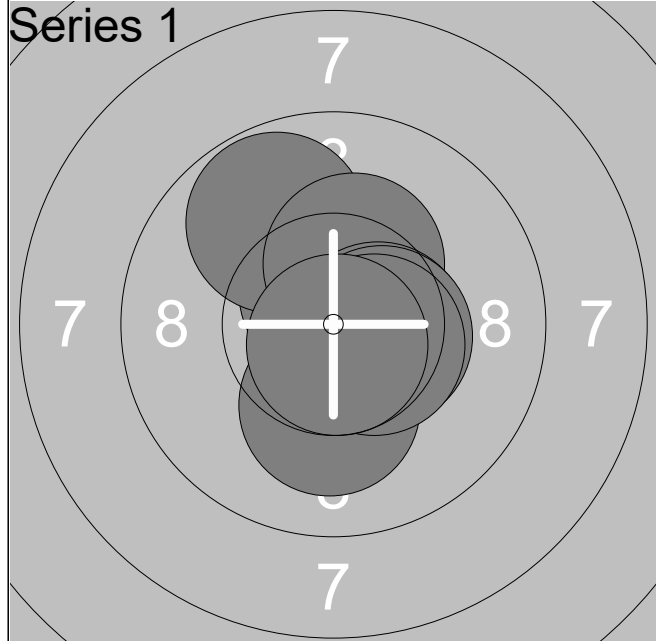


1:	9.7	↑
2:	9.9	↗
3:	10.2x	↑
4:	10.4x	↓
5:	9.9	→
6:	9.7	↗
7:	9.3	↓
8:	9.6	←
9:	9.2	↓
10:	10.4x	→
<b>Series</b>		<b>98 ( 3x)</b>
		<b>292 ( 7x)</b>

Relay <b>1</b>	Lane <b>6</b>	<b>Lovisa Bjare</b>
-------------------	------------------	---------------------

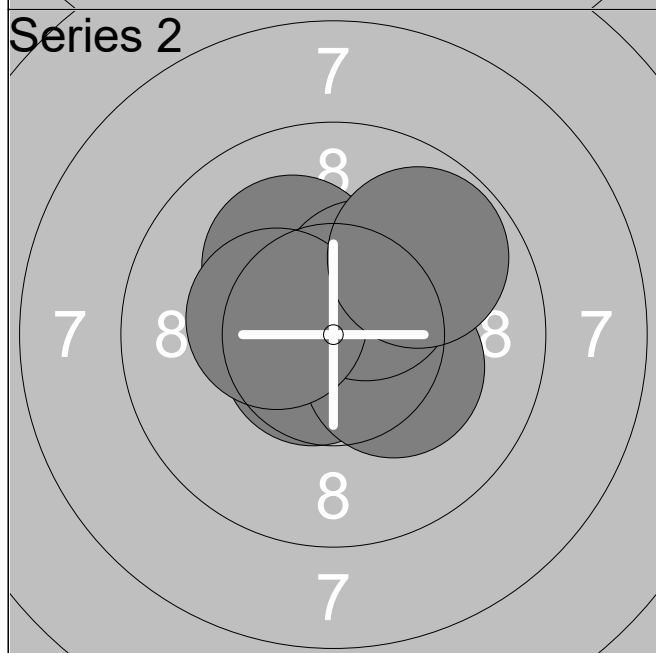
1 Mixed Team Rifle	SWE 2	W	Rifle
--------------------	-------	---	-------

15.02.2024	Denmark Open Air 2024	Denmark Open Air 2024
------------	-----------------------	-----------------------



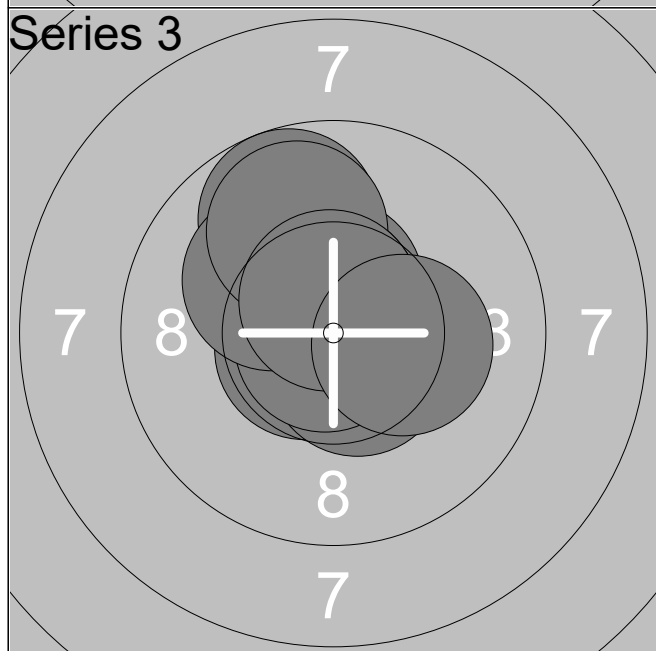
1:	10.5x	→
2:	10.6x	↑
3:	10.6x	↘
4:	9.8	↗
5:	10.3x	↑
6:	10.5x	→
7:	10.4x	→
8:	10.1	↓
9:	10.5x	↘
10:	10.7x	↓

Series	104 ( 8x)
	104 ( 8x)



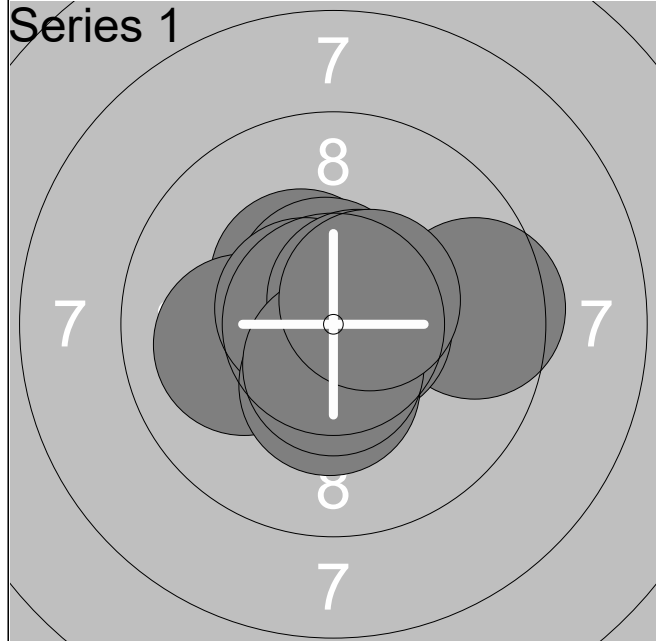
1:	10.6x	→
2:	10.7x	↖
3:	10.5x	↗
4:	10.6x	↙
5:	10.4x	↑
6:	10.2x	→
7:	10.1	↗
8:	10.4x	↗
9:	10.4x	↖
10:	9.8	↗

Series	103 ( 8x)
	207 (16x)



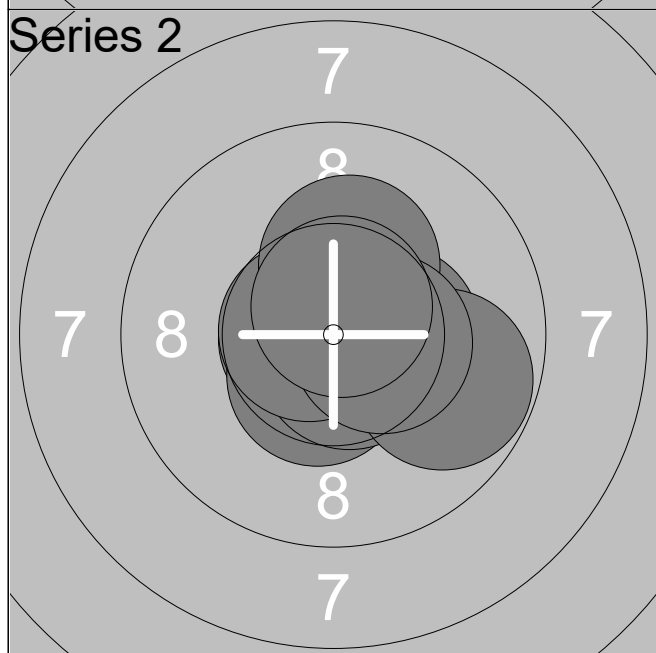
1:	10.5x	↑
2:	10.6x	↖
3:	10.5x	↘
4:	10.6x	↑
5:	10.8x	↙
6:	9.7	↗
7:	10.1	↗
8:	9.9	↗
9:	10.6x	↑
10:	10.2x	→

Series	103 ( 7x)
	311 (23x)



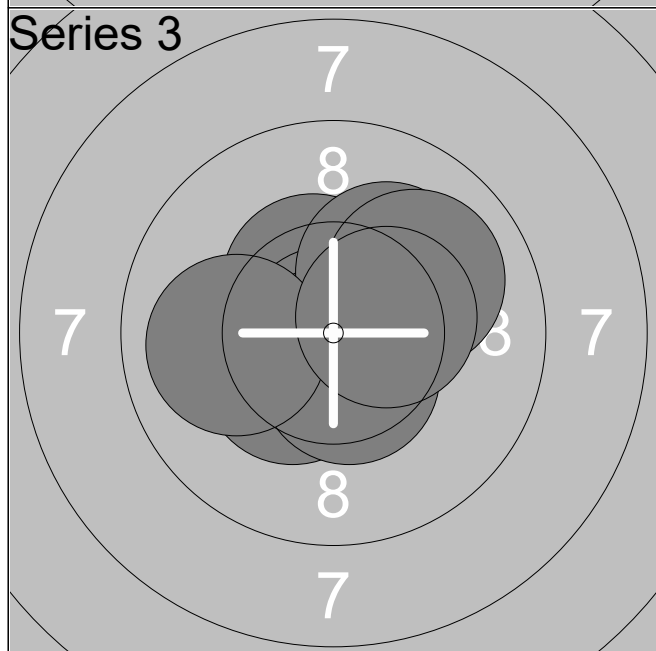
1:	10.4x	↗
2:	9.5	→
3:	10.0	←
4:	10.6x	↑
5:	10.7x	→
6:	10.6x	↖
7:	10.3x	↓
8:	10.6x	↗
9:	10.5x	↓
10:	10.5x	↗

Series	103 ( 8x)
103 ( 8x)	



1:	10.7x	←
2:	10.5x	↓
3:	10.4x	→
4:	10.8x	→
5:	10.6x	↓
6:	10.7x	←
7:	10.2x	↑
8:	9.7	→
9:	10.4x	→
10:	10.6x	↑

Series	104 ( 9x)
208 (17x)	



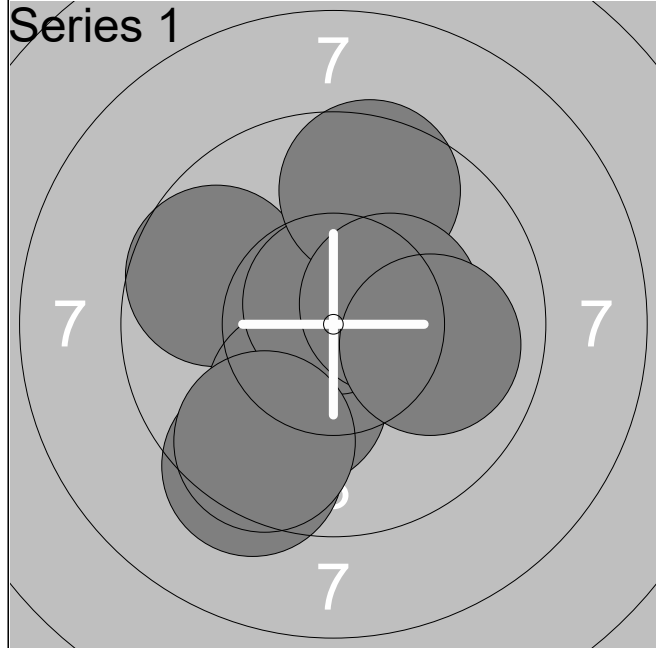
1:	10.4x	↗
2:	10.6x	↓
3:	10.9x	↖
4:	10.7x	↓
5:	10.3x	↖
6:	10.1	↗
7:	10.0	↗
8:	10.5x	↓
9:	10.0	←
10:	10.4x	→

Series	103 ( 7x)
312 (24x)	

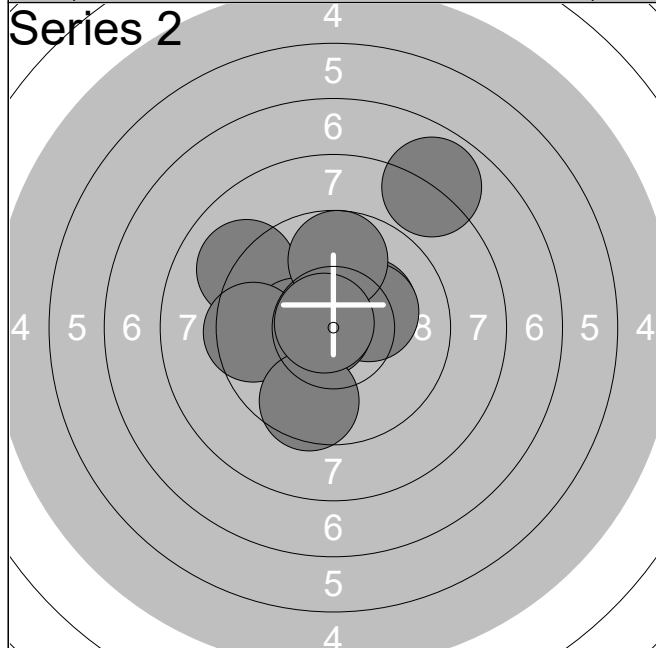
Relay <b>1</b>	Lane <b>8</b>	<b>Ditte Eliza Ladager</b>
-------------------	------------------	----------------------------

1 Mixed Team Rifle	DEN 1	W
--------------------	-------	---

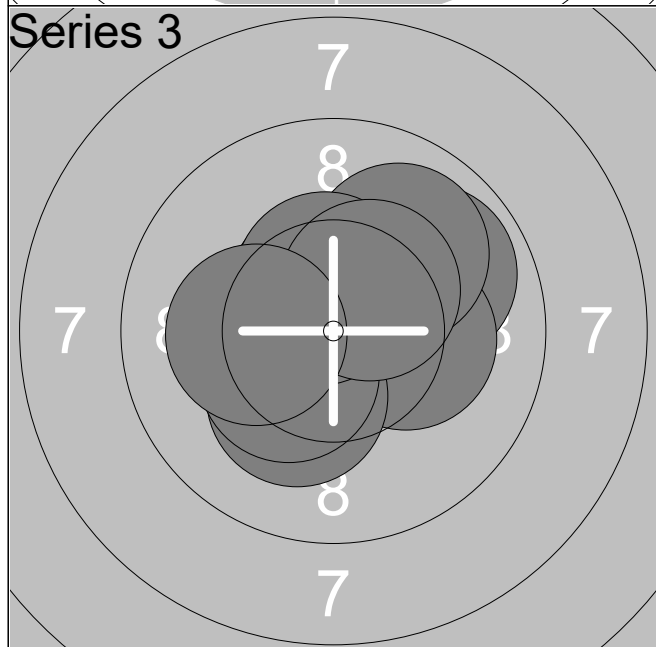
15.02.2024	Denmark Open Air 2024	Denmark Open Air 2024
------------	-----------------------	-----------------------



1:	9.7	↖
2:	9.3	↓
3:	10.6x	↗
4:	10.6x	→
5:	10.1	↓
6:	10.7x	↑
7:	9.6	↑
8:	10.3x	→
9:	10.0	→
10:	9.6	↓
<b>Series</b>		<b>100 ( 4x)</b>
		<b>100 ( 4x)</b>



1:	9.0	↖
2:	10.2x	↗
3:	10.2x	↗
4:	10.7x	←
5:	10.3x	←
6:	9.7	↑
7:	9.5	←
8:	9.5	↓
9:	7.8	↗
10:	10.7x	↖
<b>Series</b>		<b>97 ( 5x)</b>
		<b>198 ( 9x)</b>

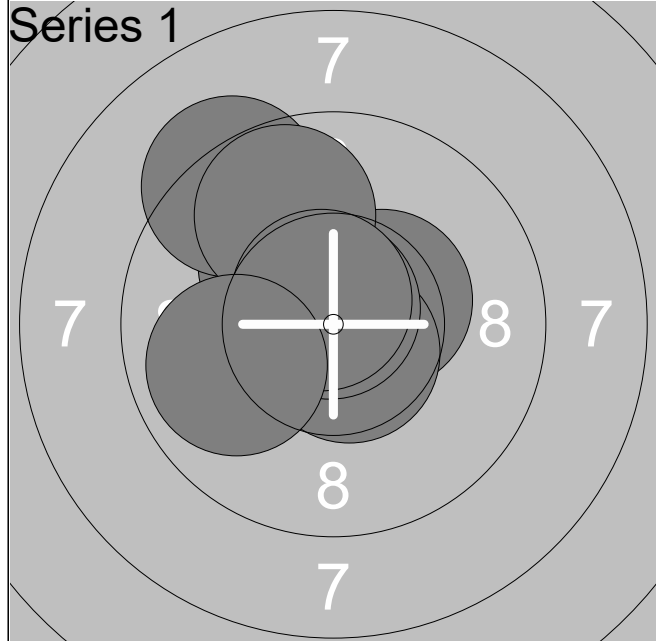


1:	9.8	↗
2:	10.7x	↗
3:	10.2x	→
4:	10.2x	↓
5:	10.3x	↙
6:	9.9	↗
7:	10.5x	↑
8:	10.4x	↑
9:	10.4x	↗
10:	10.2x	←
<b>Series</b>		<b>102 ( 8x)</b>
		<b>300 (17x)</b>

Relay <b>1</b>	Lane <b>9</b>	<b>Martin Black Jørgensen</b>
-------------------	------------------	-------------------------------

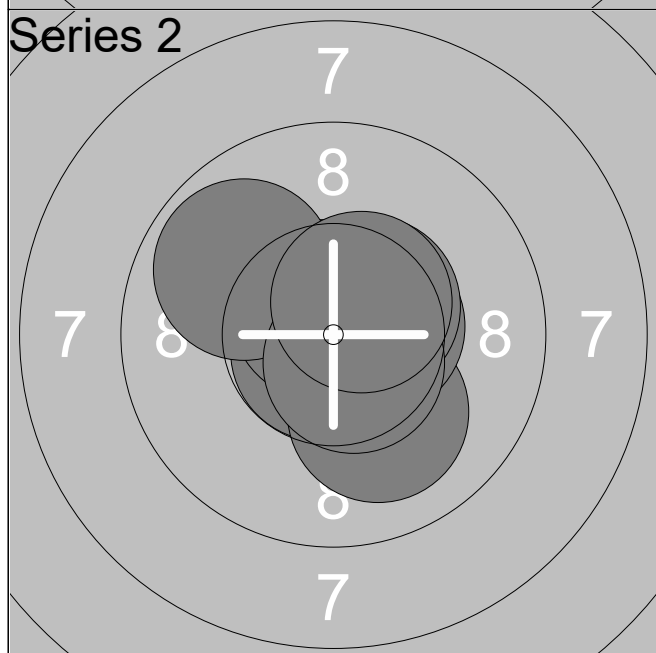
1 Mixed Team Rifle	DEN 1	M	Rifle
--------------------	-------	---	-------

15.02.2024	Denmark Open Air 2024	Denmark Open Air 2024
------------	-----------------------	-----------------------



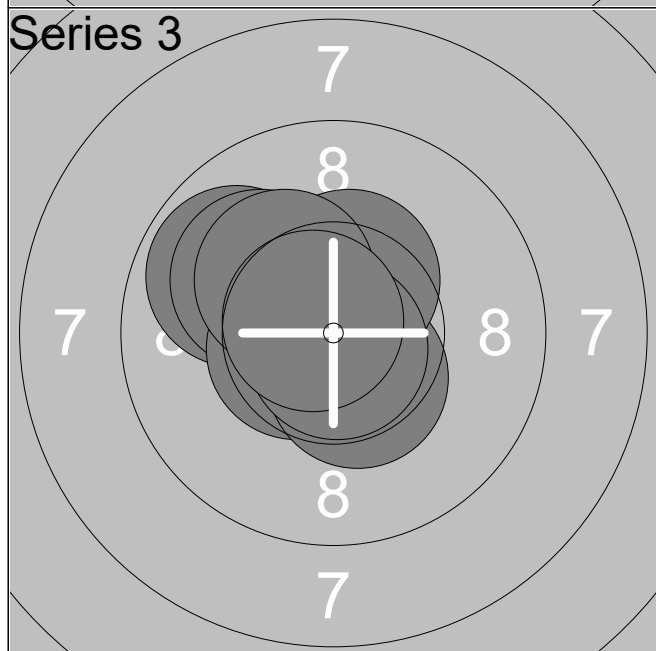
1:	10.2x	↗
2:	10.6x	↖
3:	10.6x	↑
4:	10.4x	↗
5:	10.6x	↘
6:	9.2	↗
7:	10.8x	↑
8:	9.7	↗
9:	10.7x	↗
10:	9.9	↖

Series	102 ( 7x)
	102 ( 7x)



1:	10.8x	↓
2:	10.8x	↓
3:	10.7x	↘
4:	10.7x	↗
5:	10.1	↘
6:	10.5x	→
7:	10.5x	↗
8:	9.8	↗
9:	10.6x	↘
10:	10.5x	↗

Series	105 ( 8x)
	207 (15x)



1:	9.8	↗
2:	10.0	↗
3:	10.7x	↗
4:	10.8x	↗
5:	10.5x	↖
6:	10.4x	↘
7:	10.4x	↑
8:	10.8x	↘
9:	10.2x	↗
10:	10.7x	↗

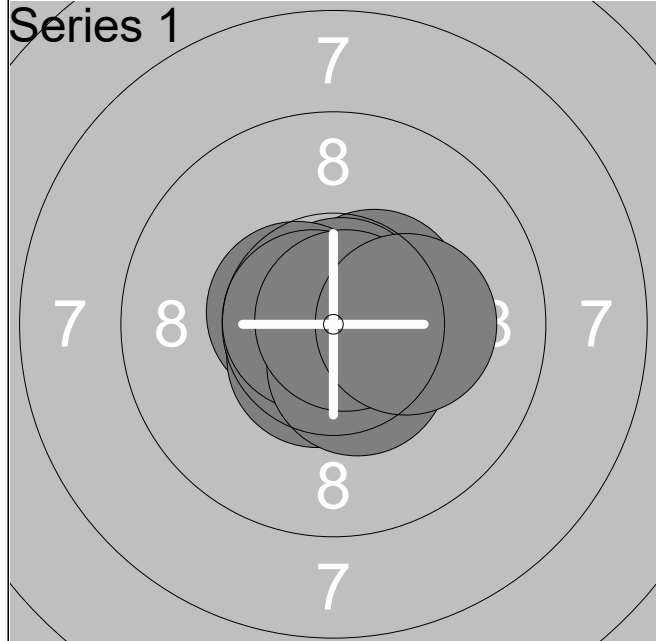
Series	104 ( 8x)
	312 (23x)



Relay <b>1</b>	Lane <b>11</b>	<b>Seonaid McIntosh</b>
-------------------	-------------------	-------------------------

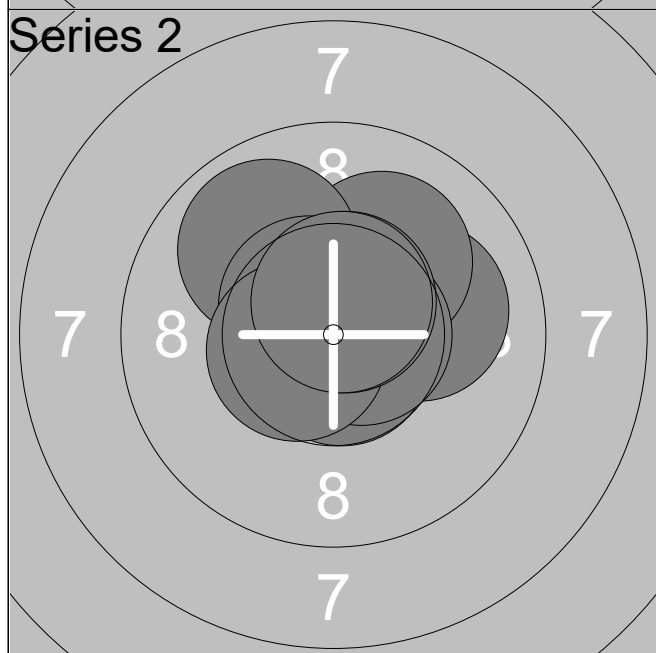
1 Mixed Team Rifle	GBR	W	Rifle
--------------------	-----	---	-------

15.02.2024	Denmark Open Air 2024	Denmark Open Air 2024
------------	-----------------------	-----------------------



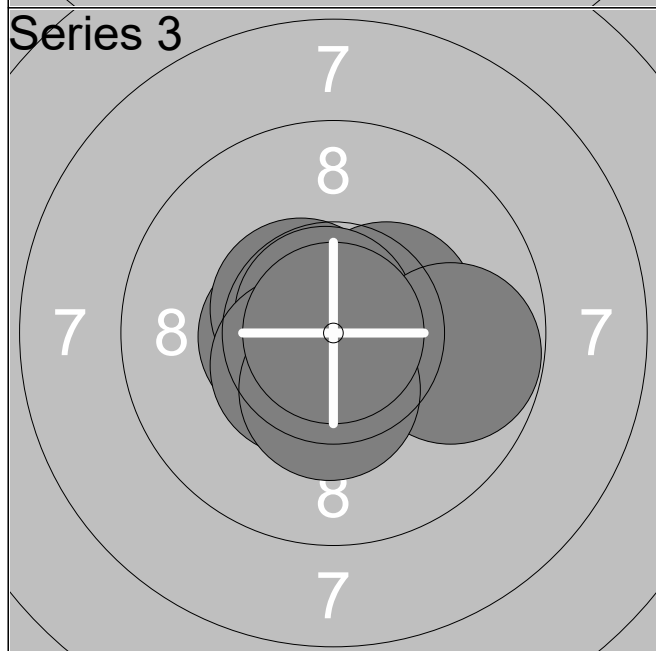
1:	10.9x	↓
2:	10.5x	↗
3:	10.7x	↓
4:	10.8x	↗
5:	10.6x	↖
6:	10.6x	↓
7:	10.7x	↖
8:	10.4x	↓
9:	10.8x	↗
10:	10.2x	→

Series	106 (10x)
	106 (10x)



1:	10.7x	↓
2:	10.0	→
3:	10.1	↗
4:	10.7x	↗
5:	9.9	↗
6:	10.7x	→
7:	10.6x	↗
8:	10.5x	↖
9:	10.6x	↗
10:	10.6x	↗

Series	104 ( 7x)
	210 (17x)



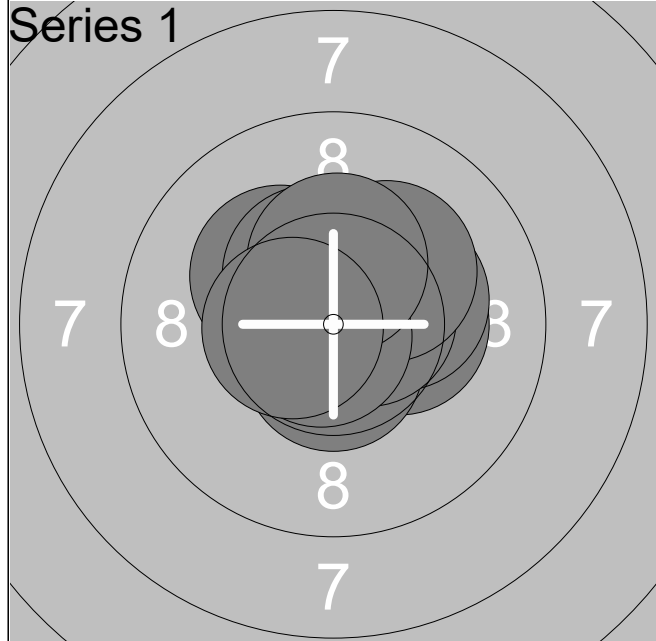
1:	10.5x	↖
2:	10.5x	↖
3:	10.9x	↓
4:	10.6x	↓
5:	10.4x	↗
6:	10.7x	↗
7:	9.7	→
8:	10.5x	↖
9:	10.4x	↓
10:	10.9x	

Series	105 ( 9x)
	315 (26x)

Relay <b>1</b>	Lane <b>12</b>	<b>Dean Bale</b>
-------------------	-------------------	------------------

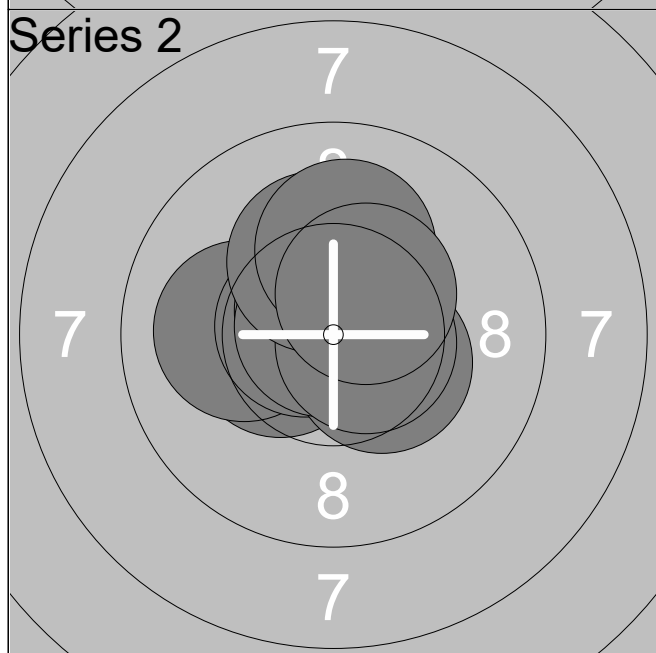
1 Mixed Team Rifle	GBR	M	Rifle
--------------------	-----	---	-------

15.02.2024	Denmark Open Air 2024	Denmark Open Air 2024
------------	-----------------------	-----------------------



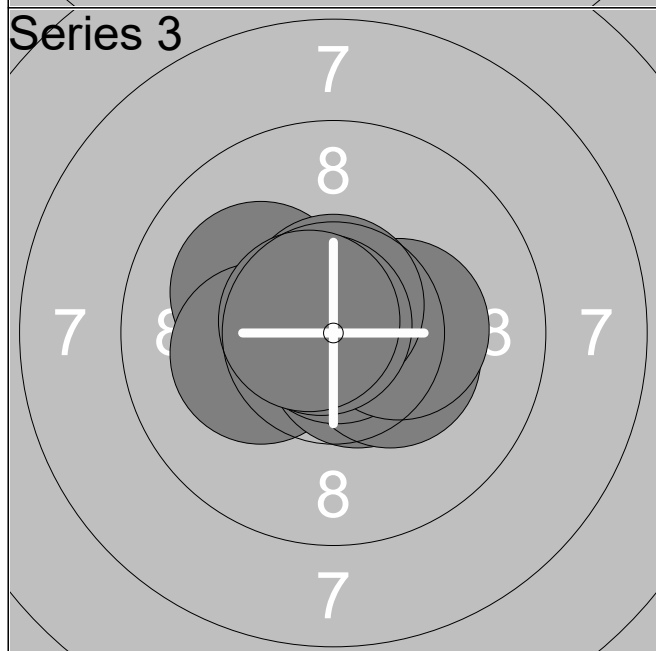
1:	10.3x	→
2:	10.6x	↓
3:	10.2x	↗
4:	10.4x	↖
5:	10.2x	→
6:	10.6x	→
7:	10.2x	↗
8:	10.7x	↙
9:	10.3x	↑
10:	10.5x	←

Series	104 (10x)
	104 (10x)



1:	10.4x	←
2:	10.1	←
3:	10.6x	←
4:	10.4x	↘
5:	10.7x	↖
6:	10.8x	↗
7:	10.6x	→
8:	10.2x	↑
9:	10.1	↑
10:	10.4x	↗

Series	104 ( 8x)
	208 (18x)



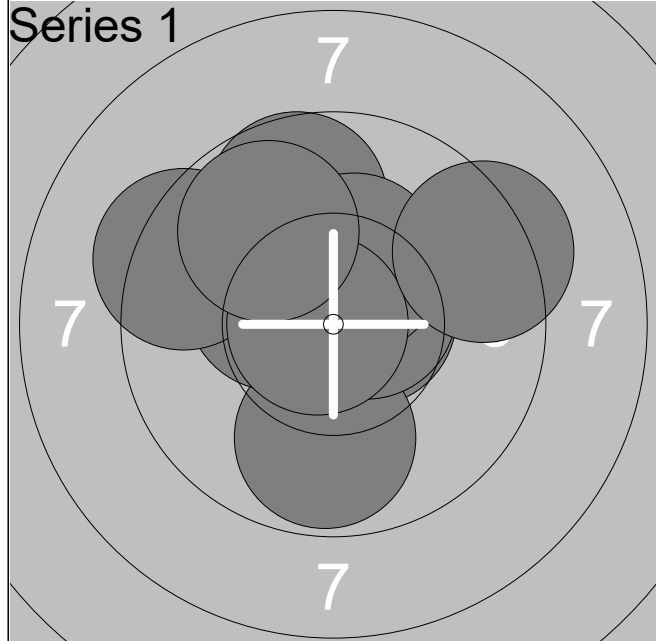
1:	10.1	↖
2:	10.8x	↗
3:	10.2x	←
4:	10.6x	↘
5:	10.3x	↘
6:	10.9x	→
7:	10.3x	→
8:	10.6x	↑
9:	10.8x	↖
10:	10.7x	↖

Series	105 ( 9x)
	313 (27x)

Relay <b>1</b>	Lane <b>13</b>	<b>Maja Pedersen</b>
-------------------	-------------------	----------------------

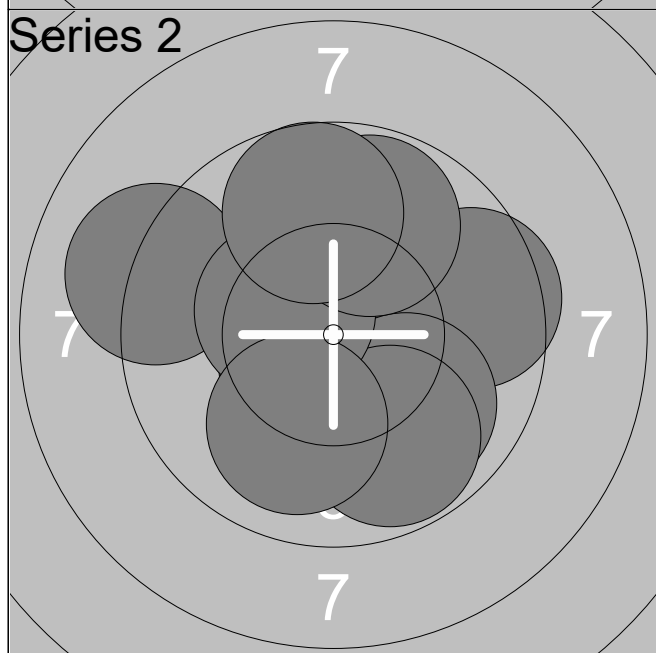
1 Mixed Team Rifle	DEN 2	W	Rifle
--------------------	-------	---	-------

15.02.2024	Denmark Open Air 2024	Denmark Open Air 2024
------------	-----------------------	-----------------------



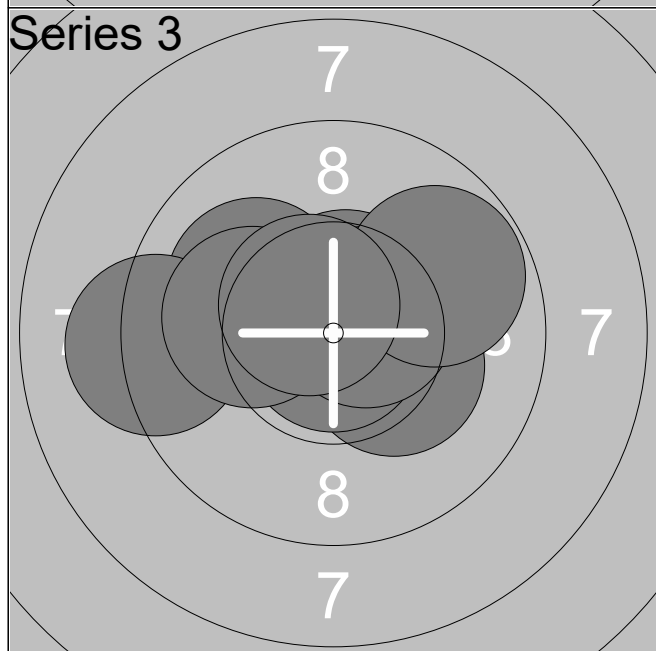
1:	10.6x	→
2:	9.7	↑
3:	9.8	↓
4:	10.6x	→
5:	10.3x	↑
6:	10.3x	←
7:	9.3	←
8:	10.8x	←
9:	9.8	↑
10:	9.3	→

Series	100 ( 5x)
	100 ( 5x)



1:	9.5	→
2:	9.1	←
3:	10.5x	↓
4:	10.6x	↙
5:	10.0	↘
6:	9.8	↘
7:	10.4x	↖
8:	10.0	↘
9:	9.8	↑
10:	9.7	↑

Series	99 ( 3x)
	199 ( 8x)



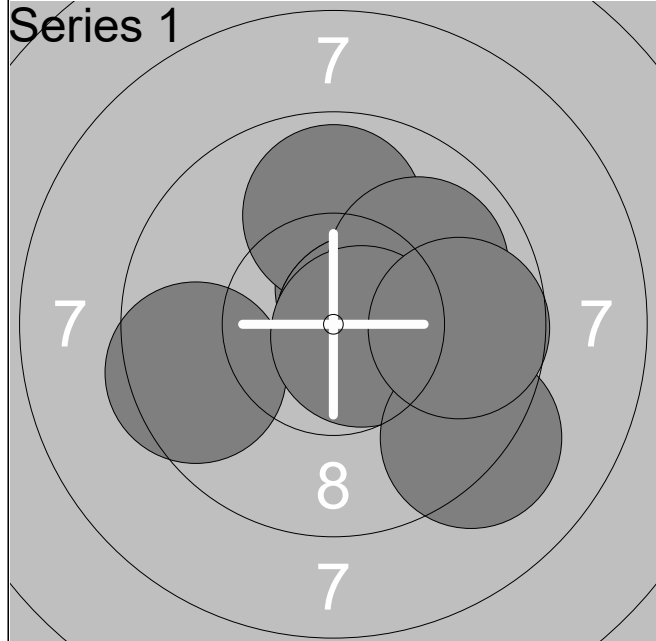
1:	10.2x	↘
2:	10.4x	←
3:	10.6x	↑
4:	10.9x	↓
5:	10.1	↖
6:	9.2	←
7:	10.1	←
8:	10.6x	→
9:	9.8	→
10:	10.5x	↖

Series	102 ( 6x)
	302 (14x)

Relay <b>1</b>	Lane <b>14</b>	<b>Matias Ligaard</b>
-------------------	-------------------	-----------------------

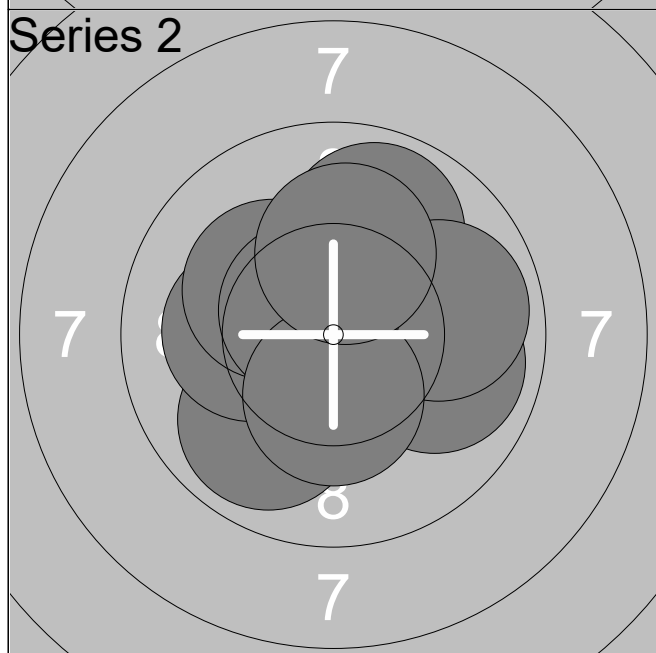
1 Mixed Team Rifle	DEN 2	M	Rifle
--------------------	-------	---	-------

15.02.2024	Denmark Open Air 2024	Denmark Open Air 2024
------------	-----------------------	-----------------------



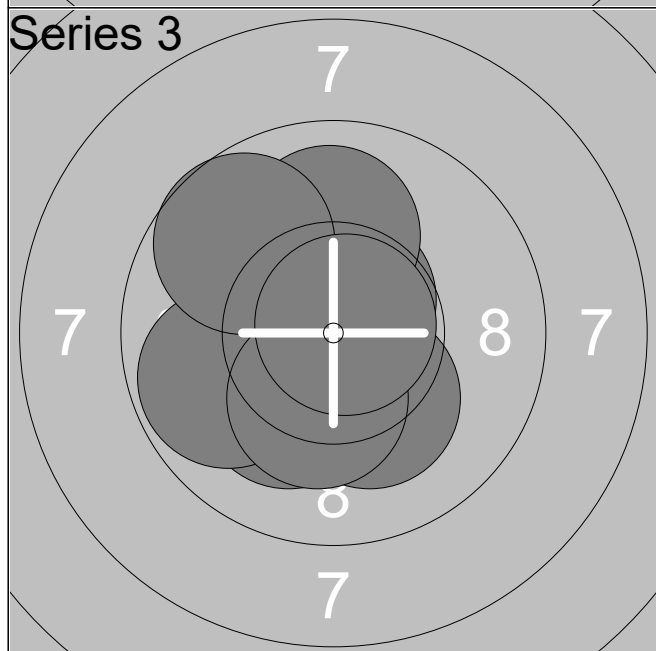
1:	10.4x	↗
2:	9.9	↑
3:	9.5	←
4:	10.6x	→
5:	10.6x	→
6:	10.4x	→
7:	9.9	↗
8:	10.6x	↘
9:	9.2	↘
10:	9.7	→

Series	100 ( 5x)
	100 ( 5x)



1:	9.8	↘
2:	10.5x	↘
3:	10.1	←
4:	9.9	↑
5:	10.2x	↗
6:	9.9	→
7:	9.9	→
8:	10.6x	↗
9:	10.3x	↓
10:	10.1	↑

Series	101 ( 4x)
	202 ( 9x)



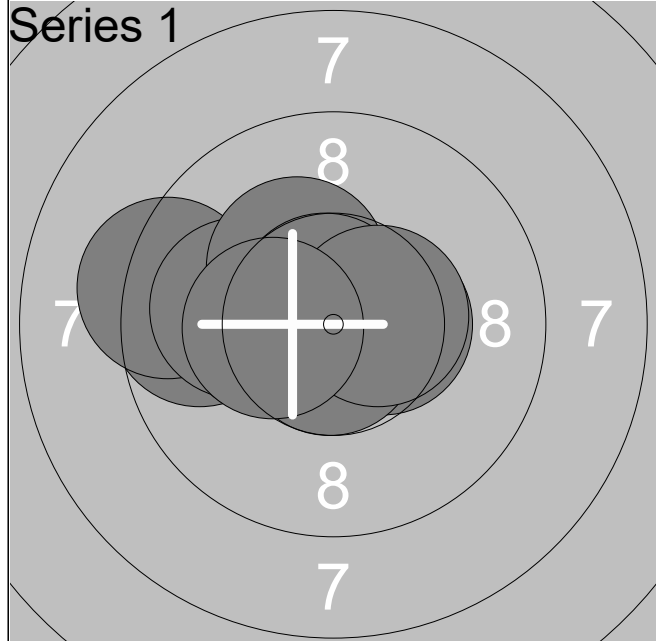
1:	10.4x	←
2:	10.2x	↘
3:	10.2x	↘
4:	10.6x	↑
5:	10.0	↑
6:	10.7x	←
7:	9.8	←
8:	9.7	↗
9:	10.3x	↓
10:	10.8x	↗

Series	102 ( 7x)
	304 ( 16x)

Relay <b>1</b>	Lane <b>16</b>	<b>Hannah Göransson</b>
-------------------	-------------------	-------------------------

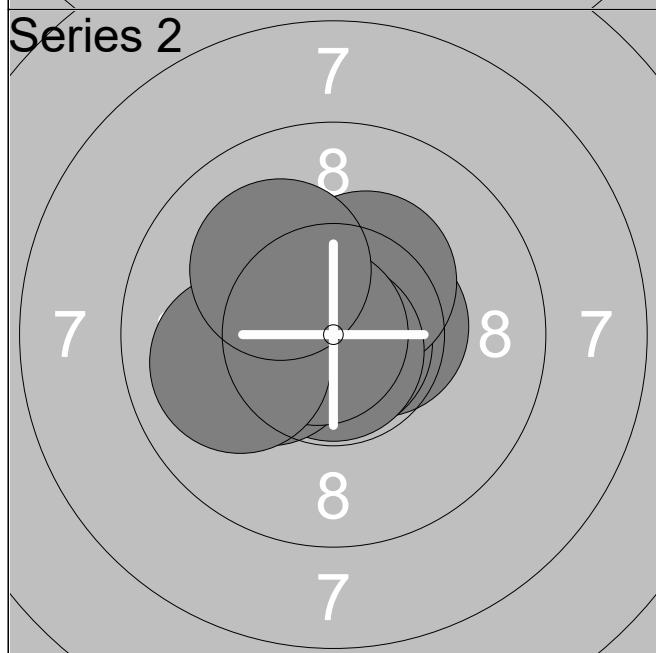
1 Mixed Team Rifle	SWE 3	W	Rifle
--------------------	-------	---	-------

15.02.2024	Denmark Open Air 2024	Denmark Open Air 2024
------------	-----------------------	-----------------------



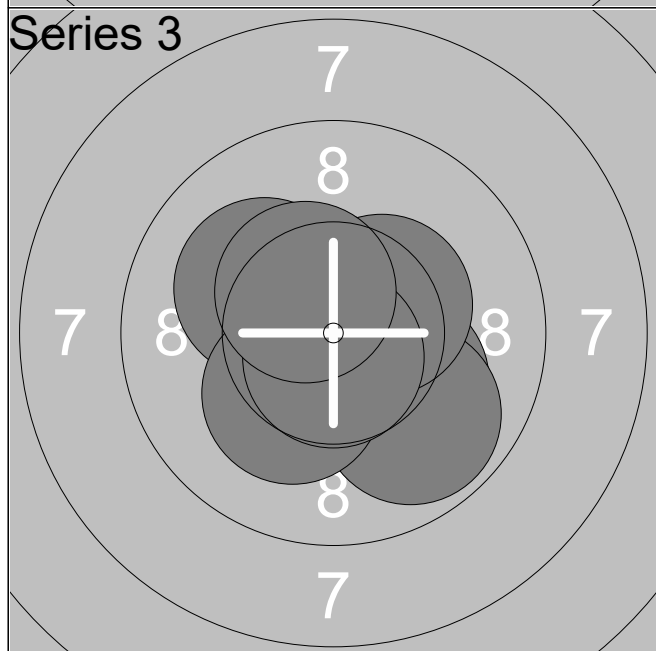
1:	9.6	←
2:	9.3	←
3:	10.3x	←
4:	10.0	←
5:	10.5x	→
6:	10.7x	↓
7:	10.3x	↗
8:	10.7x	↗
9:	10.5x	→
10:	10.3x	←

Series	102 ( 7x)
	102 ( 7x)



1:	10.7x	←
2:	10.5x	→
3:	10.8x	↓
4:	10.3x	↗
5:	10.3x	←
6:	10.8x	↓
7:	10.2x	←
8:	10.8x	←
9:	10.0	←
10:	10.1	↗

Series	104 ( 8x)
	206 (15x)



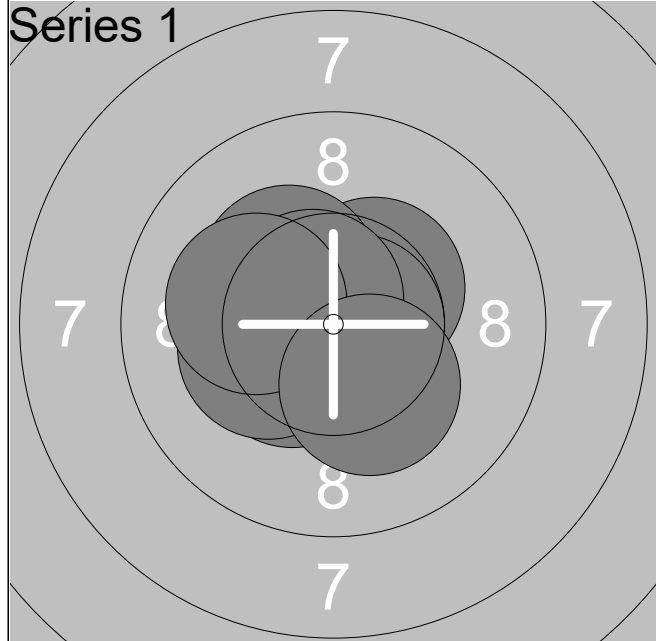
1:	10.9x	↑
2:	10.1	↘
3:	10.6x	←
4:	10.1	↗
5:	9.8	↘
6:	10.7x	↑
7:	10.4x	↗
8:	10.2x	↘
9:	10.7x	↓
10:	10.4x	↗

Series	103 ( 7x)
	310 (22x)

Relay <b>1</b>	Lane <b>17</b>	<b>Viktor Klemmedsson</b>
-------------------	-------------------	---------------------------

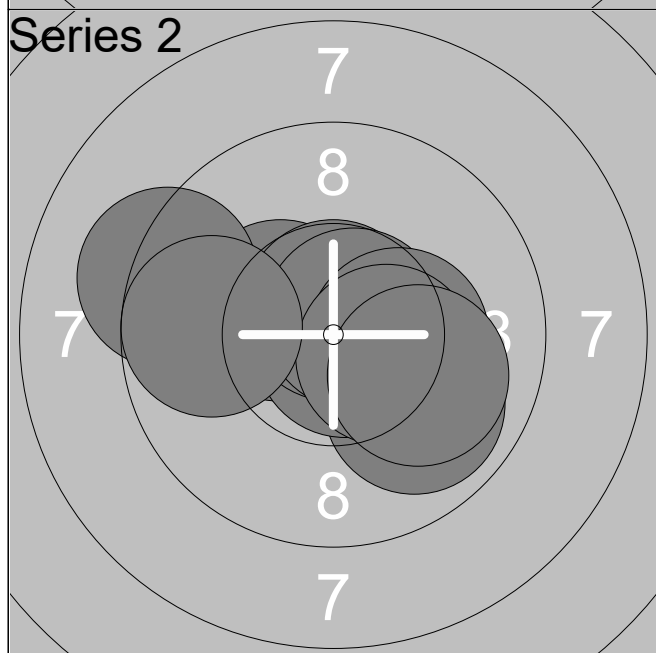
1 Mixed Team Rifle	SWE 3	M	Rifle
--------------------	-------	---	-------

15.02.2024	Denmark Open Air 2024	Denmark Open Air 2024
------------	-----------------------	-----------------------



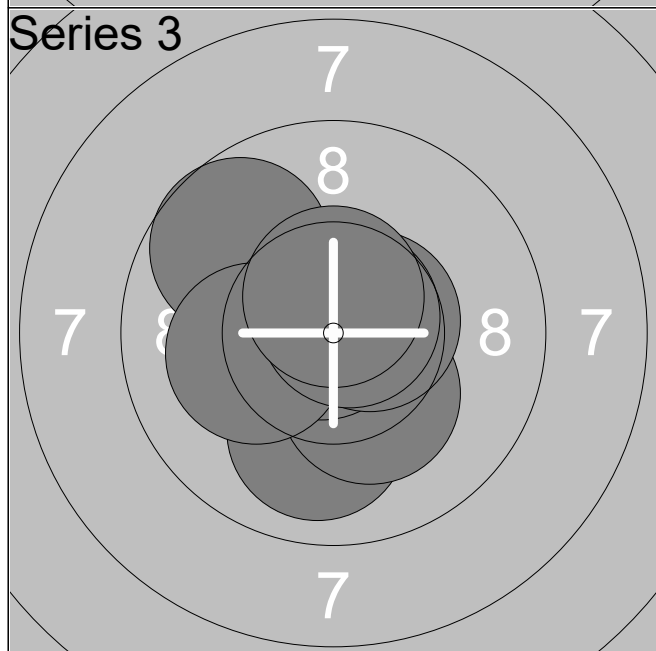
1:	10.4x	↗
2:	10.6x	←
3:	10.3x	↗
4:	10.7x	→
5:	10.7x	←
6:	10.4x	↙
7:	10.6x	↗
8:	10.3x	←
9:	10.2x	←
10:	10.2x	↓

Series	104 (10x)
	104 (10x)



1:	10.3x	↖
2:	9.2	↖
3:	9.9	↘
4:	10.7x	↘
5:	10.7x	↑
6:	10.7x	↗
7:	10.3x	→
8:	10.4x	↘
9:	10.0	↘
10:	9.7	←

Series	101 ( 6x)
	206 (16x)



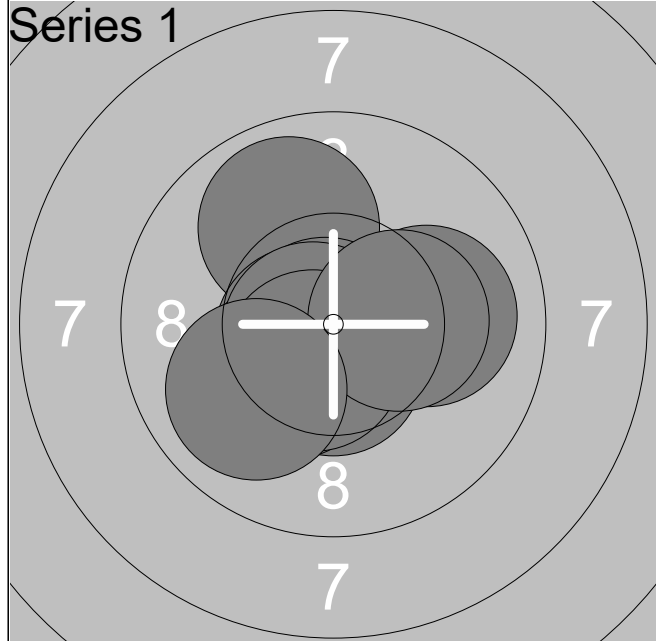
1:	10.5x	↘
2:	9.7	↗
3:	10.0	↓
4:	10.7x	→
5:	10.2x	↘
6:	10.8x	←
7:	10.5x	→
8:	10.1	←
9:	10.7x	↗
10:	10.6x	↑

Series	103 ( 7x)
	310 (23x)

Relay <b>1</b>	Lane <b>18</b>	<b>Mikkeline Vibe Christensen</b>		
-------------------	-------------------	-----------------------------------	--	--

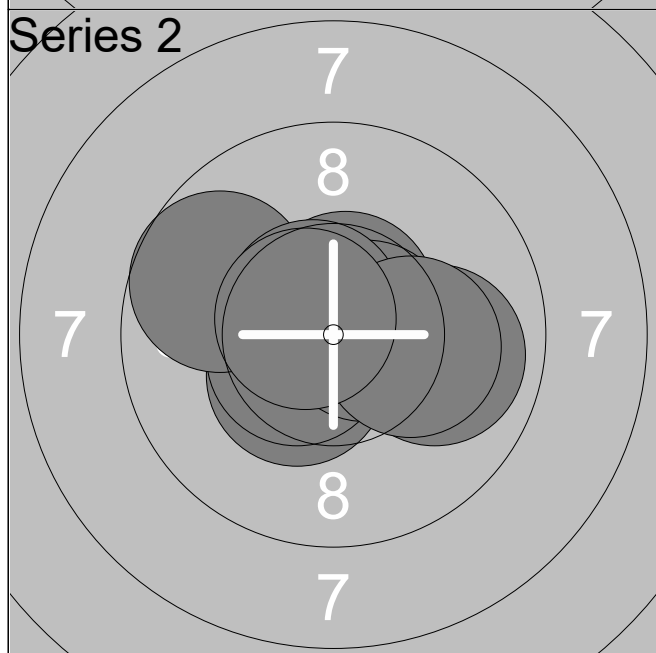
1 Mixed Team Rifle	DEN 3	W	Rifle
--------------------	-------	---	-------

15.02.2024	Denmark Open Air 2024	Denmark Open Air 2024
------------	-----------------------	-----------------------



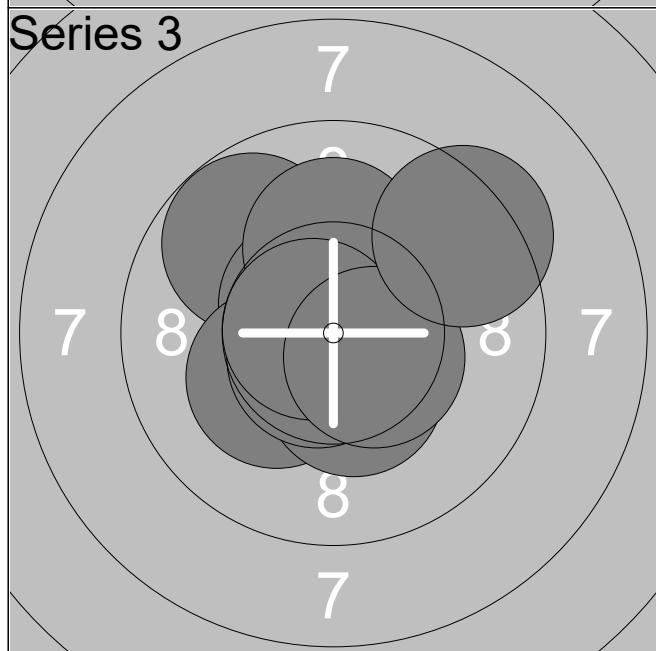
1:	10.5x	↓
2:	10.0	→
3:	9.9	↗
4:	10.6x	←
5:	10.8x	←
6:	10.3x	↙
7:	10.7x	←
8:	10.5x	↘
9:	10.3x	→
10:	9.9	↙

Series	103 ( 7x)
	103 ( 7x)



1:	10.4x	↙
2:	9.9	→
3:	10.6x	↗
4:	10.5x	←
5:	10.5x	←
6:	9.7	↖
7:	10.6x	→
8:	10.6x	↗
9:	10.1	→
10:	10.6x	↖

Series	103 ( 7x)
	207 (14x)



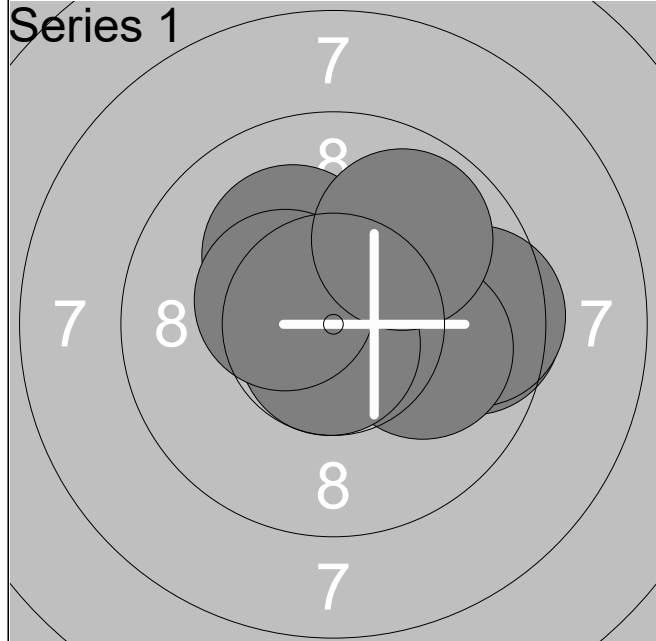
1:	9.7	↗
2:	10.6x	↗
3:	10.2x	↙
4:	10.4x	↓
5:	10.7x	↗
6:	10.1	↑
7:	10.6x	↘
8:	10.7x	←
9:	10.5x	↘
10:	9.3	↗

Series	102 ( 7x)
	309 (21x)

Relay <b>1</b>	Lane <b>19</b>	<b>Sylvester Svendsen</b>
-------------------	-------------------	---------------------------

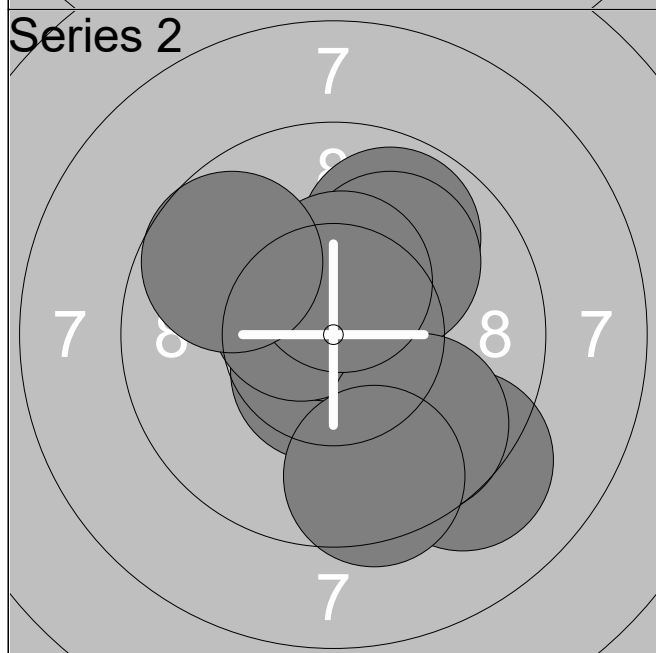
1 Mixed Team Rifle	DEN 3	M	Rifle
--------------------	-------	---	-------

15.02.2024	Denmark Open Air 2024	Denmark Open Air 2024
------------	-----------------------	-----------------------



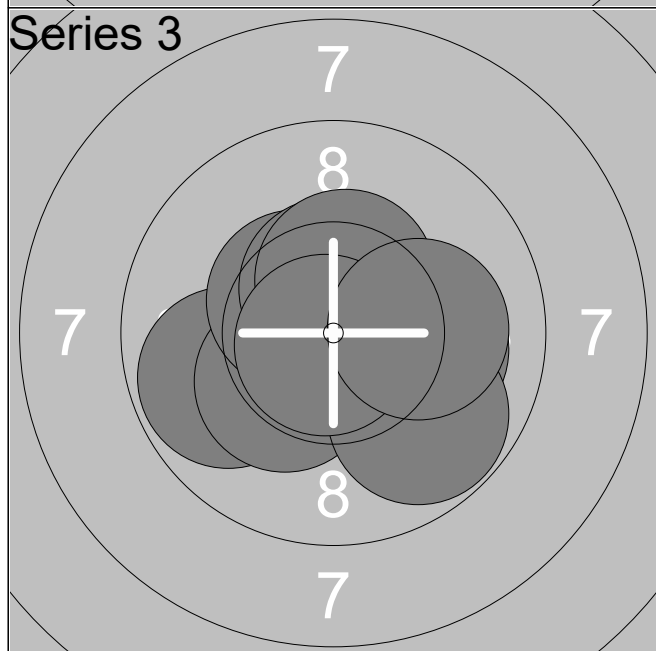
1:	10.4x	↑
2:	10.0	→
3:	10.1	↗
4:	9.6	→
5:	9.5	→
6:	10.7x	↖
7:	10.0	→
8:	10.7x	↓
9:	10.4x	↖
10:	9.9	↗

Series	101 ( 4x)
	101 ( 4x)



1:	9.8	↗
2:	10.0	↗
3:	10.5x	↓
4:	10.7x	↑
5:	9.1	↘
6:	10.5x	↗
7:	9.7	↘
8:	9.5	↓
9:	10.4x	↑
10:	9.7	↖

Series	99 ( 4x)
	201 ( 8x)



1:	9.8	↖
2:	10.2x	↖
3:	10.6x	↗
4:	10.4x	↗
5:	10.1	→
6:	9.8	↘
7:	10.5x	↑
8:	10.4x	↑
9:	10.8x	↘
10:	10.1	→

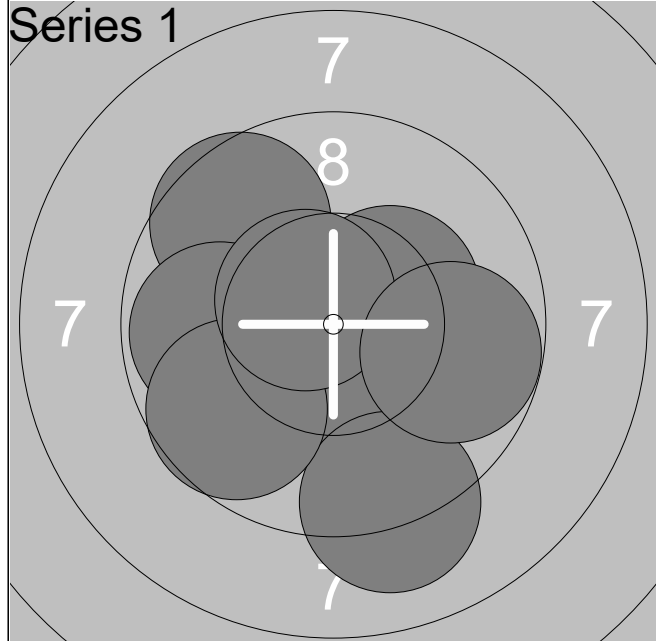
Series	102 ( 6x)
	303 (14x)



Relay <b>1</b>	Lane <b>21</b>	<b>Tabea Marquardt</b>
-------------------	-------------------	------------------------

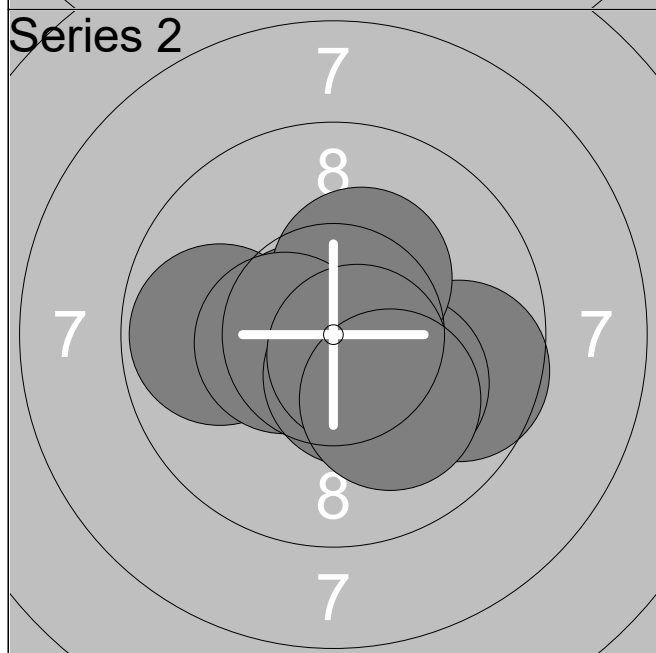
1 Mixed Team Rifle	GER	W	Rifle
--------------------	-----	---	-------

15.02.2024	Denmark Open Air 2024	Denmark Open Air 2024
------------	-----------------------	-----------------------



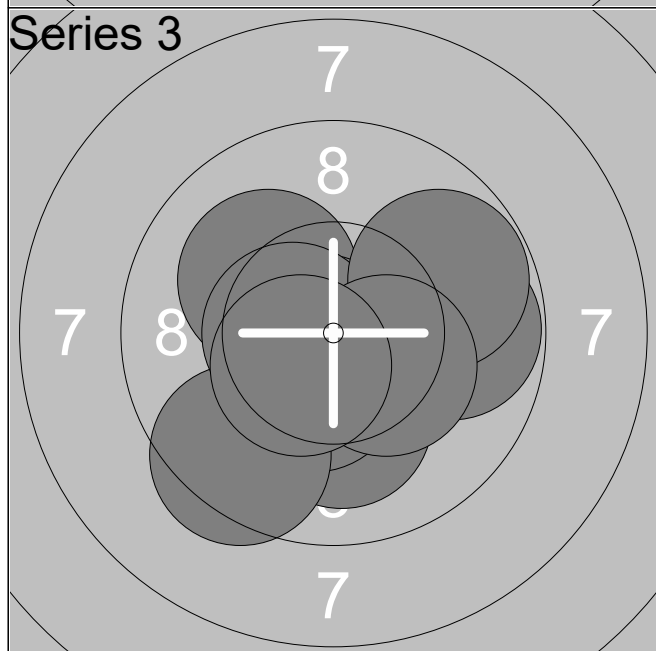
1:	10.3x	↘
2:	10.5x	→
3:	10.3x	↗
4:	10.7x	↓
5:	9.6	↗
6:	9.1	↓
7:	9.8	←
8:	9.6	↙
9:	10.6x	↗
10:	9.7	→

Series	100 ( 5x)
	100 ( 5x)



1:	9.6	→
2:	10.7x	←
3:	10.8x	↗
4:	9.8	←
5:	10.1	↘
6:	10.3x	↗
7:	10.4x	←
8:	10.5x	↓
9:	10.6x	↘
10:	10.1	↘

Series	102 ( 6x)
	203 (11x)



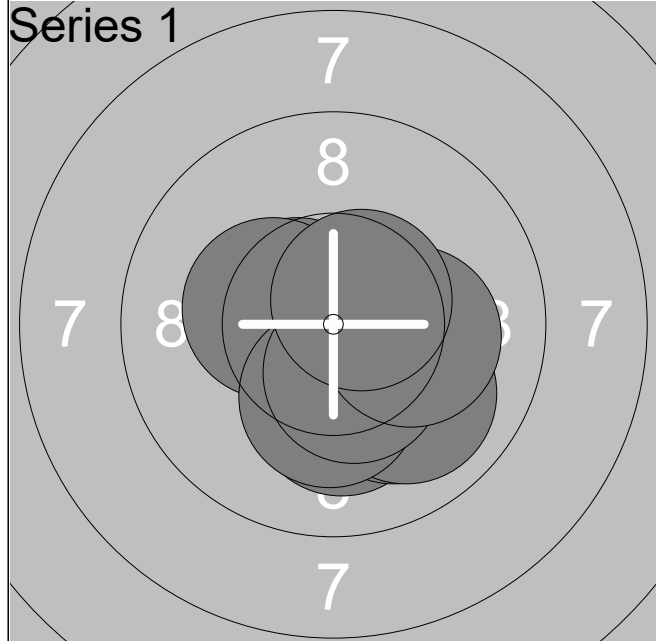
1:	10.1	↗
2:	10.1	↓
3:	10.4x	↓
4:	9.4	↙
5:	10.8x	↙
6:	9.8	→
7:	10.5x	←
8:	9.8	↗
9:	10.3x	↘
10:	10.5x	↙

Series	101 ( 5x)
	304 (16x)

Relay <b>1</b>	Lane <b>22</b>	<b>Anton Salomonsson</b>
-------------------	-------------------	--------------------------

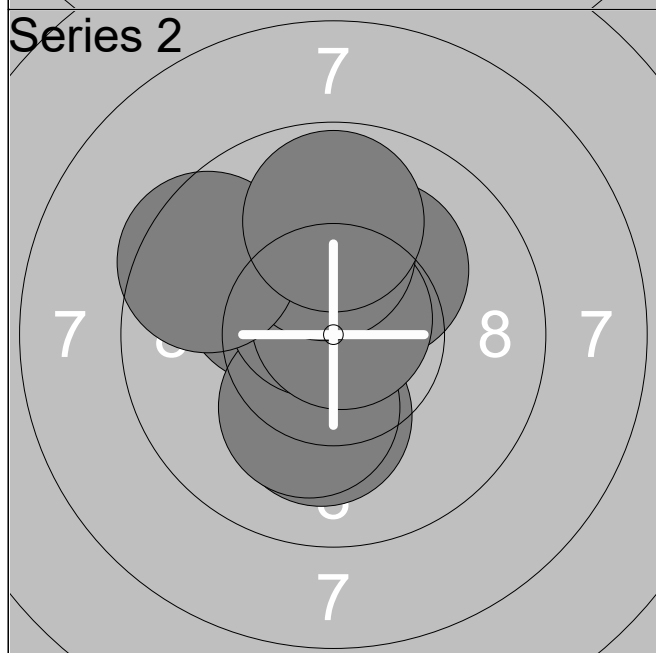
1 Mixed Team Rifle	SWE	M
--------------------	-----	---

15.02.2024	Denmark Open Air 2024	Denmark Open Air 2024
------------	-----------------------	-----------------------



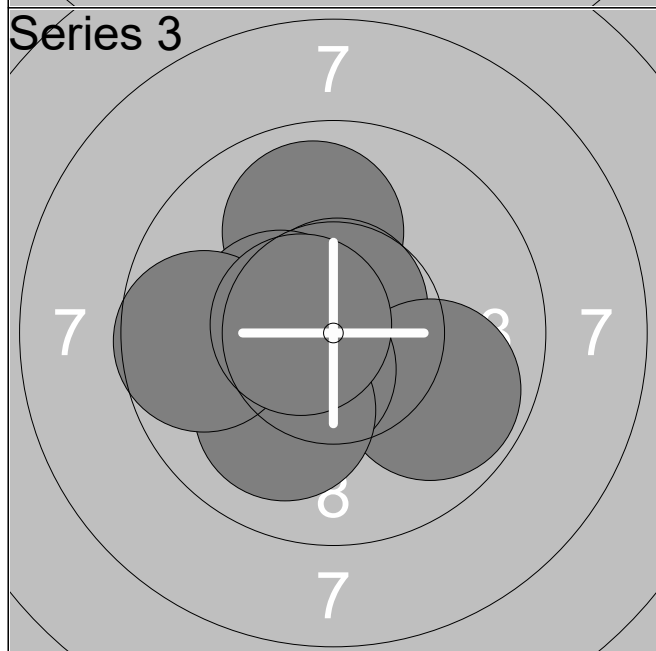
1:	10.5x	↖
2:	10.4x	↓
3:	10.3x	↖
4:	10.1	↓
5:	10.0	↓
6:	9.9	↘
7:	10.2x	↓
8:	10.4x	↓
9:	10.1	→
10:	10.6x	↗

Series	102 ( 6x)
	102 ( 6x)



1:	10.2x	↖
2:	10.7x	↑
3:	10.1	↗
4:	10.1	↓
5:	10.2x	↓
6:	10.6x	↖
7:	10.8x	↗
8:	10.1	↑
9:	9.5	↖
10:	9.8	↑

Series	102 ( 5x)
	204 ( 11x)



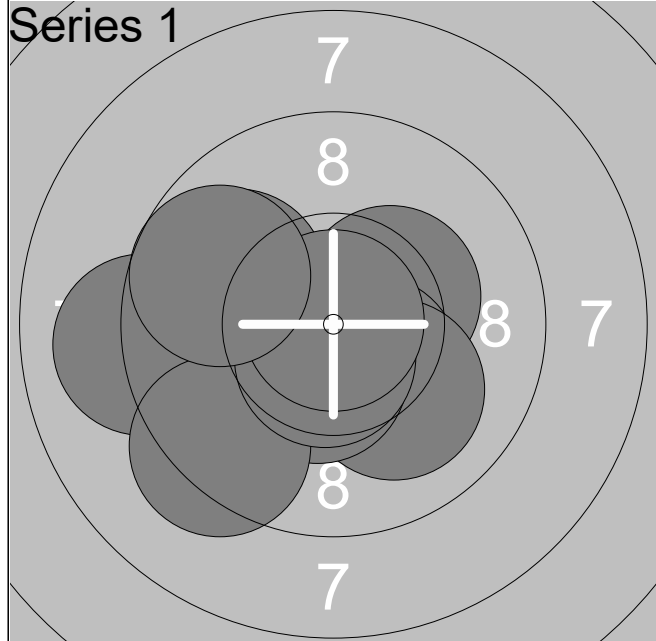
1:	9.9	↑
2:	10.7x	↑
3:	10.4x	↘
4:	10.5x	↘
5:	9.8	↘
6:	10.5x	↘
7:	10.4x	↖
8:	10.0	↘
9:	9.6	←
10:	10.6x	↖

Series	102 ( 6x)
	307 ( 17x)

Relay <b>1</b>	Lane <b>23</b>	<b>Maria Graversen</b>		
-------------------	-------------------	------------------------	--	--

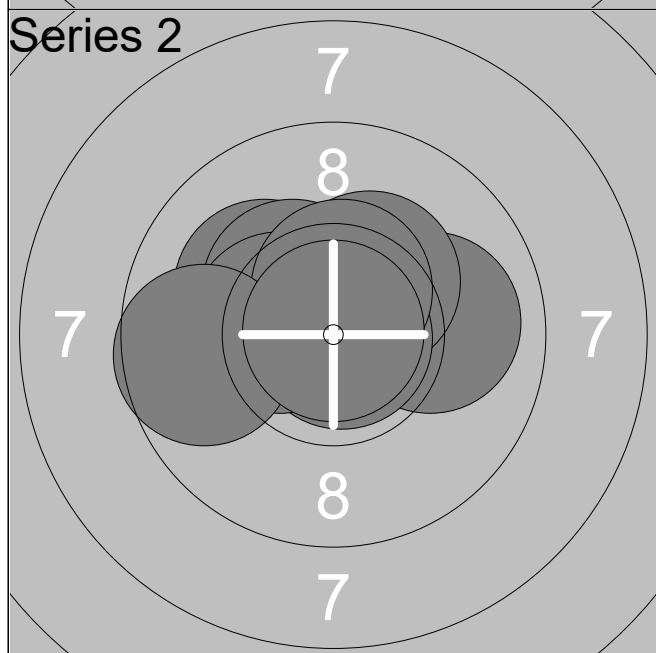
1 Mixed Team Rifle	DEN 4	W	Rifle
--------------------	-------	---	-------

15.02.2024	Denmark Open Air 2024	Denmark Open Air 2024
------------	-----------------------	-----------------------



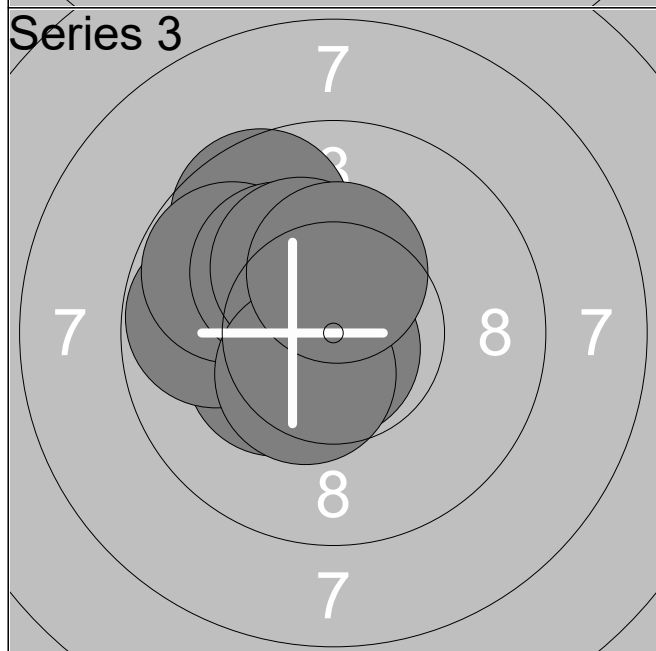
1:	9.9	↖
2:	10.3x	↗
3:	10.4x	↘
4:	10.0	↘
5:	10.4x	↓
6:	9.1	←
7:	9.3	↙
8:	10.6x	↓
9:	10.9x	↑
10:	9.7	↖

Series	100 ( 5x)
	100 ( 5x)



1:	10.0	→
2:	10.8x	↗
3:	10.1	↗
4:	10.3x	↗
5:	10.4x	↗
6:	10.8x	↘
7:	10.4x	←
8:	10.5x	↑
9:	9.6	←
10:	10.9x	↑

Series	103 ( 7x)
	204 (12x)



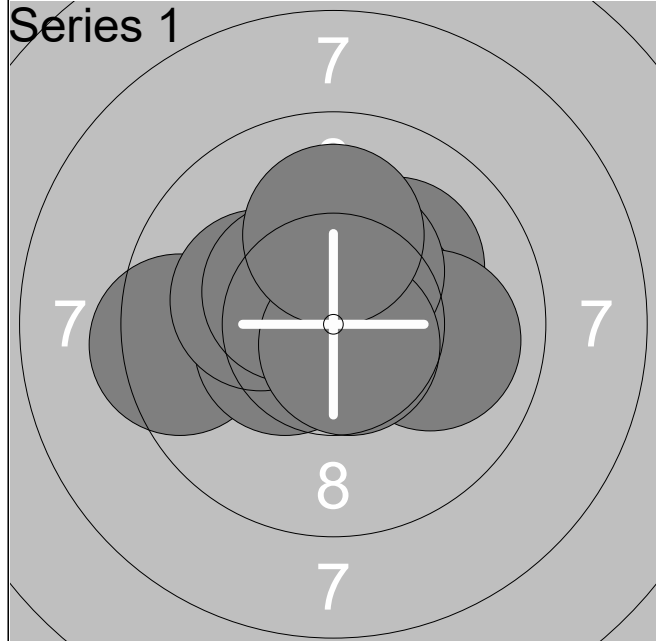
1:	10.3x	↙
2:	10.3x	↙
3:	9.6	↗
4:	9.8	←
5:	9.8	↗
6:	10.1	↗
7:	10.2x	↗
8:	10.8x	↓
9:	10.4x	↘
10:	10.3x	↑

Series	101 ( 6x)
	306 (18x)

Relay <b>1</b>	Lane <b>24</b>	<b>Steffen Koefoed</b>		
-------------------	-------------------	------------------------	--	--

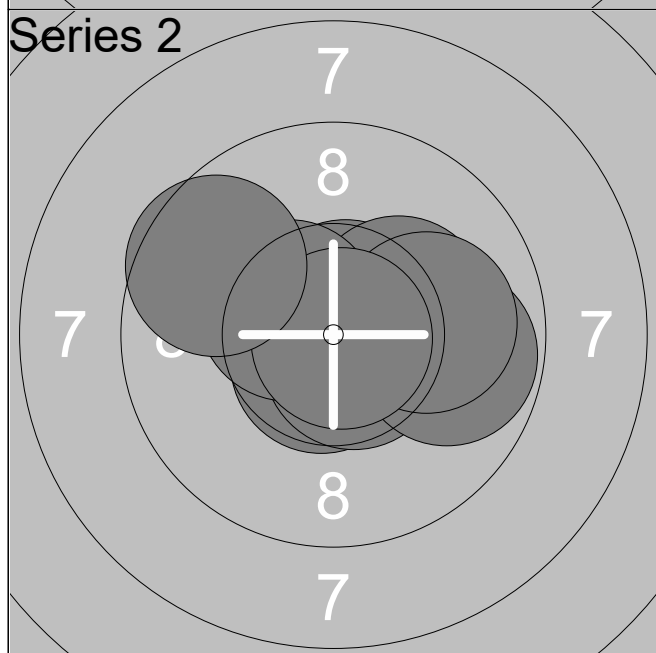
1 Mixed Team Rifle	DEN 4	M	
--------------------	-------	---	--

15.02.2024	Denmark Open Air 2024	Denmark Open Air 2024
------------	-----------------------	-----------------------



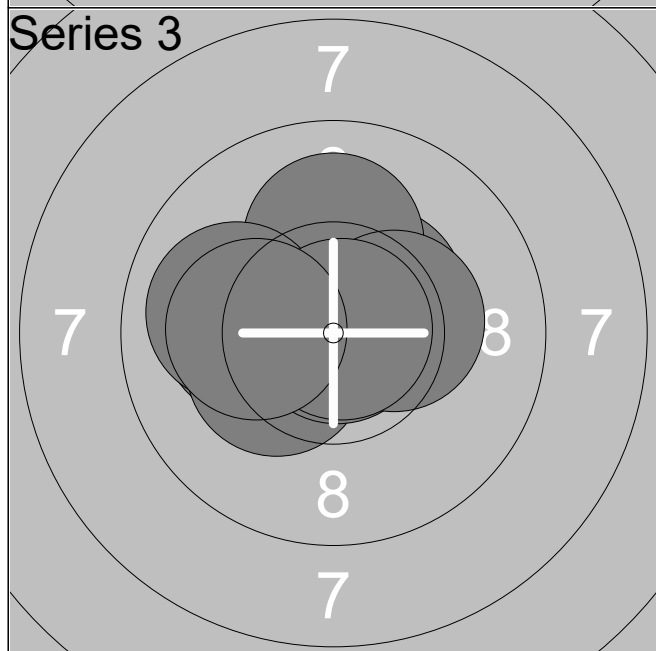
1:	9.4	←
2:	10.4x	←
3:	10.1	↗
4:	10.2x	←
5:	10.5x	↗
6:	10.0	→
7:	10.4x	↑
8:	10.4x	↖
9:	10.7x	↘
10:	10.0	↑

Series	102 ( 6x)
	102 ( 6x)



1:	10.3x	→
2:	10.6x	↘
3:	10.6x	↘
4:	10.7x	↑
5:	9.8	→
6:	10.2x	↗
7:	10.0	→
8:	10.4x	↖
9:	10.9x	↘
10:	9.6	↖

Series	103 ( 7x)
	205 (13x)



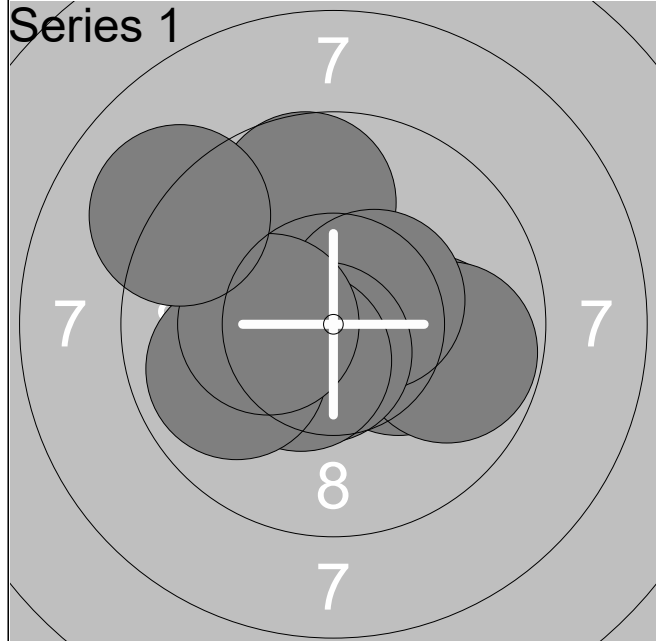
1:	10.1	←
2:	10.4x	↗
3:	10.3x	←
4:	10.4x	↑
5:	10.9x	→
6:	10.1	↑
7:	9.9	←
8:	10.3x	→
9:	10.8x	↗
10:	10.2x	←

Series	103 ( 7x)
	308 (20x)

Relay <b>1</b>	Lane <b>25</b>	<b>Laura Bødtker</b>
-------------------	-------------------	----------------------

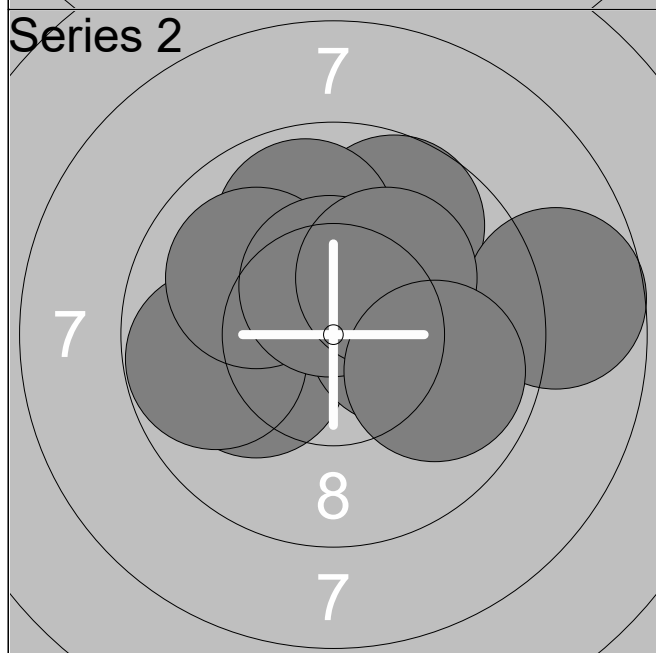
1 Mixed Team Rifle	DEN 5	W
--------------------	-------	---

15.02.2024	Denmark Open Air 2024	Denmark Open Air 2024
------------	-----------------------	-----------------------



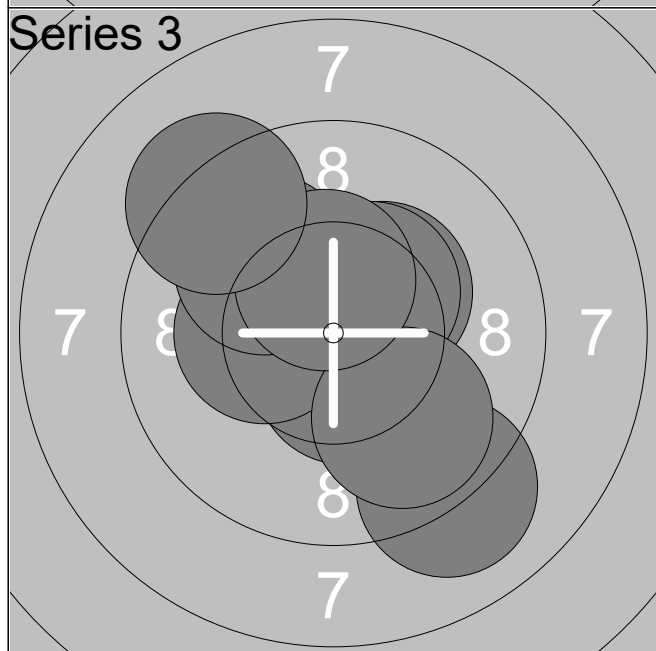
1:	9.7	↑
2:	10.0	→
3:	10.2x	→
4:	9.8	→
5:	10.5x	↗
6:	10.6x	↓
7:	10.4x	↓
8:	9.9	←
9:	10.3x	←
10:	9.1	↖

Series	100 ( 5x)
	100 ( 5x)



1:	9.7	↗
2:	10.1	←
3:	9.7	←
4:	9.8	↑
5:	10.3x	→
6:	8.7	→
7:	10.0	↗
8:	10.4x	↑
9:	10.2x	↗
10:	9.9	→

Series	98 ( 3x)
	199 ( 8x)



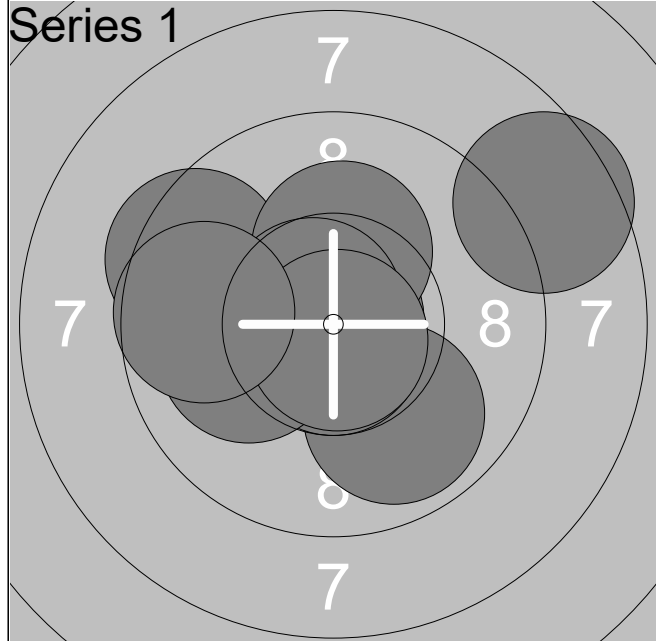
1:	10.3x	↗
2:	10.8x	←
3:	10.5x	↓
4:	10.2x	←
5:	10.4x	↗
6:	10.0	↗
7:	9.0	↓
8:	9.8	↓
9:	10.4x	↑
10:	9.2	↗

Series	100 ( 6x)
	299 (14x)

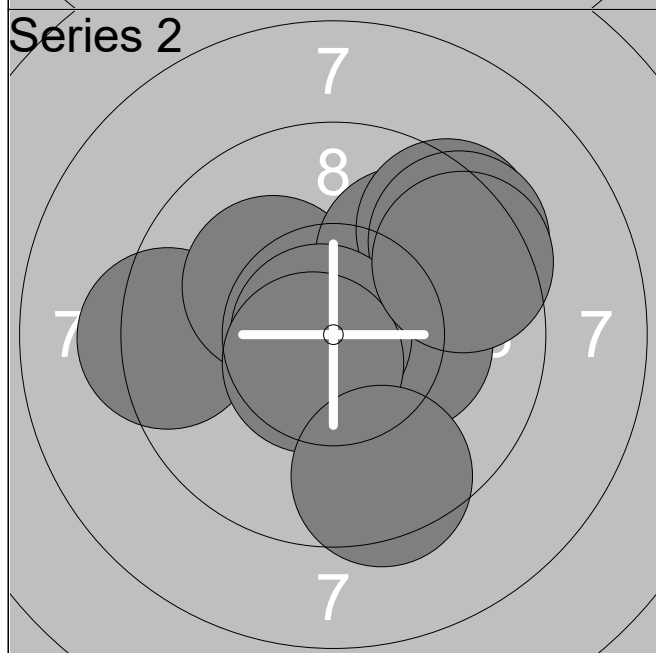
Relay <b>1</b>	Lane <b>26</b>	<b>Keven Axel Sørensen</b>
-------------------	-------------------	----------------------------

1 Mixed Team Rifle	DEN 5	M
--------------------	-------	---

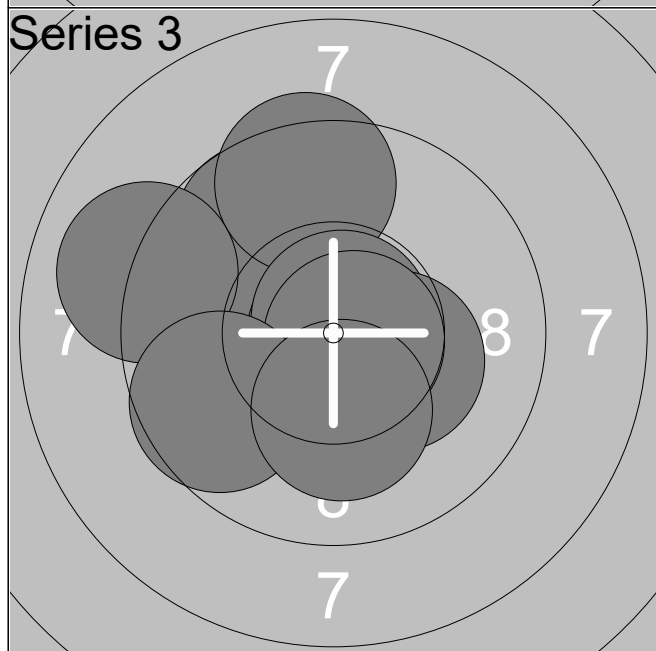
15.02.2024	Denmark Open Air 2024	Denmark Open Air 2024
------------	-----------------------	-----------------------



1:	10.9x	↑
2:	9.4	↖
3:	8.5	↗
4:	9.9	↓
5:	10.7x	↓
6:	10.2x	↑
7:	10.0	↖
8:	10.7x	↗
9:	10.8x	↓
10:	9.6	↖
<b>Series</b>		<b>100 ( 5x)</b>
		<b>100 ( 5x)</b>



1:	9.3	↖
2:	10.2x	↗
3:	9.9	↗
4:	9.4	↗
5:	10.3x	→
6:	9.4	↗
7:	10.8x	↖
8:	10.6x	↓
9:	9.4	↗
10:	9.4	↓
<b>Series</b>		<b>98 ( 4x)</b>
		<b>199 ( 9x)</b>



1:	10.7x	↖
2:	9.7	↗
3:	10.9x	↓
4:	9.0	↖
5:	9.4	↑
6:	10.8x	↗
7:	10.3x	↘
8:	10.7x	↘
9:	9.6	↖
10:	10.2x	↓
<b>Series</b>		<b>101 ( 6x)</b>
		<b>300 (15x)</b>