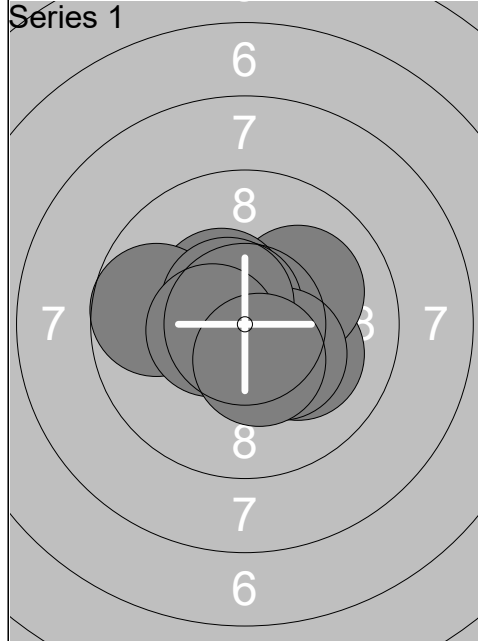
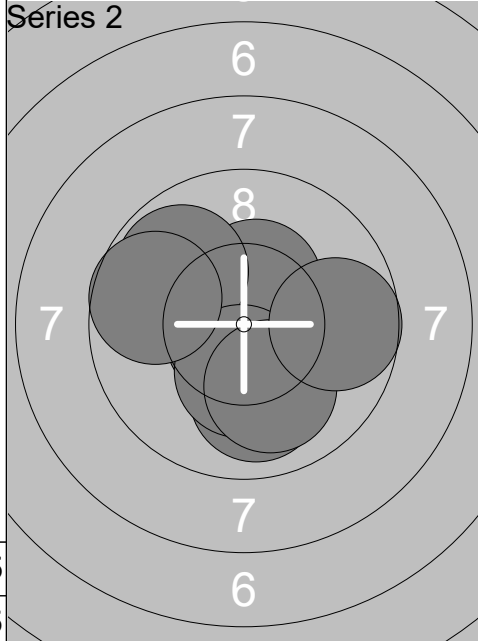


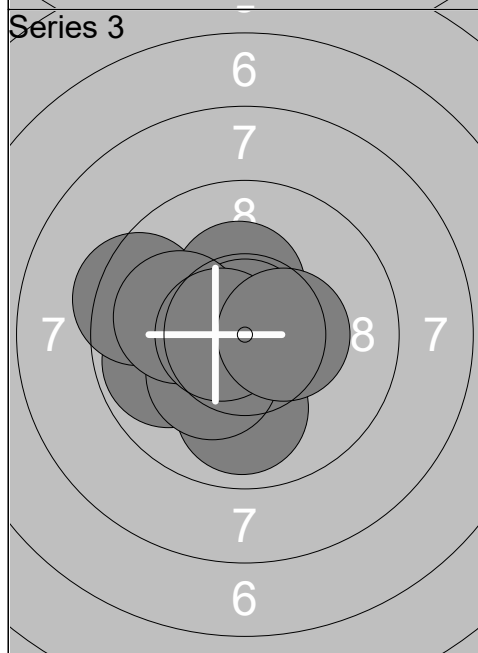
Relay	Lane	Brandon Lu		
Qual Day 1	CAN		MJ	R
11.02.2026	Denmark Open Air 2026		Denmark Open Air 2026	
<b>Series 1</b> 	2	1: 9.8 →	<b>Series 2</b> 	1: 9.5 ↗
	3	2: 10.0 ↗		2: 10.0 ←
	4	3: 10.0 ↖		3: 10.3x ←
	5	4: 9.0 ↗	4: 8.8 ←	4: 10.1 ↗
	6	5: 10.6x →	5: 10.3x ↓	5: 9.8 →
	7	6: 9.0 →	6: 10.2x ↖	6: 10.2x ↖
	8	7: 10.6x ↑	7: 9.8 →	7: 9.7 ←
	9	8: 10.2x →	8: 10.2x ↖	8: 9.1 ↘
	10	9: 10.1 ↓	9: 9.1 ↘	
	10	10: 8.5 →	10: 9.1 ↘	
	Series	97.8	Series	97.8
		97.8		195.6
<b>Series 3</b> 		1: 10.1 ←	<b>Series 4</b> 	1: 10.8x ↖
		2: 10.3x ↗		2: 9.8 →
		3: 10.5x ↓		3: 10.2x ↓
		4: 10.1 ↓	4: 9.6 →	4: 9.2 →
		5: 10.4x ↖	5: 9.2 →	5: 9.3 →
		6: 10.0 →	6: 9.3 →	6: 10.2x ↖
		7: 9.1 →	7: 9.3 →	7: 10.3x ↓
		8: 10.2x ↑	8: 10.2x ↖	8: 10.3x ↖
		9: 8.7 ↗	9: 10.3x ↖	
		10: 9.7 ←	10: 10.3x ↖	
	Series	99.1	Series	99.0
		294.7		393.7
<b>Series 5</b> 		1: 9.7 ←	<b>Series 6</b> 	1: 9.2 →
		2: 10.5x ↖		2: 9.6 →
		3: 9.9 ←		3: 9.9 ←
		4: 9.5 ←	4: 9.2 ←	4: 10.2x ↗
		5: 9.7 ↗	5: 10.2x ↗	5: 10.6x →
		6: 10.3x ↑	6: 10.6x →	6: 9.8 ↖
		7: 10.6x ↓	7: 9.8 ↖	7: 10.1 ↓
		8: 10.9x ↑	8: 10.1 ↓	8: 10.7x ↖
		9: 9.4 ←	9: 10.7x ↖	9: 10.7x →
		10: 10.0 ↘	10: 10.7x →	
	Series	100.5	Series	100.0
		494.2		594.2



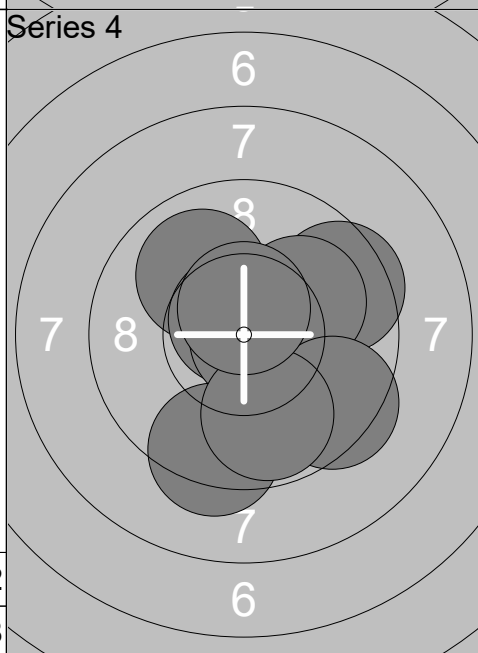
1:	10.1 ↘
2:	10.1 ↗
3:	10.4x ↖
4:	9.7 ←
5:	10.7x ↗
6:	10.7x ↓
7:	10.3x ↘
8:	10.6x ↖
9:	10.5x ←
10:	10.4x ↓
<b>Series</b>	<b>103.5</b>
	<b>103.5</b>



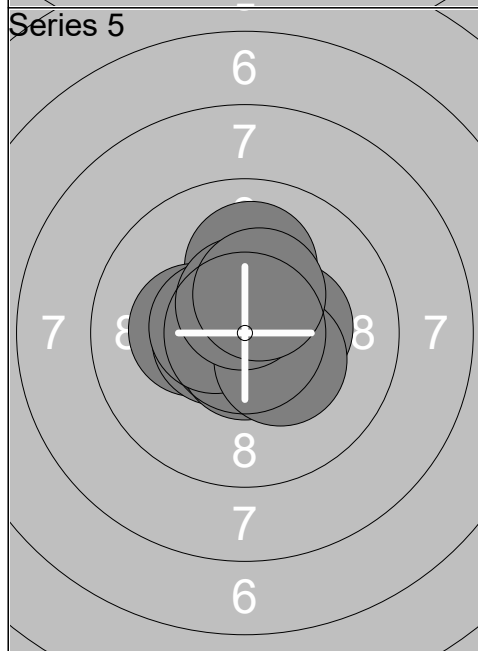
1:	10.0 ↓
2:	10.7x ↓
3:	10.7x ↙
4:	10.7x ↓
5:	10.4x ↗
6:	9.9 ↖
7:	10.3x ↓
8:	10.0 ↓
9:	9.7 ←
10:	9.7 →
<b>Series</b>	<b>102.1</b>
	<b>205.6</b>



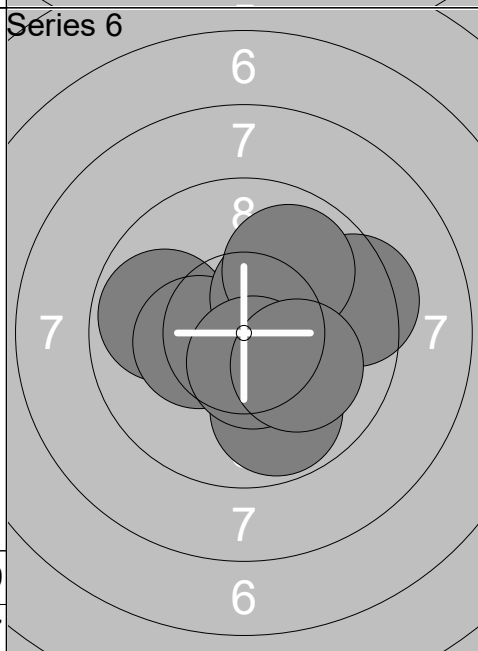
1:	9.9 ↓
2:	9.9 ←
3:	9.4 ←
4:	10.5x ↙
5:	10.3x ↙
6:	10.3x ↑
7:	10.8x ↑
8:	10.1 ←
9:	10.6x ←
10:	10.4x →
<b>Series</b>	<b>102.2</b>
	<b>307.8</b>



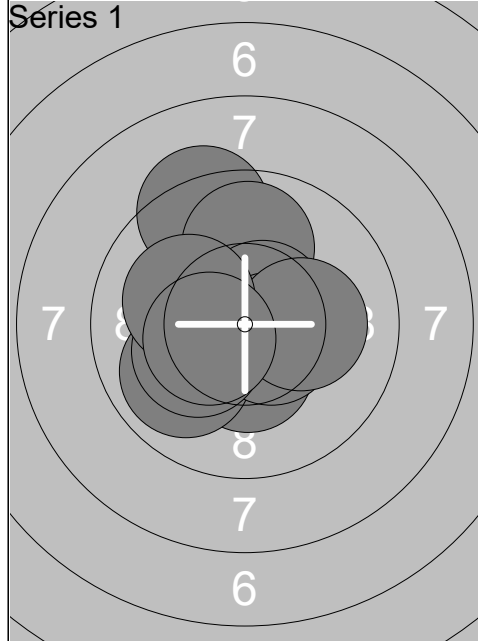
1:	10.6x ↑
2:	10.0 ↖
3:	9.5 ↗
4:	10.7x ↖
5:	10.8x →
6:	10.1 ↗
7:	9.5 ↘
8:	9.4 ↓
9:	9.8 ↓
10:	10.6x ↑
<b>Series</b>	<b>101.0</b>
	<b>408.8</b>



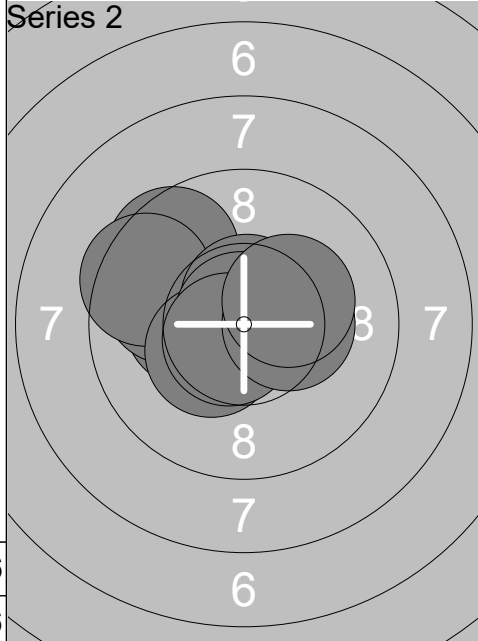
1:	10.1 ↑
2:	10.3x ←
3:	10.6x ←
4:	10.4x →
5:	10.8x ↙
6:	10.7x ↓
7:	10.6x ←
8:	10.4x ↘
9:	10.6x ↑
10:	10.4x ↗
<b>Series</b>	<b>104.9</b>
	<b>513.7</b>



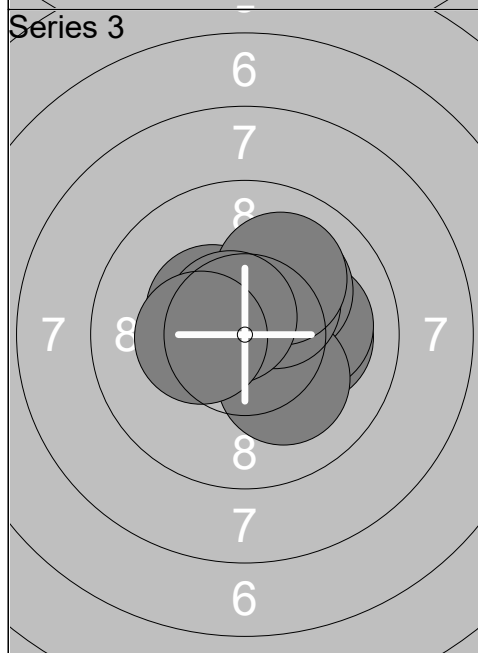
1:	10.7x ↗
2:	9.8 ←
3:	10.3x ←
4:	10.3x ↗
5:	10.1 →
6:	9.4 →
7:	9.9 ↗
8:	9.8 ↓
9:	10.5x ↓
10:	10.1 ↘
<b>Series</b>	<b>100.9</b>
	<b>614.6</b>



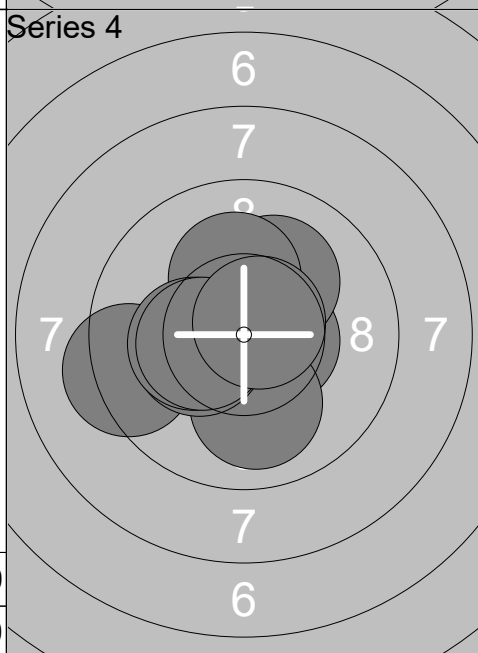
1:	10.4x ↓
2:	9.3 ↑
3:	9.9 ↙
4:	9.9 ↑
5:	10.6x ↗
6:	10.6x ➤
7:	10.2x →
8:	10.2x ↙
9:	10.1 ↖
10:	10.4x ↙
<b>Series</b>	<b>101.6</b>
	<b>101.6</b>



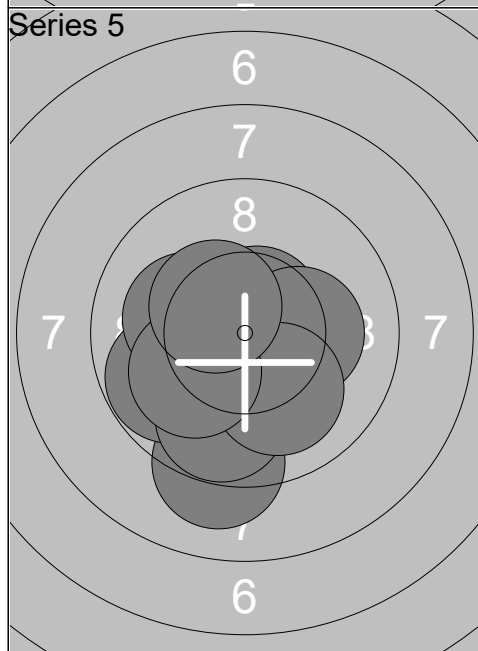
1:	10.2x ↖
2:	9.9 ↖
3:	9.6 ↗
4:	9.5 ↖
5:	10.4x ↙
6:	10.6x ↑
7:	10.9x ↗
8:	10.7x ↙
9:	10.3x →
10:	10.3x ↗
<b>Series</b>	<b>102.4</b>
	<b>204.0</b>



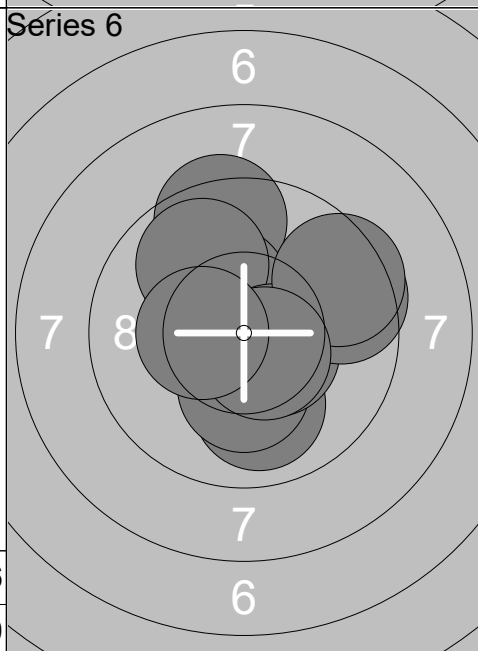
1:	10.8x ↑
2:	10.4x ↖
3:	10.1 →
4:	10.1 →
5:	10.1 ↗
6:	10.2x ↘
7:	10.3x ↗
8:	10.1 ↗
9:	10.6x ↖
10:	10.3x ↖
<b>Series</b>	<b>103.0</b>
	<b>307.0</b>



1:	10.5x ↑
2:	10.5x →
3:	10.1 ↗
4:	10.2x ↑
5:	10.0 ↓
6:	9.3 ↖
7:	10.3x ↖
8:	10.3x ↖
9:	10.4x ↖
10:	10.7x ↗
<b>Series</b>	<b>102.3</b>
	<b>409.3</b>

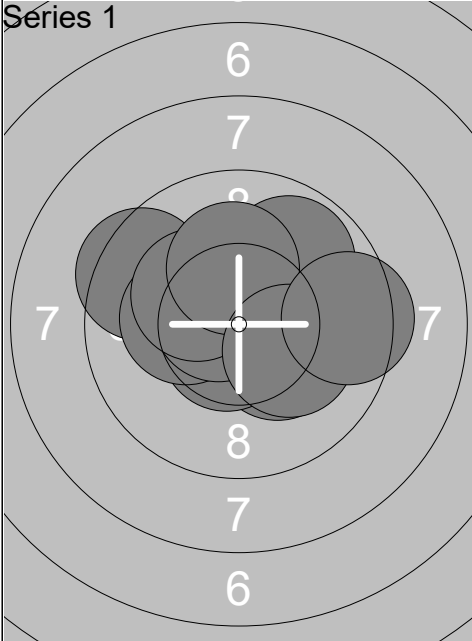
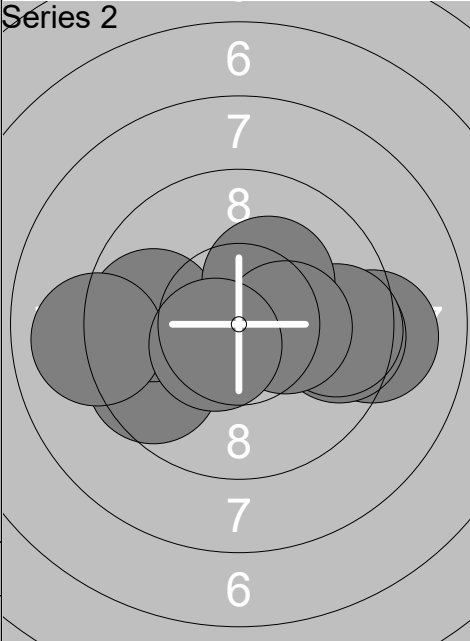
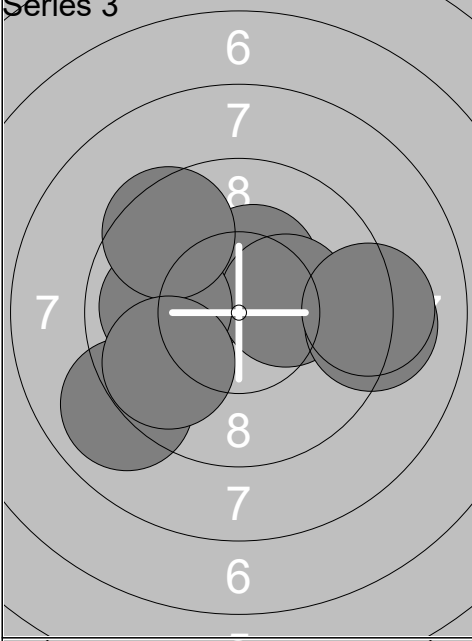
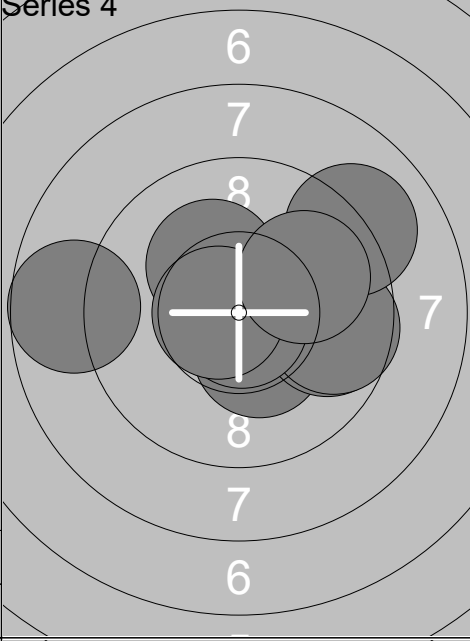
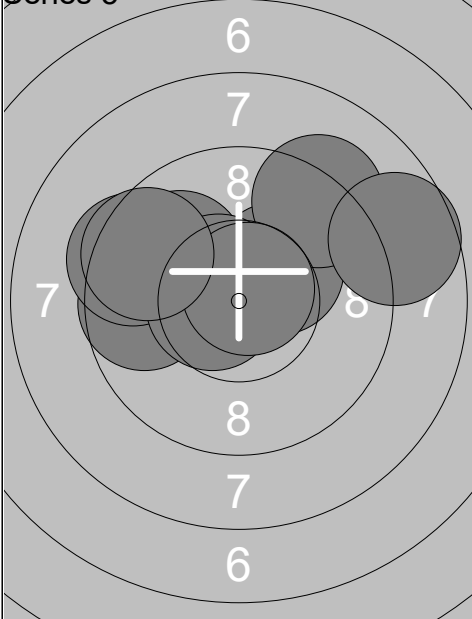
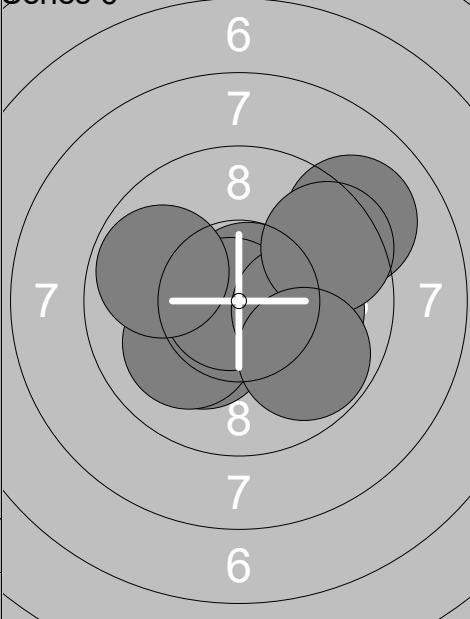


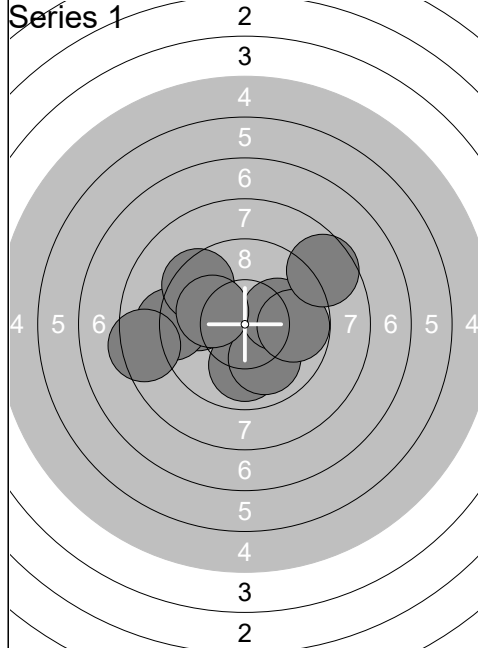
1:	9.2 ↓
2:	9.8 ↖
3:	10.6x ↗
4:	10.2x ↓
5:	9.8 ↓
6:	10.2x ↖
7:	10.2x →
8:	10.1 ↓
9:	10.1 ↖
10:	10.4x ↖
<b>Series</b>	<b>100.6</b>
	<b>509.9</b>



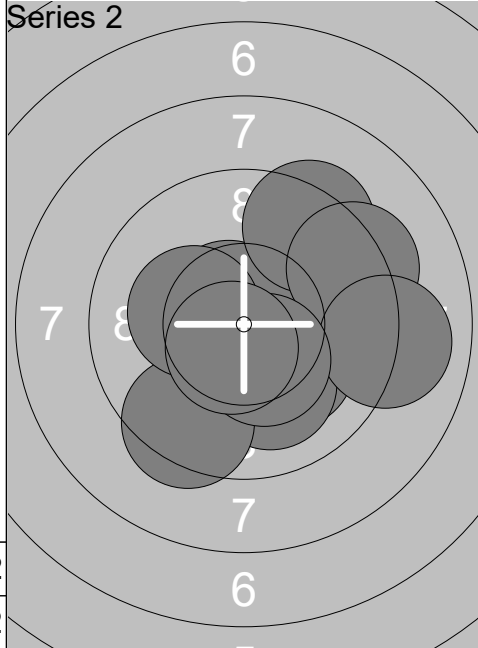
1:	9.4 ↑
2:	10.3x ↗
3:	9.9 ↗
4:	10.0 ↓
5:	10.2x ↓
6:	10.5x ➤
7:	9.6 →
8:	9.5 ↗
9:	10.6x ↘
10:	10.4x ↖
<b>Series</b>	<b>100.4</b>
	<b>610.3</b>

Relay	Lane	Jeppe Holm Christensen		
5	6	DEN	MJ	R
11.02.2026	Denmark Open Air 2026	Denmark Open Air 2026		
<b>Series 1</b> 	1: 10.6x →	<b>Series 2</b> 	1: 10.1 ↖	
	2: 9.6 →		2: 10.9x ↓	
	3: 10.6x ↗		3: 10.2x ↖	
	4: 9.9 ↖		4: 10.8x ↗	
	5: 10.2x ↗		5: 9.9 →	
	6: 10.4x ↓		6: 9.6 ←	
	7: 9.5 ↓		7: 10.6x ↖	
	8: 9.8 →		8: 10.6x →	
	9: 9.2 ←		9: 9.4 ↓	
	10: 9.7 →		10: 9.5 ←	
	<b>Series</b> 99.5		<b>Series</b> 101.6	
	99.5		201.1	
<b>Series 3</b> 	1: 9.5 →	<b>Series 4</b> 	1: 10.8x ←	
	2: 10.8x ↓		2: 10.2x →	
	3: 10.5x →		3: 10.1 →	
	4: 10.2x ↗		4: 10.8x ↖	
	5: 9.3 ←		5: 10.5x ↖	
	6: 10.0 →		6: 9.9 ←	
	7: 10.7x ↓		7: 10.0 →	
	8: 10.2x ↓		8: 10.5x →	
	9: 10.4x ↙		9: 9.8 ←	
	10: 9.8 ←		10: 10.1 ↙	
	<b>Series</b> 101.4		<b>Series</b> 102.7	
	302.5		405.2	
<b>Series 5</b> 	1: 10.3x ↗	<b>Series 6</b> 	1: 10.1 →	
	2: 10.2x ↓		2: 9.9 ↓	
	3: 10.5x ↖		3: 10.2x →	
	4: 10.0 ←		4: 7.8 ←	
	5: 10.3x ↖		5: 10.5x →	
	6: 10.4x ↓		6: 10.8x →	
	7: 10.4x ↓		7: 10.6x ↗	
	8: 10.2x →		8: 9.0 ←	
	9: 10.4x ↖		9: 8.9 ←	
	10: 9.9 →		10: 10.5x ↗	
	<b>Series</b> 102.6		<b>Series</b> 98.3	
	507.8		606.1	

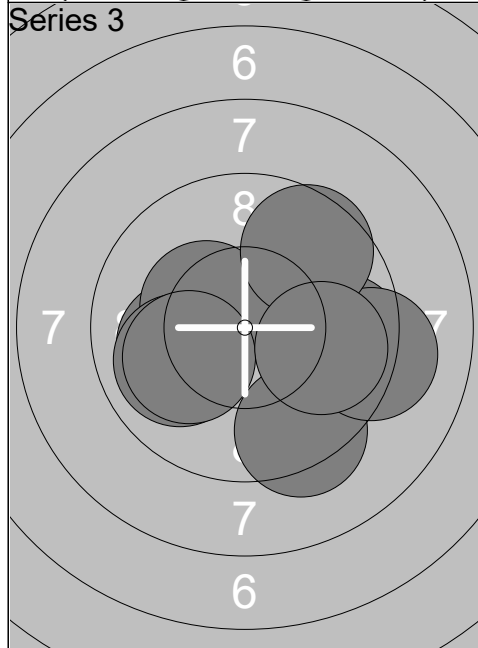
Relay	Lane	Karl Pantzar		
5	7	SWE	MJ	R
Qual Day 1		Denmark Open Air 2026		Denmark Open Air 2026
11.02.2026				
Series 1 	1: 9.5 ↖	Series 2 	1: 10.5x →	
	2: 10.3x ↘		2: 9.6 ↙	
	3: 10.6x ↙		3: 9.8 ←	
	4: 9.9 ↗		4: 9.0 ←	
	5: 10.2x ←		5: 9.2 →	
	6: 10.7x ↖		6: 9.6 →	
	7: 10.3x ↖		7: 9.6 →	
	8: 10.2x ↑		8: 10.3x ↗	
	9: 10.2x ↘		9: 10.3x →	
	10: 9.5 →		10: 10.5x ↙	
	Series 101.4		Series 98.4	
	101.4		199.8	
Series 3 	1: 10.0 ↖	Series 4 	1: 10.3x →	
	2: 9.0 ↙		2: 10.4x ↘	
	3: 10.2x ↖		3: 9.7 →	
	4: 10.3x ↗		4: 10.2x ↖	
	5: 10.3x →		5: 9.7 →	
	6: 9.2 →		6: 10.8x ↘	
	7: 9.9 ←		7: 10.7x ←	
	8: 9.2 →		8: 9.1 ↗	
	9: 9.5 ↖		9: 8.7 ←	
	10: 9.8 ↙		10: 10.0 ↗	
	Series 97.4		Series 99.6	
	297.2		396.8	
Series 5 	1: 9.9 ↖	Series 6 	1: 10.4x ←	
	2: 9.7 ←		2: 9.1 ↗	
	3: 10.3x ↗		3: 10.2x ↙	
	4: 9.2 ↗		4: 10.1 ↙	
	5: 10.6x ↖		5: 10.8x ↗	
	6: 9.4 ←		6: 10.8x ←	
	7: 10.6x ←		7: 10.1 →	
	8: 10.8x ↗		8: 9.5 ↗	
	9: 8.7 →		9: 9.8 ↘	
	10: 9.6 ↖		10: 9.8 ←	
	Series 98.8		Series 100.6	
	495.6		596.2	



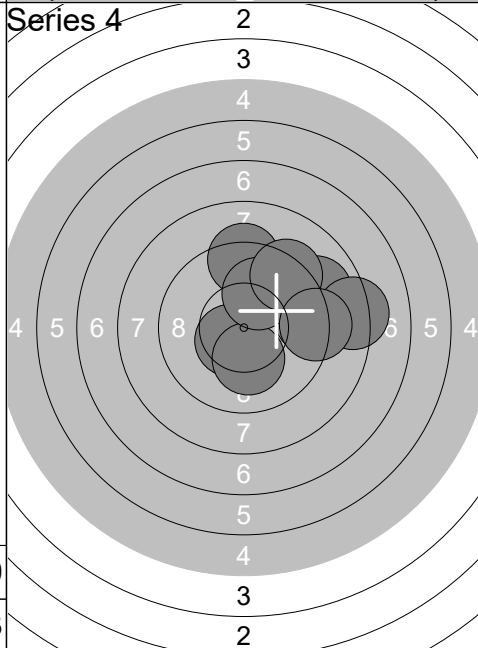
1:	9.9	↓
2:	10.0	↓
3:	10.1	→
4:	9.8	→
5:	9.8	←
6:	9.1	←
7:	8.4	←
8:	9.4	↗
9:	10.1	←
10:	8.6	↗
<b>Series</b>	<b>95.2</b>	
	<b>95.2</b>	



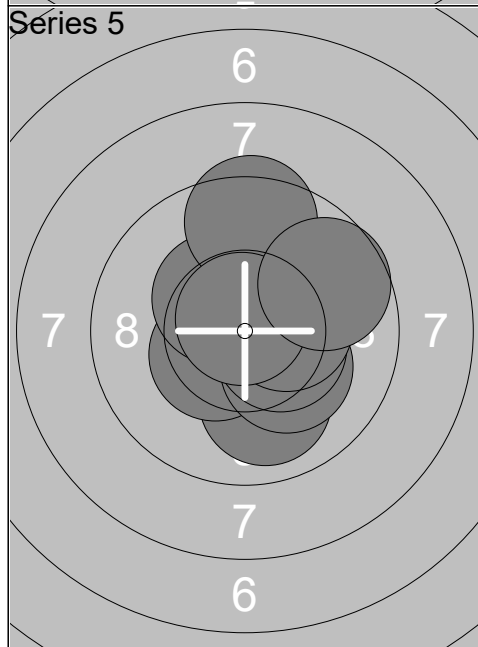
1:	10.2x	↘
2:	10.1	↓
3:	10.6x	↖
4:	9.4	↗
5:	9.3	↗
6:	9.4	↓
7:	9.0	→
8:	10.4x	↓
9:	10.2x	←
10:	10.6x	↓
<b>Series</b>	<b>99.2</b>	
	<b>194.4</b>	



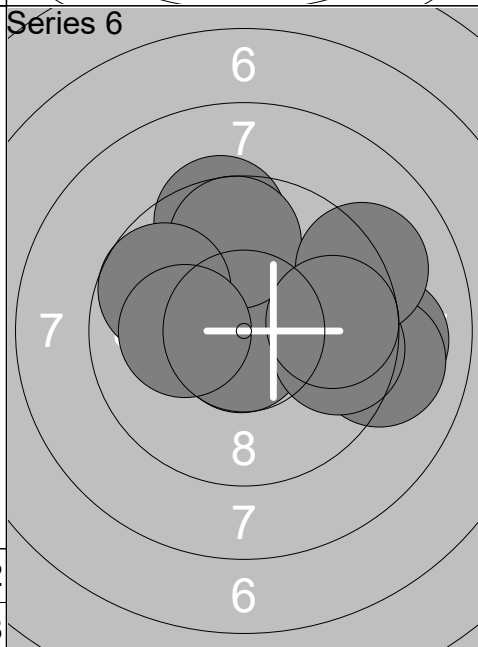
1:	9.6	→
2:	10.1	←
3:	10.3x	↖
4:	10.0	←
5:	9.7	→
6:	10.1	←
7:	9.4	↓
8:	9.2	→
9:	9.6	↗
10:	9.9	→
<b>Series</b>	<b>97.9</b>	
	<b>292.3</b>	



1:	10.5x	↙
2:	9.2	→
3:	9.3	↑
4:	9.3	→
5:	9.0	↗
6:	8.3	→
7:	10.2x	↓
8:	10.0	↗
9:	9.3	↗
10:	9.2	→
<b>Series</b>	<b>94.3</b>	
	<b>386.6</b>	

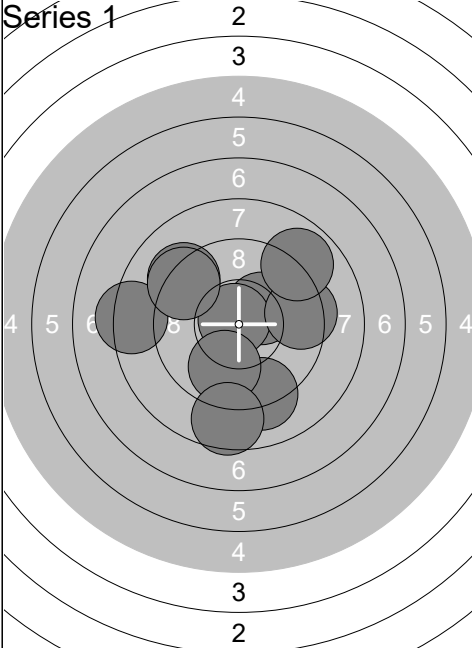
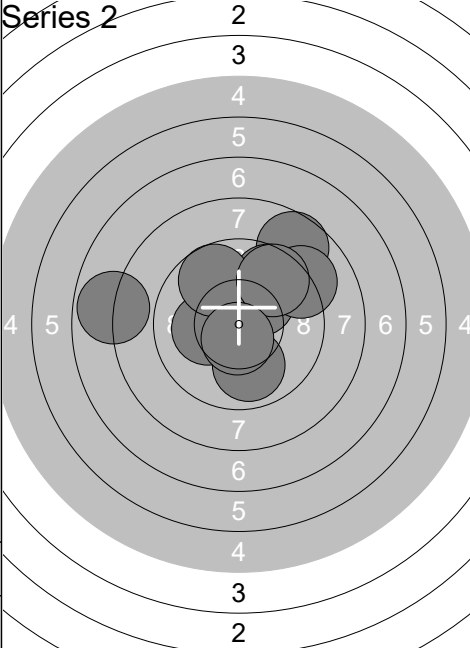
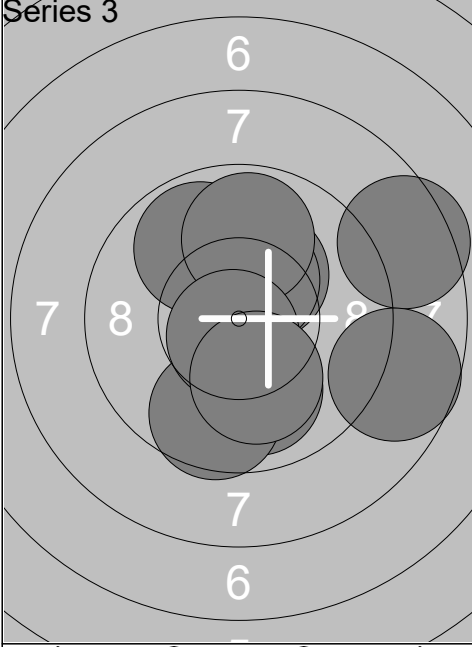
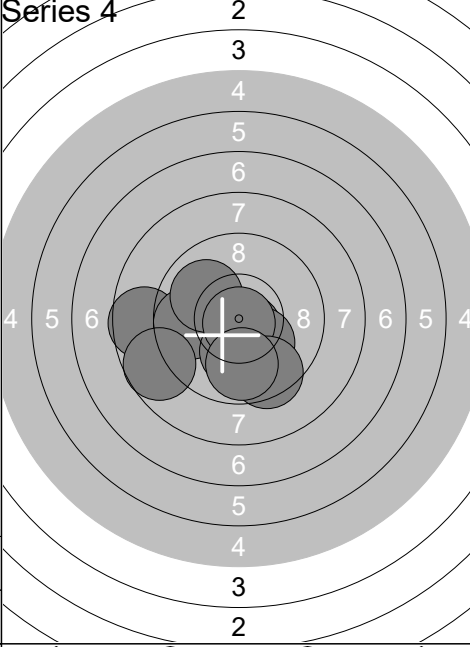
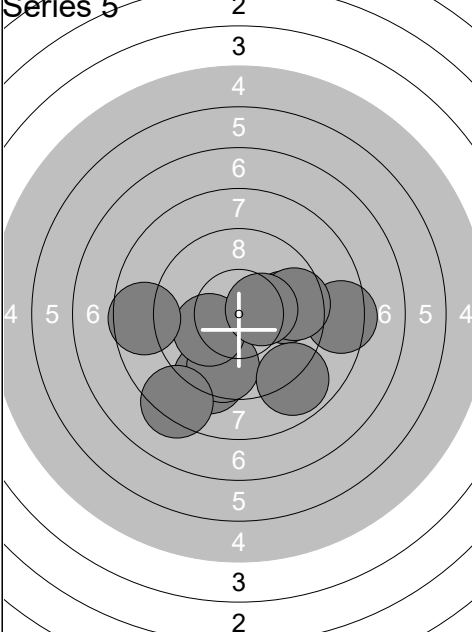
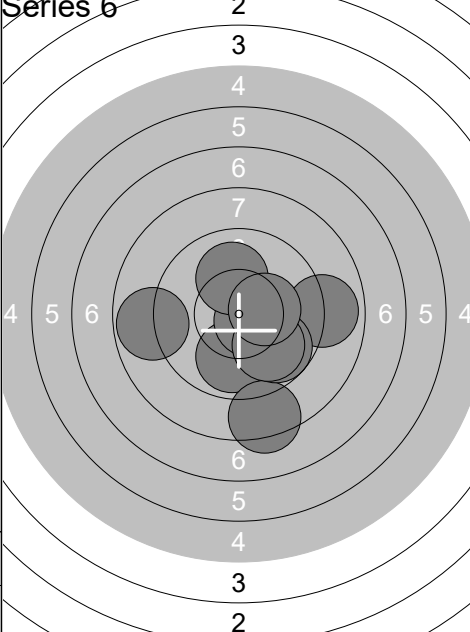


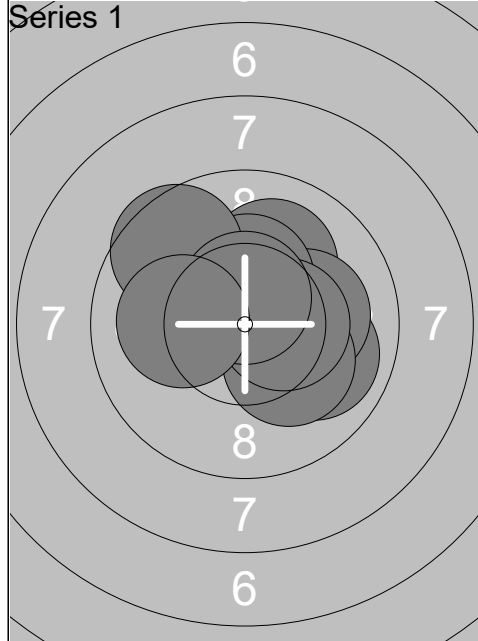
1:	10.0	↓
2:	10.4x	→
3:	10.4x	↙
4:	10.4x	↖
5:	9.5	↑
6:	10.2x	↓
7:	10.4x	→
8:	10.4x	→
9:	10.8x	↗
10:	9.7	↗
<b>Series</b>	<b>102.2</b>	
	<b>488.8</b>	



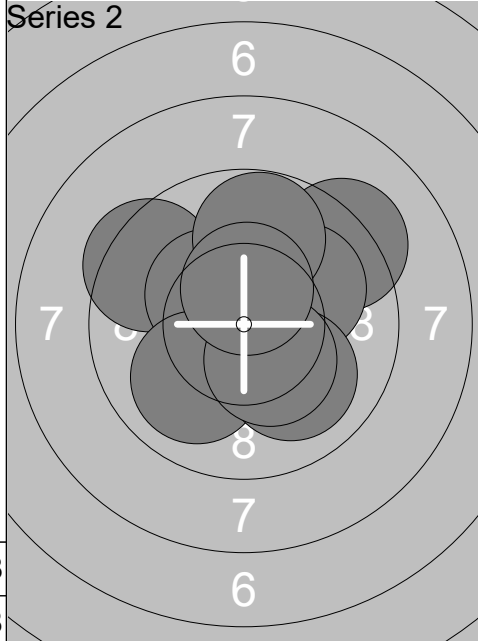
1:	9.1	→
2:	9.1	→
3:	10.8x	↓
4:	9.4	↑
5:	9.7	↑
6:	9.7	↖
7:	10.2x	←
8:	9.7	→
9:	9.2	↗
10:	9.8	→
<b>Series</b>	<b>96.7</b>	
	<b>585.5</b>	

Relay	Lane	Malik Lindharth			
5	9	DEN		MJ	R
11.02.2026		Denmark Open Air 2026		Denmark Open Air 2026	
<b>Series 1</b> 	1: 9.8 ↗	<b>Series 2</b> 	1: 10.6x ↖		
	2: 10.0 ↓		2: 9.4 ←		
	3: 10.3x ↙		3: 8.5 →		
	4: 10.2x →		4: 10.6x ←		
	5: 10.7x ↙		5: 10.6x ↑		
	6: 10.2x ↓		6: 10.8x ↙		
	7: 10.7x ↖		7: 10.3x ↗		
	8: 9.9 ↘		8: 10.3x ↗		
	9: 10.0 →		9: 10.6x ↗		
	10: 10.6x ↓		10: 9.8 ↗		
	<b>Series</b> 102.4	<b>Series</b> 101.5			
	102.4	203.9			
<b>Series 3</b> 	1: 9.9 ↖	<b>Series 4</b> 	1: 9.5 →		
	2: 10.6x ↗		2: 10.5x ↓		
	3: 9.6 →		3: 10.4x ↙		
	4: 9.9 ↖		4: 10.7x ←		
	5: 9.6 →		5: 10.1 ↖		
	6: 9.6 →		6: 10.4x ↙		
	7: 10.3x ↓		7: 10.2x ↙		
	8: 9.9 ↗		8: 9.7 ↗		
	9: 10.8x ↘		9: 10.6x ←		
	10: 10.8x ↗		10: 10.5x ←		
	<b>Series</b> 101.0	<b>Series</b> 102.6			
	304.9	407.5			
<b>Series 5</b> 	1: 10.1 ↑	<b>Series 6</b> 	1: 10.2x ↗		
	2: 9.2 ↖		2: 10.9x ↓		
	3: 10.9x ↖		3: 10.3x ↙		
	4: 10.1 →		4: 10.2x ↑		
	5: 10.3x ↙		5: 10.4x ↖		
	6: 10.6x ↑		6: 10.7x ↖		
	7: 10.5x ↗		7: 10.2x ↖		
	8: 10.6x ↘		8: 10.2x ↑		
	9: 9.4 ↖		9: 10.7x ←		
	10: 9.6 ↑		10: 10.5x ↘		
	<b>Series</b> 101.3	<b>Series</b> 104.3			
	508.8	613.1			

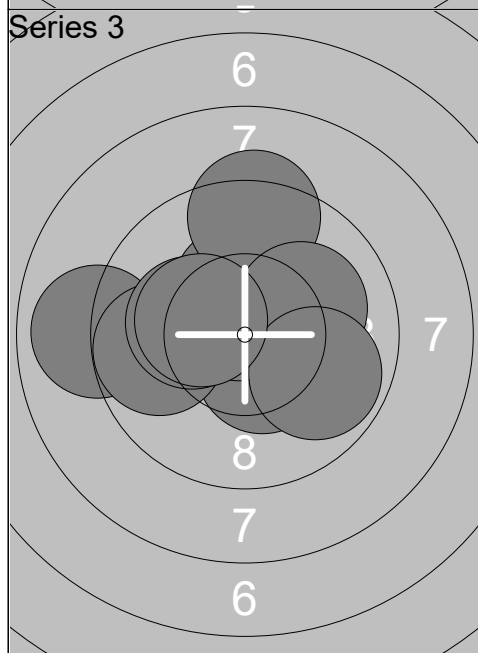
Relay	Lane	Mikael Rutgersson	
5	10	SWE	MJ R
Qual Day 1	11.02.2026	Denmark Open Air 2026	Denmark Open Air 2026
Series 1 	1: 9.1 ↓	Series 2 	1: 9.9 ↓
	2: 10.3x ↗		2: 8.7 ↗
	3: 10.8x ↖		3: 9.7 ↗
	4: 9.2 ↖		4: 7.9 ←
	5: 8.3 ←		5: 10.2x ←
	6: 9.4 →		6: 10.2x ↗
	7: 9.9 ↓		7: 9.7 ↖
	8: 9.3 ↖		8: 9.1 ↗
	9: 8.9 ↗		9: 9.6 ↗
	10: 8.6 ↓		10: 10.6x ↓
	Series 93.8		Series 95.6
	93.8		189.4
Series 3 	1: 10.3x ↗	Series 4 	1: 8.6 ←
	2: 8.5 →		2: 10.6x ↓
	3: 10.4x ↗		3: 9.7 ←
	4: 9.9 ↖		4: 10.2x ↓
	5: 10.0 ↓		5: 10.0 ↖
	6: 9.6 ↓		6: 10.1 ↓
	7: 9.8 ↑		7: 8.7 ←
	8: 8.7 →		8: 10.8x ↓
	9: 10.7x ↓		9: 9.5 ↓
	10: 10.1 ↓		10: 9.8 ↓
	Series 98.0		Series 98.0
	287.4		385.4
Series 5 	1: 9.8 →	Series 6 	1: 10.3x ↓
	2: 9.2 ↓		2: 8.9 →
	3: 9.6 ↓		3: 8.8 ←
	4: 8.9 ↓		4: 9.9 ↓
	5: 8.4 →		5: 10.6x ↗
	6: 8.3 ↓		6: 8.4 ↓
	7: 9.6 →		7: 10.1 ↑
	8: 10.1 ←		8: 9.7 ↓
	9: 8.6 ←		9: 9.9 ↓
	10: 10.4x →		10: 10.3x →
	Series 92.9		Series 96.9
	478.3		575.2



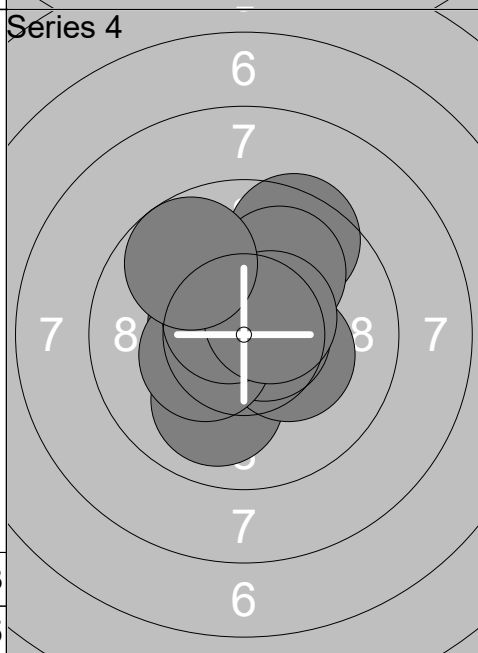
1:	10.4x ↗
2:	10.1 ↗
3:	10.0 ➡
4:	10.1 ➡
5:	10.2x ↘
6:	10.3x ↑
7:	9.6 ↖
8:	10.4x ➡
9:	10.6x ↑
10:	10.1 ←
<b>Series</b>	<b>101.8</b>
	<b>101.8</b>



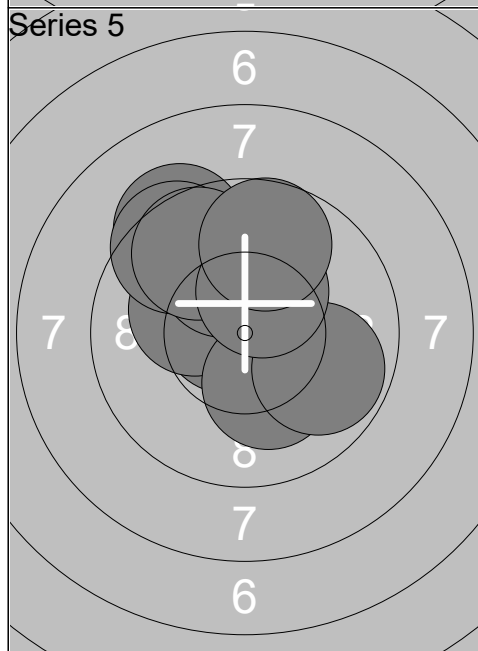
1:	9.4 ↖
2:	10.4x ↖
3:	9.2 ↗
4:	10.1 ↗
5:	10.6x ↓
6:	10.0 ↙
7:	10.0 ↘
8:	9.8 ↑
9:	10.4x ↘
10:	10.5x ↑
<b>Series</b>	<b>100.4</b>
	<b>202.2</b>



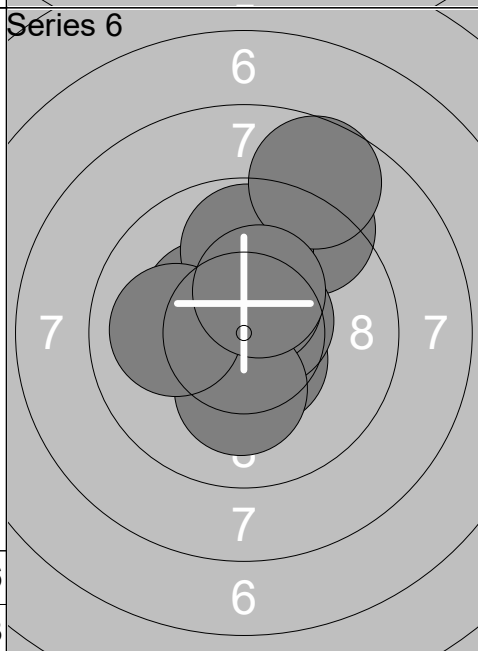
1:	10.4x ↑
2:	10.5x ↓
3:	10.7x ↑
4:	9.0 ←
5:	9.8 ←
6:	10.2x ↙
7:	9.4 ↑
8:	10.1 ➡
9:	9.9 ↘
10:	10.3x ↙
<b>Series</b>	<b>100.3</b>
	<b>302.5</b>



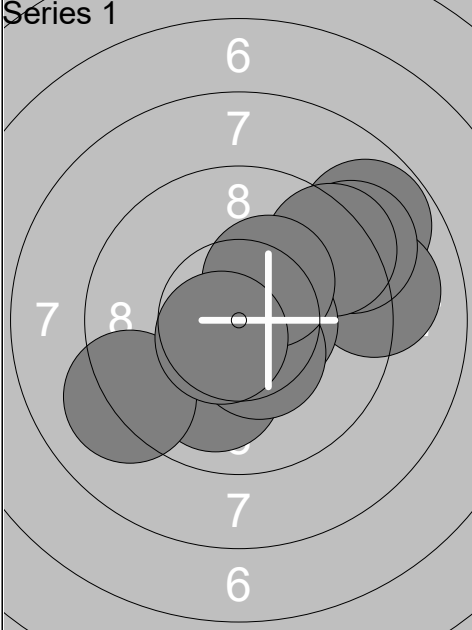
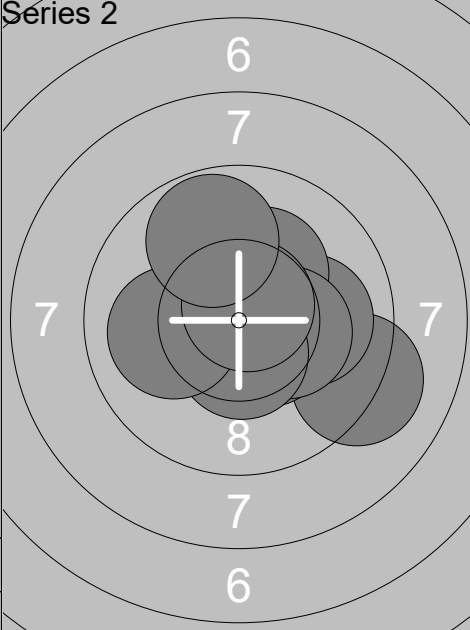
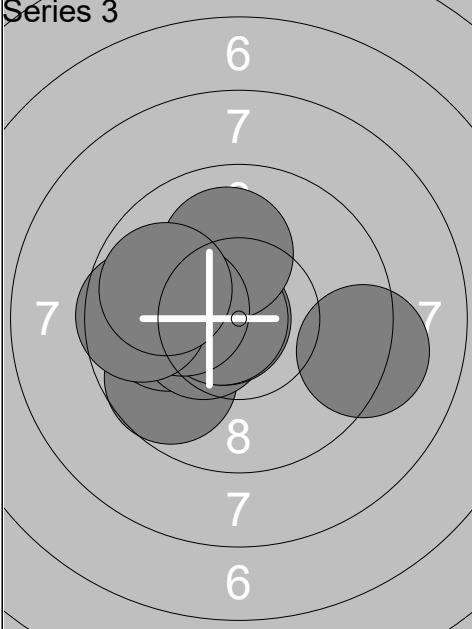
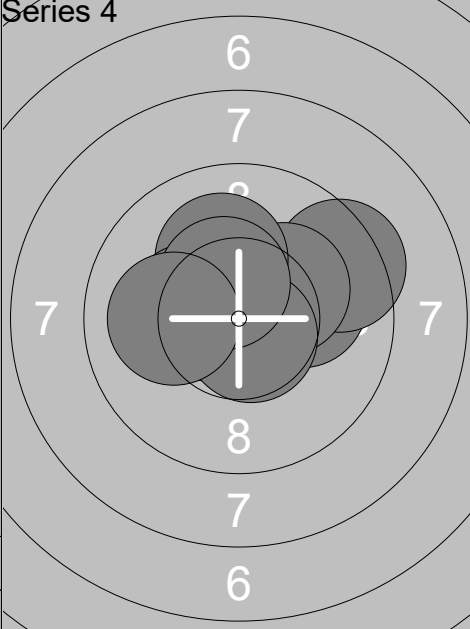
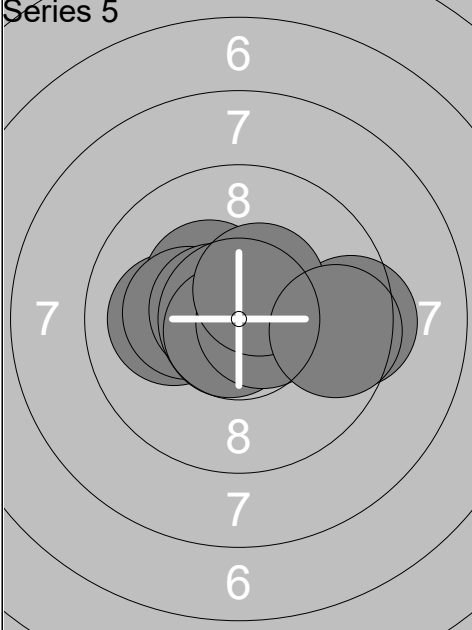
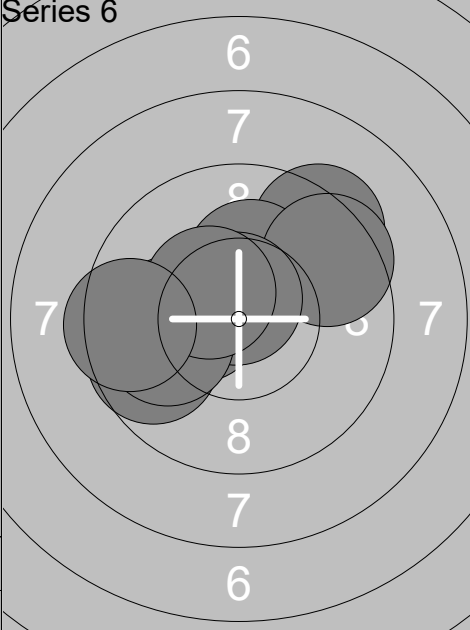
1:	10.0 ↓
2:	10.3x ➡
3:	10.5x ↙
4:	9.5 ↗
5:	10.7x ➡
6:	10.0 ↗
7:	10.4x ↙
8:	10.6x ↖
9:	10.5x ↗
10:	9.7 ↖
<b>Series</b>	<b>102.2</b>
	<b>404.7</b>

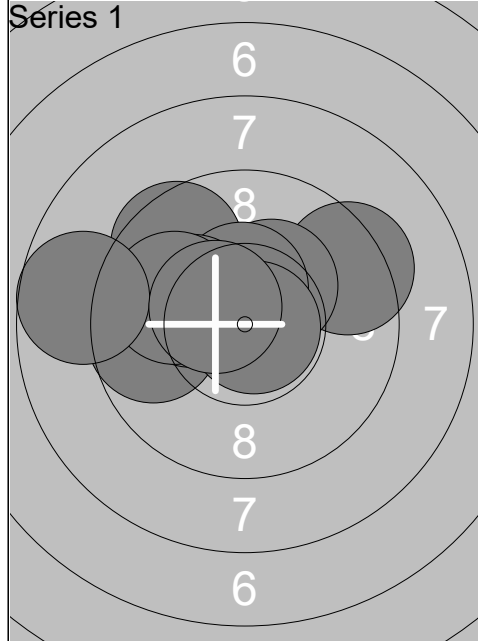


1:	10.7x ↙
2:	9.3 ↗
3:	10.2x ↙
4:	10.1 ↑
5:	9.5 ↗
6:	10.2x ↓
7:	9.7 ↗
8:	9.9 ➡
9:	10.3x ↗
10:	9.7 ↑
<b>Series</b>	<b>99.6</b>
	<b>504.3</b>

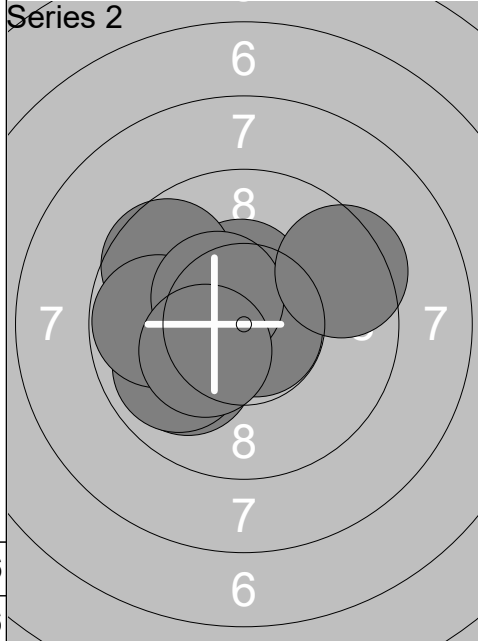


1:	9.3 ↗
2:	10.5x ↓
3:	10.4x ↖
4:	10.6x ➡
5:	10.5x ↑
6:	9.8 ↑
7:	8.7 ↗
8:	10.2x ↓
9:	10.0 ←
10:	10.4x ↑
<b>Series</b>	<b>100.4</b>
	<b>604.7</b>

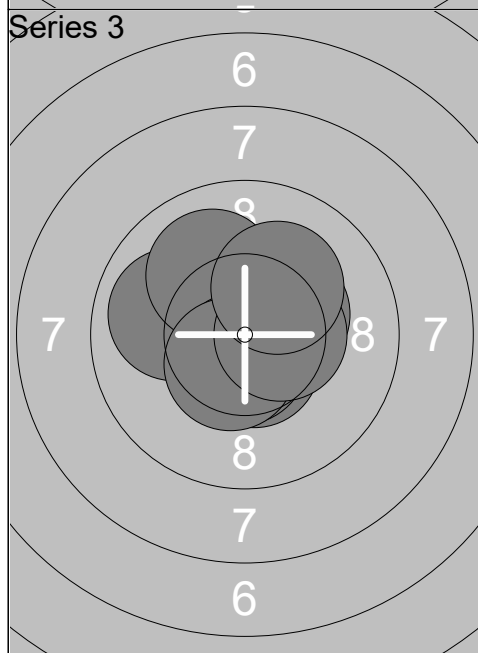
Relay	Lane	Sander V. Sørensen		
5	13	DEN	MJ	R
Qual Day 1		Denmark Open Air 2026		Denmark Open Air 2026
11.02.2026				
Series 1 	1: 8.8 ↗	Series 2 	1: 9.2 ➤	
	2: 9.1 ➔		2: 10.5x ↗	
	3: 9.1 ↗		3: 10.0 ➔	
	4: 10.0 ↓		4: 10.2x ↗	
	5: 9.4 ↗		5: 10.5x ➤	
	6: 10.5x ➔		6: 10.3x ➔	
	7: 10.4x ↘		7: 10.5x ↓	
	8: 10.3x ↗		8: 10.1 ←	
	9: 9.2 ↙		9: 10.7x ↗	
	10: 10.6x ↘		10: 9.8 ↑	
	Series 97.4		Series 101.8	
	97.4		199.2	
Series 3 	1: 9.7 ↙	Series 4 	1: 10.7x ➔	
	2: 10.0 ←		2: 10.1 ➔	
	3: 10.4x ↙		3: 9.4 ↗	
	4: 10.7x ↙		4: 10.2x ↗	
	5: 10.7x ↙		5: 10.1 ↑	
	6: 10.1 ↑		6: 10.6x ↙	
	7: 10.2x ↙		7: 10.3x ↙	
	8: 9.6 ←		8: 10.7x ↘	
	9: 9.9 ↙		9: 10.4x ↗	
	10: 9.2 ➔		10: 10.1 ←	
	Series 100.5		Series 102.6	
	299.7		402.3	
Series 5 	1: 10.1 ←	Series 6 	1: 10.1 ←	
	2: 10.7x ↗		2: 9.3 ↗	
	3: 10.4x ↗		3: 10.2x ↗	
	4: 10.3x ↙		4: 10.4x ↙	
	5: 10.6x ↙		5: 9.5 ↗	
	6: 9.4 ➔		6: 10.7x ↑	
	7: 10.7x ↘		7: 9.7 ↙	
	8: 10.6x ➔		8: 9.9 ←	
	9: 10.5x ↗		9: 10.4x ↗	
	10: 9.6 ➔		10: 9.5 ←	
	Series 102.9		Series 99.7	
	505.2		604.9	



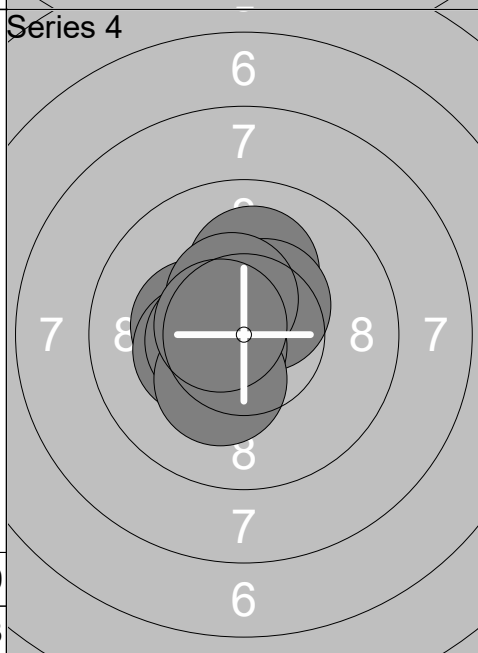
1:	9.4	↗
2:	10.3x	↗
3:	9.7	←
4:	9.6	↖
5:	10.5x	↑
6:	10.2x	↖
7:	9.9	←
8:	10.8x	→
9:	8.7	←
10:	10.5x	↖
<b>Series</b>		<b>99.6</b>
		<b>99.6</b>



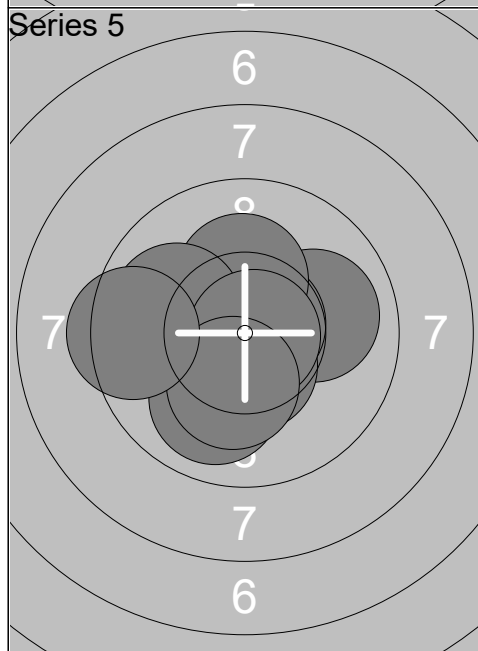
1:	10.4x	↑
2:	9.7	↖
3:	10.0	↖
4:	10.0	←
5:	9.9	↖
6:	9.8	←
7:	10.8x	→
8:	10.4x	↖
9:	9.4	↗
10:	10.3x	↖
<b>Series</b>		<b>100.7</b>
		<b>200.3</b>



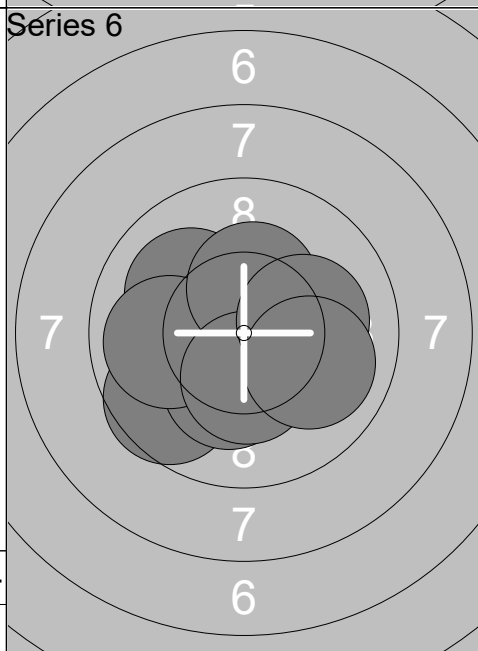
1:	10.3x	↖
2:	10.0	←
3:	10.9x	↘
4:	10.0	↖
5:	10.6x	↘
6:	10.6x	↘
7:	10.4x	↗
8:	10.5x	↘
9:	10.5x	→
10:	10.2x	↗
<b>Series</b>		<b>104.0</b>
		<b>304.3</b>



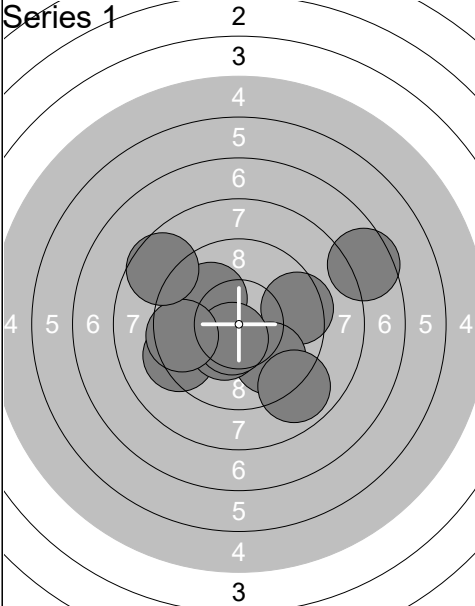
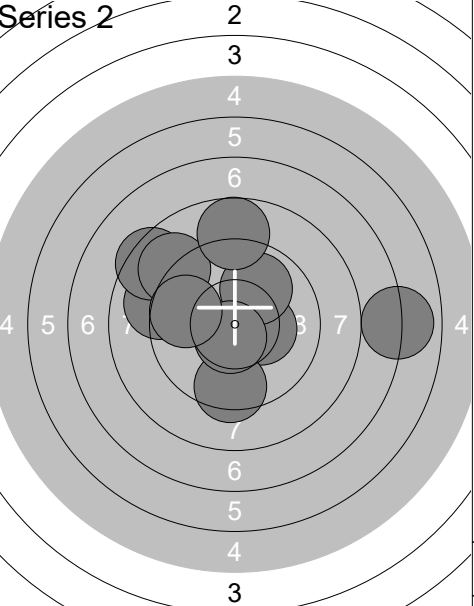
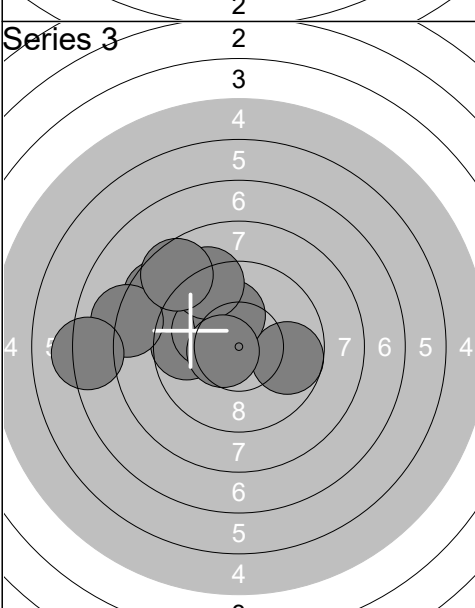
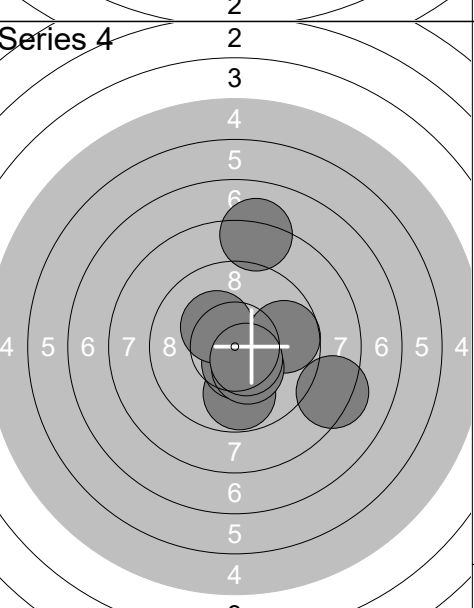
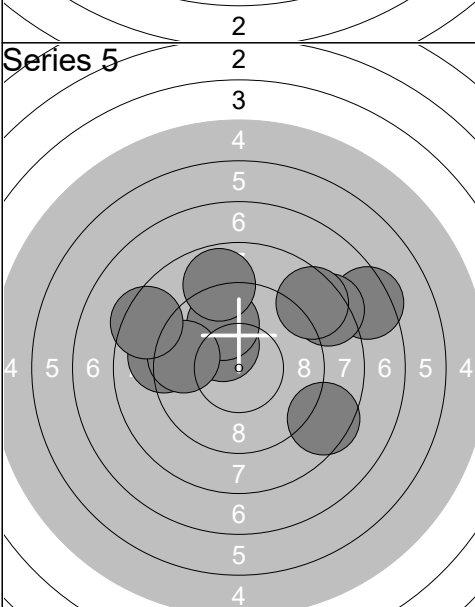
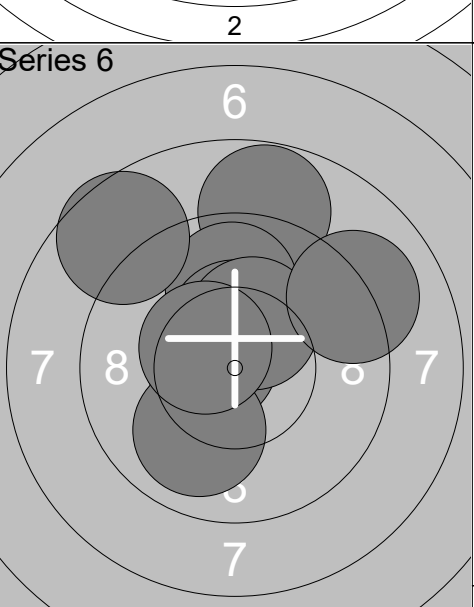
1:	10.1	↑
2:	10.7x	↖
3:	10.3x	↖
4:	10.5x	↗
5:	10.5x	↖
6:	10.6x	↖
7:	10.3x	←
8:	10.5x	←
9:	10.3x	↘
10:	10.6x	↖
<b>Series</b>		<b>104.4</b>
		<b>408.7</b>

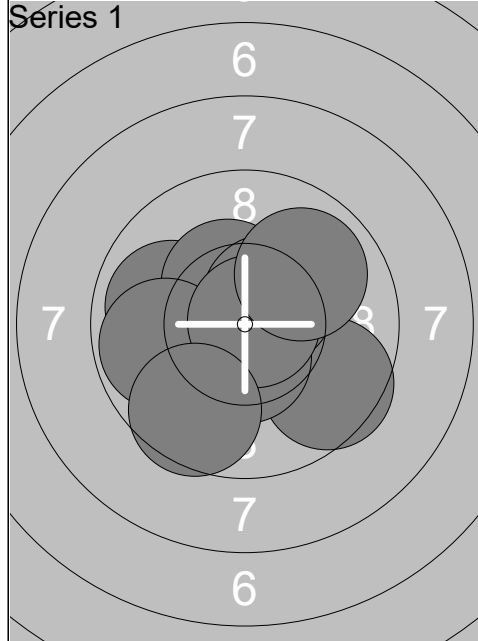


1:	10.5x	↖
2:	10.0	→
3:	10.0	↘
4:	10.7x	↗
5:	10.2x	↑
6:	10.5x	↘
7:	10.0	←
8:	10.8x	→
9:	10.3x	↘
10:	9.4	←
<b>Series</b>		<b>102.4</b>
		<b>511.1</b>

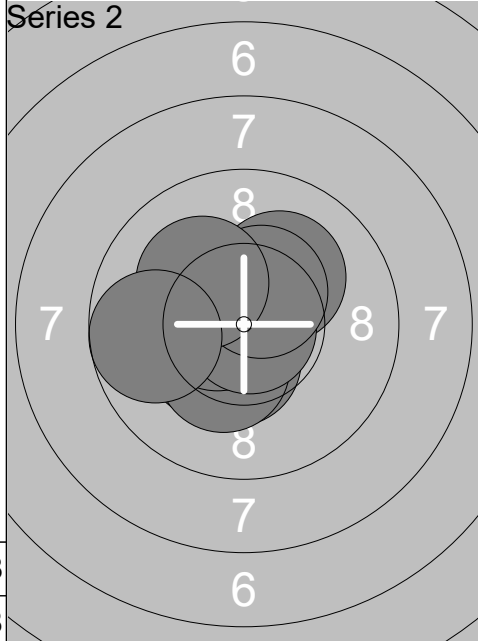


1:	10.1	↖
2:	9.6	↘
3:	10.8x	←
4:	10.8x	←
5:	10.2x	↘
6:	10.0	←
7:	10.3x	↑
8:	10.3x	↘
9:	10.1	→
10:	10.0	→
<b>Series</b>		<b>102.2</b>
		<b>613.3</b>

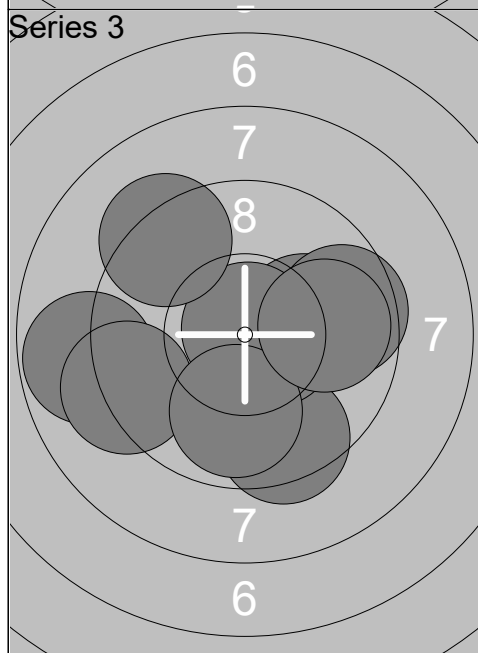
Relay	Lane	Szymon Latuszek			
5	15	SWE	MJ	R	
11.02.2026	Denmark Open Air 2026	Denmark Open Air 2026			
Series 1		1: 7.6 →	Series 2		1: 7.0 →
		2: 9.3 ←			2: 9.1 ←
		3: 10.0 ↗			3: 8.4 ↗
		4: 9.5 →			4: 10.3x →
		5: 9.8 ↘			5: 8.9 ↗
		6: 10.4x ↘			6: 9.4 ↓
		7: 10.5x ↘			7: 9.9 ↗
		8: 9.5 ←			8: 8.7 ↑
		9: 8.6 ↗			9: 10.6x ↘
		10: 8.9 ↘			10: 9.7 ←
		Series 94.1			Series 92.0
		94.1			186.1
Series 3		1: 9.7 ←	Series 4		1: 10.5x ↘
		2: 9.7 →			2: 10.8x →
		3: 8.6 ↗			3: 9.8 ↓
		4: 10.1 ↗			4: 8.2 ↑
		5: 8.1 ←			5: 10.6x ↘
		6: 10.1 ↑			6: 9.7 →
		7: 9.2 ↗			7: 10.3x ↗
		8: 7.2 ←			8: 10.3x ↘
		9: 10.5x ←			9: 8.3 →
		10: 8.6 ↗			10: 10.5x ↘
		Series 91.8			Series 99.0
		277.9			376.9
Series 5		1: 9.1 ←	Series 6		1: 8.8 ↑
		2: 10.3x ↗			2: 10.4x ↑
		3: 8.5 ↘			3: 9.9 ↑
		4: 9.8 ↑			4: 10.6x ←
		5: 7.4 →			5: 10.0 ↘
		6: 8.3 ↗			6: 10.4x ↑
		7: 9.6 ←			7: 10.3x ↑
		8: 8.8 ↑			8: 8.6 ↗
		9: 8.4 ←			9: 9.1 ↗
		10: 8.6 ↗			10: 10.5x ↗
		Series 88.8			Series 98.6
		465.7			564.3



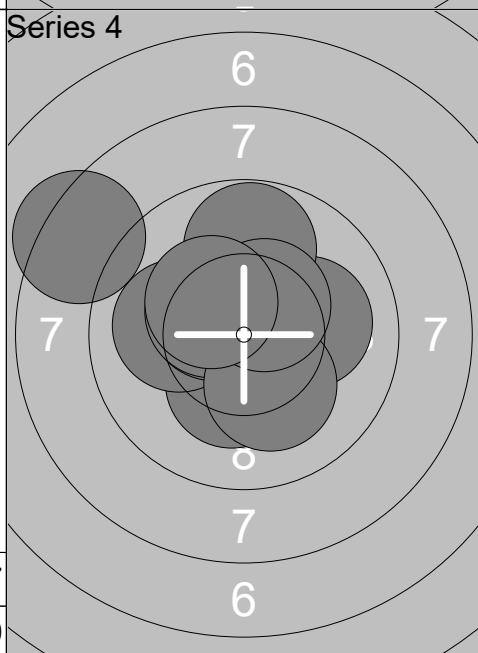
1:	10.8x ↙
2:	9.6 ➡
3:	9.9 ←
4:	10.4x ↗
5:	10.5x ↗
6:	10.5x ↓
7:	9.8 ←
8:	10.8x ➡
9:	9.6 ↓
10:	9.9 ↗
<b>Series</b>	<b>101.8</b>
	<b>101.8</b>



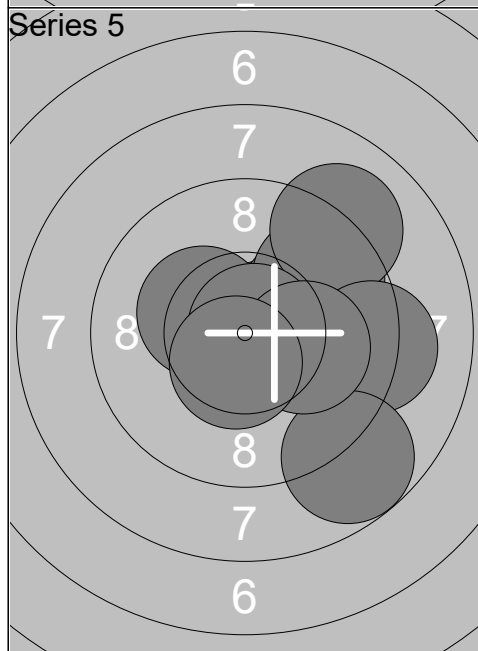
1:	10.4x ↙
2:	10.5x ↓
3:	10.2x ↗
4:	10.4x ↖
5:	10.3x ↓
6:	10.6x ←
7:	10.9x ➡
8:	10.4x ↗
9:	10.1 ↖
10:	9.7 ←
<b>Series</b>	<b>103.5</b>
	<b>205.3</b>



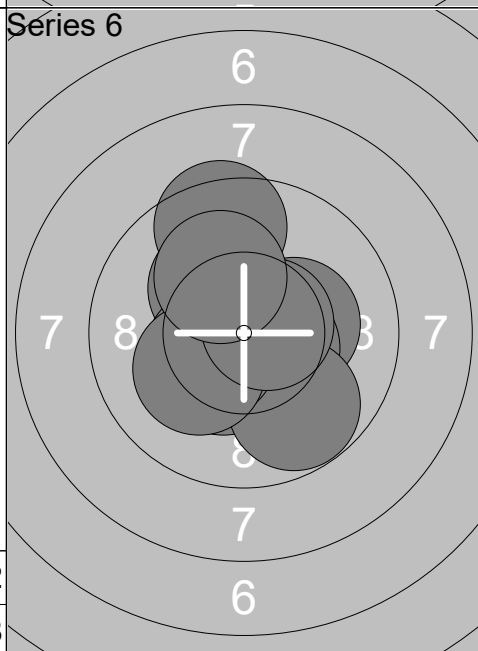
1:	8.8 ←
2:	10.1 ➡
3:	9.5 ↓
4:	10.6x ➡
5:	9.2 ←
6:	10.8x ↗
7:	9.9 ↓
8:	9.6 ➡
9:	9.9 ➡
10:	9.3 ↖
<b>Series</b>	<b>97.7</b>
	<b>303.0</b>



1:	8.4 ↖
2:	10.3x ↓
3:	10.1 ←
4:	10.5x ↖
5:	10.1 ➡
6:	9.8 ↑
7:	10.4x ↖
8:	10.2x ↓
9:	10.5x ↗
10:	10.3x ↖
<b>Series</b>	<b>100.6</b>
	<b>403.6</b>



1:	10.7x ➡
2:	10.0 ↗
3:	10.3x ↖
4:	9.7 ↗
5:	9.1 ↗
6:	10.8x ➡
7:	9.2 ➡
8:	8.8 ↓
9:	10.1 ➡
10:	10.5x ↓
<b>Series</b>	<b>99.2</b>
	<b>502.8</b>



1:	10.4x ↓
2:	9.5 ↑
3:	10.3x ➡
4:	10.2x ↖
5:	10.5x ➡
6:	9.8 ↓
7:	10.4x ↖
8:	10.2x ↖
9:	10.6x ➡
10:	10.1 ↗
<b>Series</b>	<b>102.0</b>
	<b>604.8</b>