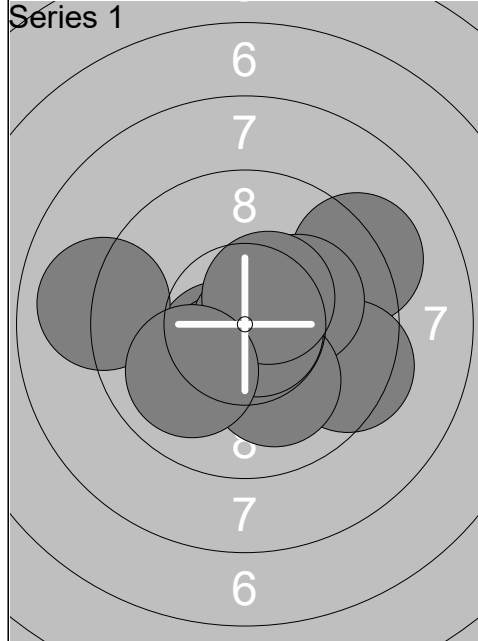
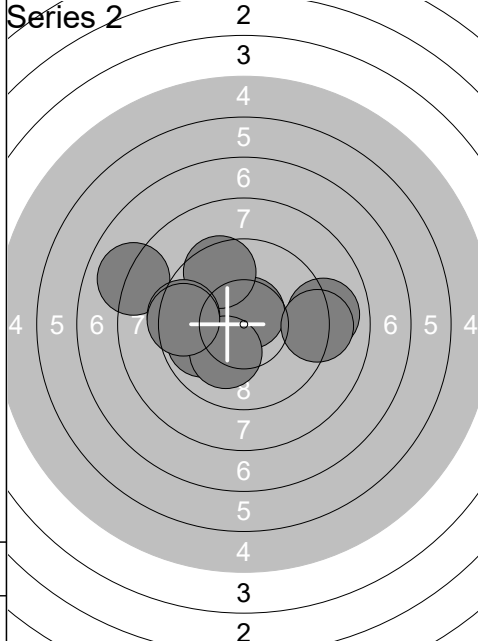


Relay	Lane	Björn Friman			
5	17	FIN		M	R
Qual Day 1		Denmark Open Air 2026		Denmark Open Air 2026	
11.02.2026		Denmark Open Air 2026		Denmark Open Air 2026	
Series 1 	1: 10.0 →	Series 2 	1: 10.0 ↙		
	2: 10.5x ↘		2: 10.5x ↖		
	3: 9.3 ←		3: 9.7 ↖		
	4: 10.7x ↘		4: 9.7 ↗		
	5: 10.5x ↙		5: 9.6 ←		
	6: 10.1 →		6: 10.5x ↘		
	7: 9.9 ↗		7: 9.4 →		
	8: 10.4x ↖		8: 10.5x ↗		
	9: 10.5x ↘		9: 10.7x →		
	10: 10.0 ←		10: 10.1 ↘		
	Series 101.9		Series 100.7		
	101.9		202.6		
Series 3 	1: 10.4x ↖	Series 4 	1: 10.3x ↙		
	2: 10.3x ↗		2: 9.9 ←		
	3: 10.2x ↗		3: 9.8 ↗		
	4: 9.8 →		4: 10.4x ↘		
	5: 10.8x ↙		5: 9.5 ←		
	6: 10.0 ↗		6: 9.8 ↓		
	7: 10.0 ↗		7: 10.7x →		
	8: 10.3x →		8: 10.2x ↗		
	9: 10.7x ↖		9: 9.5 →		
	10: 10.5x ↘		10: 10.5x ↗		
	Series 103.0		Series 100.6		
	305.6		406.2		
Series 5 	1: 10.4x ↗	Series 6 	1: 10.9x ↙		
	2: 9.5 →		2: 10.5x ↘		
	3: 10.2x →		3: 9.8 ↗		
	4: 9.8 ↗		4: 9.9 ↓		
	5: 9.9 ←		5: 10.2x →		
	6: 9.8 ↗		6: 10.8x ↘		
	7: 10.3x ↘		7: 10.2x ↙		
	8: 10.4x ↙		8: 9.1 ←		
	9: 10.2x ↗		9: 10.5x ↖		
	10: 9.9 ↘		10: 10.6x ↘		
	Series 100.4		Series 102.5		
	506.6		609.1		

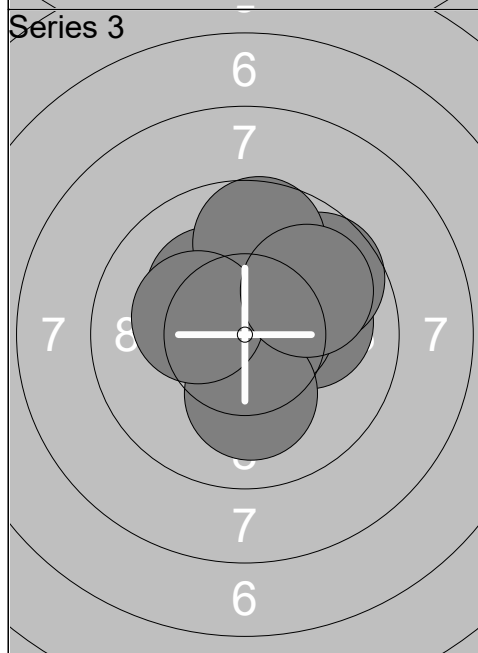
Relay	Lane	Cristian Friman		
5	19	FIN	M	R
11.02.2026	Denmark Open Air 2026	Denmark Open Air 2026		
Series 1 	1: 9.8 ↘	Series 2 	1: 9.9 ↘	
	2: 10.3x ↗		2: 9.5 ↖	
	3: 10.2x →		3: 9.8 ↑	
	4: 10.0 →		4: 10.6x ←	
	5: 10.3x ↘		5: 10.1 ←	
	6: 10.0 ↘		6: 10.7x ←	
	7: 10.4x ↑		7: 10.0 →	
	8: 9.2 ↘		8: 10.7x ←	
	9: 10.5x ↘		9: 10.8x ↘	
	10: 10.5x ↘		10: 9.4 ↘	
	Series 101.2	Series 101.5		
	101.2	202.7		
Series 3 	1: 10.4x ↖	Series 4 	1: 10.1 ↗	
	2: 10.6x →		2: 9.5 ↗	
	3: 10.6x ↗		3: 10.4x ↗	
	4: 10.2x ↗		4: 10.3x ←	
	5: 10.4x ↙		5: 10.5x ↘	
	6: 9.5 →		6: 10.8x ↘	
	7: 10.1 →		7: 10.4x ↑	
	8: 10.4x ↑		8: 10.0 →	
	9: 10.2x ↑		9: 10.6x ↑	
	10: 10.0 →		10: 9.7 ↗	
	Series 102.4	Series 102.3		
	305.1	407.4		
Series 5 	1: 10.5x ↘	Series 6 	1: 9.8 ↘	
	2: 10.3x ↖		2: 9.9 ↘	
	3: 10.5x ↗		3: 9.8 ↘	
	4: 9.7 →		4: 10.0 ↘	
	5: 10.0 ↑		5: 10.4x ←	
	6: 9.3 →		6: 10.6x ↘	
	7: 10.6x ↗		7: 10.5x ↘	
	8: 10.0 ↑		8: 10.1 ←	
	9: 10.0 ↙		9: 10.1 ↗	
	10: 10.3x ↗		10: 9.9 →	
	Series 101.2	Series 101.1		
	508.6	609.7		



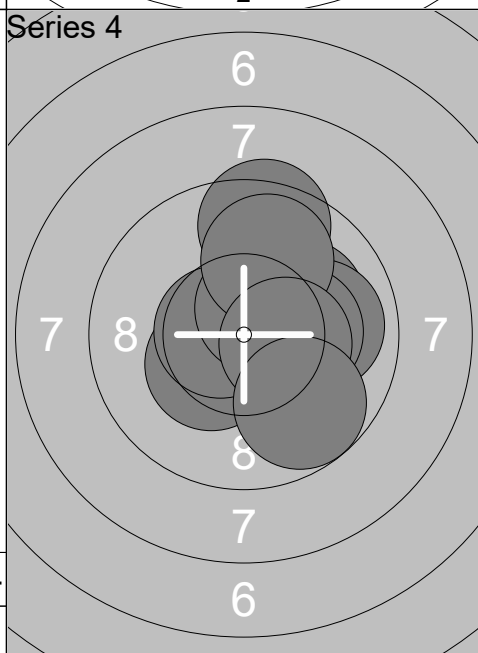
1:	10.5x ↙
2:	9.2 →
3:	10.4x ↘
4:	9.0 ←
5:	9.4 →
6:	10.2x →
7:	10.1 ↘
8:	10.8x →
9:	10.5x ↗
10:	10.0 ↙
Series	100.1
	100.1



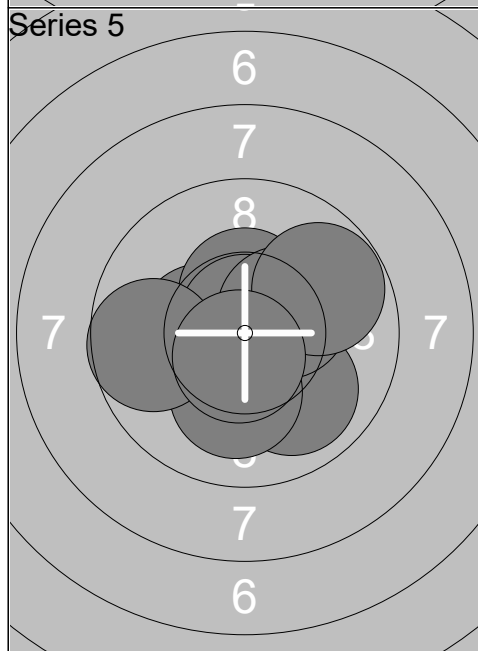
1:	9.0 →
2:	8.0 ←
3:	9.9 ←
4:	10.5x ←
5:	10.6x ↗
6:	9.5 ↗
7:	9.4 ←
8:	10.1 ↘
9:	9.4 ←
10:	9.2 →
Series	95.6
	195.7



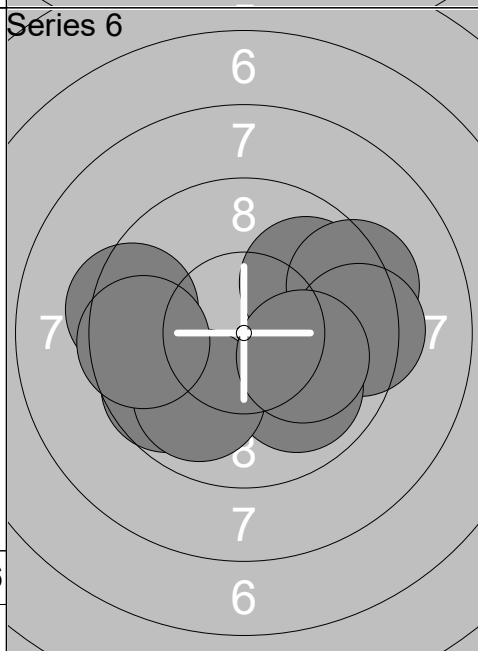
1:	10.3x →
2:	10.1 →
3:	10.5x ↗
4:	10.6x →
5:	9.7 ↗
6:	10.2x ↘
7:	9.7 ↗
8:	10.1 ↘
9:	10.3x ←
10:	9.9 ↗
Series	101.4
	297.1



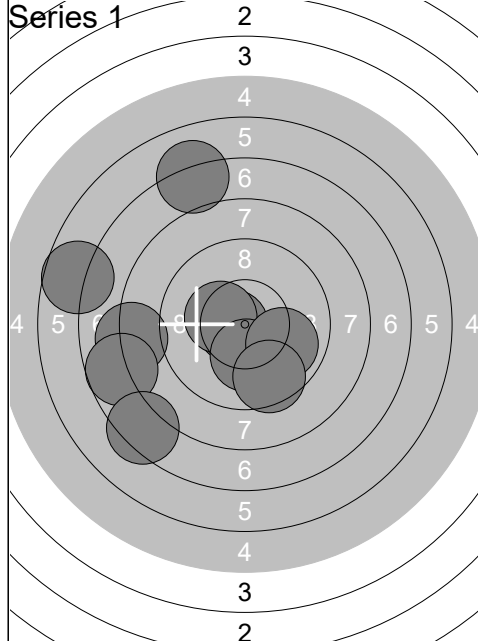
1:	10.4x ↘
2:	10.1 →
3:	10.6x ←
4:	10.0 →
5:	10.2x →
6:	9.5 ↗
7:	10.5x ↗
8:	9.9 ↗
9:	10.4x →
10:	9.8 ↘
Series	101.4
	398.5



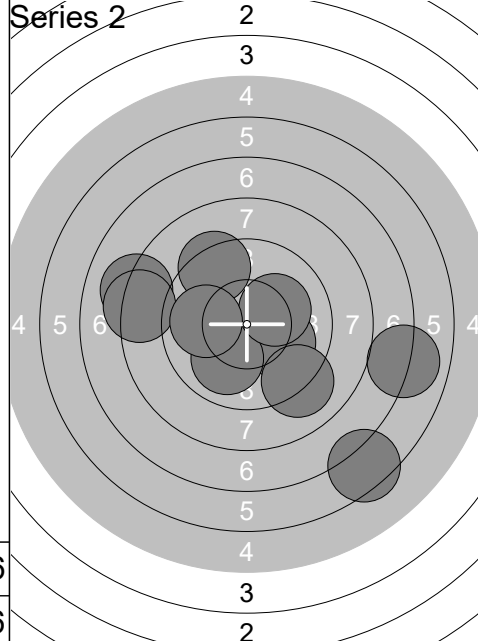
1:	10.4x ←
2:	10.0 ↘
3:	10.4x ↘
4:	10.4x ↗
5:	10.8x ↗
6:	10.4x →
7:	9.8 →
8:	10.1 ↘
9:	9.7 ←
10:	10.6x ↘
Series	102.6
	501.1



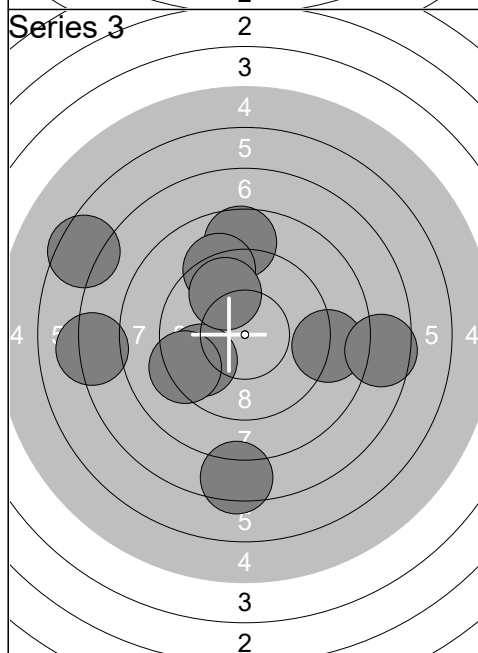
1:	10.1 ↘
2:	9.7 ←
3:	9.9 ↗
4:	9.3 →
5:	9.4 →
6:	9.9 ↘
7:	9.4 ←
8:	9.9 ↘
9:	10.1 →
10:	9.6 ←
Series	97.3
	598.4



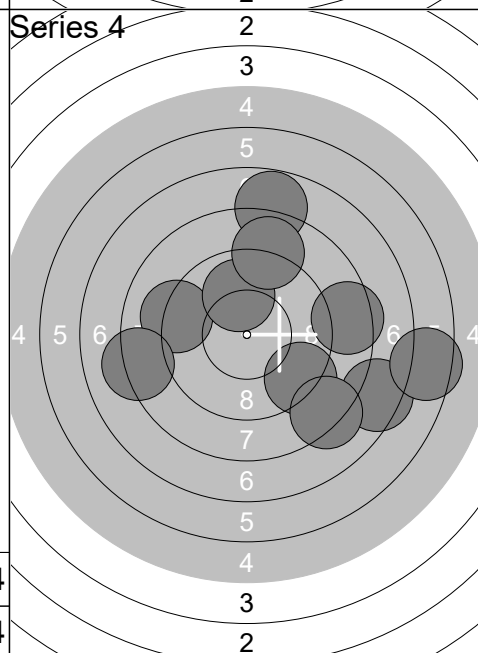
1: 10.6x	←
2: 6.7	←
3: 10.3x	←
4: 7.1	↑
5: 10.2x	↓
6: 8.1	←
7: 7.7	←
8: 9.9	→
9: 7.4	↙
10: 9.6	↓
Series	87.6
87.6	



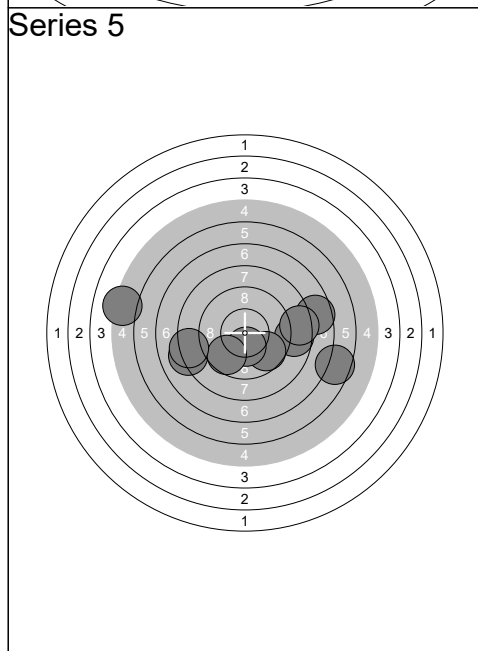
1: 10.0	→
2: 8.1	←
3: 8.3	←
4: 7.0	→
5: 10.0	↓
6: 6.5	↓
7: 10.2x	↗
8: 9.3	↑
9: 9.9	←
10: 9.1	↘
Series	88.4
176.0	



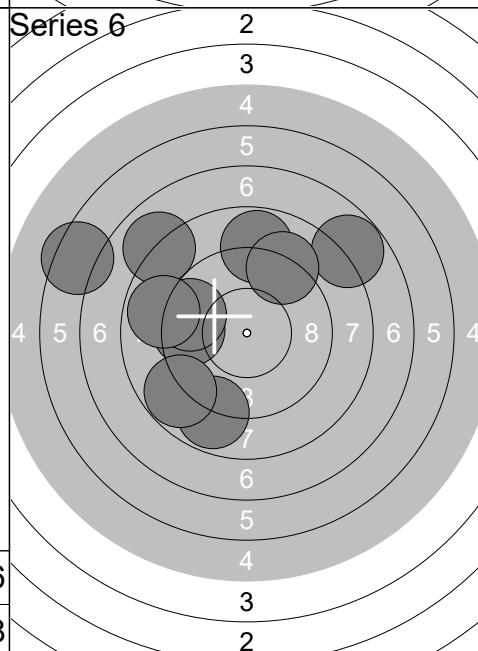
1: 8.7	↑
2: 7.4	↓
3: 9.7	←
4: 9.3	←
5: 9.2	↑
6: 6.5	←
7: 8.9	→
8: 7.2	←
9: 9.9	↑
10: 7.6	→
Series	84.4
260.4	



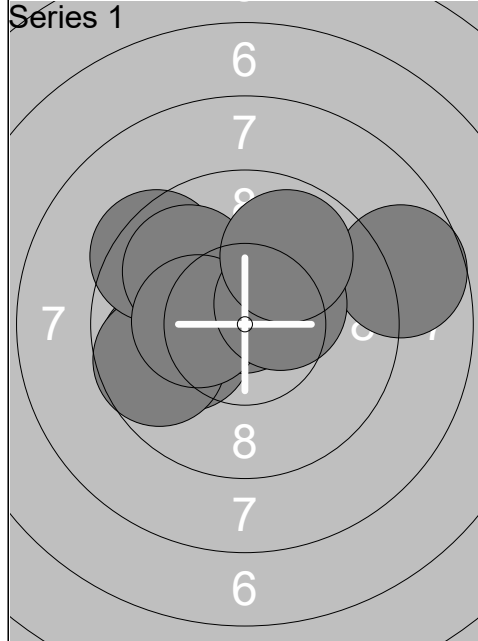
1: 9.2	←
2: 10.0	↑
3: 8.4	→
4: 9.2	↘
5: 8.2	←
6: 7.4	→
7: 7.8	↑
8: 8.2	↘
9: 6.5	→
10: 8.9	↑
Series	83.8
344.2	



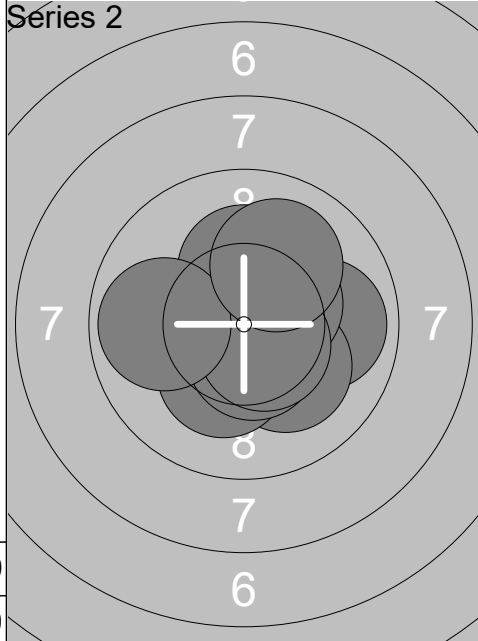
1: 6.6	→
2: 7.6	→
3: 8.7	→
4: 9.7	↘
5: 8.4	→
6: 8.2	←
7: 10.3x	↓
8: 9.6	↙
9: 8.3	←
10: 5.2	←
Series	82.6
426.8	



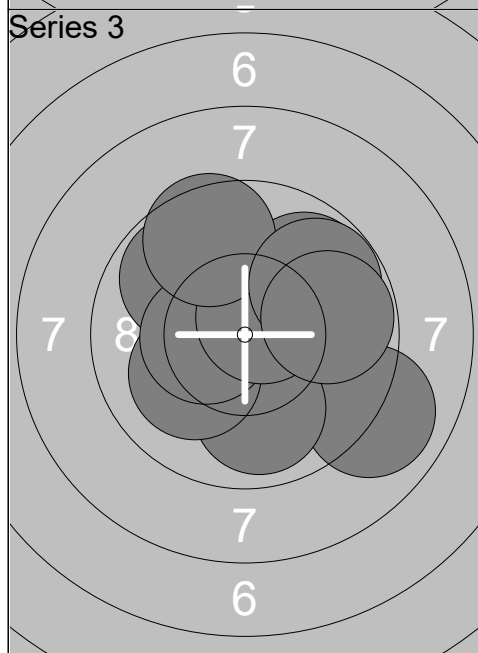
1: 8.0	↖
2: 8.8	↓
3: 8.8	↑
4: 6.4	←
5: 9.5	←
6: 9.5	←
7: 8.8	↙
8: 8.8	←
9: 7.8	↗
10: 9.1	↑
Series	85.5
512.3	



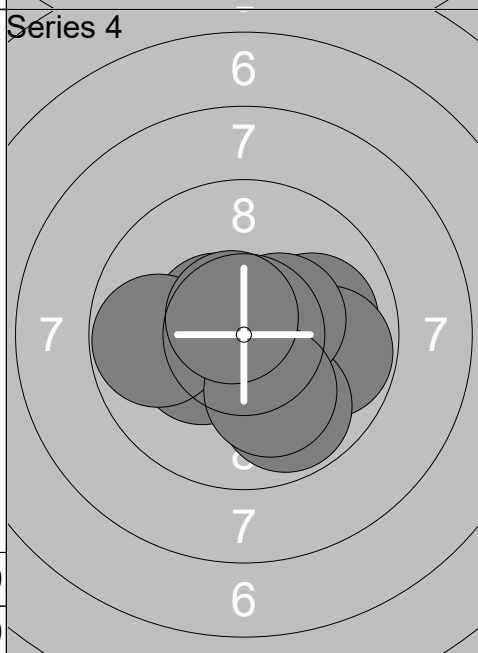
1:	9.8	←
2:	10.1	←
3:	9.7	←
4:	10.7x	↑
5:	9.4	↖
6:	9.9	↖
7:	10.3x	←
8:	8.7	→
9:	10.4x	↗
10:	9.9	↗
Series	98.9	
	98.9	



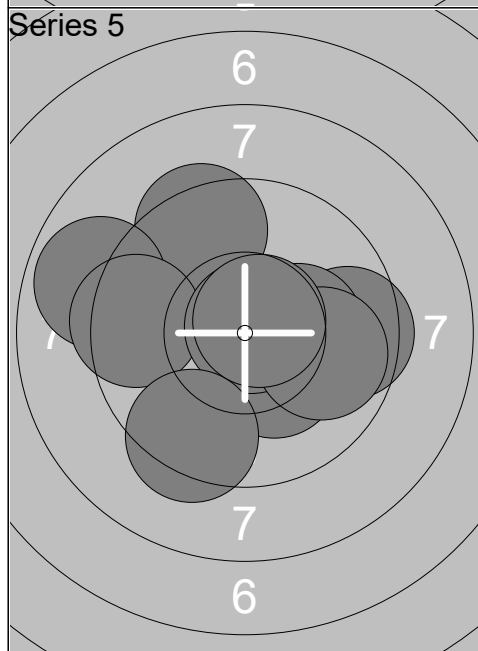
1:	10.3x	↘
2:	10.2x	↑
3:	9.9	→
4:	10.2x	↘
5:	10.2x	↘
6:	10.4x	↗
7:	10.5x	↓
8:	10.6x	↘
9:	9.9	←
10:	10.0	↗
Series	102.2	
	201.1	



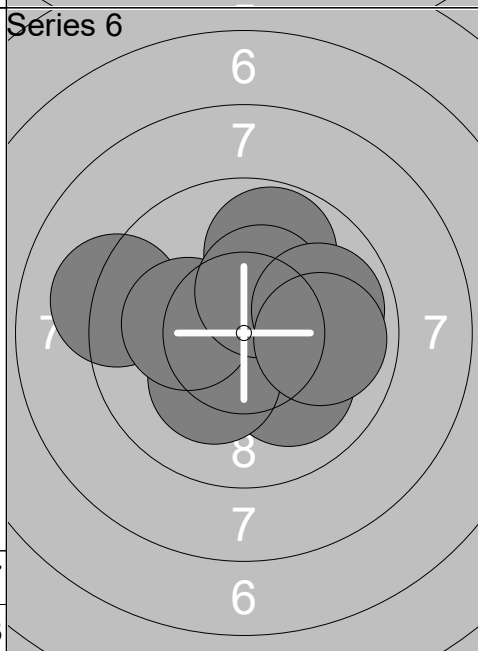
1:	9.0	↘
2:	9.9	↓
3:	10.1	←
4:	9.9	↖
5:	10.4x	←
6:	9.8	↗
7:	10.6x	↗
8:	9.6	↑
9:	9.8	↗
10:	9.8	→
Series	98.9	
	300.0	



1:	10.0	→
2:	10.2x	→
3:	10.3x	←
4:	9.8	→
5:	10.5x	↖
6:	9.8	↓
7:	9.8	←
8:	10.4x	→
9:	10.1	↓
10:	10.7x	↖
Series	101.6	
	401.6	



1:	9.4	↗
2:	9.6	→
3:	8.9	←
4:	10.3x	↘
5:	9.5	←
6:	10.2x	→
7:	10.8x	↗
8:	9.9	→
9:	9.4	↓
10:	10.7x	↗
Series	98.7	
	500.3	



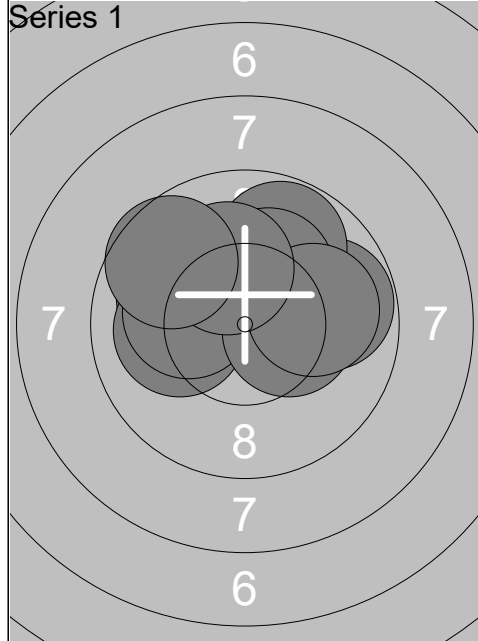
1:	10.4x	↘
2:	9.8	↑
3:	10.5x	↘
4:	10.1	↓
5:	10.2x	↘
6:	9.2	←
7:	10.2x	←
8:	10.3x	↗
9:	9.9	→
10:	9.9	→
Series	100.5	
	600.8	

Relay	Lane	Isak Gurrik		
5	23	NOR	M	R
Qual Day 1		Denmark Open Air 2026		Denmark Open Air 2026
11.02.2026				
Series 1 	1: 10.7x ↑	Series 2 	1: 10.8x ↓	
	2: 10.2x ➤		2: 10.2x ↖	
	3: 10.3x ➔		3: 10.5x ↖	
	4: 10.6x ↑		4: 10.2x ↙	
	5: 10.6x ↓		5: 10.4x ↑	
	6: 10.5x ↗		6: 10.4x ↓	
	7: 10.6x ←		7: 10.2x ↙	
	8: 9.7 ↖		8: 10.7x ↑	
	9: 10.5x ↑		9: 9.8 ↑	
	10: 10.4x ↙		10: 10.8x ➔	
	Series 104.1	Series 104.0		
	104.1		208.1	
Series 3 	1: 10.4x ↖	Series 4 	1: 10.0 ←	
	2: 9.8 ↓		2: 10.3x ↖	
	3: 10.1 ↑		3: 10.3x ➤	
	4: 10.2x ↖		4: 10.7x ↓	
	5: 10.4x ↙		5: 10.5x ↓	
	6: 10.3x ➤		6: 10.2x ↓	
	7: 10.3x ←		7: 9.9 ➔	
	8: 10.5x ↖		8: 10.9x	
	9: 10.4x ↑		9: 10.6x ↑	
	10: 10.8x ↓		10: 10.3x ↑	
	Series 103.2	Series 103.7		
	311.3		415.0	
Series 5 	1: 10.2x ↖	Series 6 	1: 10.4x ↑	
	2: 10.7x ↑		2: 10.3x ➔	
	3: 10.4x ↙		3: 10.3x ➔	
	4: 10.4x ↙		4: 10.4x ↓	
	5: 10.2x ➤		5: 10.1 ➤	
	6: 10.6x ↓		6: 10.3x ↗	
	7: 10.6x ↓		7: 10.6x ←	
	8: 10.7x ↗		8: 10.4x ↓	
	9: 10.0 ↗		9: 10.1 ↗	
	10: 10.5x ➔		10: 10.3x ➤	
	Series 104.3	Series 103.2		
	519.3		622.5	

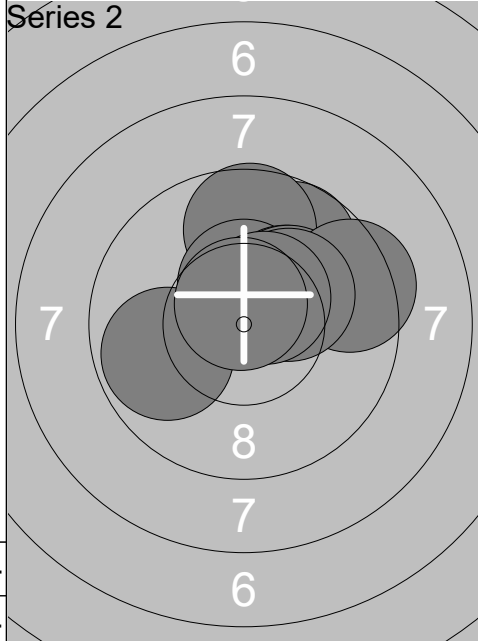
Relay 5	Lane 24	Jacob Kuylser		
-------------------	-------------------	----------------------	--	--

Qual Day 1	SWE	M	R
------------	-----	---	---

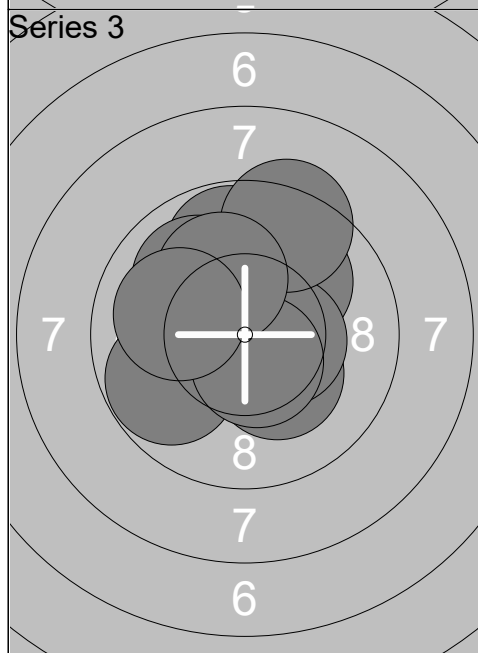
11.02.2026	Denmark Open Air 2026	Denmark Open Air 2026
------------	-----------------------	-----------------------



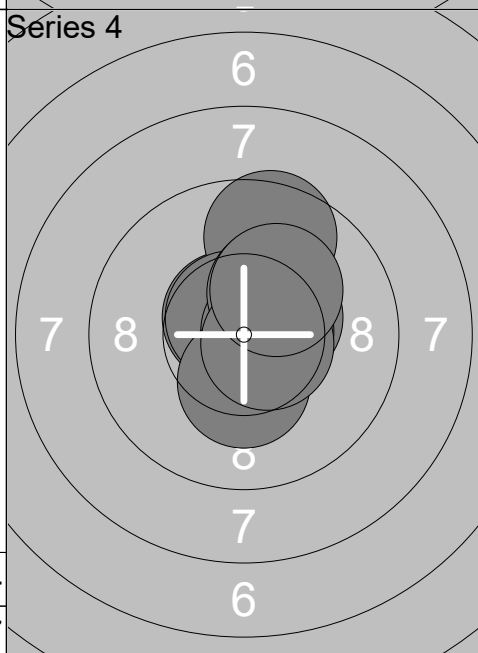
1:	10.0	↙
2:	9.8	→
3:	9.8	↗
4:	10.1	↙
5:	10.2x	↙
6:	10.2x	↗
7:	10.4x	→
8:	10.0	→
9:	10.2x	↗
10:	9.7	↙
Series	100.4	
	100.4	



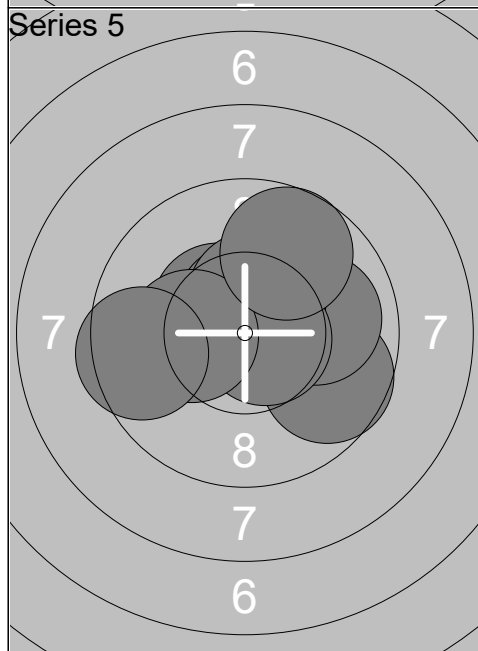
1:	9.7	↗
2:	9.7	↑
3:	10.4x	↑
4:	10.3x	↗
5:	10.2x	↗
6:	9.4	→
7:	10.2x	↗
8:	9.8	↙
9:	10.5x	↗
10:	10.7x	↑
Series	100.9	
	201.3	



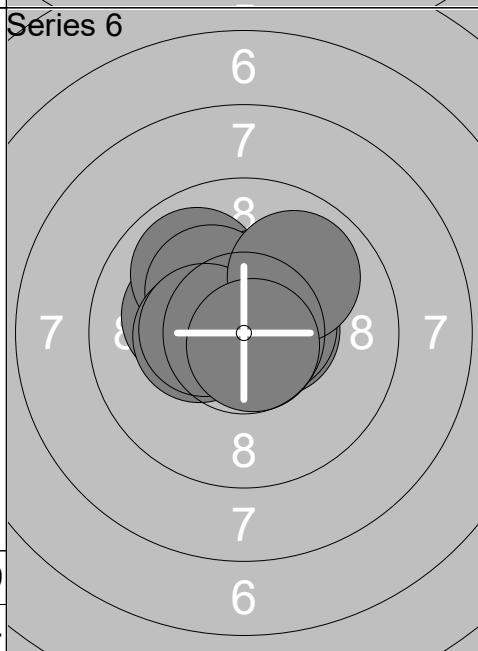
1:	10.3x	↘
2:	9.8	↙
3:	9.8	↑
4:	10.0	↗
5:	10.5x	→
6:	10.5x	↘
7:	9.4	↗
8:	10.0	↖
9:	10.1	↗
10:	10.0	↙
Series	100.4	
	301.7	



1:	10.5x	↗
2:	10.3x	↗
3:	10.7x	↖
4:	9.6	↑
5:	10.7x	↖
6:	10.6x	→
7:	10.3x	↓
8:	10.3x	↗
9:	10.6x	→
10:	10.2x	↗
Series	103.8	
	405.5	

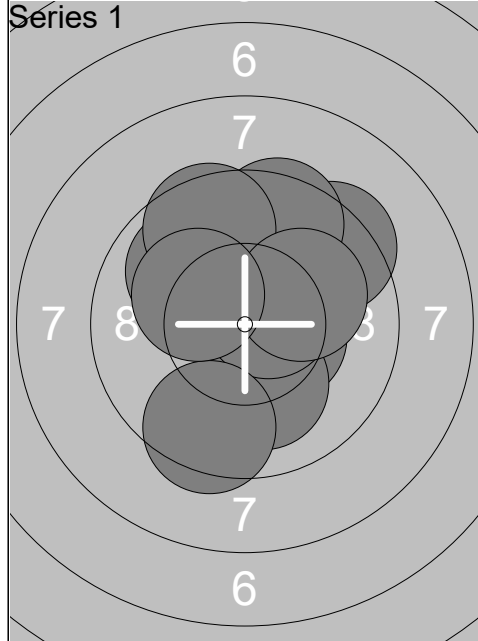


1:	9.7	↘
2:	10.0	→
3:	10.5x	↖
4:	10.5x	↗
5:	10.6x	↑
6:	10.5x	↗
7:	10.7x	→
8:	10.2x	↙
9:	9.5	↙
10:	9.7	↗
Series	101.9	
	507.4	

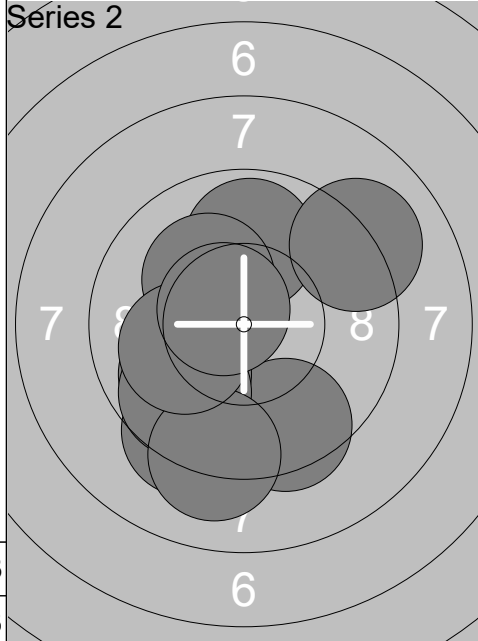


1:	10.2x	↙
2:	9.9	↖
3:	10.4x	↗
4:	10.6x	→
5:	10.3x	↖
6:	10.6x	→
7:	10.4x	↙
8:	10.4x	↙
9:	9.9	↗
10:	10.8x	↘
Series	103.5	
	610.9	

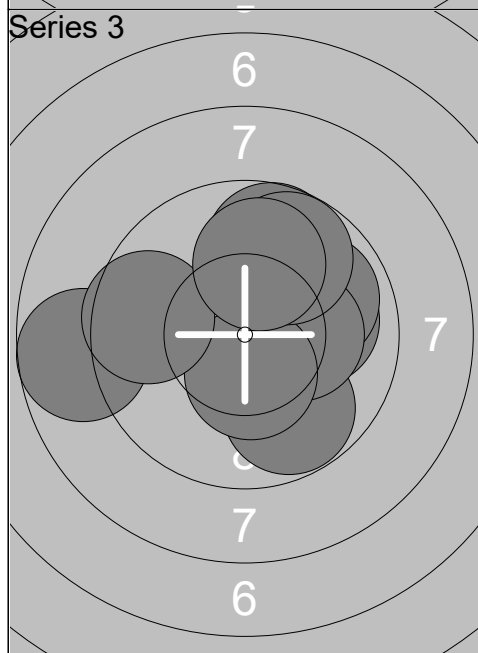
Relay	Lane	Jens Frimann		
5	26	DEN	M	R
Qual Day 1		Denmark Open Air 2026		Denmark Open Air 2026
11.02.2026				
Series 1 	1: 10.5x ↘	Series 2 	1: 10.2x →	
	2: 10.4x ↙		2: 9.9 →	
	3: 10.6x ↗		3: 10.1 →	
	4: 10.8x ↖		4: 10.6x ↘	
	5: 10.8x ←		5: 10.0 ↓	
	6: 10.5x ↗		6: 10.5x ↗	
	7: 9.9 ↗		7: 10.7x →	
	8: 10.8x →		8: 10.8x ↗	
	9: 9.6 →		9: 10.3x ↓	
	10: 9.2 →		10: 10.0 →	
	Series 103.1	Series 103.1	Series 103.1	
	103.1		206.2	
Series 3 	1: 10.3x ↘	Series 4 	1: 10.3x ↖	
	2: 10.1 ↙		2: 10.1 ↙	
	3: 10.3x ↗		3: 10.4x ↗	
	4: 10.4x ↙		4: 10.7x ↘	
	5: 10.5x ↓		5: 10.8x →	
	6: 10.1 ↗		6: 10.4x →	
	7: 10.4x →		7: 10.5x ↖	
	8: 9.8 ↗		8: 10.0 ↖	
	9: 9.8 ↗		9: 10.7x →	
	10: 10.8x →		10: 10.5x →	
	Series 102.5	Series 104.4	Series 104.4	
	308.7		413.1	
Series 5 	1: 10.4x ↓	Series 6 	1: 9.7 →	
	2: 10.7x ↓		2: 10.0 ↗	
	3: 10.8x ↓		3: 10.6x ↘	
	4: 10.6x ↖		4: 10.4x ↖	
	5: 10.1 ↓		5: 9.5 ←	
	6: 10.2x ↖		6: 10.0 ↗	
	7: 10.2x →		7: 10.5x ↖	
	8: 10.6x ↓		8: 10.8x →	
	9: 10.3x ↗		9: 10.7x ↘	
	10: 9.9 →		10: 10.2x ↘	
	Series 103.8	Series 102.4	Series 102.4	
	516.9		619.3	



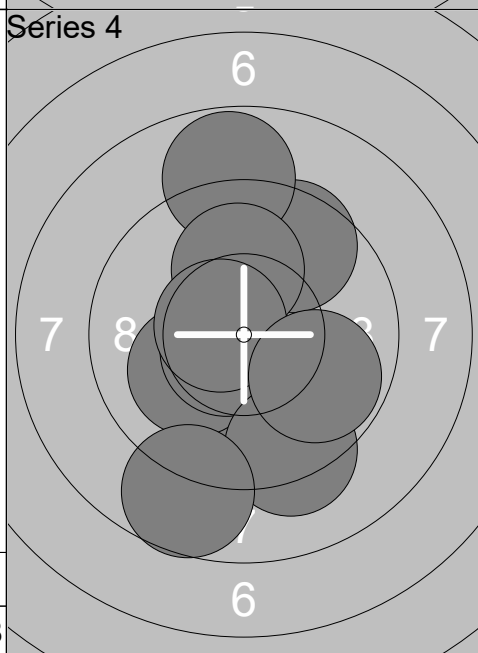
1:	9.4 ↗
2:	10.4x ➡
3:	10.1 ↓
4:	9.5 ↑
5:	9.9 ↖
6:	10.6x ➡
7:	9.6 ↑
8:	10.1 ➡
9:	9.5 ↓
10:	10.2x ↖
Series	99.3
	99.3



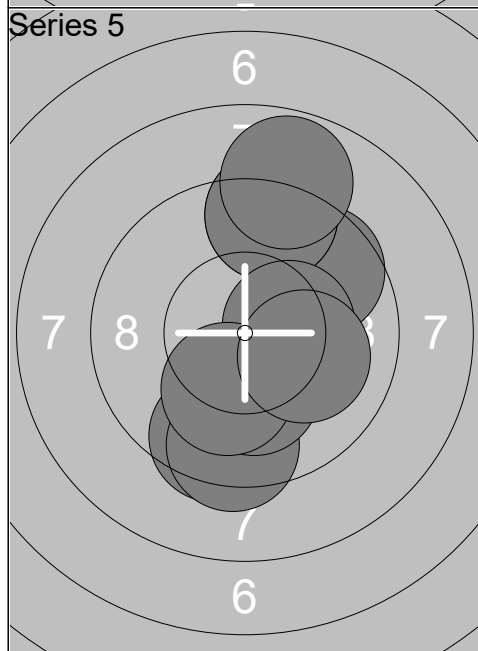
1:	9.5 ↓
2:	9.3 ↓
3:	9.9 ↑
4:	10.2x ↖
5:	9.9 ↙
6:	9.7 ↓
7:	9.1 ↓
8:	10.1 ←
9:	9.1 ➡
10:	10.6x ↖
Series	97.4
	196.7



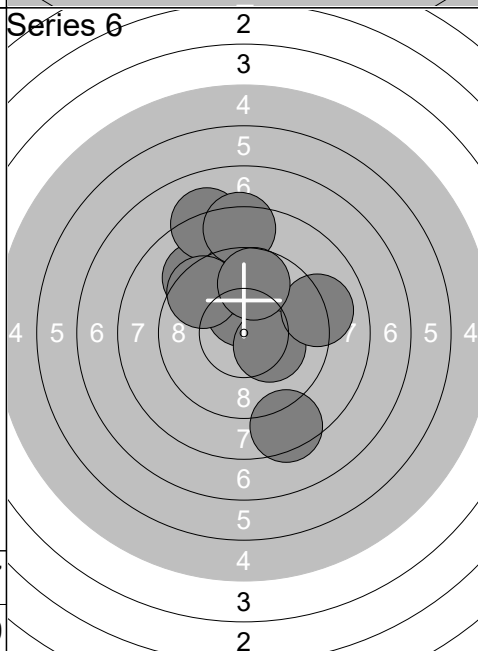
1:	10.0 ➡
2:	9.7 ↑
3:	8.7 ←
4:	9.8 ↓
5:	9.9 ➡
6:	10.2x ➡
7:	10.4x ↓
8:	9.8 ↑
9:	9.6 ←
10:	10.0 ↑
Series	98.1
	294.8



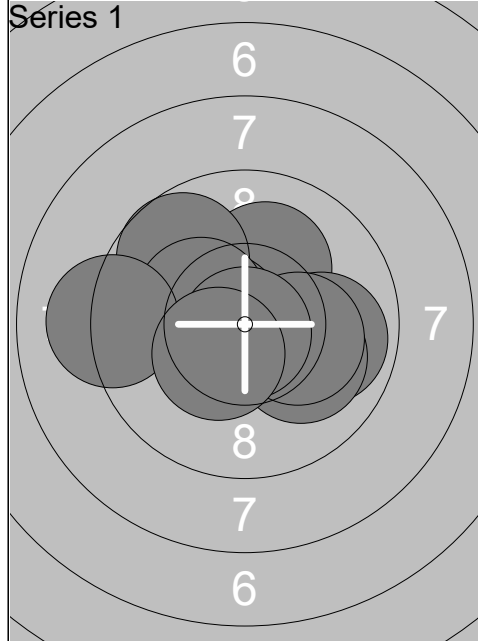
1:	9.6 ↗
2:	9.8 ↓
3:	8.8 ↑
4:	10.1 ↑
5:	10.1 ↙
6:	10.6x ↙
7:	10.6x ↖
8:	9.3 ↓
9:	8.7 ↓
10:	9.8 ➡
Series	97.4
	392.2



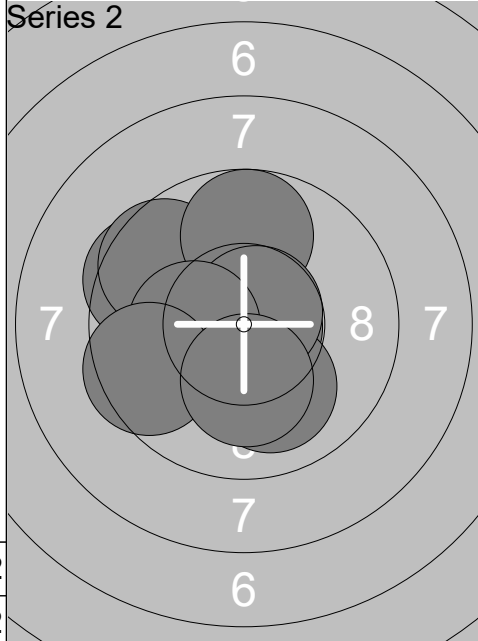
1:	9.5 ↓
2:	9.7 ➡
3:	9.4 ↓
4:	9.3 ↑
5:	9.3 ↑
6:	10.2x ↓
7:	10.3x ➡
8:	10.1 ↓
9:	10.1 ➡
10:	8.8 ↑
Series	96.7
	488.9



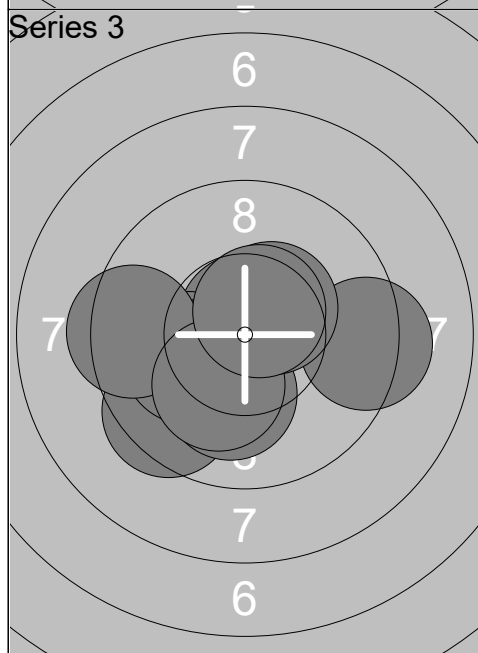
1:	9.2 ↖
2:	10.4x ↑
3:	8.1 ↑
4:	9.6 ↑
5:	10.2x ➡
6:	8.4 ↑
7:	9.5 ↖
8:	8.4 ↓
9:	9.1 ➡
10:	9.7 ↑
Series	92.6
	581.5



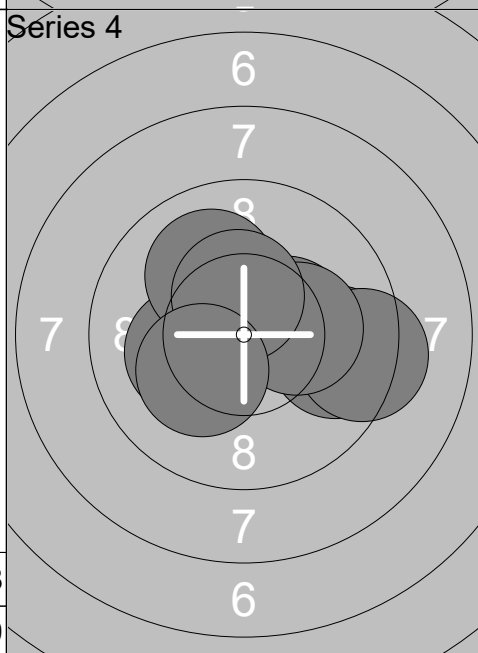
1:	10.1	↗
2:	10.6x	↙
3:	9.7	↗
4:	9.9	→
5:	10.1	↘
6:	10.2x	→
7:	10.3x	↙
8:	10.8x	↓
9:	9.1	←
10:	10.4x	↙
Series	101.2	
	101.2	



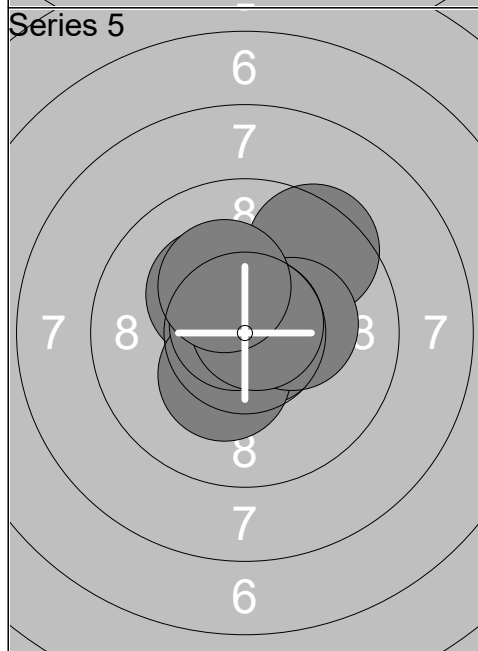
1:	9.5	↖
2:	10.6x	↙
3:	9.6	↖
4:	10.8x	→
5:	9.7	↑
6:	10.0	↓
7:	10.7x	↗
8:	10.3x	←
9:	9.5	↙
10:	10.2x	↓
Series	100.9	
	202.1	



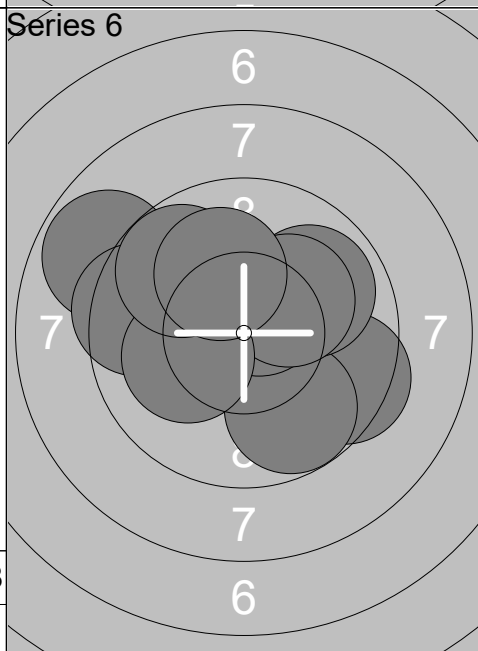
1:	10.7x	↑
2:	9.5	↙
3:	10.1	←
4:	9.3	→
5:	10.5x	↙
6:	9.4	←
7:	10.1	↓
8:	10.2x	↘
9:	10.4x	↗
10:	10.6x	↗
Series	100.8	
	302.9	



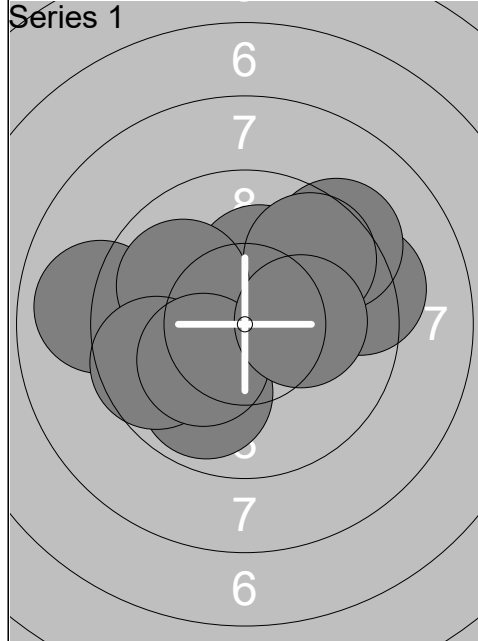
1:	10.4x	→
2:	9.7	→
3:	10.3x	↗
4:	10.2x	←
5:	9.3	→
6:	10.0	↗
7:	10.7x	↗
8:	10.2x	→
9:	10.4x	↑
10:	10.2x	↙
Series	101.4	
	404.3	



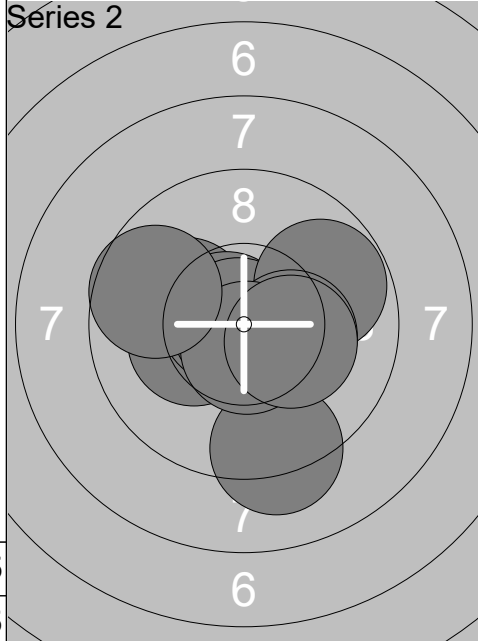
1:	10.7x	→
2:	10.3x	↖
3:	10.3x	→
4:	10.5x	↑
5:	10.3x	↘
6:	9.5	↗
7:	10.8x	↖
8:	10.3x	→
9:	10.8x	↗
10:	10.3x	↗
Series	103.8	
	508.1	



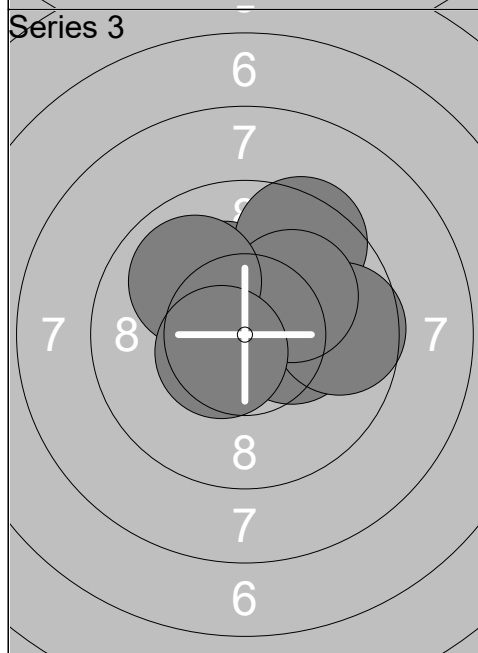
1:	8.8	↖
2:	9.5	→
3:	9.8	↓
4:	10.6x	↗
5:	9.9	↗
6:	9.5	←
7:	10.2x	↗
8:	10.1	←
9:	9.8	↖
10:	10.1	↗
Series	98.3	
	606.4	



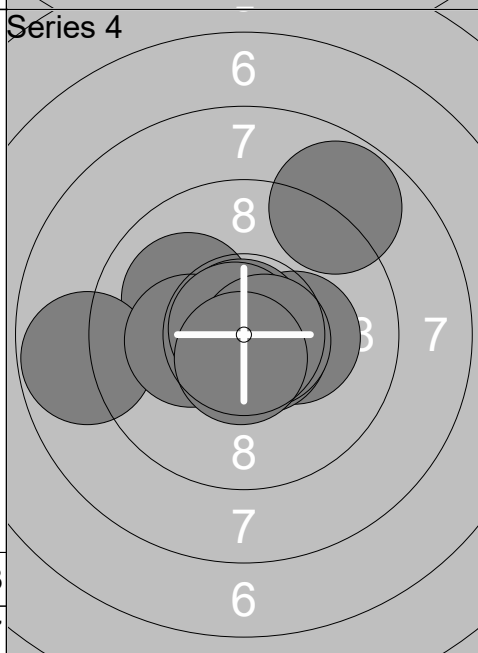
1:	9.3	→
2:	9.0	←
3:	10.2x	↑
4:	9.3	↗
5:	9.7	↗
6:	10.0	↖
7:	9.9	↓
8:	9.7	←
9:	10.2x	↙
10:	10.2x	→
Series	97.5	
	97.5	



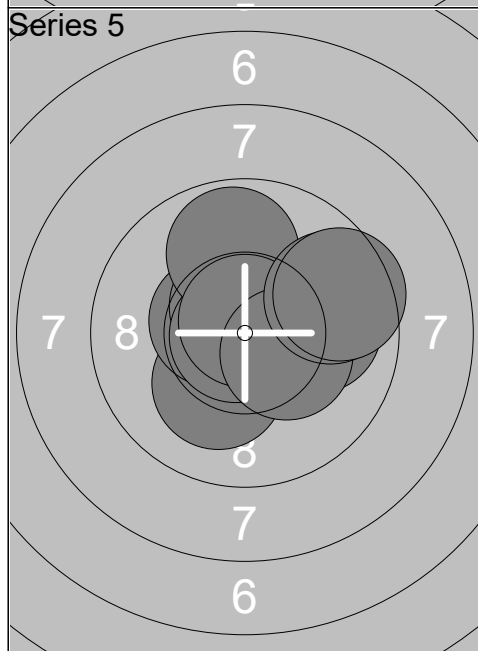
1:	9.2	↓
2:	10.1	←
3:	10.3x	↙
4:	10.7x	↙
5:	10.9x	↙
6:	9.8	↗
7:	10.3x	→
8:	10.6x	↓
9:	10.3x	→
10:	9.7	←
Series	101.9	
	199.4	



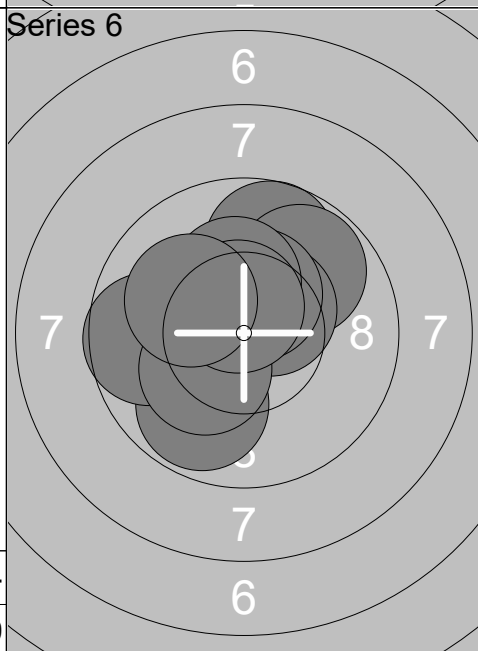
1:	10.2x	↖
2:	10.3x	→
3:	10.6x	↗
4:	10.6x	↗
5:	10.7x	↖
6:	9.5	↗
7:	9.7	→
8:	10.1	↗
9:	10.0	↖
10:	10.6x	↙
Series	102.3	
	301.7	



1:	10.3x	→
2:	10.1	↖
3:	10.8x	↗
4:	10.7x	↘
5:	8.8	↗
6:	8.8	←
7:	10.2x	↙
8:	10.8x	↖
9:	10.7x	→
10:	10.6x	↓
Series	101.8	
	403.5	

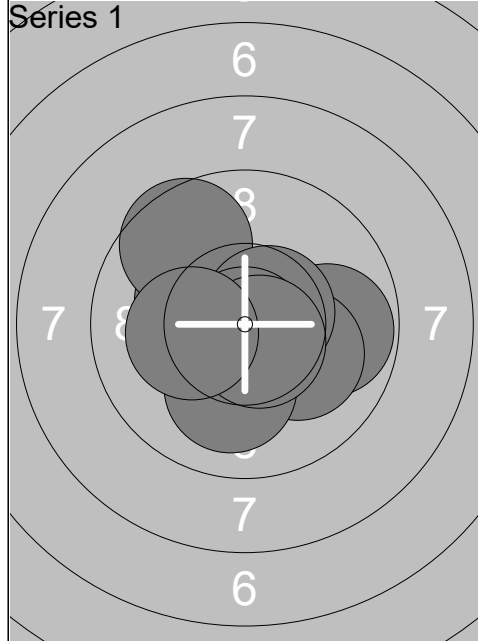


1:	10.2x	↓
2:	10.5x	↙
3:	10.6x	↗
4:	10.0	→
5:	10.8x	↙
6:	9.9	↑
7:	10.8x	↑
8:	10.3x	↘
9:	9.7	↗
10:	9.6	↗
Series	102.4	
	505.9	

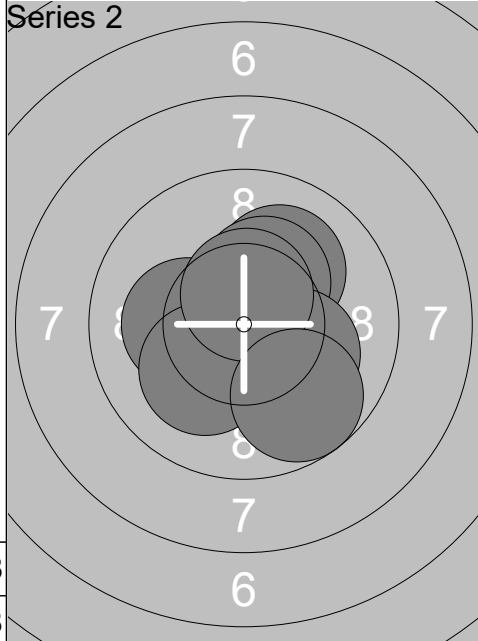


1:	9.7	↑
2:	9.8	↗
3:	10.5x	↗
4:	9.9	↓
5:	10.4x	↗
6:	9.7	←
7:	10.2x	↙
8:	10.3x	↑
9:	10.6x	↑
10:	10.1	↖
Series	101.2	
	607.1	

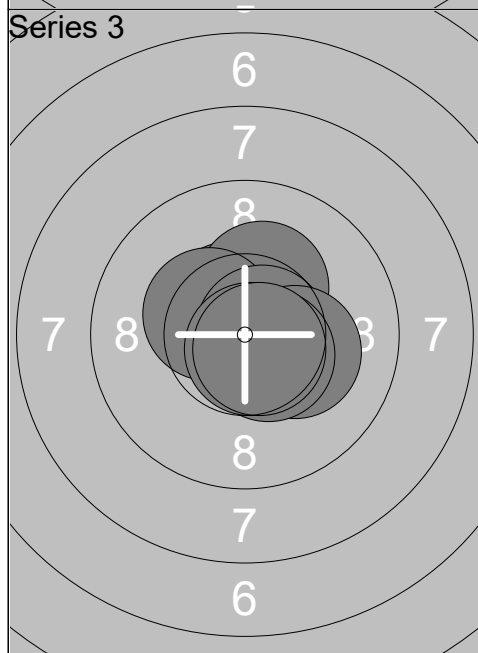
Relay	Lane	Name			
5	31	Marcus Madsen			
Qual Day 1		SWE	M	R	
11.02.2026		Denmark Open Air 2026		Denmark Open Air 2026	
Series 1		1: 10.8x ↙ 2: 10.2x ← 3: 10.2x ↙ 4: 10.8x ↑ 5: 10.3x → 6: 10.9x ↑ 7: 10.6x ↗ 8: 10.5x ↘ 9: 10.1 ↑ 10: 10.7x ↘	Series 2		1: 10.3x → 2: 10.2x → 3: 10.2x ↘ 4: 10.8x ↘ 5: 10.6x ↘ 6: 10.9x ← 7: 10.3x ← 8: 10.6x ← 9: 10.8x ← 10: 10.3x ↘
		Series 105.1		Series 105.0	
		105.1		210.1	
Series 3		1: 10.8x ← 2: 10.2x ↘ 3: 10.8x ↖ 4: 10.1 ↘ 5: 10.4x ↙ 6: 10.4x ↗ 7: 10.8x ↘ 8: 10.2x ← 9: 10.5x ← 10: 10.7x ↗	Series 4		1: 10.5x ↓ 2: 10.3x ↙ 3: 10.3x ↘ 4: 10.7x ↘ 5: 10.4x ← 6: 10.7x ↘ 7: 10.4x ↙ 8: 10.8x → 9: 10.8x ↗ 10: 10.6x →
		Series 104.9		Series 105.5	
		315.0		420.5	
Series 5		1: 10.5x ↖ 2: 10.6x ↙ 3: 10.6x ↑ 4: 10.7x ← 5: 10.6x ↑ 6: 10.7x → 7: 10.5x ↑ 8: 10.4x → 9: 10.6x ← 10: 10.7x ↑	Series 6		1: 10.6x ↗ 2: 10.1 → 3: 10.5x → 4: 10.0 ↘ 5: 10.4x ↗ 6: 10.8x ↑ 7: 10.6x ↗ 8: 10.2x → 9: 10.4x → 10: 10.9x →
		Series 105.9		Series 104.5	
		526.4		630.9	



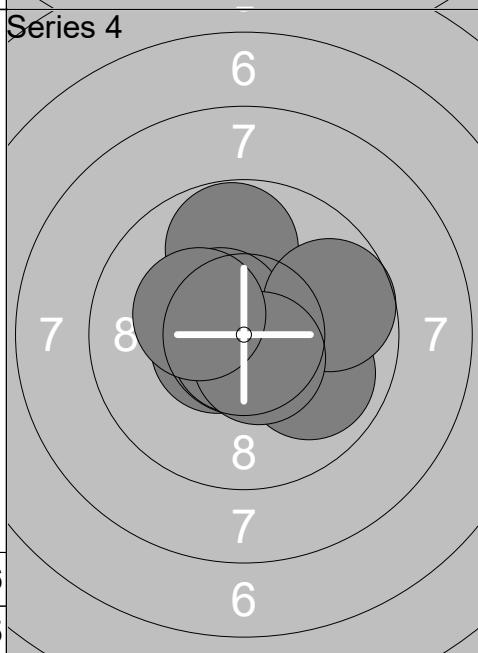
1:	10.3x ↖
2:	9.6 ↗
3:	10.7x ↓
4:	9.8 →
5:	10.1 ↘
6:	10.6x ↗
7:	10.8x ↓
8:	10.1 ↓
9:	10.6x ↘
10:	10.2x ←
Series	102.8
	102.8



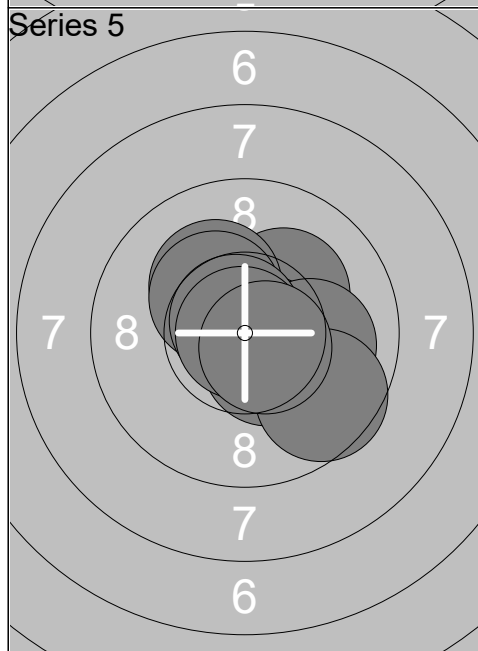
1:	10.5x ←
2:	10.7x ↑
3:	10.1 ↗
4:	10.8x ↗
5:	10.3x ↗
6:	10.2x ↘
7:	10.2x ←
8:	10.1 ↙
9:	10.5x ↑
10:	9.7 ↘
Series	103.1
	205.9



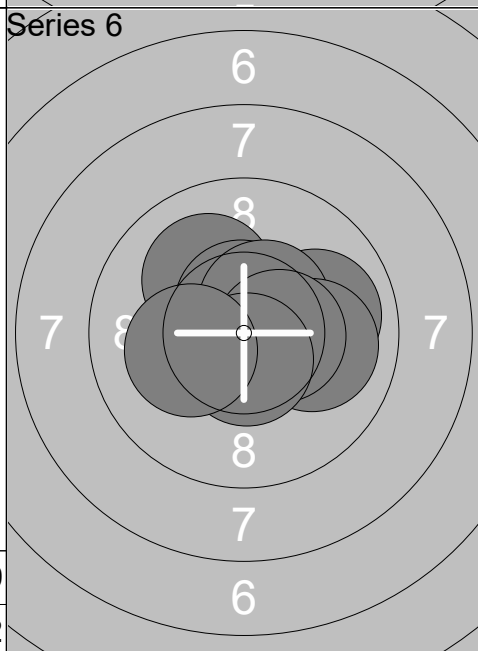
1:	10.6x ↗
2:	10.6x ↗
3:	10.8x →
4:	10.3x ↗
5:	10.4x ↖
6:	10.7x →
7:	10.2x ↘
8:	10.5x ↘
9:	10.8x ↓
10:	10.7x ↘
Series	105.6
	311.5



1:	9.8 ↑
2:	10.6x ←
3:	10.8x ←
4:	9.9 ↘
5:	10.7x ↖
6:	10.8x ↓
7:	10.6x ↖
8:	9.7 →
9:	10.6x ↓
10:	10.3x ↖
Series	103.8
	415.3



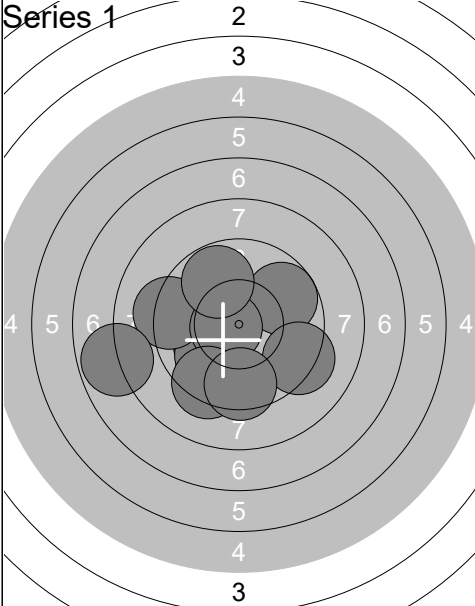
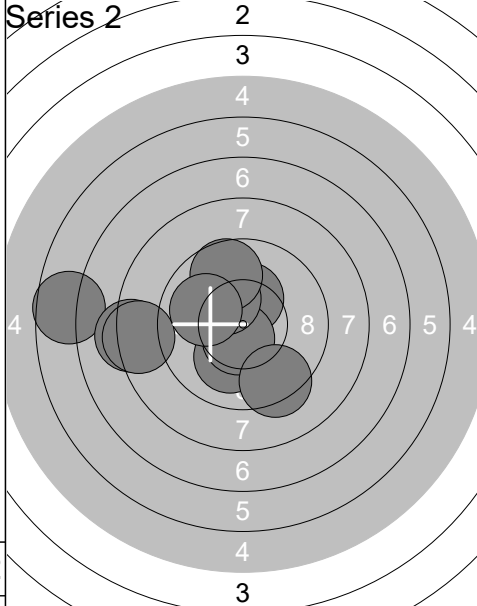
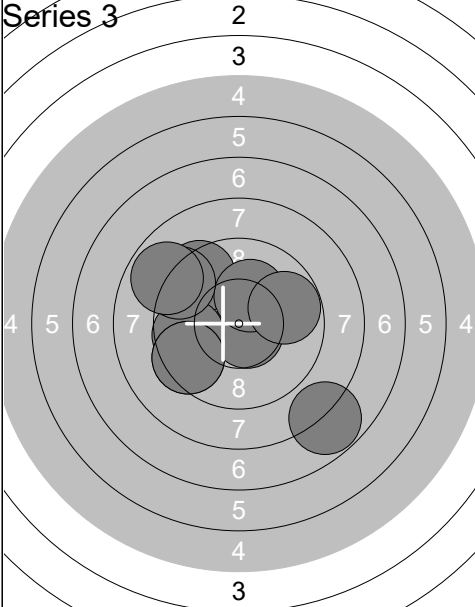
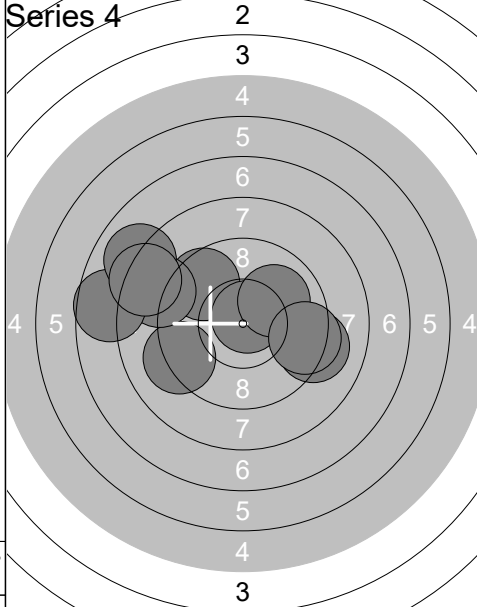
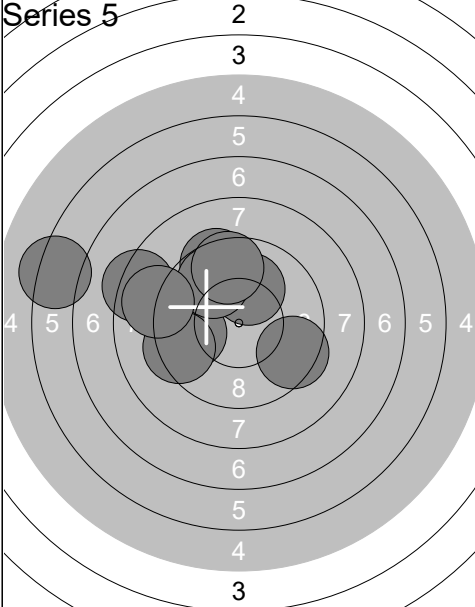
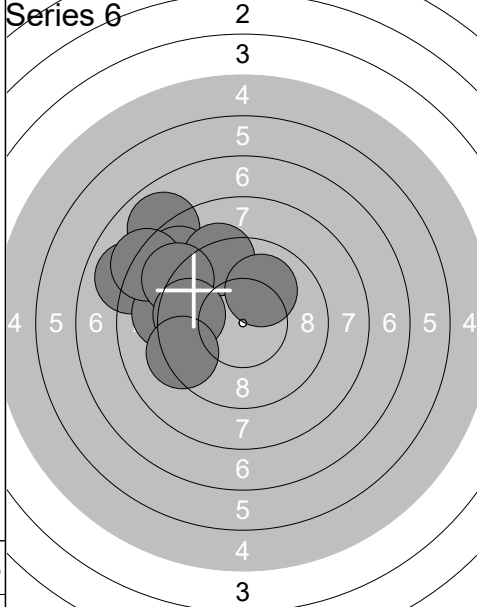
1:	10.2x ↗
2:	10.7x ↘
3:	10.2x ↗
4:	10.3x ↗
5:	10.5x ↘
6:	10.1 →
7:	9.6 ↘
8:	10.8x ↗
9:	10.9x ←
10:	10.6x ↘
Series	103.9
	519.2

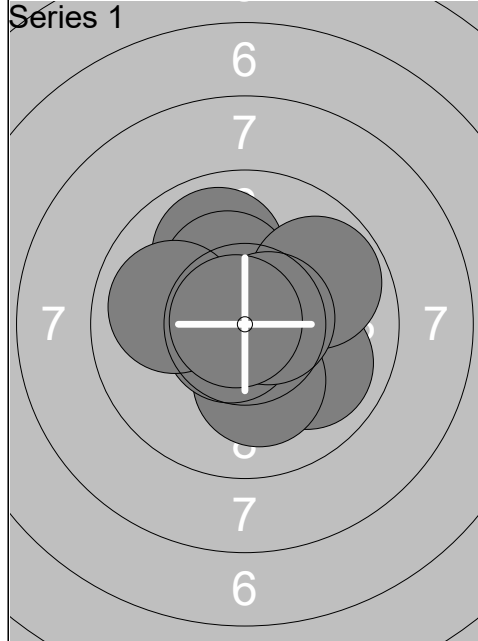


1:	10.3x →
2:	10.0 →
3:	10.8x ↘
4:	10.1 ↗
5:	10.6x ↑
6:	10.5x ↗
7:	10.0 →
8:	10.5x →
9:	10.6x ↓
10:	10.2x ←
Series	103.6
	622.8

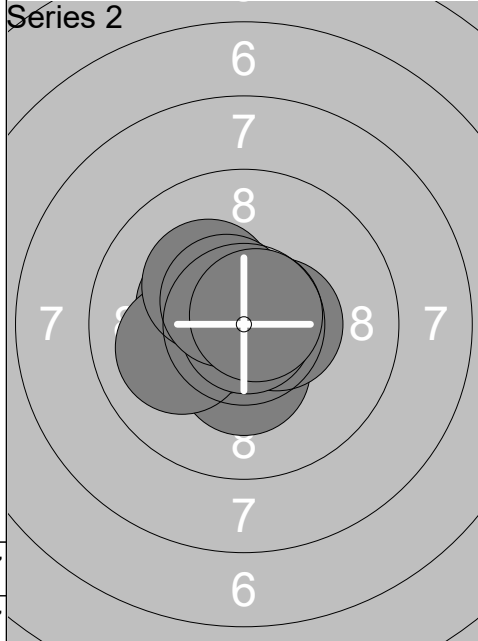
Relay	Lane	Paul Kronemann		
5	33	GER	M	R
Qual Day 1		Denmark Open Air 2026		Denmark Open Air 2026
11.02.2026				
Series 1 	1: 10.4x ↓	Series 2 	1: 10.4x ↑	
	2: 10.5x ←		2: 9.8 →	
	3: 10.4x ↓		3: 10.1 ↓	
	4: 10.6x →		4: 10.6x ←	
	5: 10.6x ↓		5: 10.6x →	
	6: 9.3 ↑		6: 10.5x ↓	
	7: 10.3x ↗		7: 10.2x →	
	8: 8.8 ↑		8: 10.3x ↓	
	9: 10.5x ↗		9: 9.6 →	
	10: 9.1 ↑		10: 10.6x ↑	
	Series 100.5		Series 102.7	
	100.5		203.2	
Series 3 	1: 9.9 ↓	Series 4 	1: 10.2x ↑	
	2: 10.4x →		2: 10.1 ↗	
	3: 10.3x ←		3: 8.8 ↖	
	4: 10.6x ↗		4: 9.9 ↑	
	5: 10.0 ↗		5: 9.3 ↑	
	6: 9.6 ←		6: 8.6 ↖	
	7: 10.6x →		7: 10.4x ↗	
	8: 10.8x ↓		8: 10.7x ↓	
	9: 10.4x ↑		9: 10.0 ↖	
	10: 10.4x ↑		10: 10.1 ↗	
	Series 103.0		Series 98.1	
	306.2		404.3	
Series 5 	1: 10.7x ←	Series 6 	1: 9.9 ←	
	2: 10.4x ↑		2: 10.6x ←	
	3: 10.4x →		3: 9.9 ↑	
	4: 10.3x ↑		4: 10.3x ↑	
	5: 9.9 ←		5: 10.3x ↗	
	6: 10.1 ↓		6: 10.2x ↖	
	7: 10.5x ↗		7: 10.3x →	
	8: 10.3x ↑		8: 10.3x ↑	
	9: 10.4x ↗		9: 10.1 ↑	
	10: 9.7 ←		10: 9.6 ↓	
	Series 102.7		Series 101.5	
	507.0		608.5	

Relay	Lane	Roni Airo		
5	34	FIN	M	R
11.02.2026	Denmark Open Air 2026	Denmark Open Air 2026		
Series 1 	1: 9.6 ↗	Series 2 	1: 10.3x ↖	
	2: 9.8 ↑		2: 10.2x ↙	
	3: 10.7x ↖		3: 10.0 ↖	
	4: 10.4x →		4: 9.7 →	
	5: 10.5x ↑		5: 10.3x ↑	
	6: 10.4x ↙		6: 9.8 ↗	
	7: 10.5x →		7: 10.6x ↗	
	8: 10.7x ↓		8: 9.8 ↖	
	9: 9.7 ←		9: 10.6x ↙	
	10: 9.9 ↗		10: 10.1 ↖	
	Series 102.2		Series 101.4	
	102.2		203.6	
Series 3 	1: 10.4x ↖	Series 4 	1: 10.5x ↖	
	2: 10.8x ↖		2: 10.8x ↙	
	3: 10.3x ↓		3: 10.5x ↙	
	4: 10.4x ↗		4: 10.4x ↙	
	5: 10.6x ↙		5: 9.4 ↑	
	6: 10.7x ↑		6: 10.6x ↙	
	7: 9.9 ↗		7: 10.5x →	
	8: 10.9x ↓		8: 10.2x ↖	
	9: 10.3x ↑		9: 10.4x →	
	10: 10.1 ↓		10: 10.3x ↖	
	Series 104.4		Series 103.6	
	308.0		411.6	
Series 5 	1: 10.0 ←	Series 6 	1: 10.3x ↑	
	2: 10.2x ↖		2: 10.7x ↑	
	3: 10.0 ↖		3: 10.6x ↓	
	4: 10.6x ↑		4: 10.4x ↗	
	5: 10.1 ←		5: 10.4x ↗	
	6: 10.4x ↗		6: 10.9x ↓	
	7: 10.2x ↙		7: 10.1 ↗	
	8: 10.7x ↓		8: 10.9x ↙	
	9: 10.7x ↓		9: 10.4x ↑	
	10: 10.2x ↑		10: 9.8 →	
	Series 103.1		Series 104.5	
	514.7		619.2	

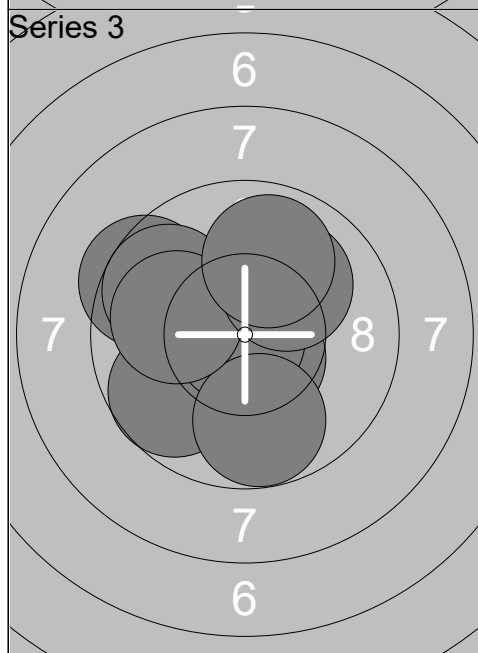
Relay	Lane	Ross Donaldson			
5	35	GBR		M	R
11.02.2026		Denmark Open Air 2026		Denmark Open Air 2026	
Series 1		1: 10.1 ↙	Series 2		1: 6.7 ←
		2: 9.7 ↗			2: 10.1 ↓
		3: 9.9 ↙			3: 10.3x ↑
		4: 9.2 ←			4: 10.6x ↓
		5: 9.3 ↘			5: 8.2 ←
		6: 7.8 ←			6: 8.4 ←
		7: 10.6x ←			7: 9.4 ↓
		8: 9.8 ↗			8: 10.2x ↗
		9: 9.3 ↓			9: 9.7 ↑
		10: 9.5 ↓			10: 9.9 ←
		Series 95.2			Series 93.5
		95.2			188.7
Series 3		1: 10.7x ↘	Series 4		1: 9.2 →
		2: 9.5 ↗			2: 9.2 ←
		3: 10.2x ↑			3: 9.6 ↗
		4: 9.7 ←			4: 10.8x ↗
		5: 9.5 ←			5: 8.8 ←
		6: 9.2 ↗			6: 10.0 ↗
		7: 8.8 ↗			7: 9.4 →
		8: 9.5 ←			8: 7.7 ←
		9: 9.8 →			9: 8.0 ↗
		10: 7.8 ↓			10: 8.3 ←
		Series 94.7			Series 91.0
		283.4			374.4
Series 5		1: 9.4 ↗	Series 6		1: 7.9 ↗
		2: 10.1 ↑			2: 8.0 ←
		3: 8.3 ←			3: 8.8 ↗
		4: 9.7 ←			4: 9.3 ↑
		5: 9.7 ↗			5: 9.1 ←
		6: 9.4 ←			6: 8.2 ↗
		7: 6.3 ←			7: 9.0 ↗
		8: 8.9 ←			8: 9.6 ←
		9: 9.4 ↘			9: 9.3 ←
		10: 9.6 ↑			10: 10.0 ↗
		Series 90.8			Series 89.2
		465.2			554.4



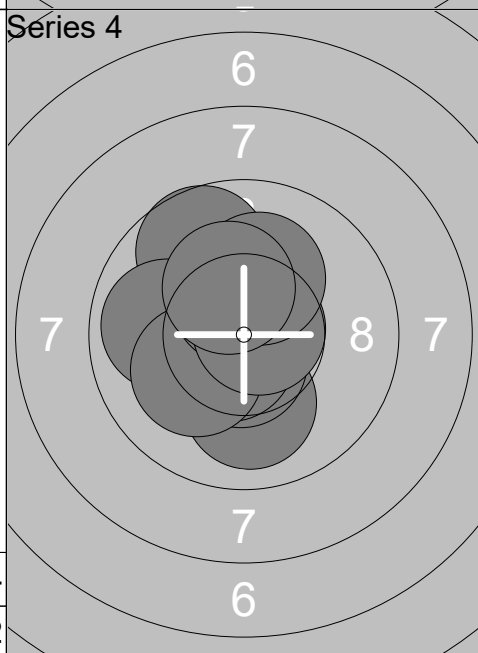
1:	10.4x ↖
2:	10.0 →
3:	9.9 ↑
4:	10.3x ↑
5:	10.2x ↓
6:	9.9 ↗
7:	10.7x ↙
8:	9.9 ←
9:	10.6x →
10:	10.8x ↙
Series	102.7
	102.7



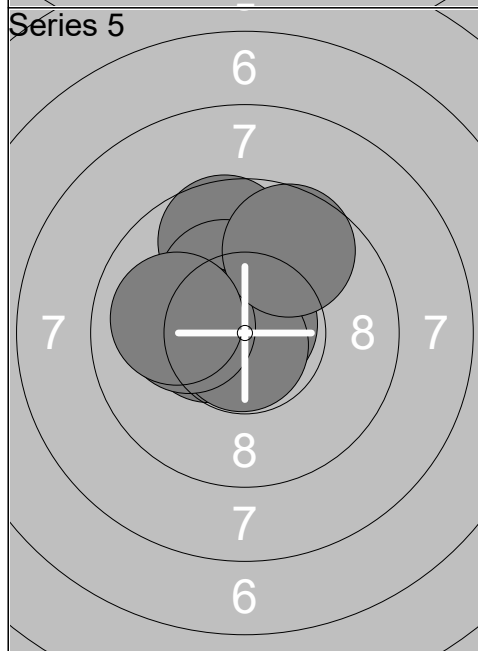
1:	10.3x ↙
2:	10.3x ↓
3:	10.6x ↙
4:	10.5x →
5:	10.9x →
6:	10.0 ←
7:	10.9x ↘
8:	10.3x ↖
9:	10.5x ↖
10:	10.8x ↗
Series	105.1
	207.8



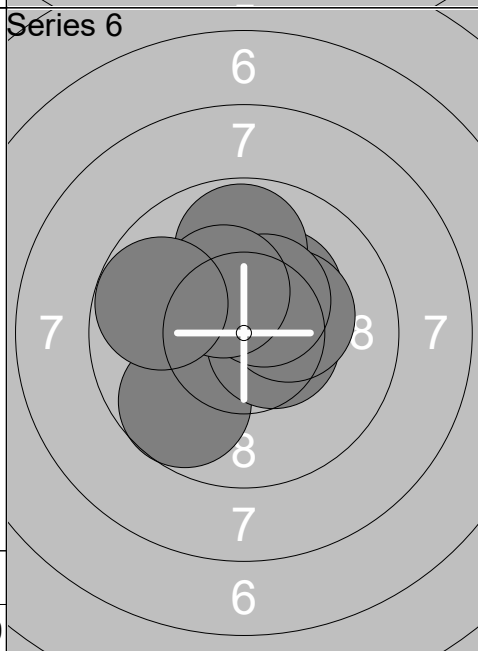
1:	10.2x ↙
2:	10.6x ↓
3:	9.7 ↙
4:	9.4 ↙
5:	10.9x ↙
6:	9.8 ↓
7:	9.8 ↙
8:	10.0 ←
9:	10.1 ↗
10:	9.9 ↑
Series	100.4
	308.2



1:	9.7 ↖
2:	10.0 ↓
3:	10.6x ↓
4:	10.6x ↙
5:	9.9 ←
6:	10.2x ↙
7:	10.4x ↑
8:	10.7x →
9:	10.2x ↑
10:	10.3x ↑
Series	102.6
	410.8



1:	9.7 ↑
2:	10.6x ↖
3:	10.8x ↗
4:	10.2x ↑
5:	10.6x ↙
6:	10.5x ↙
7:	10.8x ↓
8:	10.2x ↙
9:	9.7 ↑
10:	10.0 ←
Series	103.1
	513.9



1:	10.3x ↗
2:	10.5x ↗
3:	10.3x ↗
4:	9.7 ↙
5:	10.5x →
6:	10.3x →
7:	9.8 ↑
8:	10.4x ↗
9:	10.3x ↖
10:	9.8 ←
Series	101.9
	615.8

Relay	Lane	Victor Lindgren		
5	37	SWE	M	R
Qual Day 1		Denmark Open Air 2026		Denmark Open Air 2026
11.02.2026				
Series 1 	1: 10.7x ←	Series 2 	1: 10.8x ↗	
	2: 10.3x ↗		2: 10.3x →	
	3: 10.9x ↗		3: 10.5x ←	
	4: 10.4x ↗		4: 10.7x ↖	
	5: 10.7x ↘		5: 10.9x ⇒	
	6: 10.5x ↗		6: 10.4x ↗	
	7: 10.8x ↘		7: 10.4x ↗	
	8: 10.7x ↗		8: 10.6x ↘	
	9: 10.3x ↖		9: 10.6x ↘	
	10: 10.3x ↘		10: 10.4x ↘	
	Series 105.6	Series 105.6	Series 105.6	
	105.6		211.2	
Series 3 	1: 10.4x ↖	Series 4 	1: 10.2x ↗	
	2: 10.5x ↘		2: 10.5x →	
	3: 10.4x ↘		3: 10.7x ←	
	4: 10.2x →		4: 10.6x ↗	
	5: 10.4x ↘		5: 10.2x ↘	
	6: 10.5x ↗		6: 10.5x ←	
	7: 10.7x ↗		7: 10.7x ←	
	8: 10.6x ↖		8: 10.6x ↖	
	9: 10.5x ←		9: 10.4x ↘	
	10: 10.7x ↗		10: 10.4x ↘	
	Series 104.9	Series 104.8	Series 104.8	
	316.1		420.9	
Series 5 	1: 10.2x ↘	Series 6 	1: 10.5x ↖	
	2: 10.7x ←		2: 10.4x ↘	
	3: 10.7x ↗		3: 10.5x ↖	
	4: 10.7x ↘		4: 10.8x →	
	5: 10.5x ↖		5: 10.5x ↗	
	6: 10.7x ↖		6: 10.7x ↖	
	7: 10.6x ↖		7: 10.6x ←	
	8: 10.6x ↖		8: 10.3x ↗	
	9: 10.5x ←		9: 10.7x ↗	
	10: 10.8x ↘		10: 10.6x ↗	
	Series 106.0	Series 105.6	Series 105.6	
	526.9		632.5	