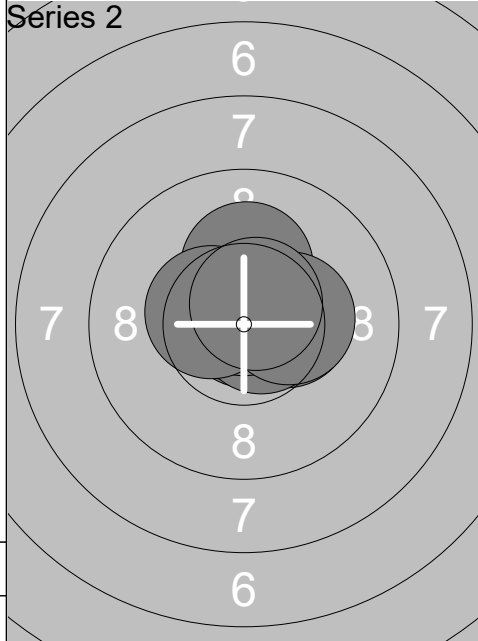
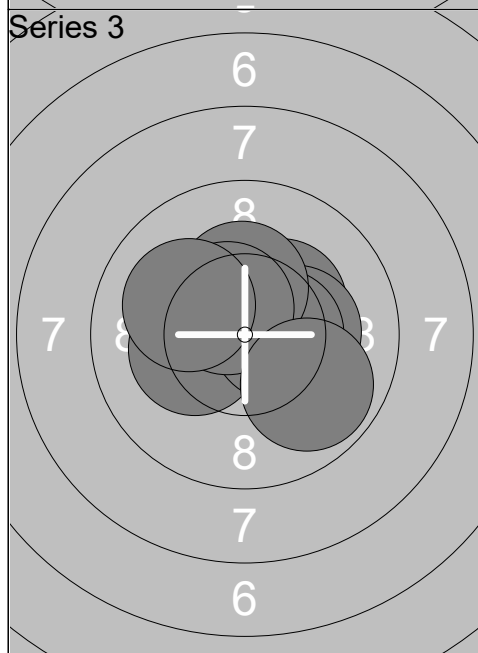


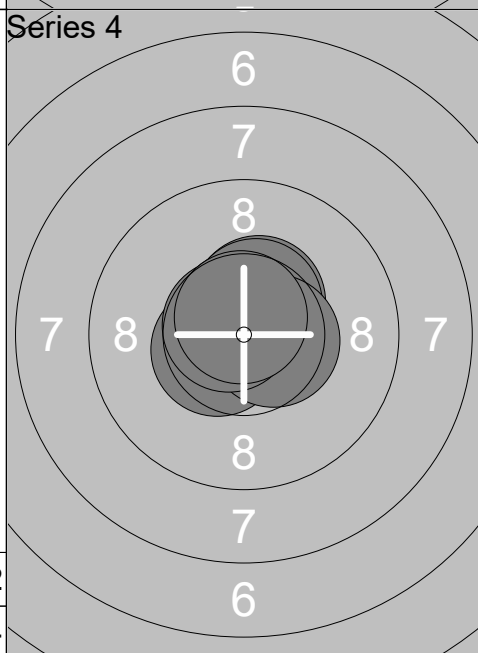
1:	10.5x ↙
2:	10.7x ↗
3:	10.8x ↓
4:	10.5x ↑
5:	10.4x ↗
6:	10.6x ↑
7:	10.3x ↑
8:	10.2x ↙
9:	10.1 →
10:	10.0 ↑
Series	104.1
	104.1



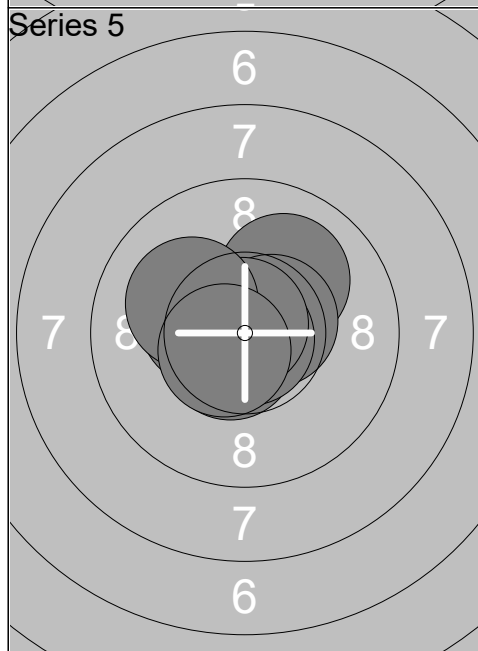
1:	10.4x →
2:	10.8x ↗
3:	10.9x ↗
4:	10.8x ↗
5:	10.2x ↑
6:	10.7x →
7:	10.8x ↑
8:	10.5x ↙
9:	10.4x →
10:	10.6x ↗
Series	106.1
	210.2



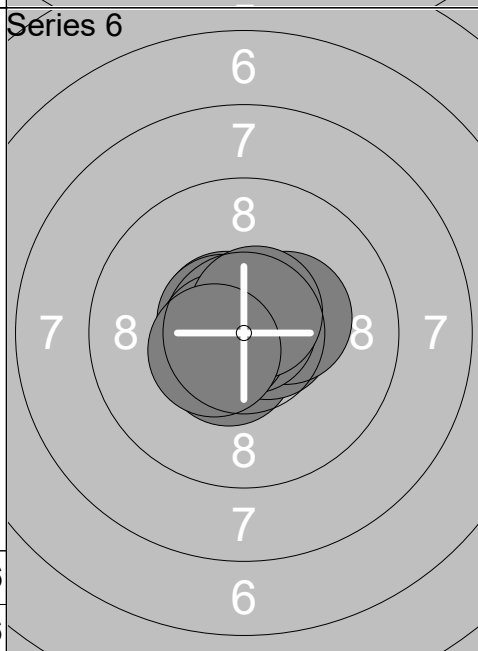
1:	10.6x ↗
2:	10.3x ↗
3:	10.5x →
4:	10.2x ↙
5:	10.3x →
6:	10.5x →
7:	10.3x ↑
8:	10.5x ↗
9:	10.1 ↙
10:	9.9 ↓
Series	103.2
	313.4



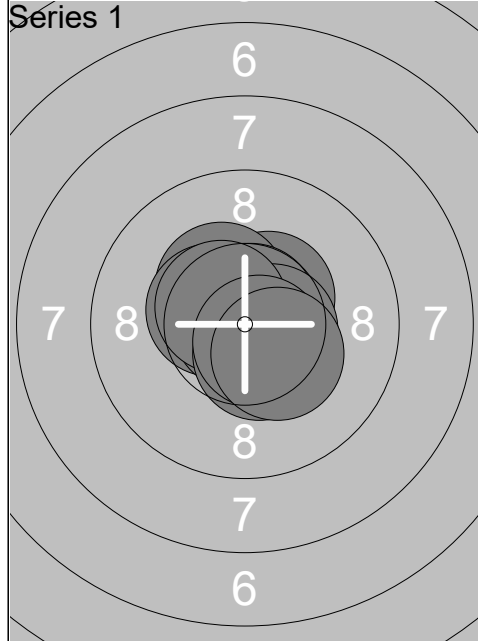
1:	10.8x ↙
2:	10.5x ↗
3:	10.7x ↙
4:	10.8x ↙
5:	10.7x ↑
6:	10.6x ↙
7:	10.5x ↗
8:	10.6x →
9:	10.7x ↙
10:	10.7x ↑
Series	106.6
	420.0



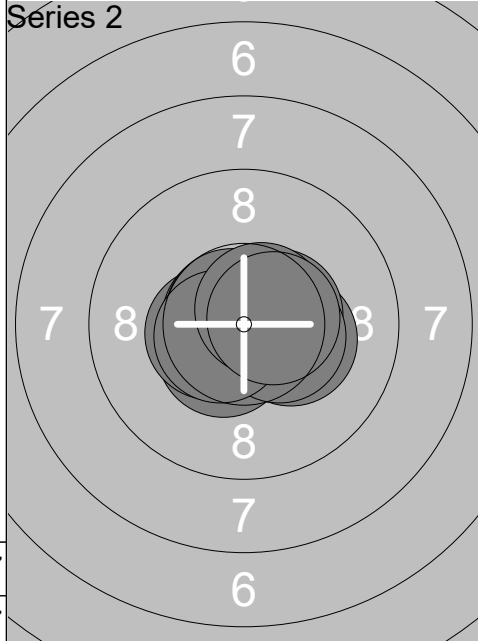
1:	10.4x ↙
2:	10.6x ↓
3:	10.8x ↙
4:	10.8x ↑
5:	10.0 ↗
6:	10.6x →
7:	10.9x ↓
8:	10.8x ↑
9:	10.1 ↙
10:	10.6x ↙
Series	105.6
	525.6



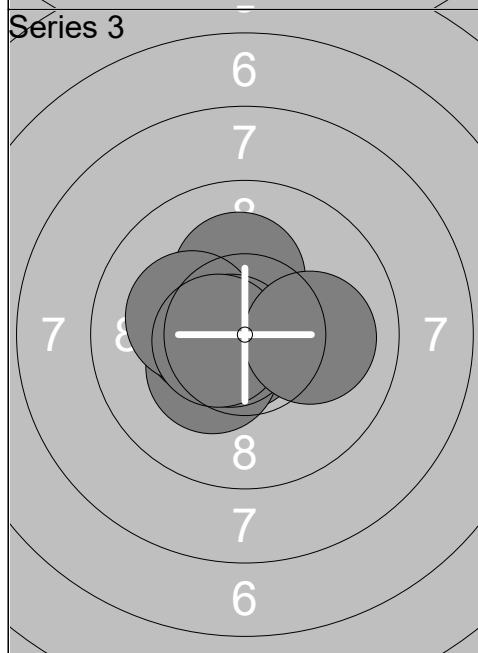
1:	10.6x ↙
2:	10.6x ↓
3:	10.8x ↙
4:	10.6x →
5:	10.4x →
6:	10.9x ↗
7:	10.6x ↙
8:	10.7x ↙
9:	10.6x ↗
10:	10.5x ↙
Series	106.3
	631.9



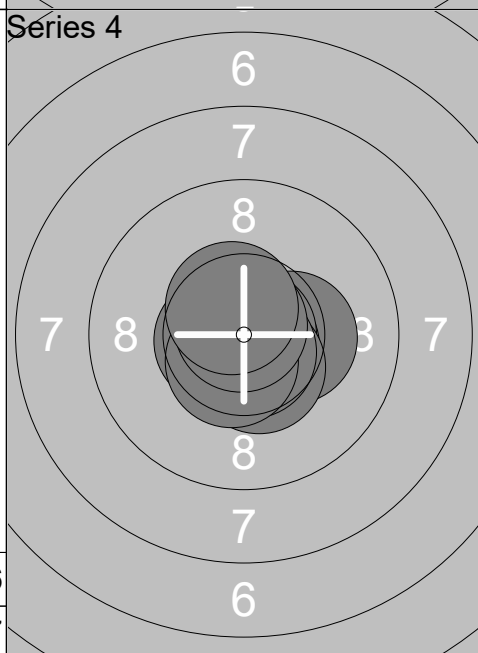
1:	10.5x ↗
2:	10.4x ↖
3:	10.5x ↖
4:	10.8x ↗
5:	10.9x ←
6:	10.6x →
7:	10.5x ↖
8:	10.5x ↓
9:	10.6x ↓
10:	10.4x ↓
Series	105.7
	105.7



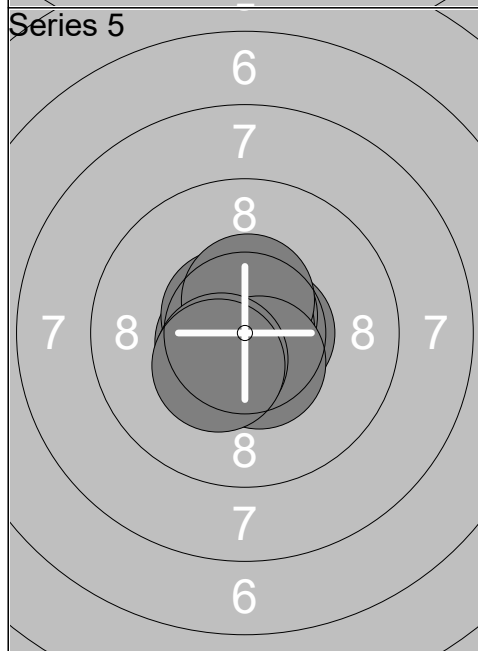
1:	10.3x →
2:	10.5x ↓
3:	10.5x →
4:	10.5x ←
5:	10.7x ↖
6:	10.4x →
7:	10.8x ↖
8:	10.6x ←
9:	10.6x ↗
10:	10.5x →
Series	105.4
	211.1



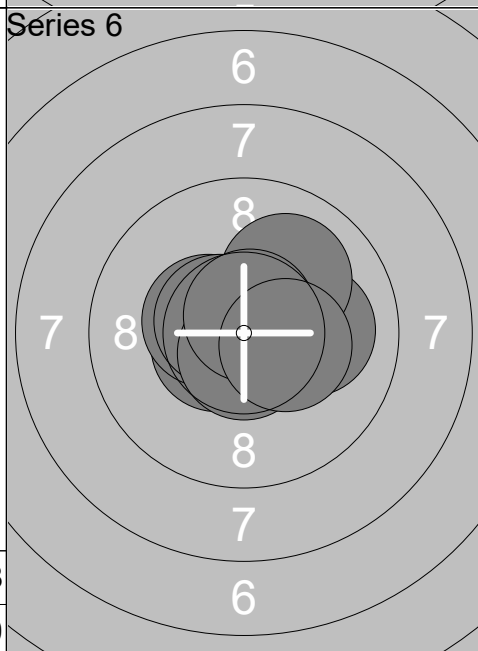
1:	10.8x ↓
2:	10.3x ↓
3:	10.6x ↑
4:	10.5x ←
5:	10.6x ↖
6:	10.2x ↑
7:	10.2x ↖
8:	10.7x ←
9:	10.6x ←
10:	10.1 →
Series	104.6
	315.7



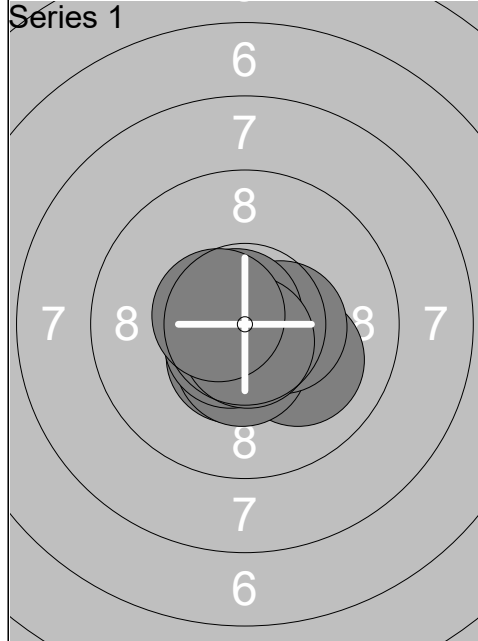
1:	10.7x ↓
2:	10.6x ←
3:	10.3x →
4:	10.8x ↓
5:	10.9x →
6:	10.5x ↓
7:	10.7x ↓
8:	10.6x ↓
9:	10.8x ↑
10:	10.6x ↖
Series	106.5
	422.2



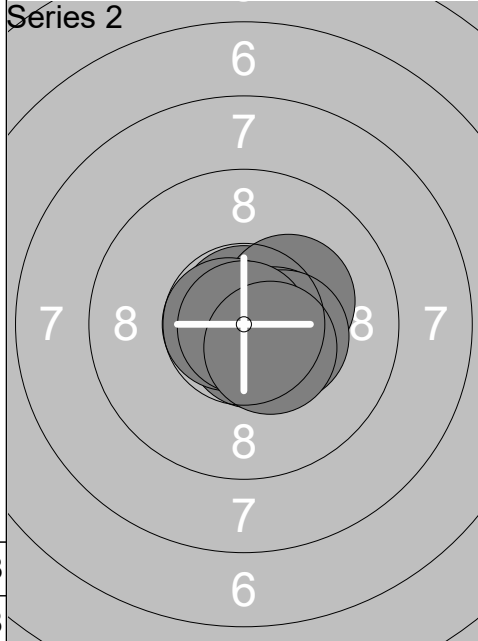
1:	10.6x ←
2:	10.5x ↓
3:	10.6x →
4:	10.6x ↖
5:	10.7x ↑
6:	10.9x ↗
7:	10.5x ↑
8:	10.5x ↓
9:	10.5x ↓
10:	10.4x ↓
Series	105.8
	528.0



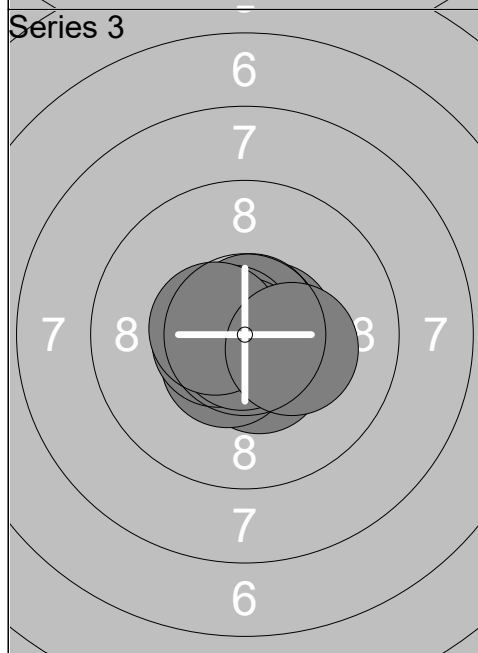
1:	10.6x ←
2:	10.4x ←
3:	10.5x →
4:	10.8x ↓
5:	10.6x ↖
6:	10.1 →
7:	10.0 ↗
8:	10.7x ↓
9:	10.7x ↑
10:	10.4x →
Series	104.8
	632.8



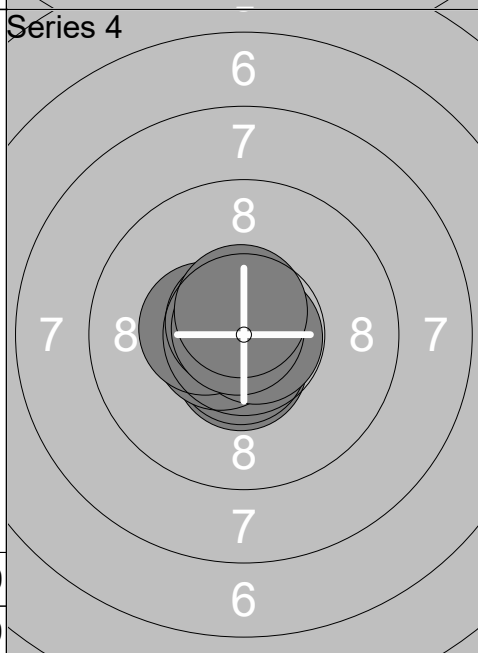
1:	10.9x →
2:	10.6x ↓
3:	10.1 ↘
4:	10.5x ↓
5:	10.5x ↓
6:	10.5x →
7:	10.6x ↓
8:	10.8x ↗
9:	10.7x ↓
10:	10.6x ←
Series	105.8
	105.8



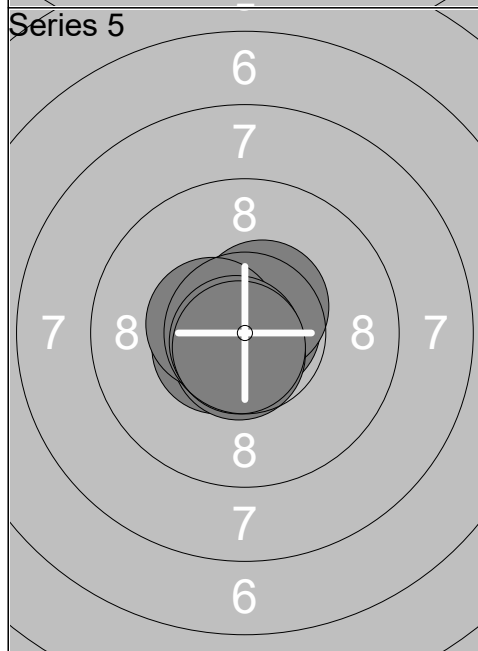
1:	10.8x ↘
2:	10.7x ↓
3:	10.5x →
4:	10.8x ↑
5:	10.3x ↗
6:	10.5x →
7:	10.7x ←
8:	10.4x →
9:	10.9x ↓
10:	10.5x ↘
Series	106.1
	211.9



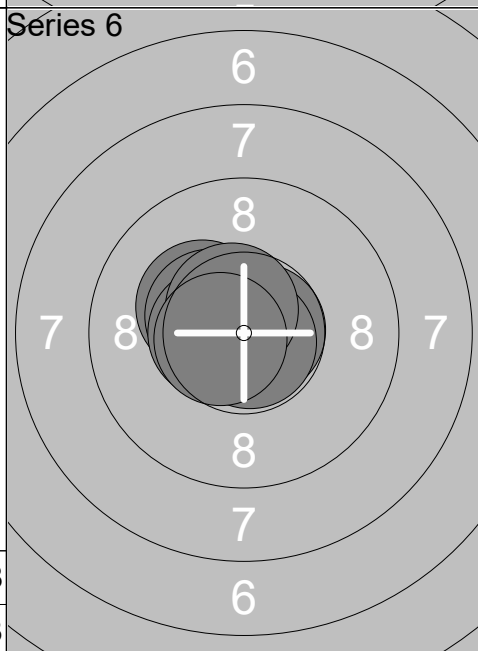
1:	10.6x →
2:	10.5x ↓
3:	10.7x ↑
4:	10.7x ←
5:	10.7x ←
6:	10.5x ↓
7:	10.6x ←
8:	10.8x ↓
9:	10.6x ←
10:	10.3x →
Series	106.0
	317.9



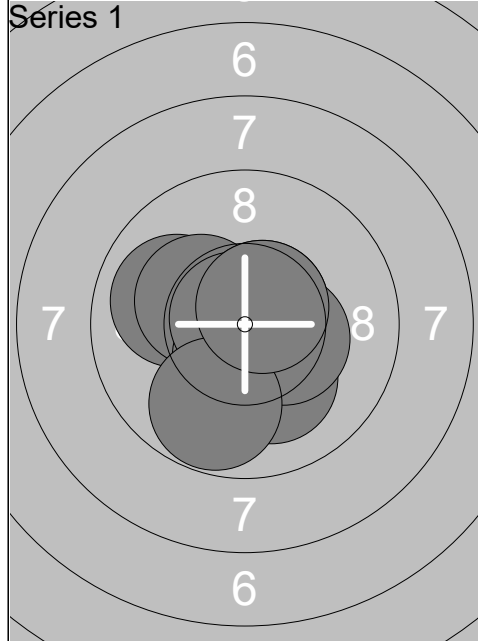
1:	10.8x ↘
2:	10.7x ↘
3:	10.6x ↓
4:	10.6x ↓
5:	10.6x ←
6:	10.8x →
7:	10.4x ←
8:	10.7x ↗
9:	10.8x ↗
10:	10.6x ↑
Series	106.6
	424.5



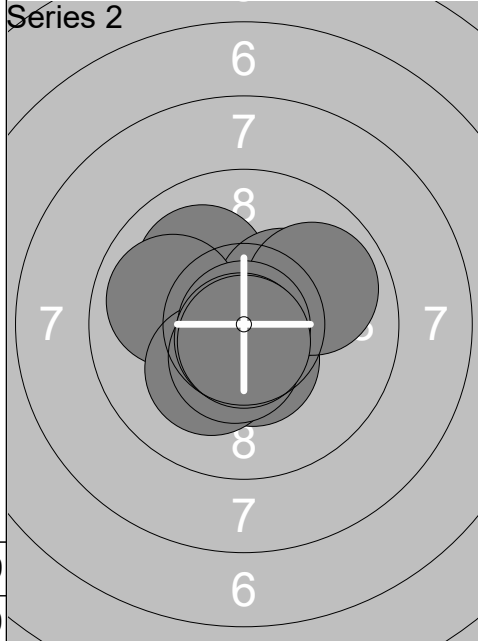
1:	10.8x ↗
2:	10.5x ↘
3:	10.7x ←
4:	10.6x ←
5:	10.9x ←
6:	10.5x ↗
7:	10.7x ↓
8:	10.5x ←
9:	10.8x ↘
10:	10.8x ↓
Series	106.8
	531.3



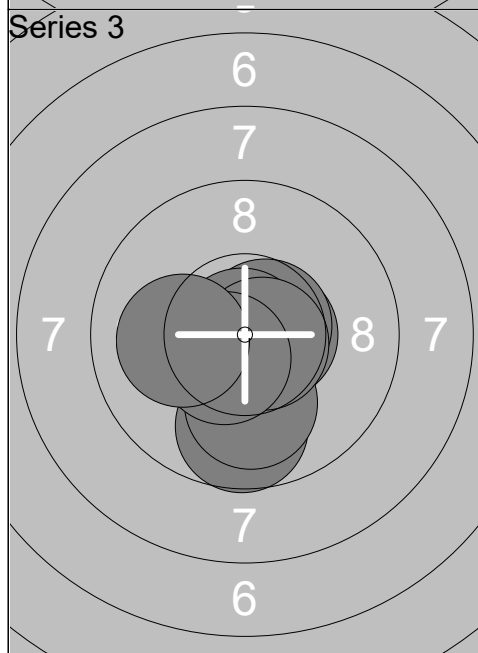
1:	10.8x ↗
2:	10.9x
3:	10.3x ↘
4:	10.7x ↗
5:	10.7x →
6:	10.4x ↘
7:	10.5x ←
8:	10.8x ↓
9:	10.6x ↗
10:	10.6x ←
Series	106.3
	637.6



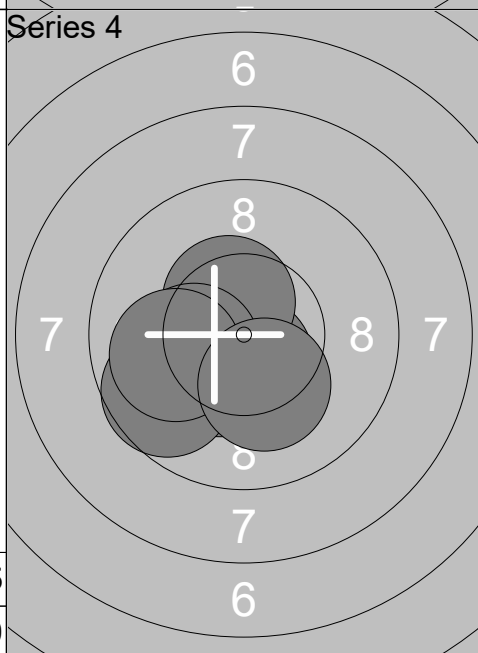
1:	10.0	↙
2:	10.3x	↙
3:	10.6x	↗
4:	10.8x	→
5:	10.5x	↓
6:	10.8x	↙
7:	10.1	↓
8:	10.4x	→
9:	9.8	↓
10:	10.6x	↗
Series	103.9	
	103.9	



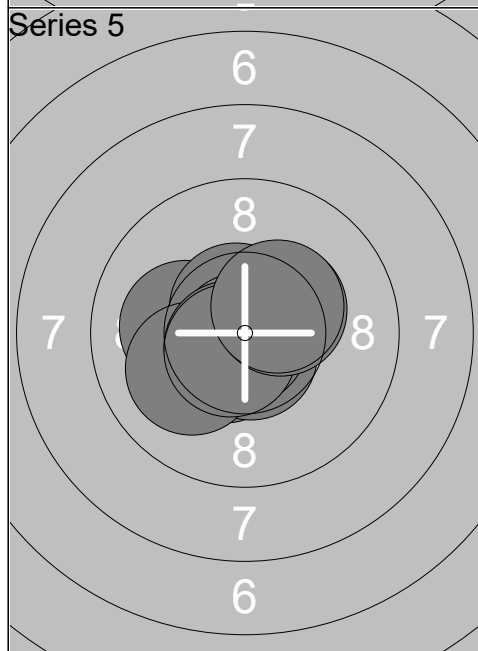
1:	10.5x	↓
2:	10.0	↖
3:	10.3x	↗
4:	9.9	↙
5:	9.9	↗
6:	10.2x	↙
7:	10.5x	↓
8:	10.9x	↓
9:	10.7x	↓
10:	10.7x	↓
Series	103.6	
	207.5	



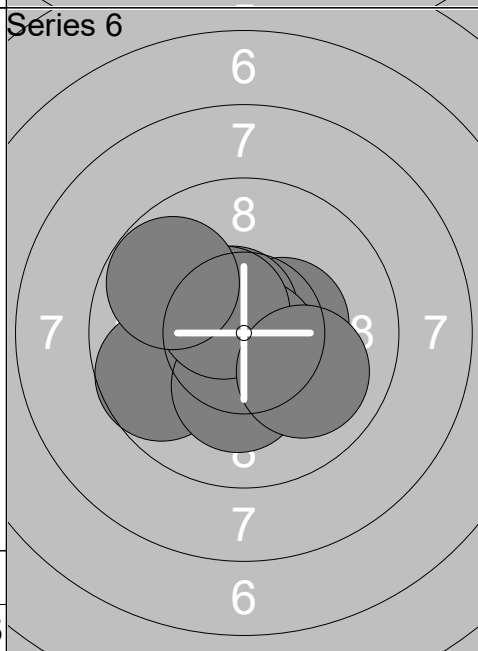
1:	10.6x	→
2:	10.7x	→
3:	10.6x	↙
4:	10.9x	↙
5:	10.7x	↓
6:	9.7	↓
7:	10.0	↓
8:	10.7x	→
9:	10.5x	↙
10:	10.1	↙
Series	104.5	
	312.0	



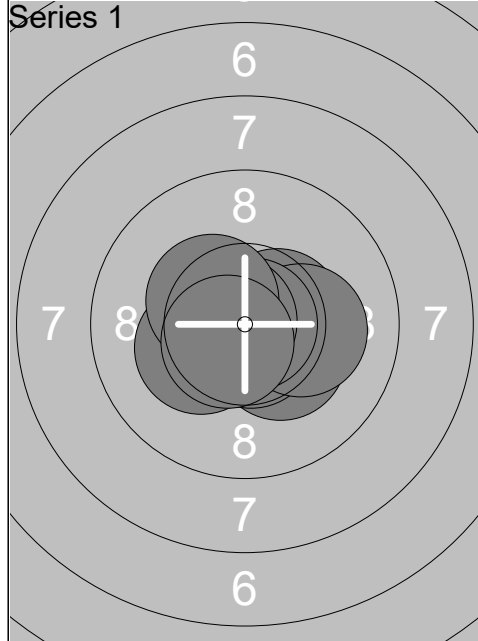
1:	9.9	↙
2:	10.6x	↓
3:	10.4x	↙
4:	10.4x	↙
5:	10.5x	↓
6:	10.5x	↖
7:	10.3x	↙
8:	9.6	↙
9:	10.0	↙
10:	10.2x	↓
Series	102.4	
	414.4	



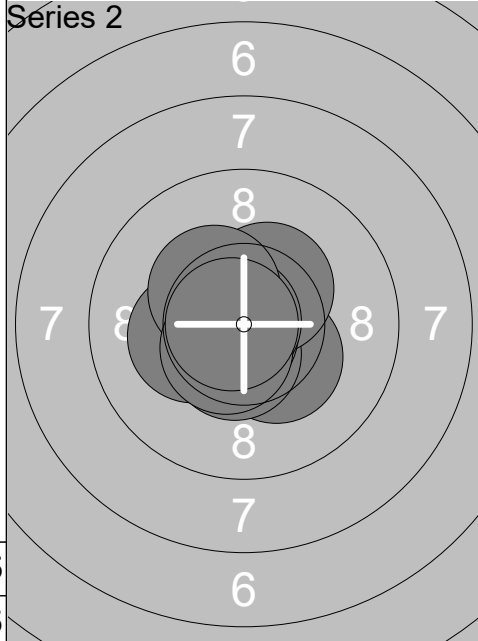
1:	10.2x	↙
2:	10.6x	↖
3:	10.5x	↙
4:	10.7x	↓
5:	10.9x	↓
6:	10.1	↙
7:	10.7x	↙
8:	10.6x	↙
9:	10.4x	↗
10:	10.4x	↗
Series	105.1	
	519.5	



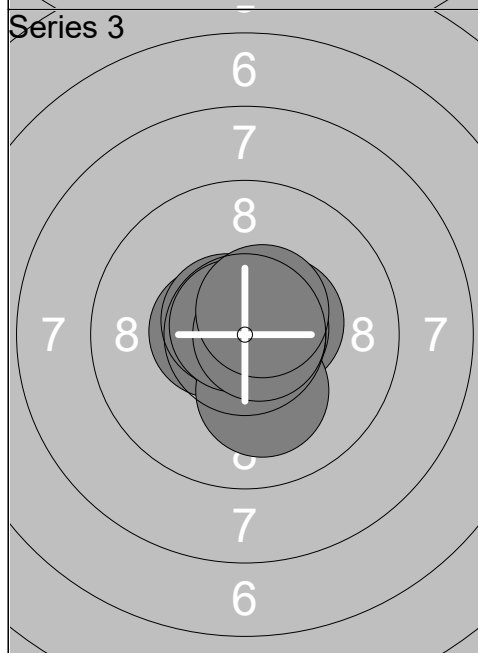
1:	10.4x	→
2:	10.9x	↙
3:	10.6x	↖
4:	9.7	↙
5:	10.4x	↘
6:	10.8x	↘
7:	10.2x	↓
8:	10.6x	↖
9:	9.8	↖
10:	10.0	↘
Series	103.4	
	622.9	



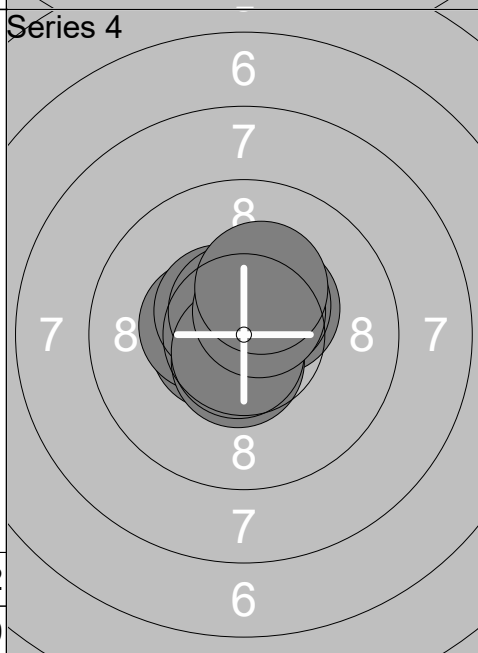
1:	10.5x →
2:	10.3x ↘
3:	10.8x →
4:	10.7x ↓
5:	10.2x →
6:	10.9x →
7:	10.8x ←
8:	10.3x ←
9:	10.4x ↖
10:	10.6x ↙
Series	105.5
	105.5



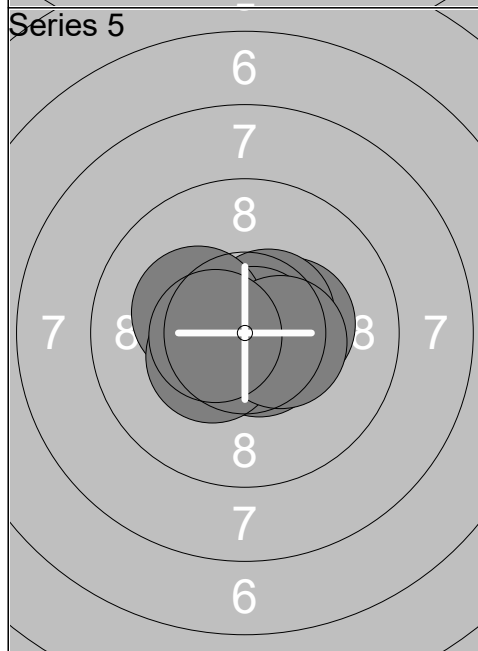
1:	10.3x ↘
2:	10.5x ↓
3:	10.2x ←
4:	10.6x ↑
5:	10.4x ↗
6:	10.8x ↙
7:	10.8x ←
8:	10.3x ↖
9:	10.5x ↙
10:	10.8x ←
Series	105.2
	210.7



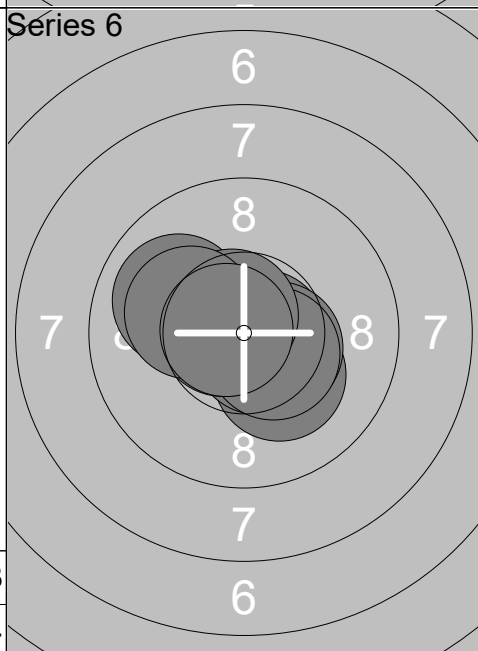
1:	10.5x ←
2:	10.8x ↖
3:	10.5x →
4:	10.2x ↓
5:	10.6x ↖
6:	10.7x →
7:	10.7x ↑
8:	10.8x ↖
9:	10.8x →
10:	10.6x ↗
Series	106.2
	316.9



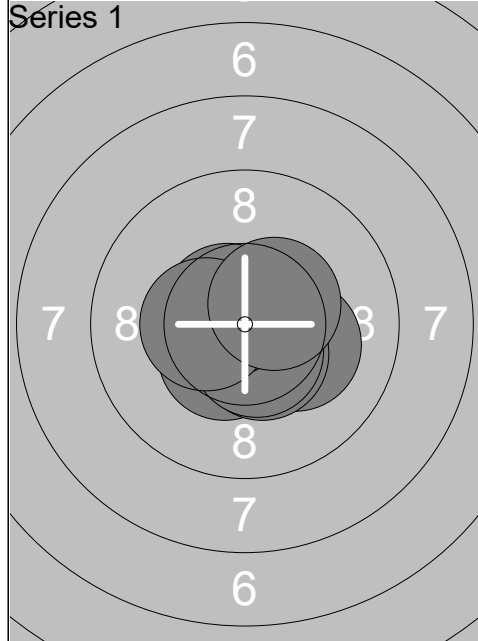
1:	10.4x ↗
2:	10.6x ←
3:	10.4x ←
4:	10.5x ↖
5:	10.6x ↑
6:	10.6x ↓
7:	10.7x ↓
8:	10.5x ↗
9:	10.6x ↗
10:	10.3x ↑
Series	105.2
	422.1



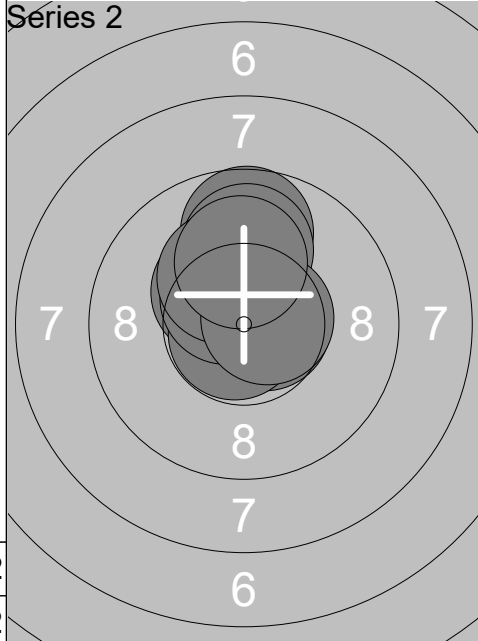
1:	10.8x →
2:	10.3x →
3:	10.6x ↘
4:	10.5x ↗
5:	10.5x ←
6:	10.8x →
7:	10.3x ←
8:	10.4x ←
9:	10.5x →
10:	10.6x ←
Series	105.3
	527.4



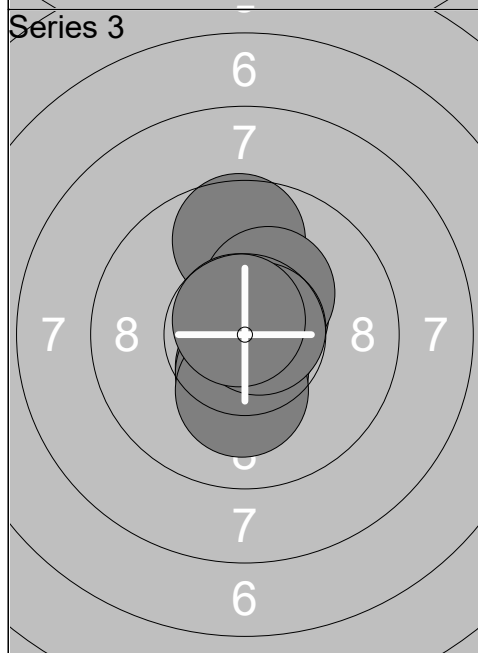
1:	10.7x →
2:	10.2x ↘
3:	10.5x →
4:	10.7x ↘
5:	10.0 ←
6:	10.5x ↘
7:	10.7x ↗
8:	10.7x ←
9:	10.2x ←
10:	10.7x ←
Series	104.9
	632.3



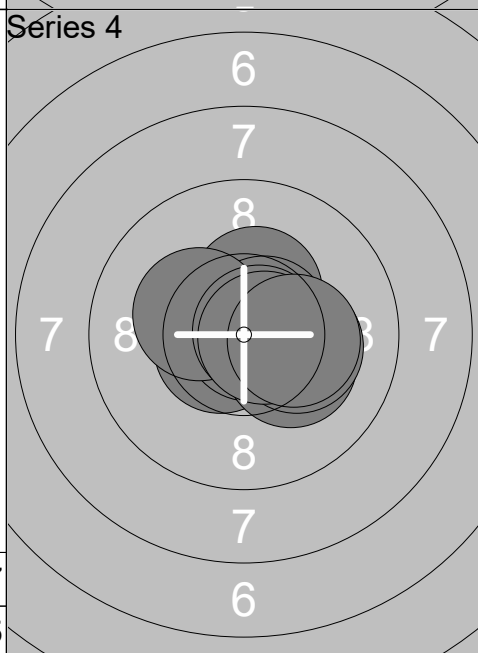
1:	10.6x	➤
2:	10.2x	➤
3:	10.7x	➔
4:	10.7x	⬇
5:	10.4x	⬇
6:	10.5x	⬇
7:	10.6x	⬇
8:	10.6x	↖
9:	10.4x	←
10:	10.5x	↗
Series	105.2	
	105.2	



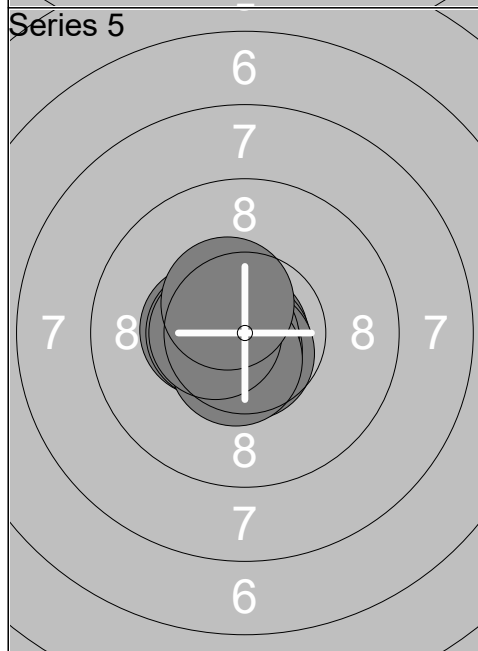
1:	9.7	↑
2:	10.7x	↗
3:	9.9	↑
4:	10.4x	↖
5:	10.7x	➔
6:	10.8x	↙
7:	10.5x	↖
8:	10.2x	↖
9:	10.6x	➔
10:	10.1	↑
Series	103.6	
	208.8	



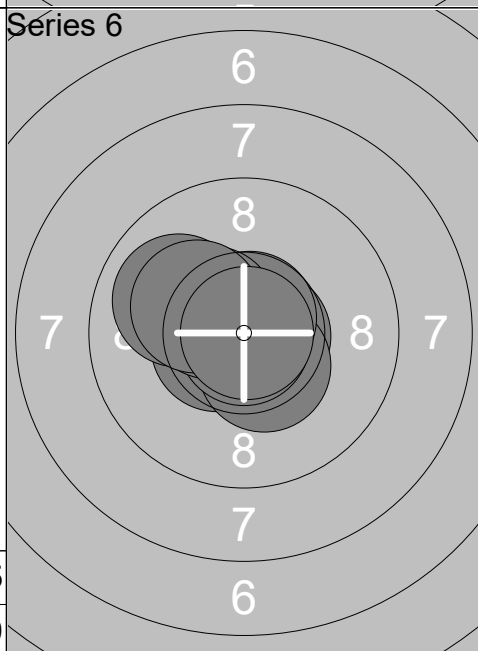
1:	10.6x	↑
2:	10.6x	↗
3:	10.9x	➤
4:	10.5x	⬇
5:	10.4x	⬇
6:	9.7	↑
7:	10.3x	↗
8:	10.2x	⬇
9:	10.7x	➔
10:	10.8x	↖
Series	104.7	
	313.5	



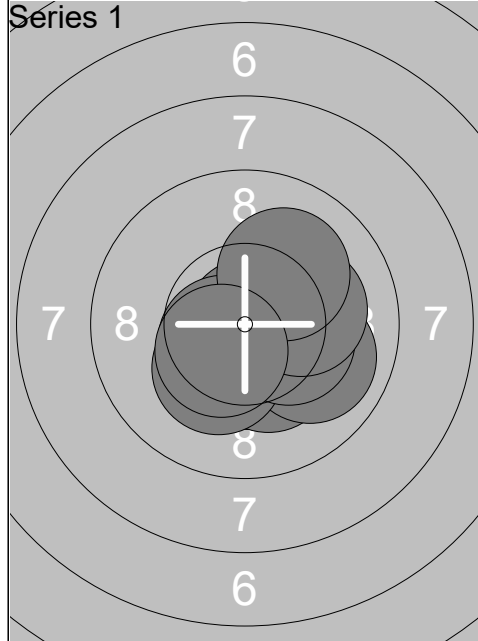
1:	10.6x	↙
2:	10.4x	↑
3:	10.9x	➔
4:	10.6x	↗
5:	10.3x	↙
6:	10.2x	➤
7:	10.2x	➔
8:	10.7x	➔
9:	10.7x	➔
10:	10.3x	➔
Series	104.9	
	418.4	



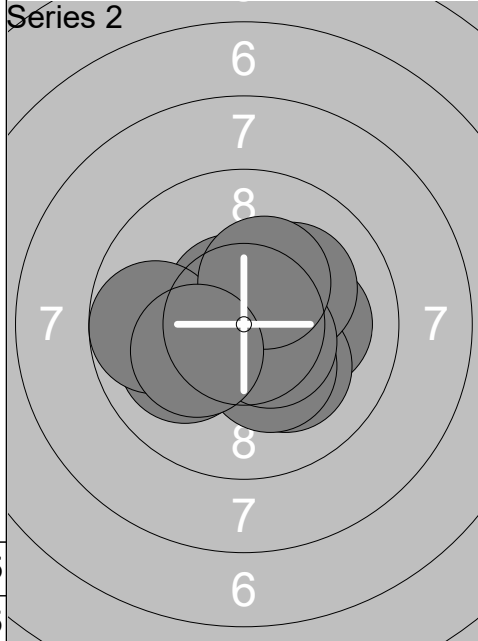
1:	10.9x	↙
2:	10.8x	⬇
3:	10.4x	←
4:	10.5x	←
5:	10.7x	⬇
6:	10.7x	⬇
7:	10.8x	↙
8:	10.6x	⬇
9:	10.6x	←
10:	10.5x	↖
Series	106.5	
	524.9	



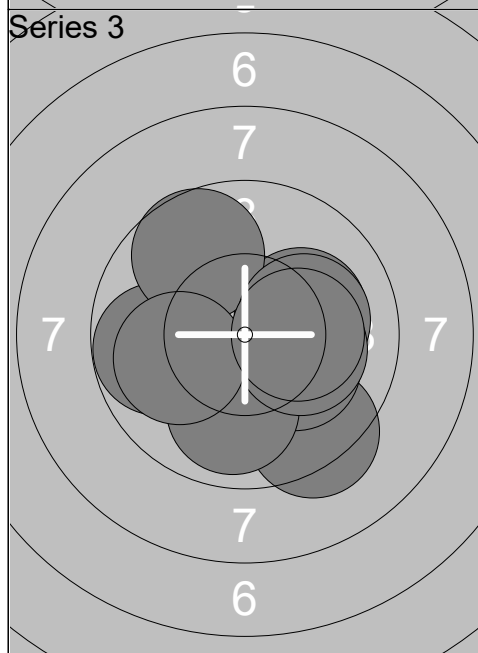
1:	10.7x	➔
2:	10.6x	←
3:	10.6x	↙
4:	10.4x	⬇
5:	10.8x	↗
6:	10.0	↙
7:	10.9x	⬇
8:	10.4x	↖
9:	10.2x	↖
10:	10.9x	➔
Series	105.5	
	630.4	



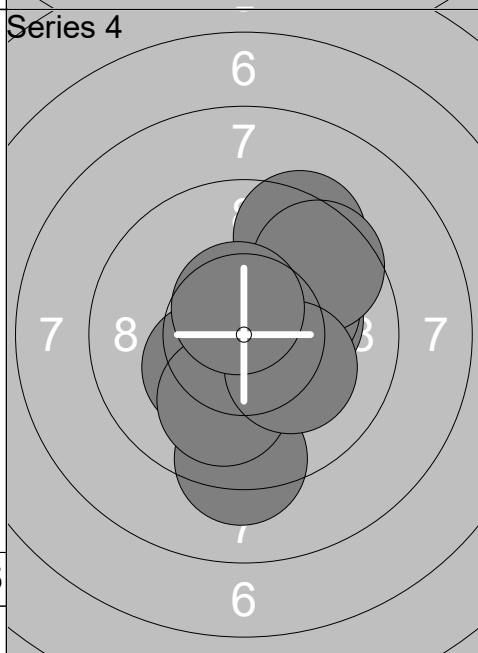
1:	10.9x →
2:	10.4x ↓
3:	10.3x ↓
4:	10.0 →
5:	10.6x ↙
6:	10.2x ↓
7:	10.3x →
8:	10.2x →
9:	10.1 ↗
10:	10.5x ↙
Series	103.5
	103.5



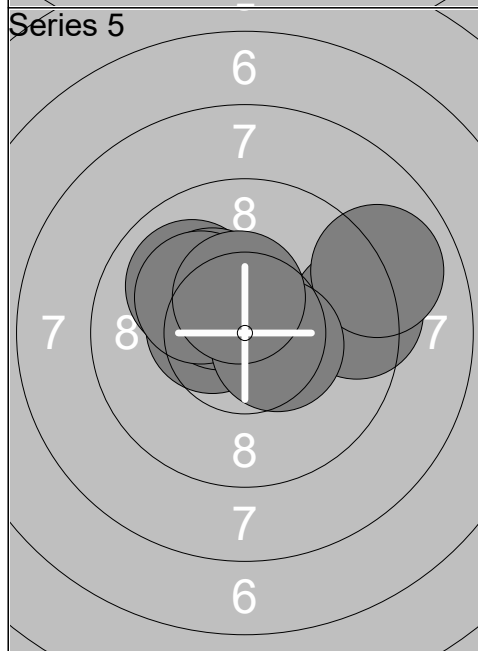
1:	10.1 →
2:	10.1 ↘
3:	10.3x ↓
4:	10.0 ↙
5:	10.6x ↗
6:	10.2x ↗
7:	10.5x ↘
8:	9.8 ←
9:	10.3x ↗
10:	10.2x ↙
Series	102.1
	205.6



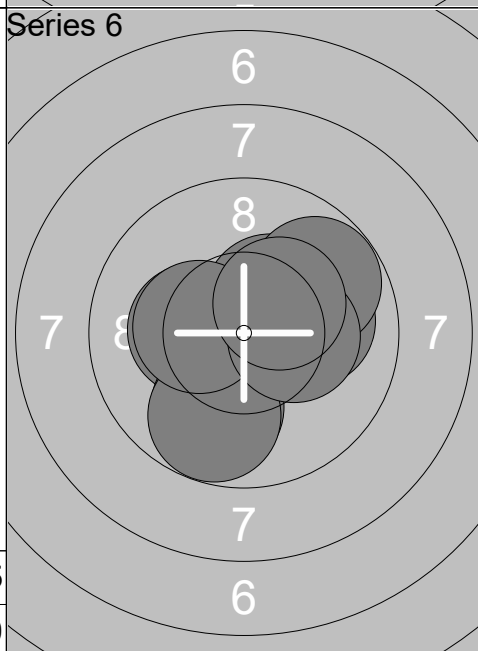
1:	9.8 ←
2:	9.4 ↓
3:	10.1 →
4:	10.1 ↘
5:	9.7 ↗
6:	9.9 ↓
7:	10.1 →
8:	10.2x →
9:	10.0 ←
10:	10.2x →
Series	99.5
	305.1



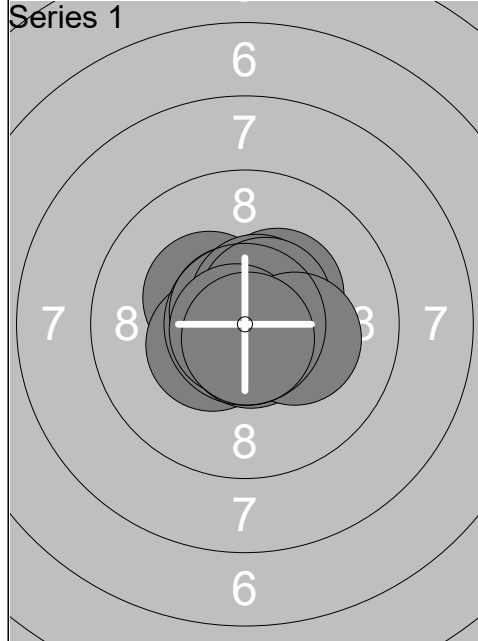
1:	10.6x ↗
2:	9.4 ↗
3:	10.2x →
4:	10.3x ↙
5:	10.2x ↗
6:	9.3 ↓
7:	10.0 ↓
8:	9.6 ↗
9:	10.2x ↘
10:	10.6x ↗
Series	100.4
	405.5



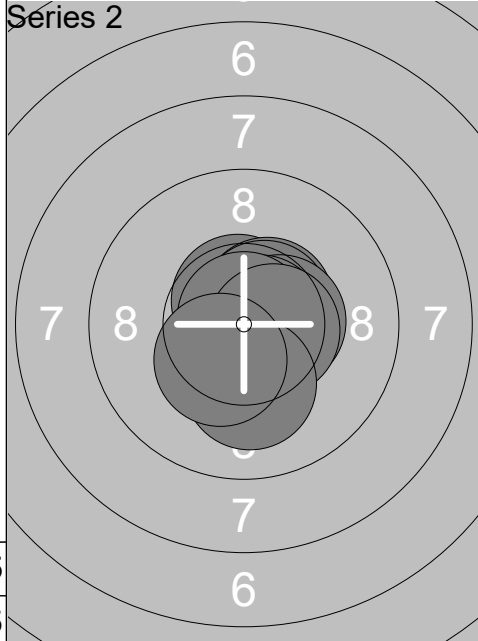
1:	10.7x →
2:	10.5x ↙
3:	10.0 ↙
4:	9.4 →
5:	10.4x ↗
6:	9.0 →
7:	10.3x ↗
8:	10.2x ↗
9:	10.5x →
10:	10.5x ↗
Series	101.5
	507.0



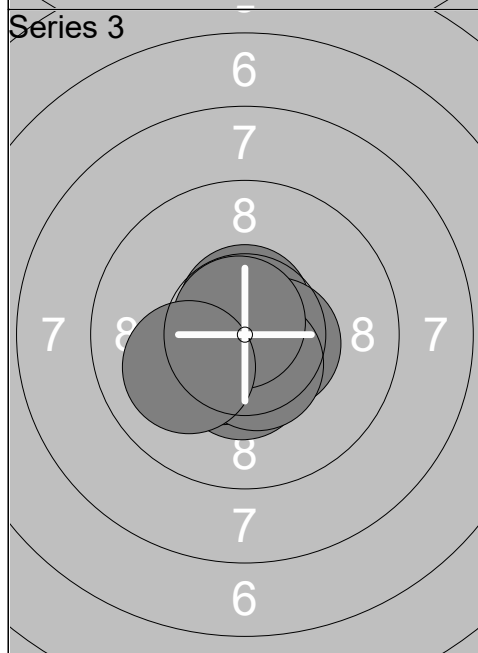
1:	10.4x ↗
2:	10.1 →
3:	9.8 ↗
4:	10.6x ↙
5:	10.3x ↙
6:	9.9 ↓
7:	9.8 ↓
8:	10.3x ↙
9:	10.3x →
10:	10.3x ↗
Series	101.8
	608.8



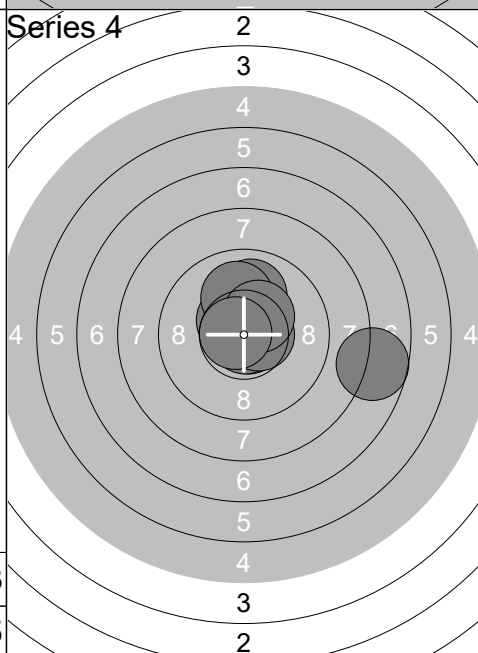
1:	10.3x ↖
2:	10.4x ↙
3:	10.4x ↗
4:	10.8x ↖
5:	10.6x ↗
6:	10.7x ↓
7:	10.6x ↗
8:	10.8x ↙
9:	10.2x →
10:	10.7x ↓
Series	105.5
	105.5



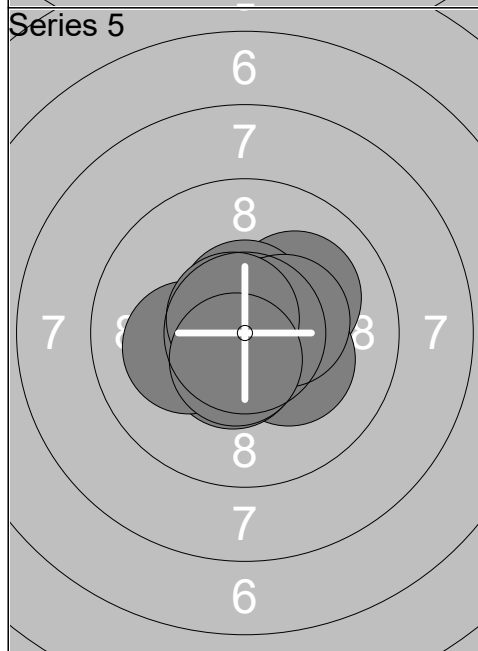
1:	10.6x ↗
2:	10.5x ↗
3:	10.6x ↗
4:	10.5x →
5:	10.8x →
6:	10.7x →
7:	10.9x ↑
8:	10.5x →
9:	10.2x ↓
10:	10.4x ↙
Series	105.7
	211.2



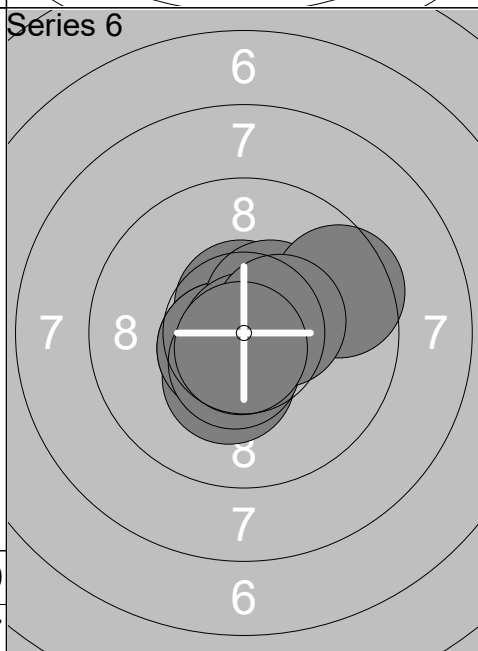
1:	10.6x ↑
2:	10.7x ↙
3:	10.5x ↓
4:	10.4x ↓
5:	10.7x ↓
6:	10.5x →
7:	10.5x ↙
8:	10.5x ↓
9:	10.8x ↖
10:	10.1 ↙
Series	105.3
	316.5



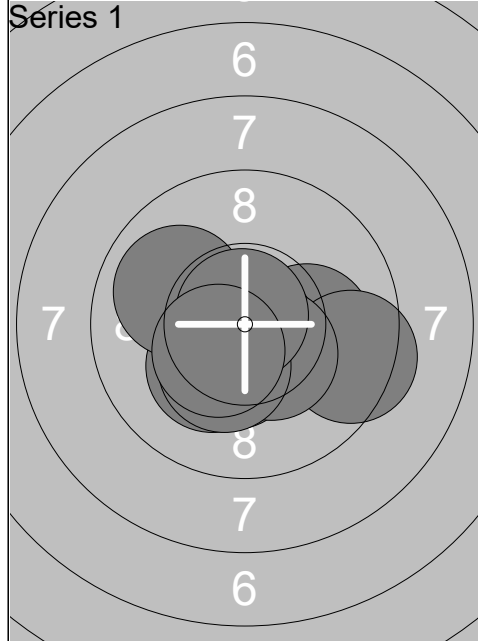
1:	10.6x ↑
2:	10.8x →
3:	7.7 →
4:	10.9x ↓
5:	10.5x ↖
6:	10.0 ↑
7:	10.6x →
8:	10.0 ↑
9:	10.4x ↗
10:	10.7x ↙
Series	102.2
	418.7



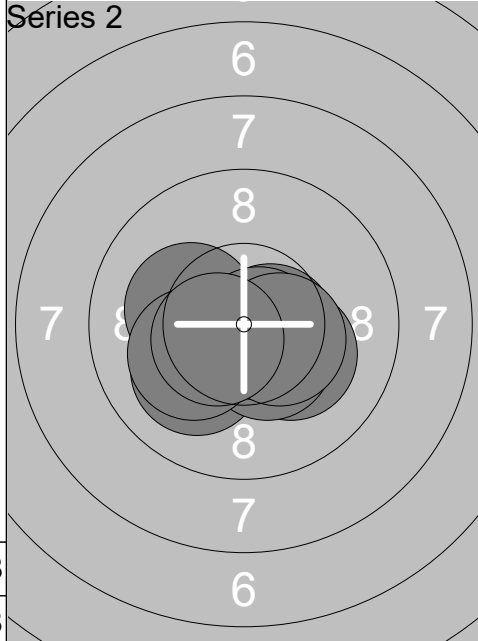
1:	10.8x ↗
2:	10.1 ↗
3:	10.6x ↑
4:	10.3x →
5:	10.5x ↓
6:	10.8x ↗
7:	10.4x →
8:	10.2x ↙
9:	10.7x ↖
10:	10.6x ↓
Series	105.0
	523.7



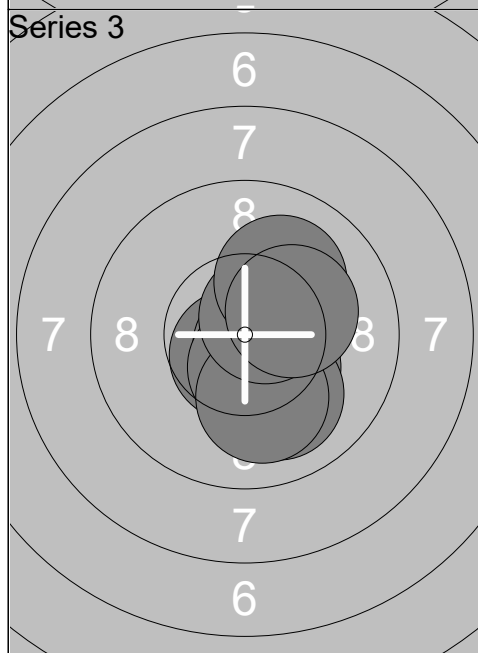
1:	10.6x ↑
2:	10.6x ↙
3:	10.3x ↓
4:	10.6x ↙
5:	10.4x ↗
6:	10.9x ↓
7:	10.5x ↓
8:	9.6 →
9:	10.5x →
10:	10.8x ↓
Series	104.8
	628.5



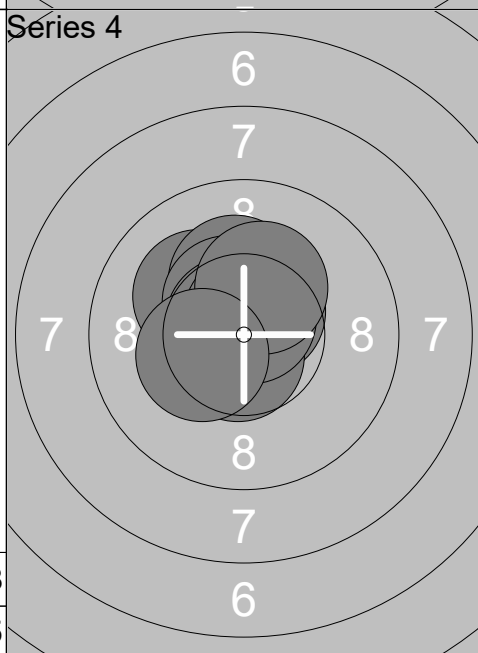
1:	10.1	→
2:	10.2x	↘
3:	9.4	→
4:	10.4x	↘
5:	10.8x	↘
6:	10.4x	↘
7:	10.3x	↘
8:	10.0	↖
9:	10.8x	↗
10:	10.4x	↘
Series	102.8	
	102.8	



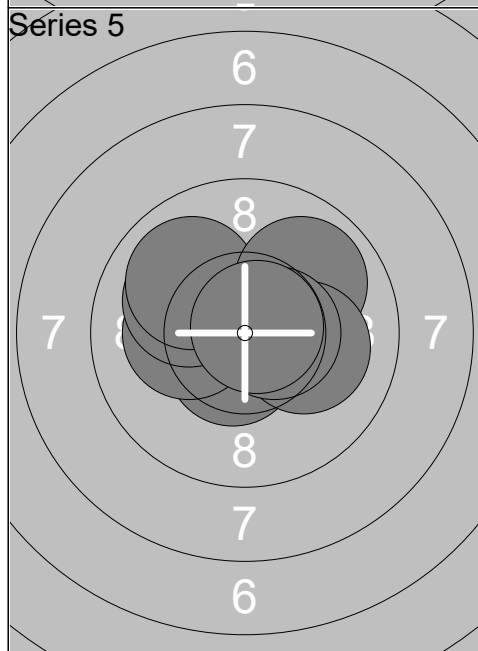
1:	10.2x	↘
2:	10.6x	↘
3:	10.1	↘
4:	10.2x	↖
5:	10.4x	↘
6:	10.2x	↖
7:	10.6x	→
8:	10.7x	↘
9:	10.4x	↘
10:	10.5x	↖
Series	103.9	
	206.7	



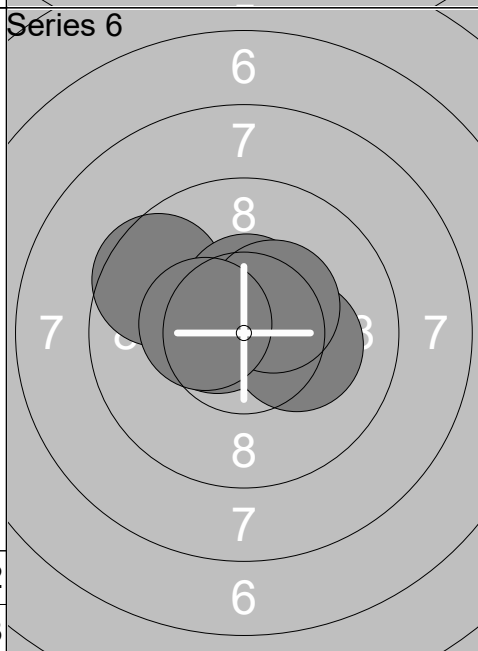
1:	10.6x	↘
2:	10.4x	↘
3:	10.6x	→
4:	10.7x	↘
5:	10.0	↘
6:	10.5x	↘
7:	10.1	↘
8:	10.6x	↗
9:	10.1	↗
10:	10.2x	↗
Series	103.8	
	310.5	



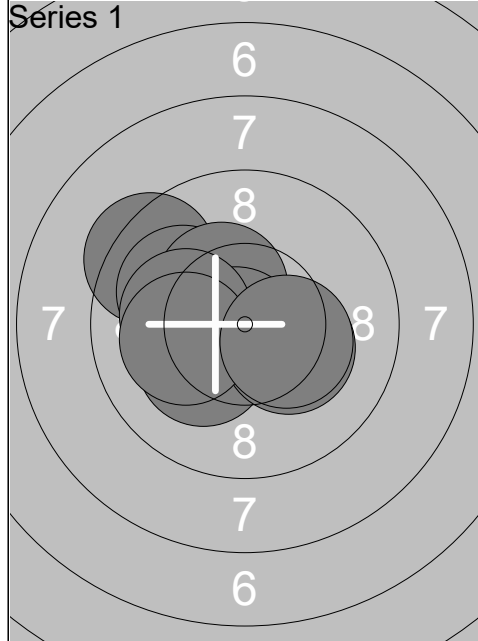
1:	10.6x	↗
2:	10.4x	↗
3:	10.7x	↘
4:	10.2x	↖
5:	10.2x	↗
6:	10.5x	↗
7:	10.7x	↖
8:	10.7x	↗
9:	10.3x	↗
10:	10.3x	↖
Series	104.6	
	415.1	



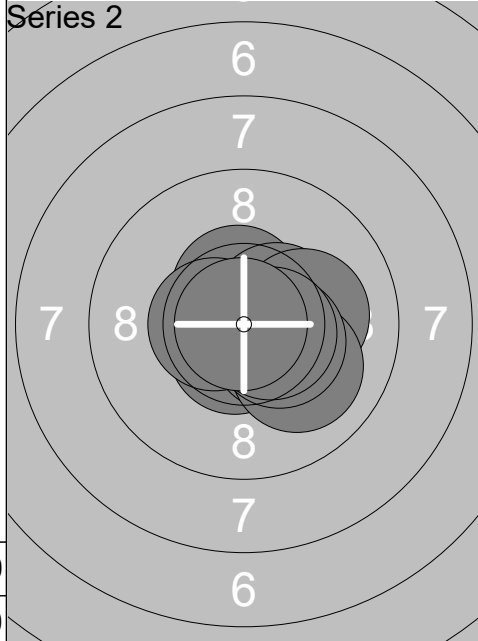
1:	10.7x	↗
2:	10.6x	↘
3:	10.2x	↖
4:	10.3x	→
5:	10.1	↖
6:	9.9	↗
7:	9.9	↗
8:	10.1	→
9:	10.6x	→
10:	10.8x	↗
Series	103.2	
	518.3	



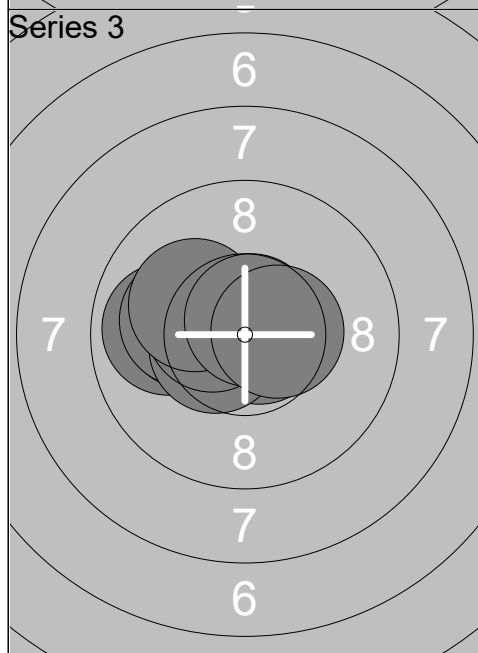
1:	10.8x	↗
2:	10.5x	→
3:	10.7x	↗
4:	10.7x	↗
5:	9.6	↖
6:	10.6x	↖
7:	10.5x	↗
8:	10.2x	→
9:	10.4x	↗
10:	10.4x	↖
Series	104.4	
	622.7	



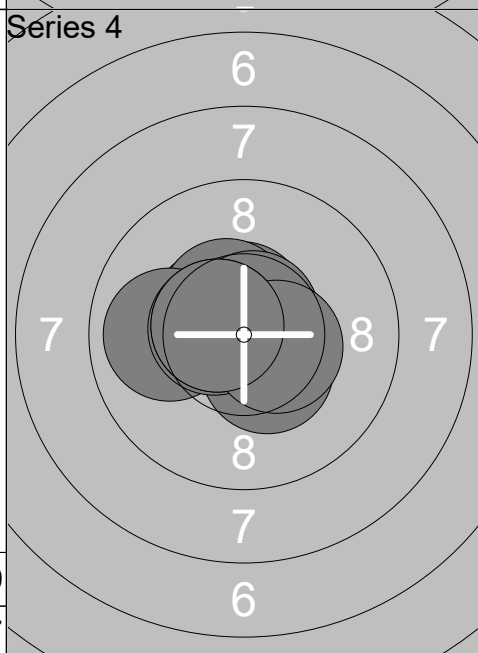
1:	9.4 ↖
2:	10.0 ↖
3:	10.4x ↖
4:	10.4x ↗
5:	10.8x ↘
6:	10.2x ↘
7:	10.1 ←
8:	10.3x ➤
9:	10.1 ←
10:	10.3x ➤
Series	102.0
	102.0



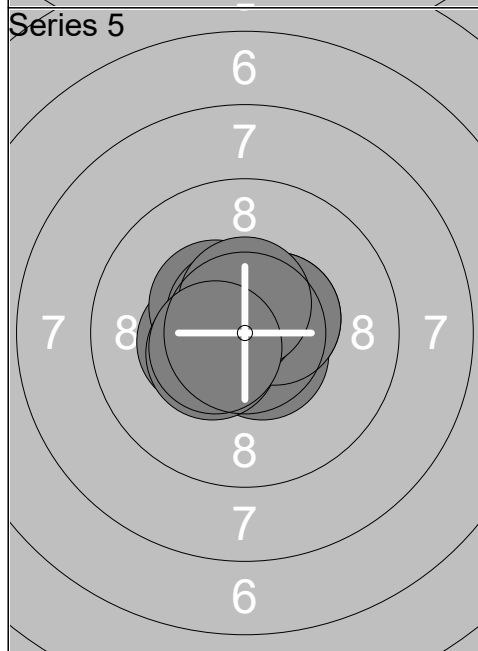
1:	10.6x ↘
2:	10.5x ↗
3:	10.6x ↖
4:	10.5x ➤
5:	10.2x ➤
6:	10.4x ➤
7:	10.1 ↘
8:	10.4x ➤
9:	10.6x ➤
10:	10.9x ↖
Series	104.8
	206.8



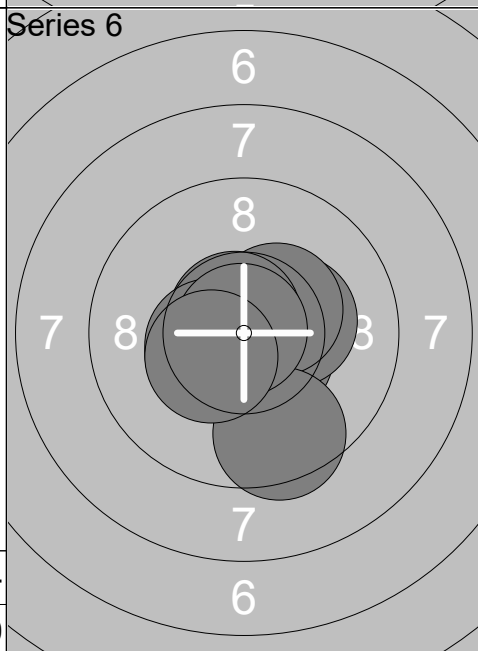
1:	10.8x ➤
2:	10.5x ↖
3:	9.9 ←
4:	10.2x ↖
5:	10.1 ←
6:	10.5x ↖
7:	10.5x ↖
8:	10.2x ↖
9:	10.7x ↗
10:	10.5x ➤
Series	103.9
	310.7



1:	10.6x ↗
2:	10.4x ↘
3:	10.5x ↖
4:	10.5x ↗
5:	10.0 ←
6:	10.5x ↖
7:	10.7x ↗
8:	10.6x ↖
9:	10.5x ➤
10:	10.6x ↖
Series	104.9
	415.6



1:	10.4x ↖
2:	10.8x ↗
3:	10.5x ➤
4:	10.4x ↖
5:	10.6x ↘
6:	10.4x ↖
7:	10.5x ➤
8:	10.7x ↖
9:	10.6x ↗
10:	10.5x ↖
Series	105.4
	521.0



1:	10.5x ↘
2:	10.7x ↘
3:	10.3x ➤
4:	10.4x ➤
5:	10.4x ↖
6:	10.7x ↖
7:	9.5 ↘
8:	10.5x ↖
9:	10.9x ↖
10:	10.4x ↖
Series	104.3
	625.3