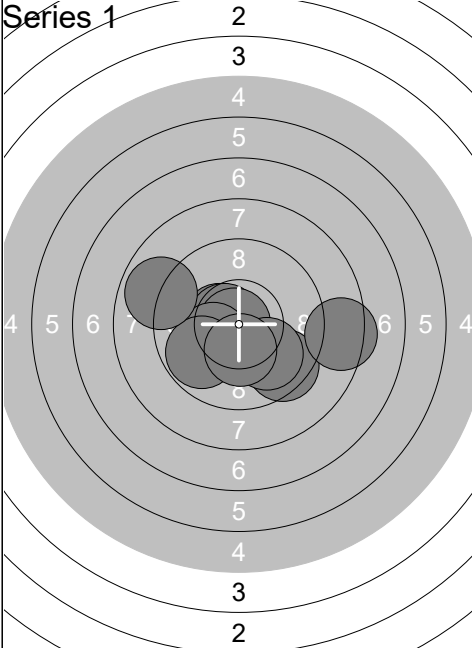
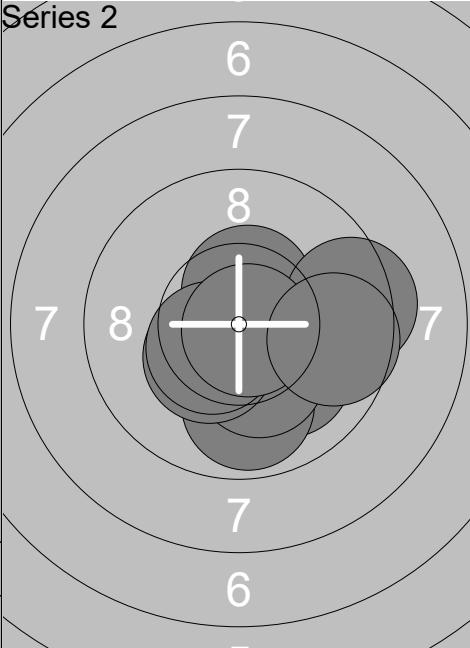
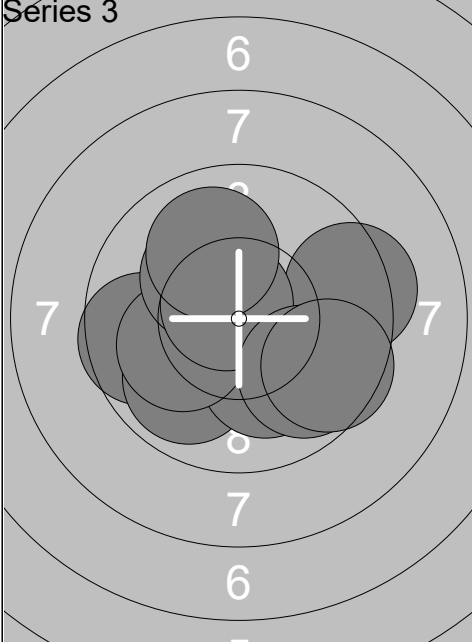
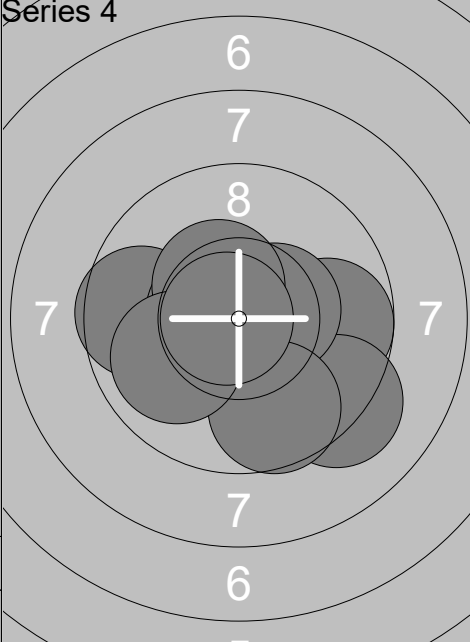
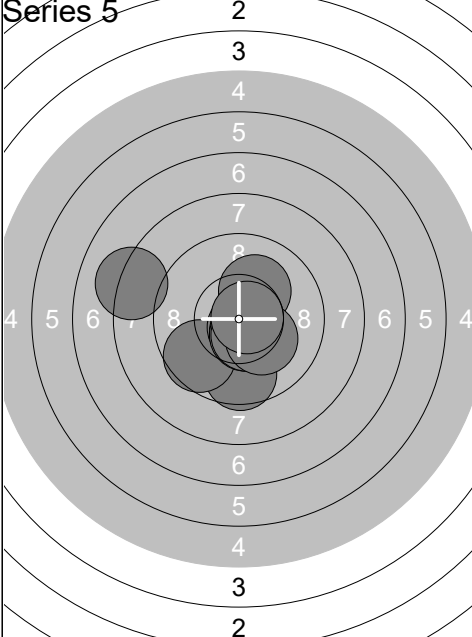
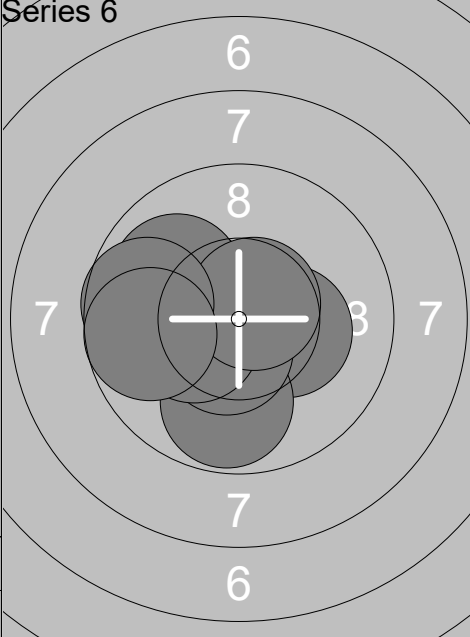


Relay	Lane	Anna Olesen		
3	2	DEN	WJ	R
Qual Day 1		Denmark Open Air 2026		Denmark Open Air 2026
11.02.2026		Denmark Open Air 2026		Denmark Open Air 2026
Series 1 	1: 10.4x ←	Series 2 	1: 10.5x ↗	
	2: 10.6x ←		2: 10.0 ↘	
	3: 9.5 ↘		3: 9.4 →	
	4: 10.8x ←		4: 9.9 ↓	
	5: 10.0 ↘		5: 10.6x ↘	
	6: 8.4 →		6: 10.3x ↘	
	7: 10.2x ←		7: 10.3x ↙	
	8: 9.8 ↙		8: 10.5x ↙	
	9: 8.9 ←		9: 10.8x ↘	
	10: 10.3x ↓		10: 9.7 →	
	Series 98.9		Series 102.0	
	98.9		200.9	
Series 3 	1: 9.6 ←	Series 4 	1: 9.6 ←	
	2: 9.9 ↘		2: 9.8 →	
	3: 10.1 ↘		3: 9.2 ↘	
	4: 10.1 ←		4: 10.6x ←	
	5: 9.4 →		5: 10.5x →	
	6: 10.3x ↗		6: 10.4x ↗	
	7: 10.7x ↗		7: 10.6x ↙	
	8: 9.8 ↘		8: 9.7 ↓	
	9: 10.0 ↗		9: 9.9 ←	
	10: 9.6 ↘		10: 10.8x ←	
	Series 99.5		Series 101.1	
	300.4		401.5	
Series 5 	1: 9.6 ↓	Series 6 	1: 10.7x →	
	2: 9.6 ↙		2: 10.3x →	
	3: 10.7x ↘		3: 9.8 ↓	
	4: 8.2 ←		4: 10.5x ↘	
	5: 10.6x ↘		5: 10.2x ←	
	6: 10.5x ↘		6: 10.0 ←	
	7: 10.2x ↗		7: 10.3x ←	
	8: 10.5x ↘		8: 10.7x ↗	
	9: 10.2x ↘		9: 9.7 ←	
	10: 10.8x →		10: 9.7 ←	
	Series 100.9		Series 101.9	
	502.4		604.3	

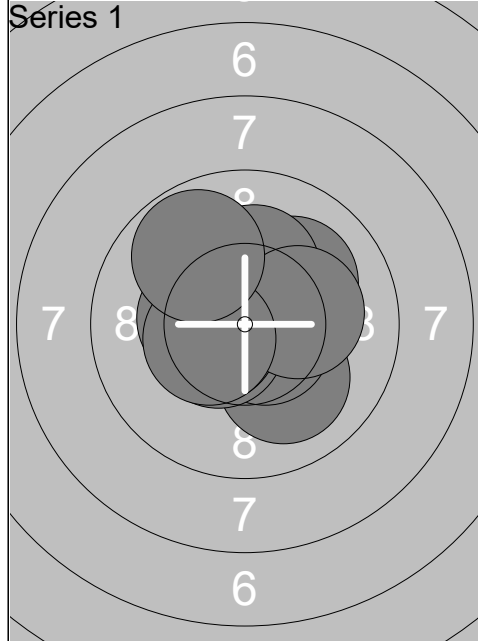
Relay	Lane	Frida Isaksen		
3	4	DEN	WJ	R
Qual Day 1		Denmark Open Air 2026		Denmark Open Air 2026
11.02.2026				
<b>Series 1</b> 	1: 10.3x ↖	<b>Series 2</b> 	1: 9.7 ↗	
	2: 10.5x ↗		2: 10.1 ↖	
	3: 10.7x ↙		3: 10.6x ↖	
	4: 10.0 ↑		4: 10.8x ↓	
	5: 10.2x ←		5: 10.2x ←	
	6: 9.6 ↗		6: 10.2x ←	
	7: 10.0 ←		7: 10.3x ←	
	8: 10.1 →		8: 10.5x →	
	9: 10.4x ↑		9: 10.4x ↘	
	10: 9.5 ←		10: 10.4x ↙	
	<b>Series</b> 101.3	<b>Series</b> 103.2		
	101.3		204.5	
<b>Series 3</b> 	1: 9.7 ↗	<b>Series 4</b> 	1: 9.7 ↖	
	2: 10.3x ↙		2: 9.9 ←	
	3: 9.5 ←		3: 10.3x ←	
	4: 9.6 ↙		4: 9.5 ←	
	5: 8.8 ←		5: 8.4 →	
	6: 9.7 ↗		6: 10.4x ↙	
	7: 9.9 ↗		7: 9.2 ↘	
	8: 10.2x ↗		8: 9.7 ↙	
	9: 9.5 ↙		9: 10.2x ↗	
	10: 10.1 ↘		10: 10.7x ↘	
	<b>Series</b> 97.3	<b>Series</b> 98.0		
	301.8		399.8	
<b>Series 5</b> 	1: 10.3x ↗	<b>Series 6</b> 	1: 10.3x ↗	
	2: 8.9 ↗		2: 9.2 ←	
	3: 10.7x ↖		3: 10.1 ↗	
	4: 9.8 ↗		4: 9.9 ←	
	5: 10.1 ↘		5: 10.6x ←	
	6: 9.9 ↗		6: 9.8 →	
	7: 8.5 →		7: 10.7x ↗	
	8: 10.5x ↙		8: 10.3x ↖	
	9: 10.3x ↖		9: 10.4x →	
	10: 10.3x ↙		10: 9.8 ←	
	<b>Series</b> 99.3	<b>Series</b> 101.1		
	499.1		600.2	

Relay	Lane	Ida Reitz		
3	5	DEN	WJ	R
11.02.2026	Denmark Open Air 2026	Denmark Open Air 2026		
<b>Series 1</b> 	1: 9.3 ↗	<b>Series 2</b> 	1: 9.8 ↗	
	2: 10.4x ↘		2: 9.0 ←	
	3: 9.8 →		3: 10.8x ↘	
	4: 10.0 ↗		4: 10.2x →	
	5: 10.3x ↗		5: 10.0 ←	
	6: 8.9 ←		6: 9.8 ↗	
	7: 10.0 →		7: 9.9 ↗	
	8: 8.9 ←		8: 9.4 ←	
	9: 10.3x ↗		9: 10.6x ↘	
	10: 10.1 ←		10: 9.8 ↘	
	<b>Series</b> 98.0	<b>Series</b> 99.3		
	98.0	197.3		
<b>Series 3</b> 	1: 10.0 ↘	<b>Series 4</b> 	1: 9.4 ←	
	2: 10.8x →		2: 9.1 ↗	
	3: 9.8 ←		3: 10.5x ↗	
	4: 10.3x ↓		4: 9.8 ↑	
	5: 10.6x ↘		5: 10.0 ←	
	6: 10.2x ↗		6: 10.5x →	
	7: 9.8 ↗		7: 9.7 ←	
	8: 10.3x ↘		8: 9.1 ↓	
	9: 10.6x →		9: 10.1 ↗	
	10: 9.4 ↘		10: 9.8 ↑	
	<b>Series</b> 101.8	<b>Series</b> 98.0		
	299.1	397.1		
<b>Series 5</b> 	1: 9.7 ↗	<b>Series 6</b> 	1: 9.8 →	
	2: 8.4 ←		2: 10.2x ↙	
	3: 10.2x ↗		3: 10.0 ←	
	4: 10.0 ↓		4: 10.5x →	
	5: 10.7x ↗		5: 9.8 ↗	
	6: 9.8 ←		6: 8.9 ↘	
	7: 10.4x →		7: 9.9 ↗	
	8: 10.5x ↗		8: 10.1 ↘	
	9: 10.7x ↓		9: 10.3x ↙	
	10: 9.5 ↘		10: 9.3 ↗	
	<b>Series</b> 99.9	<b>Series</b> 98.8		
	497.0	595.8		

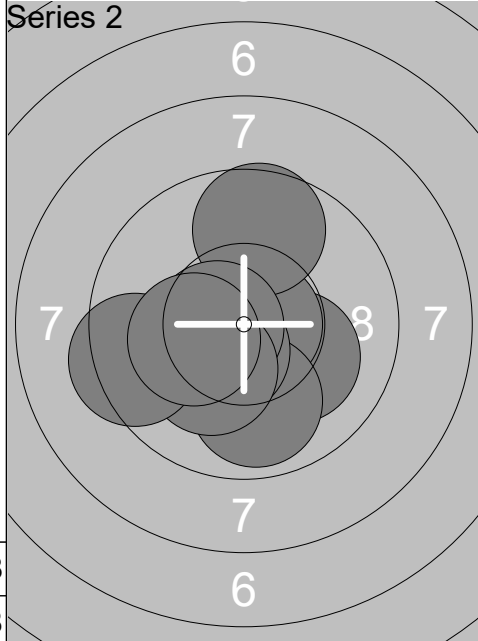
Relay <b>3</b>	Lane <b>6</b>	<b>Jessica Yang</b>
-------------------	------------------	---------------------

Qual Day 1	CAN	WJ	R
------------	-----	----	---

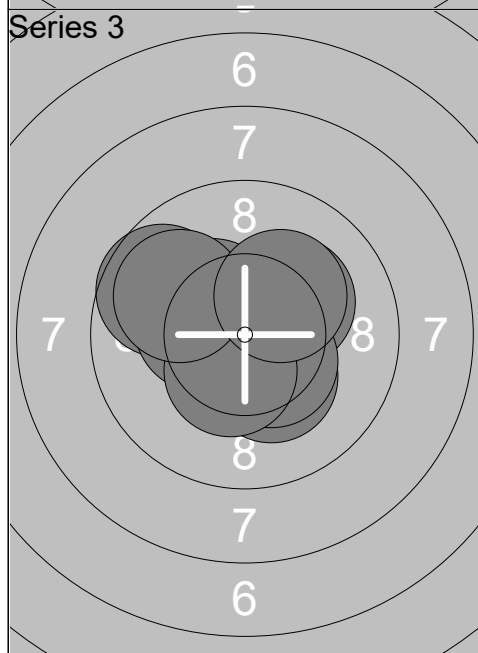
11.02.2026	Denmark Open Air 2026	Denmark Open Air 2026
------------	-----------------------	-----------------------



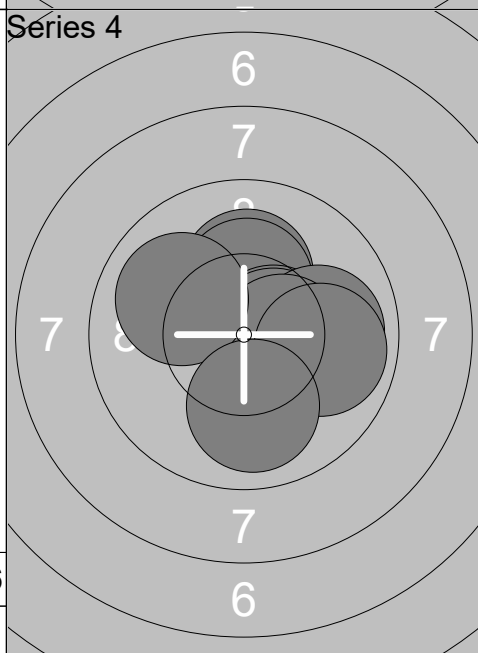
1:	10.1 ↘
2:	10.1 ↗
3:	10.2x ↑
4:	10.4x ←
5:	10.6x ↘
6:	10.5x ↙
7:	10.5x ←
8:	10.2x →
9:	10.4x ↙
10:	9.8 ↖
Series	102.8
	102.8



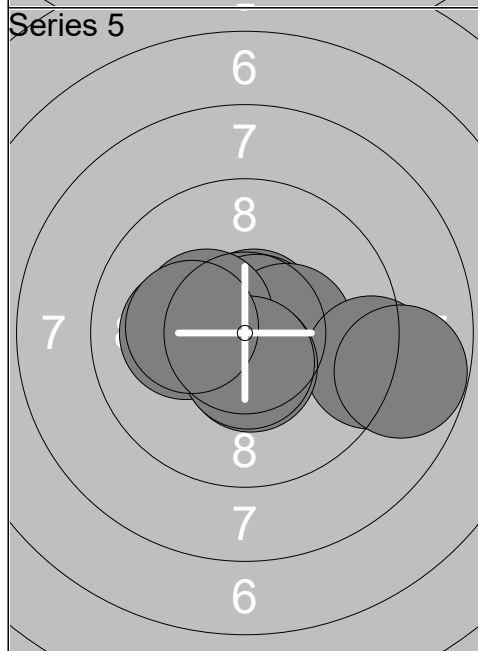
1:	10.2x ↘
2:	10.3x ↓
3:	10.8x →
4:	9.9 ↓
5:	9.6 ↑
6:	10.5x ↙
7:	10.6x ←
8:	10.2x ↙
9:	9.4 ←
10:	10.2x ←
Series	101.7
	204.5



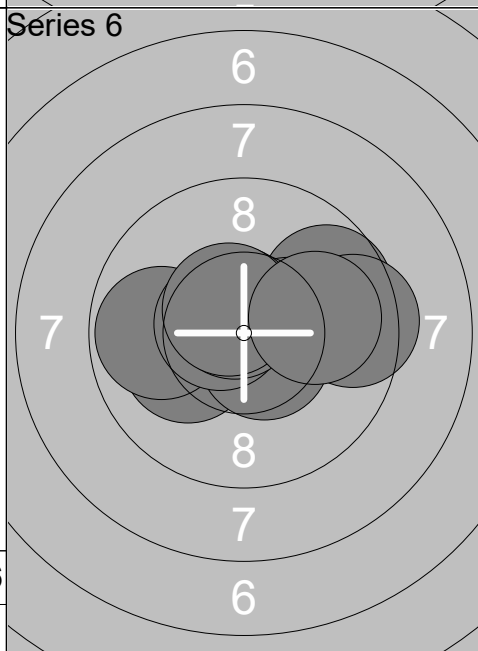
1:	10.2x ↗
2:	10.3x ↖
3:	9.7 ←
4:	10.3x ↓
5:	10.8x ↓
6:	10.4x ↓
7:	10.4x ←
8:	10.4x ↓
9:	9.9 ←
10:	10.2x ↗
Series	102.6
	307.1



1:	10.2x ↑
2:	10.3x ↑
3:	10.6x →
4:	10.6x ↘
5:	10.5x →
6:	9.9 →
7:	10.4x →
8:	9.9 →
9:	10.0 ←
10:	10.0 ↓
Series	102.4
	409.5

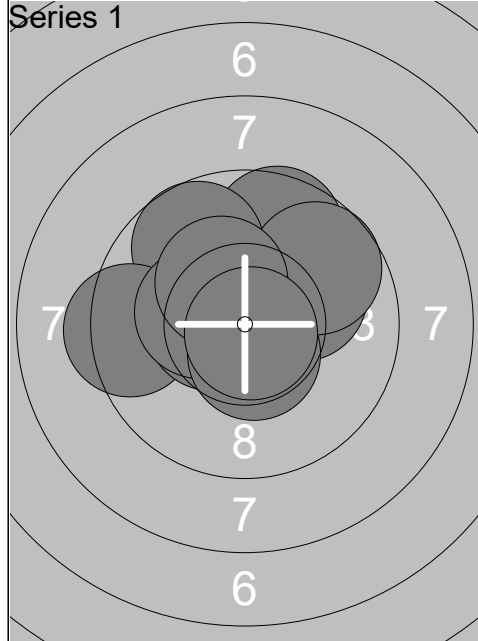


1:	10.7x ↗
2:	10.7x ↗
3:	10.4x →
4:	9.2 →
5:	10.2x ←
6:	10.4x ←
7:	10.5x ↓
8:	10.5x ↓
9:	10.2x ←
10:	8.8 →
Series	101.6
	511.1

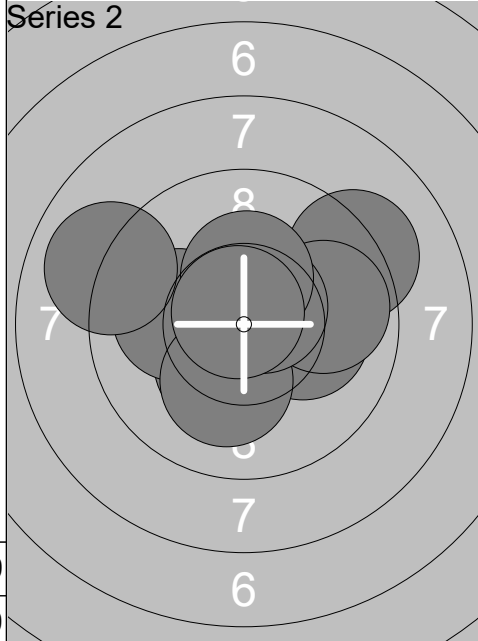


1:	10.1 ←
2:	9.8 ←
3:	9.7 ↗
4:	10.3x →
5:	10.5x ↘
6:	10.6x ←
7:	10.7x ↗
8:	10.6x ↖
9:	9.4 →
10:	10.0 →
Series	101.7
	612.8

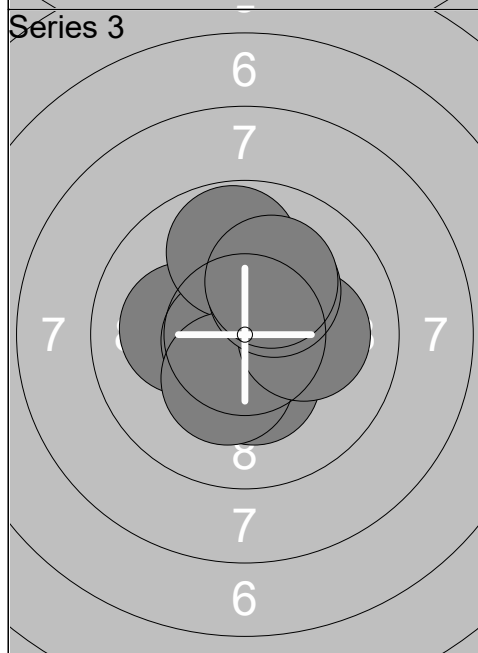
Relay	Lane	Laura Bødtker		
3	8	DEN	WJ	R
Qual Day 1		Denmark Open Air 2026		Denmark Open Air 2026
11.02.2026		Denmark Open Air 2026		Denmark Open Air 2026
<b>Series 1</b> 	1: 9.6 ←	<b>Series 2</b> 	1: 10.7x ←	
	2: 10.1 ←		2: 10.1 ↓	
	3: 9.4 →		3: 10.8x ↑	
	4: 10.2x ↑		4: 10.6x ↘	
	5: 10.2x ↗		5: 10.6x ↙	
	6: 10.8x ↗		6: 9.8 ↗	
	7: 9.4 ↘		7: 10.7x ↘	
	8: 9.7 ↘		8: 10.5x ↑	
	9: 10.7x ↖		9: 10.7x ↑	
	10: 10.8x →		10: 10.7x ↘	
	<b>Series</b> 100.9	<b>Series</b> 105.2		
	100.9		206.1	
<b>Series 3</b> 	1: 9.1 →	<b>Series 4</b> 	1: 9.8 ↗	
	2: 10.4x ↘		2: 10.4x ↖	
	3: 10.4x ↖		3: 10.1 ↓	
	4: 10.6x ←		4: 10.3x ↘	
	5: 10.7x ↖		5: 8.9 →	
	6: 10.3x →		6: 10.1 →	
	7: 10.8x ↗		7: 10.7x ↗	
	8: 10.5x ↘		8: 10.4x ↗	
	9: 10.2x →		9: 10.5x →	
	10: 10.7x ←		10: 10.5x ↙	
	<b>Series</b> 103.7	<b>Series</b> 101.7		
	309.8		411.5	
<b>Series 5</b> 	1: 10.9x ↖	<b>Series 6</b> 	1: 10.5x ↖	
	2: 10.4x →		2: 8.3 →	
	3: 10.5x ↑		3: 10.9x ↓	
	4: 10.6x ←		4: 10.7x ↖	
	5: 10.2x →		5: 10.6x ↖	
	6: 10.3x ↗		6: 9.5 ↘	
	7: 9.4 ↘		7: 9.8 ↘	
	8: 10.3x ↖		8: 10.4x ↗	
	9: 9.8 ↓		9: 10.6x ↖	
	10: 10.6x ↑		10: 9.9 ←	
	<b>Series</b> 103.0	<b>Series</b> 101.2		
	514.5		615.7	



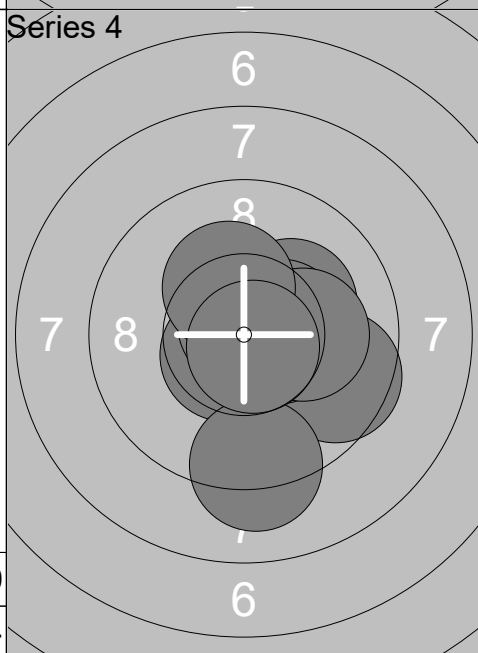
1:	9.6	↗
2:	10.1	➔
3:	9.7	↖
4:	9.4	←
5:	10.5x	←
6:	10.3x	←
7:	10.5x	↓
8:	9.7	↗
9:	10.3x	↖
10:	10.8x	↓
<b>Series</b>	<b>100.9</b>	
	<b>100.9</b>	



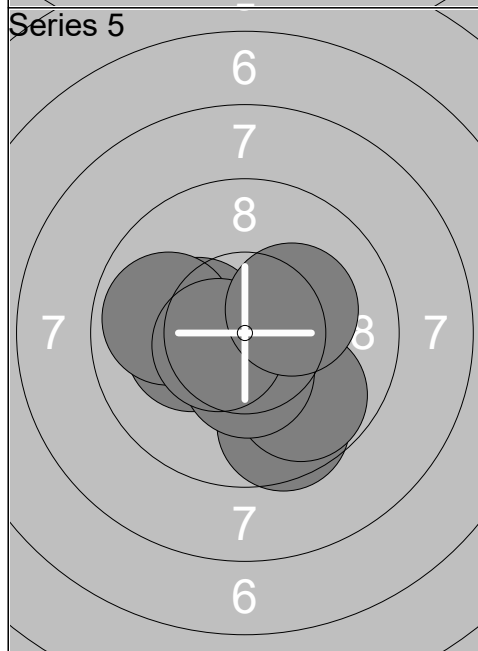
1:	9.2	↗
2:	10.3x	↘
3:	10.1	➔
4:	10.1	←
5:	10.2x	↓
6:	9.0	←
7:	9.9	➔
8:	10.6x	↗
9:	10.3x	↑
10:	10.8x	↖
<b>Series</b>	<b>100.5</b>	
	<b>201.4</b>	



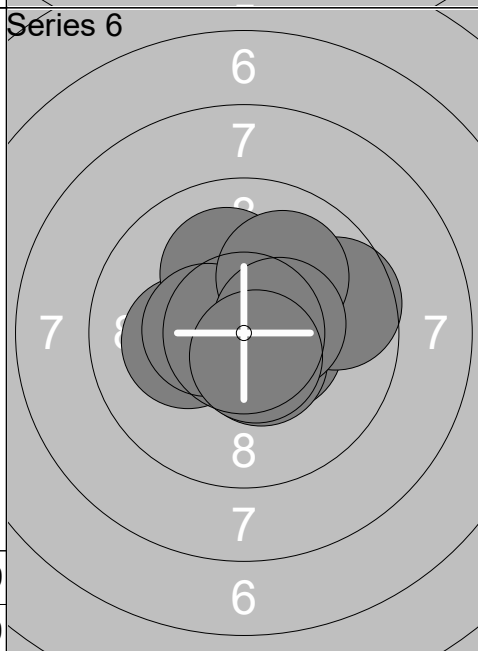
1:	10.6x	←
2:	10.5x	➔
3:	10.3x	↓
4:	10.2x	←
5:	10.7x	←
6:	9.8	↑
7:	10.3x	↘
8:	10.2x	➔
9:	10.2x	↗
10:	10.2x	↗
<b>Series</b>	<b>103.0</b>	
	<b>304.4</b>	



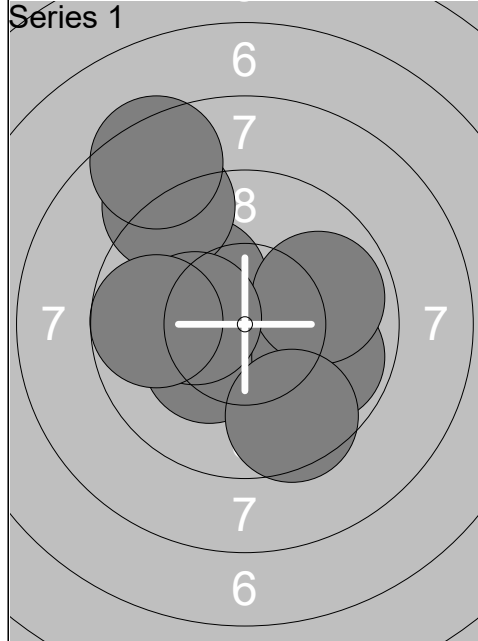
1:	9.6	➔
2:	10.6x	↘
3:	10.2x	↗
4:	10.8x	↑
5:	10.5x	➔
6:	10.5x	➔
7:	10.1	➔
8:	9.2	↓
9:	10.3x	↑
10:	10.8x	↘
<b>Series</b>	<b>102.6</b>	
	<b>407.0</b>	



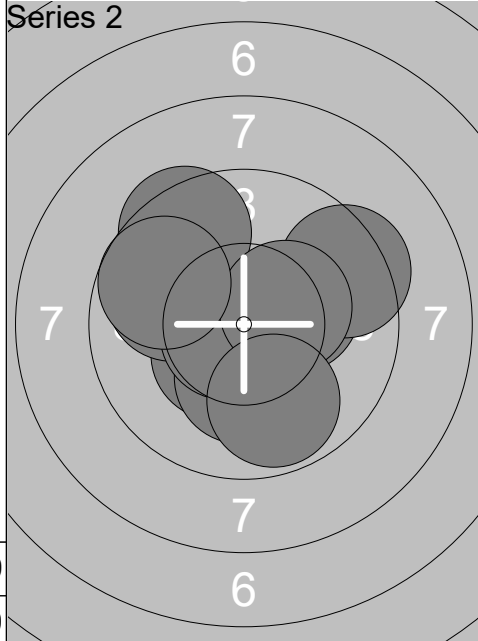
1:	10.4x	↘
2:	9.6	↓
3:	10.3x	←
4:	10.6x	↓
5:	9.8	↘
6:	10.2x	←
7:	9.9	←
8:	10.4x	↓
9:	10.5x	←
10:	10.2x	↗
<b>Series</b>	<b>101.9</b>	
	<b>508.9</b>	



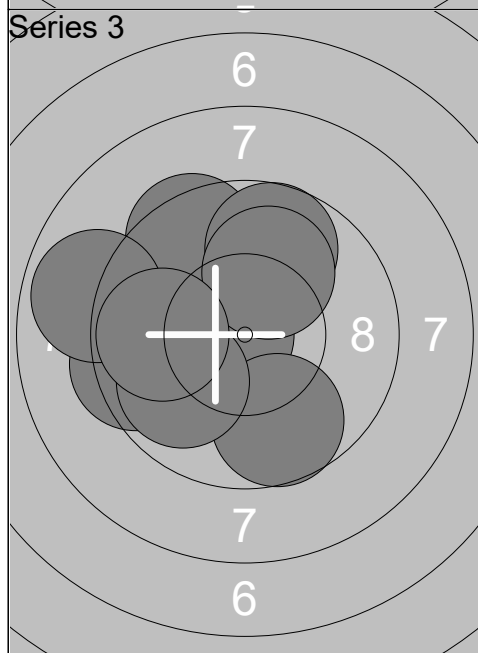
1:	10.2x	←
2:	10.5x	➔
3:	10.7x	↖
4:	10.1	↑
5:	9.6	➔
6:	10.5x	←
7:	10.5x	↓
8:	10.1	↗
9:	10.4x	➔
10:	10.6x	↓
<b>Series</b>	<b>103.2</b>	
	<b>612.1</b>	



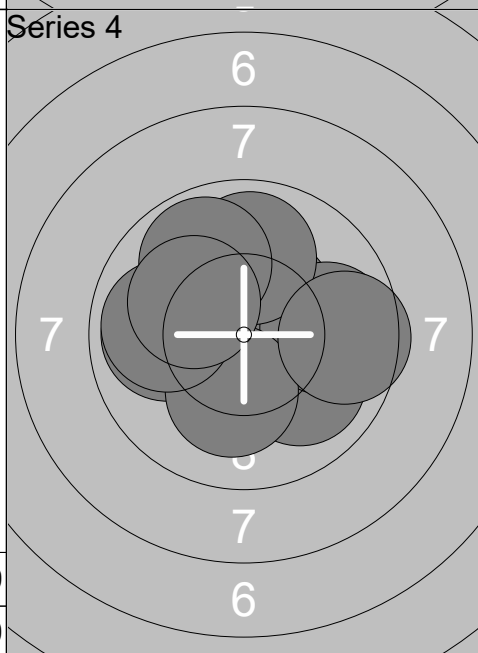
1:	10.7x ↙
2:	10.1 ↖
3:	10.3x ↙
4:	9.9 ➡
5:	9.9 ➡
6:	9.0 ↗
7:	8.4 ↗
8:	9.5 ↘
9:	10.3x ←
10:	9.8 ←
<b>Series</b>	<b>97.9</b>
	<b>97.9</b>



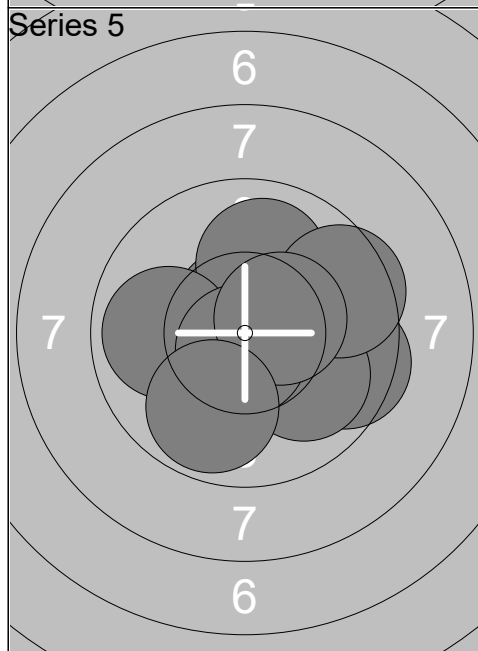
1:	10.2x ➡
2:	10.4x ↙
3:	9.9 ↖
4:	9.4 ➡
5:	10.2x ↓
6:	10.7x ↙
7:	9.5 ↗
8:	10.3x ➡
9:	9.8 ↖
10:	9.8 ↓
<b>Series</b>	<b>100.2</b>
	<b>198.1</b>



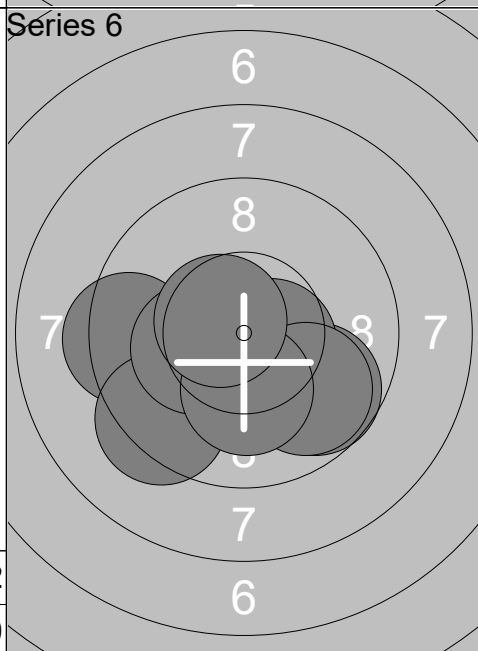
1:	10.3x ↙
2:	10.7x ←
3:	9.4 ↖
4:	9.5 ↗
5:	9.7 ↗
6:	9.7 ↓
7:	9.9 ↙
8:	10.0 ↗
9:	8.9 ←
10:	9.8 ←
<b>Series</b>	<b>97.9</b>
	<b>296.0</b>



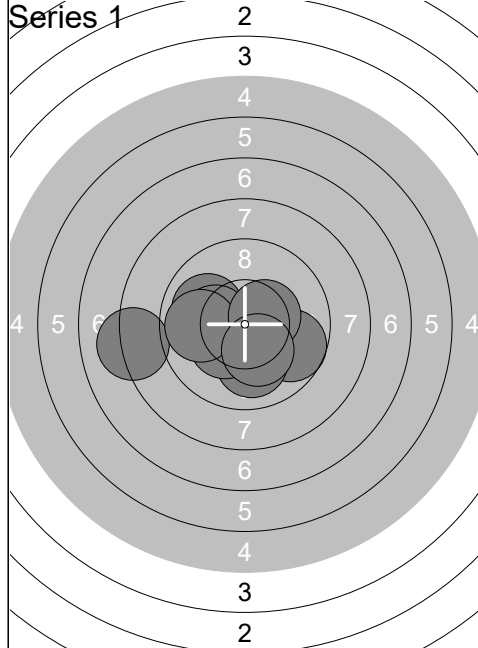
1:	10.0 ↘
2:	9.9 ↖
3:	10.4x ↗
4:	9.8 ➡
5:	9.9 ↗
6:	10.2x ↓
7:	9.6 ➡
8:	9.9 ↖
9:	9.9 ↗
10:	10.2x ↖
<b>Series</b>	<b>99.8</b>
	<b>395.8</b>



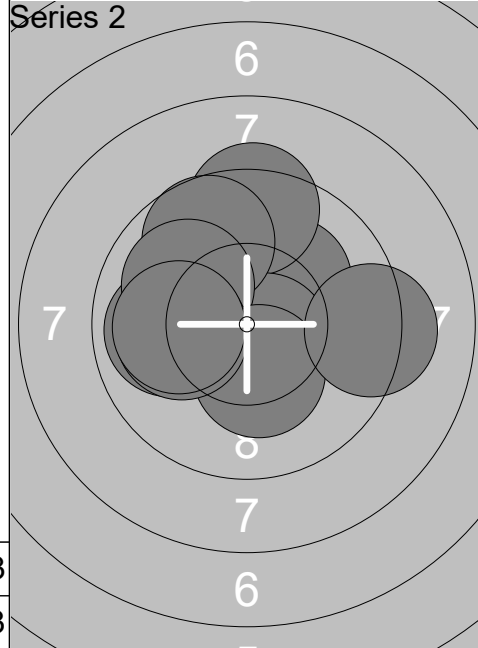
1:	9.5 ➡
2:	10.7x ↙
3:	10.0 ↘
4:	10.7x ↗
5:	10.0 ↗
6:	9.5 ➡
7:	9.9 ↖
8:	10.7x ↓
9:	10.4x ➡
10:	9.8 ↓
<b>Series</b>	<b>101.2</b>
	<b>497.0</b>



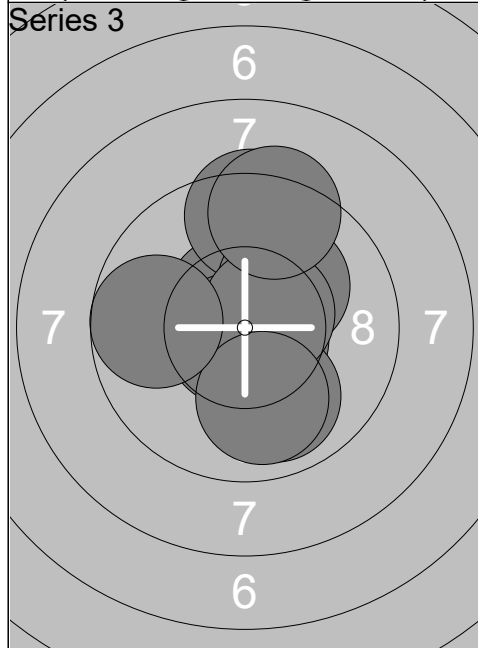
1:	9.4 ↖
2:	9.7 ↘
3:	10.5x ↙
4:	10.4x ↓
5:	10.6x ➡
6:	9.3 ↙
7:	10.3x ←
8:	9.8 ↘
9:	10.2x ↓
10:	10.6x ↖
<b>Series</b>	<b>100.8</b>
	<b>597.8</b>



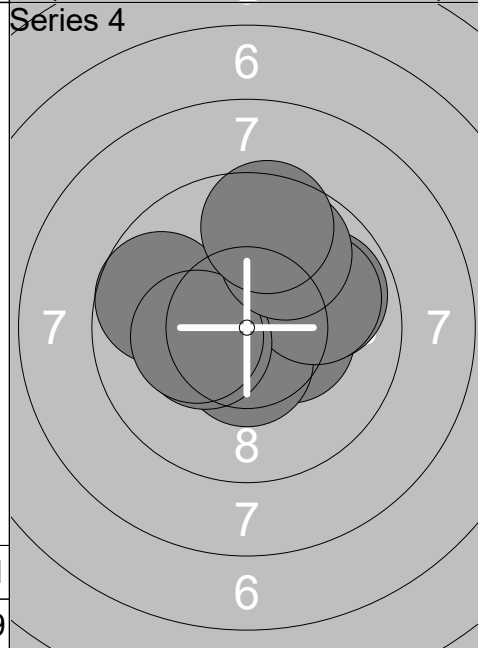
1:	9.7	➔
2:	9.9	↙
3:	8.1	↙
4:	10.2x	↙
5:	10.0	↓
6:	10.5x	↓
7:	10.3x	↙
8:	9.9	↙
9:	10.4x	➔
10:	10.3x	↓
<b>Series</b>	<b>99.3</b>	
	<b>99.3</b>	



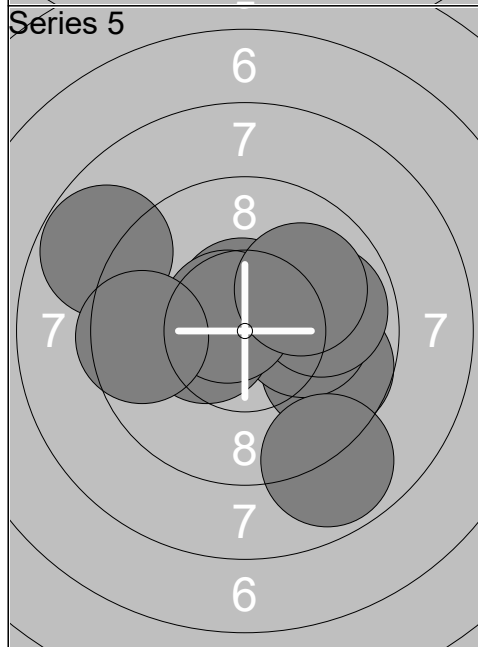
1:	9.9	↙
2:	10.2x	↗
3:	9.4	↑
4:	10.6x	↘
5:	9.7	↑
6:	10.0	↙
7:	10.3x	↓
8:	9.3	➔
9:	10.1	↙
10:	10.0	↙
<b>Series</b>	<b>99.5</b>	
	<b>198.8</b>	



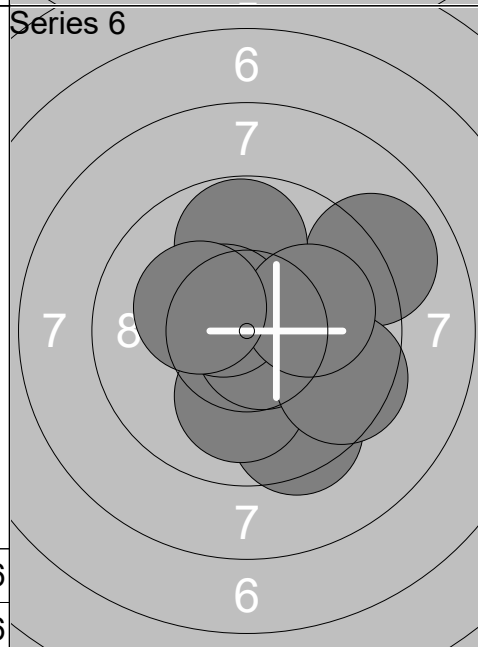
1:	10.6x	↗
2:	10.7x	↘
3:	9.4	↑
4:	9.9	↓
5:	10.2x	↗
6:	10.7x	↙
7:	10.6x	➔
8:	10.0	↓
9:	9.3	↑
10:	9.7	↙
<b>Series</b>	<b>101.1</b>	
	<b>299.9</b>	



1:	10.4x	➔
2:	10.7x	↙
3:	10.5x	↓
4:	9.9	➔
5:	10.0	➔
6:	10.3x	↙
7:	9.7	↙
8:	10.3x	↙
9:	9.8	↑
10:	9.5	↑
<b>Series</b>	<b>101.1</b>	
	<b>401.0</b>	

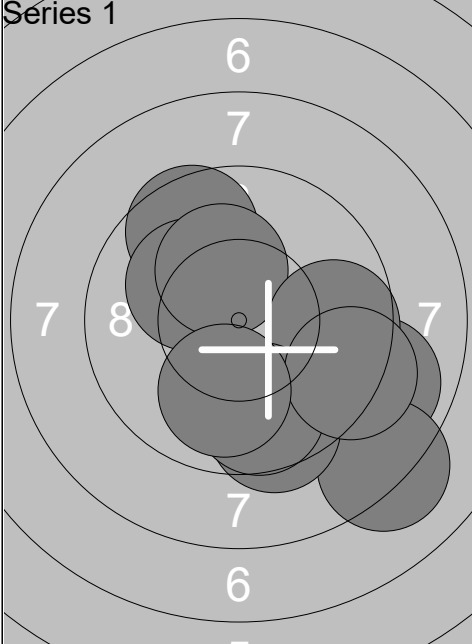
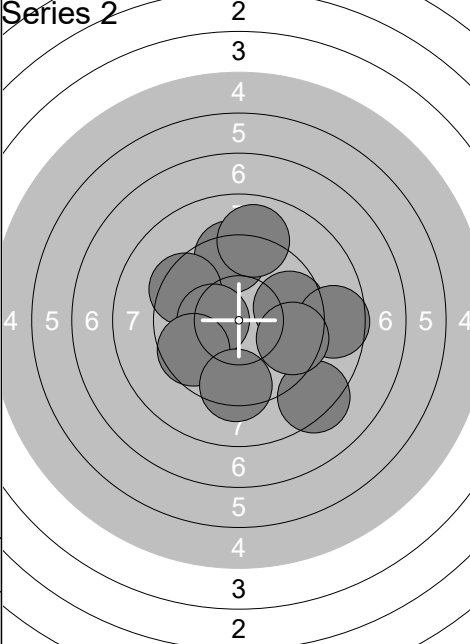
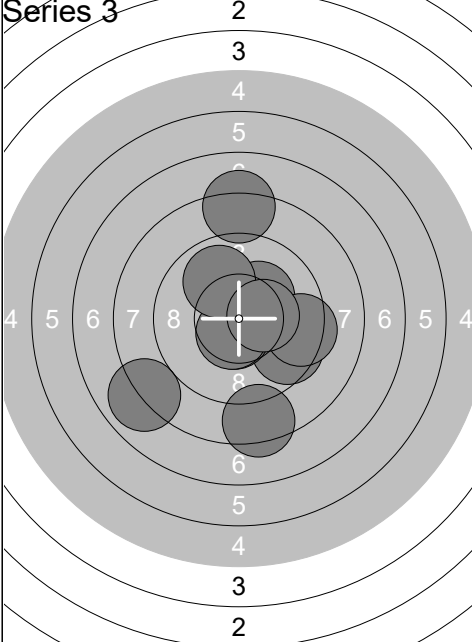
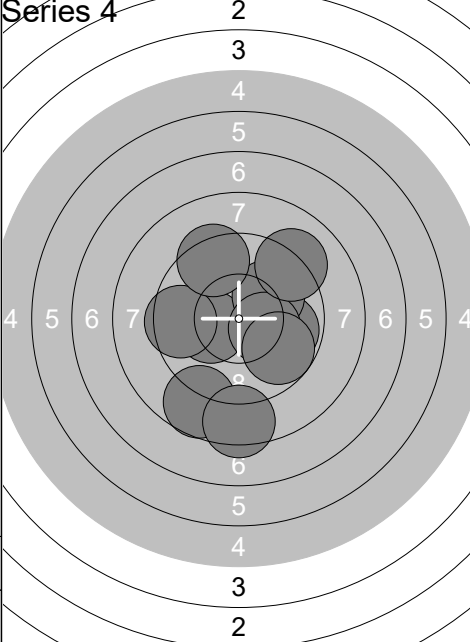
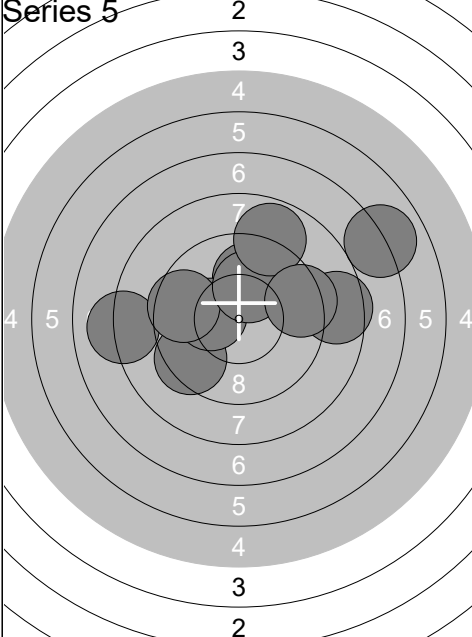
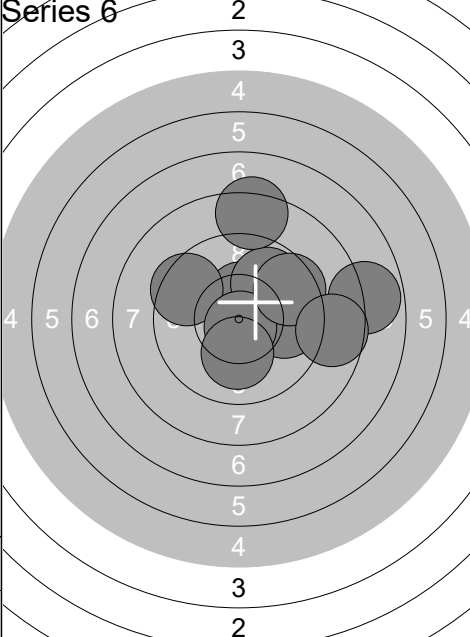


1:	9.7	➔
2:	10.6x	↑
3:	10.1	➔
4:	8.9	↓
5:	10.4x	↙
6:	8.8	↙
7:	9.9	➔
8:	10.6x	↙
9:	10.0	↗
10:	9.6	↙
<b>Series</b>	<b>98.6</b>	
	<b>499.6</b>	



1:	9.0	↗
2:	9.5	↓
3:	10.5x	➔
4:	9.8	↑
5:	10.0	↓
6:	10.7x	↘
7:	9.5	↘
8:	10.5x	↙
9:	10.1	➔
10:	10.3x	↙
<b>Series</b>	<b>99.9</b>	
	<b>599.5</b>	

Relay	Lane	Nicoline Rahr		
3	12	DEN	WJ	R
Qual Day 1		Denmark Open Air 2026		Denmark Open Air 2026
11.02.2026				
<b>Series 1</b> 	1: 10.1 ↖	<b>Series 2</b> 	1: 10.2x ↗	
	2: 9.9 ↗		2: 10.7x ↗	
	3: 10.8x ➡		3: 10.3x ←	
	4: 10.7x ➡		4: 10.2x ↓	
	5: 10.6x ↗		5: 10.4x ↘	
	6: 10.6x ←		6: 10.7x ➡	
	7: 10.0 ←		7: 9.7 ➡	
	8: 10.4x ↗		8: 10.2x ↗	
	9: 10.6x ➡		9: 10.2x ↓	
	10: 10.9x ↘		10: 10.2x ↘	
	<b>Series</b> 104.6		<b>Series</b> 102.8	
	104.6		207.4	
<b>Series 3</b> 	1: 9.9 ←	<b>Series 4</b> 	1: 10.4x ↖	
	2: 9.8 ↖		2: 10.4x ↓	
	3: 10.7x ↓		3: 10.7x ↓	
	4: 9.9 ↗		4: 10.5x ←	
	5: 10.5x ←		5: 10.3x ↘	
	6: 10.3x ➡		6: 10.6x ←	
	7: 9.9 ➡		7: 10.6x ↘	
	8: 10.3x ↗		8: 10.2x ↗	
	9: 9.9 ➡		9: 10.3x ➡	
	10: 10.6x ↗		10: 10.7x ➡	
	<b>Series</b> 101.8		<b>Series</b> 104.7	
	309.2		413.9	
<b>Series 5</b> 	1: 10.3x ↘	<b>Series 6</b> 	1: 10.3x ↖	
	2: 10.4x ➡		2: 10.6x ↘	
	3: 10.2x ↖		3: 10.6x ↗	
	4: 9.9 ←		4: 9.9 ↗	
	5: 10.3x ➡		5: 10.1 ↗	
	6: 10.5x ↗		6: 10.4x ↘	
	7: 10.2x ←		7: 10.3x ↗	
	8: 10.3x ←		8: 10.7x ➡	
	9: 10.1 ←		9: 9.8 ➡	
	10: 9.9 ↗		10: 10.2x ↘	
	<b>Series</b> 102.1		<b>Series</b> 102.9	
	516.0		618.9	

Relay	Lane	Raisa Brytvina		
3	13	SWE	WJ	R
Qual Day 1	11.02.2026	Denmark Open Air 2026		Denmark Open Air 2026
<b>Series 1</b> 	1: 9.6 ↗	<b>Series 2</b> 	1: 9.4 ↑	
	2: 8.9 →		2: 9.4 ↖	
	3: 10.1 ↗		3: 9.7 →	
	4: 8.2 ↓		4: 8.3 ↘	
	5: 10.2x ↗		5: 8.6 →	
	6: 9.4 ↓		6: 10.3x ←	
	7: 9.7 →		7: 9.6 ↙	
	8: 9.7 ↓		8: 9.3 ↓	
	9: 9.3 →		9: 9.0 ↑	
	10: 10.0 ↓		10: 9.6 →	
	<b>Series</b> 95.1		<b>Series</b> 93.2	
	95.1		188.3	
<b>Series 3</b> 	1: 8.4 ↓	<b>Series 4</b> 	1: 9.8 →	
	2: 9.5 →		2: 10.2x ←	
	3: 10.6x ↓		3: 9.5 ←	
	4: 10.6x ↓		4: 10.0 ↗	
	5: 10.3x ↗		5: 10.3x →	
	6: 9.9 ↗		6: 9.8 ↘	
	7: 9.4 →		7: 8.7 ↓	
	8: 10.4x →		8: 9.1 ↗	
	9: 8.2 ↑		9: 8.4 ↓	
	10: 8.0 ↙		10: 9.4 ↗	
	<b>Series</b> 95.3		<b>Series</b> 95.2	
	283.6		378.8	
<b>Series 5</b> 	1: 8.1 ←	<b>Series 6</b> 	1: 10.4x ↑	
	2: 9.4 ↙		2: 9.8 ↗	
	3: 9.9 ↑		3: 7.8 →	
	4: 10.3x ←		4: 9.5 ↖	
	5: 9.5 ←		5: 9.8 →	
	6: 10.1 ↑		6: 8.3 ↑	
	7: 7.0 →		7: 10.7x ↓	
	8: 8.8 ↗		8: 9.5 ↗	
	9: 8.5 →		9: 10.1 ↓	
	10: 9.4 →		10: 8.6 →	
	<b>Series</b> 91.0		<b>Series</b> 94.5	
	469.8		564.3	