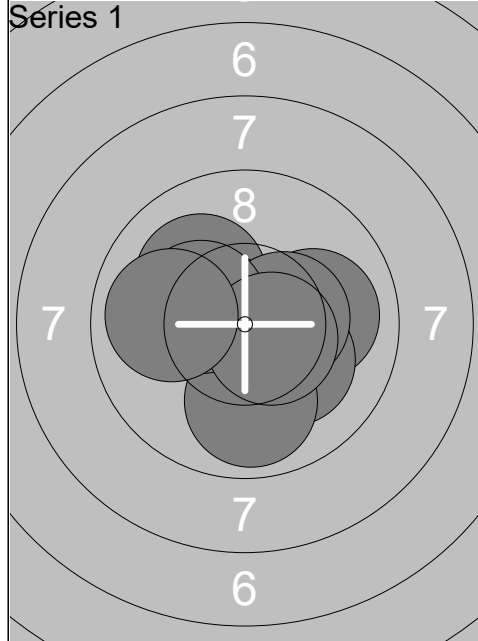


Relay	Lane	Annabelle Borved		
4	2	DEN	WJ	R
Qual Day 1		Denmark Open Air 2026		Denmark Open Air 2026
11.02.2026				
Series 1 	1: 10.1 ↖	Series 2 	1: 10.7x ↗	
	2: 10.6x ←		2: 9.9 →	
	3: 9.5 →		3: 10.3x ↓	
	4: 10.5x →		4: 10.0 ↘	
	5: 10.3x ↗		5: 10.2x ←	
	6: 10.2x ↑		6: 9.2 ↗	
	7: 10.5x ←		7: 9.6 →	
	8: 9.9 ↓		8: 9.7 ↗	
	9: 10.2x ↘		9: 10.0 ←	
	10: 9.4 ↘		10: 10.0 ↗	
	Series 101.2		Series 99.6	
	101.2		200.8	
Series 3 	1: 10.2x ↗	Series 4 	1: 9.6 ↙	
	2: 10.1 →		2: 10.5x ↓	
	3: 9.8 →		3: 9.7 ↖	
	4: 9.2 ←		4: 10.2x ←	
	5: 10.0 ↘		5: 10.6x ←	
	6: 10.7x ↓		6: 10.5x →	
	7: 9.1 →		7: 9.5 →	
	8: 10.4x ←		8: 10.2x ↓	
	9: 10.3x ↑		9: 10.5x ↘	
	10: 10.1 ↑		10: 10.3x →	
	Series 99.9		Series 101.6	
	300.7		402.3	
Series 5 	1: 10.3x ↓	Series 6 	1: 10.4x ↓	
	2: 10.0 →		2: 10.5x ↓	
	3: 10.6x ↘		3: 10.2x ↑	
	4: 9.2 ←		4: 9.9 →	
	5: 10.6x ←		5: 9.6 ←	
	6: 10.6x ↓		6: 10.4x ↑	
	7: 9.6 ←		7: 9.6 ←	
	8: 10.4x →		8: 9.5 ↑	
	9: 10.6x ↓		9: 10.7x ↖	
	10: 10.6x ↗		10: 10.0 ←	
	Series 102.5		Series 100.8	
	504.8		605.6	

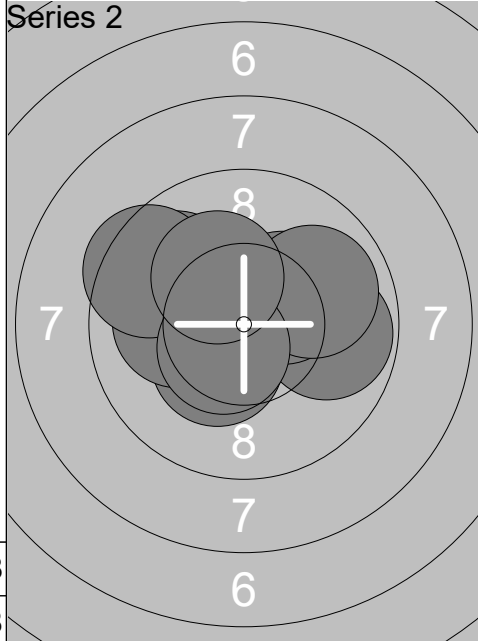
Relay	Lane	Antonie Anna Knutsen			
4	3	NOR	WJ	R	
Qual Day 1		Denmark Open Air 2026		Denmark Open Air 2026	
11.02.2026		Denmark Open Air 2026		Denmark Open Air 2026	
Series 1 	1: 10.6x ↑	Series 2 	1: 9.9 ←		
	2: 9.7 ↘		2: 10.2x ↙		
	3: 10.6x ↗		3: 9.6 →		
	4: 10.5x ↖		4: 10.1 ↘		
	5: 9.5 ←		5: 10.5x →		
	6: 10.3x ↘		6: 9.6 →		
	7: 10.0 →		7: 9.8 →		
	8: 10.5x ↖		8: 9.3 ↘		
	9: 10.4x ↗		9: 10.6x ↘		
	10: 10.2x →		10: 10.7x ↘		
	Series 102.3		Series 100.3		
	102.3		202.6		
Series 3 	1: 10.4x ↑	Series 4 	1: 9.1 →		
	2: 10.3x ↘		2: 10.5x ↓		
	3: 10.1 ←		3: 10.1 →		
	4: 9.7 →		4: 9.8 →		
	5: 8.8 ↗		5: 10.3x ↑		
	6: 10.3x ↘		6: 9.6 ←		
	7: 9.7 ↙		7: 10.6x ↗		
	8: 10.2x →		8: 9.6 ↘		
	9: 9.7 →		9: 10.1 →		
	10: 10.3x →		10: 9.8 ←		
	Series 99.5		Series 99.5		
	302.1		401.6		
Series 5 	1: 10.4x →	Series 6 	1: 10.6x ↙		
	2: 10.7x ↙		2: 10.3x ↙		
	3: 10.5x ↙		3: 10.4x →		
	4: 10.6x ↘		4: 10.0 ↑		
	5: 10.3x ↙		5: 10.7x →		
	6: 9.7 →		6: 10.6x ↙		
	7: 10.1 ↗		7: 10.2x ↑		
	8: 10.7x ↙		8: 10.5x ↘		
	9: 10.3x →		9: 10.3x ↖		
	10: 10.5x →		10: 10.8x ↗		
	Series 103.8		Series 104.4		
	505.4		609.8		

Relay	Lane	Cecilie Bugge Deichmann			
4	4	DEN		WJ	R
11.02.2026		Denmark Open Air 2026		Denmark Open Air 2026	
Series 1		1: 10.2x ↘	Series 2		1: 10.4x ↘
		2: 8.7 →			2: 10.4x ↘
		3: 10.3x ↙			3: 9.3 ←
		4: 10.8x →			4: 10.2x ↗
		5: 8.0 ↗			5: 9.8 ↗
		6: 9.8 ↗			6: 8.5 ←
		7: 10.3x ↙			7: 10.3x ↑
		8: 10.5x ↘			8: 9.8 ←
		9: 9.6 ←			9: 10.0 ↗
		10: 8.2 ←			10: 10.2x ↖
		Series 96.4			Series 98.9
		96.4			195.3
Series 3		1: 9.3 →	Series 4		1: 10.2x ↗
		2: 8.0 →			2: 9.6 ←
		3: 9.3 ←			3: 9.2 ↘
		4: 8.9 ↘			4: 7.6 ←
		5: 10.2x ↑			5: 10.5x ↙
		6: 9.9 →			6: 9.6 →
		7: 9.8 →			7: 10.1 ↘
		8: 9.9 ↘			8: 9.4 ↘
		9: 9.8 →			9: 10.0 ↙
		10: 10.1 ↗			10: 10.1 ↘
		Series 95.2			Series 96.3
		290.5			386.8
Series 5		1: 8.9 ←	Series 6		1: 10.3x ↙
		2: 7.8 ←			2: 9.4 ↗
		3: 8.4 ↘			3: 10.5x ↖
		4: 10.1 ←			4: 6.7 ←
		5: 9.5 ←			5: 6.9 ←
		6: 9.4 ↙			6: 10.4x ↘
		7: 10.5x ↙			7: 10.3x ↘
		8: 7.5 →			8: 10.2x ↘
		9: 10.4x ↑			9: 10.4x ↙
		10: 9.2 ↘			10: 8.2 →
		Series 91.7			Series 93.3
		478.5			571.8

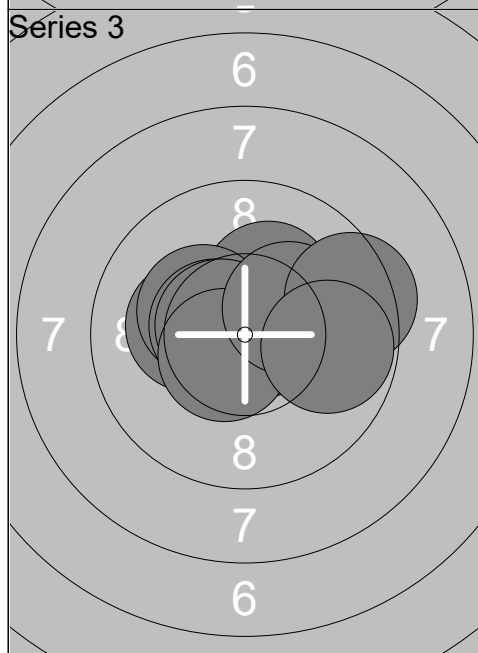
Relay	Lane	Elise Mutsaers		
4	5	NED	WJ	R
Qual Day 1	Denmark Open Air 2026		Denmark Open Air 2026	
11.02.2026	Denmark Open Air 2026		Denmark Open Air 2026	
Series 1 	1: 10.6x →	Series 2 	1: 10.8x ↘	
	2: 10.3x →		2: 10.1 ↘	
	3: 10.3x ↘		3: 10.3x ↓	
	4: 10.7x ↓		4: 10.5x ←	
	5: 10.3x ←		5: 10.5x ↖	
	6: 10.7x →		6: 10.6x →	
	7: 10.1 ←		7: 10.1 →	
	8: 10.3x ↑		8: 10.2x ↖	
	9: 10.7x ↓		9: 10.0 ←	
	10: 10.2x ↑		10: 10.5x →	
	Series 104.2	Series 103.6		
	104.2	207.8		
Series 3 	1: 10.2x →	Series 4 	1: 10.1 ↓	
	2: 10.5x ↑		2: 10.6x ↘	
	3: 10.5x →		3: 10.8x ←	
	4: 10.2x ←		4: 10.2x ↖	
	5: 10.6x ↖		5: 10.3x ↑	
	6: 10.7x ↘		6: 10.5x →	
	7: 10.8x ↘		7: 10.7x →	
	8: 10.4x ↗		8: 9.6 ←	
	9: 10.2x ↓		9: 10.7x ↓	
	10: 10.2x →		10: 10.8x →	
	Series 104.3	Series 104.3		
	312.1	416.4		
Series 5 	1: 10.3x ↖	Series 6 	1: 10.3x ↗	
	2: 10.5x ↖		2: 10.7x ↖	
	3: 9.9 ←		3: 10.5x ↖	
	4: 10.3x ←		4: 10.6x ↓	
	5: 10.2x →		5: 10.5x ↘	
	6: 10.8x ↗		6: 10.6x ←	
	7: 10.5x ←		7: 10.4x →	
	8: 9.9 ↗		8: 10.4x ↓	
	9: 10.1 →		9: 10.7x ↑	
	10: 10.7x ↗		10: 10.7x ↘	
	Series 103.2	Series 105.4		
	519.6	625.0		



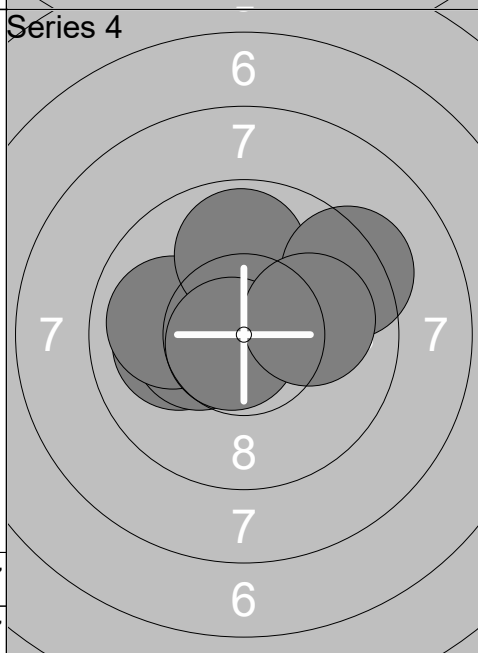
1:	10.8x ↘
2:	10.1 ↖
3:	10.6x ←
4:	10.0 →
5:	10.2x ↘
6:	10.4x →
7:	9.9 ↓
8:	10.3x ←
9:	10.5x ↘
10:	10.0 ←
Series	102.8
	102.8



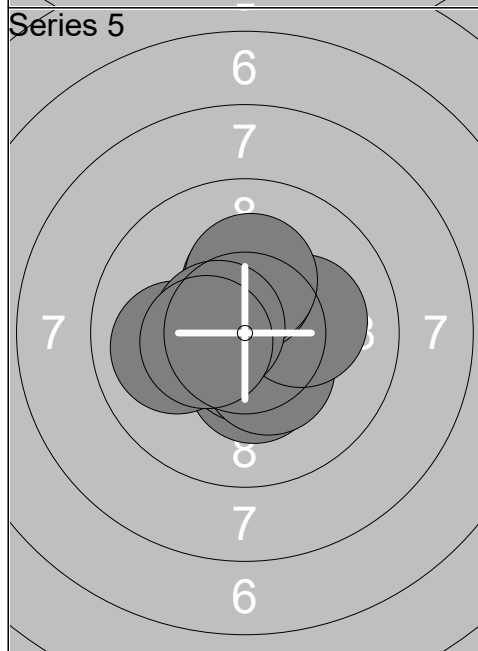
1:	9.8 →
2:	10.7x ←
3:	10.3x ↗
4:	9.9 ↗
5:	10.4x ↘
6:	9.8 ↖
7:	10.1 ←
8:	9.5 ↖
9:	10.5x ↘
10:	10.2x ↖
Series	101.2
	204.0



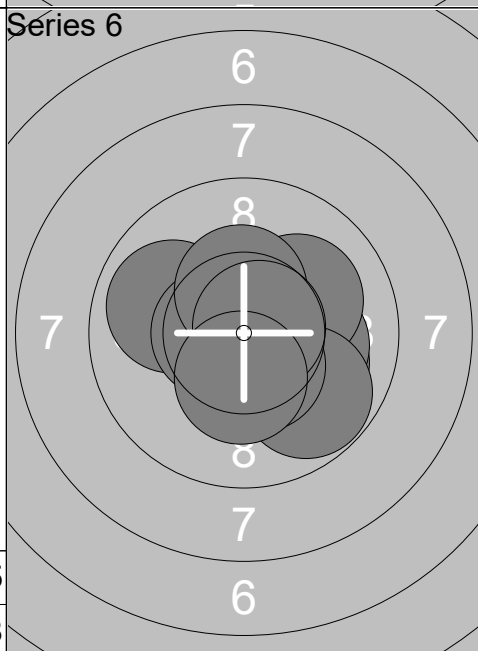
1:	10.8x →
2:	10.2x ←
3:	10.2x ↗
4:	10.3x ↖
5:	10.5x ←
6:	10.6x ←
7:	10.6x ↘
8:	10.3x ↗
9:	9.4 →
10:	9.8 →
Series	102.7
	306.7



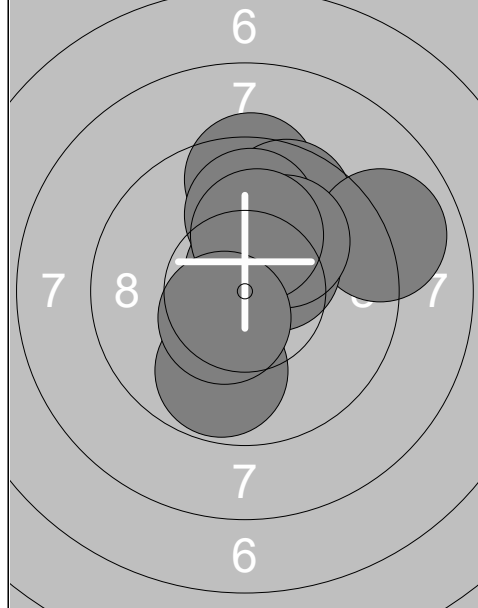
1:	10.3x ←
2:	10.3x ↑
3:	10.6x ↑
4:	10.1 ←
5:	10.3x ←
6:	10.0 ←
7:	9.9 ↑
8:	10.7x ↘
9:	9.3 ↗
10:	10.1 →
Series	101.6
	408.3



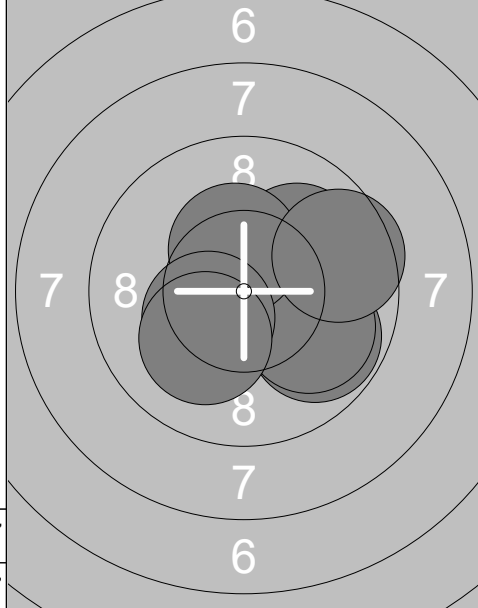
1:	10.4x ←
2:	10.4x ↘
3:	10.0 ←
4:	10.6x ↘
5:	10.4x ↘
6:	10.2x →
7:	10.3x ↑
8:	10.2x ↑
9:	10.6x ←
10:	10.4x ←
Series	103.5
	511.8



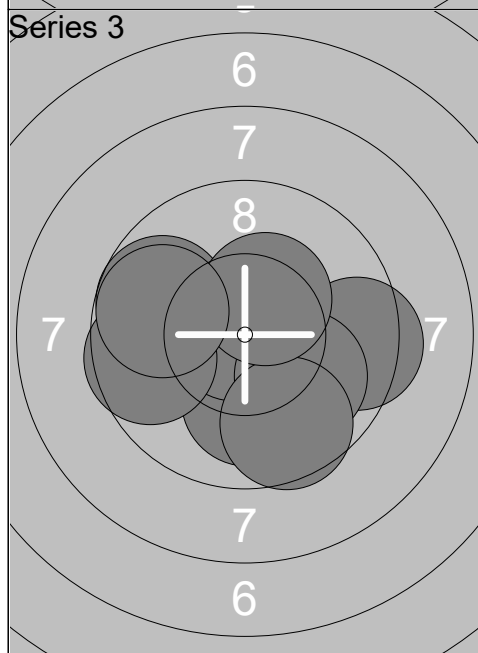
1:	10.0 ↘
2:	10.1 →
3:	9.9 ←
4:	10.6x ←
5:	10.1 ↗
6:	9.8 ↘
7:	10.4x ↑
8:	10.5x ↘
9:	10.7x →
10:	10.4x ↘
Series	102.5
	614.3



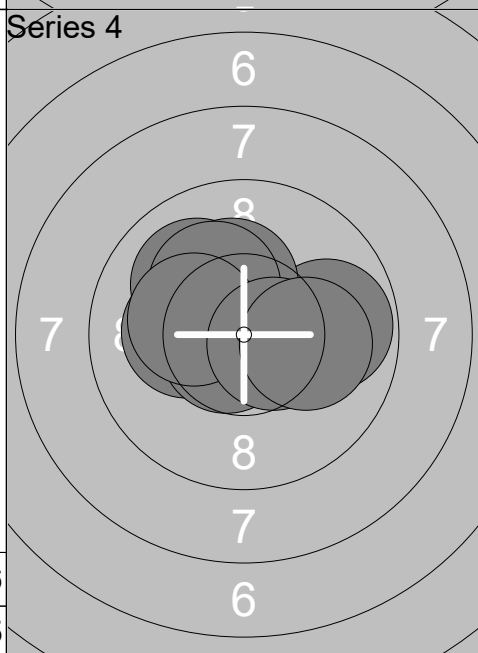
1:	9.4	↑
2:	9.7	↗
3:	9.0	→
4:	10.7x	↑
5:	9.9	↑
6:	10.4x	↗
7:	10.1	↗
8:	9.8	↓
9:	10.2x	↑
10:	10.5x	↘
Series		99.7
		99.7



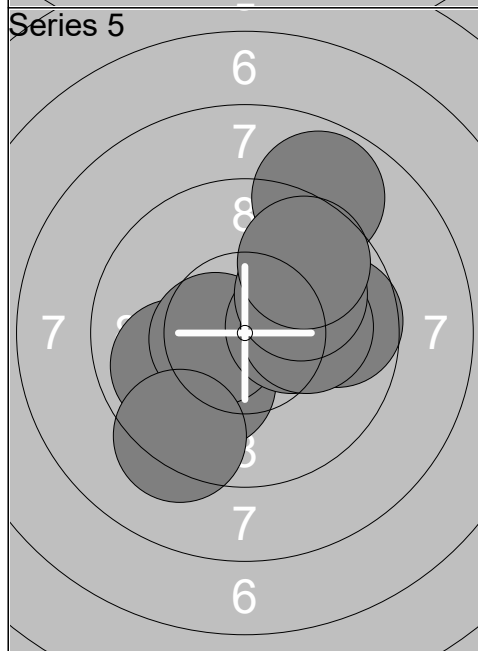
1:	10.0	↗
2:	9.8	↘
3:	10.9x	
4:	10.8x	←
5:	10.2x	→
6:	10.0	↘
7:	10.4x	↑
8:	9.6	→
9:	10.4x	↙
10:	10.1	↘
Series		102.2
		201.9



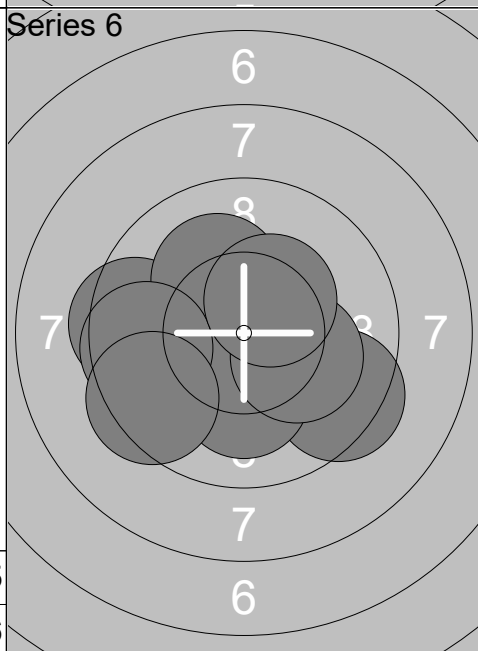
1:	10.1	→
2:	10.1	↓
3:	10.8x	←
4:	9.4	→
5:	10.0	↘
6:	9.6	↓
7:	9.6	←
8:	9.8	←
9:	10.4x	↗
10:	9.8	←
Series		99.6
		301.5



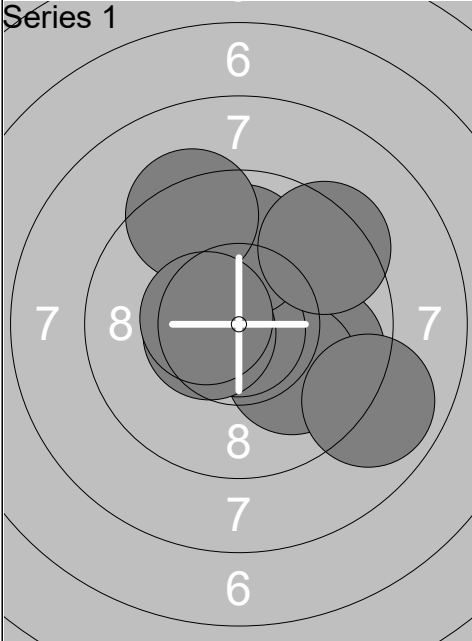
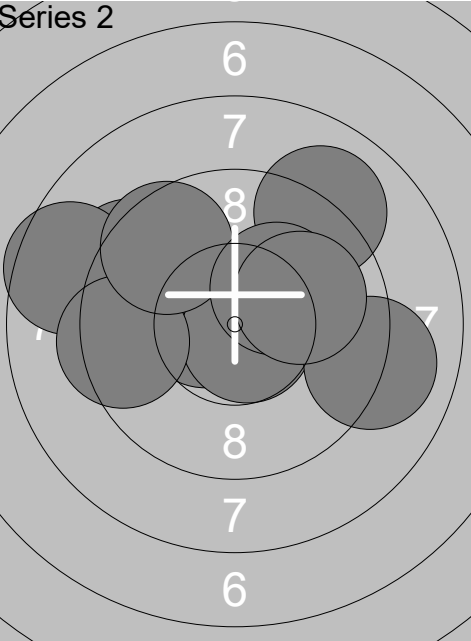
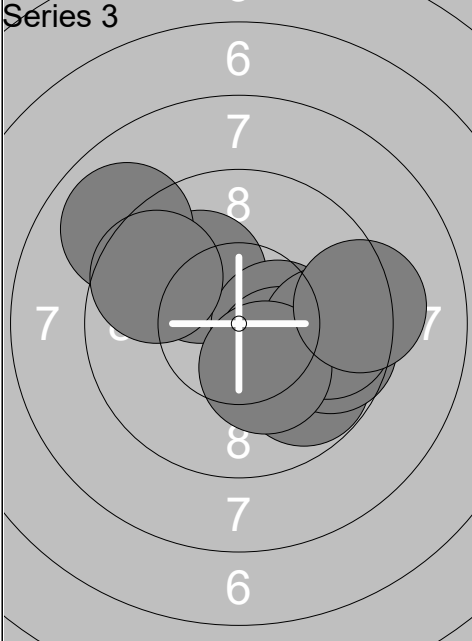
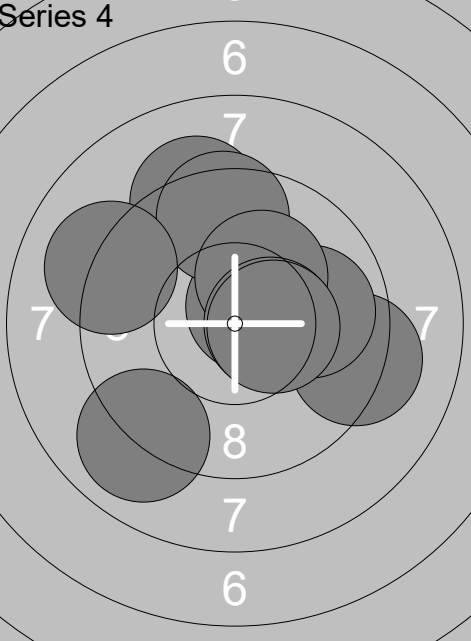
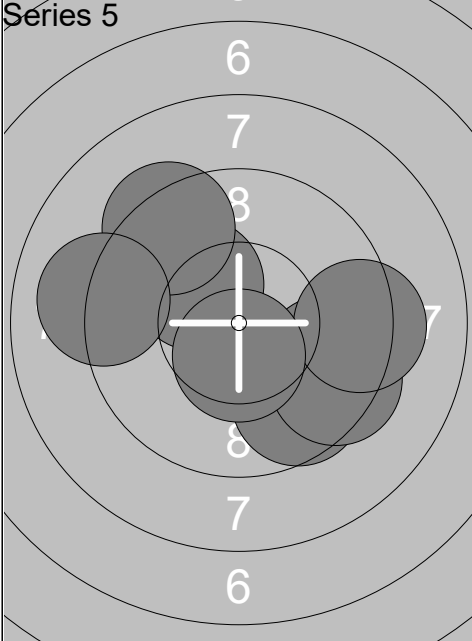
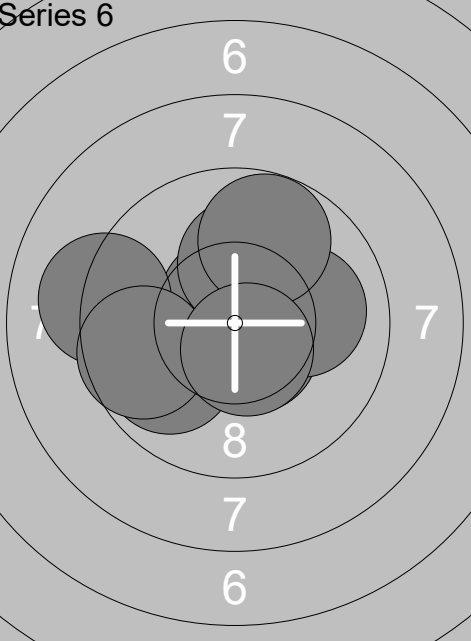
1:	10.0	↖
2:	9.8	→
3:	10.7x	←
4:	10.2x	↑
5:	10.2x	←
6:	10.7x	↙
7:	10.2x	↗
8:	10.2x	←
9:	10.5x	→
10:	10.1	→
Series		102.6
		404.1



1:	9.7	→
2:	10.1	↘
3:	9.9	←
4:	10.5x	←
5:	10.3x	→
6:	9.3	↘
7:	8.9	↗
8:	10.1	→
9:	10.0	↗
10:	9.7	↗
Series		98.5
		502.6

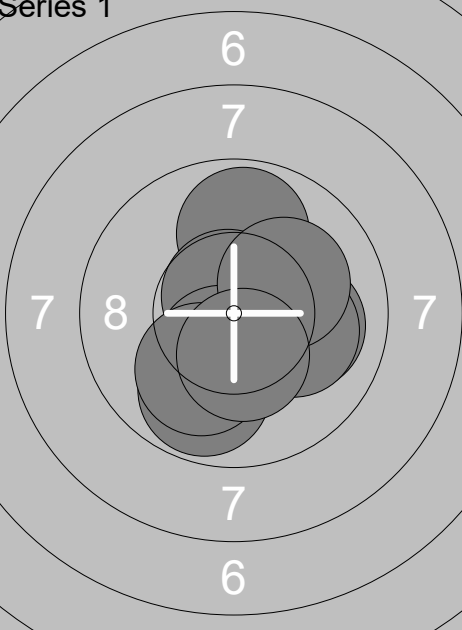
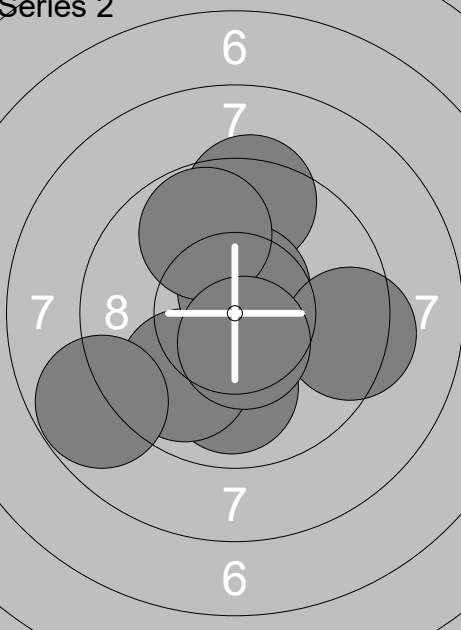
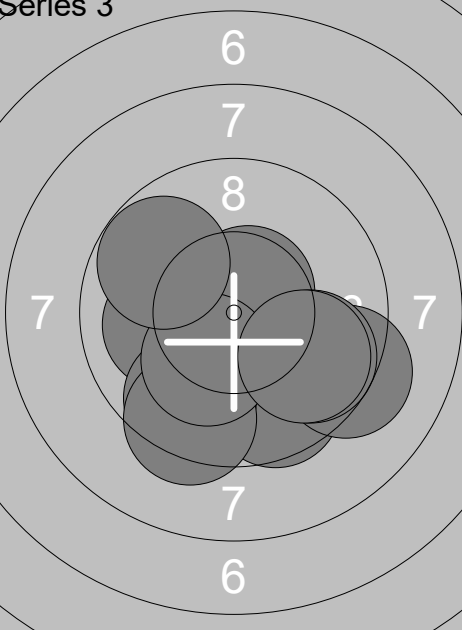
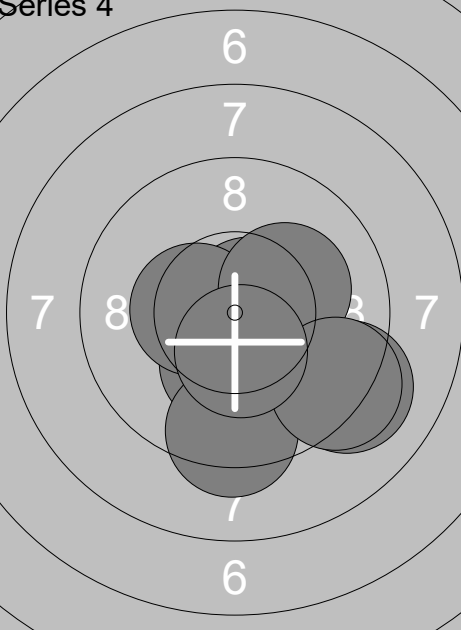
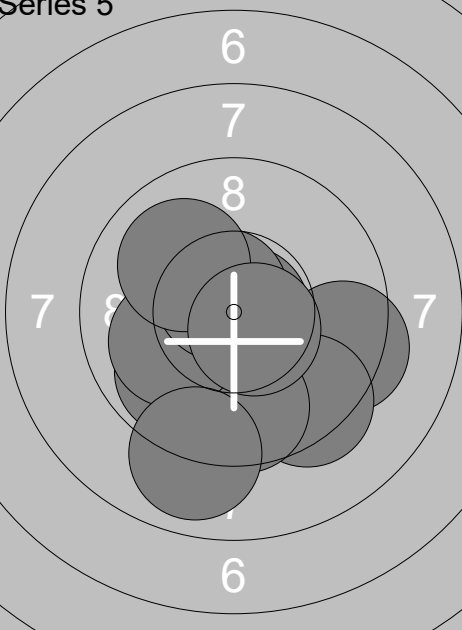
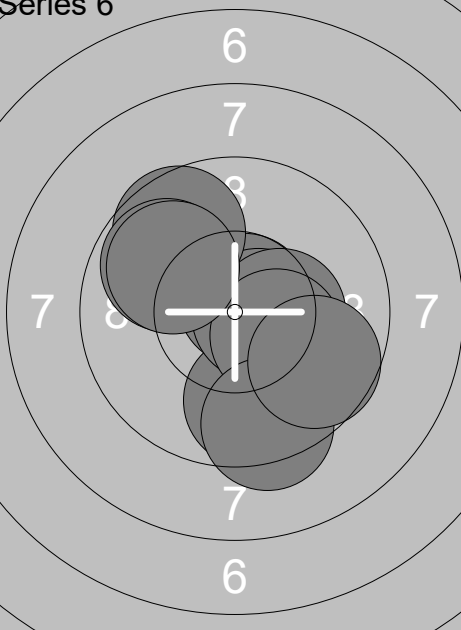


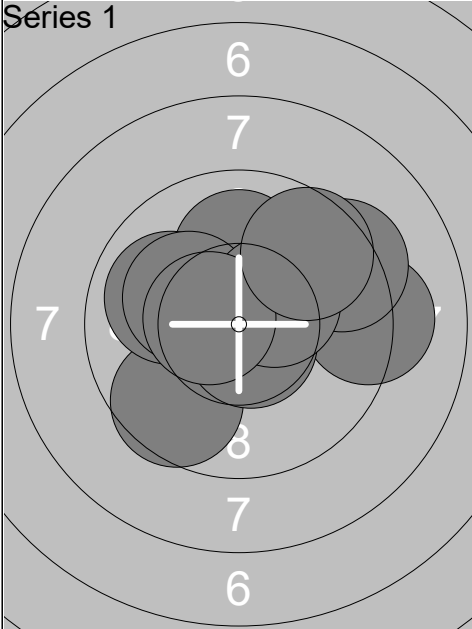
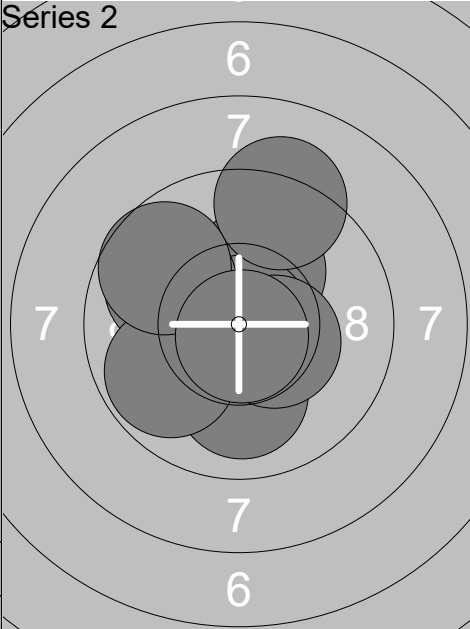
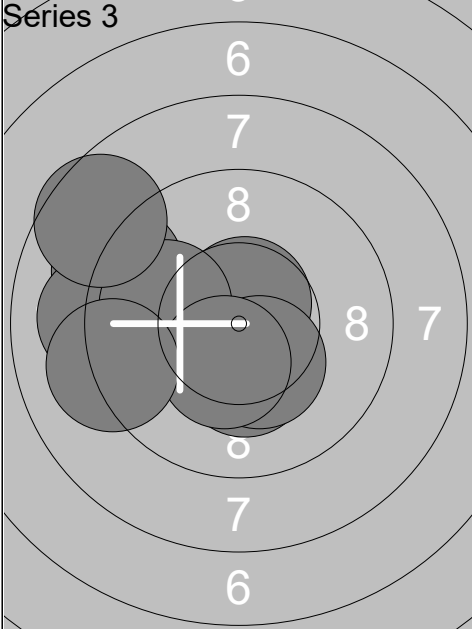
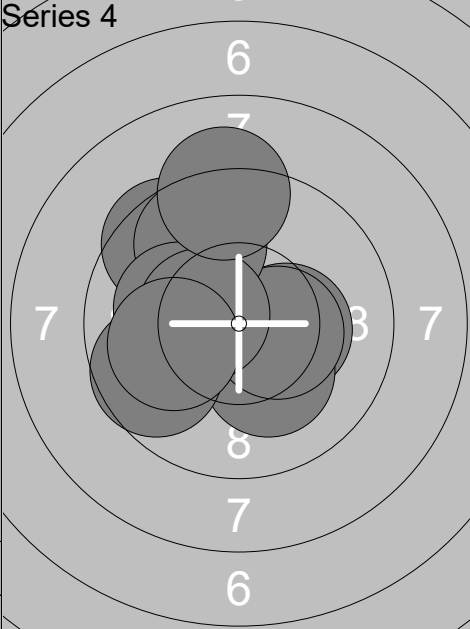
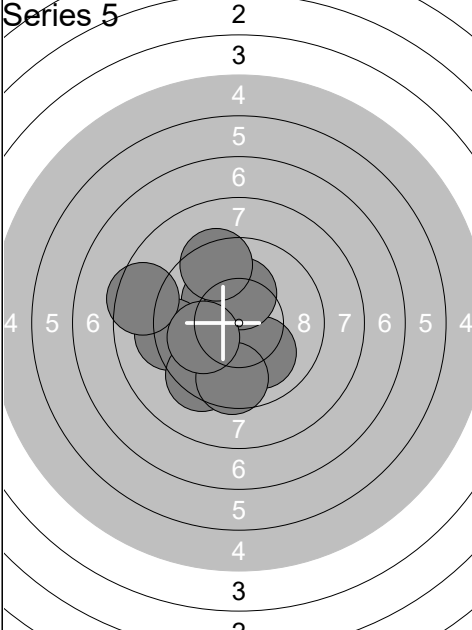
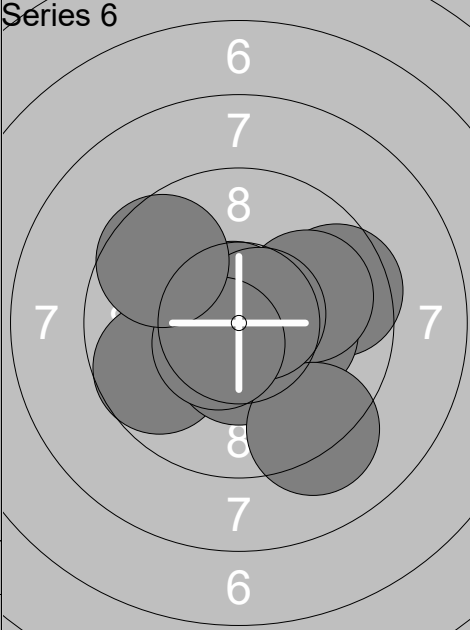
1:	9.4	↘
2:	10.1	←
3:	10.5x	→
4:	9.5	←
5:	10.1	↗
6:	10.2x	↓
7:	10.2x	→
8:	9.6	←
9:	10.4x	↗
10:	9.4	↙
Series		99.4
		602.0

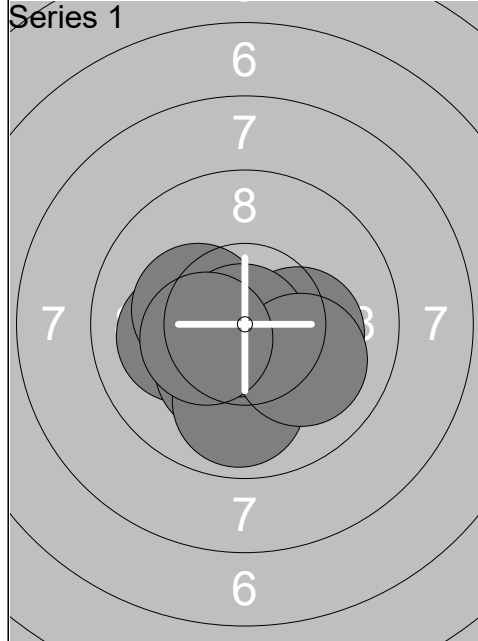
Relay	Lane	Freya Jelby		
4	8	DEN	WJ	R
Qual Day 1		Denmark Open Air 2026		Denmark Open Air 2026
11.02.2026		Denmark Open Air 2026		Denmark Open Air 2026
Series 1 	1: 10.7x ↘	Series 2 	1: 9.3 ↖	
	2: 9.8 →		2: 9.0 ↗	
	3: 10.0 ↘		3: 8.6 ↖	
	4: 10.9x ↓		4: 10.6x ←	
	5: 9.9 ↑		5: 10.7x ↘	
	6: 9.4 ↗		6: 9.4 ←	
	7: 10.5x ←		7: 9.6 ↗	
	8: 8.9 ↘		8: 9.0 →	
	9: 9.4 ↗		9: 10.2x ↗	
	10: 10.5x ←		10: 10.0 →	
	Series 100.0		Series 96.4	
	100.0		196.4	
Series 3 	1: 10.1 ↗	Series 4 	1: 9.2 ↑	
	2: 9.0 ↗		2: 9.2 →	
	3: 9.8 ↘		3: 10.6x ↗	
	4: 10.4x →		4: 9.5 ↑	
	5: 10.3x ↘		5: 9.1 ↖	
	6: 9.7 ↗		6: 9.0 ↘	
	7: 9.7 →		7: 9.9 →	
	8: 9.8 →		8: 10.2x ↗	
	9: 10.3x ↘		9: 10.5x →	
	10: 9.3 →		10: 10.4x →	
	Series 98.4		Series 97.6	
	294.8		392.4	
Series 5 	1: 9.8 ↘	Series 6 	1: 10.3x ↗	
	2: 10.2x ↗		2: 10.6x ↗	
	3: 9.6 ↘		3: 10.6x ↘	
	4: 9.7 ↘		4: 9.2 ←	
	5: 9.4 ↘		5: 9.9 ↖	
	6: 0.0		6: 10.1 ↑	
	7: 9.3 →		7: 10.1 →	
	8: 10.5x ↓		8: 9.6 ←	
	9: 9.4 ↗		9: 9.8 ↗	
	10: 9.1 ←		10: 10.6x ↘	
	Series 87.0		Series 100.8	
	479.4		580.2	

Relay	Lane	Hilde Skrede Valvik			
4	9	NOR		WJ	R
Qual Day 1		Denmark Open Air 2026		Denmark Open Air 2026	
11.02.2026		Denmark Open Air 2026		Denmark Open Air 2026	
Series 1 	1: 8.6 ←	Series 2 	1: 9.6 ←		
	2: 8.9 ↘		2: 10.2x →		
	3: 10.6x ↗		3: 10.2x →		
	4: 10.0 ←		4: 9.5 ↑		
	5: 9.5 ↑		5: 10.4x ←		
	6: 10.5x →		6: 9.7 ←		
	7: 9.4 ↓		7: 10.1 →		
	8: 9.4 ↑		8: 8.8 ←		
	9: 10.1 ←		9: 10.3x ↗		
	10: 9.3 →		10: 10.8x ↗		
	Series 96.3	Series 99.6			
	96.3	195.9			
Series 3 	1: 9.7 ←	Series 4 	1: 10.3x ↑		
	2: 10.1 ↑		2: 9.8 ↗		
	3: 10.1 ↗		3: 10.3x ←		
	4: 10.2x ↗		4: 9.0 ↗		
	5: 9.4 ←		5: 10.3x ↗		
	6: 10.6x ↘		6: 10.0 ↗		
	7: 9.9 →		7: 10.3x ↗		
	8: 8.4 ↑		8: 9.9 ↓		
	9: 8.9 ↗		9: 9.1 →		
	10: 7.9 ↗		10: 9.4 ↗		
	Series 95.2	Series 98.4			
	291.1	389.5			
Series 5 	1: 9.8 ↗	Series 6 	1: 10.3x ↘		
	2: 9.9 ↓		2: 9.4 ↓		
	3: 10.9x ↑		3: 10.5x ↗		
	4: 10.7x ←		4: 9.2 ←		
	5: 10.2x ↗		5: 9.4 ←		
	6: 10.2x ↗		6: 9.7 ↗		
	7: 9.7 ↓		7: 10.7x ↗		
	8: 8.7 ↘		8: 9.9 →		
	9: 8.9 ↓		9: 10.5x →		
	10: 8.3 →		10: 9.7 ↑		
	Series 97.3	Series 99.3			
	486.8	586.1			

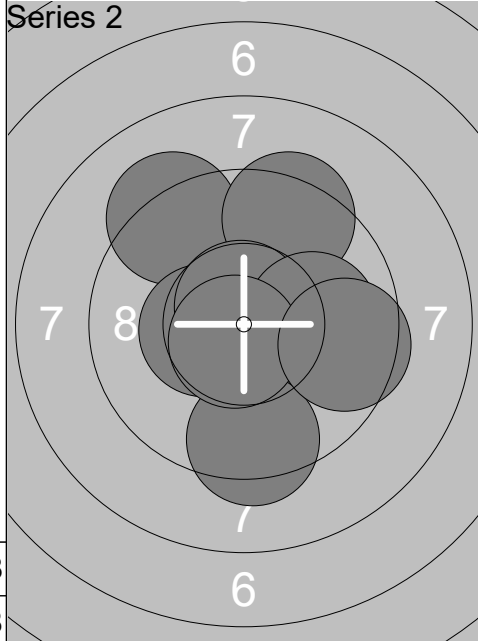
11.02.2026	Denmark Open Air 2026	Denmark Open Air 2026
------------	-----------------------	-----------------------

Series 1 	1: 10.9x ↘ 2: 10.1 → 3: 9.9 ↑ 4: 10.7x ↑ 5: 10.4x ↓ 6: 10.1 → 7: 9.8 ↓ 8: 10.1 ↓ 9: 10.2x ↗ 10: 10.4x ↓ <hr/> Series 102.6 <hr/> 102.6	Series 2 	1: 10.1 ↓ 2: 10.1 ↑ 3: 10.0 ↓ 4: 9.4 ↑ 5: 9.9 ↘ 6: 8.8 ↙ 7: 10.6x ↑ 8: 9.8 ↑ 9: 9.4 → 10: 10.6x ↓ <hr/> Series 98.7 <hr/> 201.3
Series 3 	1: 10.1 ← 2: 9.6 ↓ 3: 9.6 ↓ 4: 9.2 ↘ 5: 9.4 ↓ 6: 10.6x ↗ 7: 10.2x ↓ 8: 9.8 ↖ 9: 9.8 ↘ 10: 9.8 ↘ <hr/> Series 98.1 <hr/> 299.4	Series 4 	1: 10.3x ↓ 2: 10.6x ↘ 3: 10.7x ↗ 4: 10.4x ← 5: 10.3x ↓ 6: 9.1 ↘ 7: 10.2x ↗ 8: 9.4 ↓ 9: 9.3 ↘ 10: 10.4x ↓ <hr/> Series 100.7 <hr/> 400.1
Series 5 	1: 9.9 ↘ 2: 9.4 → 3: 9.4 ↓ 4: 9.7 ↓ 5: 10.8x → 6: 10.1 ← 7: 10.7x ↗ 8: 10.0 ↗ 9: 8.9 ↓ 10: 10.6x ↘ <hr/> Series 99.5 <hr/> 499.6	Series 6 	1: 9.7 ↓ 2: 10.8x ↗ 3: 10.6x → 4: 10.4x → 5: 10.3x ↘ 6: 9.4 ↓ 7: 9.6 ↗ 8: 9.9 ↗ 9: 9.9 ↖ 10: 9.7 ↘ <hr/> Series 100.3 <hr/> 599.9

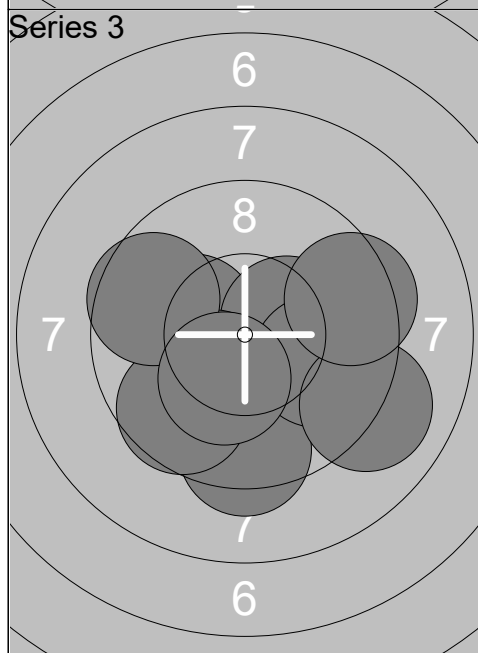
Relay	Lane	Ida Romvig Bukbjerg		
4	11	DEN	WJ	R
Qual Day 1		Denmark Open Air 2026		Denmark Open Air 2026
11.02.2026				
Series 1 	1: 9.6 ↙	Series 2 	1: 10.5x ↓	
	2: 10.0 ↑		2: 10.2x ↗	
	3: 9.2 →		3: 10.8x ↗	
	4: 9.3 ↗		4: 9.9 ↖	
	5: 10.0 ←		5: 10.0 ↓	
	6: 10.2x ↖		6: 9.8 ↖	
	7: 10.7x ↘		7: 10.4x →	
	8: 10.4x ↗		8: 9.2 ↑	
	9: 10.6x ←		9: 9.7 ↖	
	10: 9.6 ↗		10: 10.8x ↓	
	Series 99.6		Series 101.3	
	99.6		200.9	
Series 3 	1: 9.1 ↖	Series 4 	1: 10.3x →	
	2: 10.7x ↗		2: 10.2x ↘	
	3: 9.9 ←		3: 9.5 ↖	
	4: 9.1 ←		4: 9.6 ↖	
	5: 10.3x ↓		5: 10.4x →	
	6: 10.4x ↘		6: 9.7 ↗	
	7: 9.9 ←		7: 10.1 ←	
	8: 10.4x ↘		8: 10.5x ←	
	9: 9.2 ←		9: 9.2 ↑	
	10: 8.6 ↖		10: 10.0 ←	
	Series 97.6		Series 99.5	
	298.5		398.0	
Series 5 	1: 10.2x ↖	Series 6 	1: 9.6 →	
	2: 9.7 ↘		2: 10.7x ↗	
	3: 10.1 ↘		3: 10.2x →	
	4: 9.2 ←		4: 9.7 ↖	
	5: 9.4 ↘		5: 10.5x ↓	
	6: 10.2x ↑		6: 10.0 →	
	7: 8.5 ←		7: 9.2 ↘	
	8: 9.6 ↓		8: 10.6x →	
	9: 10.0 ←		9: 10.5x ↖	
	10: 9.4 ↗		10: 9.6 ↖	
	Series 96.3		Series 100.6	
	494.3		594.9	



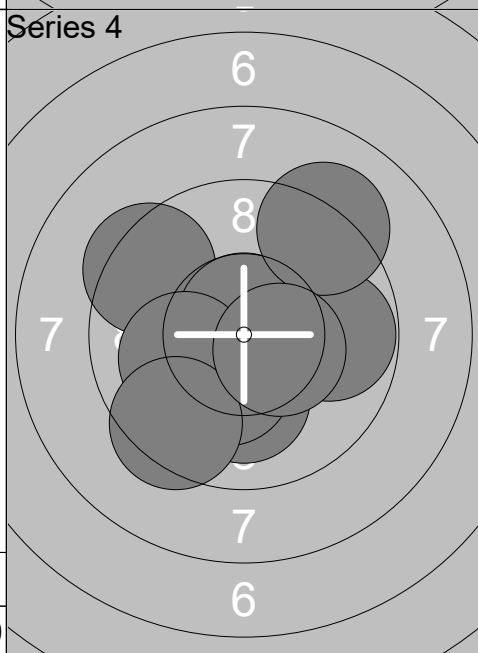
1:	10.2x	→
2:	10.1	←
3:	10.4x	↙
4:	10.3x	↖
5:	10.2x	→
6:	10.3x	↘
7:	9.9	↓
8:	10.9x	↘
9:	10.1	↘
10:	10.4x	↖
Series	102.8	
	102.8	



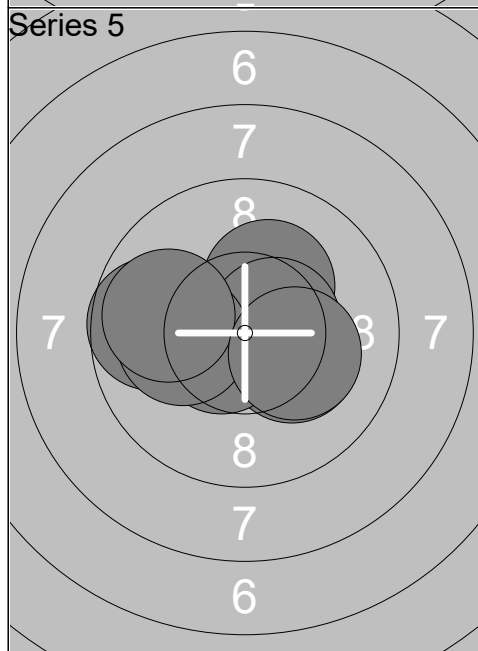
1:	10.2x	→
2:	10.5x	↑
3:	9.2	↖
4:	10.4x	↖
5:	9.4	↗
6:	10.7x	↑
7:	9.4	↓
8:	10.0	→
9:	10.7x	↘
10:	9.6	→
Series	100.1	
	202.9	



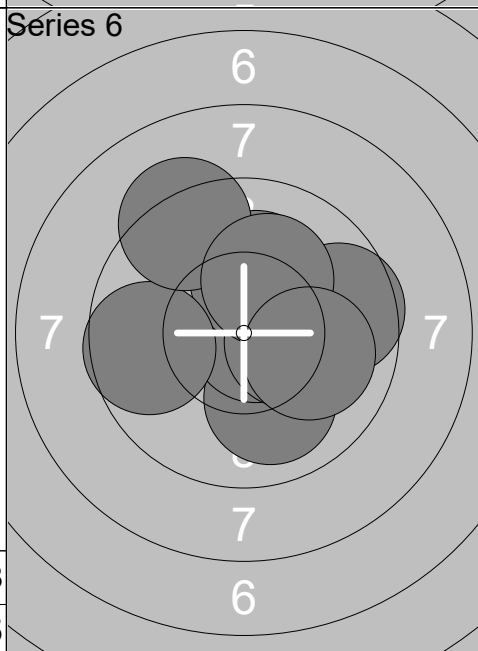
1:	10.2x	↖
2:	9.4	↓
3:	10.4x	→
4:	10.2x	↘
5:	9.6	↘
6:	9.6	↖
7:	9.9	→
8:	9.1	↘
9:	9.4	→
10:	10.3x	↘
Series	98.1	
	301.0	



1:	9.4	↖
2:	9.8	→
3:	10.1	↓
4:	10.2x	↘
5:	10.7x	↑
6:	10.3x	↘
7:	10.1	↖
8:	9.5	↘
9:	9.2	↗
10:	10.4x	→
Series	99.7	
	400.7	

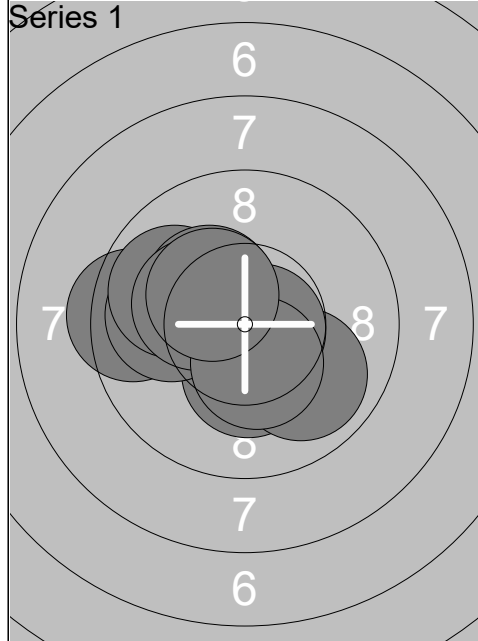


1:	10.6x	↗
2:	10.2x	↗
3:	10.7x	→
4:	10.3x	→
5:	10.6x	↖
6:	9.7	←
7:	10.5x	→
8:	10.1	←
9:	9.9	←
10:	10.2x	→
Series	102.8	
	503.5	

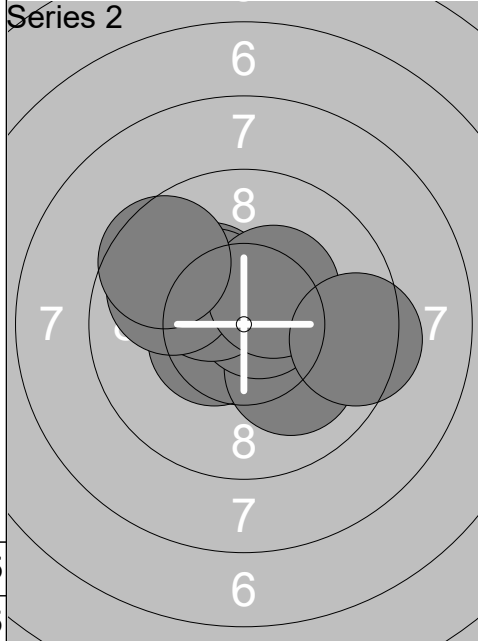


1:	10.0	↓
2:	10.8x	→
3:	9.9	→
4:	10.2x	↑
5:	10.3x	→
6:	9.7	←
7:	9.3	↖
8:	9.6	→
9:	10.2x	↗
10:	10.0	→
Series	100.0	
	603.5	

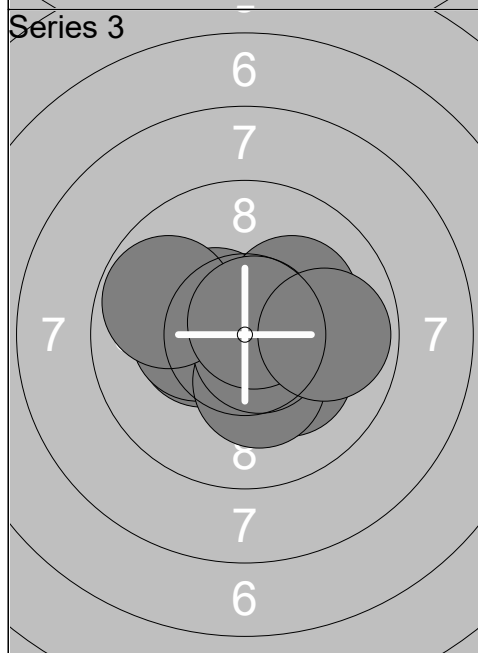
Relay	Lane	Isabella Houlberg			
4	13	DEN	WJ	R	
11.02.2026	Denmark Open Air 2026	Denmark Open Air 2026			
Series 1		1: 8.5 → 2: 10.4x ↓ 3: 9.8 → 4: 9.3 → 5: 9.0 ↓ 6: 10.5x → 7: 9.0 ← 8: 10.3x ↓ 9: 8.9 ← 10: 8.7 ←	Series 2		1: 10.6x ↑ 2: 10.2x ↓ 3: 9.8 ↑ 4: 10.3x → 5: 10.3x ← 6: 9.6 ↓ 7: 9.3 ← 8: 7.7 ← 9: 10.7x → 10: 10.4x ↗
	Series 94.4		Series 98.9		
	94.4		193.3		
Series 3		1: 10.8x ↓ 2: 9.0 → 3: 10.2x ↓ 4: 10.3x ↗ 5: 10.4x ↗ 6: 9.6 → 7: 10.1 ← 8: 9.2 ↓ 9: 8.9 → 10: 10.1 ←	Series 4		1: 9.4 ↓ 2: 9.2 ← 3: 10.0 ↑ 4: 8.0 ↗ 5: 10.5x ↓ 6: 9.1 → 7: 8.5 → 8: 9.8 ← 9: 10.0 → 10: 10.3x ↖
	Series 98.6		Series 94.8		
	291.9		386.7		
Series 5		1: 9.8 → 2: 9.5 ↑ 3: 9.8 ← 4: 10.7x ↗ 5: 9.9 → 6: 8.4 → 7: 9.9 ↗ 8: 9.3 → 9: 10.6x → 10: 10.1 ↓	Series 6		1: 9.3 ← 2: 9.6 → 3: 7.8 → 4: 9.8 → 5: 9.8 ↗ 6: 9.9 ↓ 7: 9.8 ↗ 8: 10.0 ↓ 9: 10.8x ↓ 10: 10.2x ←
	Series 98.0		Series 97.0		
	484.7		581.7		



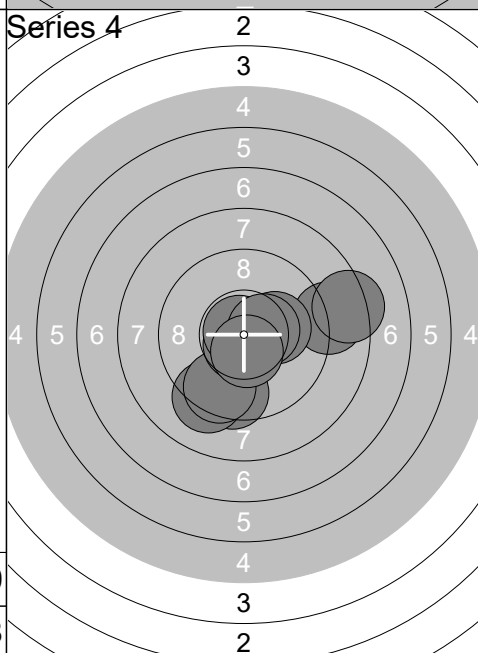
1:	10.3x ↓
2:	9.9 ↘
3:	10.7x →
4:	9.4 ←
5:	10.0 ←
6:	9.9 ↖
7:	10.3x ↗
8:	10.2x ↖
9:	10.4x ↓
10:	10.4x ↖
Series	101.5
	101.5



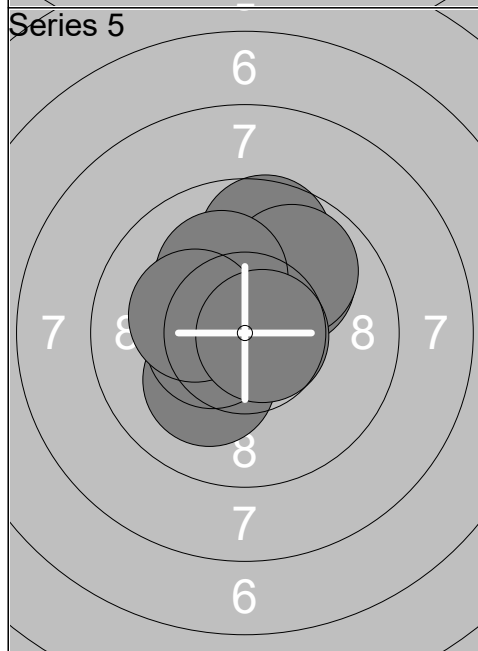
1:	10.5x ↖
2:	10.1 ↘
3:	10.0 ↖
4:	10.7x ↗
5:	10.3x ↖
6:	10.4x ↖
7:	9.9 ←
8:	10.4x ↗
9:	9.6 ↖
10:	9.4 →
Series	101.3
	202.8



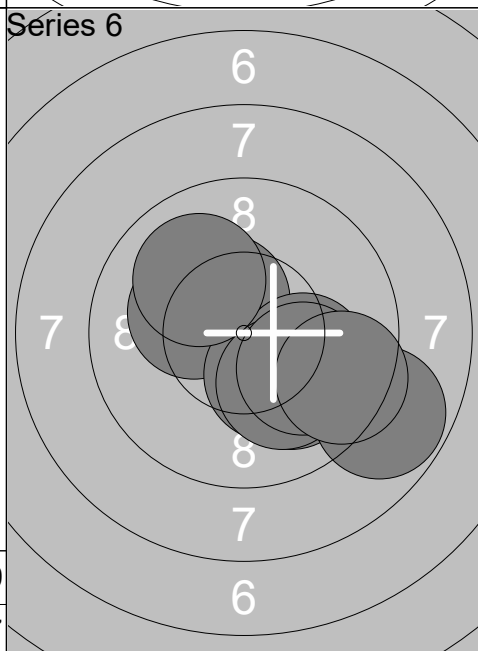
1:	10.4x ←
2:	10.5x ↖
3:	10.2x ↘
4:	10.3x ←
5:	10.2x ↗
6:	10.3x ↓
7:	10.7x ↘
8:	9.8 ←
9:	10.7x ↗
10:	9.9 →
Series	103.0
	305.8



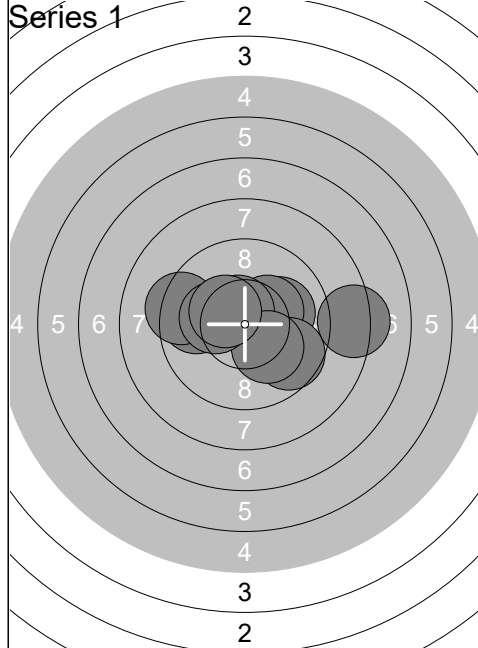
1:	9.5 ↓
2:	9.2 ↓
3:	9.5 ↓
4:	8.8 →
5:	10.7x ↓
6:	10.2x →
7:	8.3 →
8:	10.8x ↖
9:	10.5x →
10:	10.5x ↓
Series	98.0
	403.8



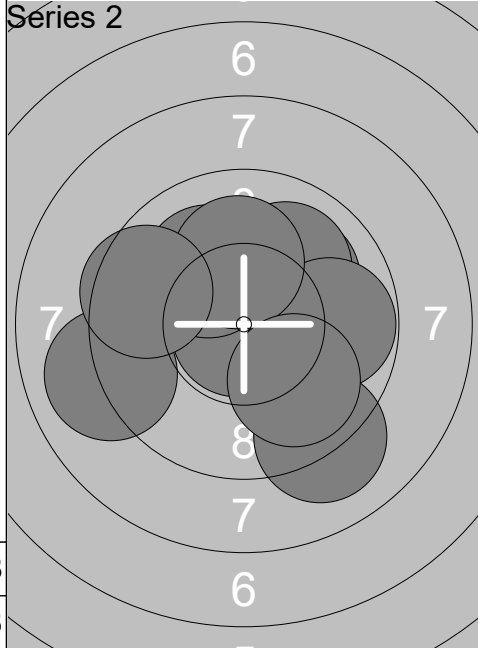
1:	10.3x ↖
2:	10.0 ↗
3:	9.7 ↑
4:	10.1 ↓
5:	10.4x ↖
6:	9.9 ↗
7:	10.5x ←
8:	10.1 ↗
9:	10.2x ↖
10:	10.7x →
Series	101.9
	505.7



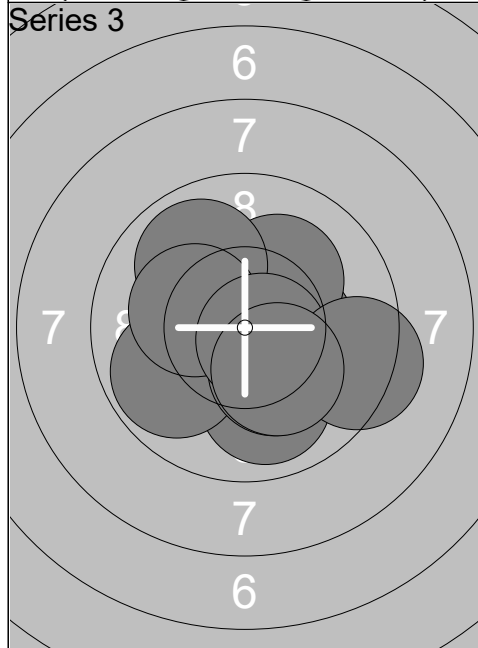
1:	10.4x ↗
2:	10.0 ↘
3:	10.2x ↖
4:	10.3x ↓
5:	10.1 →
6:	10.1 ↓
7:	8.8 ↓
8:	10.0 ↓
9:	9.5 ↘
10:	10.0 ↗
Series	99.4
	605.1



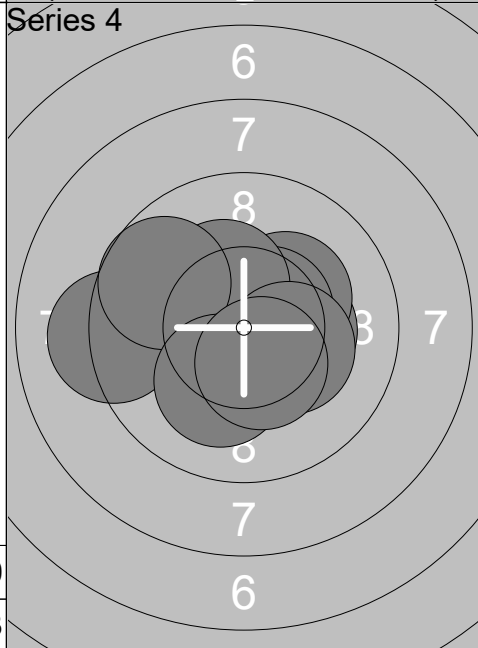
1: 8.3 →
2: 10.1 →
3: 10.3x ↗
4: 9.6 ↘
5: 10.6x ↗
6: 10.2x ↘
7: 9.8 ←
8: 9.3 ←
9: 10.2x ←
10: 10.4x ↖
Series 98.8
98.8



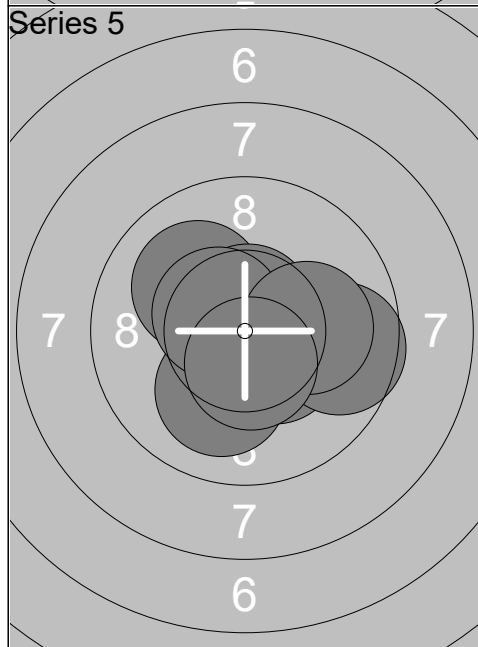
1: 9.1 ↘
2: 10.9x ↘
3: 10.0 ↗
4: 10.1 ↖
5: 10.0 ↗
6: 9.8 →
7: 10.1 ↑
8: 9.0 ←
9: 9.6 ←
10: 9.9 ↘
Series 98.5
197.3



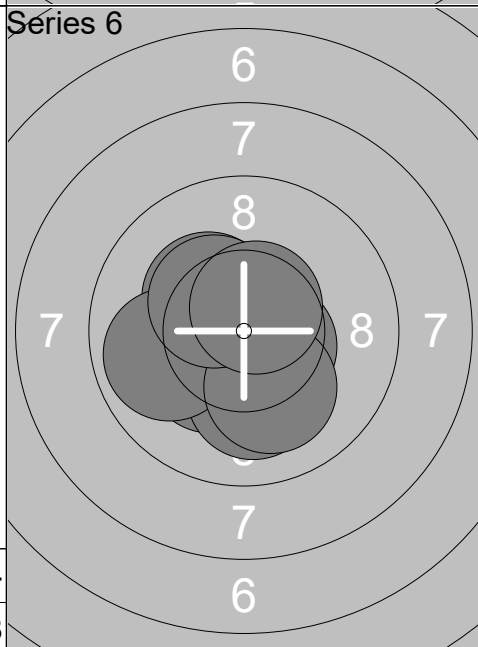
1: 10.0 ↘
2: 10.4x →
3: 9.9 ↖
4: 10.3x ↘
5: 10.2x ↗
6: 9.9 ↗
7: 10.2x ↖
8: 10.6x ↘
9: 9.3 →
10: 10.2x ↘
Series 101.0
298.3



1: 10.3x →
2: 10.8x ↖
3: 10.3x ↗
4: 10.6x ↗
5: 10.3x ↖
6: 10.3x →
7: 9.2 ←
8: 9.7 ↖
9: 10.2x ↘
10: 10.4x ↘
Series 102.1
400.4

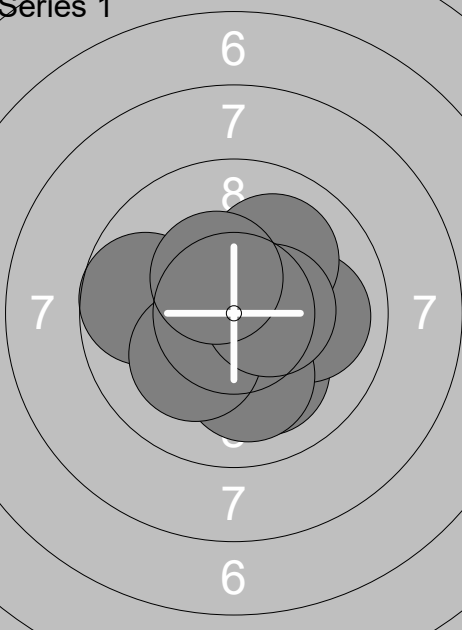
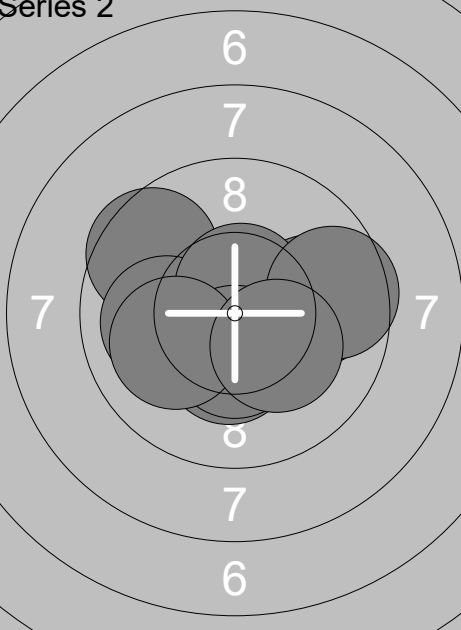
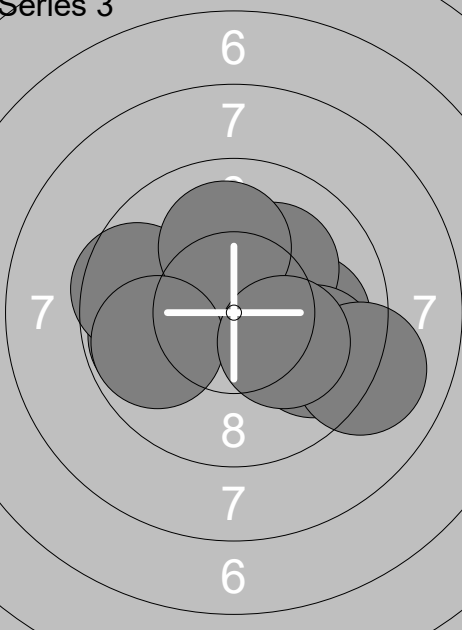
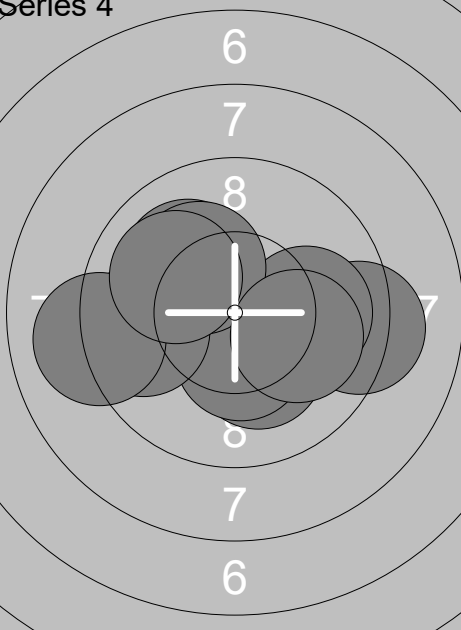
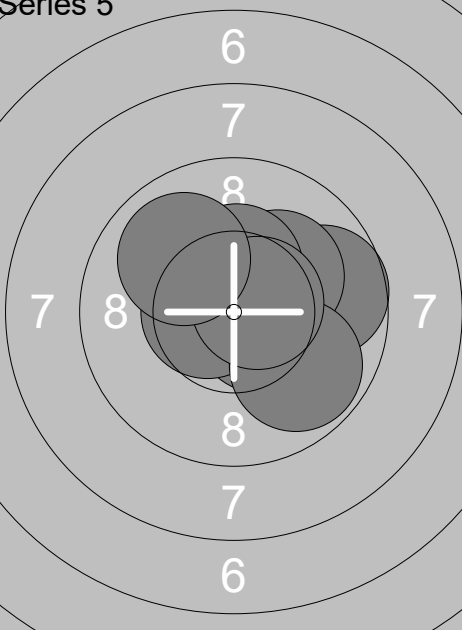
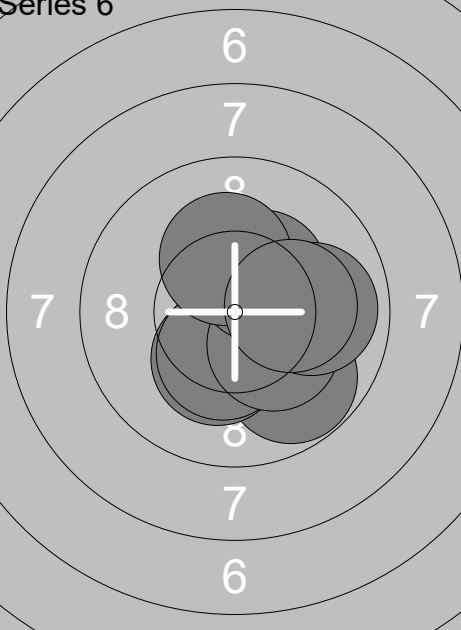


1: 10.8x ↖
2: 10.1 ↘
3: 10.1 ↖
4: 10.4x ↘
5: 10.5x →
6: 9.7 →
7: 10.7x ↑
8: 10.5x ↖
9: 10.1 →
10: 10.5x ↘
Series 103.4
503.8

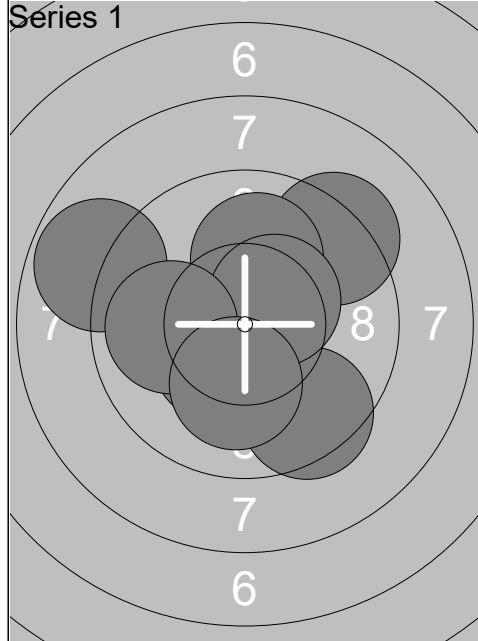


1: 10.3x ↖
2: 10.4x ↘
3: 10.6x →
4: 10.3x ↖
5: 10.9x ↗
6: 10.1 ↘
7: 9.9 ←
8: 10.1 ↘
9: 10.4x ↖
10: 10.6x ↗
Series 103.6
607.4

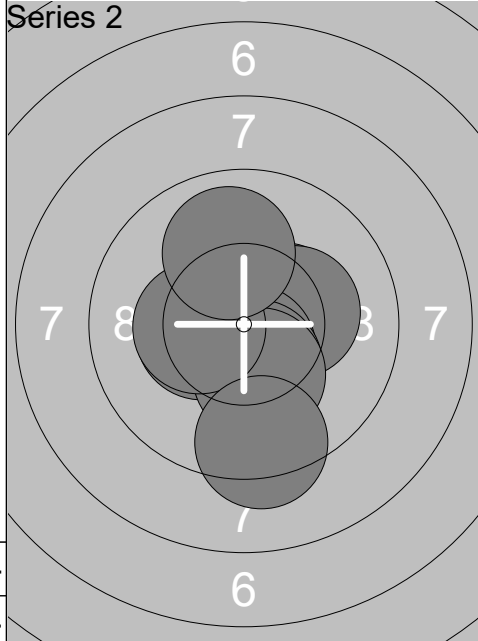
11.02.2026	Denmark Open Air 2026	Denmark Open Air 2026
------------	-----------------------	-----------------------

Series 1 	1: 10.0 ← 2: 10.1 ↓ 3: 10.6x ← 4: 9.7 ← 5: 10.0 → 6: 10.1 ↗ 7: 10.1 ↓ 8: 10.2x ↙ 9: 10.5x → 10: 10.4x ↖ <hr/> Series 101.7 101.7	Series 2 	1: 9.6 ↖ 2: 9.9 → 3: 10.6x ↗ 4: 10.0 ← 5: 10.3x ↓ 6: 10.6x ↗ 7: 9.6 → 8: 10.4x ↓ 9: 10.0 ↙ 10: 10.3x ↘ <hr/> Series 101.3 203.0
Series 3 	1: 9.8 ← 2: 10.3x ↗ 3: 10.0 → 4: 10.1 ↗ 5: 9.6 ← 6: 10.1 ↑ 7: 9.8 → 8: 9.1 → 9: 9.8 ← 10: 10.2x ↘ <hr/> Series 98.8 301.8	Series 4 	1: 10.2x ↓ 2: 10.1 ↗ 3: 9.3 → 4: 10.0 → 5: 10.4x ↓ 6: 9.7 ← 7: 10.2x ↖ 8: 9.1 ← 9: 10.1 → 10: 10.0 ↖ <hr/> Series 99.1 400.9
Series 5 	1: 9.7 → 2: 10.5x ↘ 3: 10.7x ↖ 4: 10.8x ↑ 5: 10.2x ↗ 6: 10.4x ↑ 7: 10.6x ← 8: 9.8 ↘ 9: 10.6x → 10: 9.9 ↖ <hr/> Series 103.2 504.1	Series 6 	1: 9.8 ↓ 2: 10.3x ↓ 3: 10.8x → 4: 10.6x ↗ 5: 10.4x ↓ 6: 10.3x ↘ 7: 10.3x ↗ 8: 10.2x ↑ 9: 9.9 → 10: 10.2x → <hr/> Series 102.8 606.9

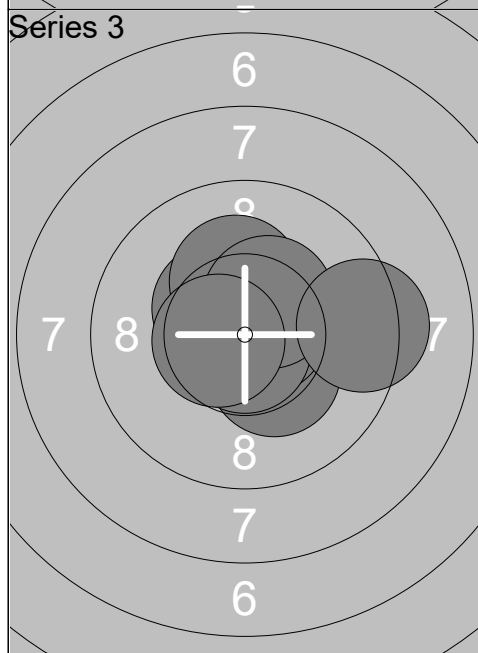
Relay	Lane	Leonora Sørli Kristensen			
4	17	NOR	WJ	R	
Qual Day 1		Denmark Open Air 2026		Denmark Open Air 2026	
11.02.2026		Denmark Open Air 2026		Denmark Open Air 2026	
Series 1 	1: 10.1 ↙	Series 2 	1: 10.6x ➡		
	2: 10.4x ↙		2: 10.7x ↗		
	3: 10.7x ➡		3: 10.5x ↗		
4: 10.5x ↗	4: 10.5x ↗	4: 10.5x ↗	4: 10.5x ↗		
5: 10.5x ↘	5: 10.4x ↗	5: 10.4x ↗	5: 10.4x ↗		
6: 10.5x ↗	6: 10.2x ↙	6: 10.2x ↙	6: 10.2x ↙		
7: 10.8x ➡	7: 9.6 ↙	7: 9.6 ↙	7: 9.6 ↙		
8: 9.9 ↗	8: 10.8x ↙	8: 10.8x ↙	8: 10.8x ↙		
9: 10.1 ↗	9: 10.4x ➡	9: 10.4x ➡	9: 10.4x ➡		
10: 10.5x ➡	10: 10.2x ↗	10: 10.2x ↗	10: 10.2x ↗		
Series 104.0	Series 103.9				
104.0	207.9				
Series 3 	1: 10.7x ↘	Series 4 	1: 9.9 ↗		
	2: 10.1 ↘		2: 9.9 ➡		
	3: 10.5x ➡		3: 10.1 ➡		
4: 10.2x ↗	4: 10.3x ↗	4: 10.3x ↗	4: 10.3x ↗		
5: 10.2x ↗	5: 10.2x ↗	5: 10.2x ↗	5: 10.2x ↗		
6: 9.8 ➡	6: 10.3x ↗	6: 10.3x ↗	6: 10.3x ↗		
7: 10.6x ↗	7: 10.1 ↗	7: 10.1 ↗	7: 10.1 ↗		
8: 10.4x ↙	8: 10.6x ↘	8: 10.6x ↘	8: 10.6x ↘		
9: 10.5x ↘	9: 10.7x ↘	9: 10.7x ↘	9: 10.7x ↘		
10: 9.7 ↗	10: 10.5x ↙	10: 10.5x ↙	10: 10.5x ↙		
Series 102.7	Series 102.6				
310.6	413.2				
Series 5 	1: 10.0 ↘	Series 6 	1: 9.4 ↙		
	2: 10.7x ↗		2: 10.2x ↘		
	3: 10.0 ↘		3: 10.7x ↙		
4: 9.8 ↘	4: 9.7 ↙	4: 9.7 ↙	4: 9.7 ↙		
5: 10.5x ↙	5: 10.4x ↗	5: 10.4x ↗	5: 10.4x ↗		
6: 10.8x ↙	6: 10.2x ↗	6: 10.2x ↗	6: 10.2x ↗		
7: 10.7x ↙	7: 10.8x ↙	7: 10.8x ↙	7: 10.8x ↙		
8: 10.2x ↘	8: 10.6x ↙	8: 10.6x ↙	8: 10.6x ↙		
9: 10.3x ↘	9: 10.1 ↙	9: 10.1 ↙	9: 10.1 ↙		
10: 10.7x ↗	10: 9.9 ↙	10: 9.9 ↙	10: 9.9 ↙		
Series 103.7	Series 102.0				
516.9	618.9				



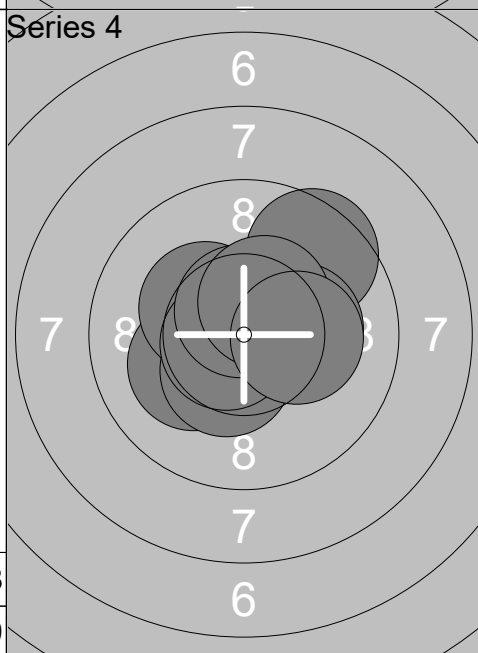
1:	8.8	↖
2:	10.4x	↙
3:	10.5x	↗
4:	9.3	↗
5:	9.5	↘
6:	10.4x	↗
7:	10.1	↑
8:	10.4x	↗
9:	9.9	←
10:	10.1	↓
Series	99.4	
	99.4	



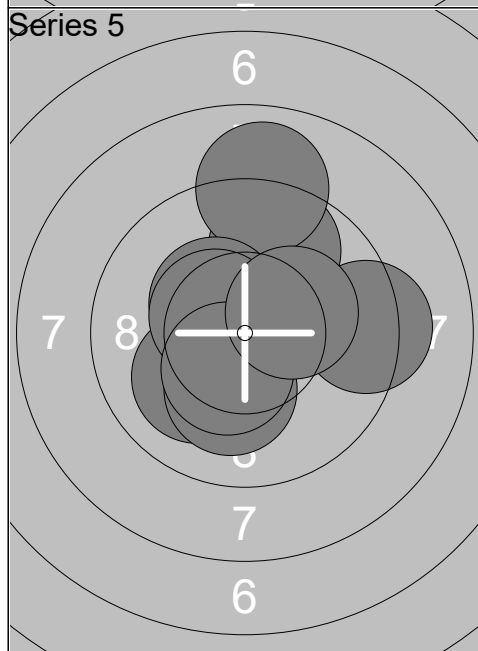
1:	10.6x	↑
2:	10.4x	→
3:	10.4x	←
4:	10.3x	→
5:	10.6x	↓
6:	10.4x	↓
7:	10.3x	↓
8:	10.4x	←
9:	10.0	↑
10:	9.3	↓
Series	102.7	
	202.1	



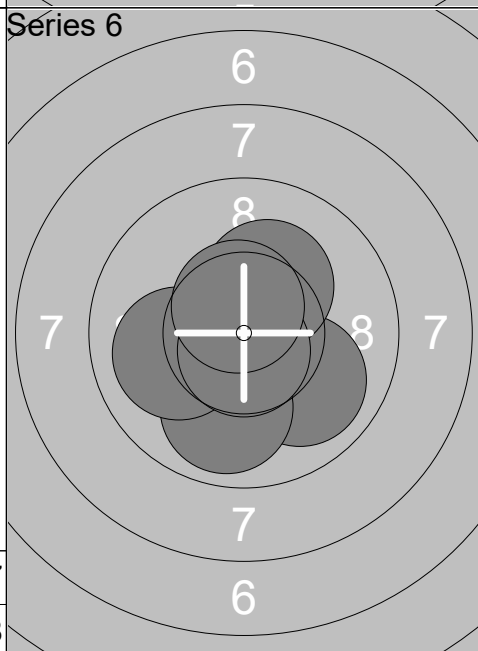
1:	10.6x	→
2:	10.4x	↖
3:	10.5x	↑
4:	10.3x	↘
5:	10.2x	↑
6:	10.7x	→
7:	10.8x	↓
8:	10.4x	↗
9:	10.6x	←
10:	9.3	→
Series	103.8	
	305.9	



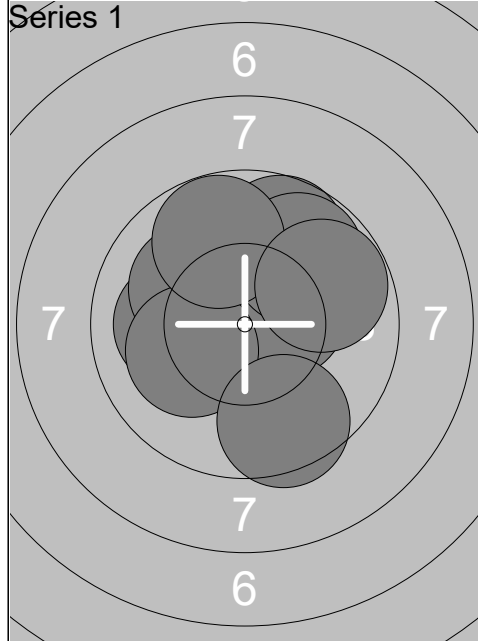
1:	10.2x	↖
2:	10.7x	→
3:	10.3x	↖
4:	10.4x	↘
5:	10.7x	↖
6:	9.5	↗
7:	10.6x	↑
8:	10.2x	→
9:	10.4x	↗
10:	10.2x	→
Series	103.2	
	409.1	



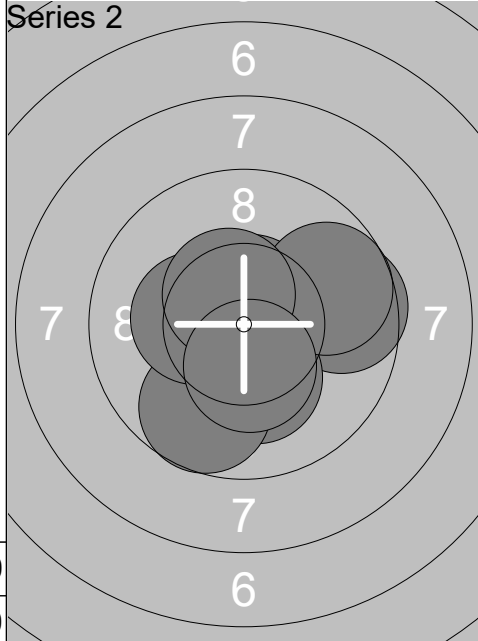
1:	10.7x	↑
2:	10.1	↖
3:	9.8	↑
4:	10.2x	↘
5:	9.0	↑
6:	10.4x	↖
7:	10.5x	↖
8:	9.3	→
9:	10.4x	↘
10:	10.3x	→
Series	100.7	
	509.8	



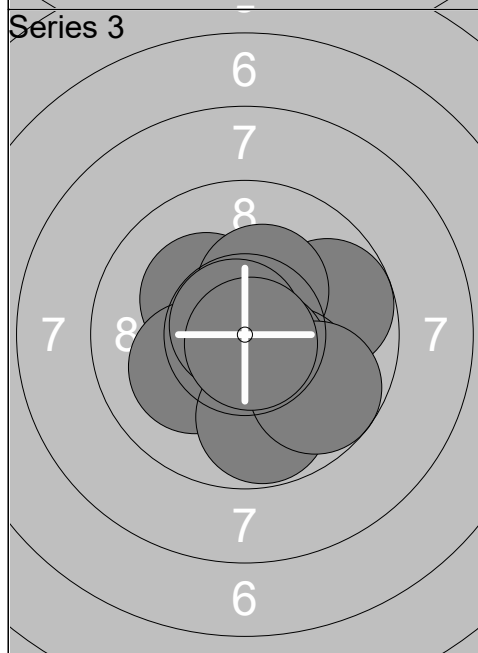
1:	10.8x	↗
2:	10.4x	↘
3:	10.0	↘
4:	10.7x	↖
5:	10.2x	↗
6:	10.2x	↘
7:	9.9	↓
8:	10.0	←
9:	10.7x	↓
10:	10.6x	↑
Series	103.5	
	613.3	



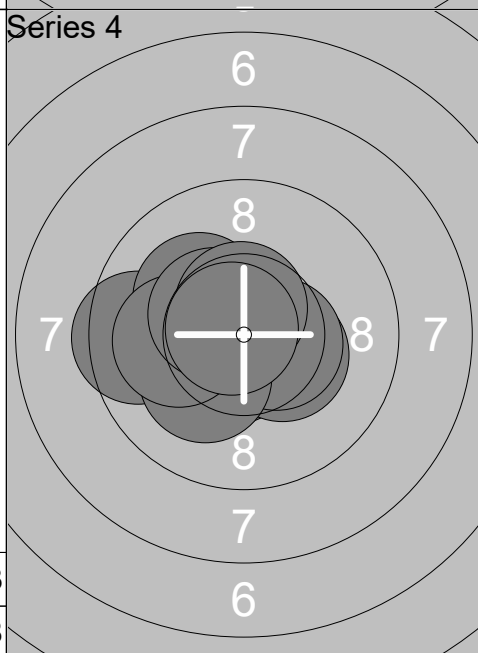
1:	10.7x ↖
2:	10.1 ←
3:	10.1 ↖
4:	9.7 ↑
5:	10.4x →
6:	9.8 ↗
7:	10.1 ←
8:	9.8 ↑
9:	9.8 ↗
10:	9.5 ↓
Series	100.0
	100.0



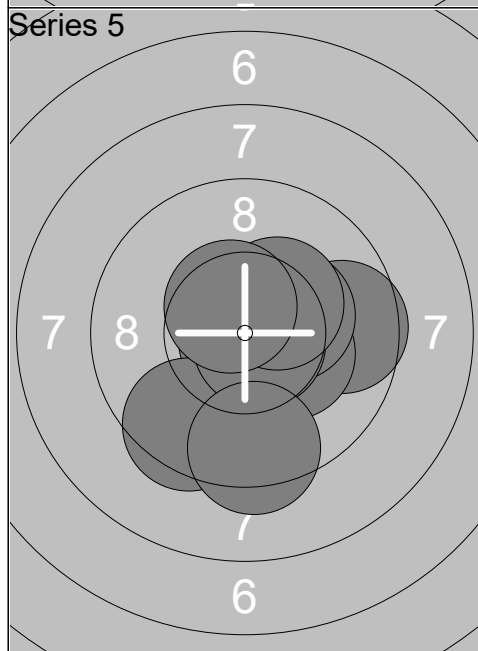
1:	9.6 →
2:	10.2x ↓
3:	10.6x ↗
4:	9.7 ↓
5:	10.8x ↓
6:	10.7x ↖
7:	10.3x ↖
8:	9.7 →
9:	10.5x ↖
10:	10.4x ↓
Series	102.5
	202.5



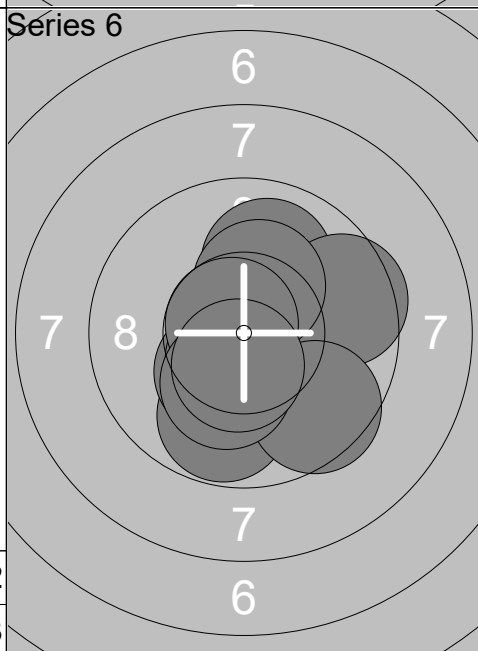
1:	10.2x ↖
2:	10.1 ←
3:	9.8 →
4:	10.3x ↗
5:	10.2x ↓
6:	10.6x ↓
7:	9.8 ↓
8:	9.7 ↓
9:	10.8x ↖
10:	10.8x ↓
Series	102.3
	304.8



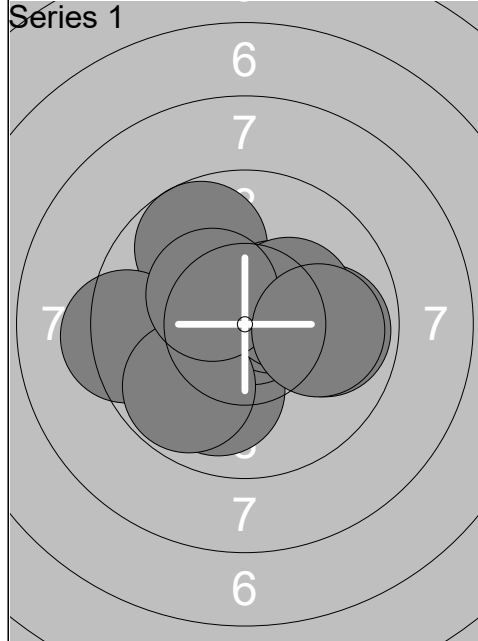
1:	10.6x ↓
2:	10.3x →
3:	10.5x →
4:	9.5 ←
5:	10.2x ↖
6:	10.2x ↖
7:	10.1 ←
8:	10.5x ↖
9:	10.6x ↑
10:	10.8x ↖
Series	103.3
	408.1



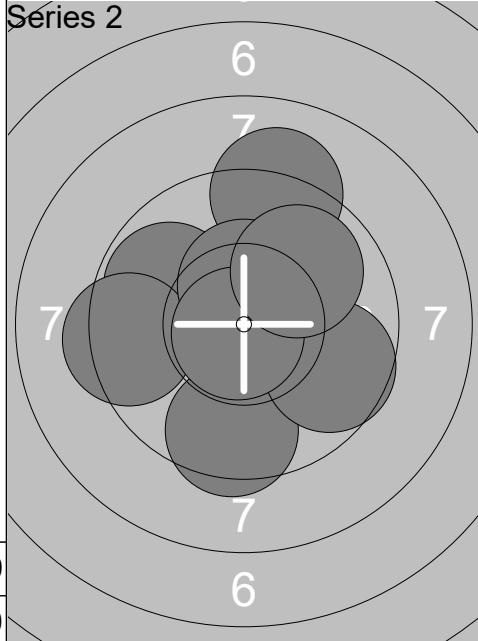
1:	9.6 →
2:	10.9x ↓
3:	9.5 ↓
4:	10.3x →
5:	10.6x ↑
6:	10.3x →
7:	10.7x →
8:	10.4x ↗
9:	9.4 ↓
10:	10.5x ↖
Series	102.2
	510.3



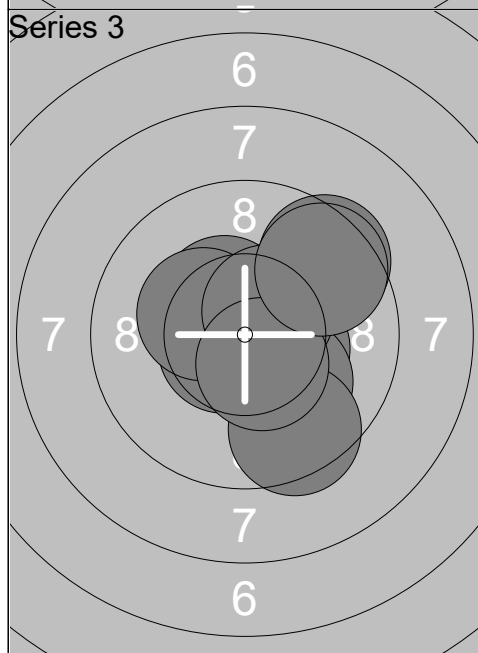
1:	9.8 ↓
2:	10.0 ↑
3:	10.4x ↓
4:	10.6x ↓
5:	9.6 →
6:	10.3x ↑
7:	10.7x ↖
8:	9.6 ↓
9:	10.2x ↓
10:	10.5x ↓
Series	101.7
	612.0



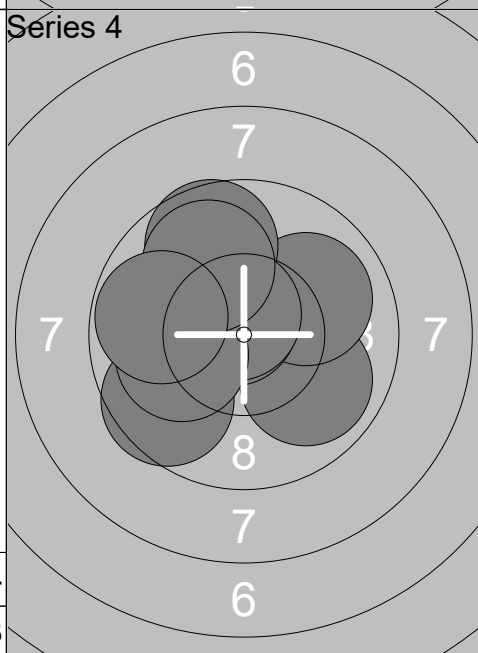
1:	9.8 ↖
2:	10.0 ↓
3:	10.9x ↗
4:	10.5x ↗
5:	9.3 ←
6:	9.9 →
7:	9.8 ↓
8:	10.3x ↗
9:	10.4x ↖
10:	10.0 →
Series	100.9
	100.9



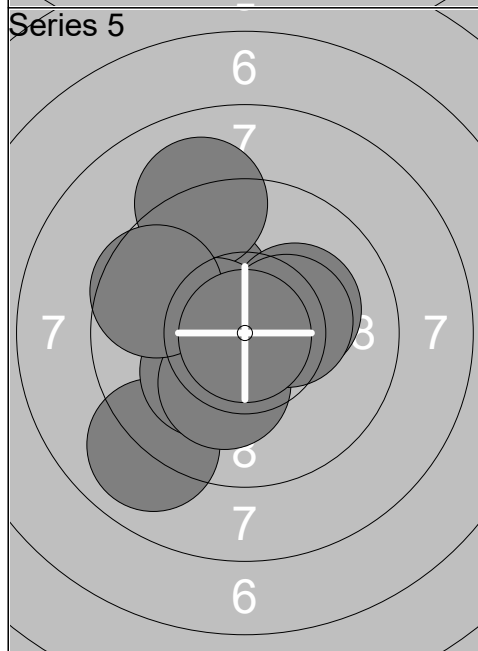
1:	10.7x ↘
2:	9.2 ↑
3:	9.8 ↖
4:	9.4 ←
5:	9.5 ↓
6:	10.6x ↗
7:	10.4x ↑
8:	9.7 ↘
9:	10.8x ↘
10:	9.9 ↗
Series	100.0
	200.9



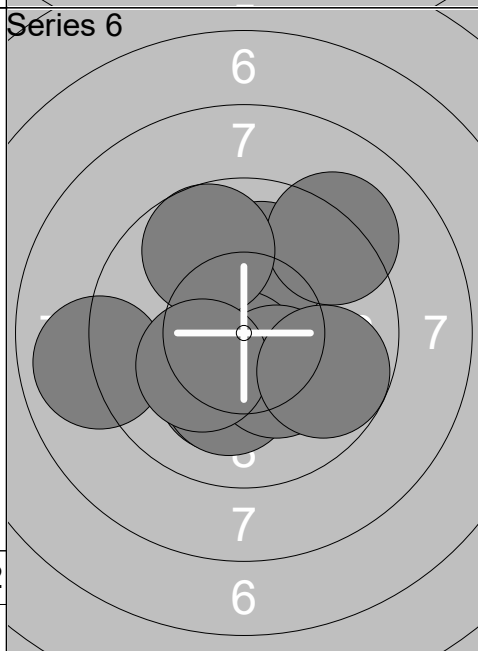
1:	10.6x ↖
2:	10.4x ↘
3:	9.5 ↗
4:	10.1 ↓
5:	9.5 ↓
6:	10.4x ↗
7:	10.3x ↖
8:	10.5x ↗
9:	10.5x ↓
10:	9.6 ↗
Series	101.4
	302.3



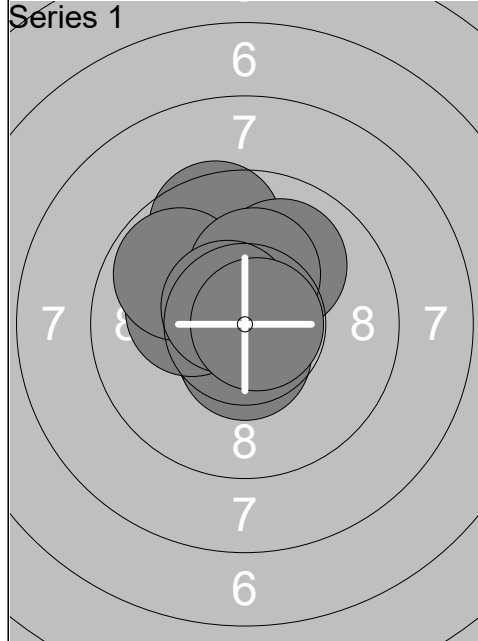
1:	9.6 ↖
2:	9.9 ↘
3:	10.0 ↗
4:	10.3x ↖
5:	9.7 ↑
6:	10.7x ↖
7:	10.6x ↗
8:	10.1 ←
9:	9.9 ↑
10:	9.8 ←
Series	100.6
	402.9



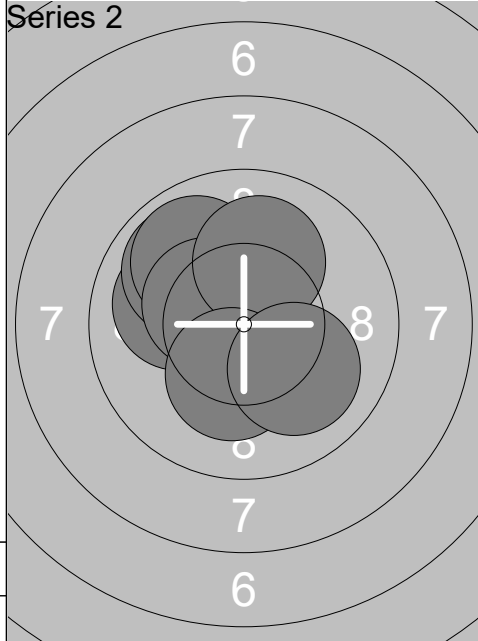
1:	10.1 ↖
2:	10.2x ↗
3:	9.1 ↑
4:	10.5x ↖
5:	9.0 ↓
6:	10.2x ↘
7:	10.2x ↓
8:	10.4x ↗
9:	9.6 ↖
10:	10.9x ↓
Series	100.2
	503.1



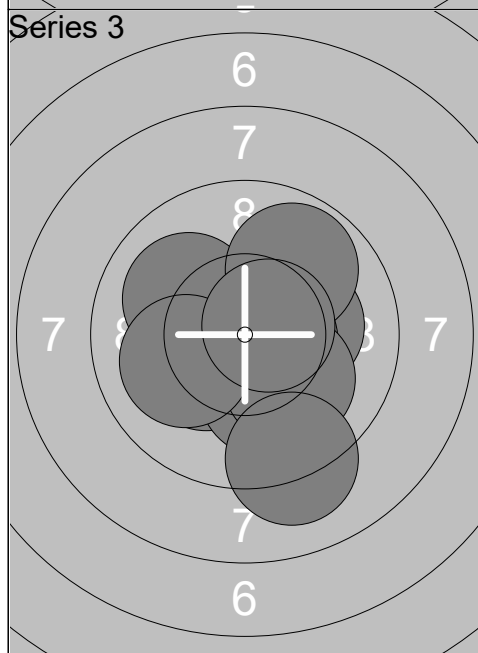
1:	10.0 ↑
2:	10.2x ↓
3:	9.2 ↗
4:	10.6x ↓
5:	10.2x ↓
6:	9.7 ↑
7:	10.3x ↘
8:	9.0 ←
9:	10.2x ↖
10:	9.7 ↘
Series	99.1
	602.2



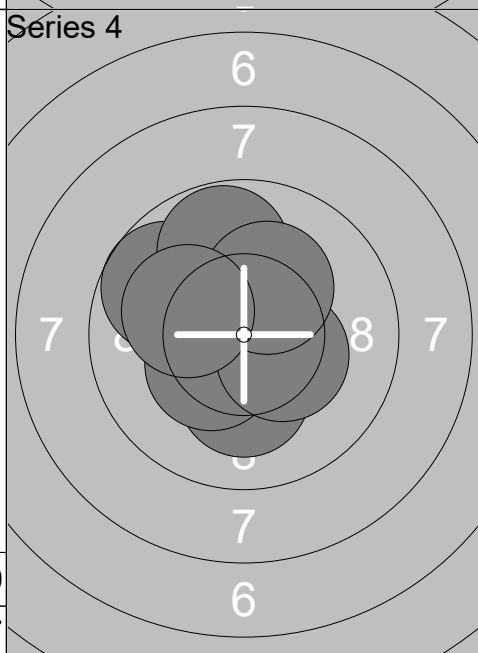
1:	10.6x ↓
2:	10.5x ↓
3:	10.7x ↗
4:	9.6 ↑
5:	10.2x ↙
6:	10.0 ↗
7:	9.8 ↖
8:	10.3x ↑
9:	10.6x ↖
10:	10.8x →
Series	103.1
	103.1



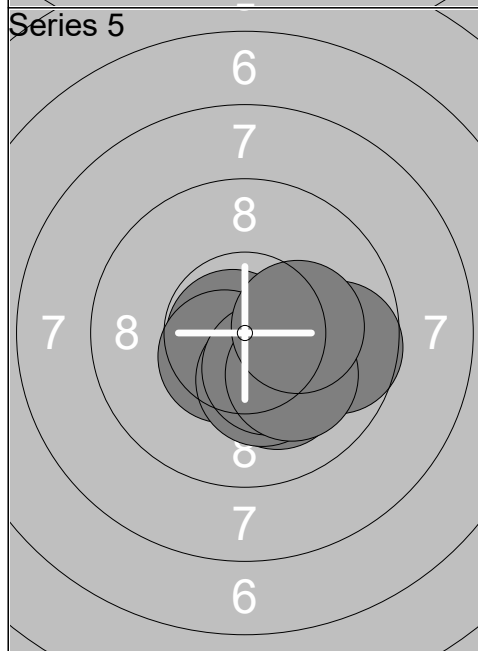
1:	10.6x ↘
2:	10.8x ↓
3:	10.0 ↖
4:	9.9 ↖
5:	9.9 ↗
6:	10.5x ↑
7:	10.4x ↙
8:	10.1 ↑
9:	10.3x ↓
10:	10.1 ↘
Series	102.6
	205.7



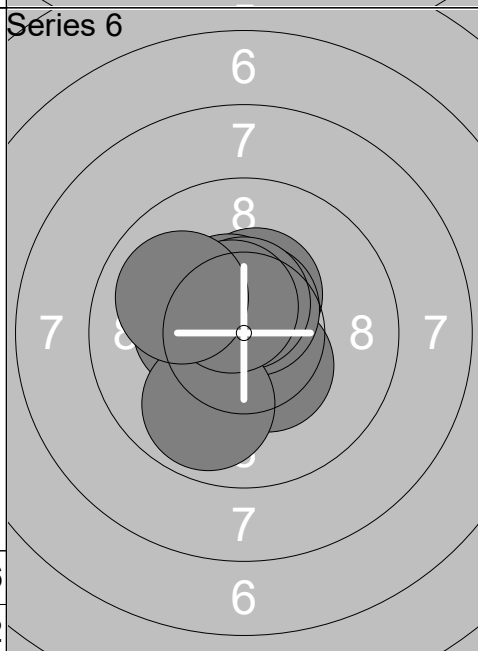
1:	10.2x →
2:	10.3x ↙
3:	10.6x →
4:	10.1 ↓
5:	10.1 ↓
6:	10.1 ↖
7:	9.8 ↗
8:	10.1 ↖
9:	10.6x →
10:	9.1 ↓
Series	101.0
	306.7



1:	10.9x ↓
2:	10.6x →
3:	10.6x ↖
4:	10.2x ↓
5:	9.7 ↖
6:	10.4x ↙
7:	9.8 ↑
8:	10.4x →
9:	10.2x ↗
10:	10.1 ↖
Series	102.9
	409.6



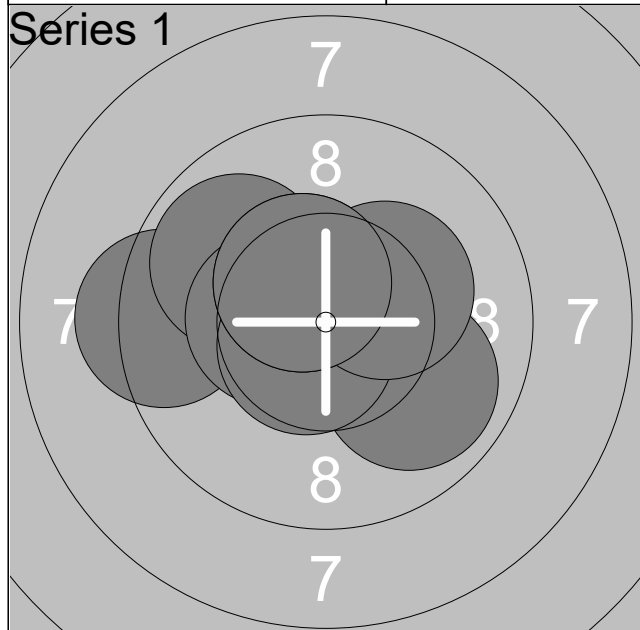
1:	9.7 →
2:	10.7x ↓
3:	10.1 ↓
4:	10.8x ↓
5:	10.8x ↙
6:	10.5x ↙
7:	10.3x ↓
8:	10.4x ↓
9:	10.1 ↓
10:	10.2x →
Series	103.6
	513.2



1:	10.7x ↙
2:	10.4x ↑
3:	10.4x ↓
4:	10.5x ↗
5:	10.6x ↑
6:	10.4x ↙
7:	10.5x ↑
8:	9.9 ↓
9:	10.6x ↗
10:	10.0 ↖
Series	104.0
	617.2

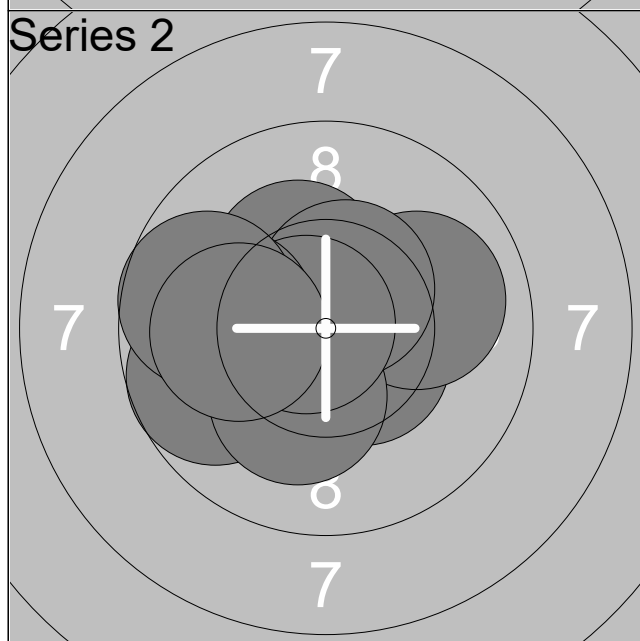
Relay 4	Lane 22	Merle My Dittmann
-------------------	-------------------	--------------------------

Qual Day 1	DEN	WJ	R
11.02.2026	Denmark Open Air 2026	Denmark Open Air 2026	
DNF			



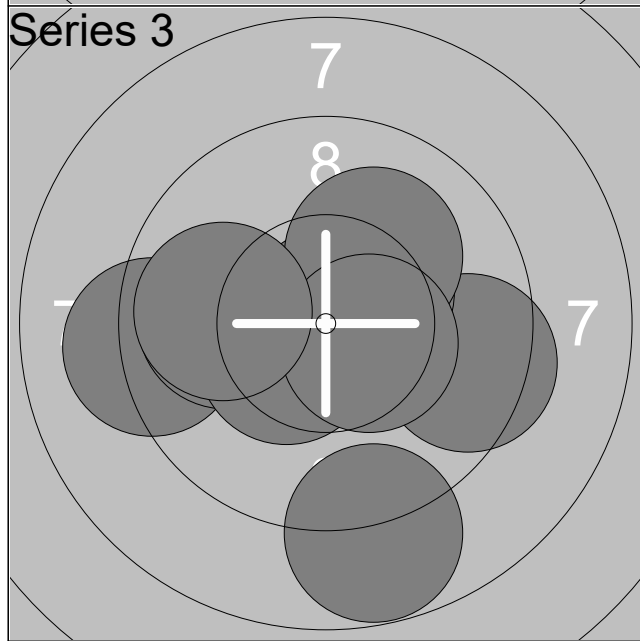
1:	10.8x	↘
2:	9.3	←
3:	9.9	↗
4:	10.4x	←
5:	9.9	↘
6:	10.8x	←
7:	10.7x	↘
8:	10.5x	↗
9:	10.3x	↗
10:	10.5x	↗

Series	103.1
	103.1



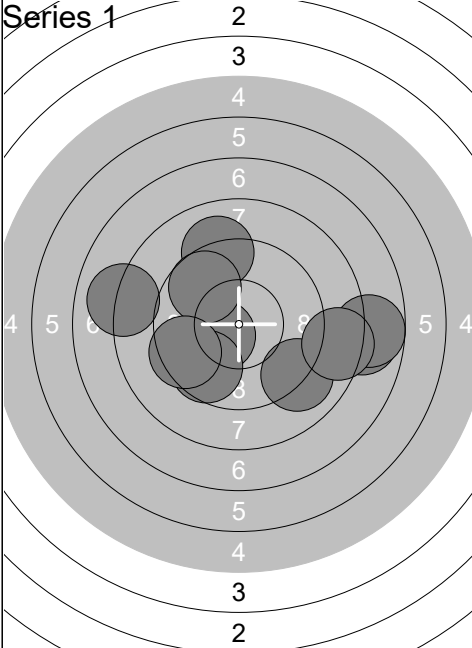
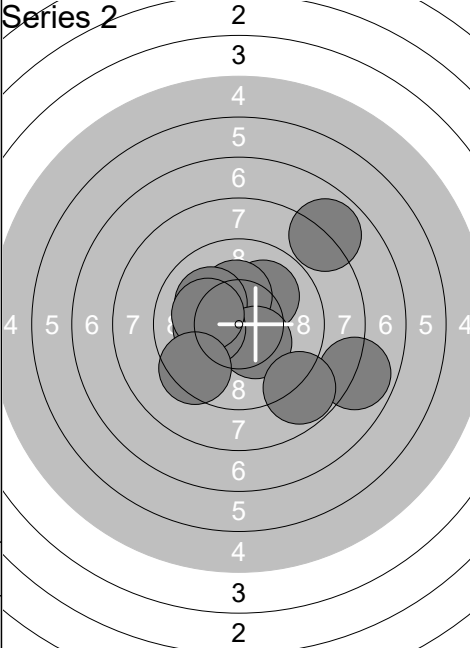
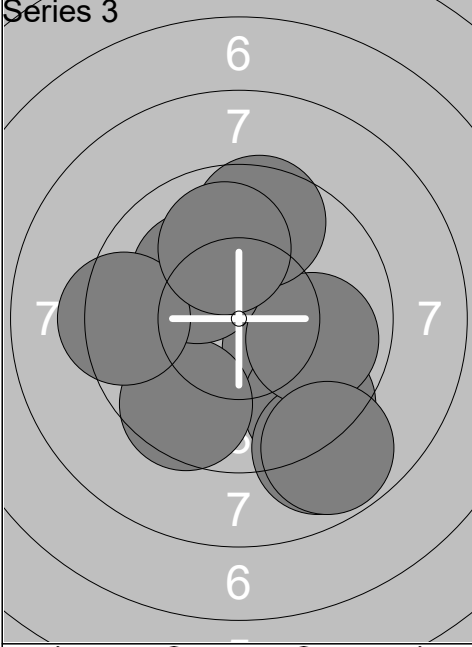
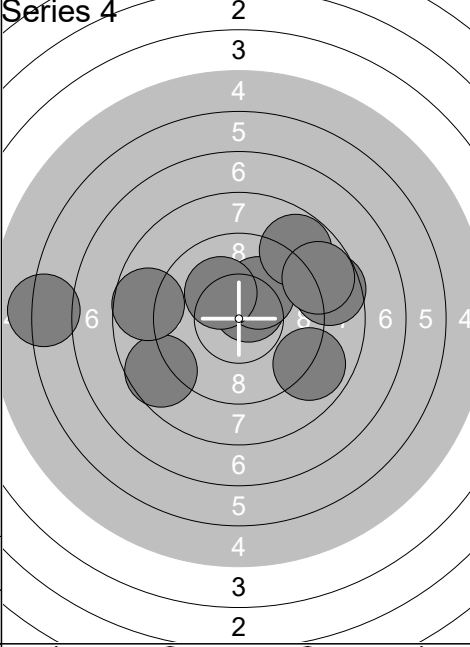
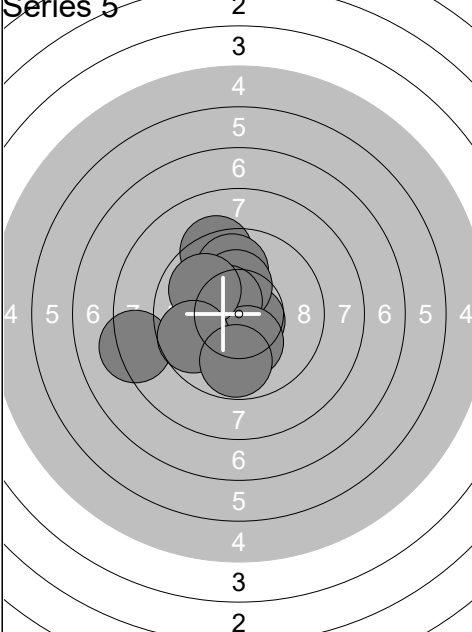
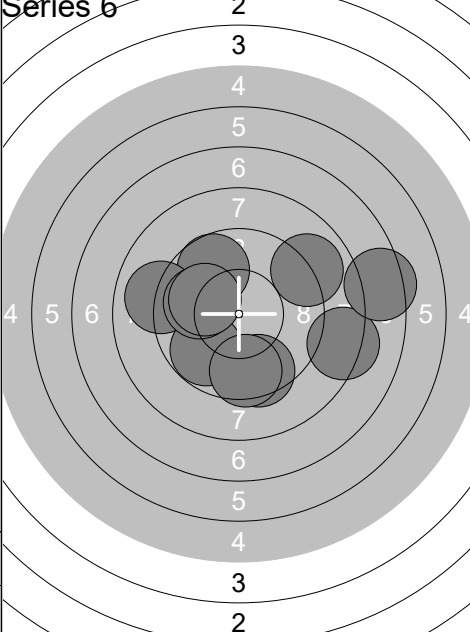
1:	10.5x	↘
2:	10.3x	↗
3:	9.7	←
4:	10.0	→
5:	10.2x	↘
6:	10.5x	↗
7:	10.8x	←
8:	9.9	←
9:	9.7	←
10:	10.1	←

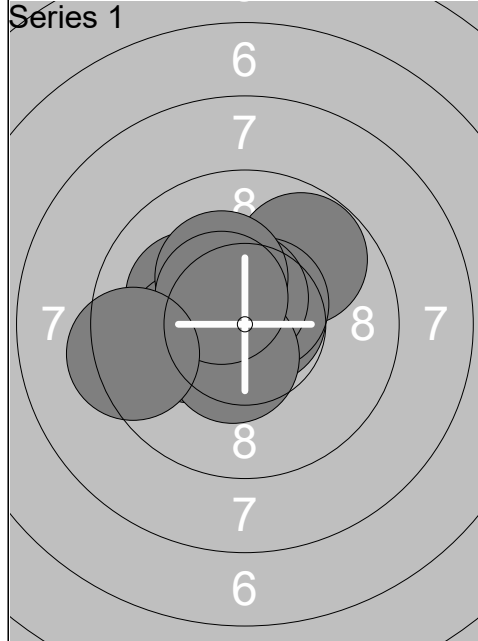
Series	101.7
	204.8



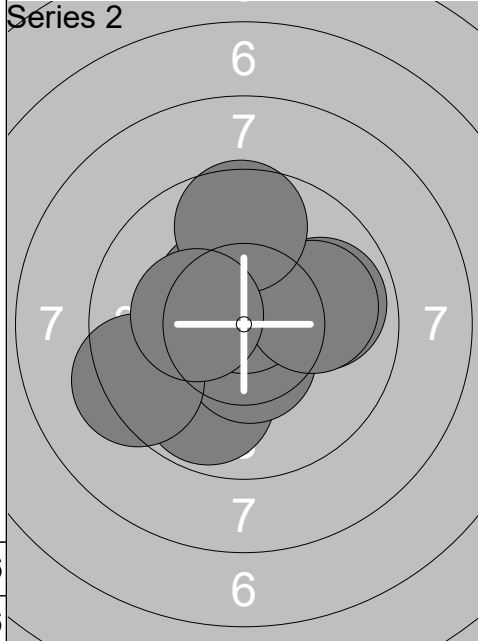
1:	9.2	←
2:	9.9	←
3:	9.5	→
4:	10.4x	↗
5:	10.9x	↗
6:	10.5x	↘
7:	10.1	↗
8:	10.5x	→
9:	8.8	↘
10:	9.9	←

Series	99.7
	304.5

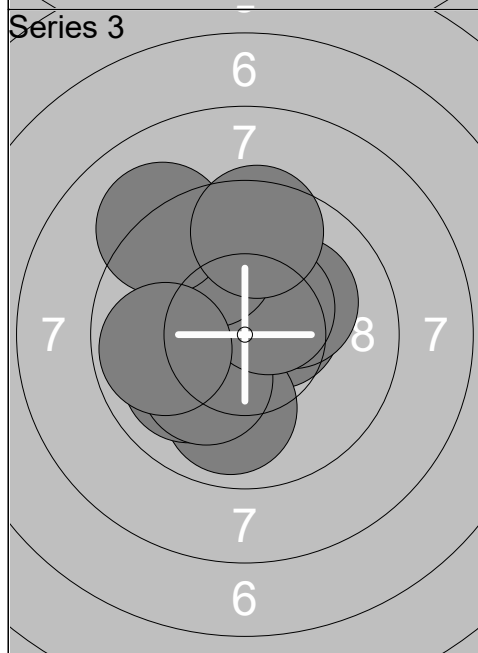
Relay	Lane	Nelli Johansson			
Qual Day 1		SWE	WJ	R	
11.02.2026		Denmark Open Air 2026		Denmark Open Air 2026	
Series 1		1: 7.9 →	Series 2		1: 10.0 ↗
		2: 9.1 ↑		2: 7.9 ↗	
		3: 10.4x ↙		3: 10.3x ↑	
		4: 7.8 →		4: 10.1 ↖	
		5: 9.7 ↗		5: 10.4x ↘	
		6: 9.1 ↘		6: 7.9 →	
		7: 9.6 ↘		7: 10.2x ↙	
		8: 8.4 →		8: 10.1 ←	
		9: 9.5 ↙		9: 9.4 ↘	
		10: 8.1 ←		10: 8.8 ↘	
		Series 89.6		Series 95.1	
		89.6		184.7	
Series 3		1: 10.2x ↘	Series 4		1: 10.6x ↗
		2: 9.4 ↘		2: 10.2x ↗	
		3: 9.6 ↘		3: 8.9 →	
		4: 8.9 ↘		4: 8.7 ↙	
		5: 9.9 →		5: 8.7 ←	
		6: 10.2x ↗		6: 8.8 ↗	
		7: 9.4 ←		7: 8.6 →	
		8: 9.6 ↑		8: 10.2x ↖	
		9: 8.8 ↘		9: 8.8 →	
		10: 10.0 ↑		10: 6.1 ←	
		Series 96.0		Series 89.6	
		280.7		370.3	
Series 5		1: 9.3 ↑	Series 6		1: 9.8 ↙
		2: 10.7x ↘		2: 9.5 ↘	
		3: 9.9 ↑		3: 9.7 ↗	
		4: 10.3x ↑		4: 8.9 ↗	
		5: 10.5x ↖		5: 9.0 ←	
		6: 8.3 ←		6: 8.3 →	
		7: 10.3x ↘		7: 7.4 →	
		8: 9.9 ↗		8: 9.9 ←	
		9: 9.7 ↙		9: 10.0 ←	
		10: 9.8 ↓		10: 9.5 ↓	
		Series 98.7		Series 92.0	
		469.0		561.0	



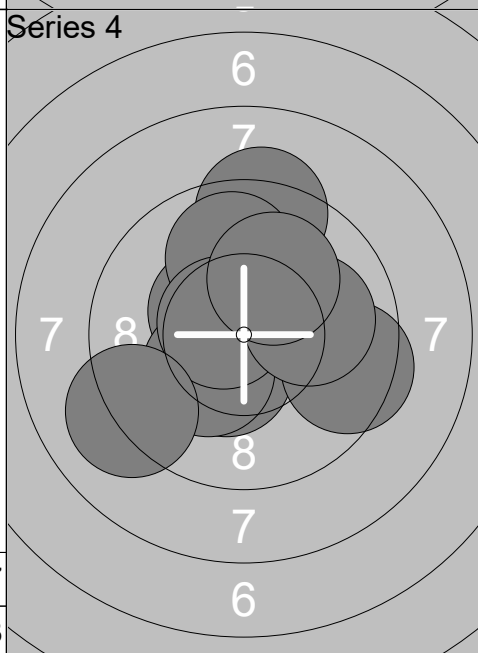
1:	9.8 ↗
2:	10.7x →
3:	10.1 ↖
4:	10.6x ↗
5:	10.2x ←
6:	10.6x ↑
7:	10.2x ↖
8:	10.5x ↓
9:	10.5x ↖
10:	9.4 ←
Series	102.6
	102.6



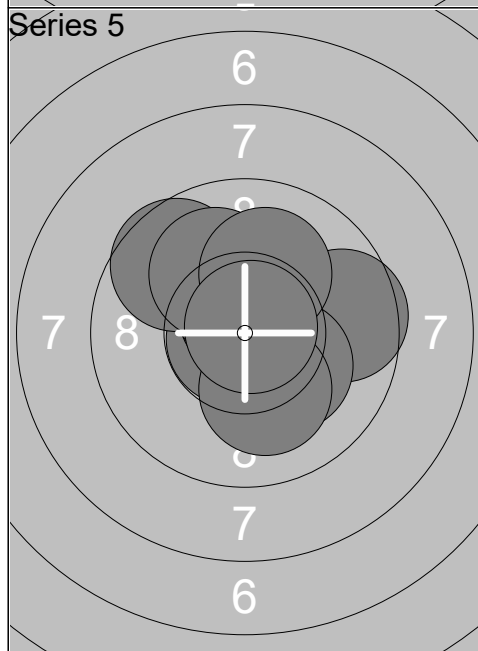
1:	9.8 ↓
2:	10.5x ↓
3:	10.5x ↖
4:	9.9 →
5:	10.4x ↖
6:	9.3 ←
7:	10.7x ↑
8:	10.0 →
9:	9.6 ↑
10:	10.3x ←
Series	101.0
	203.6



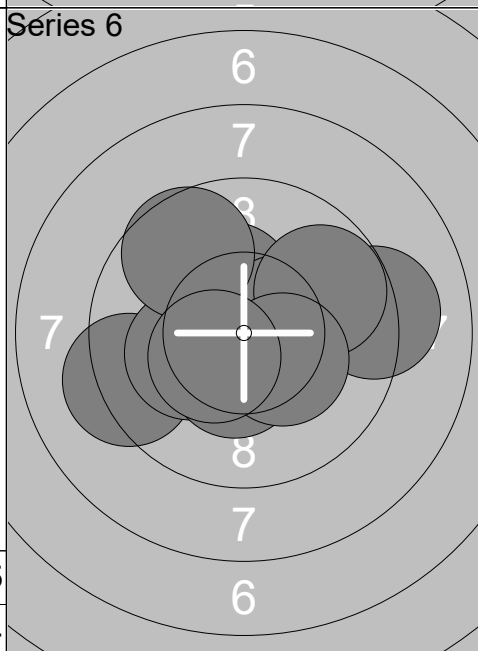
1:	10.5x →
2:	9.9 ↓
3:	10.2x ↗
4:	10.0 ←
5:	10.2x ↘
6:	10.5x ↗
7:	9.9 ↖
8:	9.1 ↖
9:	9.5 ↑
10:	9.9 ←
Series	99.7
	303.3



1:	9.3 ↑
2:	10.4x ↖
3:	10.4x ↓
4:	9.5 →
5:	10.3x ↘
6:	9.9 ↑
7:	10.6x ↖
8:	10.0 →
9:	10.1 ↗
10:	9.1 ↘
Series	99.6
	402.9

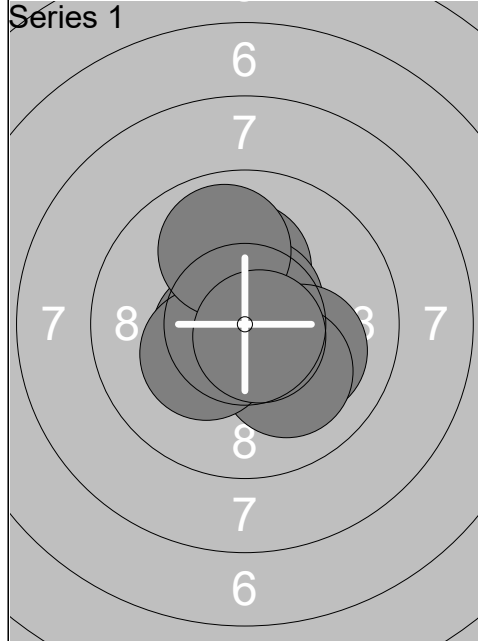


1:	10.8x ↘
2:	9.6 ↖
3:	10.7x ↑
4:	9.6 →
5:	10.2x ↘
6:	10.5x ↑
7:	10.1 ↖
8:	10.1 ↑
9:	10.1 ↓
10:	10.8x ↗
Series	102.5
	505.4

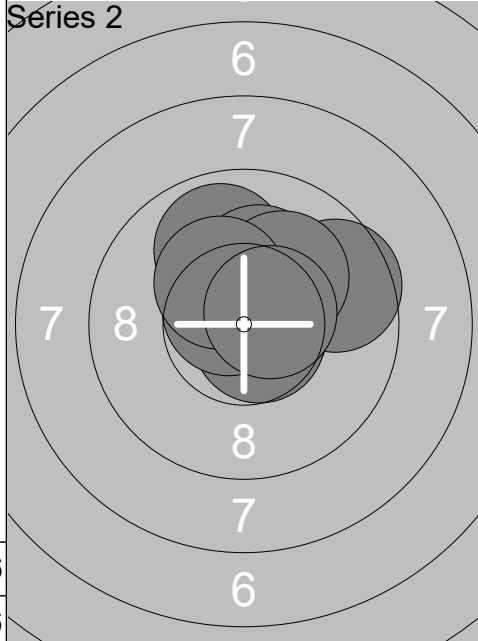


1:	9.2 →
2:	9.2 ←
3:	10.3x ↑
4:	10.2x ←
5:	10.4x →
6:	9.6 ↖
7:	9.8 →
8:	10.4x ↓
9:	10.3x ↘
10:	10.4x ↘
Series	99.8
	605.2

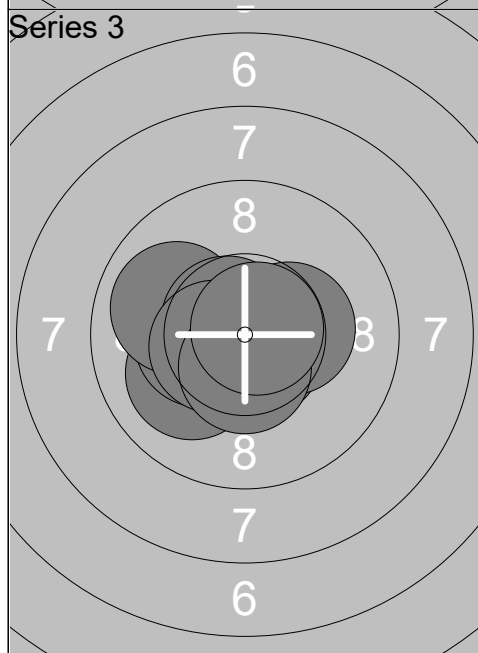
Relay	Lane	Nicoline Kokholm Jensen			
4	25	DEN		WJ	R
11.02.2026		Denmark Open Air 2026		Denmark Open Air 2026	
Series 1 	2	1: 8.9 →	Series 2 	1: 10.5x ↙	
	3	2: 10.0 ↗		2: 9.5 ←	
	4	3: 8.7 →		3: 10.3x ↗	
	5	4: 9.3 ←		4: 10.5x ↓	
	6	5: 10.5x ↙		5: 10.2x ←	
	7	6: 9.8 ↙		6: 10.6x →	
	8	7: 10.2x ←		7: 9.8 ↗	
	7	8: 8.5 →		8: 9.2 ↖	
	6	9: 9.7 ↗		9: 9.8 →	
	5	10: 10.0 ←		10: 10.3x ↑	
4	Series 95.6	Series 100.7			
3	95.6	196.3			
Series 3 	2	1: 10.7x ↓	Series 4 	1: 10.6x ↗	
	3	2: 9.7 ↖		2: 10.1 ↗	
	4	3: 10.8x ↗		3: 10.0 ↑	
	5	4: 9.6 ↖		4: 9.9 ↗	
	6	5: 8.5 ←		5: 9.7 →	
	7	6: 10.2x ↗		6: 10.2x ↑	
	8	7: 9.9 ↓		7: 10.1 ↗	
	7	8: 8.3 →		8: 8.7 ←	
	6	9: 10.0 →		9: 10.8x ↗	
	5	10: 9.9 →		10: 10.9x ↑	
4	Series 97.6	Series 101.0			
3	293.9	394.9			
Series 5 	2	1: 10.5x ←	Series 6 	1: 10.5x ↙	
	3	2: 10.1 ↗		2: 10.5x ←	
	4	3: 10.3x ↙		3: 10.4x ↗	
	5	4: 10.3x ←		4: 8.8 →	
	6	5: 9.8 →		5: 9.7 ↗	
	7	6: 9.1 ←		6: 10.3x ↗	
	8	7: 9.5 ←		7: 10.4x ↑	
	7	8: 8.1 ←		8: 10.4x ↑	
	6	9: 10.6x ↓		9: 8.9 ↖	
	5	10: 10.2x ↖		10: 10.7x →	
4	Series 98.5	Series 100.6			
3	493.4	594.0			
2					



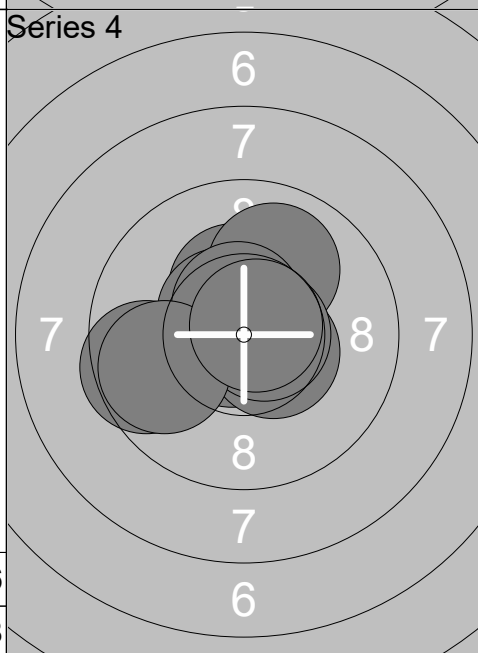
1:	10.2x ↑
2:	10.3x ↘
3:	10.6x ←
4:	10.6x ↗
5:	10.8x ↘
6:	10.1 →
7:	10.1 ↘
8:	10.3x ↙
9:	9.9 ↑
10:	10.7x ↘
Series	103.6
	103.6



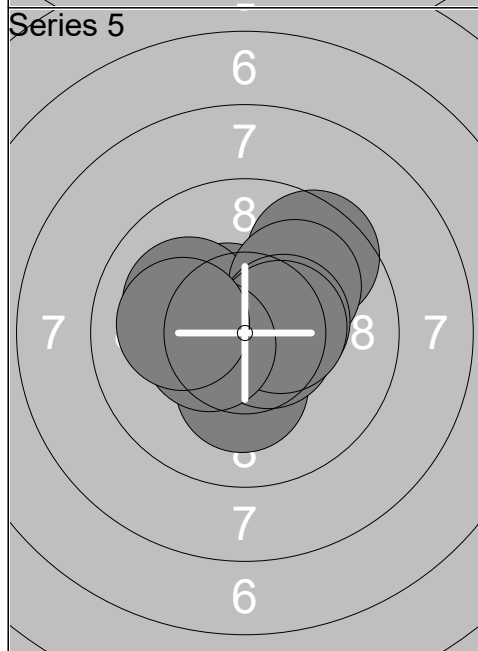
1:	9.6 →
2:	10.8x ↗
3:	9.9 ↑
4:	10.7x →
5:	10.7x ↘
6:	10.2x ↑
7:	10.1 ↗
8:	10.7x ↖
9:	10.3x ↖
10:	10.6x ↗
Series	103.6
	207.2



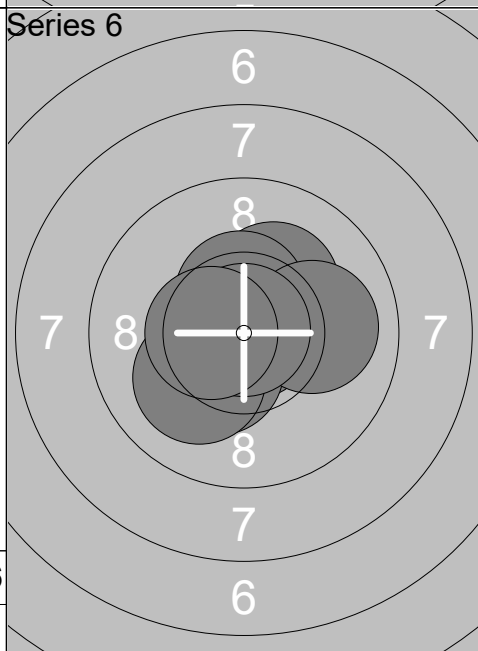
1:	10.1 ←
2:	10.7x ↘
3:	10.6x ↘
4:	10.3x ←
5:	10.4x →
6:	10.0 ←
7:	10.7x ↖
8:	10.5x ←
9:	10.5x ↓
10:	10.8x ↗
Series	104.6
	311.8



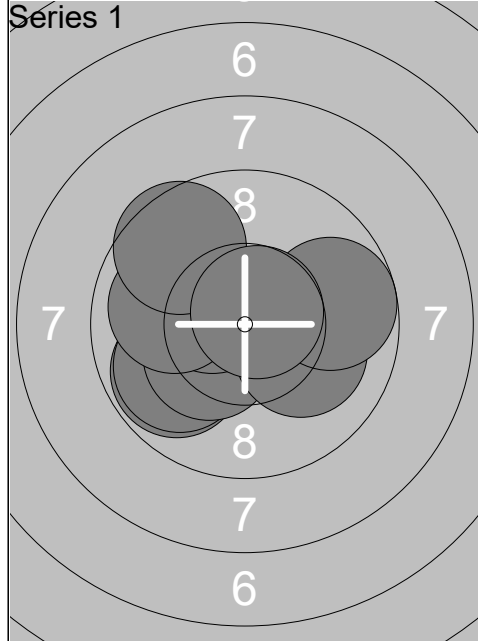
1:	10.4x ↑
2:	10.8x ↙
3:	10.0 ↑
4:	10.5x →
5:	9.6 ←
6:	10.5x ↖
7:	10.7x →
8:	10.6x ↑
9:	9.8 ←
10:	10.8x ↗
Series	103.7
	415.5



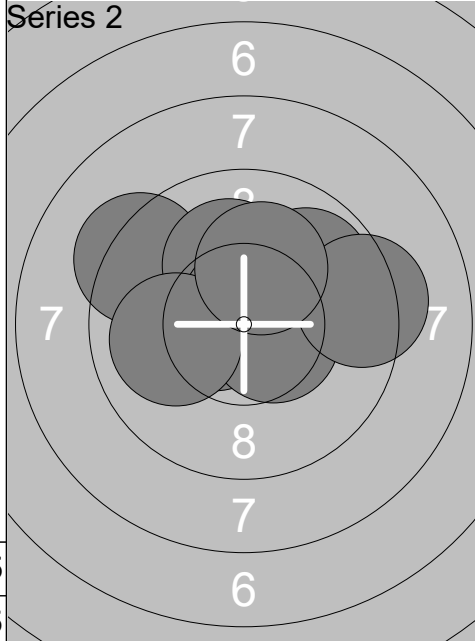
1:	10.2x ↓
2:	10.6x ↖
3:	9.6 ↗
4:	10.6x →
5:	10.1 ←
6:	10.0 ↗
7:	10.4x →
8:	10.5x →
9:	10.5x ←
10:	10.1 ←
Series	102.6
	518.1



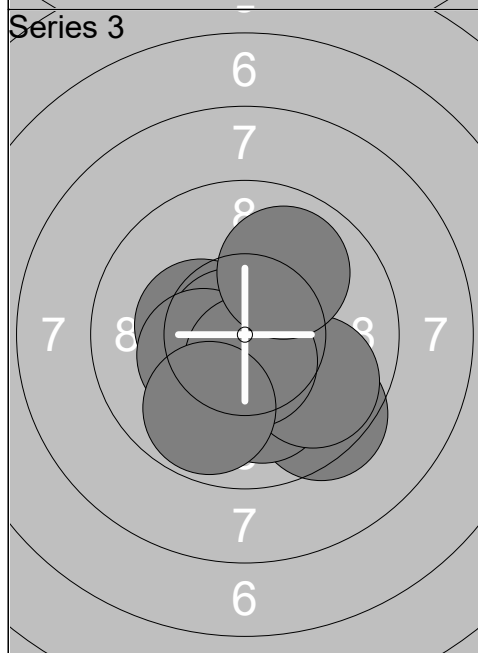
1:	10.5x ↗
2:	10.5x ↗
3:	10.9x →
4:	10.3x ↙
5:	10.3x ↗
6:	10.1 ↙
7:	10.5x ↑
8:	10.0 →
9:	10.9x ↑
10:	10.5x ←
Series	104.5
	622.6



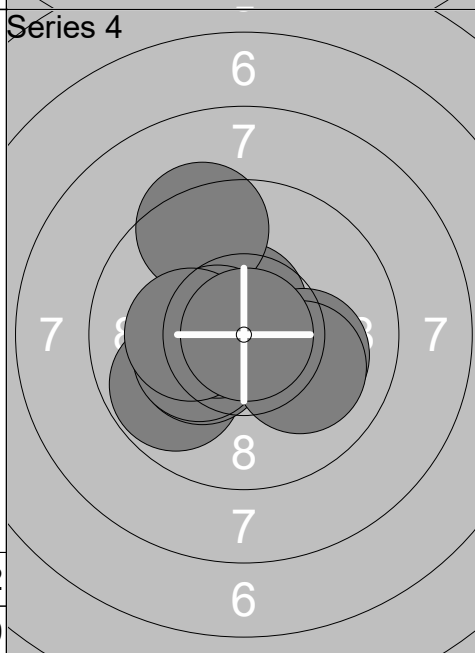
1:	10.8x ↑
2:	9.8 ↙
3:	9.9 ↙
4:	10.3x ↙
5:	10.5x ↙
6:	10.0 ←
7:	10.1 ➡
8:	9.8 ➡
9:	9.6 ↖
10:	10.7x ↗
Series	101.5
	101.5



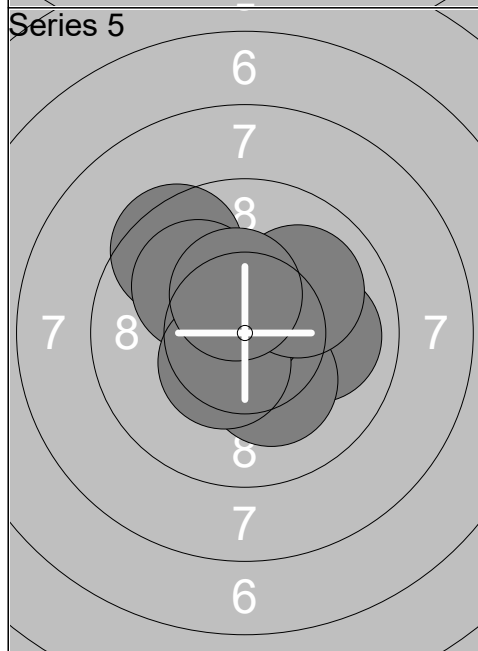
1:	9.3 ↖
2:	10.6x ↖
3:	9.9 ↗
4:	10.5x ←
5:	10.1 ↑
6:	10.8x ↑
7:	10.5x ➡
8:	9.3 ➡
9:	10.0 ←
10:	10.2x ↑
Series	101.2
	202.7



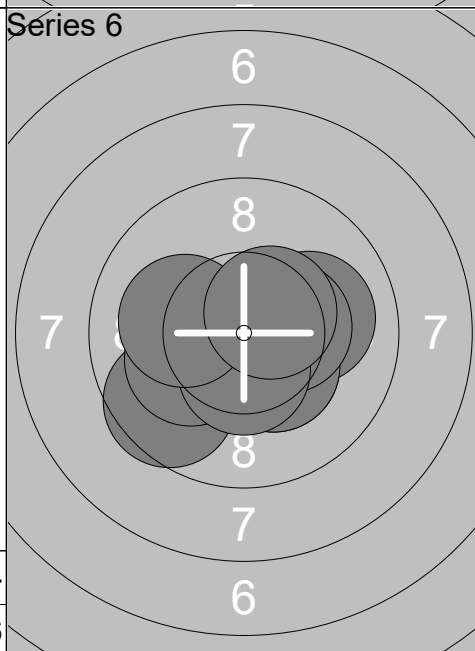
1:	9.5 ↘
2:	10.1 ↓
3:	9.9 ↘
4:	10.8x ↙
5:	10.3x ←
6:	10.8x ←
7:	10.3x ←
8:	10.6x ↓
9:	10.0 ↗
10:	9.9 ↓
Series	102.2
	304.9



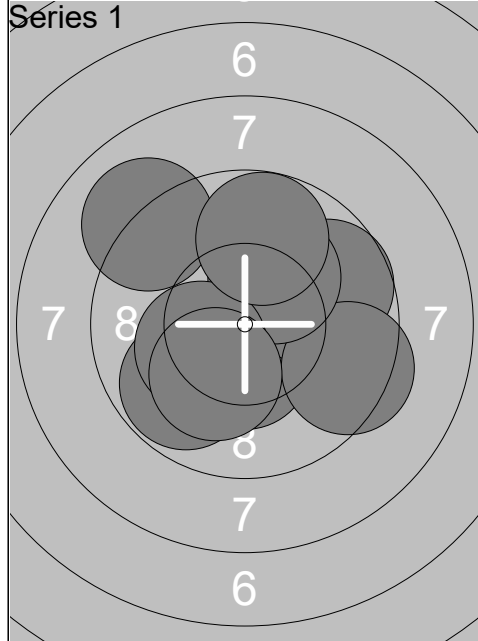
1:	9.8 ↙
2:	10.3x ↙
3:	10.6x ↑
4:	10.1 ➡
5:	9.4 ↖
6:	10.3x ←
7:	10.6x ←
8:	10.2x ←
9:	10.1 ➡
10:	10.9x ➡
Series	102.3
	407.2



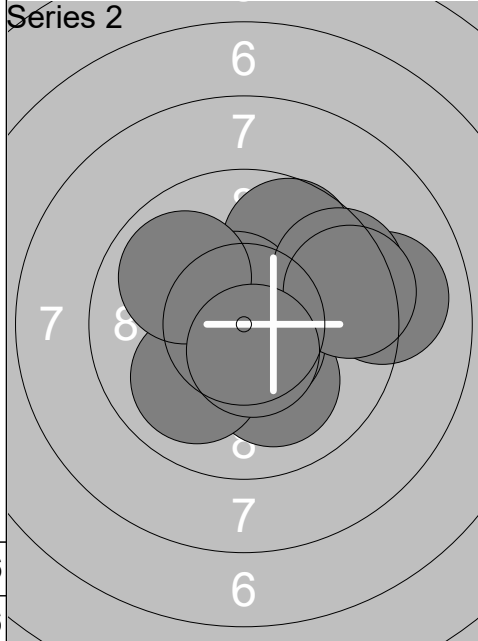
1:	10.4x ➡
2:	10.0 ➡
3:	10.2x ↓
4:	10.7x ↑
5:	9.5 ↖
6:	10.0 ↖
7:	10.7x ↑
8:	10.4x ↙
9:	10.1 ↗
10:	10.4x ↑
Series	102.4
	509.6



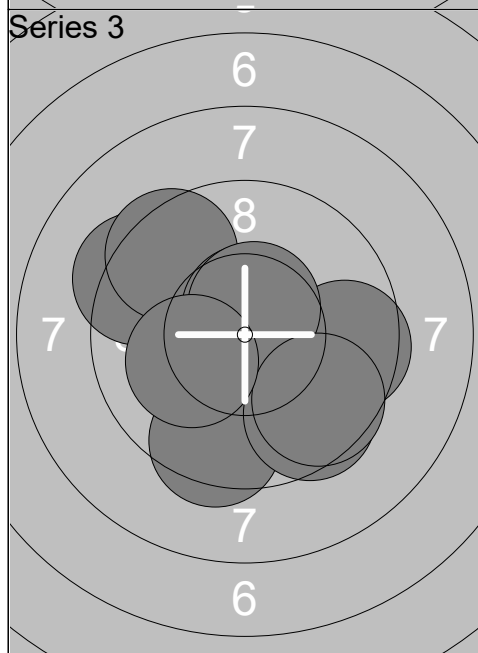
1:	10.4x ↓
2:	10.0 ➡
3:	10.3x ↓
4:	10.4x ➡
5:	9.6 ↙
6:	10.2x ↙
7:	10.8x ↙
8:	10.5x ↓
9:	10.1 ←
10:	10.5x ↗
Series	102.8
	612.4



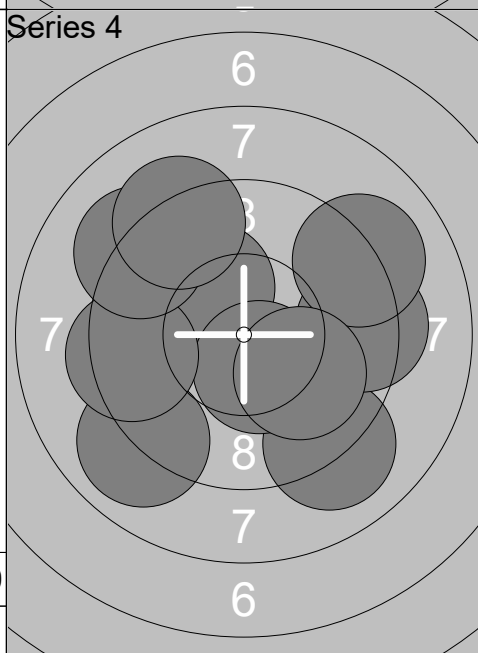
1:	10.4x ↓
2:	10.0 →
3:	9.7 →
4:	9.0 ↗
5:	9.4 →
6:	10.2x ↗
7:	9.8 ↓
8:	10.3x ↙
9:	10.1 ↓
10:	9.7 ↑
Series	98.6
98.6	



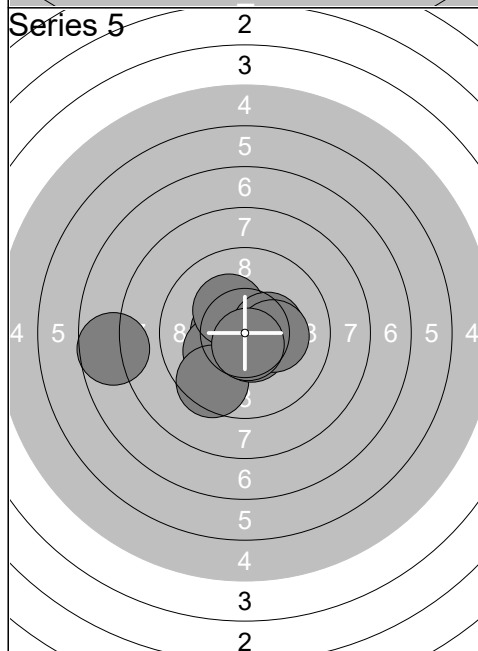
1:	9.0 →
2:	9.7 ↗
3:	10.1 ↓
4:	10.7x ↘
5:	10.0 ↓
6:	10.6x ↗
7:	9.5 ↗
8:	9.4 →
9:	9.9 ↗
10:	10.6x ↓
Series	99.5
198.1	



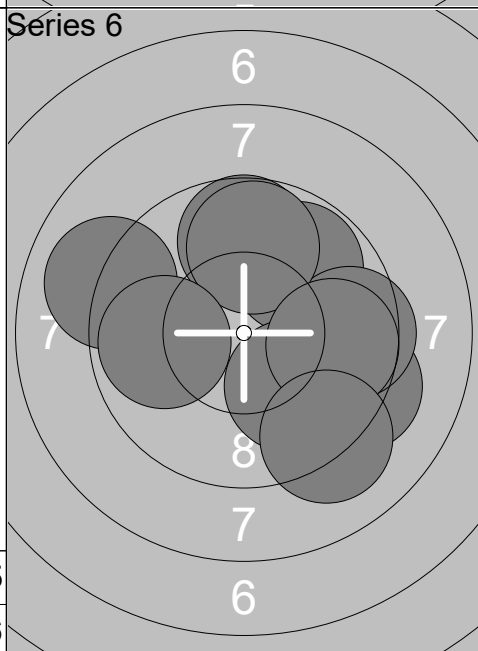
1:	9.5 ↗
2:	9.3 ↗
3:	9.5 ↗
4:	10.6x ↑
5:	9.6 →
6:	10.6x ↑
7:	9.5 ↓
8:	9.6 ↓
9:	9.6 ↓
10:	10.2x ↙
Series	98.0
296.1	



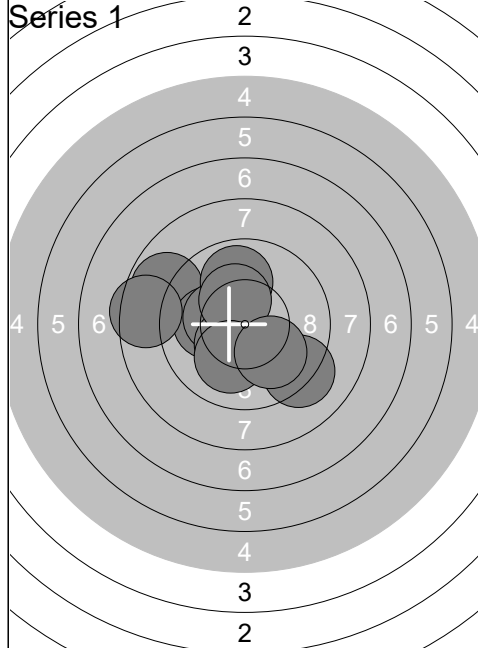
1:	9.1 ↓
2:	10.1 ↗
3:	9.4 →
4:	9.0 ↓
5:	10.5x ↓
6:	9.4 ←
7:	9.1 ↗
8:	10.0 ↘
9:	9.2 ↗
10:	9.2 ↗
Series	95.0
391.1	



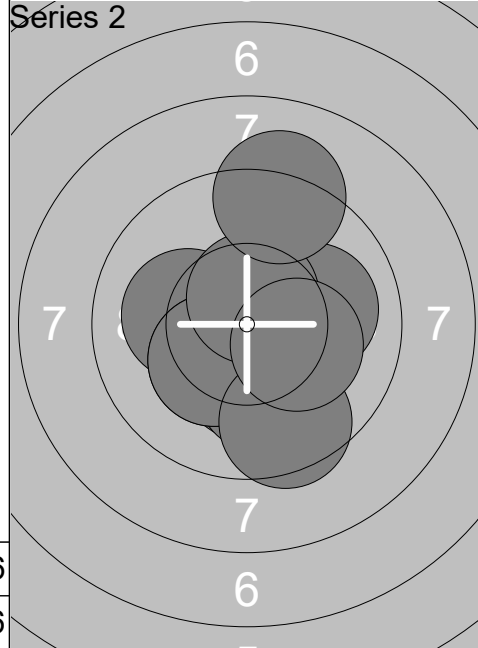
1:	7.7 ←
2:	10.5x ↙
3:	10.2x ↙
4:	10.3x ↗
5:	10.4x →
6:	10.4x →
7:	9.5 ↓
8:	10.6x ↓
9:	10.2x →
10:	10.7x ↓
Series	100.5
491.6	



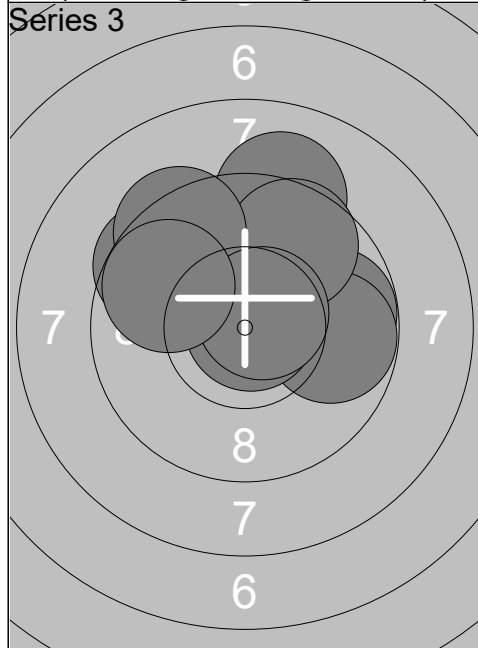
1:	9.3 →
2:	9.8 ↗
3:	9.7 ↑
4:	9.5 →
5:	10.0 ↓
6:	9.0 ←
7:	9.8 ↑
8:	9.7 →
9:	9.2 ↓
10:	9.9 ←
Series	95.9
587.5	



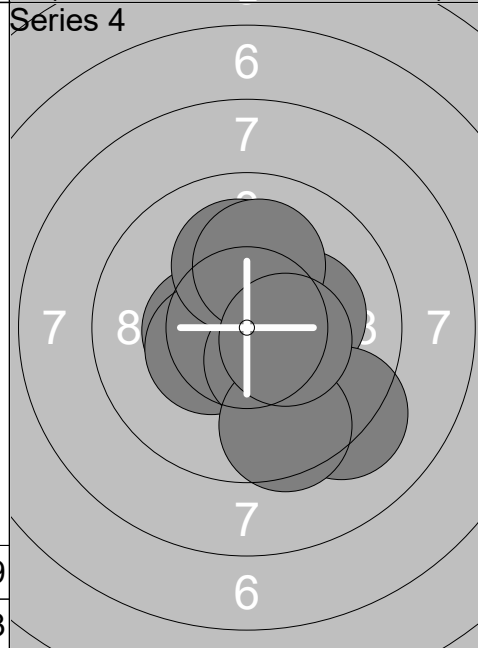
1:	9.2	↘
2:	8.8	↖
3:	10.1	←
4:	8.5	←
5:	10.3x	↙
6:	9.9	↑
7:	10.4x	↘
8:	10.3x	↗
9:	10.1	↘
10:	10.0	↘
Series	97.6	
	97.6	



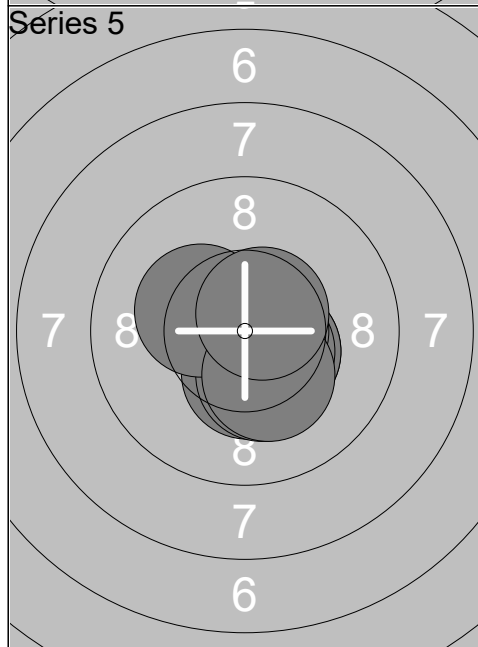
1:	10.3x	↓
2:	10.2x	↙
3:	10.1	↓
4:	10.3x	↘
5:	10.3x	↘
6:	10.1	→
7:	10.6x	↑
8:	9.5	↓
9:	10.2x	↗
10:	9.2	↑
Series	100.8	
	198.4	



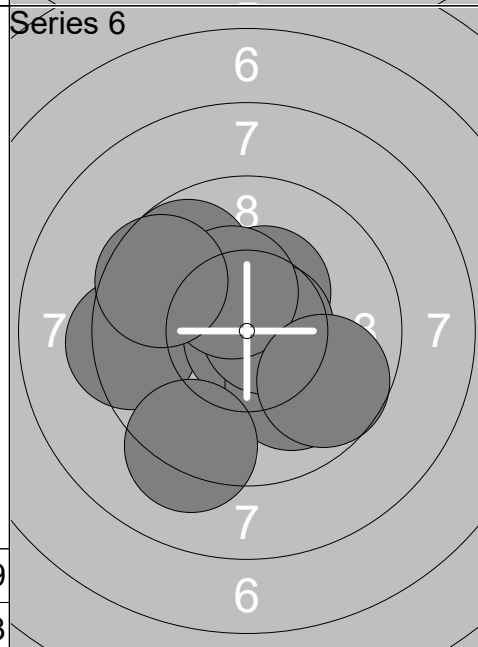
1:	9.1	↑
2:	9.8	→
3:	9.8	→
4:	10.9x	↗
5:	10.3x	↑
6:	9.5	↖
7:	9.7	↗
8:	9.4	↗
9:	10.6x	↗
10:	9.8	↖
Series	98.9	
	297.3	



1:	10.4x	↙
2:	10.3x	→
3:	10.4x	↙
4:	10.4x	↘
5:	10.1	↑
6:	10.2x	→
7:	9.2	↘
8:	10.1	↑
9:	9.6	↓
10:	10.4x	→
Series	101.1	
	398.4	

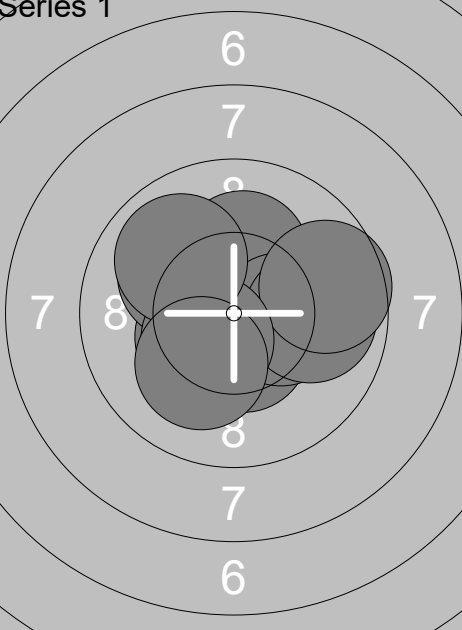
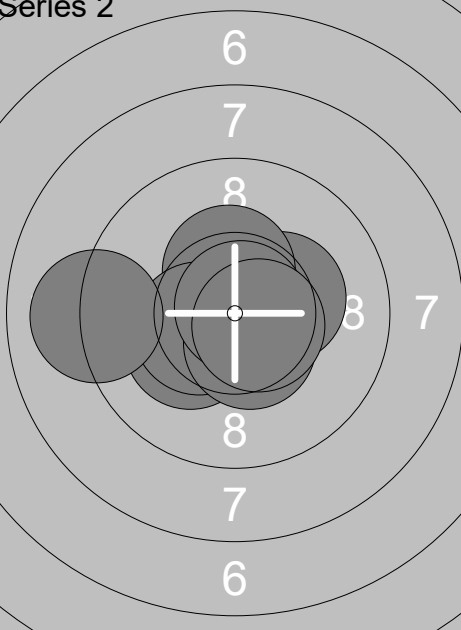
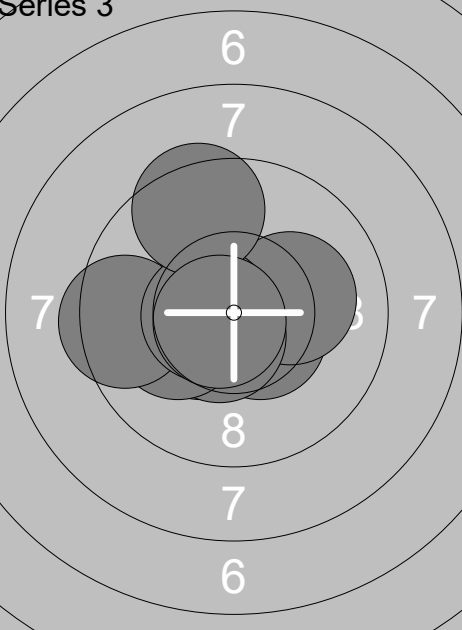
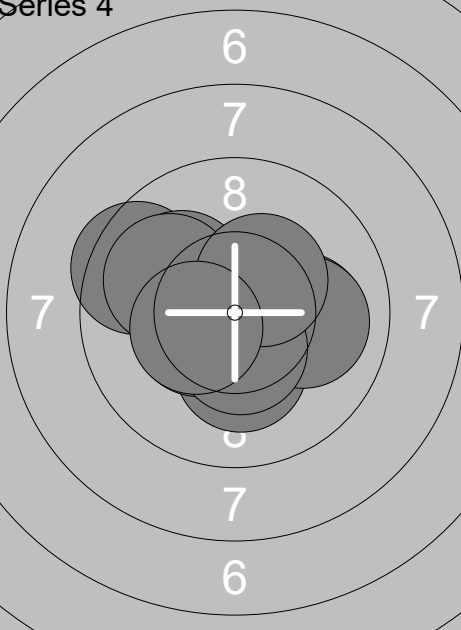
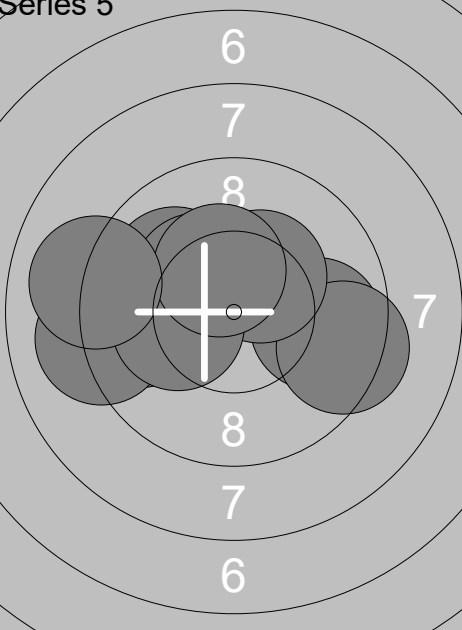
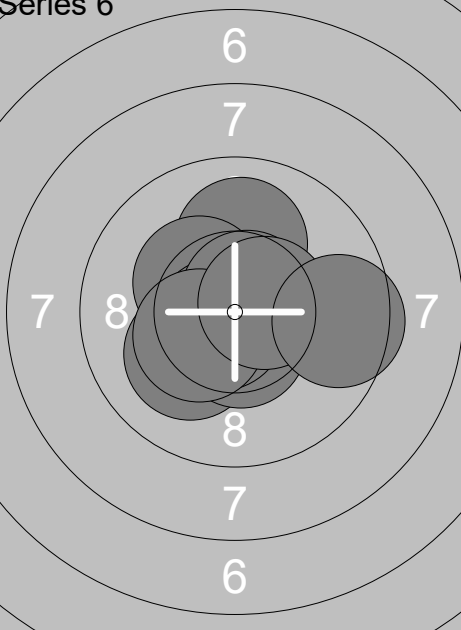


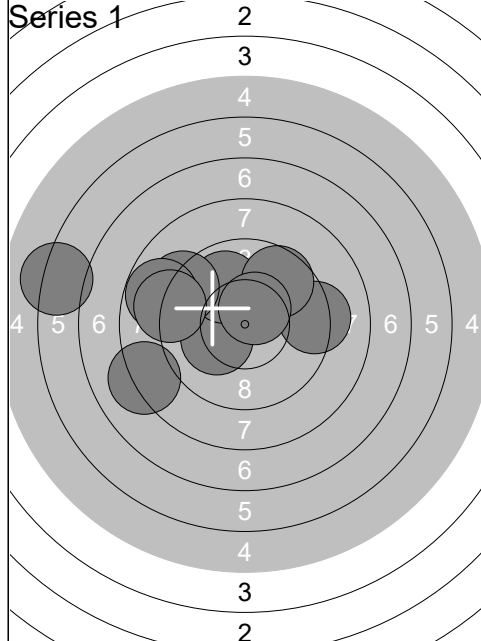
1:	10.4x	↓
2:	10.5x	↘
3:	10.5x	↘
4:	10.8x	→
5:	10.3x	↓
6:	10.5x	↘
7:	10.7x	→
8:	10.3x	↖
9:	10.3x	↓
10:	10.6x	↗
Series	104.9	
	503.3	



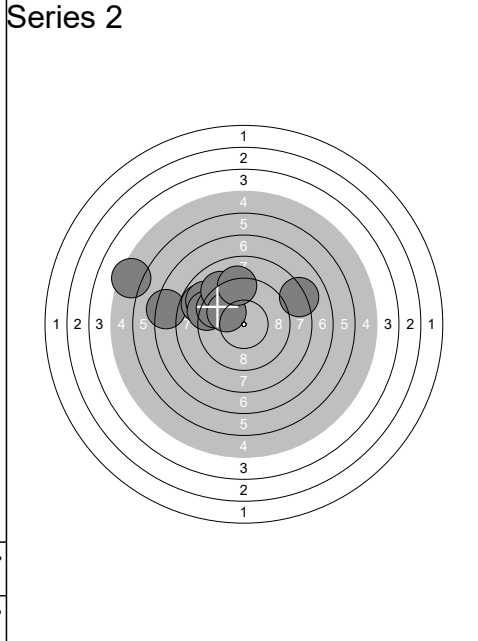
1:	9.4	←
2:	9.8	↖
3:	10.9x	↓
4:	10.0	↓
5:	10.4x	↗
6:	10.7x	→
7:	10.4x	↑
8:	9.2	↓
9:	9.6	↖
10:	9.7	↘
Series	100.1	
	603.4	

11.02.2026	Denmark Open Air 2026	Denmark Open Air 2026
------------	-----------------------	-----------------------

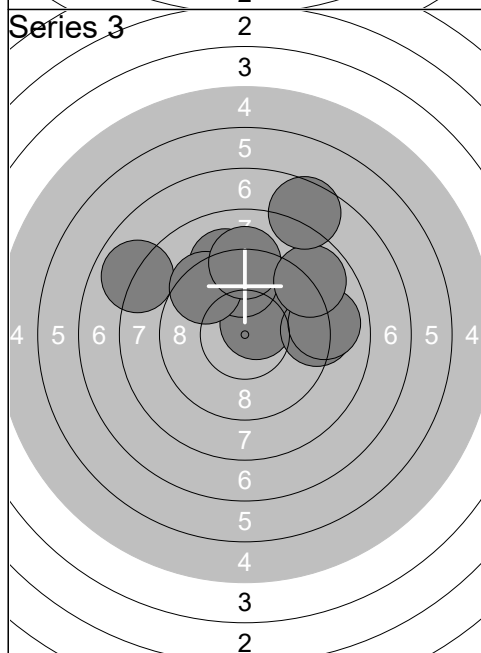
Series 1 	1: 10.4x ↙ 2: 10.1 ↖ 3: 10.5x ↓ 4: 10.2x ↑ 5: 10.3x → 6: 9.9 → 7: 9.7 → 8: 10.4x ↙ 9: 9.9 ↖ 10: 10.1 ↓ <hr/> Series 101.5 101.5	Series 2 	1: 10.3x → 2: 10.8x ↑ 3: 10.6x ↘ 4: 10.2x ↙ 5: 10.4x ↑ 6: 10.4x ↙ 7: 10.5x ↓ 8: 10.8x ↗ 9: 9.1 ← 10: 10.6x ↘ <hr/> Series 103.7 205.2
Series 3 	1: 10.5x ↘ 2: 10.2x → 3: 10.4x ↙ 4: 10.6x ↓ 5: 10.1 ← 6: 10.6x ← 7: 9.5 ← 8: 10.6x ← 9: 9.5 ↑ 10: 10.7x ↙ <hr/> Series 102.7 307.9	Series 4 	1: 9.5 ↖ 2: 10.2x ↓ 3: 10.4x ↙ 4: 10.1 → 5: 10.1 ↖ 6: 10.0 → 7: 10.5x ↓ 8: 10.0 ↖ 9: 10.4x ↗ 10: 10.4x ↙ <hr/> Series 101.6 409.5
Series 5 	1: 9.8 → 2: 9.4 → 3: 10.0 ↖ 4: 9.7 ← 5: 10.3x ↗ 6: 9.1 ← 7: 10.3x ↖ 8: 10.2x ← 9: 10.4x ↑ 10: 9.0 ← <hr/> Series 98.2 507.7	Series 6 	1: 10.5x ↖ 2: 10.0 ↑ 3: 10.3x ↖ 4: 10.1 ↙ 5: 10.6x ↓ 6: 10.7x ↙ 7: 10.7x ↗ 8: 10.4x ↙ 9: 10.5x → 10: 9.6 → <hr/> Series 103.4 611.1



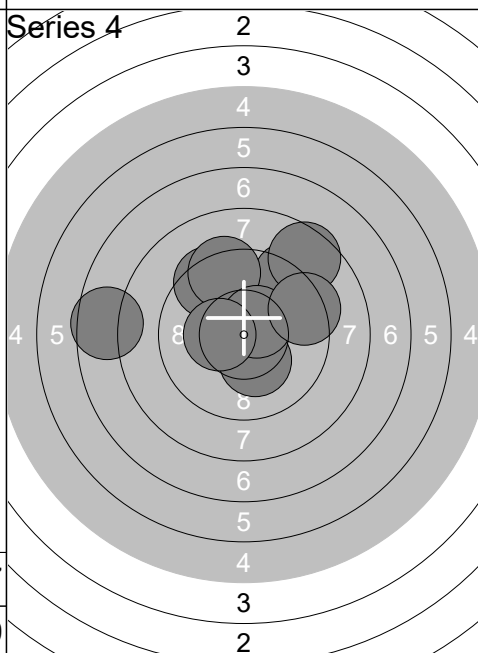
1:	9.2	→
2:	10.2x	↙
3:	8.1	←
4:	9.9	↑
5:	9.6	↗
6:	9.2	↖
7:	8.8	←
8:	10.5x	↗
9:	9.0	←
10:	6.2	←
Series	90.7	
	90.7	



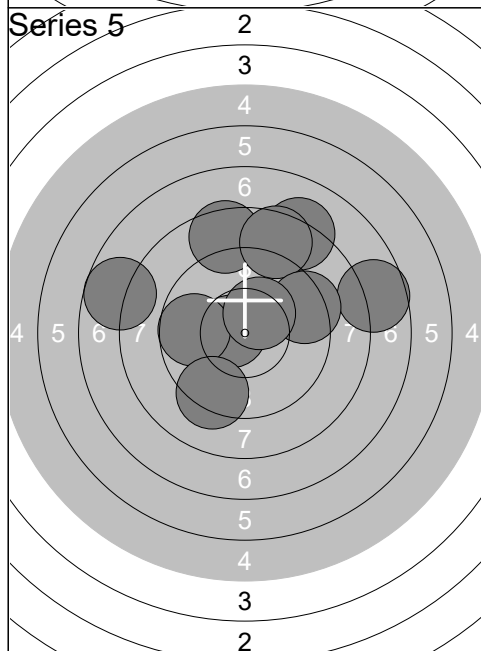
1:	7.3	←
2:	8.8	↖
3:	8.9	↗
4:	9.2	↖
5:	9.5	↗
6:	9.1	↗
7:	10.0	↖
8:	9.2	↑
9:	5.4	←
10:	8.1	↗
Series	85.5	
	176.2	



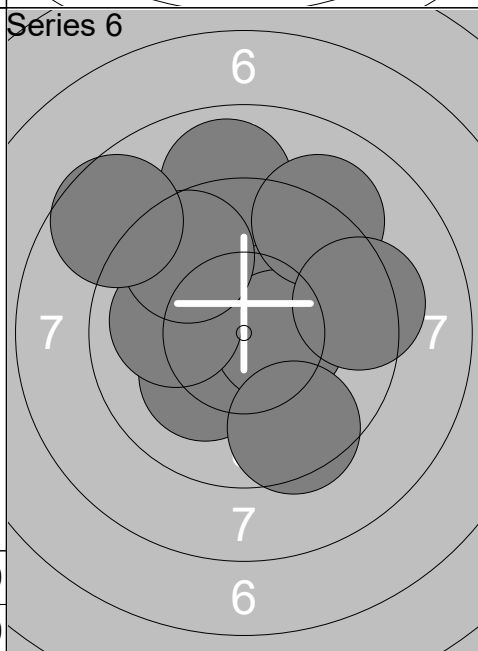
1:	8.0	←
2:	10.6x	↗
3:	9.2	→
4:	9.6	↑
5:	9.2	↑
6:	9.0	→
7:	9.4	↖
8:	9.2	↑
9:	8.9	↗
10:	7.6	↗
Series	90.7	
	266.9	



1:	9.2	↗
2:	9.4	↖
3:	8.6	↗
4:	10.7x	↙
5:	10.2x	↘
6:	9.3	↑
7:	10.5x	↗
8:	7.6	←
9:	9.3	↗
10:	10.3x	↙
Series	95.1	
	362.0	



1:	8.6	↑
2:	8.2	↗
3:	10.6x	↙
4:	8.6	↑
5:	7.7	→
6:	9.7	←
7:	9.3	↘
8:	9.3	↗
9:	7.7	←
10:	10.3x	↗
Series	90.0	
	452.0	



1:	10.2x	↙
2:	10.2x	↑
3:	10.5x	→
4:	10.0	←
5:	8.9	↑
6:	9.6	↖
7:	9.1	↗
8:	8.7	↖
9:	9.4	→
10:	9.5	↘
Series	96.1	
	548.1	