

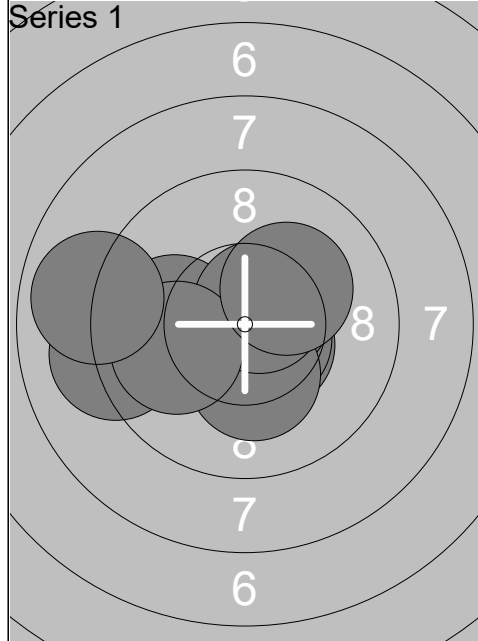
Relay	Lane	Amanda Karlsson		
6	2	SWE	W	R
Qual Day 1		Denmark Open Air 2026		Denmark Open Air 2026
11.02.2026				
Series 1 	1: 10.6x ↑	Series 2 	1: 10.8x ↑	
	2: 10.1 →		2: 10.4x ↗	
	3: 10.2x ↖		3: 10.6x ←	
	4: 10.2x ←		4: 9.9 →	
	5: 10.6x →		5: 10.5x ←	
	6: 10.2x ↖		6: 10.6x ↑	
	7: 10.0 ↑		7: 10.6x ↓	
	8: 10.7x ←		8: 10.8x ←	
	9: 10.2x →		9: 10.4x →	
	10: 10.9x ↑		10: 10.8x ↓	
	Series 103.7	Series 105.4		
	103.7		209.1	
Series 3 	1: 9.8 ↓	Series 4 	1: 10.4x ↗	
	2: 10.7x ←		2: 10.7x ↓	
	3: 10.1 ↙		3: 10.5x ↖	
	4: 9.9 ↗		4: 10.7x ↓	
	5: 10.0 ←		5: 10.7x ↓	
	6: 10.5x ↓		6: 10.3x ↑	
	7: 9.7 ↓		7: 10.8x →	
	8: 10.7x ↓		8: 10.6x ↓	
	9: 10.7x ↗		9: 10.7x ↑	
	10: 10.7x ↗		10: 10.2x ↖	
	Series 102.8	Series 105.6		
	311.9		417.5	
Series 5 	1: 9.7 ←	Series 6 	1: 10.8x →	
	2: 10.3x ↓		2: 10.9x ↓	
	3: 10.1 ↑		3: 10.4x ↑	
	4: 10.3x ↗		4: 10.7x ↗	
	5: 10.1 ←		5: 10.4x ↓	
	6: 10.3x ↖		6: 10.7x ←	
	7: 10.2x ↖		7: 10.4x →	
	8: 10.7x ↖		8: 10.6x ↖	
	9: 10.4x ↓		9: 10.9x ↖	
	10: 10.3x →		10: 10.2x ↖	
	Series 102.4	Series 106.0		
	519.9		625.9	

Relay	Lane	Anna Pedersen		
6	3	DEN	W	R
Qual Day 1		Denmark Open Air 2026		Denmark Open Air 2026
11.02.2026				
Series 1 	1: 10.6x ↗	Series 2 	1: 10.0 →	
	2: 10.7x ↑		2: 10.0 ←	
	3: 10.3x ↑		3: 9.8 ↘	
	4: 10.2x ↑		4: 9.9 →	
	5: 10.8x ↙		5: 10.5x ↗	
	6: 9.5 ↑		6: 9.9 →	
	7: 10.5x ↘		7: 10.1 ←	
	8: 10.5x ↘		8: 10.4x ↖	
	9: 10.6x ↗		9: 10.6x →	
	10: 10.8x ↓		10: 10.0 →	
	Series 104.5	Series 101.2		
	104.5	205.7		
Series 3 	1: 10.6x ↗	Series 4 	1: 10.6x ↗	
	2: 10.3x ←		2: 10.2x ↙	
	3: 9.2 →		3: 10.2x ←	
	4: 10.8x ↖		4: 10.5x ↑	
	5: 10.2x →		5: 9.8 ←	
	6: 10.4x ↗		6: 10.3x ↗	
	7: 9.2 ↗		7: 9.7 →	
	8: 10.5x ↓		8: 10.4x ↓	
	9: 10.0 ↓		9: 10.6x ↓	
	10: 10.4x ↙		10: 10.6x ↘	
	Series 101.6	Series 102.9		
	307.3	410.2		
Series 5 	1: 10.2x →	Series 6 	1: 9.1 ←	
	2: 10.1 ↗		2: 10.4x ↘	
	3: 10.1 →		3: 10.0 ↙	
	4: 10.5x ↘		4: 10.6x →	
	5: 9.9 ↑		5: 9.7 →	
	6: 10.4x →		6: 10.4x ↙	
	7: 10.3x ↖		7: 9.5 ←	
	8: 9.8 →		8: 10.5x ↖	
	9: 10.2x ←		9: 10.8x →	
	10: 9.6 →		10: 10.8x ↙	
	Series 101.1	Series 101.8		
	511.3	613.1		

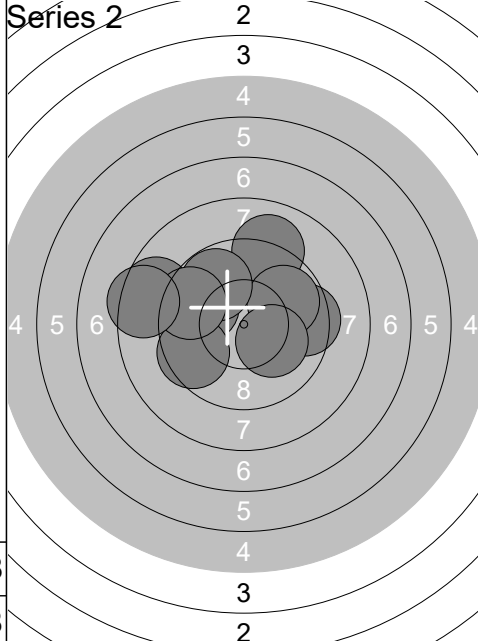
Relay	Lane	Anna Skade Nielsen		
6	4	DEN	W	R
Qual Day 1		Denmark Open Air 2026		Denmark Open Air 2026
11.02.2026		Denmark Open Air 2026		Denmark Open Air 2026
Series 1 	1: 10.7x ↗	Series 2 	1: 10.0 ↖	
	2: 10.0 ←		2: 10.8x →	
	3: 9.1 ←		3: 10.3x ↙	
	4: 10.3x ↖		4: 10.5x ↙	
	5: 10.2x ↗		5: 10.6x ↗	
	6: 10.3x ↘		6: 10.5x ↖	
	7: 10.4x →		7: 10.3x ↗	
	8: 10.5x ↗		8: 10.2x ↙	
	9: 10.6x ↗		9: 10.7x ↙	
	10: 10.4x ↘		10: 10.6x ↘	
	Series 102.5		Series 104.5	
	102.5		207.0	
Series 3 	1: 10.3x →	Series 4 	1: 10.7x ↗	
	2: 10.4x ↗		2: 10.3x ↙	
	3: 10.5x ↙		3: 10.4x ↗	
	4: 10.9x ↙		4: 10.3x →	
	5: 10.5x ↖		5: 10.5x ↗	
	6: 10.8x ↗		6: 10.3x ↘	
	7: 10.0 ↗		7: 10.8x ↘	
	8: 10.7x →		8: 10.4x →	
	9: 10.3x ↘		9: 10.5x ↗	
	10: 10.5x ↗		10: 10.9x ↙	
	Series 104.9		Series 105.1	
	311.9		417.0	
Series 5 	1: 10.6x →	Series 6 	1: 10.5x ↗	
	2: 10.1 ↘		2: 9.7 ↘	
	3: 10.2x ↗		3: 10.6x ↗	
	4: 10.6x →		4: 10.5x ↗	
	5: 10.3x ↗		5: 10.4x ↗	
	6: 10.7x ↗		6: 10.8x ↖	
	7: 10.3x →		7: 10.7x →	
	8: 10.7x ↙		8: 10.4x →	
	9: 10.4x ↗		9: 10.4x ↖	
	10: 10.4x ↙		10: 10.5x ↗	
	Series 104.3		Series 104.5	
	521.3		625.8	

Relay	Lane	Betina Petersen		
6	6	DEN	W	R
Qual Day 1		Denmark Open Air 2026		Denmark Open Air 2026
11.02.2026				
Series 1 	1: 10.1 ←	Series 2 	1: 9.9 →	
	2: 10.7x ↗		2: 10.1 ←	
	3: 10.3x →		3: 10.6x ↗	
	4: 10.2x →		4: 10.7x ↘	
	5: 10.1 ←		5: 10.6x ↗	
	6: 10.0 →		6: 9.9 ↙	
	7: 10.5x →		7: 10.7x ←	
	8: 10.2x →		8: 10.8x ↙	
	9: 10.8x ↘		9: 9.9 ←	
	10: 10.3x ←		10: 10.2x ↓	
	Series 103.2		Series 103.4	
	103.2		206.6	
Series 3 	1: 10.6x ↓	Series 4 	1: 10.3x ↗	
	2: 10.5x ↙		2: 10.1 ←	
	3: 10.3x ↗		3: 10.6x ←	
	4: 9.5 ←		4: 10.9x ←	
	5: 10.4x ↘		5: 10.6x ↗	
	6: 10.1 ↗		6: 10.1 ↙	
	7: 10.7x →		7: 10.5x →	
	8: 10.5x ↙		8: 10.6x ↘	
	9: 10.7x ←		9: 10.7x ↘	
	10: 10.6x ←		10: 10.8x ↓	
	Series 103.9		Series 105.2	
	310.5		415.7	
Series 5 	1: 10.2x ↘	Series 6 	1: 10.8x ↗	
	2: 10.4x →		2: 9.7 ←	
	3: 10.3x ↘		3: 10.7x →	
	4: 10.3x ↗		4: 10.2x ←	
	5: 10.3x ↗		5: 10.5x ←	
	6: 9.9 →		6: 10.5x ↙	
	7: 10.1 ↓		7: 9.9 →	
	8: 10.2x →		8: 10.3x ↘	
	9: 10.1 ↓		9: 10.3x ↘	
	10: 10.3x ↘		10: 10.0 →	
	Series 102.1		Series 102.9	
	517.8		620.7	

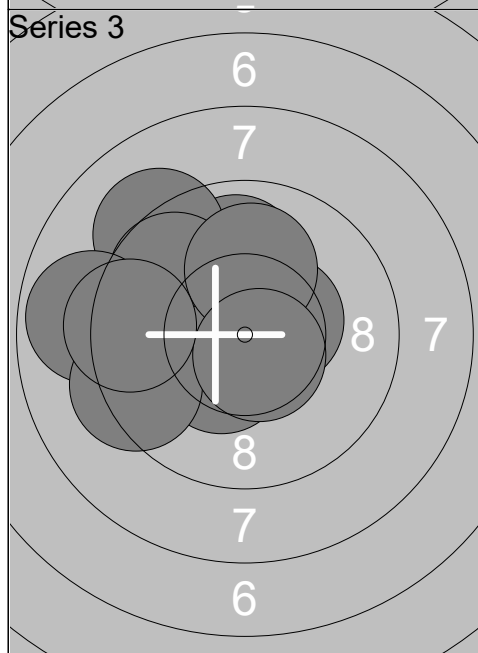
Relay	Lane	Caroline Finnestad Lund		
6	7	NOR	W	R
Qual Day 1		Denmark Open Air 2026		Denmark Open Air 2026
11.02.2026				
Series 1 	1: 10.6x →	Series 2 	1: 10.1 ↗	
	2: 10.6x ↗		2: 9.5 ←	
	3: 10.6x ↓		3: 10.8x ↗	
	4: 10.1 →		4: 9.6 →	
	5: 10.2x ↖		5: 10.2x ↗	
	6: 10.3x ↗		6: 10.2x ↓	
	7: 10.3x ←		7: 10.8x ←	
	8: 10.3x ↖		8: 10.3x →	
	9: 10.6x ←		9: 10.4x →	
	10: 10.4x →		10: 10.2x ↖	
	Series 104.0	Series 102.1		
	104.0	206.1		
Series 3 	1: 10.6x ↑	Series 4 	1: 10.5x →	
	2: 10.7x ↖		2: 10.6x ↓	
	3: 10.7x ↗		3: 10.7x ←	
	4: 10.0 ↑		4: 10.6x ↖	
	5: 10.4x ←		5: 10.2x ↗	
	6: 10.5x ↓		6: 10.5x ↓	
	7: 10.2x ↑		7: 10.4x →	
	8: 10.0 ←		8: 10.5x ↖	
	9: 10.7x ↓		9: 10.5x ↗	
	10: 10.6x ↓		10: 10.7x ↓	
	Series 104.4	Series 105.2		
	310.5	415.7		
Series 5 	1: 10.5x →	Series 6 	1: 10.6x ↗	
	2: 10.8x ↗		2: 10.9x	
	3: 10.2x ↓		3: 10.4x →	
	4: 10.2x →		4: 10.3x ↖	
	5: 10.4x ←		5: 10.6x →	
	6: 10.3x ←		6: 10.3x ↓	
	7: 10.7x ↑		7: 10.5x ←	
	8: 10.4x ↗		8: 10.3x ↗	
	9: 10.1 →		9: 10.7x ↓	
	10: 10.2x →		10: 10.2x ↖	
	Series 103.8	Series 104.8		
	519.5	624.3		



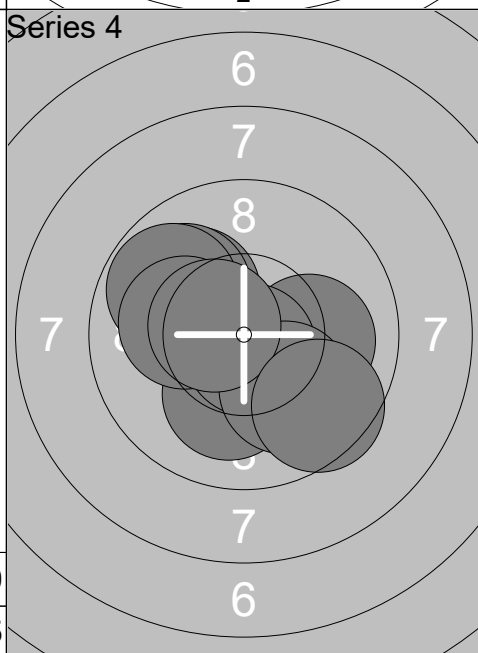
1:	10.0	←
2:	9.1	←
3:	10.5x	↘
4:	10.6x	↘
5:	10.6x	↗
6:	10.3x	↓
7:	10.6x	↗
8:	10.0	←
9:	8.9	←
10:	10.2x	↗
Series	100.8	
	100.8	



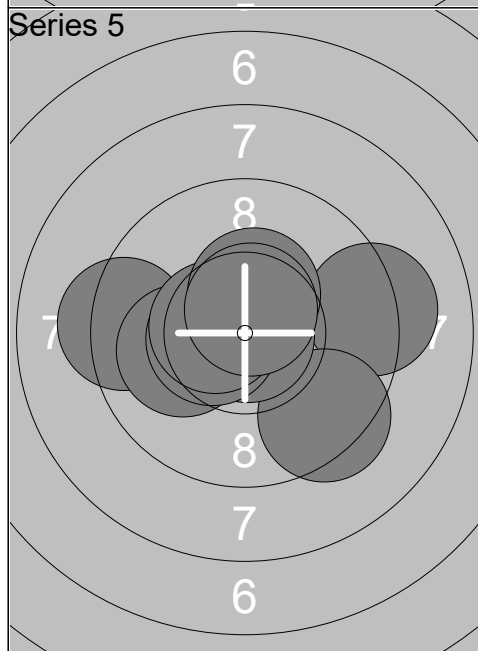
1:	9.9	↖
2:	9.6	↖
3:	9.1	↗
4:	9.5	→
5:	9.9	↗
6:	10.2x	↘
7:	9.8	↗
8:	8.7	←
9:	9.6	←
10:	8.4	←
Series	94.7	
	195.5	



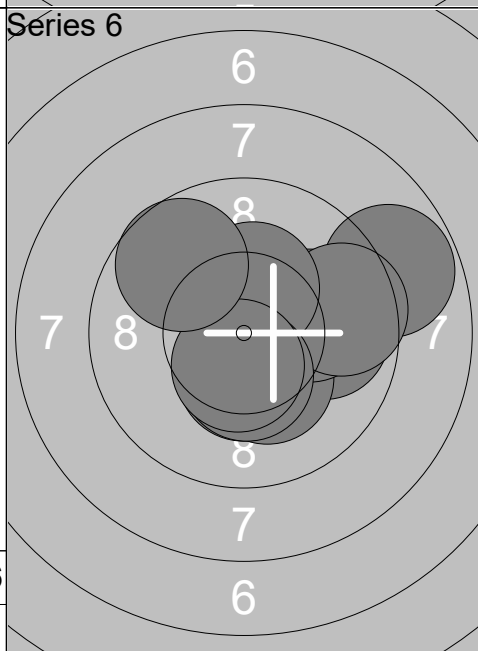
1:	9.9	↗
2:	9.2	↗
3:	9.7	↖
4:	8.9	←
5:	10.4x	↘
6:	10.5x	↗
7:	10.1	↗
8:	9.3	←
9:	10.6x	↘
10:	9.4	←
Series	98.0	
	293.5	



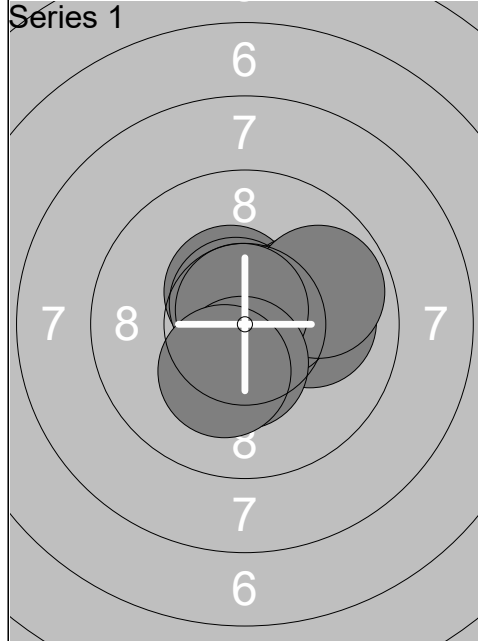
1:	10.1	↓
2:	10.1	↗
3:	10.1	→
4:	10.0	↗
5:	9.8	↖
6:	10.1	←
7:	10.7x	↓
8:	10.0	↘
9:	10.5x	↖
10:	9.6	↘
Series	101.0	
	394.5	



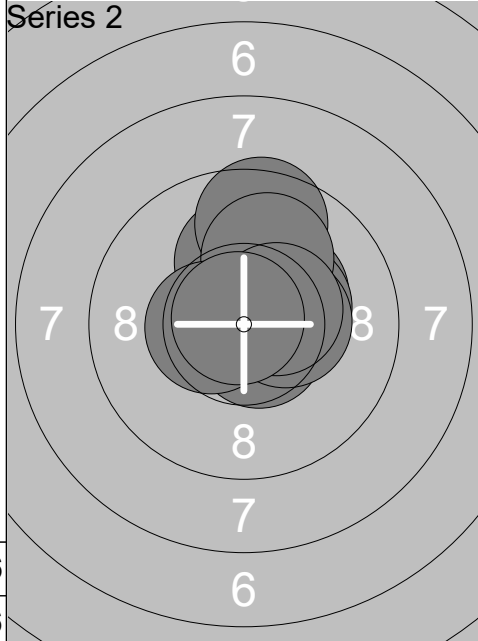
1:	9.3	←
2:	10.1	←
3:	9.2	→
4:	9.4	↘
5:	10.7x	↖
6:	10.9x	↘
7:	10.5x	↖
8:	10.5x	↖
9:	10.4x	↗
10:	10.6x	↗
Series	101.6	
	496.1	



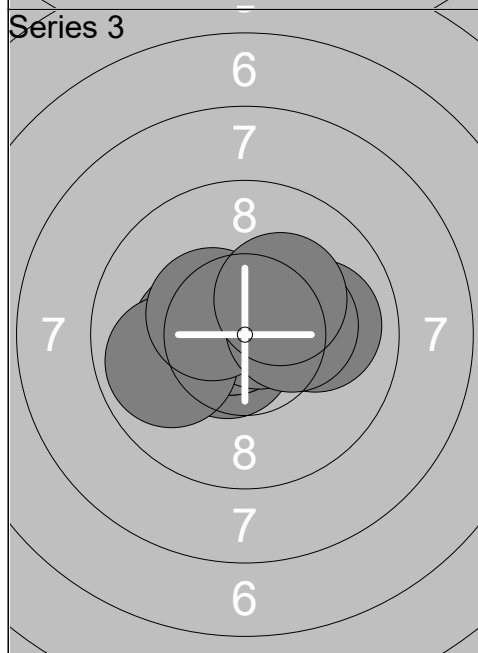
1:	9.9	→
2:	8.8	↗
3:	10.3x	↘
4:	10.1	→
5:	9.6	→
6:	10.3x	↗
7:	10.4x	↓
8:	10.4x	↓
9:	10.5x	↘
10:	9.7	↖
Series	100.0	
	596.1	



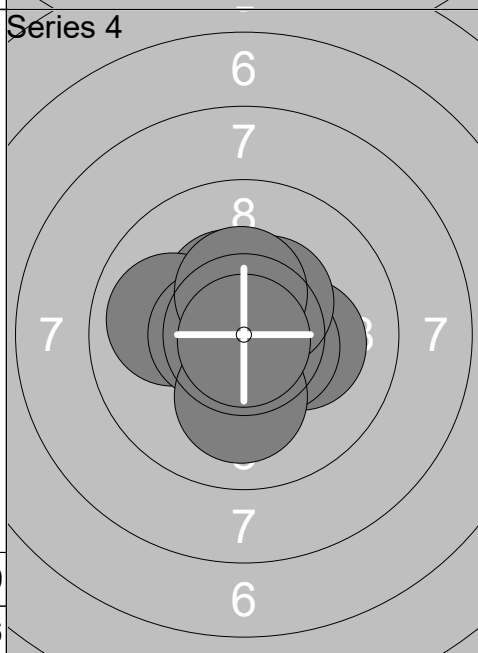
1:	10.5x ↖
2:	10.5x ↓
3:	10.7x ↖
4:	10.1 →
5:	10.1 →
6:	10.5x →
7:	9.9 →
8:	10.7x ↑
9:	10.4x ↓
10:	10.2x ↓
Series	103.6
	103.6



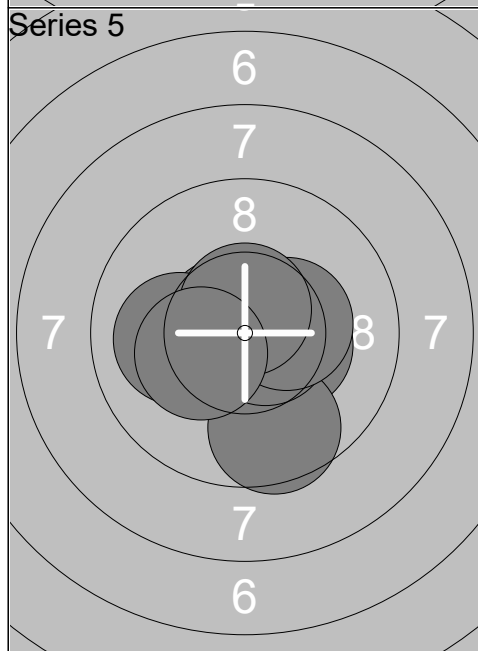
1:	10.3x ↗
2:	10.1 ↑
3:	10.3x →
4:	9.6 ↑
5:	10.6x ↘
6:	10.4x →
7:	10.0 ↑
8:	10.5x →
9:	10.5x ←
10:	10.8x ↖
Series	103.1
	206.7



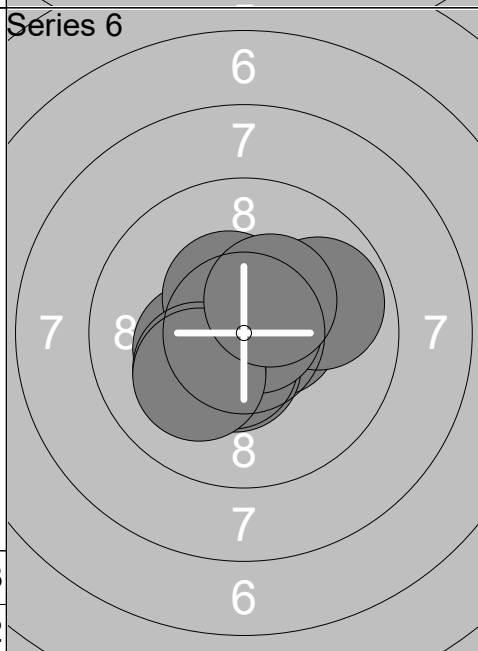
1:	10.3x ←
2:	10.6x ↘
3:	10.7x ←
4:	10.7x ←
5:	10.7x ↗
6:	9.9 ←
7:	10.0 →
8:	10.4x ↖
9:	10.3x →
10:	10.3x ↗
Series	103.9
	310.6



1:	10.4x ↖
2:	10.0 ←
3:	10.2x →
4:	10.8x ↗
5:	10.5x →
6:	10.4x ↗
7:	10.6x ←
8:	10.4x ↑
9:	10.1 ↓
10:	10.9x ↓
Series	104.3
	414.9

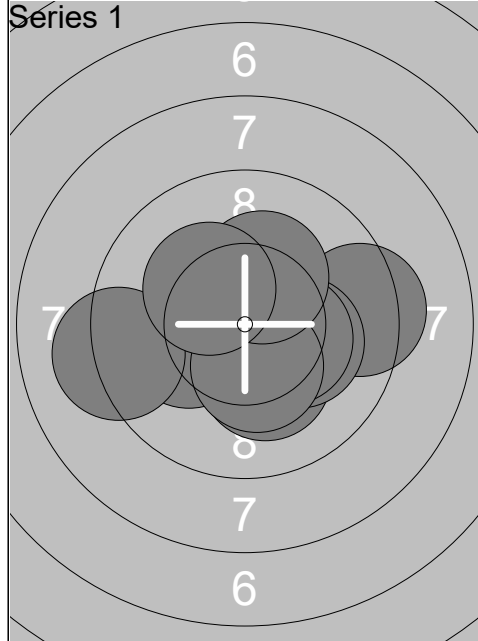


1:	10.4x →
2:	10.7x ↖
3:	10.6x →
4:	10.9x ↑
5:	9.6 ↓
6:	10.7x →
7:	10.4x →
8:	10.1 ←
9:	10.6x ↑
10:	10.3x ←
Series	104.3
	519.2

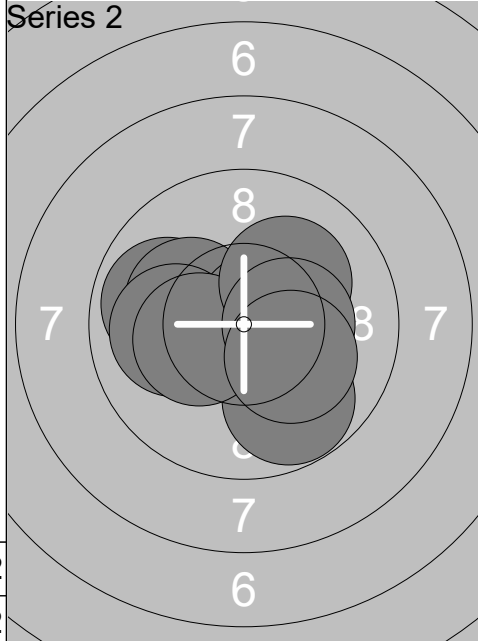


1:	10.6x →
2:	10.5x ↓
3:	10.5x ↓
4:	9.9 →
5:	10.8x →
6:	10.3x ←
7:	10.4x ↖
8:	10.2x ↘
9:	10.1 ↘
10:	10.4x ↗
Series	103.7
	622.9

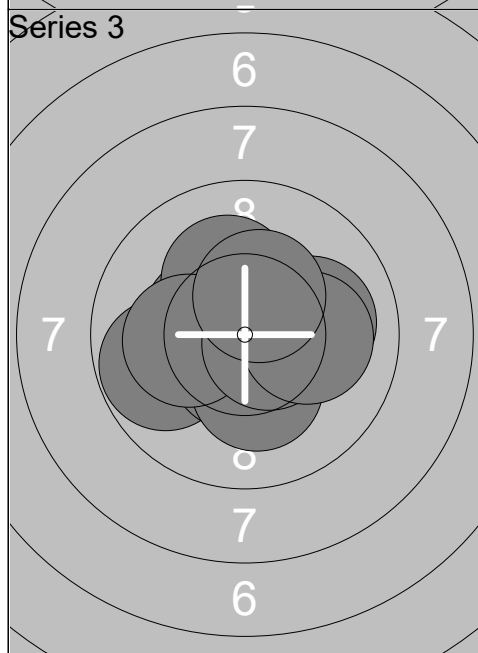
Relay	Lane	Essi Heiskanen			
6	10	FIN		W	R
Qual Day 1		Denmark Open Air 2026		Denmark Open Air 2026	
11.02.2026					
Series 1 	1: 10.7x ↖	Series 2 	1: 10.2x ↖		
	2: 10.1 ↙		2: 10.7x →		
	3: 10.7x ↙		3: 10.1 ↘		
	4: 10.5x ↘		4: 10.1 ↖		
	5: 10.6x ↖		5: 9.9 ↘		
	6: 10.2x ↙		6: 10.4x ↙		
	7: 10.3x ↙		7: 10.3x ↘		
	8: 10.3x ↘		8: 10.2x ↖		
	9: 10.3x ↙		9: 10.1 ↓		
	10: 10.6x ↘		10: 10.6x ↙		
	Series 104.3		Series 102.6		
	104.3		206.9		
Series 3 	1: 10.0 ↖	Series 4 	1: 10.6x ↗		
	2: 10.6x ↖		2: 10.1 ↑		
	3: 10.6x ↗		3: 10.1 ↙		
	4: 10.8x ↘		4: 9.9 ↖		
	5: 10.1 ↘		5: 10.1 ←		
	6: 10.9x ↙		6: 10.3x →		
	7: 9.5 ↘		7: 10.5x ↘		
	8: 10.8x ↘		8: 10.9x ↗		
	9: 10.7x ↖		9: 10.4x ↙		
	10: 10.6x ↘		10: 10.4x →		
	Series 104.6		Series 103.3		
	311.5		414.8		
Series 5 	1: 10.2x ↓	Series 6 	1: 10.2x ↙		
	2: 10.6x ↖		2: 10.4x ↘		
	3: 10.3x ↙		3: 10.2x →		
	4: 10.8x ↙		4: 10.5x ↖		
	5: 9.6 →		5: 9.8 ↓		
	6: 9.5 ↓		6: 10.1 →		
	7: 10.7x →		7: 10.2x ↙		
	8: 10.2x ↓		8: 10.2x ↗		
	9: 10.3x ↗		9: 10.7x ↗		
	10: 10.7x ↑		10: 10.3x ↙		
	Series 102.9		Series 102.6		
	517.7		620.3		



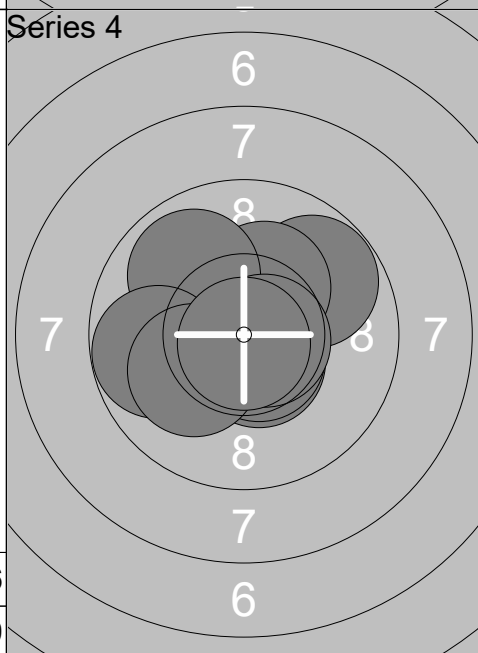
1:	9.4	→
2:	10.7x	↘
3:	10.2x	↘
4:	10.2x	→
5:	10.1	←
6:	10.4x	→
7:	9.2	←
8:	10.4x	↘
9:	10.3x	↗
10:	10.3x	↖
Series	101.2	
	101.2	



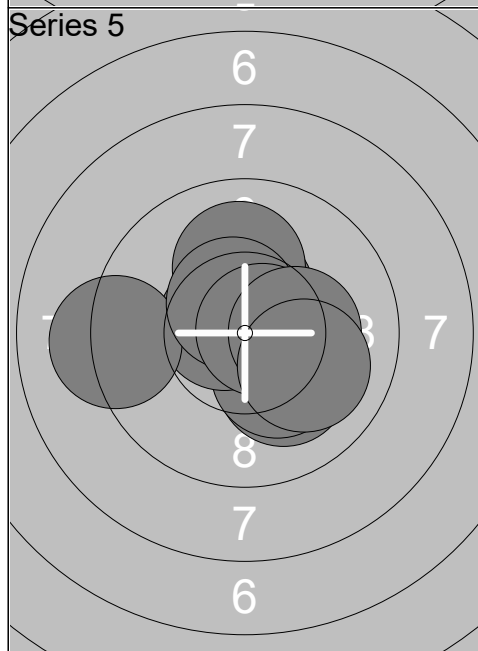
1:	10.6x	→
2:	9.9	←
3:	9.8	↘
4:	10.2x	↖
5:	10.7x	→
6:	10.0	←
7:	10.3x	←
8:	10.1	↗
9:	10.3x	→
10:	10.2x	↘
Series	102.1	
	203.3	



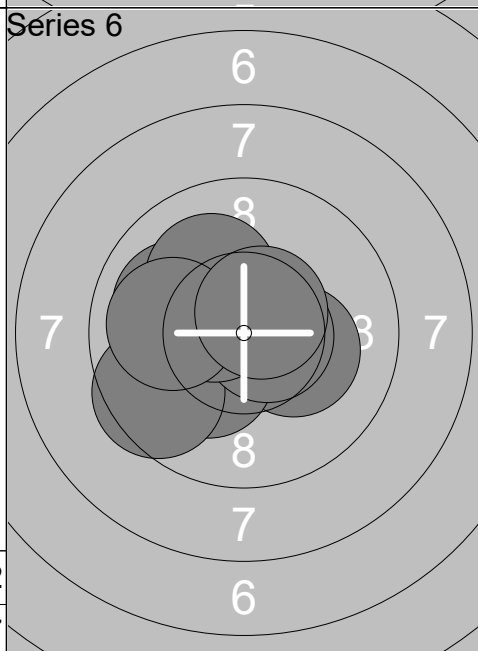
1:	9.8	←
2:	10.5x	↘
3:	10.4x	↖
4:	10.3x	↘
5:	10.2x	↗
6:	10.1	→
7:	10.2x	←
8:	10.6x	→
9:	10.1	→
10:	10.4x	↗
Series	102.6	
	305.9	



1:	9.8	↗
2:	10.6x	↘
3:	10.2x	↗
4:	10.6x	↘
5:	10.1	←
6:	9.9	↖
7:	10.7x	→
8:	9.8	←
9:	10.1	←
10:	10.8x	↘
Series	102.6	
	408.5	



1:	10.1	↘
2:	10.4x	↗
3:	10.3x	↘
4:	10.6x	↖
5:	10.1	↗
6:	9.2	←
7:	10.5x	↗
8:	10.7x	→
9:	10.3x	→
10:	10.0	↘
Series	102.2	
	510.7	



1:	10.2x	→
2:	10.1	←
3:	10.3x	↘
4:	9.5	←
5:	10.6x	→
6:	10.0	←
7:	10.5x	↖
8:	10.1	↖
9:	10.0	←
10:	10.6x	↗
Series	101.9	
	612.6	

Relay	Lane	Helle Bertelsen		
6	12	DEN	W	R
Qual Day 1		Denmark Open Air 2026		Denmark Open Air 2026
11.02.2026				
Series 1 	1: 10.6x →	Series 2 	1: 10.8x ↙	
	2: 10.5x ←		2: 10.4x →	
	3: 10.1 ↖		3: 10.6x ↑	
	4: 10.3x ↑		4: 10.8x ↘	
	5: 10.2x ↑		5: 10.1 →	
	6: 10.3x ↖		6: 10.3x ↖	
	7: 10.1 ↖		7: 10.6x ↖	
	8: 10.1 →		8: 10.6x ↑	
	9: 10.3x ↖		9: 10.6x ↖	
	10: 10.4x ↗		10: 10.3x ↑	
	Series 102.9		Series 105.1	
	102.9		208.0	
Series 3 	1: 10.5x ↗	Series 4 	1: 10.6x ↖	
	2: 10.4x ↓		2: 10.5x →	
	3: 10.7x ↘		3: 10.2x →	
	4: 10.3x ↖		4: 10.1 ↑	
	5: 10.2x ↖		5: 10.5x →	
	6: 9.0 →		6: 9.8 ↖	
	7: 10.6x →		7: 10.2x ↖	
	8: 10.7x ↗		8: 10.4x →	
	9: 10.7x ↓		9: 10.3x ↖	
	10: 10.4x ↓		10: 10.0 →	
	Series 103.5		Series 102.6	
	311.5		414.1	
Series 5 	1: 10.3x ↗	Series 6 	1: 10.1 →	
	2: 10.3x ↓		2: 10.6x ↖	
	3: 10.6x ↓		3: 10.2x ↖	
	4: 10.7x ↗		4: 9.9 ↓	
	5: 10.7x ↖		5: 9.9 ↖	
	6: 10.3x ↗		6: 10.6x ↗	
	7: 9.9 →		7: 10.5x ↖	
	8: 10.8x ↓		8: 10.9x ↖	
	9: 10.0 →		9: 10.8x ↗	
	10: 10.3x ↖		10: 10.4x ↖	
	Series 103.9		Series 103.9	
	518.0		621.9	

Relay	Lane	Isabel de Vries		
6	13	NED	W	R
Qual Day 1		Denmark Open Air 2026		Denmark Open Air 2026
11.02.2026				
Series 1 	1: 10.4x ↓	Series 2 	1: 10.3x ↙	
	2: 9.9 →		2: 10.6x ↙	
	3: 10.1 →		3: 10.1 →	
	4: 10.1 ↑		4: 10.8x ↗	
	5: 10.8x ↘		5: 10.4x ↙	
	6: 9.8 ↗		6: 9.7 ↗	
	7: 10.5x ↘		7: 10.3x ↘	
	8: 9.9 →		8: 9.4 →	
	9: 10.4x ↗		9: 10.2x ↘	
	10: 10.8x →		10: 10.8x ↗	
	Series 102.7		Series 102.6	
	102.7		205.3	
Series 3 	1: 10.6x ↘	Series 4 	1: 10.7x ↗	
	2: 10.8x ↗		2: 10.3x ↖	
	3: 9.9 →		3: 10.4x ↗	
	4: 10.4x ↖		4: 10.5x →	
	5: 9.9 →		5: 9.3 ↗	
	6: 10.3x →		6: 9.5 ↗	
	7: 10.1 →		7: 10.1 →	
	8: 10.5x ↖		8: 10.7x ↘	
	9: 10.6x ↖		9: 10.8x ↖	
	10: 10.1 ↖		10: 9.9 ↖	
	Series 103.2		Series 102.2	
	308.5		410.7	
Series 5 	1: 10.4x ↘	Series 6 	1: 10.8x ↑	
	2: 10.7x ↘		2: 10.7x ↖	
	3: 10.1 ↘		3: 10.6x ↖	
	4: 10.6x ↗		4: 10.8x ↘	
	5: 10.8x →		5: 10.6x ↗	
	6: 9.7 ↗		6: 10.0 ↖	
	7: 10.5x ↘		7: 10.5x ↑	
	8: 9.7 →		8: 10.1 ↖	
	9: 10.8x ↘		9: 10.5x ↖	
	10: 10.6x ↖		10: 10.4x →	
	Series 103.9		Series 105.0	
	514.6		619.6	

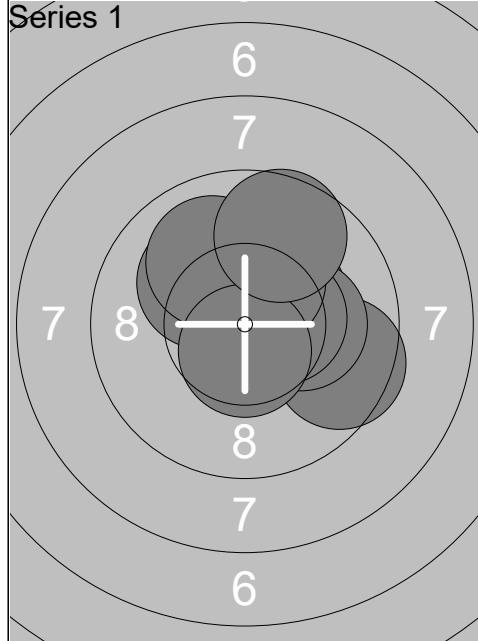
Relay	Lane	Isabelle Johansson		
6	14	SWE	W	R
Qual Day 1		Denmark Open Air 2026		Denmark Open Air 2026
11.02.2026				
Series 1 	1: 10.7x →	Series 2 	1: 10.3x →	
	2: 10.5x →		2: 10.4x →	
	3: 10.4x →		3: 10.7x →	
	4: 10.0 →		4: 10.3x ↑	
	5: 10.8x →		5: 10.4x ↑	
	6: 10.4x →		6: 10.4x ↗	
	7: 9.9 ←		7: 10.2x →	
	8: 10.4x ↗		8: 10.7x ↘	
	9: 10.1 ←		9: 10.4x ↘	
	10: 10.1 ↖		10: 10.1 ←	
	Series 103.3		Series 103.9	
	103.3		207.2	
Series 3 	1: 10.4x ←	Series 4 	1: 10.5x →	
	2: 10.0 ←		2: 10.7x ↗	
	3: 10.6x ↗		3: 10.4x →	
	4: 10.7x ←		4: 10.5x ↑	
	5: 9.8 →		5: 9.5 →	
	6: 10.6x ↘		6: 10.4x ↘	
	7: 10.8x ↗		7: 9.9 ↓	
	8: 10.2x ↓		8: 10.3x ↓	
	9: 10.5x ↗		9: 10.8x ↘	
	10: 10.0 ↑		10: 10.5x ↗	
	Series 103.6		Series 103.5	
	310.8		414.3	
Series 5 	1: 10.6x ↘	Series 6 	1: 10.7x ↓	
	2: 10.9x ↗		2: 10.6x ↑	
	3: 10.8x ↓		3: 10.7x ↓	
	4: 10.3x ←		4: 9.9 ↓	
	5: 10.7x ↗		5: 10.2x →	
	6: 10.3x ←		6: 10.1 ↑	
	7: 10.8x →		7: 10.4x ↗	
	8: 10.7x ↓		8: 10.7x →	
	9: 10.9x ←		9: 10.8x ↑	
	10: 10.1 →		10: 10.5x ←	
	Series 106.1		Series 104.6	
	520.4		625.0	

Relay	Lane	Kamilla Jørgensen		
6	15	DEN	W	R
Qual Day 1		Denmark Open Air 2026		Denmark Open Air 2026
11.02.2026		Denmark Open Air 2026		Denmark Open Air 2026
Series 1 	1: 9.5 ↙	Series 2 	1: 10.3x →	
	2: 10.4x ↓		2: 10.2x ↑	
	3: 10.1 ↙		3: 10.2x ↗	
4: 10.7x ↘	4: 10.2x ↖	4: 10.2x ↖	4: 10.2x ↖	
5: 10.4x ↑	5: 10.1 ↙	5: 10.1 ↙	5: 10.1 ↙	
6: 10.7x ↗	6: 10.6x ↖	6: 10.6x ↖	6: 10.6x ↖	
7: 10.4x →	7: 10.2x →	7: 10.2x →	7: 10.2x →	
8: 9.8 →	8: 10.3x ↘	8: 10.3x ↘	8: 10.3x ↘	
9: 9.8 ↑	9: 10.2x ↗	9: 10.2x ↗	9: 10.2x ↗	
10: 10.4x ↗	10: 10.0 ↙	10: 10.0 ↙	10: 10.0 ↙	
Series	102.2	Series	102.3	
	102.2		204.5	
Series 3 	1: 10.0 ↘	Series 4 	1: 10.4x →	
	2: 10.5x ↙		2: 10.7x ↑	
	3: 9.9 ↙		3: 10.6x ↖	
4: 10.5x ↓	4: 10.6x ↖	4: 10.6x ↖	4: 10.6x ↖	
5: 10.4x →	5: 10.1 ↙	5: 10.1 ↙	5: 10.1 ↙	
6: 10.7x ↗	6: 10.2x ↓	6: 10.2x ↓	6: 10.2x ↓	
7: 10.4x ↖	7: 10.5x ↘	7: 10.5x ↘	7: 10.5x ↘	
8: 10.4x ↓	8: 9.8 ↗	8: 9.8 ↗	8: 9.8 ↗	
9: 10.7x ↙	9: 10.2x ↖	9: 10.2x ↖	9: 10.2x ↖	
10: 10.3x ↙	10: 10.2x ↙	10: 10.2x ↙	10: 10.2x ↙	
Series	103.8	Series	103.3	
	308.3		411.6	
Series 5 	1: 9.2 ↙	Series 6 	1: 10.2x →	
	2: 10.5x ↖		2: 10.1 ↙	
	3: 10.2x ↑		3: 10.6x ↖	
4: 9.0 ↙	4: 10.2x ↓	4: 10.2x ↓	4: 10.2x ↓	
5: 10.8x ↓	5: 10.3x ↓	5: 10.3x ↓	5: 10.3x ↓	
6: 10.4x ↓	6: 10.6x ↗	6: 10.6x ↗	6: 10.6x ↗	
7: 10.2x ↖	7: 10.5x ↓	7: 10.5x ↓	7: 10.5x ↓	
8: 10.4x ↙	8: 10.0 ↑	8: 10.0 ↑	8: 10.0 ↑	
9: 9.9 ↙	9: 10.2x ↘	9: 10.2x ↘	9: 10.2x ↘	
10: 10.6x ↑	10: 8.9 ↙	10: 8.9 ↙	10: 8.9 ↙	
Series	101.2	Series	101.6	
	512.8		614.4	

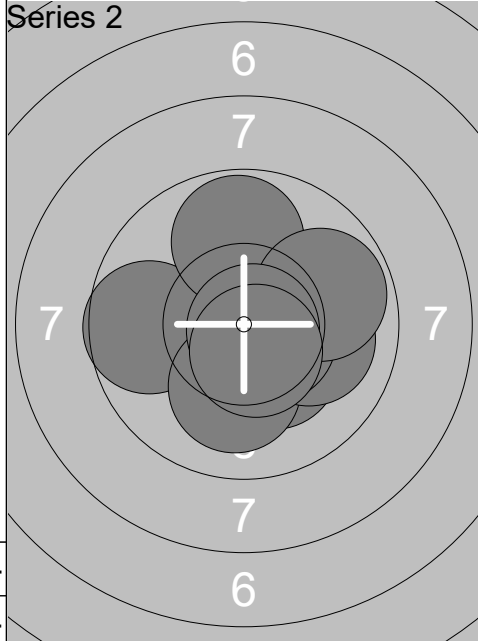
Relay	Lane	Katrine Christensen		
6	16	DEN	W	R
Qual Day 1		Denmark Open Air 2026		Denmark Open Air 2026
11.02.2026		Denmark Open Air 2026		Denmark Open Air 2026
Series 1 	1: 10.8x ↗	Series 2 	1: 10.7x ↖	
	2: 10.6x ↖		2: 10.5x ↗	
	3: 10.6x ↗		3: 10.4x ↓	
	4: 10.1 ↓		4: 10.1 ↓	
	5: 10.4x ↓		5: 10.6x ➡	
	6: 9.4 ↖		6: 10.4x ←	
	7: 10.2x ↙		7: 10.4x ➡	
	8: 9.9 ➡		8: 10.2x ←	
	9: 10.6x ↓		9: 10.3x ➡	
	10: 10.5x ↓		10: 10.8x ➡	
	Series 103.1		Series 104.4	
	103.1		207.5	
Series 3 	1: 10.3x ➡	Series 4 	1: 9.9 ↓	
	2: 10.3x ↘		2: 10.5x ←	
	3: 10.4x ↓		3: 10.6x ←	
	4: 10.5x ↑		4: 10.4x ➡	
	5: 10.6x ←		5: 10.2x ➡	
	6: 10.6x ↓		6: 10.5x ↘	
	7: 10.5x ↓		7: 10.3x ➡	
	8: 10.4x ➡		8: 9.8 ↓	
	9: 10.4x ↘		9: 10.5x ←	
	10: 10.8x ↓		10: 10.0 ↗	
	Series 104.8		Series 102.7	
	312.3		415.0	
Series 5 	1: 10.4x ↓	Series 6 	1: 10.6x ←	
	2: 10.5x ↘		2: 10.2x ↓	
	3: 10.3x ↓		3: 10.3x ←	
	4: 10.1 ↖		4: 9.9 ↓	
	5: 10.6x ↗		5: 10.2x ↓	
	6: 10.2x ←		6: 9.4 ➡	
	7: 10.6x ↓		7: 10.2x ↙	
	8: 10.4x ↓		8: 9.7 ↓	
	9: 9.9 ↓		9: 10.2x ↓	
	10: 10.0 ↗		10: 9.7 ➡	
	Series 103.0		Series 100.4	
	518.0		618.4	

Relay	Lane	Maria Graversen		
6	17	DEN	W	R
Qual Day 1		Denmark Open Air 2026		Denmark Open Air 2026
11.02.2026				
Series 1 	1: 9.9 ↗	Series 2 	1: 10.5x ↘	
	2: 9.8 ↖		2: 10.8x ↗	
	3: 10.6x ↗		3: 10.6x ↖	
	4: 10.7x ↘		4: 10.6x ↗	
	5: 10.8x ↗		5: 10.2x ↗	
	6: 10.4x ↘		6: 10.6x ↖	
	7: 10.7x ↗		7: 10.0 ↘	
	8: 10.7x ↗		8: 10.7x ↘	
	9: 10.4x ↗		9: 10.5x ↗	
	10: 10.3x ↗		10: 10.8x ↗	
	Series 104.3		Series 105.3	
	104.3		209.6	
Series 3 	1: 10.6x ↖	Series 4 	1: 10.4x ↖	
	2: 10.5x ↘		2: 9.9 ↗	
	3: 10.7x ↖		3: 10.0 ↖	
	4: 10.6x ↗		4: 10.4x ↗	
	5: 10.2x ↗		5: 10.8x ↘	
	6: 10.7x ↖		6: 10.2x ↘	
	7: 10.5x ↗		7: 10.3x ↘	
	8: 10.7x ↘		8: 10.7x ↖	
	9: 10.6x ↘		9: 10.6x ↖	
	10: 10.6x ↗		10: 10.6x ↗	
	Series 105.7		Series 103.9	
	315.3		419.2	
Series 5 	1: 10.6x ↘	Series 6 	1: 10.6x ↗	
	2: 10.6x ↗		2: 10.7x ↗	
	3: 10.7x ↗		3: 10.0 ↗	
	4: 10.6x ↗		4: 10.8x ↖	
	5: 9.3 ↖		5: 10.5x ↘	
	6: 10.3x ↘		6: 10.6x ↘	
	7: 10.1 ↗		7: 10.5x ↘	
	8: 10.5x ↖		8: 10.5x ↖	
	9: 9.8 ↗		9: 9.9 ↗	
	10: 10.1 ↗		10: 10.7x ↗	
	Series 102.6		Series 104.8	
	521.8		626.6	

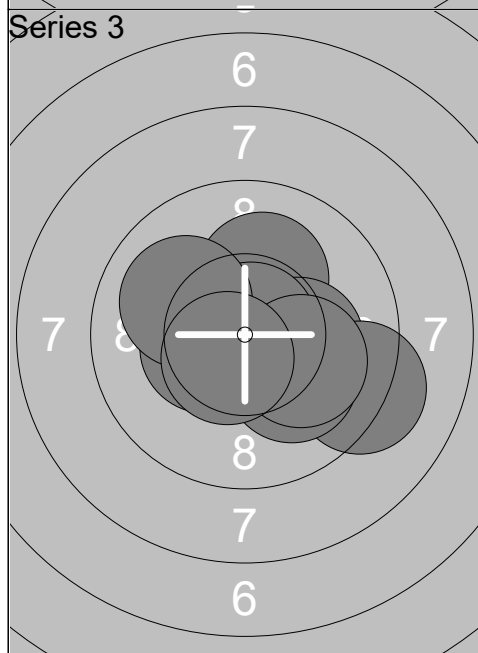
Relay	Lane	Martine Sve		
6	18	NOR	W	R
Qual Day 1		Denmark Open Air 2026		Denmark Open Air 2026
11.02.2026				
Series 1 	1: 10.5x ↗	Series 2 	1: 10.4x ↗	
	2: 10.2x ↙		2: 10.6x ↙	
	3: 10.3x ↗		3: 10.5x ↙	
	4: 10.7x ↗		4: 10.9x →	
	5: 10.0 ↗		5: 10.6x ↙	
	6: 10.5x ↙		6: 10.7x ↙	
	7: 10.3x ↗		7: 10.1 ↑	
	8: 10.5x ↙		8: 10.2x ↙	
	9: 10.6x ↗		9: 10.1 ←	
	10: 10.3x ↙		10: 10.2x ↗	
	Series 103.9		Series 104.3	
	103.9		208.2	
Series 3 	1: 10.1 ↗	Series 4 	1: 10.4x →	
	2: 10.3x ↙		2: 10.5x →	
	3: 10.9x ↓		3: 10.7x ↗	
	4: 10.7x ↗		4: 10.8x ↙	
	5: 10.6x ↗		5: 10.4x ↙	
	6: 10.8x ↙		6: 10.5x ↘	
	7: 10.7x →		7: 10.8x ↗	
	8: 10.1 ↗		8: 10.4x ↙	
	9: 10.4x ↘		9: 10.4x ↗	
	10: 10.3x →		10: 10.8x ↙	
	Series 104.9		Series 105.7	
	313.1		418.8	
Series 5 	1: 10.5x →	Series 6 	1: 10.8x ↙	
	2: 10.6x ↘		2: 10.5x ↙	
	3: 10.4x ↙		3: 10.8x ↙	
	4: 10.4x ↗		4: 10.5x ↗	
	5: 10.0 ↗		5: 10.5x ↙	
	6: 10.6x ↙		6: 10.8x ↗	
	7: 10.6x →		7: 10.4x ↙	
	8: 10.4x ↗		8: 10.3x ↗	
	9: 10.3x ↓		9: 10.7x ↓	
	10: 10.4x ↗		10: 10.4x →	
	Series 104.2		Series 105.7	
	523.0		628.7	



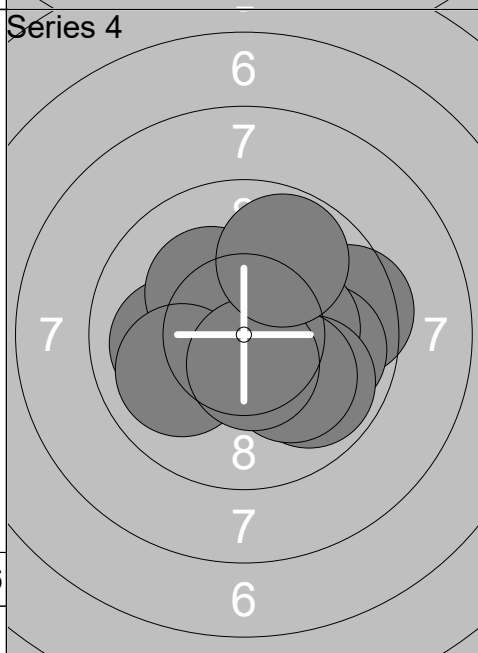
1:	9.6	➤
2:	10.4x	↗
3:	10.2x	➔
4:	10.9x	↗
5:	10.5x	➔
6:	10.3x	↗
7:	10.2x	↖
8:	10.0	↖
9:	10.6x	↓
10:	9.7	↗
Series	102.4	
	102.4	



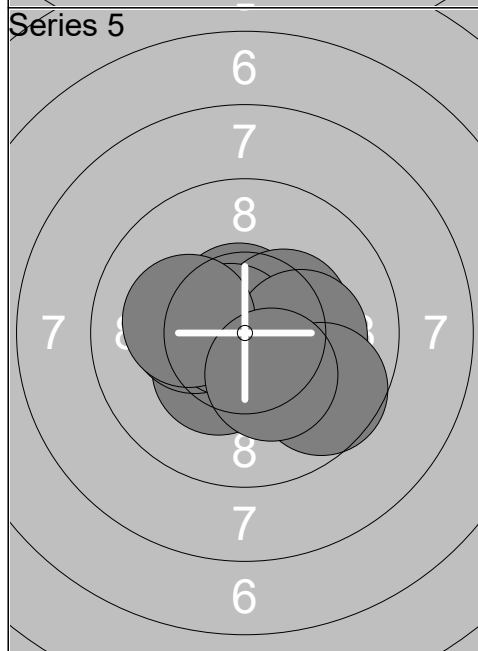
1:	10.3x	↘
2:	9.7	←
3:	10.3x	➔
4:	10.1	↓
5:	10.0	➔
6:	9.8	↗
7:	10.6x	➤
8:	9.9	➔
9:	10.8x	➤
10:	10.6x	↓
Series	102.1	
	204.5	



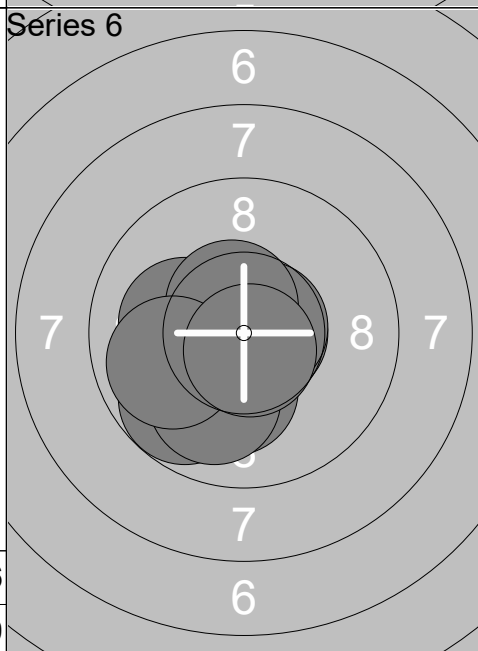
1:	10.2x	↗
2:	10.0	➤
3:	10.4x	↙
4:	10.2x	➔
5:	10.8x	↗
6:	9.2	➤
7:	10.1	↘
8:	10.0	↖
9:	10.1	➤
10:	10.6x	↘
Series	101.6	
	306.1	



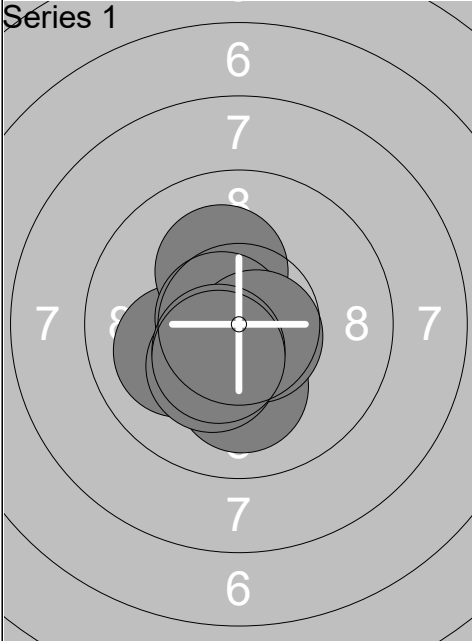
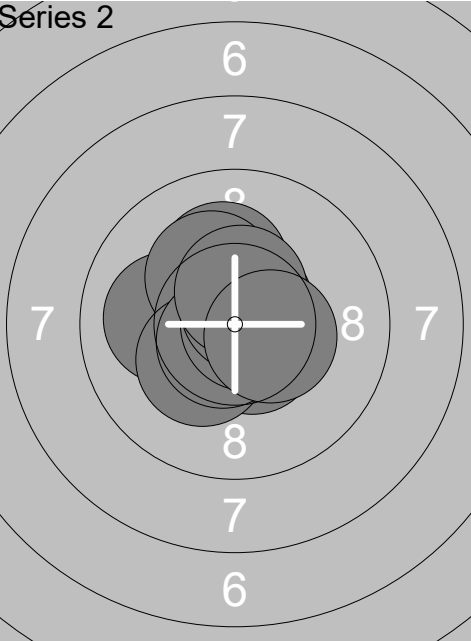
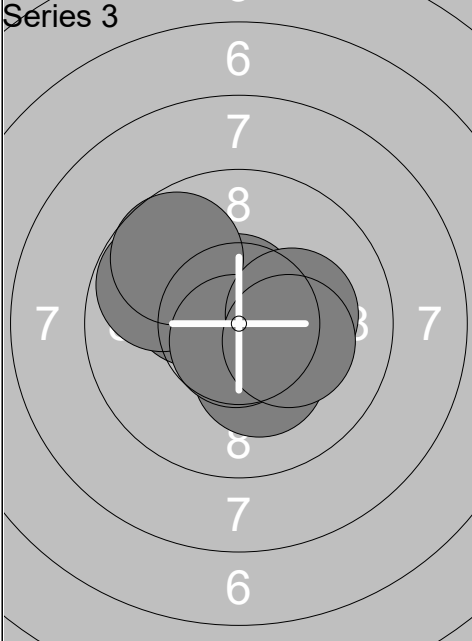
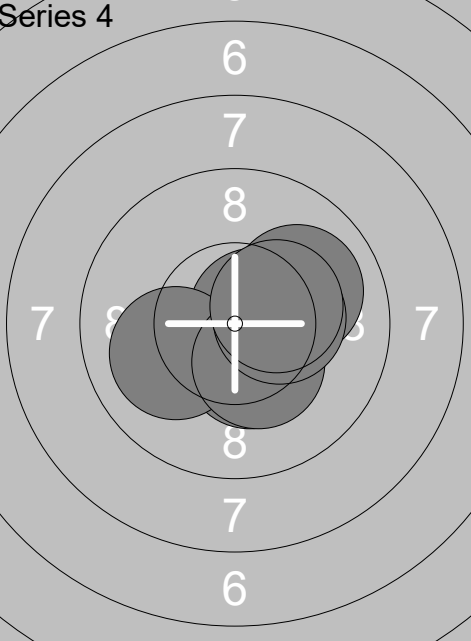
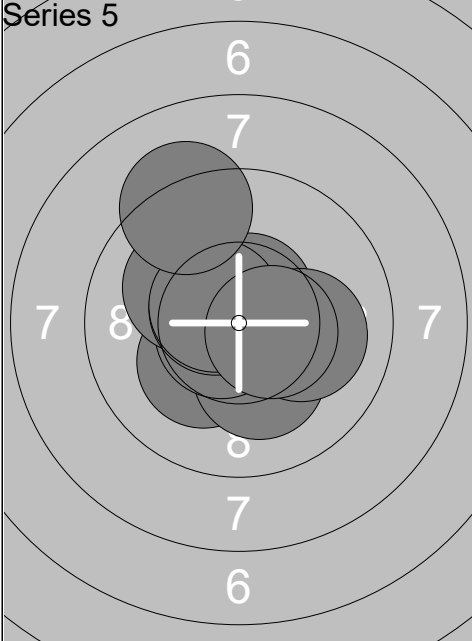
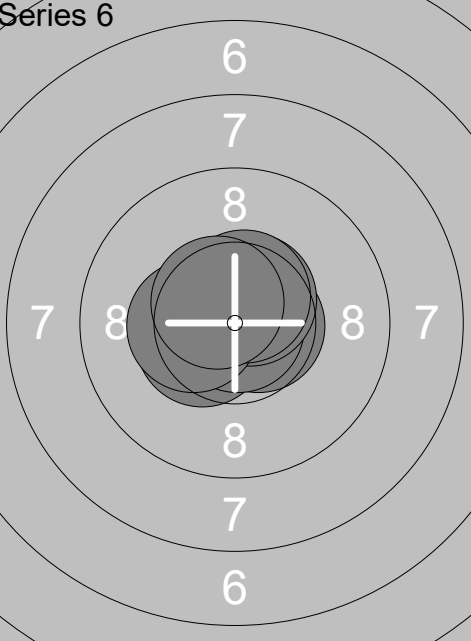
1:	9.5	➔
2:	9.9	➔
3:	10.0	←
4:	10.2x	↖
5:	10.3x	➔
6:	9.9	↘
7:	10.1	↘
8:	10.0	↙
9:	10.5x	↓
10:	9.8	↗
Series	100.2	
	406.3	

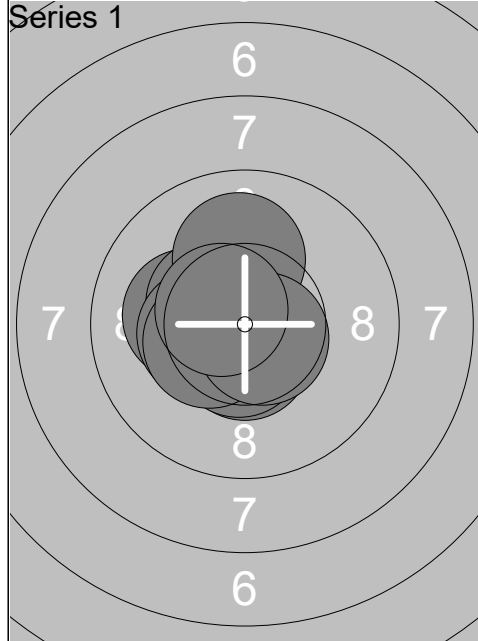


1:	10.6x	↗
2:	10.8x	➔
3:	10.4x	↘
4:	10.3x	↙
5:	10.4x	↗
6:	10.7x	↙
7:	10.2x	➔
8:	9.7	↘
9:	10.2x	↙
10:	10.3x	↘
Series	103.6	
	509.9	

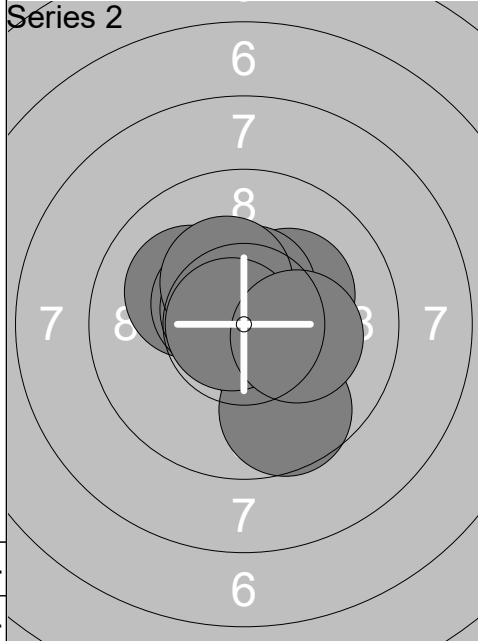


1:	10.6x	↖
2:	10.1	←
3:	10.7x	➔
4:	10.2x	↓
5:	10.7x	➔
6:	9.7	↘
7:	10.6x	↖
8:	10.0	↓
9:	9.9	↙
10:	10.7x	↓
Series	103.2	
	613.1	

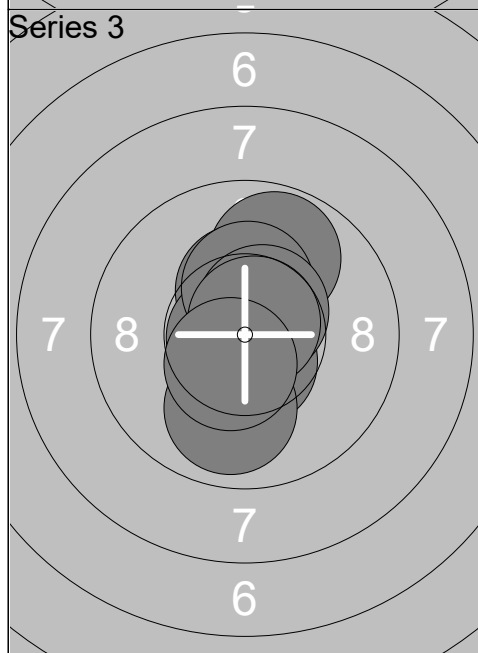
Relay	Lane	Moa Nilsson		
6	20	SWE	W	R
Qual Day 1		Denmark Open Air 2026		Denmark Open Air 2026
11.02.2026				
Series 1 	1: 10.1 ↙	Series 2 	1: 10.2x ↗	
	2: 10.5x ↓		2: 10.1 ←	
	3: 10.1 ↓		3: 10.5x ↘	
	4: 10.2x ↗		4: 10.2x ↖	
	5: 10.8x ↘		5: 10.3x ↘	
	6: 10.7x ↙		6: 10.7x ↘	
	7: 10.3x ↘		7: 10.8x →	
	8: 10.7x ↘		8: 10.6x ↗	
	9: 10.5x ↘		9: 10.5x ↗	
	10: 10.4x ↘		10: 10.4x →	
	Series 104.3		Series 104.3	
	104.3		208.6	
Series 3 	1: 10.3x ↙	Series 4 	1: 10.5x →	
	2: 9.8 ↙		2: 10.6x →	
	3: 10.4x →		3: 10.4x ↓	
	4: 10.7x ↗		4: 10.0 ↗	
	5: 10.6x ↗		5: 10.6x →	
	6: 9.7 ↖		6: 10.5x ↘	
	7: 10.2x ↓		7: 10.0 ←	
	8: 10.7x ↓		8: 10.4x ↓	
	9: 10.2x →		9: 10.3x →	
	10: 10.2x →		10: 10.3x →	
	Series 102.8		Series 103.6	
	311.4		415.0	
Series 5 	1: 10.2x ↘	Series 6 	1: 10.8x ↗	
	2: 10.2x ↓		2: 10.6x →	
	3: 10.7x ↙		3: 10.6x ←	
	4: 10.1 ↙		4: 10.8x ←	
	5: 10.6x ↗		5: 10.5x ↙	
	6: 10.6x ↙		6: 10.9x ↘	
	7: 10.1 →		7: 10.6x ↗	
	8: 10.6x ↙		8: 10.4x ←	
	9: 10.5x →		9: 10.6x ↗	
	10: 9.2 ↗		10: 10.6x ↖	
	Series 102.8		Series 106.4	
	517.8		624.2	



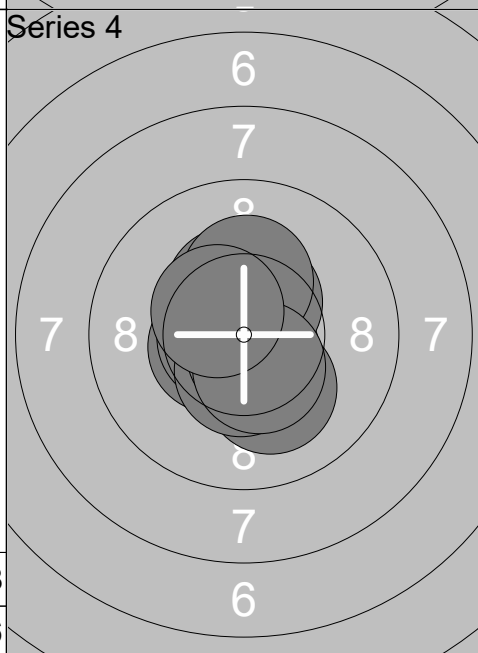
1:	10.2x	←
2:	10.6x	↖
3:	10.5x	↓
4:	10.4x	↖
5:	10.4x	←
6:	10.6x	↓
7:	10.4x	↖
8:	10.1	↑
9:	10.6x	↘
10:	10.6x	↖
Series	104.4	
	104.4	



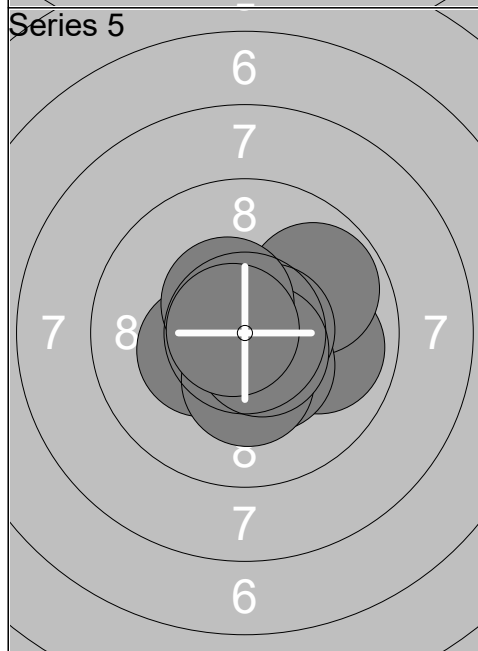
1:	10.1	↖
2:	10.2x	↗
3:	10.5x	↑
4:	10.5x	↖
5:	10.6x	↖
6:	10.4x	↑
7:	10.4x	↘
8:	9.7	↓
9:	10.8x	←
10:	10.2x	→
Series	103.4	
	207.8	



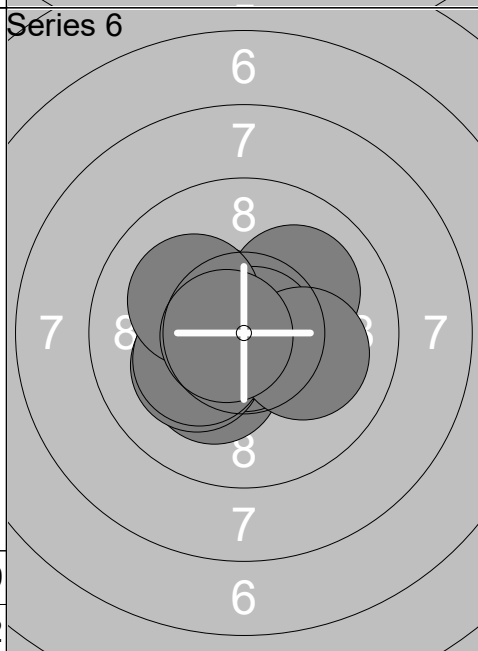
1:	10.3x	↑
2:	9.8	↑
3:	10.3x	↑
4:	10.8x	←
5:	10.6x	↓
6:	9.9	↓
7:	10.3x	↑
8:	10.6x	↗
9:	10.7x	↗
10:	10.5x	↘
Series	103.8	
	311.6	



1:	10.2x	↘
2:	10.5x	←
3:	10.7x	←
4:	10.5x	↓
5:	10.7x	↘
6:	10.4x	↑
7:	10.5x	↑
8:	10.2x	↑
9:	10.5x	↘
10:	10.5x	↖
Series	104.7	
	416.3	



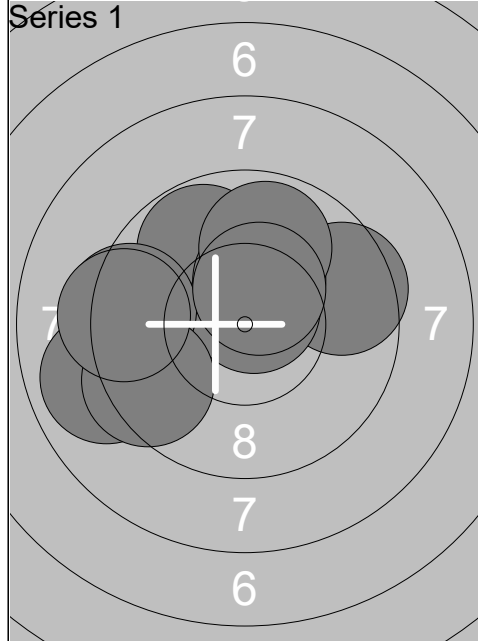
1:	9.9	→
2:	10.7x	↑
3:	10.3x	←
4:	9.8	↗
5:	10.4x	↘
6:	10.3x	↓
7:	10.6x	→
8:	10.6x	↘
9:	10.5x	↖
10:	10.8x	←
Series	103.9	
	520.2	



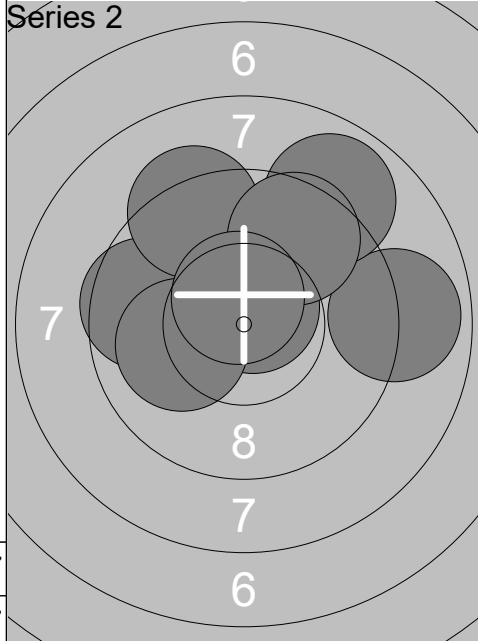
1:	10.2x	↘
2:	10.8x	↓
3:	10.5x	↖
4:	10.2x	←
5:	10.1	↗
6:	10.8x	→
7:	10.2x	←
8:	10.2x	↖
9:	10.1	→
10:	10.7x	←
Series	103.8	
	624.0	

Relay	Lane	Nina Kours		
6	22	GER	W	R
Qual Day 1		Denmark Open Air 2026		Denmark Open Air 2026
11.02.2026				
Series 1 	1: 10.6x ↓	Series 2 	1: 10.7x ↗	
	2: 10.4x ↗		2: 10.0 ←	
	3: 10.5x ←		3: 10.5x ↗	
	4: 10.7x ↓		4: 10.4x ↘	
	5: 10.4x ↗		5: 10.0 →	
	6: 10.2x ↗		6: 10.2x ↗	
	7: 9.6 →		7: 10.6x ⇒	
	8: 10.2x ↑		8: 9.9 ←	
	9: 10.6x ↙		9: 10.5x ↙	
	10: 10.4x ↘		10: 10.6x ←	
	Series 103.6	Series 103.4		
	103.6	207.0		
Series 3 	1: 10.1 ↑	Series 4 	1: 10.6x ↗	
	2: 10.7x ↘		2: 9.6 ↗	
	3: 10.1 ↘		3: 10.1 ↘	
	4: 10.3x ↘		4: 10.2x ↓	
	5: 9.8 ↗		5: 10.0 ↘	
	6: 10.8x ↑		6: 10.6x ↗	
	7: 10.9x ↑		7: 10.5x ↑	
	8: 10.6x ↑		8: 9.6 ↑	
	9: 10.6x ←		9: 10.3x ↗	
	10: 10.7x ←		10: 10.3x ←	
	Series 104.6	Series 101.8		
	311.6	413.4		
Series 5 	1: 10.1 ↑	Series 6 	1: 9.9 →	
	2: 10.6x ↘		2: 10.5x ↘	
	3: 10.7x ⇒		3: 10.2x ↗	
	4: 9.6 ↑		4: 10.2x ↗	
	5: 10.8x ↘		5: 10.6x ⇒	
	6: 10.9x ↘		6: 10.3x ↑	
	7: 10.2x ↗		7: 9.8 ↑	
	8: 9.8 ↗		8: 10.0 ↗	
	9: 10.6x ↓		9: 10.7x ⇒	
	10: 9.8 ↑		10: 9.2 ←	
	Series 103.1	Series 101.4		
	516.5	617.9		

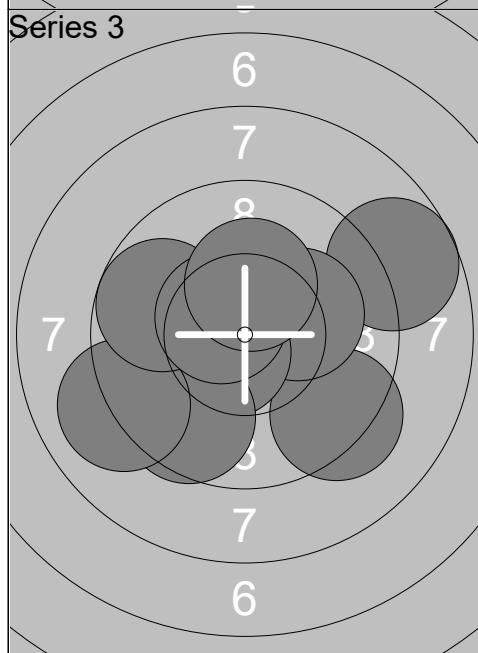
Relay	Lane	Nora Olsson		
6	23	SWE	W	R
Qual Day 1		Denmark Open Air 2026		Denmark Open Air 2026
11.02.2026				
Series 1 	1: 10.8x ↗	Series 2 	1: 10.5x ↑	
	2: 9.6 ↑		2: 10.2x →	
	3: 10.8x ↗		3: 10.7x ↑	
	4: 10.5x ↗		4: 10.5x ↗	
	5: 10.8x ←		5: 9.8 ↓	
	6: 10.4x →		6: 10.0 ↓	
	7: 10.1 →		7: 10.3x ↓	
	8: 10.7x ↑		8: 10.5x ↑	
	9: 10.1 ↑		9: 10.5x →	
	10: 10.6x ←		10: 10.6x ↗	
	Series 104.4		Series 103.6	
	104.4		208.0	
Series 3 	1: 10.0 ↗	Series 4 	1: 10.8x ←	
	2: 9.9 ↓		2: 10.5x ↑	
	3: 10.1 ↗		3: 10.8x ↗	
	4: 10.8x ↗		4: 10.3x ↑	
	5: 10.2x ↓		5: 10.1 ↑	
	6: 10.2x ↑		6: 10.7x ↘	
	7: 10.5x ↗		7: 10.8x ↘	
	8: 10.6x ↑		8: 10.4x →	
	9: 10.5x ↗		9: 10.3x →	
	10: 10.5x ↙		10: 10.4x ↓	
	Series 103.3		Series 105.1	
	311.3		416.4	
Series 5 	1: 10.7x ↗	Series 6 	1: 10.7x ↑	
	2: 10.4x ↙		2: 10.7x →	
	3: 10.4x ←		3: 10.0 →	
	4: 10.8x ←		4: 10.9x →	
	5: 10.4x ↓		5: 10.2x ↓	
	6: 10.2x ↓		6: 10.8x ↑	
	7: 10.2x ↗		7: 10.1 ↗	
	8: 10.0 ↙		8: 10.6x ↙	
	9: 10.0 ↑		9: 10.5x ↘	
	10: 10.1 →		10: 10.2x ↑	
	Series 103.2		Series 104.7	
	519.6		624.3	



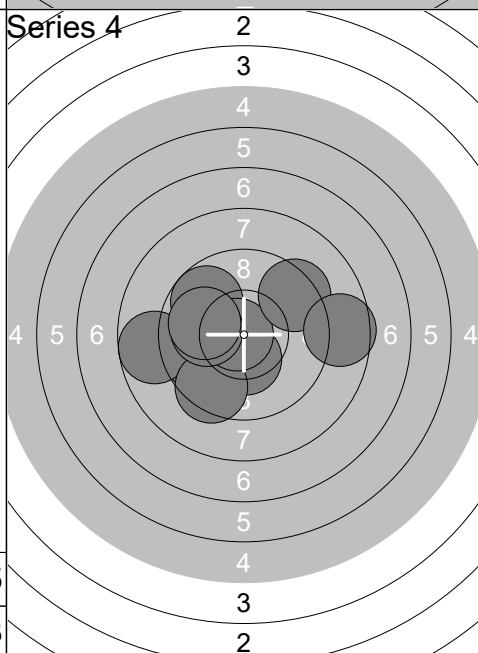
1: 9.8 ↗
2: 9.0 ↙
3: 9.5 →
4: 10.7x ↗
5: 9.4 ↙
6: 9.4 ↙
7: 10.3x ↗
8: 9.3 ↙
9: 9.9 ↗
10: 10.4x ↗
Series 97.7
97.7



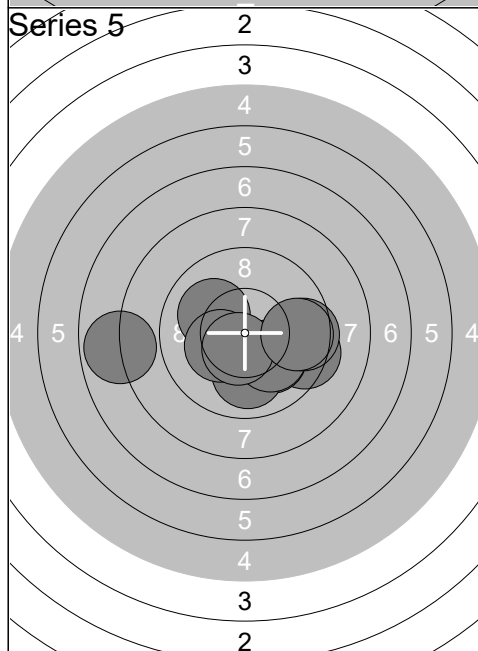
1: 8.9 →
2: 10.7x ↗
3: 10.0 ↗
4: 10.4x ↗
5: 9.6 ↙
6: 8.9 ↗
7: 9.3 ↗
8: 9.6 ↗
9: 10.1 ↙
10: 10.6x ↗
Series 98.1
195.8



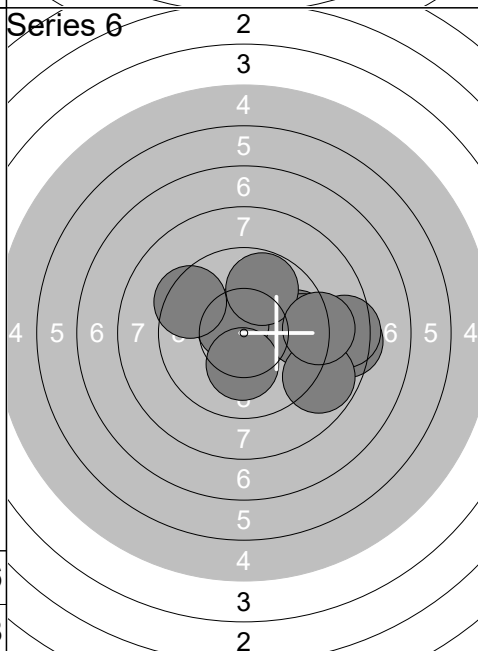
1: 9.3 ↘
2: 10.4x ↙
3: 8.7 →
4: 10.2x →
5: 10.6x ↙
6: 9.6 ↘
7: 9.0 ↙
8: 9.8 ↙
9: 10.6x ↘
10: 10.3x ↗
Series 98.5
294.3



1: 10.4x ↘
2: 9.8 ↙
3: 8.7 ↙
4: 9.7 ↘
5: 9.5 ↘
6: 10.8x ↙
7: 10.0 ↙
8: 10.0 ↙
9: 9.4 ↗
10: 8.6 →
Series 96.9
391.2

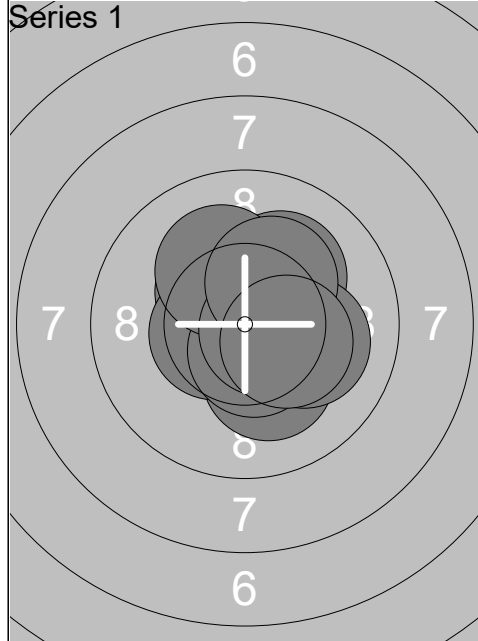


1: 9.4 →
2: 7.9 ↙
3: 10.1 ↙
4: 10.1 ↘
5: 10.0 ↘
6: 10.3x ↙
7: 10.1 ↘
8: 10.5x ↘
9: 9.5 →
10: 9.7 →
Series 97.6
488.8

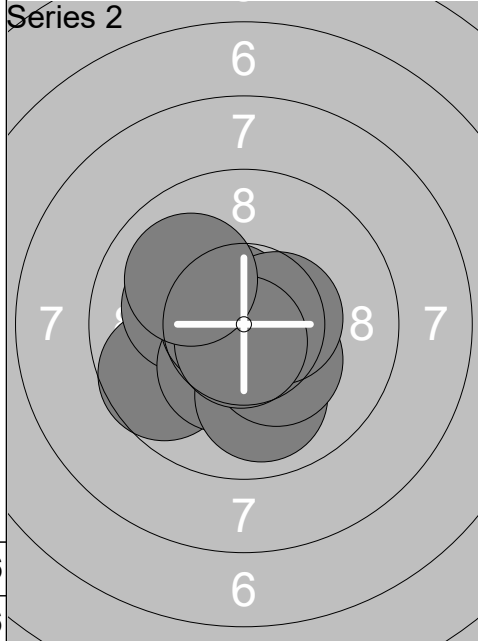


1: 8.4 →
2: 9.7 →
3: 8.5 →
4: 9.5 →
5: 10.6x ↘
6: 8.8 ↘
7: 9.8 ↗
8: 9.4 ↙
9: 9.1 →
10: 10.2x ↘
Series 94.0
582.8

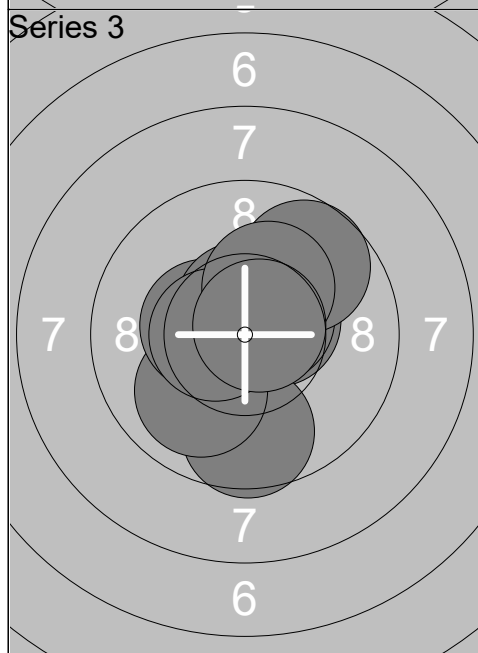
Relay	Lane	Rikke Mæng Ibsen		
6	25	DEN	W	R
11.02.2026	Denmark Open Air 2026	Denmark Open Air 2026		
Series 1 	1: 10.7x ↘	Series 2 	1: 10.4x ↙	
	2: 10.7x ↘		2: 10.8x →	
	3: 10.6x ↘		3: 9.9 ↑	
	4: 10.4x ←		4: 10.8x ↓	
	5: 10.2x ←		5: 10.4x ↓	
	6: 10.9x ↑		6: 10.2x ↖	
	7: 10.5x ↖		7: 10.5x ↓	
	8: 10.8x →		8: 10.5x ↑	
	9: 10.5x →		9: 10.3x ↖	
	10: 10.5x ←		10: 10.4x ↓	
	Series 105.8		Series 104.2	
	105.8		210.0	
Series 3 	1: 10.8x ←	Series 4 	1: 10.1 ↗	
	2: 10.4x ←		2: 10.5x ↓	
	3: 10.7x ↘		3: 10.3x ↗	
	4: 10.8x ↗		4: 10.6x ←	
	5: 10.8x ←		5: 10.6x ←	
	6: 10.4x ↘		6: 10.8x →	
	7: 10.7x ←		7: 10.3x ↗	
	8: 10.0 →		8: 10.6x ↓	
	9: 10.3x ↑		9: 10.4x ↓	
	10: 10.6x ↖		10: 10.3x ↗	
	Series 105.5		Series 104.5	
	315.5		420.0	
Series 5 	1: 10.3x ↗	Series 6 	1: 10.6x →	
	2: 10.3x →		2: 9.8 ↘	
	3: 10.6x ↗		3: 10.7x ←	
	4: 10.6x ←		4: 10.8x ↘	
	5: 10.8x ←		5: 10.6x ←	
	6: 10.7x ↘		6: 10.5x ←	
	7: 10.3x →		7: 10.7x ↘	
	8: 10.6x ↓		8: 10.3x →	
	9: 10.5x →		9: 10.5x ↓	
	10: 10.5x ↓		10: 10.5x ↖	
	Series 105.2		Series 105.0	
	525.2		630.2	



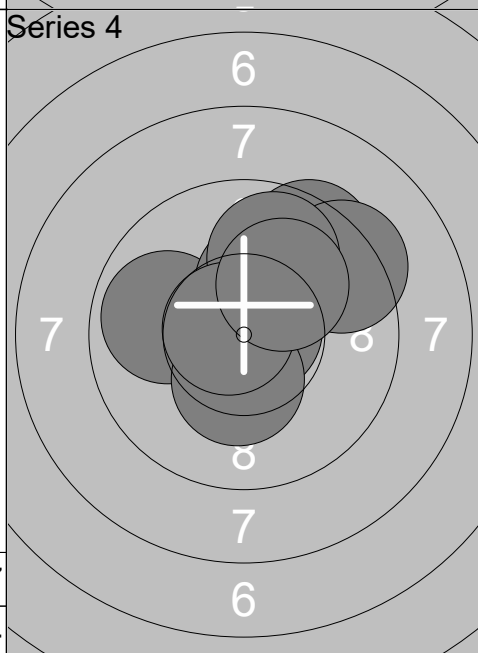
1:	10.4x ↗
2:	10.2x ↓
3:	10.2x ↗
4:	10.5x ←
5:	10.6x ↓
6:	10.1 →
7:	10.2x ↗
8:	10.7x →
9:	10.3x ↗
10:	10.4x →
Series	103.6
	103.6



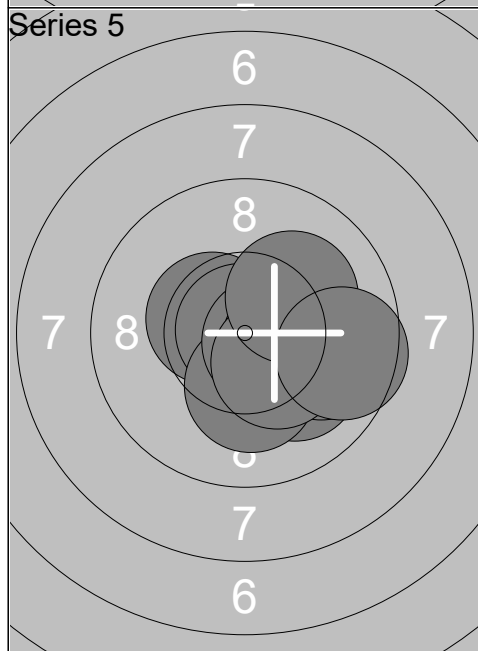
1:	9.7 ↙
2:	10.2x ←
3:	10.7x ↗
4:	10.3x ↓
5:	10.0 ↓
6:	10.7x ←
7:	10.3x ↓
8:	10.5x →
9:	10.7x ↓
10:	10.0 ↙
Series	103.1
	206.7



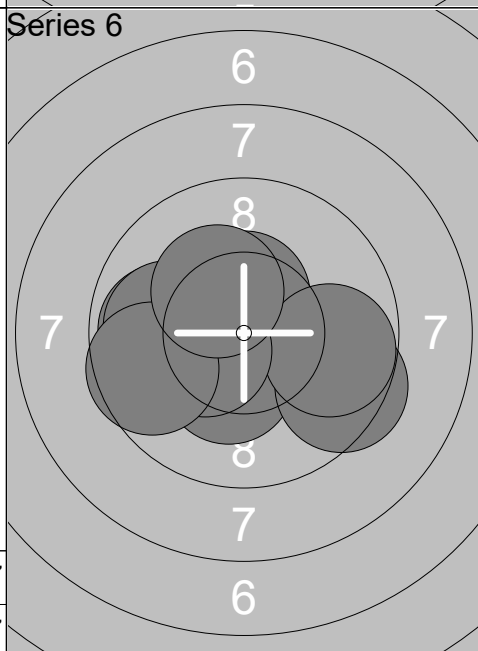
1:	10.5x ↗
2:	10.5x ↗
3:	9.7 ↗
4:	9.6 ↓
5:	10.0 ↓
6:	10.4x ←
7:	10.6x ↑
8:	10.5x ←
9:	10.2x ↗
10:	10.7x ↗
Series	102.7
	309.4



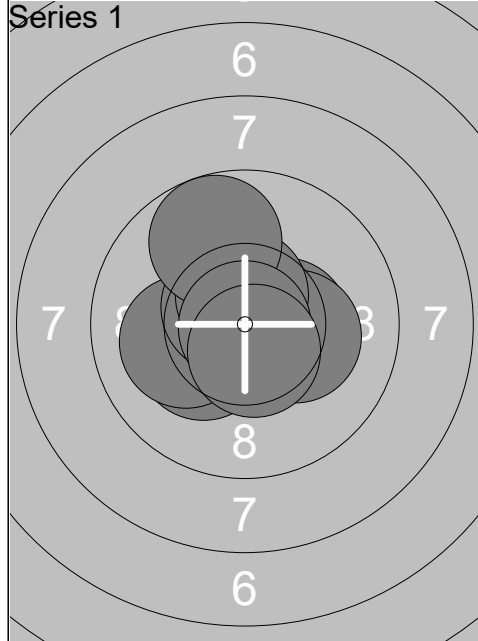
1:	9.5 ↗
2:	9.9 ←
3:	9.3 ↗
4:	10.9x ↓
5:	10.2x ↗
6:	9.8 ↗
7:	10.8x ↗
8:	10.4x ↓
9:	10.7x ←
10:	10.1 ↗
Series	101.6
	411.0



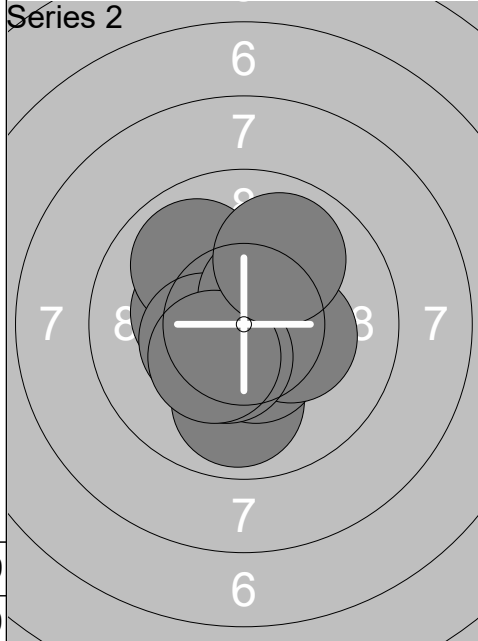
1:	10.1 ↓
2:	10.5x ←
3:	10.9x ↗
4:	10.2x ↓
5:	10.6x →
6:	9.9 →
7:	10.3x →
8:	10.4x ↓
9:	10.2x ↗
10:	9.6 →
Series	102.7
	513.7



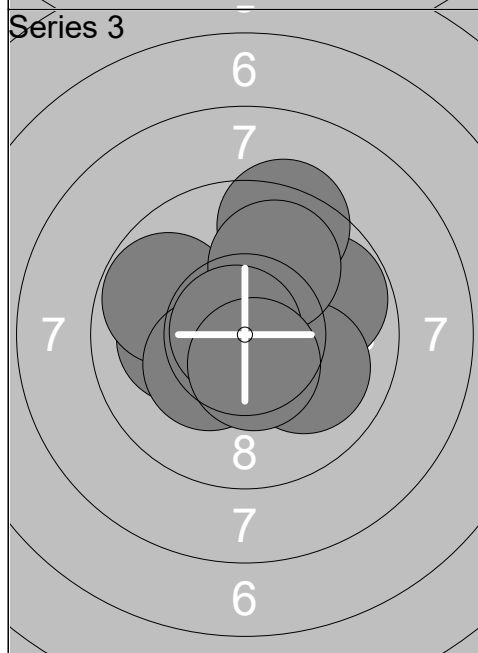
1:	10.5x ↑
2:	9.9 ←
3:	10.4x ←
4:	10.3x ↓
5:	9.9 ←
6:	9.5 ↓
7:	9.8 →
8:	10.4x ←
9:	9.6 ←
10:	10.3x ↗
Series	100.6
	614.3



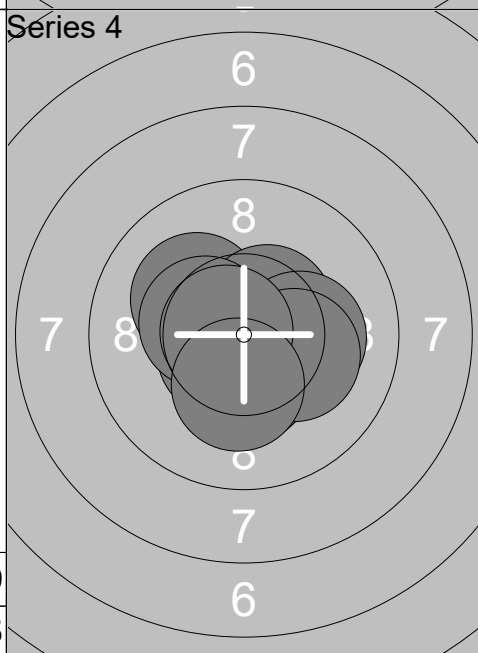
1:	10.4x ↙
2:	10.3x ↙
3:	10.4x →
4:	10.2x →
5:	10.1 ←
6:	10.6x ↖
7:	10.6x ↑
8:	9.8 ↑
9:	10.9x ↓
10:	10.6x ↓
Series	103.9
	103.9



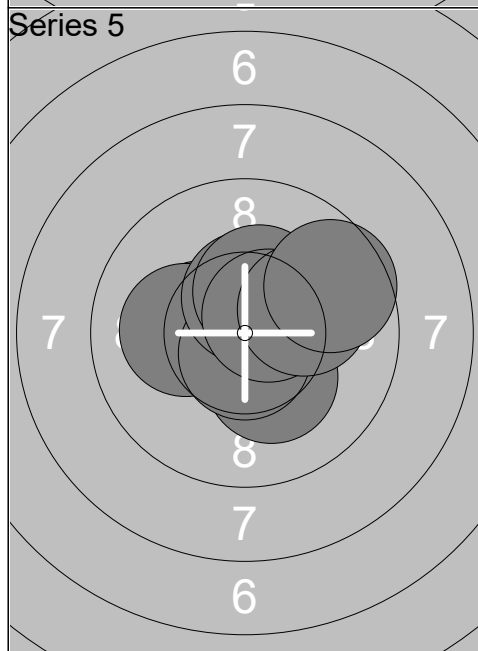
1:	10.3x ↙
2:	9.9 ↓
3:	9.9 ↖
4:	10.4x ↙
5:	10.5x ↗
6:	10.5x ↓
7:	10.3x →
8:	10.5x ↘
9:	10.4x ↙
10:	10.0 ↗
Series	102.7
	206.6



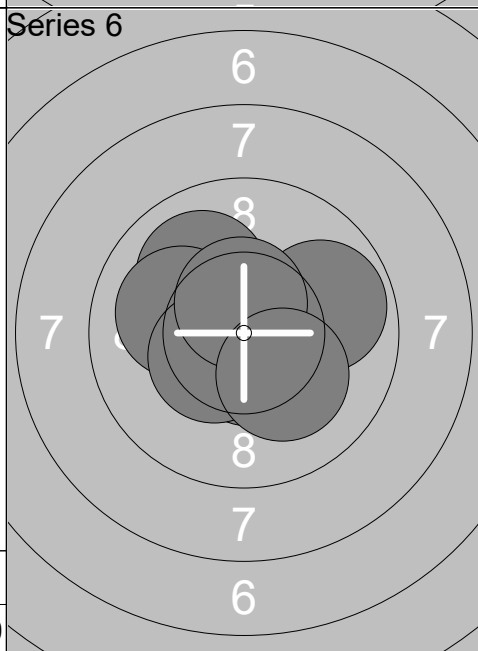
1:	10.3x →
2:	9.8 →
3:	9.4 ↑
4:	10.1 ←
5:	10.0 ↘
6:	9.8 ↖
7:	10.3x ↙
8:	9.9 ↗
9:	10.8x ↙
10:	10.5x ↓
Series	100.9
	307.5



1:	10.8x ↖
2:	10.2x ↖
3:	10.5x ↗
4:	10.4x ↓
5:	10.6x ↙
6:	10.2x →
7:	10.4x ↙
8:	10.2x →
9:	10.7x ↙
10:	10.3x ↓
Series	104.3
	411.8

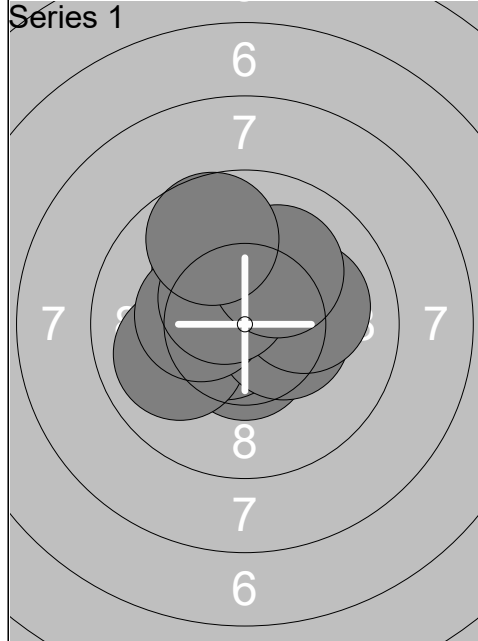


1:	10.4x ↙
2:	10.5x ↘
3:	10.1 ←
4:	10.2x ↓
5:	10.7x ↓
6:	10.5x ↑
7:	10.4x ↑
8:	10.6x ↗
9:	10.1 →
10:	9.6 →
Series	103.1
	514.9

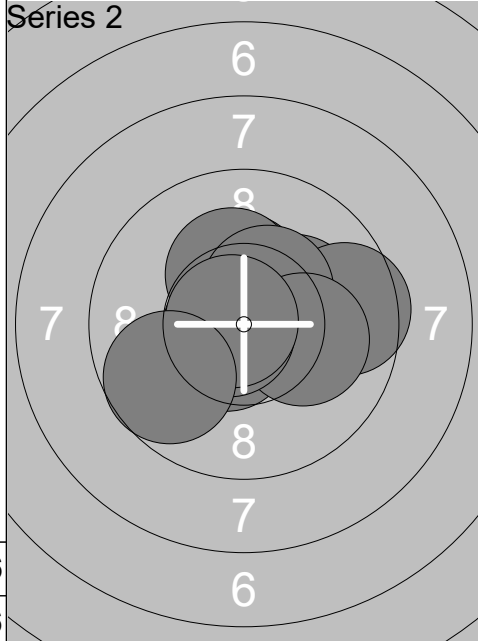


1:	10.2x ↙
2:	10.9x ↑
3:	10.6x ↓
4:	10.0 ↖
5:	10.6x ↓
6:	10.0 ←
7:	10.4x ↙
8:	9.8 →
9:	10.6x ↑
10:	10.2x ↘
Series	103.3
	618.2

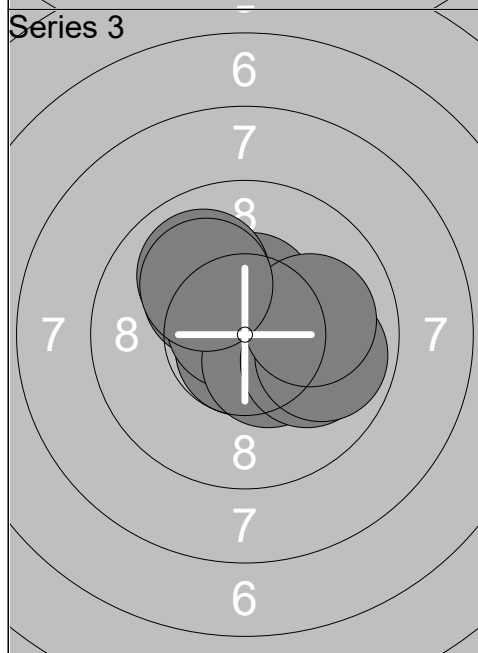
Relay	Lane	Sara Alexis		
6	28	DEN	W	R
Qual Day 1		Denmark Open Air 2026		Denmark Open Air 2026
11.02.2026				
Series 1 	1: 10.2x ↘	Series 2 	1: 10.0 →	
	2: 10.4x ↓		2: 10.0 ↙	
	3: 10.0 ←		3: 10.2x →	
	4: 10.1 ↗		4: 10.5x ↓	
	5: 10.5x ↖		5: 10.4x ↗	
	6: 10.4x ↗		6: 10.5x ↙	
	7: 10.6x ↖		7: 10.5x ↗	
	8: 10.4x ↖		8: 9.9 →	
	9: 10.3x ↖		9: 9.7 ↖	
	10: 10.5x ↙		10: 10.4x ↑	
	Series 103.4	Series 102.1		
	103.4	205.5		
Series 3 	1: 10.5x ↓	Series 4 	1: 10.6x ↓	
	2: 9.8 ↗		2: 10.1 →	
	3: 10.9x ↖		3: 10.6x ↑	
	4: 10.1 ←		4: 9.9 ↗	
	5: 10.8x ↗		5: 10.3x ↖	
	6: 10.0 ↗		6: 9.9 ↑	
	7: 10.5x ↓		7: 10.0 ↖	
	8: 10.5x →		8: 10.6x ↗	
	9: 9.9 ←		9: 10.8x ↓	
	10: 10.5x ↖		10: 10.1 ↖	
	Series 103.5	Series 102.9		
	309.0	411.9		
Series 5 	1: 10.5x ↖	Series 6 	1: 10.6x ↗	
	2: 10.1 ↓		2: 10.4x ↖	
	3: 10.6x ↖		3: 10.5x ↖	
	4: 10.5x ↖		4: 10.8x ↑	
	5: 10.8x ↖		5: 10.4x →	
	6: 10.6x →		6: 10.8x ↙	
	7: 10.7x ↗		7: 10.7x ↓	
	8: 10.3x ↑		8: 9.8 →	
	9: 10.0 ↖		9: 9.8 ↗	
	10: 10.4x ↓		10: 10.6x ↓	
	Series 104.5	Series 104.4		
	516.4	620.8		



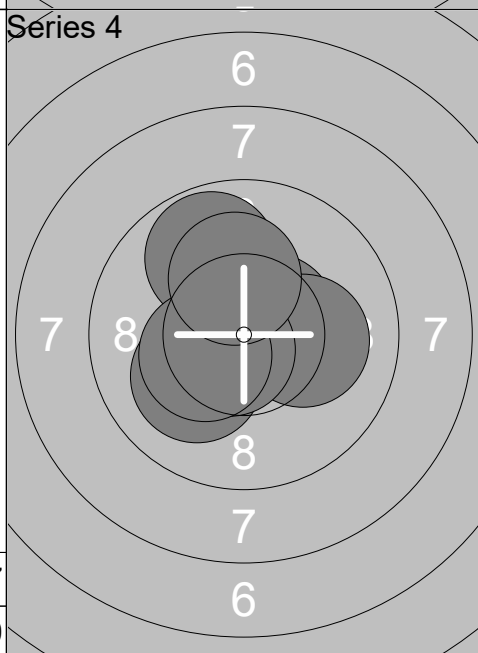
1:	10.5x ↓
2:	10.7x ←
3:	10.0 ←
4:	10.4x →
5:	10.2x ↗
6:	10.4x ←
7:	10.1 →
8:	10.5x ↗
9:	10.1 ↗
10:	9.7 ↑
Series	102.6
	102.6



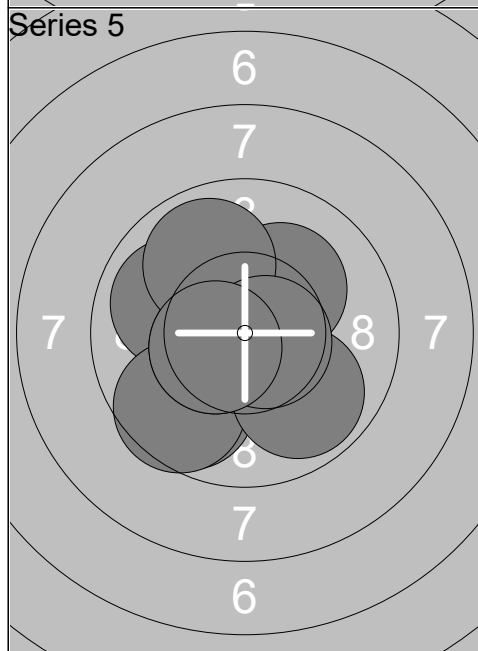
1:	10.2x →
2:	9.6 →
3:	10.6x ↙
4:	10.3x ↑
5:	10.3x ↑
6:	10.4x ↗
7:	10.1 →
8:	10.7x ←
9:	10.8x ←
10:	9.7 ↙
Series	102.7
	205.3



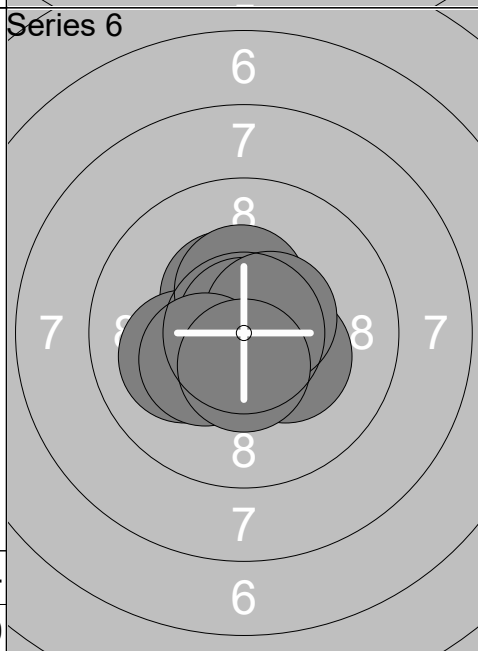
1:	10.7x ↓
2:	10.2x ↗
3:	10.5x ↑
4:	10.7x ↗
5:	10.5x ↘
6:	10.0 →
7:	10.0 ↗
8:	9.9 →
9:	10.1 →
10:	10.1 ↗
Series	102.7
	308.0



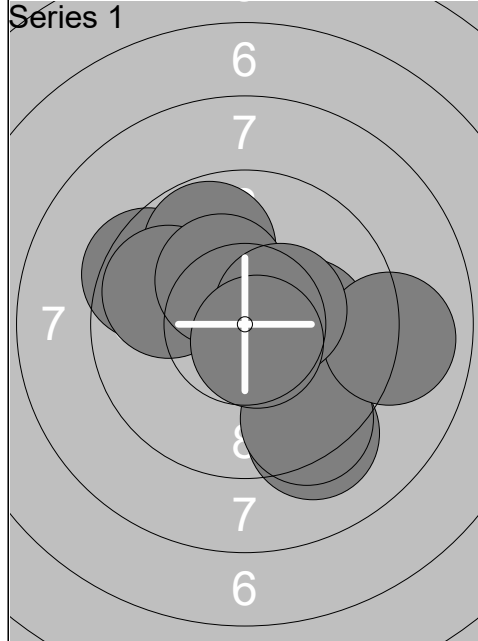
1:	10.5x ↗
2:	10.5x ↙
3:	9.8 ↑
4:	10.1 ↙
5:	10.5x ↑
6:	10.7x ↑
7:	10.2x →
8:	10.7x ↙
9:	10.4x ←
10:	10.2x ↑
Series	103.6
	411.6



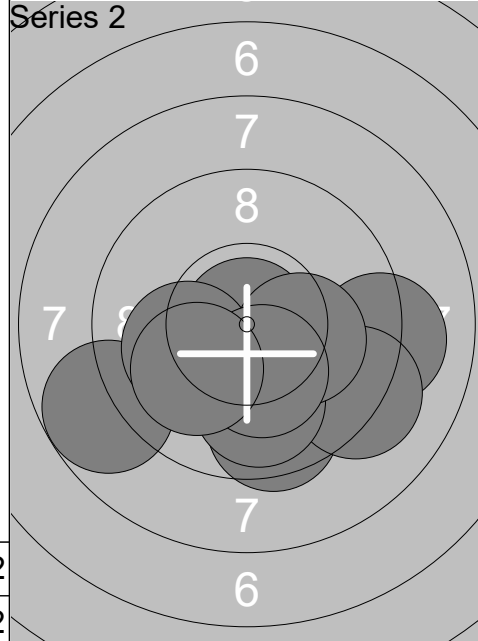
1:	9.7 ↙
2:	10.4x ↑
3:	10.0 ←
4:	10.2x ↗
5:	9.6 ↙
6:	10.5x ↙
7:	9.9 ↘
8:	9.9 ↗
9:	10.7x →
10:	10.5x ←
Series	101.4
	513.0



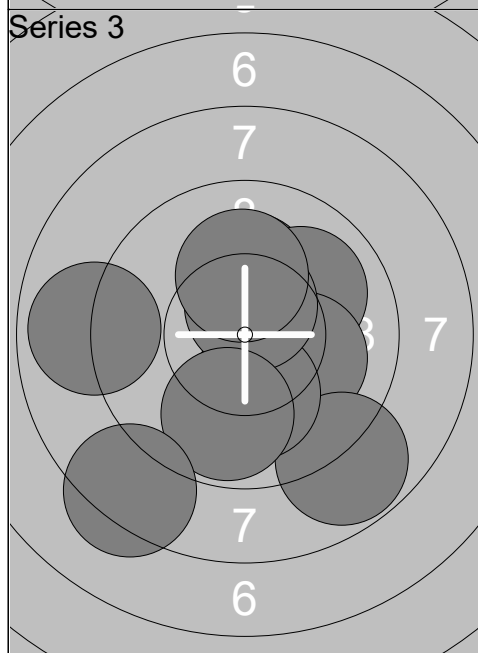
1:	10.7x ←
2:	10.5x ↗
3:	10.3x →
4:	10.4x ↗
5:	10.1 ←
6:	10.4x ↑
7:	10.8x ↑
8:	10.5x ↗
9:	10.3x ↙
10:	10.5x ↓
Series	104.5
	617.5



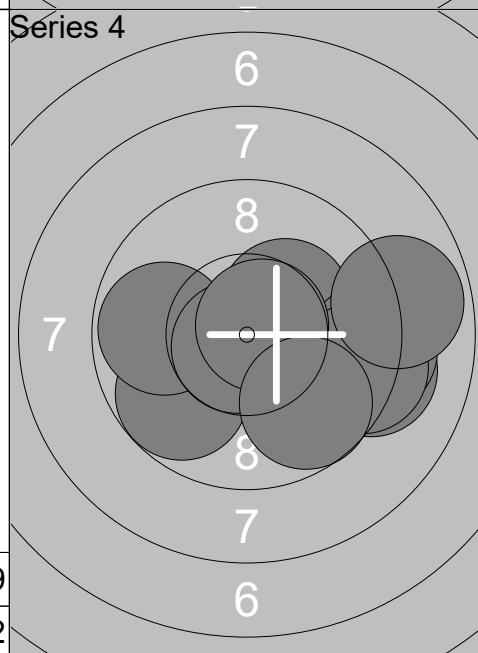
1:	9.5	↖
2:	9.8	↗
3:	9.8	↖
4:	10.1	→
5:	9.2	↘
6:	9.4	↘
7:	9.0	→
8:	10.3x	↗
9:	10.4x	→
10:	10.7x	↘
Series	98.2	
	98.2	



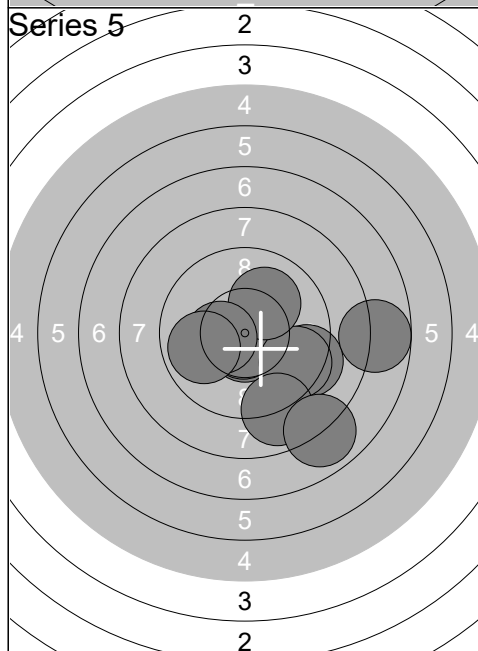
1:	9.1	→
2:	9.5	↘
3:	9.2	↘
4:	10.9x	
5:	8.8	↖
6:	10.1	↖
7:	9.9	↘
8:	10.2x	→
9:	10.3x	↘
10:	10.1	↖
Series	98.1	
	196.3	



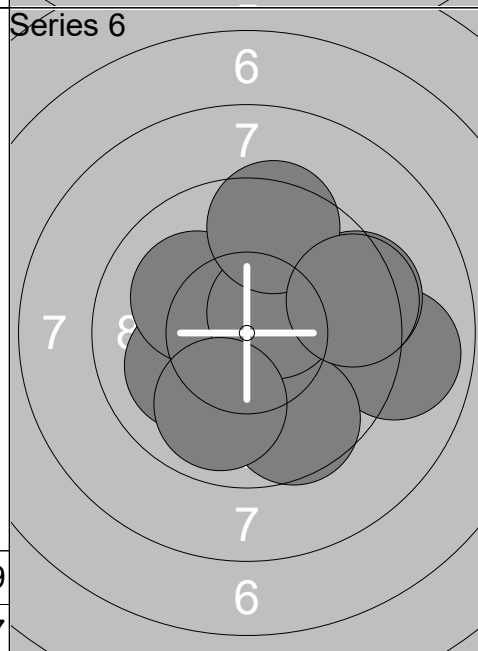
1:	10.2x	↑
2:	10.0	↗
3:	10.1	→
4:	8.9	↖
5:	8.8	↘
6:	10.1	↘
7:	10.5x	↑
8:	9.9	↘
9:	10.1	↑
10:	8.3	↘
Series	96.9	
	293.2	



1:	9.8	↖
2:	9.8	↖
3:	9.2	→
4:	10.3x	↗
5:	9.3	→
6:	9.3	→
7:	10.7x	↘
8:	10.7x	↗
9:	8.8	→
10:	9.7	↘
Series	97.6	
	390.8	



1:	9.3	→
2:	10.6x	↘
3:	10.7x	↘
4:	9.5	↘
5:	8.9	↘
6:	7.7	→
7:	10.1	↗
8:	10.3x	↖
9:	7.9	↘
10:	9.9	↖
Series	94.9	
	485.7	

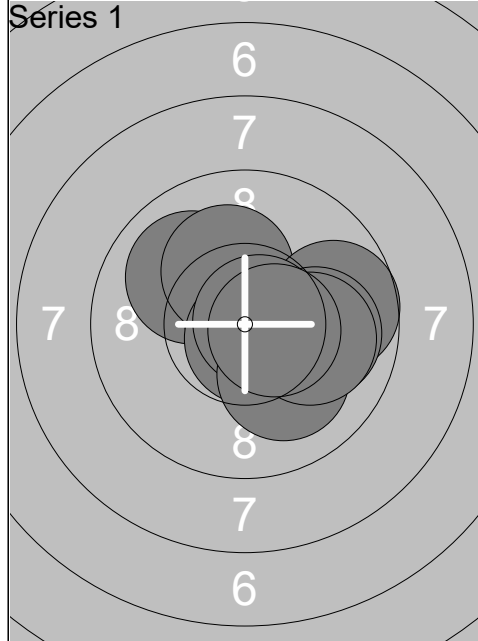


1:	10.3x	↖
2:	8.9	→
3:	10.1	↖
4:	9.6	↘
5:	10.1	↖
6:	10.5x	↗
7:	9.4	→
8:	9.5	↑
9:	9.9	↘
10:	9.5	→
Series	97.8	
	583.5	

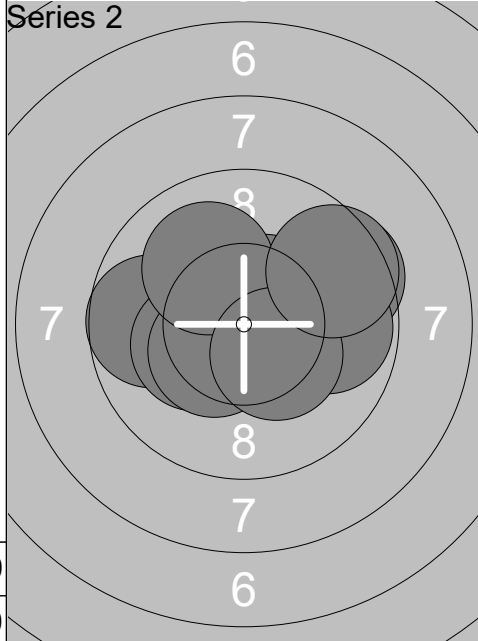
Relay 6	Lane 31	Tabea Marquardt		
-------------------	-------------------	------------------------	--	--

Qual Day 1	GER	W	R
------------	-----	---	---

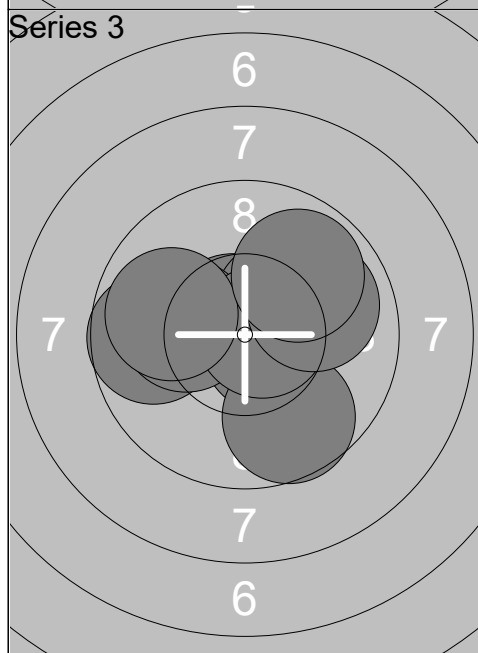
11.02.2026	Denmark Open Air 2026	Denmark Open Air 2026
------------	-----------------------	-----------------------



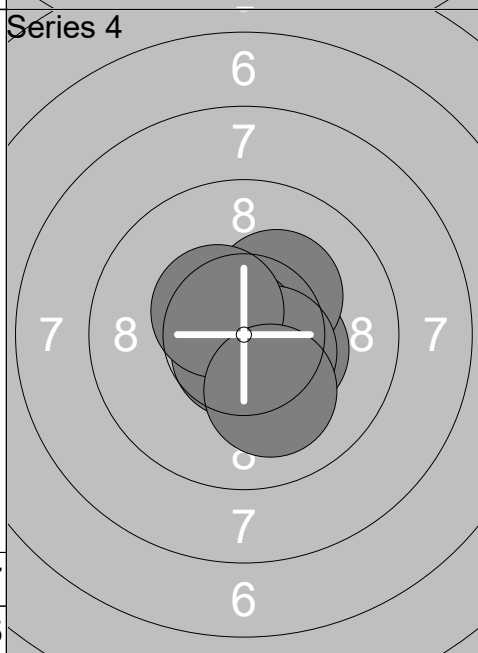
1:	10.0 ↖
2:	10.8x ↗
3:	10.2x ↗
4:	9.7 →
5:	10.0 →
6:	10.7x ↓
7:	10.8x →
8:	10.1 ↓
9:	10.1 →
10:	10.5x →
Series	102.9
	102.9



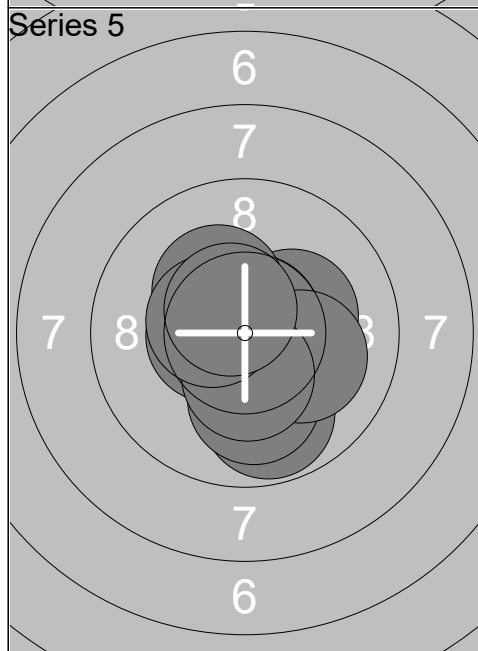
1:	9.7 ←
2:	10.7x →
3:	9.5 ↗
4:	10.3x ←
5:	10.5x ↗
6:	10.4x ↙
7:	10.0 ↖
8:	9.8 →
9:	10.4x ↘
10:	9.6 ↗
Series	100.9
	203.8



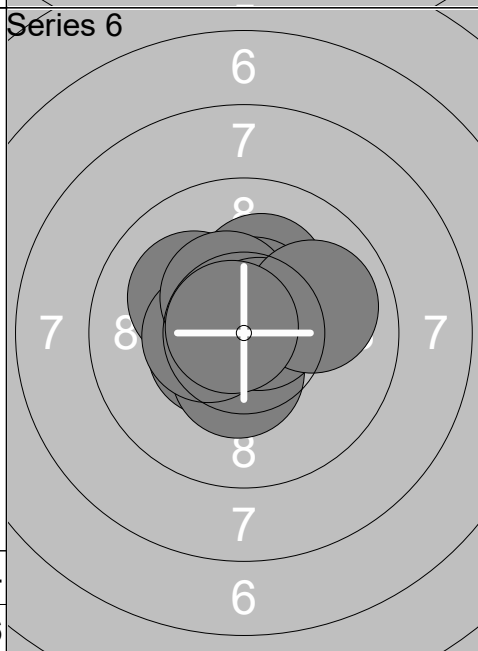
1:	10.7x ↖
2:	10.6x →
3:	10.3x ↗
4:	9.7 ↓
5:	9.7 ←
6:	10.2x ←
7:	10.7x →
8:	10.0 →
9:	9.9 ←
10:	9.9 ↗
Series	101.7
	305.5



1:	10.6x ↗
2:	10.9x ↓
3:	10.8x ↖
4:	10.4x →
5:	10.3x ↗
6:	10.9x ←
7:	10.7x ↓
8:	10.5x ↘
9:	10.5x ↖
10:	10.1 ↓
Series	105.7
	411.2

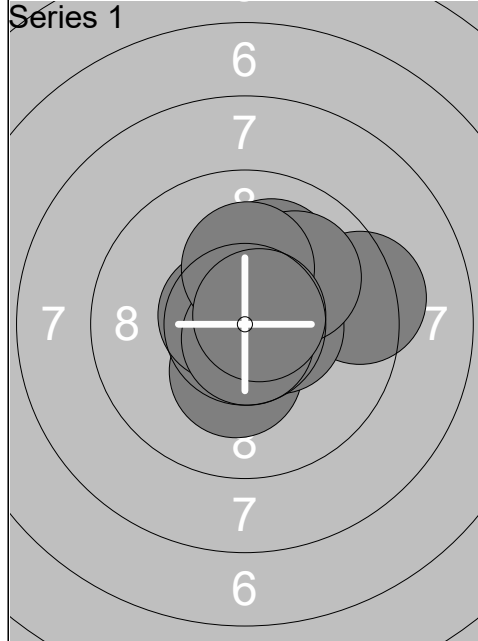


1:	10.3x →
2:	10.8x ↗
3:	9.8 ↓
4:	10.3x ↗
5:	10.5x ←
6:	10.1 ↓
7:	10.1 →
8:	10.4x ↓
9:	10.5x ←
10:	10.6x ↖
Series	103.4
	514.6

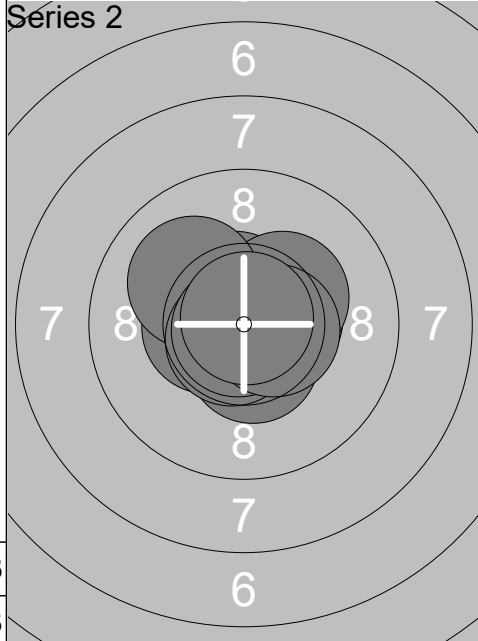


1:	10.5x ↙
2:	10.2x ↗
3:	10.4x ↓
4:	10.6x ↗
5:	10.1 ↖
6:	10.5x ←
7:	10.4x ↖
8:	10.7x ↗
9:	10.0 →
10:	10.8x ←
Series	104.2
	618.8

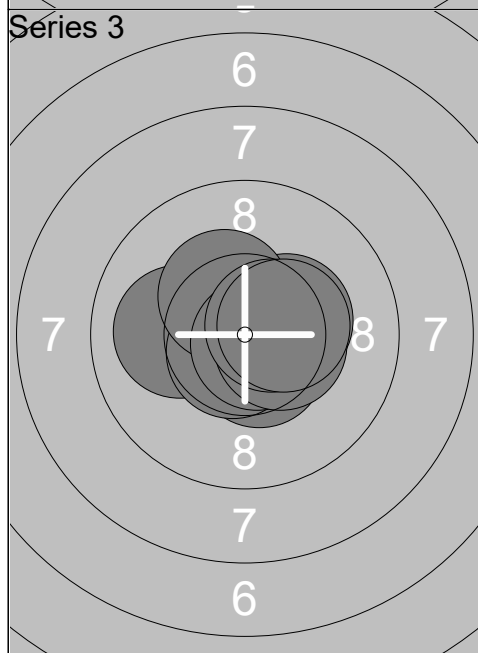
Relay	Lane	Tamara Lous		
6	32	NED	W	R
Qual Day 1		Denmark Open Air 2026		Denmark Open Air 2026
11.02.2026				
Series 1 	1: 10.2x ↓	Series 2 	1: 10.5x ←	
	2: 9.9 ↘		2: 10.0 ←	
	3: 9.4 ←		3: 10.1 ↗	
	4: 9.8 ↑		4: 10.5x ↙	
	5: 9.9 ↙		5: 9.8 ↗	
	6: 10.1 ↑		6: 10.4x ↖	
	7: 10.3x →		7: 10.3x ↓	
	8: 9.6 ↗		8: 10.4x ↑	
	9: 10.3x ↖		9: 10.7x ↑	
	10: 9.8 ↙		10: 9.5 ↑	
	Series 99.3		Series 102.2	
	99.3		201.5	
Series 3 	1: 10.3x ↗	Series 4 	1: 9.8 ↑	
	2: 10.1 →		2: 10.3x ←	
	3: 10.8x ↙		3: 10.0 ↑	
	4: 9.8 ↑		4: 10.4x ↙	
	5: 10.8x ↗		5: 9.7 ↑	
	6: 10.0 ↑		6: 9.1 ↖	
	7: 10.5x ↑		7: 10.1 ↖	
	8: 9.8 ↑		8: 8.9 ↗	
	9: 10.6x ↖		9: 10.0 ↗	
	10: 10.5x ↗		10: 10.4x →	
	Series 103.2		Series 98.7	
	304.7		403.4	
Series 5 	1: 9.7 ↓	Series 6 	1: 10.1 ↗	
	2: 9.1 ↗		2: 10.0 ↗	
	3: 10.5x ↘		3: 10.6x ↘	
	4: 9.4 ↗		4: 10.6x ↘	
	5: 10.5x ↑		5: 10.4x ↑	
	6: 9.8 ↑		6: 10.3x ←	
	7: 10.2x ↑		7: 10.6x ↓	
	8: 10.4x →		8: 10.4x ↘	
	9: 9.6 ↗		9: 10.5x ↘	
	10: 10.0 ↖		10: 10.2x ↘	
	Series 99.2		Series 103.7	
	502.6		606.3	



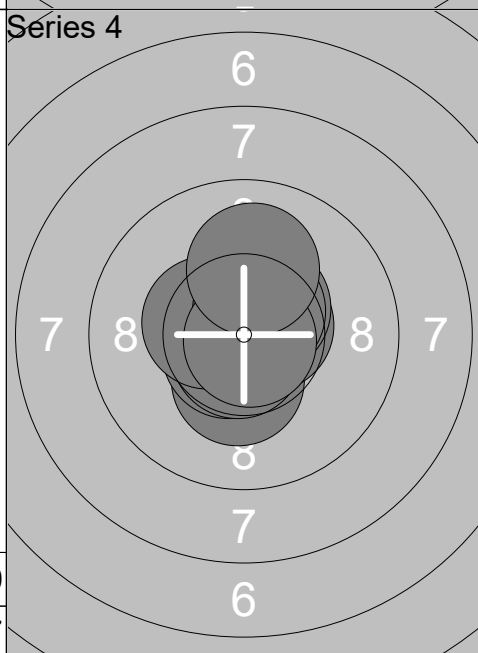
1:	10.8x ↘
2:	9.4 →
3:	10.3x ↓
4:	10.1 ↗
5:	10.5x →
6:	10.0 ↗
7:	10.6x ↙
8:	10.7x ↓
9:	10.2x ↗
10:	10.7x ↗
Series	103.3
	103.3



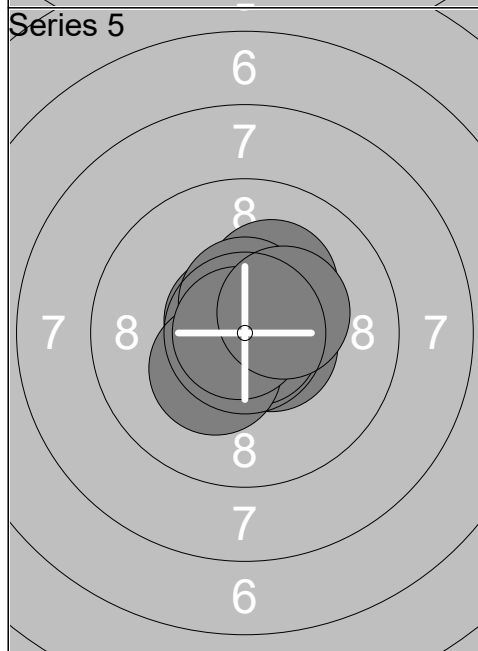
1:	10.5x →
2:	10.5x ←
3:	10.6x ↗
4:	10.5x ↓
5:	10.3x ↗
6:	10.1 ↖
7:	10.7x ↘
8:	10.8x ↘
9:	10.5x →
10:	10.9x ↗
Series	105.4
	208.7



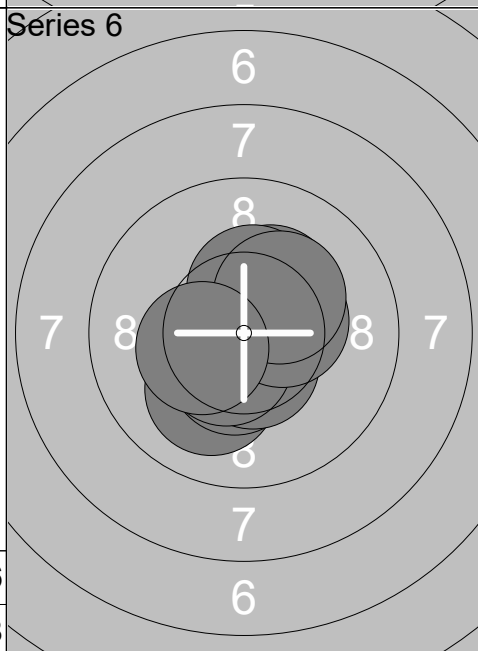
1:	10.4x →
2:	10.5x ↓
3:	10.1 ←
4:	10.7x ↘
5:	10.6x →
6:	10.4x ↗
7:	10.8x ↘
8:	10.5x →
9:	10.6x →
10:	10.4x →
Series	105.0
	313.7



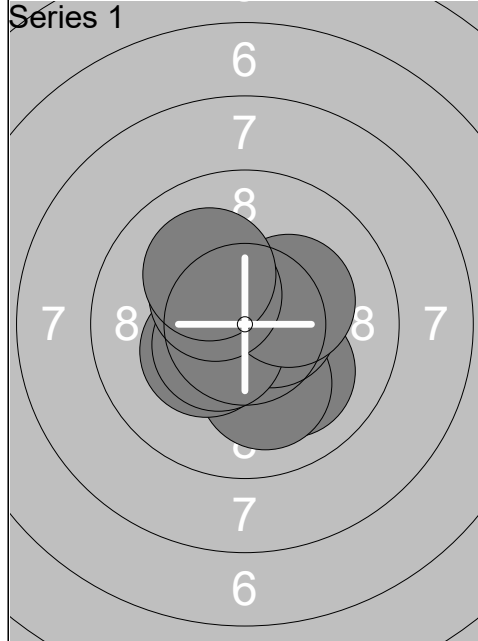
1:	10.3x ↓
2:	10.6x ↘
3:	10.9x ↙
4:	10.7x ↓
5:	10.6x →
6:	10.4x ↙
7:	10.5x ↗
8:	10.6x ↗
9:	10.8x ↘
10:	10.1 ↗
Series	105.5
	419.2



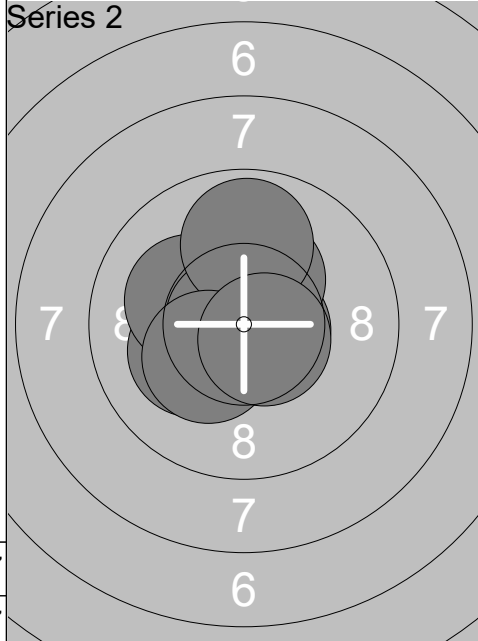
1:	10.6x ↗
2:	10.7x ↖
3:	10.2x ↗
4:	10.6x →
5:	10.6x ↘
6:	10.8x ↘
7:	10.3x ↘
8:	10.6x ↗
9:	10.9x ←
10:	10.3x ↗
Series	105.6
	524.8



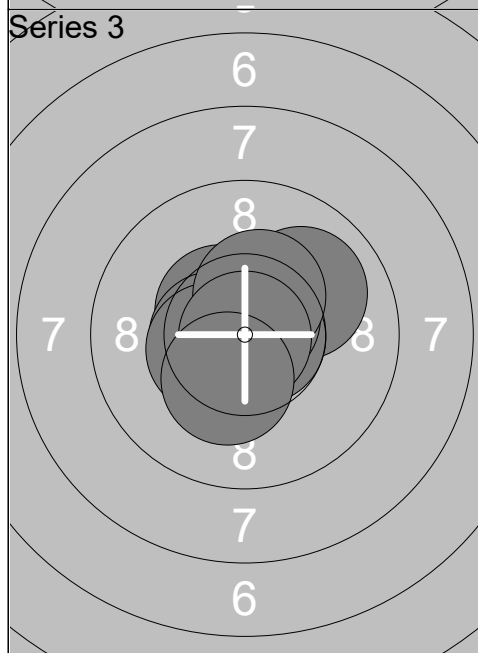
1:	10.1 ↘
2:	10.4x ↓
3:	10.6x ↘
4:	10.5x ↓
5:	10.3x ↗
6:	10.4x ↗
7:	10.5x ↘
8:	10.4x →
9:	10.3x ↗
10:	10.4x ←
Series	103.9
	628.7



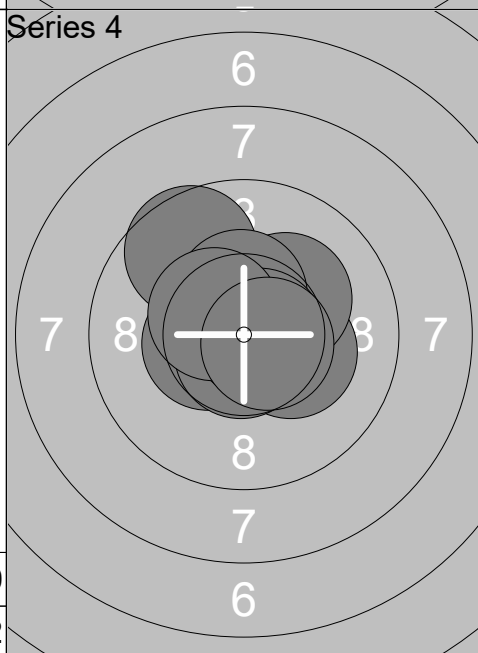
1:	10.7x	↙
2:	10.6x	↘
3:	10.1	↘
4:	10.1	↓
5:	10.3x	↙
6:	10.6x	→
7:	10.5x	↙
8:	10.3x	→
9:	10.4x	↖
10:	10.1	↖
Series	103.7	
	103.7	



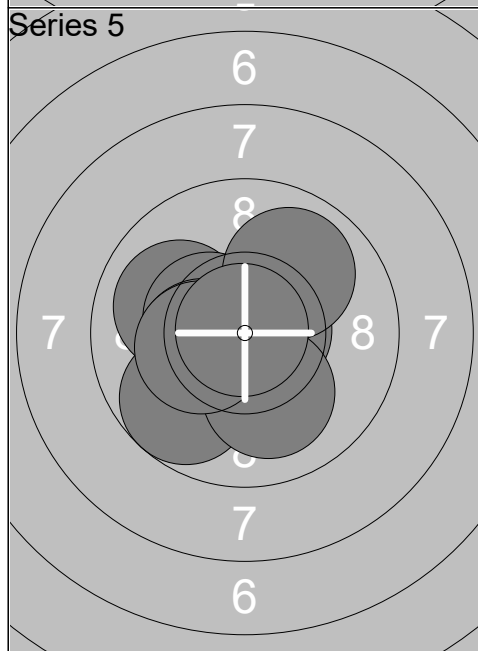
1:	10.8x	↘
2:	10.2x	↙
3:	10.7x	→
4:	10.2x	↙
5:	10.3x	↑
6:	10.7x	↓
7:	10.8x	↙
8:	9.9	↑
9:	10.3x	↙
10:	10.6x	↘
Series	104.5	
	208.2	



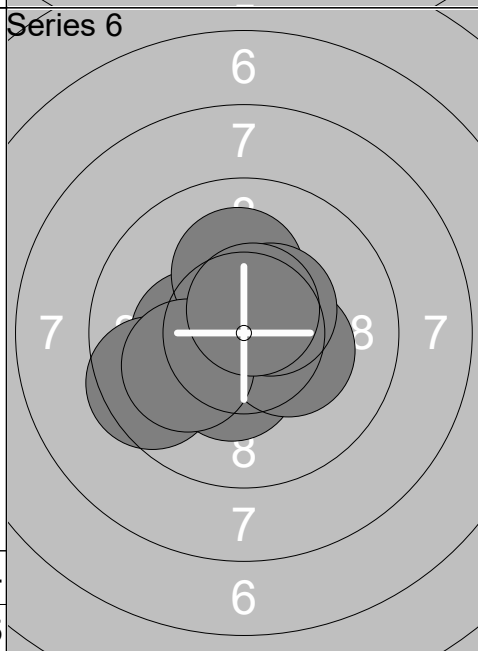
1:	10.5x	↙
2:	10.0	↗
3:	10.5x	↖
4:	10.8x	→
5:	10.7x	↗
6:	10.5x	↙
7:	10.4x	↙
8:	10.4x	↗
9:	10.9x	↓
10:	10.3x	↓
Series	105.0	
	313.2	



1:	10.5x	↗
2:	9.6	↖
3:	10.2x	→
4:	10.4x	↙
5:	10.2x	↗
6:	10.4x	↑
7:	10.7x	↓
8:	10.8x	→
9:	10.5x	↖
10:	10.6x	→
Series	103.9	
	417.1	



1:	10.8x	↓
2:	9.8	↓
3:	10.0	↙
4:	10.4x	↙
5:	10.7x	→
6:	10.4x	↙
7:	10.0	↗
8:	10.1	↓
9:	10.3x	↙
10:	10.9x	↖
Series	103.4	
	520.5	



1:	10.6x	↗
2:	10.3x	↙
3:	10.8x	↘
4:	10.4x	↓
5:	10.2x	↑
6:	10.3x	→
7:	10.5x	↗
8:	9.5	↙
9:	10.1	↙
10:	10.6x	↗
Series	103.3	
	623.8	

Relay	Lane	Viivi Kemppe		
6	35	FIN	W	R
Qual Day 1		Denmark Open Air 2026		Denmark Open Air 2026
11.02.2026				
Series 1 	1: 10.4x ↑	Series 2 	1: 10.6x ↘	
	2: 9.9 ↙		2: 10.7x ↖	
	3: 10.6x ←		3: 10.7x ↗	
	4: 10.2x ↖		4: 10.2x ←	
	5: 10.1 ↙		5: 10.3x ↗	
	6: 10.5x ↗		6: 10.8x ↘	
	7: 9.9 ↙		7: 10.3x ←	
	8: 9.8 ↙		8: 10.2x ↗	
	9: 10.3x ↘		9: 10.6x ←	
	10: 10.5x ↖		10: 10.5x ↑	
	Series 102.2		Series 104.9	
	102.2		207.1	
Series 3 	1: 10.0 ↗	Series 4 	1: 10.8x ←	
	2: 10.7x ↘		2: 10.5x ↖	
	3: 10.9x →		3: 10.5x ←	
	4: 10.3x ←		4: 10.2x ↓	
	5: 10.5x ↑		5: 10.8x ↘	
	6: 10.1 →		6: 10.6x ↓	
	7: 10.6x ↗		7: 10.2x ←	
	8: 10.1 ↗		8: 10.8x →	
	9: 10.3x →		9: 10.6x ↓	
	10: 9.7 ↖		10: 10.8x →	
	Series 103.2		Series 105.8	
	310.3		416.1	
Series 5 	1: 10.8x ↓	Series 6 	1: 10.8x ↓	
	2: 10.6x ↘		2: 10.4x ↘	
	3: 10.3x ↓		3: 10.6x ↓	
	4: 10.8x →		4: 10.8x ←	
	5: 10.7x ↗		5: 10.8x →	
	6: 10.5x ↓		6: 10.5x ↑	
	7: 10.6x ↑		7: 10.9x ↖	
	8: 10.7x ↓		8: 10.7x ↓	
	9: 10.6x ↗		9: 9.9 ↖	
	10: 10.7x ←		10: 10.6x ↗	
	Series 106.3		Series 106.0	
	522.4		628.4	