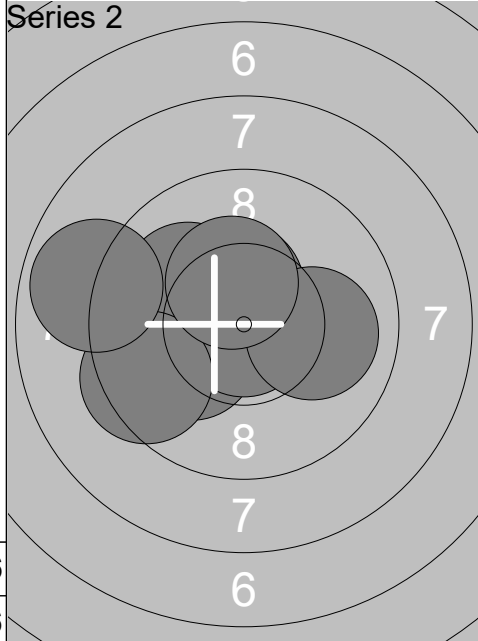
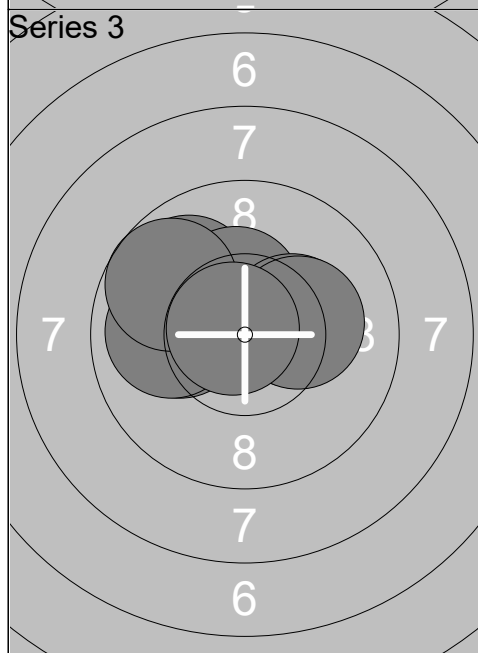


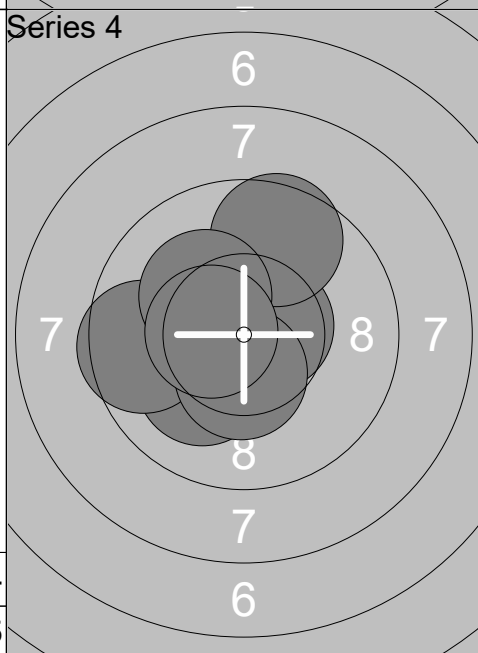
1:	10.7x ↗
2:	10.5x ↓
3:	10.1 ←
4:	10.8x ↙
5:	10.7x →
6:	10.5x ↘
7:	10.1 →
8:	9.5 →
9:	10.7x ↙
10:	10.0 ↖
Series	103.6
	103.6



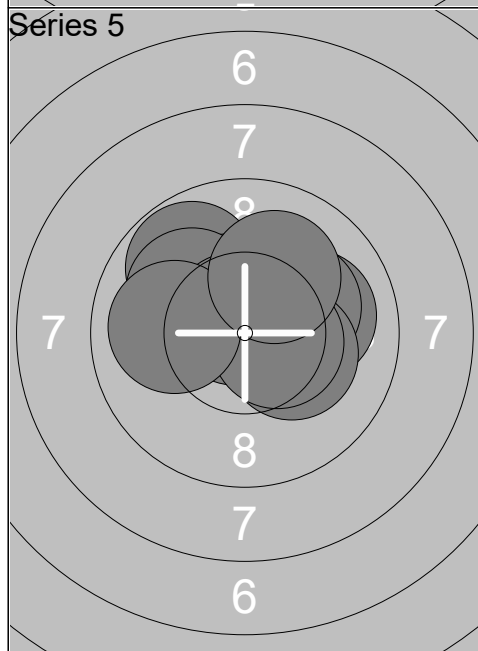
1:	10.5x ↑
2:	10.7x ↖
3:	10.4x ↖
4:	10.1 ↖
5:	10.1 ↖
6:	10.9x ↓
7:	10.0 →
8:	9.5 ↖
9:	10.4x ↑
10:	8.9 ↖
Series	101.5
	205.1



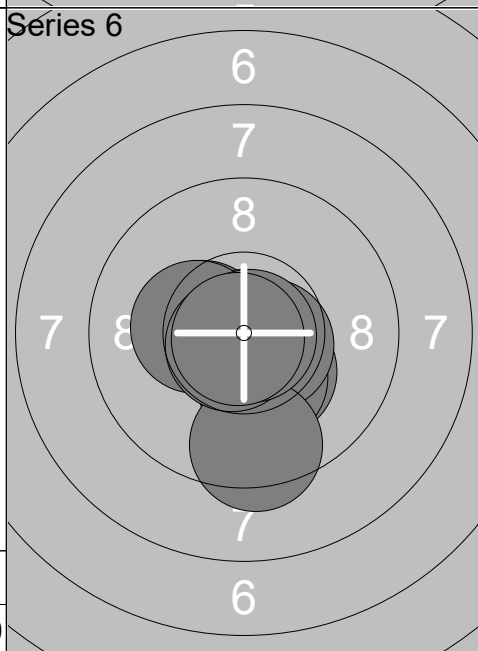
1:	10.7x ↖
2:	9.9 ↖
3:	10.4x ↑
4:	10.1 ←
5:	10.3x ↖
6:	10.3x →
7:	10.2x →
8:	9.9 ←
9:	9.8 ↖
10:	10.8x ↖
Series	102.4
	307.5



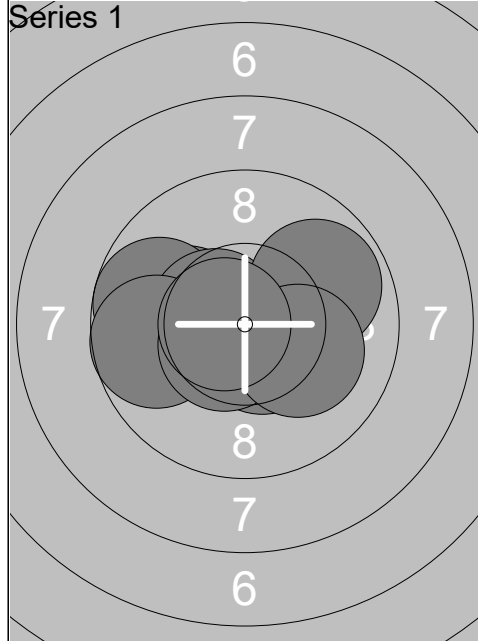
1:	10.7x ↙
2:	10.4x ↙
3:	10.2x ↖
4:	10.1 ↙
5:	10.6x →
6:	9.6 ←
7:	9.6 ↑
8:	10.2x ↖
9:	10.4x ↓
10:	10.5x ↖
Series	102.3
	409.8



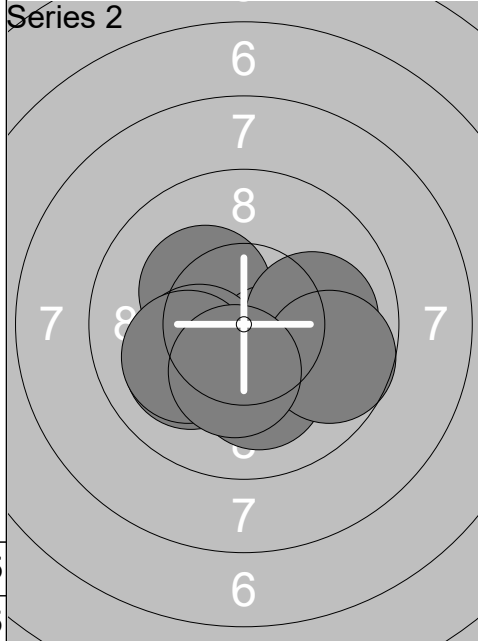
1:	9.8 ↖
2:	10.4x ↖
3:	10.1 →
4:	10.1 ↖
5:	10.2x →
6:	10.2x →
7:	10.7x ↖
8:	10.5x →
9:	10.0 ←
10:	10.1 ↑
Series	102.1
	511.9



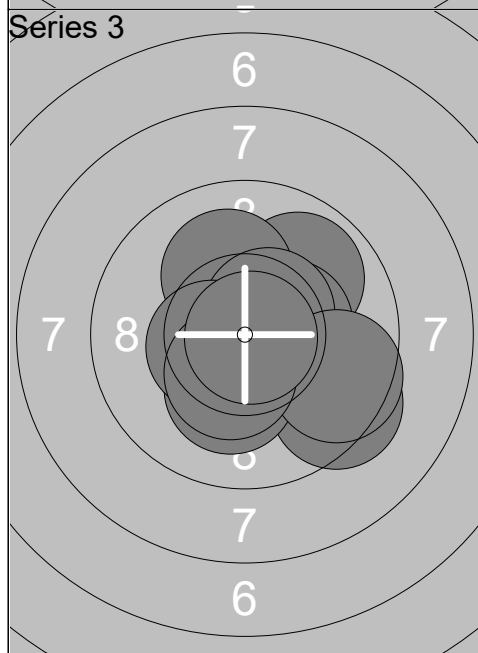
1:	10.3x ↓
2:	10.3x ↓
3:	10.4x ↖
4:	10.6x →
5:	9.4 ↓
6:	10.9x ↓
7:	10.3x ↖
8:	10.7x ↙
9:	10.9x →
10:	10.8x ↙
Series	104.6
	616.5



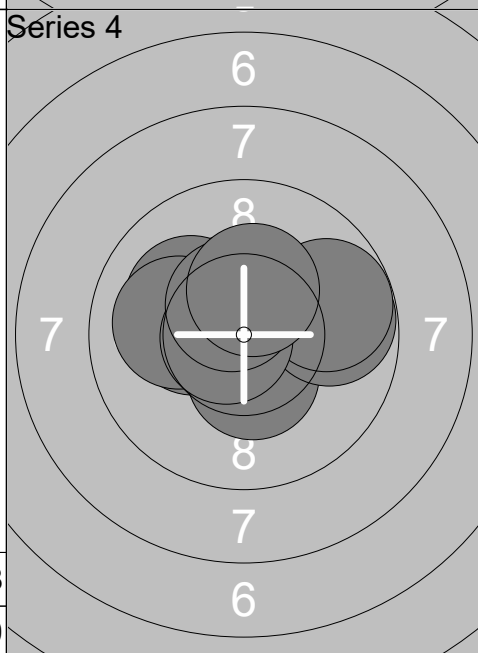
1:	10.5x	→
2:	10.1	←
3:	10.6x	↘
4:	9.8	←
5:	10.5x	↙
6:	9.7	←
7:	10.6x	↘
8:	9.9	↗
9:	10.1	↘
10:	10.7x	←
Series	102.5	
	102.5	



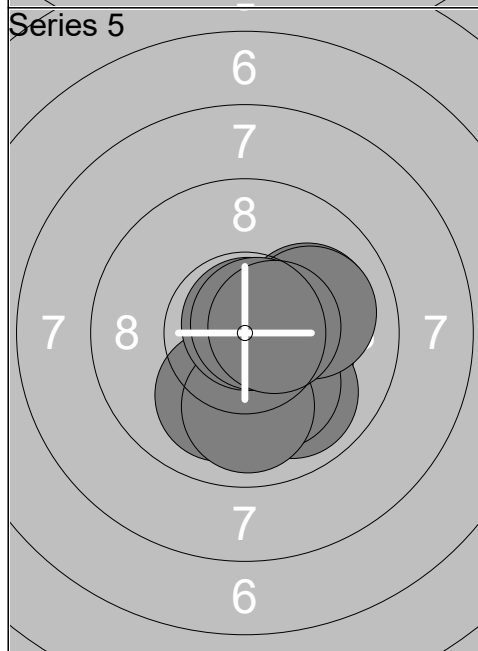
1:	10.6x	↘
2:	10.2x	↖
3:	10.4x	↘
4:	10.2x	↙
5:	10.1	↙
6:	10.1	↙
7:	10.0	→
8:	10.1	↓
9:	9.7	↘
10:	10.3x	↓
Series	101.7	
	204.2	



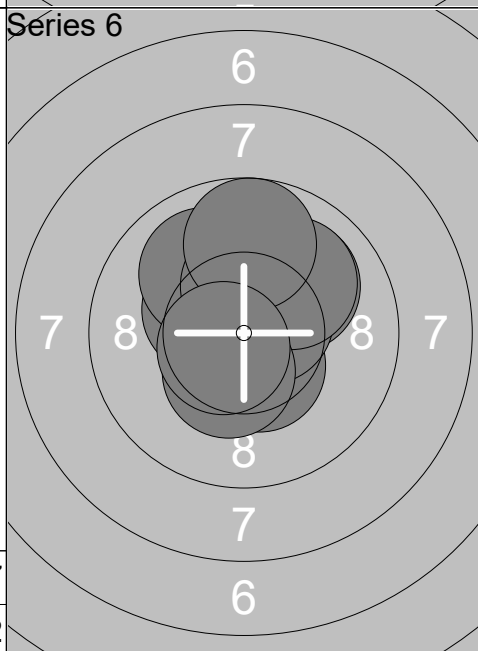
1:	9.9	↗
2:	10.4x	→
3:	10.1	↑
4:	10.5x	↗
5:	9.4	↘
6:	10.2x	↓
7:	10.5x	↙
8:	9.6	↘
9:	10.4x	↓
10:	10.8x	↘
Series	101.8	
	306.0	



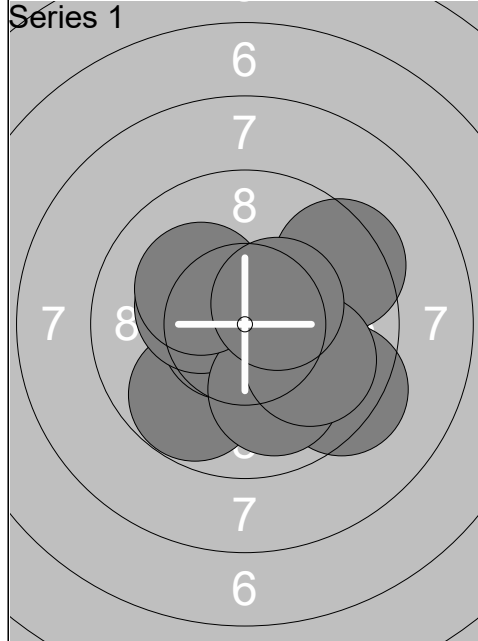
1:	10.3x	↙
2:	10.4x	↓
3:	10.5x	↗
4:	10.1	↙
5:	9.8	→
6:	9.8	→
7:	10.1	←
8:	10.7x	↙
9:	10.5x	↗
10:	10.3x	↑
Series	102.5	
	408.5	



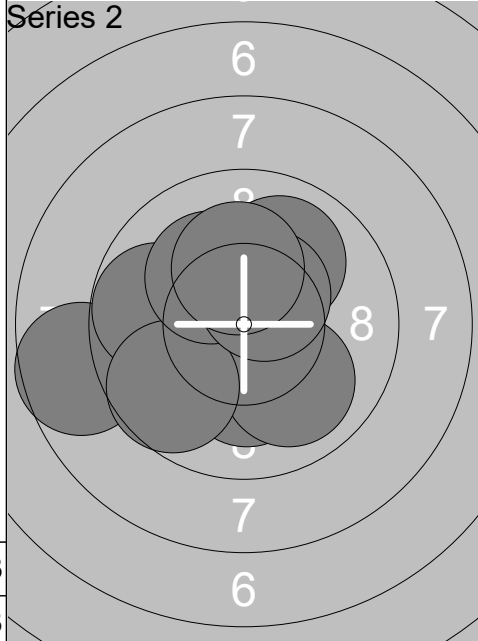
1:	10.1	→
2:	10.3x	↘
3:	9.9	↘
4:	10.1	↓
5:	10.2x	↘
6:	10.0	↓
7:	10.0	→
8:	10.8x	↑
9:	10.8x	↗
10:	10.5x	→
Series	102.7	
	511.2	



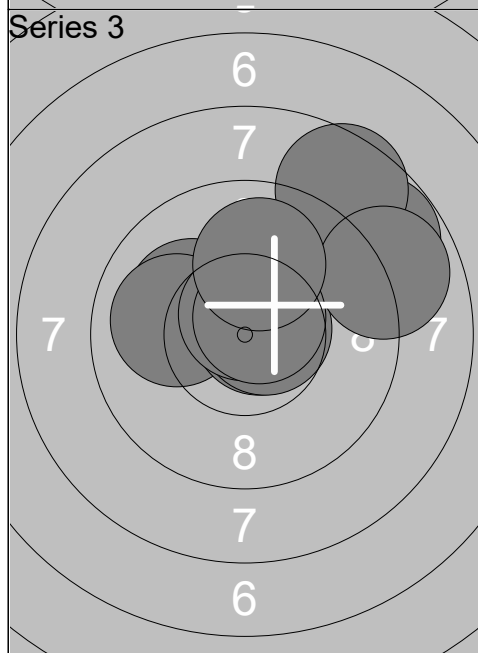
1:	10.4x	↖
2:	10.5x	↓
3:	10.0	↗
4:	10.0	↖
5:	10.3x	↑
6:	10.6x	↗
7:	10.0	↗
8:	10.4x	↓
9:	9.7	↑
10:	10.6x	↙
Series	102.5	
	613.7	



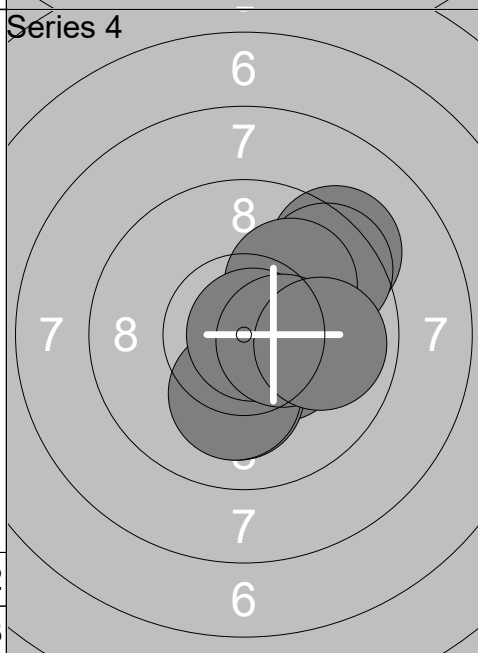
1:	9.8 ↘
2:	10.7x↙
3:	9.4 ↘
4:	10.2x→
5:	10.3x↙
6:	10.0 ↘
7:	9.4 ↗
8:	10.2x↖
9:	9.9 ↘
10:	10.4x↗
Series	100.3
	100.3



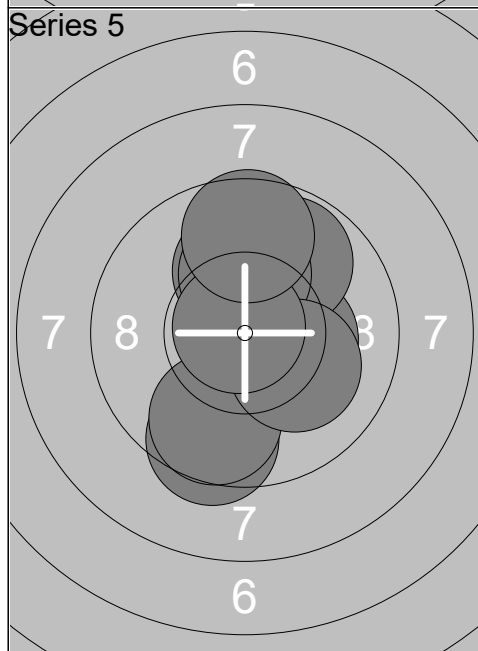
1:	8.7 ←
2:	10.0 ↗
3:	10.5x↖
4:	9.8 ←
5:	10.2x↓
6:	10.0 ↘
7:	9.7 ↘
8:	10.2x↖
9:	10.5x↗
10:	10.2x↑
Series	99.8
	200.1



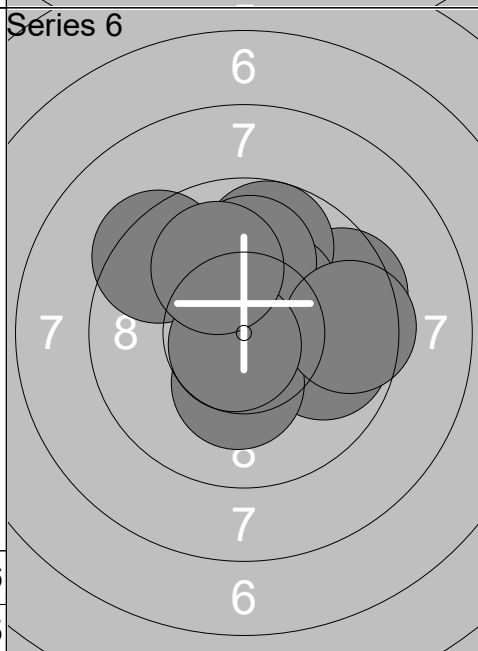
1:	10.1 ↖
2:	10.0 ←
3:	10.8x→
4:	8.8 ↗
5:	10.7x→
6:	8.6 ↗
7:	8.9 ↗
8:	10.7x↑
9:	10.6x↗
10:	10.0 ↑
Series	99.2
	299.3



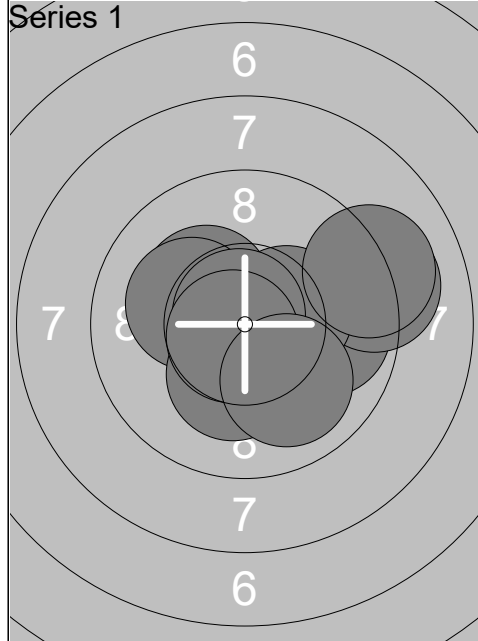
1:	9.3 ↗
2:	10.0 →
3:	9.5 ↗
4:	10.4x↘
5:	10.0 ↗
6:	10.2x↓
7:	10.1 ↓
8:	10.8x→
9:	10.4x→
10:	9.9 →
Series	100.6
	399.9



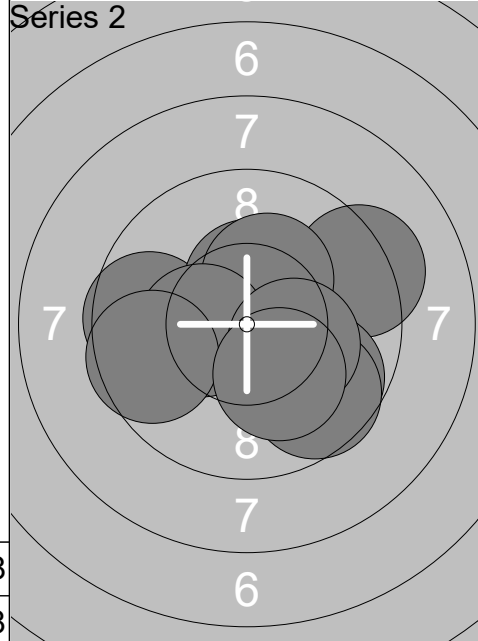
1:	10.1 ↑
2:	10.3x→
3:	9.8 ↗
4:	10.1 ↑
5:	10.6x↓
6:	9.4 ↓
7:	9.7 ↓
8:	10.2x↘
9:	10.8x↖
10:	9.6 ↑
Series	100.6
	500.5



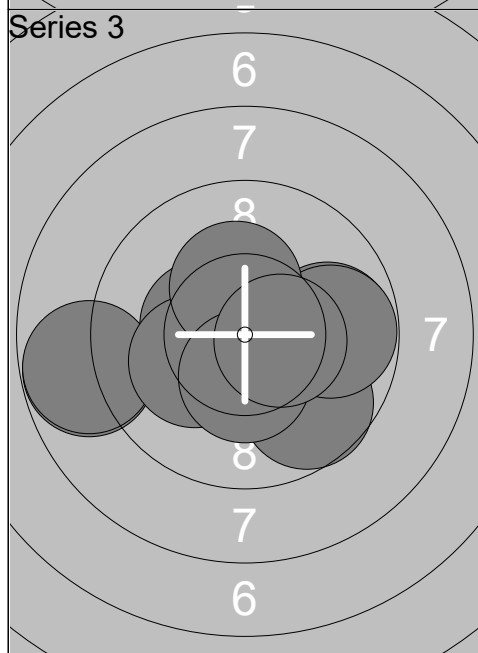
1:	9.5 ↗
2:	9.9 →
3:	9.4 ↖
4:	9.8 ↑
5:	10.3x↓
6:	10.3x↗
7:	10.0 ↑
8:	9.5 →
9:	10.7x↙
10:	10.0 ↖
Series	99.4
	599.9



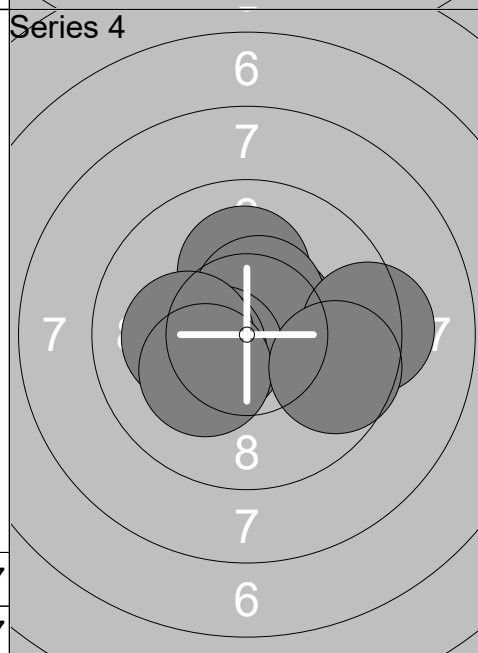
1:	10.3x ↖
2:	9.9 →
3:	10.2x ↙
4:	9.1 →
5:	10.4x →
6:	10.8x ↖
7:	9.1 →
8:	10.3x ↓
9:	10.7x ↙
10:	10.0 ↓
Series	100.8
	100.8



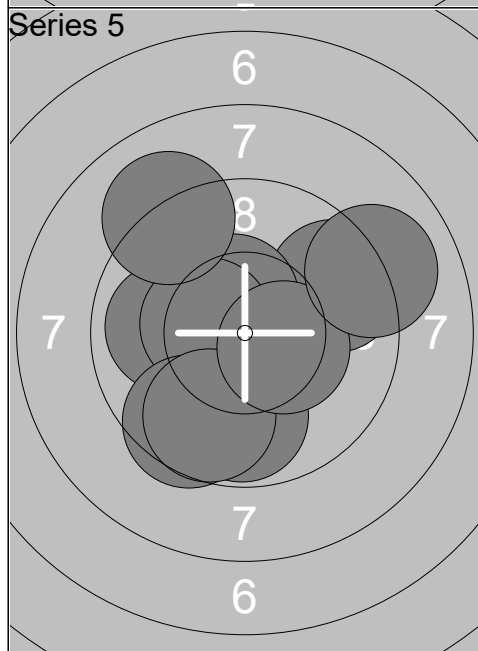
1:	9.3 →
2:	9.8 ↘
3:	9.6 ↘
4:	9.6 ←
5:	10.4x ↑
6:	10.3x ↗
7:	10.3x ←
8:	9.6 ←
9:	10.2x ↘
10:	10.1 ↓
Series	99.2
	200.0



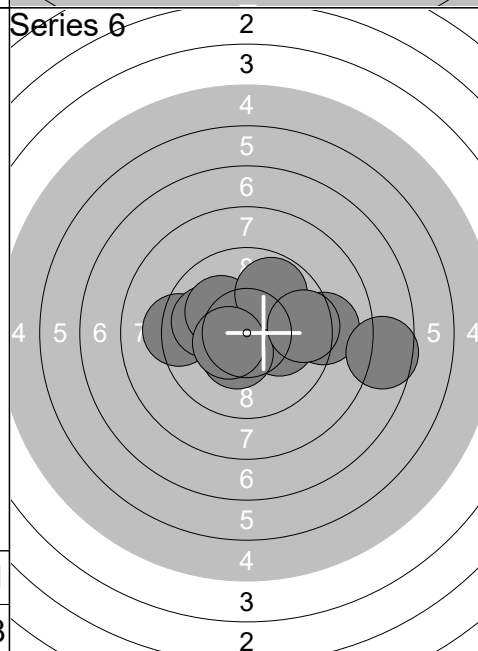
1:	9.7 ↘
2:	8.8 ←
3:	8.8 ←
4:	10.4x ↙
5:	9.8 →
6:	10.2x ↙
7:	9.8 →
8:	10.3x ↑
9:	10.4x ↓
10:	10.5x →
Series	98.7
	298.7



1:	10.5x ↗
2:	10.7x ↗
3:	10.1 ↑
4:	10.5x ↗
5:	10.5x ↙
6:	10.3x ←
7:	10.2x ←
8:	9.3 →
9:	10.2x ↙
10:	9.7 →
Series	102.0
	400.7



1:	9.6 →
2:	10.0 ←
3:	10.5x ↗
4:	10.4x ↙
5:	9.8 ↓
6:	9.5 ↘
7:	9.7 ↘
8:	10.4x ↘
9:	9.1 ↗
10:	9.1 →
Series	98.1
	498.8

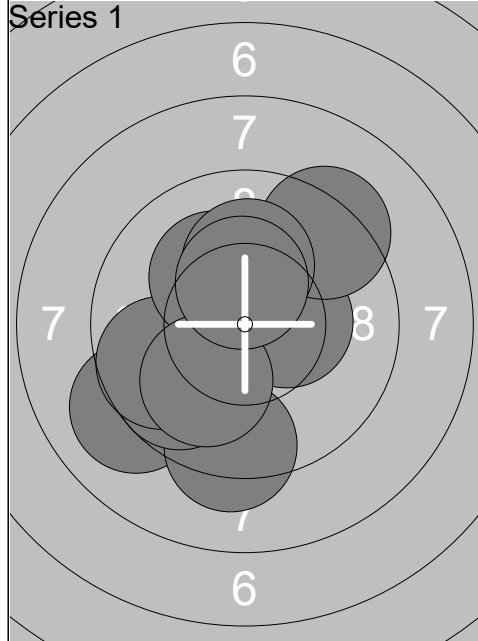


1:	10.2x →
2:	9.3 ←
3:	10.0 ←
4:	10.4x ↓
5:	9.1 →
6:	10.1 ↖
7:	9.8 ↗
8:	7.6 →
9:	9.6 →
10:	10.5x ↙
Series	96.6
	595.4

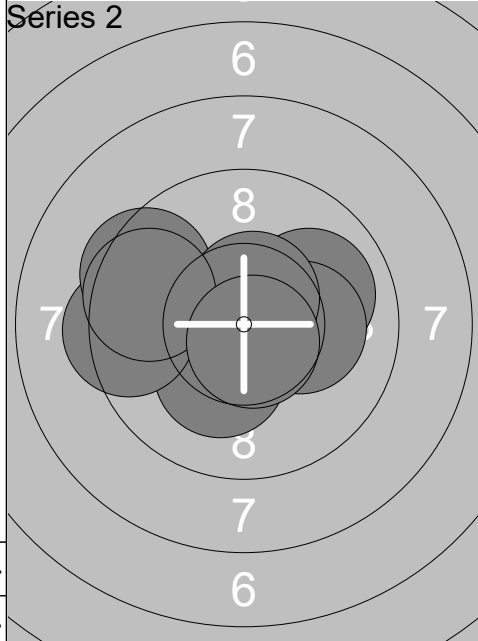
Relay	Lane	Szymon Latuszek		
3	27			
Qual Day 2	SWE	MJ	R	
11.02.2026	Denmark Open Air 2026	Denmark Open Air 2026		
Series 1 	1: 9.7 ↗	Series 2 	1: 9.7 ↗	
	2: 10.5x ↗		2: 9.3 ↑	
	3: 9.4 →		3: 9.7 ↑	
	4: 10.1 ↗		4: 9.9 ←	
	5: 9.5 →		5: 10.2x ↑	
	6: 10.4x ↑		6: 8.5 ←	
	7: 10.4x ↑		7: 9.4 ↑	
	8: 9.1 →		8: 7.4 →	
	9: 8.9 ↗		9: 10.5x →	
	10: 9.3 ↑		10: 9.1 ↑	
	Series 97.3		Series 93.7	
	97.3		191.0	
Series 3 	1: 9.4 ←	Series 4 	1: 8.2 ↗	
	2: 10.7x ↗		2: 8.0 ↗	
	3: 9.9 ↓		3: 8.8 ↗	
	4: 8.5 ↗		4: 9.8 ↙	
	5: 9.6 ↗		5: 9.1 ←	
	6: 8.6 ↗		6: 9.1 ↓	
	7: 7.7 ↗		7: 10.6x ←	
	8: 9.1 →		8: 9.9 ↘	
	9: 8.0 ←		9: 9.2 ←	
	10: 7.4 ↗		10: 10.6x ↑	
	Series 88.9		Series 93.3	
	279.9		373.2	
Series 5 	1: 10.5x ↙	Series 6 	1: 9.6 ↗	
	2: 9.4 ←		2: 9.3 ←	
	3: 10.4x ↙		3: 10.5x ↓	
	4: 10.4x ↓		4: 6.6 ←	
	5: 10.3x ↓		5: 10.5x ↗	
	6: 9.6 ←		6: 9.7 →	
	7: 8.6 ←		7: 9.1 ←	
	8: 10.2x ↙		8: 9.4 ↗	
	9: 9.0 ←		9: 9.5 ↙	
	10: 9.4 ←		10: 9.7 ↙	
	Series 97.8		Series 93.9	
	471.0		564.9	

Relay	Lane	Malik Lindharth		
3	28	DEN	MJ	R
Qual Day 2		Denmark Open Air 2026		Denmark Open Air 2026
11.02.2026				
Series 1 	1: 9.6 ↑	Series 2 	1: 10.4x ➤	
	2: 10.7x ←		2: 10.0 ➤	
	3: 10.2x ↑		3: 10.6x ↖	
	4: 10.1 ↙		4: 10.0 ↖	
	5: 10.8x ↗		5: 10.7x ➤	
	6: 9.7 ↑		6: 10.3x ↓	
	7: 10.6x ↗		7: 10.6x ➤	
	8: 10.2x ➤		8: 10.5x ↗	
	9: 10.6x ➤		9: 9.7 ↑	
	10: 10.6x ➤		10: 10.3x ↗	
	Series 103.1	Series 103.1	Series 103.1	
	103.1		206.2	
Series 3 	1: 10.3x ➤	Series 4 	1: 9.9 ↖	
	2: 9.9 ←		2: 10.2x ➤	
	3: 10.4x ↖		3: 10.8x ↖	
	4: 10.8x ↙		4: 10.6x ↖	
	5: 10.3x ↙		5: 10.4x ←	
	6: 10.2x ←		6: 10.5x ↖	
	7: 10.5x ↖		7: 9.1 ↑	
	8: 9.6 ←		8: 9.9 ↗	
	9: 9.7 ↖		9: 9.4 ←	
	10: 10.1 ←		10: 10.1 ↓	
	Series 101.8	Series 100.9	Series 100.9	
	308.0		408.9	
Series 5 	1: 10.1 ←	Series 6 	1: 10.1 ←	
	2: 10.3x ➤		2: 10.5x ↗	
	3: 10.2x ➤		3: 10.3x ↙	
	4: 10.2x ↑		4: 10.6x ↙	
	5: 9.3 ↖		5: 10.5x ←	
	6: 10.2x ↑		6: 10.3x ↓	
	7: 9.7 ↓		7: 10.2x ↖	
	8: 10.6x ➤		8: 10.2x ↖	
	9: 9.5 ➤		9: 9.9 ↑	
	10: 9.9 ↓		10: 9.7 ←	
	Series 100.0	Series 102.3	Series 102.3	
	508.9		611.2	

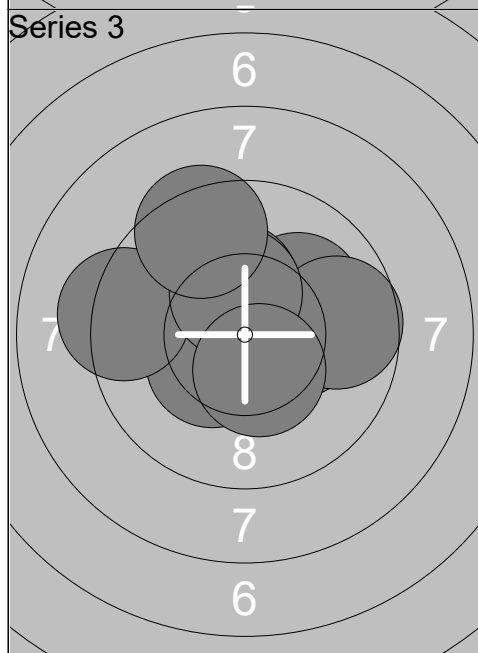
Relay	Lane	Brandon Lu		
Qual Day 2	CAN	MJ	R	
11.02.2026	Denmark Open Air 2026	Denmark Open Air 2026		
Series 1 	1: 10.6x ↗	Series 2 	1: 10.1 ➤	
	2: 10.0 ↑		2: 8.8 ➤	
	3: 9.1 ↘		3: 9.1 ↗	
	4: 9.9 ↘		4: 9.1 ➤	
	5: 9.2 ↘		5: 9.6 ↗	
	6: 9.7 ➤		6: 10.2x ↗	
	7: 8.6 ←		7: 9.8 ↖	
	8: 10.2x ↖		8: 10.3x ➤	
	9: 9.4 ↗		9: 10.4x ↗	
	10: 7.8 ↑		10: 9.8 ➤	
	Series 94.5	Series 97.2		
	94.5	191.7		
Series 3 	1: 10.2x ➤	Series 4 	1: 9.2 ↗	
	2: 9.2 ↑		2: 10.0 ↑	
	3: 10.1 ➤		3: 7.2 ➤	
	4: 10.3x ↖		4: 10.1 ↘	
	5: 10.1 ↘		5: 9.8 ↖	
	6: 9.3 ←		6: 9.6 ↗	
	7: 9.6 ↗		7: 9.9 ↗	
	8: 10.8x ↑		8: 9.4 ➤	
	9: 10.3x ↗		9: 10.1 ➤	
	10: 10.7x ↖		10: 7.8 ➤	
	Series 100.6	Series 93.1		
	292.3	385.4		
Series 5 	1: 10.0 ➤	Series 6 	1: 10.3x ➤	
	2: 9.9 ←		2: 9.9 ↘	
	3: 10.3x ←		3: 9.7 ➤	
	4: 9.9 ➤		4: 10.3x ↘	
	5: 10.4x ↗		5: 9.5 ➤	
	6: 9.8 ➤		6: 9.8 ←	
	7: 8.8 ←		7: 9.9 ←	
	8: 10.0 ↗		8: 9.5 ➤	
	9: 10.4x ↖		9: 10.2x ↘	
	10: 10.6x ↘		10: 10.1 ➤	
	Series 100.1	Series 99.2		
	485.5	584.7		



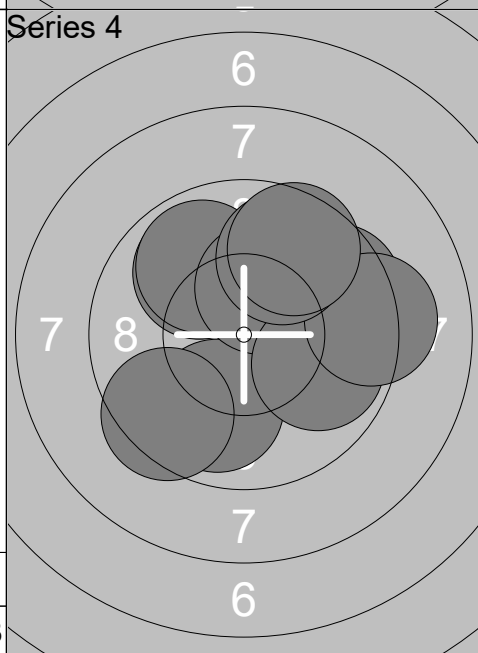
1:	9.1	↙
2:	9.3	↓
3:	10.4x	→
4:	9.8	↙
5:	9.7	↙
6:	9.3	↗
7:	10.2x	↖
8:	10.2x	↑
9:	10.0	↘
10:	10.4x	↑
Series	98.4	
	98.4	



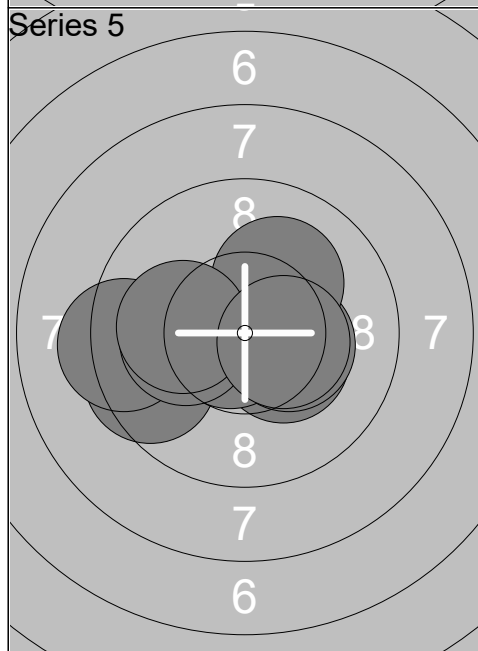
1:	10.3x	↘
2:	10.6x	↗
3:	10.0	↗
4:	9.4	←
5:	10.2x	→
6:	10.9x	↘
7:	9.5	↖
8:	10.6x	↑
9:	9.6	←
10:	10.7x	↘
Series	101.8	
	200.2	



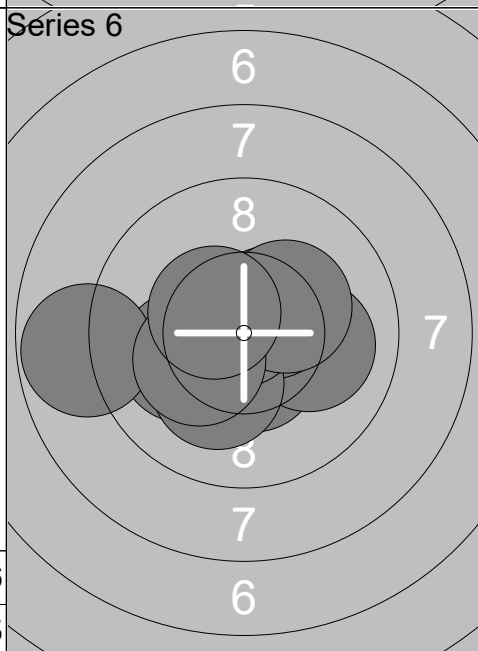
1:	10.3x	→
2:	10.8x	↘
3:	10.4x	↙
4:	10.1	↗
5:	9.7	→
6:	10.3x	↑
7:	9.3	←
8:	10.4x	↑
9:	9.4	↗
10:	10.4x	↘
Series	101.1	
	301.3	



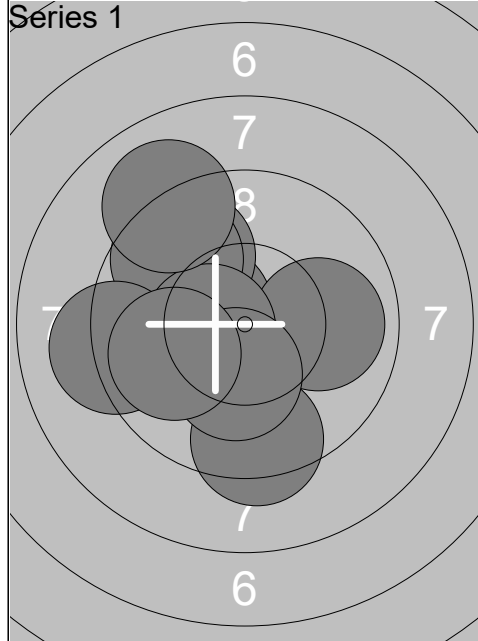
1:	9.9	↘
2:	9.9	↖
3:	9.6	↗
4:	9.9	↖
5:	10.3x	↑
6:	9.9	↘
7:	9.2	→
8:	9.8	↗
9:	9.6	↗
10:	9.5	↘
Series	97.6	
	398.9	



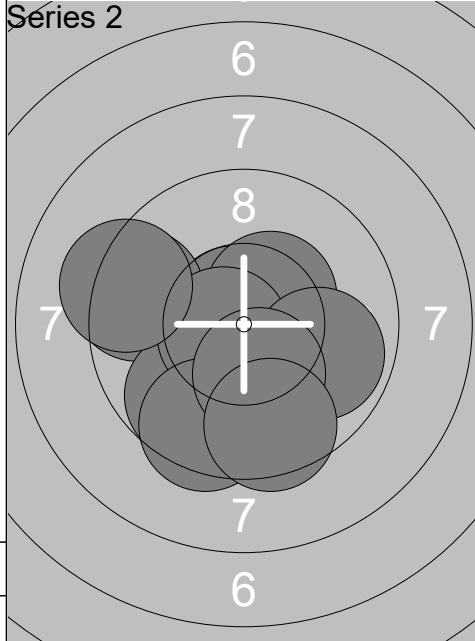
1:	10.3x	↘
2:	10.6x	→
3:	10.3x	→
4:	9.5	←
5:	10.7x	↙
6:	9.3	←
7:	10.2x	←
8:	10.2x	↗
9:	10.1	←
10:	10.4x	→
Series	101.6	
	500.5	



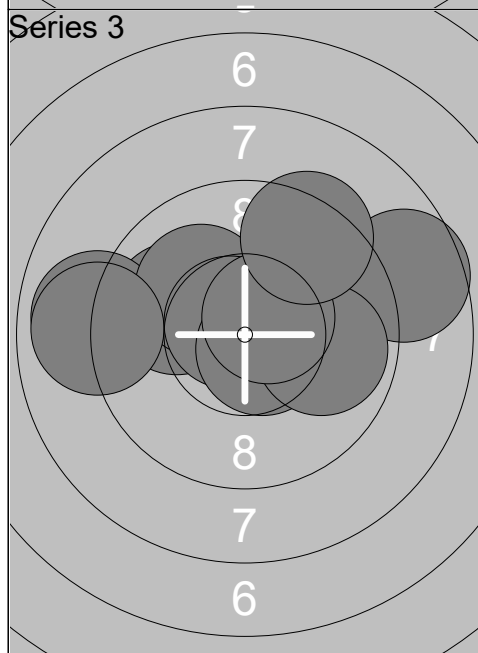
1:	10.5x	↘
2:	10.1	→
3:	10.5x	↗
4:	10.1	←
5:	8.8	←
6:	10.2x	↘
7:	10.8x	↖
8:	10.3x	↗
9:	10.3x	↙
10:	10.5x	↖
Series	102.1	
	602.6	



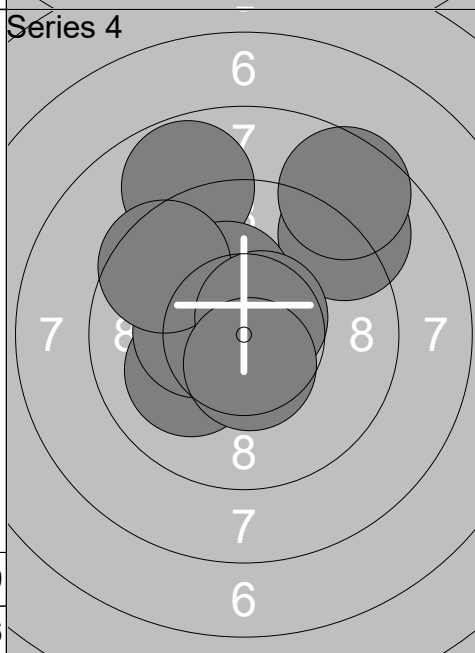
1:	10.4x	↙
2:	9.9	→
3:	9.7	↗
4:	9.7	↗
5:	9.4	↓
6:	10.5x	↙
7:	9.1	↗
8:	10.3x	↓
9:	9.2	←
10:	9.9	←
Series	98.1	
	98.1	



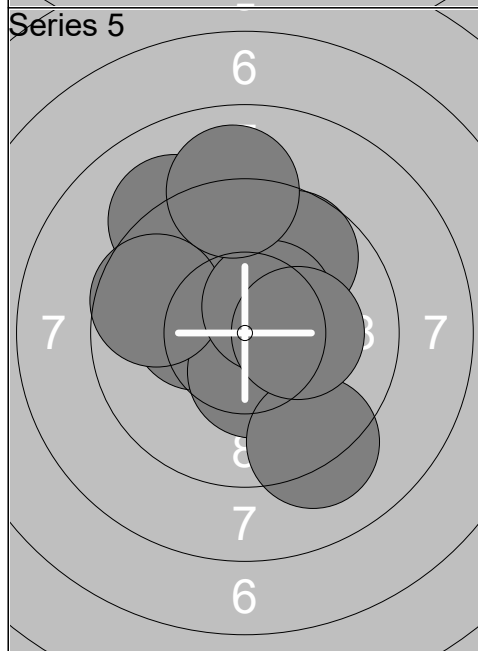
1:	10.7x	↖
2:	10.4x	↗
3:	9.5	←
4:	9.8	↓
5:	10.7x	↙
6:	9.9	→
7:	9.3	←
8:	9.5	↓
9:	10.3x	↓
10:	9.5	↓
Series	99.6	
	197.7	



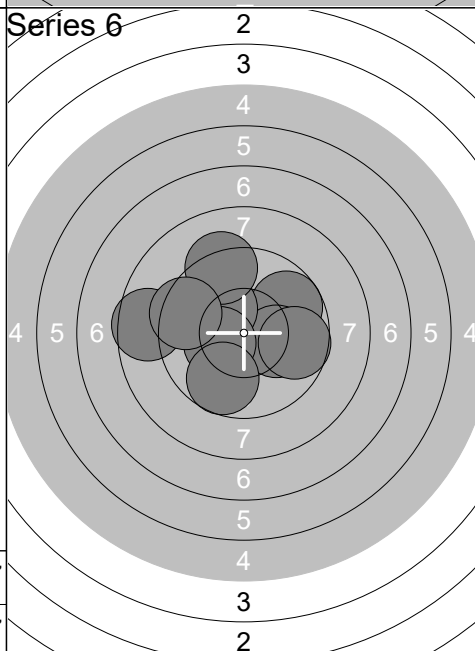
1:	10.0	←
2:	8.9	←
3:	8.7	→
4:	10.1	↗
5:	8.9	←
6:	10.7x	↖
7:	10.7x	↘
8:	9.9	→
9:	10.6x	↗
10:	9.4	↗
Series	97.9	
	295.6	



1:	9.0	↗
2:	8.8	↗
3:	10.1	↙
4:	10.7x	↖
5:	10.3x	↗
6:	10.3x	↙
7:	9.5	↗
8:	10.6x	↗
9:	10.5x	↓
10:	8.6	↗
Series	98.4	
	394.0	



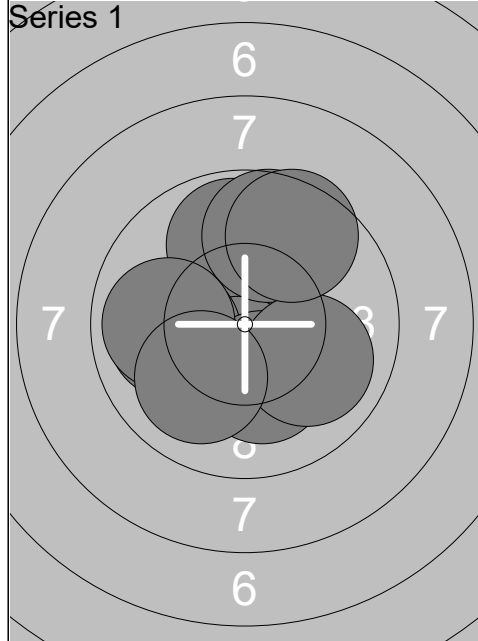
1:	10.4x	↗
2:	10.3x	↙
3:	10.4x	↓
4:	9.7	↗
5:	9.2	↗
6:	9.7	←
7:	10.5x	↗
8:	9.0	↑
9:	9.2	↓
10:	10.3x	→
Series	98.7	
	492.7	



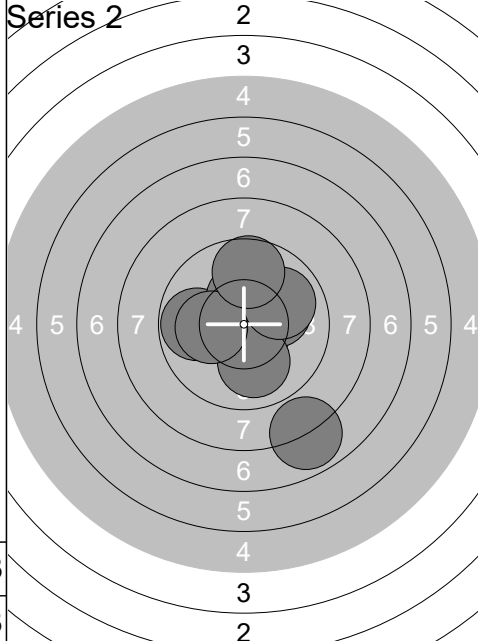
1:	8.6	←
2:	10.8x	↙
3:	9.8	↗
4:	10.1	→
5:	9.7	→
6:	10.1	↗
7:	10.3x	↙
8:	9.3	↗
9:	9.4	←
10:	9.7	↓
Series	97.8	
	590.5	

Relay	Lane	Karl Pantzar		
3	32	SWE	MJ	R
Qual Day 2		Denmark Open Air 2026		Denmark Open Air 2026
11.02.2026				
Series 1 	1: 10.2x ↗	Series 2 	1: 8.7 →	
	2: 10.6x ➡		2: 10.4x ↓	
	3: 10.5x ➡		3: 9.9 ↓	
	4: 10.2x ↗		4: 8.4 →	
	5: 9.5 ↗		5: 10.1 →	
	6: 9.1 →		6: 10.0 ↓	
	7: 10.8x ↙		7: 10.2x ↙	
	8: 9.6 ←		8: 9.6 ←	
	9: 10.7x ↖		9: 9.8 ↗	
	10: 10.7x ↖		10: 9.5 ↗	
	Series 101.9	Series 96.6		
	101.9		198.5	
Series 3 	1: 9.7 →	Series 4 	1: 10.4x ↖	
	2: 9.9 ↖		2: 10.1 ←	
	3: 9.9 →		3: 10.4x ➡	
	4: 9.9 ↗		4: 10.3x ←	
	5: 10.2x ↙		5: 10.5x ↗	
	6: 9.8 ↗		6: 10.5x ↗	
	7: 9.9 ←		7: 10.1 ←	
	8: 10.5x ↖		8: 10.8x ←	
	9: 9.7 →		9: 10.6x ↗	
	10: 8.8 ←		10: 10.0 →	
	Series 98.3	Series 103.7		
	296.8		400.5	
Series 5 	1: 10.1 ↓	Series 6 	1: 9.4 ↖	
	2: 10.2x ↗		2: 9.7 →	
	3: 9.6 →		3: 10.0 ↖	
	4: 9.9 ←		4: 9.6 →	
	5: 10.3x ↗		5: 9.1 ↖	
	6: 9.9 ↓		6: 10.2x ↙	
	7: 9.5 ←		7: 9.7 ↗	
	8: 9.8 ↗		8: 9.8 ←	
	9: 10.6x ←		9: 10.0 ↖	
	10: 9.7 ←		10: 9.5 ←	
	Series 99.6	Series 97.0		
	500.1		597.1	

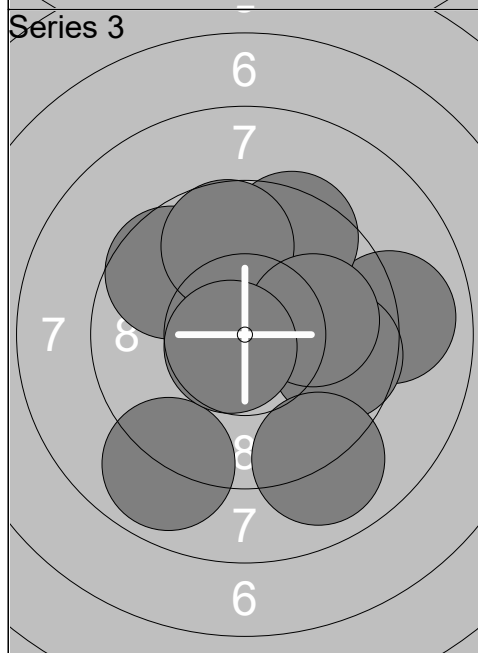
Relay	Lane	Mikael Rutgersson			
3	33	SWE		MJ	R
Qual Day 2		Denmark Open Air 2026		Denmark Open Air 2026	
11.02.2026		Denmark Open Air 2026		Denmark Open Air 2026	
Series 1		1: 9.5 ↙	Series 2		1: 7.6 ➔
		2: 9.1 ←			2: 10.0 ↑
		3: 9.9 ↘			3: 10.2x↙
		4: 9.7 ←			4: 7.9 ➔
		5: 9.4 ➔			5: 10.2x➔
		6: 8.8 ←			6: 10.1 ↗
		7: 9.7 ➔			7: 8.8 ←
		8: 9.2 ↗			8: 9.8 ➔
		9: 8.4 ←			9: 9.6 ↑
		10: 10.7x↘			10: 9.2 ➔
		Series 94.4			Series 93.4
		94.4			187.8
Series 3		1: 10.0 ↖	Series 4		1: 8.9 ↑
		2: 9.1 ➔			2: 9.0 ←
		3: 9.6 ↑			3: 9.9 ➔
		4: 10.3x➔			4: 10.3x↘
		5: 10.2x➔			5: 9.5 ↗
		6: 9.1 ←			6: 9.5 ↑
		7: 10.5x↙			7: 9.5 ↖
		8: 8.1 ←			8: 8.7 ↗
		9: 9.9 ↑			9: 9.4 ↑
		10: 9.1 ←			10: 8.6 ↑
		Series 95.9			Series 93.3
		283.7			377.0
Series 5		1: 10.4x↖	Series 6		1: 9.9 ↗
		2: 10.0 ➔			2: 10.2x↘
		3: 9.2 ➔			3: 9.6 ↗
		4: 9.7 ↗			4: 9.4 ↘
		5: 10.8x↘			5: 8.8 ←
		6: 9.2 ↘			6: 9.1 ↑
		7: 8.2 ←			7: 9.7 ←
		8: 9.6 ←			8: 9.3 ↗
		9: 9.5 ↘			9: 8.1 ➔
		10: 9.3 ➔			10: 8.4 ←
		Series 95.9			Series 92.5
		472.9			565.4



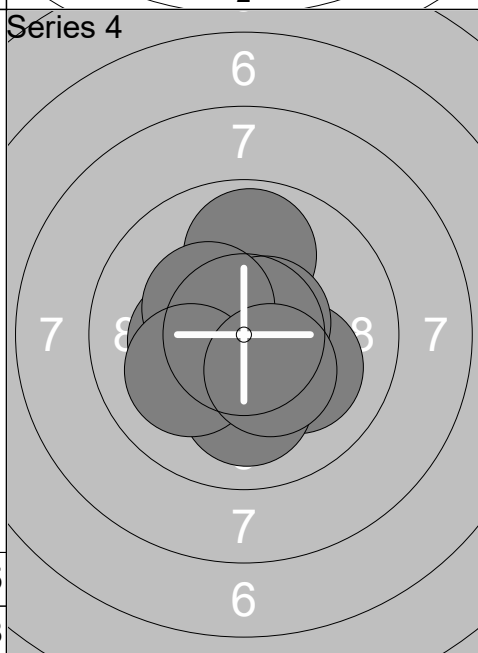
1:	9.8	↑
2:	10.7x	↘
3:	10.4x	↓
4:	9.7	↑
5:	10.0	←
6:	10.2x	↓
7:	9.9	←
8:	10.0	⇒
9:	10.0	↘
10:	9.6	↑
Series	100.3	
	100.3	



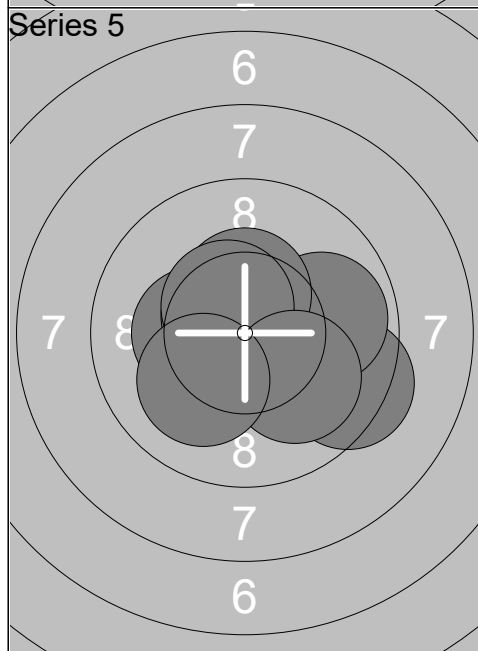
1:	10.5x	↗
2:	10.6x	↘
3:	9.8	←
4:	10.1	⇒
5:	10.3x	↑
6:	10.0	↓
7:	10.2x	←
8:	9.9	⇒
9:	7.9	↘
10:	9.7	↑
Series	99.0	
	199.3	



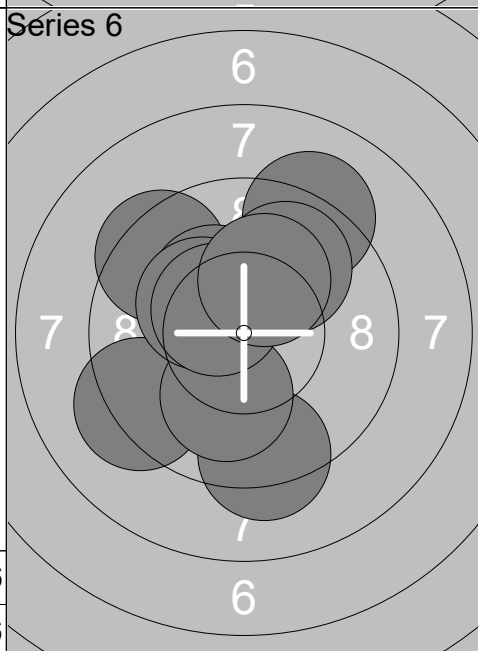
1:	9.7	↖
2:	10.3x	↑
3:	9.0	⇒
4:	9.5	↑
5:	9.7	⇒
6:	9.0	↓
7:	9.7	↑
8:	8.9	↓
9:	10.0	⇒
10:	10.7x	↘
Series	96.5	
	295.8	



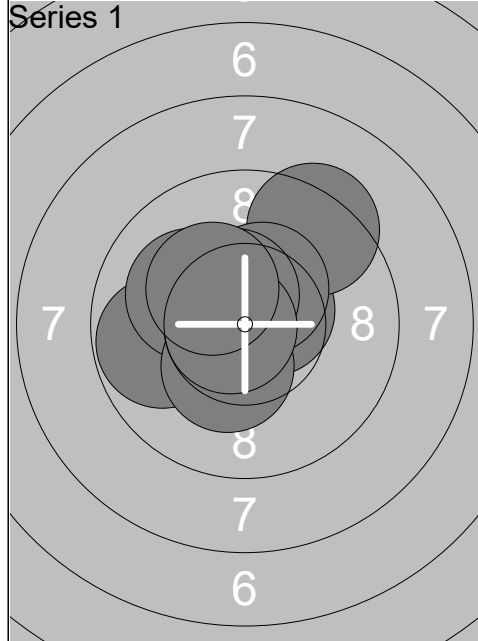
1:	9.9	↑
2:	10.6x	↖
3:	10.7x	←
4:	10.1	⇒
5:	10.3x	←
6:	10.6x	⇒
7:	10.1	↓
8:	10.4x	↖
9:	10.1	←
10:	10.4x	↘
Series	103.2	
	399.0	



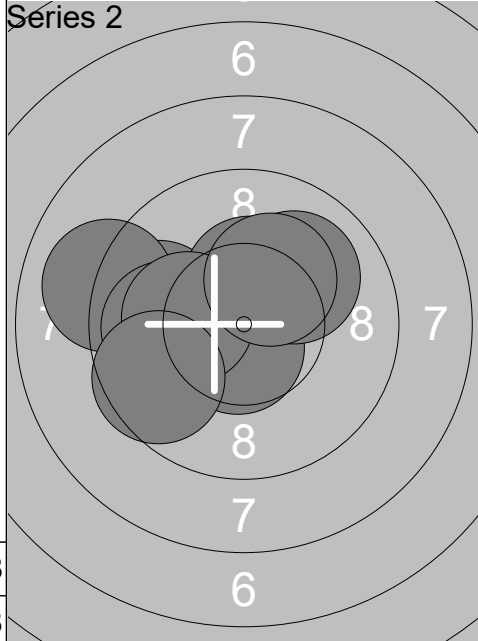
1:	10.1	↘
2:	9.4	⇒
3:	10.2x	⇒
4:	9.9	⇒
5:	10.4x	↑
6:	10.3x	←
7:	10.6x	↖
8:	10.5x	↖
9:	10.1	↘
10:	10.1	↘
Series	101.6	
	500.6	



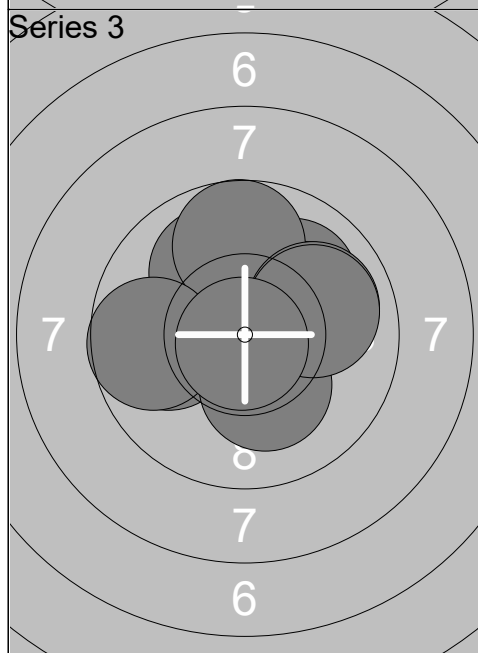
1:	9.3	↘
2:	9.4	↖
3:	9.2	↑
4:	9.3	↓
5:	10.3x	↖
6:	10.1	↓
7:	10.3x	↖
8:	9.9	↑
9:	10.5x	↖
10:	10.2x	↑
Series	98.5	
	599.1	



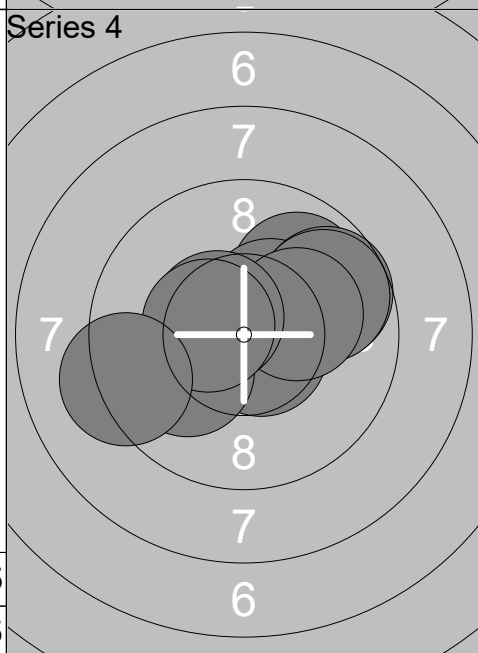
1:	10.6x ↗
2:	9.4 ↗
3:	10.6x ↖
4:	9.8 ←
5:	10.4x ↗
6:	10.1 ↖
7:	10.5x ↗
8:	10.3x ↓
9:	10.8x ←
10:	10.3x ↖
Series	102.8
	102.8



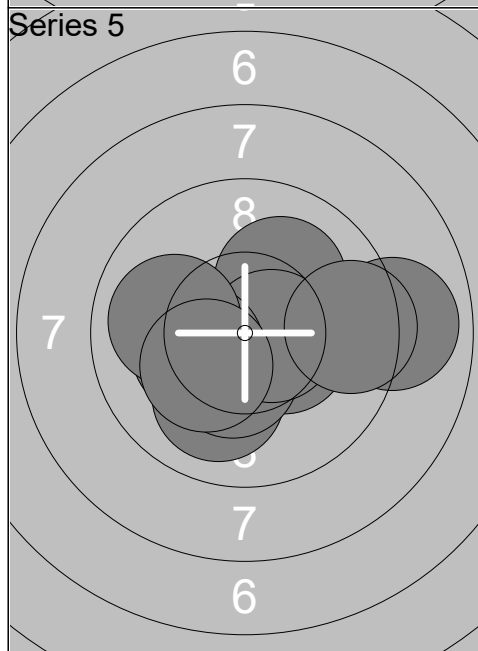
1:	9.8 ←
2:	10.4x ↑
3:	9.0 ←
4:	9.9 ←
5:	10.4x ←
6:	10.6x ↓
7:	10.0 ↗
8:	10.2x ←
9:	10.3x ↗
10:	9.6 ←
Series	100.2
	203.0



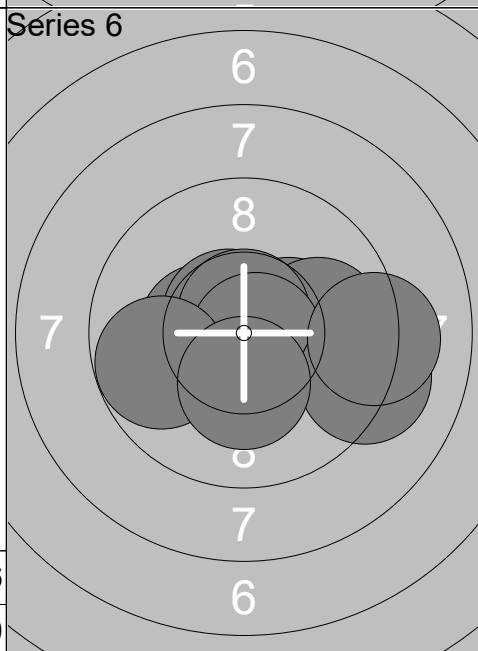
1:	9.9 ←
2:	10.0 ↗
3:	10.2x ↓
4:	10.0 ↗
5:	10.1 →
6:	9.8 ↑
7:	10.0 →
8:	10.0 →
9:	9.7 ←
10:	10.8x ↓
Series	100.5
	303.5



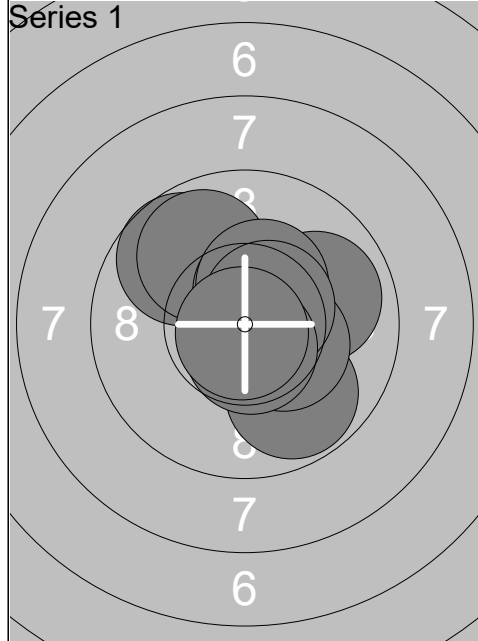
1:	9.9 ↗
2:	10.4x ↗
3:	9.7 ↗
4:	10.7x ↘
5:	9.7 →
6:	10.1 ←
7:	10.2x →
8:	10.5x ↖
9:	10.4x ←
10:	9.2 ←
Series	100.8
	404.3



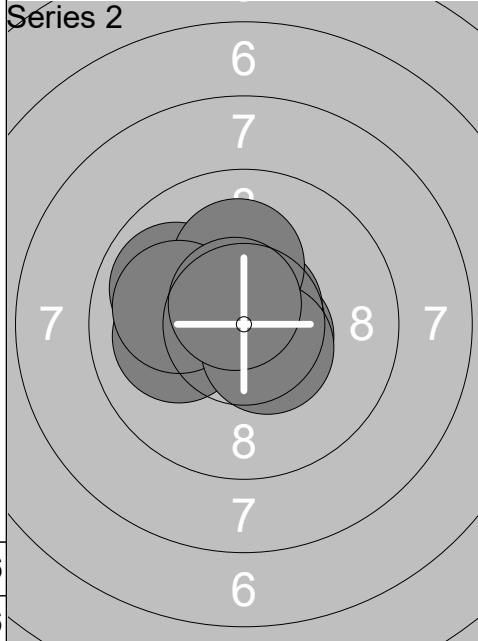
1:	10.4x →
2:	10.0 ↓
3:	10.1 ↗
4:	10.4x ↓
5:	9.0 →
6:	10.6x →
7:	10.3x ←
8:	9.5 →
9:	10.0 ←
10:	10.3x ↙
Series	100.6
	504.9



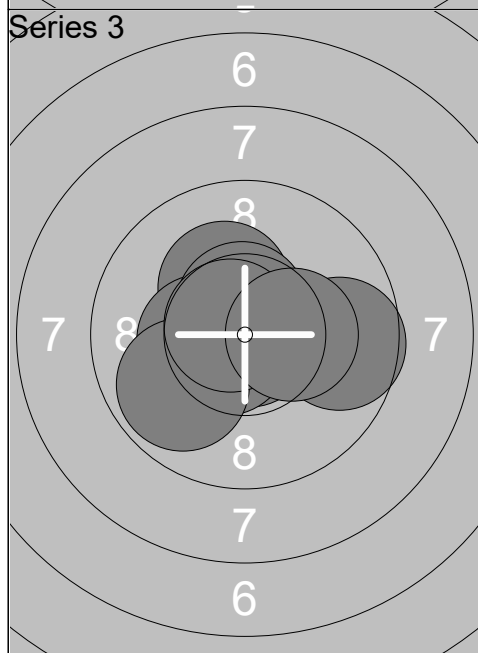
1:	10.4x ←
2:	10.4x →
3:	10.6x ↖
4:	9.9 →
5:	10.7x ↑
6:	10.8x →
7:	9.2 →
8:	9.2 →
9:	9.8 ←
10:	10.3x ↓
Series	101.3
	606.2



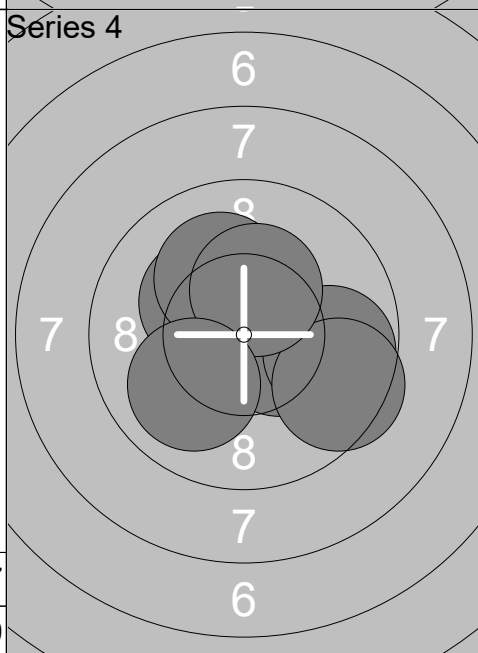
1:	9.8 ↘
2:	9.9 →
3:	9.7 ↗
4:	9.9 ↗
5:	10.5x ↗
6:	10.4x ↗
7:	10.4x →
8:	10.6x ↗
9:	10.6x ↓
10:	10.8x ↓
Series	102.6
	102.6



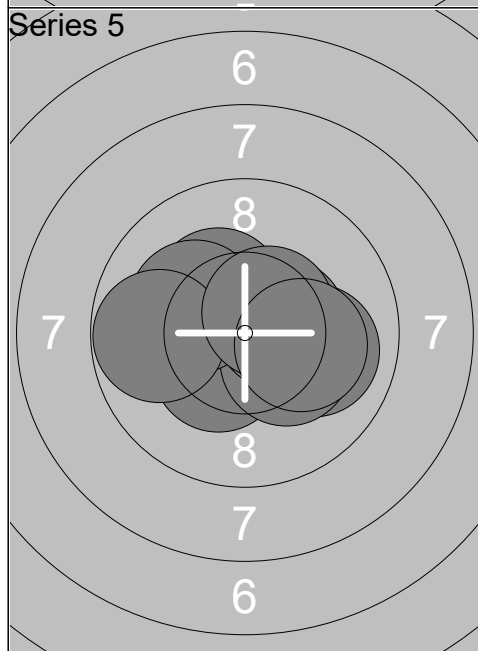
1:	10.5x ↖
2:	10.6x →
3:	9.9 ↖
4:	10.7x ↗
5:	10.7x ←
6:	10.0 ←
7:	10.1 ↑
8:	10.0 ←
9:	10.5x ↓
10:	10.6x ↖
Series	103.6
	206.2



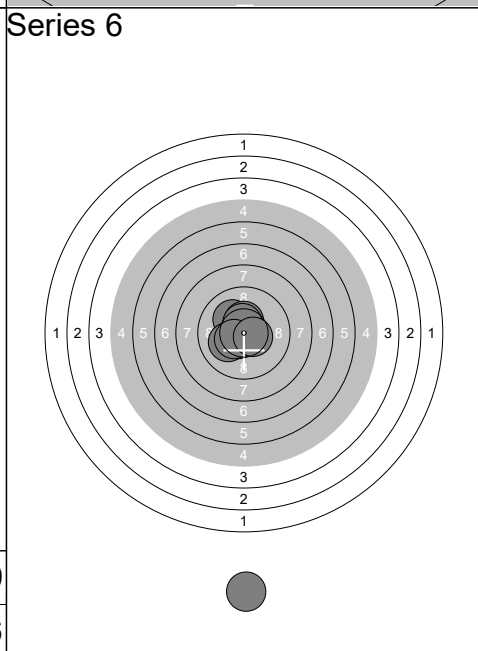
1:	10.4x ←
2:	10.2x ↗
3:	10.4x ←
4:	10.9x ↓
5:	10.6x ↑
6:	9.7 →
7:	10.6x ↖
8:	9.9 ↘
9:	10.7x ↖
10:	10.3x →
Series	103.7
	309.9



1:	10.8x →
2:	10.3x ↖
3:	10.7x ↗
4:	10.9x ↑
5:	10.4x →
6:	10.1 ↑
7:	9.8 →
8:	9.5 →
9:	10.3x ↑
10:	10.0 ↘
Series	102.8
	412.7



1:	10.0 →
2:	10.3x ↖
3:	10.7x ↖
4:	10.4x ↘
5:	10.3x →
6:	10.5x →
7:	10.2x ↖
8:	9.8 ←
9:	10.5x ↗
10:	10.2x →
Series	102.9
	515.6



1:	10.5x ←
2:	10.8x →
3:	10.6x ↘
4:	10.1 ↖
5:	10.1 ←
6:	10.4x ↑
7:	10.5x ↑
8:	10.4x ↖
9:	0.0 ↓
10:	10.5x →
Series	93.9
	609.5