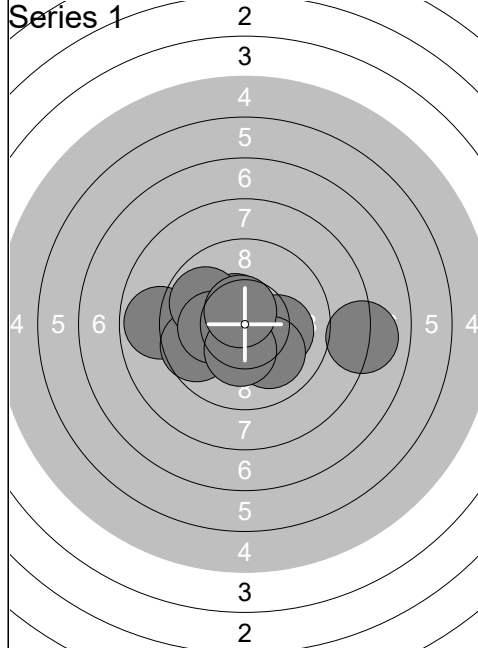
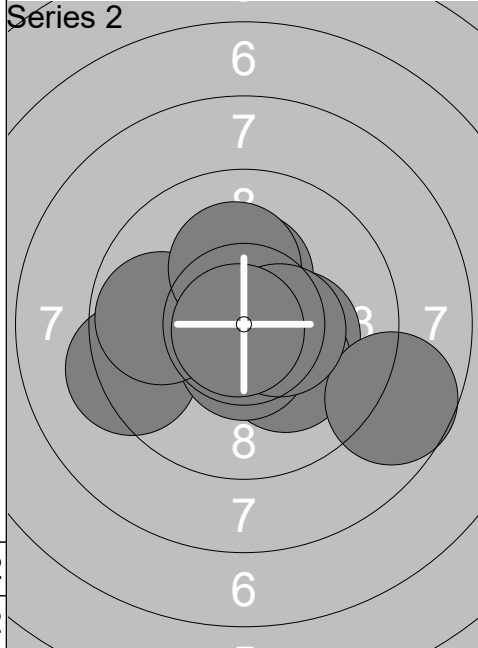


Relay	Lane	Roni Airo		
3	2	FIN	M	R
Qual Day 2		Denmark Open Air 2026		Denmark Open Air 2026
11.02.2026		Denmark Open Air 2026		Denmark Open Air 2026
Series 1 	1: 9.1 →	Series 2 	1: 10.8x ↙	
	2: 10.3x ↘		2: 10.9x ↗	
	3: 10.4x ↗		3: 10.5x ↙	
	4: 10.4x ↘		4: 10.4x ↖	
	5: 10.4x ↑		5: 10.4x ↖	
	6: 9.2 ↖		6: 10.7x ↘	
	7: 10.9x →		7: 10.7x ↓	
	8: 10.4x ↑		8: 9.2 →	
	9: 10.5x ↖		9: 10.6x ↑	
	10: 10.4x ↖		10: 10.4x ↗	
	Series 102.0		Series 104.6	
	102.0		206.6	
Series 3 	1: 10.2x ↓	Series 4 	1: 10.4x →	
	2: 10.6x →		2: 9.9 ↑	
	3: 10.6x ↑		3: 9.9 ↖	
	4: 10.6x ↘		4: 10.1 ↗	
	5: 10.6x ↓		5: 10.6x ↖	
	6: 10.2x ↖		6: 10.6x →	
	7: 10.4x →		7: 10.3x ↖	
	8: 10.9x ↖		8: 10.7x ↖	
	9: 10.0 ↖		9: 10.4x ↘	
	10: 10.5x ↖		10: 10.3x ↖	
	Series 104.6		Series 103.2	
	311.2		414.4	
Series 5 	1: 10.5x ↖	Series 6 	1: 10.7x ↘	
	2: 10.7x ↑		2: 10.3x ↖	
	3: 10.1 ↓		3: 10.5x ↗	
	4: 10.6x ↓		4: 10.2x ↑	
	5: 10.7x ↖		5: 10.3x ↑	
	6: 10.7x ↘		6: 10.0 ↘	
	7: 10.6x ↑		7: 9.9 ↑	
	8: 10.1 ↖		8: 10.3x →	
	9: 10.0 ↖		9: 10.9x ↖	
	10: 10.3x ↑		10: 9.6 ↑	
	Series 104.3		Series 102.7	
	518.7		621.4	

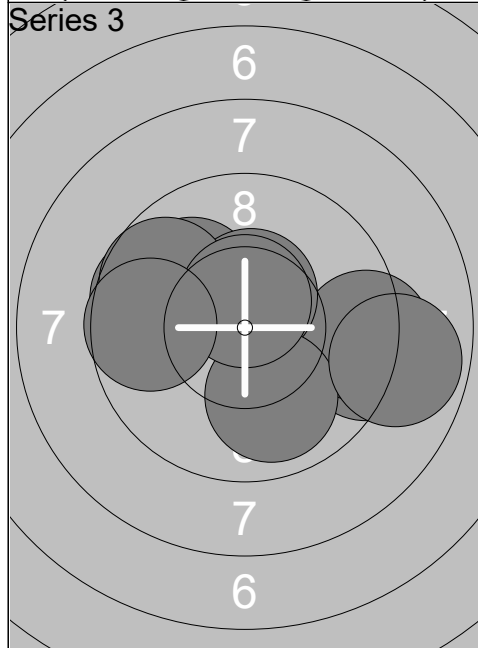
Relay	Lane	Emil Ala-Kulju		
3	3	SWE	M	R
Qual Day 2		Denmark Open Air 2026		Denmark Open Air 2026
11.02.2026				
Series 1 	1: 10.4x ↙	Series 2 	1: 10.8x ↖	
	2: 10.1 ↓		2: 9.0 ←	
	3: 9.4 ←		3: 9.5 →	
	4: 10.0 →		4: 8.4 ←	
	5: 9.6 ←		5: 8.4 →	
	6: 10.4x →		6: 10.8x ↗	
	7: 9.7 ↓		7: 9.9 ↓	
	8: 10.2x ↑		8: 9.0 ↖	
	9: 10.7x ↙		9: 10.6x →	
	10: 10.5x ↗		10: 9.6 →	
	Series 101.0		Series 96.0	
	101.0		197.0	
Series 3 	1: 9.7 ↑	Series 4 	1: 10.0 ↓	
	2: 10.4x ↙		2: 9.4 ↗	
	3: 10.5x ↗		3: 8.8 ↑	
	4: 10.8x ↖		4: 9.7 ↓	
	5: 9.9 ↑		5: 9.5 →	
	6: 10.1 ↑		6: 10.1 ↓	
	7: 10.7x ←		7: 9.2 ↑	
	8: 9.4 →		8: 9.3 ↖	
	9: 9.6 ↗		9: 9.8 ←	
	10: 9.8 ←		10: 10.2x →	
	Series 100.9		Series 96.0	
	297.9		393.9	
Series 5 	1: 9.2 ↗	Series 6 	1: 9.8 ↓	
	2: 9.2 ↗		2: 9.7 ↓	
	3: 10.3x →		3: 10.2x ↙	
	4: 10.8x ↘		4: 9.3 →	
	5: 8.9 ←		5: 10.0 ↖	
	6: 9.8 ↖		6: 10.3x ↗	
	7: 10.6x ↖		7: 9.4 ↖	
	8: 10.2x ↑		8: 9.5 ↖	
	9: 10.3x ↑		9: 8.7 ↖	
	10: 10.3x ↘		10: 10.5x →	
	Series 99.6		Series 97.4	
	493.5		590.9	



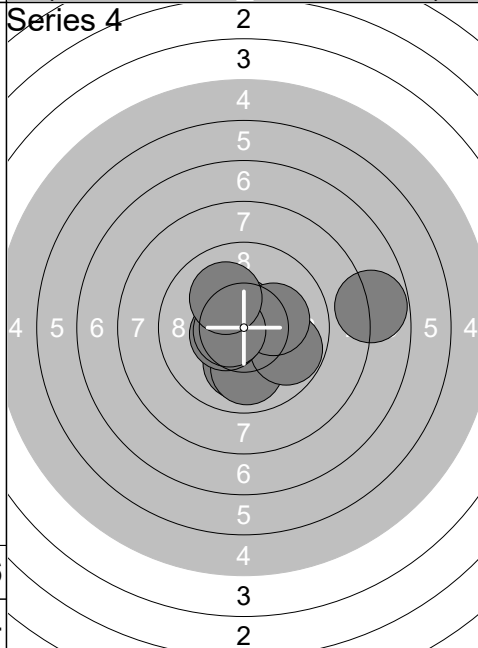
1:	8.9	←
2:	9.6	←
3:	10.1	→
4:	10.5x	↗
5:	9.9	↖
6:	10.0	↘
7:	10.2x	←
8:	10.3x	↘
9:	8.1	→
10:	10.6x	↗
Series	98.2	
	98.2	



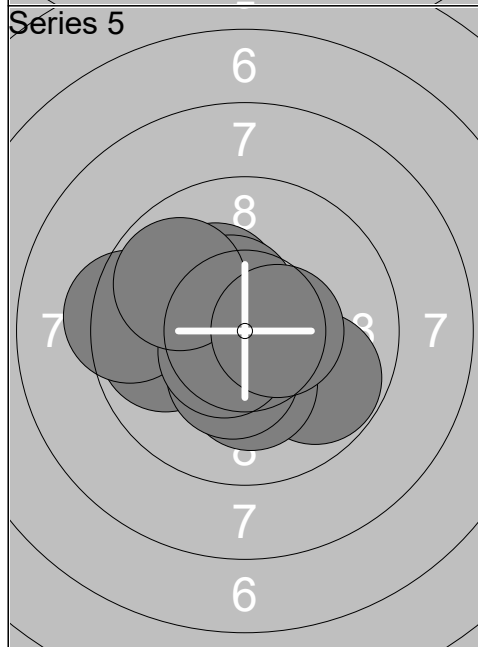
1:	10.3x	↑
2:	9.3	←
3:	10.3x	→
4:	10.2x	↘
5:	8.7	→
6:	10.5x	↘
7:	9.8	←
8:	10.2x	↑
9:	10.5x	→
10:	10.8x	↘
Series	100.6	
	198.8	



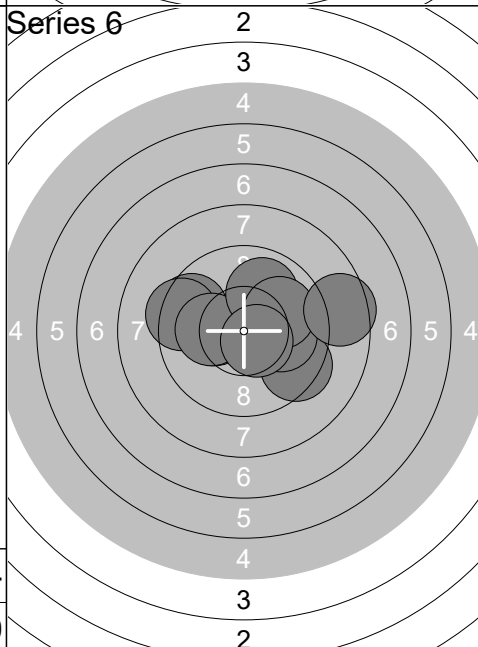
1:	10.0	↖
2:	9.3	→
3:	9.7	←
4:	9.3	→
5:	10.5x	↑
6:	9.9	↘
7:	8.9	→
8:	9.7	↖
9:	10.6x	↑
10:	9.7	←
Series	97.6	
	296.4	



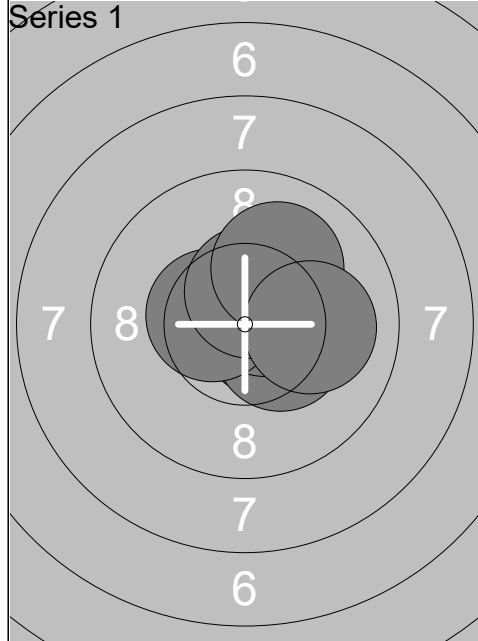
1:	10.1	↓
2:	10.5x	↘
3:	7.8	→
4:	10.0	↓
5:	9.8	→
6:	10.6x	↑
7:	10.2x	→
8:	10.5x	←
9:	10.6x	←
10:	10.1	↗
Series	100.2	
	396.6	



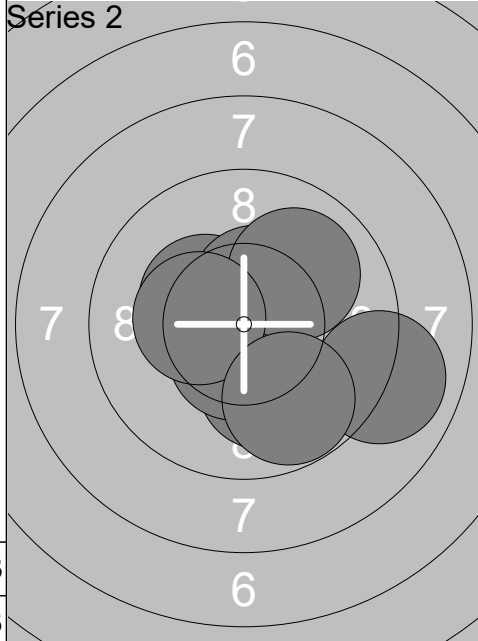
1:	9.8	↘
2:	10.3x	↗
3:	9.8	←
4:	10.2x	↘
5:	10.5x	↗
6:	10.4x	↘
7:	9.4	←
8:	10.6x	↘
9:	9.9	↖
10:	10.5x	→
Series	101.4	
	498.0	



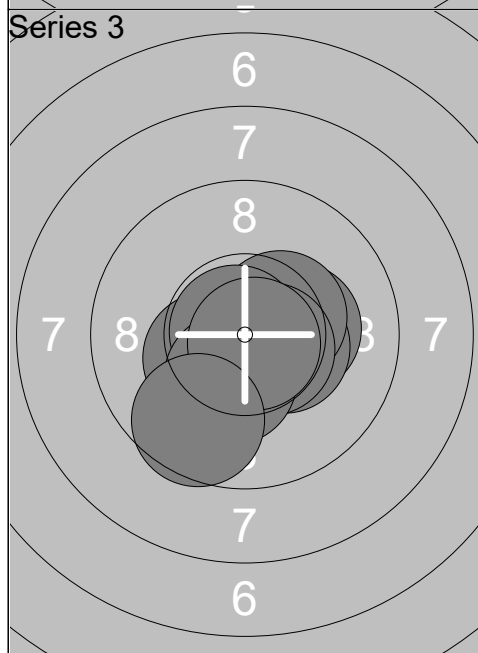
1:	10.2x	←
2:	9.6	←
3:	9.4	←
4:	9.4	↘
5:	10.2x	←
6:	9.9	↗
7:	10.0	→
8:	10.0	↗
9:	10.6x	↘
10:	8.5	→
Series	97.8	
	595.8	



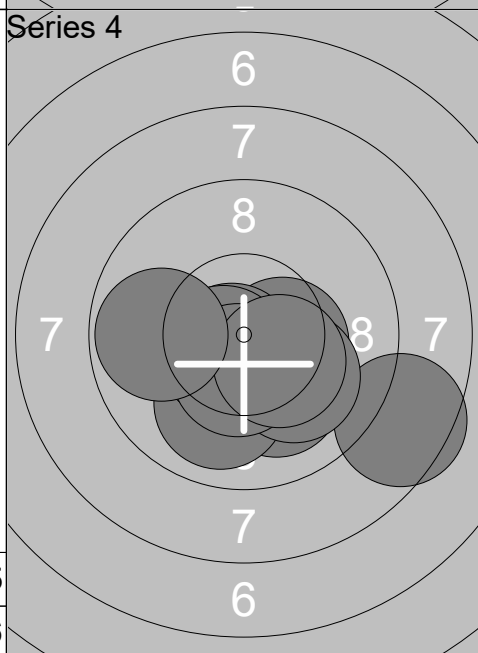
1:	10.4x ↗
2:	10.7x →
3:	10.6x ↗
4:	10.4x →
5:	10.4x ↘
6:	10.6x ↗
7:	10.5x ←
8:	10.5x ↑
9:	10.1 ↗
10:	10.1 →
Series	104.3
	104.3



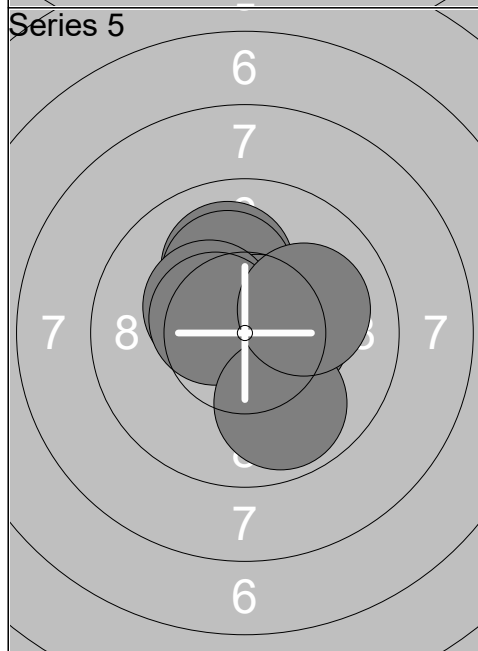
1:	10.3x ↖
2:	10.6x ↑
3:	9.0 →
4:	10.6x ←
5:	10.5x ↑
6:	10.1 ↓
7:	10.5x ↓
8:	10.0 ↗
9:	10.4x ←
10:	9.8 ↓
Series	101.8
	206.1



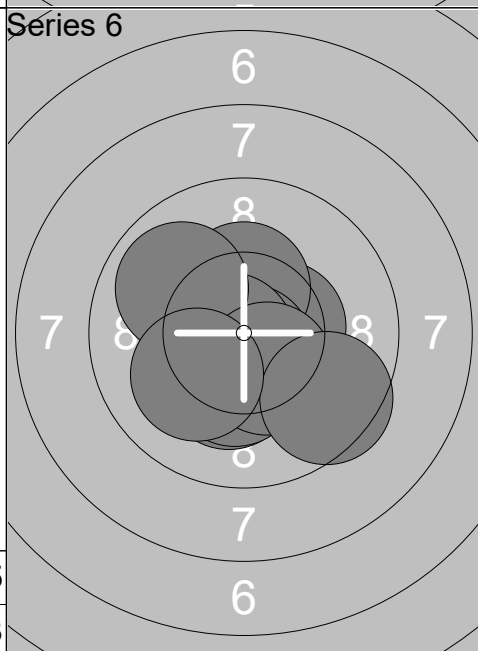
1:	10.3x →
2:	10.4x ↖
3:	10.4x →
4:	10.4x ↗
5:	10.8x ↓
6:	10.6x ↘
7:	10.8x ←
8:	10.3x ↓
9:	10.8x ↘
10:	9.7 ↓
Series	104.5
	310.6



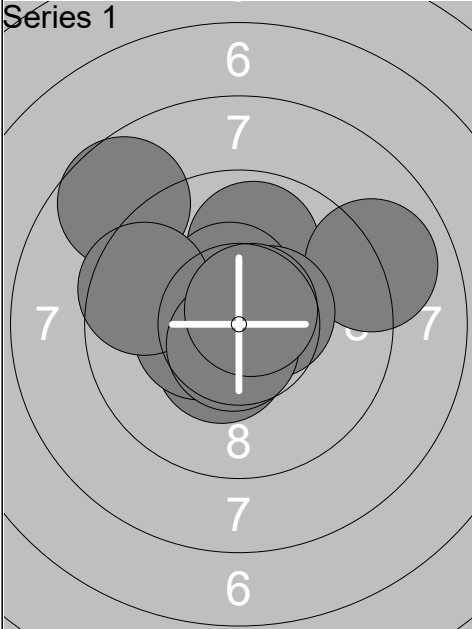
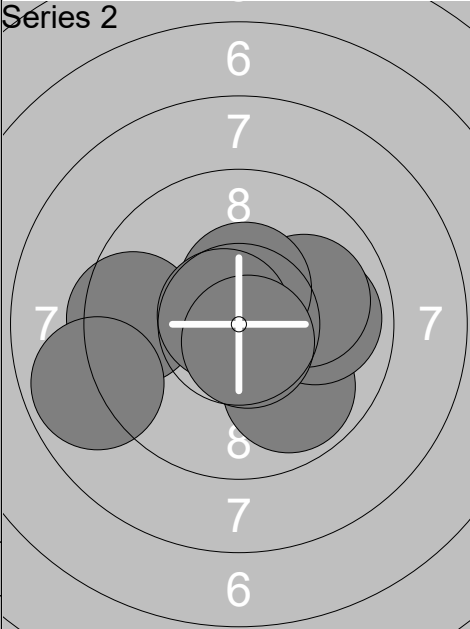
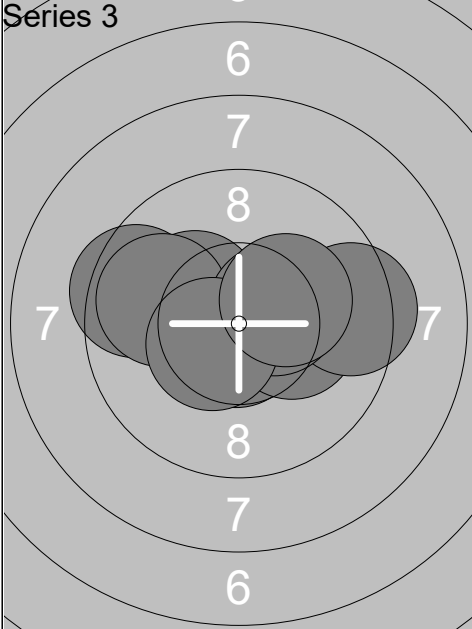
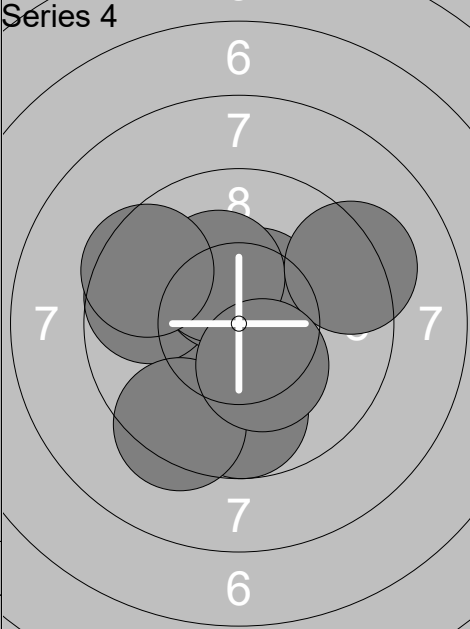
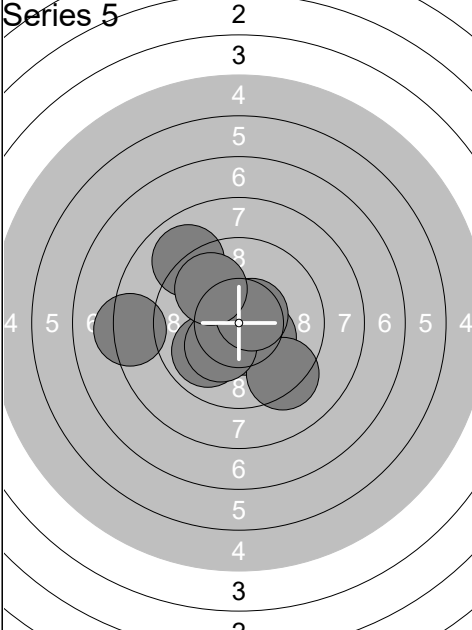
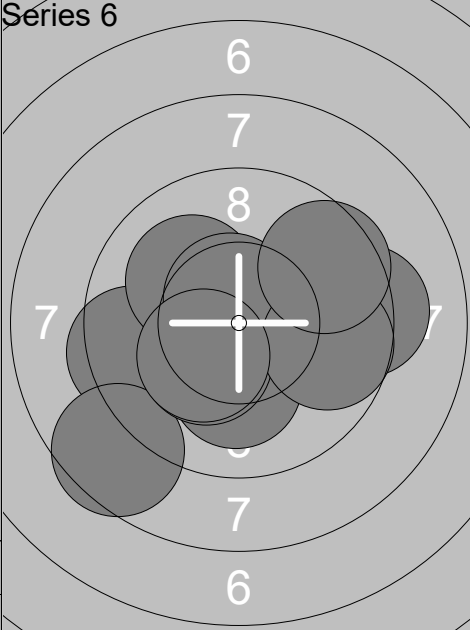
1:	10.4x →
2:	10.1 ↓
3:	8.5 →
4:	10.7x ↖
5:	10.0 ↓
6:	10.1 ↘
7:	10.6x ↖
8:	10.5x ↓
9:	10.4x ↘
10:	9.9 ←
Series	101.2
	411.8



1:	10.7x ↗
2:	10.0 ↑
3:	10.2x ↑
4:	10.4x →
5:	10.7x ↗
6:	10.6x →
7:	10.4x ↖
8:	10.5x ↖
9:	9.9 ↓
10:	10.1 →
Series	103.5
	515.3



1:	10.5x →
2:	10.2x ↓
3:	10.3x ↑
4:	10.7x ↓
5:	10.3x ↓
6:	10.7x ←
7:	9.9 ↖
8:	10.4x ↓
9:	9.5 ↘
10:	10.1 ↖
Series	102.6
	617.9

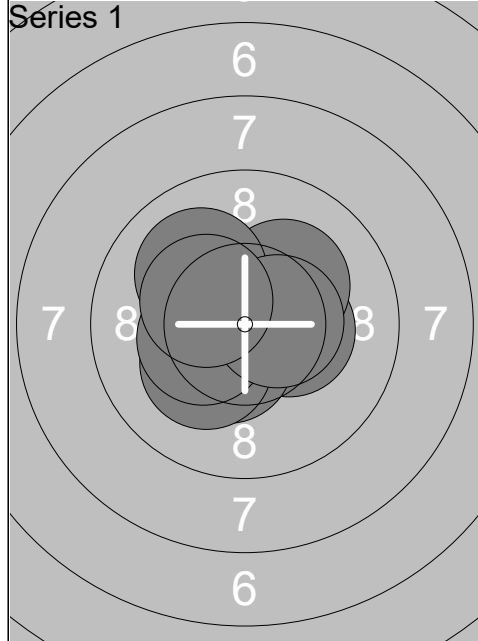
Relay	Lane	Keven Clausen		
3	7	DEN	M	R
Qual Day 2		Denmark Open Air 2026		Denmark Open Air 2026
11.02.2026				
Series 1 	1: 10.5x ↘	Series 2 	1: 9.5 ←	
	2: 10.4x ←		2: 9.9 ↘	
	3: 9.9 ↑		3: 10.7x →	
	4: 8.7 ↖		4: 10.1 →	
	5: 10.5x ↑		5: 8.9 ←	
	6: 9.6 ←		6: 9.9 →	
	7: 9.0 →		7: 10.0 →	
	8: 10.5x →		8: 10.5x ↑	
	9: 10.7x ↘		9: 10.7x ↖	
	10: 10.7x ↗		10: 10.7x ↘	
	Series 100.5		Series 100.9	
	100.5		201.4	
Series 3 	1: 10.2x ↖	Series 4 	1: 10.3x ↖	
	2: 10.7x ↘		2: 9.7 ←	
	3: 10.2x →		3: 10.4x ↑	
	4: 10.3x ↖		4: 9.7 ↓	
	5: 9.4 →		5: 10.5x ↗	
	6: 9.5 ←		6: 10.3x ↖	
	7: 9.9 ←		7: 9.3 →	
	8: 10.4x →		8: 9.4 ↘	
	9: 10.5x ↘		9: 10.3x ↘	
	10: 10.3x ↗		10: 9.5 ↖	
	Series 101.4		Series 99.4	
	302.8		402.2	
Series 5 	1: 10.7x ↖	Series 6 	1: 10.2x ↘	
	2: 10.5x ↘		2: 9.5 ←	
	3: 9.9 ↘		3: 9.3 →	
	4: 10.3x ↘		4: 8.6 ↘	
	5: 9.3 ↘		5: 10.1 ↖	
	6: 10.2x ↘		6: 10.3x ↘	
	7: 10.6x →		7: 10.6x ↑	
	8: 9.0 ↖		8: 9.7 →	
	9: 8.3 ←		9: 9.6 →	
	10: 9.9 ↖		10: 10.3x ↘	
	Series 98.7		Series 98.2	
	500.9		599.1	

Relay	Lane	Ross Donaldson		
3	8	GBR	M	R
Qual Day 2		Denmark Open Air 2026		Denmark Open Air 2026
11.02.2026				
Series 1 	1: 9.4 ↘	Series 2 	1: 9.4 →	
	2: 8.7 ←		2: 10.0 ↗	
	3: 9.5 ←		3: 9.3 ↘	
	4: 10.4x ↗		4: 10.3x ↖	
	5: 10.6x ↗		5: 8.2 ↘	
	6: 10.2x ↗		6: 10.0 ↗	
	7: 10.3x ←		7: 10.7x ←	
	8: 8.7 ←		8: 10.3x ↗	
	9: 10.0 ↗		9: 8.9 ↑	
	10: 9.0 ↗		10: 9.0 ↖	
	Series 96.8		Series 96.1	
	96.8		192.9	
Series 3 	1: 9.6 ↑	Series 4 	1: 10.3x ←	
	2: 10.6x ↗		2: 9.2 ↖	
	3: 7.1 ↖		3: 8.8 →	
	4: 9.9 ↗		4: 8.7 ←	
	5: 10.7x ↘		5: 9.1 ↑	
	6: 10.2x →		6: 9.6 ↖	
	7: 8.1 ↖		7: 9.1 ↗	
	8: 9.9 ↑		8: 9.8 →	
	9: 10.4x →		9: 10.3x ↗	
	10: 10.3x ↖		10: 9.5 ↘	
	Series 96.8		Series 94.4	
	289.7		384.1	
Series 5 	1: 9.2 ↖	Series 6 	1: 9.6 ↖	
	2: 9.7 ↑		2: 10.0 ↑	
	3: 9.1 ↘		3: 10.1 ↖	
	4: 10.0 ←		4: 9.2 ↖	
	5: 9.3 ↖		5: 9.1 ←	
	6: 9.9 →		6: 10.8x ↘	
	7: 10.1 ↑		7: 9.6 ↗	
	8: 9.7 ←		8: 9.7 ↗	
	9: 8.3 ↖		9: 9.2 ↖	
	10: 9.6 ←		10: 9.8 ↘	
	Series 94.9		Series 97.1	
	479.0		576.1	

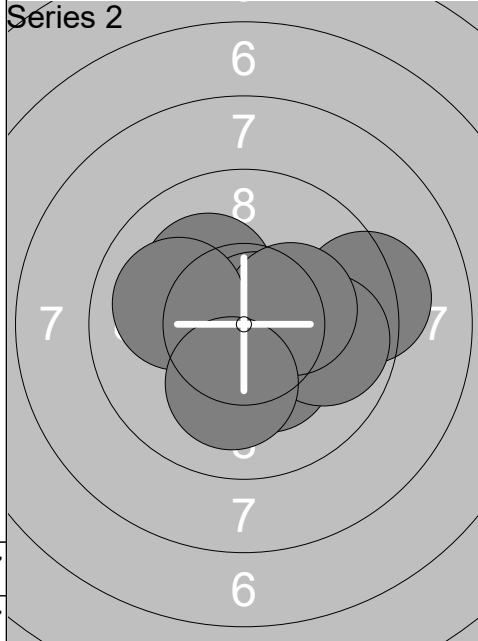
Relay 3	Lane 9	Björn Friman		
-------------------	------------------	---------------------	--	--

Qual Day 2	FIN	M	R
------------	-----	---	---

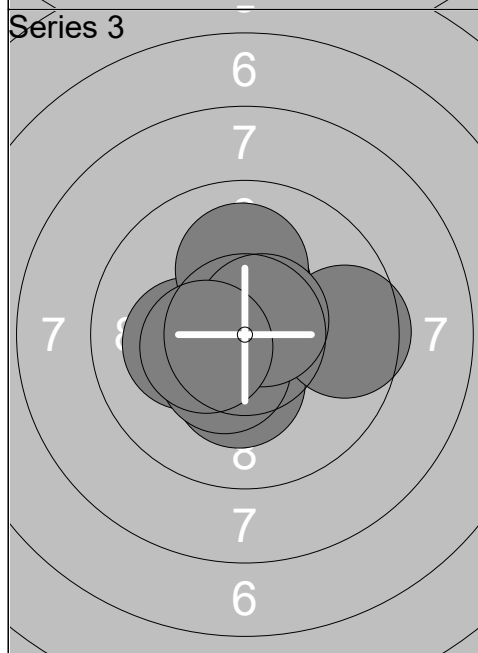
11.02.2026	Denmark Open Air 2026	Denmark Open Air 2026
------------	-----------------------	-----------------------



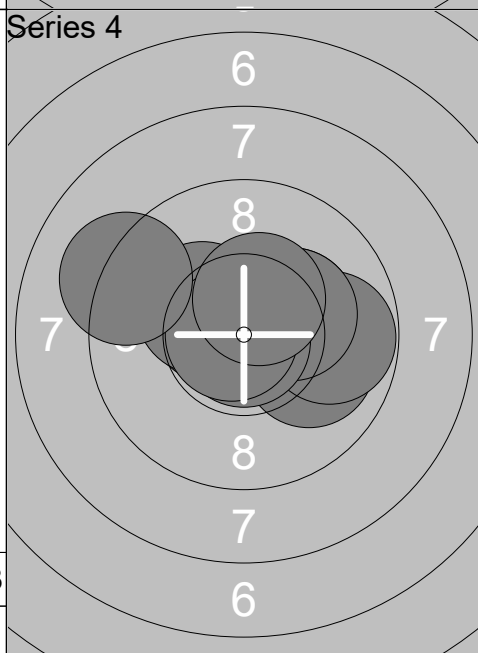
1:	10.7x ↓
2:	10.3x →
3:	10.5x ↓
4:	10.2x ↗
5:	10.5x ↖
6:	10.2x ↓
7:	10.4x ←
8:	10.1 ↖
9:	10.5x →
10:	10.3x ↖
Series	103.7
	103.7



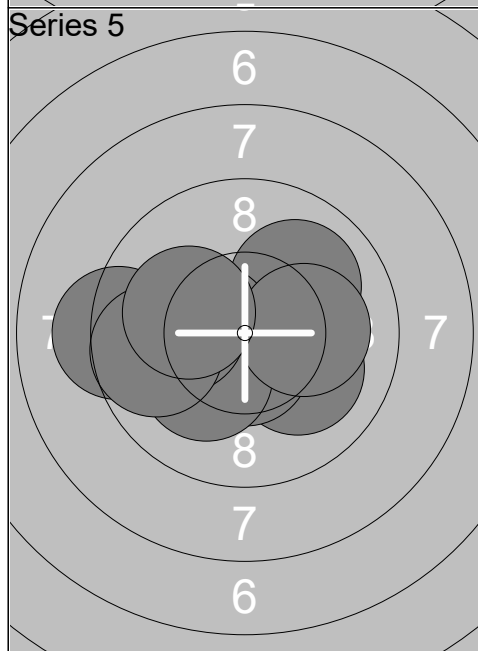
1:	10.6x ↖
2:	10.7x ↖
3:	10.2x ↖
4:	10.3x ↓
5:	10.8x ↗
6:	9.3 →
7:	9.8 →
8:	10.3x →
9:	10.0 ←
10:	10.1 ↓
Series	102.1
	205.8



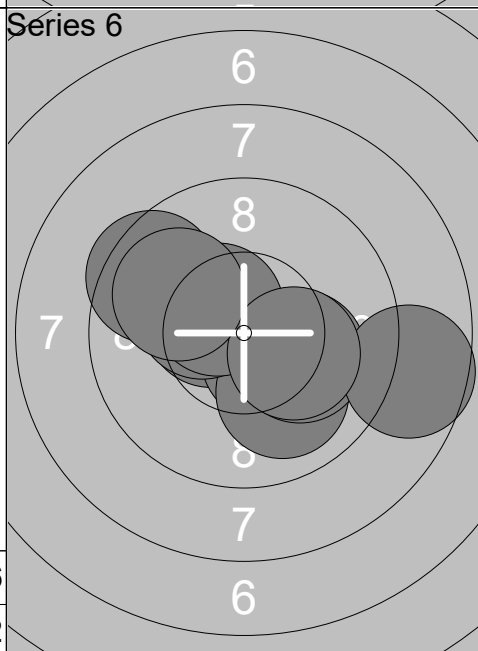
1:	10.7x →
2:	10.3x ↑
3:	10.7x ↓
4:	10.3x ↓
5:	10.2x ←
6:	10.1 ↑
7:	9.6 →
8:	10.4x ↓
9:	10.6x ↗
10:	10.4x ←
Series	103.3
	309.1



1:	10.5x ↖
2:	10.3x ↖
3:	10.0 →
4:	10.3x →
5:	9.8 →
6:	10.3x →
7:	10.9x ↓
8:	10.8x ←
9:	10.4x ↑
10:	9.2 ↖
Series	102.5
	411.6



1:	10.0 ↗
2:	10.1 →
3:	10.6x ↓
4:	10.5x ←
5:	10.2x ↓
6:	10.1 ←
7:	9.2 ←
8:	10.1 →
9:	9.7 ←
10:	10.1 ←
Series	100.6
	512.2



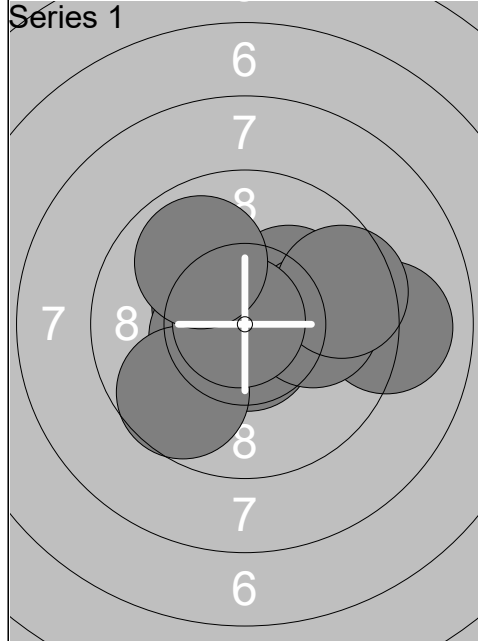
1:	10.5x ↖
2:	10.5x ↓
3:	10.0 ↓
4:	10.1 →
5:	10.3x ↖
6:	10.5x ↗
7:	8.6 →
8:	10.2x →
9:	9.5 ↖
10:	9.9 ↖
Series	100.1
	612.3

Relay	Lane	Cristian Friman			
3	10	FIN		M	R
Qual Day 2		Denmark Open Air 2026		Denmark Open Air 2026	
11.02.2026		Denmark Open Air 2026		Denmark Open Air 2026	
Series 1 	1: 10.1 ↘	Series 2 	1: 10.5x →		
	2: 10.3x ↙		2: 10.5x ↗		
	3: 10.6x ↗		3: 10.7x ←		
	4: 9.1 ↑		4: 10.8x ↙		
	5: 10.2x ←		5: 10.0 ←		
	6: 10.1 ↑		6: 10.4x →		
	7: 10.5x ↗		7: 10.4x ↗		
	8: 10.0 ↑		8: 10.4x ↑		
	9: 10.0 ↗		9: 10.6x →		
	10: 10.1 ↑		10: 10.2x ↗		
	Series 101.0		Series 104.5		
	101.0		205.5		
Series 3 	1: 9.8 ←	Series 4 	1: 9.6 ↗		
	2: 10.8x ↓		2: 10.6x ↘		
	3: 9.9 ↗		3: 10.2x ↑		
	4: 10.0 ↗		4: 9.4 ↖		
	5: 10.1 ←		5: 10.4x ↑		
	6: 9.9 →		6: 10.4x ↗		
	7: 10.1 ↑		7: 10.5x ↑		
	8: 10.6x ↓		8: 10.2x ↙		
	9: 10.0 ↓		9: 10.3x ↙		
	10: 9.9 ↑		10: 10.7x →		
	Series 101.1		Series 102.3		
	306.6		408.9		
Series 5 	1: 10.3x ↗	Series 6 	1: 10.4x ↙		
	2: 10.6x →		2: 10.2x ↖		
	3: 10.3x ←		3: 9.9 ↖		
	4: 10.1 ←		4: 10.4x ↗		
	5: 10.6x →		5: 9.8 ↗		
	6: 10.8x ↑		6: 9.9 →		
	7: 10.8x ↙		7: 10.5x ↘		
	8: 9.9 →		8: 10.1 ↗		
	9: 10.3x ↗		9: 10.2x ←		
	10: 10.2x ←		10: 10.5x ↙		
	Series 103.9		Series 101.9		
	512.8		614.7		

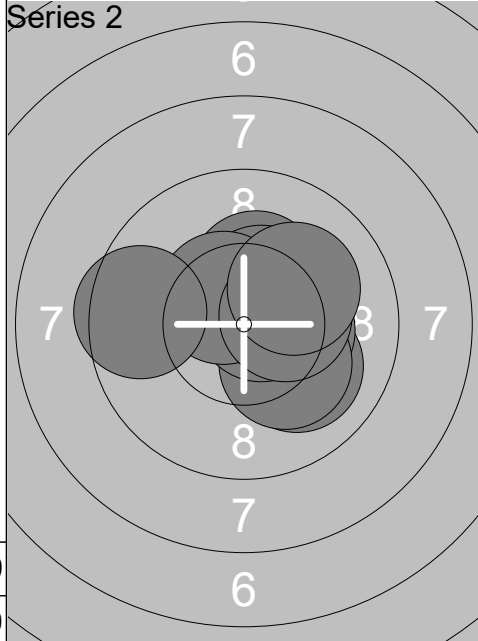
Relay	Lane	Jens Frimann		
3	11	DEN	M	R
Qual Day 2		Denmark Open Air 2026		Denmark Open Air 2026
11.02.2026				
Series 1 	1: 10.1 →	Series 2 	1: 9.3 →	
	2: 10.4x →		2: 10.9x ↑	
	3: 10.5x →		3: 9.7 ↓	
4: 9.8 →	4: 10.4x ↗	5: 10.5x ↑	4: 10.4x ↗	
5: 9.2 →	5: 9.9 →	6: 9.9 →	5: 10.5x ↑	
6: 9.8 ↓	6: 10.3x ↓	7: 10.3x ↓	6: 9.9 →	
7: 10.7x ↑	7: 10.0 →	8: 10.0 →	7: 10.3x ↓	
8: 9.2 →	8: 10.2x ↓	9: 10.2x ↓	8: 10.0 →	
9: 9.5 →	9: 10.3x ↓	10: 10.3x ↓	9: 10.2x ↓	
10: 10.9x ↑	10: 10.3x ↓		10: 10.3x ↓	
Series 100.1	Series 101.5			
100.1	201.6			
Series 3 	1: 10.5x ↓	Series 4 	1: 10.2x ↓	
	2: 10.5x ↙		2: 10.4x ↑	
	3: 9.7 ↓		3: 10.4x →	
4: 10.4x ↗	4: 10.6x ↗	5: 10.5x ↙	4: 10.4x →	
5: 10.5x ↗	5: 10.5x ↙	6: 10.5x ↗	5: 10.5x ↙	
6: 10.6x ↓	6: 10.5x ↗	7: 9.6 ↓	6: 10.5x ↗	
7: 10.9x ↗	7: 9.6 ↓	8: 10.2x ↙	7: 9.6 ↓	
8: 10.6x ↓	8: 10.2x ↙	9: 10.2x ↙	8: 10.2x ↙	
9: 10.5x ↓	9: 10.2x ↙	10: 10.6x ↘	9: 10.2x ↙	
10: 10.1 ↓	10: 10.6x ↘		10: 10.6x ↘	
Series 104.3	Series 103.2			
305.9	409.1			
Series 5 	1: 10.3x →	Series 6 	1: 10.2x →	
	2: 9.8 →		2: 10.0 ↓	
	3: 10.8x ↗		3: 10.0 ↓	
4: 10.1 ↙	4: 10.9x ↑	5: 10.8x ↓	4: 10.9x ↑	
5: 9.7 ↓	5: 10.8x ↓	6: 10.1 →	5: 10.8x ↓	
6: 10.7x ↗	6: 10.1 →	7: 10.5x ↙	6: 10.1 →	
7: 9.8 ↙	7: 10.5x ↙	8: 9.6 ←	7: 10.5x ↙	
8: 10.7x ↓	8: 9.6 ←	9: 10.3x ↓	8: 9.6 ←	
9: 10.5x ↙	9: 10.3x ↓	10: 9.9 ←	9: 10.3x ↓	
10: 10.5x ↙	10: 9.9 ←		10: 9.9 ←	
Series 102.9	Series 102.3			
512.0	614.3			

Relay	Lane	Isak Gurrik		
3	12	NOR	M	R
Qual Day 2		Denmark Open Air 2026		Denmark Open Air 2026
11.02.2026				
Series 1 	1: 10.4x ↗	Series 2 	1: 10.7x ↗	
	2: 10.6x ↑		2: 10.4x ↘	
	3: 10.5x →		3: 10.4x ↖	
	4: 10.6x ↑		4: 10.8x ←	
	5: 10.3x ↙		5: 10.1 ↑	
	6: 10.4x ←		6: 10.4x ↖	
	7: 10.0 ↓		7: 10.6x ↖	
	8: 10.8x ←		8: 10.1 ↗	
	9: 9.7 ←		9: 10.7x →	
	10: 10.7x ↗		10: 10.2x ↗	
	Series 104.0	Series 104.4		
	104.0		208.4	
Series 3 	1: 10.7x ↓	Series 4 	1: 10.5x ↓	
	2: 10.6x ↖		2: 10.4x ←	
	3: 10.7x ←		3: 10.4x →	
	4: 9.5 ↘		4: 10.7x ↘	
	5: 9.9 →		5: 10.4x ↘	
	6: 10.9x →		6: 10.7x ↗	
	7: 10.5x ↘		7: 10.5x ←	
	8: 10.8x ↓		8: 10.2x ←	
	9: 10.4x ↙		9: 10.8x ↖	
	10: 10.6x ↖		10: 10.0 ↑	
	Series 104.6	Series 104.6		
	313.0		417.6	
Series 5 	1: 10.7x ←	Series 6 	1: 10.0 ↗	
	2: 10.3x ↘		2: 10.4x →	
	3: 10.8x ↗		3: 10.5x ↘	
	4: 10.7x ↗		4: 10.4x ↙	
	5: 10.3x →		5: 10.8x ↖	
	6: 10.8x ↑		6: 10.3x ←	
	7: 10.5x ↘		7: 10.2x ↗	
	8: 10.4x ↘		8: 10.0 ↘	
	9: 10.4x ↖		9: 10.6x ↑	
	10: 10.2x ←		10: 10.8x ↓	
	Series 105.1	Series 104.0		
	522.7		626.7	

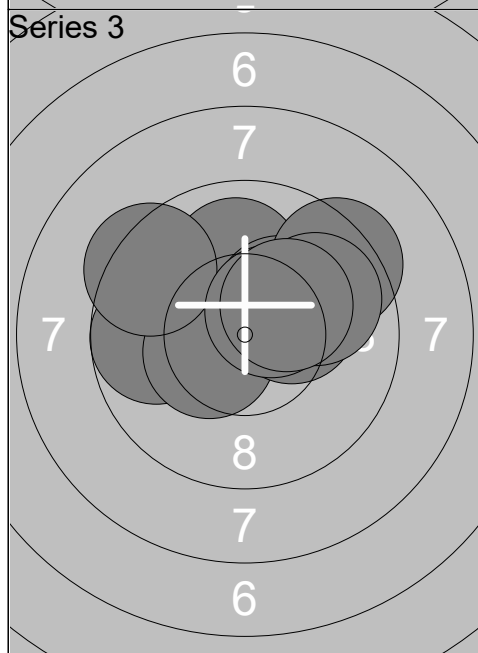
Relay	Lane	Paul Kronemann		
3	14	GER	M	R
Qual Day 2		Denmark Open Air 2026		Denmark Open Air 2026
11.02.2026				
Series 1 	1: 10.5x ↘	Series 2 	1: 9.6 ↗	
	2: 10.7x ←		2: 9.7 ←	
	3: 10.2x ↙		3: 10.5x ↙	
	4: 10.2x ↗		4: 10.0 ↓	
	5: 9.8 ↗		5: 10.3x ↗	
	6: 9.7 →		6: 9.9 ↗	
	7: 9.8 ↗		7: 10.5x ↑	
	8: 9.6 →		8: 9.4 ↑	
	9: 10.4x ↓		9: 9.9 ↗	
	10: 10.4x ↑		10: 10.3x ↙	
	Series 101.3	Series 100.1		
	101.3	201.4		
Series 3 	1: 10.7x ↑	Series 4 	1: 10.1 ↑	
	2: 10.1 ↓		2: 10.8x →	
	3: 9.3 →		3: 10.4x →	
	4: 9.2 ↓		4: 10.4x ↙	
	5: 10.0 ↗		5: 9.7 ↓	
	6: 10.8x →		6: 9.8 ↓	
	7: 10.5x ↓		7: 10.2x →	
	8: 10.2x →		8: 10.1 ←	
	9: 9.6 ↗		9: 10.2x ↓	
	10: 10.4x ↑		10: 10.3x ↗	
	Series 100.8	Series 102.0		
	302.2	404.2		
Series 5 	1: 9.3 ↑	Series 6 	1: 9.8 ↗	
	2: 10.5x ↙		2: 10.2x →	
	3: 10.2x ↘		3: 10.4x ↓	
	4: 10.3x ↗		4: 10.4x ↙	
	5: 10.6x ↑		5: 9.6 ↗	
	6: 10.1 ↓		6: 10.3x ↑	
	7: 10.1 ↗		7: 10.1 →	
	8: 10.1 ↓		8: 10.3x →	
	9: 10.8x ↗		9: 10.3x ↗	
	10: 10.5x ↙		10: 9.9 ↙	
	Series 102.5	Series 101.3		
	506.7	608.0		



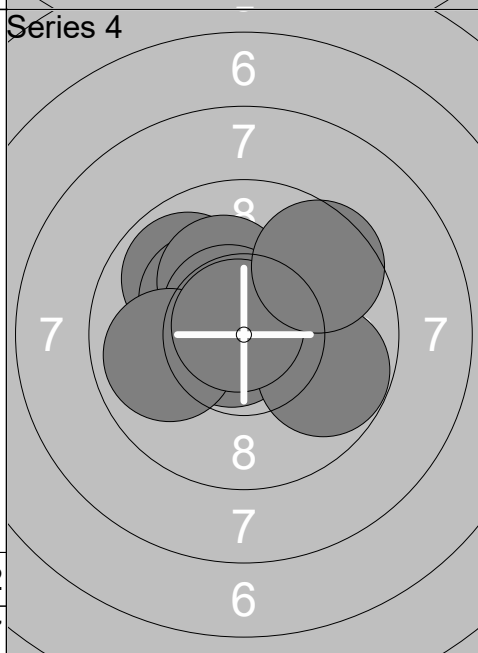
1:	10.5x ↖
2:	10.2x ↗
3:	10.5x ↙
4:	9.0 →
5:	10.7x ↓
6:	9.7 ↙
7:	10.0 →
8:	9.6 →
9:	10.8x ↖
10:	9.9 ↖
Series	100.9
	100.9



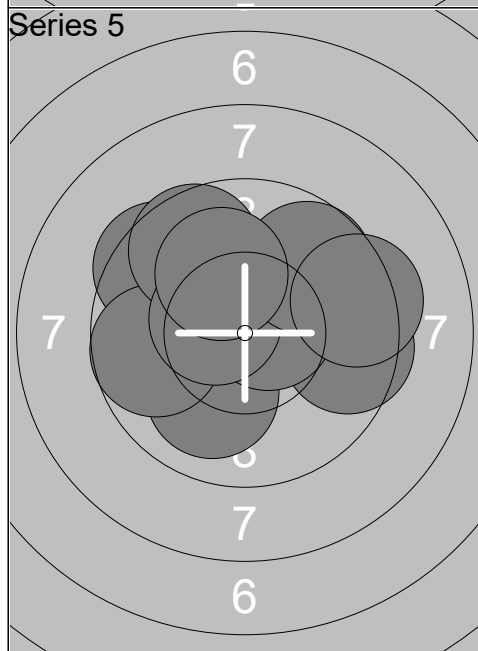
1:	10.1 ↘
2:	10.3x →
3:	10.2x ↘
4:	10.7x ↗
5:	10.3x ↑
6:	10.5x ↗
7:	10.5x ↖
8:	9.5 ←
9:	10.4x →
10:	10.1 ↗
Series	102.6
	203.5



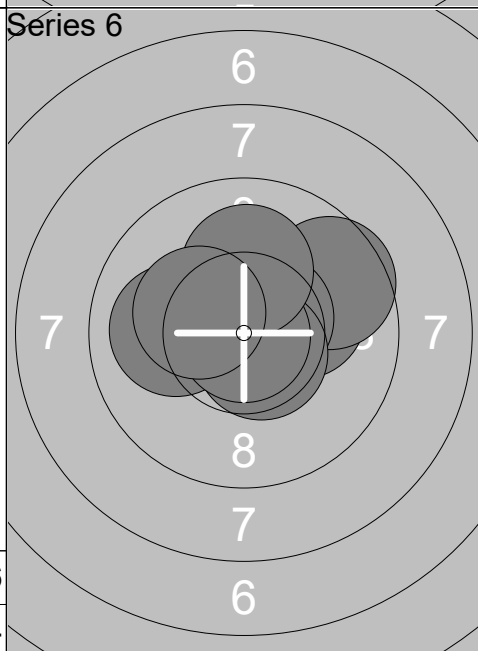
1:	9.7 ←
2:	10.0 ↑
3:	10.3x ↗
4:	10.4x ↙
5:	9.4 ↖
6:	10.3x →
7:	9.4 ↗
8:	9.9 ↗
9:	10.5x ↗
10:	10.3x ↗
Series	100.2
	303.7



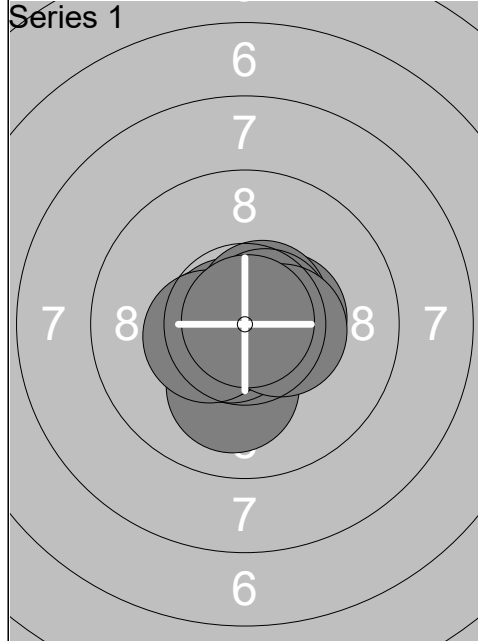
1:	9.9 ↖
2:	10.2x ↖
3:	10.8x ↙
4:	10.3x ↗
5:	10.2x ↑
6:	10.6x ↖
7:	9.9 ←
8:	9.8 →
9:	10.8x ↖
10:	9.6 ↗
Series	102.1
	405.8



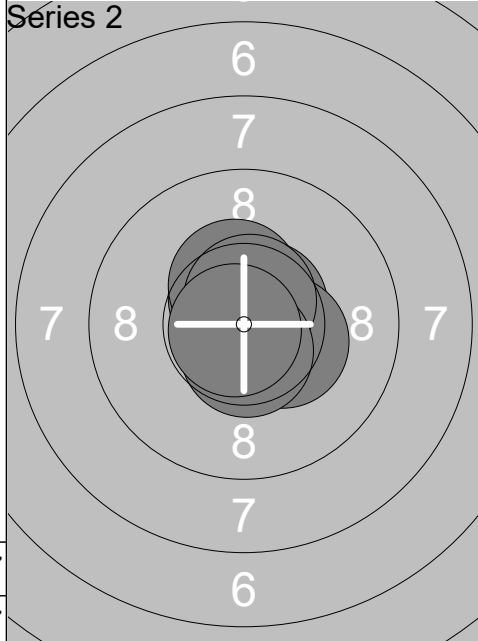
1:	10.0 ↓
2:	9.5 ↖
3:	9.7 ←
4:	9.6 ↑
5:	9.5 →
6:	10.6x →
7:	10.5x ↙
8:	9.7 ↗
9:	9.4 →
10:	10.1 ↖
Series	98.6
	504.4



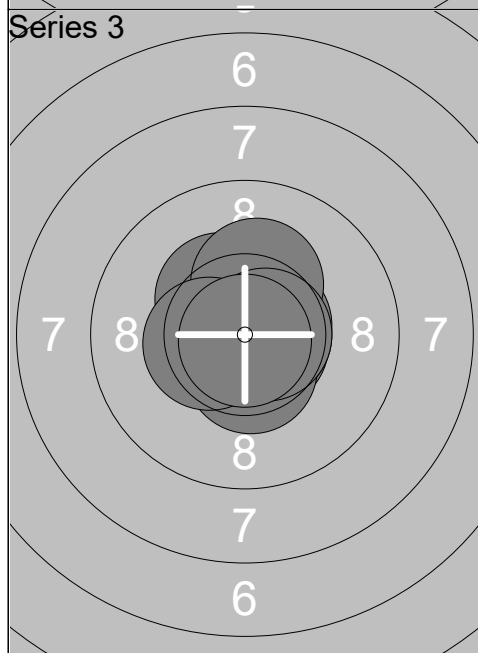
1:	10.4x ↗
2:	10.9x ↗
3:	10.1 →
4:	9.6 ↗
5:	10.6x ↗
6:	10.0 ←
7:	10.6x ↘
8:	10.9x ↓
9:	10.1 ↑
10:	10.3x ↙
Series	103.5
	607.9



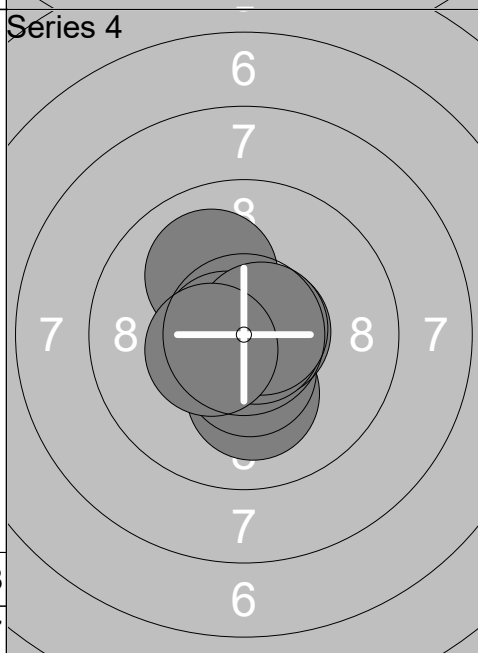
1:	10.5x →
2:	10.1 ↓
3:	10.7x ↙
4:	10.5x ←
5:	10.8x ←
6:	10.6x ↗
7:	10.7x →
8:	10.4x ←
9:	10.5x →
10:	10.9x ↗
Series	105.7
	105.7



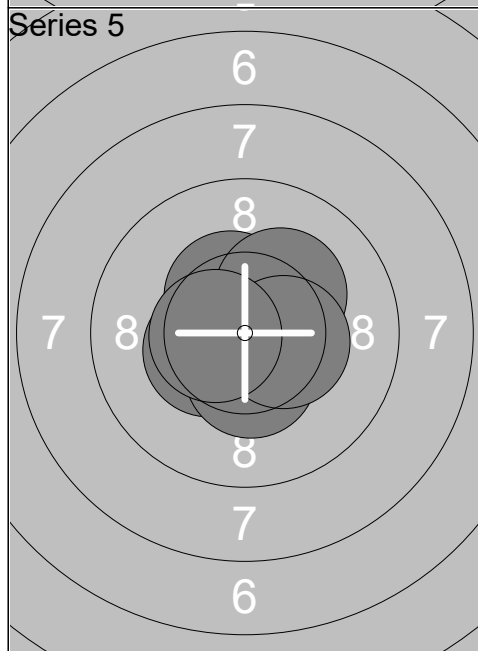
1:	10.6x →
2:	10.6x ↑
3:	10.7x →
4:	10.4x ↑
5:	10.6x ↗
6:	10.9x ↗
7:	10.4x →
8:	10.6x ↑
9:	10.6x ↓
10:	10.8x ↙
Series	106.2
	211.9



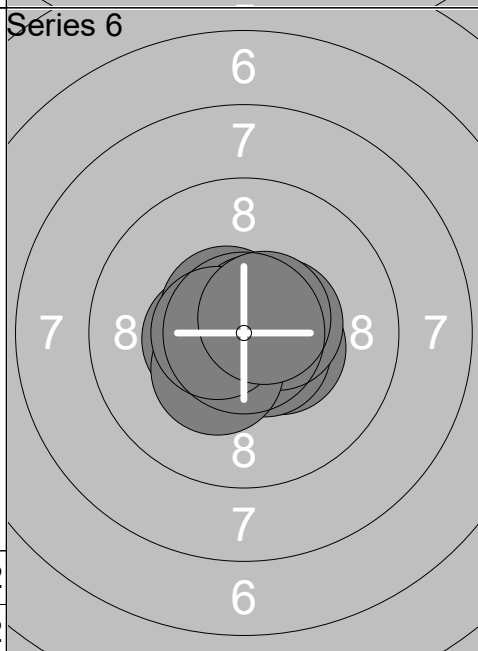
1:	10.7x →
2:	10.6x ↑
3:	10.4x ↗
4:	10.7x →
5:	10.5x ↓
6:	10.6x →
7:	10.2x ↑
8:	10.7x →
9:	10.5x ←
10:	10.9x ↓
Series	105.8
	317.7



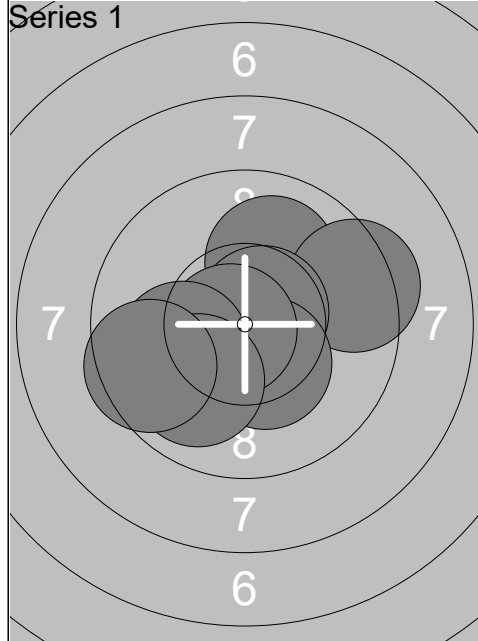
1:	10.6x ←
2:	10.0 ↖
3:	10.7x ↓
4:	10.1 ↓
5:	10.5x ↓
6:	10.7x →
7:	10.8x →
8:	10.7x ←
9:	10.7x →
10:	10.5x ↙
Series	105.3
	423.0



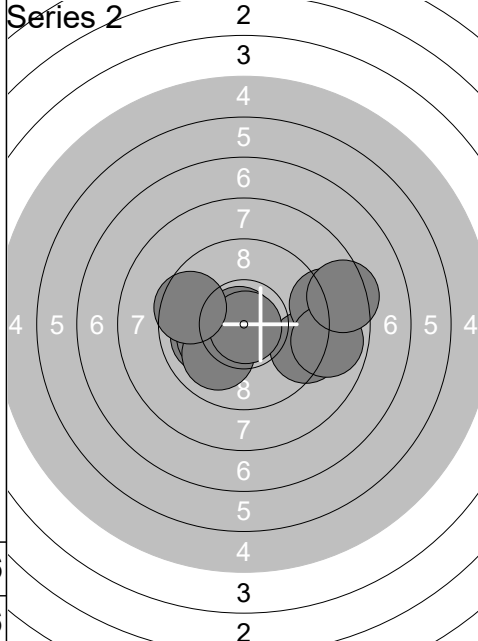
1:	10.7x ↘
2:	10.4x ↙
3:	10.7x ↘
4:	10.4x ↑
5:	10.6x ↓
6:	10.4x ↓
7:	10.8x →
8:	10.2x ↗
9:	10.4x →
10:	10.6x ←
Series	105.2
	528.2



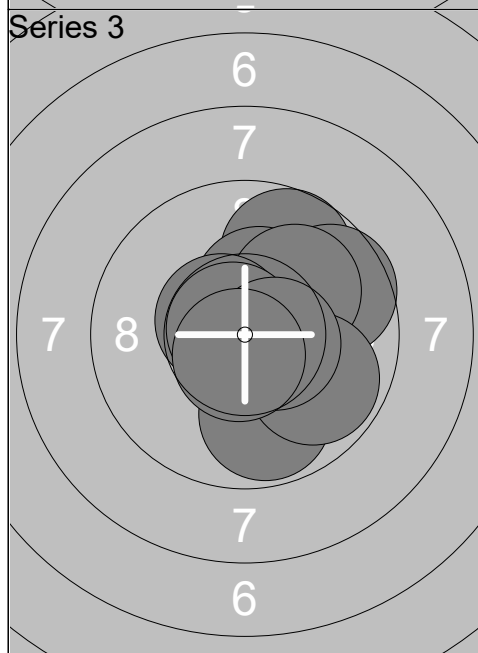
1:	10.5x ←
2:	10.7x ←
3:	10.4x →
4:	10.6x ↖
5:	10.6x ↘
6:	10.7x ↗
7:	10.5x →
8:	10.3x ↙
9:	10.6x ←
10:	10.6x ↗
Series	105.5
	633.7



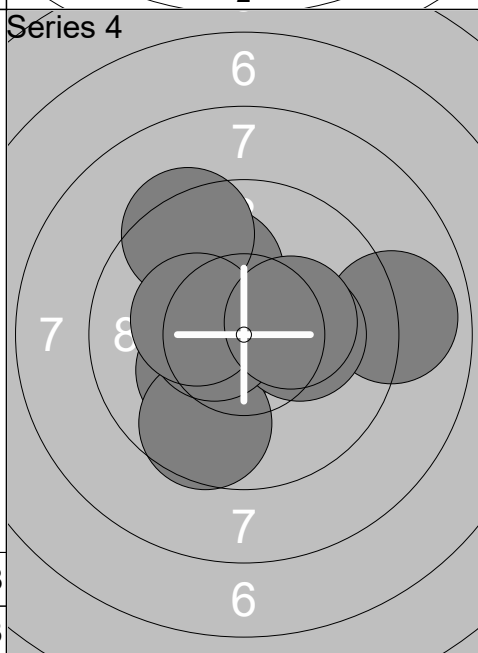
1:	10.2x ↗
2:	10.0 ↗
3:	10.6x ↓
4:	9.4 →
5:	10.7x ↗
6:	10.4x ↓
7:	10.7x ←
8:	10.0 ←
9:	10.0 ↓
10:	9.6 ←
Series	101.6
	101.6



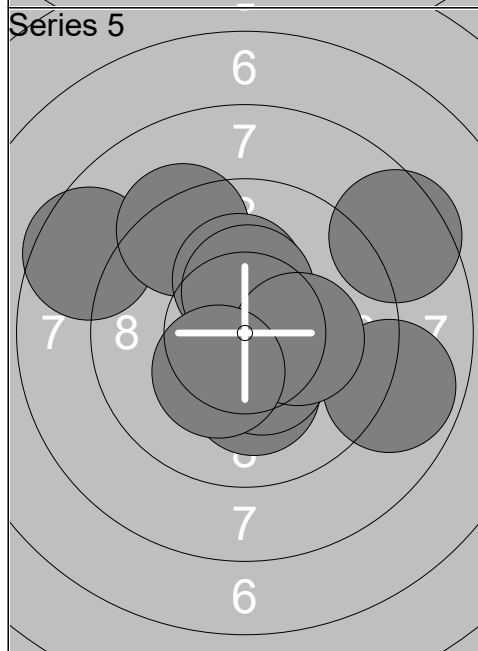
1:	10.0 ←
2:	10.8x ←
3:	10.1 ←
4:	10.0 ↓
5:	9.3 →
6:	8.9 →
7:	10.9x ↓
8:	8.9 →
9:	9.6 ←
10:	8.4 →
Series	96.9
	198.5



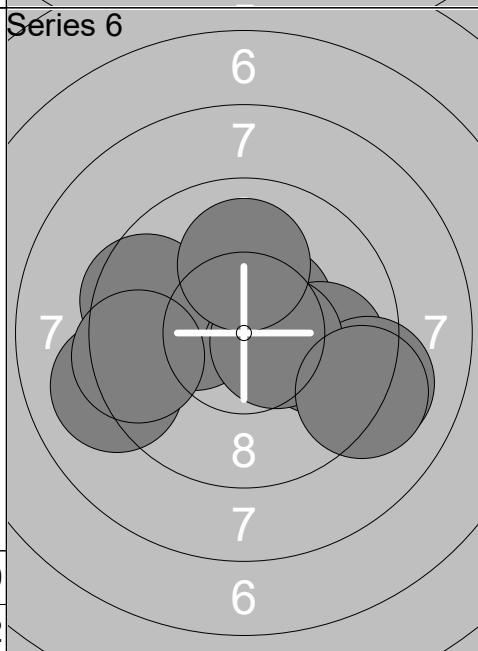
1:	9.7 ↗
2:	9.8 ↓
3:	9.6 →
4:	10.3x ↗
5:	10.0 ↗
6:	10.6x ←
7:	10.8x ←
8:	9.9 ↓
9:	10.5x →
10:	10.6x ↓
Series	101.8
	300.3



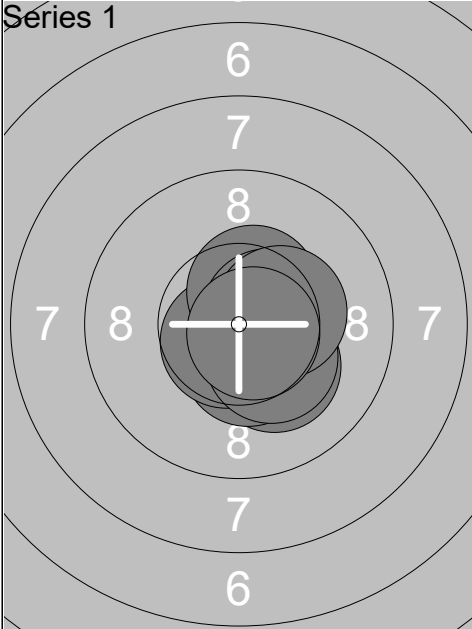
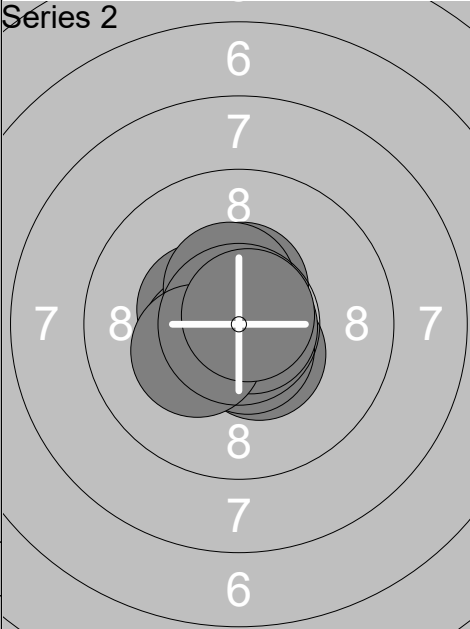
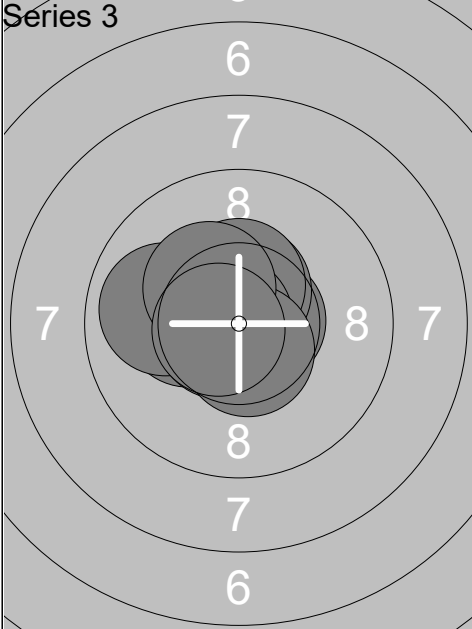
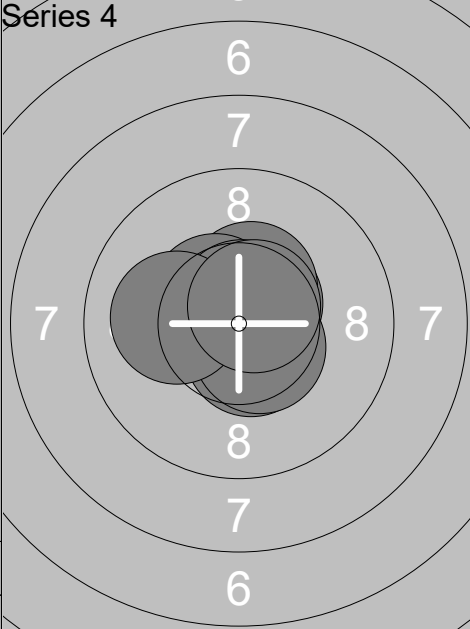
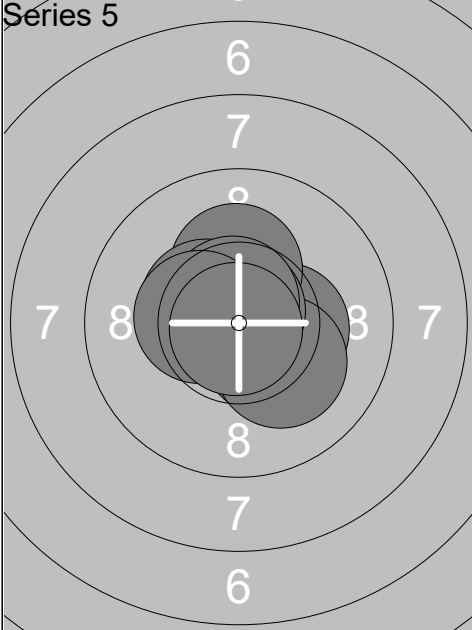
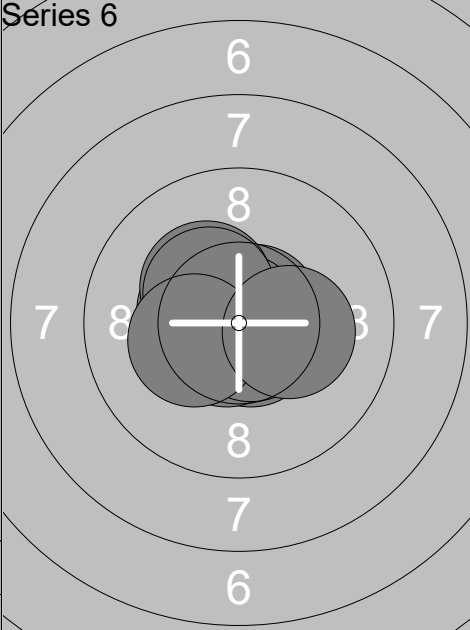
1:	10.3x ↗
2:	10.2x ↙
3:	9.7 ↓
4:	10.1 ↗
5:	8.9 →
6:	10.2x →
7:	9.4 ↗
8:	10.5x ←
9:	10.3x ←
10:	10.3x →
Series	99.9
	400.2

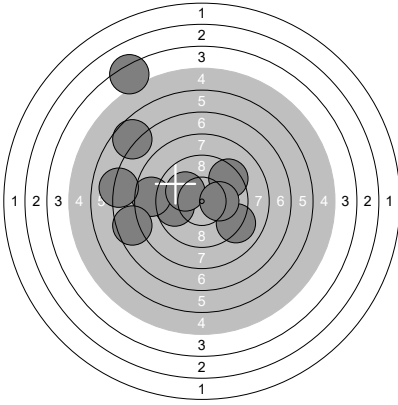
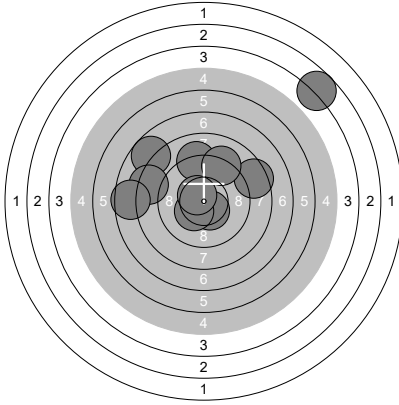


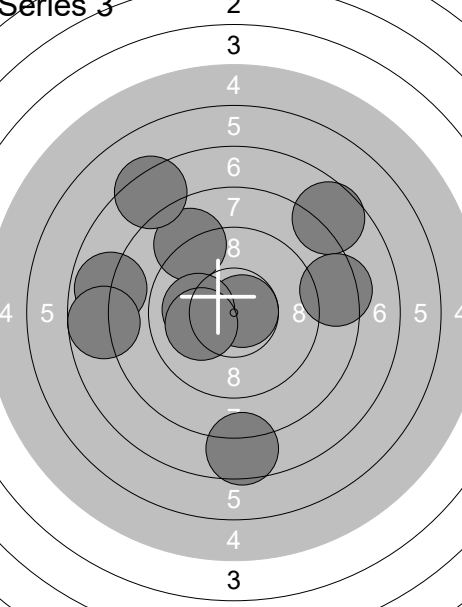
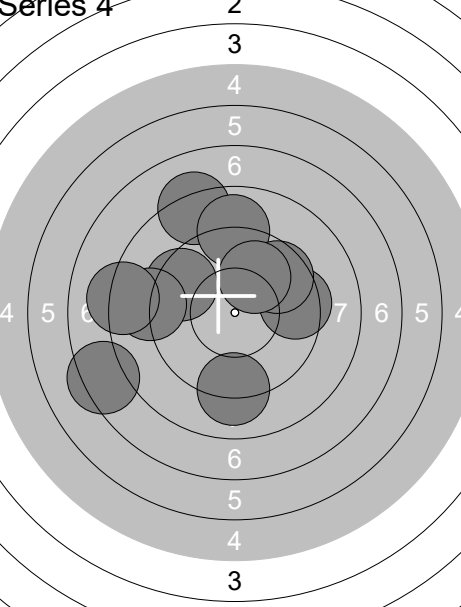
1:	8.6 ←
2:	8.5 →
3:	10.2x ↓
4:	8.9 →
5:	9.3 ↗
6:	10.4x ↓
7:	10.2x ↑
8:	10.4x ↑
9:	10.2x →
10:	10.3x ↙
Series	97.0
	497.2

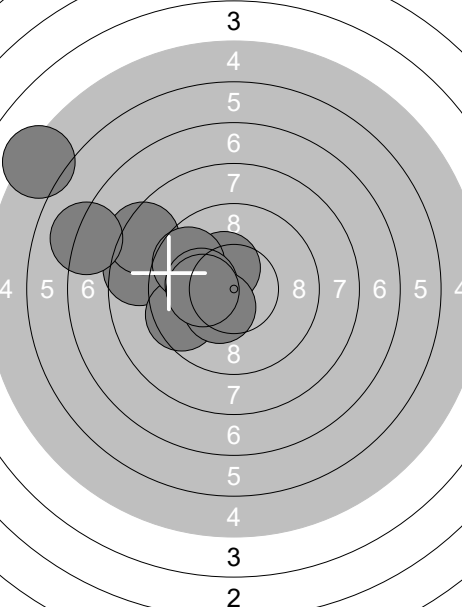
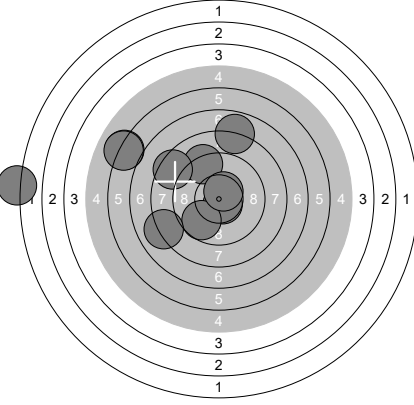


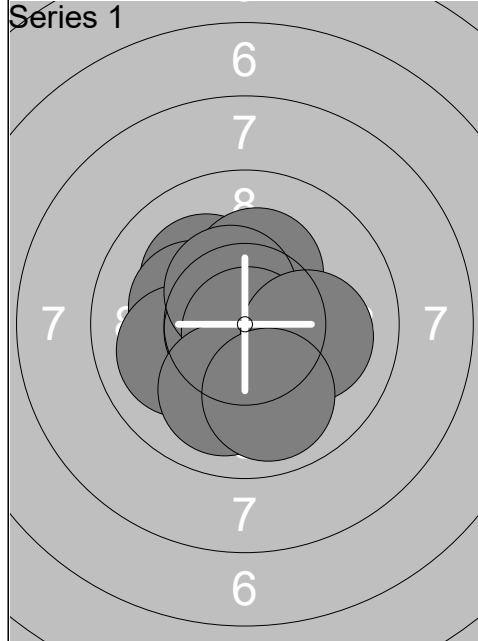
1:	10.5x ↗
2:	9.9 →
3:	10.3x ←
4:	9.6 ←
5:	9.1 →
6:	10.5x →
7:	10.0 ↑
8:	9.1 ←
9:	9.5 ←
10:	9.2 ↘
Series	97.7
	594.9

Relay	Lane	Name		
3	19	Marcus Madsen		
Qual Day 2		SWE	M	R
11.02.2026		Denmark Open Air 2026		Denmark Open Air 2026
Series 1 	1: 10.4x ↘	Series 2 	1: 10.6x ↙	
	2: 10.6x ↘		2: 10.4x ↙	
	3: 10.2x ↘		3: 10.5x ↘	
	4: 10.5x ↘		4: 10.5x ↙	
	5: 10.7x ↘		5: 10.6x ↘	
	6: 10.5x ↗		6: 10.5x ↗	
	7: 10.3x ↘		7: 10.8x →	
	8: 10.5x →		8: 10.5x ↗	
	9: 10.4x →		9: 10.3x ↙	
	10: 10.7x ↘		10: 10.8x ↗	
	Series 104.8		Series 105.5	
	104.8		210.3	
Series 3 	1: 10.3x ↙	Series 4 	1: 10.6x ↗	
	2: 9.9 ←		2: 10.7x ↙	
	3: 10.7x →		3: 10.4x ↗	
	4: 10.5x ↗		4: 10.5x ↙	
	5: 10.7x ↙		5: 10.7x ↗	
	6: 10.4x ↗		6: 10.6x ↘	
	7: 10.8x ↙		7: 10.6x ↘	
	8: 10.6x ↘		8: 10.5x ↘	
	9: 10.3x ↗		9: 10.1 ←	
	10: 10.7x ↙		10: 10.6x ↗	
	Series 104.9		Series 105.3	
	315.2		420.5	
Series 5 	1: 10.4x ↗	Series 6 	1: 10.7x ↗	
	2: 10.4x ↘		2: 10.4x ↙	
	3: 10.3x →		3: 10.7x ↘	
	4: 10.2x ↘		4: 10.9x ↗	
	5: 10.2x ↗		5: 10.3x ↙	
	6: 10.5x ↙		6: 10.7x ↘	
	7: 10.8x ↗		7: 10.7x ↘	
	8: 10.6x ↗		8: 10.4x ↙	
	9: 10.4x ↙		9: 10.3x ↙	
	10: 10.9x ↘		10: 10.3x →	
	Series 104.7		Series 105.4	
	525.2		630.6	

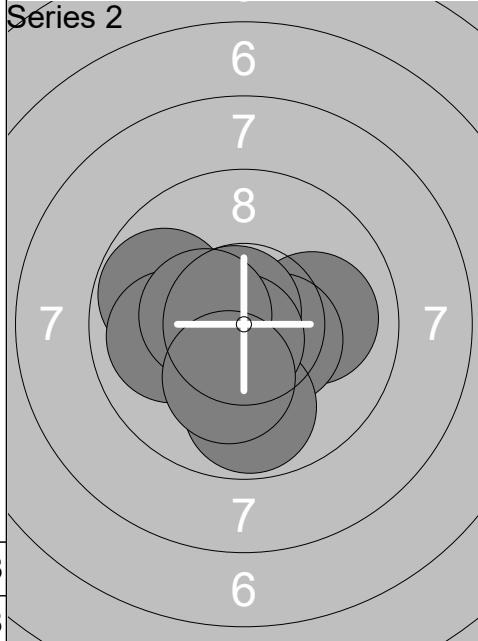
Series 1 	1: 9.7 ← 2: 9.1 ↘ 3: 8.6 ← 4: 6.7 ↗ 5: 9.4 ↗ 6: 7.1 ← 7: 4.2 ↗ 8: 10.1 ↖ 9: 7.6 ← 10: 10.2x → Series 82.7 82.7	Series 2 	1: 7.8 ↖ 2: 10.5x ↘ 3: 3.7 ↗ 4: 9.1 ↑ 5: 10.3x ↙ 6: 8.5 ↗ 7: 9.1 ↑ 8: 10.5x ↖ 9: 8.3 ← 10: 7.6 ← Series 85.4 168.1
--	---	---	---

Series 3 	1: 10.7x → 2: 7.7 ↗ 3: 9.0 ↖ 4: 10.0 ← 5: 7.6 ↓ 6: 7.9 ← 7: 7.4 ↗ 8: 8.4 → 9: 10.1 ← 10: 7.7 ← Series 86.5 254.6	Series 4 	1: 9.5 ↖ 2: 8.2 ↑ 3: 7.4 ↙ 4: 9.5 → 5: 9.0 ↑ 6: 9.6 ↗ 7: 8.9 ← 8: 8.2 ← 9: 9.1 ↓ 10: 9.9 ↗ Series 89.3 343.9
--	---	--	---

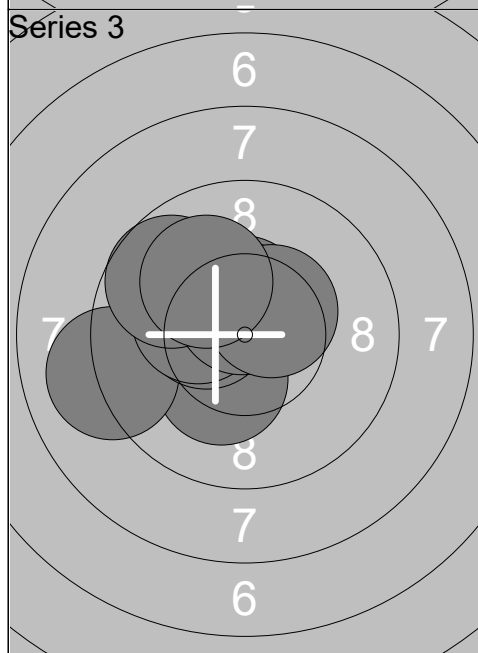
Series 5 	1: 8.6 ← 2: 8.4 ↖ 3: 9.5 ↙ 4: 10.4x ↗ 5: 7.1 ← 6: 5.2 ↖ 7: 9.7 ↖ 8: 10.1 ← 9: 10.4x ↘ 10: 10.2x ← Series 89.6 433.5	Series 6 	1: 9.2 ↗ 2: 10.7x ↘ 3: 6.1 ↖ 4: 9.7 ↘ 5: 6.1 ↖ 6: 7.9 ↑ 7: 8.1 ↖ 8: 1.7 ← 9: 10.6x ↗ 10: 8.5 ↖ Series 78.6 512.1
---	--	---	---



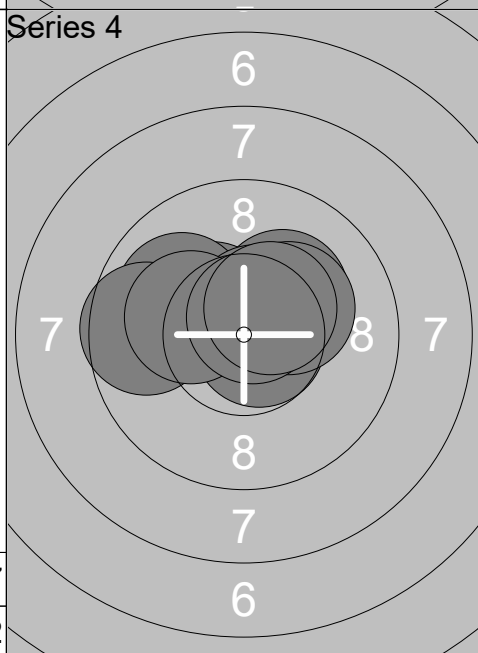
1:	10.2x ↖
2:	10.2x ↙
3:	10.3x ↑
4:	10.0 ↖
5:	10.8x ↙
6:	10.5x ↖
7:	10.8x ↓
8:	10.0 ↓
9:	10.1 →
10:	9.9 ↓
Series	102.8
	102.8



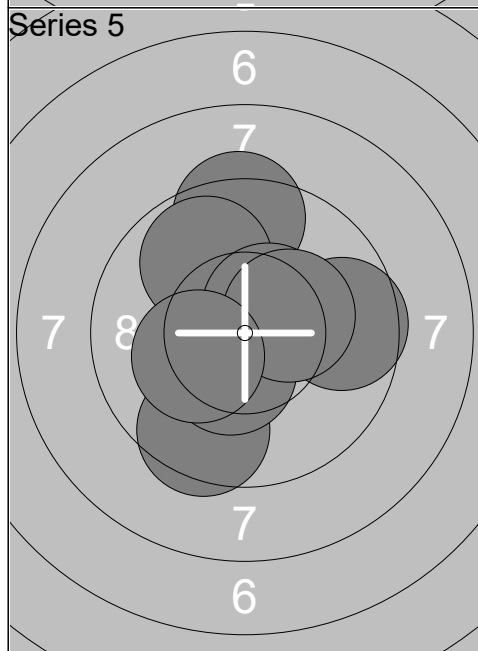
1:	10.0 →
2:	10.5x ↙
3:	10.5x ↘
4:	9.8 ↓
5:	9.8 ↖
6:	10.7x ↖
7:	10.8x ↓
8:	10.0 ↖
9:	10.4x ↙
10:	10.2x ↓
Series	102.7
	205.5



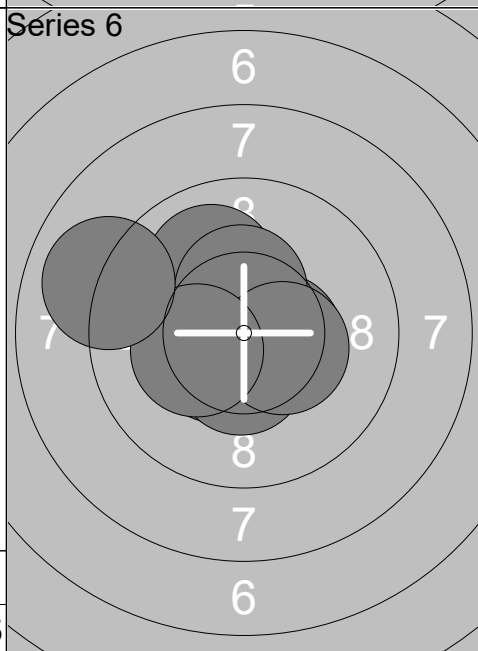
1:	10.5x ↑
2:	10.2x ↙
3:	10.3x ↓
4:	9.1 ↖
5:	10.4x ↙
6:	10.3x ↙
7:	10.6x ↑
8:	9.7 ↖
9:	10.5x ↗
10:	10.1 ↖
Series	101.7
	307.2



1:	10.2x ↗
2:	10.4x ↖
3:	10.0 ↖
4:	10.7x ↘
5:	9.6 ↖
6:	10.3x ↗
7:	10.6x ↗
8:	10.2x ↙
9:	10.7x ↗
10:	10.5x ↗
Series	103.2
	410.4



1:	9.6 →
2:	9.5 ↓
3:	10.0 ↖
4:	10.2x ↑
5:	9.4 ↑
6:	9.9 ↖
7:	10.5x ↗
8:	10.4x ↓
9:	10.3x ↗
10:	10.3x ↙
Series	100.1
	510.5



1:	10.5x ↘
2:	10.8x ↑
3:	10.7x ↓
4:	10.5x ↙
5:	10.0 ↖
6:	10.4x ↑
7:	10.5x ↓
8:	10.4x ↘
9:	10.3x ↙
10:	9.0 ↖
Series	103.1
	613.6

Relay	Lane	Jan Winther		
3	22	DEN		M R
Qual Day 2		Denmark Open Air 2026		Denmark Open Air 2026
11.02.2026				
Series 1 	1: 10.9x ↓	Series 2 	1: 9.3 ←	
	2: 10.2x →		2: 10.4x ↙	
	3: 10.3x ↑		3: 10.1 ↘	
	4: 10.6x →		4: 10.6x ↙	
	5: 10.6x ↘		5: 9.9 ↙	
	6: 10.4x ↗		6: 10.2x ↙	
	7: 10.7x ↗		7: 10.9x ↓	
	8: 9.9 →		8: 10.4x →	
	9: 9.6 →		9: 10.4x ↑	
	10: 10.5x ↓		10: 10.6x →	
	Series 103.7		Series 102.8	
	103.7		206.5	
Series 3 	1: 9.8 ↑	Series 4 	1: 10.4x ←	
	2: 10.1 ↑		2: 10.3x →	
	3: 10.8x →		3: 10.2x →	
	4: 10.4x ↘		4: 10.4x ←	
	5: 10.5x ↖		5: 9.9 →	
	6: 10.7x ↓		6: 10.7x ↓	
	7: 10.3x ↓		7: 10.5x ↖	
	8: 10.5x ↓		8: 10.2x ↖	
	9: 10.8x ↙		9: 10.5x ↘	
	10: 10.5x →		10: 10.2x ↖	
	Series 104.4		Series 103.3	
	310.9		414.2	
Series 5 	1: 10.4x ↘	Series 6 	1: 10.4x →	
	2: 10.0 ↖		2: 10.3x ←	
	3: 10.6x ↘		3: 10.3x ↑	
	4: 10.1 ↓		4: 10.4x ↙	
	5: 10.6x →		5: 10.3x ↖	
	6: 10.8x ↖		6: 10.7x →	
	7: 10.4x ↗		7: 10.8x ←	
	8: 10.5x ↖		8: 10.7x ↓	
	9: 10.7x ↑		9: 10.0 ↑	
	10: 10.8x ↓		10: 10.2x ↑	
	Series 104.9		Series 104.1	
	519.1		623.2	