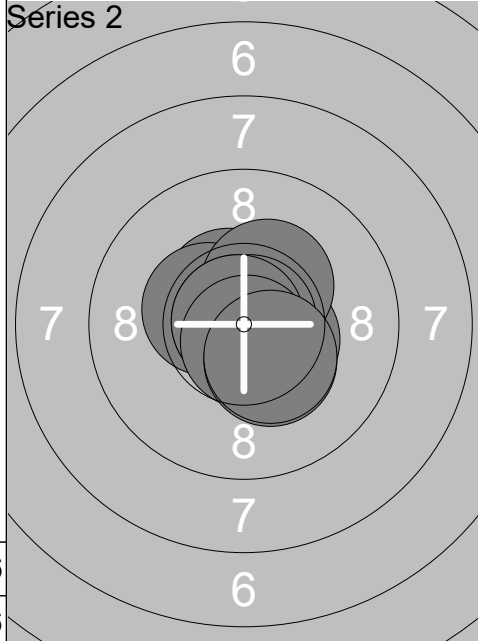
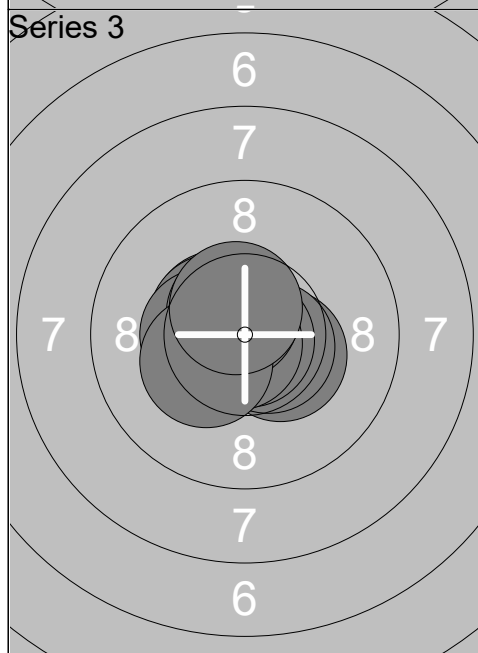


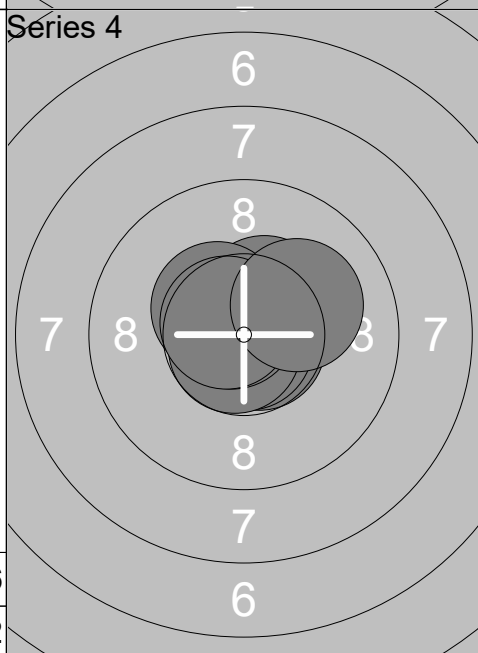
1:	10.8x ↖
2:	10.3x ↙
3:	10.7x ↙
4:	10.9x ↓
5:	10.4x ↗
6:	10.6x ↘
7:	10.5x ↗
8:	10.6x ↗
9:	10.4x ↘
10:	10.4x ↘
<b>Series</b>	<b>105.6</b>
	<b>105.6</b>



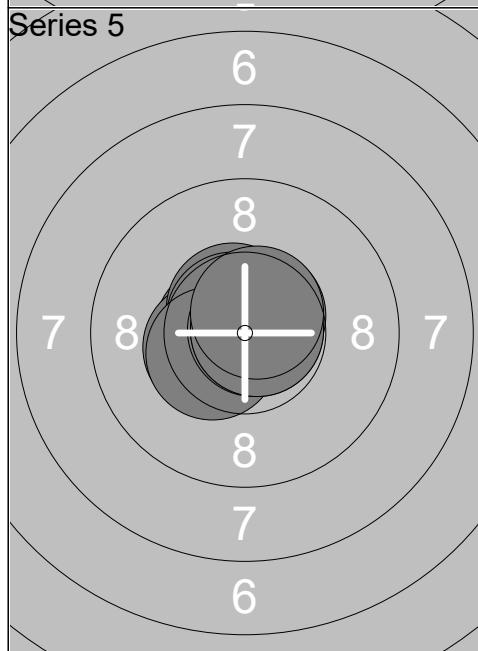
1:	10.5x ↖
2:	10.5x ↙
3:	10.5x ↘
4:	10.4x ↗
5:	10.9x ↙
6:	10.9x ↗
7:	10.9x ↙
8:	10.7x ↓
9:	10.3x ↘
10:	10.4x ↘
<b>Series</b>	<b>106.0</b>
	<b>211.6</b>



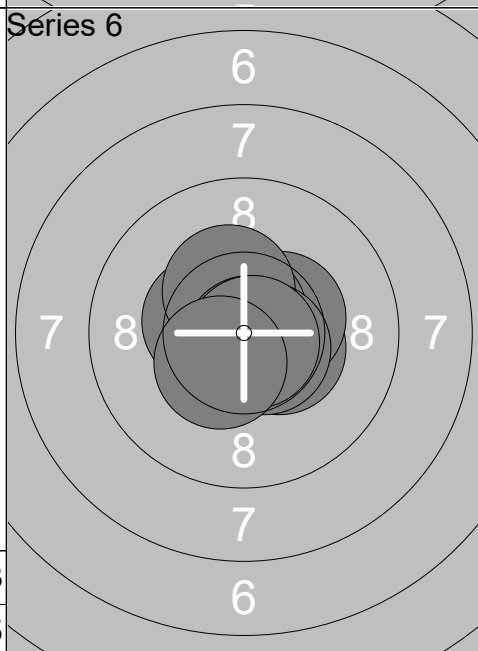
1:	10.4x ↘
2:	10.6x ↘
3:	10.9x ↓
4:	10.5x ↙
5:	10.5x ↙
6:	10.8x ↘
7:	10.4x ↙
8:	10.6x ↗
9:	10.3x ↙
10:	10.6x ↗
<b>Series</b>	<b>105.6</b>
	<b>317.2</b>



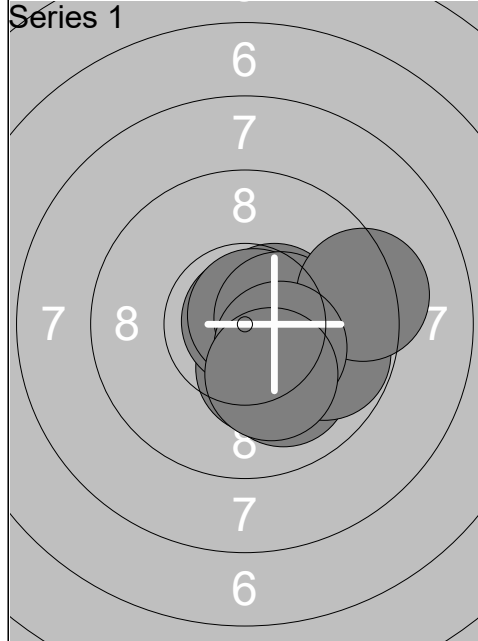
1:	10.7x ↘
2:	10.8x ↖
3:	10.6x ↗
4:	10.8x ↓
5:	10.4x ↗
6:	10.8x ↘
7:	10.7x ↖
8:	10.4x ↖
9:	10.7x ↙
10:	10.1 ↗
<b>Series</b>	<b>106.0</b>
	<b>423.2</b>



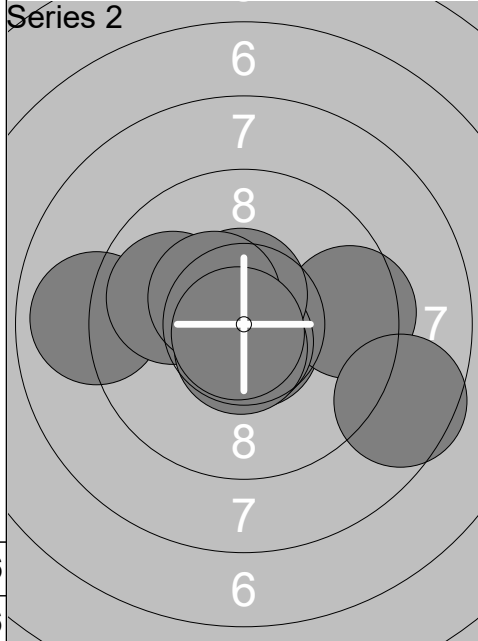
1:	10.6x ↙
2:	10.4x ↙
3:	10.6x ↗
4:	10.7x ↖
5:	10.4x ↙
6:	10.8x ↗
7:	10.6x ↗
8:	10.8x ↗
9:	10.8x ↗
10:	10.6x ↗
<b>Series</b>	<b>106.3</b>
	<b>529.5</b>



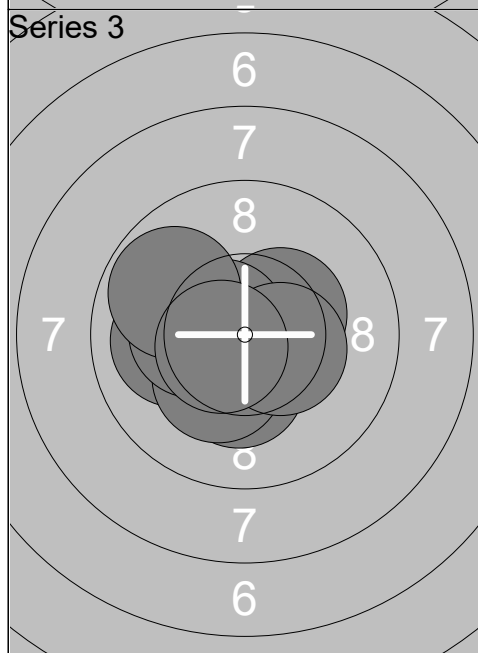
1:	10.4x ↘
2:	10.8x ↗
3:	10.4x ↗
4:	10.7x ↗
5:	10.5x ↙
6:	10.3x ↗
7:	10.6x ↘
8:	10.8x ↘
9:	10.8x ↘
10:	10.4x ↘
<b>Series</b>	<b>105.7</b>
	<b>635.2</b>



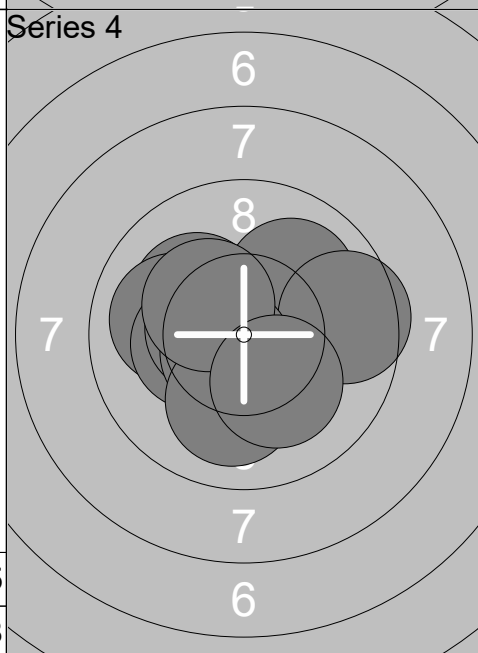
1:	10.5x	↗
2:	10.3x	↘
3:	10.9x	↗
4:	10.8x	↗
5:	10.4x	→
6:	10.0	↘
7:	9.8	→
8:	9.3	→
9:	10.4x	↘
10:	10.2x	↘
<b>Series</b>	<b>102.6</b>	
	<b>102.6</b>	



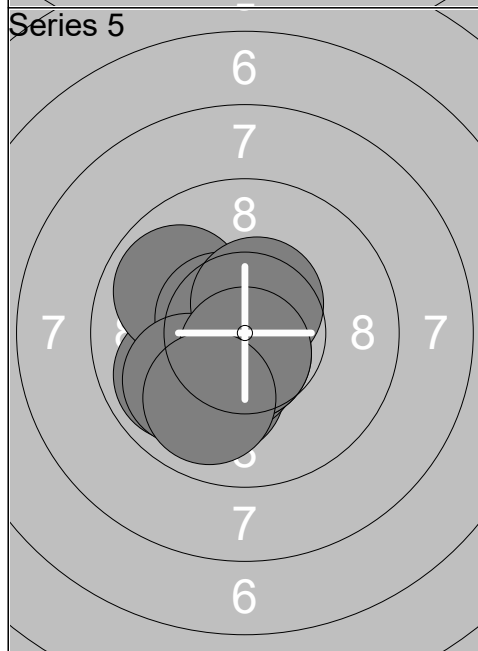
1:	8.9	←
2:	9.9	←
3:	10.7x	↘
4:	9.5	→
5:	10.7x	↘
6:	10.6x	↘
7:	10.6x	↑
8:	10.4x	↖
9:	10.8x	↘
10:	8.6	→
<b>Series</b>	<b>100.7</b>	
	<b>203.3</b>	



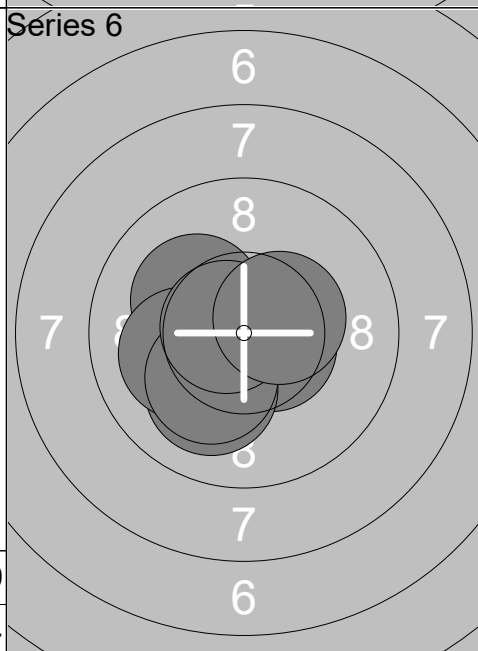
1:	10.3x	↘
2:	10.8x	↙
3:	10.4x	↗
4:	10.0	←
5:	10.3x	↘
6:	10.3x	←
7:	10.6x	↙
8:	9.8	↖
9:	10.4x	→
10:	10.6x	↙
<b>Series</b>	<b>103.5</b>	
	<b>306.8</b>	



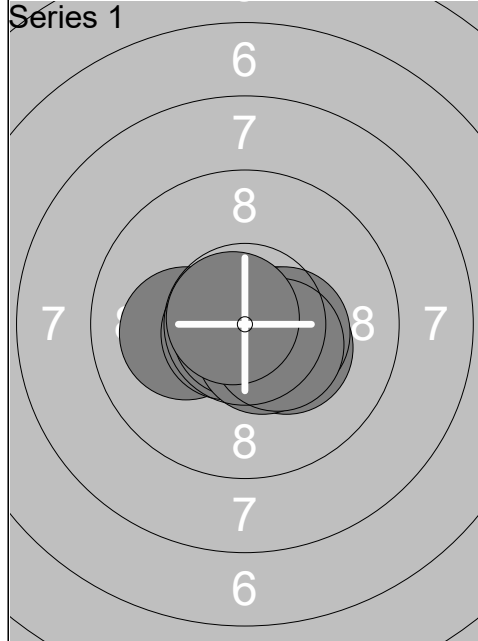
1:	10.1	↖
2:	10.0	↗
3:	9.6	→
4:	10.0	←
5:	10.3x	←
6:	10.5x	←
7:	10.6x	↙
8:	10.1	↘
9:	10.3x	↖
10:	10.2x	↘
<b>Series</b>	<b>101.7</b>	
	<b>408.5</b>	



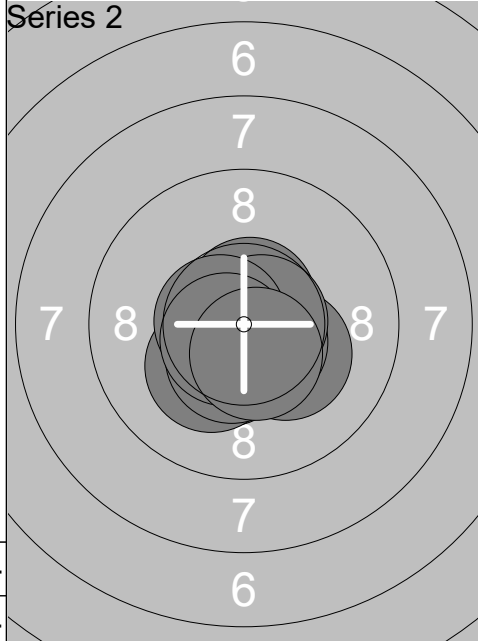
1:	9.9	←
2:	10.1	↘
3:	10.5x	↘
4:	10.7x	↘
5:	9.9	↖
6:	10.6x	↖
7:	10.5x	↗
8:	10.0	←
9:	10.7x	↘
10:	10.0	↘
<b>Series</b>	<b>102.9</b>	
	<b>511.4</b>	



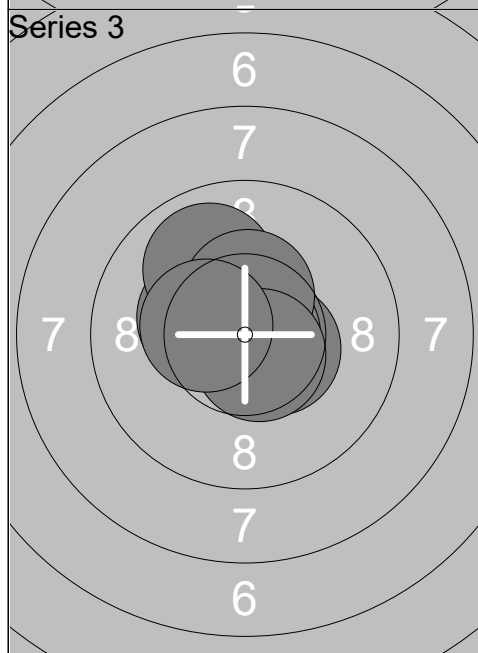
1:	10.2x	↙
2:	10.2x	↖
3:	10.5x	↙
4:	10.8x	↘
5:	10.6x	→
6:	10.1	↘
7:	10.1	←
8:	10.2x	↙
9:	10.7x	↙
10:	10.4x	↗
<b>Series</b>	<b>103.8</b>	
	<b>615.2</b>	



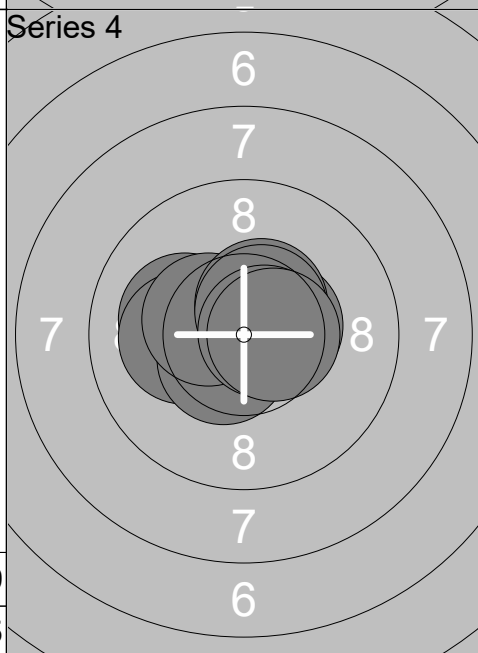
1:	10.3x	↘
2:	10.5x	→
3:	10.8x	↘
4:	10.1	←
5:	10.4x	→
6:	10.7x	↙
7:	10.9x	↘
8:	10.5x	↘
9:	10.4x	↘
10:	10.8x	↙
<b>Series</b>	<b>105.4</b>	
	<b>105.4</b>	



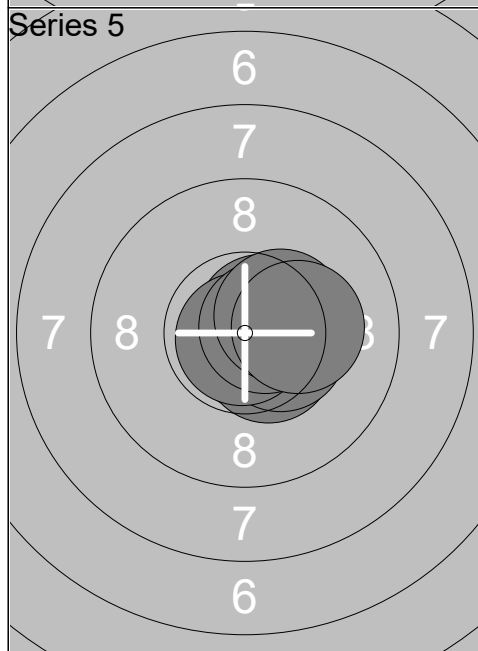
1:	10.7x	↗
2:	10.4x	↘
3:	10.3x	↘
4:	10.2x	↘
5:	10.6x	↘
6:	10.7x	→
7:	10.5x	↘
8:	10.6x	↙
9:	10.7x	↙
10:	10.5x	↘
<b>Series</b>	<b>105.2</b>	
	<b>210.6</b>	



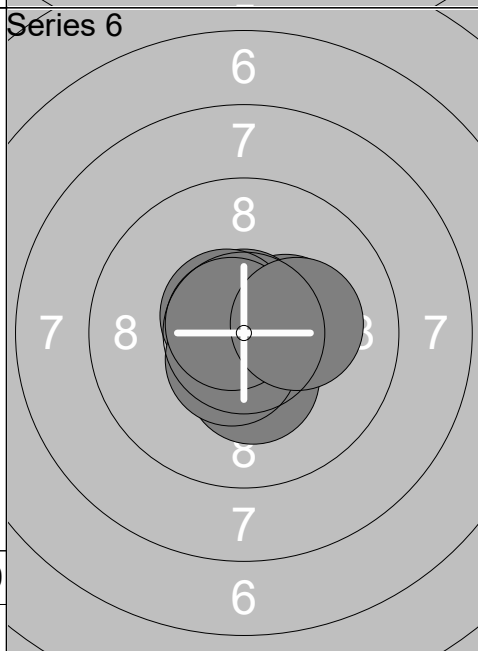
1:	10.6x	↘
2:	10.9x	↗
3:	10.5x	→
4:	10.4x	↘
5:	10.8x	→
6:	10.3x	↙
7:	10.0	↗
8:	10.4x	↑
9:	10.6x	↘
10:	10.4x	↙
<b>Series</b>	<b>104.9</b>	
	<b>315.5</b>	



1:	10.1	←
2:	10.1	←
3:	10.7x	↗
4:	10.5x	↘
5:	10.5x	→
6:	10.4x	↙
7:	10.5x	↗
8:	10.6x	↗
9:	10.7x	→
10:	10.5x	→
<b>Series</b>	<b>104.6</b>	
	<b>420.1</b>	

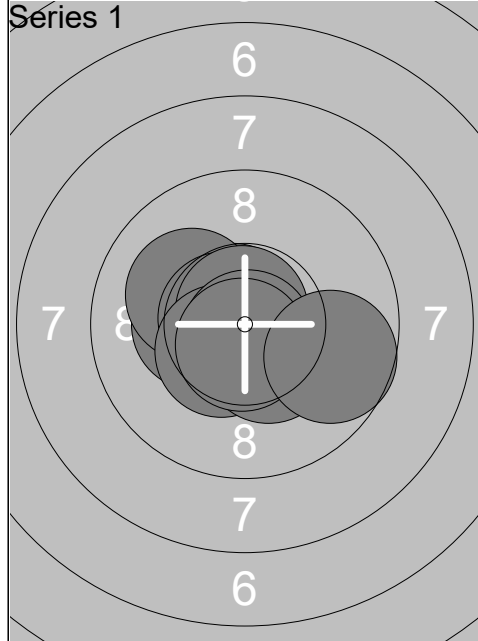


1:	10.6x	↘
2:	10.7x	↗
3:	10.7x	↘
4:	10.8x	→
5:	10.5x	↘
6:	10.5x	→
7:	10.9x	↘
8:	10.7x	→
9:	10.4x	↗
10:	10.2x	→
<b>Series</b>	<b>106.0</b>	
	<b>526.1</b>	

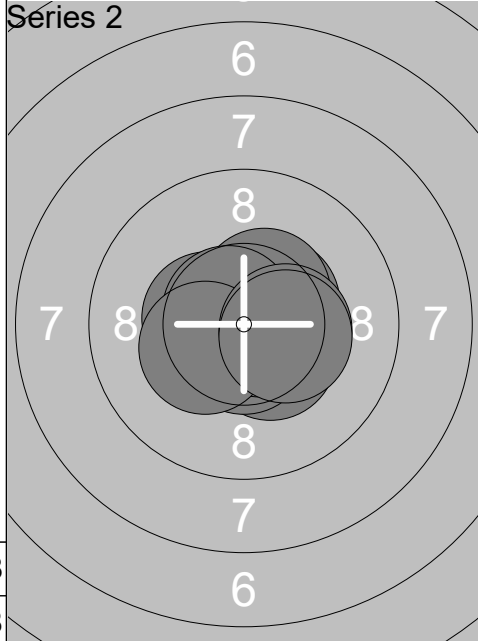


1:	10.6x	↘
2:	10.8x	→
3:	10.4x	→
4:	10.7x	↑
5:	10.6x	↘
6:	10.6x	↘
7:	10.3x	↘
8:	10.6x	↘
9:	10.7x	↘
10:	10.2x	→
<b>Series</b>	<b>105.5</b>	
	<b>631.6</b>	

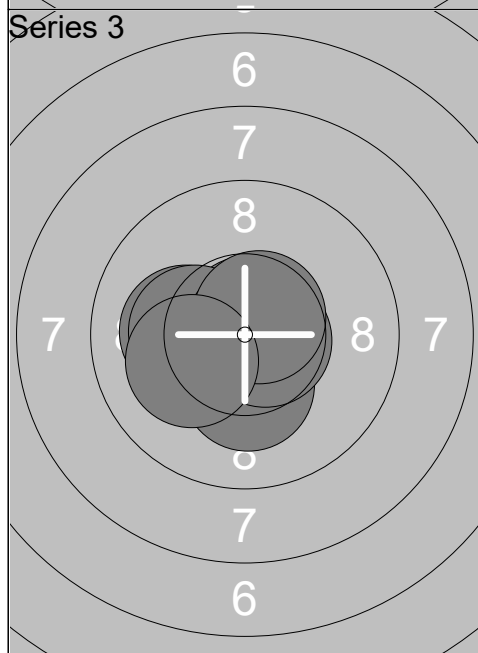
Relay	Lane	Malte Jensen		
5	35	DEN	SH2	R
Qual Day 2		Denmark Open Air 2026		Denmark Open Air 2026
11.02.2026				
<b>Series 1</b> 	1: 10.8x ↗	<b>Series 2</b> 	1: 10.8x →	
	2: 10.7x →		2: 10.5x ↓	
	3: 10.5x ↓		3: 10.4x ↘	
	4: 10.5x ↓		4: 10.8x ↓	
	5: 10.8x →		5: 10.7x →	
	6: 10.6x ↓		6: 10.3x ↑	
	7: 10.6x ↗		7: 10.8x →	
	8: 10.6x ↗		8: 10.1 ↓	
	9: 10.5x →		9: 10.6x →	
	10: 10.8x →		10: 10.2x ↙	
	<b>Series</b> 106.4		<b>Series</b> 105.2	
	106.4		211.6	
<b>Series 3</b> 	1: 10.1 ↑	<b>Series 4</b> 	1: 10.5x ↙	
	2: 10.3x ↓		2: 10.8x ↑	
	3: 9.9 ↘		3: 10.6x ↗	
	4: 10.7x →		4: 10.4x ↖	
	5: 10.8x ↗		5: 10.7x ↓	
	6: 10.5x ↓		6: 10.7x ↙	
	7: 10.3x ↓		7: 10.2x ↓	
	8: 10.4x ↓		8: 10.4x ↓	
	9: 10.5x ↑		9: 10.4x ↓	
	10: 10.8x →		10: 10.6x ←	
	<b>Series</b> 104.3		<b>Series</b> 105.3	
	315.9		421.2	
<b>Series 5</b> 	1: 10.8x ↓	<b>Series 6</b> 	1: 10.6x ↑	
	2: 10.4x ↓		2: 10.8x ↑	
	3: 10.3x ↓		3: 10.7x ↑	
	4: 10.9x ←		4: 10.3x ↖	
	5: 10.8x ↓		5: 10.8x →	
	6: 10.0 ↖		6: 10.8x ←	
	7: 10.6x ↗		7: 10.1 ↑	
	8: 10.8x ↙		8: 10.4x ↖	
	9: 10.8x ←		9: 10.6x →	
	10: 10.3x ←		10: 10.8x ↓	
	<b>Series</b> 105.7		<b>Series</b> 105.9	
	526.9		632.8	



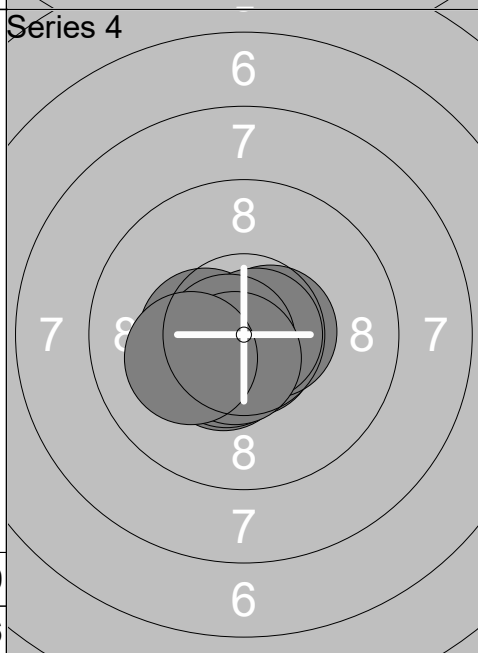
1:	10.3x ←
2:	10.7x ↗
3:	10.2x ↖
4:	10.7x ←
5:	10.8x ↑
6:	10.5x ↘
7:	10.4x ↘
8:	10.8x ↓
9:	10.7x ↓
10:	9.7 →
<b>Series</b>	<b>104.8</b>
	<b>104.8</b>



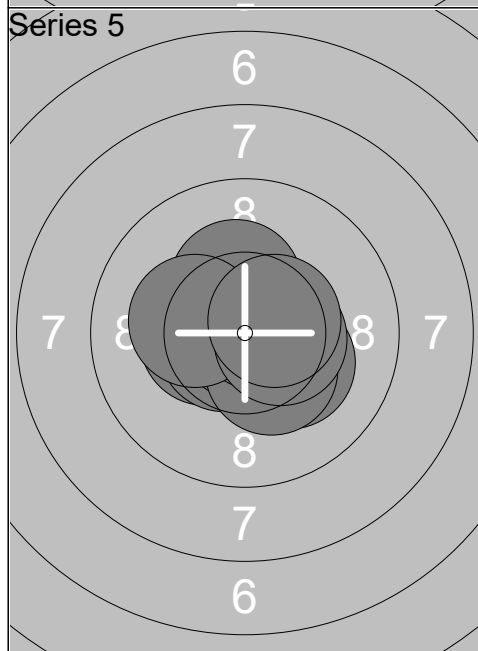
1:	10.4x ↘
2:	10.6x ↓
3:	10.5x ←
4:	10.4x ↗
5:	10.4x ↗
6:	10.7x →
7:	10.7x ↖
8:	10.3x ↙
9:	10.4x →
10:	10.4x →
<b>Series</b>	<b>104.8</b>
	<b>209.6</b>



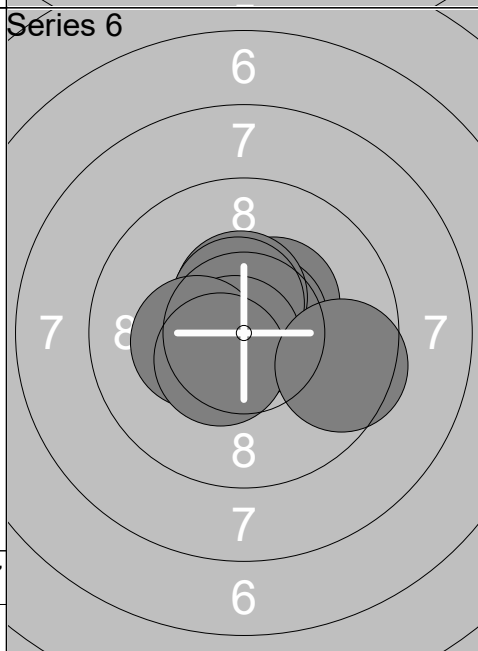
1:	10.7x ↓
2:	10.1 ←
3:	10.5x ↘
4:	10.3x ↓
5:	10.8x ↑
6:	10.3x ←
7:	10.8x ↗
8:	10.7x →
9:	10.6x ↗
10:	10.2x ↙
<b>Series</b>	<b>105.0</b>
	<b>314.6</b>



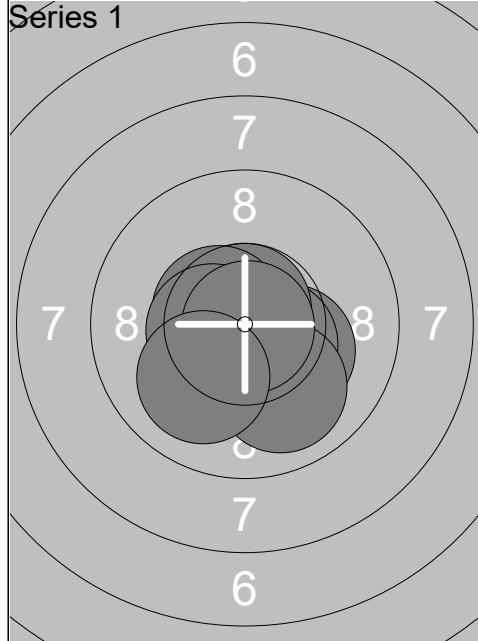
1:	10.8x ↙
2:	10.4x ←
3:	10.7x ↓
4:	10.6x →
5:	10.5x ↘
6:	10.8x →
7:	10.5x ↘
8:	10.7x ↙
9:	10.6x ↓
10:	10.2x ↙
<b>Series</b>	<b>105.8</b>
	<b>420.4</b>



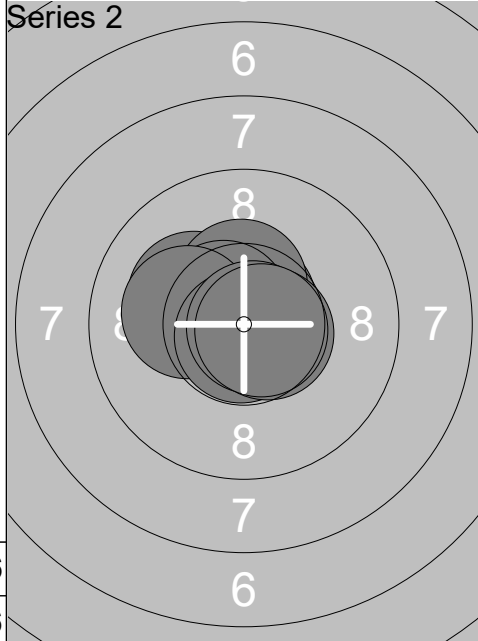
1:	10.4x ←
2:	10.2x ↘
3:	10.6x ↙
4:	10.9x ←
5:	10.4x ↘
6:	10.7x ↗
7:	10.3x ↑
8:	10.3x ←
9:	10.4x →
10:	10.5x →
<b>Series</b>	<b>104.7</b>
	<b>525.1</b>



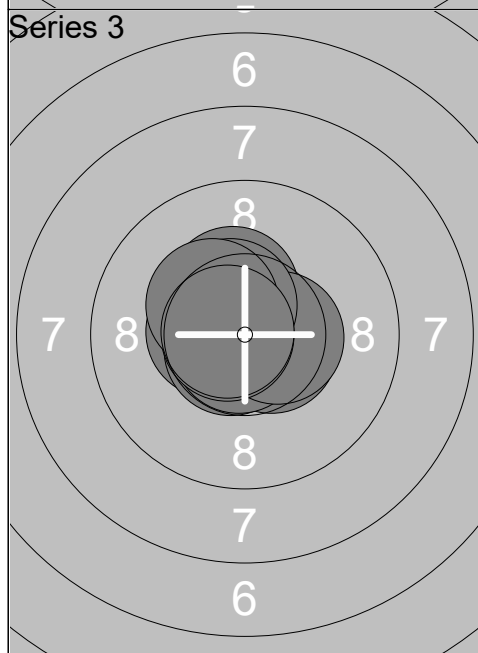
1:	10.9x ↑
2:	10.7x ↗
3:	10.4x ↗
4:	10.7x ↗
5:	10.5x ↑
6:	10.6x ↑
7:	10.8x ↙
8:	10.3x ←
9:	10.5x ↘
10:	9.6 →
<b>Series</b>	<b>105.0</b>
	<b>630.1</b>



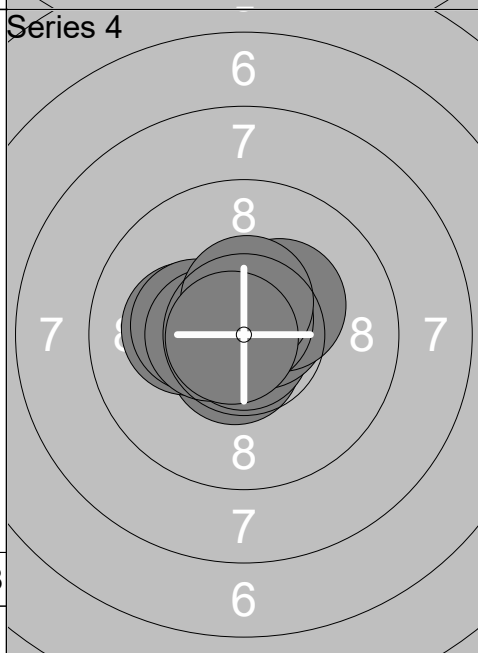
1:	10.3x ↘
2:	10.5x ↘
3:	10.4x ↓
4:	10.8x ↑
5:	10.6x ←
6:	10.6x ↖
7:	10.5x ←
8:	10.0 ↓
9:	10.9x ↘
10:	10.0 ↓
<b>Series</b>	<b>104.6</b>
	<b>104.6</b>



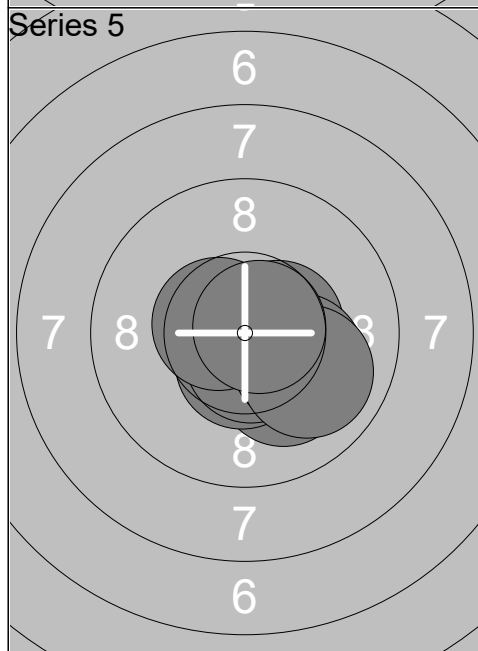
1:	10.2x ↖
2:	10.7x ↑
3:	10.4x ↑
4:	10.6x ↖
5:	10.2x ←
6:	10.7x ↘
7:	10.8x ↓
8:	10.6x →
9:	10.8x →
10:	10.7x →
<b>Series</b>	<b>105.7</b>
	<b>210.3</b>



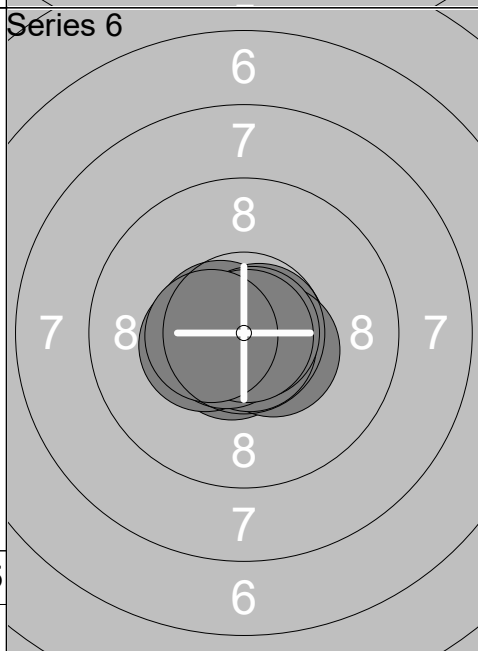
1:	10.6x →
2:	10.4x ↑
3:	10.5x ←
4:	10.7x ↘
5:	10.8x ↘
6:	10.5x →
7:	10.5x ↗
8:	10.7x ←
9:	10.4x ↖
10:	10.7x ←
<b>Series</b>	<b>105.8</b>
	<b>316.1</b>



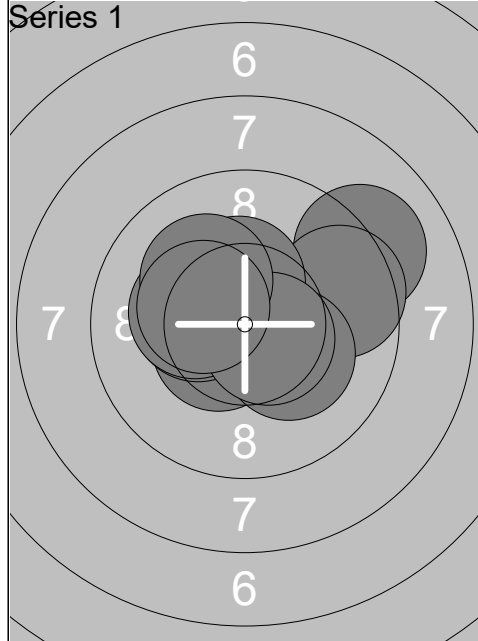
1:	10.6x ↓
2:	10.8x ↓
3:	10.7x ↗
4:	10.2x ←
5:	10.3x ↗
6:	10.8x ↑
7:	10.3x ←
8:	10.5x ←
9:	10.5x ↑
10:	10.8x ←
<b>Series</b>	<b>105.5</b>
	<b>421.6</b>



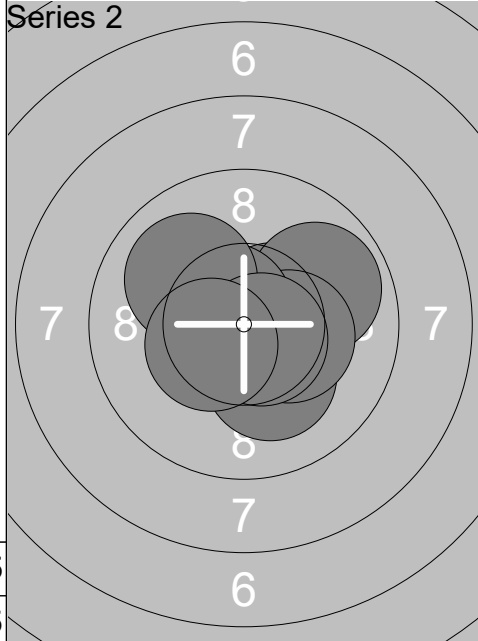
1:	10.1 ↓
2:	10.5x →
3:	10.6x ↓
4:	10.6x →
5:	10.7x →
6:	10.6x ↓
7:	10.1 ↘
8:	10.6x ↖
9:	10.0 ↘
10:	10.7x →
<b>Series</b>	<b>104.5</b>
	<b>526.1</b>



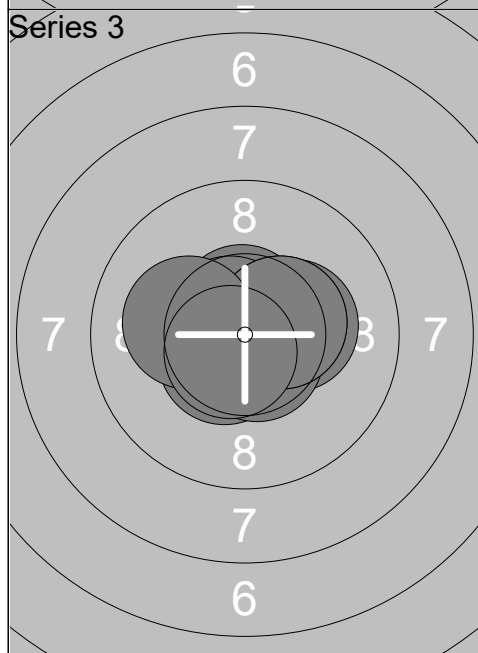
1:	10.6x ↓
2:	10.7x →
3:	10.5x →
4:	10.8x ↓
5:	10.4x ←
6:	10.7x ↙
7:	10.6x ←
8:	10.8x →
9:	10.9x ↘
10:	10.5x ←
<b>Series</b>	<b>106.5</b>
	<b>632.6</b>



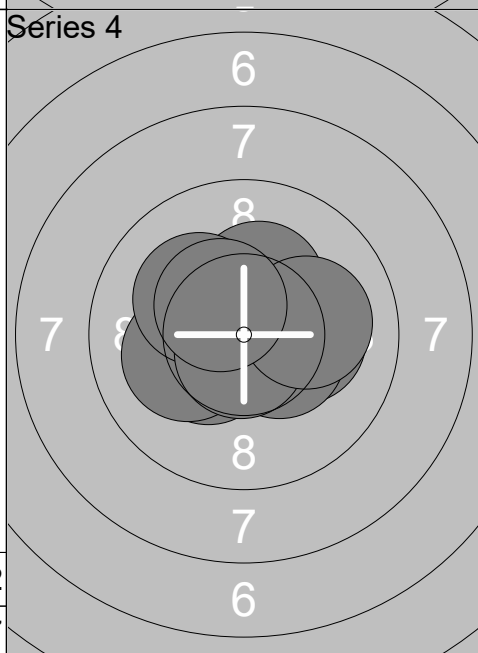
1:	9.1	↗
2:	9.6	→
3:	10.4x	↑
4:	10.5x	↙
5:	10.3x	↙
6:	10.3x	↙
7:	10.2x	↘
8:	10.6x	↘
9:	10.2x	↖
10:	10.3x	↙
<b>Series</b>	<b>101.5</b>	
	<b>101.5</b>	



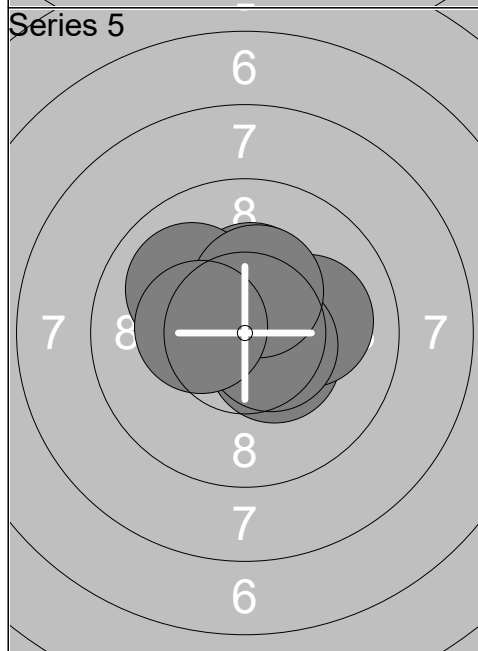
1:	10.8x	↗
2:	10.7x	↓
3:	10.2x	↘
4:	10.5x	↗
5:	9.9	↗
6:	10.3x	→
7:	10.6x	↖
8:	10.0	↖
9:	10.6x	↘
10:	10.4x	↙
<b>Series</b>	<b>104.0</b>	
	<b>205.5</b>	



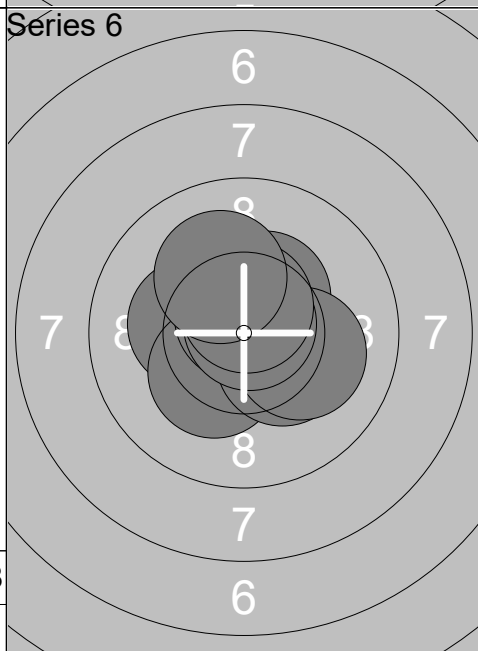
1:	10.6x	↑
2:	10.3x	→
3:	10.5x	↙
4:	10.7x	↙
5:	10.6x	↘
6:	10.7x	↖
7:	10.5x	→
8:	10.4x	→
9:	10.2x	↙
10:	10.7x	↙
<b>Series</b>	<b>105.2</b>	
	<b>310.7</b>	



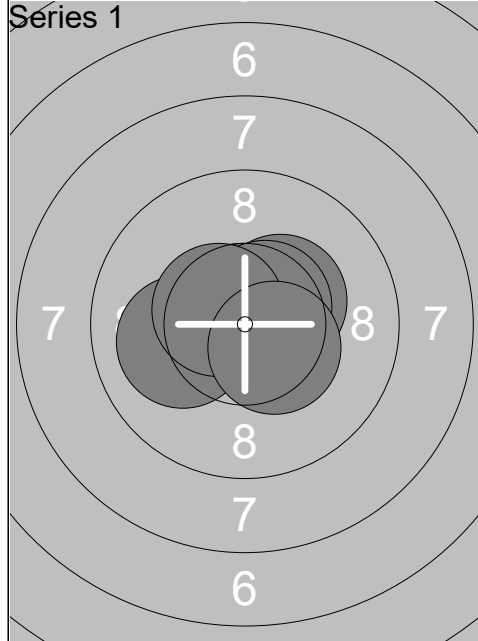
1:	10.2x	→
2:	10.3x	↑
3:	10.4x	↙
4:	10.8x	↖
5:	10.1	←
6:	10.2x	↖
7:	10.4x	↘
8:	10.7x	↓
9:	10.1	→
10:	10.4x	↖
<b>Series</b>	<b>103.6</b>	
	<b>414.3</b>	



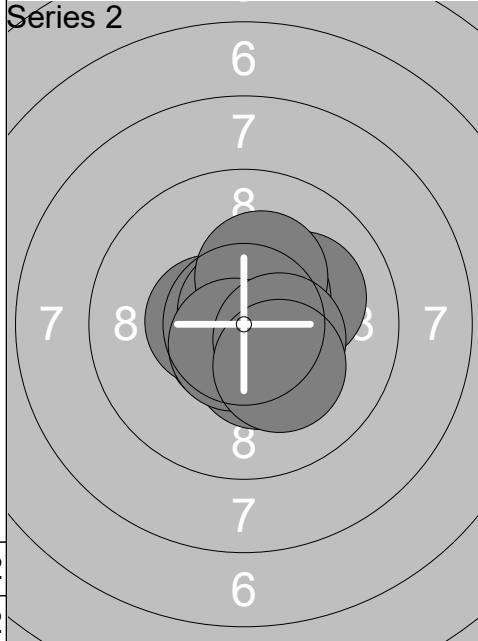
1:	10.5x	↑
2:	10.3x	↑
3:	10.8x	↖
4:	10.5x	↑
5:	10.4x	↘
6:	10.1	→
7:	10.5x	↘
8:	10.0	↖
9:	10.4x	↑
10:	10.3x	↙
<b>Series</b>	<b>103.8</b>	
	<b>518.1</b>	



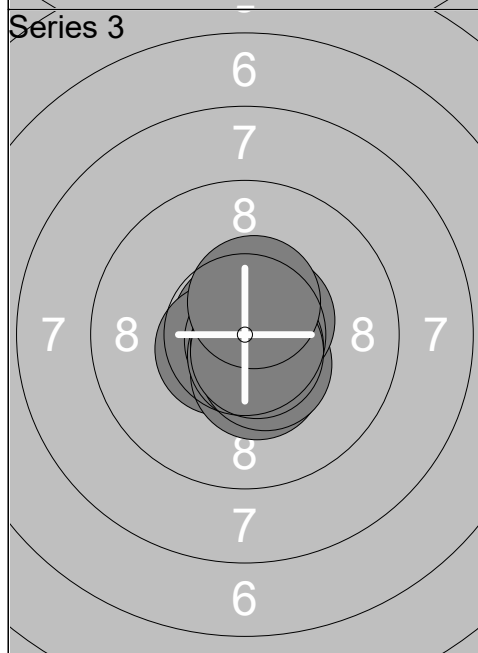
1:	10.3x	↙
2:	10.5x	→
3:	10.3x	↙
4:	10.4x	↑
5:	10.3x	↘
6:	10.1	→
7:	10.7x	↑
8:	10.8x	↖
9:	10.6x	↑
10:	10.1	↖
<b>Series</b>	<b>104.1</b>	
	<b>622.2</b>	



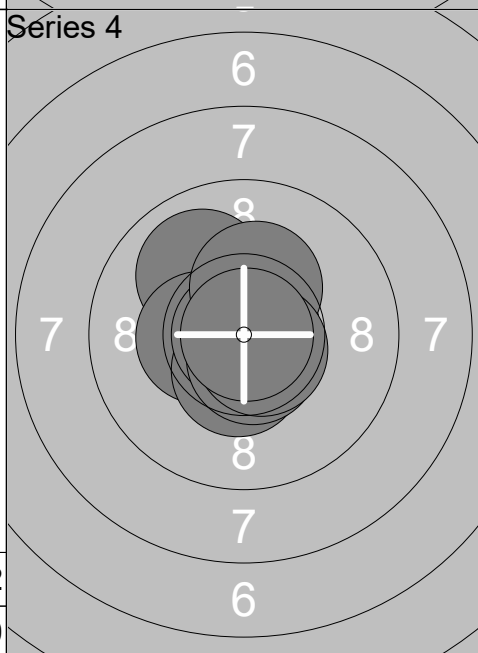
1:	10.7x ↑
2:	10.5x ↗
3:	10.6x ↗
4:	10.8x ↗
5:	10.4x ↗
6:	10.6x ←
7:	10.6x ↗
8:	10.1 ←
9:	10.5x ↖
10:	10.4x ↘
<b>Series</b>	<b>105.2</b>
	<b>105.2</b>



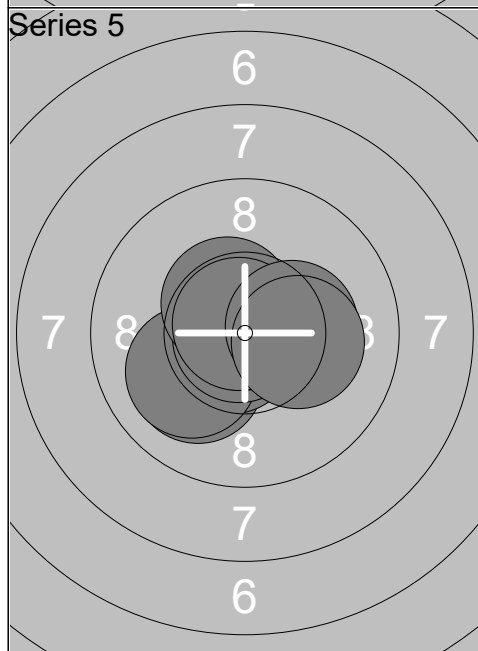
1:	10.4x ↓
2:	10.7x ↓
3:	10.5x ←
4:	10.1 ↗
5:	10.8x ↑
6:	10.5x ↗
7:	10.3x ↑
8:	10.7x ↓
9:	10.4x ⇒
10:	10.2x ↘
<b>Series</b>	<b>104.6</b>
	<b>209.8</b>



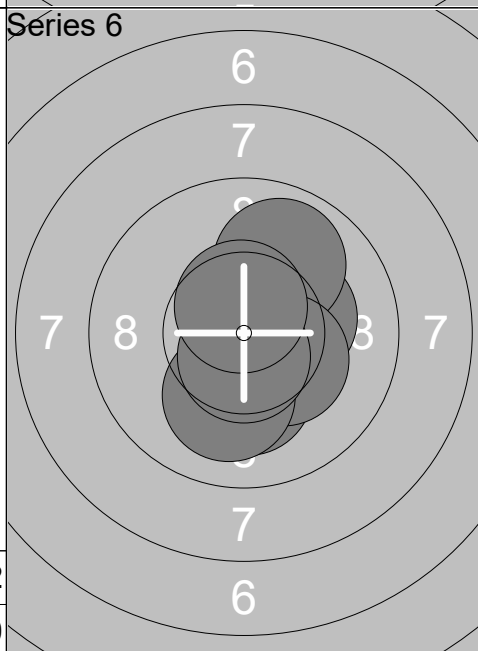
1:	10.8x ↖
2:	10.6x ↙
3:	10.4x ↓
4:	10.8x ↘
5:	10.6x ↓
6:	10.5x ↓
7:	10.6x ↗
8:	10.7x ↘
9:	10.7x ↘
10:	10.5x ↑
<b>Series</b>	<b>106.2</b>
	<b>316.0</b>



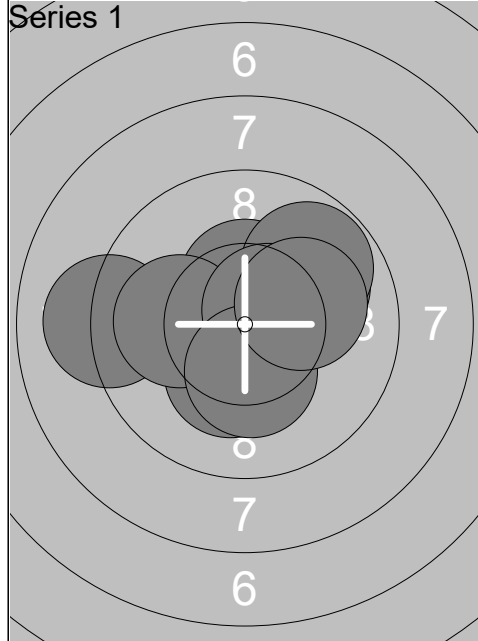
1:	10.0 ↖
2:	10.8x ↗
3:	10.4x ←
4:	10.5x ↓
5:	10.9x ←
6:	10.8x ↗
7:	10.3x ↑
8:	10.6x ↓
9:	10.6x ↘
10:	10.9x ⇒
<b>Series</b>	<b>105.8</b>
	<b>421.8</b>



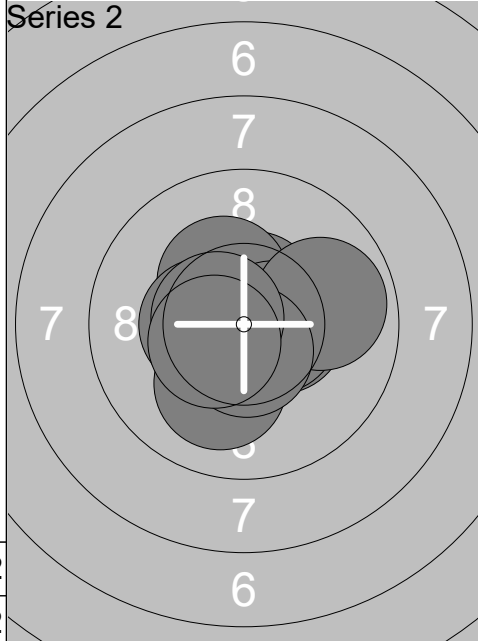
1:	10.8x ↑
2:	10.1 ↓
3:	10.7x ↙
4:	10.1 ↓
5:	10.9x ←
6:	10.8x ↑
7:	10.5x ↗
8:	10.8x ↖
9:	10.3x ⇒
10:	10.2x ⇒
<b>Series</b>	<b>105.2</b>
	<b>527.0</b>



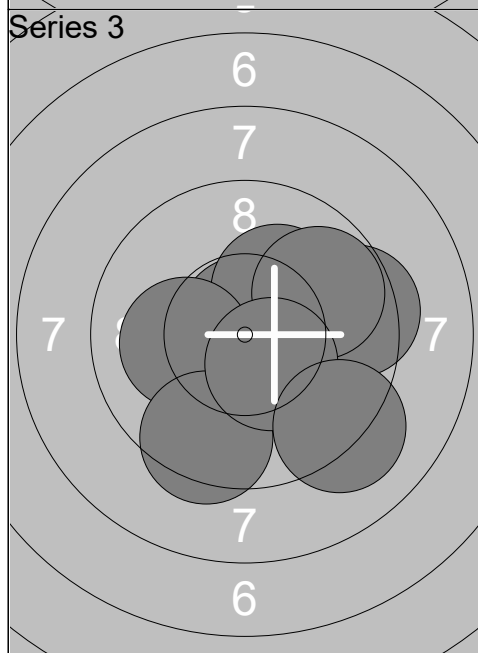
1:	10.3x ⇒
2:	10.7x ⇒
3:	10.7x ↑
4:	10.4x ↘
5:	10.2x ↓
6:	9.9 ↗
7:	10.3x ⇒
8:	10.1 ↓
9:	10.6x ↓
10:	10.6x ↑
<b>Series</b>	<b>103.8</b>
	<b>630.8</b>



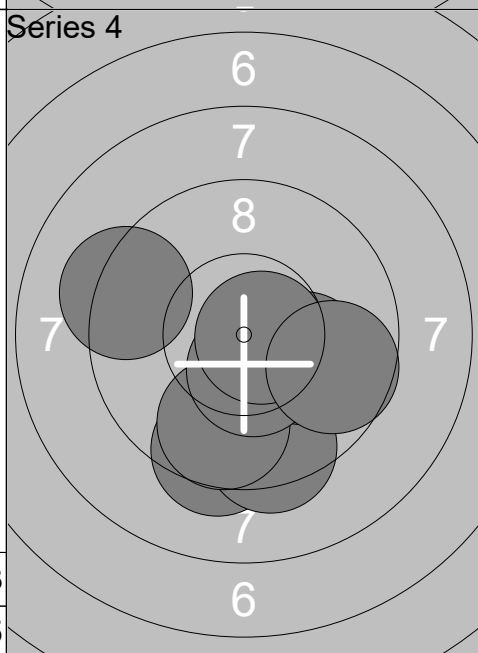
1:	10.0 ↗
2:	10.4x ↑
3:	10.5x ←
4:	9.1 ←
5:	10.3x ↓
6:	9.8 ↗
7:	10.1 ←
8:	10.6x ↗
9:	10.3x ↓
10:	10.1 →
<b>Series</b>	<b>101.2</b>
	<b>101.2</b>



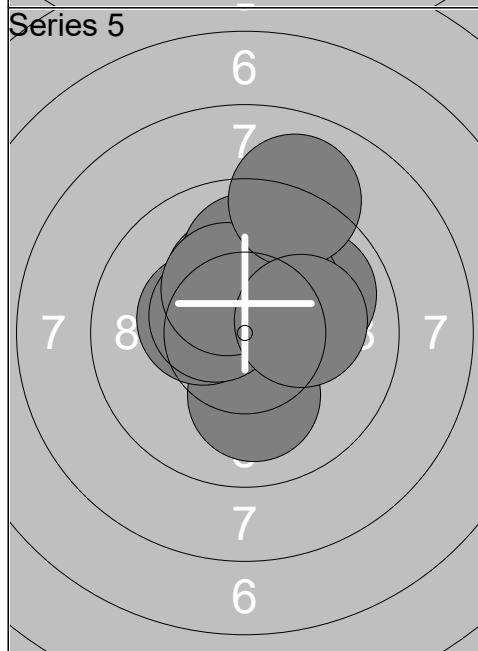
1:	10.1 ↓
2:	10.6x ↑
3:	10.3x ↘
4:	10.4x ←
5:	10.5x →
6:	10.5x →
7:	9.9 →
8:	10.6x ↓
9:	10.6x ←
10:	10.5x ↙
<b>Series</b>	<b>104.0</b>
	<b>205.2</b>



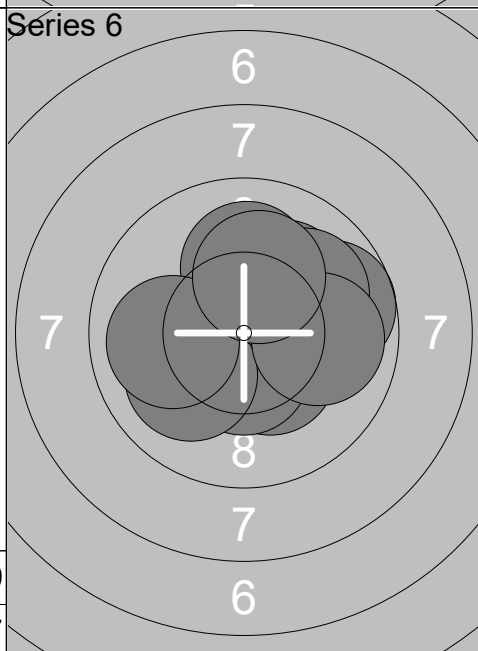
1:	10.8x →
2:	10.8x ↑
3:	10.2x ↗
4:	10.1 ←
5:	10.1 →
6:	9.4 →
7:	9.8 ↗
8:	9.5 ↓
9:	10.4x ↘
10:	9.2 ↘
<b>Series</b>	<b>100.3</b>
	<b>305.5</b>



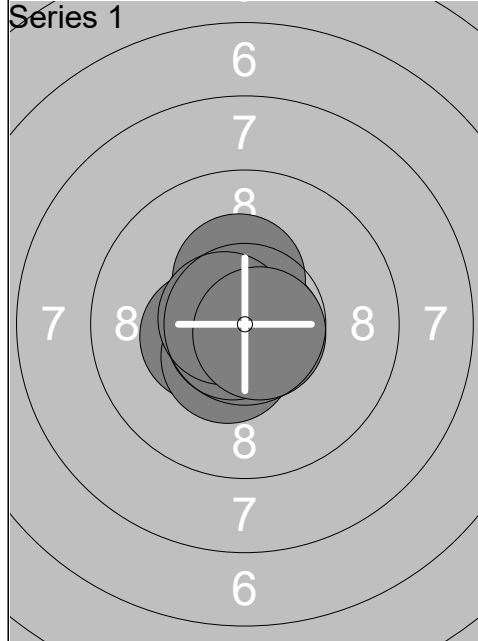
1:	10.5x ↘
2:	9.3 ↓
3:	10.3x ↘
4:	9.4 ↓
5:	9.7 ↓
6:	10.1 →
7:	9.2 ←
8:	10.4x ↓
9:	10.7x →
10:	9.7 →
<b>Series</b>	<b>99.3</b>
	<b>404.8</b>



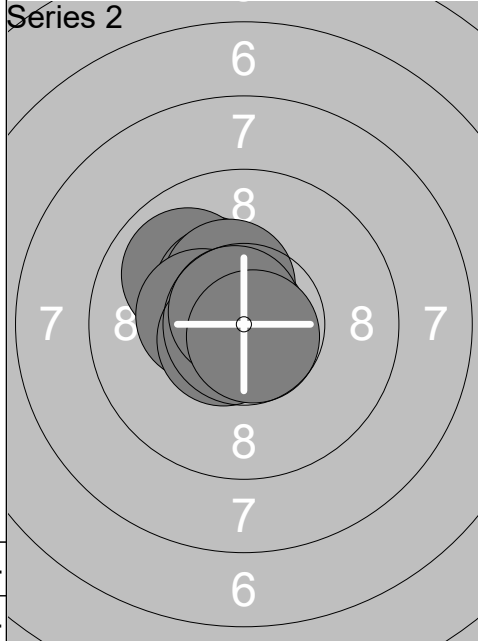
1:	10.1 ↓
2:	9.9 ↗
3:	10.4x ←
4:	10.2x ↑
5:	10.3x ↗
6:	10.0 ↑
7:	10.5x ←
8:	10.3x ↘
9:	9.0 ↑
10:	10.2x →
<b>Series</b>	<b>100.9</b>
	<b>505.7</b>



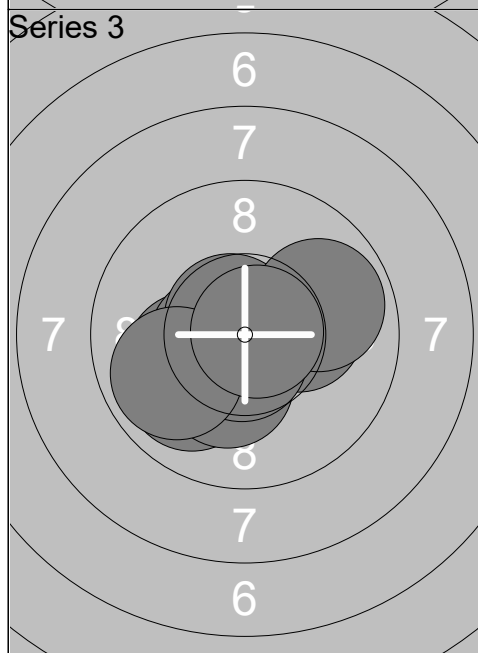
1:	10.1 ↑
2:	10.4x ↘
3:	10.5x ↓
4:	10.0 ↙
5:	10.1 ↗
6:	9.7 →
7:	10.0 ↗
8:	10.0 ←
9:	9.9 →
10:	10.2x ↑
<b>Series</b>	<b>100.9</b>
	<b>606.6</b>



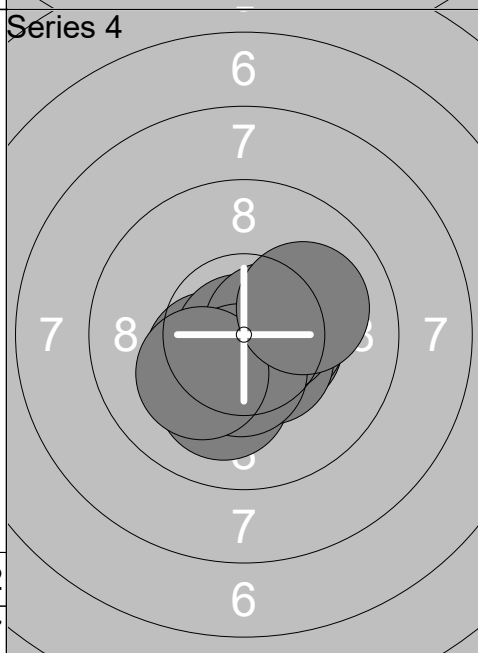
1:	10.8x	↘
2:	10.8x	↗
3:	10.4x	↙
4:	10.6x	↗
5:	10.8x	↘
6:	10.3x	↗
7:	10.5x	↘
8:	10.8x	↙
9:	10.7x	↙
10:	10.7x	↗
<b>Series</b>		<b>106.4</b>
		<b>106.4</b>



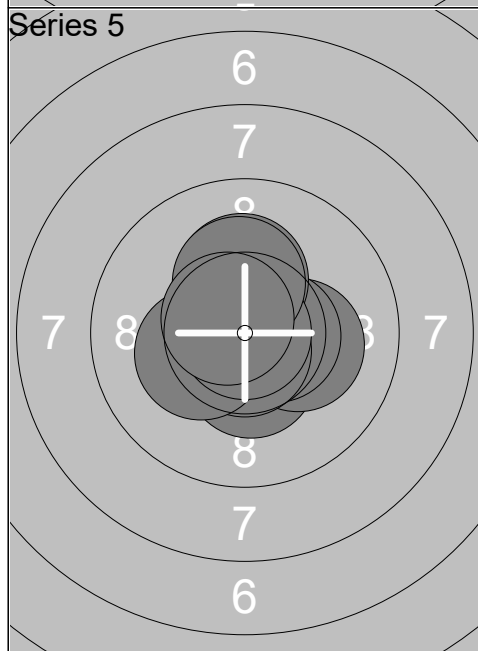
1:	10.2x	↖
2:	10.8x	↙
3:	9.9	↗
4:	10.4x	↗
5:	10.9x	↖
6:	10.4x	↗
7:	10.4x	↙
8:	10.6x	↙
9:	10.7x	↖
10:	10.8x	↘
<b>Series</b>		<b>105.1</b>
		<b>211.5</b>



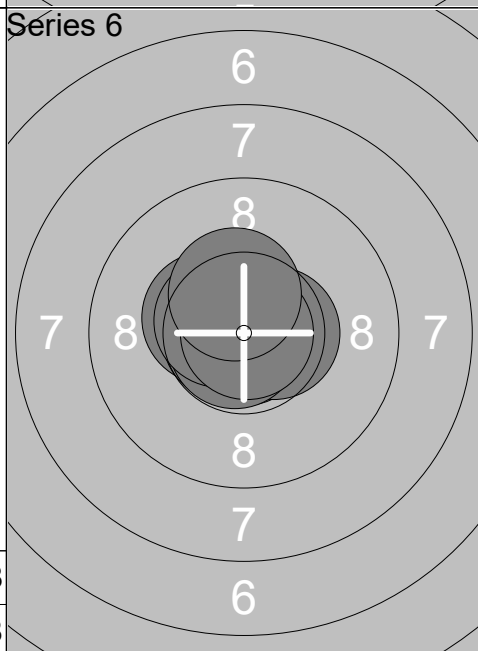
1:	10.0	↙
2:	10.2x	↙
3:	10.3x	↘
4:	10.5x	↙
5:	10.2x	↗
6:	10.7x	↘
7:	10.7x	↖
8:	9.9	↗
9:	9.9	↙
10:	10.8x	↗
<b>Series</b>		<b>103.2</b>
		<b>314.7</b>



1:	10.5x	↗
2:	10.4x	↙
3:	10.9x	↘
4:	10.1	↘
5:	10.5x	↗
6:	10.5x	↘
7:	10.6x	↗
8:	10.5x	↘
9:	10.2x	↙
10:	10.1	↗
<b>Series</b>		<b>104.3</b>
		<b>419.0</b>



1:	10.4x	↘
2:	10.2x	↗
3:	10.7x	↖
4:	10.5x	↗
5:	10.7x	↘
6:	10.2x	↗
7:	10.3x	↙
8:	10.9x	
9:	10.3x	↗
10:	10.6x	↖
<b>Series</b>		<b>104.8</b>
		<b>523.8</b>



1:	10.6x	↖
2:	10.4x	↙
3:	10.9x	↘
4:	10.7x	↙
5:	10.6x	↗
6:	10.7x	↙
7:	10.8x	↙
8:	10.6x	↙
9:	10.9x	↗
10:	10.4x	↗
<b>Series</b>		<b>106.6</b>
		<b>630.4</b>