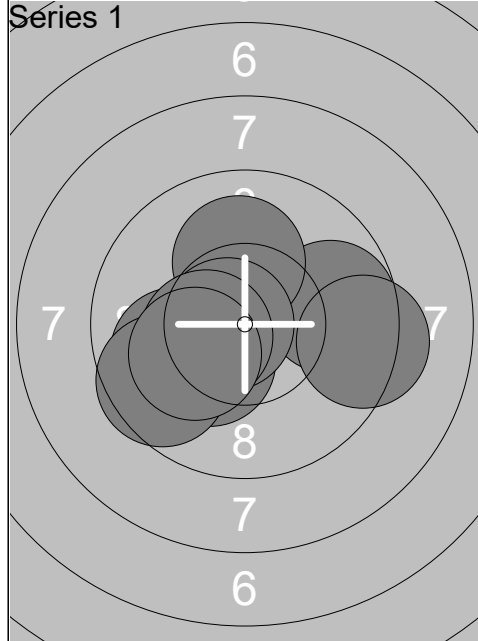
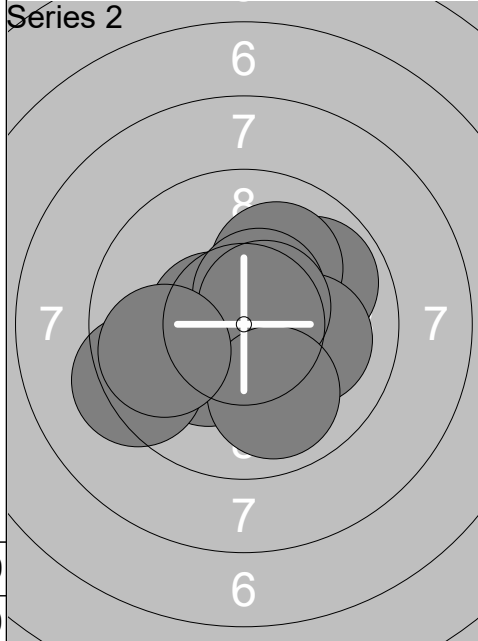


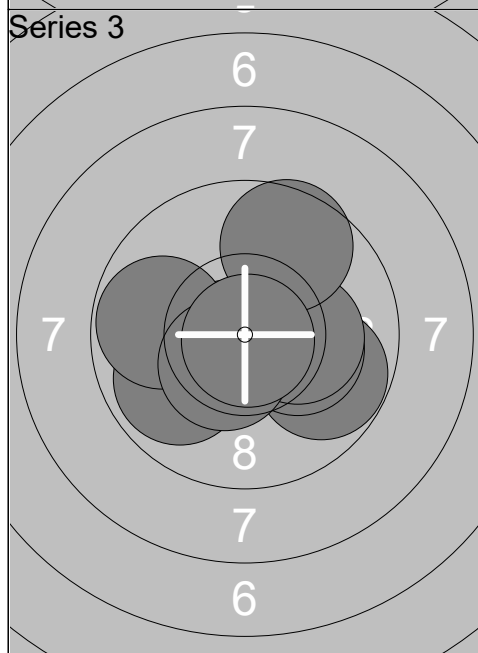
Relay	Lane	Raisa Brytvina		
5	17	SWE	WJ	R
Qual Day 2		Denmark Open Air 2026		Denmark Open Air 2026
11.02.2026				
<b>Series 1</b> 	1: 9.7 →	<b>Series 2</b> 	1: 9.7 ↗	
	2: 10.3x ↓		2: 9.8 ←	
	3: 10.5x ↓		3: 10.2x ↗	
	4: 10.1 ↙		4: 8.2 ←	
	5: 8.7 →		5: 9.2 ←	
	6: 10.0 →		6: 9.2 ←	
	7: 9.8 →		7: 10.7x ↓	
	8: 9.8 →		8: 10.2x →	
	9: 9.5 ←		9: 9.9 ↓	
	10: 9.2 ↓		10: 8.0 ↖	
	<b>Series</b> 97.6	<b>Series</b> 95.1		
	97.6		192.7	
<b>Series 3</b> 	1: 9.2 ←	<b>Series 4</b> 	1: 8.7 ←	
	2: 9.2 ←		2: 10.5x →	
	3: 9.5 →		3: 7.0 →	
	4: 9.5 →		4: 10.5x ↗	
	5: 9.3 ↓		5: 9.3 ↑	
	6: 9.2 ↙		6: 10.4x ↗	
	7: 9.1 ↓		7: 9.6 ↘	
	8: 9.7 ↓		8: 8.7 ↖	
	9: 9.0 ↗		9: 10.7x →	
	10: 8.9 ↓		10: 8.9 ↗	
	<b>Series</b> 92.6	<b>Series</b> 94.3		
	285.3		379.6	
<b>Series 5</b> 	1: 10.5x ←	<b>Series 6</b> 	1: 9.8 ←	
	2: 8.0 ↗		2: 9.5 →	
	3: 8.9 →		3: 8.1 ←	
	4: 9.0 ↑		4: 9.6 ↗	
	5: 10.4x ↗		5: 9.5 ↓	
	6: 10.1 ↙		6: 8.9 ↓	
	7: 10.1 ↖		7: 10.3x →	
	8: 9.5 ↓		8: 10.3x ↘	
	9: 9.5 ↗		9: 9.0 ←	
	10: 10.1 ↙		10: 6.9 →	
	<b>Series</b> 96.1	<b>Series</b> 91.9		
	475.7		567.6	



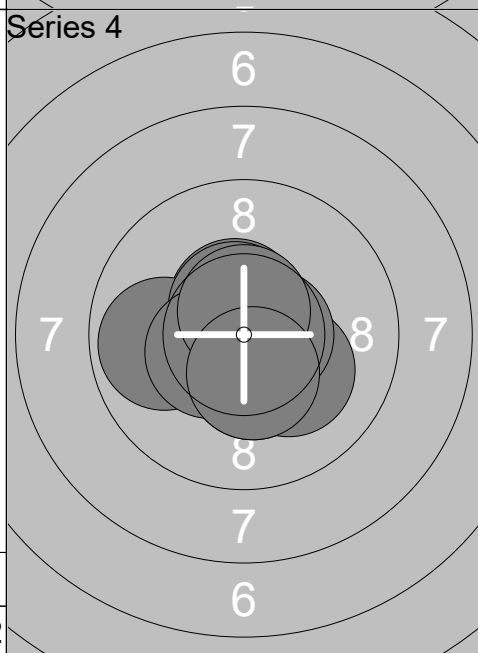
1:	9.8	→
2:	9.3	→
3:	10.0	←
4:	10.1	↑
5:	10.7x	←
6:	10.3x	↙
7:	10.7x	←
8:	10.4x	←
9:	9.6	↙
10:	10.1	↙
<b>Series</b>	<b>101.0</b>	
	<b>101.0</b>	



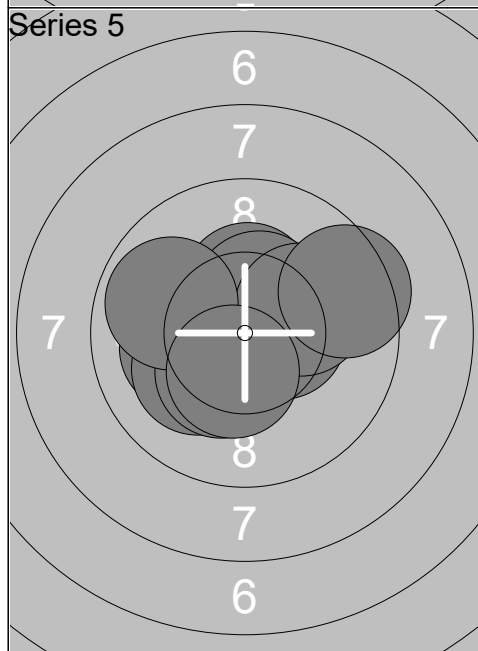
1:	9.9	↗
2:	10.1	↗
3:	10.1	→
4:	10.5x	←
5:	10.5x	↗
6:	10.3x	↙
7:	9.3	↙
8:	10.6x	↗
9:	10.0	↘
10:	9.8	←
<b>Series</b>	<b>101.1</b>	
	<b>202.1</b>	



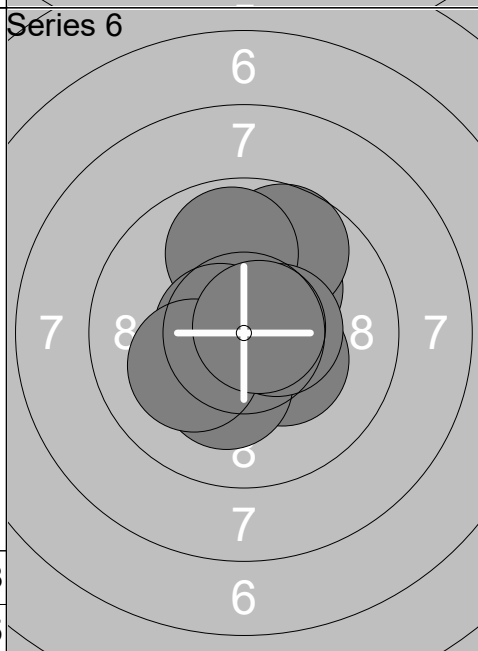
1:	10.7x	↙
2:	10.5x	←
3:	9.9	↙
4:	9.8	→
5:	9.8	←
6:	10.2x	→
7:	10.2x	→
8:	10.5x	↙
9:	9.6	↗
10:	10.9x	↘
<b>Series</b>	<b>102.1</b>	
	<b>304.2</b>	



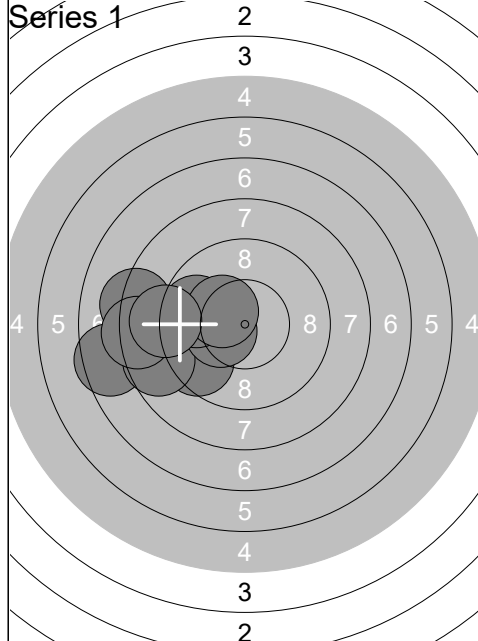
1:	10.4x	↘
2:	10.5x	↗
3:	10.8x	↗
4:	9.9	←
5:	10.6x	↗
6:	10.5x	←
7:	10.2x	↘
8:	10.6x	→
9:	10.6x	↗
10:	10.4x	↘
<b>Series</b>	<b>104.5</b>	
	<b>408.7</b>	



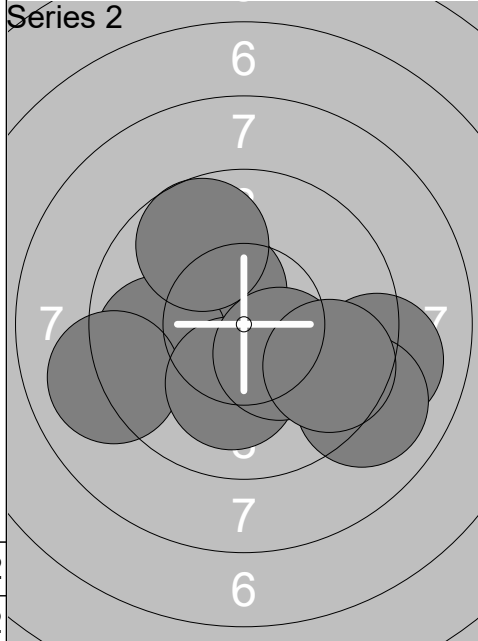
1:	10.1	←
2:	10.5x	→
3:	10.2x	↙
4:	10.3x	↙
5:	10.3x	↑
6:	10.5x	↗
7:	10.1	↗
8:	9.5	→
9:	9.9	←
10:	10.4x	↘
<b>Series</b>	<b>101.8</b>	
	<b>510.5</b>	



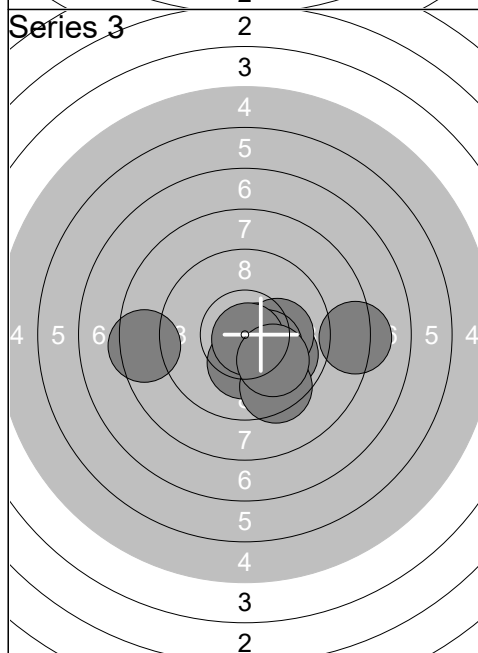
1:	10.6x	↙
2:	10.2x	↗
3:	9.7	↗
4:	10.3x	↘
5:	10.2x	↘
6:	9.9	↑
7:	10.5x	→
8:	10.6x	←
9:	10.2x	↙
10:	10.8x	↗
<b>Series</b>	<b>103.0</b>	
	<b>613.5</b>	



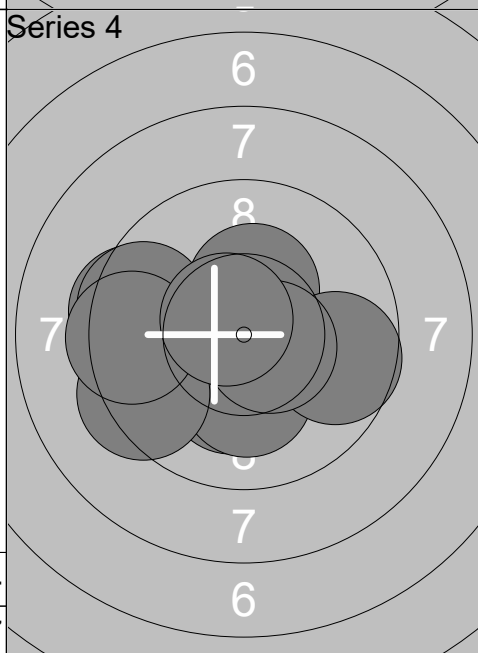
1:	9.7	←
2:	8.2	←
3:	9.5	↙
4:	7.5	←
5:	8.7	←
6:	10.3x	←
7:	9.7	←
8:	8.3	←
9:	10.3x	↖
10:	9.0	←
<b>Series</b>	<b>91.2</b>	
	<b>91.2</b>	



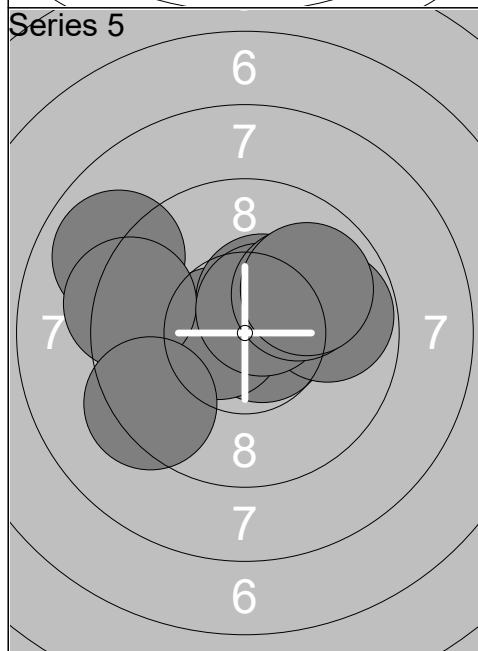
1:	10.1	←
2:	10.4x	↗
3:	9.8	←
4:	9.1	→
5:	9.7	↗
6:	9.0	←
7:	9.0	↘
8:	10.1	↓
9:	10.3x	↘
10:	9.6	→
<b>Series</b>	<b>97.1</b>	
	<b>188.3</b>	



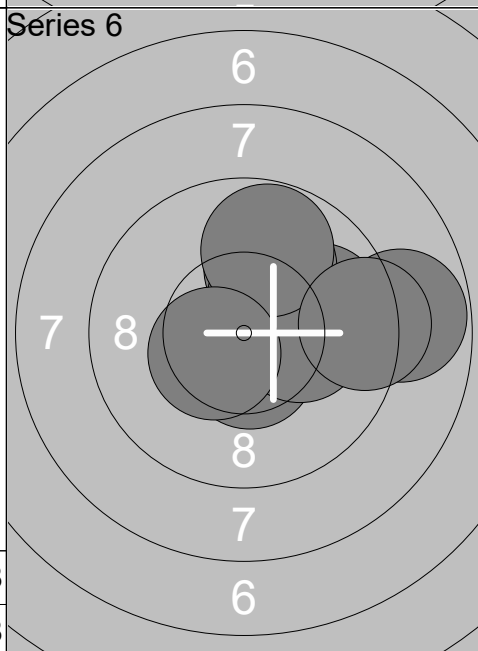
1:	10.6x	→
2:	9.9	→
3:	10.2x	→
4:	10.4x	→
5:	10.3x	↓
6:	10.8x	↘
7:	9.5	↓
8:	8.2	→
9:	10.0	↘
10:	8.5	←
<b>Series</b>	<b>98.4</b>	
	<b>286.7</b>	



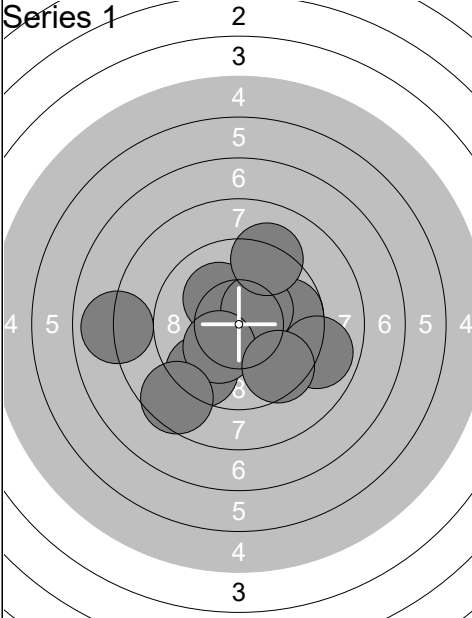
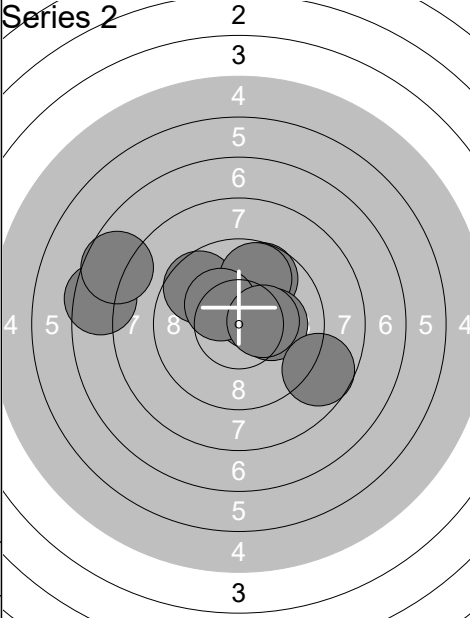
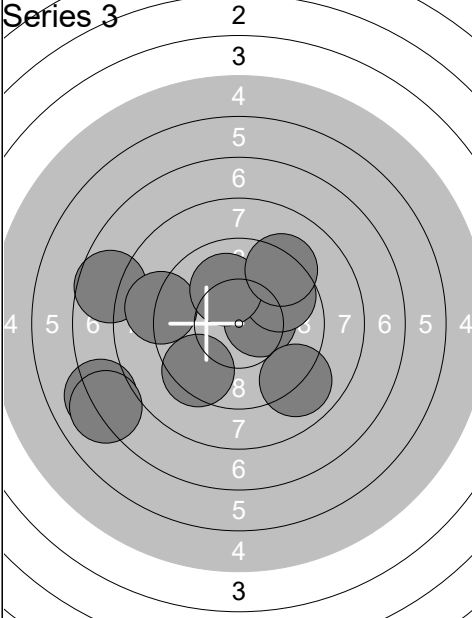
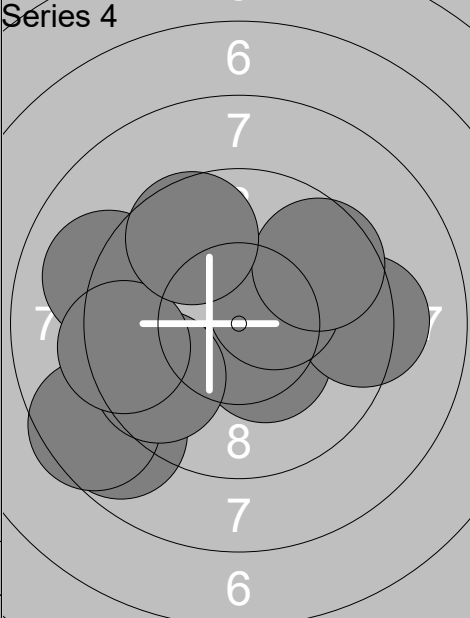
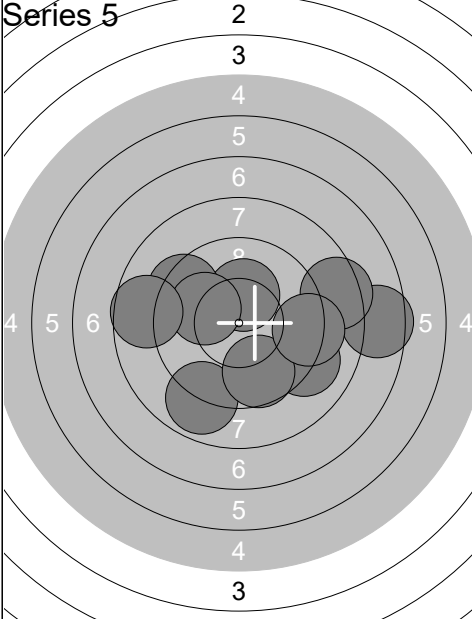
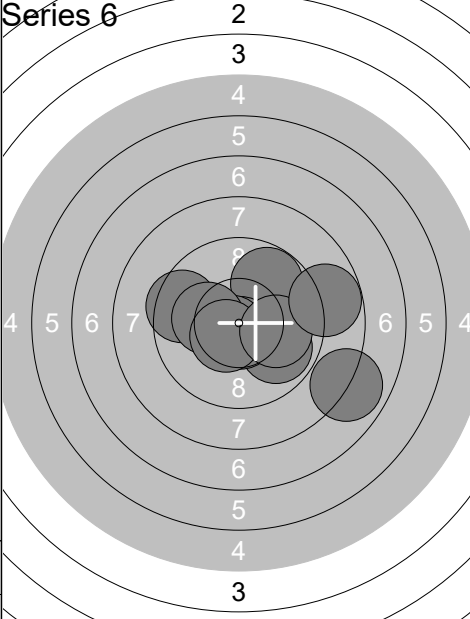
1:	10.2x	↓
2:	10.2x	↓
3:	10.3x	↑
4:	9.4	←
5:	9.7	→
6:	9.6	←
7:	9.4	←
8:	9.4	←
9:	10.5x	→
10:	10.6x	↖
<b>Series</b>	<b>99.3</b>	
	<b>386.0</b>	

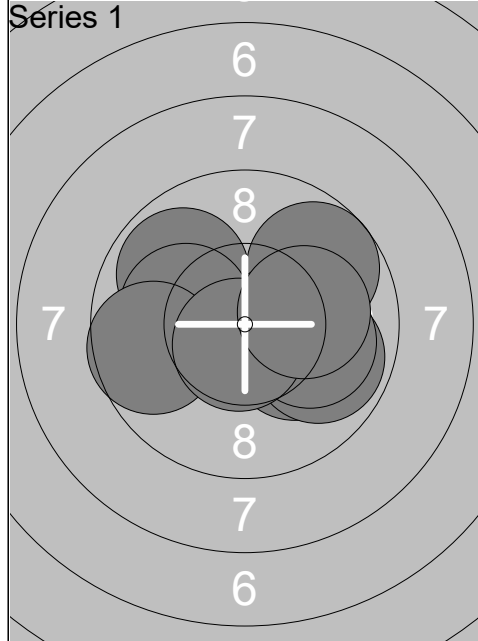


1:	10.7x	→
2:	10.6x	←
3:	10.5x	↗
4:	8.9	←
5:	9.8	→
6:	9.4	←
7:	9.4	←
8:	10.5x	↗
9:	10.1	↗
10:	9.9	↗
<b>Series</b>	<b>99.8</b>	
	<b>485.8</b>	

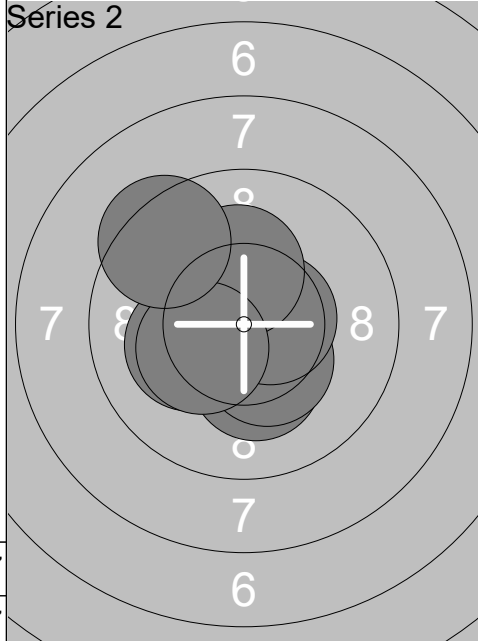


1:	10.6x	↓
2:	10.5x	→
3:	9.9	→
4:	10.0	↗
5:	10.4x	↗
6:	10.2x	→
7:	8.8	→
8:	9.8	↗
9:	9.3	→
10:	10.5x	↙
<b>Series</b>	<b>100.0</b>	
	<b>585.8</b>	

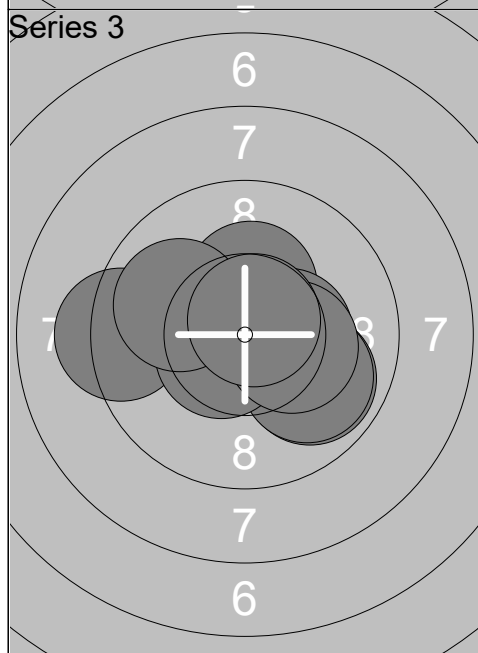
Relay	Lane	Nelli Johansson			
5	20	SWE		WJ	R
11.02.2026		Denmark Open Air 2026		Denmark Open Air 2026	
Series 1		1: 9.5 ↙	Series 2		1: 10.5x ↗
		2: 9.7 →			2: 7.5 ←
		3: 8.9 →			3: 9.6 ↖
		4: 10.1 ↗			4: 9.7 ↗
		5: 10.4x ↗			5: 9.8 ↗
		6: 7.9 ←			6: 7.6 ←
		7: 10.2x ↙			7: 10.1 →
		8: 8.6 ↙			8: 10.3x ↖
		9: 9.5 ↘			9: 8.7 ↘
		10: 9.2 ↗			10: 10.3x →
		Series 94.0		Series 94.1	
		94.0		188.1	
Series 3		1: 7.7 ←	Series 4		1: 10.4x ↘
		2: 7.1 ←			2: 9.3 →
		3: 9.4 ↘			3: 8.8 ↘
		4: 9.0 ←			4: 8.6 ↘
		5: 10.4x →			5: 10.4x ↗
		6: 7.1 ←			6: 9.7 ↘
		7: 9.8 ↗			7: 9.1 ←
		8: 10.1 ↗			8: 9.6 ↗
		9: 9.0 ↘			9: 9.4 ←
		10: 9.3 ↗			10: 9.6 ↖
		Series 88.9		Series 94.9	
		277.0		371.9	
Series 5		1: 7.6 →	Series 6		1: 9.9 ↘
		2: 8.4 →			2: 9.8 ↗
		3: 10.3x ↗			3: 10.7x ↘
		4: 9.4 ↖			4: 7.9 ↘
		5: 10.0 ↖			5: 9.5 ←
		6: 8.9 ↘			6: 10.7x ↘
		7: 8.7 ←			7: 10.2x ←
		8: 9.1 ↘			8: 10.5x ↘
		9: 9.7 ↘			9: 10.0 →
		10: 9.2 →			10: 8.7 →
		Series 91.3		Series 97.9	
		463.2		561.1	



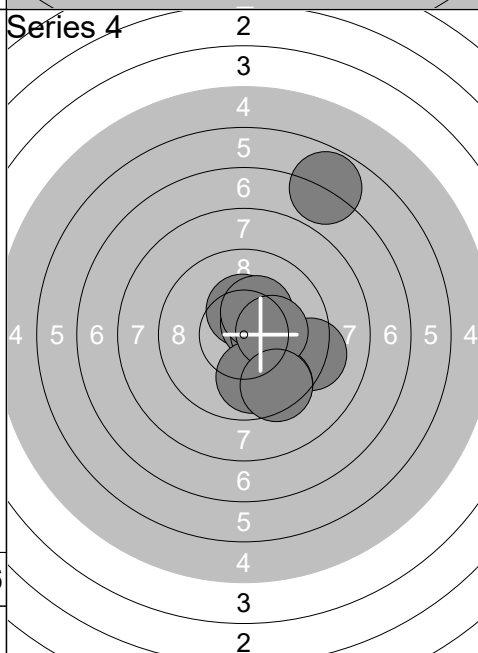
1:	10.2x	↘
2:	9.9	↖
3:	9.8	↘
4:	10.1	↖
5:	9.8	↗
6:	10.4x	→
7:	9.7	←
8:	10.0	→
9:	10.7x	↓
10:	10.1	→
<b>Series</b>	<b>100.7</b>	
	<b>100.7</b>	



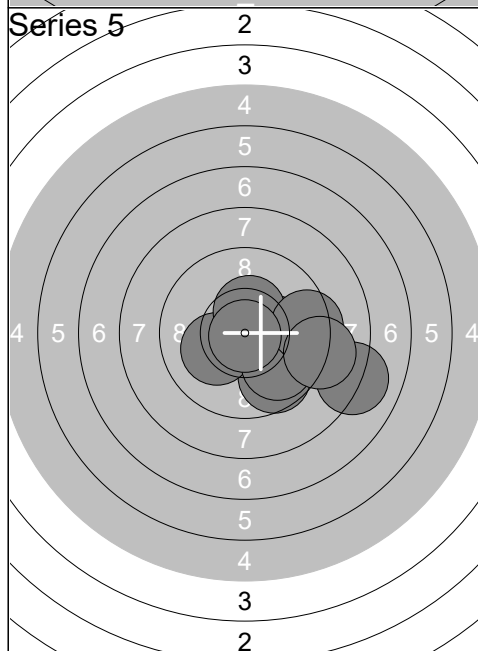
1:	10.2x	↖
2:	10.7x	→
3:	10.5x	↖
4:	10.2x	↓
5:	10.3x	↖
6:	10.4x	↓
7:	10.6x	→
8:	10.2x	↑
9:	10.3x	↖
10:	9.4	↖
<b>Series</b>	<b>102.8</b>	
	<b>203.5</b>	



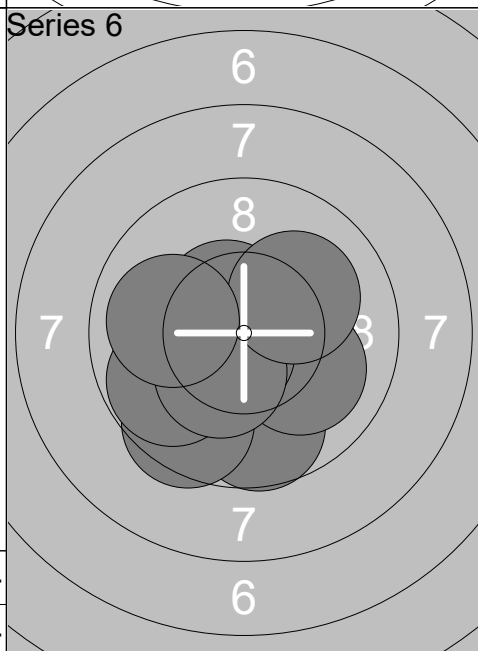
1:	10.3x	↑
2:	10.1	↖
3:	9.9	↘
4:	9.3	←
5:	10.0	↘
6:	10.6x	↖
7:	10.4x	→
8:	10.0	↖
9:	10.3x	→
10:	10.7x	↗
<b>Series</b>	<b>101.6</b>	
	<b>305.1</b>	



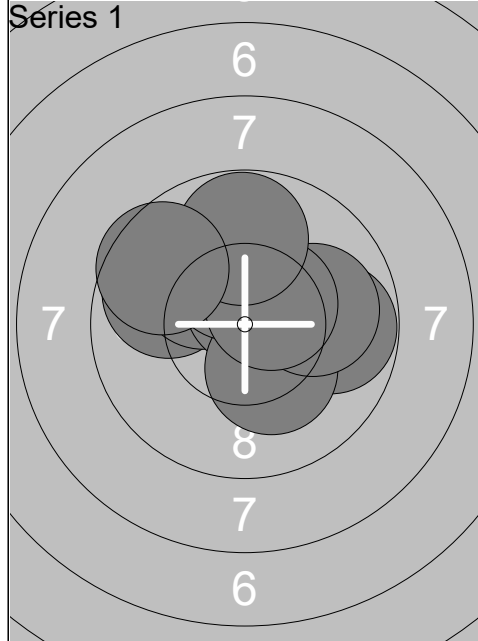
1:	10.4x	↑
2:	6.8	↗
3:	10.5x	↗
4:	10.4x	→
5:	9.3	→
6:	9.5	↘
7:	10.3x	↗
8:	9.9	↓
9:	10.3x	→
10:	9.5	↘
<b>Series</b>	<b>96.9</b>	
	<b>402.0</b>	



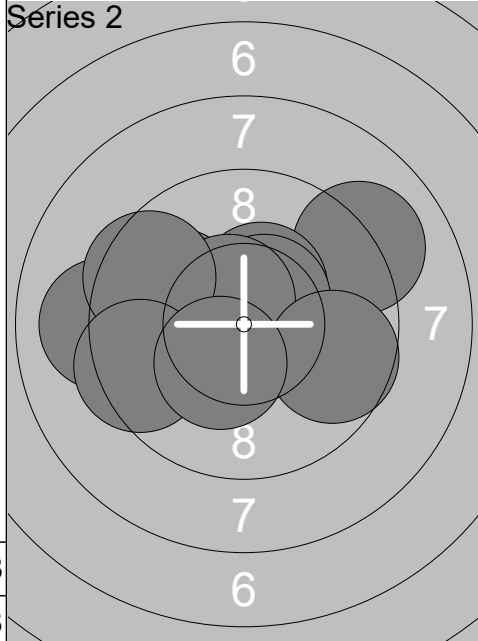
1:	10.3x	→
2:	9.6	↘
3:	8.1	↘
4:	10.2x	↖
5:	10.6x	↗
6:	10.4x	↑
7:	9.9	↘
8:	9.4	→
9:	10.9x	↓
10:	9.0	→
<b>Series</b>	<b>98.4</b>	
	<b>500.4</b>	



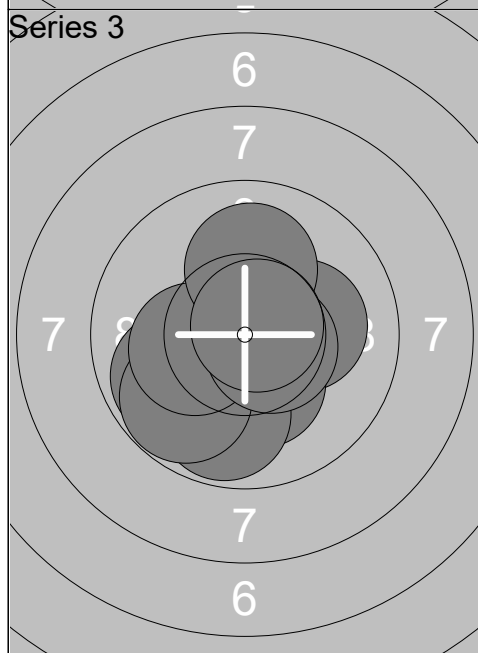
1:	9.7	↓
2:	10.5x	→
3:	9.5	↘
4:	10.1	↘
5:	10.6x	↖
6:	9.8	↖
7:	10.5x	↖
8:	10.3x	↖
9:	10.1	↗
10:	10.0	←
<b>Series</b>	<b>101.1</b>	
	<b>601.5</b>	



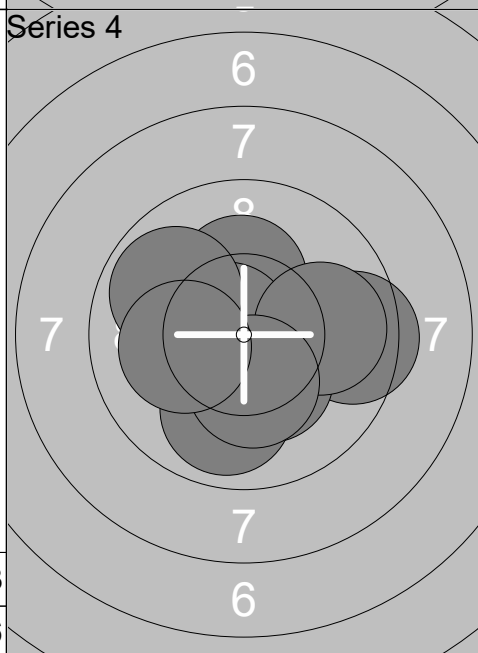
1:	9.8	→
2:	9.8	←
3:	10.2x	↖
4:	10.6x	↗
5:	10.2x	↘
6:	10.0	→
7:	10.3x	↗
8:	10.5x	↗
9:	9.8	↑
10:	9.6	↖
<b>Series</b>	<b>100.8</b>	
	<b>100.8</b>	



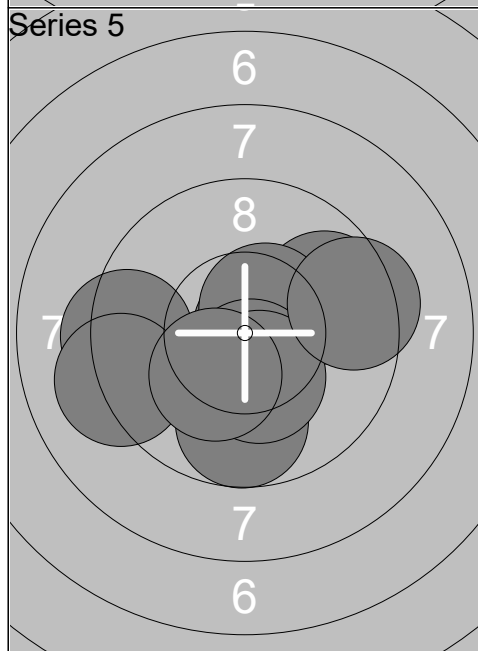
1:	9.1	←
2:	9.1	↗
3:	10.4x	↗
4:	9.9	↖
5:	10.5x	↗
6:	10.6x	↖
7:	9.5	↖
8:	9.4	↖
9:	9.7	→
10:	10.3x	↘
<b>Series</b>	<b>98.5</b>	
	<b>199.3</b>	



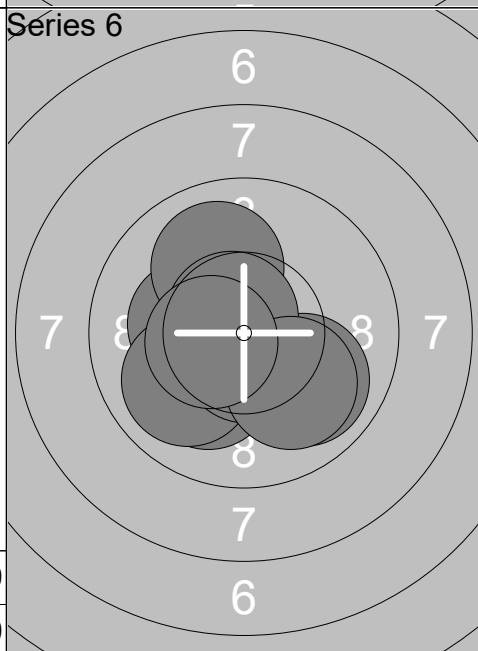
1:	10.2x	→
2:	10.3x	↘
3:	10.7x	↘
4:	9.9	↖
5:	9.8	↘
6:	9.8	↘
7:	10.2x	↖
8:	10.1	↑
9:	10.5x	→
10:	10.8x	↗
<b>Series</b>	<b>102.3</b>	
	<b>301.6</b>	



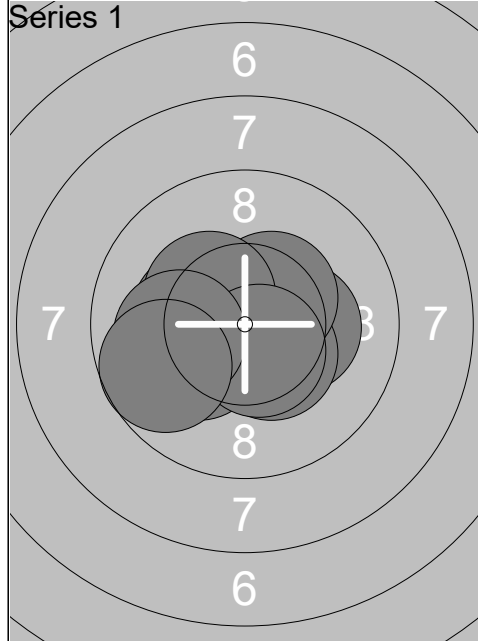
1:	9.5	→
2:	10.6x	↖
3:	10.2x	↑
4:	10.3x	↘
5:	10.7x	↖
6:	9.9	→
7:	9.9	↘
8:	9.9	↖
9:	10.3x	↘
10:	10.1	←
<b>Series</b>	<b>101.4</b>	
	<b>403.0</b>	



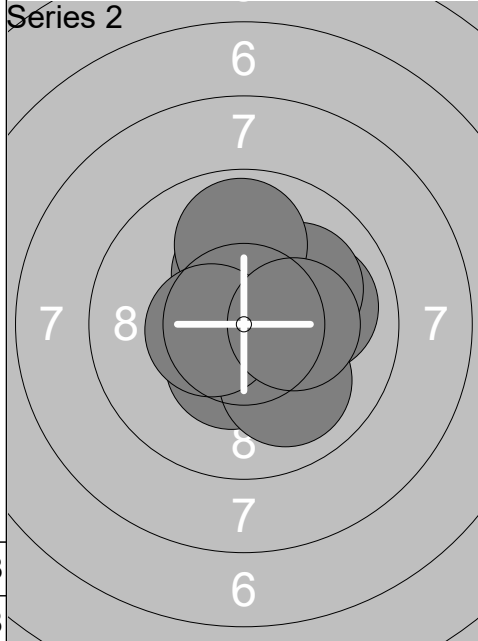
1:	9.8	↗
2:	9.8	↘
3:	10.8x	→
4:	10.5x	↗
5:	10.5x	↘
6:	9.3	←
7:	10.3x	↘
8:	9.4	→
9:	9.2	←
10:	10.3x	↘
<b>Series</b>	<b>99.9</b>	
	<b>502.9</b>	



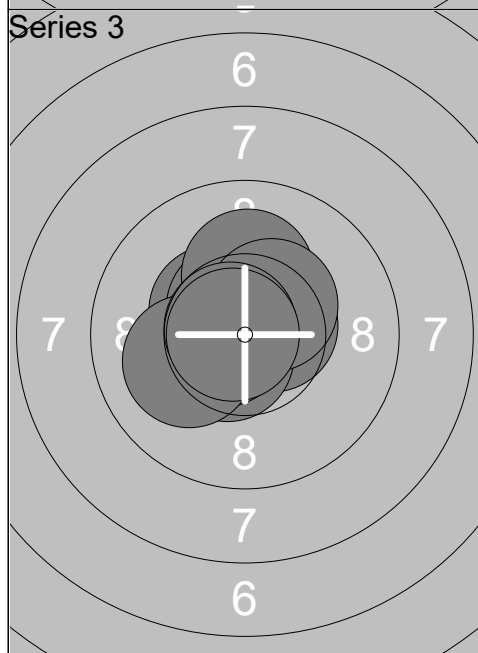
1:	10.1	↘
2:	10.6x	↖
3:	10.3x	↖
4:	10.0	↖
5:	10.6x	↘
6:	10.0	↑
7:	9.9	↘
8:	10.7x	↖
9:	10.0	↘
10:	10.5x	↖
<b>Series</b>	<b>102.7</b>	
	<b>605.6</b>	



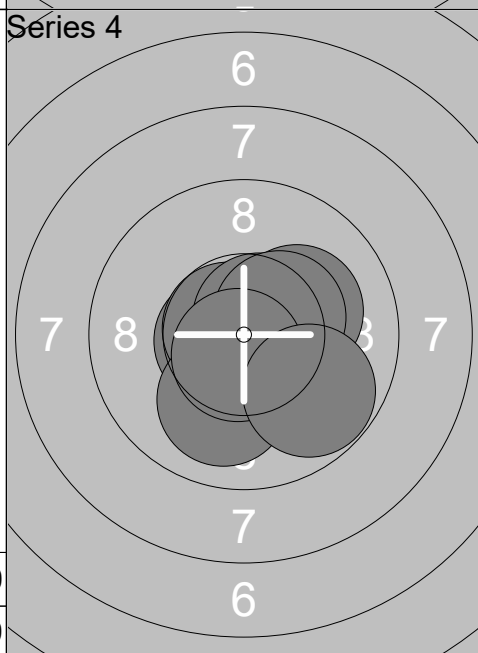
1:	10.3x →
2:	10.2x ↙
3:	10.3x ←
4:	10.4x ↘
5:	10.4x ↗
6:	10.4x ↙
7:	10.3x ↙
8:	10.6x ↘
9:	10.1 ←
10:	9.8 ↙
<b>Series</b>	<b>102.8</b>
	<b>102.8</b>



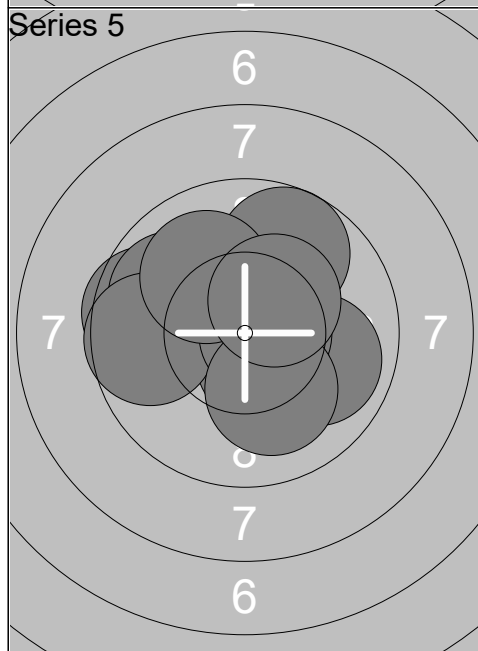
1:	10.9x ←
2:	10.0 →
3:	10.1 ↗
4:	10.3x ↑
5:	10.4x ↘
6:	10.7x →
7:	9.9 ↑
8:	10.0 ↘
9:	10.5x ←
10:	10.3x →
<b>Series</b>	<b>103.1</b>
	<b>205.9</b>



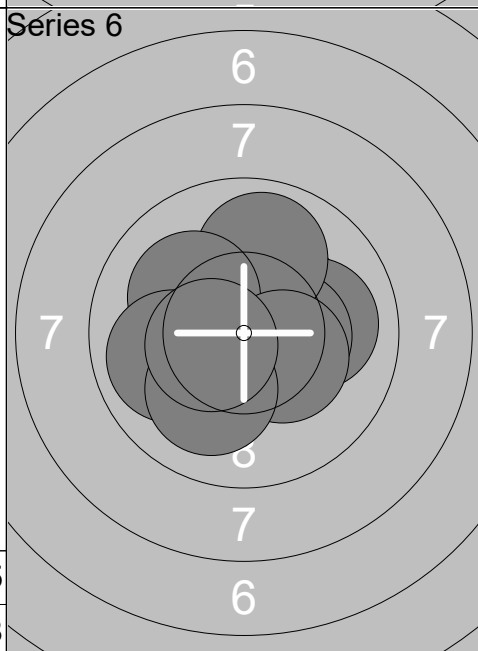
1:	10.4x ↙
2:	10.6x →
3:	10.6x ↘
4:	10.6x ↗
5:	10.6x ←
6:	10.1 ←
7:	10.2x ↑
8:	10.4x ↗
9:	10.7x ↙
10:	10.8x ←
<b>Series</b>	<b>105.0</b>
	<b>310.9</b>



1:	10.5x ↘
2:	10.6x ←
3:	10.2x →
4:	10.8x ↘
5:	10.8x ↙
6:	10.7x ↗
7:	10.0 ↘
8:	10.4x →
9:	10.6x ↘
10:	9.8 ↘
<b>Series</b>	<b>104.4</b>
	<b>415.3</b>



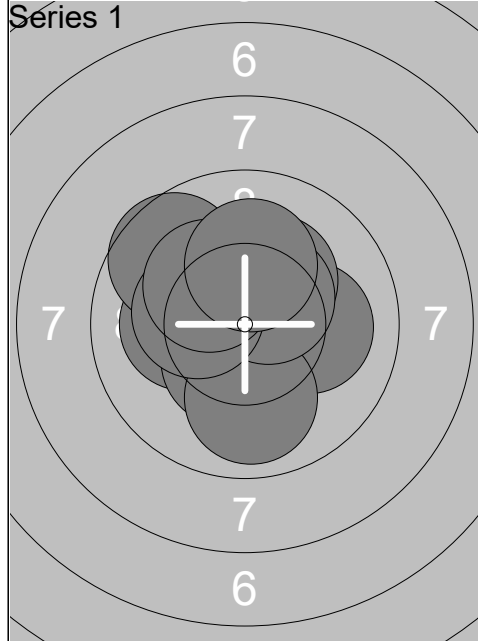
1:	9.6 ←
2:	9.9 ↙
3:	9.9 →
4:	10.5x ↘
5:	9.7 ←
6:	9.8 ↗
7:	10.7x →
8:	10.0 ↗
9:	10.1 ↘
10:	10.3x ↗
<b>Series</b>	<b>100.5</b>
	<b>515.8</b>



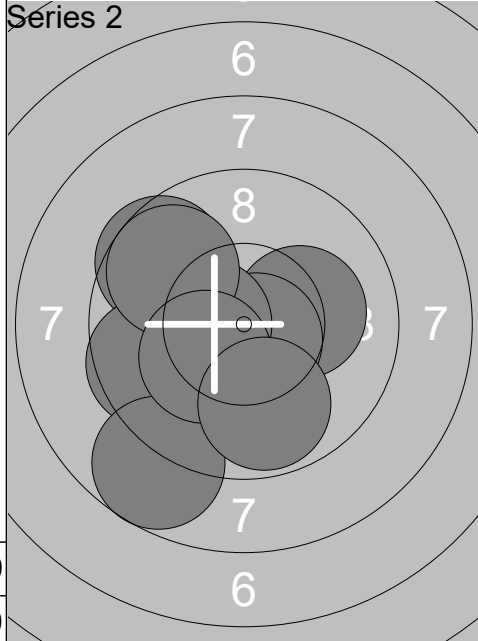
1:	10.6x ↗
2:	10.3x ↗
3:	10.0 →
4:	10.4x →
5:	9.9 ↑
6:	10.1 ↙
7:	10.3x ↘
8:	9.9 ←
9:	10.1 ↘
10:	10.5x ←
<b>Series</b>	<b>102.1</b>
	<b>617.9</b>

Relay	Lane	Lone Jarlind Mauland			
Qual Day 2		NOR		WJ	R
11.02.2026		Denmark Open Air 2026		Denmark Open Air 2026	
<b>Series 1</b> 	1: 10.0 ↙	<b>Series 2</b> 	1: 10.0 ↗		
	2: 10.4x ↓		2: 9.6 ↗		
	3: 10.5x ↘		3: 10.7x ↘		
	4: 10.8x →		4: 10.6x ↗		
	5: 10.3x ↑		5: 10.8x ↖		
	6: 9.7 ↑		6: 10.6x ←		
	7: 10.9x ←		7: 10.4x ↖		
	8: 10.0 ↑		8: 10.0 ←		
	9: 10.0 ↗		9: 10.5x ↓		
	10: 10.3x ↓		10: 9.9 ↗		
	<b>Series</b> 102.9		<b>Series</b> 103.1		
	102.9		206.0		
<b>Series 3</b> 	1: 10.1 ↗	<b>Series 4</b> 	1: 9.9 ←		
	2: 10.8x ↗		2: 10.8x ←		
	3: 10.4x ↖		3: 10.5x ↘		
	4: 10.7x ↑		4: 10.1 ←		
	5: 10.0 ↗		5: 9.6 ↗		
	6: 10.3x ↓		6: 10.1 →		
	7: 10.6x ←		7: 9.8 ↗		
	8: 10.4x ↗		8: 10.7x ↗		
	9: 10.4x ←		9: 10.4x ↘		
	10: 10.6x →		10: 10.1 ←		
	<b>Series</b> 104.3		<b>Series</b> 102.0		
	310.3		412.3		
<b>Series 5</b> 	1: 10.8x ↗	<b>Series 6</b> 	1: 10.4x ↗		
	2: 10.7x ←		2: 10.5x ↓		
	3: 10.4x ↗		3: 9.9 ←		
	4: 9.9 ↑		4: 9.9 ↗		
	5: 10.2x ←		5: 10.9x		
	6: 10.5x ↗		6: 9.9 ↗		
	7: 10.2x ←		7: 10.6x ↘		
	8: 10.4x ↗		8: 10.2x ↗		
	9: 10.1 ↓		9: 10.3x ↗		
	10: 10.3x →		10: 10.1 ↖		
	<b>Series</b> 103.5		<b>Series</b> 102.7		
	515.8		618.5		

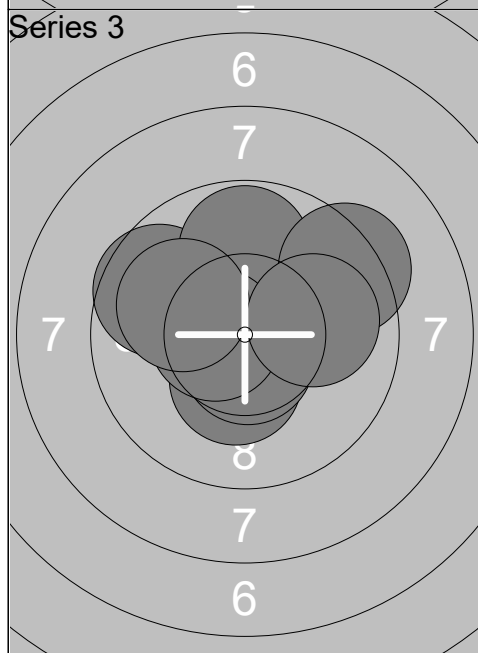
Relay	Lane	Ida Reitz		
5	25			
Qual Day 2		DEN		WJ R
11.02.2026		Denmark Open Air 2026		Denmark Open Air 2026
<b>Series 1</b> 	1: 9.6 ↓	<b>Series 2</b> 	1: 9.3 ↑	
	2: 10.3x ←		2: 9.3 ↖	
	3: 10.7x ↘		3: 10.0 ←	
	4: 8.8 ←		4: 9.7 ↗	
	5: 9.7 ↙		5: 9.8 ←	
	6: 10.7x ↘		6: 8.8 ↗	
	7: 8.8 ↗		7: 10.0 ←	
	8: 9.9 ↖		8: 9.9 ↖	
	9: 8.9 ↗		9: 9.7 ↖	
	10: 9.2 ↖		10: 10.6x ↑	
	<b>Series</b> 96.6	<b>Series</b> 97.1		
	96.6		193.7	
<b>Series 3</b> 	1: 8.7 ←	<b>Series 4</b> 	1: 10.2x ↓	
	2: 10.5x ←		2: 9.6 →	
	3: 10.3x ↑		3: 9.7 ↗	
	4: 9.6 ↖		4: 10.0 ↗	
	5: 9.9 ↙		5: 9.9 ↑	
	6: 9.9 ↑		6: 10.0 →	
	7: 8.5 ↖		7: 10.9x ↗	
	8: 10.4x →		8: 10.5x ↑	
	9: 7.9 →		9: 9.9 ↗	
	10: 9.8 ↙		10: 9.5 ↖	
	<b>Series</b> 95.5	<b>Series</b> 100.2		
	289.2		389.4	
<b>Series 5</b> 	1: 10.3x ←	<b>Series 6</b> 	1: 8.4 ↘	
	2: 10.2x ↓		2: 10.3x ↗	
	3: 10.2x ↑		3: 10.4x ↗	
	4: 10.5x ←		4: 10.8x ←	
	5: 9.5 ↗		5: 9.9 ↑	
	6: 10.2x ↗		6: 10.1 ↙	
	7: 10.4x ↓		7: 9.7 ↙	
	8: 10.4x →		8: 10.7x ↗	
	9: 9.6 ↑		9: 8.7 →	
	10: 10.3x ↗		10: 10.5x ↓	
	<b>Series</b> 101.6	<b>Series</b> 99.5		
	491.0		590.5	



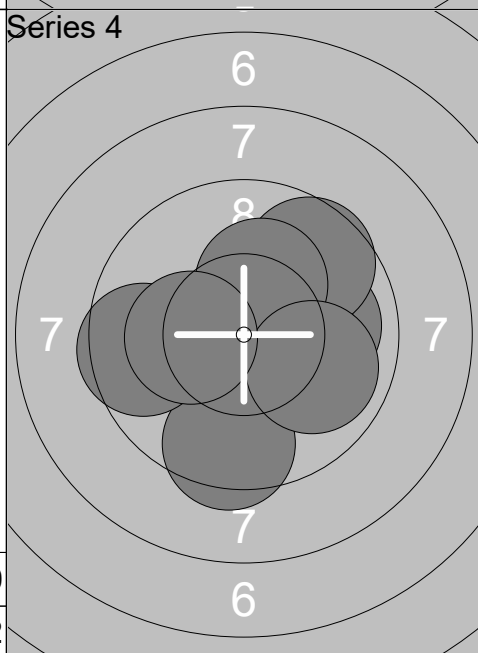
1:	10.2x	←
2:	10.4x	↓
3:	9.6	↖
4:	10.1	→
5:	10.0	↓
6:	10.3x	↗
7:	10.5x	↗
8:	10.3x	←
9:	10.3x	↖
10:	10.2x	↑
<b>Series</b>	<b>101.9</b>	
	<b>101.9</b>	



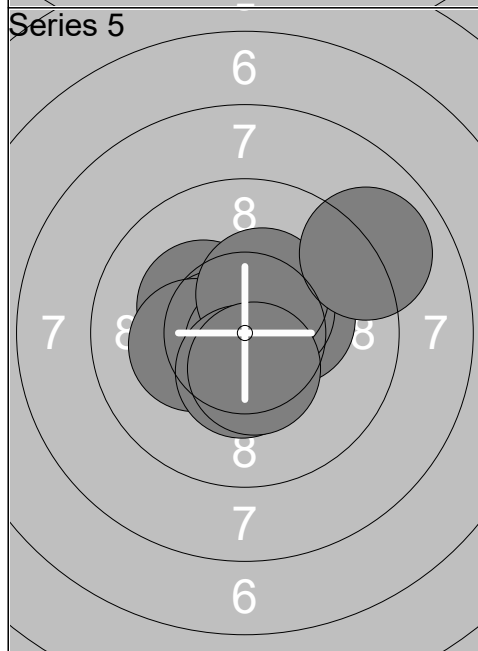
1:	9.6	↖
2:	10.2x	→
3:	10.7x	↓
4:	10.2x	←
5:	10.4x	←
6:	9.6	←
7:	8.8	↓
8:	9.7	↖
9:	10.3x	↙
10:	9.8	↓
<b>Series</b>	<b>99.3</b>	
	<b>201.2</b>	



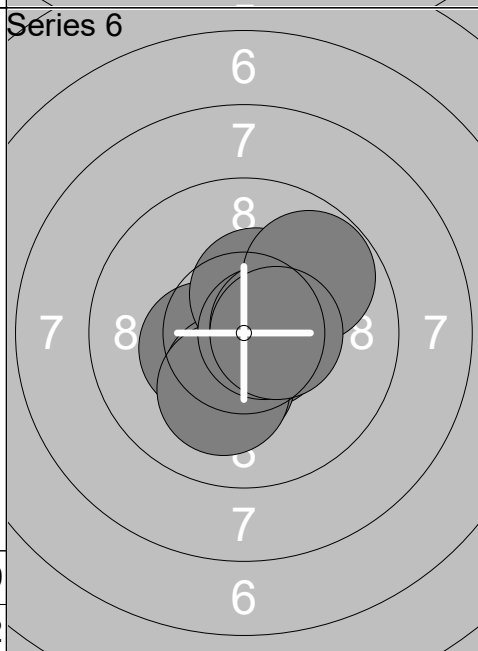
1:	10.3x	↓
2:	10.1	↖
3:	10.6x	↗
4:	9.7	↖
5:	9.8	↑
6:	9.3	↗
7:	10.6x	↓
8:	10.6x	←
9:	10.0	↖
10:	10.0	→
<b>Series</b>	<b>101.0</b>	
	<b>302.2</b>	



1:	10.0	→
2:	10.1	→
3:	10.5x	↗
4:	9.5	↓
5:	10.4x	↗
6:	9.6	←
7:	9.7	↗
8:	10.2x	↑
9:	9.9	→
10:	10.2x	←
<b>Series</b>	<b>100.1</b>	
	<b>402.3</b>	

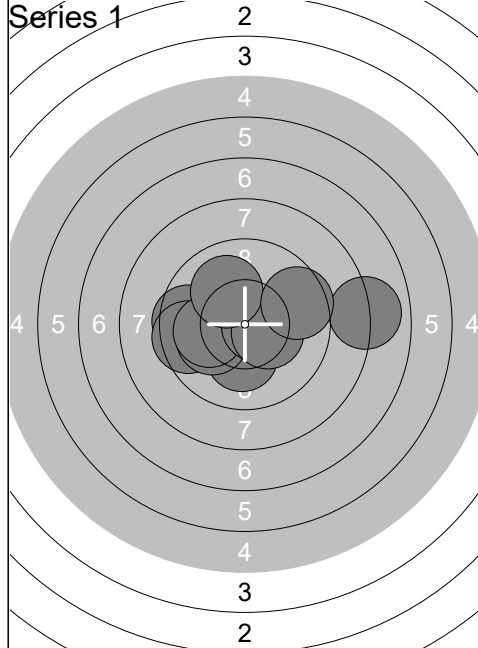


1:	10.3x	↖
2:	10.6x	←
3:	10.2x	←
4:	10.8x	↓
5:	10.3x	→
6:	10.5x	↗
7:	10.4x	↑
8:	10.4x	↓
9:	10.4x	↓
10:	9.0	↗
<b>Series</b>	<b>102.9</b>	
	<b>505.2</b>	

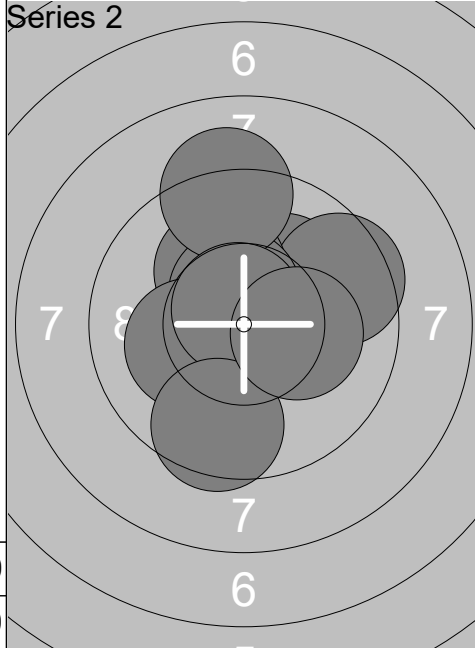


1:	10.4x	←
2:	10.7x	→
3:	10.3x	↓
4:	10.1	↓
5:	10.5x	↗
6:	10.4x	↑
7:	10.7x	→
8:	10.5x	→
9:	9.8	↗
10:	10.5x	→
<b>Series</b>	<b>103.9</b>	
	<b>609.1</b>	

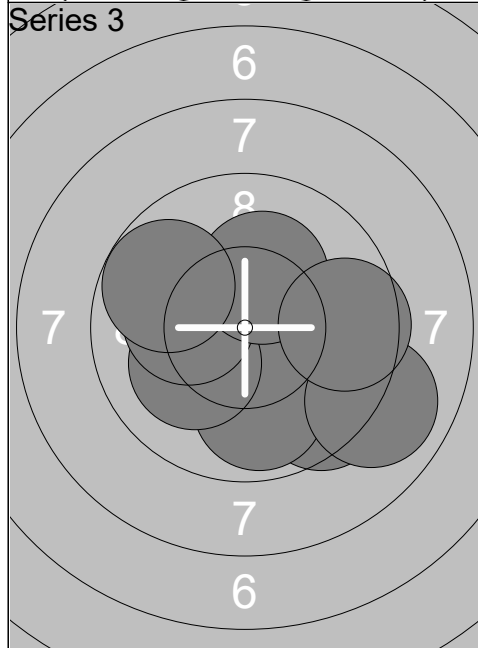
Relay	Lane	Hilde Skrede Valvik		
5	27			
Qual Day 2		NOR		WJ R
11.02.2026		Denmark Open Air 2026		Denmark Open Air 2026
<b>Series 1</b> 	1: 9.7 ➤	<b>Series 2</b> 	1: 10.3x ↑	
	2: 10.3x ↗		2: 10.2x ↓	
	3: 10.1 ←		3: 9.0 ↖	
	4: 10.5x ←		4: 10.4x ↙	
	5: 9.5 ↗		5: 9.0 ➔	
	6: 9.6 ↗		6: 10.3x ←	
	7: 10.3x ←		7: 10.5x ↑	
	8: 10.3x ↘		8: 10.5x ↑	
	9: 10.2x ←		9: 10.3x ↑	
	10: 10.6x ←		10: 10.7x ➔	
	<b>Series</b> 101.1	<b>Series</b> 101.2		
	101.1	202.3		
<b>Series 3</b> 	1: 9.8 ←	<b>Series 4</b> 	1: 10.1 ↖	
	2: 10.1 ➔		2: 8.8 ↓	
	3: 10.1 ↑		3: 10.4x ↑	
	4: 9.7 ←		4: 10.1 ↖	
	5: 8.6 ↑		5: 9.7 ↓	
	6: 9.1 ↙		6: 10.1 ➔	
	7: 8.9 ←		7: 9.6 ↖	
	8: 10.5x ↓		8: 10.5x ➔	
	9: 10.5x ↘		9: 9.3 ↗	
	10: 10.5x ↑		10: 10.0 ↓	
	<b>Series</b> 97.8	<b>Series</b> 98.6		
	300.1	398.7		
<b>Series 5</b> 	1: 10.4x ➔	<b>Series 6</b> 	1: 9.7 ➔	
	2: 8.9 ↗		2: 9.8 ↙	
	3: 8.9 ←		3: 10.1 ↖	
	4: 9.0 ➔		4: 9.4 ↘	
	5: 10.1 ↖		5: 10.0 ↑	
	6: 10.4x ←		6: 9.5 ↖	
	7: 10.1 ↓		7: 10.4x ↙	
	8: 10.9x ←		8: 10.0 ↗	
	9: 8.6 ←		9: 9.6 ↓	
	10: 9.3 ↓		10: 10.4x ↘	
	<b>Series</b> 96.6	<b>Series</b> 98.9		
	495.3	594.2		



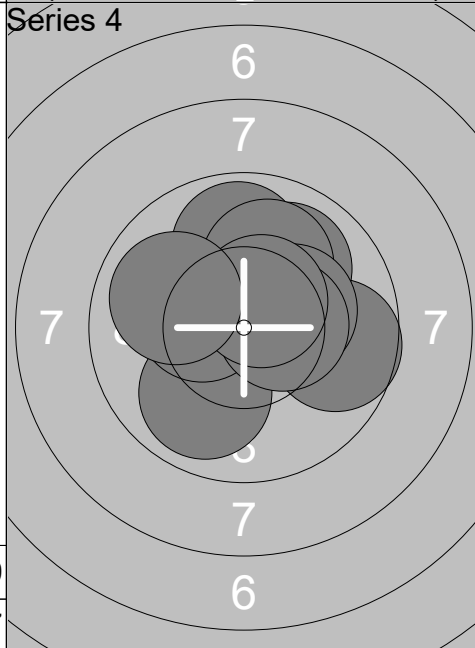
1:	9.6	←
2:	10.2x	↓
3:	9.5	←
4:	10.1	←
5:	10.0	←
6:	8.0	→
7:	10.6x	→
8:	10.4x	→
9:	10.0	↗
10:	9.6	↗
<b>Series</b>	<b>98.0</b>	
	<b>98.0</b>	



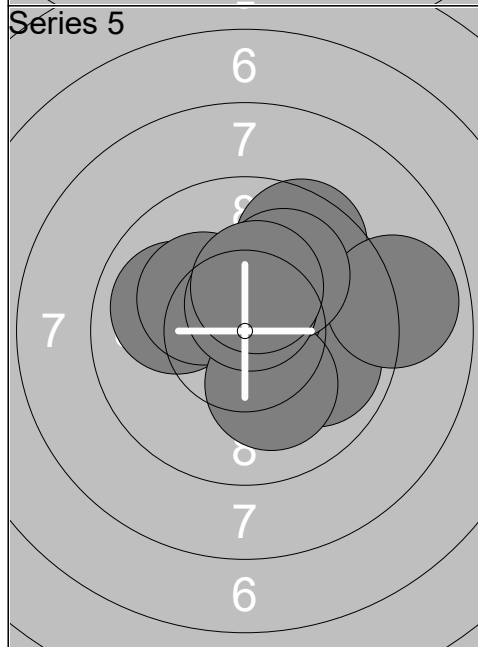
1:	10.1	↗
2:	10.6x	↓
3:	9.6	↗
4:	10.2x	↖
5:	10.5x	↗
6:	9.2	↑
7:	10.2x	←
8:	10.7x	↖
9:	9.5	↓
10:	10.2x	→
<b>Series</b>	<b>100.8</b>	
	<b>198.8</b>	



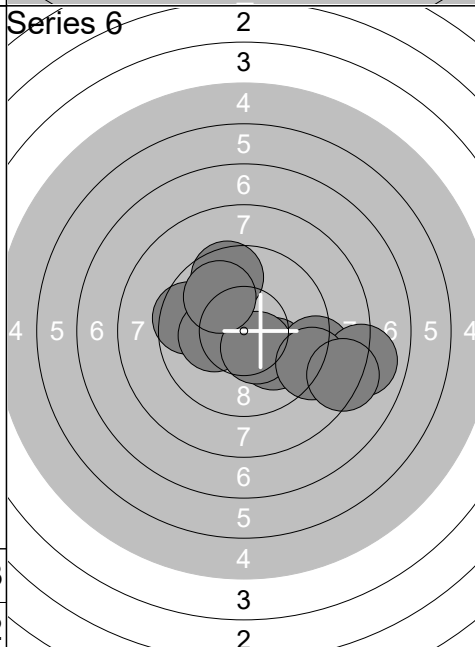
1:	10.1	→
2:	9.5	↓
3:	9.5	↓
4:	9.9	↓
5:	10.1	↖
6:	10.2x	←
7:	10.2x	↗
8:	9.8	←
9:	9.0	↓
10:	9.6	→
<b>Series</b>	<b>97.9</b>	
	<b>296.7</b>	



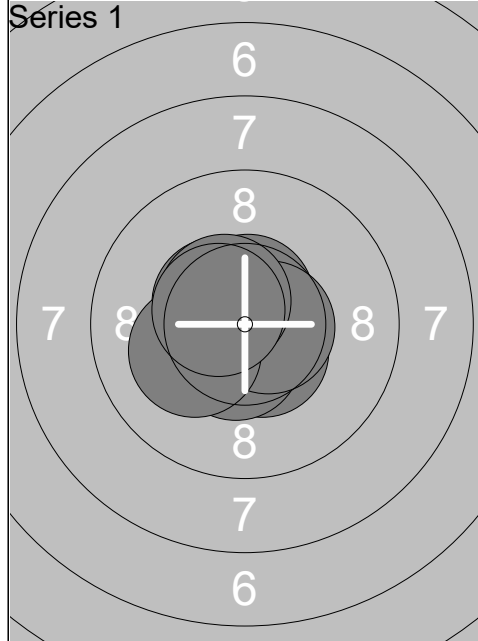
1:	9.7	→
2:	9.9	↓
3:	10.4x	←
4:	9.9	↑
5:	10.0	↗
6:	10.1	↑
7:	10.3x	→
8:	10.4x	→
9:	10.5x	↗
10:	10.0	←
<b>Series</b>	<b>101.2</b>	
	<b>397.9</b>	



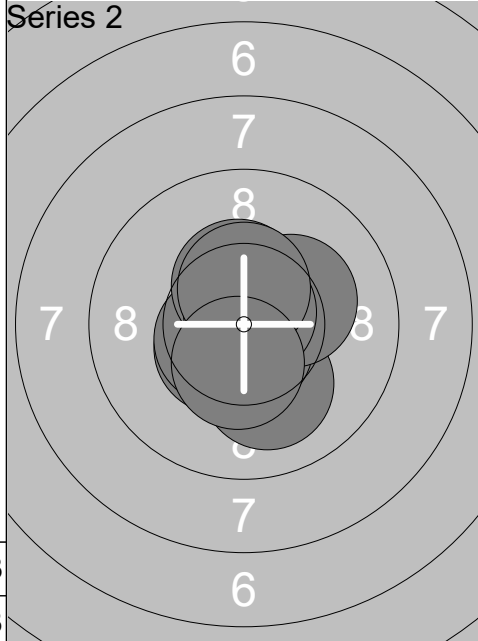
1:	10.0	←
2:	9.9	→
3:	10.2x	↖
4:	9.6	↗
5:	10.6x	↗
6:	8.9	→
7:	10.2x	↓
8:	10.0	↗
9:	10.6x	↗
10:	10.3x	↗
<b>Series</b>	<b>100.3</b>	
	<b>498.2</b>	



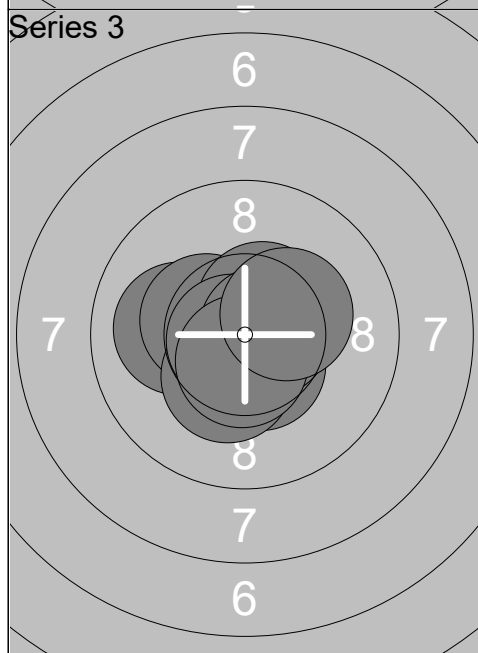
1:	9.6	←
2:	10.0	↓
3:	10.2x	←
4:	9.6	↑
5:	9.1	→
6:	10.4x	↓
7:	8.0	→
8:	9.1	↓
9:	9.9	↗
10:	8.3	↓
<b>Series</b>	<b>94.2</b>	
	<b>592.4</b>	



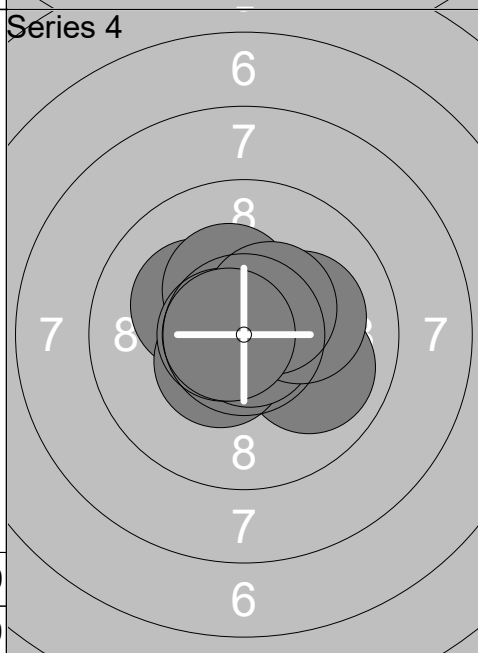
1:	10.6x ↑
2:	10.7x →
3:	10.7x ↓
4:	10.5x ↖
5:	10.5x ↓
6:	10.5x ↓
7:	10.6x →
8:	10.5x ↖
9:	10.2x ↙
10:	10.5x ↖
<b>Series</b>	<b>105.3</b>
	<b>105.3</b>



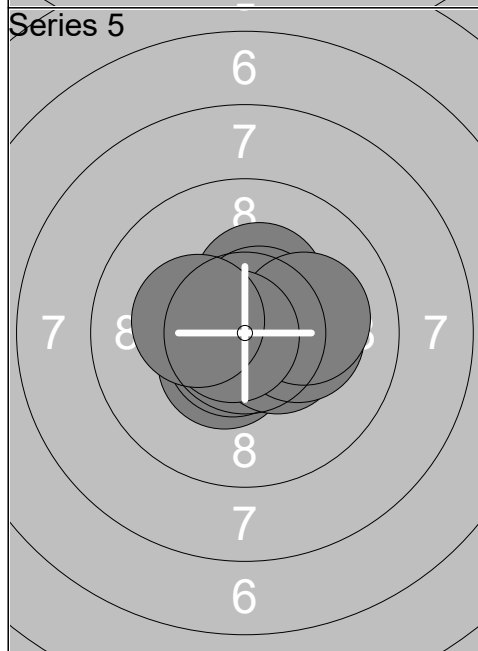
1:	10.5x ↙
2:	10.1 ↓
3:	10.5x ↑
4:	10.7x ↓
5:	10.6x ↙
6:	10.4x ↑
7:	10.2x →
8:	10.8x ↗
9:	10.5x ↑
10:	10.4x ↓
<b>Series</b>	<b>104.7</b>
	<b>210.0</b>



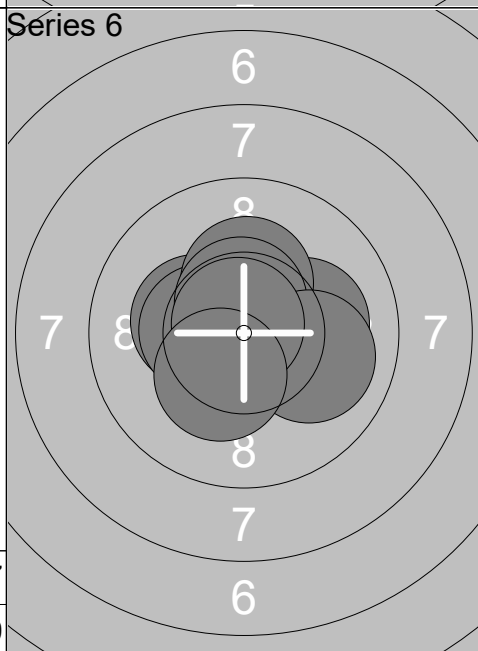
1:	10.5x ↓
2:	10.6x →
3:	10.1 ←
4:	10.4x ↙
5:	10.5x ↗
6:	10.4x ↓
7:	10.8x ↙
8:	10.7x →
9:	10.6x ↓
10:	10.3x →
<b>Series</b>	<b>104.9</b>
	<b>314.9</b>



1:	10.0 →
2:	10.4x ↖
3:	10.2x ↖
4:	10.5x ↙
5:	10.3x ↑
6:	10.9x ↓
7:	10.2x →
8:	10.7x ←
9:	10.4x ↗
10:	10.7x ←
<b>Series</b>	<b>104.3</b>
	<b>419.2</b>



1:	10.7x →
2:	10.5x ↙
3:	10.7x ↓
4:	10.3x ↑
5:	10.5x →
6:	10.6x ↗
7:	10.2x →
8:	10.1 →
9:	10.8x ←
10:	10.3x ←
<b>Series</b>	<b>104.7</b>
	<b>523.9</b>



1:	10.3x ↙
2:	10.1 →
3:	10.8x ←
4:	10.4x ←
5:	10.3x ↑
6:	10.6x ↓
7:	10.5x ↑
8:	10.0 →
9:	10.8x ↖
10:	10.3x ↙
<b>Series</b>	<b>104.1</b>
	<b>628.0</b>