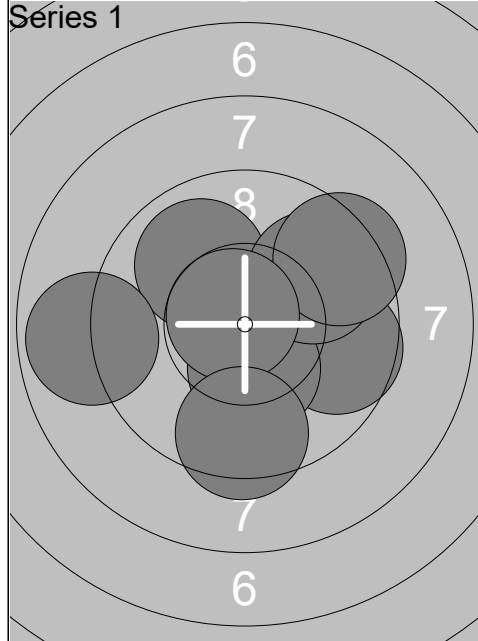
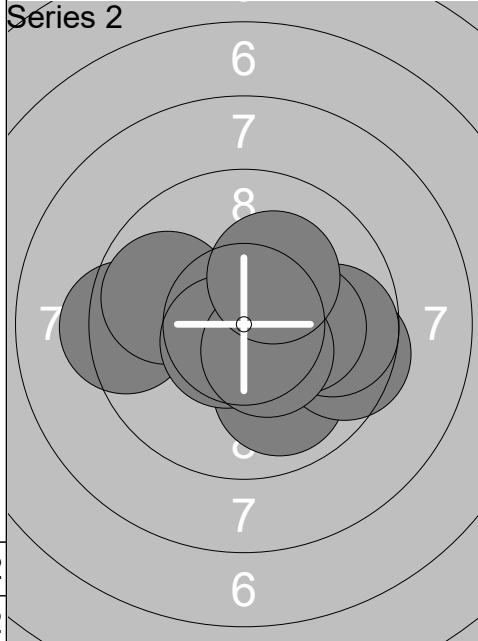


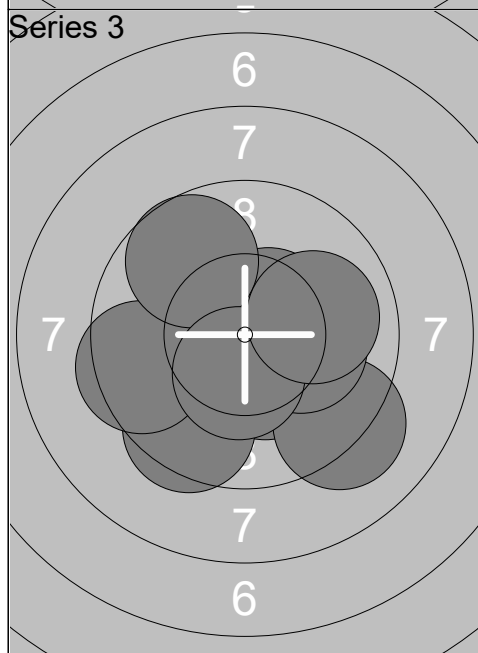
Relay	Lane	Hilma Agrell		
6	9	SWE	WJ	R
Qual Day 2		Denmark Open Air 2026		Denmark Open Air 2026
11.02.2026				
Series 1 	1: 10.5x ↑	Series 2 	1: 10.4x →	
	2: 10.2x ↓		2: 10.3x ←	
	3: 9.9 ↗		3: 10.5x ↓	
	4: 9.3 ↓		4: 10.7x →	
	5: 10.0 ↓		5: 10.6x ↓	
	6: 9.7 ↓		6: 9.8 ↓	
	7: 10.1 ←		7: 9.0 ↘	
	8: 9.9 ←		8: 9.0 →	
	9: 9.8 →		9: 9.7 ↘	
	10: 10.3x ↖		10: 9.8 ↑	
	Series 99.7		Series 99.8	
	99.7		199.5	
Series 3 	1: 10.3x ↓	Series 4 	1: 10.0 ↑	
	2: 9.4 →		2: 10.5x ↘	
	3: 10.6x →		3: 10.6x →	
	4: 9.6 ←		4: 10.3x ↖	
	5: 10.2x →		5: 8.7 →	
	6: 9.5 →		6: 9.8 →	
	7: 9.8 ↑		7: 10.3x →	
	8: 10.7x ↓		8: 9.5 ↗	
	9: 9.5 →		9: 10.5x ↑	
	10: 10.8x ↘		10: 10.6x ↗	
	Series 100.4		Series 100.8	
	299.9		400.7	
Series 5 	1: 9.5 ←	Series 6 	1: 9.8 ←	
	2: 9.8 ↑		2: 10.0 ↓	
	3: 10.1 →		3: 10.3x ↗	
	4: 10.2x →		4: 10.1 ↘	
	5: 9.7 →		5: 10.0 ↘	
	6: 9.9 ↗		6: 10.0 ↓	
	7: 10.3x ↗		7: 10.3x →	
	8: 10.3x ←		8: 10.4x ↓	
	9: 9.1 ↖		9: 9.8 ←	
	10: 10.7x ↑		10: 10.1 ↑	
	Series 99.6		Series 100.8	
	500.3		601.1	



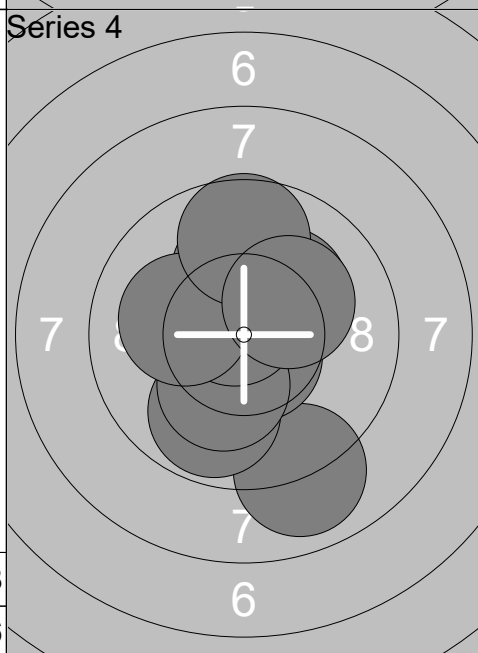
1:	10.4x	→
2:	10.0	↖
3:	10.4x	→
4:	9.7	→
5:	10.4x	↓
6:	9.8	↗
7:	9.4	↗
8:	8.9	←
9:	10.7x	↖
10:	9.5	↓
Series	99.2	
	99.2	



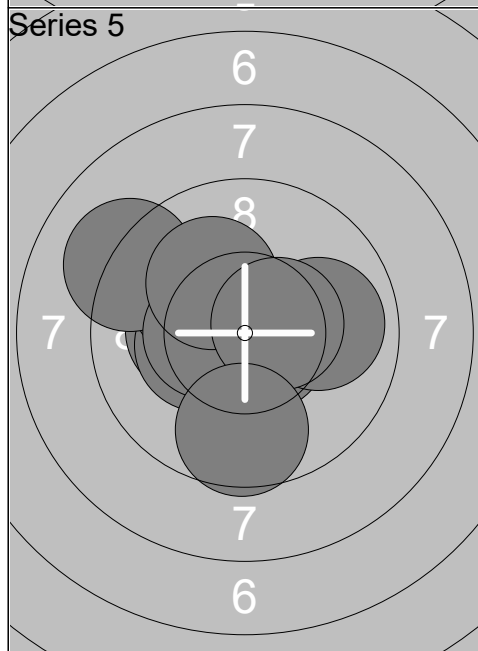
1:	10.6x	←
2:	9.3	←
3:	9.9	↓
4:	9.6	→
5:	9.9	←
6:	10.6x	↙
7:	9.8	→
8:	10.2x	→
9:	10.5x	↓
10:	10.2x	↗
Series	100.6	
	199.8	



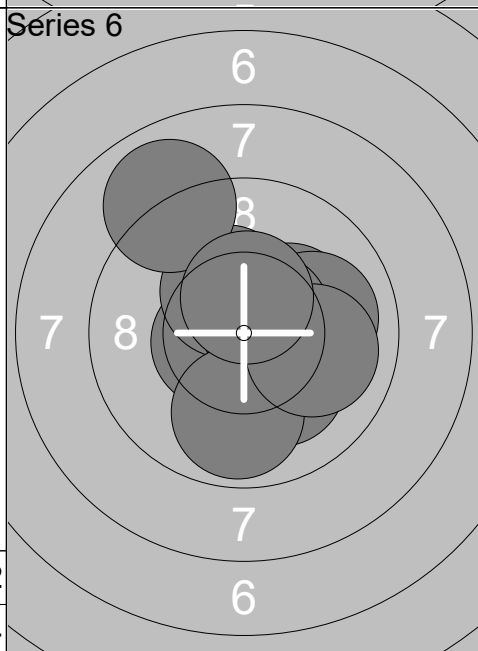
1:	10.4x	↓
2:	9.2	↓
3:	10.2x	→
4:	10.5x	↗
5:	9.5	↓
6:	10.4x	←
7:	9.5	←
8:	9.7	↖
9:	10.4x	↓
10:	10.0	→
Series	99.8	
	299.6	



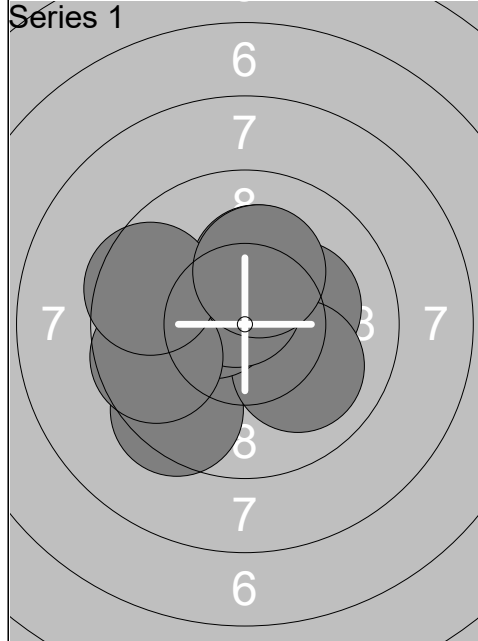
1:	9.0	↓
2:	9.8	↓
3:	10.6x	↓
4:	10.2x	↓
5:	10.2x	↗
6:	10.1	↑
7:	10.7x	↖
8:	10.1	←
9:	9.7	↑
10:	10.2x	↗
Series	100.6	
	400.2	



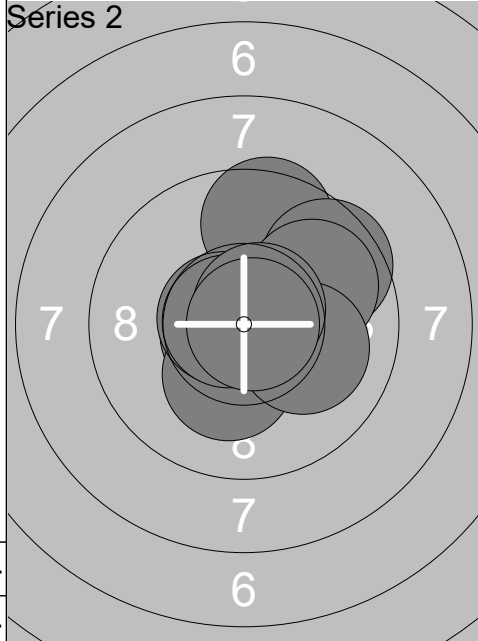
1:	10.2x	←
2:	10.7x	↘
3:	10.3x	←
4:	9.9	→
5:	10.2x	↖
6:	9.1	↖
7:	10.5x	←
8:	10.2x	↖
9:	10.5x	→
10:	9.6	↓
Series	101.2	
	501.4	



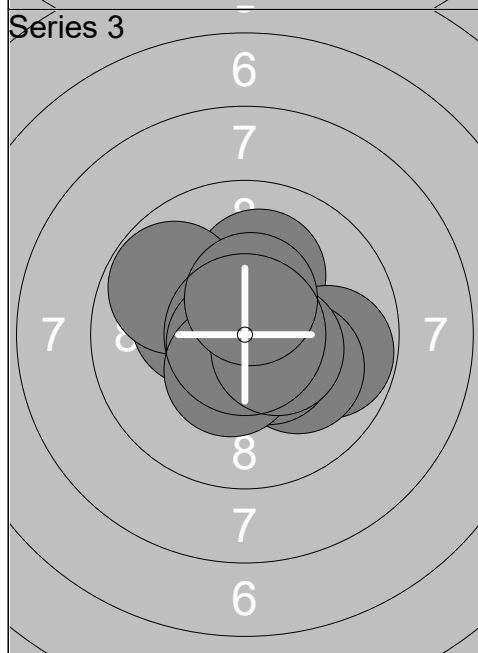
1:	10.2x	↓
2:	10.6x	←
3:	10.3x	↖
4:	10.3x	↗
5:	10.0	→
6:	10.6x	↗
7:	9.9	↓
8:	9.0	↖
9:	10.0	→
10:	10.5x	↑
Series	101.4	
	602.8	



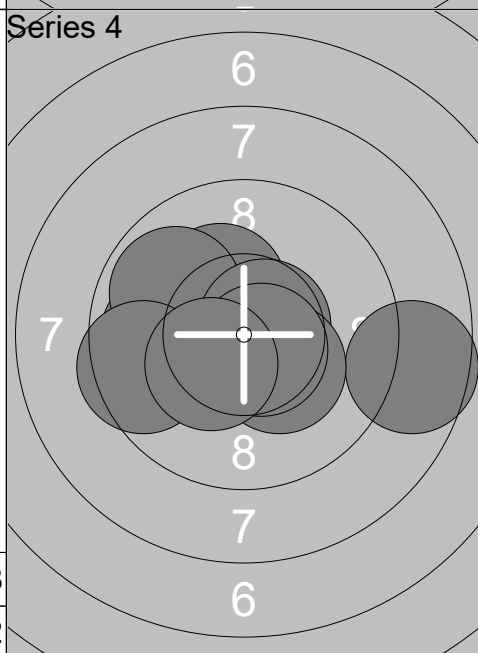
1:	10.9x ↗
2:	9.5 ↘
3:	10.2x ↑
4:	10.2x →
5:	10.0 ↘
6:	10.5x ↙
7:	10.6x ↑
8:	9.7 ←
9:	9.6 ↙
10:	10.2x ↑
Series	101.4
	101.4



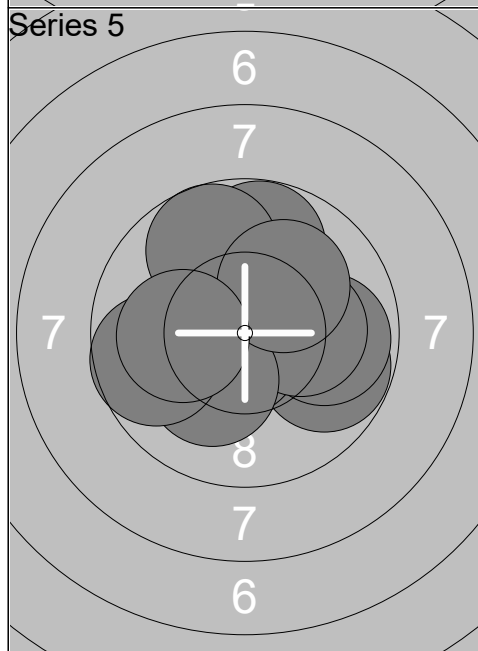
1:	10.7x ↙
2:	10.3x ↘
3:	9.5 ↑
4:	9.6 ↗
5:	10.7x ↙
6:	9.9 ↗
7:	10.7x ↙
8:	10.1 →
9:	10.7x ↗
10:	10.8x →
Series	103.0
	204.4



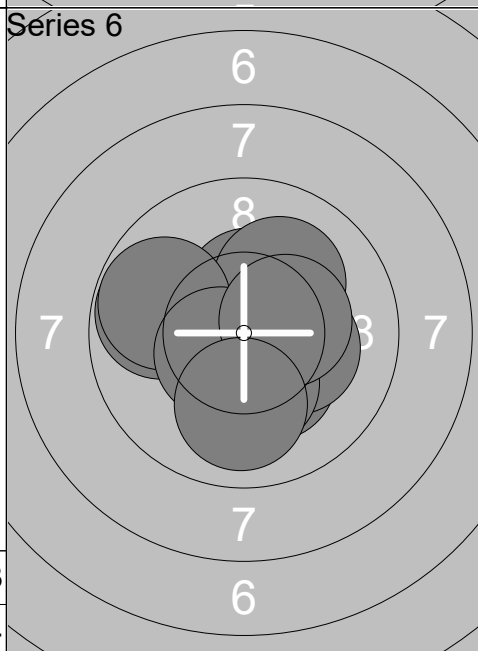
1:	10.1 ↑
2:	9.8 →
3:	10.3x ↙
4:	10.1 ↘
5:	9.8 ↗
6:	10.5x ↘
7:	10.8x ↙
8:	10.4x ↘
9:	10.5x →
10:	10.5x ↑
Series	102.8
	307.2



1:	10.3x ↗
2:	9.9 ←
3:	9.9 ↙
4:	10.7x ↘
5:	10.6x →
6:	9.5 ←
7:	8.6 →
8:	10.3x ↘
9:	10.7x ↘
10:	10.4x ↙
Series	100.9
	408.1



1:	9.8 →
2:	9.8 ↑
3:	9.8 ↑
4:	10.7x ↘
5:	9.9 →
6:	10.2x →
7:	10.2x ↘
8:	10.1 ↗
9:	9.7 ←
10:	10.1 ←
Series	100.3
	508.4

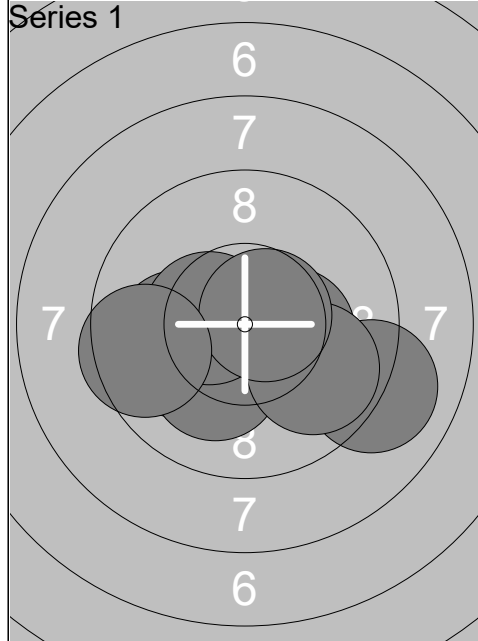


1:	10.3x ↘
2:	9.8 ←
3:	10.4x ↑
4:	10.1 ↗
5:	9.8 ←
6:	10.3x →
7:	10.3x ↘
8:	10.5x ↙
9:	10.4x →
10:	10.0 ↓
Series	101.9
	610.3

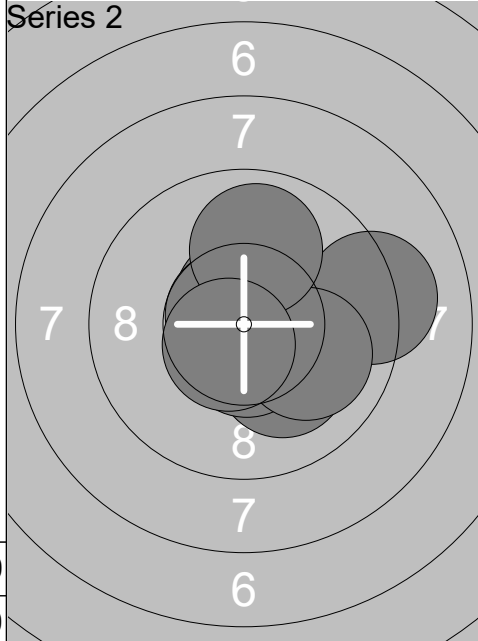
Relay	Lane	Ida Romvig Bukbjerg		
6	12	DEN	WJ	R
Qual Day 2		Denmark Open Air 2026		Denmark Open Air 2026
11.02.2026				
Series 1 	1: 10.5x →	Series 2 	1: 9.4 →	
	2: 9.0 ↗		2: 10.6x ↘	
	3: 9.7 ↑		3: 9.7 ←	
	4: 8.5 ↗		4: 9.9 ↗	
	5: 9.9 →		5: 10.1 ↑	
	6: 9.9 ↓		6: 10.0 ↓	
	7: 9.8 ↗		7: 10.3x ←	
	8: 8.9 ↘		8: 9.1 ↗	
	9: 9.5 ←		9: 9.5 ↓	
	10: 8.5 ↗		10: 7.2 ←	
	Series 94.2	Series 95.8		
	94.2		190.0	
Series 3 	1: 9.8 ↘	Series 4 	1: 9.3 ↖	
	2: 10.3x ↘		2: 10.8x →	
	3: 9.8 ↘		3: 9.4 ←	
	4: 9.2 ↘		4: 9.7 ↗	
	5: 9.6 ↑		5: 10.6x ↑	
	6: 9.2 ↗		6: 9.3 ↑	
	7: 10.3x ↖		7: 10.2x ↖	
	8: 10.1 ↖		8: 9.1 ↓	
	9: 10.4x ↑		9: 9.3 ←	
	10: 10.6x ↖		10: 10.5x ↘	
	Series 99.3	Series 98.2		
	289.3		387.5	
Series 5 	1: 10.3x ↓	Series 6 	1: 9.8 ←	
	2: 9.8 ←		2: 9.6 →	
	3: 9.6 ↗		3: 8.9 ↗	
	4: 10.2x →		4: 9.8 ↑	
	5: 9.7 ↗		5: 10.9x ←	
	6: 10.3x →		6: 10.0 ←	
	7: 8.9 ↘		7: 9.8 ↓	
	8: 8.9 ↘		8: 9.5 ↗	
	9: 10.0 ←		9: 7.5 ←	
	10: 10.4x ↑		10: 9.1 ↗	
	Series 98.1	Series 94.9		
	485.6		580.5	

Relay	Lane	Annabelle Borved		
6	13	DEN	WJ	R
Qual Day 2		Denmark Open Air 2026		Denmark Open Air 2026
11.02.2026				
Series 1 	1: 10.6x ↗	Series 2 	1: 10.2x ↖	
	2: 10.1 →		2: 10.5x ↓	
	3: 9.9 ↓		3: 9.6 ↓	
	4: 10.8x ↘		4: 10.7x ↓	
	5: 10.5x ↓		5: 10.3x ↖	
	6: 10.6x ↗		6: 10.0 ↓	
	7: 10.1 ↗		7: 10.7x ←	
	8: 9.7 ←		8: 10.2x ↓	
	9: 9.9 ↓		9: 10.6x →	
	10: 9.8 →		10: 10.4x ←	
	Series 102.0		Series 103.2	
	102.0		205.2	
Series 3 	1: 9.9 ←	Series 4 	1: 10.8x ↘	
	2: 10.3x ↗		2: 10.1 ←	
	3: 10.2x →		3: 10.8x →	
	4: 10.2x ↗		4: 10.9x →	
	5: 10.3x →		5: 10.6x ↙	
	6: 10.2x ↖		6: 10.2x →	
	7: 10.5x ←		7: 10.0 ←	
	8: 10.3x ↙		8: 9.7 ↓	
	9: 10.8x ↓		9: 10.6x →	
	10: 10.7x ↘		10: 10.6x →	
	Series 103.4		Series 104.3	
	308.6		412.9	
Series 5 	1: 10.3x ←	Series 6 	1: 9.8 →	
	2: 10.5x ←		2: 10.5x →	
	3: 10.2x →		3: 10.6x ↓	
	4: 10.5x ←		4: 9.9 ↓	
	5: 10.3x ↖		5: 10.2x →	
	6: 10.1 ↗		6: 10.6x ↓	
	7: 9.6 →		7: 10.3x ↖	
	8: 10.6x ↗		8: 10.4x ↗	
	9: 10.4x ←		9: 10.3x ↗	
	10: 10.3x ←		10: 10.1 ←	
	Series 102.8		Series 102.7	
	515.7		618.4	

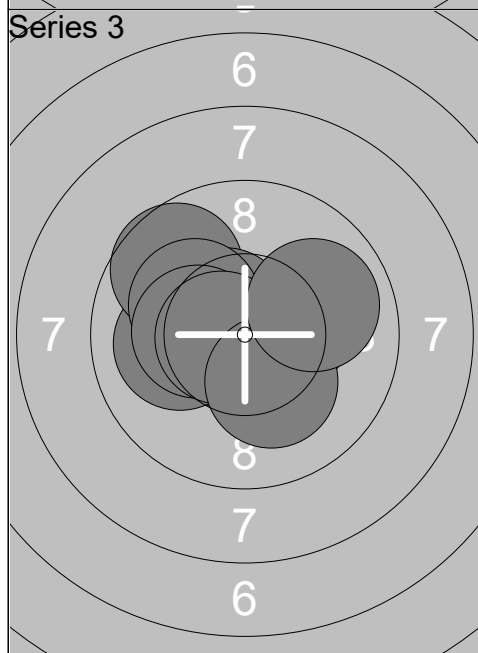
Relay	Lane	Malou Brorson		
6	14	DEN	WJ	R
Qual Day 2		Denmark Open Air 2026		Denmark Open Air 2026
11.02.2026				
Series 1 	2	1: 9.8 ↙	Series 2 	1: 9.6 ↗
	3	2: 8.7 ↗		2: 9.5 ↖
	4	3: 9.9 ↗		3: 10.5x →
	5	4: 9.4 ↖	4: 9.9 →	4: 9.0 ↓
	6	5: 10.2x ↗	5: 9.0 ↓	5: 8.9 ↗
	7	6: 10.8x ↖	6: 8.9 ↗	6: 9.5 ↙
	8	7: 9.7 ↖	7: 9.5 ↙	7: 10.0 ↗
	7	8: 9.0 ↗	8: 10.0 ↗	8: 10.4x ←
	6	9: 7.8 ↖	9: 10.4x ←	9: 8.9 ↗
	5	10: 9.4 ←	10: 8.9 ↗	
	4	Series 94.7	Series 96.2	
	3	94.7	190.9	
	2			
Series 3 		1: 9.8 ↗	Series 4 	1: 9.9 ←
		2: 10.7x ↗		2: 9.9 ↓
		3: 10.1 ↓		3: 10.2x ↖
		4: 9.8 ←	4: 9.9 ←	4: 10.3x ↖
		5: 10.4x ↖	5: 10.3x ↖	5: 10.4x ↖
		6: 10.9x ↖	6: 10.4x ↖	6: 9.2 ↗
		7: 9.9 ↗	7: 9.2 ↗	7: 8.7 ↗
		8: 10.3x ↖	8: 8.7 ↗	8: 8.8 →
		9: 9.5 ↖	9: 8.8 →	9: 9.3 ↗
		10: 10.6x ↖	10: 9.3 ↗	
		Series 102.0	Series 96.6	
		292.9	389.5	
Series 5 		1: 10.1 →	Series 6 	1: 8.9 →
		2: 9.8 ↗		2: 10.7x ↘
		3: 10.8x ↗		3: 10.8x ↗
		4: 9.5 ←	4: 10.1 ↙	4: 9.0 ←
		5: 9.9 →	5: 9.0 ←	5: 9.4 →
		6: 10.0 ↗	6: 9.4 →	6: 9.9 ↙
		7: 9.8 →	7: 9.9 ↙	7: 10.0 ↖
		8: 10.0 ↗	8: 10.0 ↖	8: 9.2 ↗
		9: 10.5x ↗	9: 9.2 ↗	9: 9.7 ↖
		10: 9.6 ←	10: 9.7 ↖	
		Series 100.0	Series 97.7	
		489.5	587.2	



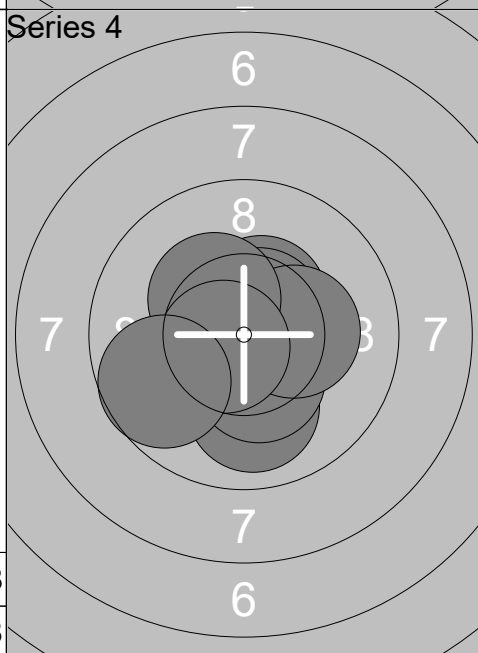
1:	10.4x →
2:	9.0 →
3:	9.9 ←
4:	10.0 ←
5:	10.0 ←
6:	10.2x ↓
7:	10.5x ←
8:	9.9 →
9:	10.6x →
10:	9.5 ←
Series	100.0
	100.0



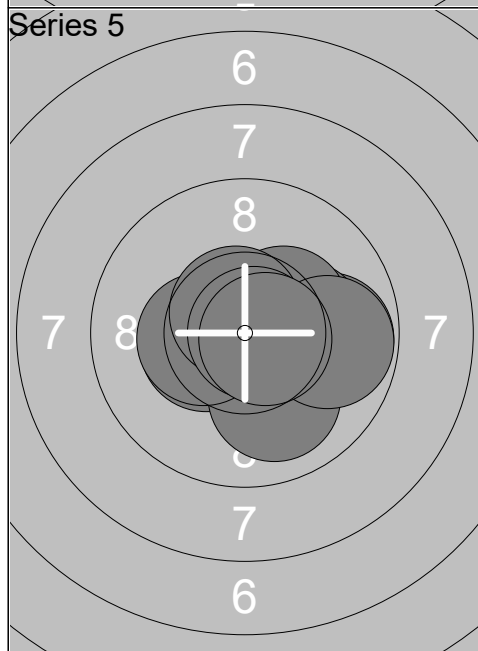
1:	10.1 ↓
2:	9.2 →
3:	10.7x ↓
4:	10.5x →
5:	10.6x ↑
6:	10.8x ↖
7:	10.6x ↓
8:	10.0 →
9:	9.9 ↑
10:	10.6x ↓
Series	103.0
	203.0



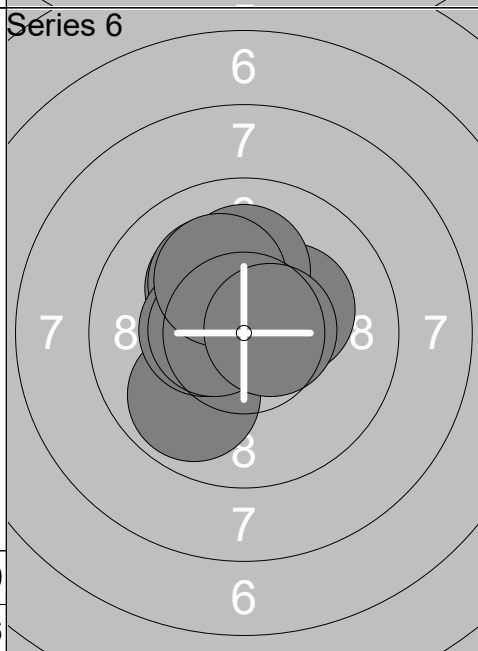
1:	10.8x ↓
2:	10.1 ←
3:	9.7 ↖
4:	10.3x →
5:	10.6x ↖
6:	10.2x ↖
7:	10.3x ←
8:	10.6x ←
9:	10.2x ↓
10:	10.0 →
Series	102.8
	305.8



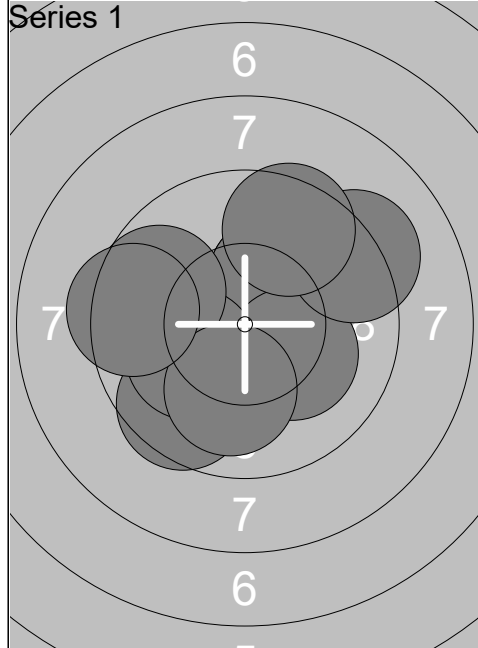
1:	10.0 ↓
2:	10.5x ↗
3:	10.8x ↓
4:	10.6x ↗
5:	10.6x ←
6:	10.4x ↓
7:	10.3x →
8:	10.3x ↖
9:	10.6x ←
10:	9.7 ←
Series	103.8
	409.6



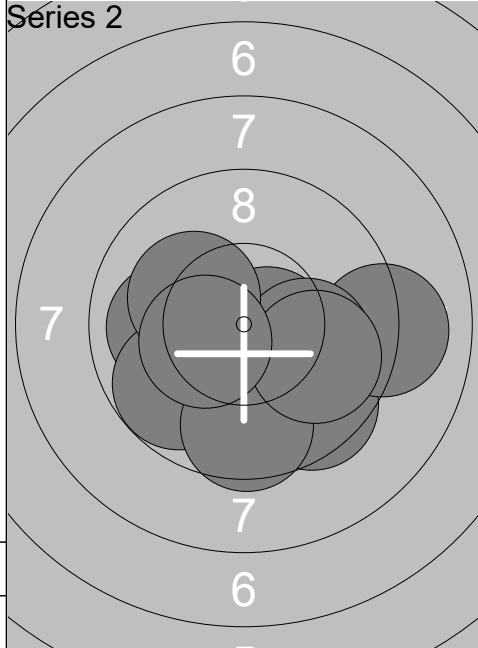
1:	10.4x ←
2:	9.8 →
3:	10.2x →
4:	10.3x →
5:	10.0 ↓
6:	9.8 →
7:	10.4x ←
8:	10.6x ↖
9:	10.8x →
10:	10.7x →
Series	103.0
	512.6



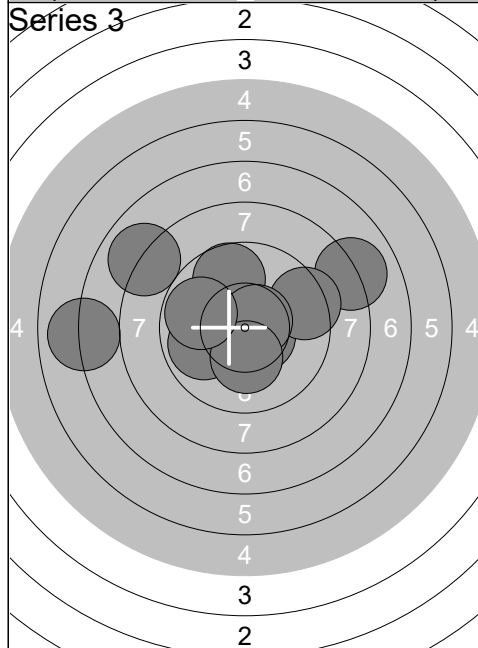
1:	10.2x ↖
2:	9.9 ↓
3:	10.6x ↖
4:	10.2x ↖
5:	10.3x →
6:	10.4x ←
7:	10.1 ↑
8:	10.5x ←
9:	10.2x ↖
10:	10.6x →
Series	103.0
	615.6



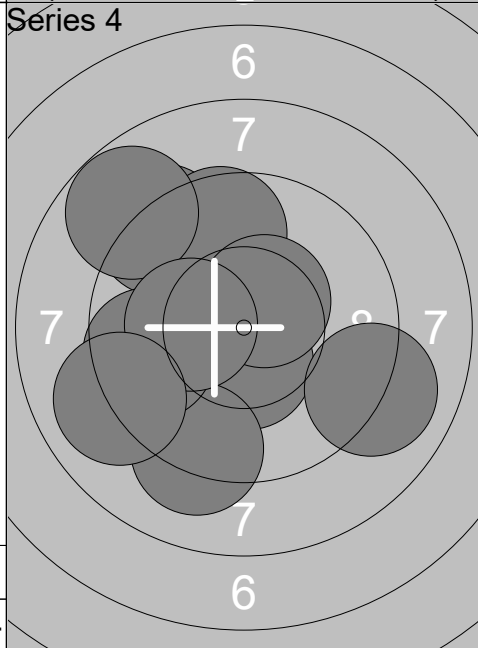
1:	9.6 ↘
2:	10.2x ↗
3:	10.2x ↗
4:	10.2x ↘
5:	9.2 ↗
6:	10.1 ↙
7:	9.7 ↙
8:	9.5 ↗
9:	10.0 ↓
10:	9.4 ↙
Series	98.1
	98.1



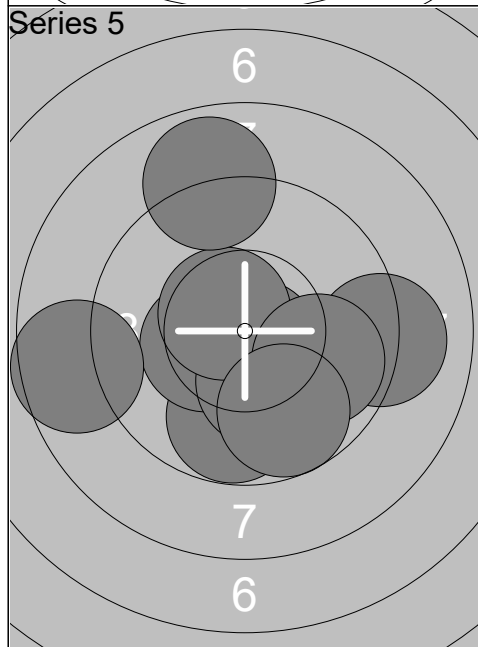
1:	10.0 ←
2:	10.6x ↘
3:	9.5 ↘
4:	9.1 →
5:	10.1 ↘
6:	9.8 ↙
7:	10.2x ↙
8:	9.6 ↓
9:	9.9 ↘
10:	10.4x ↙
Series	99.2
	197.3



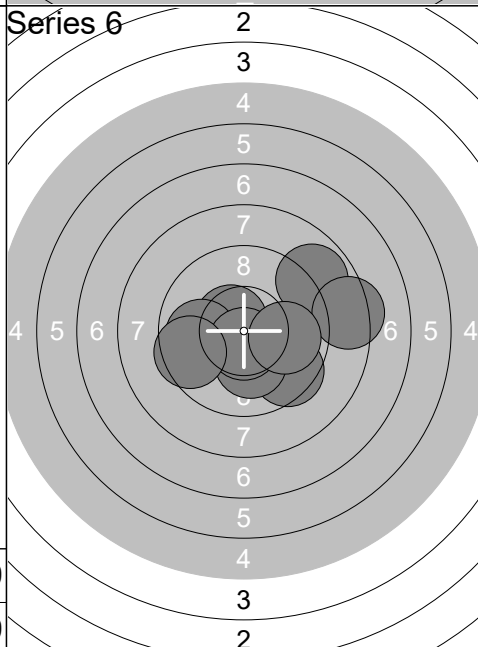
1:	10.6x ↘
2:	9.7 ↗
3:	8.0 ↙
4:	8.0 ↗
5:	9.9 ↙
6:	9.3 ↗
7:	7.0 ↙
8:	10.6x ↗
9:	10.2x ↓
10:	9.8 ↙
Series	93.1
	290.4



1:	10.5x ↓
2:	9.2 ↖
3:	9.6 ↗
4:	10.5x ↗
5:	9.2 ↓
6:	9.0 ↘
7:	8.8 ↖
8:	9.6 ↙
9:	10.2x ↙
10:	9.0 ↙
Series	95.6
	386.0



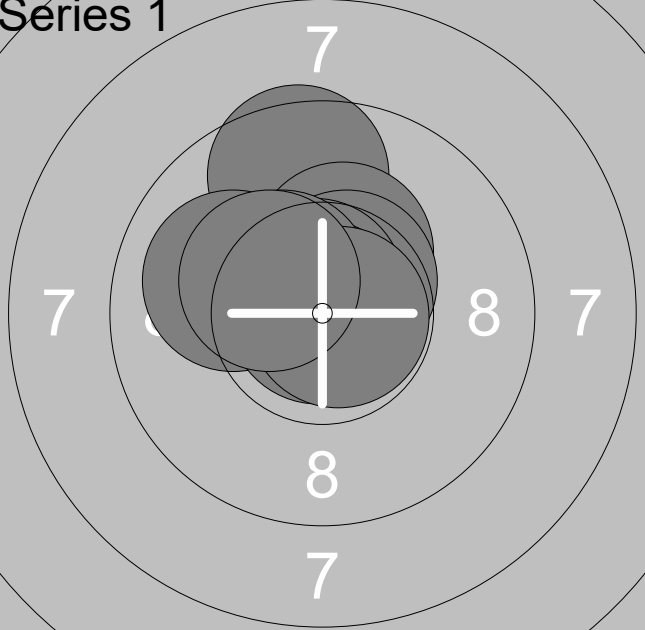
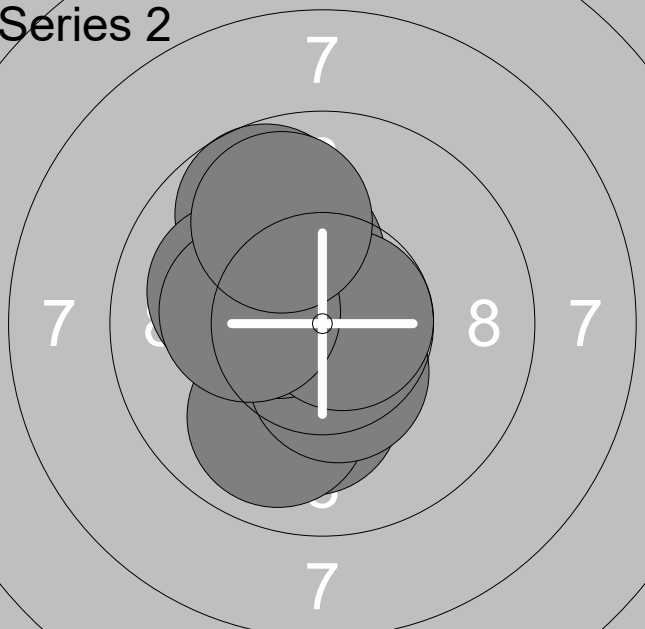
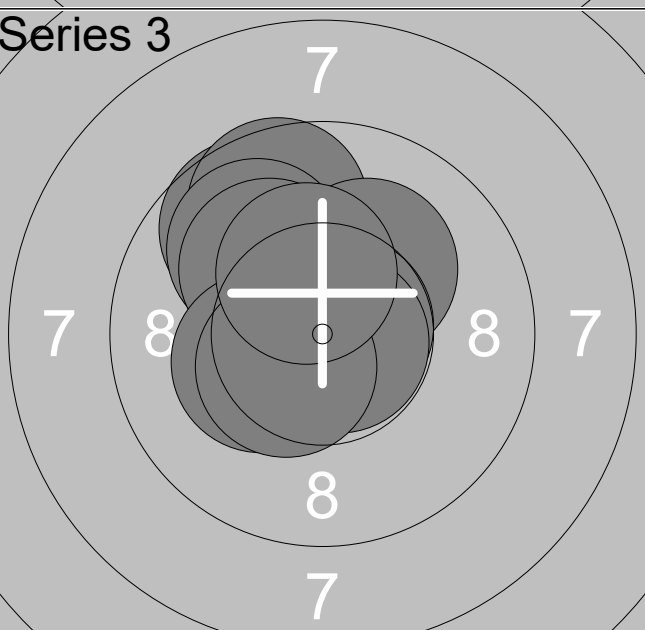
1:	10.7x ↓
2:	9.8 ↓
3:	9.1 →
4:	10.4x ↙
5:	10.2x ↓
6:	8.6 ↙
7:	10.6x ↖
8:	8.9 ↗
9:	9.9 ↘
10:	9.7 ↓
Series	97.9
	483.9



1:	10.5x ↙
2:	10.5x ↖
3:	9.9 ↙
4:	9.5 ↘
5:	10.2x ↓
6:	8.9 ↗
7:	8.4 →
8:	10.6x ↓
9:	9.9 →
10:	9.5 ↙
Series	97.9
	581.8

Relay	Lane	Merle My Dittmann		
6	17	DEN	WJ	R
Qual Day 2		Denmark Open Air 2026		Denmark Open Air 2026
11.02.2026				
Series 1 	1: 10.3x ↗	Series 2 	1: 10.2x ↖	
	2: 10.4x ↘		2: 9.5 ↖	
	3: 10.4x ↗		3: 10.0 →	
	4: 9.6 →		4: 9.7 ←	
	5: 10.5x ↖		5: 10.4x ↘	
	6: 10.7x ↖		6: 10.7x ↗	
	7: 10.4x ↗		7: 9.8 →	
	8: 10.0 ←		8: 10.3x ↖	
	9: 10.7x ↘		9: 9.7 ←	
	10: 10.3x ↗		10: 10.3x ↖	
	Series 103.3		Series 100.6	
	103.3		203.9	
Series 3 	1: 10.6x ↖	Series 4 	1: 10.1 ↘	
	2: 10.3x ↘		2: 10.4x →	
	3: 10.1 →		3: 10.0 ↘	
	4: 10.2x ↘		4: 10.0 ↓	
	5: 10.9x ↘		5: 9.9 ↗	
	6: 10.6x ↘		6: 10.6x ↗	
	7: 10.5x ↖		7: 10.5x ↘	
	8: 10.3x ↘		8: 9.4 ↓	
	9: 9.4 →		9: 9.2 ↗	
	10: 10.2x ↗		10: 10.4x →	
	Series 103.1		Series 100.5	
	307.0		407.5	
Series 5 	1: 10.2x ↘	Series 6 	1: 9.8 →	
	2: 9.5 ↗		2: 10.5x ↗	
	3: 10.7x ↖		3: 10.0 ↗	
	4: 10.7x ↖		4: 10.2x ↖	
	5: 10.4x ↘		5: 10.2x ↘	
	6: 10.4x ↗		6: 9.8 ↖	
	7: 10.6x ↘		7: 10.1 ↖	
	8: 8.6 ←		8: 10.4x ↘	
	9: 10.2x ↗		9: 9.6 ↘	
	10: 9.8 ←		10: 10.4x →	
	Series 101.1		Series 101.0	
	508.6		609.6	

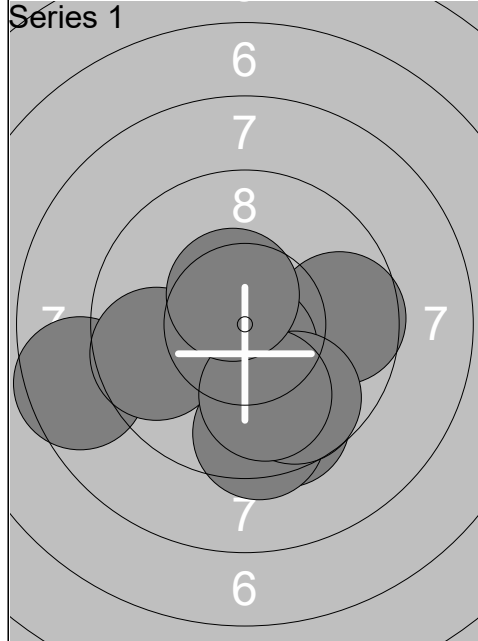
11.02.2026	Denmark Open Air 2026	Denmark Open Air 2026
------------	-----------------------	-----------------------

Series 1 	<table style="width:100%; border-collapse: collapse;"> <tr><td style="width:5%;">1:</td><td style="width:15%;">9.6</td><td style="width:10%; text-align: center;">↑</td></tr> <tr><td>2:</td><td>10.3x</td><td style="text-align: center;">↑</td></tr> <tr><td>3:</td><td>10.0</td><td style="text-align: center;">←</td></tr> <tr><td>4:</td><td>10.6x</td><td style="text-align: center;">↗</td></tr> <tr><td>5:</td><td>10.7x</td><td style="text-align: center;">↑</td></tr> <tr><td>6:</td><td>10.9x</td><td style="text-align: center;">↗</td></tr> <tr><td>7:</td><td>10.9x</td><td style="text-align: center;">←</td></tr> <tr><td>8:</td><td>10.4x</td><td style="text-align: center;">↗</td></tr> <tr><td>9:</td><td>10.8x</td><td style="text-align: center;">→</td></tr> <tr><td>10:</td><td>10.3x</td><td style="text-align: center;">↖</td></tr> <tr><td colspan="2">Series</td><td style="text-align: right;">104.5</td></tr> <tr><td colspan="2"></td><td style="text-align: right;">104.5</td></tr> </table>	1:	9.6	↑	2:	10.3x	↑	3:	10.0	←	4:	10.6x	↗	5:	10.7x	↑	6:	10.9x	↗	7:	10.9x	←	8:	10.4x	↗	9:	10.8x	→	10:	10.3x	↖	Series		104.5			104.5
1:	9.6	↑																																			
2:	10.3x	↑																																			
3:	10.0	←																																			
4:	10.6x	↗																																			
5:	10.7x	↑																																			
6:	10.9x	↗																																			
7:	10.9x	←																																			
8:	10.4x	↗																																			
9:	10.8x	→																																			
10:	10.3x	↖																																			
Series		104.5																																			
		104.5																																			
Series 2 	<table style="width:100%; border-collapse: collapse;"> <tr><td style="width:5%;">1:</td><td style="width:15%;">10.1</td><td style="width:10%; text-align: center;">↓</td></tr> <tr><td>2:</td><td>9.9</td><td style="text-align: center;">↓</td></tr> <tr><td>3:</td><td>10.4x</td><td style="text-align: center;">↓</td></tr> <tr><td>4:</td><td>10.2x</td><td style="text-align: center;">↗</td></tr> <tr><td>5:</td><td>9.7</td><td style="text-align: center;">↗</td></tr> <tr><td>6:</td><td>10.1</td><td style="text-align: center;">←</td></tr> <tr><td>7:</td><td>10.5x</td><td style="text-align: center;">←</td></tr> <tr><td>8:</td><td>10.7x</td><td style="text-align: center;">→</td></tr> <tr><td>9:</td><td>10.2x</td><td style="text-align: center;">←</td></tr> <tr><td>10:</td><td>9.9</td><td style="text-align: center;">↑</td></tr> <tr><td colspan="2">Series</td><td style="text-align: right;">101.7</td></tr> <tr><td colspan="2"></td><td style="text-align: right;">206.2</td></tr> </table>	1:	10.1	↓	2:	9.9	↓	3:	10.4x	↓	4:	10.2x	↗	5:	9.7	↗	6:	10.1	←	7:	10.5x	←	8:	10.7x	→	9:	10.2x	←	10:	9.9	↑	Series		101.7			206.2
1:	10.1	↓																																			
2:	9.9	↓																																			
3:	10.4x	↓																																			
4:	10.2x	↗																																			
5:	9.7	↗																																			
6:	10.1	←																																			
7:	10.5x	←																																			
8:	10.7x	→																																			
9:	10.2x	←																																			
10:	9.9	↑																																			
Series		101.7																																			
		206.2																																			
Series 3 	<table style="width:100%; border-collapse: collapse;"> <tr><td style="width:5%;">1:</td><td style="width:15%;">9.7</td><td style="width:10%; text-align: center;">↗</td></tr> <tr><td>2:</td><td>9.6</td><td style="text-align: center;">↑</td></tr> <tr><td>3:</td><td>10.2x</td><td style="text-align: center;">↗</td></tr> <tr><td>4:</td><td>9.9</td><td style="text-align: center;">↗</td></tr> <tr><td>5:</td><td>10.7x</td><td style="text-align: center;">→</td></tr> <tr><td>6:</td><td>10.1</td><td style="text-align: center;">↗</td></tr> <tr><td>7:</td><td>10.8x</td><td style="text-align: center;">↘</td></tr> <tr><td>8:</td><td>10.3x</td><td style="text-align: center;">←</td></tr> <tr><td>9:</td><td>10.5x</td><td style="text-align: center;">↘</td></tr> <tr><td>10:</td><td>10.3x</td><td style="text-align: center;">↑</td></tr> <tr><td colspan="2">Series</td><td style="text-align: right;">102.1</td></tr> <tr><td colspan="2"></td><td style="text-align: right;">308.3</td></tr> </table>	1:	9.7	↗	2:	9.6	↑	3:	10.2x	↗	4:	9.9	↗	5:	10.7x	→	6:	10.1	↗	7:	10.8x	↘	8:	10.3x	←	9:	10.5x	↘	10:	10.3x	↑	Series		102.1			308.3
1:	9.7	↗																																			
2:	9.6	↑																																			
3:	10.2x	↗																																			
4:	9.9	↗																																			
5:	10.7x	→																																			
6:	10.1	↗																																			
7:	10.8x	↘																																			
8:	10.3x	←																																			
9:	10.5x	↘																																			
10:	10.3x	↑																																			
Series		102.1																																			
		308.3																																			

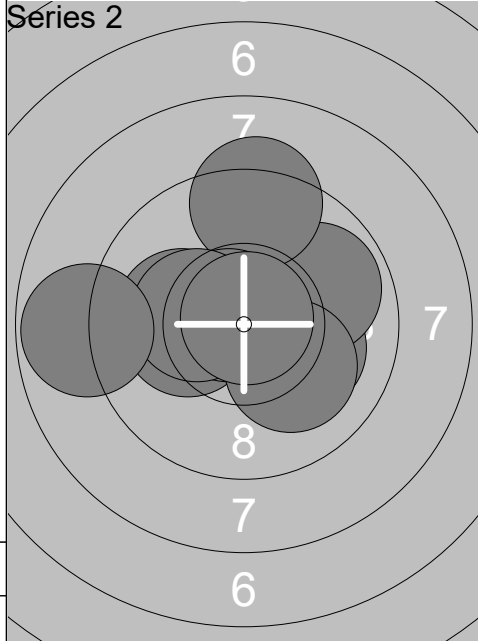
Relay	Lane	Isabella Houlberg			
6	20	DEN		WJ	R
Qual Day 2		Denmark Open Air 2026		Denmark Open Air 2026	
11.02.2026		Denmark Open Air 2026		Denmark Open Air 2026	
Series 1 	1: 9.7 ↘	Series 2 	1: 9.7 ↗		
	2: 8.4 ↗		2: 9.2 ←		
	3: 9.4 ↑		3: 9.5 ↗		
	4: 9.4 ↗		4: 9.9 ↘		
	5: 9.8 →		5: 10.4x ↗		
	6: 8.8 →		6: 9.9 ↖		
	7: 9.0 ←		7: 10.1 ↓		
	8: 9.9 ←		8: 10.2x ←		
	9: 10.3x ↗		9: 8.5 →		
	10: 9.7 →		10: 9.2 →		
	Series 94.4		Series 96.6		
	94.4		191.0		
Series 3 	1: 9.5 →	Series 4 	1: 9.8 ↗		
	2: 9.4 ←		2: 10.2x →		
	3: 9.0 ↗		3: 10.2x ↗		
	4: 9.6 ↗		4: 10.4x ↘		
	5: 10.5x ↘		5: 9.9 ↑		
	6: 9.8 ↘		6: 10.1 ←		
	7: 10.3x ↗		7: 9.9 ↑		
	8: 10.8x ↗		8: 10.2x ←		
	9: 10.9x ↗		9: 9.6 →		
	10: 10.0 ↑		10: 10.6x ↘		
	Series 99.8		Series 100.9		
	290.8		391.7		
Series 5 	1: 9.2 ↘	Series 6 	1: 9.5 →		
	2: 10.5x ↗		2: 9.6 ←		
	3: 8.0 →		3: 9.7 ↘		
	4: 8.8 →		4: 8.3 →		
	5: 10.5x ↘		5: 10.1 ↑		
	6: 9.8 ↘		6: 10.0 ↘		
	7: 10.6x ↘		7: 9.7 →		
	8: 10.7x ↘		8: 9.9 ↗		
	9: 8.5 →		9: 10.5x ↘		
	10: 9.8 →		10: 10.5x ↖		
	Series 96.4		Series 97.8		
	488.1		585.9		

Relay	Lane	Frida Isaksen		
Qual Day 2		DEN	WJ	R
11.02.2026		Denmark Open Air 2026	Denmark Open Air 2026	
Series 1 	1: 10.2x ↘	Series 2 	1: 10.3x ↓	
	2: 9.7 ↙		2: 10.4x ➡	
	3: 9.9 ←		3: 10.5x ↖	
	4: 10.3x ↘		4: 9.9 →	
	5: 10.2x ↘		5: 9.6 ↙	
	6: 10.9x ↗		6: 10.2x ➡	
	7: 10.4x ➡		7: 10.2x ↑	
	8: 10.4x ↗		8: 9.4 ↗	
	9: 10.8x ↘		9: 9.5 ↘	
	10: 10.4x ↘		10: 10.6x ↑	
	Series 103.2	Series 100.6		
	103.2	203.8		
Series 3 	1: 9.4 ↖	Series 4 	1: 10.3x ↗	
	2: 10.1 ↓		2: 10.7x ↘	
	3: 10.1 ↑		3: 10.5x ↙	
	4: 9.1 ←		4: 10.6x ➡	
	5: 10.6x ↘		5: 10.8x ↖	
	6: 9.9 ↑		6: 10.1 ←	
	7: 9.7 ↗		7: 9.9 ↑	
	8: 10.3x ↘		8: 10.7x ←	
	9: 10.0 ↖		9: 10.1 ↑	
	10: 10.2x ↖		10: 10.0 ↖	
	Series 99.4	Series 103.7		
	303.2	406.9		
Series 5 	1: 10.4x ↖	Series 6 	1: 10.4x ↖	
	2: 10.8x ↗		2: 9.9 ←	
	3: 10.2x ↗		3: 9.9 →	
	4: 10.5x ➡		4: 10.2x ↗	
	5: 10.3x ↘		5: 10.2x ↗	
	6: 10.4x ➡		6: 10.7x ➡	
	7: 9.9 ➡		7: 9.5 ↖	
	8: 10.0 ➡		8: 10.8x ↘	
	9: 9.8 ↖		9: 10.5x ←	
	10: 9.9 ↘		10: 10.4x ↖	
	Series 102.2	Series 102.5		
	509.1	611.6		

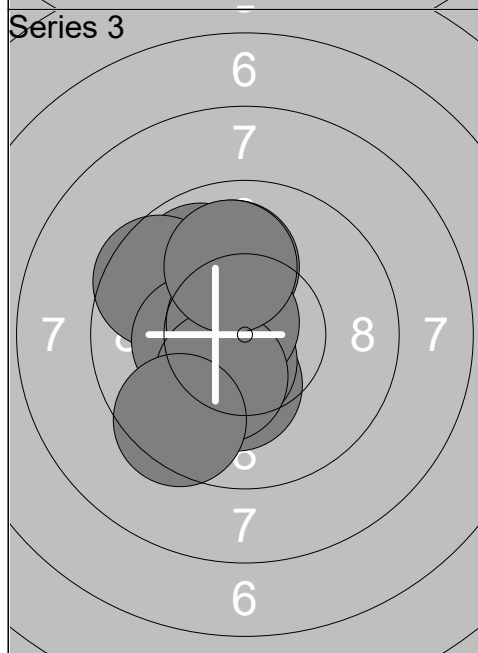
Relay	Lane	Kathrine Janner		
6	22	DEN	WJ	R
11.02.2026	Denmark Open Air 2026	Denmark Open Air 2026		
Series 1 	1: 10.7x ↘	Series 2 	1: 10.6x ↗	
	2: 10.2x ↗		2: 9.5 ←	
	3: 10.7x ↗		3: 9.9 ↘	
	4: 9.8 →		4: 9.9 ↘	
	5: 10.3x ↑		5: 9.6 →	
	6: 10.3x ↗		6: 9.5 ↘	
	7: 10.0 ↗		7: 10.7x ↘	
	8: 9.4 →		8: 10.7x ↑	
	9: 10.1 ↘		9: 10.6x ↘	
	10: 10.6x ↗		10: 10.7x ↘	
	Series 102.1		Series 101.7	
	102.1		203.8	
Series 3 	1: 10.7x ↘	Series 4 	1: 10.6x ↗	
	2: 10.8x ↘		2: 10.1 ←	
	3: 10.1 ←		3: 9.8 →	
	4: 10.2x ↗		4: 10.0 ↗	
	5: 10.1 →		5: 10.3x ↗	
	6: 10.6x ↘		6: 10.0 ↘	
	7: 10.1 ↘		7: 10.6x →	
	8: 10.1 ←		8: 10.4x ←	
	9: 10.2x ↗		9: 9.6 ←	
	10: 10.8x ←		10: 9.9 ↘	
	Series 103.7		Series 101.3	
	307.5		408.8	
Series 5 	1: 9.5 →	Series 6 	1: 10.3x →	
	2: 10.1 ↘		2: 9.9 →	
	3: 9.2 →		3: 10.3x ←	
	4: 9.2 ↘		4: 10.2x ↗	
	5: 10.3x ←		5: 10.3x ←	
	6: 10.2x ↘		6: 10.7x ↑	
	7: 9.9 ↑		7: 10.2x ←	
	8: 9.5 →		8: 9.8 →	
	9: 8.8 ←		9: 10.0 ↘	
	10: 9.3 →		10: 10.2x ←	
	Series 96.0		Series 101.9	
	504.8		606.7	



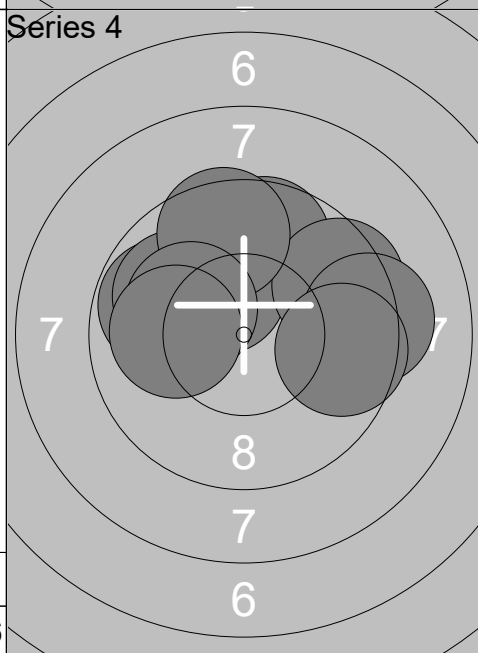
1:	9.5	↓
2:	10.3x	↓
3:	9.7	→
4:	10.6x	↓
5:	9.5	↓
6:	9.7	↓
7:	8.6	←
8:	9.7	←
9:	10.0	↓
10:	10.5x	↗
Series	98.1	
	98.1	



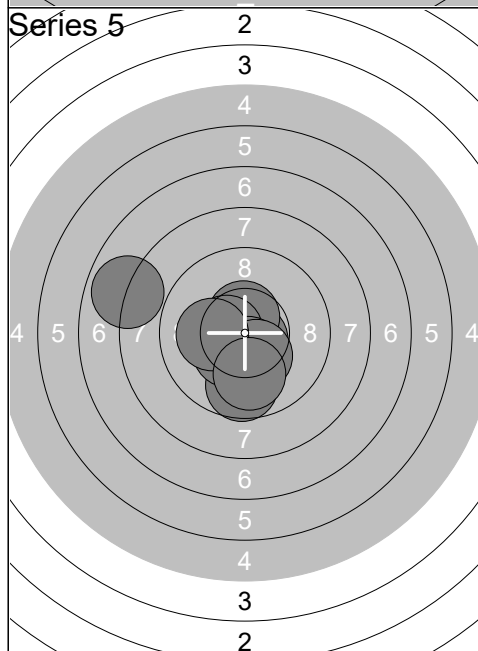
1:	10.1	←
2:	10.1	⇒
3:	9.9	↗
4:	9.3	↑
5:	10.2x	←
6:	10.7x	↖
7:	10.3x	←
8:	10.1	↘
9:	8.8	←
10:	10.9x	↗
Series	100.4	
	198.5	



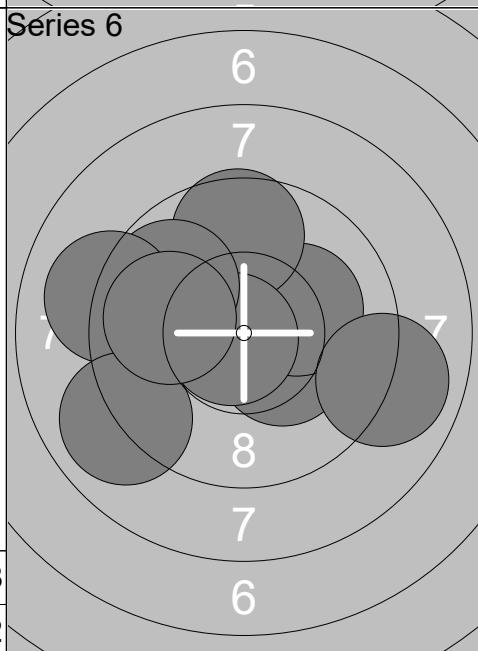
1:	9.9	↖
2:	10.3x	↓
3:	10.5x	↓
4:	9.6	↖
5:	10.3x	←
6:	10.0	↑
7:	10.7x	↖
8:	10.3x	↓
9:	10.0	↑
10:	9.5	↓
Series	101.1	
	299.6	



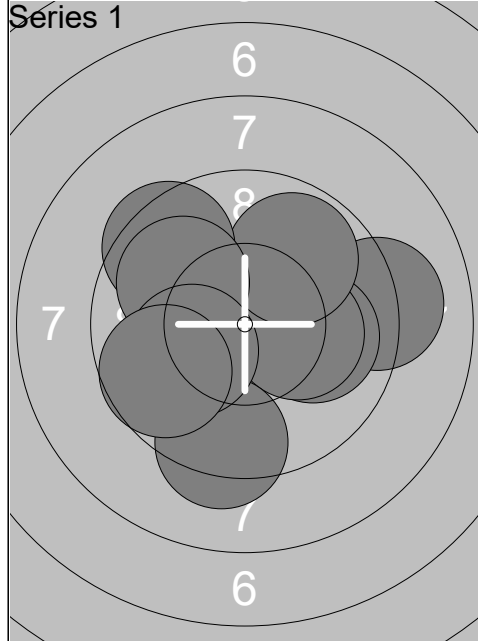
1:	9.8	←
2:	9.7	↑
3:	10.2x	↖
4:	9.5	↗
5:	9.9	↖
6:	9.3	→
7:	9.6	↑
8:	9.6	→
9:	10.2x	↖
10:	10.0	←
Series	97.8	
	397.4	



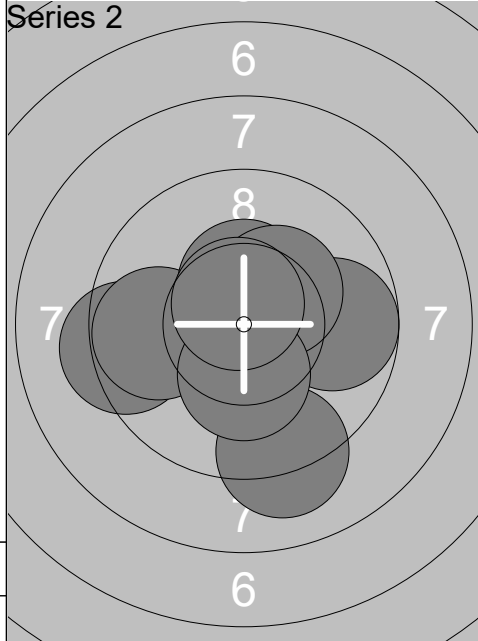
1:	10.7x	↘
2:	10.6x	↑
3:	9.7	↓
4:	10.5x	←
5:	10.4x	↘
6:	10.5x	↓
7:	10.3x	↓
8:	10.2x	←
9:	10.0	↓
10:	7.9	←
Series	100.8	
	498.2	



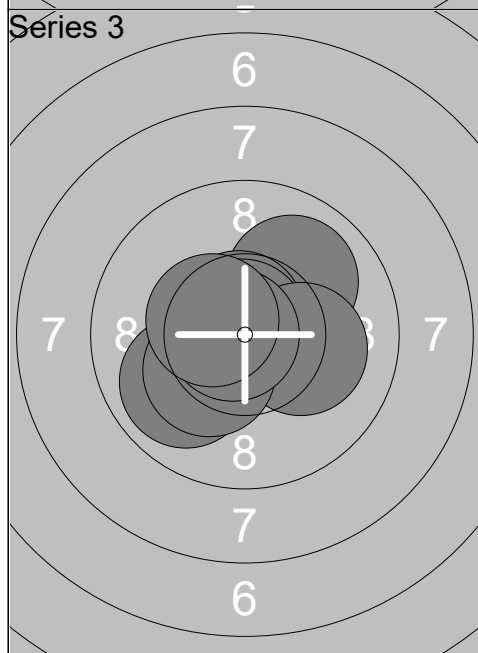
1:	10.1	↖
2:	10.3x	↘
3:	10.1	↗
4:	9.6	↑
5:	10.8x	←
6:	9.0	⇒
7:	9.8	↖
8:	9.1	←
9:	9.0	↖
10:	9.9	←
Series	97.7	
	595.9	



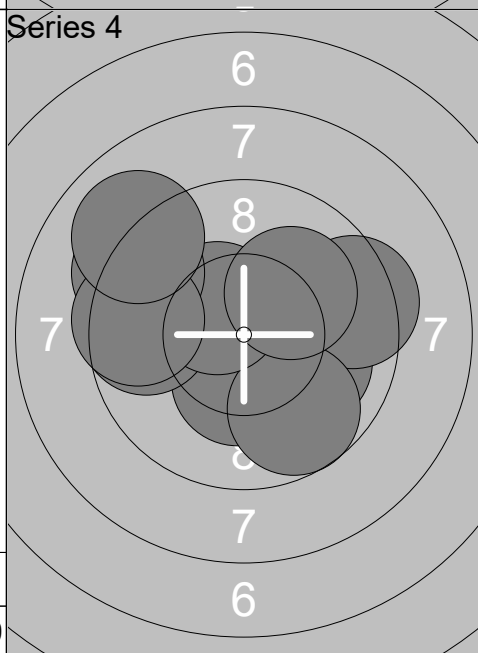
1:	9.1	→
2:	10.3x	→
3:	10.0	→
4:	10.2x	→
5:	9.9	↗
6:	9.5	↖
7:	9.9	↖
8:	9.3	↓
9:	10.2x	↙
10:	9.7	↙
Series		98.1
		98.1



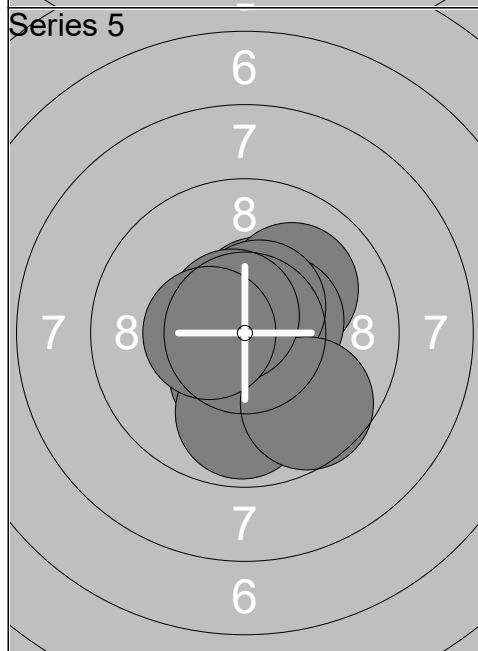
1:	9.3	←
2:	9.8	←
3:	10.5x	↗
4:	9.1	↓
5:	10.6x	↗
6:	9.7	→
7:	10.4x	↑
8:	10.3x	↗
9:	10.3x	↓
10:	10.7x	↑
Series		100.7
		198.8



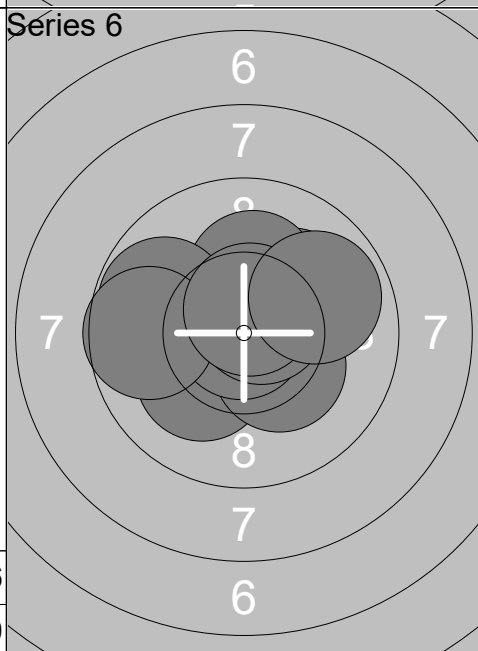
1:	10.4x	↗
2:	10.0	↗
3:	10.7x	↖
4:	9.9	↖
5:	10.8x	↖
6:	10.5x	↙
7:	10.2x	→
8:	10.3x	↙
9:	10.8x	←
10:	10.5x	↙
Series		104.1
		302.9



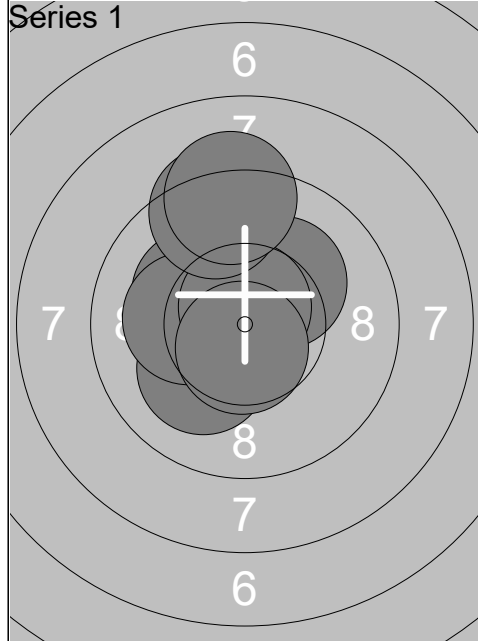
1:	10.3x	↓
2:	10.1	→
3:	9.4	→
4:	9.7	↓
5:	9.6	←
6:	10.4x	↖
7:	9.3	↖
8:	10.1	↗
9:	9.5	←
10:	9.0	↖
Series		97.4
		400.3



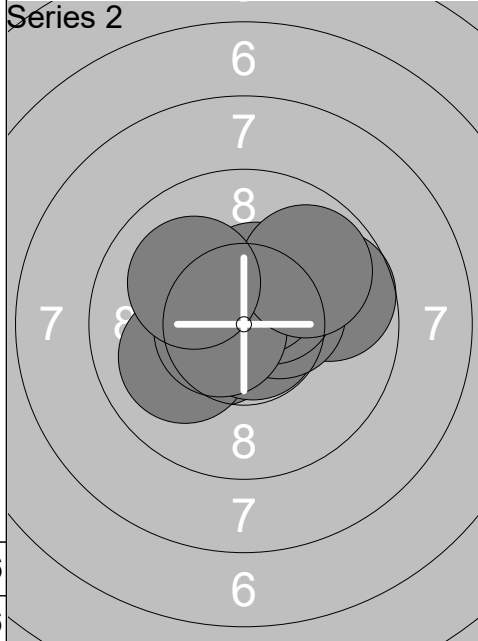
1:	10.5x	↖
2:	10.1	↖
3:	10.7x	↖
4:	10.5x	→
5:	10.4x	↓
6:	9.9	↓
7:	10.6x	↖
8:	9.7	↓
9:	10.7x	↖
10:	10.5x	←
Series		103.6
		503.9



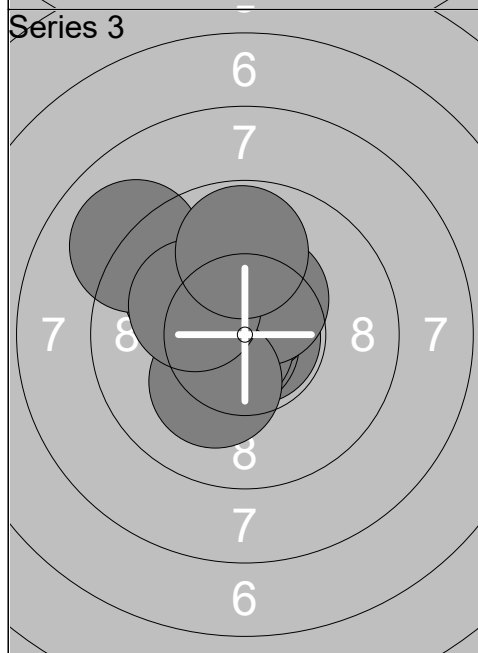
1:	10.1	↖
2:	10.2x	↙
3:	10.3x	↘
4:	10.2x	↑
5:	10.9x	←
6:	9.8	←
7:	9.7	←
8:	10.7x	↖
9:	10.6x	↑
10:	9.9	↖
Series		102.4
		606.3



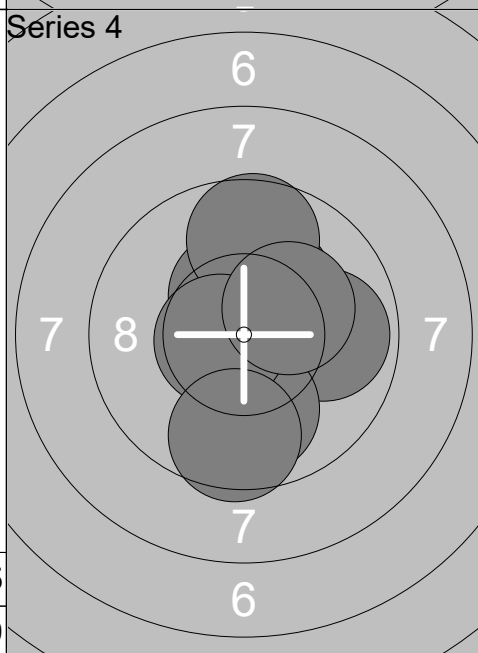
1:	10.6x	↑
2:	10.4x	↖
3:	10.1	↙
4:	10.2x	↖
5:	10.2x	↗
6:	10.2x	←
7:	10.7x	↑
8:	10.6x	↓
9:	9.4	↑
10:	9.2	↑
Series	101.6	
	101.6	



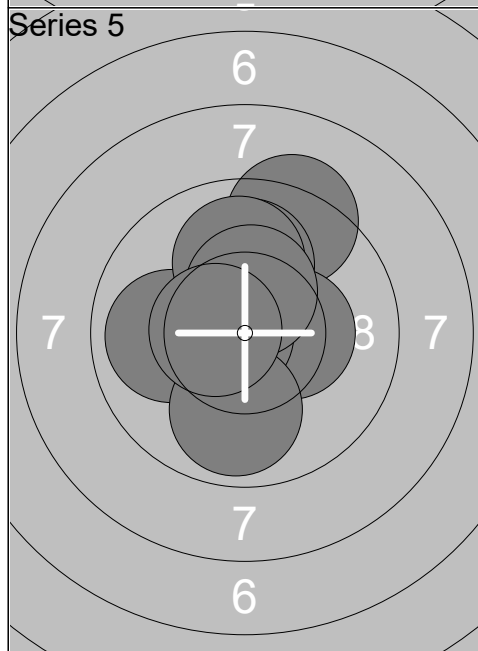
1:	10.5x	↙
2:	10.0	↙
3:	9.7	→
4:	10.8x	↘
5:	10.5x	→
6:	10.4x	↗
7:	10.4x	↑
8:	10.6x	←
9:	9.8	↗
10:	10.1	↖
Series	102.8	
	204.4	



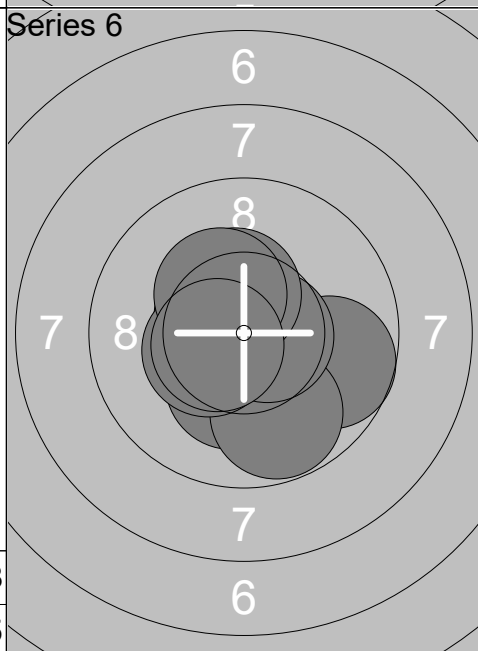
1:	10.8x	→
2:	10.8x	↙
3:	10.6x	↑
4:	10.7x	↙
5:	10.4x	↗
6:	10.0	↖
7:	9.0	↖
8:	10.2x	↘
9:	10.2x	↖
10:	9.8	↑
Series	102.5	
	306.9	



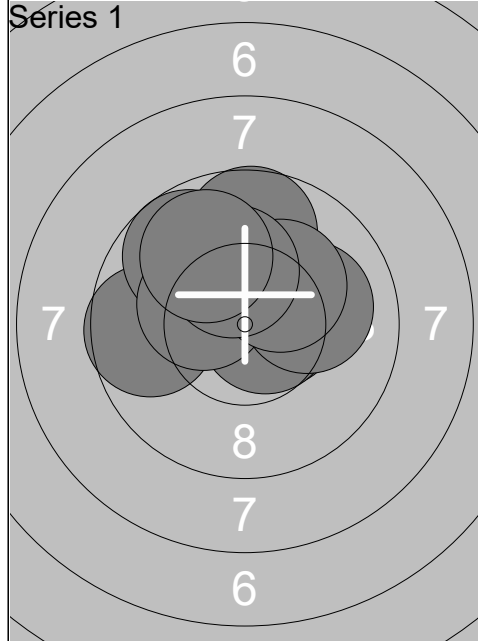
1:	10.7x	←
2:	9.9	→
3:	10.4x	↑
4:	9.9	↓
5:	10.2x	↗
6:	10.6x	↗
7:	9.7	↑
8:	10.6x	←
9:	9.6	↓
10:	10.2x	↗
Series	101.8	
	408.7	



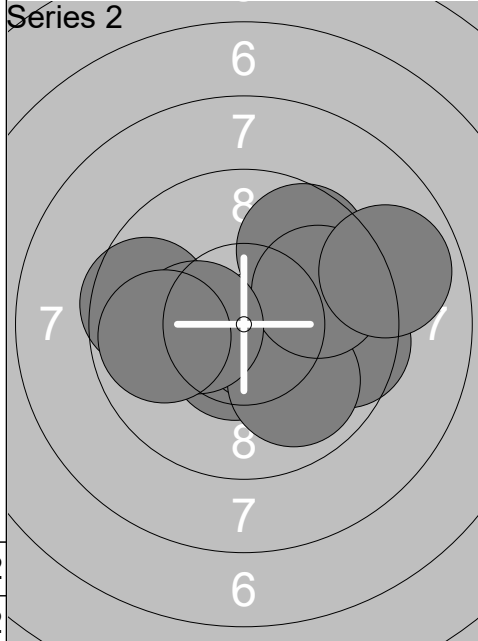
1:	9.3	↑
2:	10.6x	→
3:	10.0	↑
4:	10.0	←
5:	10.4x	→
6:	10.0	↑
7:	10.7x	←
8:	9.9	↓
9:	10.4x	↑
10:	10.5x	←
Series	101.8	
	510.5	



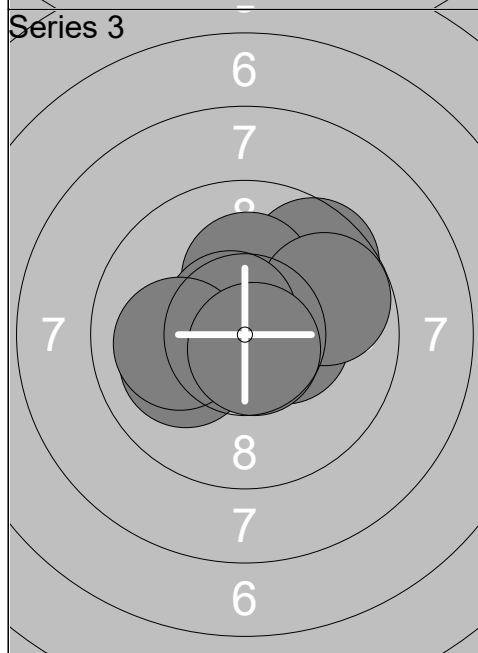
1:	10.5x	↙
2:	10.3x	↓
3:	10.6x	↖
4:	9.7	→
5:	9.8	↓
6:	10.6x	→
7:	10.4x	←
8:	10.4x	↑
9:	10.3x	↖
10:	10.6x	←
Series	103.2	
	613.7	



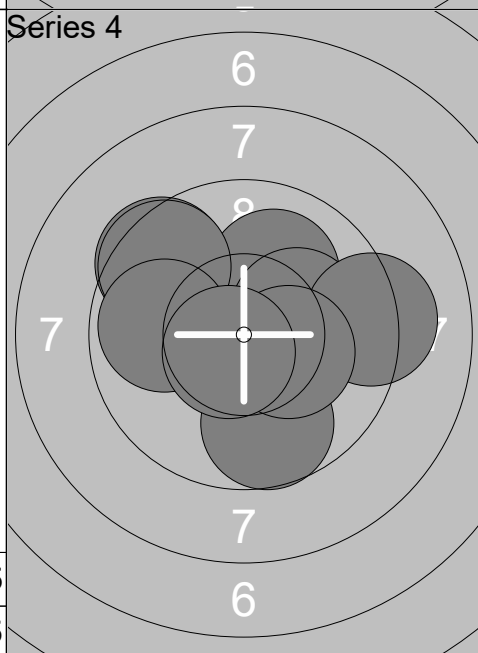
1:	9.7	←
2:	10.5x	→
3:	9.8	↖
4:	10.7x	→
5:	10.3x	↖
6:	9.7	↑
7:	10.1	→
8:	10.3x	↗
9:	10.2x	↑
10:	9.9	↖
Series	101.2	
	101.2	



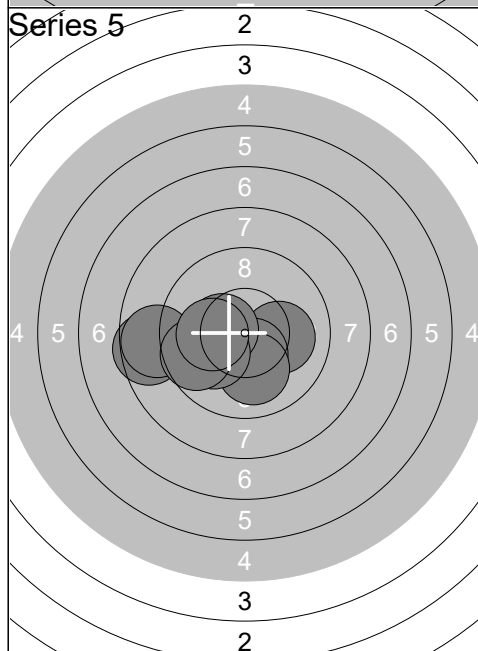
1:	10.5x	↓
2:	9.6	→
3:	10.6x	↘
4:	9.6	←
5:	9.7	↗
6:	9.9	↓
7:	9.8	↗
8:	10.3x	←
9:	9.9	←
10:	8.9	→
Series	98.8	
	200.0	



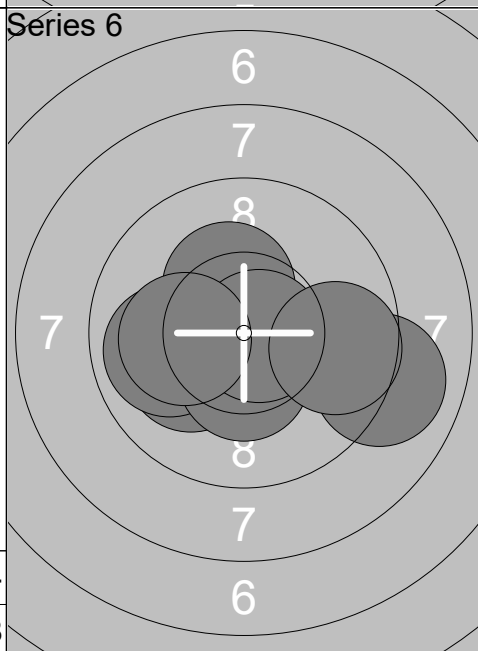
1:	10.4x	→
2:	9.6	↗
3:	10.2x	↑
4:	10.9x	↖
5:	10.1	←
6:	9.8	↗
7:	10.6x	↖
8:	10.1	←
9:	10.1	←
10:	10.7x	↓
Series	102.5	
	302.5	



1:	10.0	←
2:	10.0	↗
3:	9.5	↖
4:	9.5	↖
5:	10.2x	→
6:	9.7	↓
7:	9.2	→
8:	10.3x	↘
9:	9.9	←
10:	10.6x	↘
Series	98.9	
	401.4	



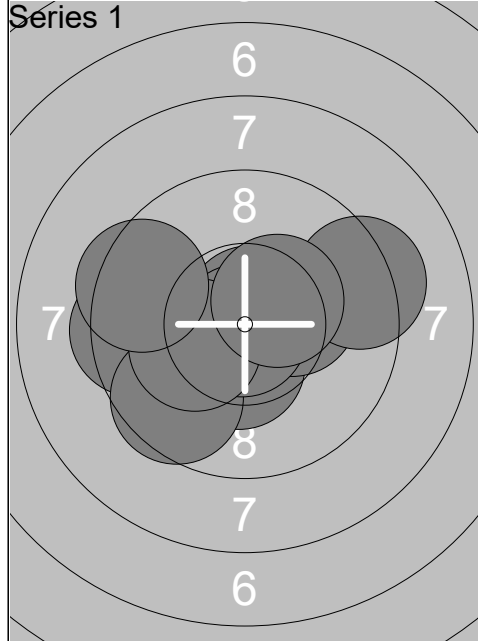
1:	8.6	←
2:	10.1	→
3:	10.2x	↖
4:	10.4x	↓
5:	10.1	↓
6:	10.4x	←
7:	10.1	↖
8:	8.8	←
9:	9.6	←
10:	10.1	←
Series	98.4	
	499.8	



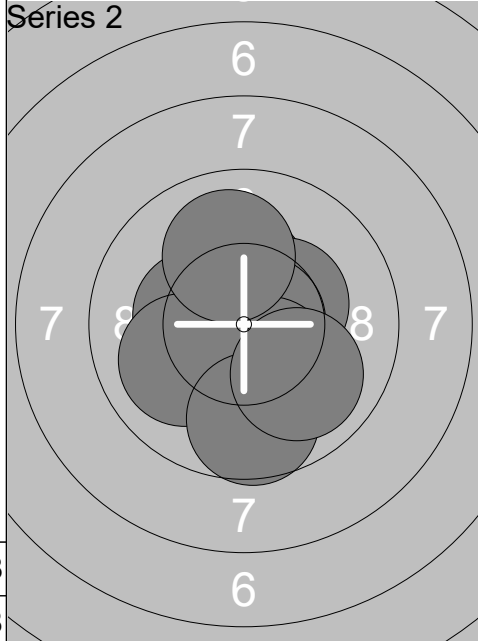
1:	10.1	↖
2:	9.9	←
3:	10.7x	↓
4:	10.7x	↖
5:	9.0	→
6:	10.3x	↑
7:	10.4x	↓
8:	10.8x	→
9:	9.7	→
10:	10.1	←
Series	101.7	
	601.5	

Relay	Lane	Leonora Sørli Kristensen		
6	28	NOR	WJ	R
Qual Day 2		Denmark Open Air 2026		Denmark Open Air 2026
11.02.2026				
Series 1 	1: 10.5x ←	Series 2 	1: 10.7x ↖	
	2: 9.8 ↘		2: 10.5x ↖	
	3: 10.3x →		3: 10.3x ↑	
	4: 10.6x ↘		4: 10.2x ↘	
	5: 10.8x ↑		5: 10.7x ←	
	6: 9.8 ↘		6: 9.5 →	
	7: 10.1 ↘		7: 10.4x ↘	
	8: 10.4x ↗		8: 10.3x ↓	
	9: 10.6x ↑		9: 10.3x ↗	
	10: 10.4x ↑		10: 10.6x ↑	
	Series 103.3	Series 103.5		
	103.3	206.8		
Series 3 	1: 10.1 →	Series 4 	1: 10.3x ←	
	2: 9.7 ↗		2: 10.1 ←	
	3: 10.3x →		3: 10.6x ↖	
	4: 10.4x →		4: 10.2x ↑	
	5: 9.7 ↙		5: 10.3x →	
	6: 10.3x ←		6: 9.7 ↙	
	7: 10.7x ↙		7: 10.2x ←	
	8: 10.8x ↑		8: 2.8 ←	
	9: 10.7x ←		9: 10.4x ↘	
	10: 10.7x ↖		10: 10.7x ↖	
	Series 103.4	Series 95.3		
	310.2	405.5		
Series 5 	1: 10.0 ↑	Series 6 	1: 9.9 →	
	2: 10.4x ←		2: 10.0 ←	
	3: 10.3x ↓		3: 10.3x ↗	
	4: 9.4 ←		4: 10.1 ↖	
	5: 9.9 ←		5: 10.1 ←	
	6: 9.6 ↙		6: 10.6x →	
	7: 10.6x ↖		7: 9.2 →	
	8: 10.2x →		8: 10.4x →	
	9: 10.3x ↙		9: 9.8 →	
	10: 9.9 →		10: 10.7x ←	
	Series 100.6	Series 101.1		
	506.1	607.2		

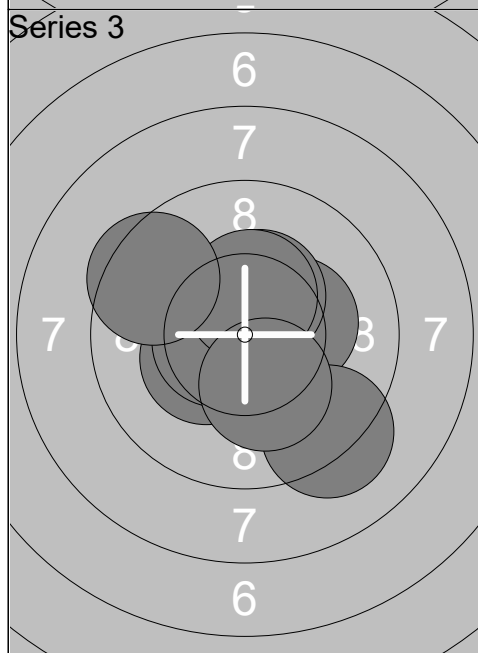
Relay	Lane	Veronica Viola Lautrup Kristen			
6	29	DEN		WJ	R
Qual Day 2		Denmark Open Air 2026		Denmark Open Air 2026	
11.02.2026		Denmark Open Air 2026		Denmark Open Air 2026	
Series 1		1: 10.2x ↑	Series 2		1: 9.0 ↑
		2: 9.3 →			2: 9.6 ↑
		3: 8.2 ↗			3: 8.5 →
		4: 8.5 ↗			4: 10.7x →
		5: 10.7x ↓			5: 9.9 ↘
		6: 10.2x ↖			6: 8.7 →
		7: 10.0 ↗			7: 8.4 ↑
		8: 9.7 ↖			8: 9.4 ←
		9: 8.5 ↗			9: 8.3 →
		10: 7.8 →			10: 9.2 ↘
		Series 93.1			Series 91.7
		93.1			184.8
Series 3		1: 9.4 →	Series 4		1: 8.0 →
		2: 9.5 ↖			2: 10.2x ↓
		3: 10.7x ↙			3: 10.4x ↖
		4: 9.8 ↗			4: 9.4 ←
		5: 7.4 ←			5: 9.3 ↙
		6: 7.7 →			6: 7.0 →
		7: 9.1 ↖			7: 10.1 ↓
		8: 9.7 →			8: 10.4x →
		9: 10.2x ↘			9: 9.0 ←
		10: 8.3 →			10: 9.3 →
		Series 91.8			Series 93.1
		276.6			369.7
Series 5		1: 9.6 ↑	Series 6		1: 9.5 ↓
		2: 7.8 →			2: 7.3 →
		3: 8.8 ↗			3: 10.6x →
		4: 9.5 ↖			4: 9.2 ↑
		5: 10.8x ↓			5: 8.5 ↖
		6: 10.4x ↗			6: 10.7x ↗
		7: 9.3 ↗			7: 9.9 ←
		8: 9.9 ↗			8: 8.1 →
		9: 8.0 ↖			9: 9.9 ←
		10: 6.5 →			10: 10.4x ↙
		Series 90.6			Series 94.1
		460.3			554.4



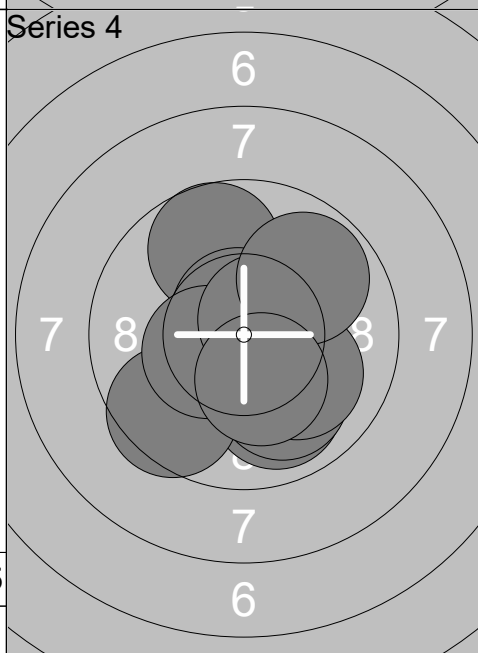
1:	9.5	←
2:	10.4x	↓
3:	9.6	↙
4:	10.3x	→
5:	10.8x	↗
6:	10.9x	↓
7:	10.2x	↙
8:	9.3	→
9:	9.4	↖
10:	10.4x	↗
Series	100.8	
	100.8	



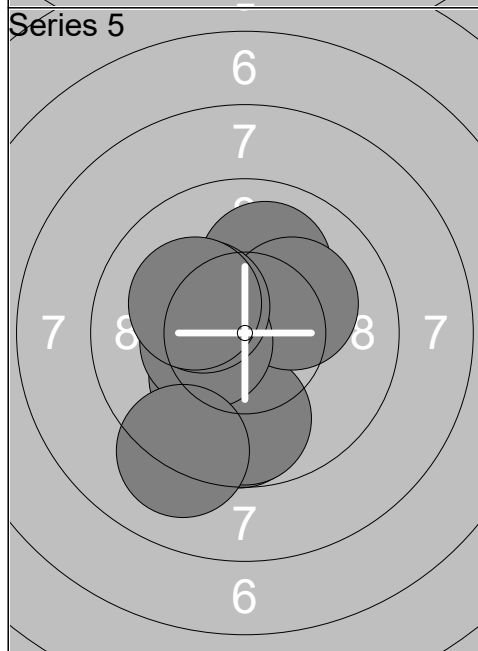
1:	10.3x	↑
2:	10.3x	↗
3:	10.4x	↖
4:	10.7x	→
5:	10.0	↓
6:	10.4x	↓
7:	10.0	↖
8:	10.0	↑
9:	9.7	↓
10:	10.0	↘
Series	101.8	
	202.6	



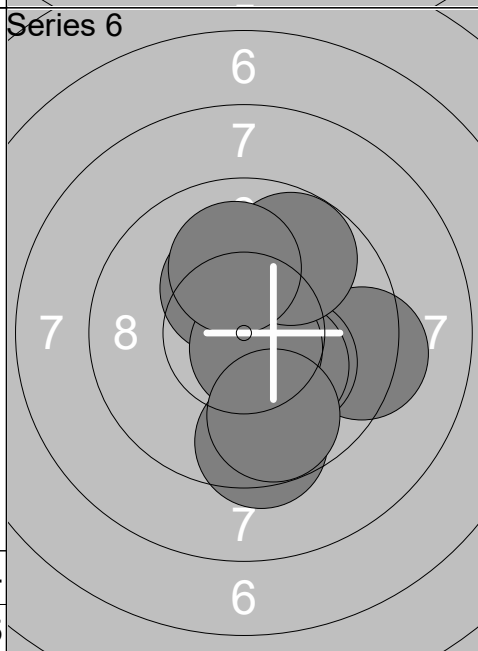
1:	10.7x	↑
2:	10.8x	↑
3:	10.4x	↖
4:	10.3x	→
5:	10.4x	↗
6:	10.6x	↖
7:	9.2	↘
8:	10.4x	↑
9:	10.2x	↓
10:	9.5	↖
Series	102.5	
	305.1	



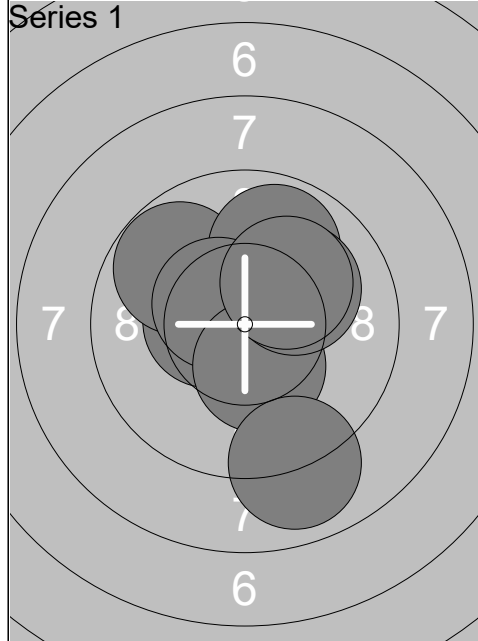
1:	9.9	↓
2:	10.0	↓
3:	9.7	↑
4:	10.7x	↑
5:	9.5	↙
6:	10.4x	↖
7:	10.6x	↗
8:	10.0	↘
9:	9.9	↗
10:	10.3x	↓
Series	101.0	
	406.1	



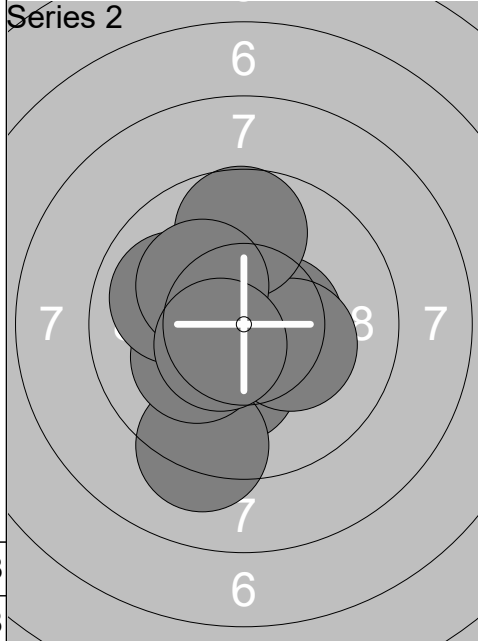
1:	10.0	↑
2:	10.5x	↖
3:	9.7	↓
4:	10.2x	↘
5:	9.8	↓
6:	10.2x	↗
7:	10.4x	↖
8:	10.3x	↖
9:	10.2x	↖
10:	9.1	↓
Series	100.4	
	506.5	



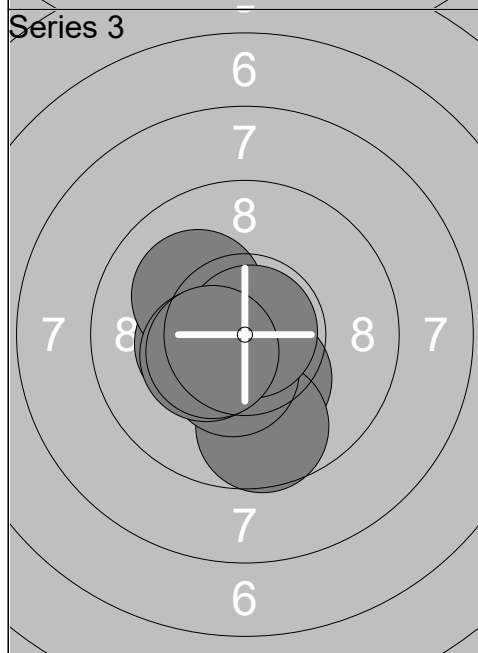
1:	10.2x	→
2:	9.3	→
3:	10.2x	↘
4:	10.3x	↘
5:	10.3x	↑
6:	9.5	↓
7:	10.7x	↘
8:	9.8	↗
9:	9.8	↓
10:	10.1	↑
Series	100.2	
	606.7	



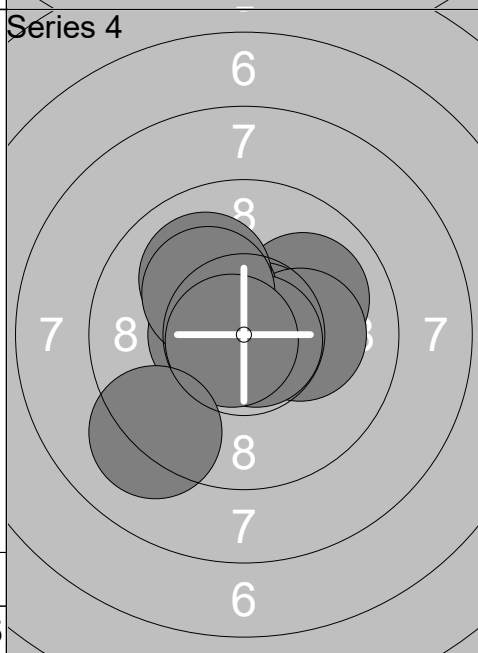
1:	10.8x ↗
2:	10.7x ↖
3:	10.5x ↖
4:	9.8 ↖
5:	9.9 ↗
6:	10.5x ↖
7:	10.4x ↓
8:	8.9 ↓
9:	10.1 ↗
10:	10.2x ↗
Series	101.8
	101.8



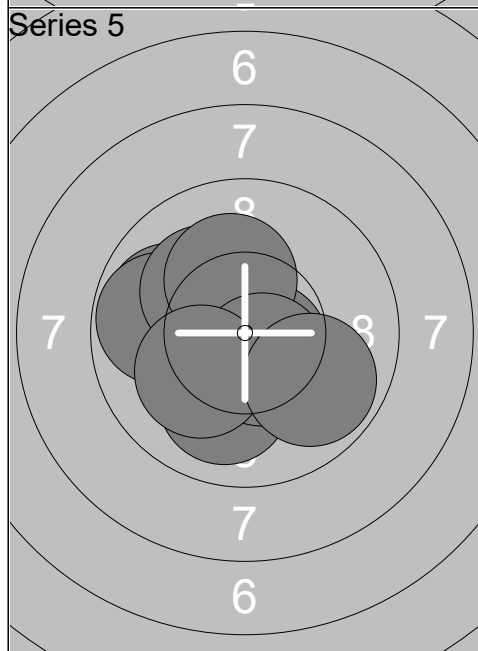
1:	10.2x ↓
2:	10.5x →
3:	10.9x ↖
4:	10.2x →
5:	9.2 ↓
6:	10.2x ↙
7:	10.0 ↖
8:	9.7 ↑
9:	10.2x ↖
10:	10.5x ↙
Series	101.6
	203.4



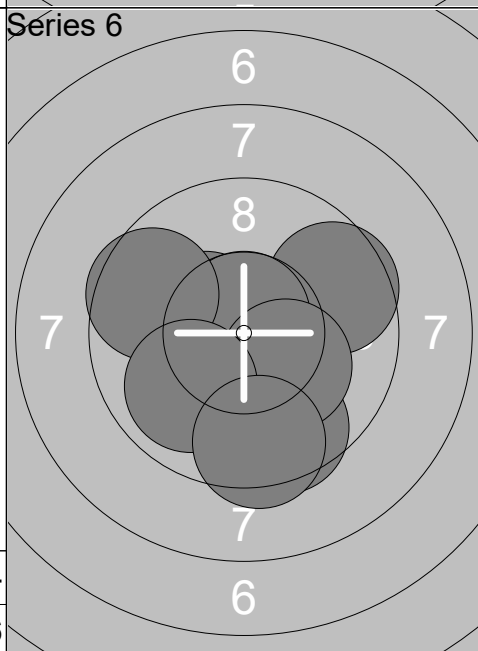
1:	10.4x ↖
2:	10.7x ↙
3:	10.3x ↓
4:	10.1 ↖
5:	10.7x ↓
6:	9.7 ↓
7:	10.5x ↓
8:	10.4x ↙
9:	10.8x →
10:	10.5x ↙
Series	104.1
	307.5



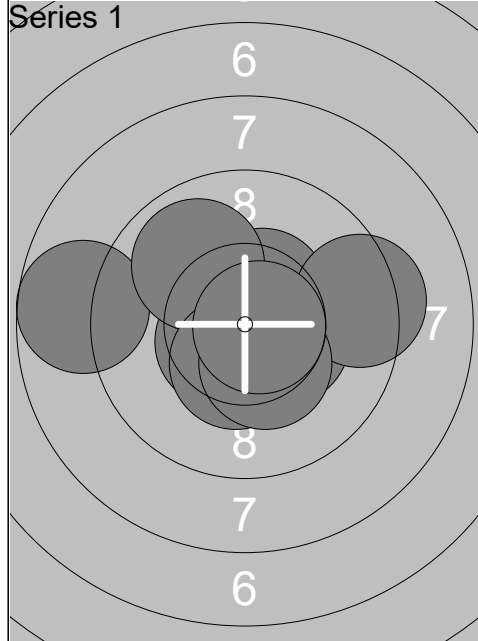
1:	10.0 ↗
2:	10.7x →
3:	10.2x →
4:	10.3x ↖
5:	10.5x ↖
6:	10.8x →
7:	10.0 ↗
8:	10.2x ↖
9:	10.8x ↙
10:	9.2 ↓
Series	102.7
	410.2



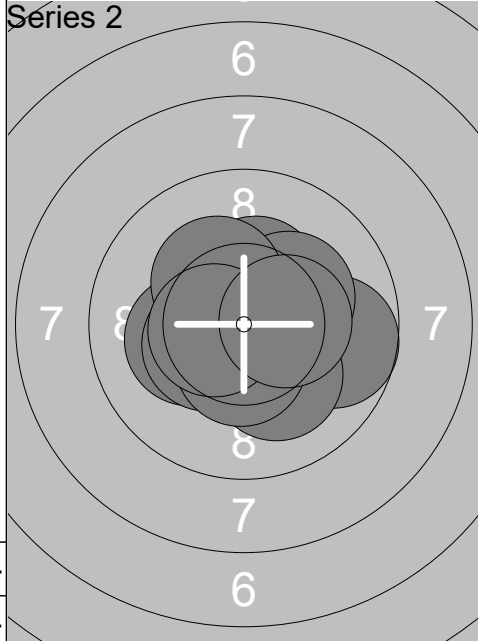
1:	9.9 ↖
2:	9.8 ↖
3:	10.6x ↘
4:	10.2x ↗
5:	10.2x ↓
6:	10.0 ↓
7:	10.2x ↑
8:	10.5x ↓
9:	10.2x ↙
10:	9.8 ↘
Series	101.4
	511.6



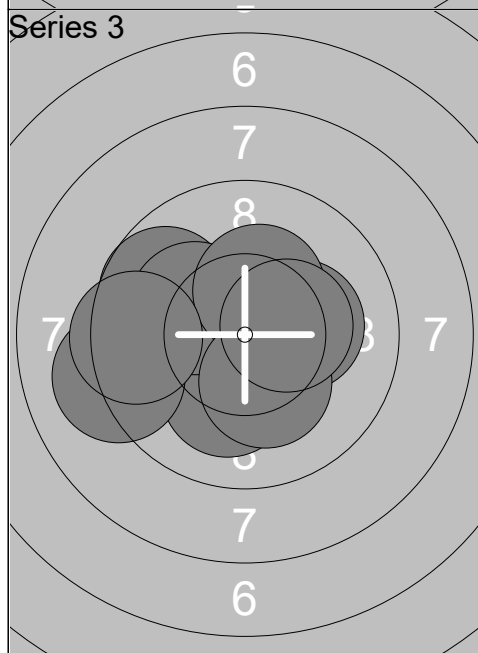
1:	10.7x ↓
2:	9.6 ↗
3:	10.0 ↓
4:	10.4x ↖
5:	10.8x ↑
6:	9.6 ↓
7:	10.3x ↘
8:	9.6 ↖
9:	9.9 ↙
10:	9.5 ↓
Series	100.4
	612.0



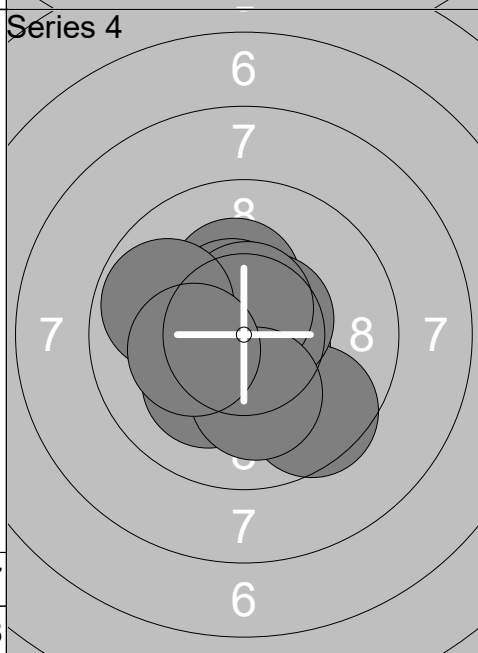
1:	10.4x	→
2:	10.5x	↗
3:	9.3	→
4:	10.5x	↙
5:	8.8	←
6:	10.5x	↓
7:	9.9	↗
8:	10.4x	↓
9:	10.4x	↓
10:	10.7x	→
Series	101.4	
	101.4	



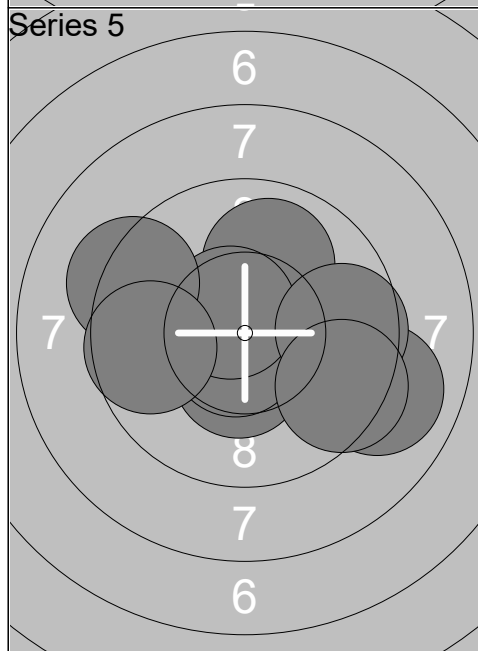
1:	10.2x	←
2:	10.4x	↗
3:	9.7	→
4:	10.1	↓
5:	10.2x	↗
6:	10.4x	↙
7:	10.5x	↓
8:	10.3x	↖
9:	10.5x	←
10:	10.4x	→
Series	102.7	
	204.1	



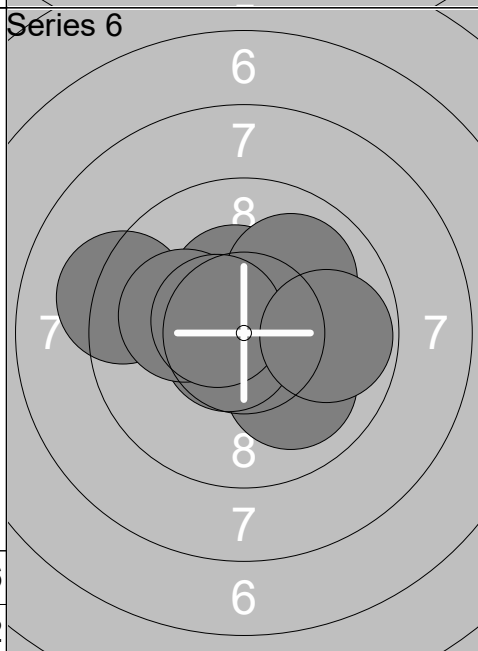
1:	10.7x	↗
2:	9.7	↖
3:	10.2x	↓
4:	10.2x	→
5:	10.2x	↙
6:	10.3x	↗
7:	9.2	←
8:	10.3x	↓
9:	9.5	←
10:	10.4x	→
Series	100.7	
	304.8	



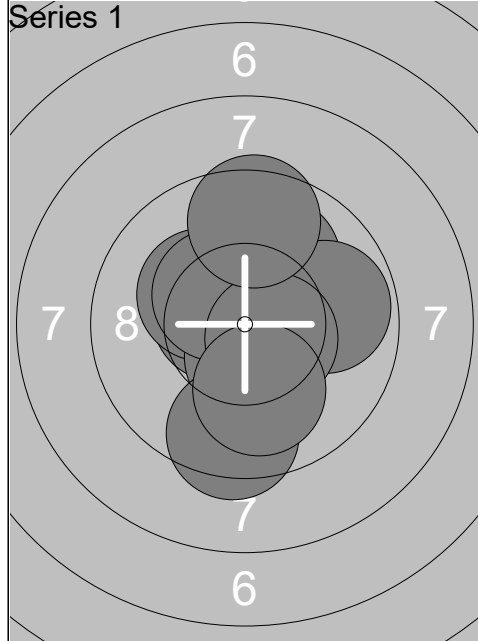
1:	10.6x	↘
2:	10.3x	↗
3:	9.6	↘
4:	10.5x	↗
5:	10.2x	↙
6:	10.6x	↗
7:	10.6x	↗
8:	9.9	↖
9:	10.2x	↓
10:	10.3x	←
Series	102.8	
	407.6	



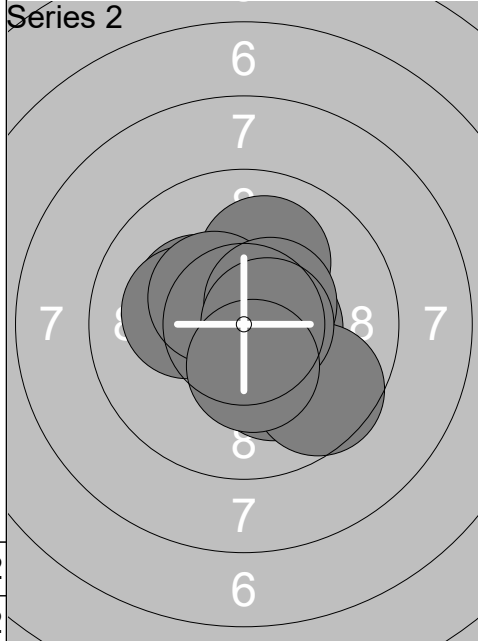
1:	10.8x	↗
2:	10.0	↗
3:	10.4x	↓
4:	9.0	→
5:	10.7x	↓
6:	10.6x	↖
7:	9.3	←
8:	9.6	→
9:	9.5	↘
10:	9.7	←
Series	99.6	
	507.2	



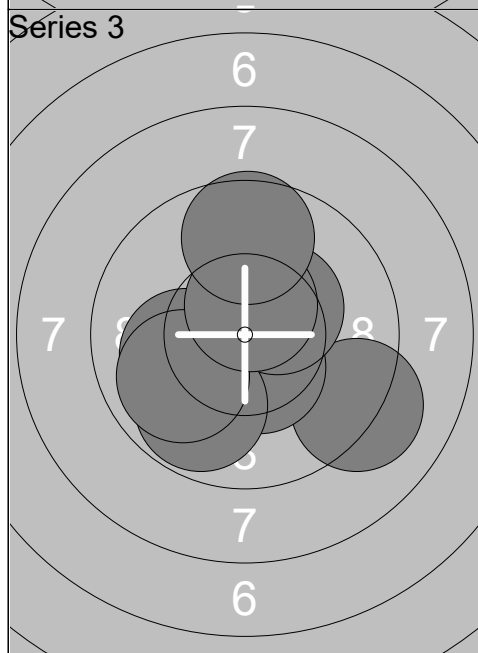
1:	9.3	←
2:	10.4x	↗
3:	10.5x	↙
4:	10.5x	↘
5:	10.0	↘
6:	10.7x	↙
7:	10.0	↗
8:	10.1	←
9:	10.6x	↙
10:	9.8	→
Series	101.9	
	609.1	



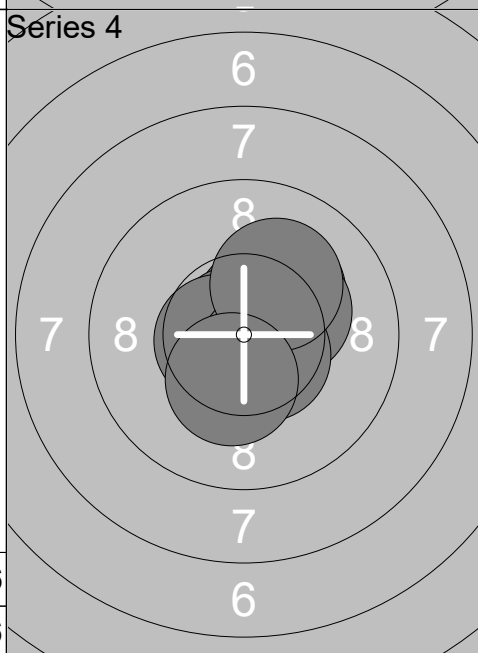
1:	10.6x ←
2:	10.3x ↖
3:	10.0 ↗
4:	10.5x ↓
5:	9.8 →
6:	10.4x ↗
7:	9.5 ↓
8:	10.5x ↘
9:	10.1 ↓
10:	9.5 ↑
Series	101.2
	101.2



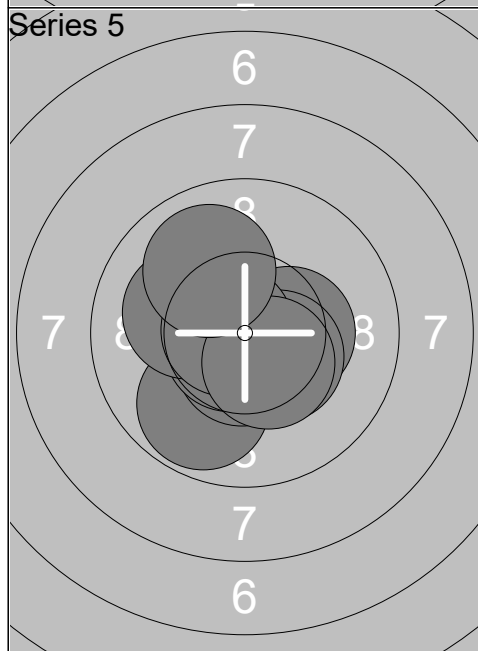
1:	10.5x →
2:	10.2x ↓
3:	10.3x ↖
4:	10.2x ←
5:	10.1 ↗
6:	9.6 ↓
7:	10.4x ↖
8:	10.5x ↗
9:	10.6x →
10:	10.4x ↓
Series	102.8
	204.0



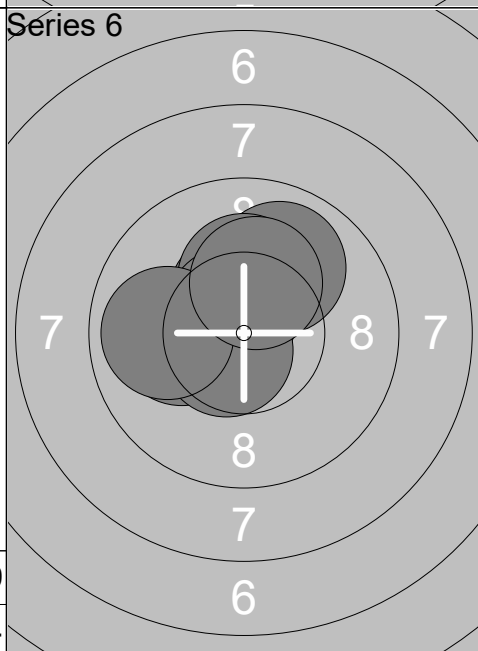
1:	10.1 ←
2:	10.7x →
3:	10.8x ↗
4:	9.2 ↓
5:	10.5x ↓
6:	10.4x ↗
7:	9.8 ↓
8:	9.9 ←
9:	10.6x ↑
10:	9.6 ↑
Series	101.6
	305.6



1:	10.2x ↗
2:	10.5x ↗
3:	10.3x ↗
4:	10.8x ←
5:	10.9x ↖
6:	10.6x ↓
7:	10.6x ←
8:	10.6x ↓
9:	10.1 ↗
10:	10.3x ↓
Series	104.9
	410.5



1:	9.9 ↓
2:	10.7x ↓
3:	10.6x ↓
4:	10.7x ↖
5:	10.3x →
6:	10.4x ↘
7:	10.1 ←
8:	10.7x ←
9:	10.5x ↓
10:	10.0 ↗
Series	103.9
	514.4

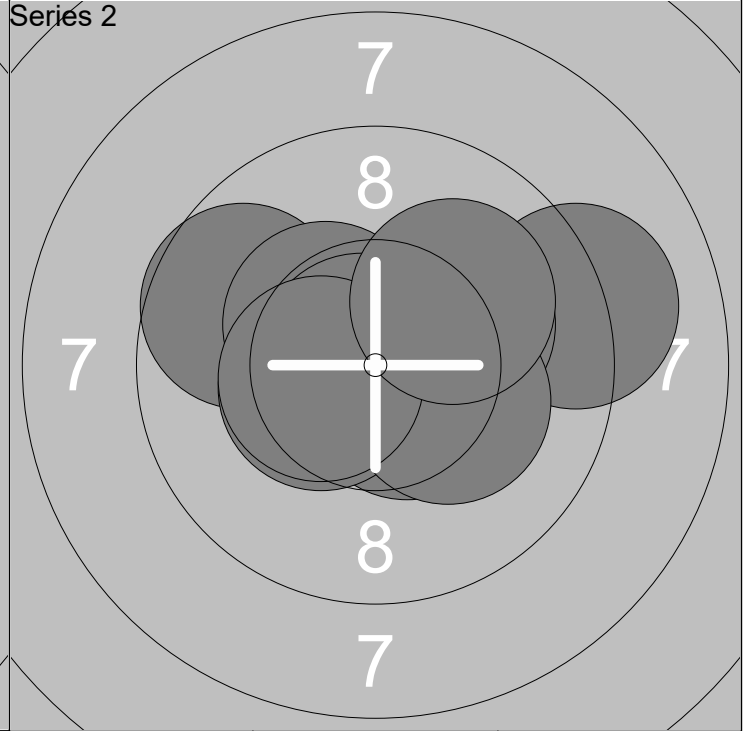
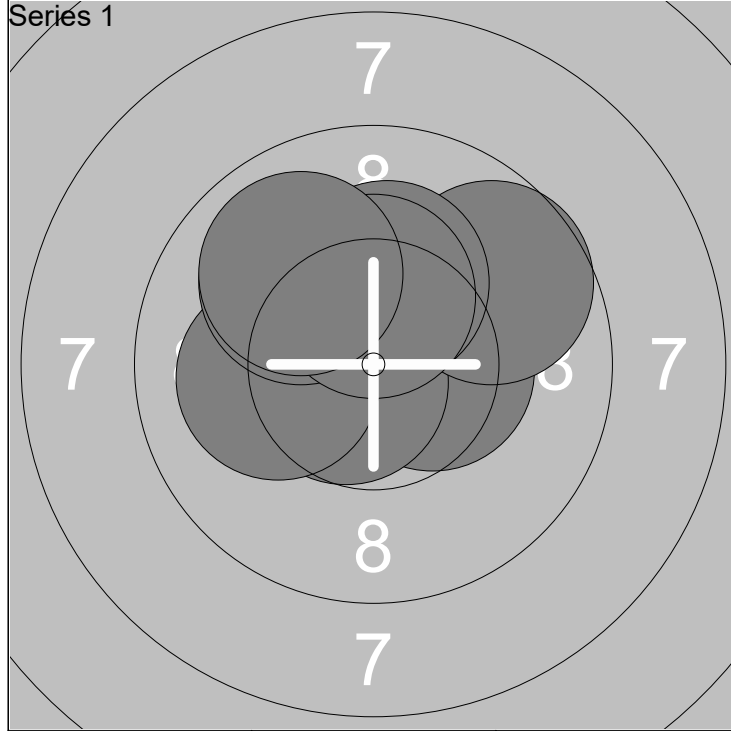


1:	9.9 ↗
2:	10.7x ←
3:	10.5x ↗
4:	10.1 ←
5:	10.2x ↑
6:	10.5x ←
7:	10.6x ↖
8:	10.6x ↖
9:	9.9 ←
10:	10.3x ↑
Series	103.3
	617.7

Relay 6	Lane 34	Anna Olesen
-------------------	-------------------	--------------------

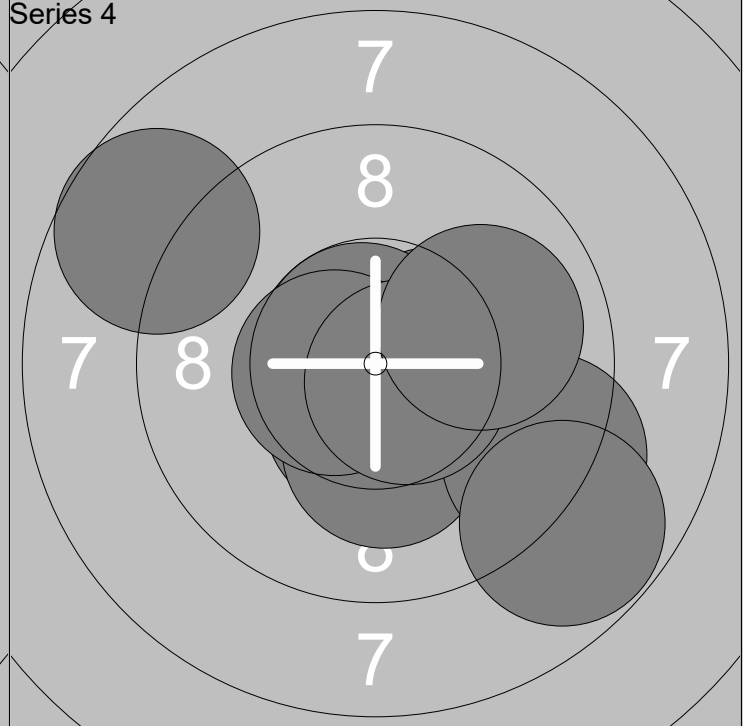
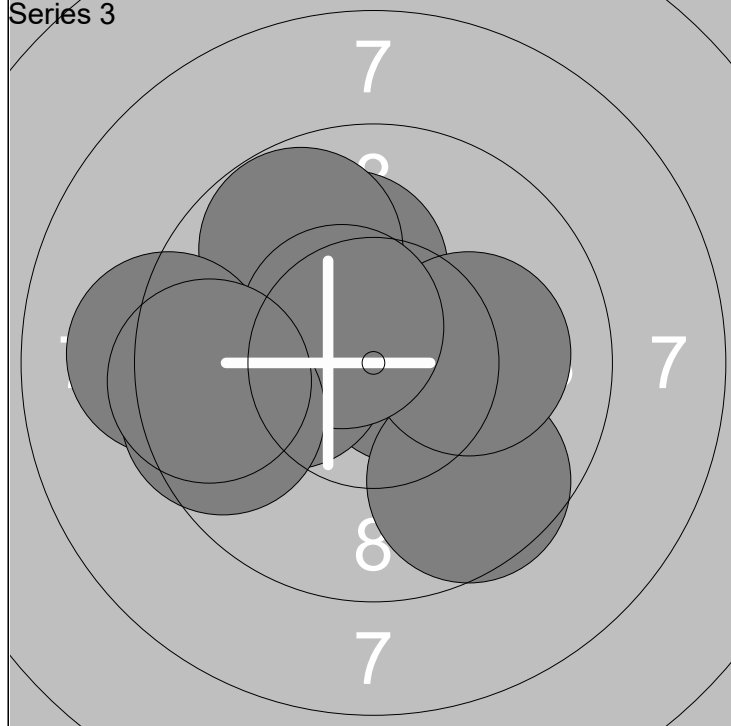
Qual Day 2	DEN	WJ	R
------------	-----	----	---

11.02.2026	Denmark Open Air 2026	Denmark Open Air 2026
------------	-----------------------	-----------------------



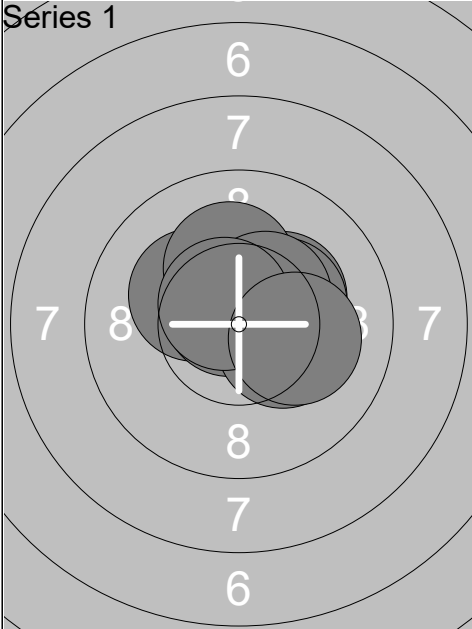
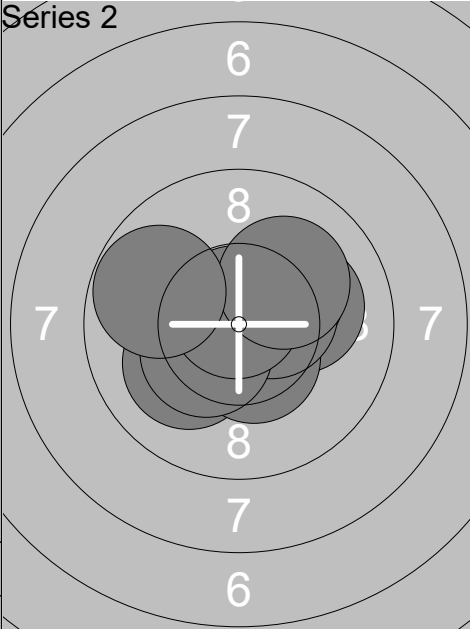
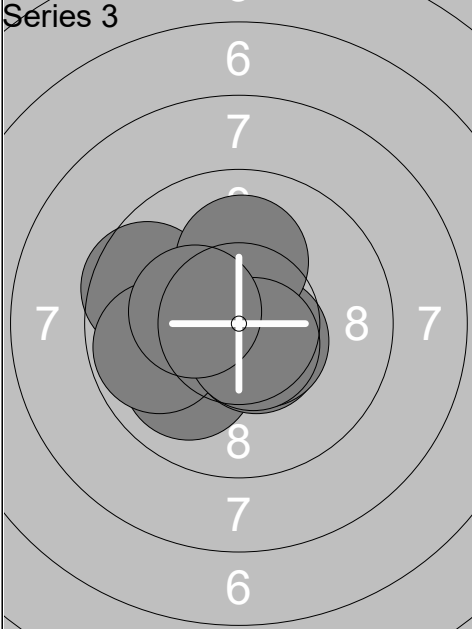
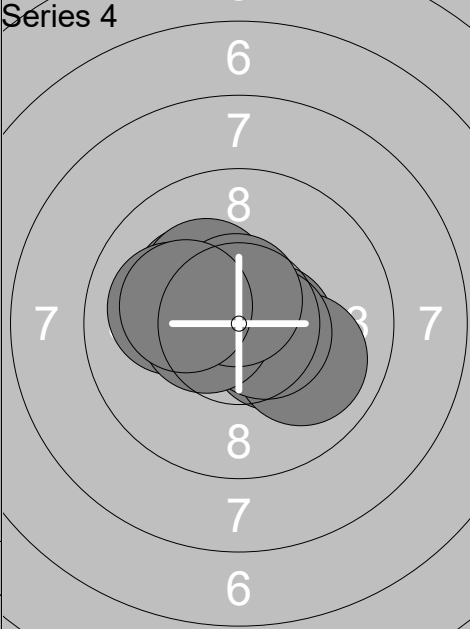
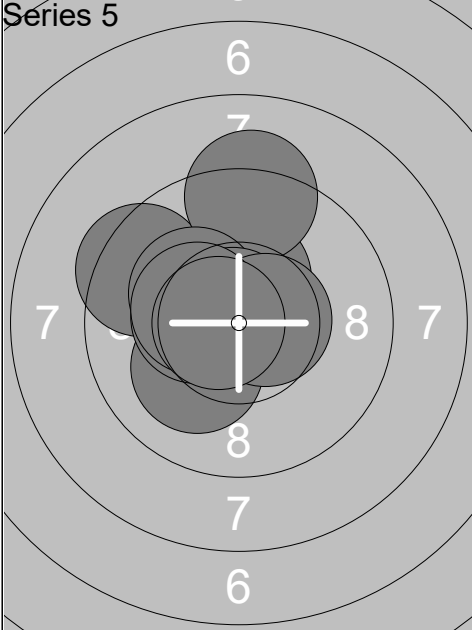
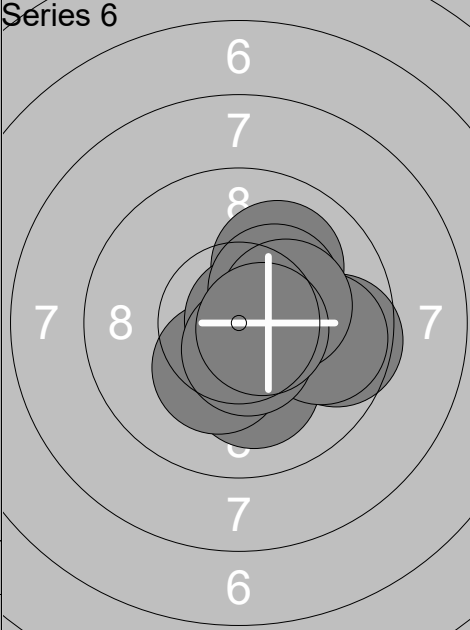
1: 10.2x ↖	6: 9.7 ↗	Series	102.5
2: 10.9x ↗	7: 10.0 ↖		
3: 10.4x →	8: 10.2x ↑	Series	102.5
4: 10.7x ↙	9: 10.4x ↑		
5: 10.1 ←	10: 9.9 ↖		

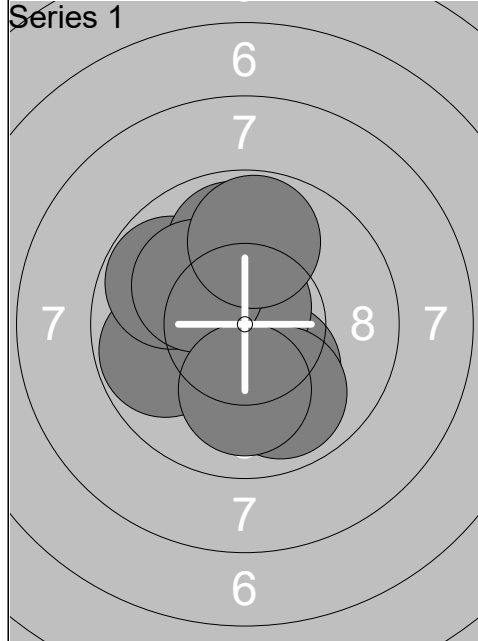
1: 10.6x ↘	6: 10.2x ↗	Series	102.1
2: 9.7 ↖	7: 10.4x ↙		
3: 9.1 →	8: 10.3x ↘	Series	204.6
4: 10.4x ↗	9: 10.5x ↙		
5: 10.8x ↖	10: 10.1 ↗		



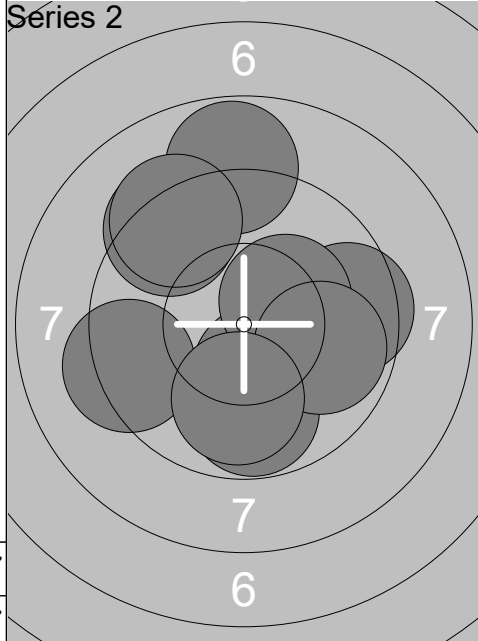
1: 10.6x →	6: 9.1 ←	Series	99.1
2: 10.2x ←	7: 10.1 →		
3: 9.6 ↘	8: 10.5x ↗	Series	303.7
4: 10.1 ↗	9: 9.6 ←		
5: 9.8 ↗	10: 9.5 ←		

1: 10.4x →	6: 8.7 ↖	Series	99.9
2: 10.5x ↘	7: 9.3 ↘		
3: 10.8x ↗	8: 10.6x ↘	Series	403.6
4: 10.2x ↘	9: 8.8 ↘		
5: 10.6x ←	10: 10.0 →		

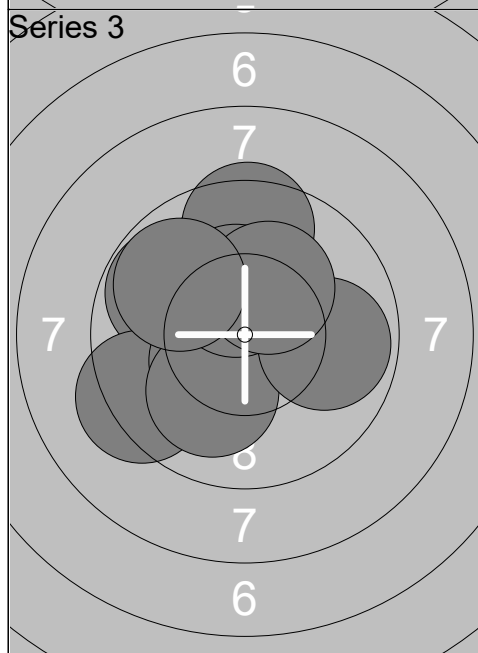
Relay	Lane	Nicoline Rahr		
6	35	DEN	WJ	R
Qual Day 2		Denmark Open Air 2026		Denmark Open Air 2026
11.02.2026		Denmark Open Air 2026		Denmark Open Air 2026
Series 1 	1: 10.2x ↖	Series 2 	1: 10.6x →	
	2: 10.7x ↗		2: 10.1 →	
	3: 10.3x ↗		3: 10.3x ↗	
	4: 10.7x ↖		4: 10.1 ↙	
	5: 10.3x →		5: 10.4x ↘	
	6: 10.3x →		6: 10.5x →	
	7: 10.2x ↑		7: 10.4x ↙	
	8: 10.5x ↗		8: 10.8x ↑	
	9: 10.6x ↖		9: 10.1 ↗	
	10: 10.2x →		10: 9.8 ↖	
	Series 104.0		Series 103.1	
	104.0		207.1	
Series 3 	1: 10.0 ↙	Series 4 	1: 10.4x →	
	2: 10.6x ↘		2: 10.5x →	
	3: 10.8x ↖		3: 10.0 ↘	
	4: 10.5x ↘		4: 10.3x ↖	
	5: 10.1 ←		5: 10.6x →	
	6: 9.6 ↖		6: 10.3x ↖	
	7: 10.1 ↑		7: 10.1 ←	
	8: 9.8 ↖		8: 10.5x ↖	
	9: 10.6x ↘		9: 10.6x ↑	
	10: 10.3x ↖		10: 10.2x ↖	
	Series 102.4		Series 103.5	
	309.5		413.0	
Series 5 	1: 9.4 ↖	Series 6 	1: 10.1 ↘	
	2: 10.3x ↑		2: 10.0 ↗	
	3: 10.1 ↙		3: 10.3x ↘	
	4: 9.2 ↑		4: 9.6 →	
	5: 10.2x ↖		5: 10.8x →	
	6: 10.4x ↖		6: 9.8 →	
	7: 10.8x ↖		7: 10.3x ↗	
	8: 10.6x →		8: 10.6x ↘	
	9: 10.4x ↖		9: 10.3x →	
	10: 10.7x ↖		10: 10.6x →	
	Series 102.1		Series 102.4	
	515.1		617.5	



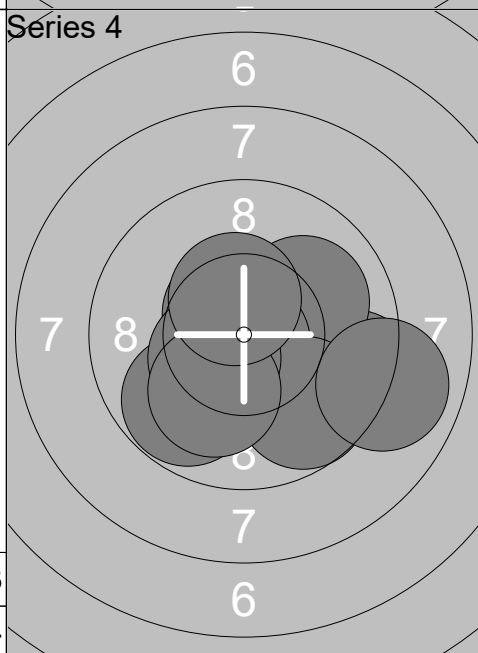
1:	9.8	←
2:	10.2x	↘
3:	10.4x	↗
4:	9.8	↖
5:	10.7x	↗
6:	9.9	↑
7:	10.1	↖
8:	9.8	↑
9:	9.9	↘
10:	10.1	↘
Series	100.7	
	100.7	



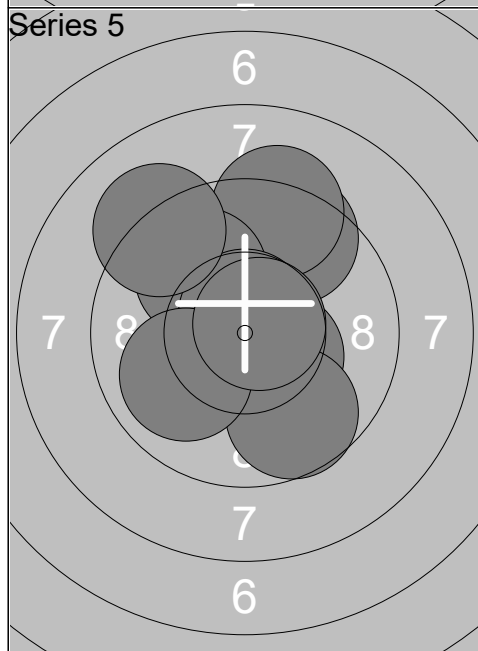
1:	10.3x	↘
2:	9.8	↘
3:	8.8	↑
4:	9.3	←
5:	9.5	→
6:	10.3x	↗
7:	9.9	→
8:	9.9	↘
9:	9.3	↗
10:	9.3	↗
Series	96.4	
	197.1	



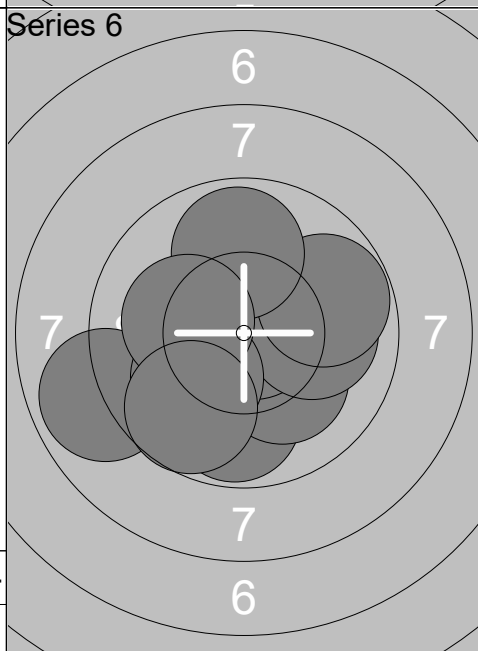
1:	9.8	↖
2:	9.3	←
3:	10.0	↑
4:	10.4x	↙
5:	10.1	↘
6:	9.9	→
7:	9.5	↑
8:	10.3x	↑
9:	10.2x	↗
10:	9.8	↖
Series	99.3	
	296.4	



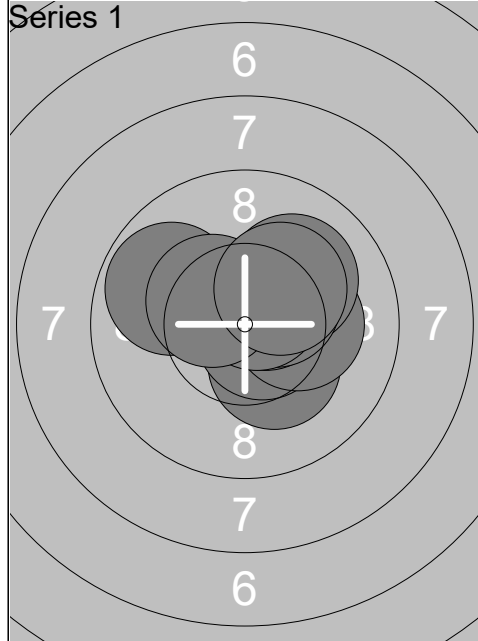
1:	9.4	→
2:	10.0	↗
3:	10.8x	↘
4:	10.6x	↖
5:	9.7	↘
6:	9.8	↘
7:	10.4x	↙
8:	9.0	→
9:	10.1	↘
10:	10.5x	↑
Series	100.3	
	396.7	



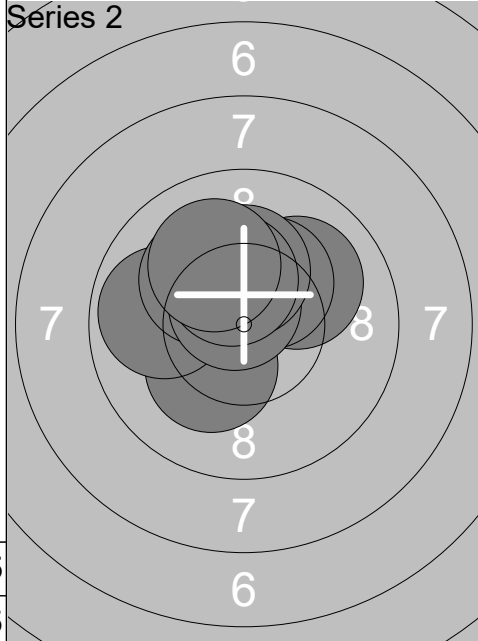
1:	10.0	↑
2:	10.4x	↘
3:	9.5	↗
4:	9.7	↘
5:	9.3	↑
6:	10.0	↖
7:	10.7x	↑
8:	9.1	↖
9:	10.0	←
10:	10.7x	↗
Series	99.4	
	496.1	



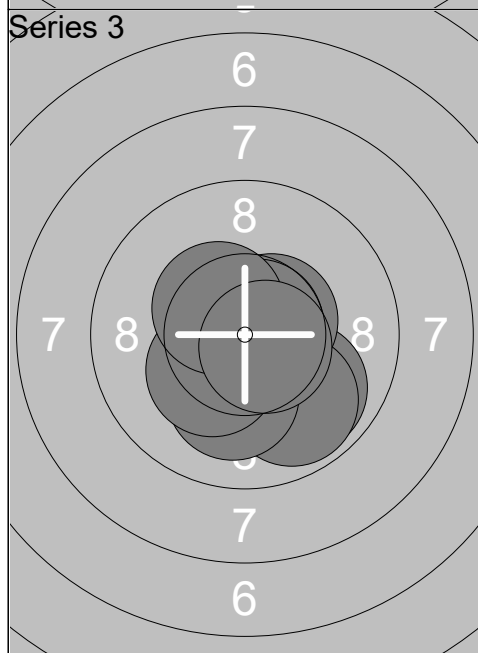
1:	9.8	↘
2:	10.2x	↘
3:	8.9	←
4:	10.8x	→
5:	10.0	→
6:	9.8	↗
7:	9.9	↑
8:	10.1	↙
9:	10.2x	←
10:	9.7	↘
Series	99.4	
	595.5	



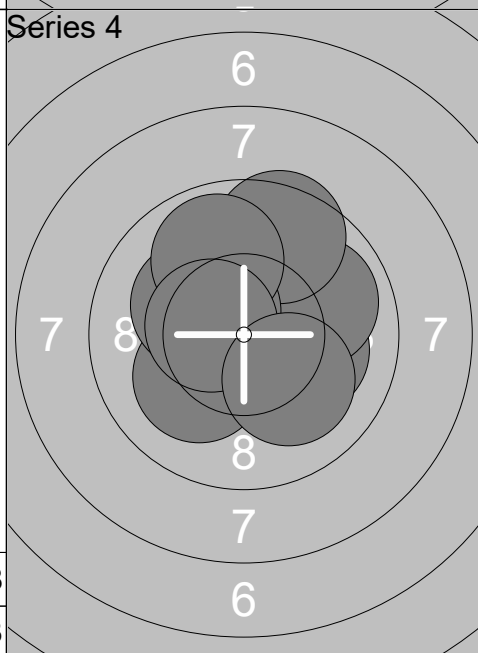
1:	10.3x ↘
2:	10.7x ➤
3:	10.2x ➔
4:	10.6x ↗
5:	9.9 ↙
6:	10.1 ↗
7:	10.4x ↗
8:	10.6x ↗
9:	10.4x ↘
10:	10.3x ↗
Series	103.5
	103.5



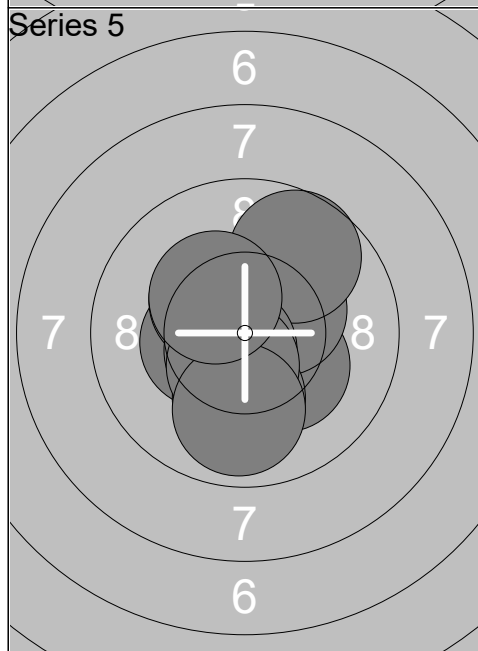
1:	10.0 ↗
2:	10.2x ↘
3:	10.2x ↘
4:	9.9 ←
5:	10.2x ↘
6:	10.3x ↗
7:	10.6x ↗
8:	10.2x ↑
9:	10.3x ↑
10:	10.1 ↗
Series	102.0
	205.5



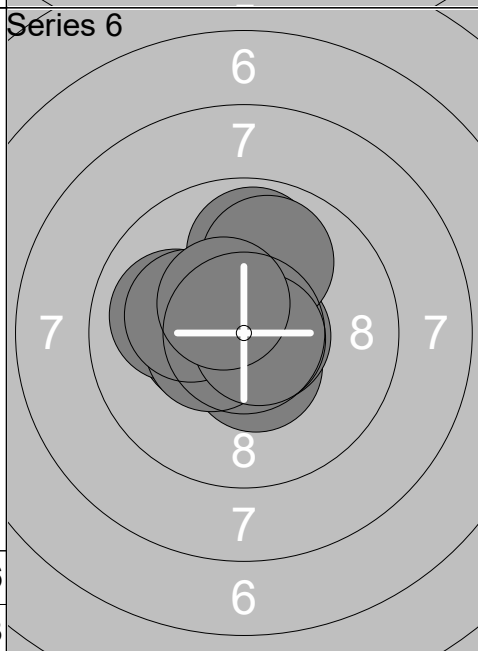
1:	10.7x ➤
2:	9.9 ↘
3:	9.9 ↘
4:	10.5x ↗
5:	10.6x ↘
6:	10.1 ↓
7:	10.3x ↘
8:	10.8x ↗
9:	10.4x ↘
10:	10.6x ➤
Series	103.8
	309.3



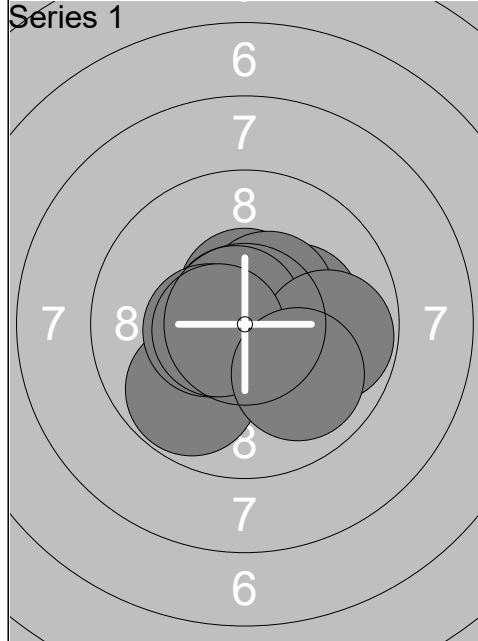
1:	10.6x ↘
2:	10.1 ➔
3:	9.9 ➔
4:	9.6 ↑
5:	10.4x ↘
6:	10.1 ↘
7:	10.2x ↘
8:	9.9 ↑
9:	10.5x ↙
10:	10.1 ↘
Series	101.4
	410.7



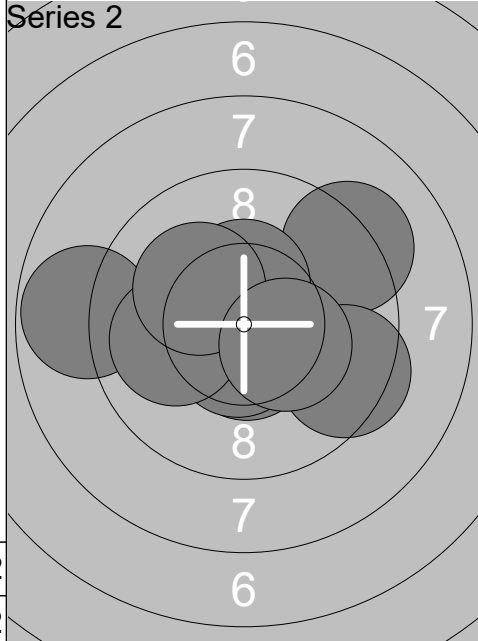
1:	10.3x ↘
2:	10.4x ↙
3:	10.4x ↗
4:	10.4x ↘
5:	10.1 ↓
6:	9.7 ↗
7:	10.6x ↘
8:	10.5x ↘
9:	9.9 ↓
10:	10.3x ↘
Series	102.6
	513.3



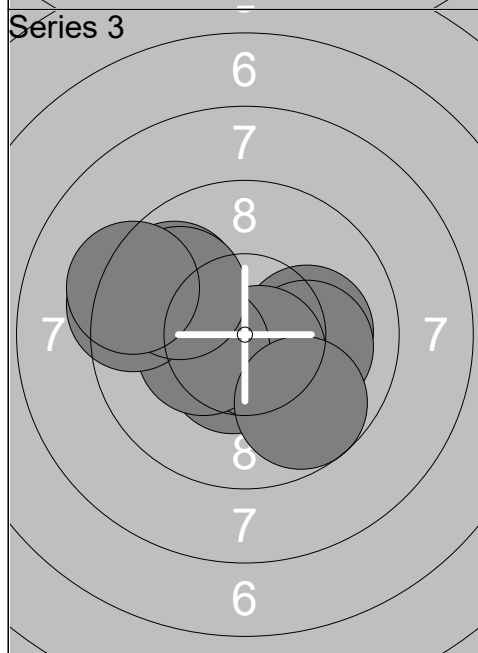
1:	10.4x ↙
2:	9.9 ↑
3:	10.0 ←
4:	10.5x ↘
5:	10.5x ↙
6:	10.7x ➔
7:	10.2x ↙
8:	9.9 ↑
9:	10.7x ➤
10:	10.5x ↘
Series	103.3
	616.6



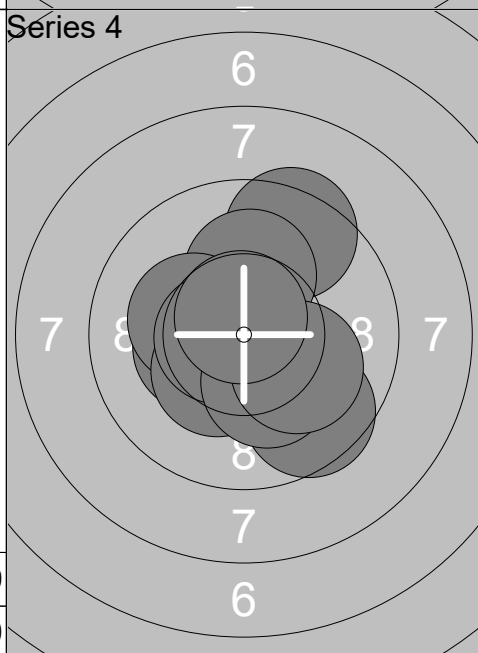
1:	10.3x →
2:	10.5x ↑
3:	10.5x ↙
4:	9.8 ↘
5:	10.5x ↗
6:	10.7x ↖
7:	10.5x ←
8:	9.8 →
9:	10.6x ←
10:	10.0 ↘
Series	103.2
	103.2



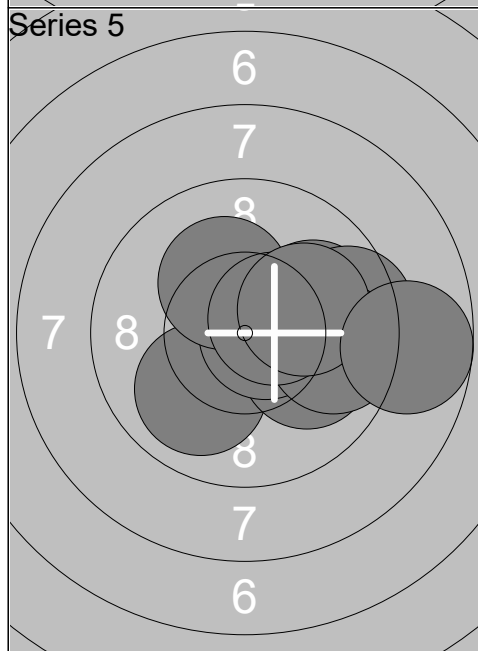
1:	10.6x ↓
2:	8.8 ←
3:	9.2 ↗
4:	10.6x ↓
5:	9.5 ⇒
6:	10.3x ←
7:	10.0 ←
8:	10.4x ↑
9:	10.2x ↖
10:	10.3x ⇒
Series	99.9
	203.1



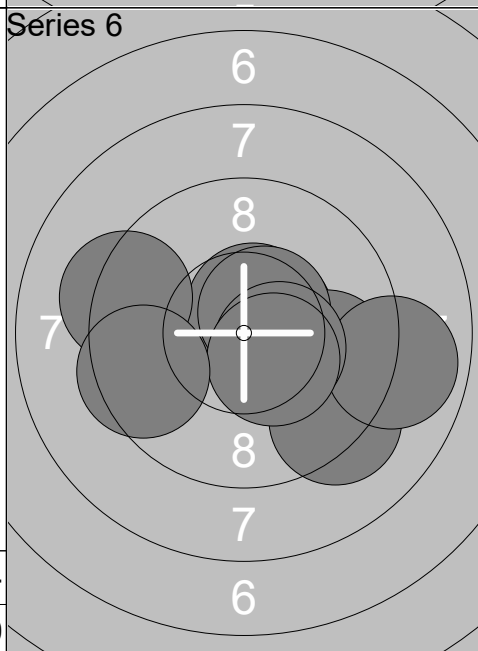
1:	10.5x ↓
2:	10.1 →
3:	10.1 →
4:	10.6x ↘
5:	10.4x ←
6:	9.4 ←
7:	9.8 ↗
8:	9.9 ↗
9:	9.8 ↘
10:	9.3 ←
Series	99.9
	303.0



1:	9.5 ↑
2:	10.1 ↑
3:	10.3x ←
4:	10.2x ←
5:	10.3x ↙
6:	10.6x ←
7:	9.6 ↘
8:	10.2x ↓
9:	10.1 ⇒
10:	10.7x ↑
Series	101.6
	404.6



1:	10.0 ↘
2:	10.0 ⇒
3:	10.7x →
4:	10.2x ↖
5:	10.0 →
6:	9.5 →
7:	9.7 →
8:	10.5x ↗
9:	10.1 ↗
10:	8.7 →
Series	99.4
	504.0



1:	10.6x ↗
2:	9.8 ⇒
3:	10.6x ↑
4:	9.3 ↘
5:	10.6x ↗
6:	8.9 →
7:	10.4x ⇒
8:	10.4x ↘
9:	9.3 ←
10:	9.5 ←
Series	99.4
	603.4