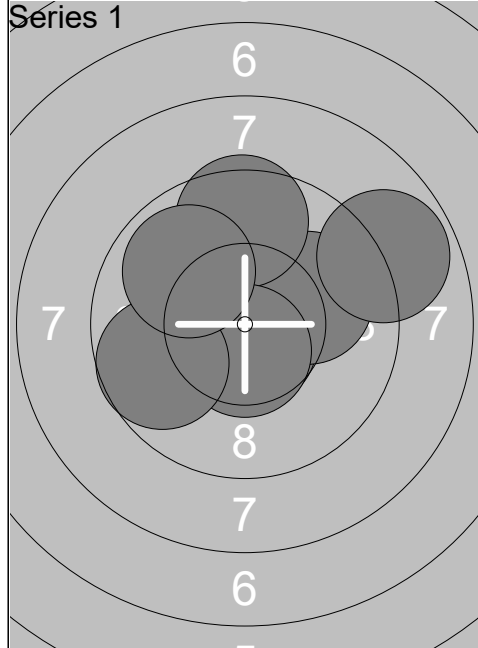
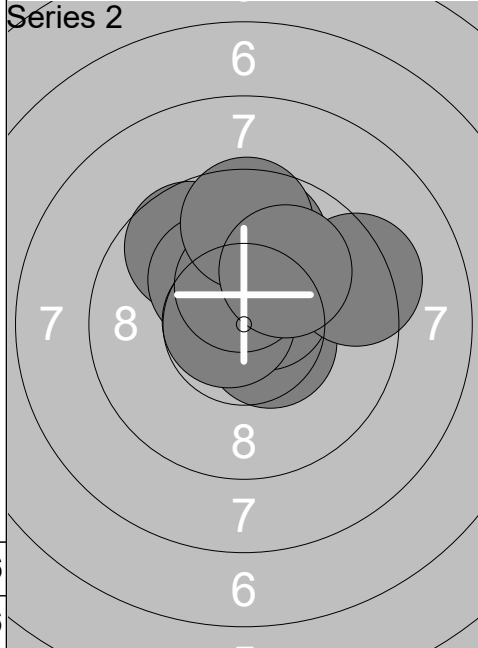


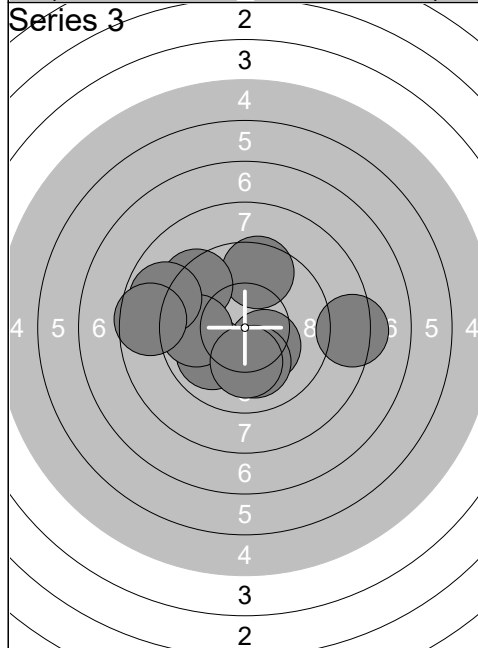
Relay	Lane	Sara Alexis		
2	2	DEN	W	R
11.02.2026	Denmark Open Air 2026	Denmark Open Air 2026		
Series 1 	1: 10.4x ↙	Series 2 	1: 10.3x →	
	2: 9.7 ↑		2: 10.5x ↙	
	3: 9.7 ↑		3: 10.3x ↘	
4: 10.2x ↖	4: 10.7x ↓	4: 10.7x ↙		
5: 10.4x ↓	5: 10.7x ↙	5: 10.7x ↙		
6: 9.9 ↘	6: 9.9 ←	6: 9.9 ←		
7: 10.4x ↑	7: 10.2x ↑	7: 10.2x ↑		
8: 10.7x ↘	8: 10.7x ↖	8: 10.7x ↖		
9: 10.7x ↓	9: 10.4x ↖	9: 10.4x ↖		
10: 10.5x ↘	10: 10.7x ↖	10: 10.7x ↖		
Series 102.6	Series 104.4			
102.6	207.0			
Series 3 	1: 10.1 ↖	Series 4 	1: 10.4x ↑	
	2: 10.3x ↙		2: 10.4x ↙	
	3: 10.1 →		3: 10.6x ↑	
4: 9.6 →	4: 10.4x →	4: 10.4x →		
5: 9.8 ↑	5: 10.8x ↙	5: 10.8x ↙		
6: 10.3x ↙	6: 10.5x ↖	6: 10.5x ↖		
7: 10.4x ↗	7: 10.4x ↖	7: 10.4x ↖		
8: 10.0 ↖	8: 10.3x ↖	8: 10.3x ↖		
9: 9.8 ↗	9: 10.5x →	9: 10.5x →		
10: 10.4x ↙	10: 10.1 →	10: 10.1 →		
Series 100.8	Series 104.4			
307.8	412.2			
Series 5 	1: 10.7x ↗	Series 6 	1: 10.7x ↙	
	2: 10.5x ↘		2: 9.9 ↖	
	3: 10.4x ↓		3: 10.4x ↑	
4: 10.4x ↙	4: 10.8x ↙	4: 10.8x ↙		
5: 10.1 →	5: 10.8x ↖	5: 10.8x ↖		
6: 10.4x ↘	6: 10.4x ↓	6: 10.4x ↓		
7: 10.4x ↙	7: 10.1 ↓	7: 10.1 ↓		
8: 10.4x ↙	8: 10.7x ↙	8: 10.7x ↙		
9: 10.5x →	9: 10.4x →	9: 10.4x →		
10: 10.4x ↗	10: 10.7x ↓	10: 10.7x ↓		
Series 104.2	Series 104.9			
516.4	621.3			



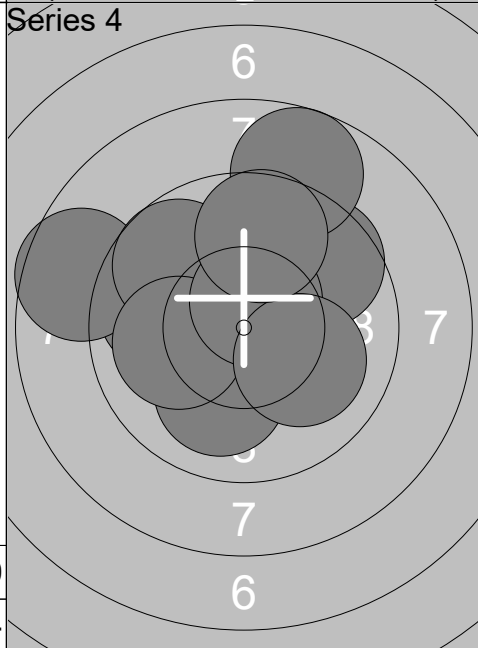
1:	10.4x ←
2:	10.5x →
3:	10.3x ↙
4:	10.7x ↓
5:	10.0 →
6:	9.6 ↑
7:	10.6x ↓
8:	8.9 →
9:	9.7 ←
10:	9.9 ↖
Series	100.6
	100.6



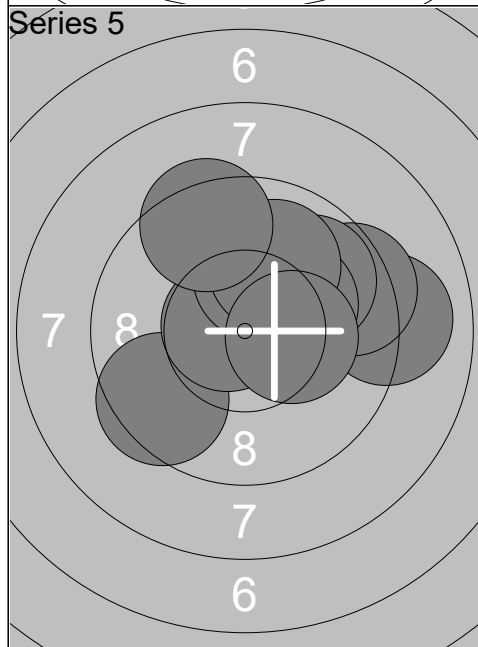
1:	9.7 ↗
2:	10.5x ↘
3:	10.2x ↖
4:	10.6x ↗
5:	9.3 →
6:	9.8 ↑
7:	10.7x ←
8:	10.4x ↑
9:	9.6 ↑
10:	10.0 ↗
Series	100.8
	201.4



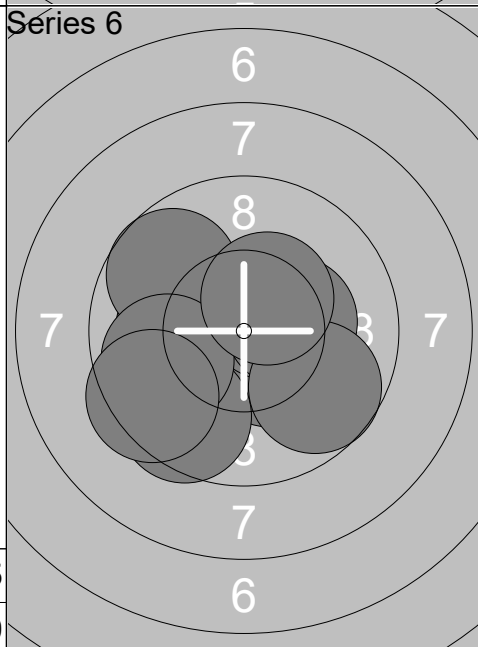
1:	10.3x ↘
2:	9.9 ↙
3:	9.6 ↑
4:	9.4 ↖
5:	9.8 ←
6:	10.1 ↓
7:	8.9 ←
8:	8.6 ←
9:	8.3 →
10:	10.1 ↓
Series	95.0
	296.4



1:	10.1 ↓
2:	9.8 ←
3:	8.7 ←
4:	9.7 ↖
5:	9.6 ↗
6:	10.1 ←
7:	10.6x ↗
8:	8.7 ↑
9:	10.1 ↘
10:	9.7 ↑
Series	97.1
	393.5



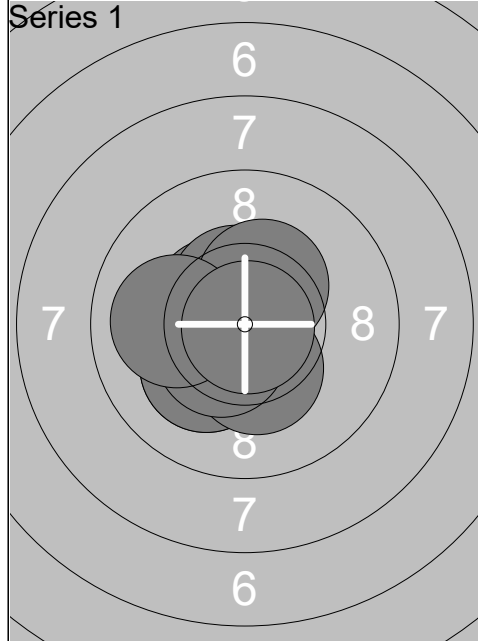
1:	9.0 →
2:	9.4 →
3:	9.5 ↙
4:	10.7x ←
5:	9.8 ↗
6:	10.2x ↗
7:	10.2x ↑
8:	10.0 ↗
9:	9.4 ↑
10:	10.3x →
Series	98.5
	492.0



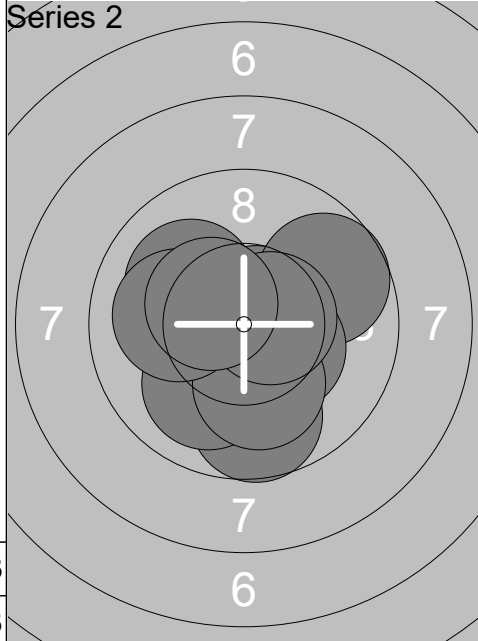
1:	10.1 ←
2:	10.4x ↘
3:	9.7 ↖
4:	10.5x ↗
5:	9.5 ↙
6:	10.3x →
7:	9.9 ←
8:	9.8 ↘
9:	10.4x ↗
10:	9.4 ↙
Series	100.0
	592.0

Relay	Lane	Helle Bertelsen		
2	4	DEN	W	R
11.02.2026	Denmark Open Air 2026	Denmark Open Air 2026		
Series 1 	1: 10.0 ↑	Series 2 	1: 10.0 →	
	2: 10.0 →		2: 10.2x ↑	
	3: 10.4x ↑		3: 10.5x →	
	4: 10.6x →		4: 10.2x ↖	
	5: 10.7x →		5: 10.2x ↑	
	6: 10.5x ↑		6: 9.9 ↓	
	7: 10.0 ↖		7: 10.6x ↘	
	8: 10.3x ↖		8: 10.9x ↓	
	9: 10.2x ↖		9: 10.5x →	
	10: 10.3x ↖		10: 10.6x ↑	
	Series 103.0		Series 103.6	
	103.0		206.6	
Series 3 	1: 10.7x ↖	Series 4 	1: 10.7x →	
	2: 10.7x ↖		2: 10.7x ↑	
	3: 10.1 ↓		3: 10.0 ↗	
	4: 10.5x ↓		4: 10.1 ↑	
	5: 10.3x ↖		5: 10.2x →	
	6: 10.4x ↓		6: 10.4x ↗	
	7: 10.6x ↘		7: 10.7x ↗	
	8: 10.4x ↘		8: 10.6x ↓	
	9: 10.3x ↗		9: 10.1 ↖	
	10: 10.3x ↑		10: 10.6x ↖	
	Series 104.3		Series 104.1	
	310.9		415.0	
Series 5 	1: 10.4x ↖	Series 6 	1: 9.6 →	
	2: 10.5x ↑		2: 9.6 →	
	3: 10.3x ↖		3: 10.4x ↖	
	4: 9.6 →		4: 10.7x ↓	
	5: 10.6x ↑		5: 10.7x ↑	
	6: 10.6x →		6: 9.8 →	
	7: 10.8x ↑		7: 10.7x ↓	
	8: 10.4x ↗		8: 10.7x →	
	9: 10.1 ↗		9: 10.5x →	
	10: 9.6 →		10: 10.3x ↗	
	Series 102.9		Series 103.0	
	517.9		620.9	

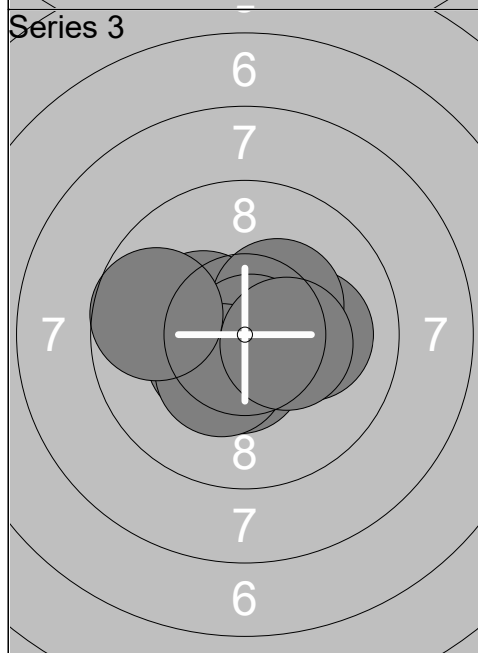
Relay	Lane	Rikke Bertelsen		
2	5	DEN	W	R
11.02.2026	Denmark Open Air 2026	Denmark Open Air 2026		
Series 1 	1: 10.4x →	Series 2 	1: 10.4x ↖	
	2: 10.6x ↗		2: 10.4x ↓	
	3: 10.4x ↓		3: 10.4x ↙	
	4: 10.8x →		4: 10.7x ↘	
	5: 10.1 ↙		5: 10.6x ↗	
	6: 10.2x ↙		6: 10.5x ↙	
	7: 10.1 →		7: 10.3x ↓	
	8: 10.1 ↓		8: 9.9 ↙	
	9: 10.5x ↓		9: 10.4x ↖	
	10: 10.4x ↖		10: 10.3x →	
	Series 103.6		Series 103.9	
	103.6		207.5	
Series 3 	1: 10.3x ↙	Series 4 	1: 10.1 ↗	
	2: 10.6x ↗		2: 10.6x ↙	
	3: 10.0 →		3: 10.5x →	
	4: 10.3x ↖		4: 10.5x ↓	
	5: 10.7x ↗		5: 10.7x ↓	
	6: 10.4x ↖		6: 9.9 ↙	
	7: 10.5x ↙		7: 10.2x ↖	
	8: 10.7x →		8: 10.4x →	
	9: 10.2x ↓		9: 10.5x ↙	
	10: 10.8x ↓		10: 10.7x ↓	
	Series 104.5		Series 104.1	
	312.0		416.1	
Series 5 	1: 10.1 ↓	Series 6 	1: 10.8x ↙	
	2: 10.7x ↙		2: 10.1 ↗	
	3: 10.4x →		3: 9.8 →	
	4: 9.7 ↙		4: 9.7 ↗	
	5: 10.4x ↙		5: 10.4x →	
	6: 10.2x ↙		6: 10.3x →	
	7: 10.5x ↙		7: 10.6x ↗	
	8: 10.7x ↙		8: 10.7x ↑	
	9: 10.1 ↗		9: 10.5x ↗	
	10: 10.5x →		10: 9.8 ↑	
	Series 103.3		Series 102.7	
	519.4		622.1	



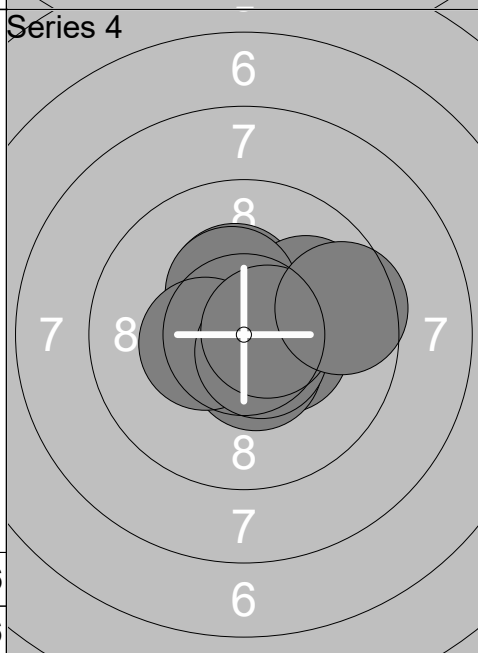
1:	10.5x ↘
2:	10.5x ↑
3:	10.4x ↗
4:	10.8x ↓
5:	10.2x ↙
6:	10.2x ↙
7:	10.3x ↓
8:	10.5x ↙
9:	10.0 ←
10:	10.9x ↘
Series	104.3
	104.3



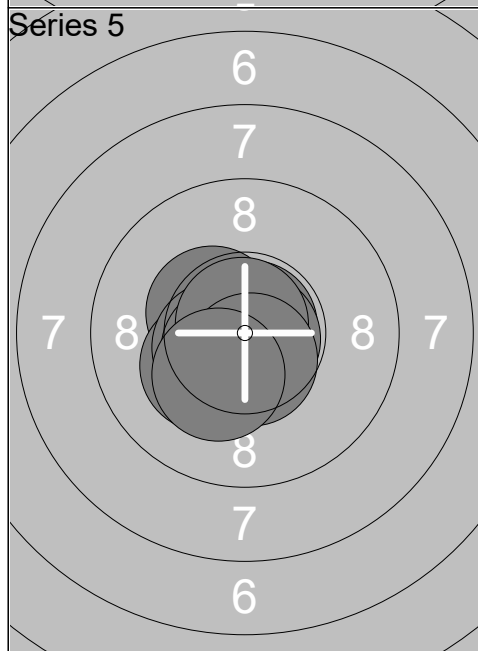
1:	9.7 ↓
2:	10.1 ↖
3:	10.0 ↓
4:	10.7x ↗
5:	9.7 ↗
6:	10.4x ↘
7:	10.1 ↓
8:	10.0 ←
9:	10.6x →
10:	10.4x ↖
Series	101.7
	206.0



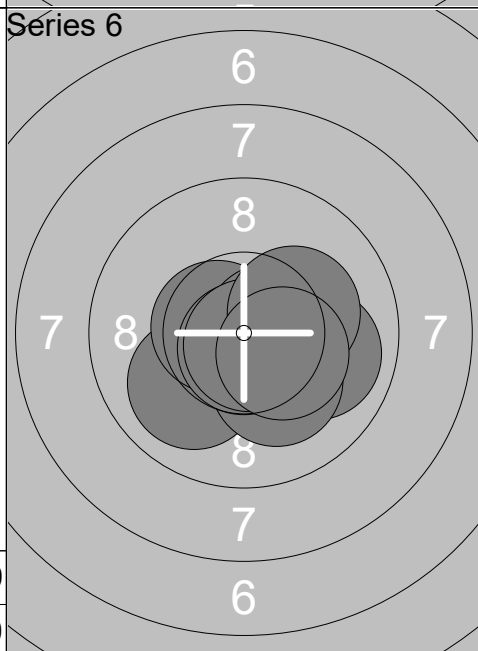
1:	10.1 →
2:	10.5x ↓
3:	10.6x →
4:	10.4x ↖
5:	10.3x ↗
6:	10.4x ↙
7:	10.8x ↘
8:	10.4x ↓
9:	10.4x →
10:	9.7 ←
Series	103.6
	309.6



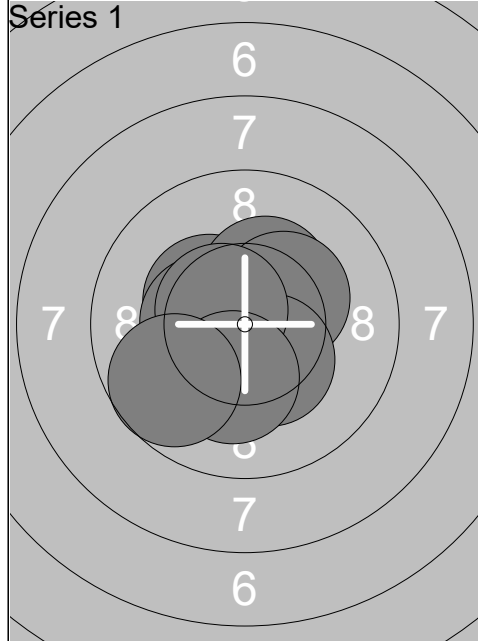
1:	10.3x ↑
2:	10.0 ↗
3:	10.4x →
4:	10.5x ↓
5:	10.7x →
6:	10.4x ↑
7:	10.4x ←
8:	10.6x ↘
9:	10.6x →
10:	9.6 →
Series	103.5
	413.1



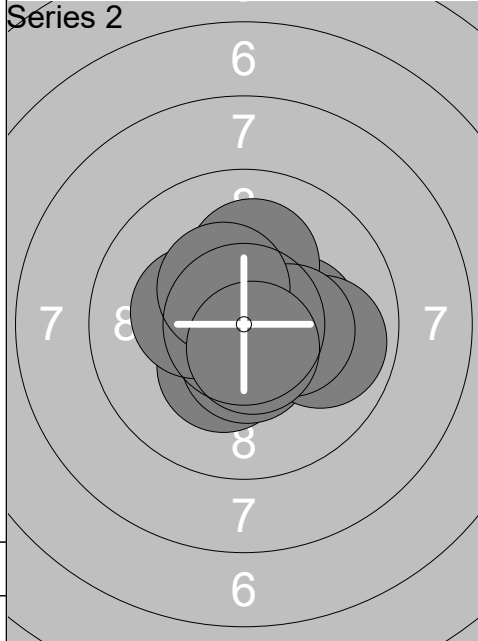
1:	10.8x ↓
2:	10.8x ↗
3:	10.4x ↖
4:	10.3x ↙
5:	10.5x ↙
6:	10.8x ↘
7:	10.6x ↙
8:	10.8x ↑
9:	10.6x ↓
10:	10.3x ↙
Series	105.9
	519.0



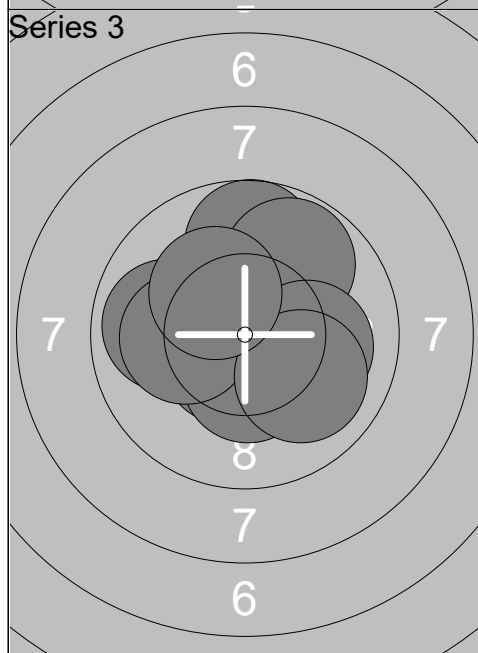
1:	10.0 ↙
2:	9.9 →
3:	10.6x →
4:	10.2x ↓
5:	10.6x ←
6:	10.8x ↓
7:	10.6x →
8:	10.8x ↓
9:	10.2x →
10:	10.4x ↘
Series	104.1
	623.1



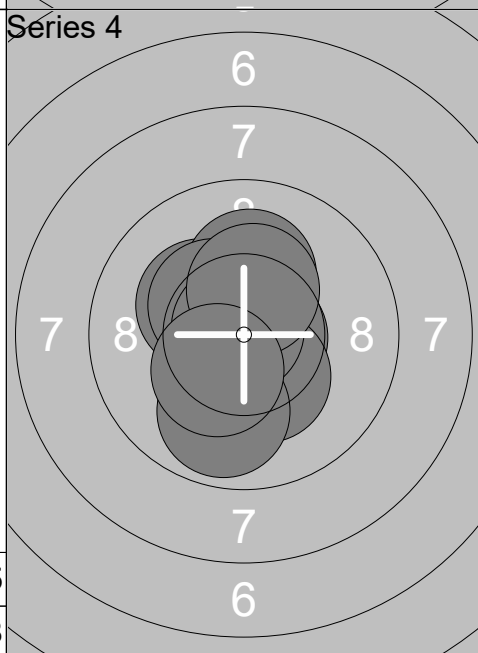
1:	10.4x ↖
2:	10.7x ↗
3:	10.3x ↗
4:	10.4x ←
5:	10.1 ↙
6:	10.3x ↗
7:	10.4x ↘
8:	10.6x ↖
9:	10.2x ↘
10:	9.7 ↙
Series	103.1
	103.1



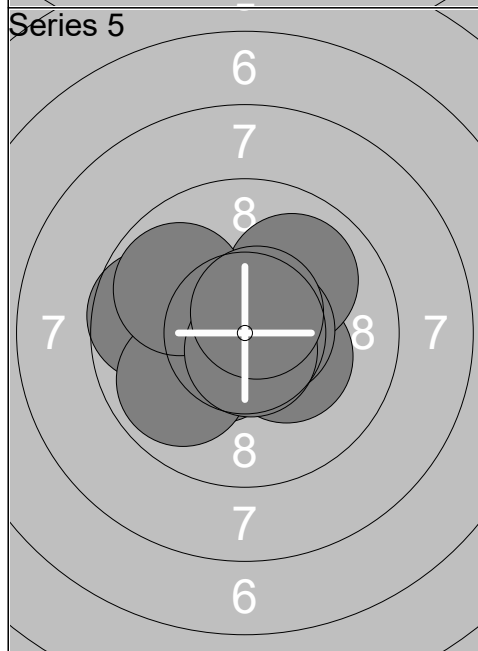
1:	10.4x →
2:	10.3x ↘
3:	10.3x →
4:	10.5x ↘
5:	10.3x ←
6:	9.9 →
7:	10.1 ↑
8:	10.4x →
9:	10.4x ↖
10:	10.6x ↘
Series	103.2
	206.3



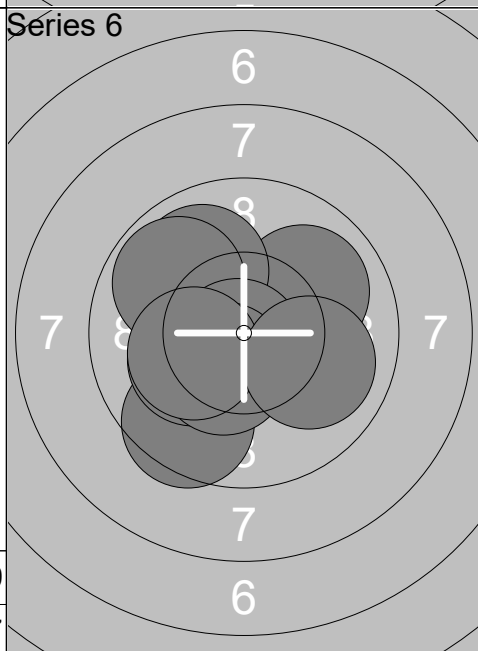
1:	10.5x ↘
2:	9.9 ←
3:	10.5x ↘
4:	10.4x ↘
5:	10.2x ←
6:	9.8 ↑
7:	9.8 ↗
8:	10.1 →
9:	10.0 ↘
10:	10.3x ↖
Series	101.5
	307.8



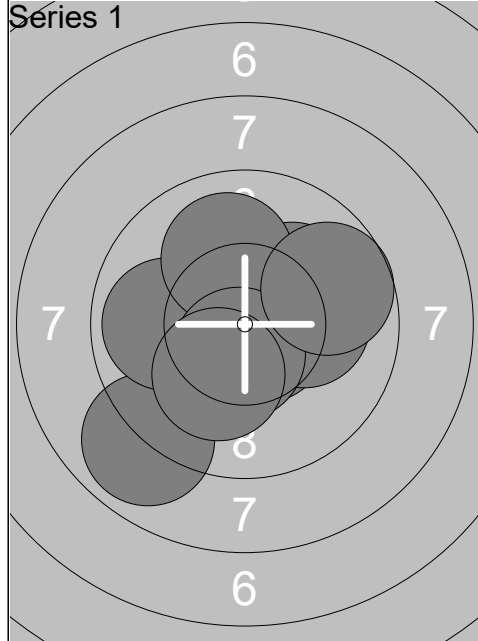
1:	10.3x ↖
2:	10.7x ↖
3:	10.7x →
4:	10.1 ↑
5:	10.3x ↘
6:	9.9 ↘
7:	10.4x ↖
8:	10.9x ↖
9:	10.3x ↑
10:	10.4x ↘
Series	104.0
	411.8



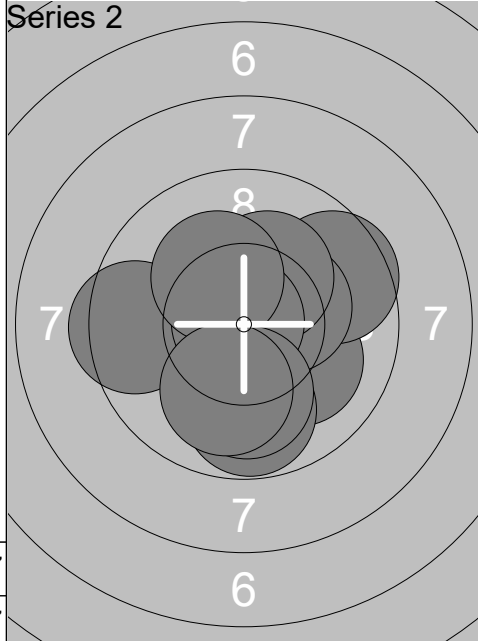
1:	10.3x ↘
2:	10.0 ↗
3:	10.7x ↘
4:	10.5x ↘
5:	10.6x →
6:	9.7 ←
7:	9.9 ↘
8:	9.9 ↖
9:	10.7x ↘
10:	10.6x ↗
Series	102.9
	514.7



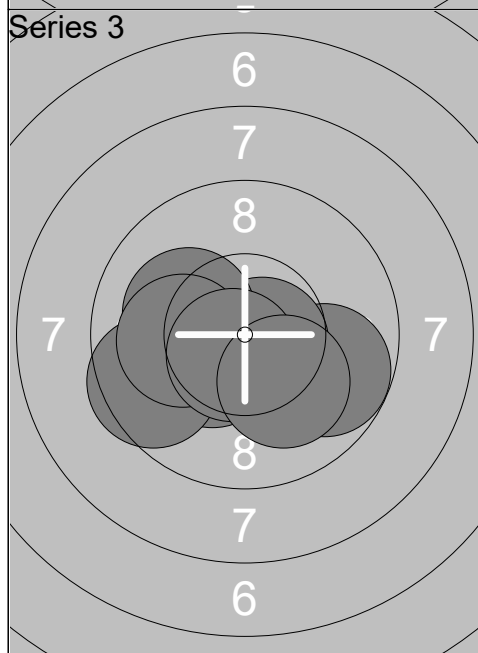
1:	10.7x ↗
2:	10.0 ↗
3:	10.0 ↖
4:	9.5 ↘
5:	10.2x ←
6:	9.8 ↖
7:	10.8x ↘
8:	10.4x ↘
9:	10.2x ←
10:	10.0 →
Series	101.6
	616.3



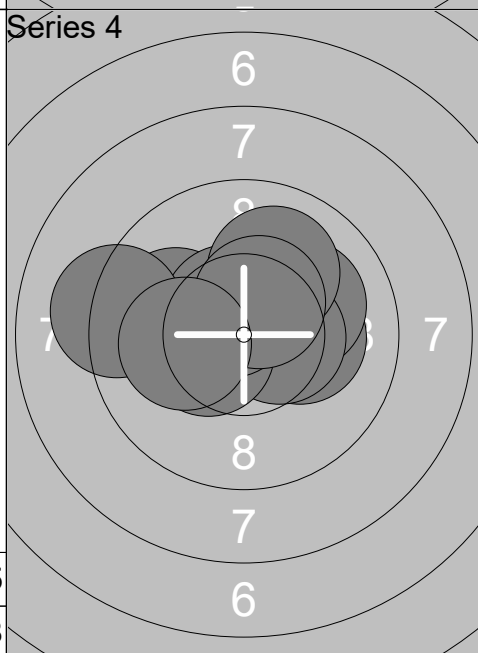
1:	10.5x ↗
2:	10.7x ➤
3:	10.2x ↗
4:	8.9 ↙
5:	10.1 ➔
6:	9.9 ←
7:	10.0 ↑
8:	10.5x ↓
9:	10.2x ↓
10:	9.7 ➔
Series	100.7
	100.7



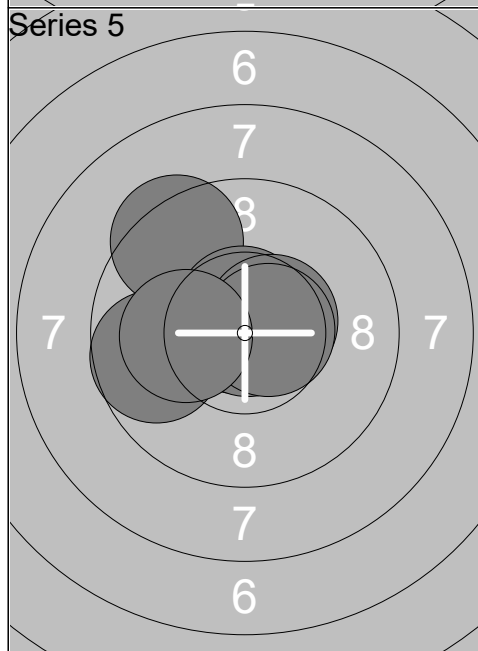
1:	10.1 ➤
2:	9.6 ➔
3:	9.5 ←
4:	10.3x ➔
5:	10.2x ↗
6:	9.8 ↓
7:	10.9x ↙
8:	10.2x ↘
9:	10.0 ↓
10:	10.0 ↓
Series	100.6
	201.3



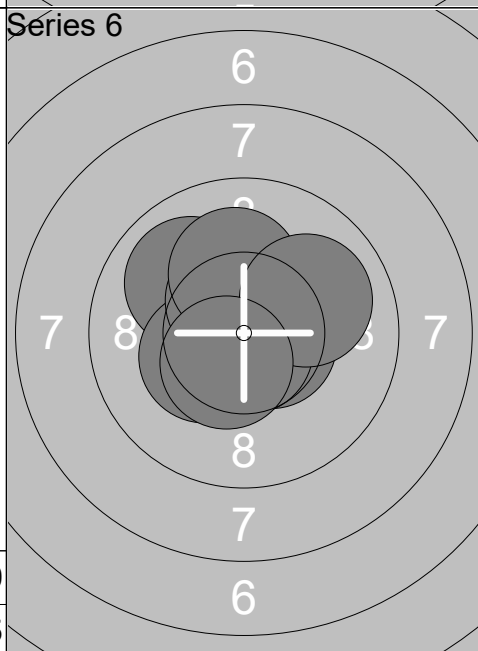
1:	9.8 ➤
2:	10.6x ↓
3:	10.4x ↙
4:	10.5x ←
5:	10.7x ➤
6:	10.1 ←
7:	9.6 ←
8:	10.1 ←
9:	10.6x ↓
10:	10.1 ↓
Series	102.5
	303.8



1:	10.2x ➔
2:	10.1 ➔
3:	10.0 ←
4:	10.5x ➔
5:	10.4x ←
6:	10.6x ↘
7:	10.0 ↗
8:	10.5x ↗
9:	9.2 ←
10:	10.2x ←
Series	101.7
	405.5



1:	10.8x ↗
2:	10.8x ↙
3:	10.9x ↗
4:	10.4x ↙
5:	9.4 ↘
6:	10.7x ↗
7:	10.6x ➔
8:	10.6x ➔
9:	9.7 ←
10:	10.1 ←
Series	104.0
	509.5

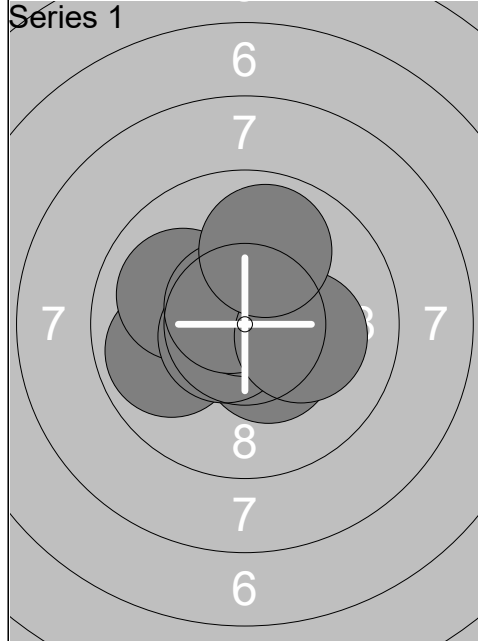


1:	10.0 ↙
2:	10.3x ↙
3:	10.9x
4:	10.8x ↗
5:	10.6x ➔
6:	10.5x ↗
7:	10.7x ↓
8:	10.1 ↑
9:	10.0 ➔
10:	10.5x ↓
Series	104.4
	613.9

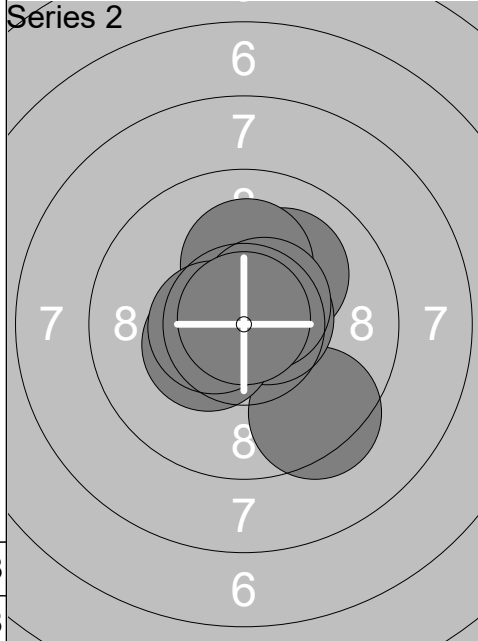
Relay 2	Lane 9	Maria Graversen		
-------------------	------------------	------------------------	--	--

Qual Day 2	DEN	W	R
------------	-----	---	---

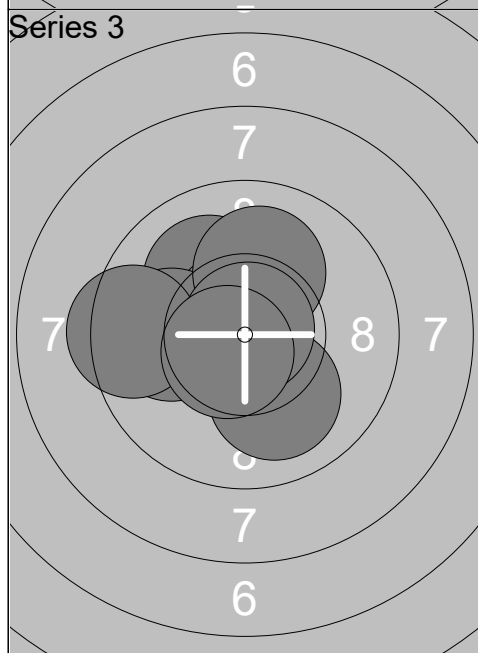
11.02.2026	Denmark Open Air 2026	Denmark Open Air 2026
------------	-----------------------	-----------------------



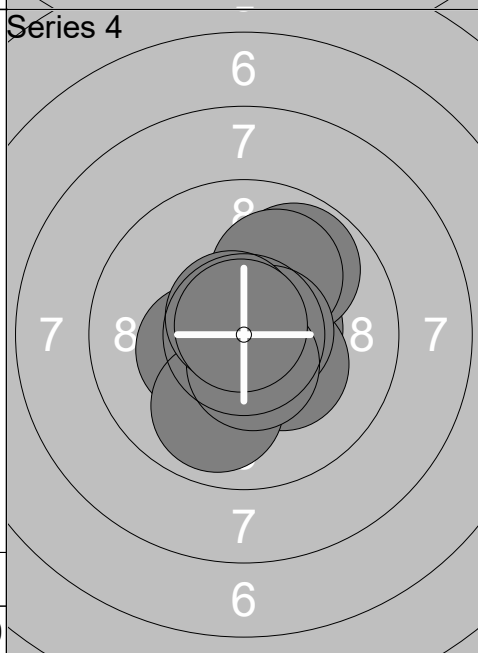
1:	10.7x ↗
2:	10.4x ↘
3:	9.9 ←
4:	10.0 ↖
5:	10.6x ↙
6:	10.8x ↑
7:	10.6x ↗
8:	10.7x ↘
9:	10.2x →
10:	9.9 ↑
Series	103.8
	103.8



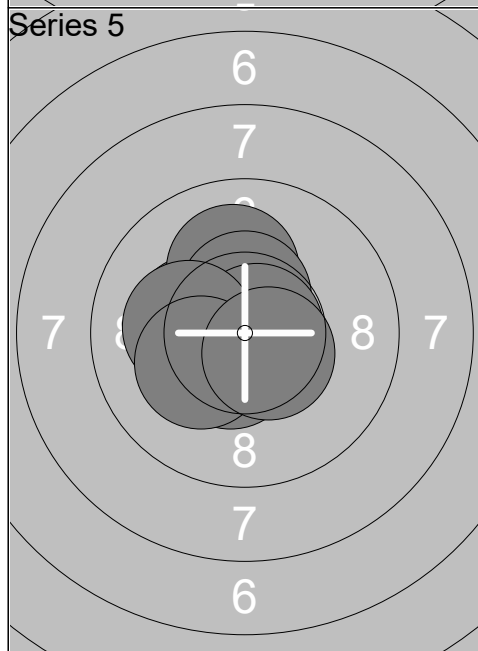
1:	10.9x ←
2:	10.1 ↗
3:	9.4 ↘
4:	10.6x →
5:	10.5x ↑
6:	10.2x ↑
7:	10.4x ↙
8:	10.5x ←
9:	10.6x ↗
10:	10.9x ↑
Series	104.1
	207.9



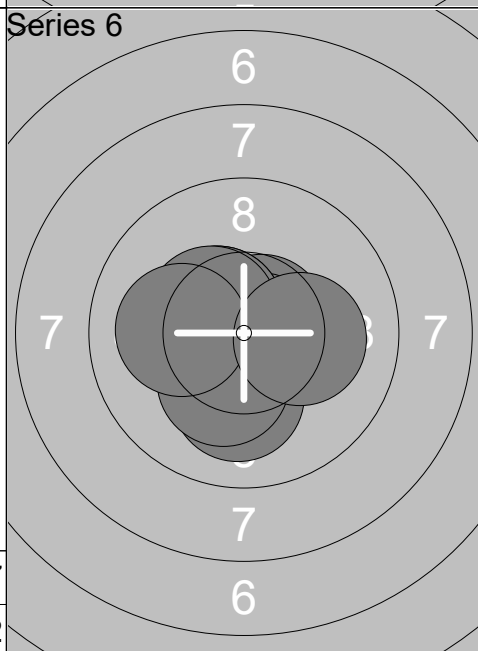
1:	10.1 ↘
2:	10.6x ←
3:	10.7x ↘
4:	10.8x ↘
5:	10.0 ↘
6:	10.0 ←
7:	9.4 ←
8:	10.1 ↑
9:	10.8x ↗
10:	10.6x ↙
Series	103.1
	311.0



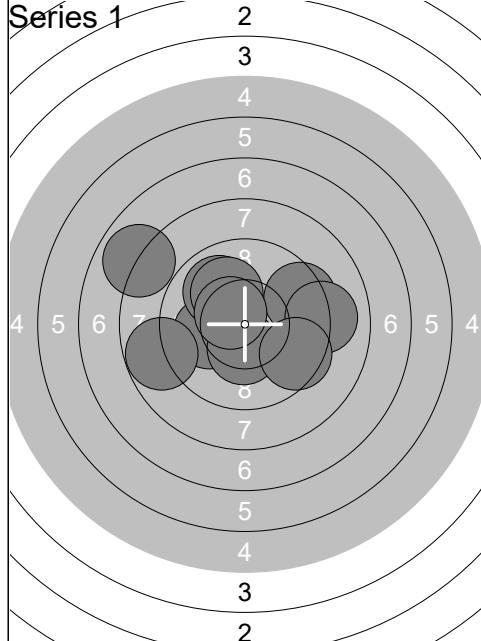
1:	10.4x ←
2:	10.5x →
3:	10.3x ↘
4:	9.9 ↓
5:	9.8 ↗
6:	10.0 ↗
7:	10.6x →
8:	10.5x ↓
9:	10.7x ↘
10:	10.8x ↗
Series	103.5
	414.5



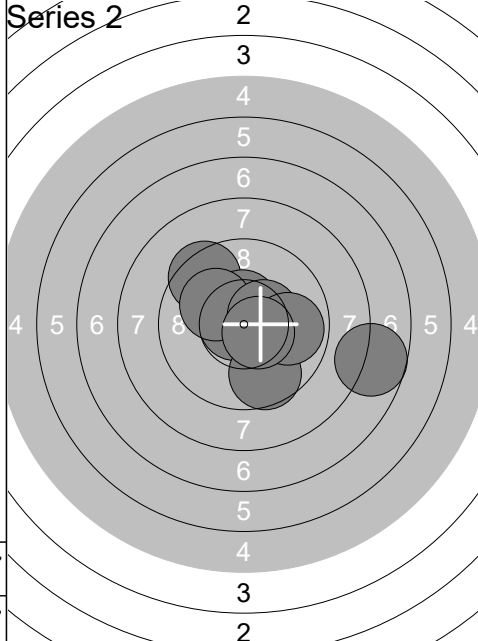
1:	10.9x ↗
2:	10.7x ↓
3:	10.5x ↘
4:	10.3x ←
5:	10.1 ↑
6:	10.5x ↑
7:	10.8x →
8:	10.2x ←
9:	10.2x ↙
10:	10.5x ↘
Series	104.7
	519.2



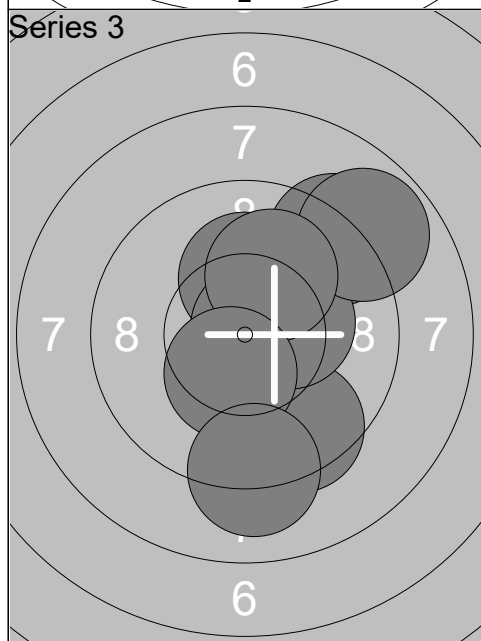
1:	10.7x ↗
2:	10.7x →
3:	10.1 ↓
4:	10.5x ↘
5:	10.6x ↘
6:	10.5x ↘
7:	10.4x ↖
8:	10.3x ↓
9:	10.1 ←
10:	10.2x →
Series	104.1
	623.3



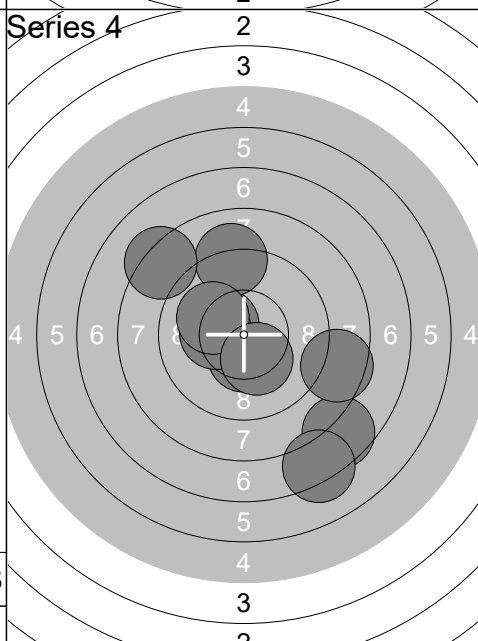
1:	9.5	➔
2:	10.1	←
3:	7.9	↖
4:	9.9	↗
5:	10.3x	↓
6:	10.1	↗
7:	10.5x	↖
8:	9.1	➔
9:	9.5	➔
10:	8.8	←
Series	95.7	
	95.7	



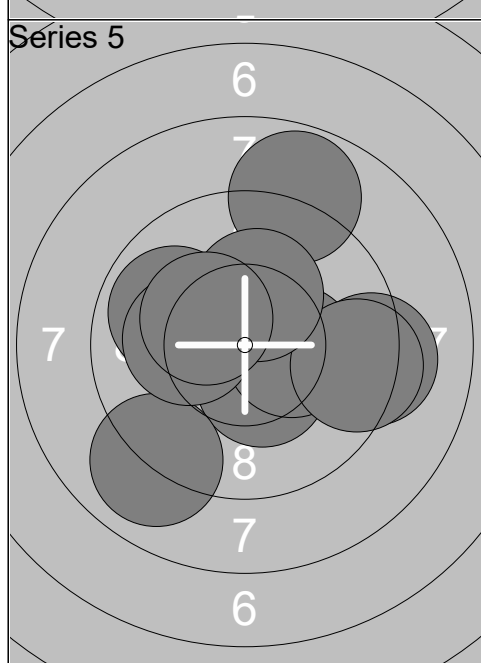
1:	10.6x	➔
2:	9.5	↗
3:	7.7	➔
4:	10.7x	←
5:	10.5x	↑
6:	10.1	↖
7:	9.6	↓
8:	10.4x	➔
9:	9.9	➔
10:	10.6x	➔
Series	99.6	
	195.3	



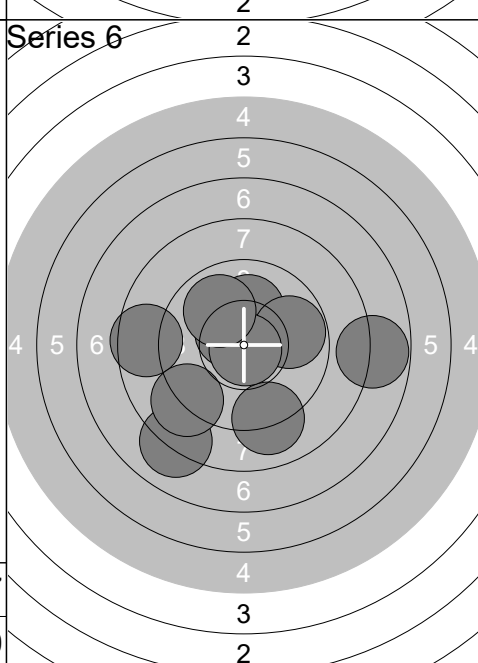
1:	10.2x	↑
2:	10.3x	↗
3:	9.2	↗
4:	9.5	↓
5:	10.8x	➔
6:	10.3x	➔
7:	8.9	↗
8:	10.1	↗
9:	10.4x	↓
10:	9.1	↓
Series	98.8	
	294.1	



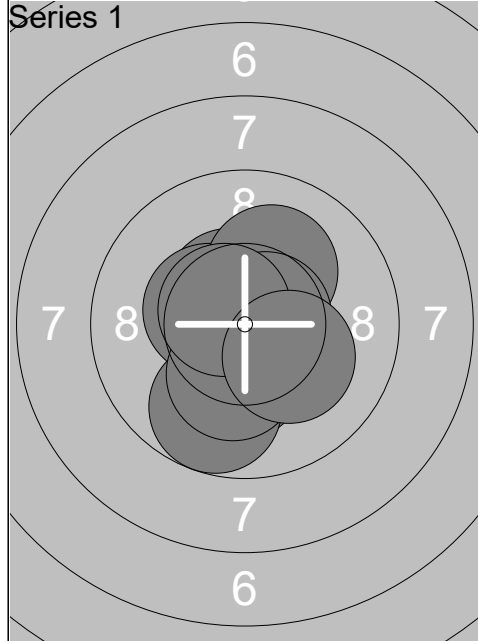
1:	10.4x	↓
2:	10.4x	↖
3:	7.6	↓
4:	9.1	↑
5:	8.2	↗
6:	10.3x	←
7:	7.2	↓
8:	8.6	➔
9:	10.1	↖
10:	10.3x	↓
Series	92.2	
	386.3	



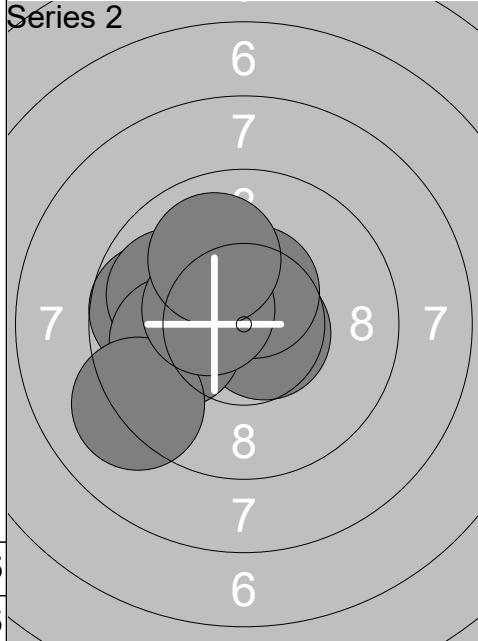
1:	9.9	←
2:	10.4x	↓
3:	9.0	↓
4:	9.2	➔
5:	10.3x	➔
6:	9.4	➔
7:	8.8	↑
8:	10.2x	↑
9:	10.2x	←
10:	10.3x	↖
Series	97.7	
	484.0	



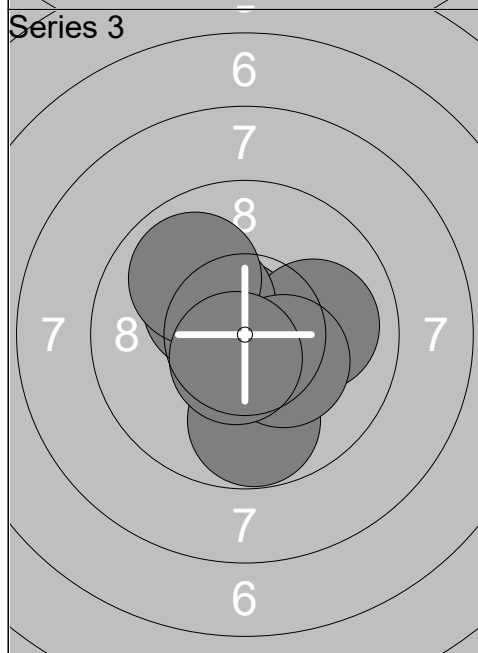
1:	9.1	↓
2:	10.5x	↖
3:	8.6	←
4:	7.8	➔
5:	10.1	↑
6:	9.8	➔
7:	10.8x	↓
8:	8.1	↓
9:	9.0	↖
10:	9.9	↖
Series	93.7	
	577.7	



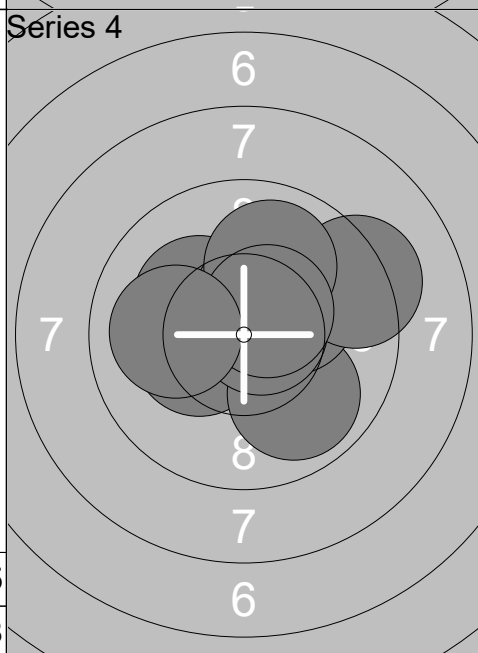
1:	10.7x	↓
2:	10.3x	↓
3:	10.5x	↖
4:	9.8	↓
5:	10.4x	↖
6:	10.1	↗
7:	10.3x	↓
8:	10.6x	→
9:	10.6x	↖
10:	10.2x	↘
Series		103.5
		103.5



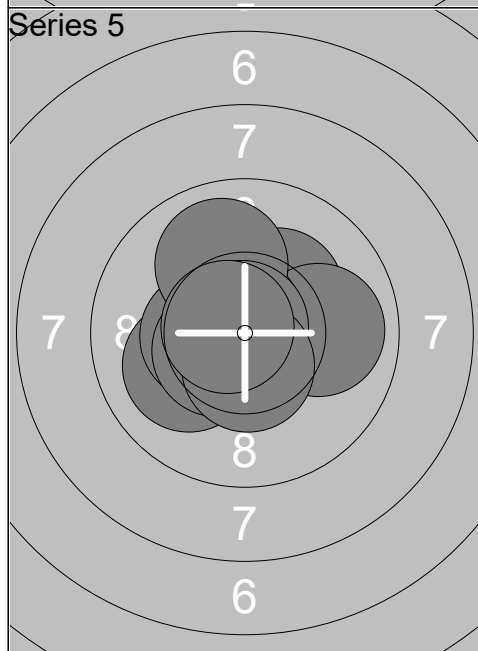
1:	10.6x	→
2:	10.5x	↖
3:	10.1	↖
4:	9.7	←
5:	10.5x	↗
6:	9.9	←
7:	10.0	←
8:	9.1	↙
9:	10.4x	↖
10:	10.0	↖
Series		100.8
		204.3



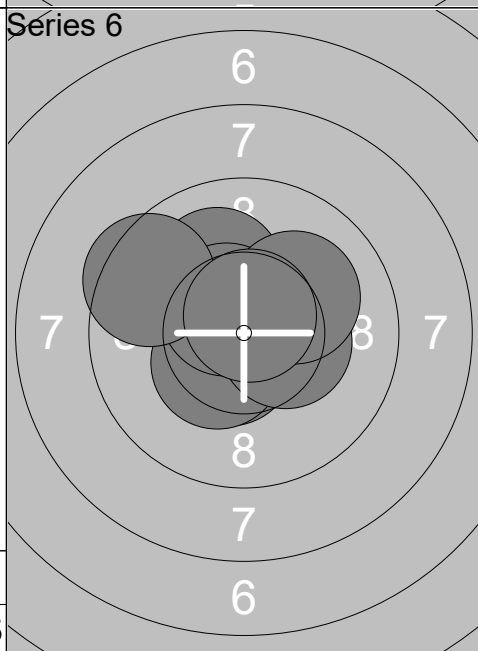
1:	10.7x	↖
2:	10.8x	↓
3:	10.4x	→
4:	9.8	↓
5:	10.7x	↖
6:	10.0	→
7:	10.3x	↖
8:	10.3x	↘
9:	9.9	↖
10:	10.6x	↓
Series		103.5
		307.8



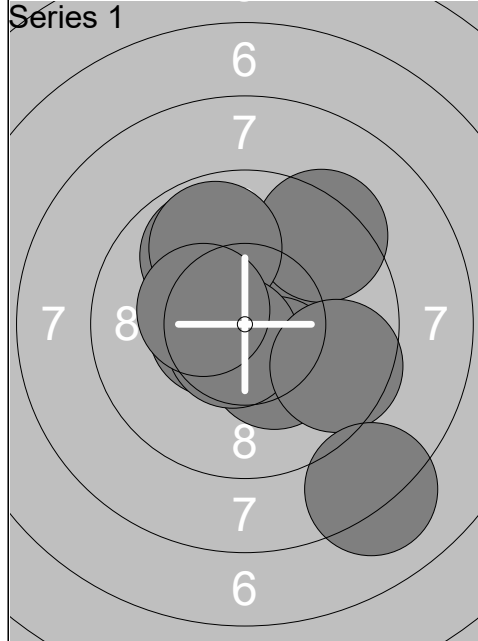
1:	10.3x	←
2:	9.9	↘
3:	10.2x	↗
4:	10.2x	↖
5:	10.7x	→
6:	9.3	↗
7:	10.5x	↗
8:	10.0	↗
9:	10.5x	↗
10:	10.0	←
Series		101.6
		409.4



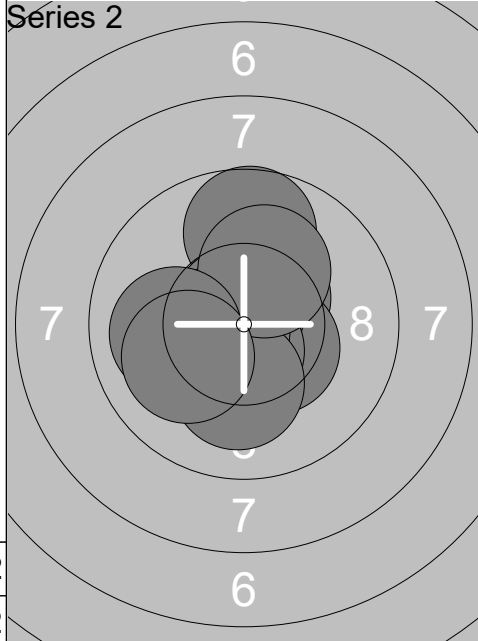
1:	10.3x	↗
2:	10.1	←
3:	10.4x	←
4:	10.0	→
5:	10.7x	↖
6:	10.0	↗
7:	10.5x	↖
8:	10.9x	↖
9:	10.5x	↓
10:	10.7x	←
Series		104.1
		513.5



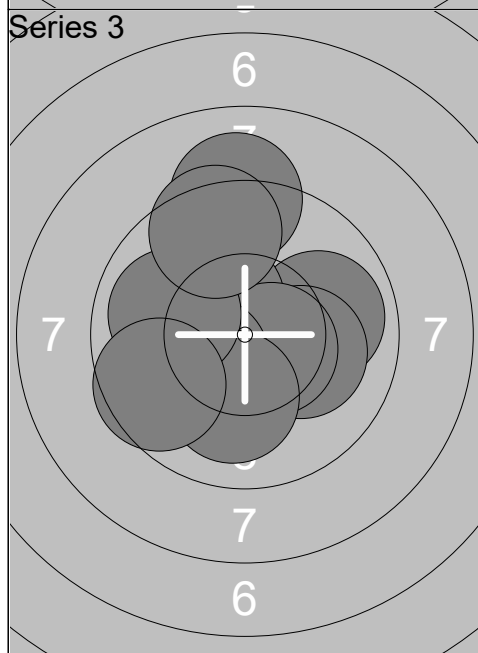
1:	10.1	↖
2:	10.5x	↘
3:	10.6x	↘
4:	10.4x	↘
5:	10.3x	↗
6:	10.6x	↖
7:	9.5	←
8:	10.4x	→
9:	10.1	↗
10:	10.7x	↗
Series		103.2
		616.7



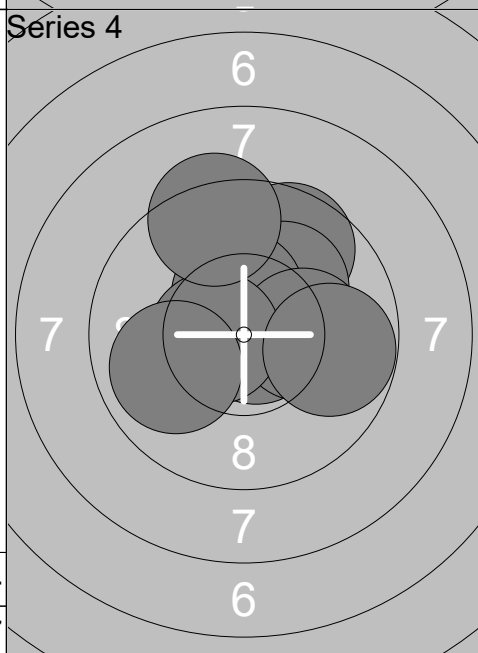
1:	10.5x ↗
2:	9.9 ↖
3:	9.4 ↗
4:	9.8 ↖
5:	10.3x ↘
6:	10.5x ←
7:	10.7x ↘
8:	9.6 →
9:	8.1 ↘
10:	10.4x ←
Series	99.2
	99.2



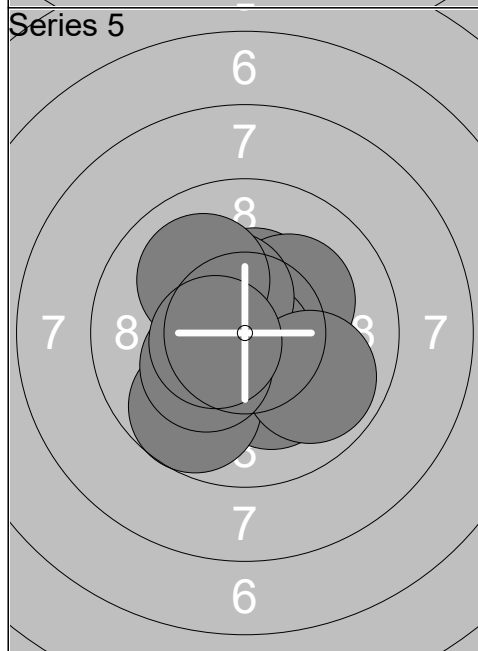
1:	10.5x ↗
2:	10.4x ↘
3:	9.7 ↑
4:	10.8x ↖
5:	10.6x ↘
6:	10.7x ←
7:	10.1 ↓
8:	10.2x ↗
9:	10.0 ←
10:	10.1 ←
Series	103.1
	202.3



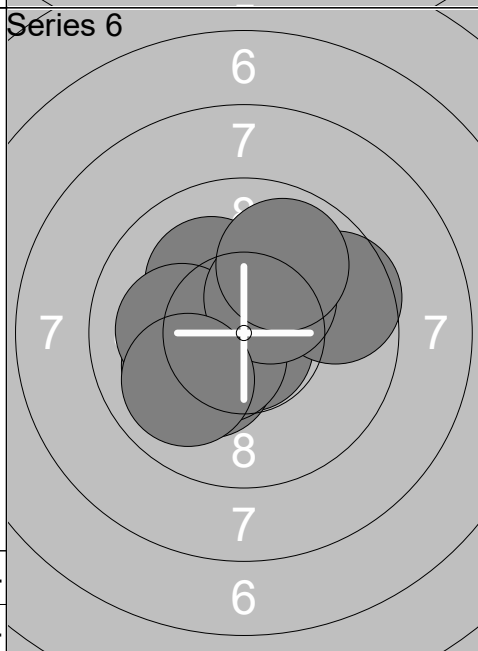
1:	9.9 →
2:	10.1 →
3:	10.4x ↗
4:	10.5x ↘
5:	9.1 ↑
6:	10.3x ←
7:	10.1 ↓
8:	9.9 ←
9:	9.6 ←
10:	9.5 ↑
Series	99.4
	301.7



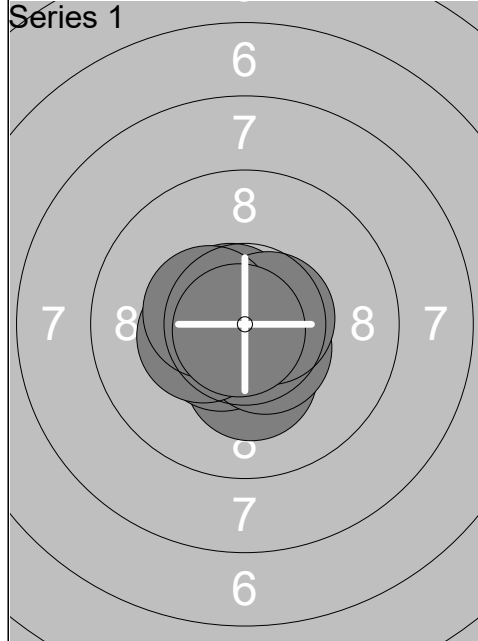
1:	9.6 ↗
2:	10.1 ↗
3:	10.6x →
4:	10.8x →
5:	10.4x ↑
6:	10.2x →
7:	10.5x ←
8:	9.8 →
9:	9.4 ↑
10:	9.9 ←
Series	101.3
	403.0



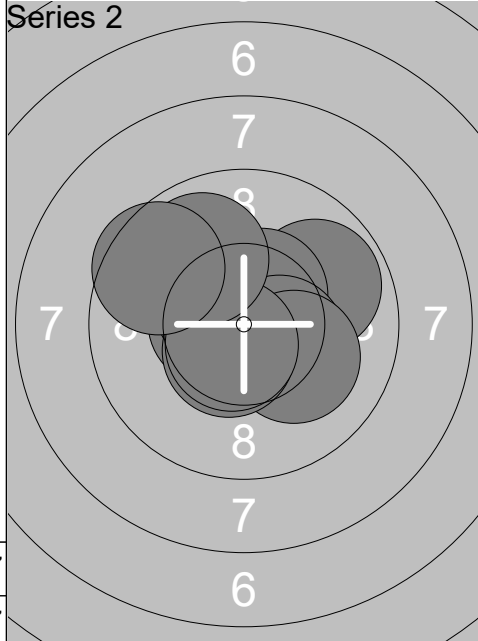
1:	10.2x ↘
2:	10.4x ↑
3:	10.2x ↗
4:	10.8x ↘
5:	10.4x ↖
6:	9.7 ↘
7:	9.9 →
8:	10.3x ←
9:	10.0 ↗
10:	10.5x ←
Series	102.4
	505.4



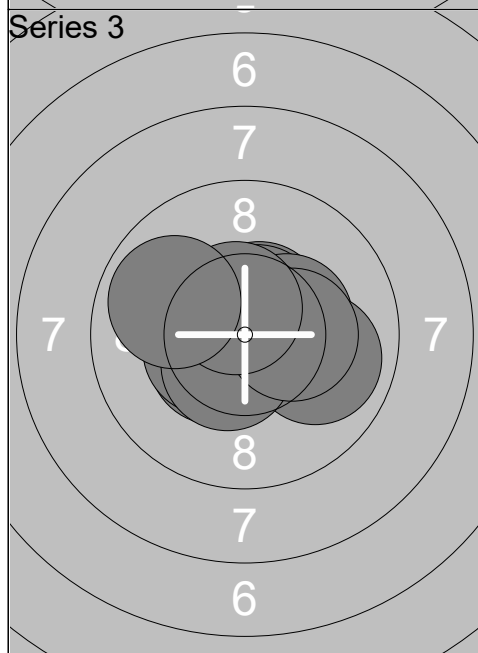
1:	10.1 ↖
2:	10.1 ←
3:	10.8x ↘
4:	10.3x ←
5:	10.5x ←
6:	9.6 →
7:	10.1 ←
8:	10.4x ↗
9:	10.0 ←
10:	9.9 ↗
Series	101.8
	607.2



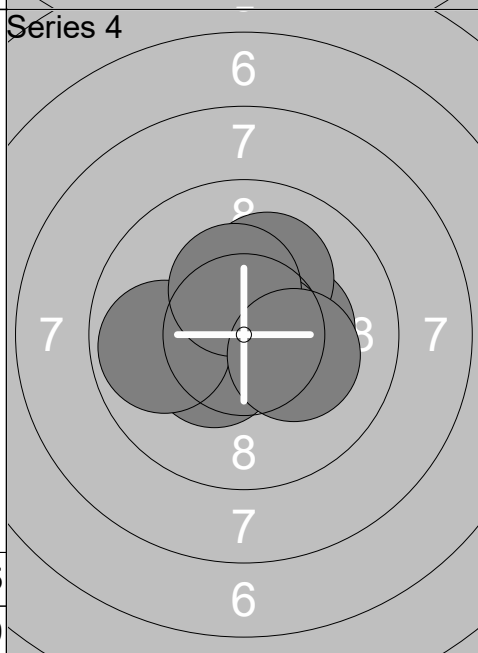
1:	10.7x ←
2:	10.3x ↓
3:	10.7x ↓
4:	10.7x ↖
5:	10.5x ↙
6:	10.5x ↘
7:	10.4x ←
8:	10.6x →
9:	10.4x ←
10:	10.9x ↙
Series	105.7
	105.7



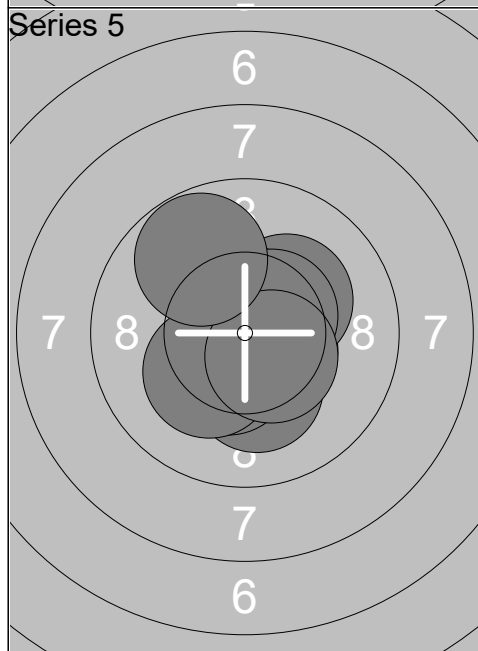
1:	10.6x ←
2:	10.5x ↖
3:	9.9 ↗
4:	10.5x ↗
5:	10.4x ➤
6:	10.2x ➤
7:	10.5x ↓
8:	10.6x ↓
9:	9.9 ↖
10:	9.6 ↖
Series	102.7
	208.4



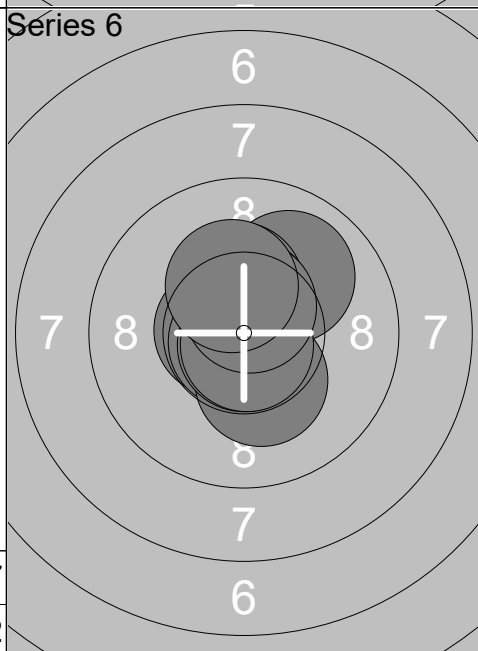
1:	10.4x ↙
2:	10.4x ←
3:	10.5x ↗
4:	10.6x ↗
5:	10.4x →
6:	9.9 ➤
7:	10.5x ↓
8:	10.3x →
9:	10.6x ↗
10:	9.9 ↖
Series	103.5
	311.9



1:	10.5x ↗
2:	10.8x ↖
3:	10.4x →
4:	10.1 ↗
5:	10.7x →
6:	10.3x ←
7:	10.4x ↙
8:	9.9 ←
9:	10.3x ↗
10:	10.2x ➤
Series	103.6
	415.5

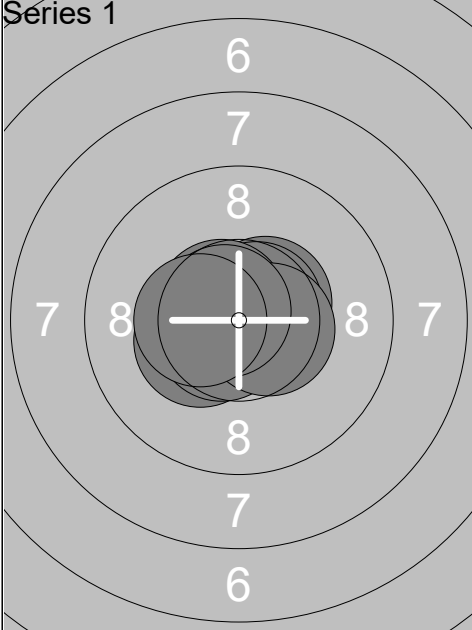
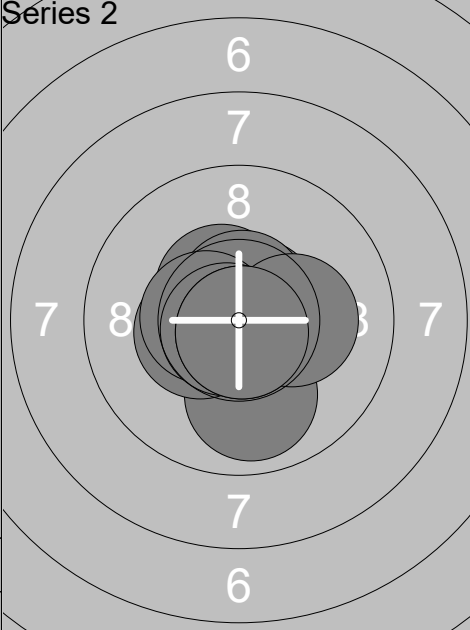
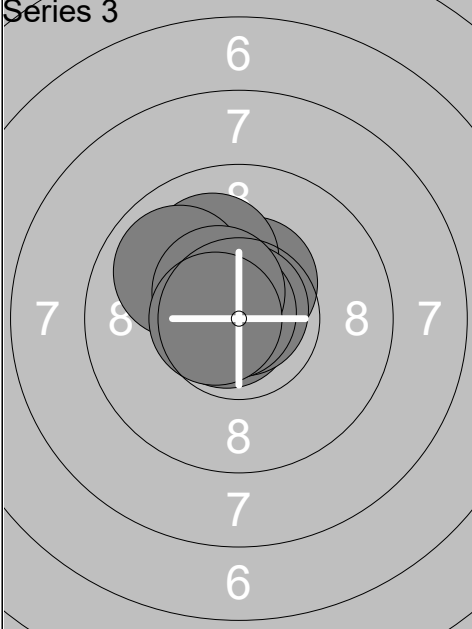
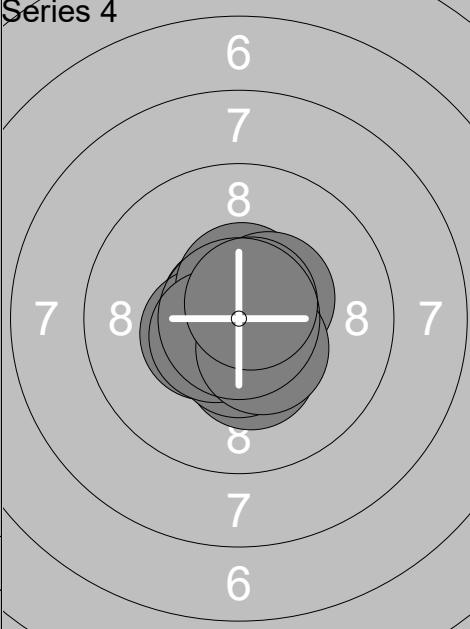
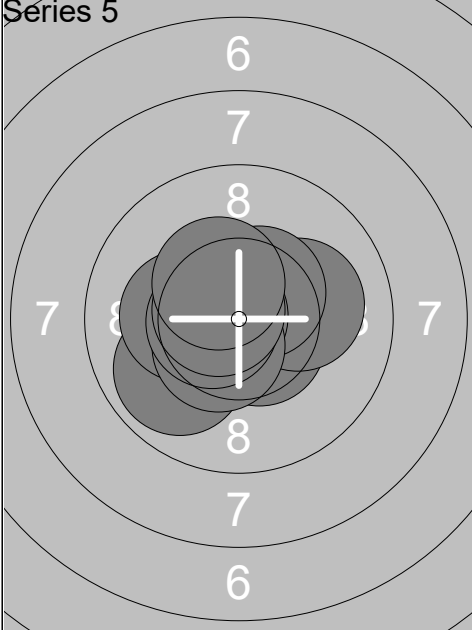
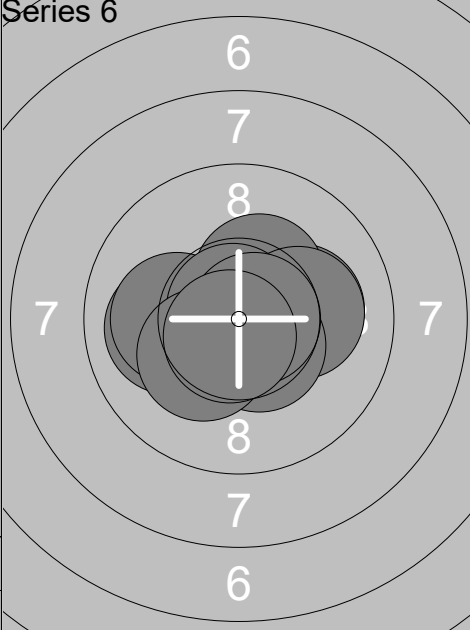


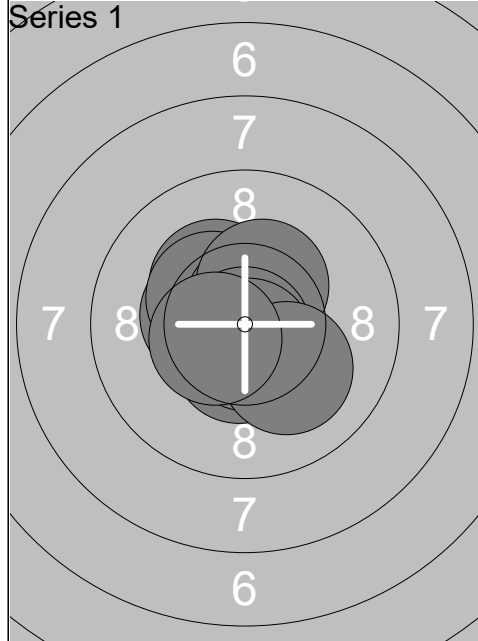
1:	10.2x ↓
2:	10.5x ➤
3:	10.4x ↓
4:	10.6x ↗
5:	10.2x ↗
6:	10.7x ↗
7:	10.5x ↗
8:	10.3x ↙
9:	10.5x ↘
10:	9.8 ↖
Series	103.7
	519.2



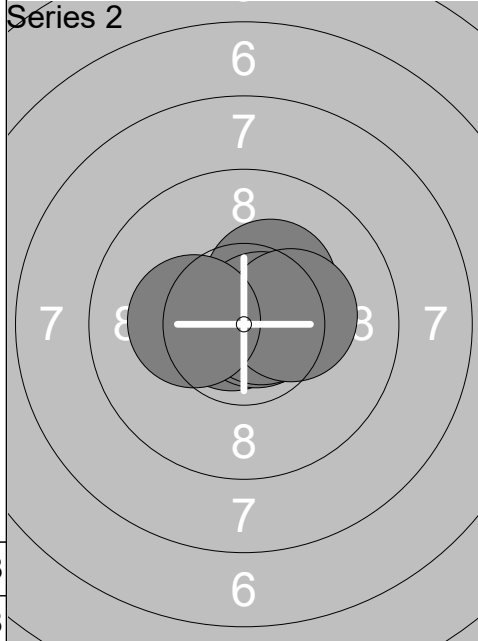
1:	10.0 ↗
2:	10.3x ↗
3:	10.6x ←
4:	10.8x ↙
5:	10.3x ↓
6:	10.8x ↓
7:	10.5x ↗
8:	10.8x ↓
9:	10.6x ↗
10:	10.3x ↗
Series	105.0
	624.2

Relay	Lane	Kamilla Jørgensen		
2	14	DEN	W	R
Qual Day 2		Denmark Open Air 2026		Denmark Open Air 2026
11.02.2026		Denmark Open Air 2026		Denmark Open Air 2026
Series 1 	1: 9.3 →	Series 2 	1: 9.6 ↖	
	2: 10.6x ↘		2: 10.6x →	
	3: 10.7x ↑		3: 10.0 ↑	
	4: 10.2x ↖		4: 10.3x ↖	
	5: 10.4x ↑		5: 10.6x ↗	
	6: 10.2x →		6: 10.6x ←	
	7: 10.8x ↖		7: 10.5x ↓	
	8: 10.8x ↓		8: 10.2x ↑	
	9: 10.8x ↘		9: 10.3x ↗	
	10: 9.7 →		10: 10.3x ↑	
	Series 103.5		Series 103.0	
	103.5		206.5	
Series 3 	1: 10.0 ↓	Series 4 	1: 10.3x ↓	
	2: 10.4x ↖		2: 10.2x ↓	
	3: 9.5 ←		3: 9.9 →	
	4: 10.4x ←		4: 10.2x ↘	
	5: 10.3x ↗		5: 9.8 ↓	
	6: 10.6x ↓		6: 10.0 ↗	
	7: 10.2x ↓		7: 10.7x ↖	
	8: 10.9x		8: 9.6 ←	
	9: 9.8 →		9: 10.2x ↗	
	10: 10.5x ↓		10: 10.5x →	
	Series 102.6		Series 101.4	
	309.1		410.5	
Series 5 	1: 10.8x →	Series 6 	1: 10.7x ←	
	2: 9.9 ←		2: 9.7 ←	
	3: 10.4x ↖		3: 10.8x ↓	
	4: 10.2x ↑		4: 9.9 ←	
	5: 10.3x →		5: 10.1 ←	
	6: 10.3x ↓		6: 10.2x ↑	
	7: 10.4x ↖		7: 10.4x ←	
	8: 10.4x ↓		8: 10.5x ↓	
	9: 10.6x →		9: 10.1 ←	
	10: 10.5x ↑		10: 9.6 ←	
	Series 103.8		Series 102.0	
	514.3		616.3	

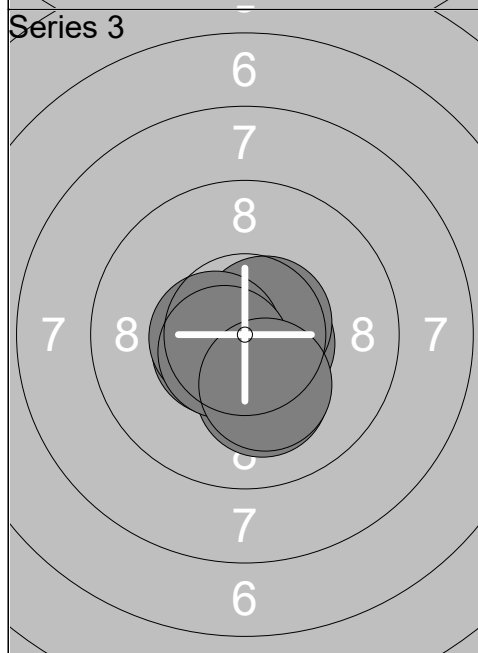
Relay	Lane	Amanda Karlsson		
2	15	SWE	W	R
11.02.2026	Denmark Open Air 2026	Denmark Open Air 2026		
Series 1 	1: 10.5x ↗	Series 2 	1: 10.0 ↓	
	2: 10.6x →		2: 10.4x ←	
	3: 10.9x		3: 10.7x ↗	
	4: 10.4x ←		4: 10.5x ↖	
	5: 10.7x ↗		5: 10.6x ↑	
	6: 10.6x ↖		6: 10.5x ←	
	7: 10.6x ←		7: 10.7x ↖	
	8: 10.5x →		8: 10.8x ↓	
	9: 10.7x ↖		9: 10.2x →	
	10: 10.4x ←		10: 10.8x ↓	
	Series 105.9	Series 105.2		
	105.9		211.1	
Series 3 	1: 10.8x ←	Series 4 	1: 10.7x ↖	
	2: 10.4x ↖		2: 10.5x ←	
	3: 10.5x ↑		3: 10.3x ↓	
	4: 10.1 ↖		4: 10.5x ↓	
	5: 10.6x ↖		5: 10.6x ↑	
	6: 9.9 ↖		6: 10.7x →	
	7: 10.8x ↑		7: 10.6x ↖	
	8: 10.8x ↖		8: 10.5x ↗	
	9: 10.5x ↖		9: 10.4x ↘	
	10: 10.6x ←		10: 10.7x ↗	
	Series 105.0	Series 105.5		
	316.1		421.6	
Series 5 	1: 10.6x ↘	Series 6 	1: 10.2x →	
	2: 9.9 ↙		2: 10.4x ↗	
	3: 10.1 →		3: 10.1 →	
	4: 10.5x ↗		4: 10.0 ←	
	5: 10.2x ←		5: 10.1 ←	
	6: 10.7x ←		6: 10.8x ↖	
	7: 10.5x ↘		7: 10.5x ↘	
	8: 10.6x ←		8: 10.3x ↖	
	9: 10.6x ↖		9: 10.8x →	
	10: 10.4x ↖		10: 10.7x ↘	
	Series 104.1	Series 103.9		
	525.7		629.6	



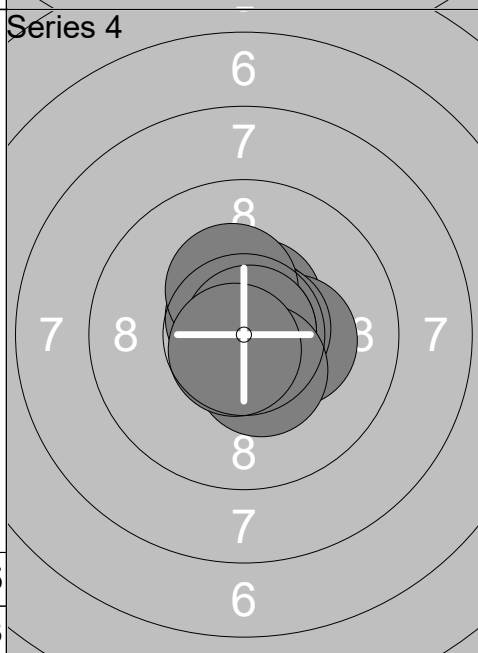
1:	10.3x ↖
2:	10.4x ←
3:	10.4x ↖
4:	10.5x ↓
5:	10.7x ↑
6:	10.4x ↗
7:	10.8x ↓
8:	10.7x ↓
9:	10.1 ↓
10:	10.5x ←
Series	104.8
	104.8



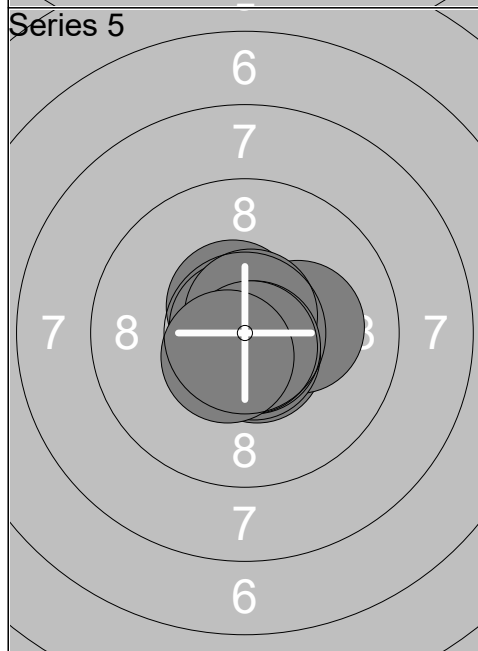
1:	10.6x ↗
2:	10.6x →
3:	10.8x ←
4:	10.8x ←
5:	10.8x ←
6:	10.8x →
7:	10.3x ↗
8:	10.7x →
9:	10.3x →
10:	10.3x ←
Series	106.0
	210.8



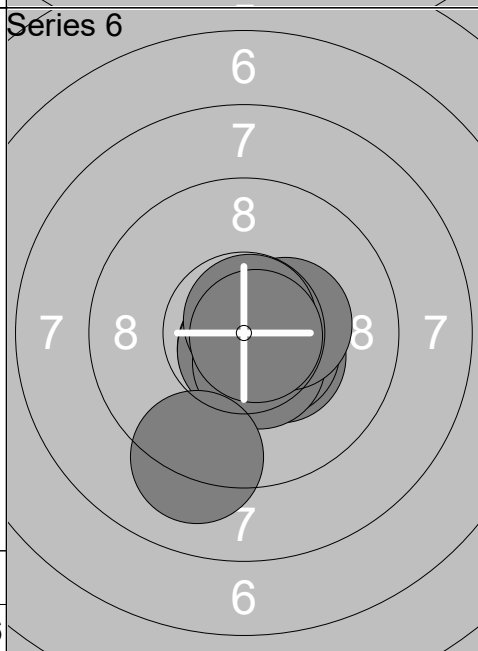
1:	10.7x ↙
2:	10.7x ←
3:	10.9x
4:	10.5x ←
5:	10.6x →
6:	10.6x ↗
7:	10.1 ↓
8:	10.6x ←
9:	10.6x ↙
10:	10.2x ↓
Series	105.5
	316.3



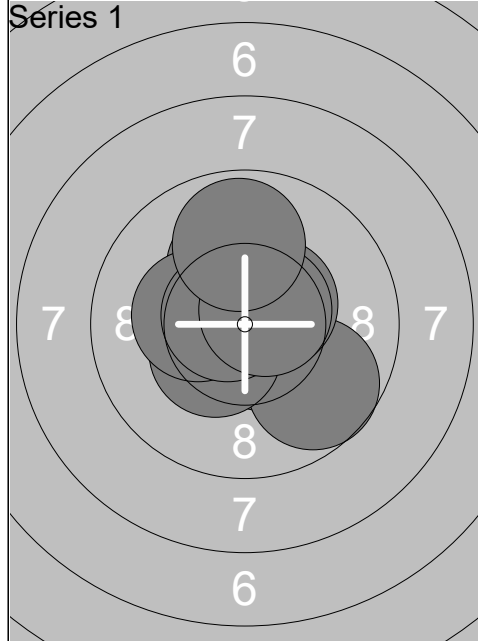
1:	10.5x ↑
2:	10.7x ↗
3:	10.7x ↖
4:	10.3x →
5:	10.7x →
6:	10.9x ↗
7:	10.4x ↑
8:	10.9x ↗
9:	10.4x ↓
10:	10.7x ↙
Series	106.2
	422.5



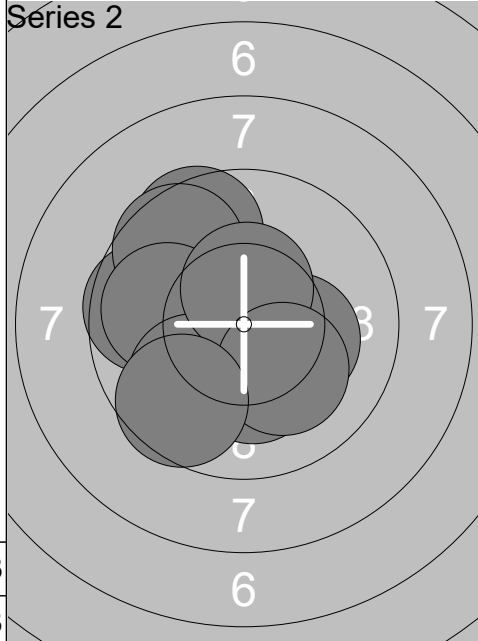
1:	10.5x ↖
2:	10.6x ↓
3:	10.7x ↓
4:	10.2x →
5:	10.6x ↓
6:	10.8x ↖
7:	10.7x ↑
8:	10.7x ↓
9:	10.7x ↓
10:	10.6x ↙
Series	106.1
	528.6



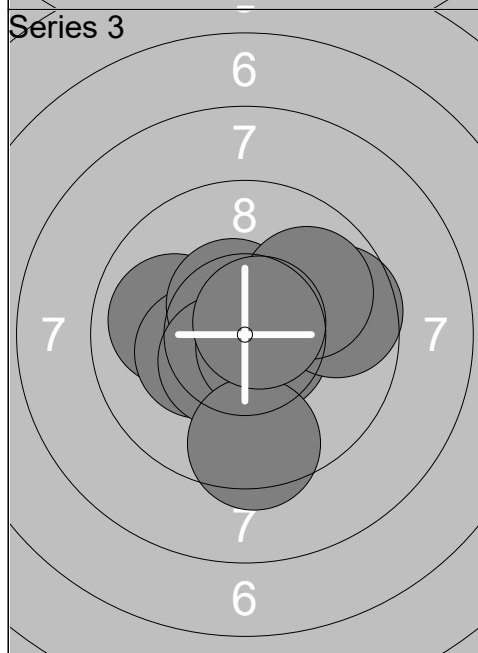
1:	10.4x ↘
2:	10.8x ↓
3:	10.5x ↘
4:	10.7x ↓
5:	10.5x ↓
6:	10.8x →
7:	10.4x →
8:	10.8x ↗
9:	10.8x →
10:	9.2 ↓
Series	104.9
	633.5



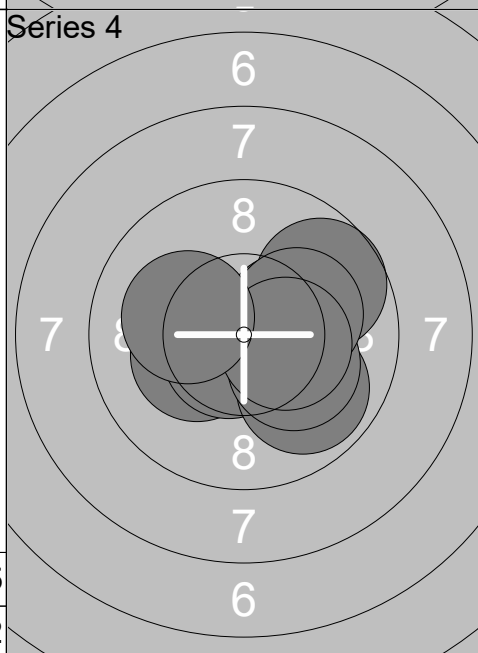
1:	10.6x ↘
2:	9.7 ↘
3:	10.2x ↑
4:	10.5x ↗
5:	10.4x ↙
6:	10.4x ↑
7:	10.3x ←
8:	10.7x ↖
9:	10.6x ↗
10:	9.9 ↑
Series	103.3
	103.3



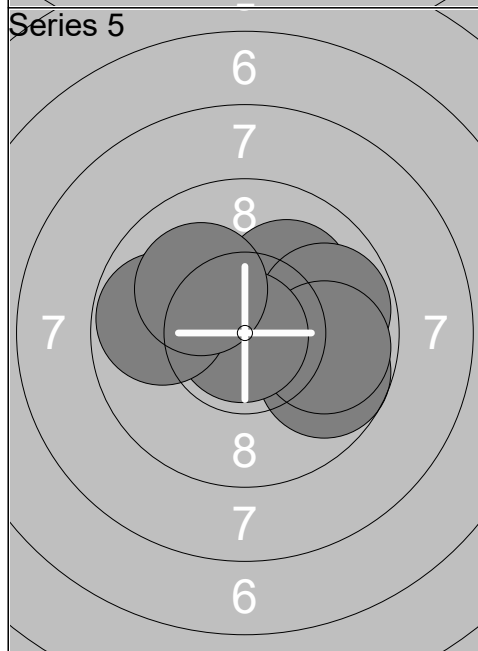
1:	9.6 ←
2:	9.6 ↑
3:	9.6 ↗
4:	10.2x ↓
5:	10.3x →
6:	9.9 ←
7:	9.9 ↙
8:	10.5x ↑
9:	10.2x ↘
10:	9.6 ↙
Series	99.4
	202.7



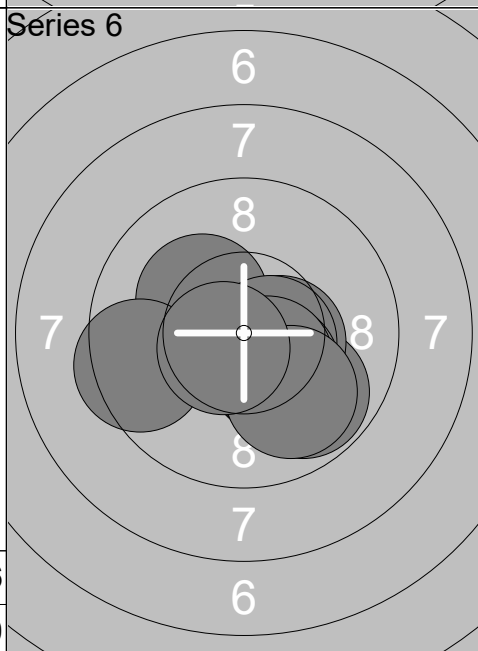
1:	10.0 ←
2:	10.8x ↖
3:	10.3x ←
4:	10.5x ↑
5:	10.5x ↙
6:	10.6x ↘
7:	9.5 ↓
8:	9.7 →
9:	9.9 ↗
10:	10.7x ↗
Series	102.5
	305.2



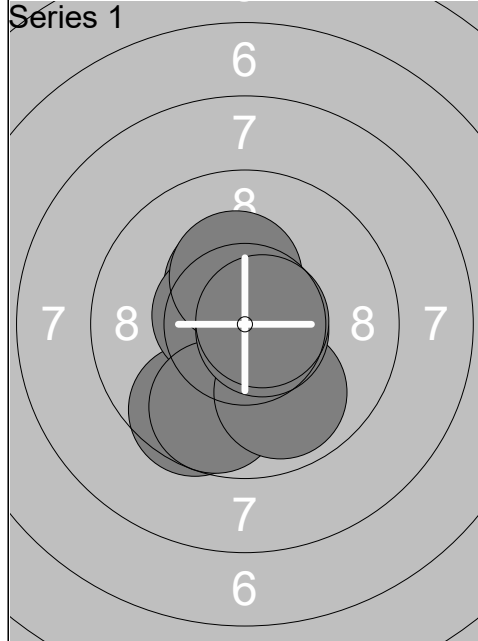
1:	10.4x →
2:	10.3x →
3:	10.3x ←
4:	9.7 ↗
5:	10.6x ↙
6:	9.9 ↘
7:	10.2x ↘
8:	10.2x →
9:	10.4x →
10:	10.2x ←
Series	102.2
	407.4



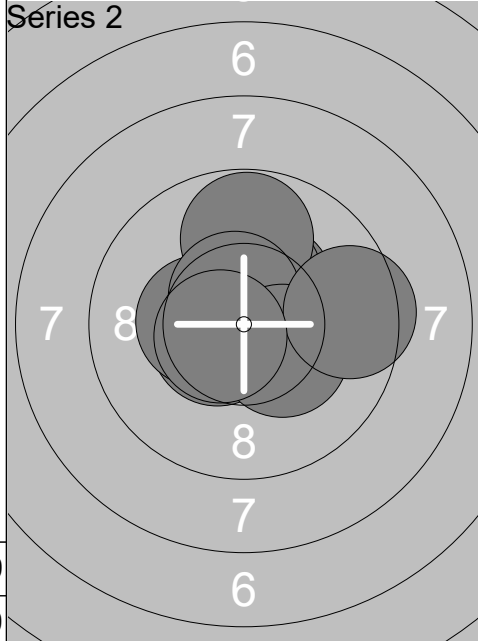
1:	10.5x ↗
2:	10.6x ↗
3:	10.1 ↗
4:	10.1 ↖
5:	9.8 ↘
6:	9.8 →
7:	9.9 →
8:	10.9x ↙
9:	9.8 ←
10:	10.1 ↖
Series	101.6
	509.0



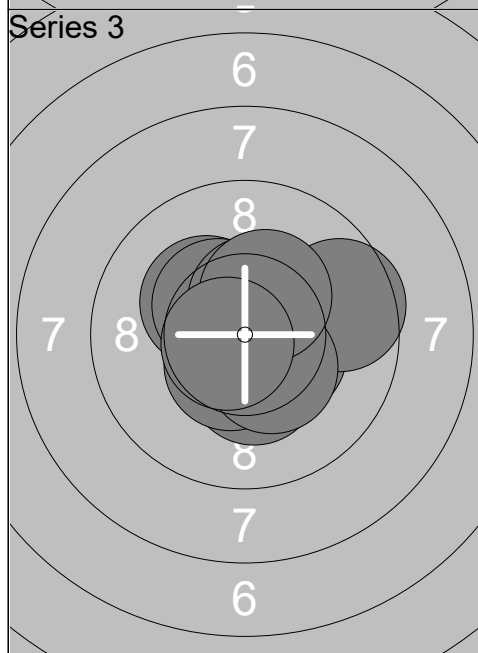
1:	9.8 ↘
2:	10.3x ↘
3:	10.2x ↖
4:	10.5x →
5:	10.6x →
6:	10.3x ↘
7:	9.5 ←
8:	10.4x ↘
9:	9.9 ↘
10:	10.6x ↙
Series	102.1
	611.1



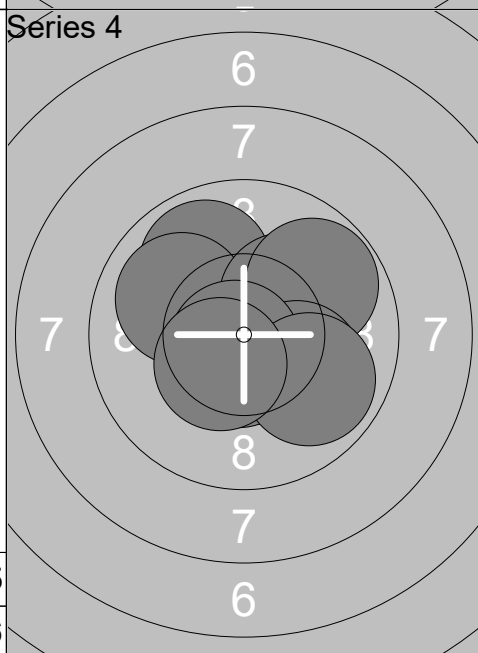
1:	9.6	↘
2:	10.2x	↘
3:	10.7x	↗
4:	10.4x	↗
5:	10.6x	↙
6:	9.8	↘
7:	9.9	↘
8:	10.3x	↗
9:	10.7x	→
10:	10.7x	→
Series	102.9	
	102.9	



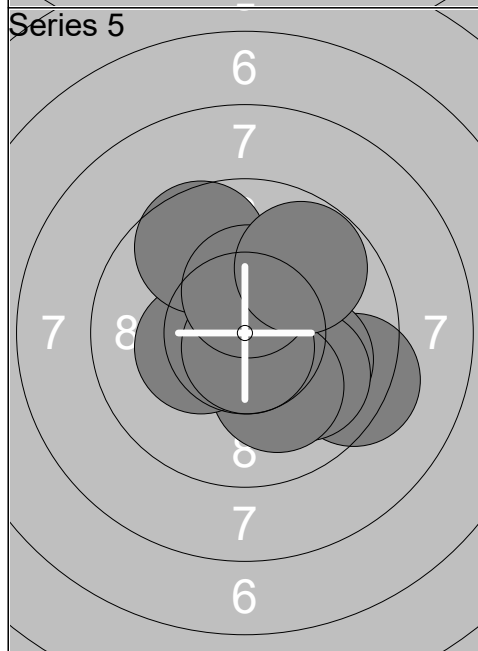
1:	10.4x	↗
2:	10.8x	↙
3:	10.3x	↗
4:	9.8	↗
5:	10.5x	↙
6:	10.4x	↙
7:	10.6x	↗
8:	10.3x	↘
9:	9.5	→
10:	10.6x	↙
Series	103.2	
	206.1	



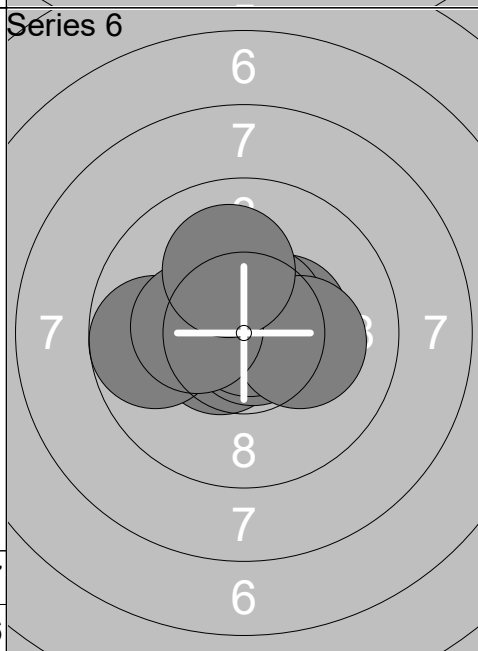
1:	10.3x	↗
2:	10.4x	→
3:	10.4x	↗
4:	10.5x	↗
5:	10.3x	↘
6:	10.5x	↘
7:	9.6	→
8:	10.4x	↘
9:	10.4x	↗
10:	10.7x	↙
Series	103.5	
	309.6	



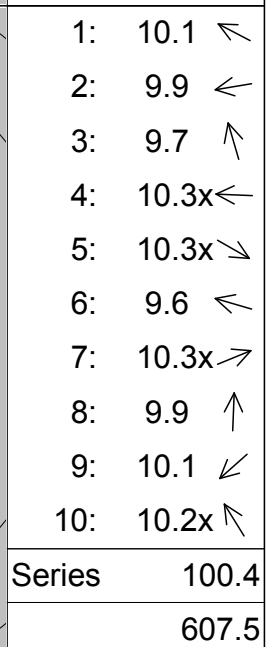
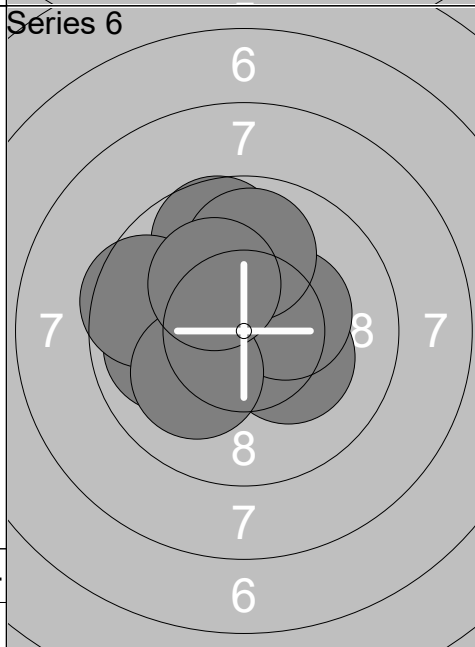
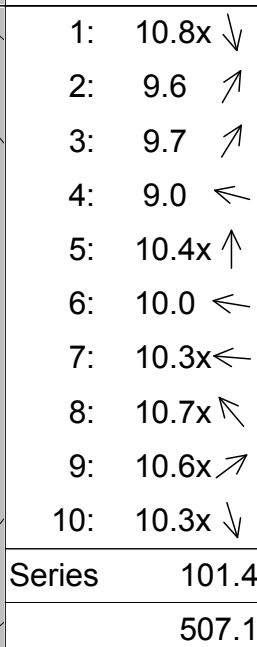
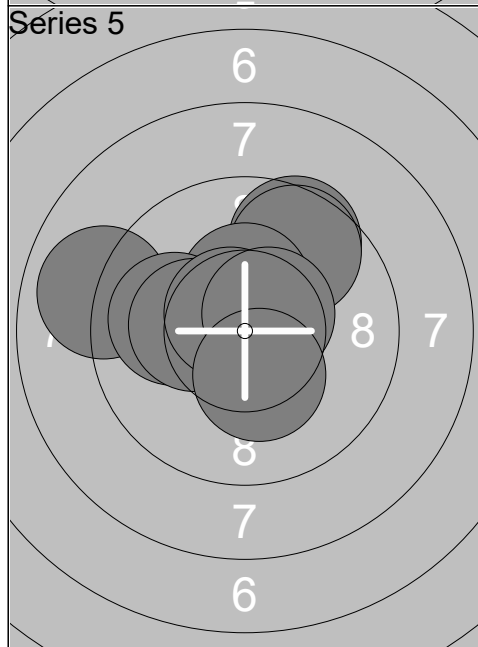
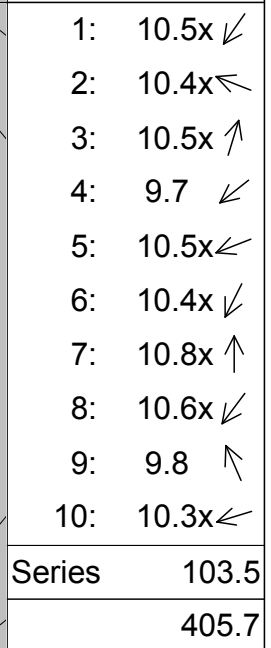
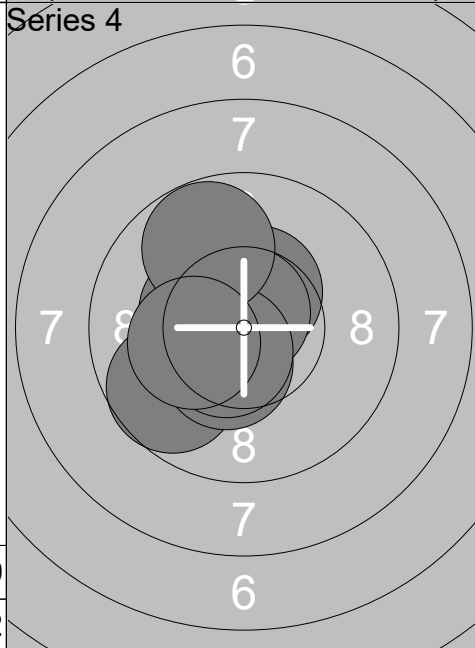
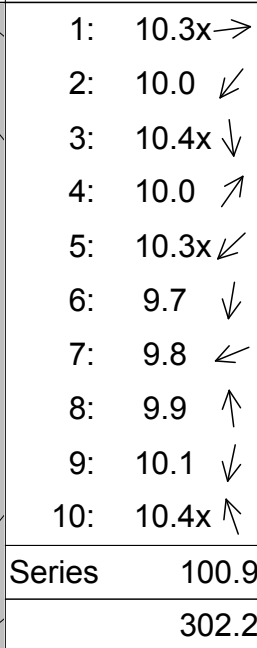
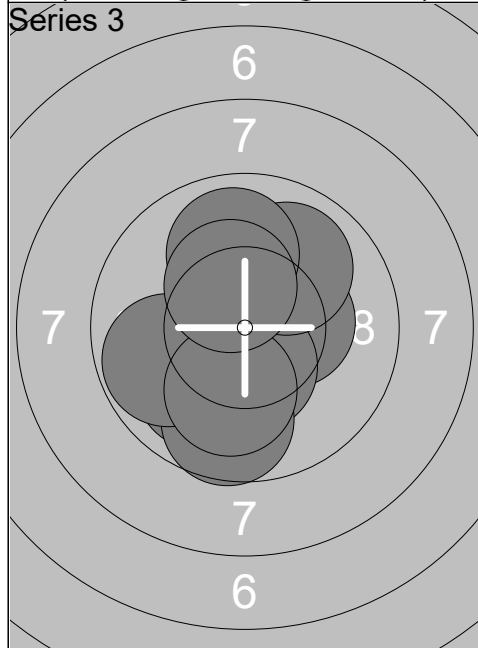
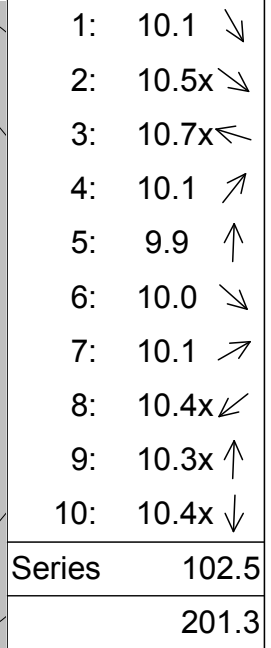
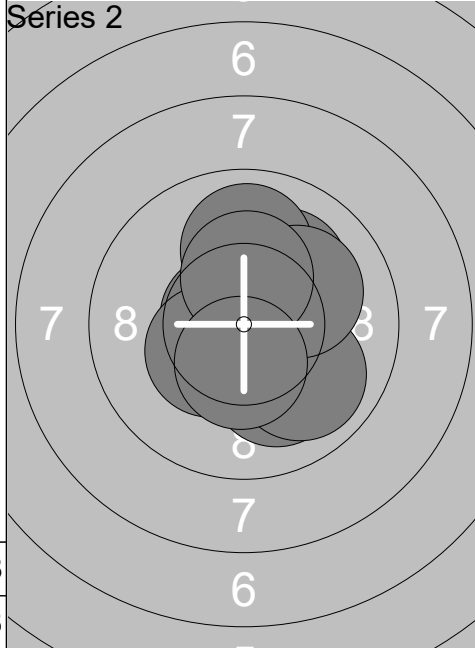
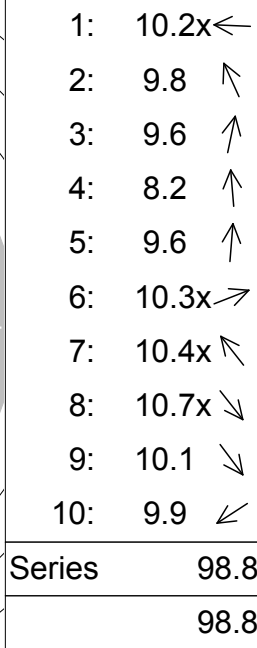
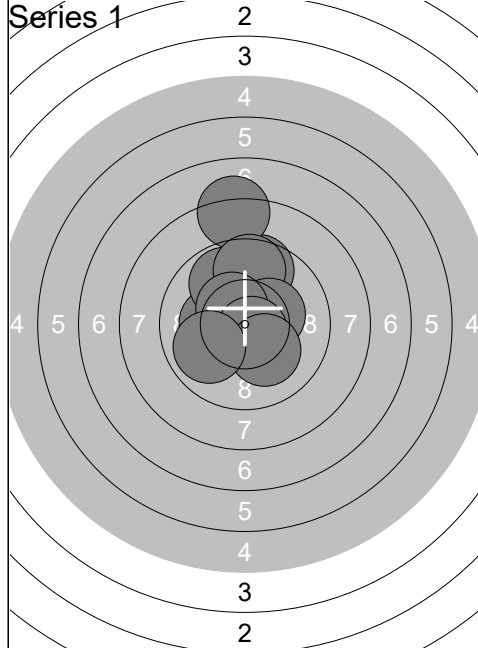
1:	9.9	↗
2:	10.0	↙
3:	10.2x	↗
4:	10.6x	↘
5:	9.8	↗
6:	10.1	→
7:	10.6x	↘
8:	10.7x	↘
9:	9.9	↘
10:	10.5x	↘
Series	102.3	
	411.9	

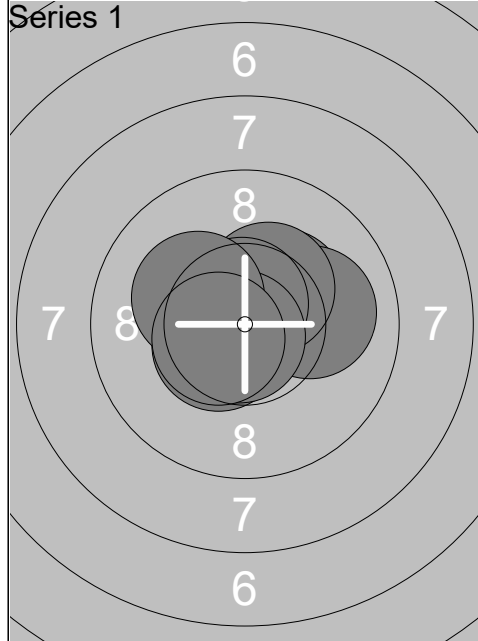


1:	9.3	→
2:	10.4x	↘
3:	10.1	→
4:	10.0	↘
5:	10.1	↘
6:	10.3x	↙
7:	9.6	↗
8:	10.7x	↘
9:	10.4x	↗
10:	9.8	↗
Series	100.7	
	512.6	

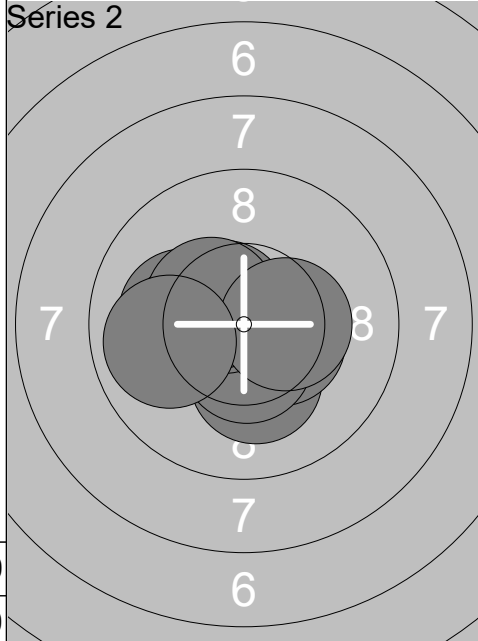


1:	10.4x	→
2:	10.6x	↙
3:	10.5x	↗
4:	10.6x	↗
5:	9.8	←
6:	10.8x	↘
7:	10.9x	↗
8:	10.2x	→
9:	10.3x	↙
10:	10.1	↗
Series	104.2	
	616.8	

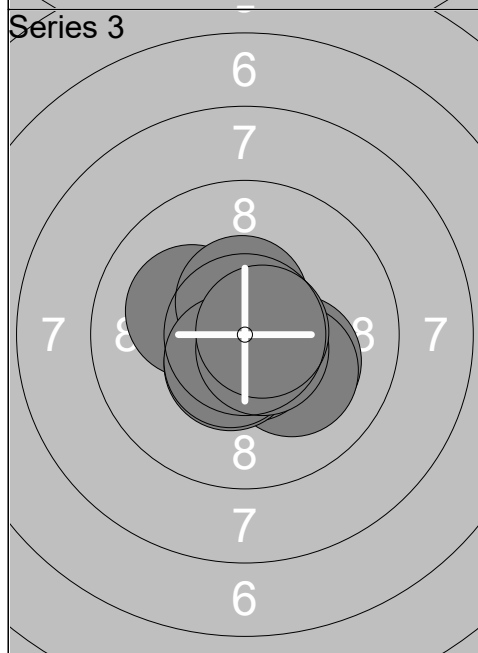




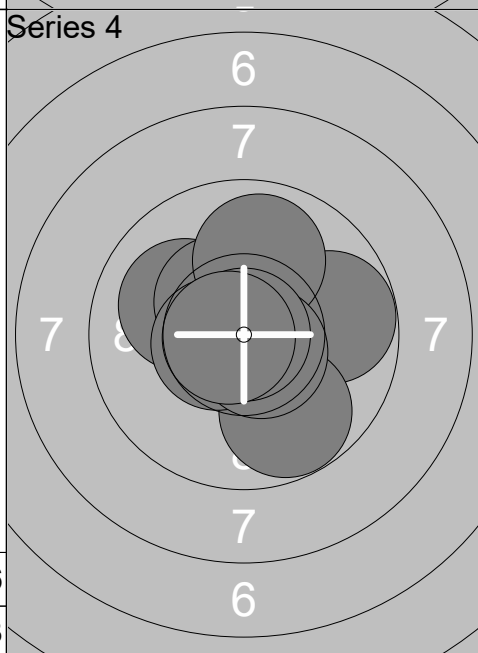
1:	10.3x ↗
2:	10.1 →
3:	10.7x ↙
4:	10.4x ↗
5:	10.8x ↙
6:	10.7x ↑
7:	10.5x ↙
8:	10.8x ↙
9:	10.2x ↖
10:	10.5x ↙
Series	105.0
	105.0



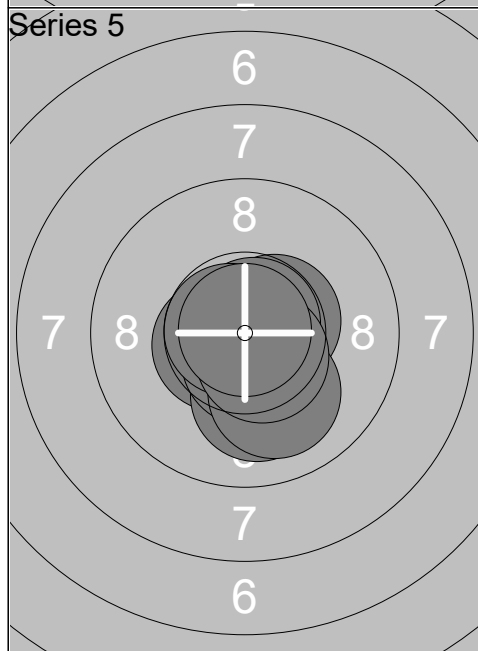
1:	10.1 ←
2:	10.2x ↓
3:	10.8x ←
4:	10.3x ←
5:	10.5x →
6:	10.5x ↓
7:	10.6x ↖
8:	10.4x ↖
9:	10.4x →
10:	9.9 ←
Series	103.7
	208.7



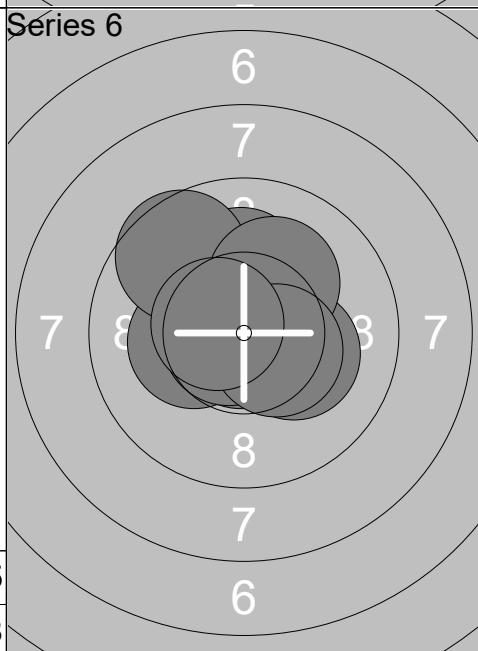
1:	10.2x ↖
2:	10.2x →
3:	10.6x ↓
4:	10.1 →
5:	10.5x ↑
6:	10.7x ↓
7:	10.5x ↓
8:	10.5x ↓
9:	10.6x ↘
10:	10.7x →
Series	104.6
	313.3



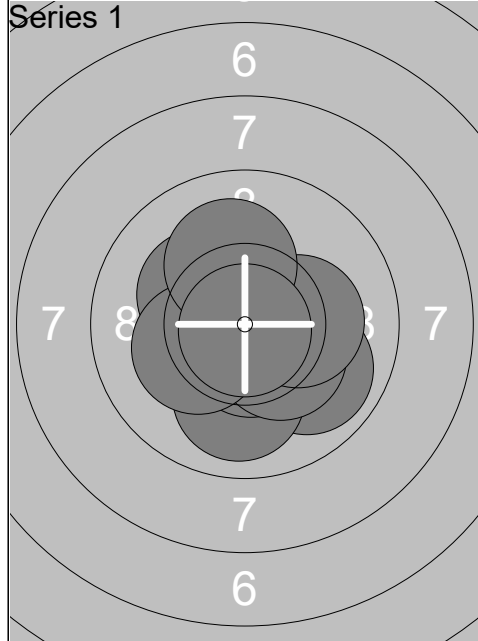
1:	10.3x ↗
2:	10.0 ↖
3:	9.8 →
4:	10.4x ↖
5:	9.8 ↓
6:	10.6x ←
7:	9.9 ↑
8:	10.6x ↘
9:	10.9x
10:	10.7x ←
Series	103.0
	416.3



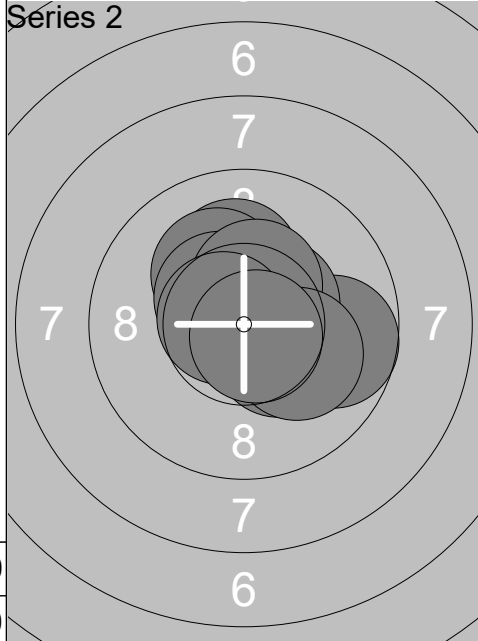
1:	10.7x ↓
2:	10.5x →
3:	10.5x ←
4:	10.8x ↗
5:	10.1 ↓
6:	10.6x ↓
7:	10.8x ←
8:	10.1 ↓
9:	10.5x ↓
10:	10.9x ↑
Series	105.5
	521.8



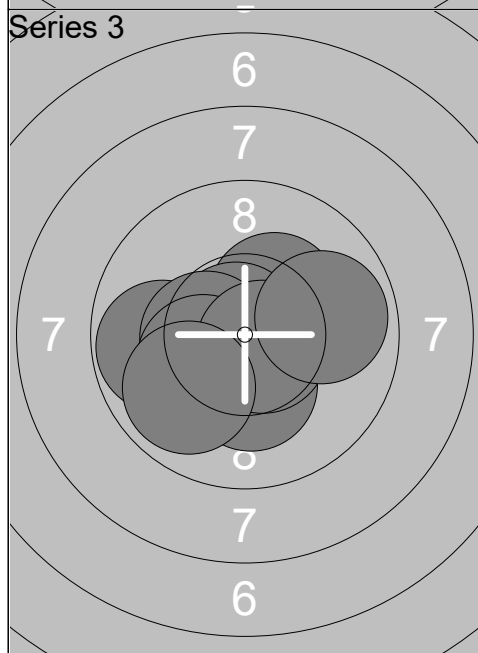
1:	10.1 ↑
2:	10.3x ←
3:	10.2x →
4:	10.8x ↓
5:	9.6 ↖
6:	10.7x ←
7:	10.6x ↗
8:	10.2x ↗
9:	10.5x →
10:	10.6x ←
Series	103.6
	625.4



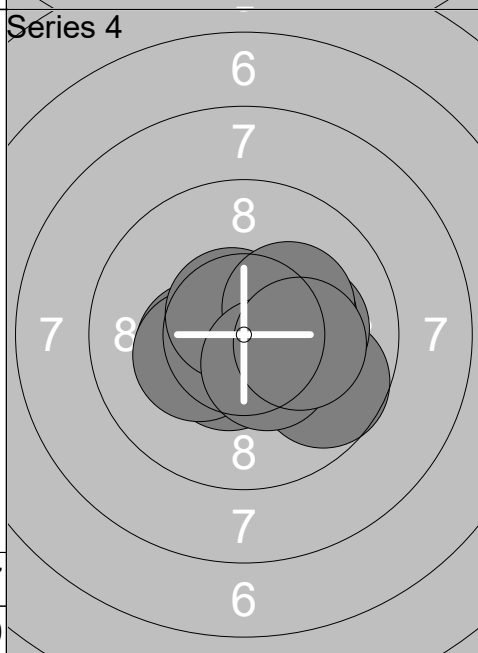
1:	10.5x	→
2:	9.9	↘
3:	10.0	↓
4:	10.6x	↓
5:	10.3x	↖
6:	10.3x	↘
7:	10.2x	↙
8:	10.2x	→
9:	10.1	↑
10:	10.9x	↓
Series	103.0	
	103.0	



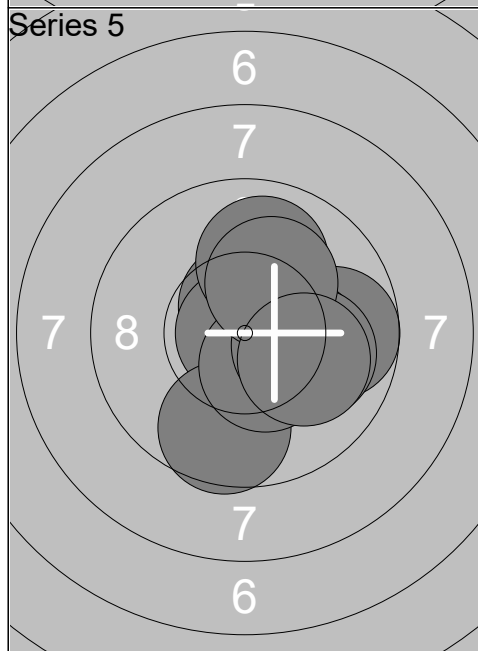
1:	10.2x	↑
2:	10.2x	↖
3:	10.5x	↖
4:	10.4x	↘
5:	9.7	→
6:	10.4x	↗
7:	10.4x	↑
8:	10.7x	↙
9:	10.1	↘
10:	10.7x	↘
Series	103.3	
	206.3	



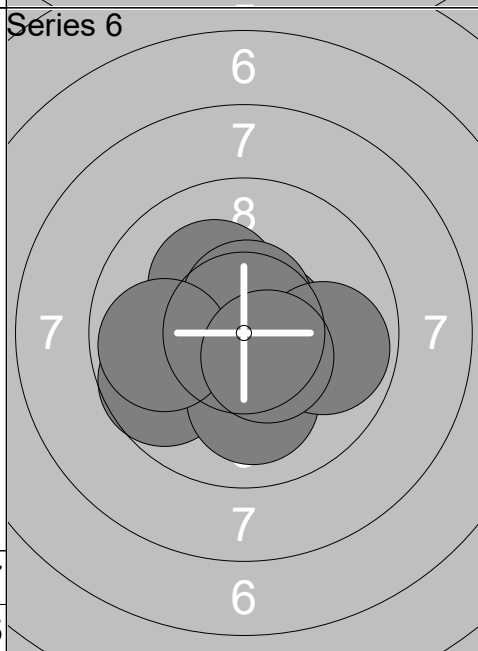
1:	9.8	←
2:	10.3x	↗
3:	10.3x	↙
4:	10.8x	↖
5:	10.4x	↙
6:	10.3x	↙
7:	10.3x	↓
8:	10.7x	↘
9:	9.9	↙
10:	9.9	→
Series	102.7	
	309.0	



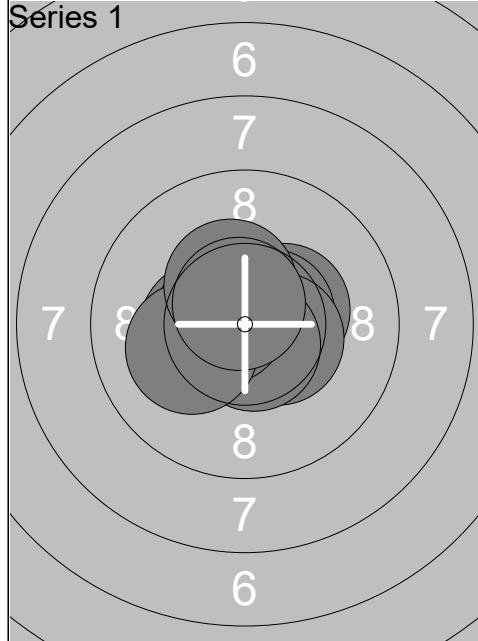
1:	10.5x	↙
2:	10.4x	↙
3:	10.3x	↙
4:	10.6x	↖
5:	9.7	↘
6:	10.1	→
7:	10.3x	→
8:	10.3x	↗
9:	10.4x	↘
10:	10.2x	→
Series	102.8	
	411.8	



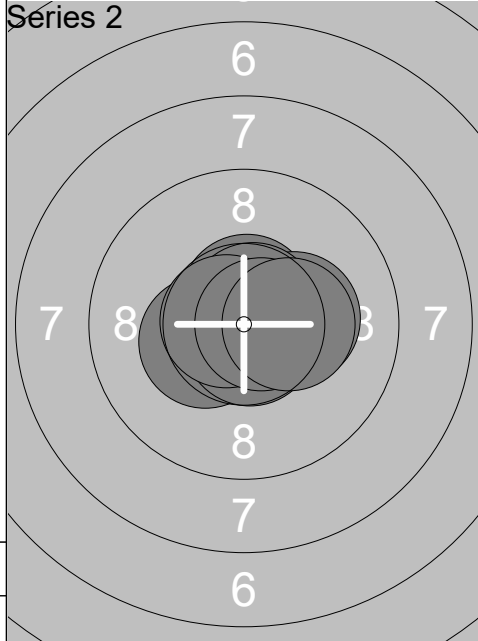
1:	10.6x	↑
2:	10.9x	↙
3:	10.0	↑
4:	9.7	→
5:	9.6	↓
6:	10.4x	↘
7:	10.2x	→
8:	10.0	→
9:	10.2x	↗
10:	10.1	↘
Series	101.7	
	513.5	



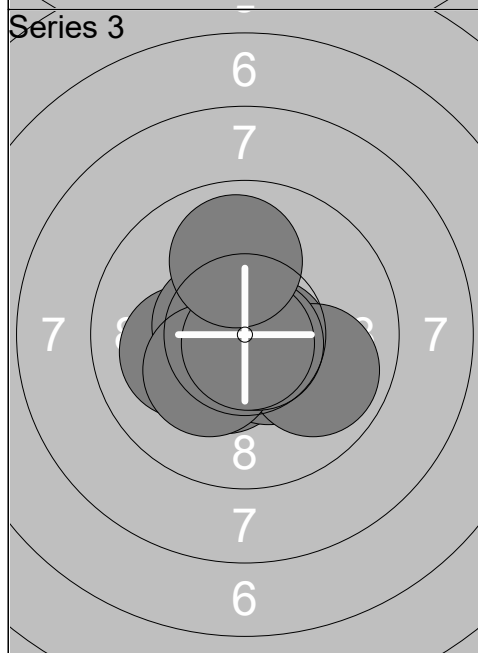
1:	10.8x	↑
2:	10.2x	↖
3:	9.7	↙
4:	10.1	↓
5:	10.6x	→
6:	10.7x	→
7:	10.6x	↑
8:	9.9	←
9:	9.8	→
10:	10.5x	↘
Series	102.9	
	616.4	



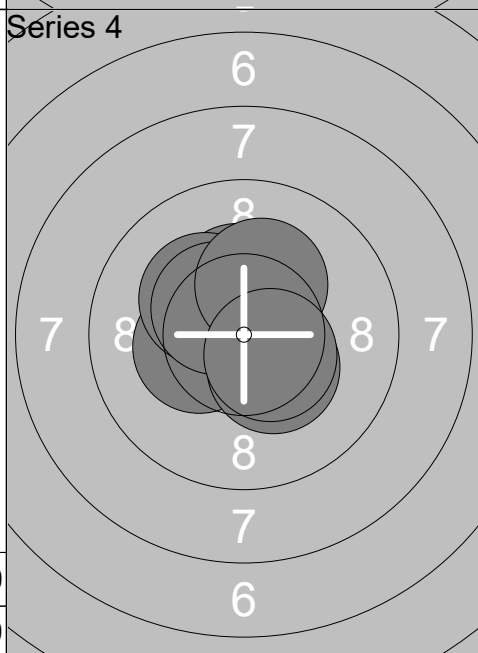
1:	10.4x ←
2:	10.4x →
3:	10.7x ↑
4:	10.6x →
5:	10.5x →
6:	10.6x ↓
7:	10.6x ←
8:	10.2x ←
9:	10.4x ↑
10:	10.7x ↑
Series	105.1
	105.1



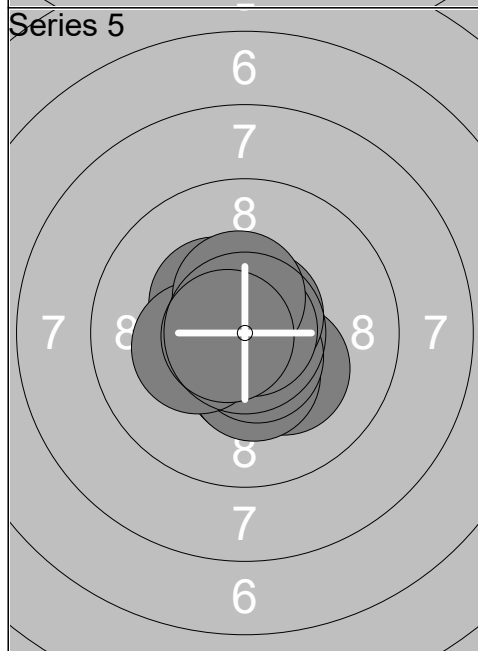
1:	10.4x ↙
2:	10.6x ↑
3:	10.6x →
4:	10.8x →
5:	10.3x →
6:	10.7x ↗
7:	10.7x ↓
8:	10.7x ←
9:	10.7x →
10:	10.3x →
Series	105.8
	210.9



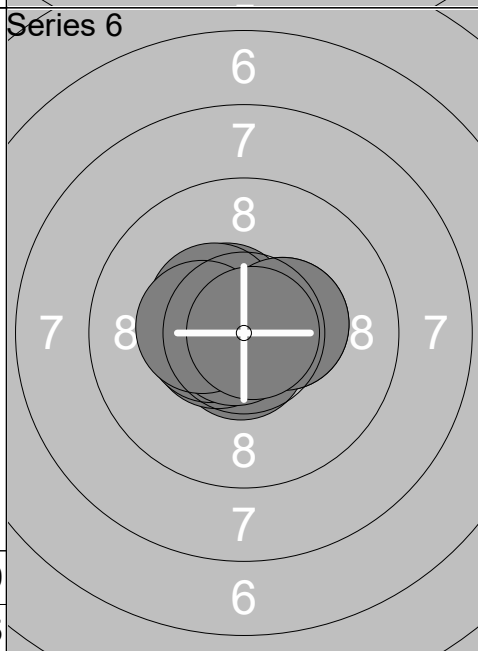
1:	10.4x ↓
2:	10.5x ↓
3:	10.7x →
4:	10.1 ←
5:	10.6x ←
6:	9.9 →
7:	10.3x ↙
8:	10.7x ↓
9:	10.8x ↓
10:	10.0 ↑
Series	104.0
	314.9



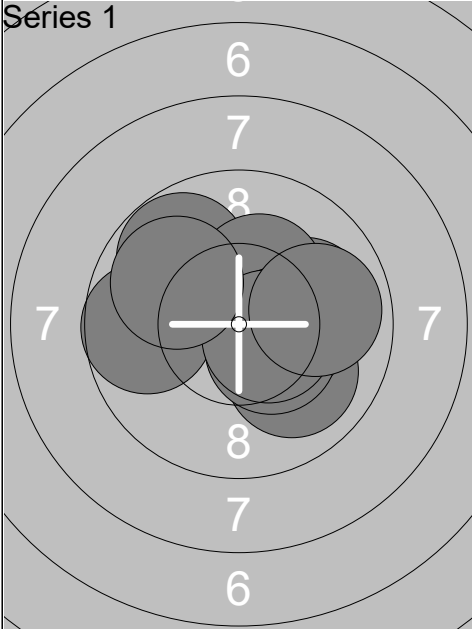
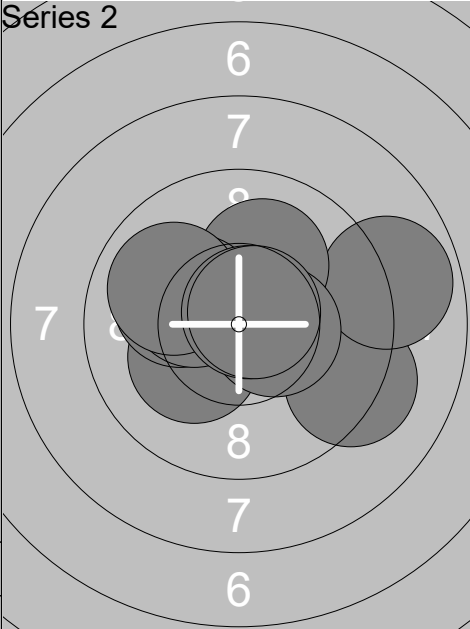
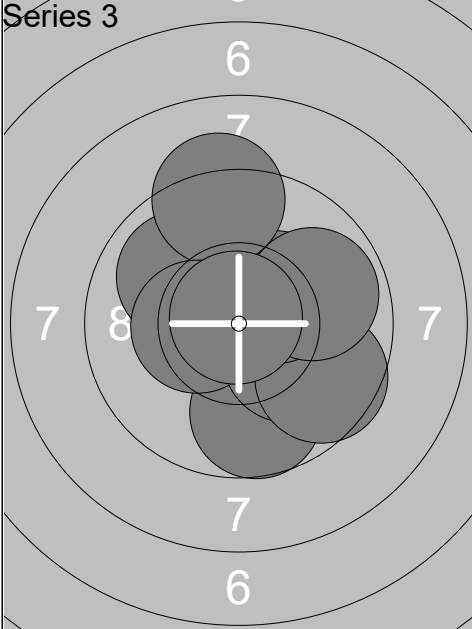
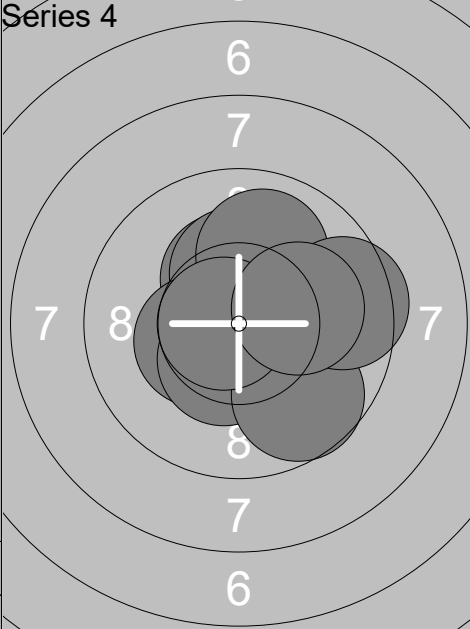
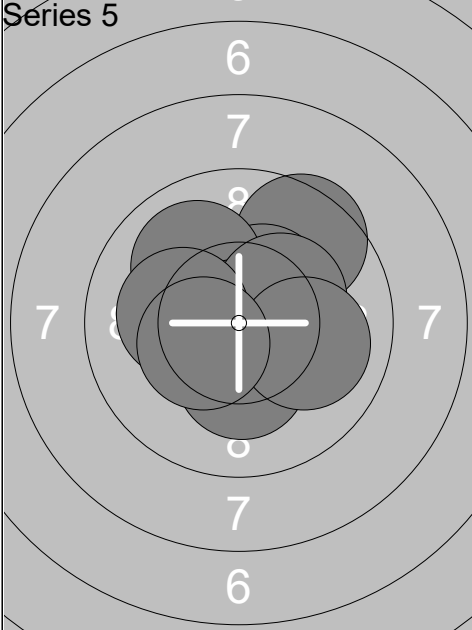
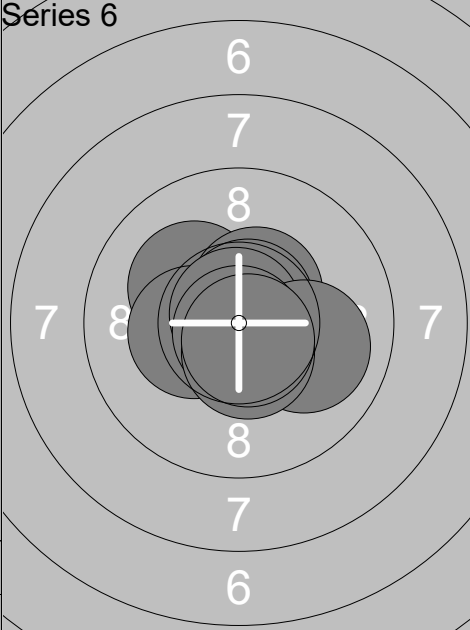
1:	10.7x ↗
2:	10.8x ↖
3:	10.7x ↗
4:	10.3x ←
5:	10.4x ↑
6:	10.2x ↖
7:	10.4x ↖
8:	10.2x ↑
9:	10.4x ↓
10:	10.5x ↓
Series	104.6
	419.5



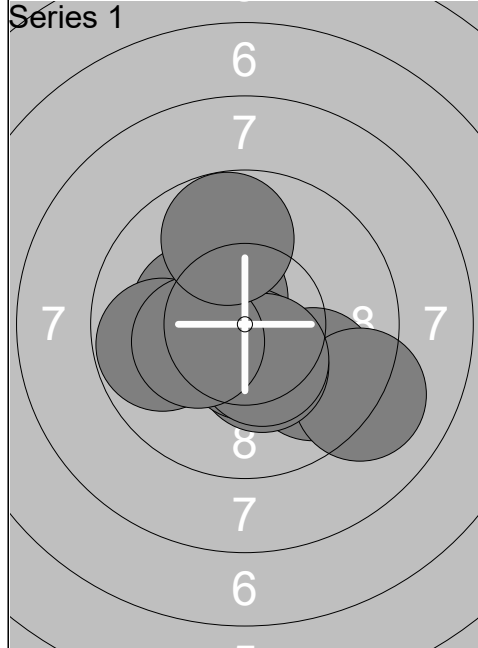
1:	10.4x ↓
2:	10.2x →
3:	10.4x ↓
4:	10.6x ↓
5:	10.4x ↖
6:	10.3x ←
7:	10.7x ↗
8:	10.9x →
9:	10.4x ↑
10:	10.7x ←
Series	105.0
	524.5



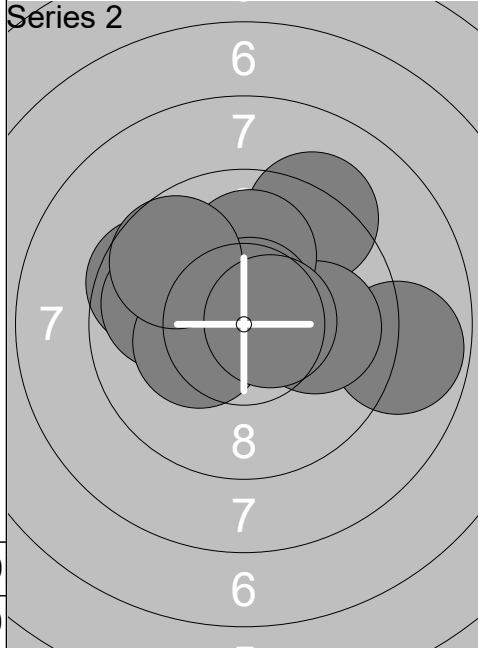
1:	10.4x →
2:	10.7x ↓
3:	10.6x ←
4:	10.6x ↖
5:	10.5x ←
6:	10.4x ↖
7:	10.8x ←
8:	10.4x →
9:	10.4x ←
10:	10.8x →
Series	105.6
	630.1

Relay	Lane	Moa Nilsson		
2	24	SWE	W	R
Qual Day 2		Denmark Open Air 2026		Denmark Open Air 2026
11.02.2026				
Series 1 	1: 10.0 →	Series 2 	1: 9.3 ↘	
	2: 10.0 ↘		2: 8.9 →	
	3: 9.7 ←		3: 10.2x ↙	
	4: 9.8 ↗		4: 10.1 ↗	
	5: 10.3x ↗		5: 10.1 ←	
	6: 10.4x →		6: 10.5x →	
	7: 10.4x ↘		7: 10.3x ↖	
	8: 10.5x ↘		8: 10.0 ↖	
	9: 9.9 ↖		9: 10.8x ↗	
	10: 9.9 →		10: 10.7x ↗	
	Series 100.9		Series 100.9	
	100.9		201.8	
Series 3 	1: 9.7 ↓	Series 4 	1: 10.6x ↙	
	2: 10.2x ↘		2: 10.3x ↗	
	3: 9.6 ↘		3: 10.3x ↗	
	4: 10.5x ↗		4: 10.4x ↖	
	5: 10.3x ↗		5: 10.4x ↓	
	6: 10.0 ↖		6: 9.7 ↘	
	7: 9.9 →		7: 10.0 ↗	
	8: 9.2 ↗		8: 9.5 →	
	9: 10.4x ←		9: 10.7x ←	
	10: 10.9x ↖		10: 10.1 →	
	Series 100.7		Series 102.0	
	302.5		404.5	
Series 5 	1: 9.6 ↗	Series 6 	1: 10.2x ↖	
	2: 10.6x →		2: 10.5x ↗	
	3: 10.4x ↗		3: 10.7x ↗	
	4: 10.0 ↖		4: 10.7x ↓	
	5: 10.9x ↙		5: 10.3x ←	
	6: 10.3x ↗		6: 10.8x ↗	
	7: 10.3x ↓		7: 10.0 →	
	8: 10.0 →		8: 10.8x ↓	
	9: 10.2x ←		9: 10.5x ↓	
	10: 10.4x ↙		10: 10.7x ↓	
	Series 102.7		Series 105.2	
	507.2		612.4	

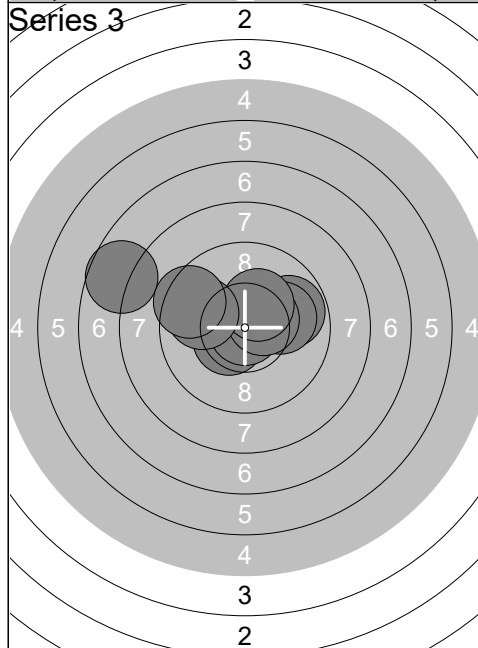
Relay	Lane	Nora Olsson		
2	25	SWE	W	R
Qual Day 2		Denmark Open Air 2026		Denmark Open Air 2026
11.02.2026				
Series 1 	1: 10.5x ↙	Series 2 	1: 10.4x ➔	
	2: 10.5x ↓		2: 10.3x ➔	
	3: 10.6x ↗		3: 10.0 ↖	
	4: 10.8x ↖		4: 10.5x ➔	
	5: 10.6x ➔		5: 10.4x ↑	
	6: 10.6x ↗		6: 10.2x ↖	
	7: 10.4x ↖		7: 10.8x ↗	
	8: 9.9 ↖		8: 10.2x ↙	
	9: 10.6x ↗		9: 10.0 ➔	
	10: 10.1 ↑		10: 10.5x ↖	
	Series 104.6		Series 103.3	
	104.6		207.9	
Series 3 	1: 10.3x ↓	Series 4 	1: 10.3x ↙	
	2: 9.9 ←		2: 10.5x ↗	
	3: 10.1 ➔		3: 10.4x ↑	
	4: 10.4x ↖		4: 10.2x ↖	
	5: 10.3x ↑		5: 10.5x ↑	
	6: 10.3x ➔		6: 10.0 ↗	
	7: 10.4x ↑		7: 10.3x ↗	
	8: 10.1 ↗		8: 10.3x ↖	
	9: 9.9 ↖		9: 10.4x ↙	
	10: 10.5x ↙		10: 10.6x ↙	
	Series 102.2		Series 103.5	
	310.1		413.6	
Series 5 	1: 9.9 ➔	Series 6 	1: 10.6x ↘	
	2: 10.4x ↓		2: 10.3x ↙	
	3: 10.3x ↘		3: 10.6x ↗	
	4: 10.7x ↓		4: 10.4x ↑	
	5: 10.6x ➔		5: 9.7 ←	
	6: 10.8x ↙		6: 9.9 ➔	
	7: 10.4x ↘		7: 10.0 ↑	
	8: 10.5x ↗		8: 9.7 ↗	
	9: 10.3x ↓		9: 10.3x ➔	
	10: 10.5x ↗		10: 10.2x ➔	
	Series 104.4		Series 101.7	
	518.0		619.7	



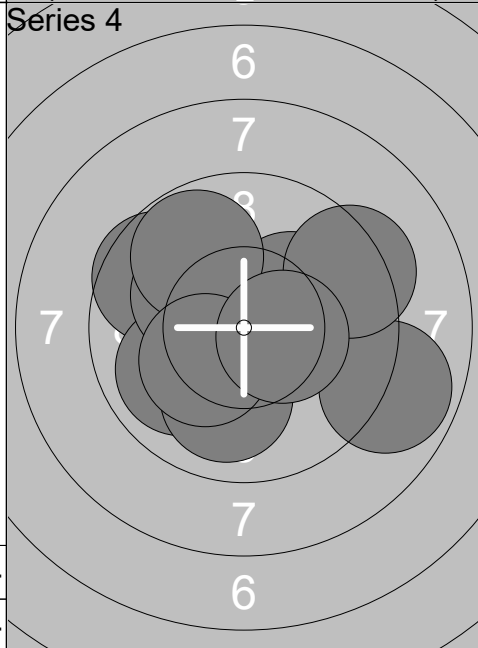
1:	10.5x ↗
2:	9.8 ↘
3:	10.3x ↙
4:	9.1 ↘
5:	10.4x ↓
6:	10.6x ↓
7:	9.8 ←
8:	10.4x ↓
9:	10.3x ↙
10:	9.8 ↑
Series	101.0
	101.0



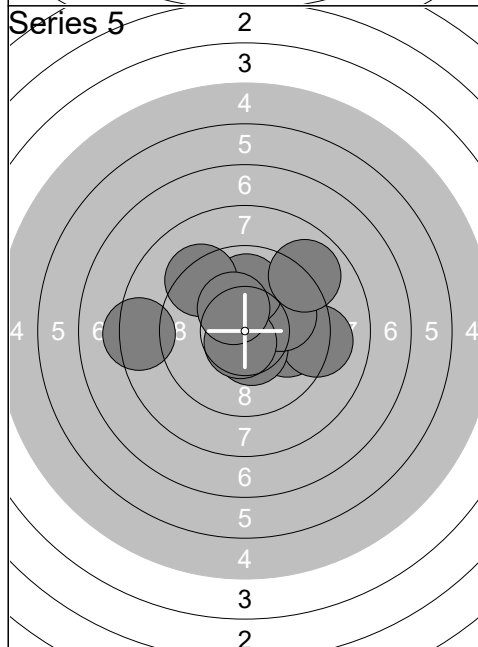
1:	9.6 ↖
2:	9.9 ↖
3:	8.9 →
4:	9.3 ↗
5:	10.0 →
6:	10.0 ↑
7:	10.7x ↑
8:	10.3x ↙
9:	9.7 ↖
10:	10.6x →
Series	99.0
	200.0



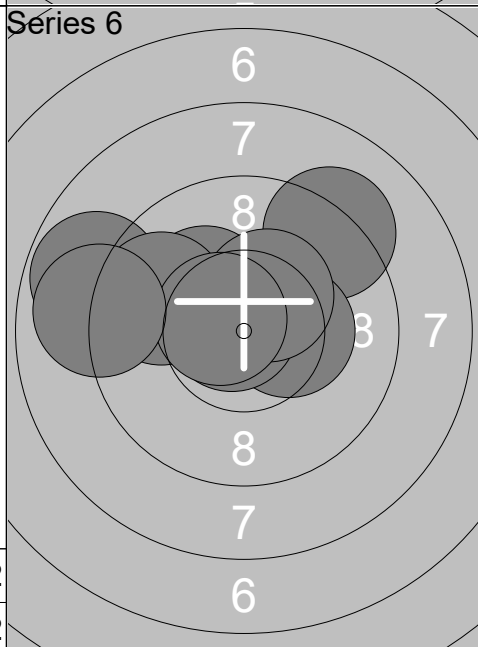
1:	9.8 →
2:	10.4x ↗
3:	10.5x ↙
4:	10.0 →
5:	10.9x ↓
6:	10.5x →
7:	10.3x ↗
8:	7.7 ←
9:	9.8 ←
10:	9.5 ↖
Series	99.4
	299.4



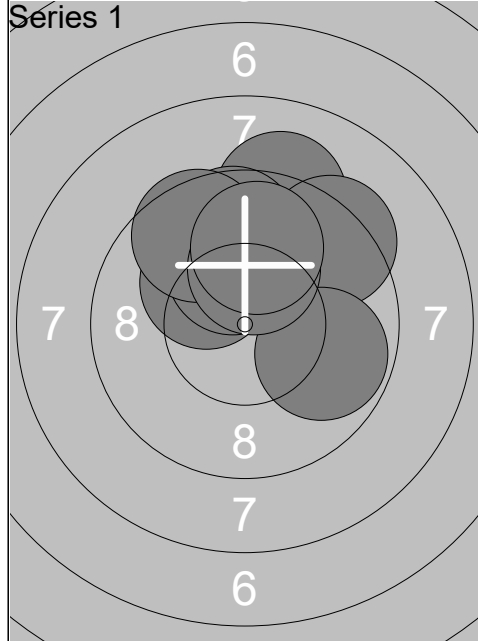
1:	9.6 ↖
2:	9.9 ↖
3:	10.2x ↙
4:	10.0 ↓
5:	10.2x ↗
6:	9.8 ↖
7:	10.3x ↙
8:	8.9 →
9:	9.3 ↗
10:	10.4x →
Series	98.6
	398.0



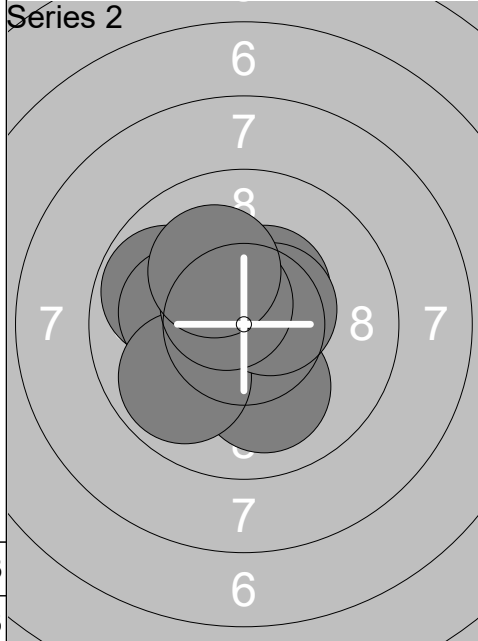
1:	9.9 →
2:	8.4 ←
3:	9.2 →
4:	10.5x ↓
5:	10.0 →
6:	10.0 ↑
7:	9.3 ↖
8:	10.7x ↓
9:	8.9 ↗
10:	10.3x ↖
Series	97.2
	495.2



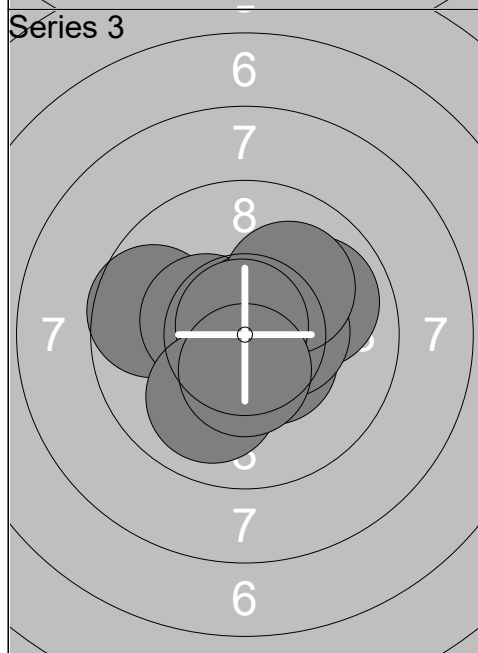
1:	8.8 ↖
2:	9.2 ↗
3:	10.5x ↗
4:	10.2x ↖
5:	10.4x →
6:	10.8x ↙
7:	10.4x ↗
8:	9.7 ↖
9:	10.6x ↙
10:	9.0 ←
Series	99.6
	594.8



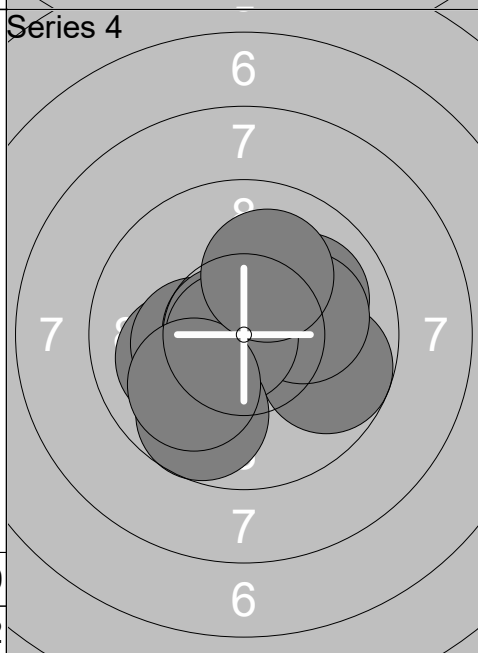
1:	9.2	↑
2:	10.1	↑
3:	9.7	↑
4:	10.2x	↖
5:	9.4	↗
6:	10.2x	↑
7:	9.6	↑
8:	9.8	➤
9:	10.2x	↑
10:	9.9	↑
Series	98.3	
	98.3	



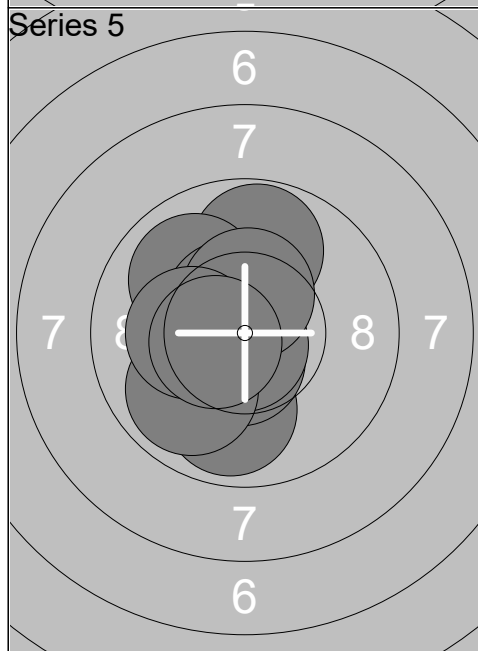
1:	10.7x	↓
2:	9.8	↖
3:	10.1	↓
4:	10.4x	↗
5:	10.7x	↑
6:	10.1	↖
7:	9.9	↙
8:	10.5x	↗
9:	10.6x	↖
10:	10.1	↖
Series	102.9	
	201.2	



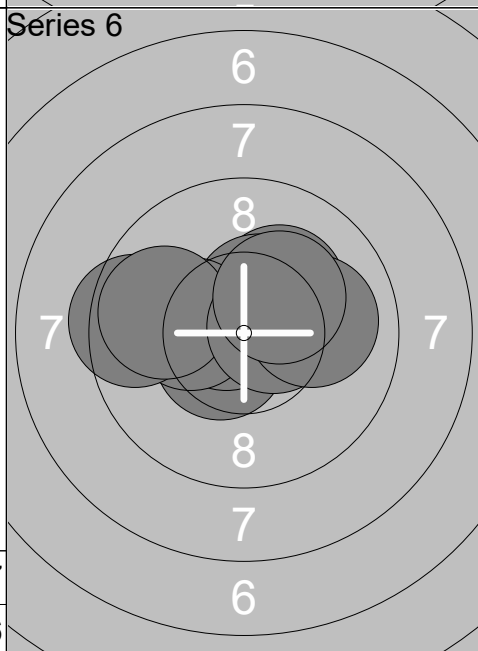
1:	9.9	↗
2:	9.7	↖
3:	10.5x	↘
4:	10.4x	↖
5:	10.7x	↗
6:	10.4x	➤
7:	10.1	↗
8:	10.8x	↑
9:	10.0	↓
10:	10.5x	↓
Series	103.0	
	304.2	



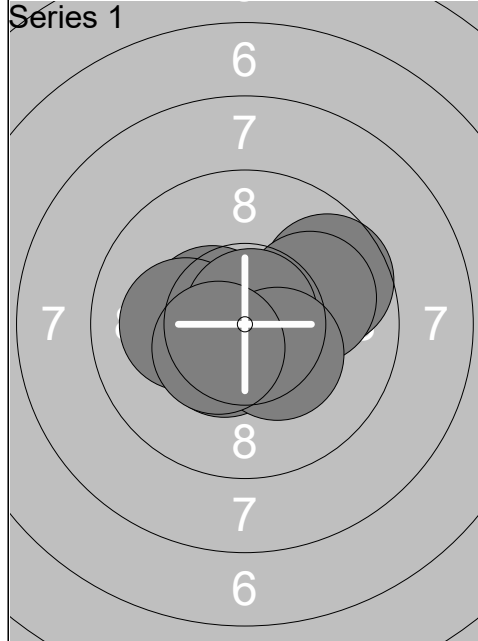
1:	10.1	↖
2:	9.8	➤
3:	10.3x	↖
4:	10.8x	↖
5:	10.0	↗
6:	10.1	➤
7:	10.8x	↖
8:	9.7	↓
9:	10.0	↙
10:	10.1	↗
Series	101.7	
	405.9	



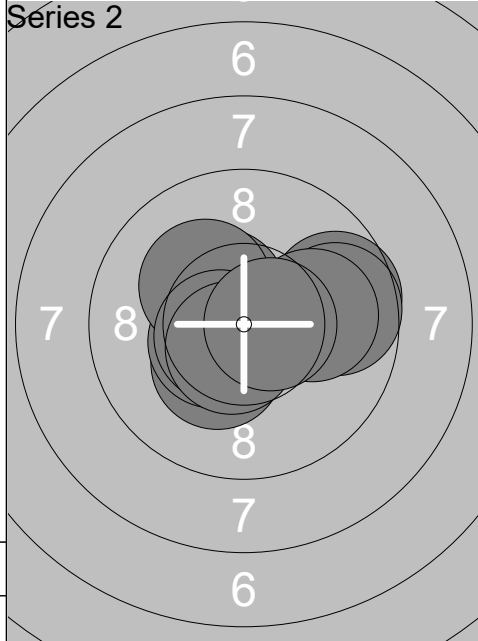
1:	9.8	↑
2:	9.9	↓
3:	10.6x	↓
4:	10.0	↖
5:	10.5x	↖
6:	10.8x	↓
7:	10.4x	↑
8:	9.9	↙
9:	10.2x	↖
10:	10.6x	↖
Series	102.7	
	508.6	



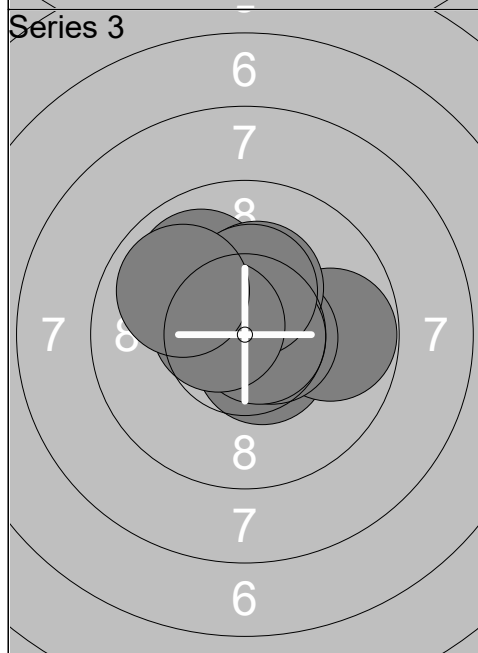
1:	10.2x	↗
2:	10.5x	↙
3:	10.7x	↖
4:	10.5x	↑
5:	10.2x	↖
6:	9.5	↖
7:	9.8	↖
8:	10.6x	➤
9:	10.0	➤
10:	10.3x	↗
Series	102.3	
	610.9	



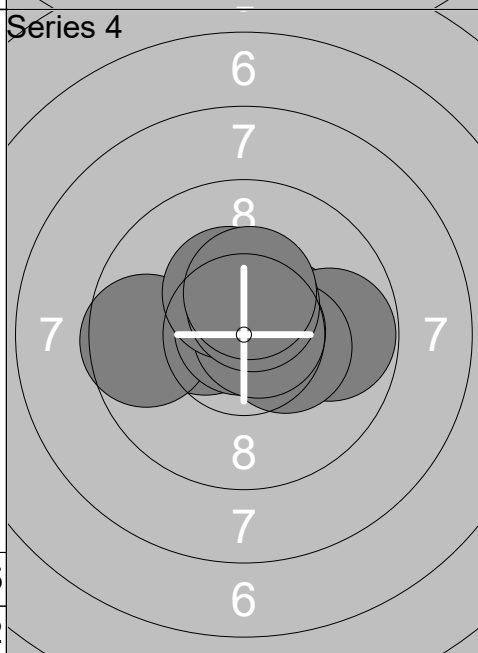
1:	10.7x ↘
2:	10.8x ↖
3:	9.7 →
4:	10.0 →
5:	10.5x ↖
6:	10.2x ←
7:	10.5x ↘
8:	10.8x ↗
9:	10.4x ↘
10:	10.5x ↙
Series	104.1
	104.1



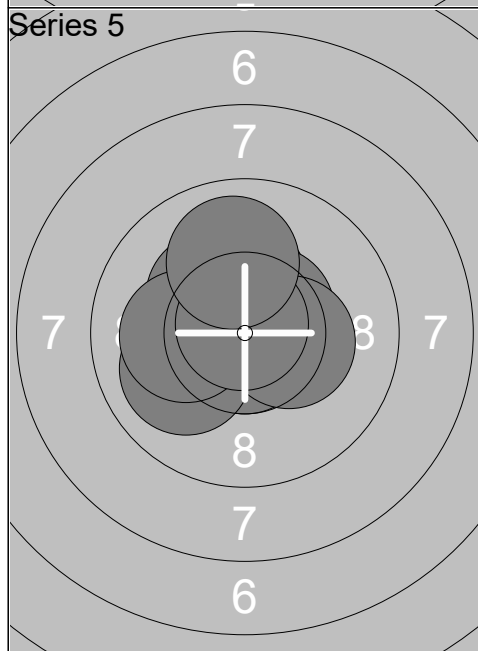
1:	10.4x ↖
2:	10.3x ↘
3:	10.5x ↙
4:	10.2x ↖
5:	10.6x ↙
6:	9.7 →
7:	9.7 →
8:	10.6x ↘
9:	10.0 →
10:	10.6x →
Series	102.6
	206.7



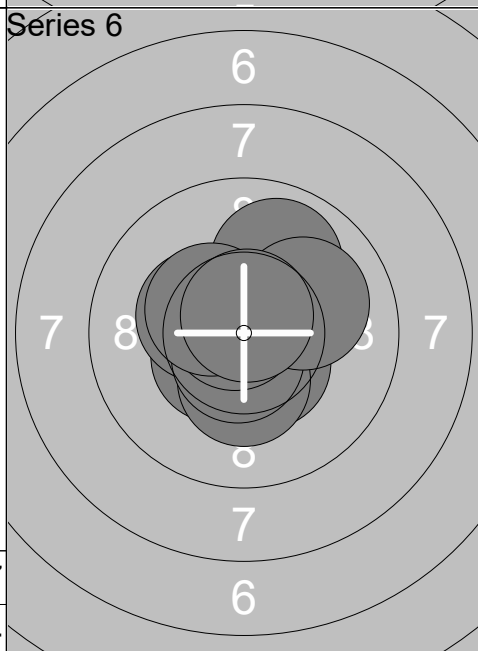
1:	10.5x ↘
2:	10.6x ↗
3:	10.0 ↖
4:	9.8 →
5:	10.6x →
6:	10.3x ↗
7:	10.8x →
8:	10.4x ↗
9:	10.6x ↖
10:	9.9 ↖
Series	103.5
	310.2



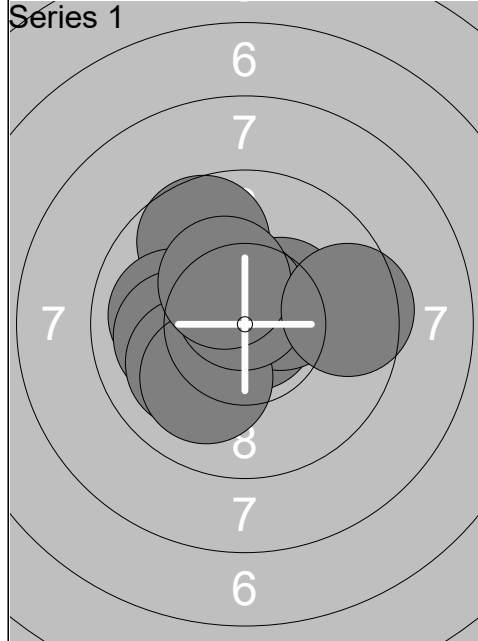
1:	10.4x →
2:	10.4x ←
3:	9.6 ←
4:	9.8 →
5:	10.4x →
6:	10.8x ↖
7:	10.8x →
8:	10.4x ↖
9:	10.5x ↗
10:	10.4x ↗
Series	103.5
	413.7



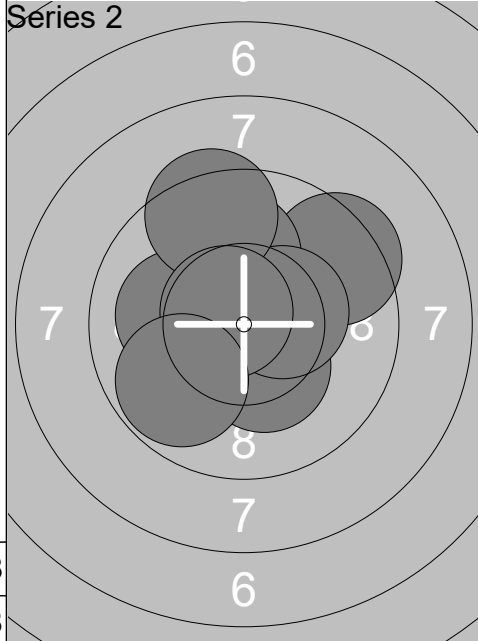
1:	10.3x ↖
2:	10.5x ↖
3:	10.3x ↗
4:	10.5x ↗
5:	10.8x ↘
6:	10.0 ↖
7:	10.2x ←
8:	10.3x →
9:	10.8x ↖
10:	10.0 ↗
Series	103.7
	517.4



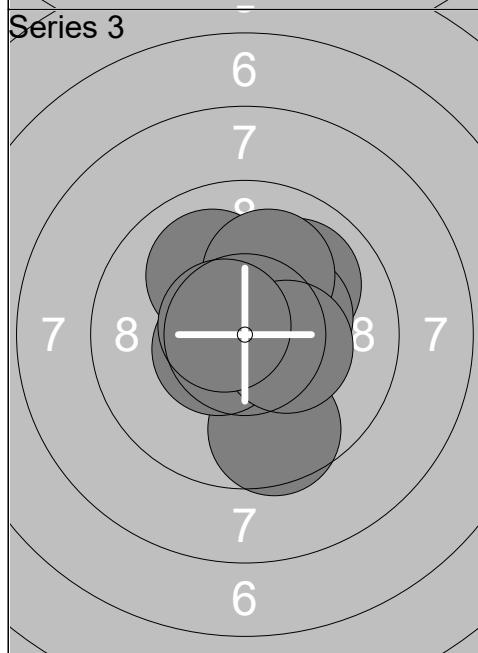
1:	10.5x ↙
2:	10.5x ↘
3:	10.3x ↘
4:	10.4x ↖
5:	10.6x ↘
6:	9.9 ↗
7:	10.8x ↖
8:	10.4x ↖
9:	10.1 →
10:	10.7x ↗
Series	104.2
	621.6



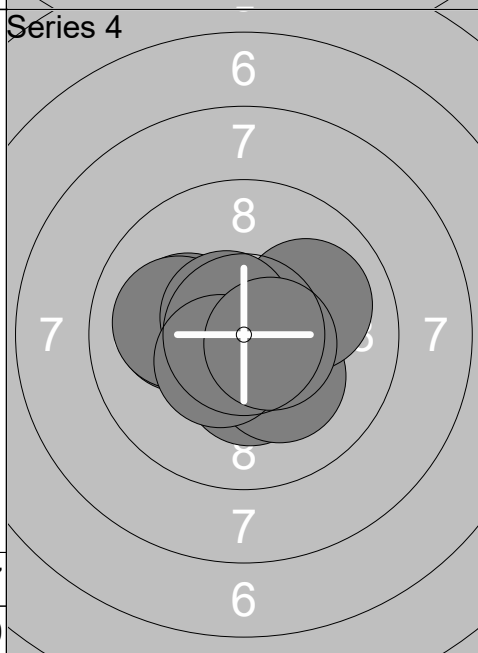
1:	9.7	↖
2:	10.0	←
3:	10.9x	→
4:	10.4x	↗
5:	10.1	←
6:	10.1	↙
7:	10.1	↘
8:	10.7x	↑
9:	10.3x	↖
10:	9.5	→
Series	101.8	
	101.8	



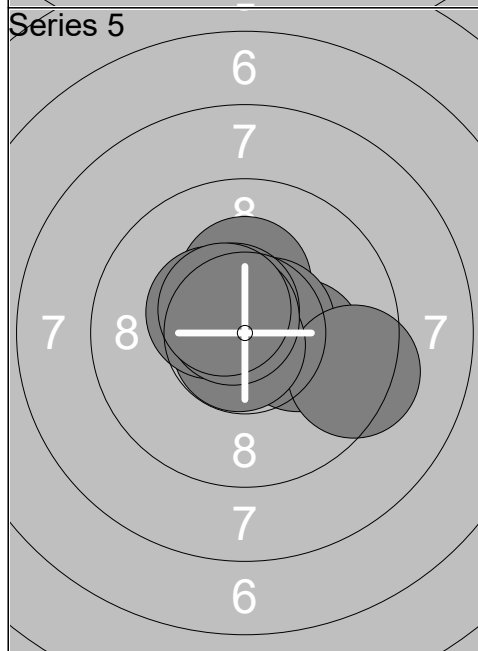
1:	10.7x	↖
2:	10.7x	↖
3:	9.4	↗
4:	10.3x	↘
5:	10.0	↑
6:	10.4x	→
7:	10.1	←
8:	9.4	↑
9:	10.7x	↖
10:	9.8	↘
Series	101.5	
	203.3	



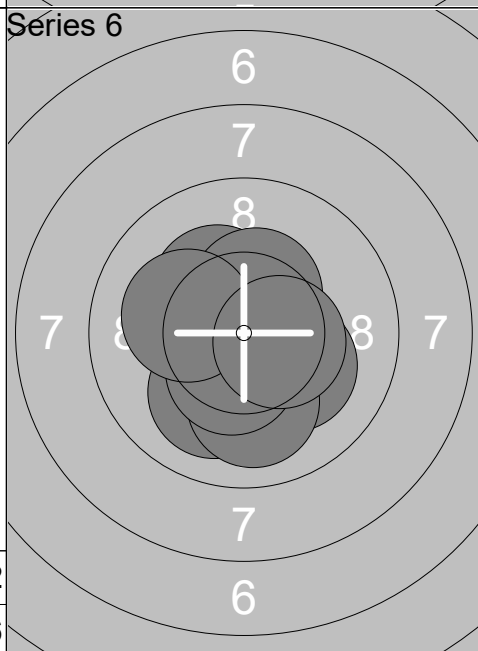
1:	10.5x	↗
2:	10.0	↗
3:	9.6	↘
4:	10.3x	→
5:	10.6x	↗
6:	10.0	↖
7:	10.5x	↙
8:	10.1	↗
9:	10.4x	→
10:	10.7x	↙
Series	102.7	
	306.0	



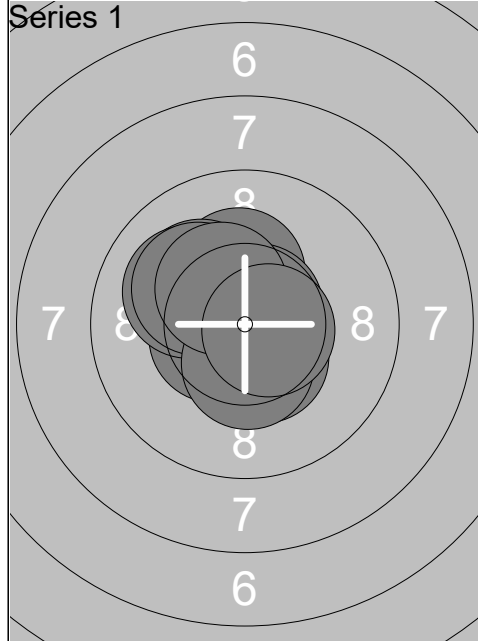
1:	10.2x	↙
2:	10.4x	↘
3:	10.8x	↙
4:	10.1	←
5:	10.0	←
6:	10.2x	↘
7:	10.0	↗
8:	10.6x	↖
9:	10.5x	↘
10:	10.6x	→
Series	103.4	
	409.4	



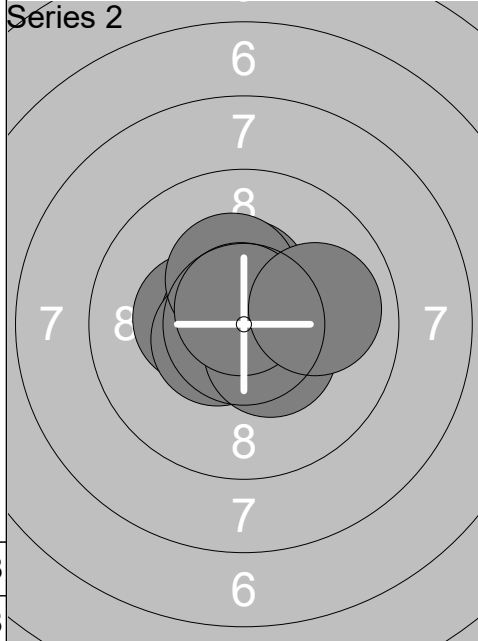
1:	10.2x	→
2:	10.7x	↗
3:	10.3x	↑
4:	10.6x	→
5:	10.6x	↖
6:	9.4	→
7:	10.8x	↘
8:	10.4x	↖
9:	10.7x	↖
10:	10.5x	↖
Series	104.2	
	513.6	



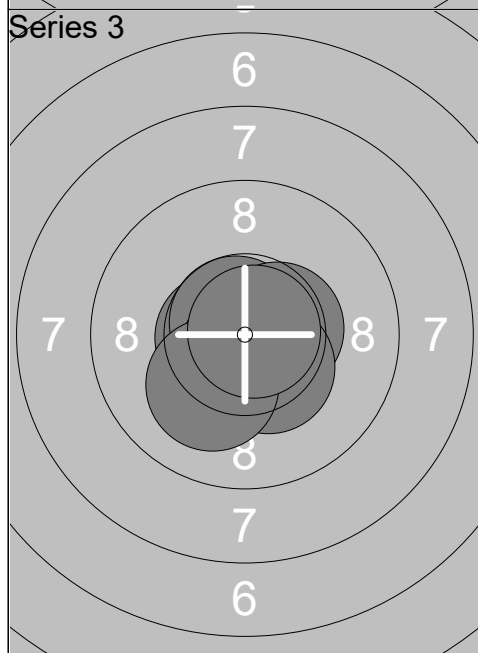
1:	10.2x	↘
2:	10.1	↘
3:	10.6x	↖
4:	10.0	↘
5:	10.3x	↖
6:	10.8x	↘
7:	10.4x	↘
8:	10.4x	↗
9:	10.2x	↙
10:	10.5x	→
Series	103.5	
	617.1	



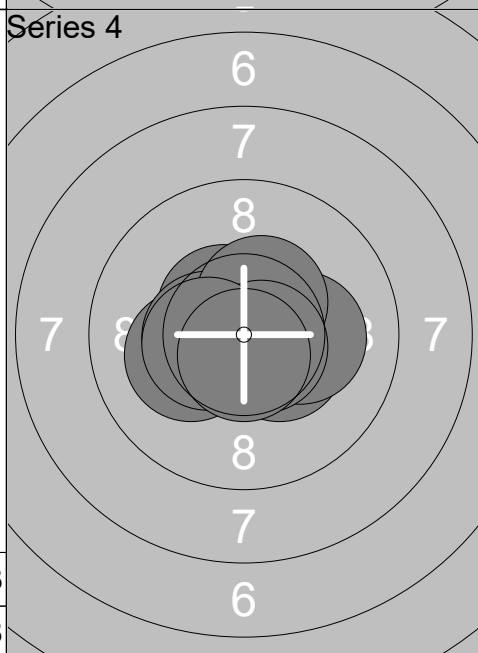
1:	10.4x ↘
2:	10.3x ↑
3:	10.5x ←
4:	10.2x ↗
5:	10.1 ↖
6:	10.2x ↗
7:	10.4x ↓
8:	10.7x ↗
9:	10.4x ↖
10:	10.6x →
Series	103.8
	103.8



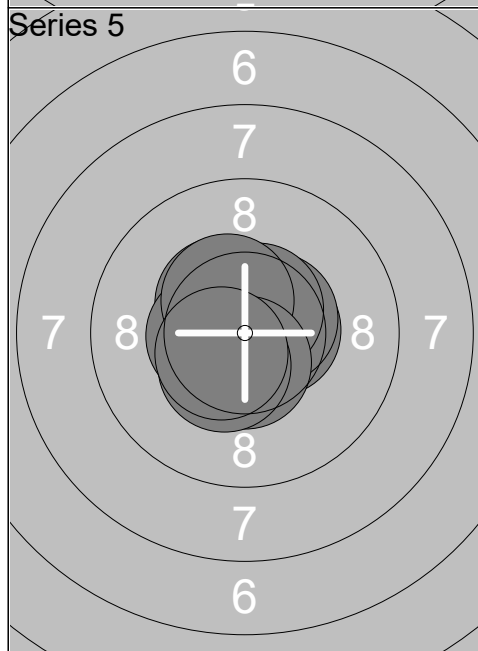
1:	10.4x ←
2:	10.7x ←
3:	10.5x ↑
4:	10.4x ↑
5:	10.5x ←
6:	10.7x ↑
7:	10.3x ↑
8:	10.5x ↘
9:	10.7x ↑
10:	10.0 →
Series	104.7
	208.5



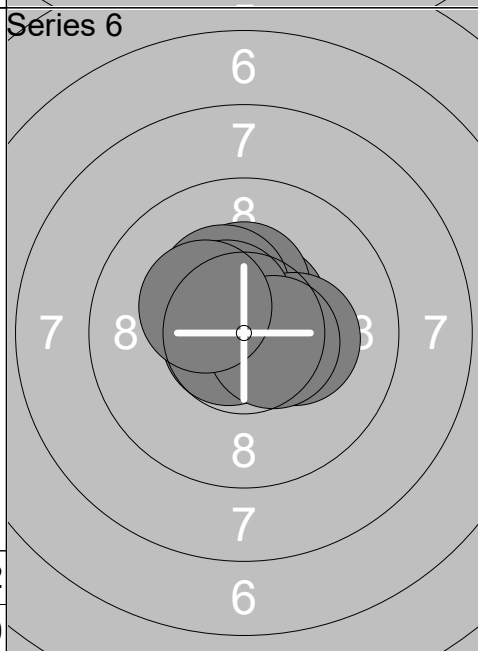
1:	10.8x →
2:	10.7x ↓
3:	10.9x ↘
4:	10.6x ←
5:	10.8x ↖
6:	10.5x →
7:	10.7x ↓
8:	10.4x ↘
9:	10.1 ↓
10:	10.8x →
Series	106.3
	314.8



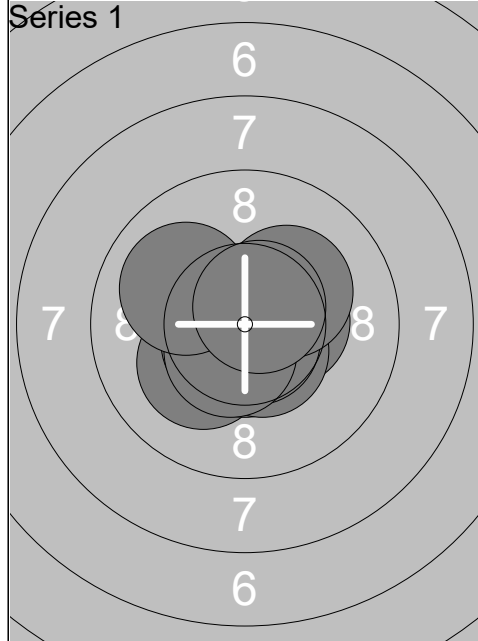
1:	10.4x →
2:	10.8x ↘
3:	10.5x ↖
4:	10.2x ←
5:	10.5x ←
6:	10.2x →
7:	10.5x ↑
8:	10.7x ↘
9:	10.5x ←
10:	10.7x ↓
Series	105.0
	419.8



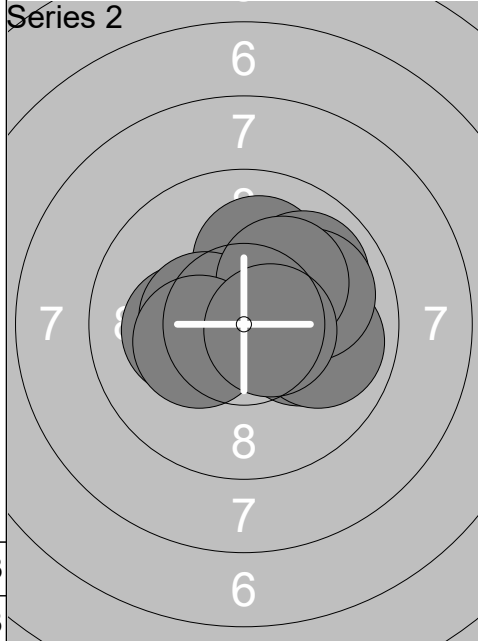
1:	10.5x ↖
2:	10.5x ↘
3:	10.6x →
4:	10.5x ←
5:	10.6x ↗
6:	10.6x ↗
7:	10.5x ↖
8:	10.5x ↓
9:	10.4x ↘
10:	10.5x ←
Series	105.2
	525.0



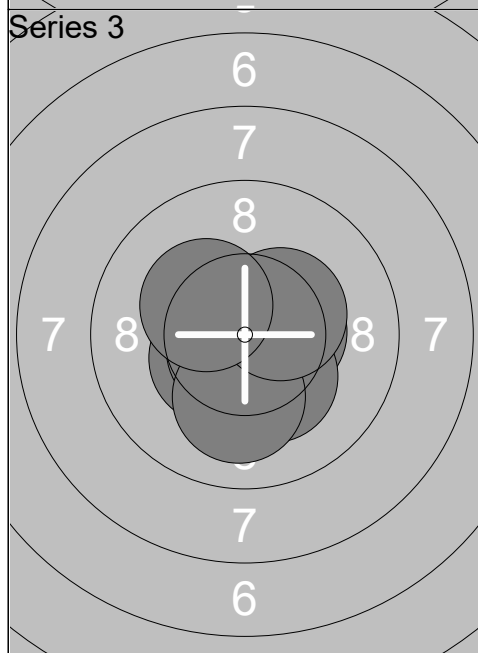
1:	10.4x ↖
2:	10.5x ↖
3:	10.6x ↗
4:	10.4x ↑
5:	10.3x ↖
6:	10.3x →
7:	10.5x ↖
8:	10.7x ←
9:	10.5x →
10:	10.3x ↖
Series	104.5
	629.5



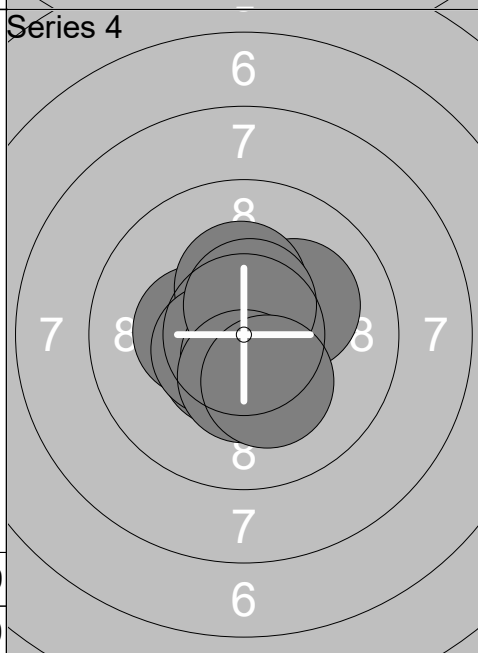
1:	10.4x →
2:	10.2x ↙
3:	10.6x ↓
4:	10.5x ↘
5:	10.6x ↙
6:	10.7x ↘
7:	10.5x ↙
8:	10.0 ↖
9:	10.2x ↗
10:	10.6x ↗
Series	104.3
	104.3



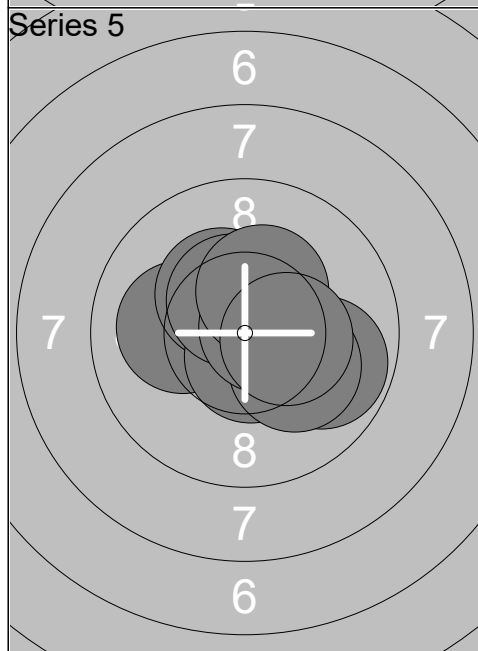
1:	10.1 ↑
2:	9.9 ↗
3:	10.2x ←
4:	10.2x →
5:	9.9 →
6:	10.4x ←
7:	10.0 ↗
8:	10.2x ↗
9:	10.3x ←
10:	10.6x →
Series	101.8
	206.1



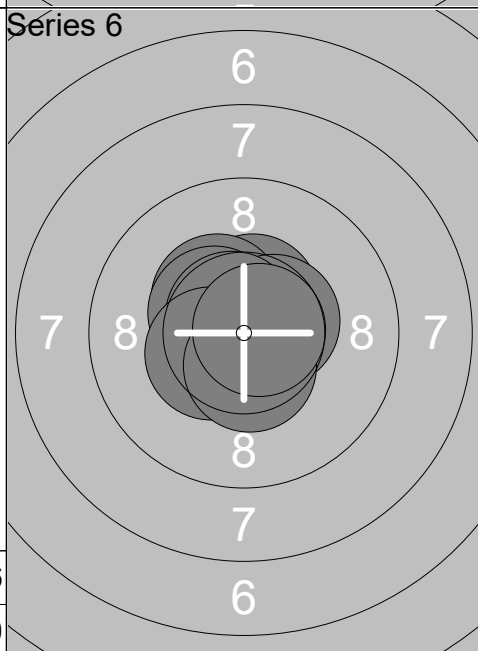
1:	10.9x ↘
2:	10.5x ↓
3:	10.4x ↙
4:	10.8x ↗
5:	10.7x ↙
6:	10.5x →
7:	10.3x ↘
8:	10.1 ↓
9:	10.4x ↗
10:	10.3x ↖
Series	104.9
	311.0



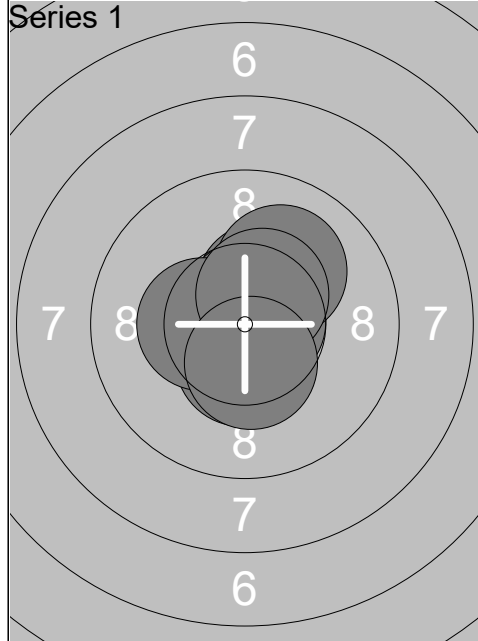
1:	10.5x ↙
2:	10.2x ↗
3:	10.8x ←
4:	10.3x ←
5:	10.3x ↑
6:	10.5x ←
7:	10.6x ↓
8:	10.5x ↑
9:	10.4x ↓
10:	10.3x ↘
Series	104.4
	415.4



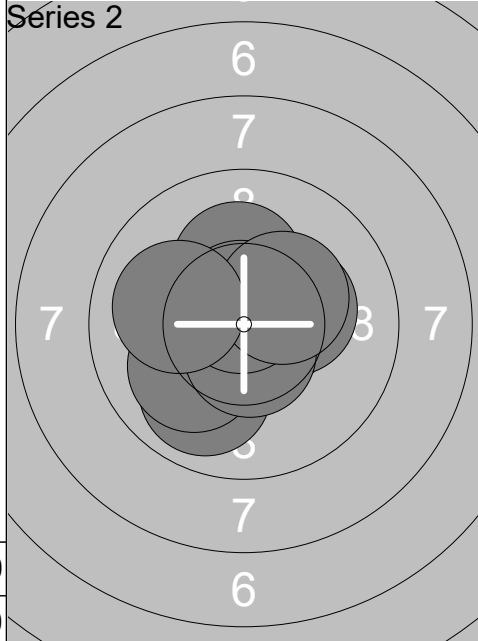
1:	10.1 ←
2:	10.8x ↘
3:	10.3x ↗
4:	10.6x ↓
5:	10.5x ↗
6:	9.8 →
7:	10.1 ↘
8:	10.7x →
9:	10.3x ↗
10:	10.4x →
Series	103.6
	519.0



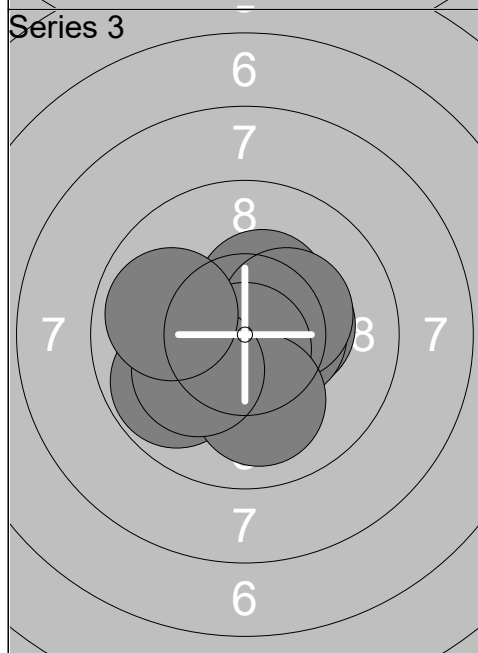
1:	10.7x ←
2:	10.5x ←
3:	10.5x ↑
4:	10.4x ↖
5:	10.5x ↖
6:	10.5x →
7:	10.7x ↖
8:	10.4x ←
9:	10.5x ↓
10:	10.7x →
Series	105.4
	624.4



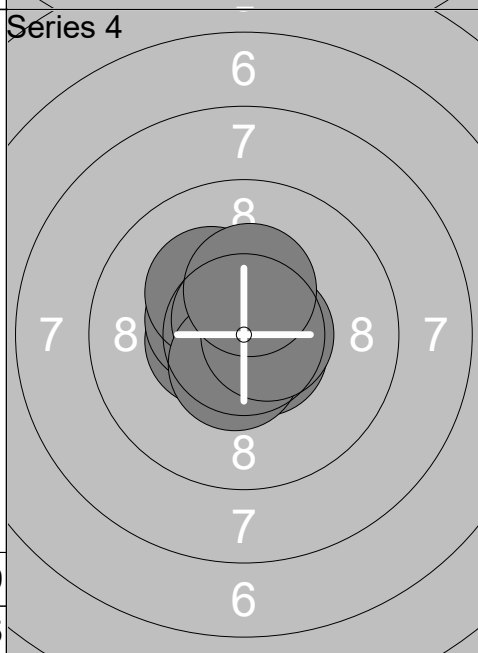
1:	10.4x ↗
2:	10.7x ↑
3:	10.7x →
4:	10.5x ↓
5:	10.8x ↓
6:	10.1 ↗
7:	10.5x ↓
8:	10.4x ←
9:	10.5x ↗
10:	10.4x ↓
Series	105.0
	105.0



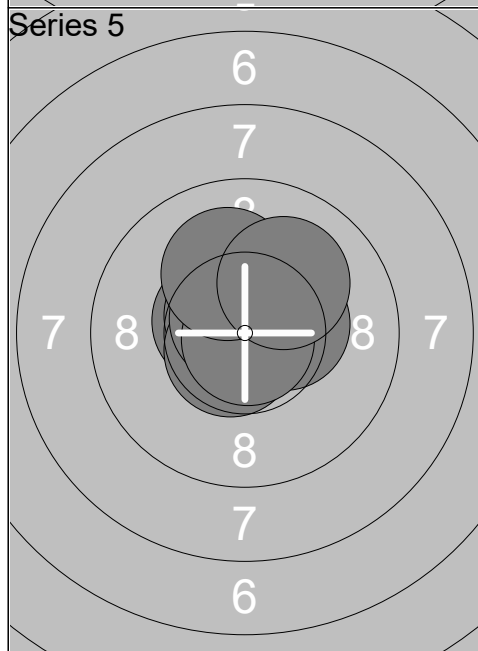
1:	9.9 ↘
2:	10.6x →
3:	10.3x →
4:	10.8x ↓
5:	10.1 ↘
6:	10.6x ↓
7:	10.2x ↑
8:	10.7x ↑
9:	10.3x ↗
10:	10.1 ←
Series	103.6
	208.6



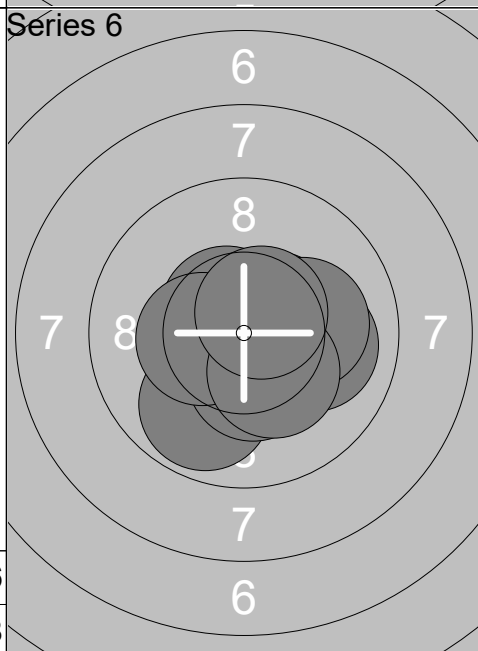
1:	9.8 ↙
2:	10.4x ↗
3:	10.3x →
4:	10.5x →
5:	10.3x ↗
6:	10.6x ↓
7:	10.8x ↓
8:	10.1 ↓
9:	10.2x ↙
10:	9.9 ←
Series	102.9
	311.5



1:	10.5x ←
2:	10.5x ↙
3:	10.2x ↗
4:	10.9x ←
5:	10.7x ↗
6:	10.8x →
7:	10.6x ↓
8:	10.5x ↓
9:	10.6x →
10:	10.4x ↑
Series	105.7
	417.2

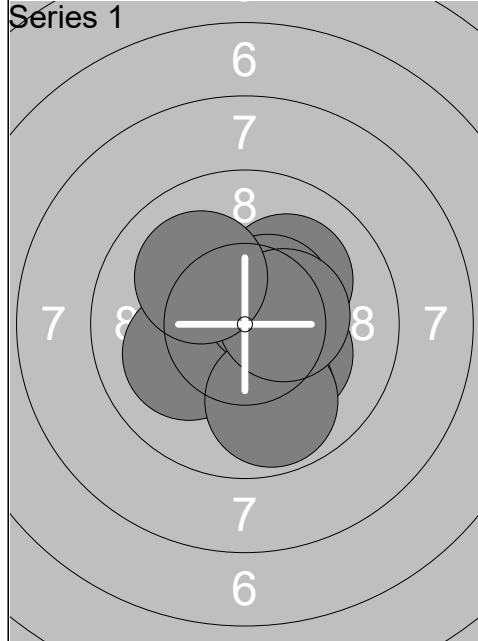


1:	10.6x ↙
2:	10.6x ↗
3:	10.7x ↑
4:	10.8x ↑
5:	10.7x ↘
6:	10.4x →
7:	10.7x ↗
8:	10.9x ↓
9:	10.1 ↑
10:	10.1 ↗
Series	105.6
	522.8

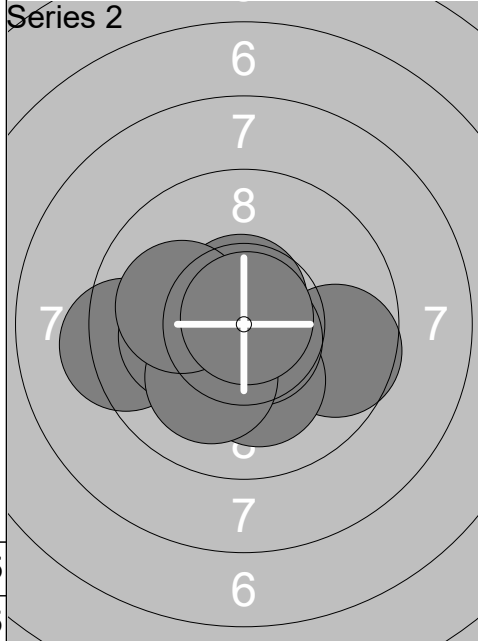


1:	10.5x ↗
2:	10.0 →
3:	10.6x ↗
4:	10.6x ↓
5:	9.9 ↘
6:	10.2x →
7:	10.4x ↓
8:	10.4x ←
9:	10.3x ↓
10:	10.6x ↗
Series	103.5
	626.3

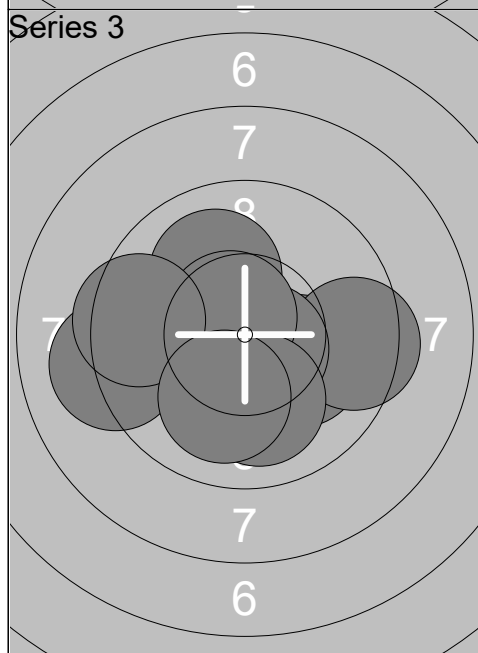
Relay	Lane	Martine Sve		
2	33	NOR	W	R
11.02.2026	Denmark Open Air 2026	Denmark Open Air 2026		
Series 1 	1: 10.7x →	Series 2 	1: 10.4x ↑	
	2: 10.8x ↘		2: 10.8x ↓	
	3: 10.4x ↘		3: 10.9x ↑	
	4: 10.6x ←		4: 10.3x ↑	
	5: 10.7x ↗		5: 9.8 ↖	
	6: 10.5x ↓		6: 10.5x ↗	
	7: 10.4x →		7: 10.4x →	
	8: 10.4x ←		8: 10.3x ↑	
	9: 10.7x ↘		9: 10.3x ←	
	10: 10.1 ↗		10: 10.4x ↑	
	Series 105.3	Series 104.1		
	105.3	209.4		
Series 3 	1: 10.0 ←	Series 4 	1: 10.4x ↑	
	2: 10.2x ↗		2: 10.1 ↖	
	3: 10.2x ↖		3: 10.6x ↓	
	4: 10.1 ←		4: 10.9x ↑	
	5: 10.0 ←		5: 10.4x ↖	
	6: 10.2x →		6: 10.0 ↖	
	7: 10.6x ↑		7: 10.3x ↖	
	8: 9.6 ↗		8: 10.3x ←	
	9: 10.2x ←		9: 10.6x ←	
	10: 10.6x ↓		10: 10.4x ↖	
	Series 101.7	Series 104.0		
	311.1	415.1		
Series 5 	1: 10.1 →	Series 6 	1: 10.6x ↑	
	2: 10.4x ↘		2: 10.7x ↑	
	3: 10.6x ↗		3: 10.7x ←	
	4: 10.6x ↘		4: 10.8x ↖	
	5: 10.8x ↓		5: 10.4x ↖	
	6: 9.7 ↑		6: 10.3x ↖	
	7: 10.2x ↖		7: 10.2x ↗	
	8: 10.1 ↖		8: 10.1 ↖	
	9: 10.7x ↑		9: 10.8x ↓	
	10: 10.3x ↖		10: 10.3x ↖	
	Series 103.5	Series 104.9		
	518.6	623.5		



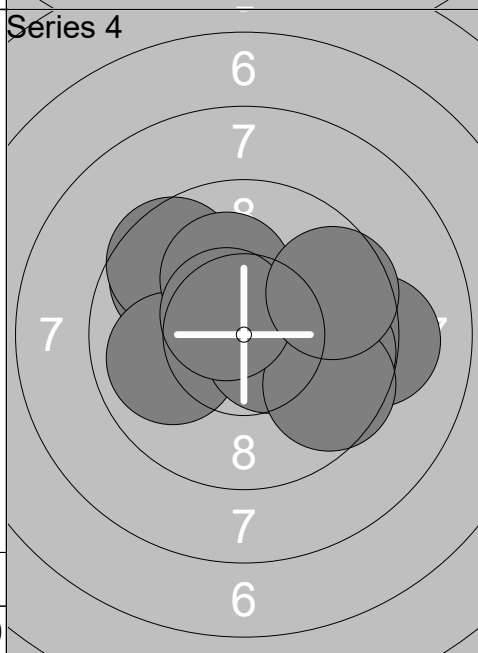
1:	10.2x ↘
2:	10.1 ↗
3:	10.8x ↙
4:	10.5x ↙
5:	10.0 ↓
6:	10.1 ←
7:	10.5x ↗
8:	9.8 ↓
9:	10.4x →
10:	10.1 ↖
Series	102.5
	102.5



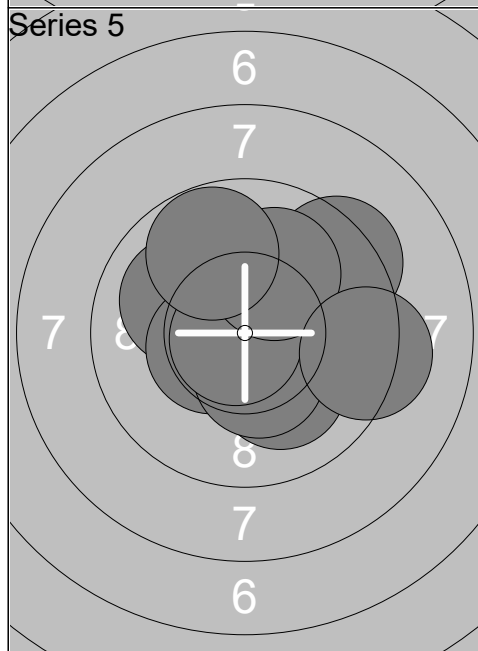
1:	9.7 →
2:	9.3 ←
3:	10.1 ←
4:	10.8x ↙
5:	10.6x ↑
6:	10.1 ↓
7:	10.7x ↘
8:	10.1 ↓
9:	10.1 ←
10:	10.9x ↗
Series	102.4
	204.9



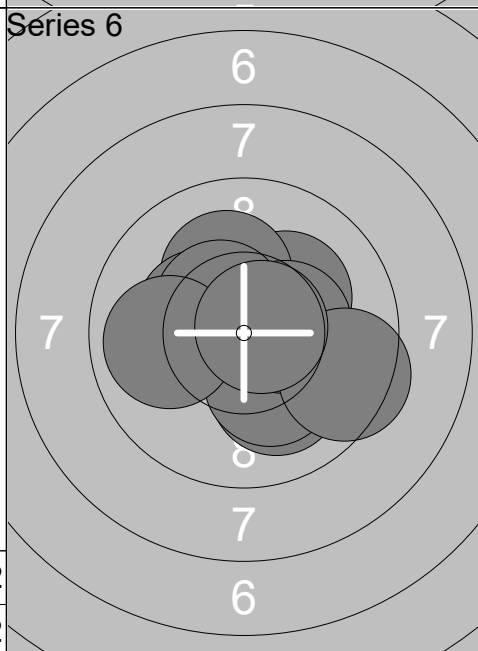
1:	10.1 →
2:	10.1 ↗
3:	10.4x ↘
4:	9.5 →
5:	10.6x ↘
6:	10.6x ↗
7:	9.1 ←
8:	9.5 ←
9:	10.1 ↓
10:	10.1 ↓
Series	100.1
	305.0



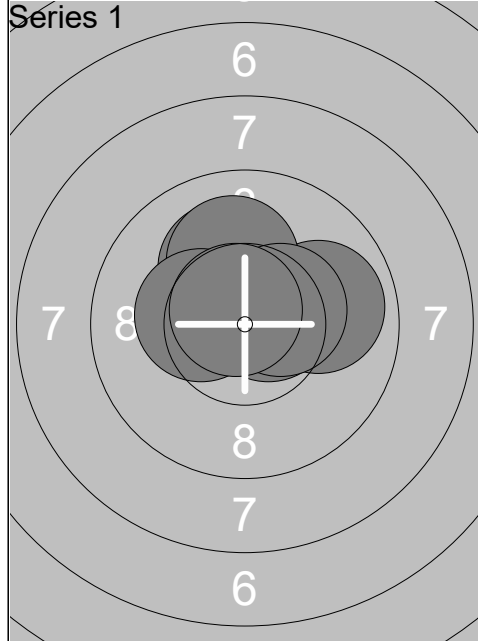
1:	9.8 ↖
2:	9.6 ↗
3:	9.2 →
4:	9.8 →
5:	10.0 ←
6:	10.6x →
7:	10.2x ↑
8:	9.6 ↘
9:	10.6x ↖
10:	9.6 →
Series	99.0
	404.0



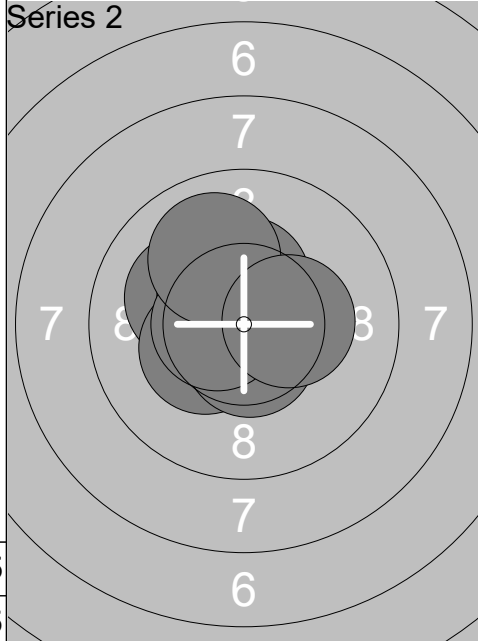
1:	10.1 ←
2:	10.8x ↙
3:	10.1 ↓
4:	10.5x ↙
5:	10.4x ↓
6:	10.8x ↙
7:	9.4 ↗
8:	10.0 ↗
9:	9.8 ↗
10:	9.3 →
Series	101.2
	505.2



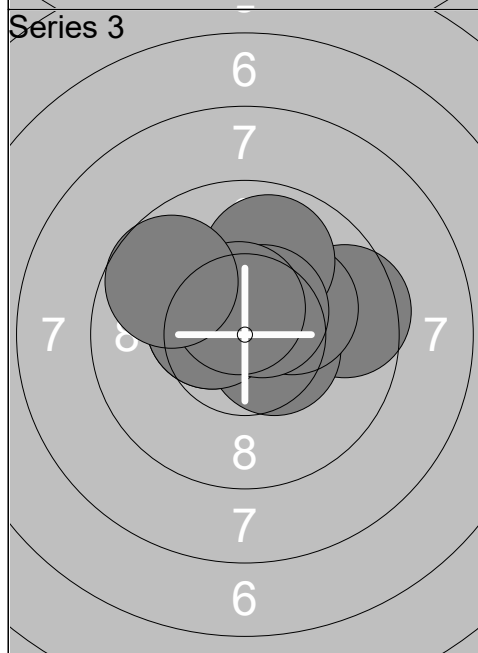
1:	10.2x ↗
2:	10.1 ↑
3:	10.1 ↓
4:	10.2x ↘
5:	10.3x ↙
6:	10.4x →
7:	10.5x ↗
8:	10.0 ←
9:	9.5 →
10:	10.7x →
Series	102.0
	607.2



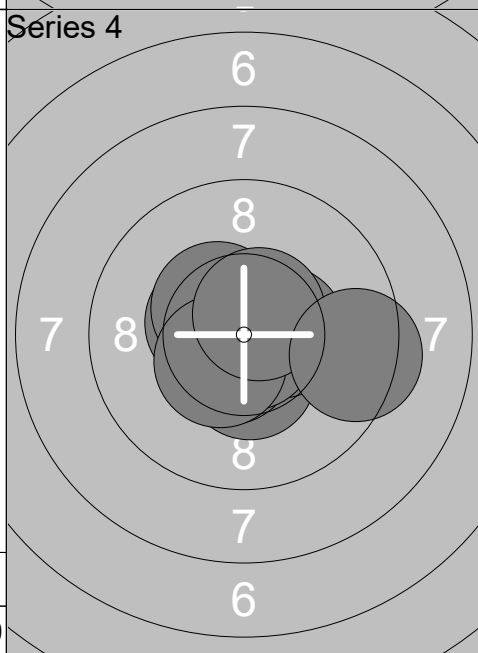
1:	10.1	↑
2:	10.6x	→
3:	10.4x	↑
4:	9.9	→
5:	10.5x	↑
6:	10.5x	↖
7:	10.1	↑
8:	10.4x	→
9:	10.3x	↖
10:	10.7x	↖
Series	103.5	
	103.5	



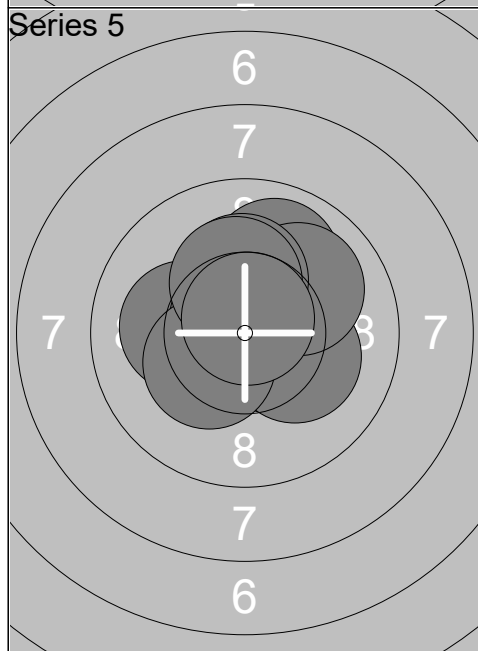
1:	10.8x	↗
2:	10.1	↖
3:	10.6x	↙
4:	10.3x	↙
5:	10.6x	↓
6:	10.4x	↑
7:	10.5x	↖
8:	10.6x	↖
9:	10.0	↖
10:	10.4x	→
Series	104.3	
	207.8	



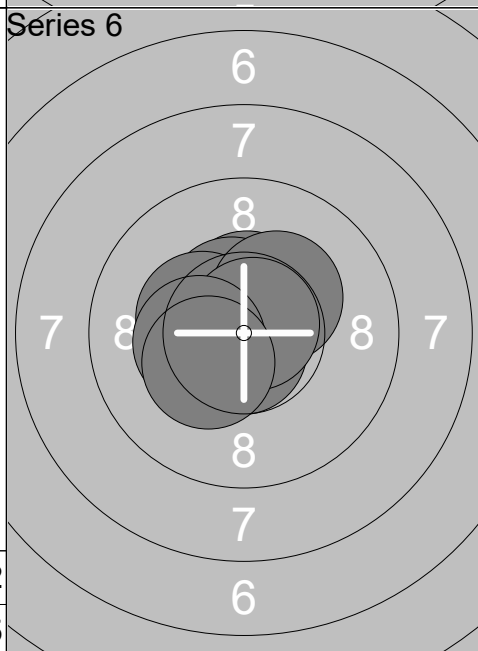
1:	10.1	→
2:	9.5	→
3:	10.5x	↖
4:	10.5x	↗
5:	10.2x	↗
6:	10.5x	↖
7:	9.9	↑
8:	10.6x	↗
9:	10.6x	↑
10:	9.7	↖
Series	102.1	
	309.9	



1:	10.4x	↓
2:	10.7x	↙
3:	10.5x	↖
4:	10.4x	↖
5:	10.6x	↙
6:	10.5x	→
7:	10.8x	↘
8:	10.5x	↙
9:	10.6x	↗
10:	9.4	→
Series	104.4	
	414.3	



1:	10.0	↑
2:	10.5x	↗
3:	10.2x	↖
4:	10.2x	↗
5:	10.7x	↖
6:	10.0	↗
7:	10.2x	↑
8:	10.3x	↙
9:	10.3x	↑
10:	10.8x	↑
Series	103.2	
	517.5	



1:	10.5x	↑
2:	10.8x	↗
3:	10.5x	↖
4:	10.8x	↗
5:	10.4x	↖
6:	10.8x	↓
7:	10.3x	↗
8:	10.8x	↗
9:	10.3x	↖
10:	10.3x	↙
Series	105.5	
	623.0	