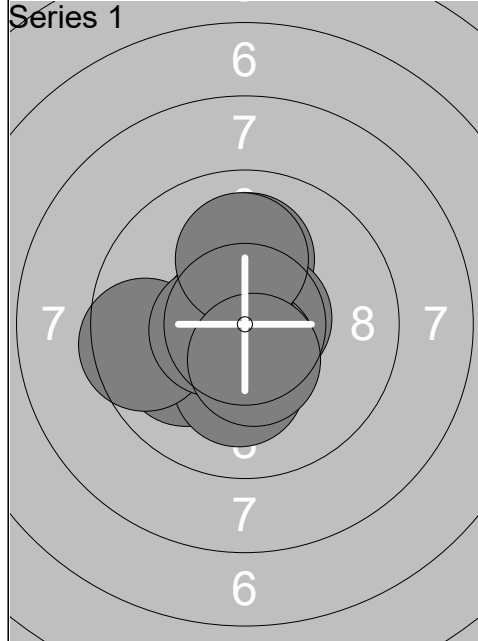
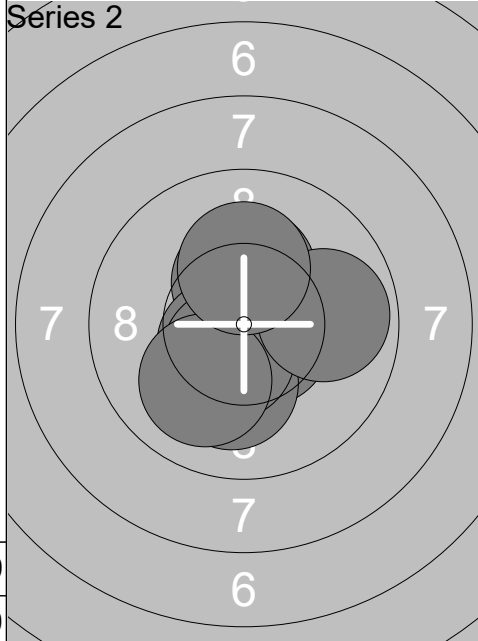


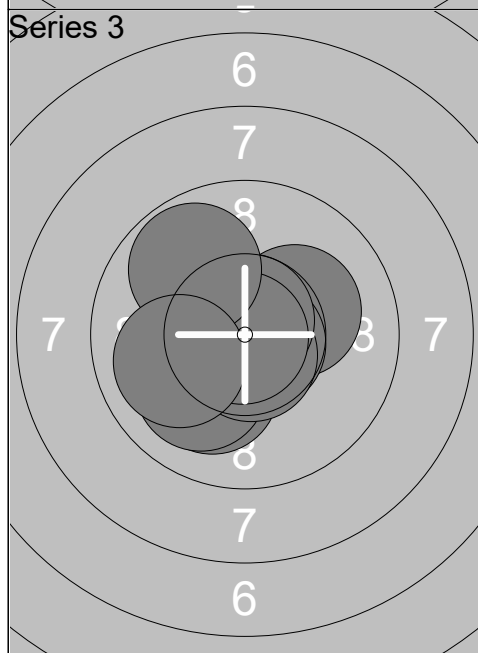
Relay	Lane	Camilla Boel Nielsen		
2	32	DEN	SH2	R
Qual Day 3		Denmark Open Air 2026		Denmark Open Air 2026
11.02.2026				
Series 1 	1: 10.7x ↘	Series 2 	1: 10.8x →	
	2: 10.7x ↓		2: 10.7x ↙	
	3: 10.3x ↘		3: 10.5x ↓	
	4: 10.5x →		4: 10.6x ↗	
	5: 10.2x ↘		5: 10.6x ↓	
	6: 10.4x ↗		6: 10.6x ↖	
	7: 10.5x ↑		7: 10.8x ↗	
	8: 10.7x →		8: 10.6x →	
	9: 10.4x ↑		9: 10.8x →	
	10: 10.4x →		10: 10.7x →	
	Series 104.8	Series 106.7		
	104.8		211.5	
Series 3 	1: 10.7x ↗	Series 4 	1: 10.8x ↘	
	2: 10.4x ↖		2: 10.3x ↙	
	3: 10.2x ↓		3: 10.5x →	
	4: 10.7x ↗		4: 10.5x ↙	
	5: 10.8x ↙		5: 10.8x ↑	
	6: 10.3x →		6: 10.8x ↑	
	7: 10.4x ↙		7: 10.3x ↖	
	8: 10.8x ↙		8: 10.1 ↙	
	9: 10.7x ↑		9: 10.6x ↑	
	10: 10.7x ↖		10: 10.5x →	
	Series 105.7	Series 105.2		
	317.2		422.4	
Series 5 	1: 10.5x →	Series 6 	1: 10.7x ↓	
	2: 10.4x ↗		2: 10.4x ↓	
	3: 10.7x ↗		3: 10.3x ↖	
	4: 10.3x ↘		4: 10.8x ↓	
	5: 10.4x ↗		5: 10.8x ↓	
	6: 10.6x ↗		6: 10.8x →	
	7: 10.3x ↖		7: 10.5x ↙	
	8: 9.8 ↖		8: 10.6x ↙	
	9: 10.6x ↗		9: 10.7x ↖	
	10: 10.5x ↙		10: 10.6x →	
	Series 104.1	Series 106.2		
	526.5		632.7	



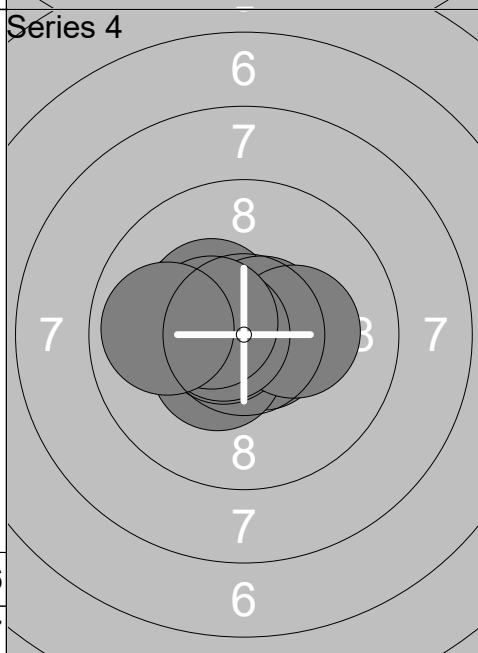
1:	10.1	↑
2:	10.0	↙
3:	10.2x	↓
4:	10.6x	→
5:	10.5x	↓
6:	10.7x	↙
7:	9.6	←
8:	10.6x	↙
9:	10.1	↑
10:	10.5x	↓
Series	102.9	
	102.9	



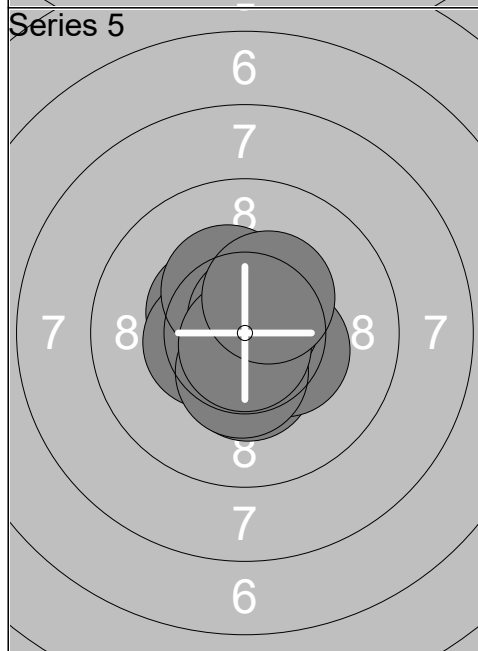
1:	10.6x	↘
2:	10.1	↓
3:	10.3x	↑
4:	10.5x	↑
5:	10.4x	↑
6:	10.6x	↙
7:	10.5x	↓
8:	10.1	↘
9:	9.9	→
10:	10.2x	↑
Series	103.2	
	206.1	



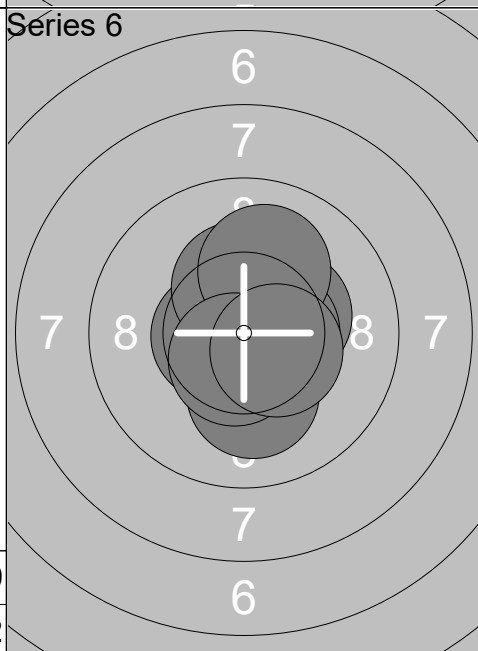
1:	10.2x	→
2:	10.7x	↘
3:	10.4x	↙
4:	10.1	↘
5:	10.1	↘
6:	10.7x	↓
7:	10.7x	↑
8:	10.9x	↙
9:	9.8	↖
10:	10.0	←
Series	103.6	
	309.7	



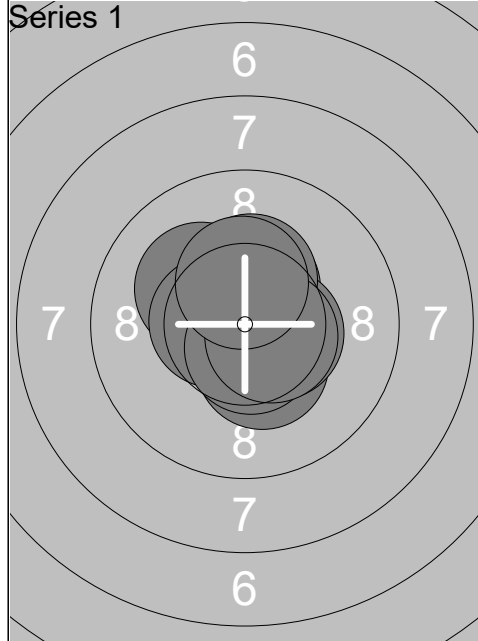
1:	10.7x	↘
2:	10.4x	↙
3:	10.7x	↙
4:	10.3x	↙
5:	10.4x	↖
6:	10.7x	↗
7:	10.3x	→
8:	10.7x	↙
9:	10.5x	↙
10:	9.9	←
Series	104.6	
	414.3	



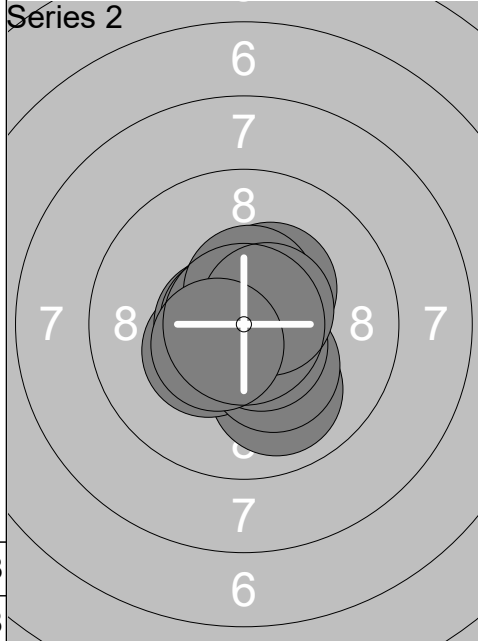
1:	10.4x	↖
2:	10.6x	↙
3:	10.5x	↙
4:	10.3x	↗
5:	10.4x	↓
6:	10.4x	→
7:	10.4x	↓
8:	10.7x	↗
9:	10.8x	↓
10:	10.4x	↗
Series	104.9	
	519.2	



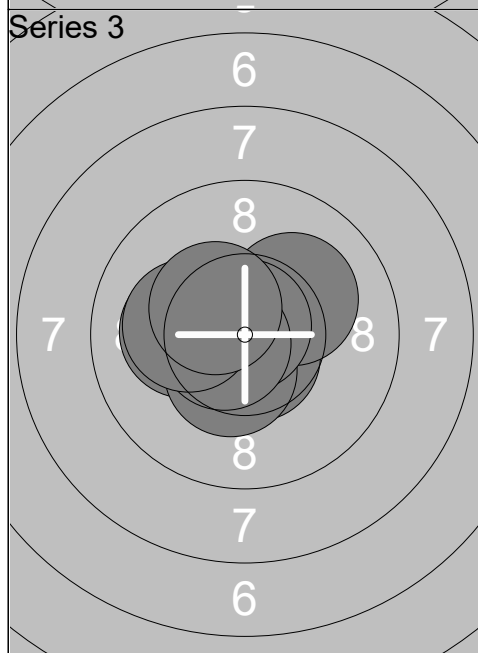
1:	10.6x	↘
2:	10.6x	↓
3:	10.3x	→
4:	10.6x	↙
5:	10.3x	↑
6:	10.5x	→
7:	10.1	↑
8:	10.1	↓
9:	10.6x	↓
10:	10.4x	↘
Series	104.1	
	623.3	



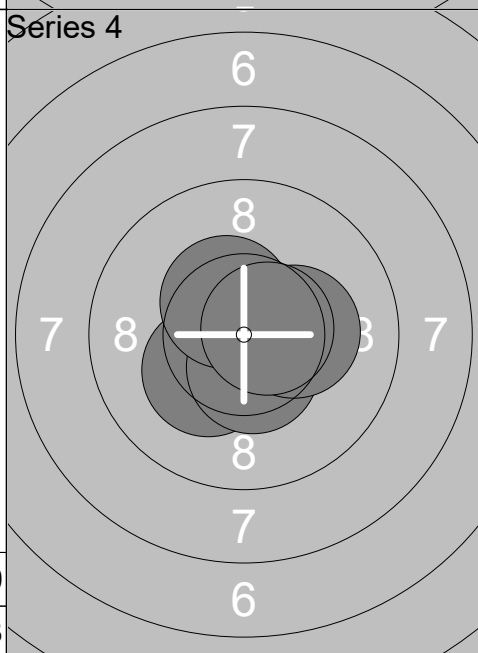
1:	10.4x ↑
2:	10.9x →
3:	10.2x ↖
4:	10.5x ←
5:	10.4x ↓
6:	10.6x ↓
7:	10.5x →
8:	10.3x ↑
9:	10.6x →
10:	10.4x ↑
Series	104.8
	104.8



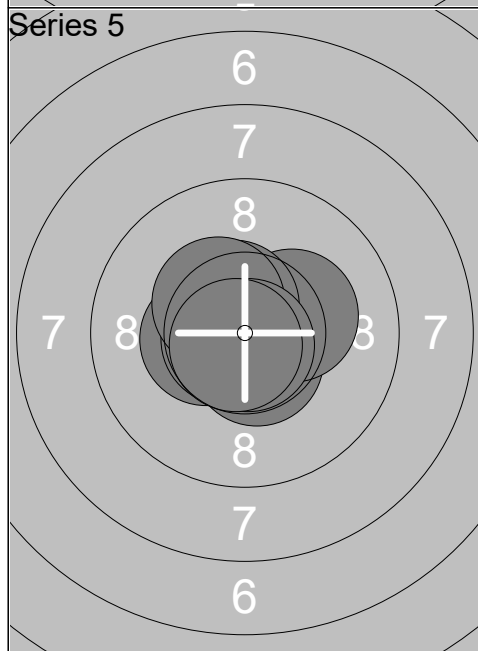
1:	9.9 ↓
2:	10.4x ↙
3:	10.6x ←
4:	10.7x ←
5:	10.3x ↓
6:	10.4x ↗
7:	10.5x ↑
8:	10.6x ↓
9:	10.6x ↗
10:	10.5x ↙
Series	104.5
	209.3



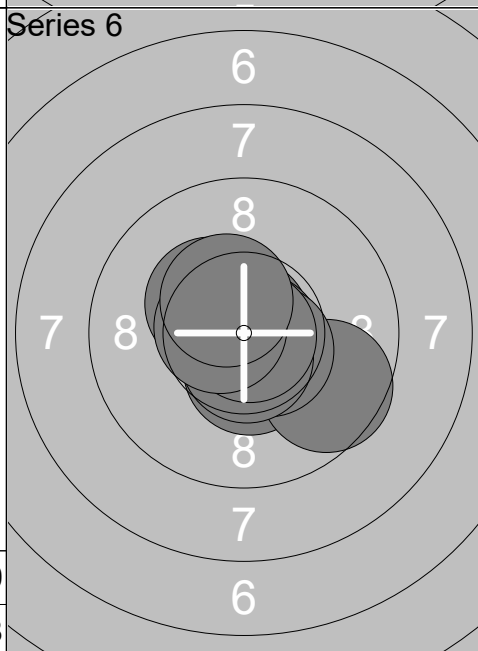
1:	10.9x ↑
2:	10.7x ↓
3:	10.6x ↙
4:	10.2x ←
5:	10.4x ↓
6:	10.1 ↗
7:	10.8x ↑
8:	10.7x ←
9:	10.2x ←
10:	10.4x ↖
Series	105.0
	314.3



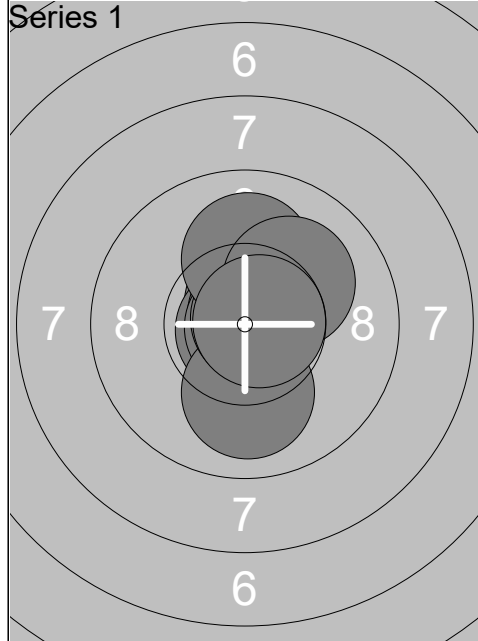
1:	10.8x ←
2:	10.6x ↓
3:	10.7x →
4:	10.3x ↙
5:	10.5x →
6:	10.7x ↓
7:	10.5x ↓
8:	10.5x ↖
9:	10.3x →
10:	10.6x →
Series	105.5
	419.8



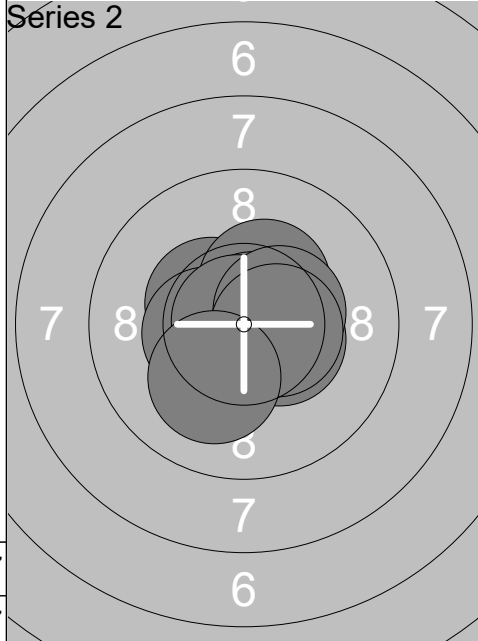
1:	10.5x ↓
2:	10.8x ↑
3:	10.4x ←
4:	10.7x ←
5:	10.8x ↑
6:	10.3x →
7:	10.5x ↗
8:	10.4x ↖
9:	10.8x ↓
10:	10.8x ↙
Series	106.0
	525.8



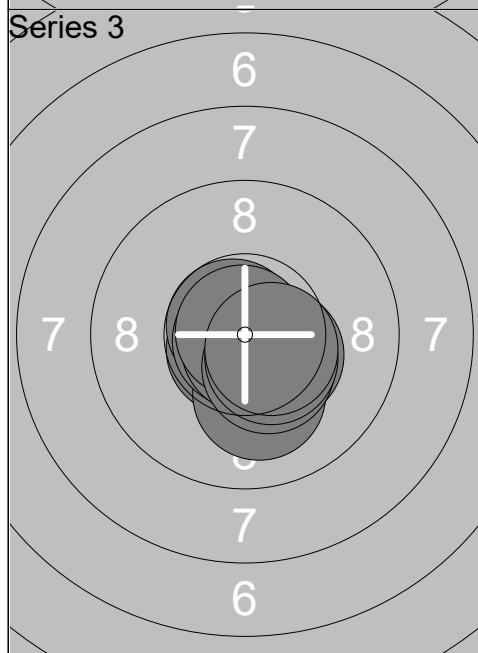
1:	10.4x ↓
2:	9.6 ↘
3:	10.8x ↑
4:	10.8x →
5:	10.6x ↓
6:	10.6x ↓
7:	10.4x ↖
8:	10.9x →
9:	10.6x ←
10:	10.4x ↗
Series	105.1
	630.9



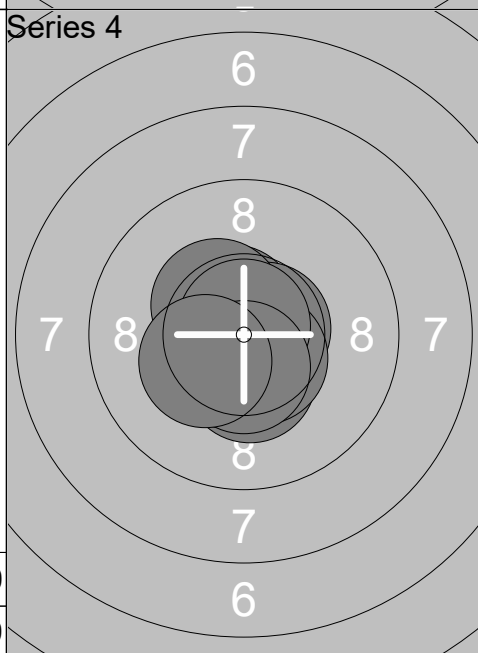
1:	10.7x	↗
2:	10.9x	↘
3:	10.8x	↗
4:	10.9x	→
5:	10.0	↓
6:	10.8x	↗
7:	10.6x	↗
8:	10.1	↑
9:	10.1	↗
10:	10.8x	→
Series	105.7	
	105.7	



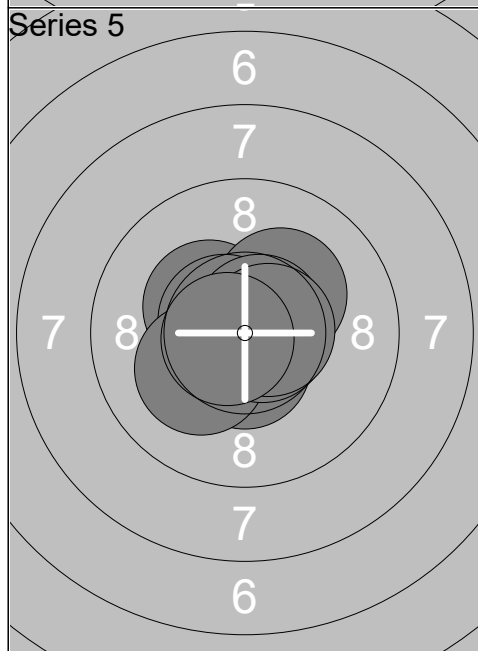
1:	10.4x	↖
2:	10.8x	↘
3:	10.4x	→
4:	10.5x	←
5:	10.4x	↗
6:	10.8x	↗
7:	10.9x	↖
8:	10.4x	→
9:	10.5x	→
10:	10.1	↘
Series	105.2	
	210.9	



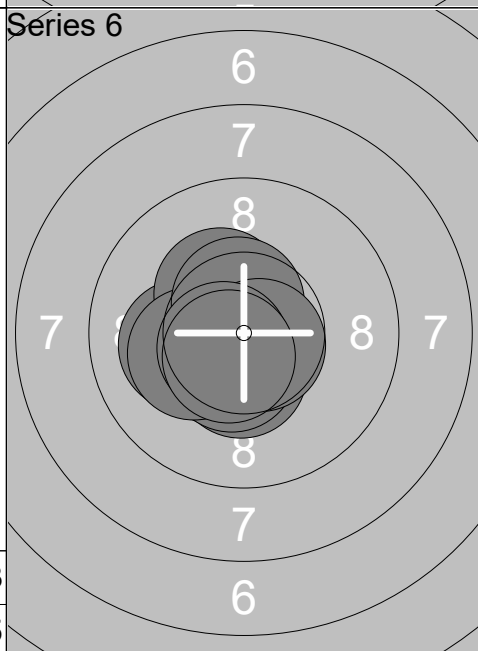
1:	10.7x	↘
2:	10.8x	↖
3:	10.1	↓
4:	10.8x	↘
5:	10.8x	↘
6:	10.9x	↖
7:	10.4x	→
8:	10.4x	↘
9:	10.5x	↘
10:	10.6x	→
Series	106.0	
	316.9	



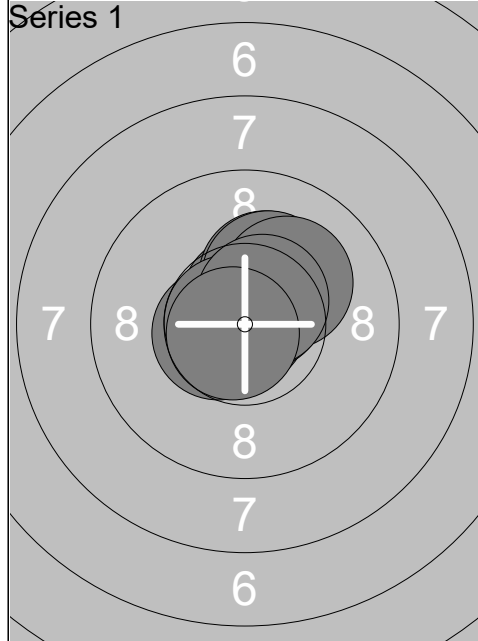
1:	10.4x	↓
2:	10.6x	↖
3:	10.6x	↓
4:	10.5x	↘
5:	10.7x	→
6:	10.5x	↘
7:	10.4x	↖
8:	10.8x	↑
9:	10.5x	↓
10:	10.3x	↙
Series	105.3	
	422.2	



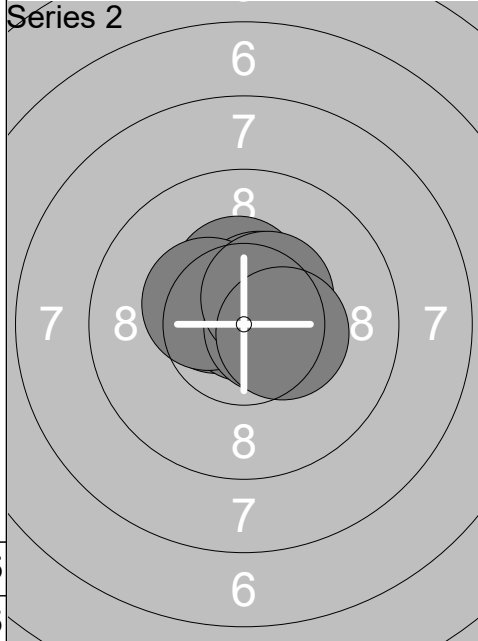
1:	10.3x	↖
2:	10.8x	←
3:	10.2x	↗
4:	10.6x	↖
5:	10.5x	↓
6:	10.7x	↗
7:	10.2x	↙
8:	10.7x	→
9:	10.6x	→
10:	10.7x	←
Series	105.3	
	527.5	



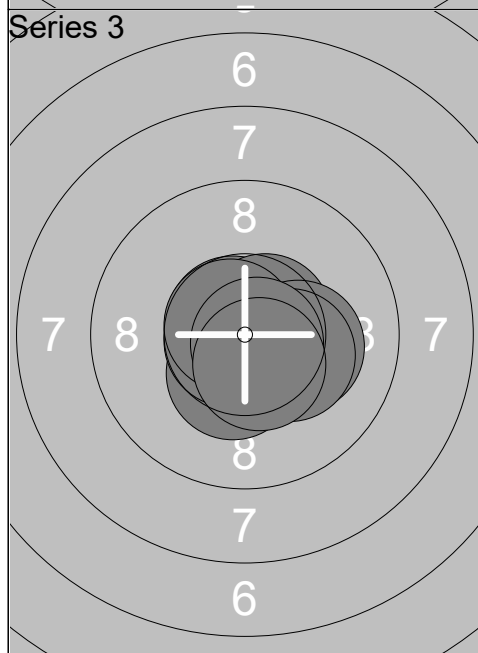
1:	10.5x	↙
2:	10.1	←
3:	10.4x	↓
4:	10.5x	↘
5:	10.4x	↖
6:	10.2x	←
7:	10.5x	↑
8:	10.7x	→
9:	10.6x	↙
10:	10.6x	↘
Series	104.5	
	632.0	



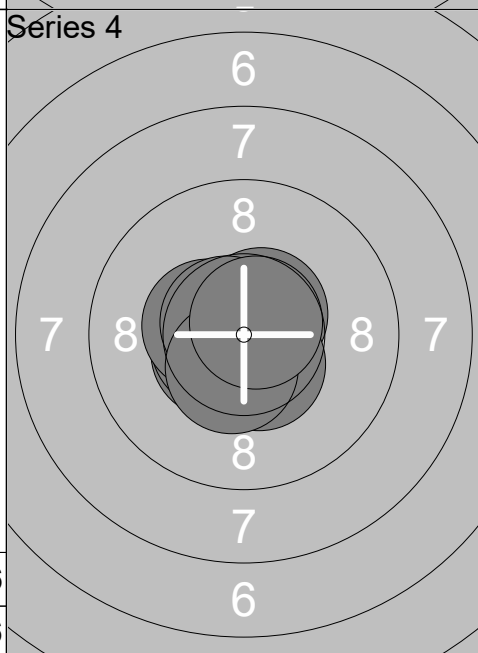
1:	10.6x	↙
2:	10.6x	↑
3:	10.3x	↗
4:	10.9x	↖
5:	10.2x	↗
6:	10.6x	↗
7:	10.2x	↗
8:	10.8x	↙
9:	10.6x	↗
10:	10.7x	↙
Series		105.5
		105.5



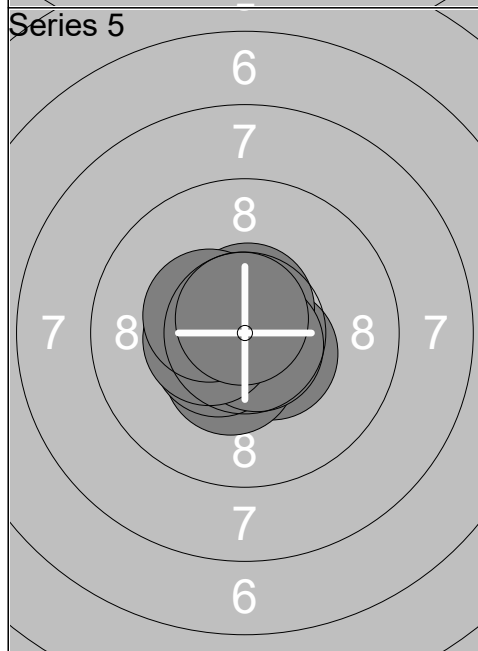
1:	10.7x	↗
2:	10.4x	↑
3:	10.7x	↑
4:	10.5x	↗
5:	10.5x	↖
6:	10.8x	↑
7:	10.4x	↖
8:	10.6x	→
9:	10.5x	↗
10:	10.4x	→
Series		105.5
		211.0



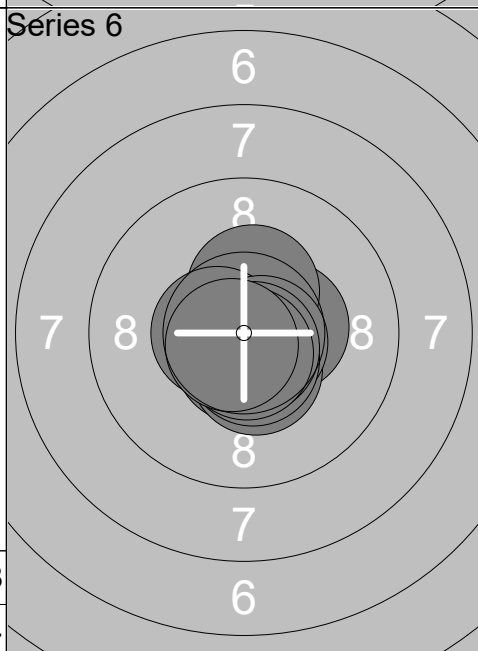
1:	10.4x	↓
2:	10.7x	↖
3:	10.6x	↗
4:	10.7x	↘
5:	10.7x	↙
6:	10.7x	↖
7:	10.2x	→
8:	10.3x	→
9:	10.8x	↘
10:	10.5x	↓
Series		105.6
		316.6



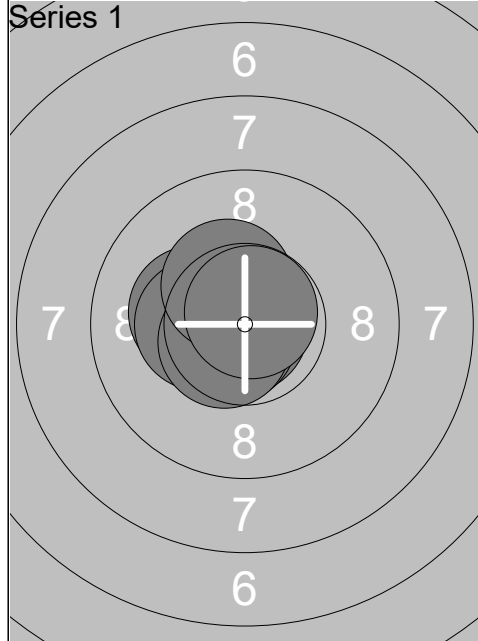
1:	10.7x	↘
2:	10.8x	↘
3:	10.6x	↗
4:	10.5x	↙
5:	10.6x	↙
6:	10.4x	↙
7:	10.7x	↖
8:	10.5x	↓
9:	10.5x	↓
10:	10.7x	↗
Series		106.0
		422.6



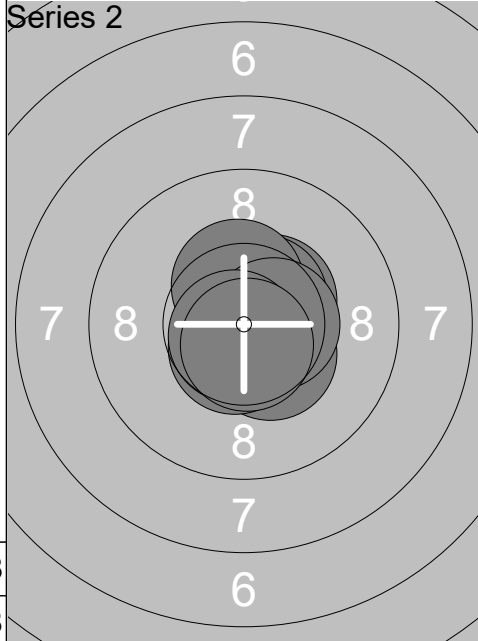
1:	10.5x	↘
2:	10.8x	↓
3:	10.5x	↓
4:	10.6x	↑
5:	10.5x	↙
6:	10.7x	↘
7:	10.5x	↖
8:	10.5x	↙
9:	10.4x	↖
10:	10.8x	↑
Series		105.8
		528.4



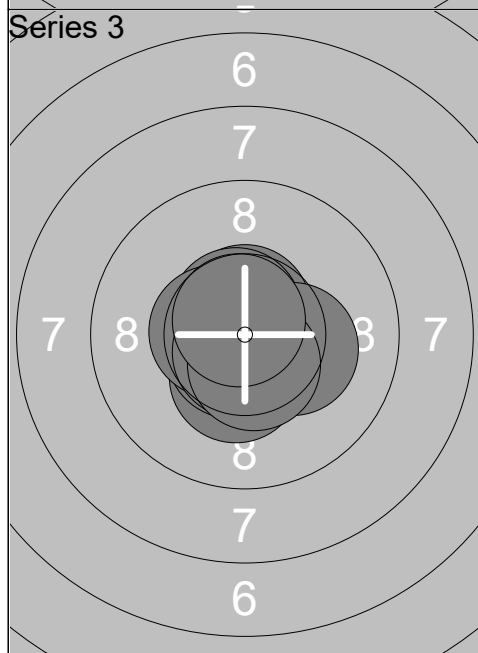
1:	10.6x	↓
2:	10.4x	→
3:	10.5x	↓
4:	10.4x	↑
5:	10.6x	↙
6:	10.7x	→
7:	10.6x	↓
8:	10.7x	↓
9:	10.7x	↓
10:	10.7x	↙
Series		105.9
		634.3



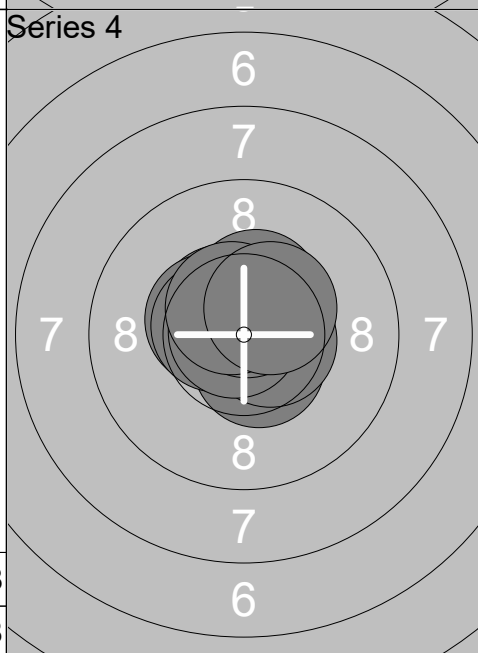
1:	10.7x	←
2:	10.5x	←
3:	10.9x	↙
4:	10.6x	←
5:	10.2x	←
6:	10.7x	↙
7:	10.4x	←
8:	10.6x	↙
9:	10.4x	↖
10:	10.8x	↗
Series		105.8
		105.8



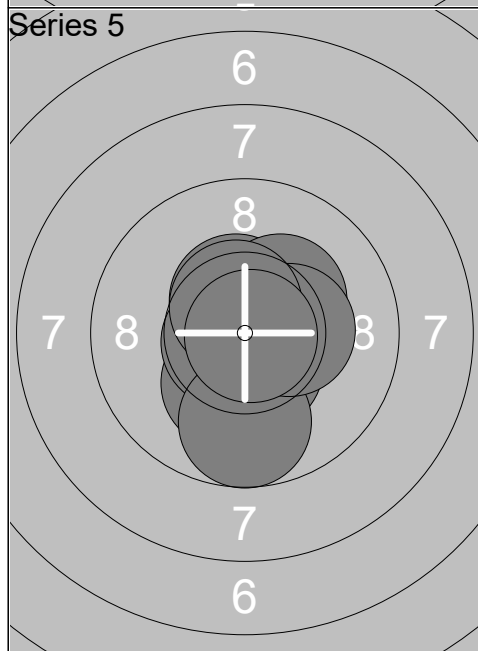
1:	10.8x	↗
2:	10.4x	↘
3:	10.6x	↙
4:	10.8x	↘
5:	10.5x	↗
6:	10.6x	↗
7:	10.4x	↑
8:	10.6x	→
9:	10.8x	↙
10:	10.7x	↘
Series		106.2
		212.0



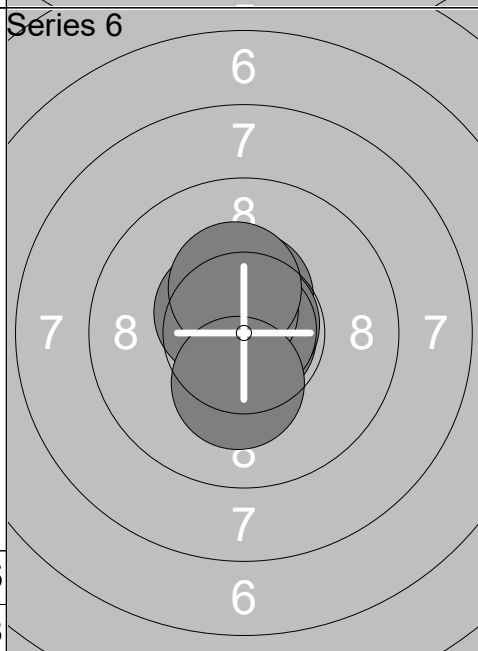
1:	10.6x	↑
2:	10.4x	↘
3:	10.7x	↙
4:	10.6x	↖
5:	10.3x	→
6:	10.8x	↖
7:	10.5x	←
8:	10.7x	↘
9:	10.5x	↘
10:	10.7x	↖
Series		105.8
		317.8



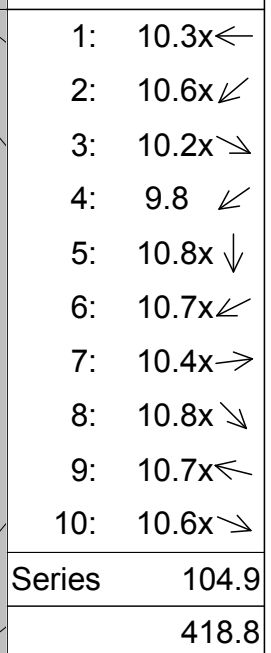
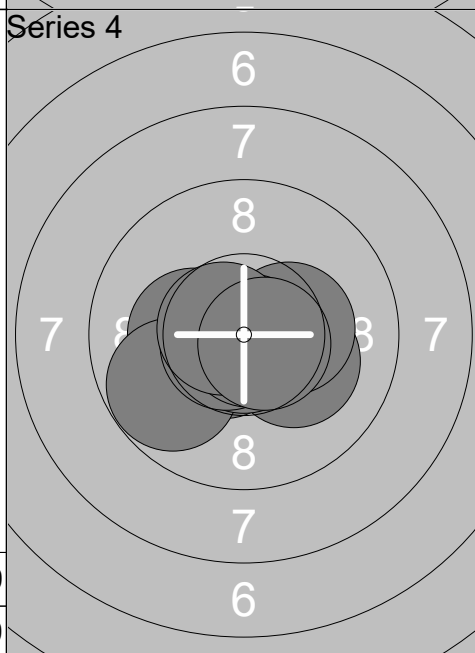
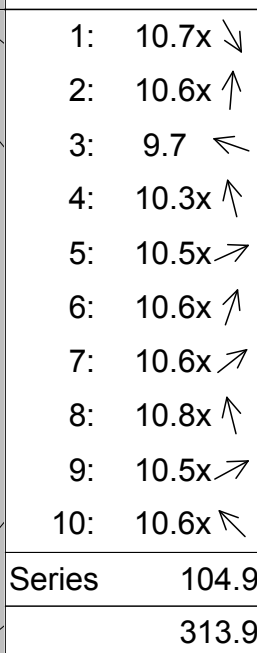
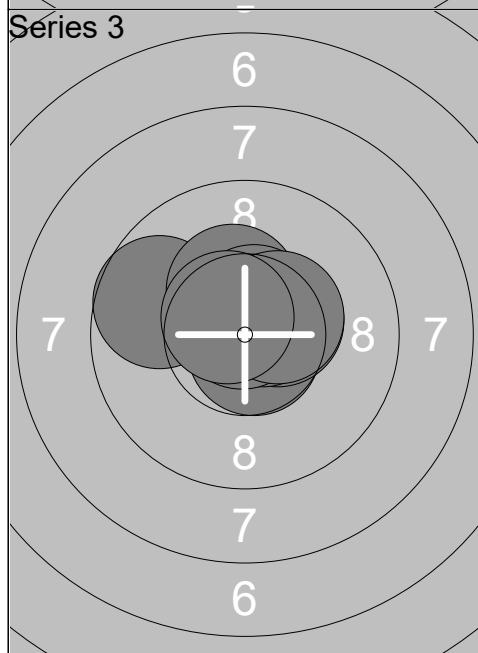
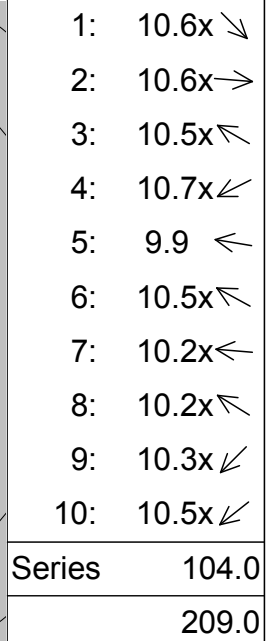
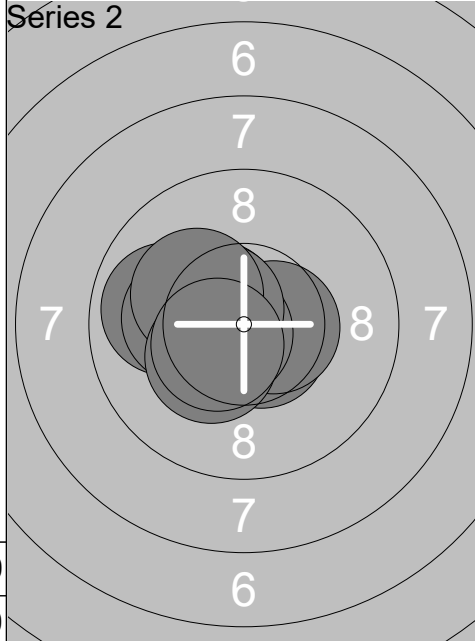
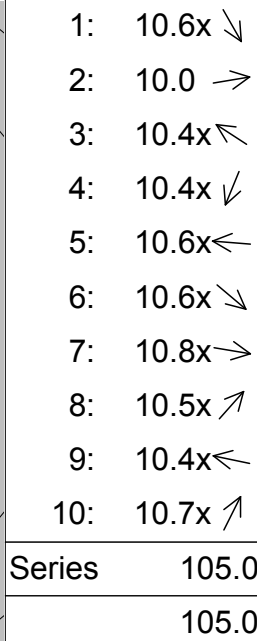
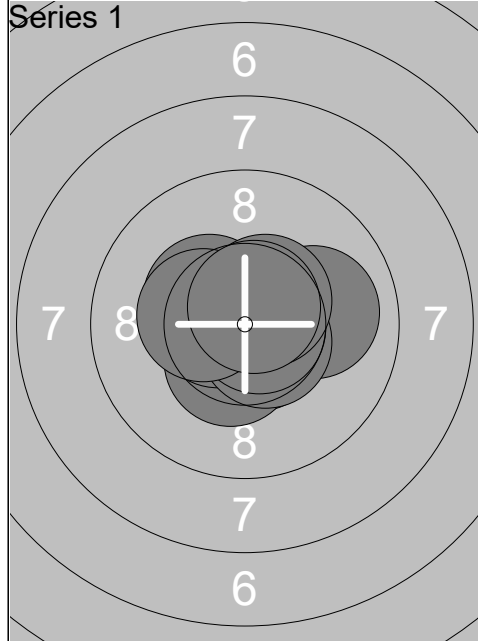
1:	10.5x	↖
2:	10.4x	↑
3:	10.5x	↘
4:	10.5x	↖
5:	10.6x	→
6:	10.6x	←
7:	10.8x	←
8:	10.6x	↑
9:	10.6x	↖
10:	10.4x	↗
Series		105.5
		423.3

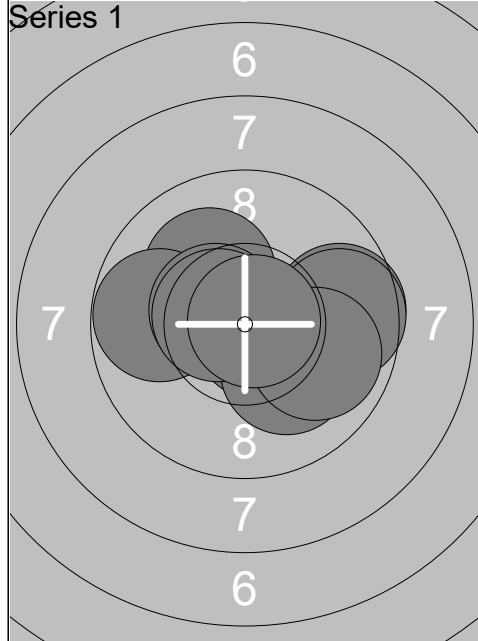


1:	10.5x	↘
2:	10.7x	↑
3:	10.2x	↘
4:	10.5x	↑
5:	10.3x	↗
6:	10.7x	↙
7:	9.8	↓
8:	10.3x	→
9:	10.6x	↖
10:	10.9x	↘
Series		104.5
		527.8

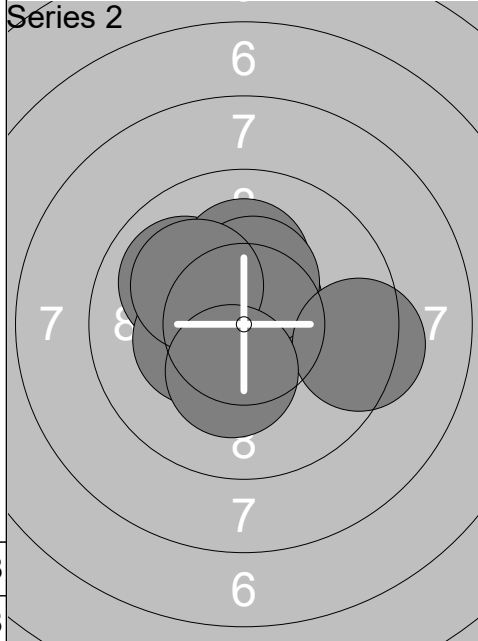


1:	10.5x	↑
2:	10.9x	↘
3:	10.8x	↖
4:	10.9x	↙
5:	10.8x	↗
6:	10.9x	↗
7:	10.6x	↖
8:	10.5x	↖
9:	10.3x	↑
10:	10.3x	↘
Series		106.5
		634.3

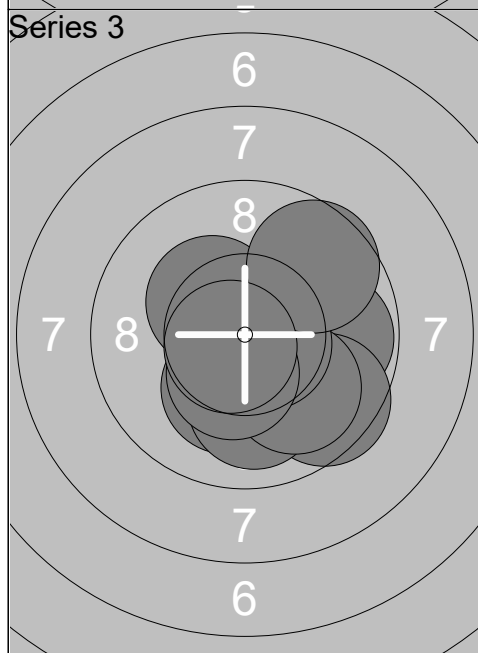




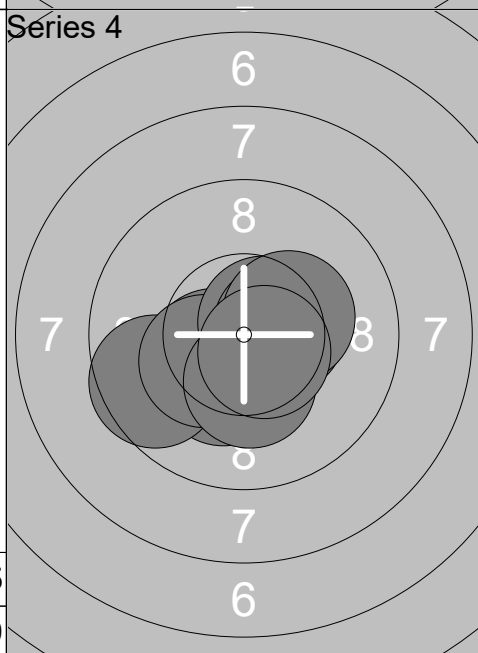
1:	10.7x	↘
2:	10.1	↖
3:	9.6	→
4:	9.7	→
5:	10.1	↘
6:	9.9	→
7:	9.8	←
8:	10.5x	↖
9:	10.6x	↖
10:	10.8x	→
Series	101.8	
	101.8	



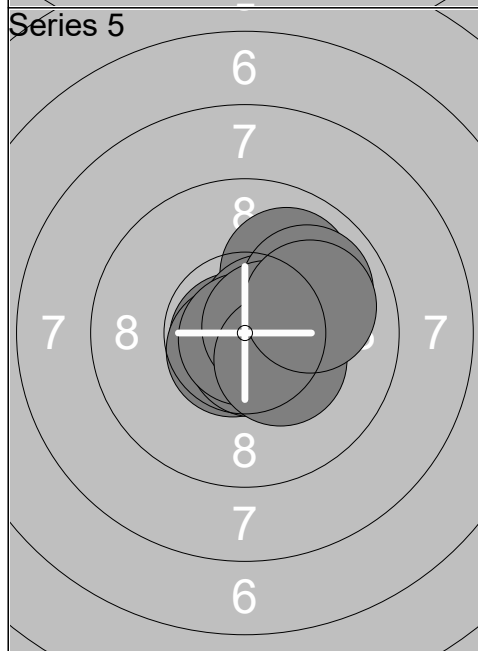
1:	10.6x	↗
2:	10.7x	↗
3:	10.0	↖
4:	10.2x	↑
5:	10.6x	↖
6:	10.3x	←
7:	10.4x	↑
8:	9.4	→
9:	10.1	↖
10:	10.3x	↓
Series	102.6	
	204.4	



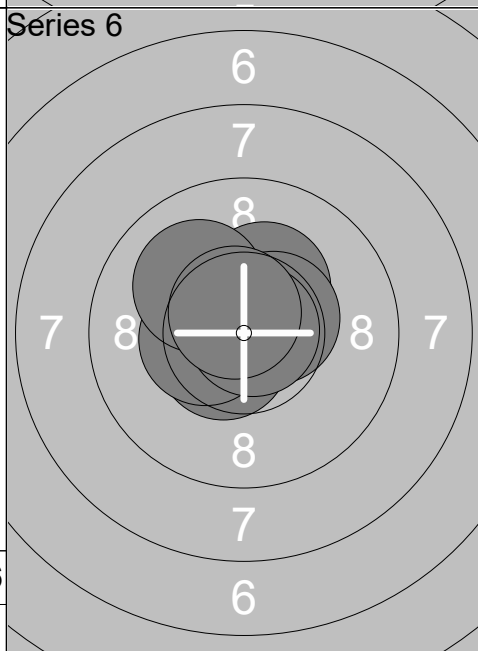
1:	9.8	→
2:	10.2x	↓
3:	9.6	↘
4:	10.4x	↖
5:	10.0	↓
6:	10.0	↘
7:	10.7x	→
8:	10.4x	↓
9:	9.7	↗
10:	10.7x	↖
Series	101.5	
	305.9	



1:	10.5x	↖
2:	10.3x	↓
3:	10.5x	↓
4:	9.6	←
5:	10.3x	↖
6:	10.3x	↓
7:	10.7x	↗
8:	10.5x	→
9:	10.3x	→
10:	10.6x	↘
Series	103.6	
	409.5	

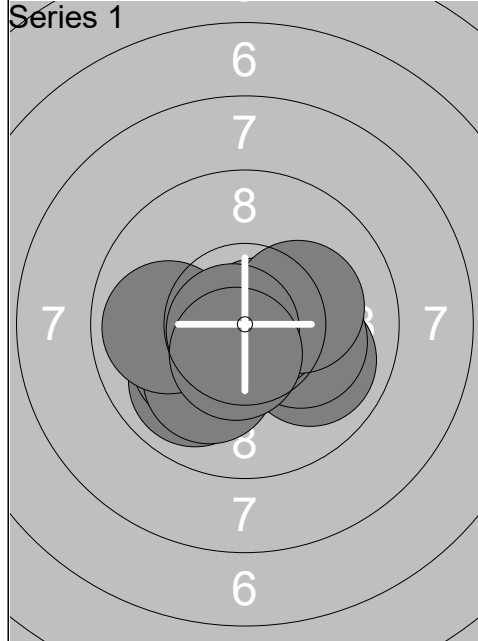


1:	10.8x	↖
2:	10.0	↗
3:	10.6x	↗
4:	10.0	↗
5:	10.7x	↘
6:	10.7x	↘
7:	10.9x	↓
8:	10.6x	→
9:	10.3x	↘
10:	10.0	→
Series	104.6	
	514.1	

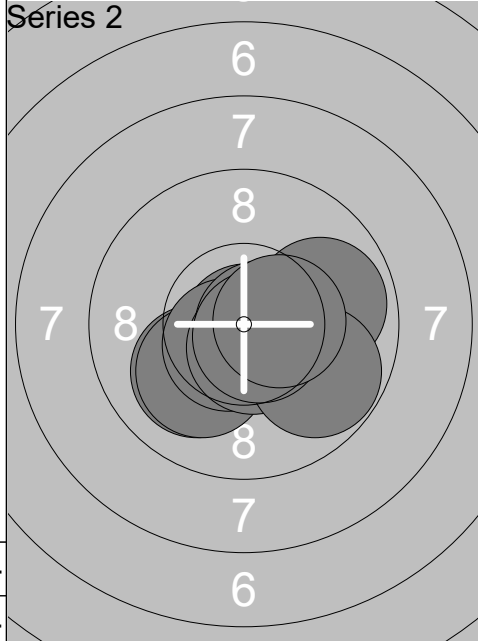


1:	10.5x	↗
2:	10.5x	↖
3:	10.3x	↗
4:	10.6x	↖
5:	10.7x	↖
6:	10.4x	←
7:	10.5x	↗
8:	10.8x	→
9:	10.1	↖
10:	10.7x	↖
Series	105.1	
	619.2	

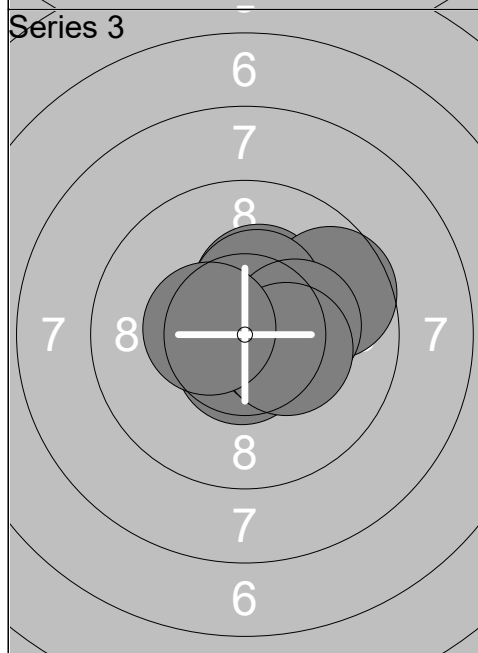
Relay	Lane	Marcus Sommer		
2	40	DEN	SH2	R
Qual Day 3		Denmark Open Air 2026		Denmark Open Air 2026
11.02.2026		Denmark Open Air 2026		Denmark Open Air 2026
Series 1 	1: 10.7x ↖	Series 2 	1: 10.0 ↗	
	2: 10.7x →		2: 10.3x →	
	3: 10.3x ↓		3: 10.7x ↘	
	4: 10.4x →		4: 10.7x ↓	
	5: 9.9 ↗		5: 10.2x ↖	
	6: 10.3x →		6: 9.9 ←	
	7: 9.9 ←		7: 9.9 ↙	
	8: 10.4x →		8: 10.2x →	
	9: 10.8x ↑		9: 10.6x ↓	
	10: 10.5x ↓		10: 10.1 ↙	
	Series 103.9		Series 102.6	
	103.9		206.5	
Series 3 	1: 8.8 ←	Series 4 	1: 9.9 ↘	
	2: 8.8 ←		2: 10.7x ↑	
	3: 9.4 →		3: 10.5x ↙	
	4: 10.6x →		4: 10.1 ↓	
	5: 9.8 →		5: 10.4x ↑	
	6: 10.8x ←		6: 9.9 ↖	
	7: 9.7 ↗		7: 9.7 ↙	
	8: 10.9x ↑		8: 9.8 ←	
	9: 10.6x ↙		9: 9.8 →	
	10: 10.5x ↙		10: 9.5 ↗	
	Series 99.9		Series 100.3	
	306.4		406.7	
Series 5 	1: 10.3x →	Series 6 	1: 10.4x →	
	2: 10.4x ↓		2: 10.2x ↓	
	3: 10.6x ↙		3: 10.3x ←	
	4: 10.2x →		4: 10.5x ↖	
	5: 9.5 →		5: 10.3x ↓	
	6: 10.4x →		6: 10.1 ↘	
	7: 10.4x ↓		7: 10.8x ↘	
	8: 10.0 →		8: 9.9 ↘	
	9: 10.2x →		9: 10.7x →	
	10: 10.2x ↘		10: 10.5x ←	
	Series 102.2		Series 103.7	
	508.9		612.6	



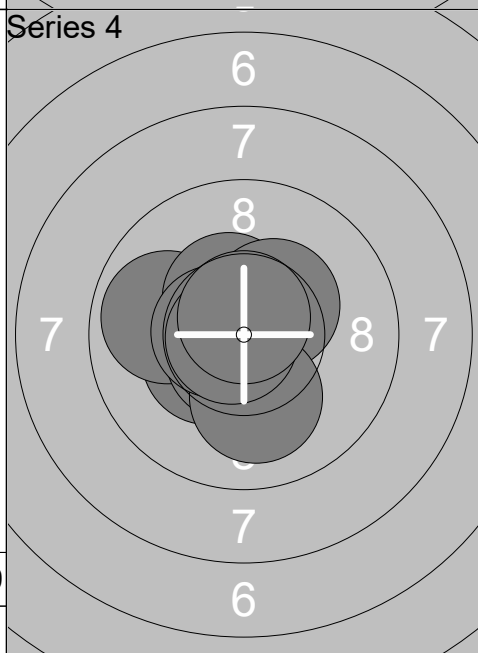
1:	9.9 ↙
2:	10.0 ➡
3:	10.1 ↙
4:	10.1 ➡
5:	10.1 ↙
6:	10.8x ➡
7:	10.2x ➡
8:	9.9 ←
9:	10.8x ↙
10:	10.5x ↘
Series	102.4
	102.4



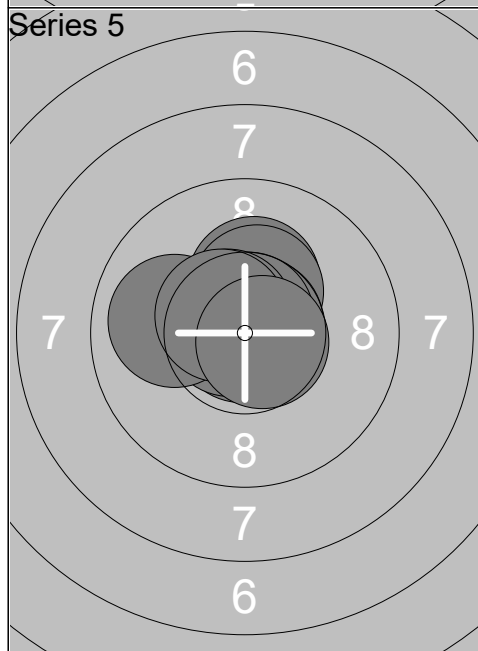
1:	10.9x ↘
2:	9.9 ➡
3:	10.0 ↙
4:	10.1 ↙
5:	10.6x ↘
6:	10.6x ↘
7:	10.7x ➡
8:	9.8 ↘
9:	10.7x ↘
10:	10.5x ➡
Series	103.8
	206.2



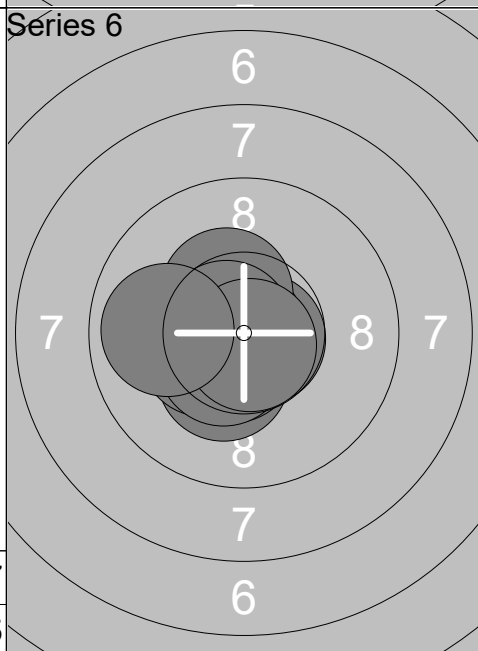
1:	10.8x ↙
2:	10.6x ↘
3:	10.3x ↗
4:	10.5x ➡
5:	9.7 ➡
6:	10.5x ➡
7:	10.4x ↗
8:	10.2x ➡
9:	10.4x ➡
10:	10.5x ↙
Series	103.9
	310.1



1:	10.4x ↙
2:	10.8x ↗
3:	9.9 ←
4:	10.6x ↘
5:	10.4x ↗
6:	10.4x ↗
7:	10.1 ↘
8:	10.6x ↙
9:	10.8x ↙
10:	10.7x ↗
Series	104.7
	414.8



1:	10.2x ↗
2:	10.4x ↗
3:	10.8x ↗
4:	10.8x ↗
5:	10.9x ↘
6:	10.7x ↙
7:	10.0 ←
8:	10.6x ↗
9:	10.6x ↗
10:	10.7x ➡
Series	105.7
	520.5



1:	10.3x ↘
2:	10.8x ➡
3:	10.4x ↙
4:	10.6x ↘
5:	10.9x ↙
6:	10.5x ↘
7:	10.4x ↗
8:	10.7x ↙
9:	10.8x ↘
10:	9.9 ←
Series	105.3
	625.8