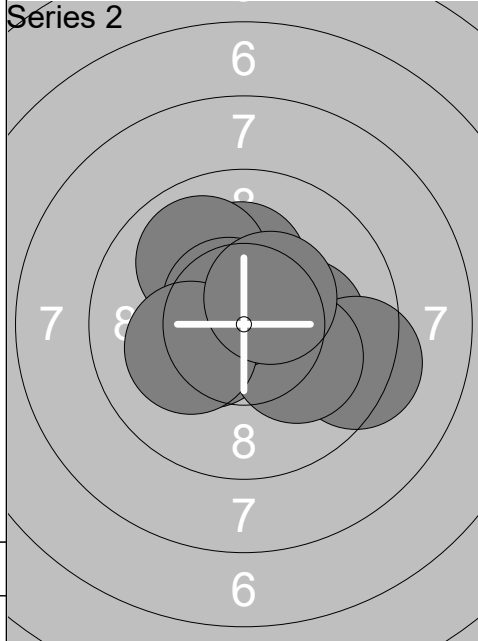
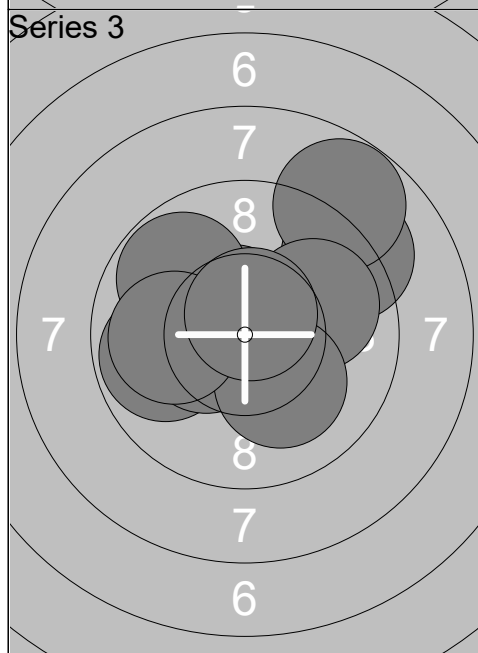


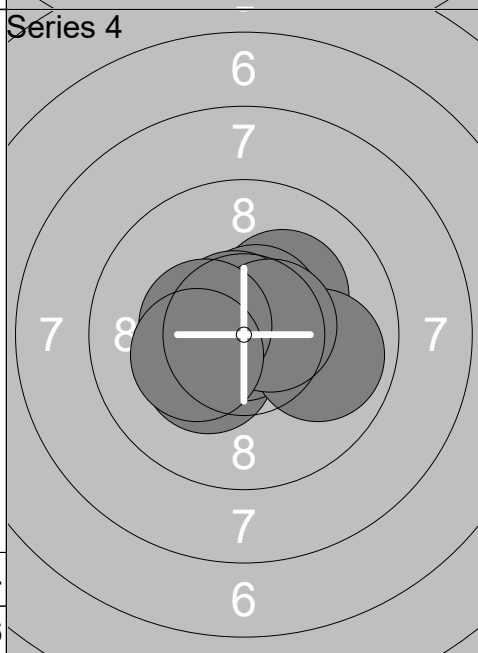
1:	10.1	→
2:	10.3x	←
3:	9.5	↑
4:	10.5x	↗
5:	10.1	↑
6:	9.9	↖
7:	10.4x	↖
8:	10.8x	↑
9:	10.0	↘
10:	9.5	←
<b>Series</b>	<b>101.1</b>	
	<b>101.1</b>	



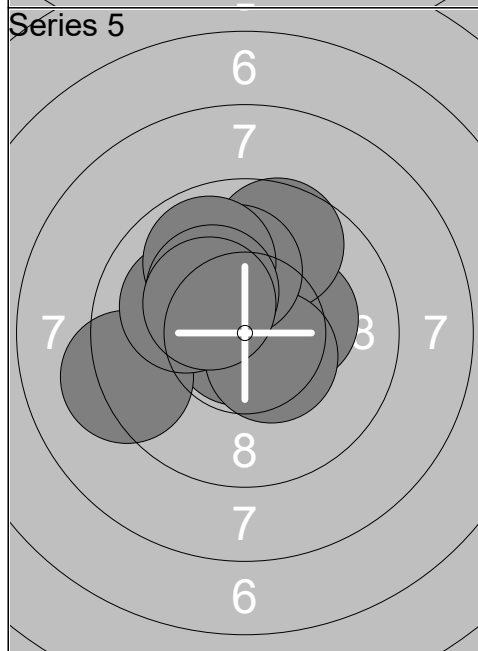
1:	10.2x	↑
2:	10.2x	→
3:	10.4x	↙
4:	10.8x	↑
5:	9.9	↖
6:	9.3	→
7:	10.1	↘
8:	10.6x	↖
9:	10.2x	↙
10:	10.4x	↗
<b>Series</b>	<b>102.1</b>	
	<b>203.2</b>	



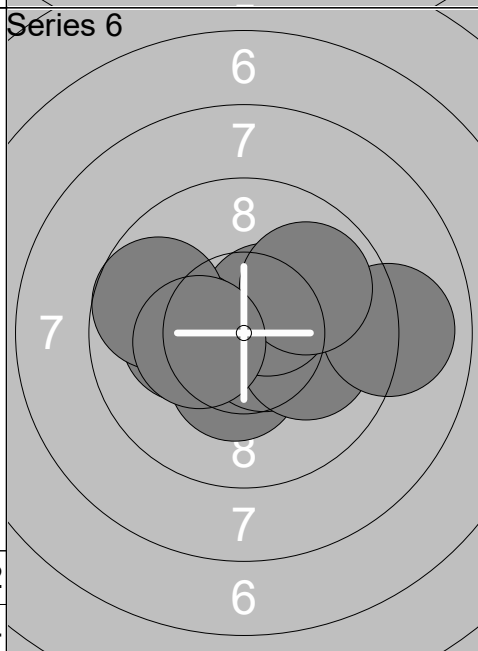
1:	9.9	←
2:	10.6x	↖
3:	9.2	↗
4:	10.4x	←
5:	8.8	↗
6:	9.9	→
7:	10.1	↘
8:	9.8	↖
9:	10.0	←
10:	10.7x	↑
<b>Series</b>	<b>99.4</b>	
	<b>302.6</b>	



1:	10.8x	←
2:	10.2x	↗
3:	10.6x	↑
4:	10.3x	↙
5:	10.9x	←
6:	9.9	→
7:	10.7x	↖
8:	10.6x	→
9:	10.4x	←
10:	10.2x	←
<b>Series</b>	<b>104.6</b>	
	<b>407.2</b>	

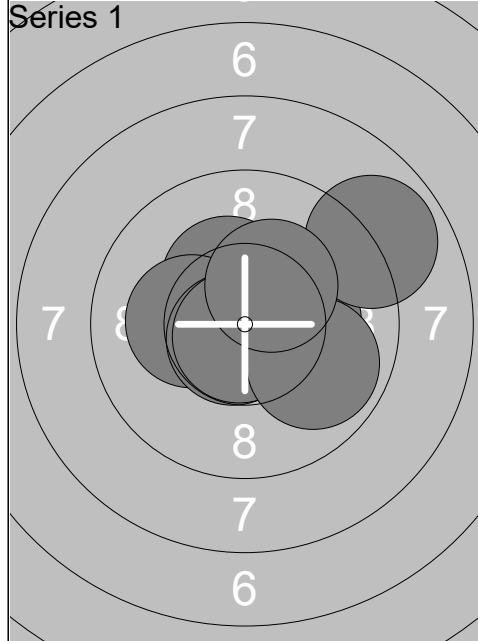


1:	10.8x	↙
2:	10.3x	→
3:	9.7	↑
4:	9.2	←
5:	10.5x	↘
6:	10.1	←
7:	10.1	↑
8:	9.9	↖
9:	10.3x	↖
10:	10.3x	↖
<b>Series</b>	<b>101.2</b>	
	<b>508.4</b>	

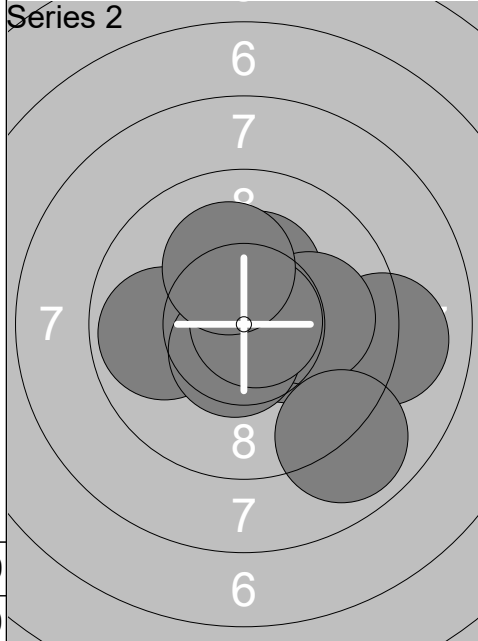


1:	10.4x	↘
2:	10.6x	↘
3:	10.4x	→
4:	10.1	→
5:	10.5x	↗
6:	9.0	→
7:	9.9	↗
8:	10.2x	←
9:	9.7	←
10:	10.3x	←
<b>Series</b>	<b>101.1</b>	
	<b>609.5</b>	

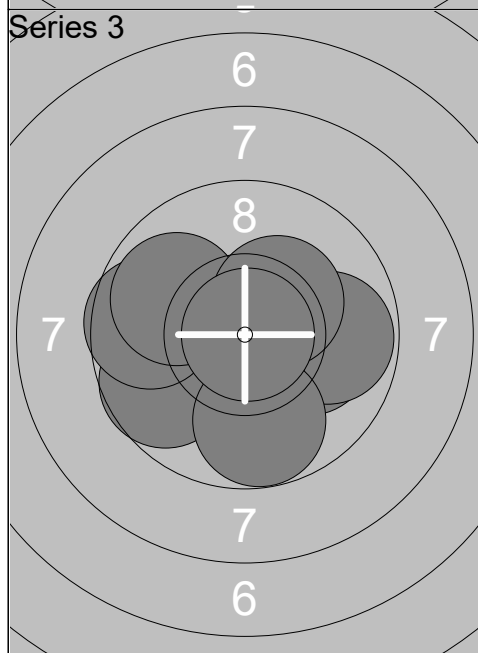
Relay	Lane	Lone Jarlind Mauland			
2	18	NOR	WJ	R	
Qual Day 3		Denmark Open Air 2026		Denmark Open Air 2026	
11.02.2026					
<b>Series 1</b> 	1: 10.5x ←	<b>Series 2</b> 	1: 10.1 ↗		
	2: 10.2x ↓		2: 10.0 ↘		
	3: 10.6x ↓		3: 10.4x ↗		
	4: 10.4x ←		4: 10.3x ↓		
	5: 10.8x →		5: 10.6x ↘		
	6: 10.5x ↖		6: 10.0 ←		
	7: 10.6x →		7: 10.7x ←		
	8: 9.7 ↗		8: 10.3x →		
	9: 10.0 ↓		9: 10.5x →		
	10: 10.6x ↓		10: 10.2x ↑		
	<b>Series</b> 103.9	<b>Series</b> 103.1			
	103.9	207.0			
<b>Series 3</b> 	1: 10.6x ↑	<b>Series 4</b> 	1: 10.2x ↗		
	2: 10.5x ↗		2: 10.1 ↗		
	3: 10.7x ↑		3: 10.9x ↖		
	4: 10.7x ↖		4: 9.9 ←		
	5: 10.9x ↑		5: 9.8 ↗		
	6: 10.4x ↓		6: 9.3 →		
	7: 10.6x ↓		7: 9.7 ←		
	8: 10.0 ↖		8: 9.9 ←		
	9: 10.6x ↙		9: 10.4x →		
	10: 9.7 ↖		10: 9.7 ↓		
	<b>Series</b> 104.7	<b>Series</b> 99.9			
	311.7	411.6			
<b>Series 5</b> 	1: 10.3x ↑	<b>Series 6</b> 	1: 8.9 ↑		
	2: 10.6x ↓		2: 10.1 ↖		
	3: 10.6x ↗		3: 9.5 ↙		
	4: 10.1 →		4: 10.4x ↑		
	5: 8.7 →		5: 9.6 ↓		
	6: 10.3x →		6: 9.5 →		
	7: 10.1 ↓		7: 10.6x ←		
	8: 10.6x →		8: 10.6x →		
	9: 10.1 ↑		9: 10.2x ↓		
	10: 9.0 →		10: 10.4x ←		
	<b>Series</b> 100.4	<b>Series</b> 99.8			
	512.0	611.8			



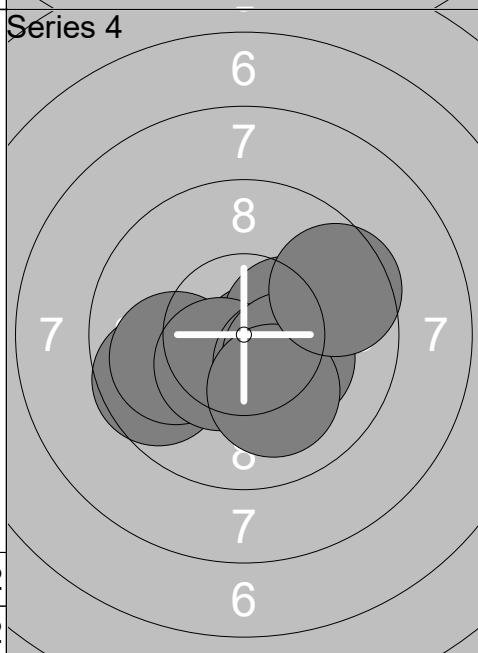
1:	10.3x →
2:	10.3x ↗
3:	10.9x ↑
4:	10.7x ↗
5:	10.2x ←
6:	10.7x ↘
7:	10.8x ↘
8:	9.9 ↘
9:	8.9 ↗
10:	10.3x ↗
<b>Series</b>	<b>103.0</b>
	<b>103.0</b>



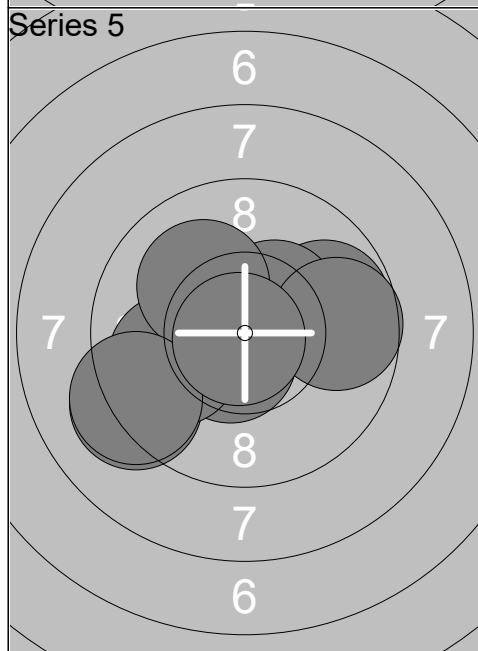
1:	9.1 →
2:	10.3x →
3:	10.7x ↗
4:	10.3x ↑
5:	9.9 ←
6:	10.1 →
7:	10.6x ↘
8:	10.8x →
9:	9.0 ↘
10:	10.2x ↑
<b>Series</b>	<b>101.0</b>
	<b>204.0</b>



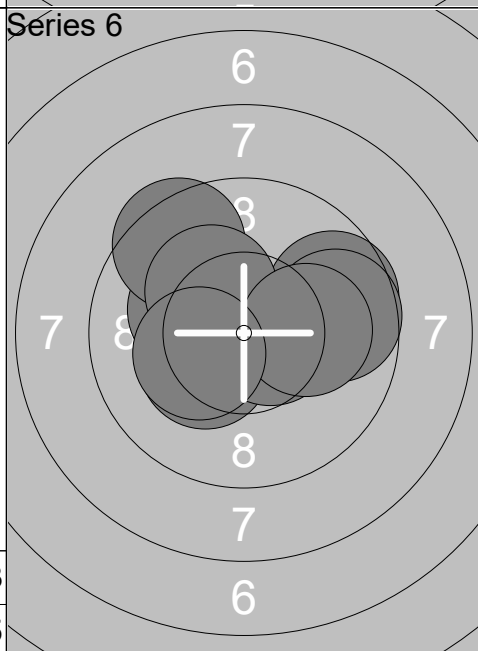
1:	10.4x ↘
2:	10.1 →
3:	9.8 →
4:	10.6x ↘
5:	9.7 ←
6:	9.7 ←
7:	9.9 ←
8:	9.8 ↘
9:	10.3x ↗
10:	10.9x →
<b>Series</b>	<b>101.2</b>
	<b>305.2</b>



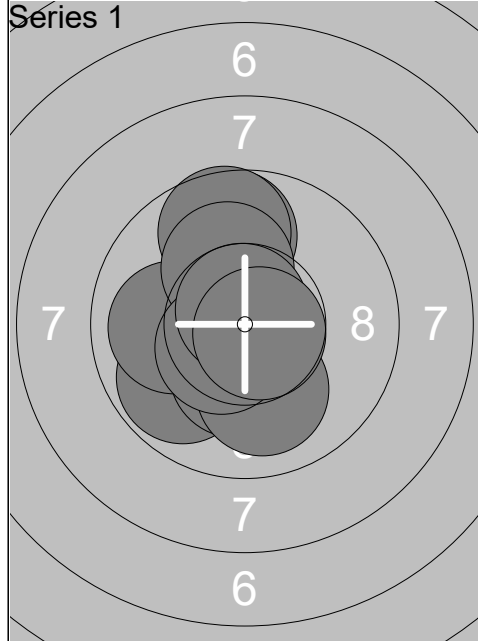
1:	9.7 ←
2:	10.7x ↘
3:	10.0 ←
4:	10.5x ↘
5:	10.3x →
6:	10.4x ↘
7:	10.4x ↘
8:	10.3x ↘
9:	10.1 ↘
10:	9.6 ↗
<b>Series</b>	<b>102.0</b>
	<b>407.2</b>



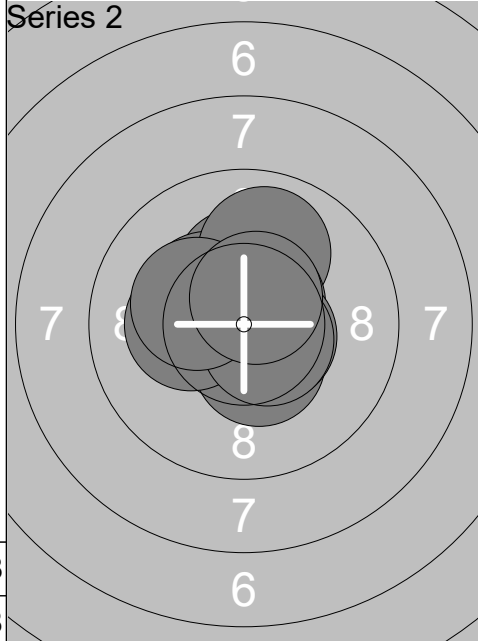
1:	10.6x ↑
2:	9.8 →
3:	10.4x ↗
4:	10.6x ↘
5:	9.2 ←
6:	9.7 →
7:	9.9 ←
8:	10.1 ↗
9:	9.2 ←
10:	10.8x ↘
<b>Series</b>	<b>100.3</b>
	<b>507.5</b>



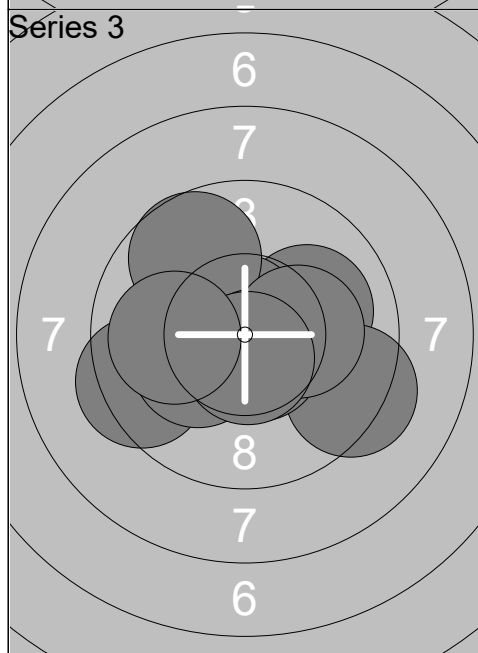
1:	10.3x ↘
2:	10.2x ↘
3:	10.7x ←
4:	9.7 →
5:	9.7 →
6:	10.6x →
7:	9.5 ↑
8:	10.3x ↗
9:	10.1 →
10:	10.3x ←
<b>Series</b>	<b>101.4</b>
	<b>608.9</b>



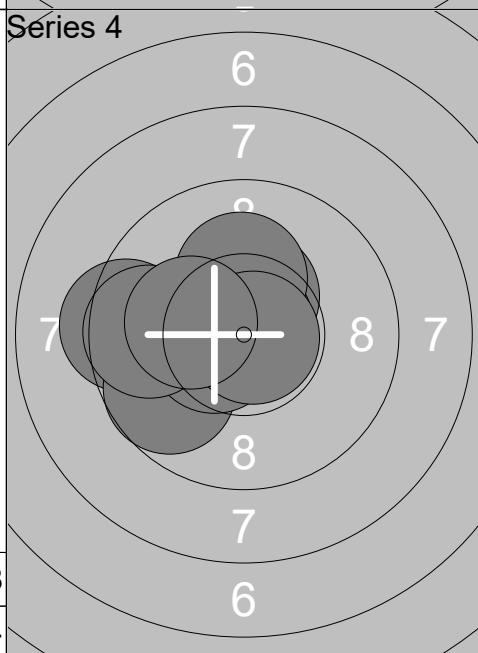
1:	9.7	↑
2:	9.9	↙
3:	9.7	↑
4:	10.3x	↓
5:	10.0	←
6:	10.2x	↑
7:	10.1	↓
8:	10.5x	↙
9:	10.7x	↑
10:	10.7x	↘
<b>Series</b>	<b>101.8</b>	
	<b>101.8</b>	



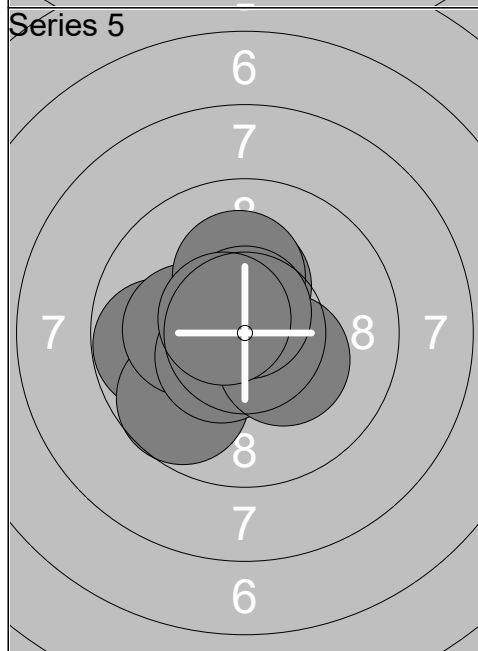
1:	10.3x	↑
2:	10.4x	↓
3:	10.2x	←
4:	10.4x	↖
5:	9.9	↑
6:	10.6x	↗
7:	10.5x	↘
8:	10.6x	↘
9:	10.3x	↖
10:	10.6x	↗
<b>Series</b>	<b>103.8</b>	
	<b>205.6</b>	



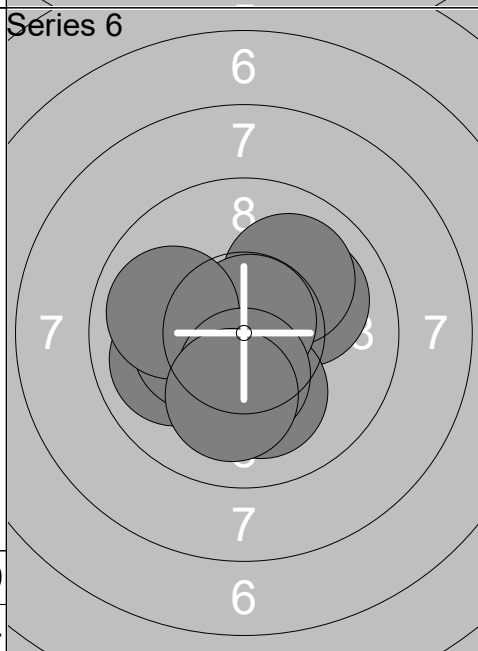
1:	10.1	→
2:	9.3	↘
3:	10.7x	↗
4:	9.7	↗
5:	9.4	←
6:	10.6x	↓
7:	10.2x	→
8:	10.2x	↖
9:	10.6x	↓
10:	10.0	←
<b>Series</b>	<b>100.8</b>	
	<b>306.4</b>	



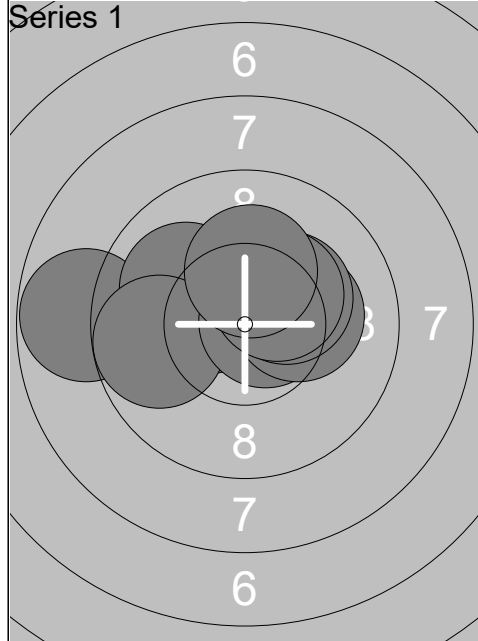
1:	10.4x	↑
2:	10.4x	←
3:	10.8x	↑
4:	9.3	←
5:	9.7	↙
6:	10.5x	↖
7:	10.2x	↑
8:	10.8x	↘
9:	9.7	←
10:	10.2x	↖
<b>Series</b>	<b>102.0</b>	
	<b>408.4</b>	



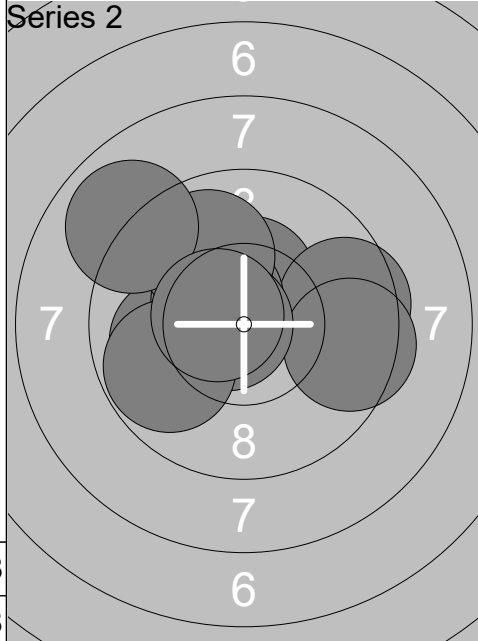
1:	10.7x	↓
2:	9.8	←
3:	9.7	↙
4:	10.2x	←
5:	10.5x	↙
6:	10.3x	↑
7:	10.3x	↘
8:	10.2x	↑
9:	10.7x	↑
10:	10.6x	↖
<b>Series</b>	<b>103.0</b>	
	<b>511.4</b>	



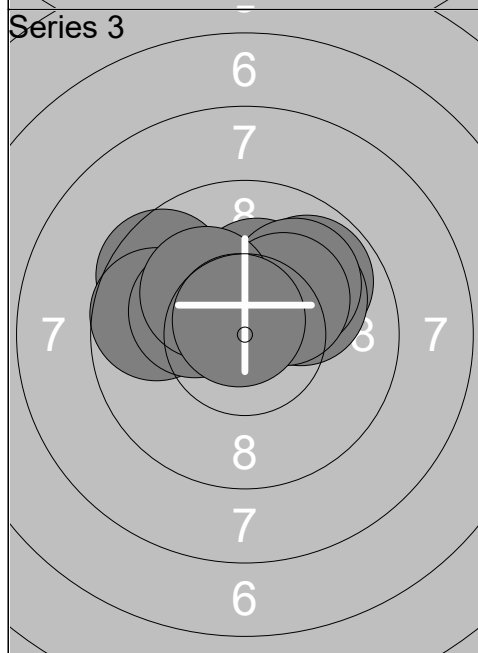
1:	10.3x	↙
2:	10.0	←
3:	10.3x	←
4:	10.1	→
5:	10.0	↗
6:	10.1	↓
7:	10.8x	↗
8:	10.0	←
9:	10.4x	↓
10:	10.1	↓
<b>Series</b>	<b>102.1</b>	
	<b>613.5</b>	



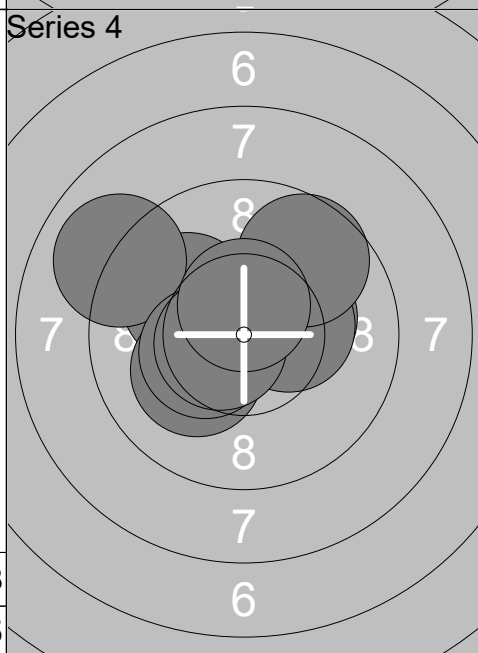
1:	10.0	↖
2:	10.4x	↖
3:	8.8	←
4:	10.0	↖
5:	9.8	←
6:	10.7x	→
7:	10.2x	→
8:	10.3x	↗
9:	10.4x	↗
10:	10.2x	↑
<b>Series</b>	<b>100.8</b>	
	<b>100.8</b>	



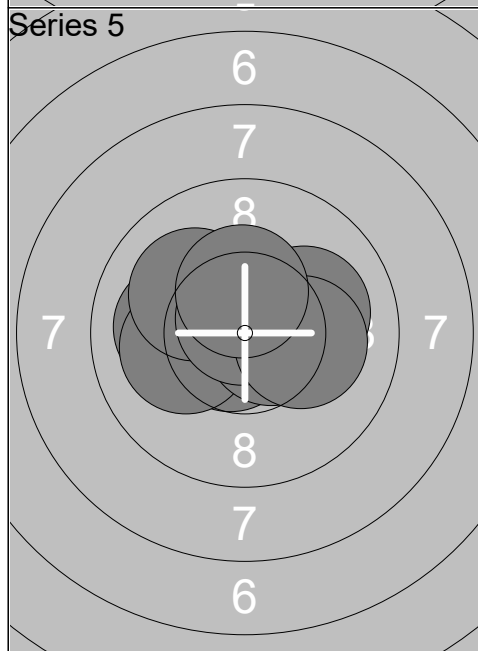
1:	10.4x	↑
2:	9.6	→
3:	9.5	→
4:	10.0	←
5:	10.5x	↖
6:	9.9	↖
7:	10.7x	←
8:	9.8	←
9:	8.9	↖
10:	10.6x	←
<b>Series</b>	<b>99.9</b>	
	<b>200.7</b>	



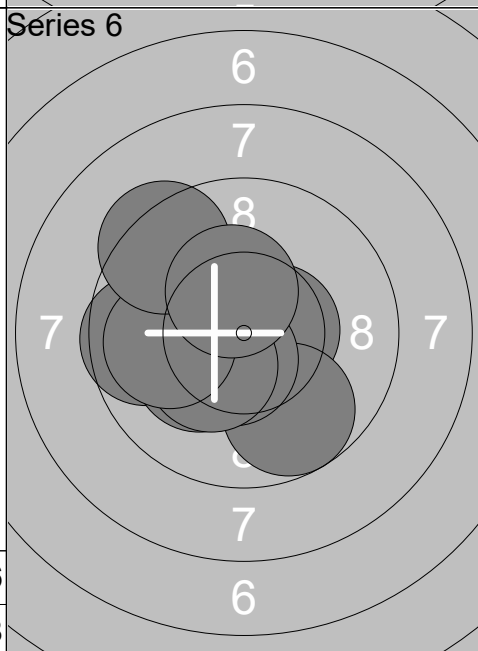
1:	9.8	↗
2:	9.6	↖
3:	9.7	←
4:	10.2x	↖
5:	10.3x	↑
6:	10.0	↗
7:	10.0	↗
8:	10.3x	↗
9:	10.2x	↖
10:	10.7x	↖
<b>Series</b>	<b>100.8</b>	
	<b>301.5</b>	



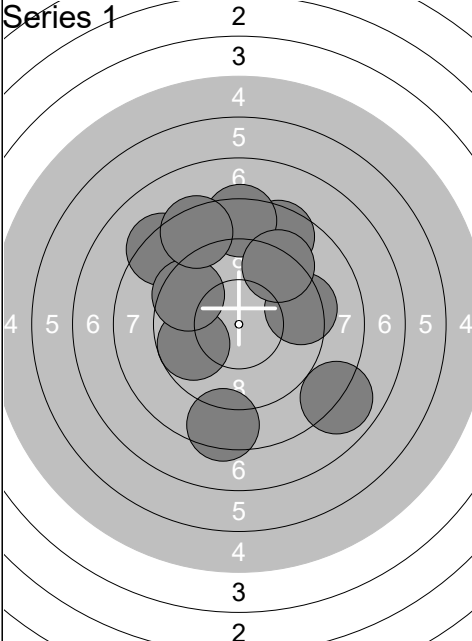
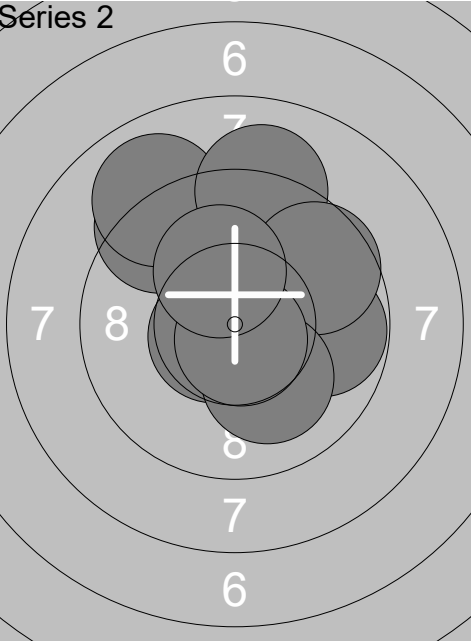
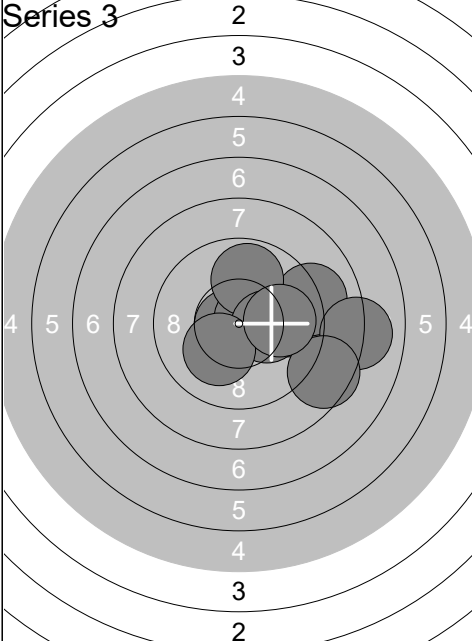
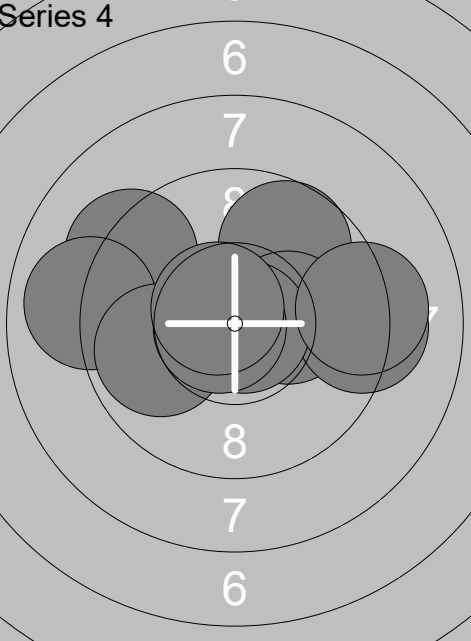
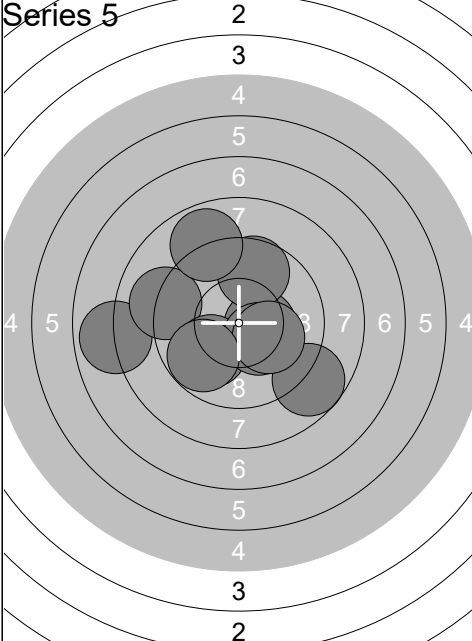
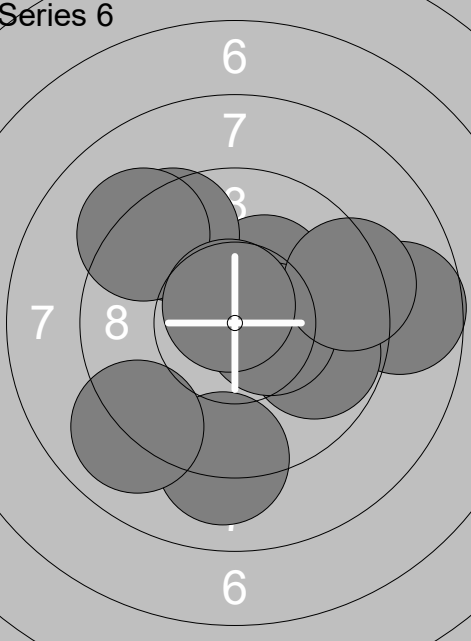
1:	10.1	↖
2:	10.1	↖
3:	10.7x	↑
4:	9.0	↖
5:	10.3x	→
6:	10.3x	→
7:	10.4x	←
8:	9.7	↗
9:	10.6x	←
10:	10.5x	↑
<b>Series</b>	<b>101.7</b>	
	<b>403.2</b>	

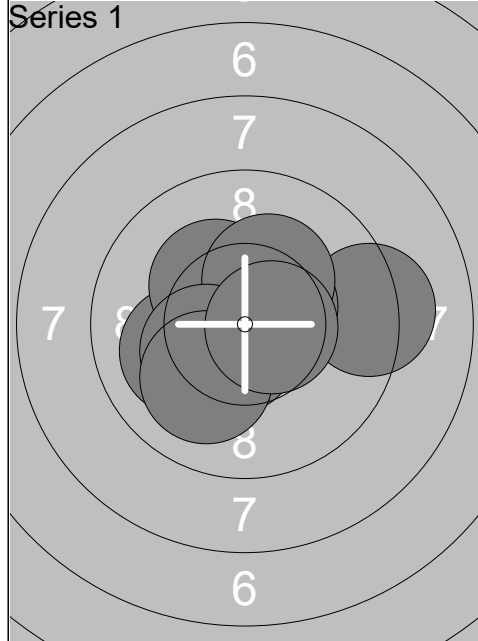


1:	10.1	←
2:	10.7x	↖
3:	10.1	→
4:	10.6x	↖
5:	10.1	←
6:	10.1	↖
7:	10.6x	→
8:	10.7x	↑
9:	10.2x	→
10:	10.4x	↑
<b>Series</b>	<b>103.6</b>	
	<b>506.8</b>	

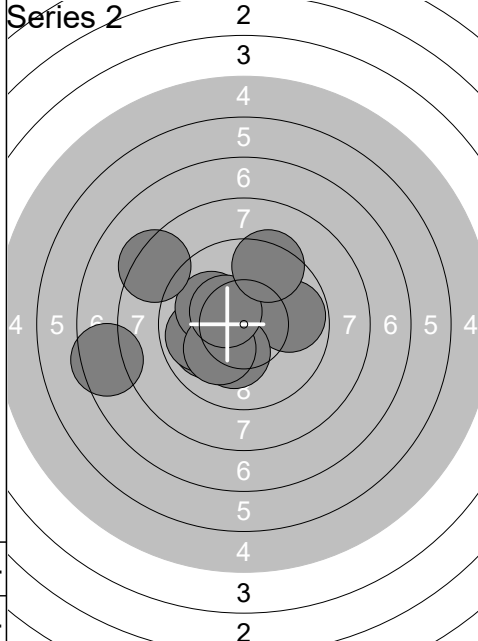


1:	10.5x	→
2:	9.8	↖
3:	9.7	↘
4:	10.5x	↘
5:	9.6	←
6:	10.2x	↖
7:	10.3x	↖
8:	9.9	←
9:	9.4	↖
10:	10.4x	↑
<b>Series</b>	<b>100.3</b>	
	<b>607.1</b>	

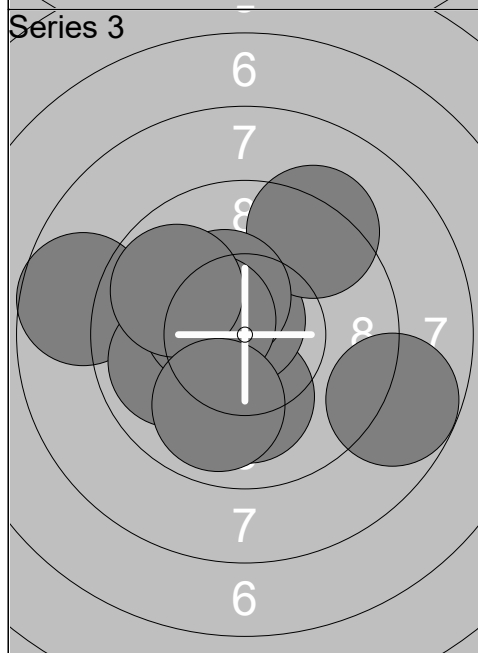
Relay	Lane	Nelli Johansson			
2	22	SWE		WJ	R
Qual Day 3		Denmark Open Air 2026		Denmark Open Air 2026	
11.02.2026		Denmark Open Air 2026		Denmark Open Air 2026	
Series 1		1: 8.6 ↗		1: 10.0 ↗	
		2: 9.4 →		2: 9.8 →	
		3: 8.3 ↗		3: 9.3 ↗	
		4: 8.0 ↘		4: 10.6x ↙	
		5: 8.4 ↓		5: 9.0 ↗	
		6: 8.4 ↑		6: 9.1 ↑	
		7: 9.7 ←		7: 9.6 ↗	
		8: 9.2 ↗		8: 10.1 ↓	
		9: 9.5 ↖		9: 10.7x ↓	
		10: 8.4 ↗		10: 10.2x ↗	
		Series 87.9		Series 98.4	
		87.9		186.3	
Series 3		1: 9.8 →		1: 9.3 ↖	
		2: 10.8x ↙		2: 9.0 ←	
		3: 10.6x →		3: 9.7 ↗	
		4: 9.1 →		4: 10.2x →	
		5: 9.9 ↑		5: 9.9 ←	
		6: 10.2x →		6: 9.2 →	
		7: 8.1 →		7: 10.8x →	
		8: 8.6 ↘		8: 9.2 →	
		9: 10.2x ↙		9: 10.7x ↙	
		10: 10.0 →		10: 10.6x ↖	
		Series 97.3		Series 98.6	
		283.6		382.2	
Series 5		1: 7.9 ←		1: 8.7 →	
		2: 10.4x →		2: 10.3x ↗	
		3: 8.7 ↘		3: 9.1 ↓	
		4: 9.7 ↑		4: 9.8 →	
		5: 9.1 ←		5: 9.5 ↗	
		6: 10.0 ↙		6: 9.2 ↗	
		7: 10.3x ↘		7: 10.5x →	
		8: 10.1 →		8: 9.3 →	
		9: 9.8 ↖		9: 10.7x ↗	
		10: 8.9 ↗		10: 9.0 ↙	
		Series 94.9		Series 96.1	
		477.1		573.2	



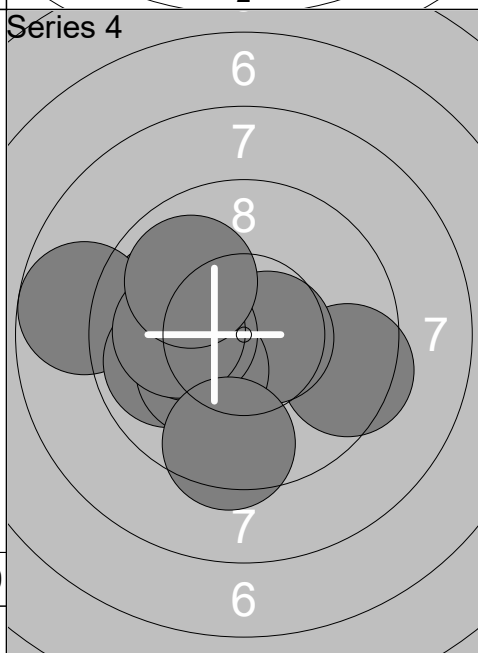
1:	10.3x ↖
2:	9.3 →
3:	10.1 ←
4:	10.6x ↙
5:	10.5x ↗
6:	10.3x ↖
7:	10.3x ↗
8:	10.3x ↙
9:	10.1 ↙
10:	10.6x →
<b>Series</b>	<b>102.4</b>
	<b>102.4</b>



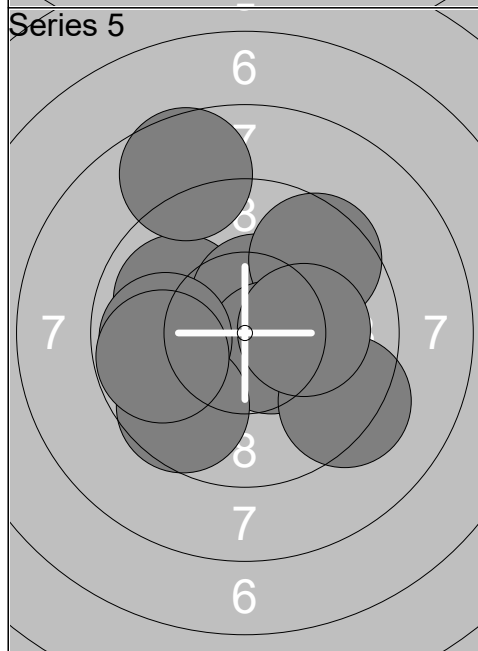
1:	7.5 ←
2:	10.0 ↙
3:	9.8 →
4:	9.9 ←
5:	10.1 ↖
6:	10.2x ↙
7:	10.1 ↙
8:	10.4x ↖
9:	9.4 ↗
10:	8.3 ↖
<b>Series</b>	<b>95.7</b>
	<b>198.1</b>



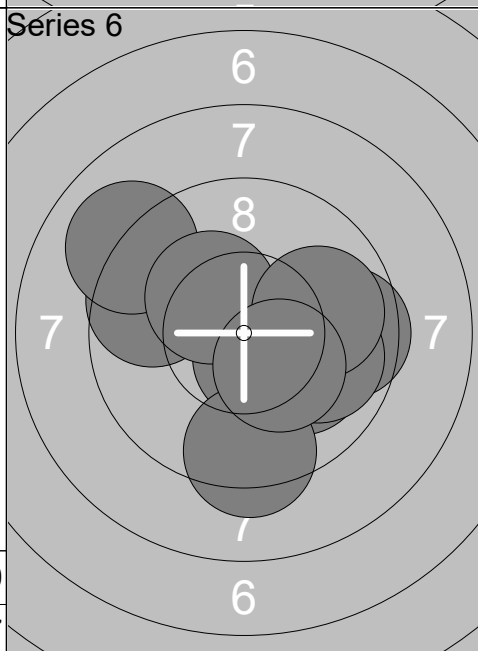
1:	8.7 ←
2:	10.1 ↓
3:	10.7x ↖
4:	9.3 ↗
5:	9.9 ←
6:	10.4x ↖
7:	10.4x ↖
8:	8.8 →
9:	9.8 ↖
10:	9.9 ↓
<b>Series</b>	<b>98.0</b>
	<b>296.1</b>



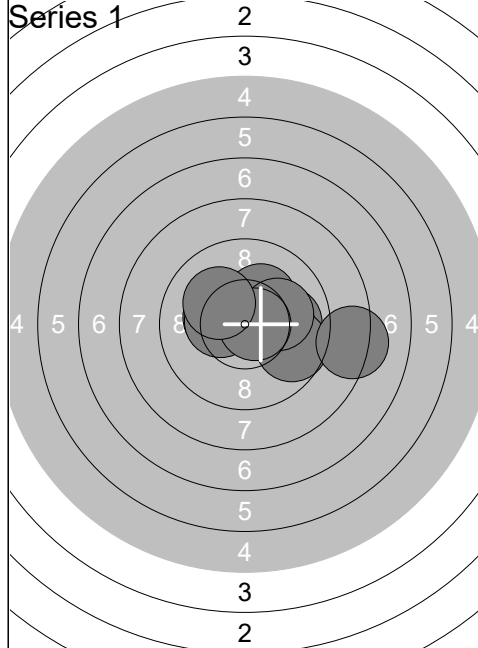
1:	9.9 ←
2:	9.5 →
3:	8.8 ←
4:	9.9 ←
5:	10.6x →
6:	10.2x ↙
7:	10.3x ←
8:	10.1 ←
9:	9.4 ↓
10:	9.9 ↗
<b>Series</b>	<b>98.6</b>
	<b>394.7</b>



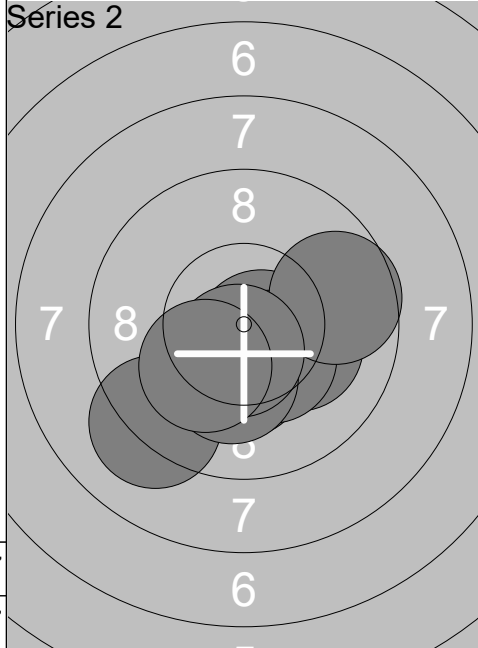
1:	10.0 ←
2:	8.6 ↗
3:	10.5x ↗
4:	9.6 ↗
5:	10.5x →
6:	9.9 ←
7:	9.6 ↙
8:	9.3 ↙
9:	10.2x →
10:	9.8 ←
<b>Series</b>	<b>98.0</b>
	<b>492.7</b>



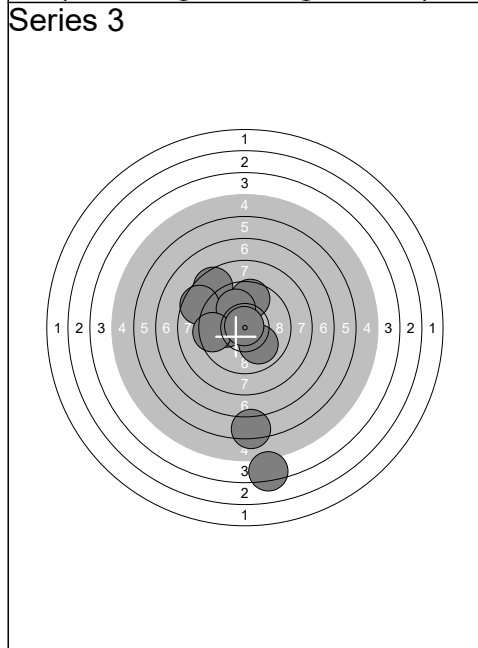
1:	10.1 ↙
2:	10.6x ↙
3:	9.6 ←
4:	9.0 ↗
5:	9.6 →
6:	9.9 →
7:	10.3x ↗
8:	9.9 →
9:	9.3 ↓
10:	10.3x ↙
<b>Series</b>	<b>98.6</b>
	<b>591.3</b>



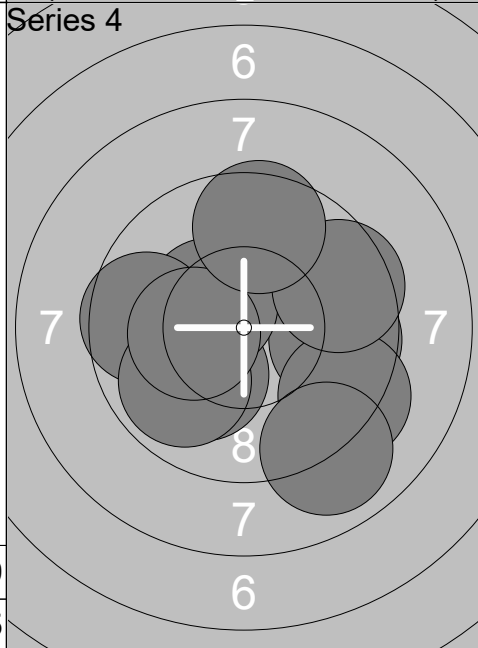
1:	9.9	→
2:	10.1	→
3:	10.2x	↗
4:	10.3x	↖
5:	10.3x	↖
6:	9.7	→
7:	10.1	→
8:	10.7x	→
9:	10.1	↖
10:	8.3	→
<b>Series</b>	<b>99.7</b>	
	<b>99.7</b>	



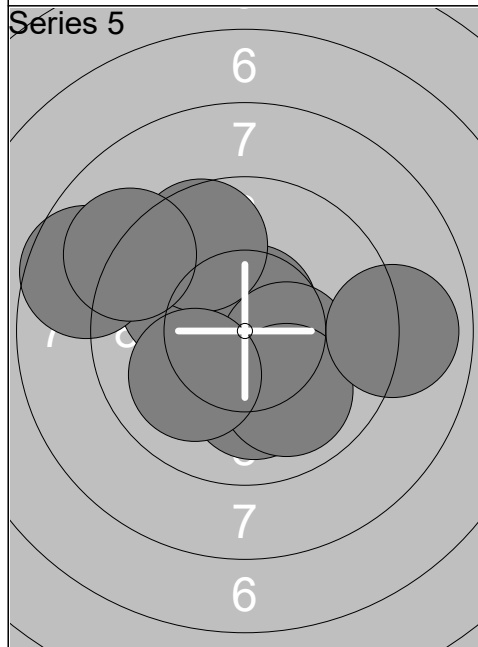
1:	10.2x	→
2:	10.4x	↘
3:	10.3x	↘
4:	10.7x	→
5:	10.4x	↘
6:	9.7	→
7:	9.2	↘
8:	10.2x	↘
9:	10.6x	↘
10:	10.2x	↘
<b>Series</b>	<b>101.9</b>	
	<b>201.6</b>	



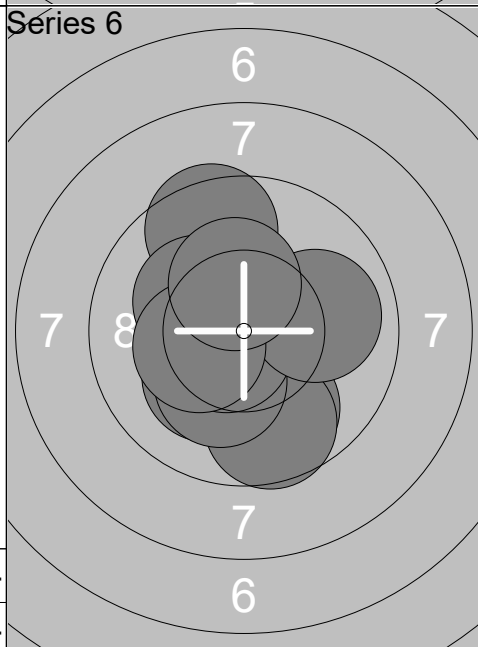
1:	4.3	↘
2:	6.3	↘
3:	10.0	↘
4:	9.6	↗
5:	8.6	↗
6:	10.1	↖
7:	8.6	↖
8:	10.0	↗
9:	9.5	↖
10:	10.9x	↗
<b>Series</b>	<b>87.9</b>	
	<b>289.5</b>	



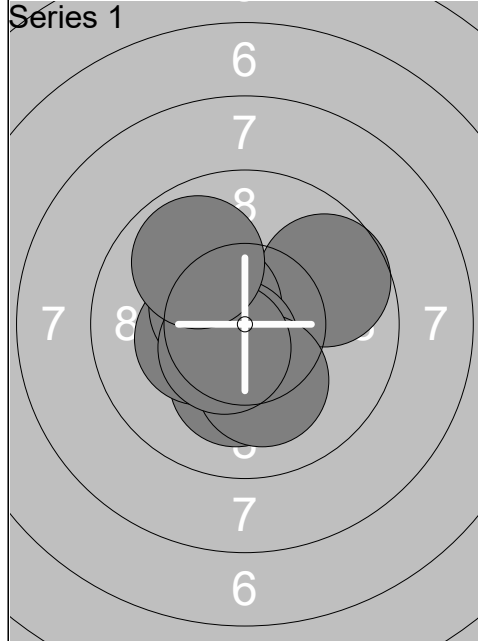
1:	9.7	→
2:	9.3	↘
3:	10.1	↘
4:	10.4x	↖
5:	9.6	↖
6:	9.9	↘
7:	9.6	→
8:	10.3x	↖
9:	9.6	↗
10:	9.0	↘
<b>Series</b>	<b>97.5</b>	
	<b>387.0</b>	



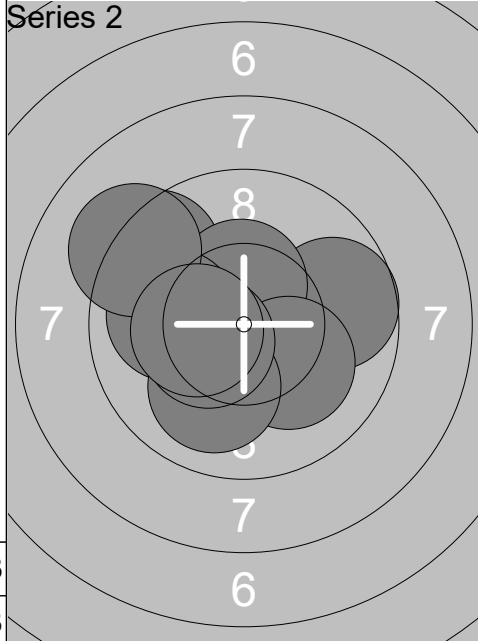
1:	10.0	↖
2:	8.7	↖
3:	10.1	↘
4:	10.7x	↗
5:	10.3x	→
6:	10.0	↘
7:	9.6	↗
8:	9.1	↗
9:	10.0	↘
10:	8.9	→
<b>Series</b>	<b>97.4</b>	
	<b>484.4</b>	



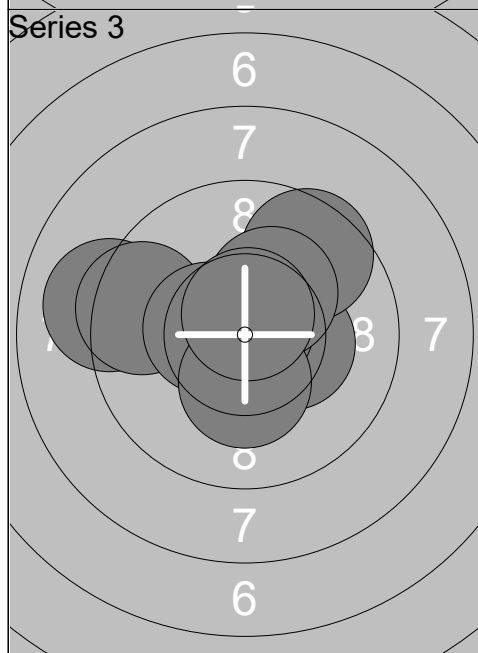
1:	9.8	↘
2:	9.6	↘
3:	9.5	↗
4:	10.2x	↘
5:	10.2x	↘
6:	10.6x	↘
7:	10.2x	↖
8:	10.0	→
9:	10.3x	↖
10:	10.3x	↗
<b>Series</b>	<b>100.7</b>	
	<b>585.1</b>	



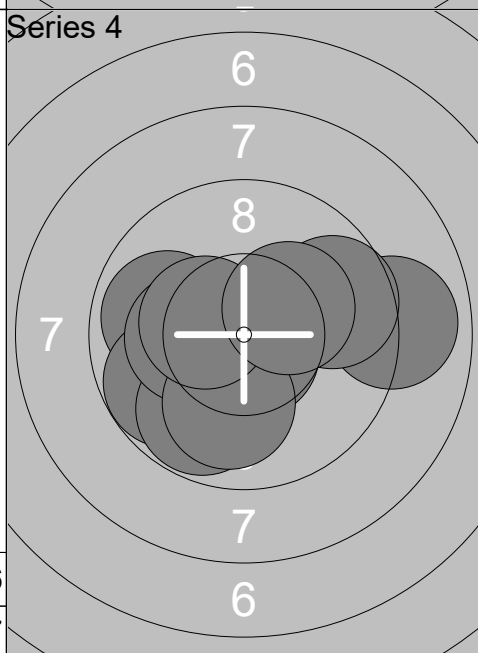
1:	10.7x	←
2:	10.2x	↓
3:	10.7x	↙
4:	10.3x	←
5:	9.7	↗
6:	10.5x	↖
7:	10.6x	↓
8:	10.2x	↓
9:	10.5x	↙
10:	9.9	↖
<b>Series</b>	<b>103.3</b>	
	<b>103.3</b>	



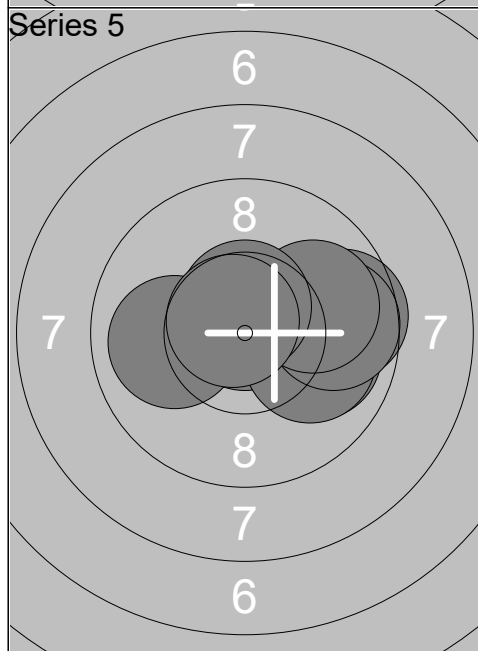
1:	10.2x	→
2:	9.4	↖
3:	9.7	→
4:	10.4x	↑
5:	10.0	←
6:	10.2x	↘
7:	9.2	↖
8:	10.0	↓
9:	10.4x	↙
10:	10.3x	←
<b>Series</b>	<b>99.8</b>	
	<b>203.1</b>	



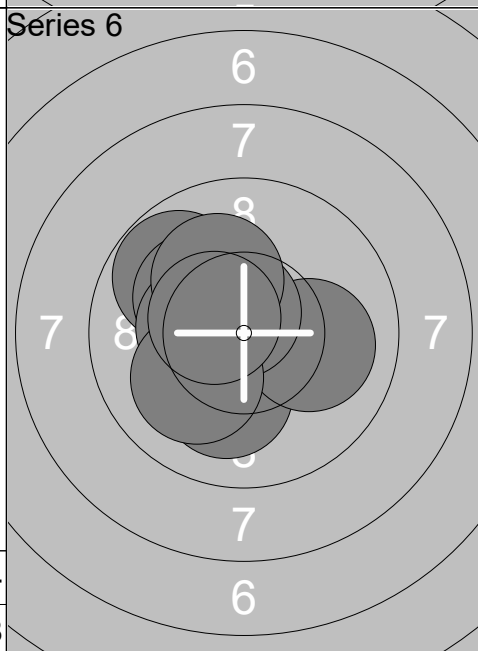
1:	10.3x	→
2:	9.1	←
3:	10.8x	↑
4:	9.6	↗
5:	10.6x	←
6:	10.3x	↗
7:	9.5	←
8:	10.4x	←
9:	10.3x	↓
10:	10.7x	↑
<b>Series</b>	<b>101.6</b>	
	<b>304.7</b>	



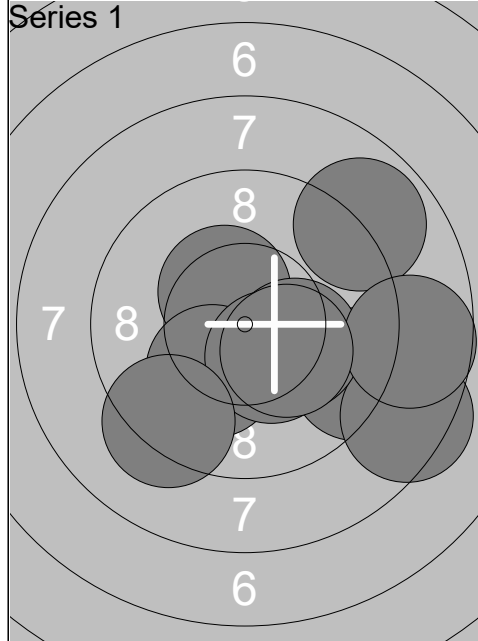
1:	9.9	←
2:	9.8	↙
3:	9.0	→
4:	9.7	↗
5:	10.7x	↓
6:	9.8	↓
7:	10.2x	←
8:	10.0	↓
9:	10.4x	←
10:	10.2x	↗
<b>Series</b>	<b>99.7</b>	
	<b>404.4</b>	



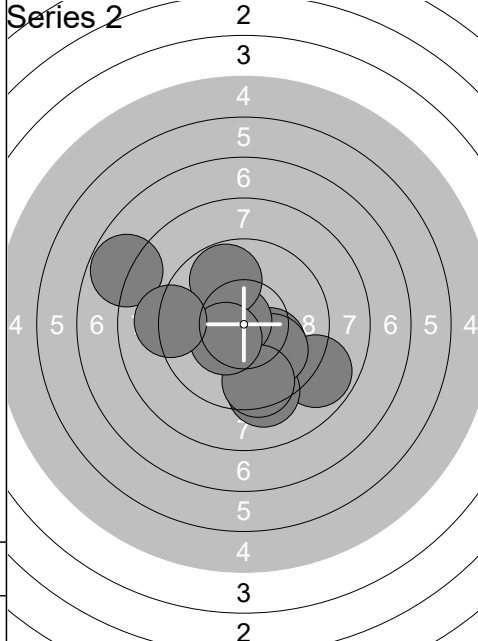
1:	10.1	→
2:	9.9	→
3:	9.6	→
4:	10.8x	↑
5:	10.0	→
6:	9.7	→
7:	10.0	←
8:	10.0	↗
9:	10.6x	↑
10:	10.7x	↖
<b>Series</b>	<b>101.4</b>	
	<b>505.8</b>	



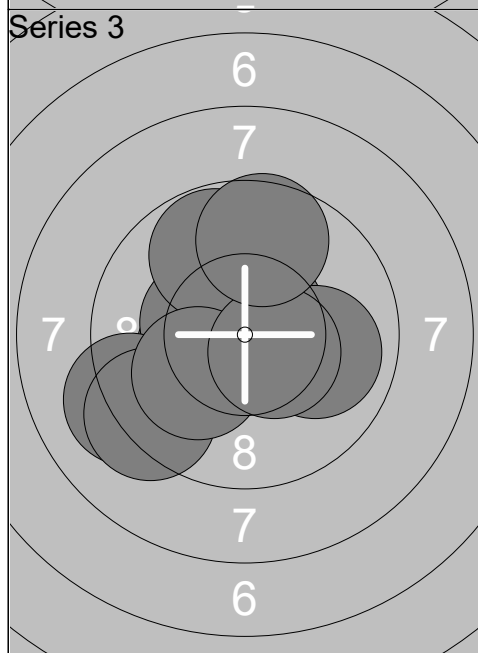
1:	10.6x	↓
2:	9.8	↖
3:	10.2x	↖
4:	10.1	↓
5:	10.1	→
6:	10.4x	←
7:	10.6x	↑
8:	10.1	↖
9:	10.1	↙
10:	10.5x	↖
<b>Series</b>	<b>102.5</b>	
	<b>608.3</b>	



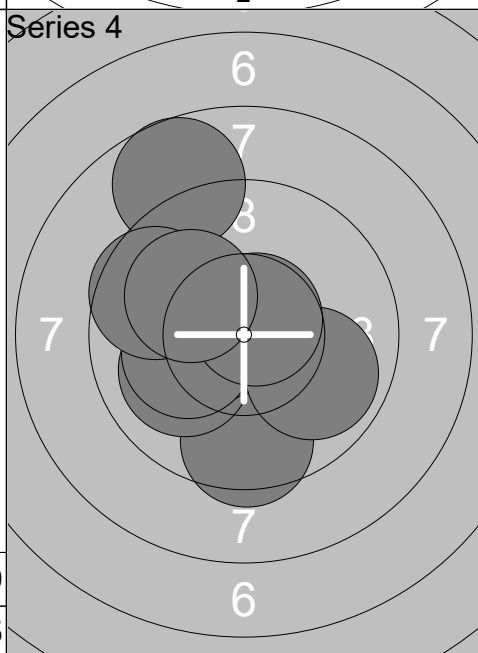
1:	9.3	↘
2:	8.4	↘
3:	10.4x	↗
4:	10.2x	→
5:	10.2x	↘
6:	8.9	↗
7:	8.7	→
8:	10.4x	↘
9:	10.3x	↘
10:	9.3	↘
<b>Series</b>	<b>96.1</b>	
	<b>96.1</b>	



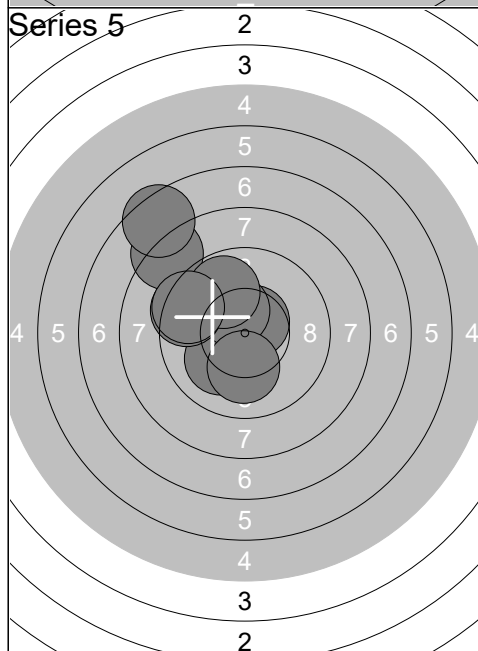
1:	8.8	↘
2:	9.2	↘
3:	10.2x	↘
4:	10.0	↘
5:	10.7x	↖
6:	7.8	↖
7:	9.8	↗
8:	9.5	↘
9:	10.4x	↘
10:	9.1	←
<b>Series</b>	<b>95.5</b>	
	<b>191.6</b>	



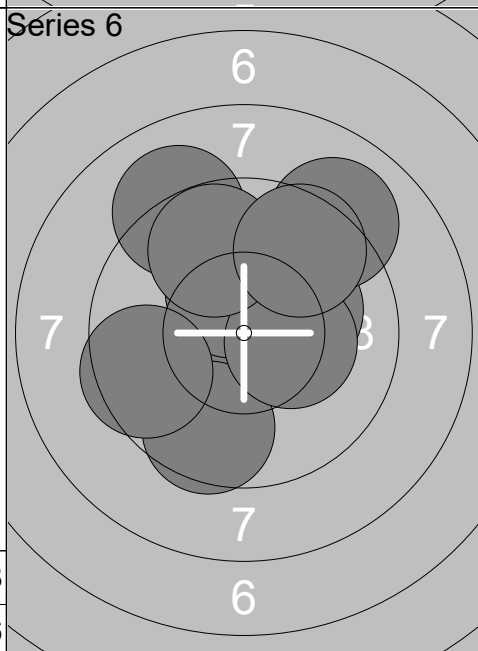
1:	10.4x	↖
2:	10.4x	↖
3:	10.6x	↗
4:	9.2	←
5:	10.0	→
6:	9.3	↖
7:	9.8	↗
8:	10.1	↖
9:	10.5x	↘
10:	9.6	↗
<b>Series</b>	<b>99.9</b>	
	<b>291.5</b>	



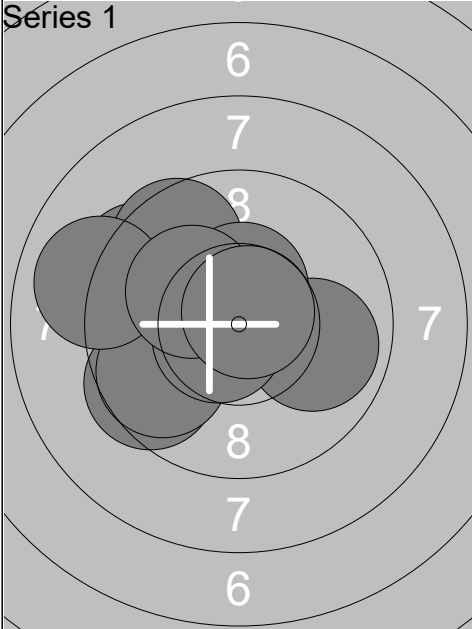
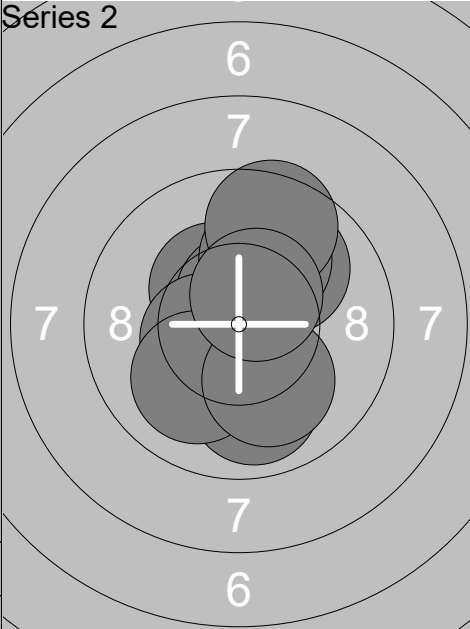
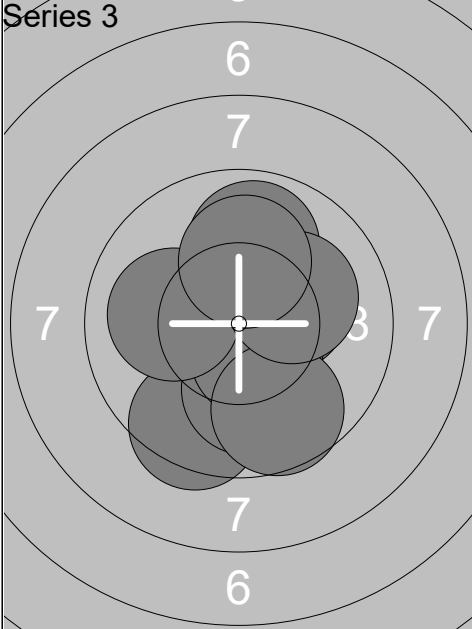
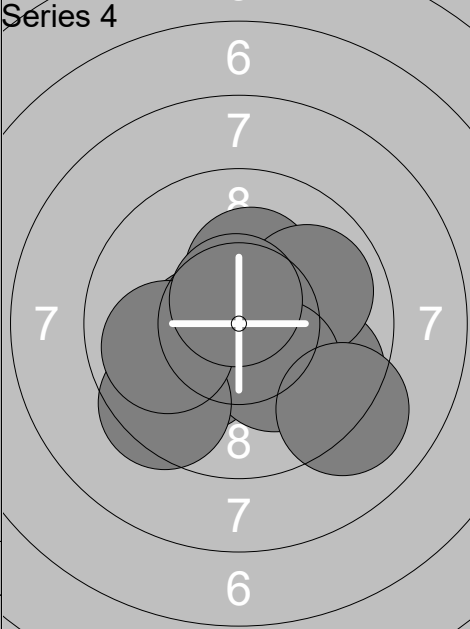
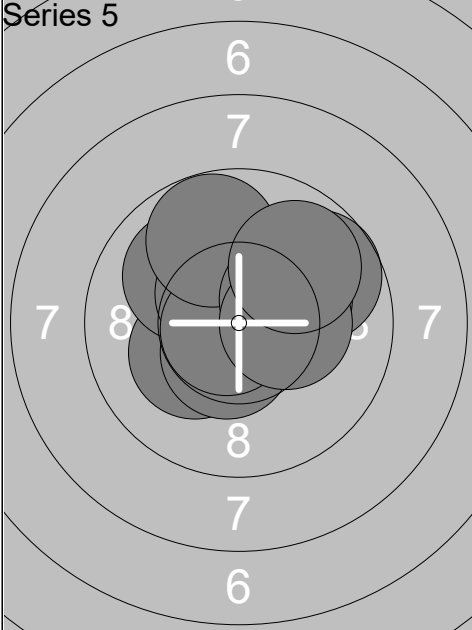
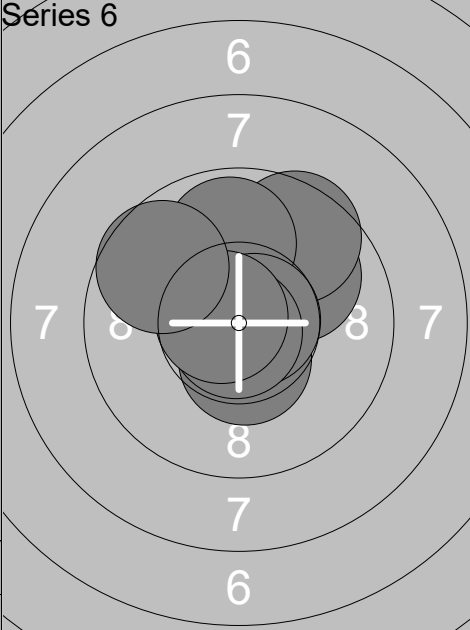
1:	10.2x	↘
2:	9.5	↘
3:	10.0	↖
4:	8.7	↗
5:	10.5x	↖
6:	9.9	→
7:	10.1	←
8:	9.6	↖
9:	10.7x	↗
10:	10.1	↖
<b>Series</b>	<b>99.3</b>	
	<b>390.8</b>	

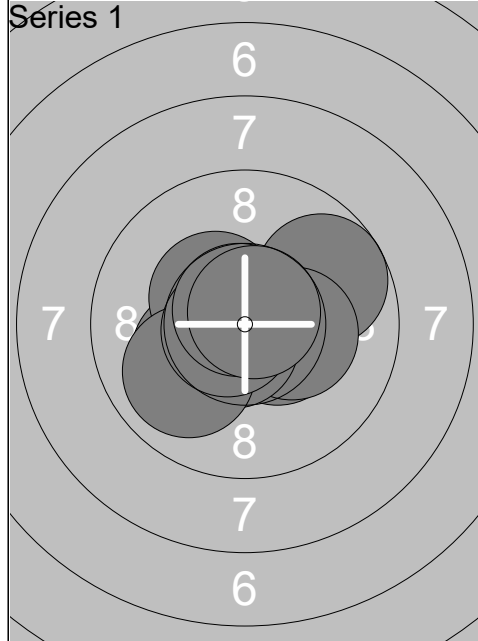


1:	10.6x	↗
2:	10.1	↘
3:	9.4	↖
4:	10.3x	↗
5:	8.2	↗
6:	7.5	↗
7:	9.4	↖
8:	9.8	↗
9:	9.4	↖
10:	10.1	↘
<b>Series</b>	<b>94.8</b>	
	<b>485.6</b>	

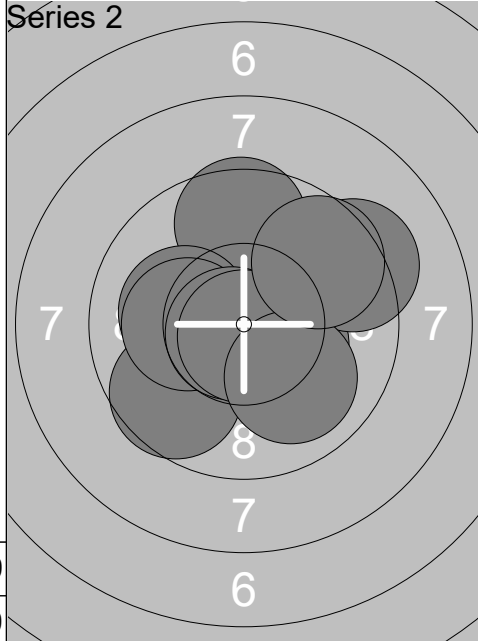


1:	9.1	↗
2:	10.3x	↘
3:	10.4x	↗
4:	9.6	↘
5:	9.5	←
6:	10.2x	→
7:	10.3x	→
8:	9.0	↗
9:	9.8	↗
10:	9.6	↗
<b>Series</b>	<b>97.8</b>	
	<b>583.4</b>	

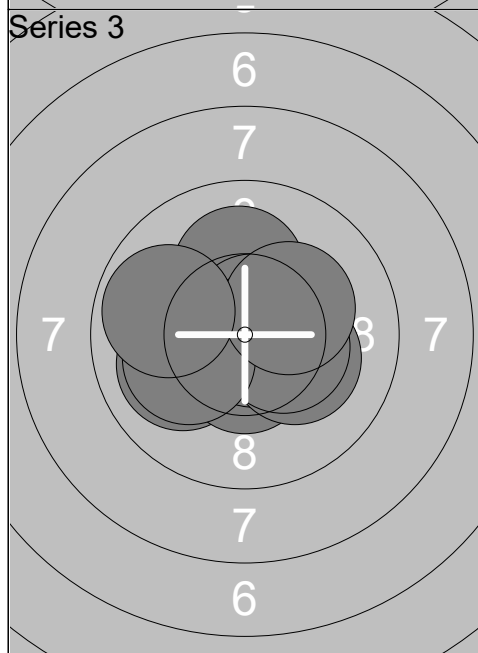
Relay	Lane	Hilma Agrell		
2	27	SWE	WJ	R
Qual Day 3		Denmark Open Air 2026		Denmark Open Air 2026
11.02.2026		Denmark Open Air 2026		Denmark Open Air 2026
Series 1 	1: 9.5 ↙	Series 2 	1: 10.4x ↘	
	2: 9.4 ↖		2: 10.0 ↗	
	3: 9.7 ↖		3: 10.6x ↑	
	4: 9.6 ↗		4: 10.5x ↙	
	5: 9.9 ➡		5: 10.0 ↗	
	6: 10.5x ↑		6: 9.9 ↓	
	7: 10.6x ↙		7: 9.6 ↑	
	8: 9.0 ↖		8: 10.1 ↙	
	9: 10.2x ↘		9: 10.1 ↓	
	10: 10.8x ↗		10: 10.5x ↗	
	Series 99.2		Series 101.7	
	99.2		200.9	
Series 3 	1: 10.5x ↙	Series 4 	1: 10.5x ↖	
	2: 9.5 ↓		2: 10.2x ↙	
	3: 10.3x ➡		3: 10.2x ↑	
	4: 9.9 ↑		4: 9.7 ➡	
	5: 10.0 ↓		5: 9.9 ➡	
	6: 10.5x ↘		6: 10.2x ↘	
	7: 9.7 ↓		7: 9.5 ↙	
	8: 10.1 ↖		8: 9.9 ↖	
	9: 10.1 ➡		9: 9.1 ↘	
	10: 10.1 ↑		10: 10.6x ↑	
	Series 100.7		Series 99.8	
	301.6		401.4	
Series 5 	1: 10.2x ↙	Series 6 	1: 10.0 ↗	
	2: 10.5x ↘		2: 10.6x ↑	
	3: 10.0 ↖		3: 10.9x ↙	
	4: 10.5x ↗		4: 10.5x ↓	
	5: 9.7 ➡		5: 9.5 ↗	
	6: 10.8x ↙		6: 9.9 ↑	
	7: 9.8 ↑		7: 10.8x ➡	
	8: 10.2x ➡		8: 10.8x ↓	
	9: 10.3x ➡		9: 10.7x ↖	
	10: 9.9 ↗		10: 9.7 ↖	
	Series 101.9		Series 103.4	
	503.3		606.7	



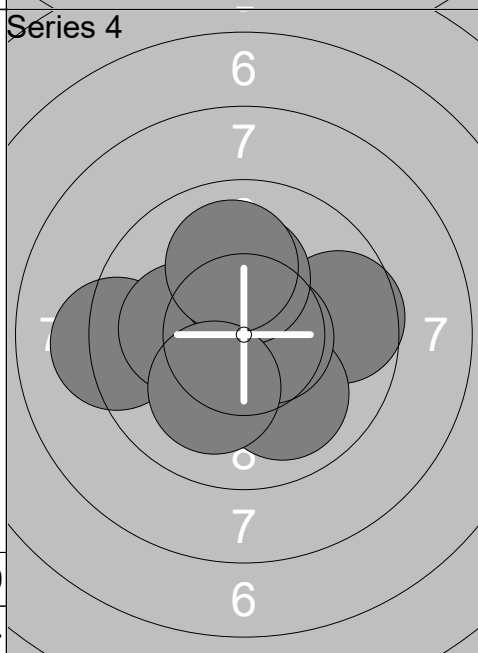
1:	9.7	↗
2:	10.5x	⇒
3:	10.2x	↙
4:	10.3x	⇒
5:	10.6x	↘
6:	10.4x	↖
7:	10.0	↙
8:	10.7x	↙
9:	10.8x	↖
10:	10.7x	↗
<b>Series</b>	<b>103.9</b>	
	<b>103.9</b>	



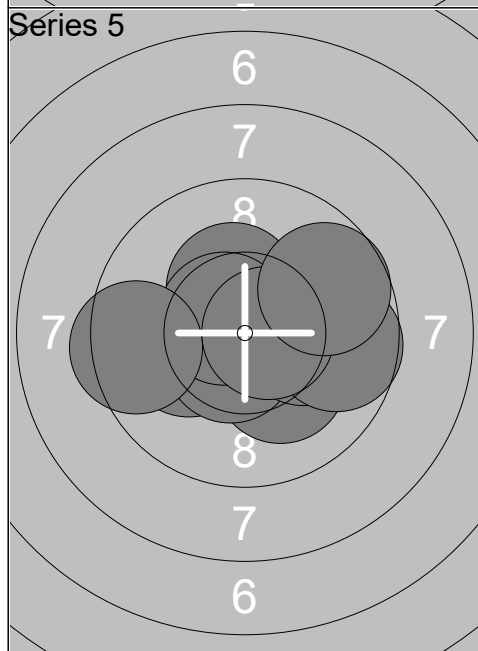
1:	9.6	↑
2:	10.1	←
3:	10.4x	⇒
4:	9.3	↗
5:	9.7	↘
6:	10.2x	↙
7:	10.8x	↙
8:	10.8x	↓
9:	10.0	↘
10:	9.6	↗
<b>Series</b>	<b>100.5</b>	
	<b>204.4</b>	



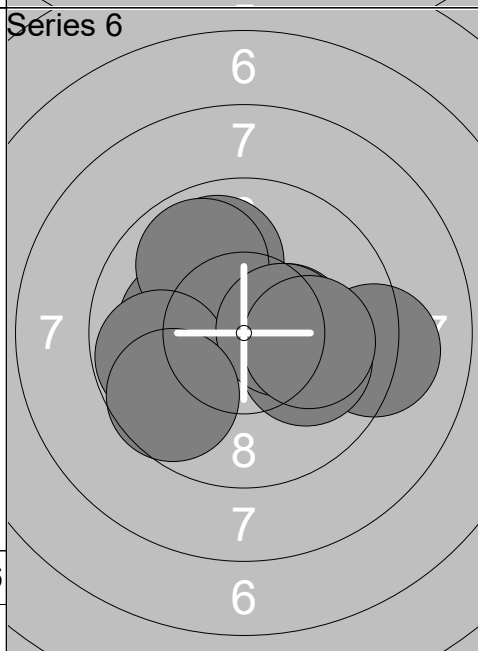
1:	10.0	←
2:	10.1	↑
3:	10.7x	↗
4:	10.5x	↓
5:	10.8x	⇒
6:	10.2x	⇒
7:	10.4x	⇒
8:	10.1	←
9:	10.3x	↗
10:	9.9	←
<b>Series</b>	<b>103.0</b>	
	<b>307.4</b>	



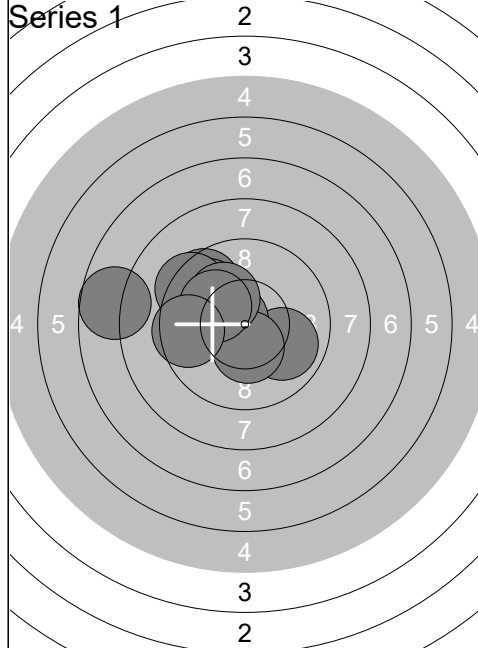
1:	9.6	⇒
2:	9.2	←
3:	10.0	↘
4:	10.5x	↙
5:	10.8x	↙
6:	10.1	←
7:	10.6x	⇒
8:	10.2x	↑
9:	10.0	↑
10:	10.1	↘
<b>Series</b>	<b>101.1</b>	
	<b>408.5</b>	



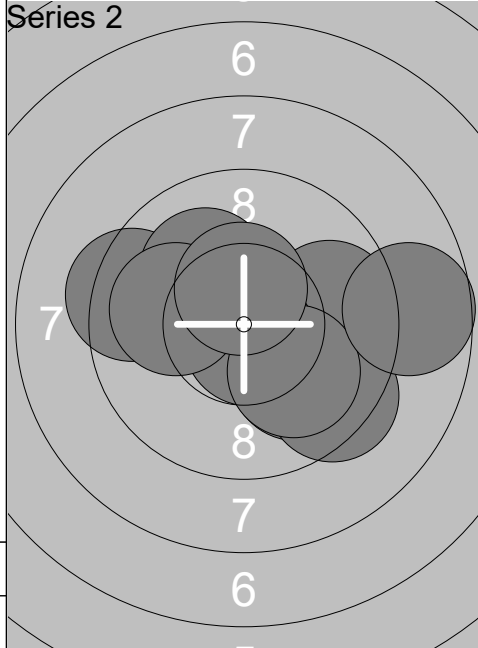
1:	10.2x	↘
2:	10.1	←
3:	10.6x	↘
4:	10.2x	⇒
5:	10.4x	↖
6:	9.7	⇒
7:	10.6x	↖
8:	9.5	←
9:	10.6x	⇒
10:	9.7	↗
<b>Series</b>	<b>101.6</b>	
	<b>510.1</b>	



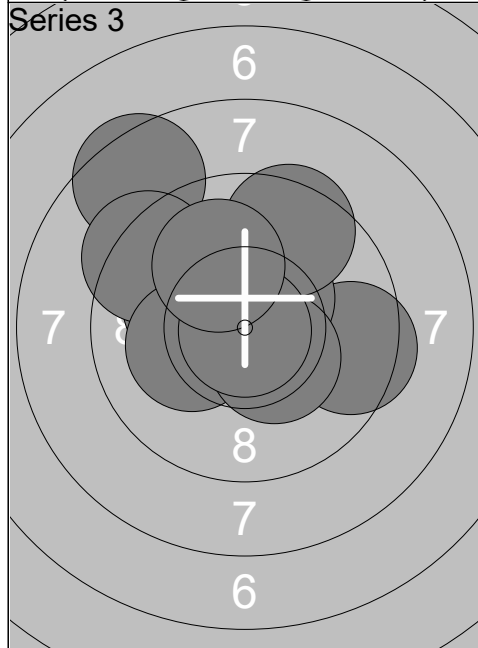
1:	10.1	←
2:	9.2	⇒
3:	10.0	⇒
4:	9.9	↖
5:	9.9	↖
6:	9.8	←
7:	10.4x	⇒
8:	10.4x	⇒
9:	9.7	↘
10:	10.1	⇒
<b>Series</b>	<b>99.5</b>	
	<b>609.6</b>	



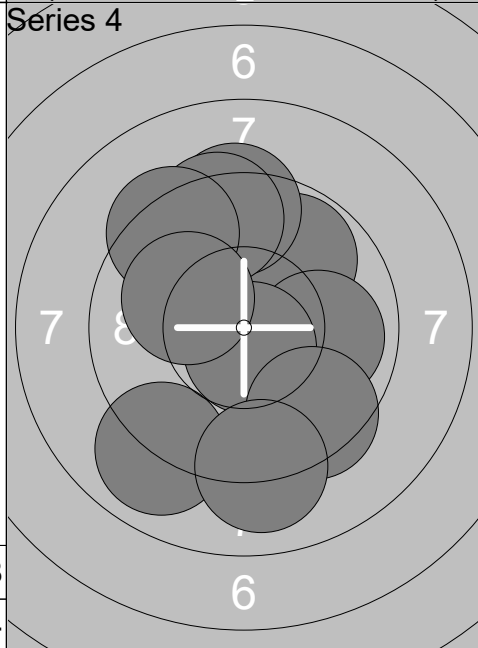
1:	9.9	↘
2:	10.6x	↙
3:	7.7	←
4:	9.6	↗
5:	9.8	↗
6:	9.3	↗
7:	10.4x	↓
8:	10.1	↗
9:	10.1	↖
10:	9.6	←
<b>Series</b>	<b>97.1</b>	
	<b>97.1</b>	



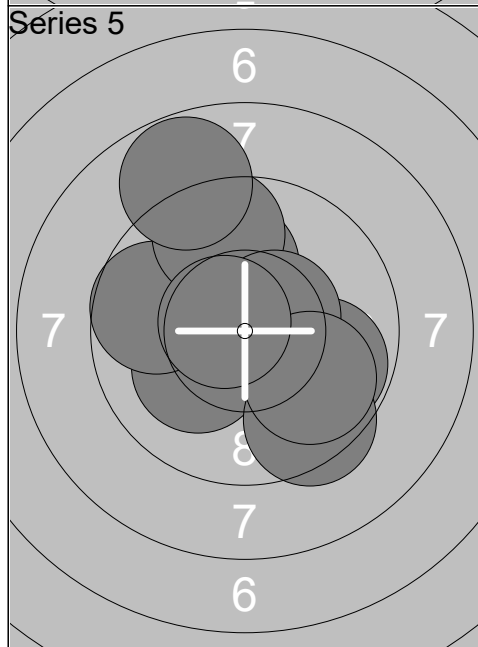
1:	9.9	↘
2:	9.8	→
3:	9.4	↘
4:	9.4	←
5:	10.1	↗
6:	10.7x	↓
7:	10.0	↘
8:	10.0	←
9:	8.7	→
10:	10.5x	↑
<b>Series</b>	<b>98.5</b>	
	<b>195.6</b>	



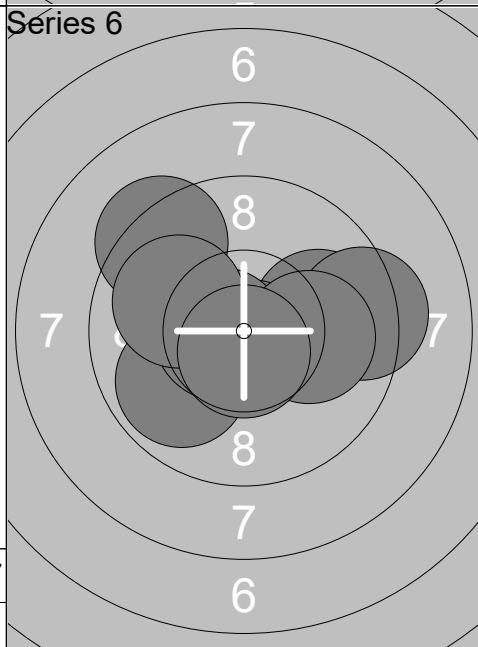
1:	9.5	→
2:	8.5	↗
3:	10.1	←
4:	9.3	↗
5:	10.4x	↗
6:	9.5	↗
7:	10.2x	↙
8:	10.4x	↓
9:	10.9x	↓
10:	10.0	↗
<b>Series</b>	<b>98.8</b>	
	<b>294.4</b>	



1:	9.8	↗
2:	9.4	↑
3:	9.9	→
4:	10.7x	↓
5:	9.0	↘
6:	9.4	↘
7:	9.0	↓
8:	9.4	↑
9:	9.3	↗
10:	10.1	↖
<b>Series</b>	<b>96.0</b>	
	<b>390.4</b>	



1:	10.2x	↙
2:	9.8	→
3:	10.1	↑
4:	9.7	←
5:	9.6	↗
6:	10.5x	↗
7:	9.5	↓
8:	9.9	↘
9:	8.8	↗
10:	10.6x	↙
<b>Series</b>	<b>98.7</b>	
	<b>489.1</b>	



1:	9.9	→
2:	9.3	↗
3:	9.9	→
4:	9.9	↖
5:	10.7x	↓
6:	10.6x	↙
7:	10.0	←
8:	9.3	→
9:	10.1	→
10:	10.7x	↓
<b>Series</b>	<b>100.4</b>	
	<b>589.5</b>	