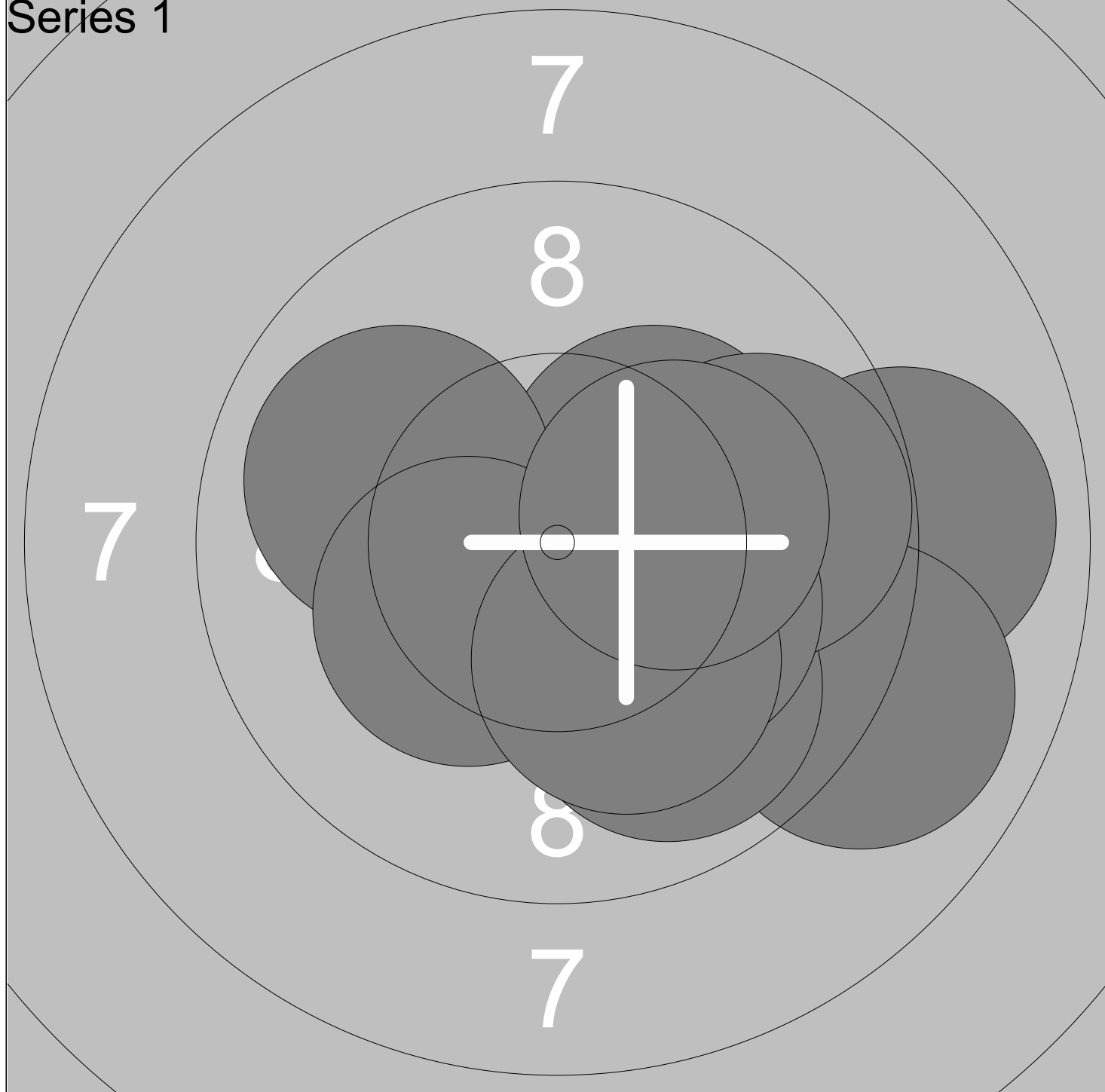


Relay 3	Lane 9	Anna Olesen		
Qual Day 3		DEN	WJ	R
11.02.2026		Denmark Open Air 2026	Denmark Open Air 2026	
DNF				

Series 1

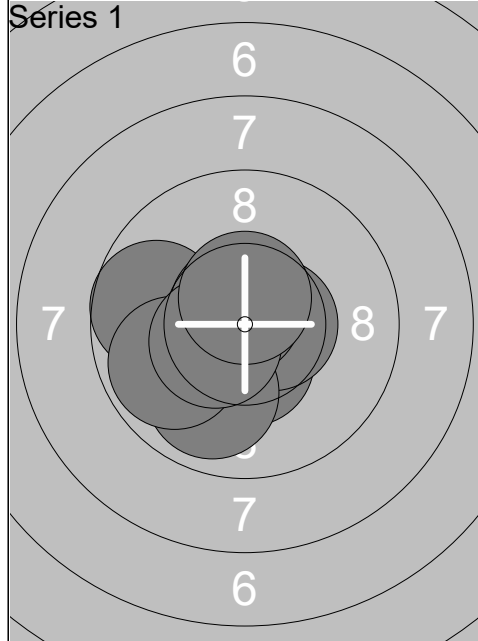


1: 10.3x ↗	6: 9.9 ↘	Series	98.9
2: 10.0 ↖	7: 9.8 →		
3: 9.0 →	8: 10.2x ↘	98.9	
4: 9.0 ↘	9: 10.2x ↘		
5: 10.3x ↙	10: 10.2x →		

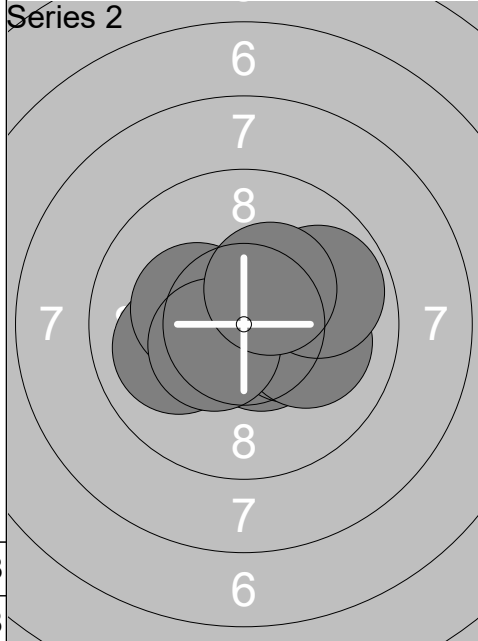
Relay 3	Lane 11	Frida Isaksen
-------------------	-------------------	----------------------

Qual Day 3	DEN	WJ	R
------------	-----	----	---

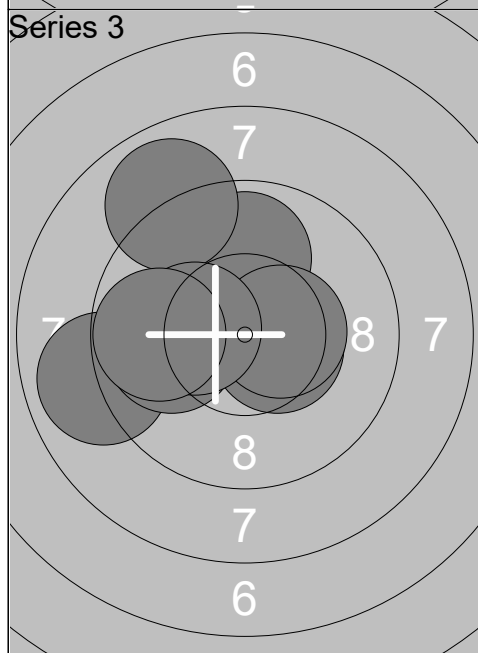
11.02.2026	Denmark Open Air 2026	Denmark Open Air 2026
------------	-----------------------	-----------------------



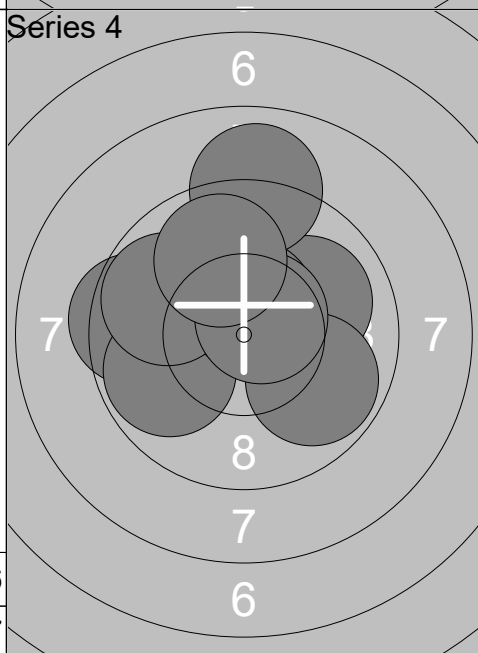
1:	9.7	←
2:	10.5x	↓
3:	10.8x	←
4:	10.6x	↙
5:	10.6x	→
6:	10.7x	↗
7:	9.9	↓
8:	9.9	←
9:	10.5x	↙
10:	10.6x	↑
Series	103.8	
	103.8	



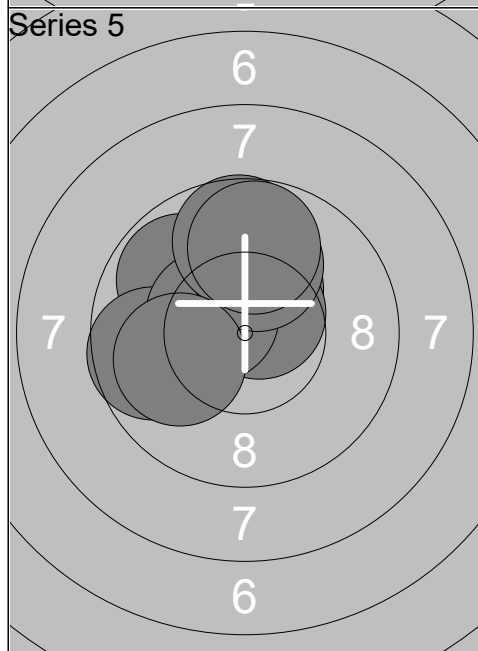
1:	10.6x	→
2:	10.6x	↘
3:	10.0	←
4:	10.7x	→
5:	10.3x	←
6:	10.3x	→
7:	10.1	→
8:	9.9	→
9:	10.5x	↙
10:	10.3x	↗
Series	103.3	
	207.1	



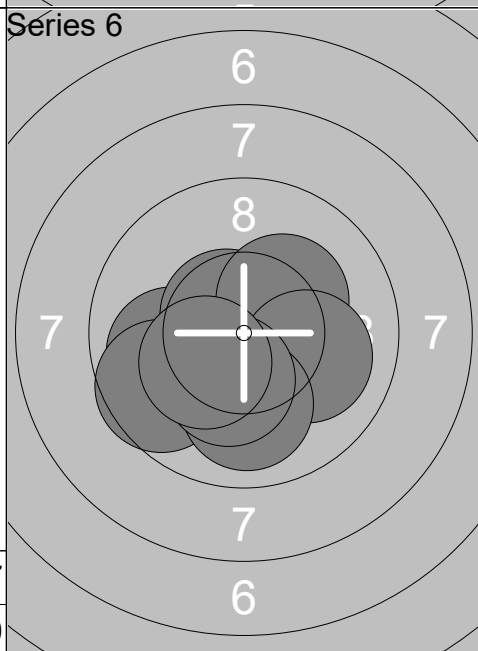
1:	9.9	↑
2:	8.9	←
3:	10.0	↑
4:	9.9	↑
5:	9.9	←
6:	10.5x	→
7:	8.9	↗
8:	10.5x	→
9:	10.3x	←
10:	9.8	←
Series	98.6	
	305.7	



1:	10.5x	↑
2:	9.5	←
3:	10.0	→
4:	9.9	↘
5:	9.8	←
6:	10.6x	↑
7:	9.0	↑
8:	9.8	←
9:	10.6x	↗
10:	9.9	↑
Series	99.6	
	405.3	

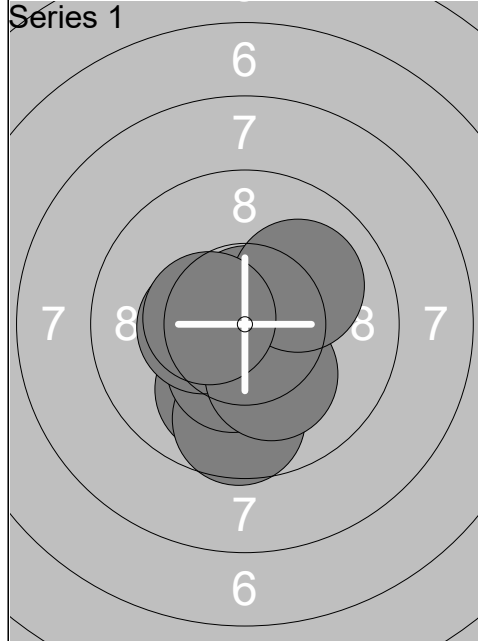


1:	10.3x	↑
2:	10.2x	↑
3:	9.9	↖
4:	10.6x	↗
5:	9.7	←
6:	10.5x	↖
7:	10.0	↑
8:	9.7	↑
9:	10.0	←
10:	9.8	↑
Series	100.7	
	506.0	

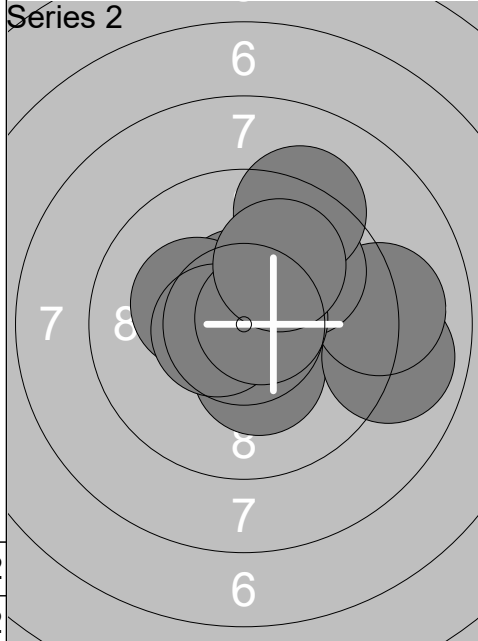


1:	10.0	←
2:	10.6x	↙
3:	10.6x	↖
4:	10.5x	→
5:	9.6	←
6:	10.3x	↗
7:	10.1	→
8:	10.0	↓
9:	10.3x	↓
10:	10.3x	↙
Series	102.3	
	608.3	

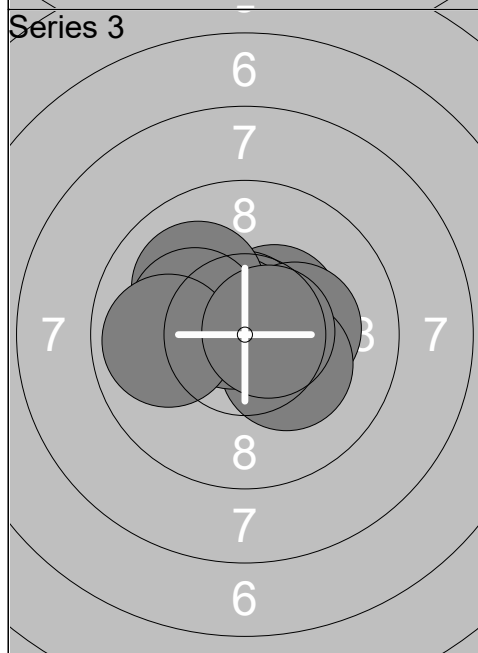
Relay	Lane	Ida Reitz		
Qual Day 3		DEN	WJ	R
11.02.2026		Denmark Open Air 2026	Denmark Open Air 2026	
Series 1 	1: 10.5x ↗	Series 2 	1: 10.8x ↖	
	2: 8.5 ↘		2: 10.2x ↖	
	3: 9.4 ↘		3: 10.6x ↙	
	4: 10.8x ↓		4: 10.0 ↖	
	5: 10.2x ↗		5: 10.3x ↖	
	6: 10.7x ↖		6: 9.5 →	
	7: 9.9 ↑		7: 10.6x →	
	8: 9.4 ←		8: 10.5x ↗	
	9: 10.2x →		9: 10.8x ↘	
	10: 10.6x ↖		10: 10.6x →	
	Series 100.2	Series 103.9		
	100.2	204.1		
Series 3 	1: 10.2x ↘	Series 4 	1: 10.1 ←	
	2: 10.5x ↗		2: 9.2 ↑	
	3: 10.3x ↙		3: 8.4 →	
	4: 9.9 ↗		4: 10.2x ↘	
	5: 10.2x ↘		5: 10.5x ↙	
	6: 10.7x ↓		6: 9.5 →	
	7: 9.7 ↑		7: 10.0 →	
	8: 10.5x ↘		8: 10.4x ↗	
	9: 10.5x ↘		9: 9.7 ↗	
	10: 10.5x ↖		10: 9.5 ↖	
	Series 103.0	Series 97.5		
	307.1	404.6		
Series 5 	1: 10.5x ↙	Series 6 	1: 10.2x ↙	
	2: 10.2x ↖		2: 9.6 ↗	
	3: 10.6x ↗		3: 9.9 ↖	
	4: 10.3x →		4: 10.5x ↓	
	5: 9.8 ↘		5: 9.3 →	
	6: 10.6x ↗		6: 10.7x ↑	
	7: 10.2x →		7: 10.5x ↖	
	8: 9.9 ↘		8: 9.8 ↑	
	9: 10.1 ↖		9: 10.0 →	
	10: 10.2x ↘		10: 10.6x ↑	
	Series 102.4	Series 101.1		
	507.0	608.1		



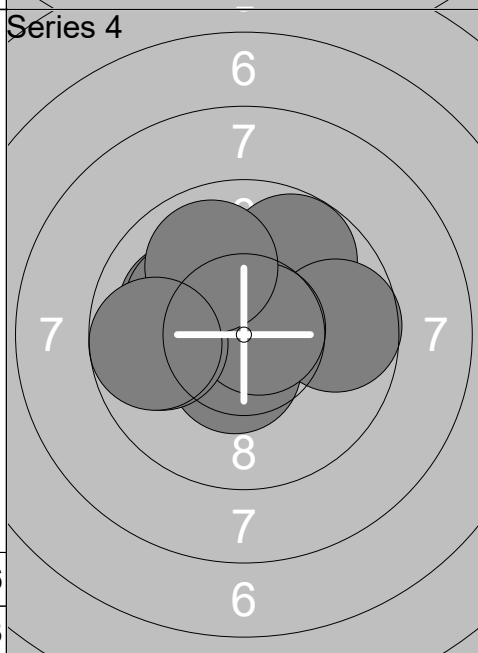
1:	10.0	↓
2:	9.7	↓
3:	10.4x	↓
4:	10.7x	↓
5:	10.4x	↓
6:	10.8x	↑
7:	10.4x	←
8:	10.2x	↓
9:	10.1	↗
10:	10.5x	←
Series	103.2	
	103.2	



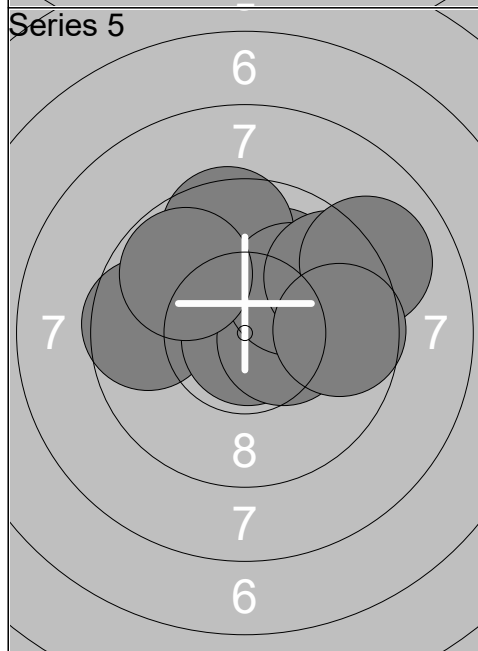
1:	10.3x	↓
2:	8.9	→
3:	10.6x	↑
4:	10.2x	↖
5:	9.1	→
6:	9.9	↗
7:	10.6x	←
8:	9.2	↑
9:	10.7x	→
10:	10.0	↑
Series	99.5	
	202.7	



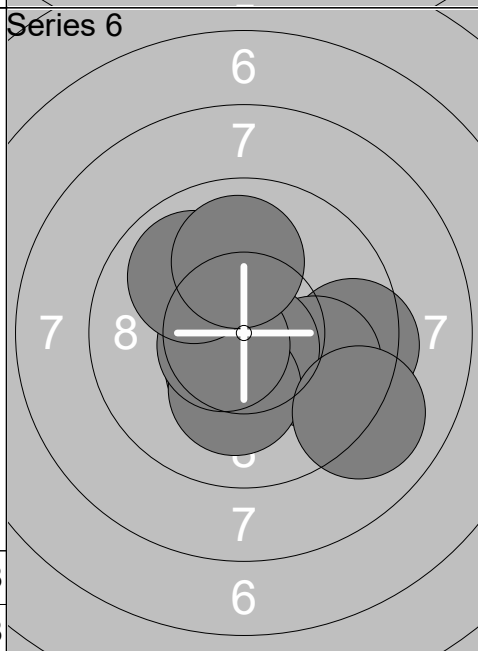
1:	10.5x	↖
2:	10.4x	↗
3:	10.7x	↑
4:	10.3x	→
5:	10.3x	↓
6:	10.7x	↖
7:	10.0	↗
8:	10.2x	↖
9:	9.9	←
10:	10.6x	→
Series	103.6	
	306.3	



1:	10.3x	↑
2:	10.5x	↓
3:	10.1	↖
4:	10.1	↖
5:	9.8	↑
6:	9.7	→
7:	10.7x	→
8:	9.8	←
9:	9.9	↑
10:	9.8	←
Series	100.7	
	407.0	



1:	9.6	←
2:	10.0	↗
3:	10.9x	↓
4:	9.6	↑
5:	10.4x	→
6:	10.1	↗
7:	9.8	↖
8:	9.6	↗
9:	9.1	↗
10:	9.7	→
Series	98.8	
	505.8	



1:	10.6x	↓
2:	9.5	→
3:	9.9	→
4:	10.5x	↓
5:	10.7x	↓
6:	10.2x	↓
7:	10.6x	↖
8:	9.0	↘
9:	9.9	↗
10:	10.0	↑
Series	100.9	
	606.7	

Relay	Lane	Laura Bødtker		
3	15	DEN	WJ	R
Qual Day 3		Denmark Open Air 2026		Denmark Open Air 2026
11.02.2026		Denmark Open Air 2026		Denmark Open Air 2026
Series 1 	1: 9.8 ↖	Series 2 	1: 10.8x ↗	
	2: 10.7x ↗		2: 10.1 ↘	
	3: 10.8x →		3: 10.2x ↓	
	4: 10.4x ↑		4: 10.3x ↗	
	5: 10.4x ↖		5: 9.7 ↘	
	6: 10.5x ↓		6: 10.9x →	
	7: 10.4x ↗		7: 9.9 ←	
	8: 10.5x ↑		8: 10.8x →	
	9: 10.2x ↗		9: 10.5x ↑	
	10: 10.1 ↓		10: 9.9 ↓	
	Series 103.8		Series 103.1	
	103.8		206.9	
Series 3 	1: 10.4x →	Series 4 	1: 10.2x ↗	
	2: 9.6 ↘		2: 10.1 →	
	3: 10.7x ↗		3: 10.6x ↓	
	4: 10.3x ↘		4: 10.4x →	
	5: 10.3x ↓		5: 10.7x ↘	
	6: 10.9x		6: 10.4x ↗	
	7: 10.2x ↓		7: 10.6x →	
	8: 10.1 ←		8: 10.3x ↗	
	9: 9.5 →		9: 10.4x ↓	
	10: 10.5x ↗		10: 10.5x ↓	
	Series 102.5		Series 104.2	
	309.4		413.6	
Series 5 	1: 10.1 ↓	Series 6 	1: 10.4x ↑	
	2: 9.7 ↓		2: 10.2x ↖	
	3: 10.2x ↗		3: 9.5 ↑	
	4: 9.3 ←		4: 9.8 ↑	
	5: 10.3x ↓		5: 10.1 →	
	6: 10.5x ↓		6: 10.5x →	
	7: 10.0 ↘		7: 10.2x →	
	8: 10.1 ↑		8: 10.5x ↓	
	9: 9.8 ↘		9: 10.0 ↗	
	10: 9.6 ↖		10: 10.8x ↖	
	Series 99.6		Series 102.0	
	513.2		615.2	

Relay	Lane	Linnea Schützer		
3	16	NOR	WJ	R
Qual Day 3		Denmark Open Air 2026		Denmark Open Air 2026
11.02.2026				
Series 1 	1: 10.8x →	Series 2 	1: 10.7x ↘	
	2: 8.9 →		2: 9.7 ↖	
	3: 10.4x →		3: 9.8 ←	
	4: 10.1 →		4: 10.6x →	
	5: 9.6 ↑		5: 10.6x →	
	6: 10.6x ↑		6: 10.5x ↙	
	7: 10.3x ↙		7: 9.6 ↗	
	8: 10.5x ↑		8: 9.4 ←	
	9: 10.0 ↑		9: 9.7 ↗	
	10: 10.1 ↑		10: 10.1 ↘	
	Series 101.3		Series 100.7	
	101.3		202.0	
Series 3 	1: 10.4x ↘	Series 4 	1: 10.1 →	
	2: 10.5x ↑		2: 10.5x ↖	
	3: 10.6x ←		3: 10.0 →	
	4: 10.4x ↗		4: 10.1 ↘	
	5: 10.5x ↘		5: 10.0 ↖	
	6: 10.6x ↘		6: 10.3x →	
	7: 10.7x ←		7: 10.9x ↖	
	8: 9.9 ↘		8: 9.5 ↗	
	9: 10.5x ↗		9: 9.2 ↗	
	10: 10.2x ↗		10: 10.4x ←	
	Series 104.3		Series 101.0	
	306.3		407.3	
Series 5 	1: 10.6x ←	Series 6 	1: 10.2x ↖	
	2: 10.2x ↘		2: 9.0 →	
	3: 10.2x ↘		3: 9.8 ↗	
	4: 10.7x ↘		4: 10.4x ←	
	5: 9.7 ←		5: 10.0 →	
	6: 10.0 ←		6: 10.1 ↗	
	7: 10.7x ↘		7: 9.9 ←	
	8: 10.4x ↑		8: 10.5x →	
	9: 10.5x →		9: 10.5x ←	
	10: 10.8x →		10: 10.0 ↘	
	Series 103.8		Series 100.4	
	511.1		611.5	

Relay	Lane	Nicoline Rahr		
3	17	DEN	WJ	R
Qual Day 3		Denmark Open Air 2026		Denmark Open Air 2026
11.02.2026				
Series 1 	1: 9.5 ←	Series 2 	1: 10.5x ↗	
	2: 10.1 ↗		2: 10.0 ←	
	3: 10.4x ↗		3: 10.1 ➔	
	4: 10.3x ←		4: 10.0 ↖	
	5: 9.8 ←		5: 10.3x ↗	
	6: 10.4x ↖		6: 10.7x ↙	
	7: 10.5x ↖		7: 9.7 ←	
	8: 10.1 ↖		8: 10.2x ←	
	9: 10.6x ↙		9: 10.8x ↗	
	10: 10.4x ↑		10: 10.1 ↖	
	Series 102.1		Series 102.4	
	102.1		204.5	
Series 3 	1: 10.8x ↙	Series 4 	1: 10.5x ↖	
	2: 10.4x ↖		2: 10.5x ↖	
	3: 10.6x ↑		3: 10.7x ↗	
	4: 9.8 ←		4: 10.6x ←	
	5: 10.6x ↖		5: 10.4x ↙	
	6: 10.8x ↖		6: 10.6x ↖	
	7: 10.8x ↙		7: 9.1 ←	
	8: 10.1 ↗		8: 9.4 ←	
	9: 10.7x ➔		9: 10.0 ←	
	10: 10.4x ↓		10: 10.6x ↖	
	Series 105.0		Series 102.4	
	309.5		411.9	
Series 5 	1: 10.5x ↑	Series 6 	1: 10.3x ↖	
	2: 10.6x ↓		2: 10.8x ↑	
	3: 10.3x ↖		3: 10.6x ↑	
	4: 9.7 ↗		4: 9.8 ←	
	5: 10.2x ↘		5: 10.8x ↙	
	6: 10.9x ↘		6: 10.5x ↓	
	7: 10.0 ↓		7: 10.6x ↑	
	8: 10.2x ➔		8: 10.7x ↗	
	9: 10.4x ➔		9: 10.7x ↙	
	10: 10.6x ↖		10: 10.2x ➔	
	Series 103.4		Series 105.0	
	515.3		620.3	

Series 1

1: 9.0 →
2: 7.2 ↘
3: 9.5 ←
4: 9.5 ↙
5: 4.8 ↘
6: 10.2x ↘
7: 9.7 ↘
8: 9.4 ↙
9: 9.9 ↘
10: 8.4 →
Series 87.6
87.6

Series 2

1: 8.8 ←
2: 8.1 ↘
3: 9.3 ↘
4: 9.7 ↘
5: 7.7 ↘
6: 7.7 ↘
7: 8.5 ↘
8: 9.6 ←
9: 8.1 ↘
10: 9.2 ↘
Series 86.7
174.3

Series 3

1: 8.7 ←
2: 9.9 ↗
3: 9.4 ↘
4: 10.4x ↗
5: 10.6x ↘
6: 9.6 ↘
7: 9.3 ←
8: 9.2 ↘
9: 10.1 ↘
10: 9.3 ↘
Series 96.5
270.8

Series 4

1: 8.5 ↘
2: 9.8 →
3: 8.4 →
4: 8.4 ↘
5: 8.6 ↘
6: 10.0 →
7: 10.0 ↘
8: 9.8 ↗
9: 10.1 ↗
10: 8.6 ↘
Series 92.2
363.0

Series 5

1: 9.5 ↙
2: 9.7 ↘
3: 10.4x →
4: 9.7 ↘
5: 9.5 ←
6: 8.6 ↘
7: 10.8x ←
8: 10.4x ↗
9: 10.6x →
10: 9.1 ↘
Series 98.3
461.3

Series 6

1: 10.1 ↘
2: 9.1 ↘
3: 7.9 →
4: 10.1 ↗
5: 10.2x ↘
6: 9.4 ↘
7: 9.5 ↗
8: 9.7 ←
9: 7.7 ←
10: 10.5x ↖
Series 94.2
555.5

Series 5

1: 9.5 ↙
2: 9.7 ↘
3: 10.4x →
4: 9.7 ↘
5: 9.5 ←
6: 8.6 ↘
7: 10.8x ←
8: 10.4x ↗
9: 10.6x →
10: 9.1 ↘
Series 98.3
461.3

Series 6

1: 10.1 ↘
2: 9.1 ↘
3: 7.9 →
4: 10.1 ↗
5: 10.2x ↘
6: 9.4 ↘
7: 9.5 ↗
8: 9.7 ←
9: 7.7 ←
10: 10.5x ↖
Series 94.2
555.5

Series 5

1: 9.5 ↙
2: 9.7 ↘
3: 10.4x →
4: 9.7 ↘
5: 9.5 ←
6: 8.6 ↘
7: 10.8x ←
8: 10.4x ↗
9: 10.6x →
10: 9.1 ↘
Series 98.3
461.3

Series 6

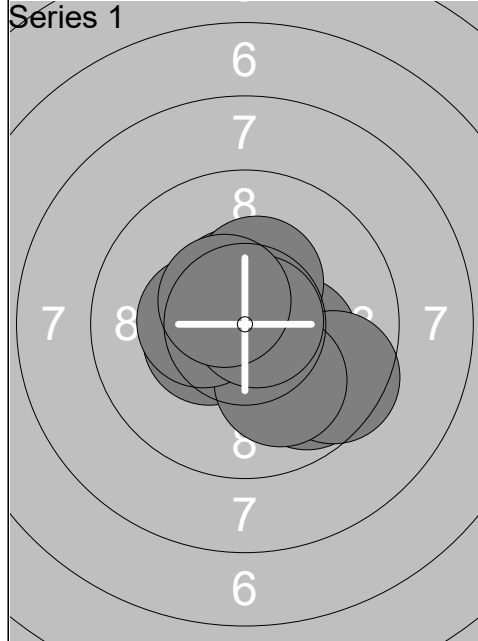
1: 10.1 ↘
2: 9.1 ↘
3: 7.9 →
4: 10.1 ↗
5: 10.2x ↘
6: 9.4 ↘
7: 9.5 ↗
8: 9.7 ←
9: 7.7 ←
10: 10.5x ↖
Series 94.2
555.5

Series 5

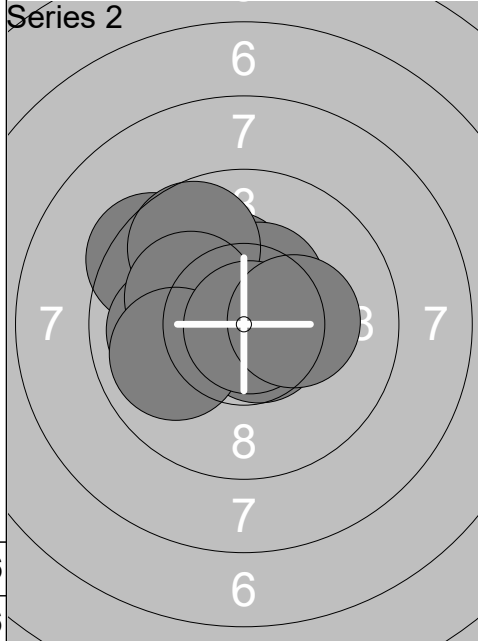
1: 9.5 ↙
2: 9.7 ↘
3: 10.4x →
4: 9.7 ↘
5: 9.5 ←
6: 8.6 ↘
7: 10.8x ←
8: 10.4x ↗
9: 10.6x →
10: 9.1 ↘
Series 98.3
461.3

Series 6

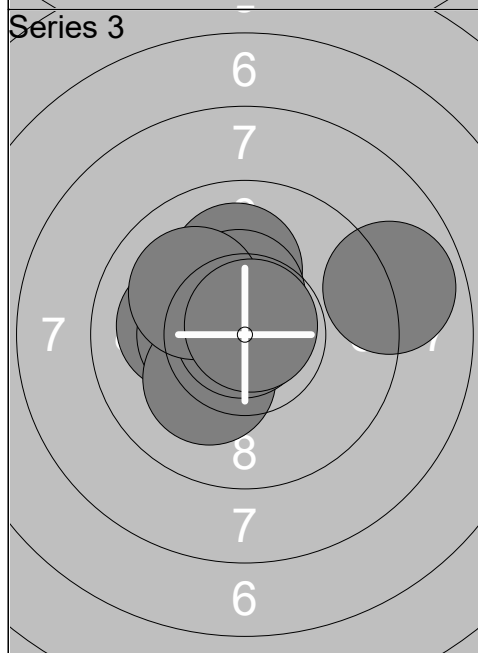
1: 10.1 ↘
2: 9.1 ↘
3: 7.9 →
4: 10.1 ↗
5: 10.2x ↘
6: 9.4 ↘
7: 9.5 ↗
8: 9.7 ←
9: 7.7 ←
10: 10.5x ↖
Series 94.2
555.5



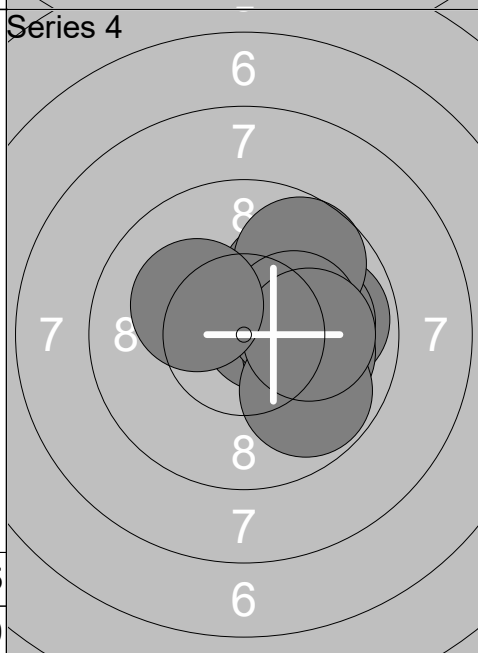
1:	9.8 ↘
2:	10.4x ←
3:	10.3x →
4:	9.5 ↘
5:	10.0 ↘
6:	10.5x ↑
7:	10.4x ←
8:	10.4x ↑
9:	10.8x →
10:	10.5x ↖
Series	102.6
	102.6



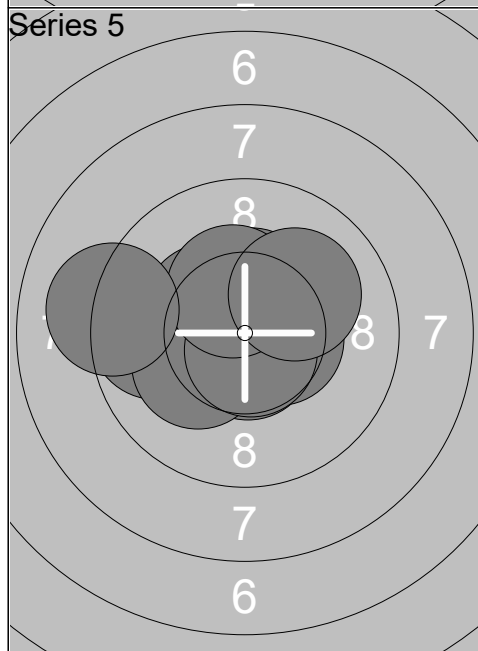
1:	10.7x ↘
2:	9.4 ↖
3:	10.3x ↑
4:	10.4x ↑
5:	10.0 ←
6:	9.7 ↖
7:	10.2x ←
8:	10.0 ←
9:	10.9x ↘
10:	10.3x →
Series	101.9
	204.5



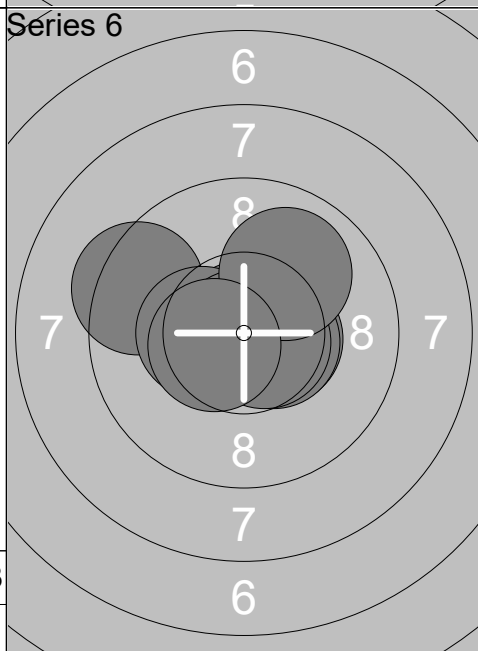
1:	8.9 →
2:	10.6x ←
3:	10.1 ←
4:	10.4x ←
5:	10.1 ↑
6:	10.2x ↘
7:	10.9x ↖
8:	10.4x ↑
9:	10.1 ↖
10:	10.8x ↗
Series	102.5
	307.0



1:	10.1 ↗
2:	10.6x →
3:	9.9 →
4:	10.1 →
5:	10.1 →
6:	9.7 ↗
7:	10.2x →
8:	9.8 ↘
9:	10.1 →
10:	10.2x ↖
Series	100.8
	407.8



1:	10.7x ↓
2:	10.4x ↑
3:	9.8 ←
4:	10.4x ↖
5:	10.2x ←
6:	10.5x →
7:	10.7x ↓
8:	10.4x ↑
9:	10.1 ↗
10:	9.1 ←
Series	102.3
	510.1

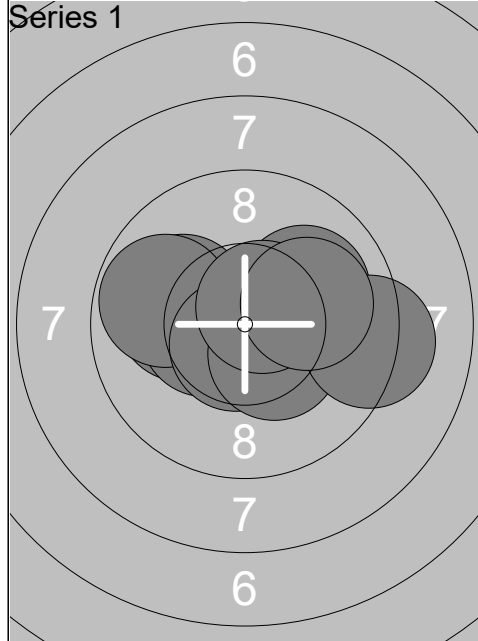


1:	9.4 ↖
2:	10.5x →
3:	10.6x ←
4:	10.9x ↑
5:	10.4x ←
6:	10.9x ↘
7:	10.5x →
8:	10.6x →
9:	10.0 ↗
10:	10.5x ←
Series	104.3
	614.4

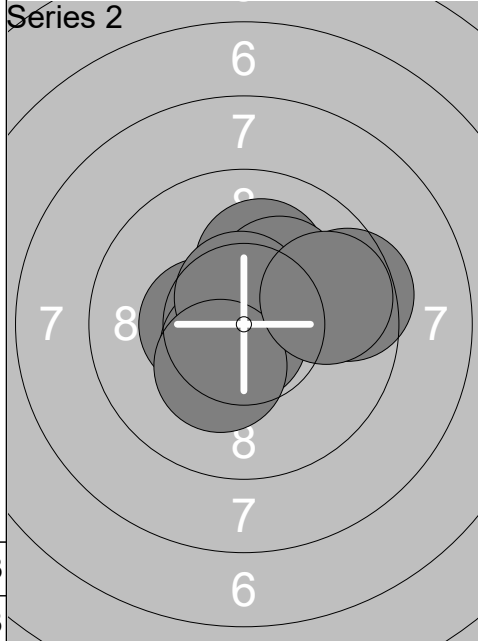
Relay	Lane	Annabelle Borved		
3	20			
Qual Day 3		DEN	WJ	R
11.02.2026		Denmark Open Air 2026	Denmark Open Air 2026	
Series 1 	1: 10.0 ↗	Series 2 	1: 10.2x ↖	
	2: 10.2x ←		2: 9.8 ↖	
	3: 10.5x ↗		3: 10.2x ➤	
	4: 9.7 ↙		4: 10.6x ↑	
	5: 10.2x ➔		5: 10.3x ↗	
	6: 10.3x ↑		6: 10.7x ←	
	7: 10.5x ↖		7: 10.7x ↓	
	8: 10.2x ↗		8: 10.5x ↓	
	9: 10.0 ↗		9: 10.1 ↗	
	10: 10.5x ↘		10: 10.3x ➔	
	Series 102.1		Series 103.4	
	102.1		205.5	
Series 3 	1: 10.8x ↗	Series 4 	1: 10.7x ➤	
	2: 10.7x ↘		2: 9.7 ➔	
	3: 9.0 ↓		3: 10.4x ↘	
	4: 10.1 ➔		4: 10.3x ↙	
	5: 9.7 ↘		5: 10.7x ↖	
	6: 9.9 ↘		6: 10.3x ↑	
	7: 10.6x ←		7: 10.0 ←	
	8: 10.6x ➤		8: 10.1 ↖	
	9: 10.4x ↓		9: 9.9 ←	
	10: 10.8x ↘		10: 10.7x ↗	
	Series 102.6		Series 102.8	
	308.1		410.9	
Series 5 	1: 10.1 ↗	Series 6 	1: 10.7x ↑	
	2: 8.7 ↗		2: 10.6x ↙	
	3: 10.7x ➤		3: 9.7 ➔	
	4: 10.1 ←		4: 10.6x ↖	
	5: 10.4x ↑		5: 9.9 ↗	
	6: 10.0 ↖		6: 10.6x ↙	
	7: 10.1 ←		7: 9.6 ↗	
	8: 10.4x ↓		8: 10.1 ↑	
	9: 10.1 ↓		9: 10.6x ↙	
	10: 9.6 ➔		10: 10.3x ↗	
	Series 100.2		Series 102.7	
	511.1		613.8	

Relay	Lane	Cecilie Bugge Deichmann			
3	21	DEN		WJ	R
11.02.2026		Denmark Open Air 2026		Denmark Open Air 2026	
Series 1 	2	1: 9.2 ↙	Series 2 	1: 9.6 ↗	
	3	2: 7.5 ←		2: 10.3x ←	
	4	3: 9.8 ↓		3: 8.3 ↙	
	5	4: 10.2x ↗		4: 8.6 ←	
	6	5: 10.2x ←		5: 9.9 ↗	
	7	6: 10.3x →		6: 8.8 ↖	
	8	7: 9.9 ↓		7: 10.6x ↓	
	7	8: 9.8 ↓		8: 10.2x ←	
	6	9: 8.9 ↓		9: 10.6x ←	
	5	10: 10.2x ↖		10: 9.9 ↑	
Series 96.0		Series 96.8			
96.0		192.8			
Series 3 	6	1: 10.8x ↓	Series 4 	1: 10.8x ↓	
	7	2: 9.8 ←		2: 10.2x ↓	
	8	3: 10.1 ←		3: 8.9 →	
	8	4: 9.9 ←		4: 9.1 →	
	7	5: 9.6 ↖		5: 10.0 ↗	
	7	6: 9.0 ↗		6: 9.9 ↓	
	8	7: 9.9 ↖		7: 9.9 →	
	7	8: 10.0 ←		8: 10.1 ←	
	6	9: 9.9 ↗		9: 9.0 →	
	6	10: 10.3x ↗		10: 9.8 ↗	
Series 99.3		Series 97.7			
292.1		389.8			
Series 5 	2	1: 10.1 ↗	Series 6 	1: 9.9 ↗	
	3	2: 10.2x ↗		2: 10.1 ↑	
	4	3: 9.5 ↗		3: 9.7 ↘	
	5	4: 7.7 ←		4: 9.0 ←	
	6	5: 10.1 ↖		5: 9.8 ↖	
	7	6: 9.6 ↘		6: 10.6x ↓	
	7	7: 8.2 ↗		7: 10.4x →	
	6	8: 9.8 ↓		8: 10.5x ↗	
	5	9: 9.1 ↓		9: 10.7x ↘	
	4	10: 10.0 ↓		10: 10.6x ↖	
Series 94.3		Series 101.3			
484.1		585.4			

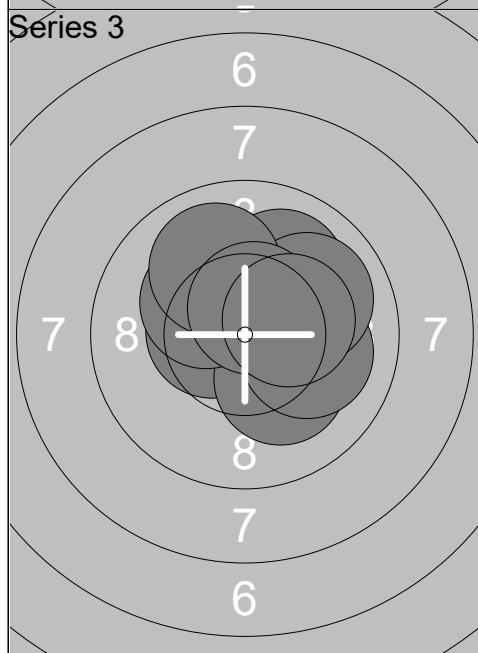
Relay	Lane	Elise Mutsaers			
3	22	NED		WJ	R
Qual Day 3		Denmark Open Air 2026		Denmark Open Air 2026	
11.02.2026					
Series 1 	1: 10.4x →	Series 2 	1: 10.6x →		
	2: 10.5x ←		2: 9.9 ↖		
	3: 8.9 ←		3: 9.9 ↑		
	4: 10.2x ↗		4: 10.9x		
	5: 10.6x ↑		5: 10.5x ↘		
	6: 10.5x ↘		6: 10.5x ↗		
	7: 9.7 ↗		7: 10.0 ←		
	8: 10.4x ↖		8: 10.8x ↘		
	9: 10.2x ↖		9: 10.1 ↓		
	10: 10.8x ↓		10: 10.5x ↗		
	Series 102.2		Series 103.7		
	102.2		205.9		
Series 3 	1: 10.4x →	Series 4 	1: 10.4x ↖		
	2: 9.6 ↓		2: 10.7x ↗		
	3: 10.3x ←		3: 10.0 ↑		
	4: 9.5 ↗		4: 10.2x →		
	5: 10.7x ↘		5: 10.1 ←		
	6: 10.1 ↗		6: 9.9 →		
	7: 9.8 ↘		7: 10.0 ↘		
	8: 9.6 →		8: 10.4x ↗		
	9: 9.5 ↗		9: 10.8x →		
	10: 10.0 ↖		10: 9.7 →		
	Series 99.5		Series 102.2		
	305.4		407.6		
Series 5 	1: 10.1 ←	Series 6 	1: 10.4x →		
	2: 10.3x ↖		2: 9.6 →		
	3: 9.8 ↓		3: 10.2x ↘		
	4: 10.5x ↖		4: 9.8 →		
	5: 10.2x ↖		5: 9.7 ←		
	6: 9.9 ↖		6: 9.9 ←		
	7: 10.4x →		7: 10.3x ↘		
	8: 10.3x ↘		8: 9.5 ←		
	9: 10.6x ↘		9: 10.7x ↖		
	10: 10.3x →		10: 10.4x ↖		
	Series 102.4		Series 100.5		
	510.0		610.5		



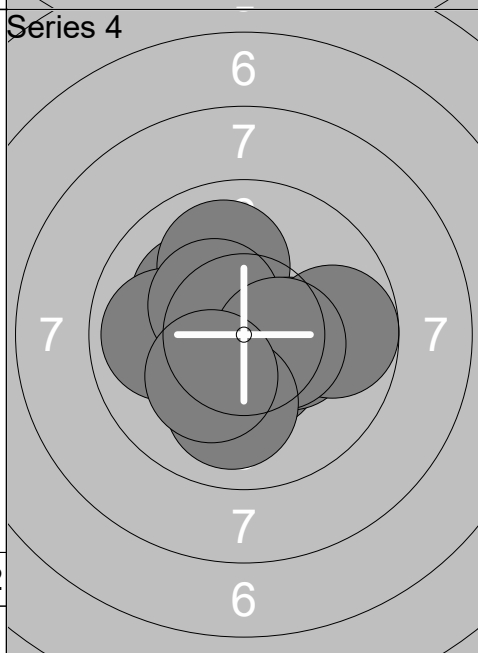
1:	10.1	←
2:	10.1	←
3:	10.4x	←
4:	9.8	←
5:	10.6x	↓
6:	10.0	↗
7:	10.4x	↘
8:	9.2	→
9:	10.6x	↗
10:	10.1	→
Series	101.3	
	101.3	



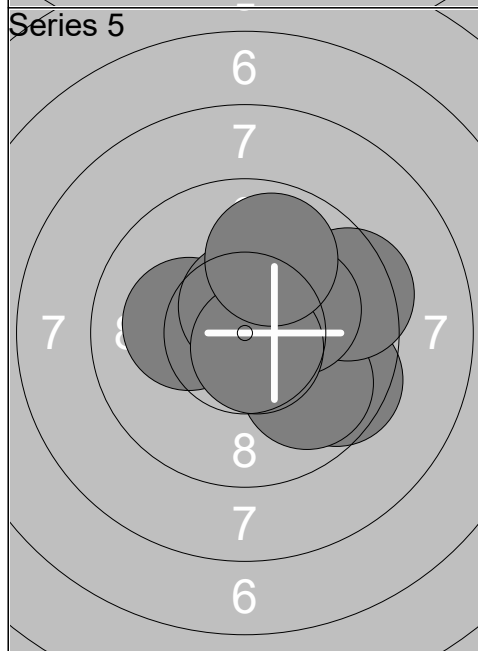
1:	10.3x	↗
2:	9.5	→
3:	10.1	↗
4:	10.4x	←
5:	10.6x	↓
6:	10.2x	↗
7:	10.8x	↓
8:	10.6x	↑
9:	10.3x	↘
10:	9.8	→
Series	102.6	
	203.9	



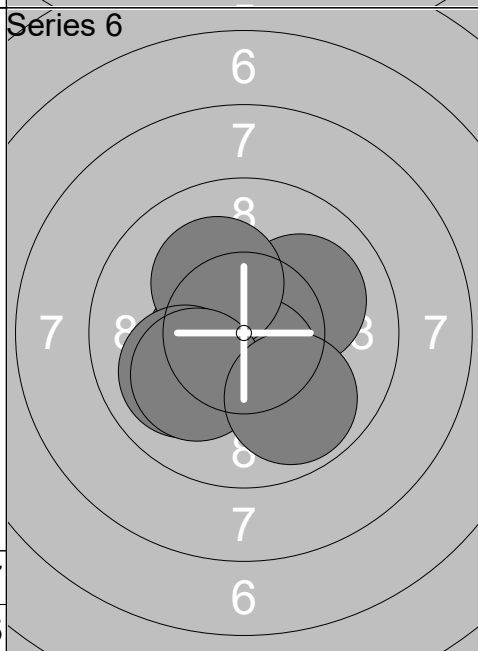
1:	10.5x	←
2:	10.2x	↗
3:	10.2x	↘
4:	10.0	↗
5:	10.1	→
6:	10.3x	↖
7:	10.0	↗
8:	10.0	↖
9:	10.6x	↗
10:	10.3x	→
Series	102.2	
	306.1	



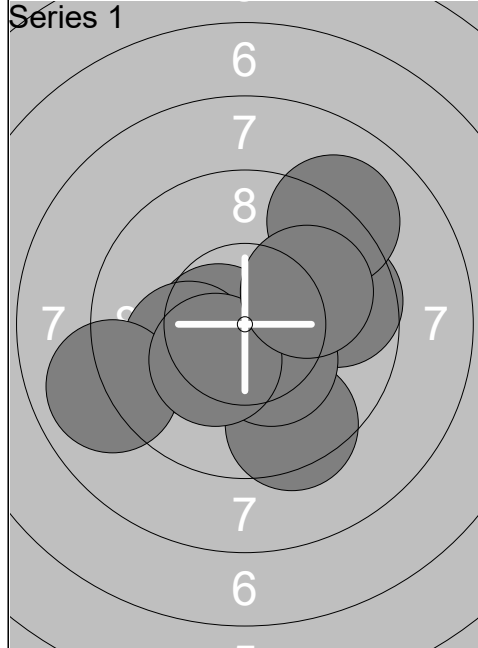
1:	10.2x	↖
2:	10.0	↖
3:	10.5x	↘
4:	10.3x	→
5:	9.9	←
6:	9.8	→
7:	10.4x	↖
8:	10.4x	→
9:	10.0	↓
10:	10.2x	↘
Series	101.7	
	407.8	



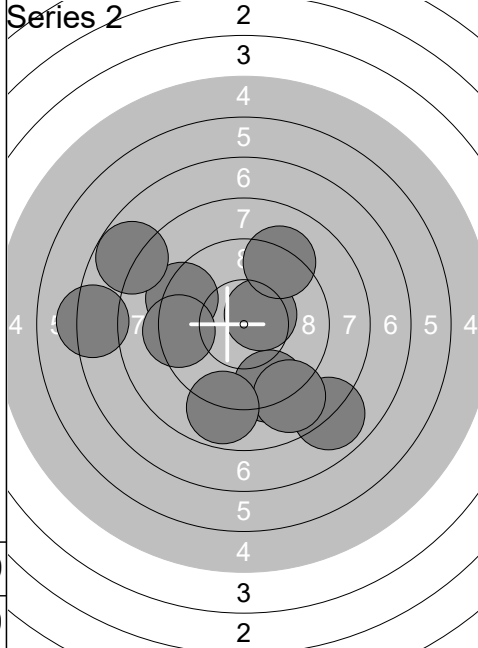
1:	9.5	→
2:	10.5x	→
3:	10.2x	←
4:	9.9	↘
5:	9.5	→
6:	10.7x	↗
7:	10.6x	↑
8:	10.2x	↗
9:	10.7x	↘
10:	9.9	↖
Series	101.7	
	509.5	



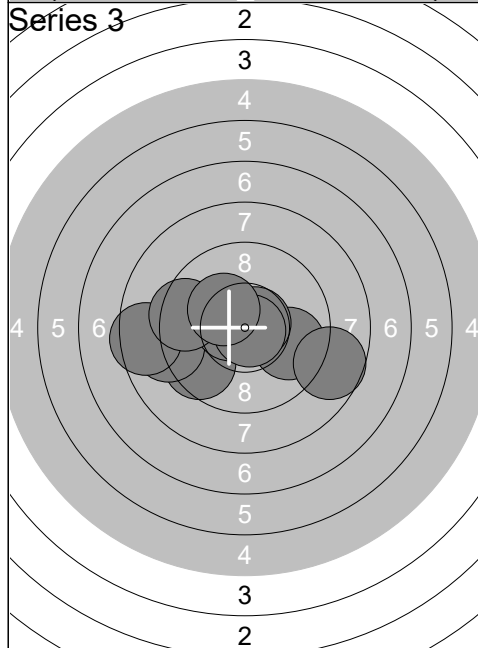
1:	10.6x	↓
2:	10.4x	↗
3:	10.5x	←
4:	10.1	↗
5:	10.6x	↘
6:	10.5x	↓
7:	10.2x	↖
8:	10.0	←
9:	10.1	↘
10:	9.9	↘
Series	102.9	
	612.4	



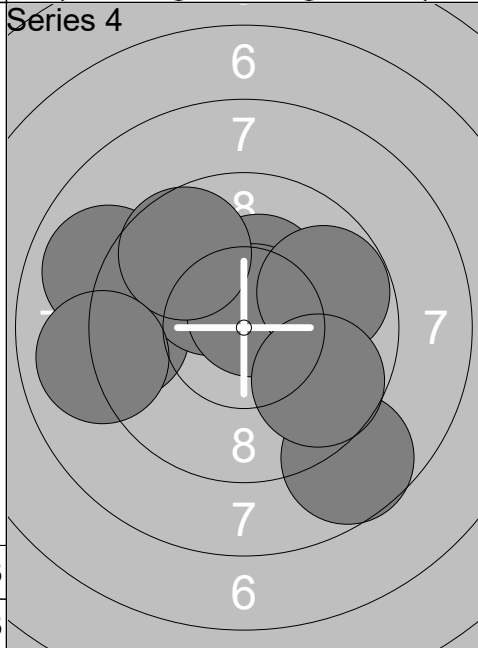
1:	9.7	→
2:	9.1	↗
3:	9.5	↓
4:	10.3x	↙
5:	10.6x	←
6:	10.1	←
7:	9.0	←
8:	10.3x	↘
9:	10.3x	↘
10:	10.0	↗
Series	98.9	
	98.9	



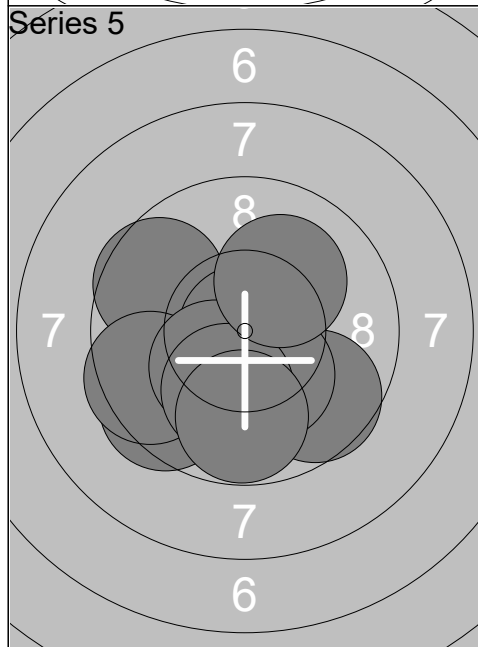
1:	9.3	↓
2:	10.5x	↗
3:	9.2	↗
4:	7.9	↘
5:	9.3	←
6:	7.7	↖
7:	8.9	↓
8:	9.3	←
9:	7.2	←
10:	8.8	↓
Series	88.1	
	187.0	



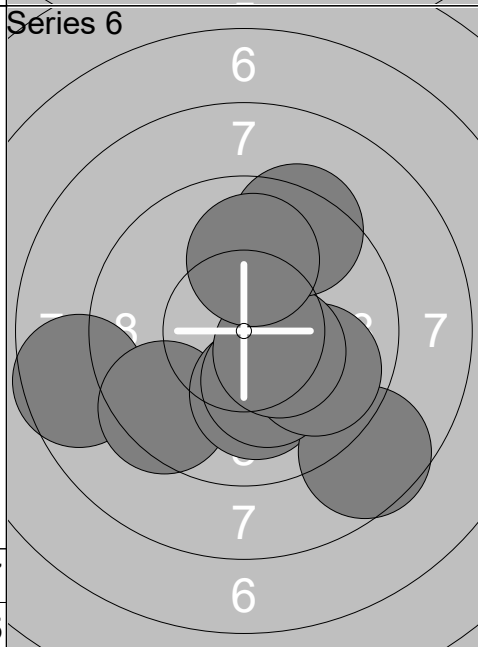
1:	9.8	→
2:	9.5	↙
3:	10.7x	↗
4:	8.7	→
5:	9.0	←
6:	10.6x	←
7:	8.5	←
8:	10.8x	↘
9:	9.4	←
10:	10.3x	↖
Series	97.3	
	284.3	



1:	9.3	←
2:	9.0	←
3:	10.3x	↖
4:	10.3x	↗
5:	10.7x	↗
6:	9.8	↗
7:	9.7	↗
8:	9.0	←
9:	8.7	↘
10:	9.7	↘
Series	96.5	
	380.8	



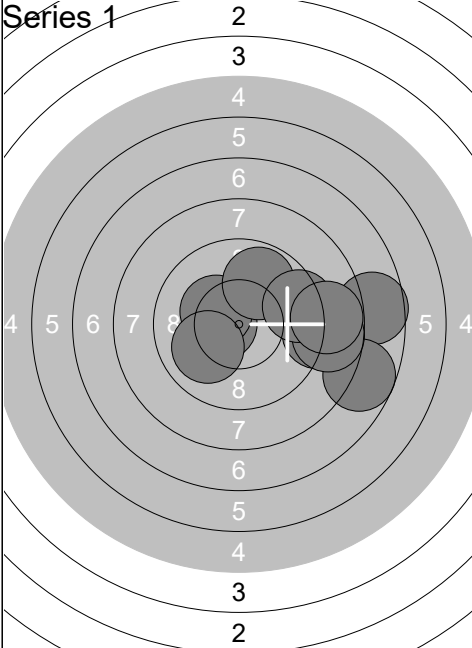
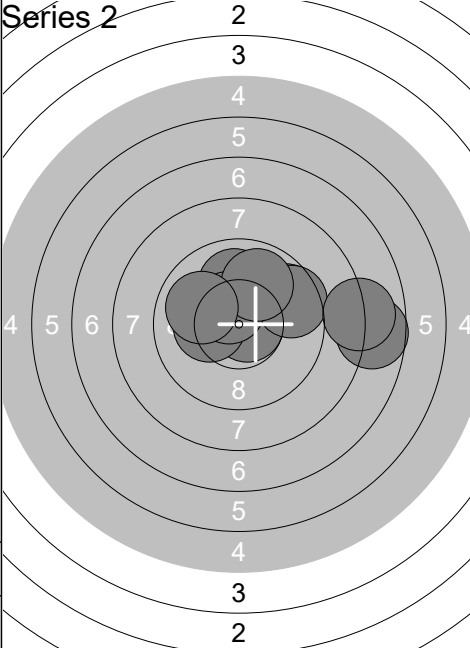
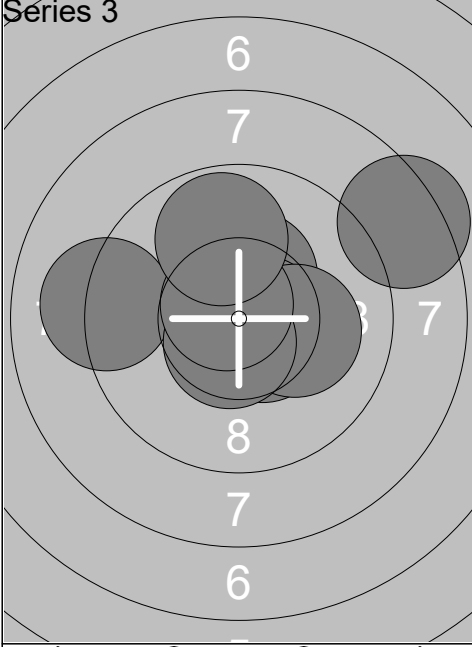
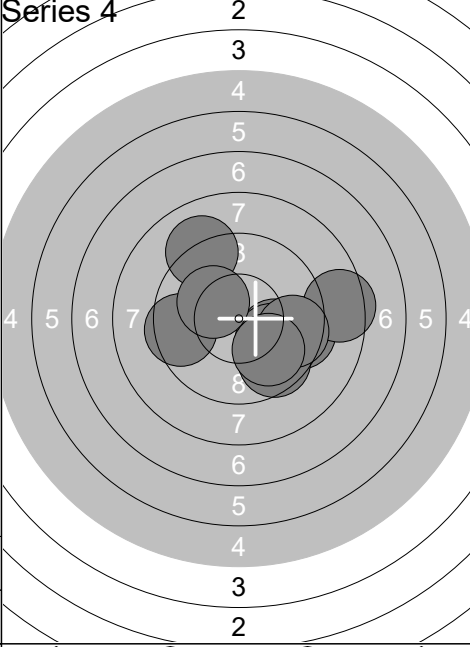
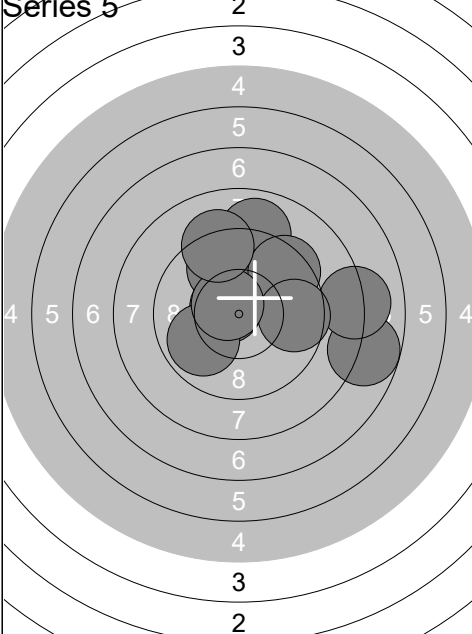
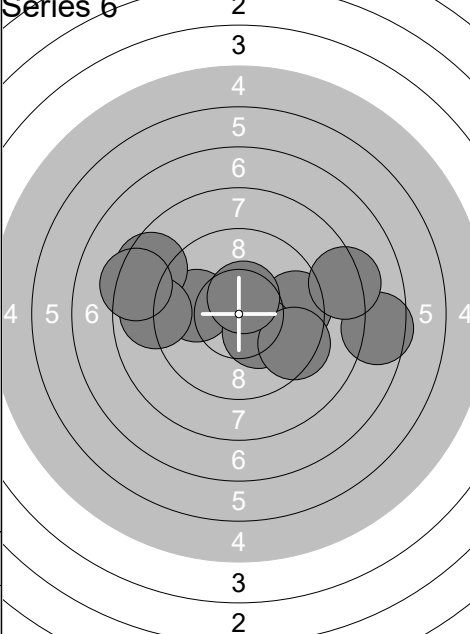
1:	9.6	↖
2:	9.5	↘
3:	10.9x	
4:	9.6	↘
5:	10.3x	↘
6:	9.5	←
7:	10.3x	↘
8:	10.1	↓
9:	9.8	↓
10:	10.1	↗
Series	99.7	
	480.5	

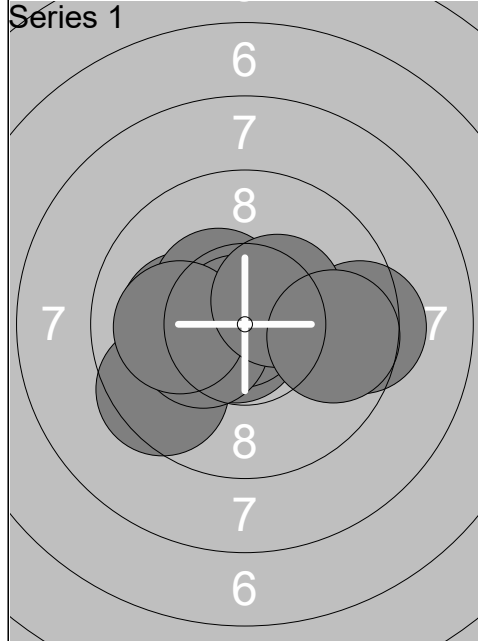


1:	10.3x	↘
2:	8.6	←
3:	9.5	↘
4:	10.1	↓
5:	8.6	↘
6:	10.2x	↘
7:	9.9	↘
8:	10.4x	↘
9:	9.4	↗
10:	10.0	↗
Series	97.0	
	577.5	

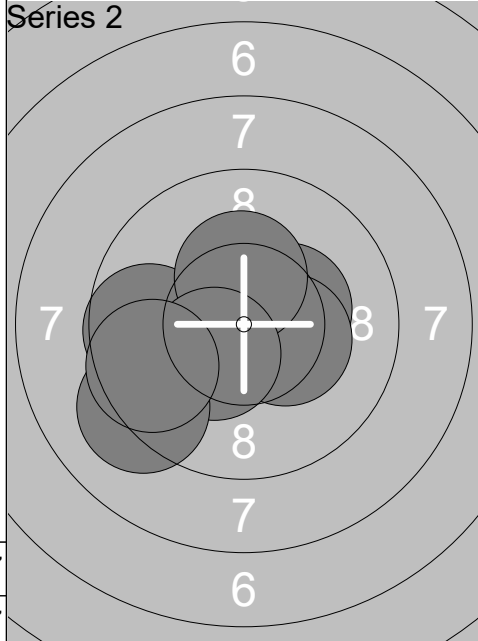
Relay	Lane	Hilde Skrede Valvik			
3	25	NOR		WJ	R
Qual Day 3		Denmark Open Air 2026		Denmark Open Air 2026	
11.02.2026					
Series 1 	1: 9.9 ↓	Series 2 	1: 10.5x ↙		
	2: 10.7x ↓		2: 9.5 ←		
	3: 9.1 ←		3: 10.0 ↘		
	4: 9.8 ↓		4: 10.0 →		
	5: 9.6 ↗		5: 9.3 →		
	6: 10.6x ↓		6: 10.6x ↙		
	7: 10.5x →		7: 10.0 ↗		
	8: 10.0 ↗		8: 10.2x ↑		
	9: 9.6 ↘		9: 8.0 →		
	10: 9.5 ←		10: 10.2x ↓		
	Series 99.3		Series 98.3		
	99.3		197.6		
Series 3 	1: 9.0 ←	Series 4 	1: 9.5 ←		
	2: 10.9x ↗		2: 9.7 ↓		
	3: 10.2x ↙		3: 10.5x ↑		
	4: 9.9 ←		4: 9.4 ↖		
	5: 10.2x →		5: 9.1 →		
	6: 8.8 ←		6: 9.8 ↗		
	7: 9.8 ↘		7: 9.3 ←		
	8: 9.4 ↗		8: 9.6 →		
	9: 10.0 ←		9: 10.0 ↓		
	10: 9.8 ↓		10: 10.3x ↖		
	Series 98.0		Series 97.2		
	295.6		392.8		
Series 5 	1: 10.5x ↓	Series 6 	1: 9.7 →		
	2: 10.1 ↗		2: 10.7x ↖		
	3: 8.8 ←		3: 9.7 →		
	4: 10.2x ↘		4: 9.8 ↓		
	5: 10.1 ↗		5: 10.3x ↙		
	6: 9.6 ↖		6: 9.1 →		
	7: 10.3x ↙		7: 9.6 ←		
	8: 10.2x ↖		8: 8.9 ↓		
	9: 10.3x ↗		9: 10.6x ↗		
	10: 8.7 ←		10: 7.5 →		
	Series 98.8		Series 95.9		
	491.6		587.5		

Relay	Lane	Ida Romvig Bukbjerg		
3	26	DEN	WJ	R
Qual Day 3		Denmark Open Air 2026		Denmark Open Air 2026
11.02.2026				
Series 1 	1: 8.9 →	Series 2 	1: 8.7 ↓	
	2: 10.3x →		2: 9.7 ↙	
	3: 10.0 ↗		3: 10.7x ↗	
	4: 10.5x ↗		4: 10.0 ↓	
	5: 9.4 ↖		5: 10.6x ↑	
	6: 10.6x ↓		6: 10.0 ↓	
	7: 9.9 →		7: 9.6 ↙	
	8: 10.5x →		8: 9.0 ↖	
	9: 10.5x ↖		9: 10.7x ←	
	10: 9.8 ↓		10: 9.9 ↙	
	Series 100.4		Series 98.9	
	100.4		199.3	
Series 3 	1: 10.4x ↑	Series 4 	1: 10.2x ↖	
	2: 9.6 →		2: 10.1 ↗	
	3: 9.3 ↖		3: 10.0 ←	
	4: 10.2x ↖		4: 9.3 ↓	
	5: 8.9 ↙		5: 8.5 ↖	
	6: 10.7x ↓		6: 10.4x →	
	7: 10.1 ↖		7: 9.4 ←	
	8: 10.5x ↓		8: 9.7 ↖	
	9: 10.6x ↑		9: 9.9 →	
	10: 9.4 ↓		10: 10.0 ↗	
	Series 99.7		Series 97.5	
	299.0		396.5	
Series 5 	1: 10.2x →	Series 6 	1: 9.9 ↓	
	2: 10.2x ↖		2: 8.7 ←	
	3: 10.6x ↑		3: 9.8 →	
	4: 9.8 ↓		4: 9.2 →	
	5: 9.4 ↗		5: 10.0 ↗	
	6: 10.4x ↑		6: 9.5 ↖	
	7: 10.2x ←		7: 9.9 ↙	
	8: 8.6 →		8: 9.4 ↖	
	9: 9.3 ↗		9: 9.3 →	
	10: 10.7x ↓		10: 10.3x ↖	
	Series 99.4		Series 96.0	
	495.9		591.9	

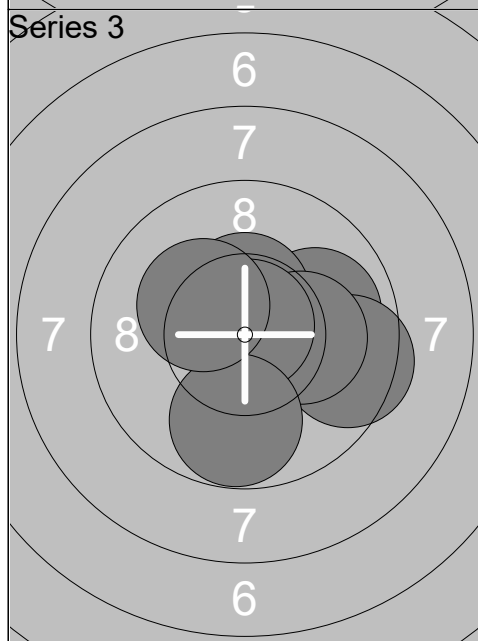
Relay	Lane	Isabella Houlberg			
3	27	DEN	WJ	R	
Qual Day 3		Denmark Open Air 2026		Denmark Open Air 2026	
11.02.2026					
Series 1		1: 10.5x ←	Series 2		1: 9.7 →
		2: 7.7 →			2: 10.7x →
		3: 10.3x ↖			3: 10.2x ←
		4: 9.0 →			4: 10.0 ↑
		5: 7.8 →			5: 7.6 →
		6: 8.7 →			6: 9.6 →
		7: 9.8 ↑			7: 10.5x ↖
		8: 9.4 →			8: 9.9 ↑
		9: 10.0 ↙			9: 10.0 ←
		10: 8.8 →			10: 8.0 →
		Series 92.0			Series 96.2
		92.0			188.2
Series 3		1: 10.6x ↗	Series 4		1: 9.4 →
		2: 8.4 ↗			2: 10.0 →
		3: 10.4x ↑			3: 9.1 ↑
		4: 10.7x →			4: 8.5 →
		5: 10.5x ↘			5: 10.0 ↘
		6: 9.1 ←			6: 9.6 ↘
		7: 10.2x →			7: 9.6 →
		8: 10.6x ↘			8: 9.9 ↘
		9: 10.7x ↖			9: 9.5 ←
		10: 9.8 ↑			10: 10.2x ↖
		Series 101.0			Series 95.8
		289.2			385.0
Series 5		1: 10.6x ↖	Series 6		1: 9.9 ←
		2: 9.8 ←			2: 8.5 ←
		3: 7.7 →			3: 8.9 ←
		4: 9.0 ↑			4: 7.5 →
		5: 8.1 →			5: 9.5 →
		6: 9.8 ↑			6: 10.3x ↘
		7: 9.4 ↗			7: 9.4 ↘
		8: 9.6 →			8: 8.3 ←
		9: 10.6x ↖			9: 8.3 →
		10: 9.2 ↑			10: 10.5x ↑
		Series 93.8			Series 91.1
		478.8			569.9



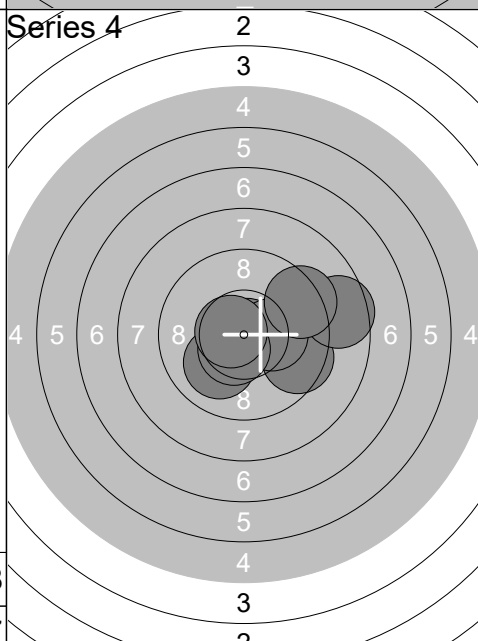
1:	10.1	←
2:	10.4x	↖
3:	10.8x	↙
4:	9.5	↙
5:	10.9x	↖
6:	10.3x	↖
7:	9.4	→
8:	10.1	←
9:	10.4x	↗
10:	9.8	→
Series	101.7	
	101.7	



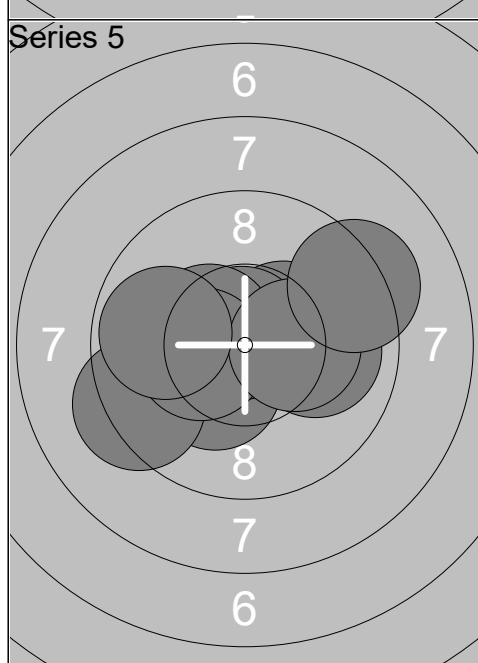
1:	10.8x	↑
2:	10.7x	→
3:	10.4x	→
4:	10.8x	↗
5:	9.7	←
6:	10.3x	→
7:	10.3x	↑
8:	10.4x	↙
9:	9.2	↙
10:	9.6	←
Series	102.2	
	203.9	



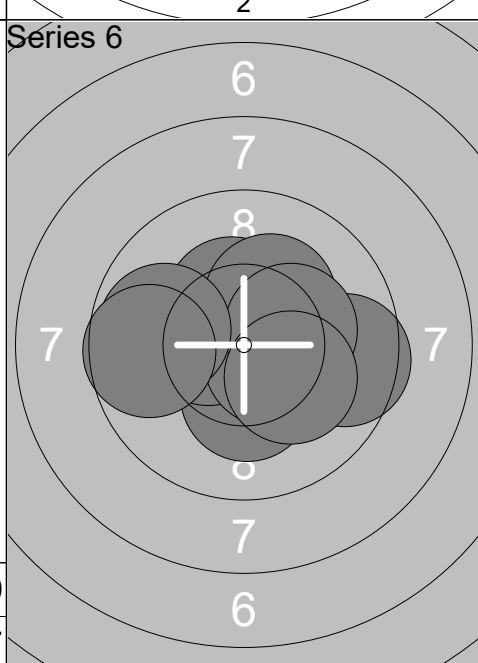
1:	9.9	→
2:	10.6x	→
3:	10.6x	↖
4:	10.5x	↑
5:	10.6x	→
6:	9.5	→
7:	10.2x	→
8:	10.8x	↑
9:	9.8	↓
10:	10.3x	↖
Series	102.8	
	306.7	



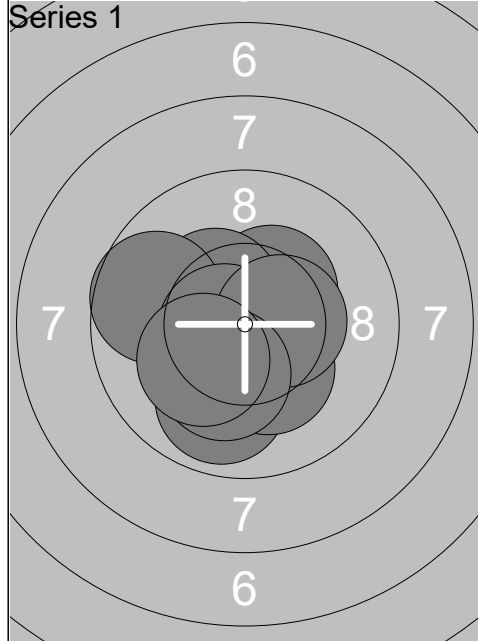
1:	10.6x	↙
2:	10.9x	→
3:	10.0	↙
4:	9.5	→
5:	10.7x	↖
6:	10.3x	→
7:	10.5x	↙
8:	10.6x	↖
9:	8.6	→
10:	9.3	↗
Series	101.0	
	407.7	



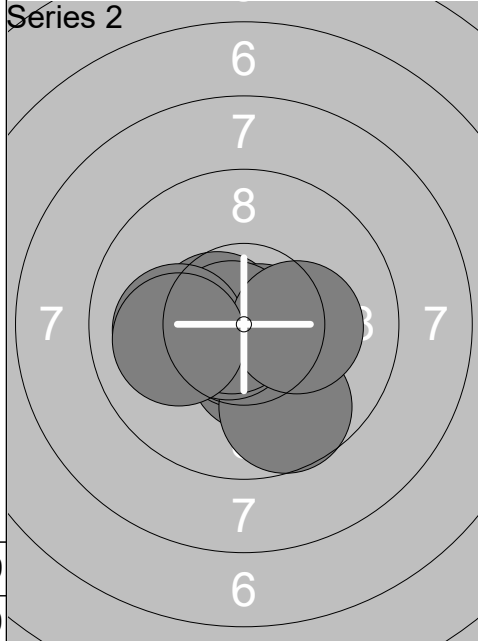
1:	10.4x	↗
2:	10.3x	↙
3:	10.8x	↑
4:	9.3	←
5:	10.0	→
6:	10.4x	↖
7:	10.3x	↖
8:	10.3x	→
9:	9.9	←
10:	9.3	↗
Series	101.0	
	508.7	



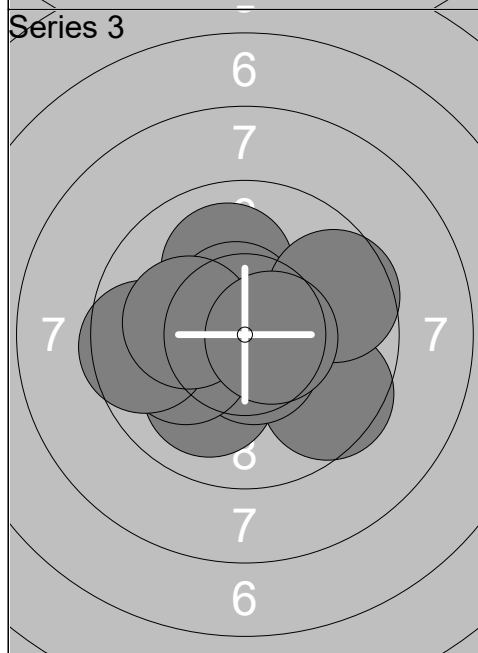
1:	10.3x	↓
2:	10.5x	↖
3:	10.4x	↑
4:	9.6	→
5:	10.2x	↗
6:	10.5x	→
7:	10.3x	→
8:	10.2x	→
9:	9.9	←
10:	9.7	←
Series	101.6	
	610.3	



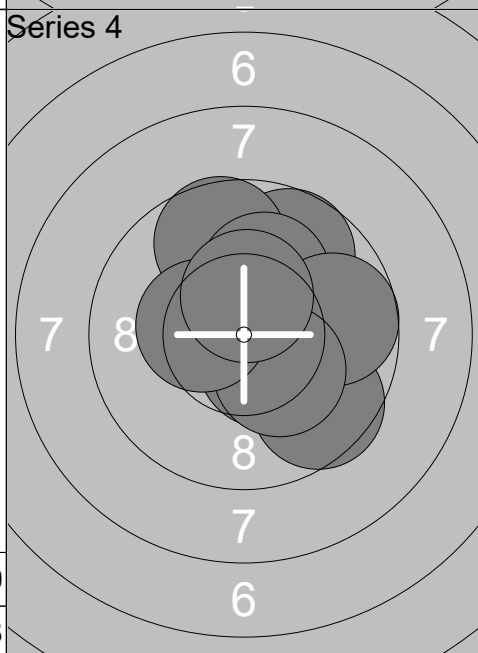
1:	10.4x ↗
2:	10.6x ↓
3:	9.9 ↓
4:	10.4x ↗
5:	9.7 ←
6:	10.7x ←
7:	10.3x ↓
8:	10.5x →
9:	10.2x ↓
10:	10.2x ↙
Series	102.9
	102.9



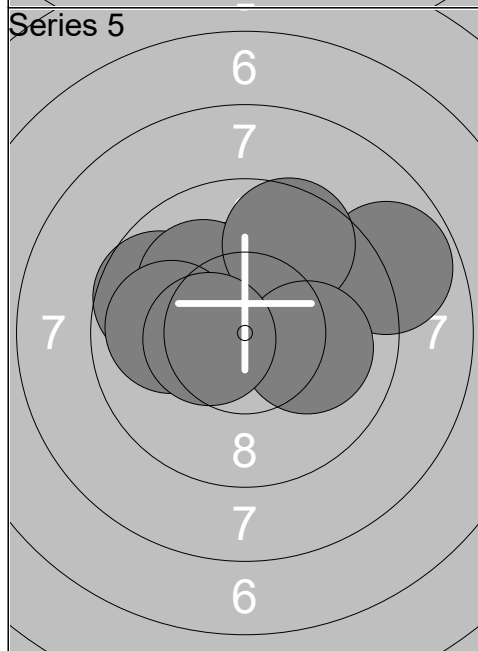
1:	10.4x ↓
2:	10.6x ←
3:	10.7x →
4:	10.7x ↓
5:	9.7 ↓
6:	10.7x ↙
7:	10.8x ←
8:	10.1 ←
9:	10.2x →
10:	10.0 ←
Series	103.9
	206.8



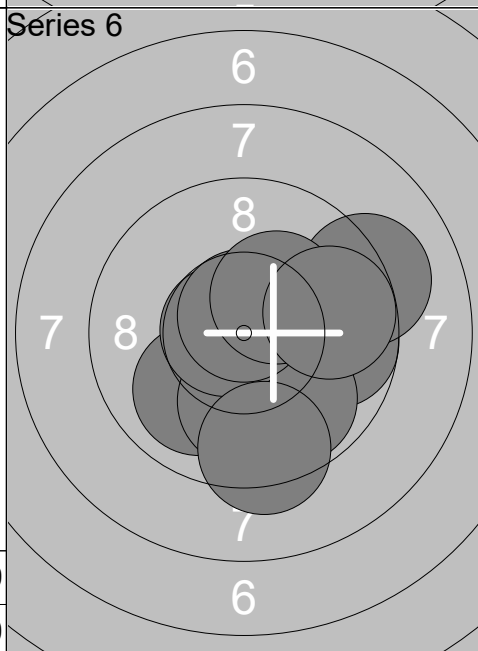
1:	10.0 ↓
2:	9.6 →
3:	10.1 ↑
4:	10.6x ↓
5:	10.1 ←
6:	10.6x ↑
7:	9.6 ←
8:	9.6 →
9:	10.2x ←
10:	10.6x →
Series	101.0
	307.8



1:	9.7 ↗
2:	9.7 ↑
3:	10.1 ↑
4:	10.9x ↗
5:	9.6 ↓
6:	9.7 →
7:	10.5x ↓
8:	10.3x ↓
9:	10.4x ←
10:	10.4x ↑
Series	101.3
	409.1

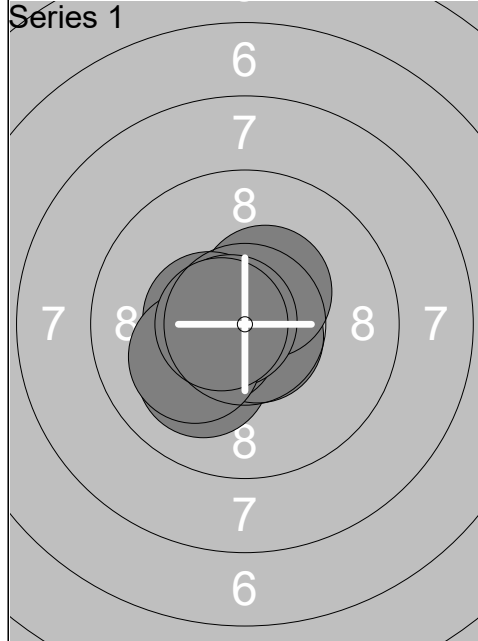


1:	10.1 ←
2:	9.7 ←
3:	10.6x ↑
4:	10.3x ↑
5:	10.1 ↗
6:	10.0 ←
7:	8.9 →
8:	9.6 ↑
9:	10.1 →
10:	10.5x ←
Series	99.9
	509.0

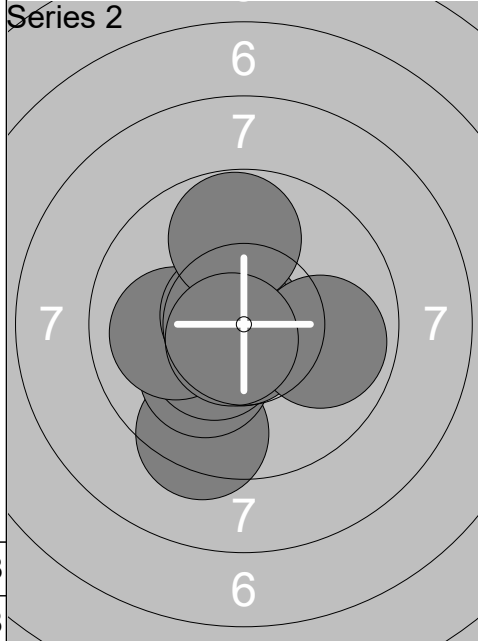


1:	9.7 →
2:	10.0 ↓
3:	10.0 ↓
4:	9.9 ↓
5:	9.2 →
6:	10.7x ←
7:	9.4 ↓
8:	10.7x ↑
9:	10.3x ↗
10:	9.8 →
Series	99.7
	608.7

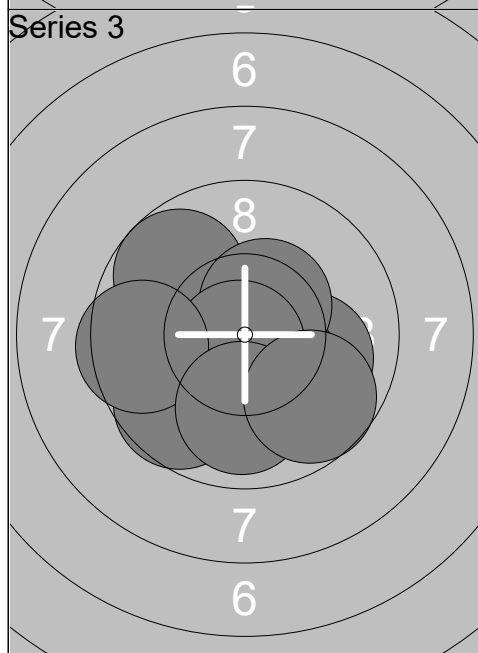
Relay	Lane	Leonora Sørli Kristensen		
3	30	NOR	WJ	R
Qual Day 3		Denmark Open Air 2026		Denmark Open Air 2026
11.02.2026				
Series 1 	1: 10.6x ↗	Series 2 	1: 10.6x ↙	
	2: 10.8x ↗		2: 10.5x ↘	
	3: 10.0 ↘		3: 10.7x ↑	
	4: 10.7x ↘		4: 10.8x ↙	
	5: 10.6x ➡		5: 10.8x ↑	
	6: 10.4x ↘		6: 10.4x ↘	
	7: 9.4 ➡		7: 9.7 ➡	
	8: 10.5x ↗		8: 9.8 ↗	
	9: 10.4x ↗		9: 9.5 ➡	
	10: 10.6x ↘		10: 10.6x ↘	
	Series 104.0		Series 103.4	
	104.0		207.4	
Series 3 	1: 10.2x ↘	Series 4 	1: 10.1 ➡	
	2: 10.7x ↘		2: 10.5x ↘	
	3: 10.6x ➡		3: 10.8x ↗	
	4: 10.7x ↗		4: 10.5x ↖	
	5: 9.4 ↘		5: 10.1 ➡	
	6: 10.2x ↗		6: 10.5x ↗	
	7: 10.5x ↗		7: 10.3x ➡	
	8: 10.5x ↘		8: 10.2x ↙	
	9: 10.2x ↘		9: 10.2x ➡	
	10: 10.7x ➡		10: 10.3x ➡	
	Series 103.7		Series 103.5	
	311.1		414.6	
Series 5 	1: 10.6x ↘	Series 6 	1: 10.2x ↙	
	2: 10.6x ➡		2: 10.2x ↙	
	3: 10.3x ↙		3: 10.5x ↘	
	4: 9.8 ➡		4: 10.0 ➡	
	5: 9.4 ➡		5: 10.4x ↘	
	6: 10.4x ↘		6: 10.1 ➡	
	7: 10.8x ↘		7: 10.8x ↘	
	8: 10.4x ↗		8: 10.4x ↘	
	9: 9.9 ↙		9: 10.4x ↖	
	10: 10.7x ↖		10: 10.5x ↘	
	Series 102.9		Series 103.5	
	517.5		621.0	



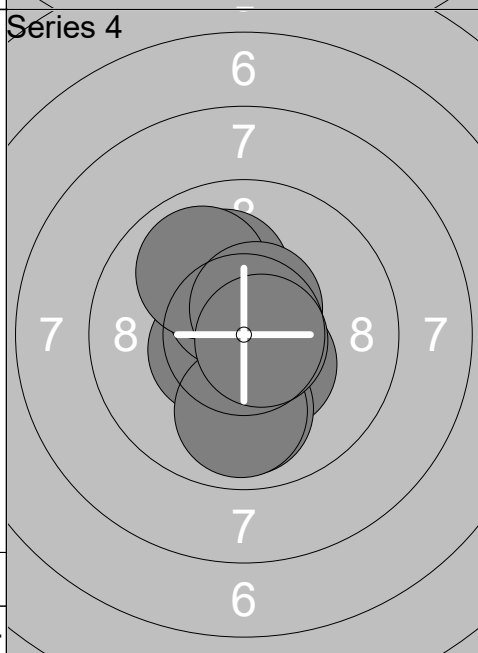
1:	10.9x	➔
2:	10.2x	↙
3:	10.1	↙
4:	10.7x	↘
5:	10.4x	↗
6:	10.5x	↙
7:	10.5x	↙
8:	10.8x	↙
9:	10.1	↙
10:	10.6x	↙
Series	104.8	
	104.8	



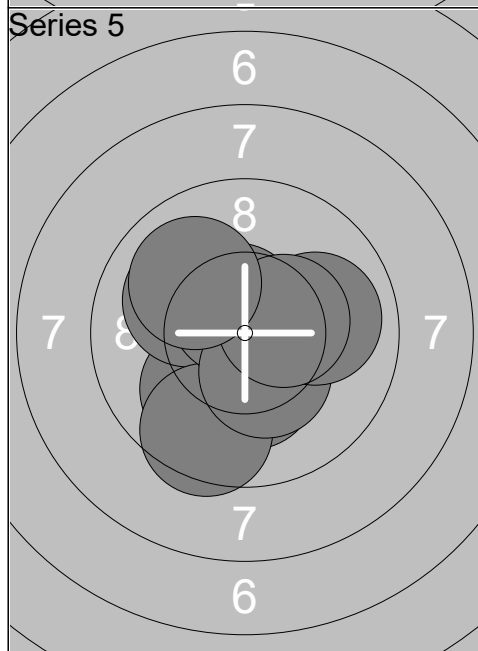
1:	9.3	↘
2:	10.1	↘
3:	10.4x	↙
4:	10.9x	↔
5:	10.0	↔
6:	10.7x	↘
7:	10.7x	↙
8:	9.8	↗
9:	9.9	➔
10:	10.7x	↙
Series	102.5	
	207.3	



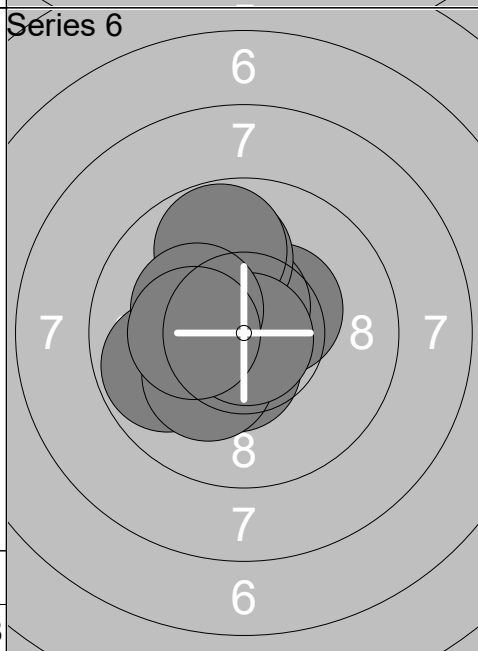
1:	10.1	➔
2:	10.8x	↘
3:	10.3x	↘
4:	9.8	↗
5:	10.4x	↗
6:	9.7	↙
7:	10.8x	↘
8:	9.6	↔
9:	9.9	↘
10:	9.7	↘
Series	101.1	
	308.4	



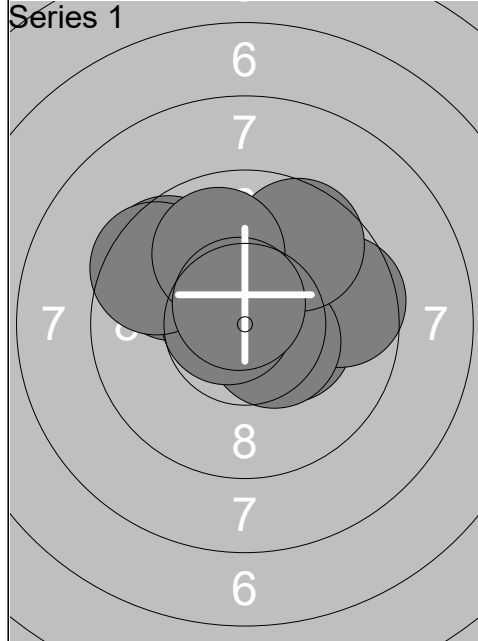
1:	10.1	↗
2:	10.4x	↘
3:	10.7x	↙
4:	9.9	↘
5:	10.5x	↙
6:	9.9	↘
7:	10.5x	↗
8:	10.0	↗
9:	10.6x	↗
10:	10.7x	➔
Series	103.3	
	411.7	



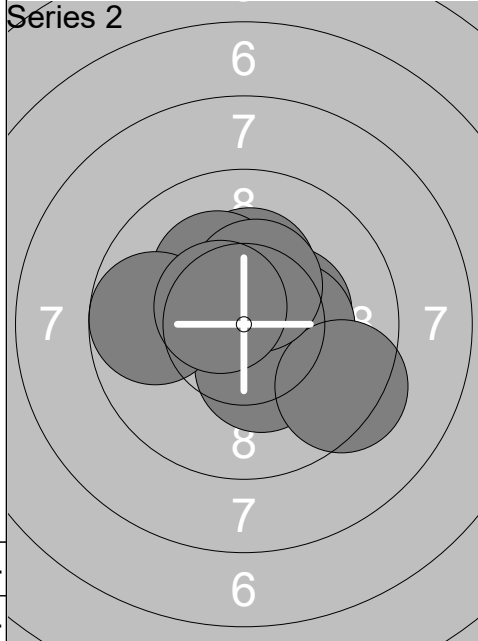
1:	10.1	↙
2:	10.3x	↘
3:	10.1	↙
4:	9.5	↘
5:	10.7x	↘
6:	10.6x	↗
7:	10.4x	↘
8:	10.0	➔
9:	10.4x	➔
10:	10.0	↙
Series	102.1	
	513.8	



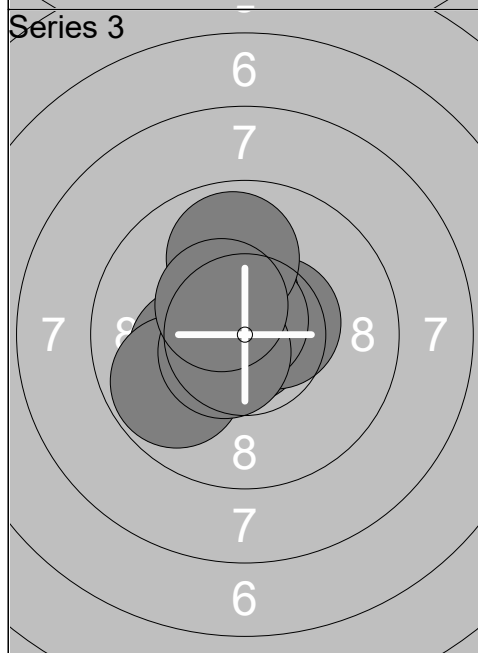
1:	9.8	↔
2:	10.4x	↗
3:	10.5x	↘
4:	10.2x	↙
5:	10.6x	↗
6:	9.9	↗
7:	9.8	↗
8:	10.9x	↘
9:	10.2x	↙
10:	10.3x	↙
Series	102.6	
	616.4	



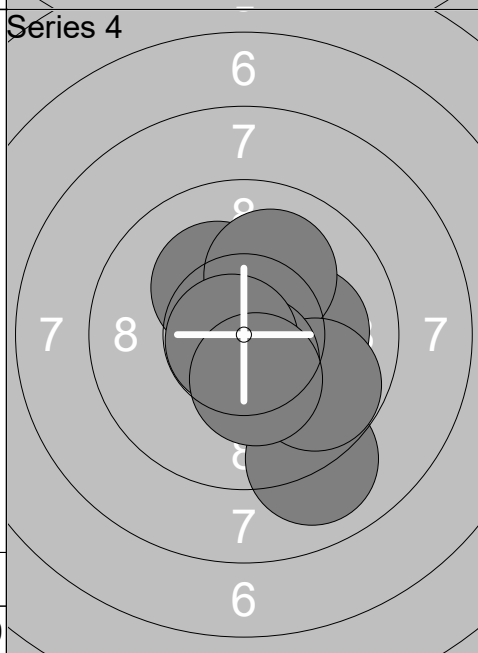
1:	9.8 ↖
2:	10.4x →
3:	9.7 →
4:	9.6 ↖
5:	10.5x ↘
6:	10.7x ↙
7:	9.5 ↖
8:	9.6 ↗
9:	9.9 ↗
10:	10.7x ↗
Series	100.4
	100.4



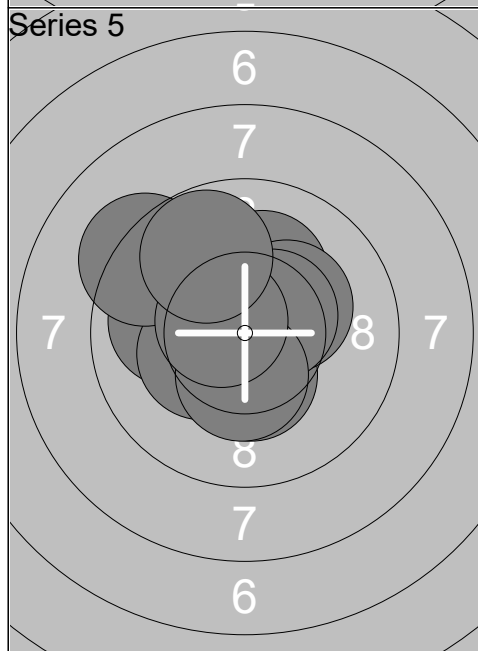
1:	10.7x ↗
2:	10.3x ↑
3:	10.2x ↖
4:	10.4x →
5:	10.4x →
6:	10.3x ↓
7:	9.7 ←
8:	9.4 ↘
9:	10.4x ↗
10:	10.6x ↖
Series	102.4
	202.8



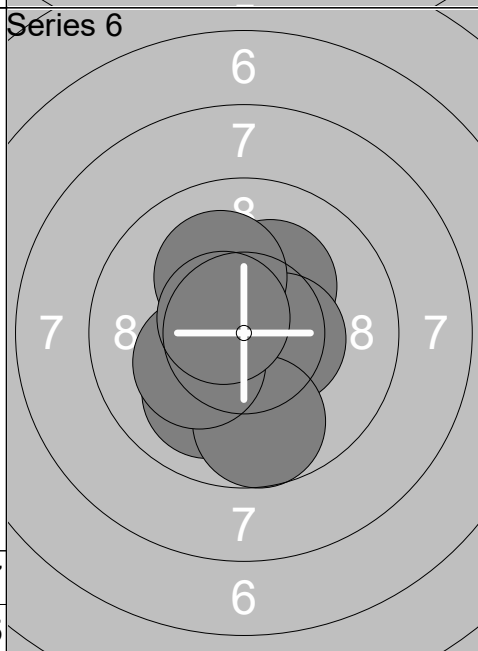
1:	10.7x ↙
2:	10.2x ↙
3:	9.8 ↙
4:	10.9x ↘
5:	10.5x →
6:	10.4x ↑
7:	10.7x ↑
8:	9.9 ↑
9:	10.6x ↙
10:	10.4x ↖
Series	104.1
	306.9



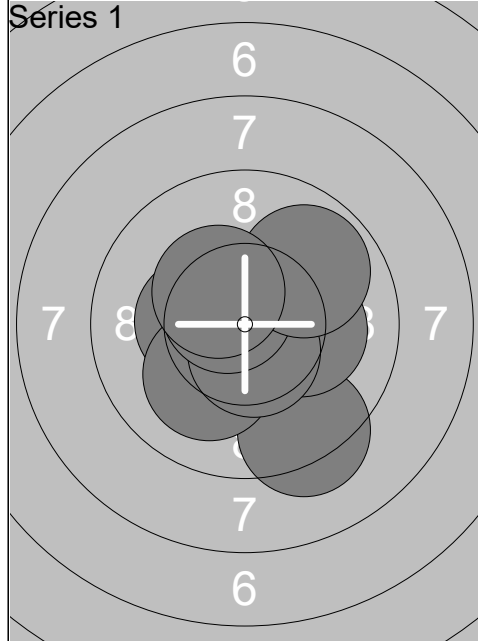
1:	10.3x →
2:	10.5x →
3:	10.2x ↖
4:	10.2x →
5:	9.1 ↓
6:	10.1 ↗
7:	9.8 ↘
8:	10.6x ↓
9:	10.8x ↙
10:	10.3x ↓
Series	101.9
	408.8



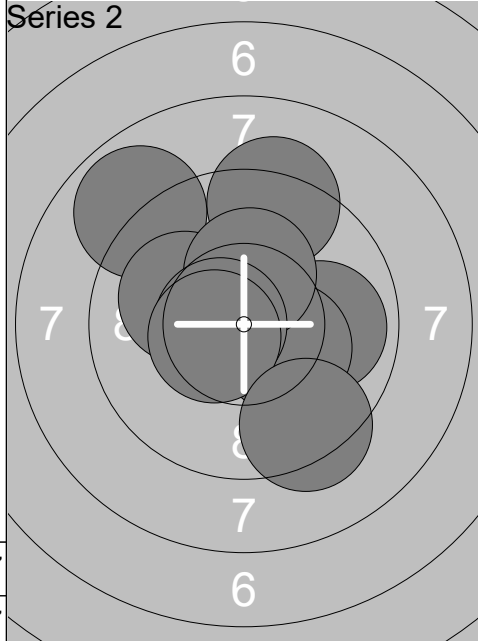
1:	10.4x ↓
2:	10.0 ←
3:	10.3x ↙
4:	9.3 ↖
5:	10.1 ↗
6:	10.3x ↗
7:	10.5x →
8:	10.4x ↓
9:	10.6x ↙
10:	9.8 ↗
Series	101.7
	510.5



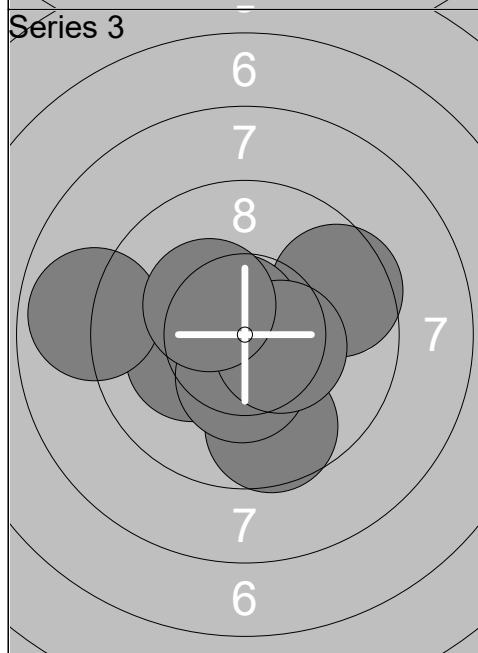
1:	10.3x ↑
2:	10.0 ↘
3:	10.6x ↓
4:	10.6x ↓
5:	10.2x ↗
6:	10.5x →
7:	9.7 ↓
8:	10.1 ↗
9:	10.2x ↙
10:	10.6x ↖
Series	102.8
	613.3



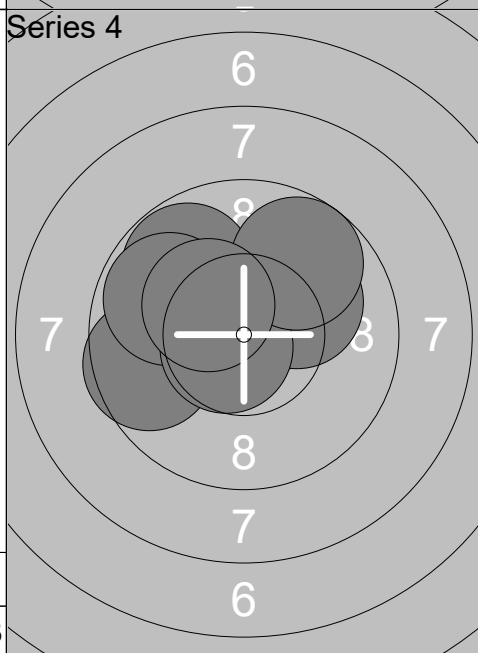
1:	10.4x ←
2:	10.4x ←
3:	9.3 ↓
4:	10.2x →
5:	10.8x ↑
6:	10.1 ↓
7:	10.6x ↓
8:	10.6x ↖
9:	9.9 ↗
10:	10.4x ↖
Series	102.7
	102.7



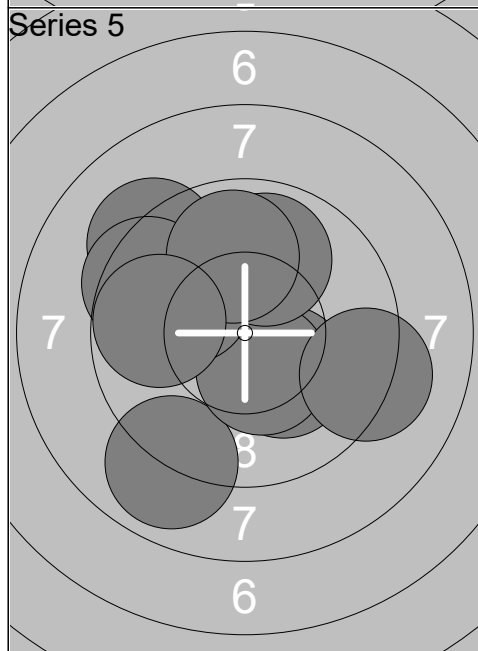
1:	9.9 →
2:	9.3 ↑
3:	10.2x ↖
4:	10.3x ↘
5:	8.9 ↖
6:	10.1 ↖
7:	10.3x ↑
8:	10.6x ←
9:	10.5x ←
10:	9.4 ↓
Series	99.5
	202.2



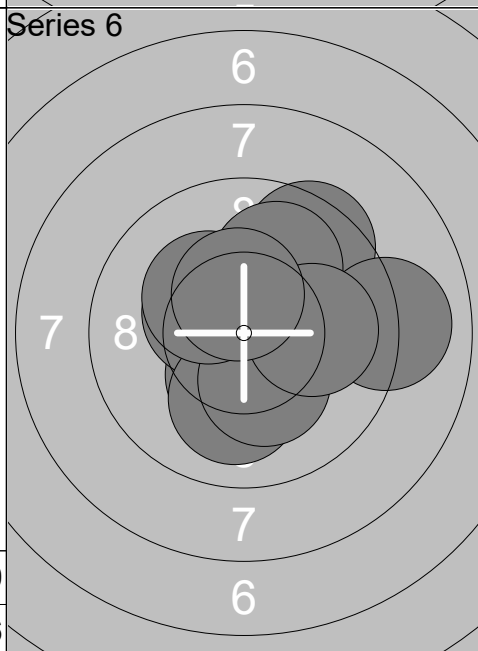
1:	9.6 ↓
2:	10.5x →
3:	10.5x ↘
4:	10.2x ←
5:	9.6 ↗
6:	8.9 ←
7:	10.7x ↖
8:	10.4x ↓
9:	10.4x →
10:	10.3x ↖
Series	101.1
	303.3



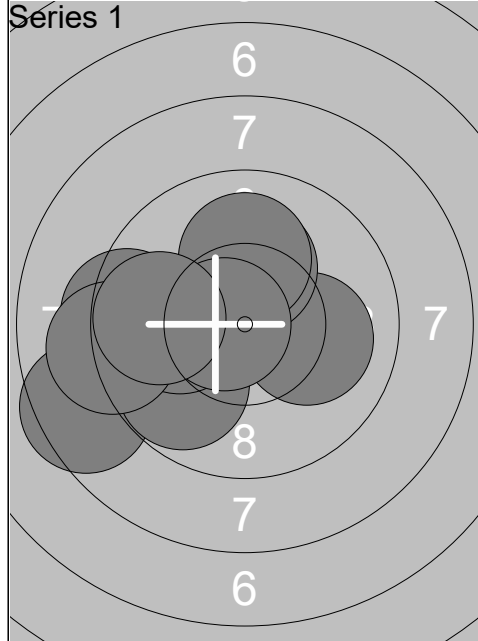
1:	10.4x ↗
2:	10.0 ←
3:	9.8 ↖
4:	9.6 ←
5:	10.8x ←
6:	9.8 ↖
7:	10.1 ↗
8:	10.7x ↙
9:	9.8 ↗
10:	10.3x ↖
Series	101.3
	404.6



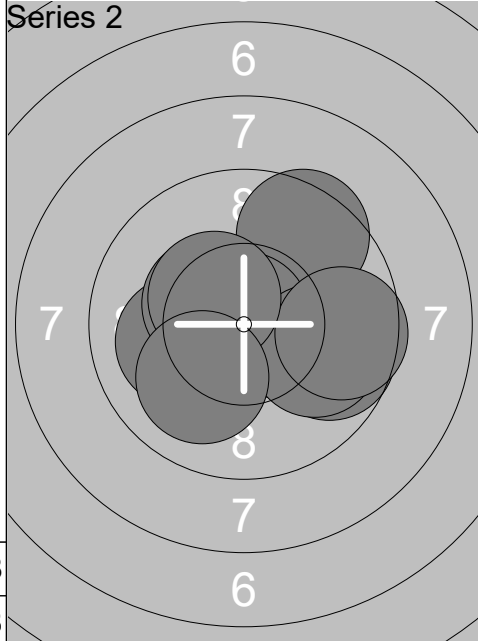
1:	10.2x ↘
2:	8.9 ↓
3:	10.4x ↓
4:	9.2 ↖
5:	10.0 ↖
6:	9.9 ↑
7:	9.5 ↖
8:	9.9 ↑
9:	9.8 ←
10:	9.2 →
Series	97.0
	501.6



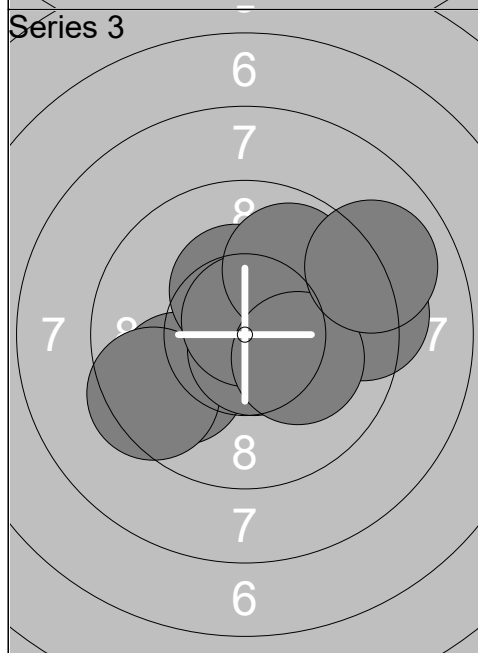
1:	10.4x ↓
2:	10.4x ↖
3:	9.5 ↗
4:	10.1 ↓
5:	10.2x ↓
6:	9.0 →
7:	10.0 ↗
8:	10.3x ↖
9:	10.0 →
10:	10.4x ↑
Series	100.3
	601.9



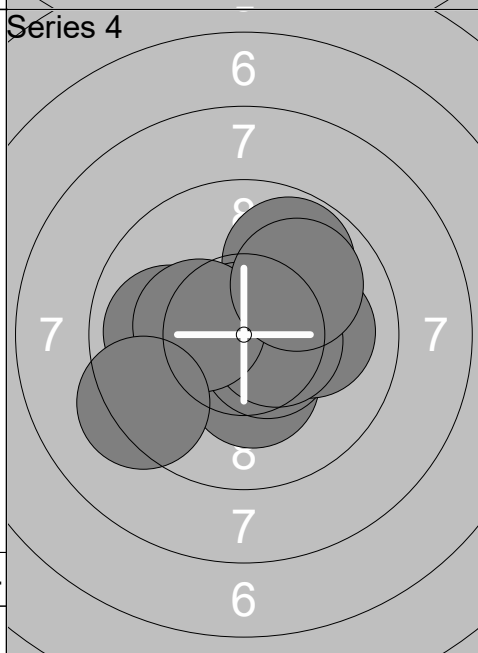
1:	9.4	←
2:	8.5	↙
3:	10.1	→
4:	9.8	↘
5:	10.1	←
6:	10.2x	↑
7:	9.1	←
8:	10.1	↑
9:	10.7x	↙
10:	9.8	←
Series	97.8	
	97.8	



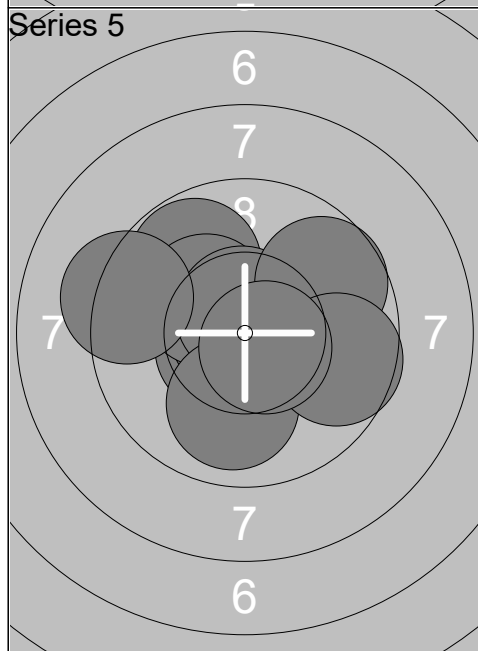
1:	9.7	→
2:	10.4x	→
3:	10.1	←
4:	9.5	↗
5:	10.9x	↑
6:	10.4x	↖
7:	9.9	→
8:	9.6	→
9:	10.4x	↖
10:	10.0	↘
Series	100.9	
	198.7	



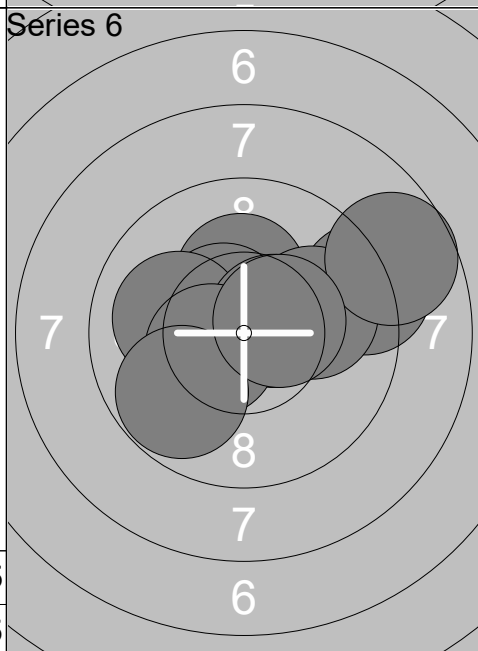
1:	9.9	↙
2:	9.5	↙
3:	9.9	→
4:	10.7x	↘
5:	9.3	→
6:	10.3x	↑
7:	10.7x	↑
8:	9.9	↗
9:	10.2x	↘
10:	9.0	↗
Series	99.4	
	298.1	



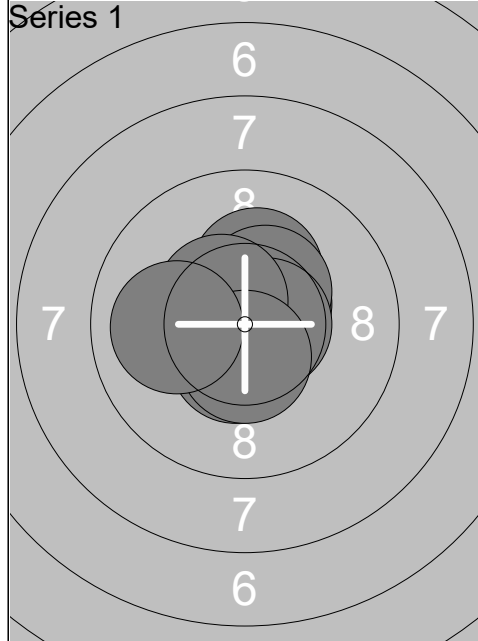
1:	9.8	↗
2:	10.3x	↘
3:	10.9x	↖
4:	10.0	←
5:	10.6x	↘
6:	10.1	→
7:	10.5x	→
8:	10.4x	↙
9:	10.0	↗
10:	9.3	↙
Series	101.9	
	400.0	



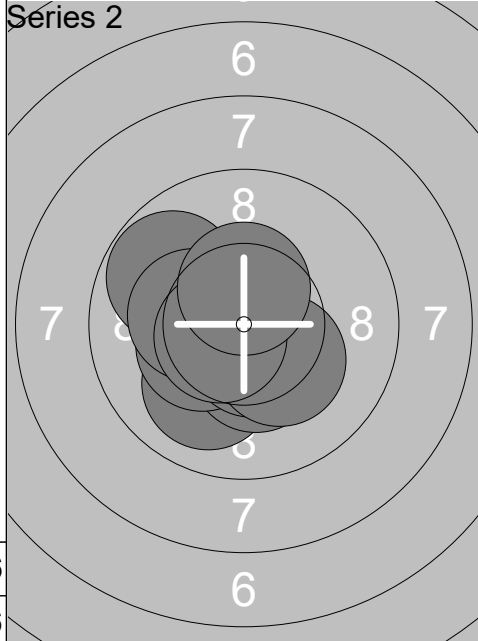
1:	9.8	↖
2:	10.6x	↙
3:	10.8x	↙
4:	10.3x	↖
5:	10.7x	↑
6:	10.0	↓
7:	9.7	↗
8:	9.3	←
9:	9.7	→
10:	10.6x	↘
Series	101.5	
	501.5	



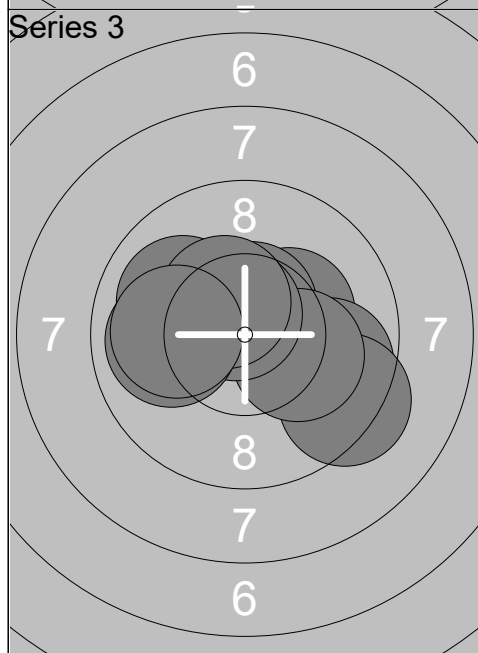
1:	9.2	→
2:	10.2x	↑
3:	10.0	→
4:	10.5x	↖
5:	10.1	←
6:	10.5x	→
7:	10.5x	↙
8:	8.7	↗
9:	9.8	↘
10:	10.4x	→
Series	99.9	
	601.4	



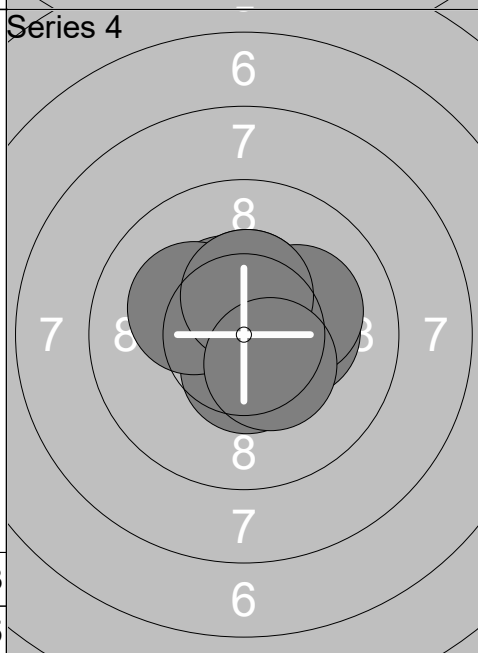
1:	10.7x ↗
2:	10.6x ↑
3:	10.2x ↑
4:	10.5x ↗
5:	10.4x ↗
6:	10.5x ↓
7:	10.7x →
8:	10.5x ↖
9:	10.5x ↓
10:	10.0 ←
Series	104.6
	104.6



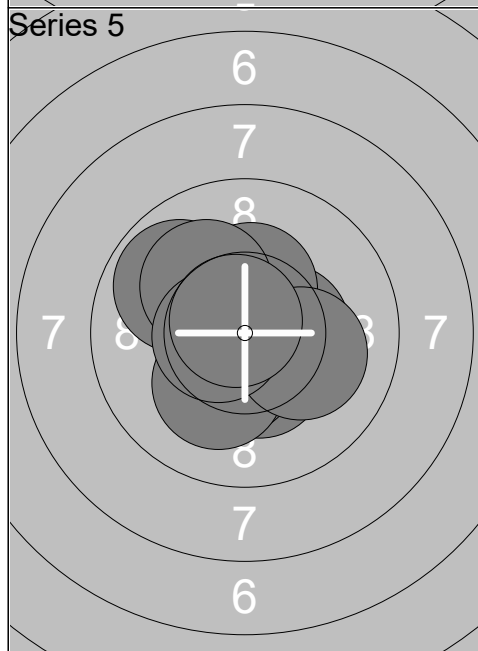
1:	9.8 ↖
2:	10.0 ↓
3:	10.4x ↓
4:	10.8x ↖
5:	10.3x ↙
6:	10.6x ↓
7:	10.3x ↙
8:	10.3x ↘
9:	10.6x ↙
10:	10.5x ↑
Series	103.6
	208.2



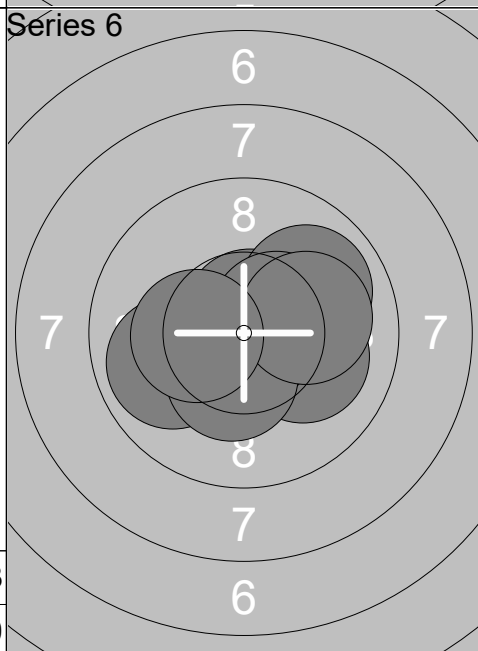
1:	10.3x ↗
2:	9.8 →
3:	9.3 ↘
4:	10.6x ↑
5:	10.2x →
6:	10.7x ↑
7:	10.0 ↖
8:	10.0 ←
9:	10.4x ↖
10:	10.0 ←
Series	101.3
	309.5



1:	10.4x ↑
2:	10.5x ↖
3:	10.5x ↖
4:	10.8x ↘
5:	10.3x →
6:	10.5x ↓
7:	10.2x ↖
8:	10.2x ↗
9:	10.4x ↑
10:	10.4x ↘
Series	104.2
	413.7

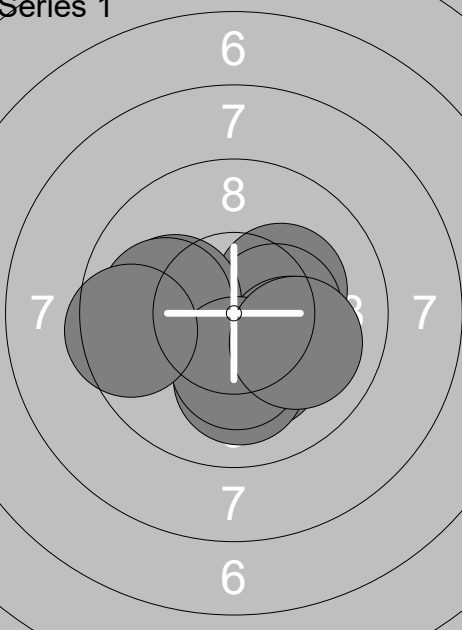
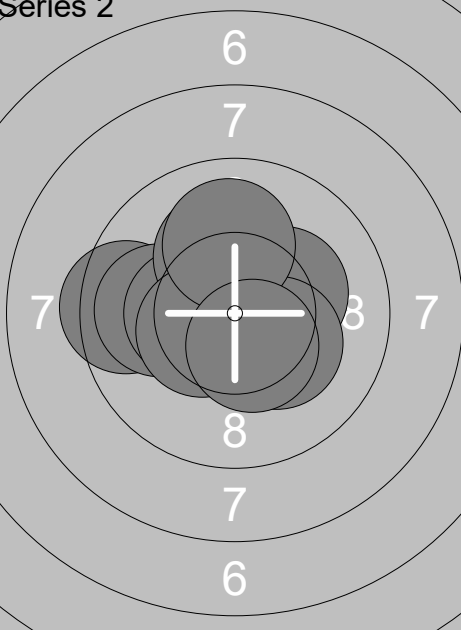
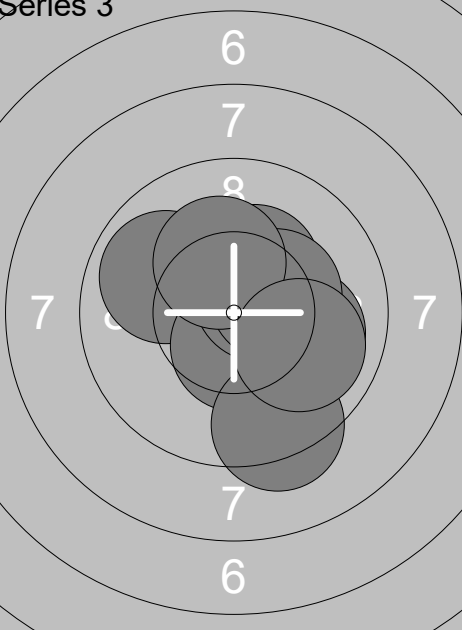
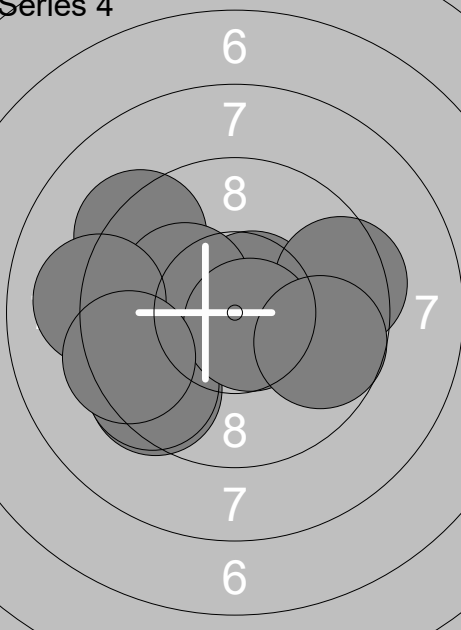
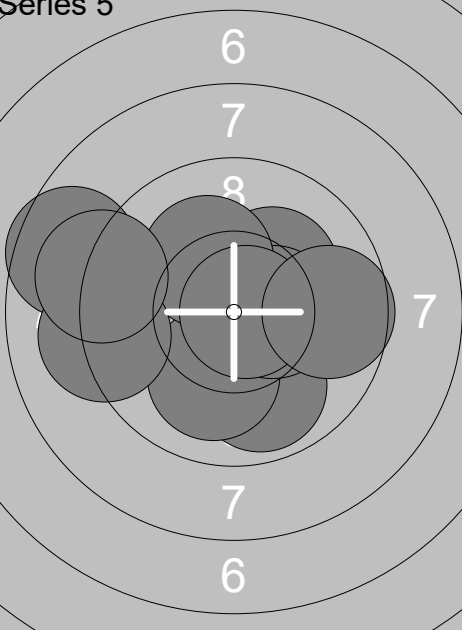
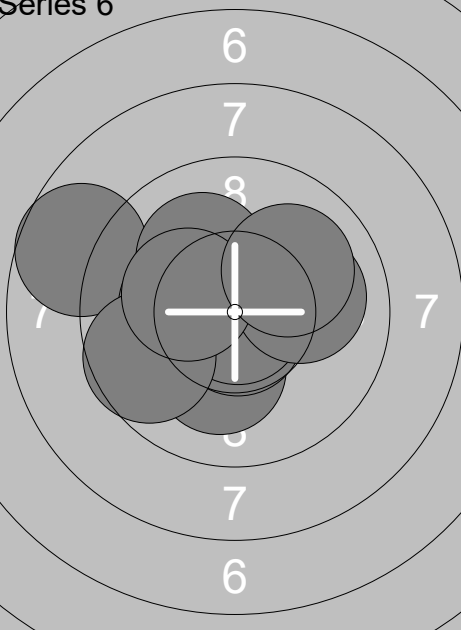


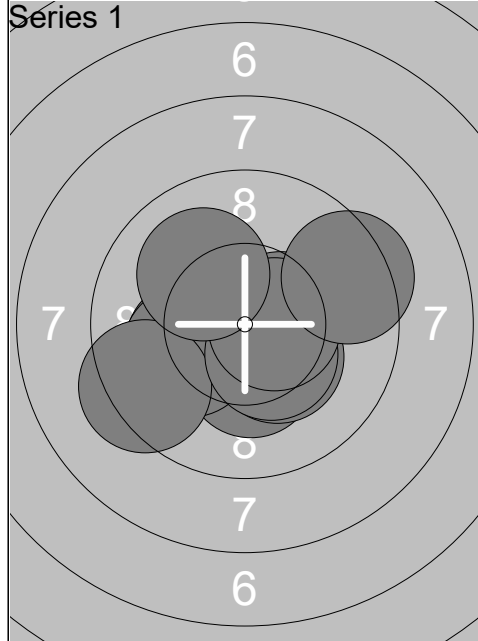
1:	10.4x ↓
2:	10.5x ↓
3:	10.4x →
4:	10.3x ↑
5:	10.2x ↓
6:	9.9 ↖
7:	10.2x →
8:	10.1 ↖
9:	10.6x ↙
10:	10.7x ↖
Series	103.3
	517.0



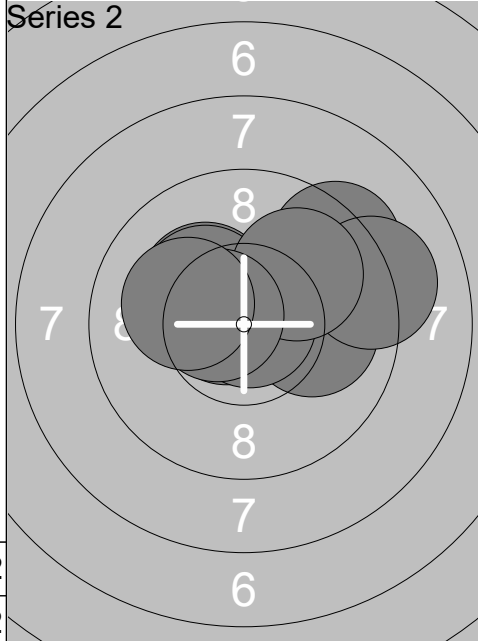
1:	9.9 ↙
2:	10.8x ↘
3:	10.1 →
4:	10.7x ↑
5:	10.8x →
6:	10.0 ↗
7:	10.5x →
8:	10.4x ↓
9:	10.1 →
10:	10.3x ↙
Series	103.6
	620.6

11.02.2026	Denmark Open Air 2026	Denmark Open Air 2026
------------	-----------------------	-----------------------

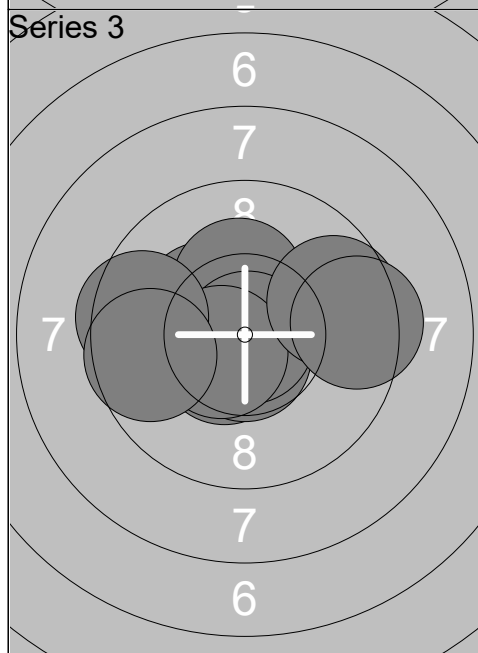
Series 1 	1: 10.2x → 2: 10.4x → 3: 10.1 → 4: 10.2x ↓ 5: 10.1 ↓ 6: 10.2x ← 7: 10.0 ← 8: 10.3x ↓ 9: 10.0 → 10: 9.5 ← <hr/> Series 101.0 101.0	Series 2 	1: 9.5 ← 2: 10.7x ↗ 3: 10.0 ← 4: 10.2x → 5: 10.3x ↘ 6: 10.3x ← 7: 10.2x ↗ 8: 10.5x ← 9: 10.0 ↗ 10: 10.5x ↓ <hr/> Series 102.2 203.2
Series 3 	1: 10.8x → 2: 9.9 ← 3: 10.5x ↓ 4: 10.0 → 5: 10.3x ↗ 6: 10.5x → 7: 10.3x → 8: 10.3x ↗ 9: 9.3 ↓ 10: 10.0 → <hr/> Series 101.9 305.1	Series 4 	1: 9.3 ↖ 2: 9.5 ↘ 3: 10.6x ↗ 4: 10.2x ↖ 5: 9.5 ↘ 6: 9.1 ← 7: 9.5 → 8: 10.7x ↘ 9: 9.7 → 10: 9.4 ← <hr/> Series 97.5 402.6
Series 5 	1: 10.2x ↗ 2: 9.9 ↓ 3: 10.1 ↓ 4: 10.4x → 5: 10.2x ↗ 6: 8.6 ← 7: 10.8x → 8: 9.7 → 9: 9.2 ← 10: 9.1 ← <hr/> Series 98.2 500.8	Series 6 	1: 8.7 ← 2: 10.2x ↓ 3: 10.1 ↗ 4: 10.3x ← 5: 10.7x ↓ 6: 10.8x ↓ 7: 9.6 ← 8: 10.0 → 9: 10.2x ↖ 10: 10.0 ↗ <hr/> Series 100.6 601.4



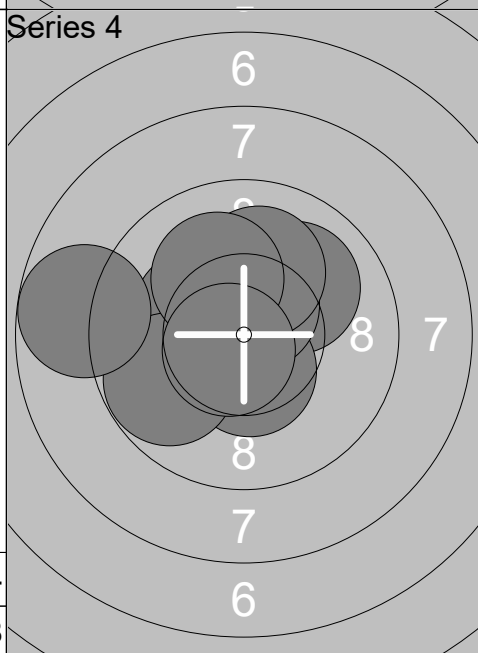
1:	10.2x	↙
2:	10.3x	↓
3:	10.1	←
4:	10.5x	→
5:	10.3x	↘
6:	9.3	↙
7:	10.4x	↘
8:	10.6x	→
9:	10.1	↖
10:	9.4	↗
Series	101.2	
	101.2	



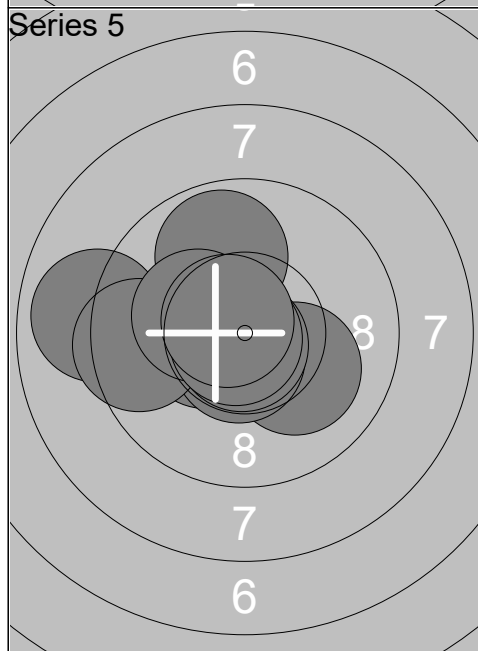
1:	10.7x	↙
2:	10.0	→
3:	10.2x	↖
4:	10.3x	↖
5:	9.3	↗
6:	10.8x	↗
7:	9.2	→
8:	10.0	↗
9:	10.6x	↙
10:	10.1	↙
Series	101.2	
	202.4	



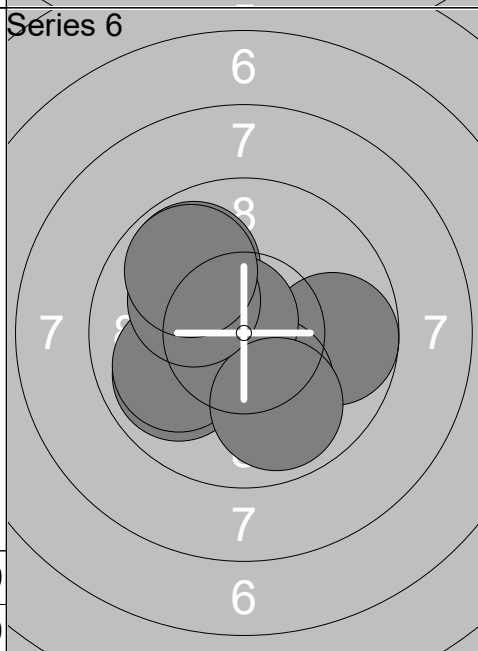
1:	10.3x	↖
2:	10.5x	↘
3:	10.3x	↑
4:	10.7x	↓
5:	10.9x	↘
6:	10.5x	↙
7:	9.7	→
8:	9.5	←
9:	9.4	→
10:	9.6	←
Series	101.4	
	303.8	



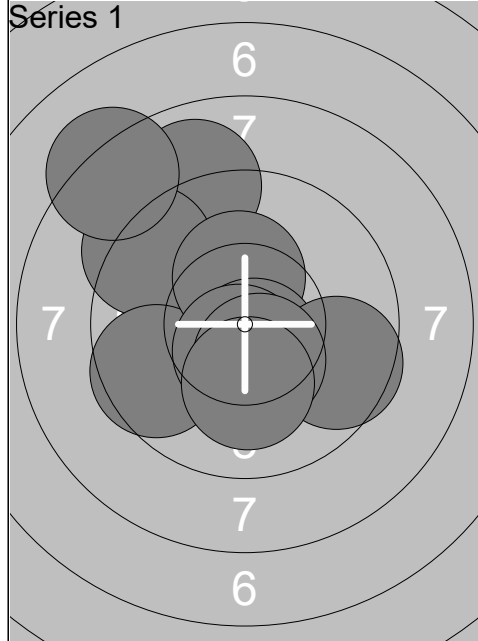
1:	10.4x	↙
2:	10.3x	↙
3:	10.0	↗
4:	10.5x	↓
5:	9.8	↙
6:	10.5x	↑
7:	10.1	↑
8:	10.1	↖
9:	10.6x	↙
10:	8.8	←
Series	101.1	
	404.9	



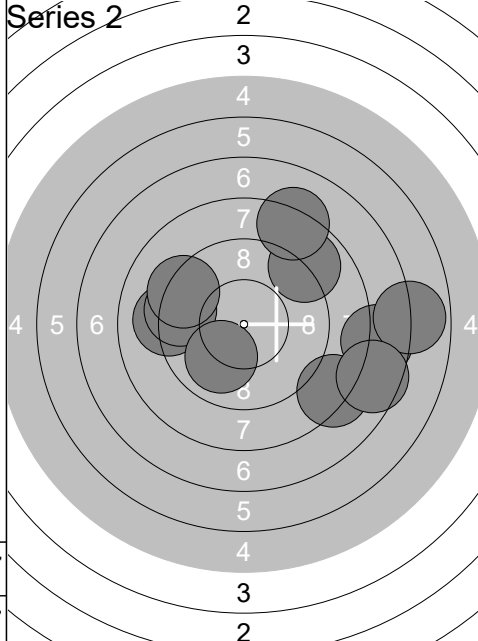
1:	8.9	←
2:	10.4x	↙
3:	10.1	↘
4:	9.9	↑
5:	10.6x	↘
6:	9.5	←
7:	10.8x	↘
8:	10.3x	↙
9:	10.8x	↙
10:	10.7x	↖
Series	102.0	
	506.9	



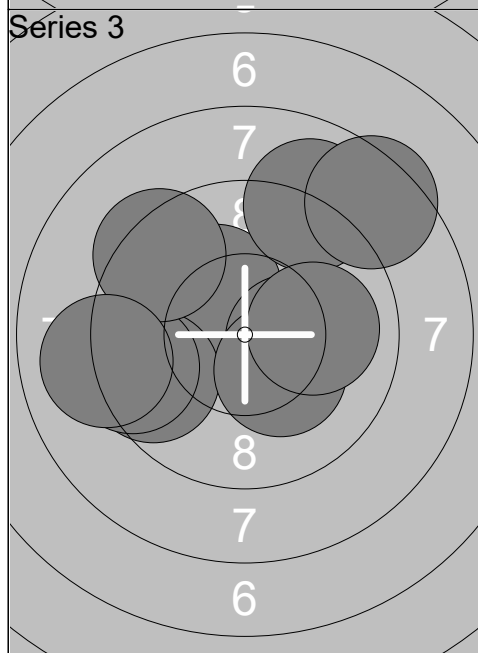
1:	10.8x	↓
2:	9.9	↖
3:	9.8	→
4:	10.2x	↓
5:	9.9	↙
6:	10.7x	↖
7:	10.0	↙
8:	9.9	↓
9:	10.1	↙
10:	9.9	↖
Series	101.2	
	608.1	



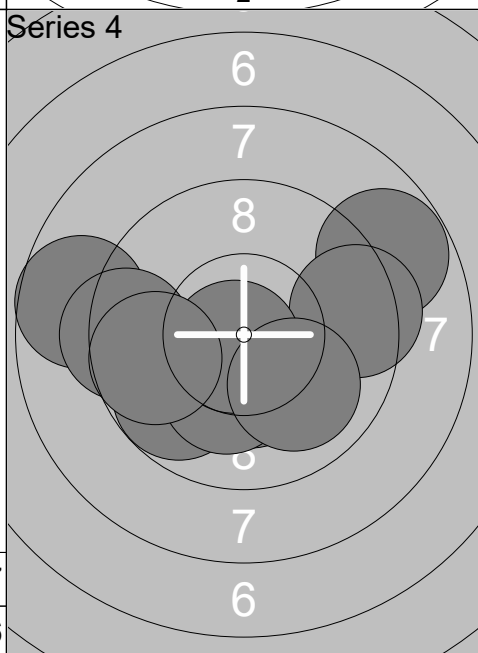
1:	8.9	↗
2:	9.3	↖
3:	9.6	←
4:	10.3x	↗
5:	10.7x	↘
6:	9.6	→
7:	10.6x	↘
8:	10.4x	↘
9:	8.2	↖
10:	10.1	↓
Series	97.7	
	97.7	



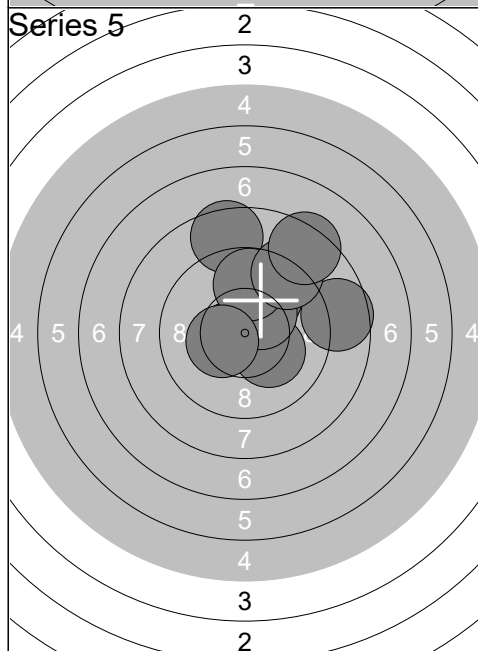
1:	7.7	→
2:	6.9	→
3:	9.1	←
4:	9.3	←
5:	10.0	↘
6:	8.2	↘
7:	7.6	→
8:	9.3	↖
9:	8.9	↗
10:	8.2	↗
Series	85.2	
	182.9	



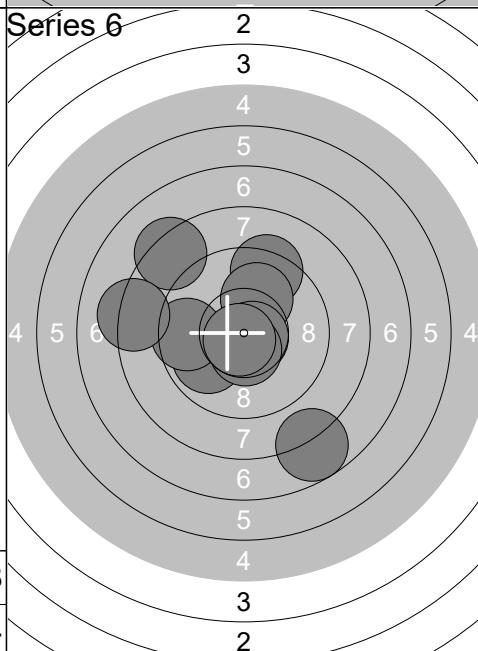
1:	10.2x	↖
2:	10.3x	→
3:	9.6	←
4:	9.4	←
5:	9.4	↖
6:	9.0	↗
7:	8.5	↗
8:	9.0	←
9:	10.3x	↘
10:	10.0	→
Series	95.7	
	278.6	



1:	9.8	↖
2:	10.3x	↘
3:	8.7	←
4:	9.4	←
5:	10.2x	↘
6:	8.8	↗
7:	9.4	→
8:	10.7x	↘
9:	9.7	←
10:	10.0	↘
Series	97.0	
	375.6	



1:	8.6	→
2:	10.6x	←
3:	8.5	↗
4:	9.9	↗
5:	10.2x	↘
6:	10.3x	↗
7:	9.8	↗
8:	9.1	↗
9:	10.4x	←
10:	8.4	↗
Series	95.8	
	471.4	



1:	9.3	↗
2:	9.9	↖
3:	10.0	↗
4:	9.6	←
5:	8.3	↖
6:	10.7x	↘
7:	8.2	←
8:	10.6x	↘
9:	7.7	↘
10:	10.7x	↘
Series	95.0	
	566.4	