

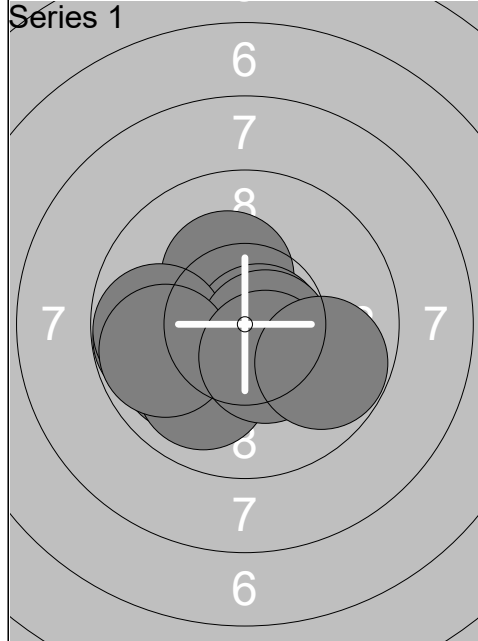
Relay	Lane	Betina Petersen		
6	2	DEN	W	R
Qual Day 3		Denmark Open Air 2026		Denmark Open Air 2026
11.02.2026				
Series 1 	1: 10.4x →	Series 2 	1: 10.7x ↗	
	2: 10.3x ↙		2: 10.6x ↖	
	3: 10.2x ↘		3: 10.7x →	
	4: 10.3x ↙		4: 10.8x ↓	
	5: 10.0 ←		5: 10.2x ↗	
	6: 10.2x ↘		6: 10.5x ↖	
	7: 10.6x ↓		7: 10.5x ↗	
	8: 10.7x ↙		8: 10.6x ↖	
	9: 10.4x ↖		9: 10.4x ↖	
	10: 10.2x ↗		10: 10.1 ↗	
	Series 103.3		Series 105.1	
	103.3		208.4	
Series 3 	1: 10.4x ↗	Series 4 	1: 10.1 ↗	
	2: 10.3x ↑		2: 10.3x →	
	3: 10.4x ↗		3: 9.9 →	
	4: 10.8x ↓		4: 10.9x ↖	
	5: 10.1 →		5: 10.3x →	
	6: 10.3x ↑		6: 10.5x ↖	
	7: 10.7x ↗		7: 10.6x ↘	
	8: 10.3x ↘		8: 10.8x ↖	
	9: 9.9 ↘		9: 10.0 ↖	
	10: 10.8x ↗		10: 10.3x →	
	Series 104.0		Series 103.7	
	312.4		416.1	
Series 5 	1: 9.4 ↙	Series 6 	1: 10.5x ↘	
	2: 10.4x ↓		2: 10.4x ↑	
	3: 10.1 ↙		3: 10.0 →	
	4: 10.8x ↙		4: 10.8x →	
	5: 10.8x ↙		5: 10.6x →	
	6: 10.3x ↘		6: 10.5x ↑	
	7: 10.5x ↓		7: 10.8x ↗	
	8: 10.4x ↙		8: 10.5x →	
	9: 10.3x →		9: 10.6x →	
	10: 9.6 →		10: 9.3 ←	
	Series 102.6		Series 104.0	
	518.7		622.7	

Relay	Lane	Helene Reigstad		
6	3	NOR	W	R
Qual Day 3		Denmark Open Air 2026		Denmark Open Air 2026
11.02.2026		Denmark Open Air 2026		Denmark Open Air 2026
Series 1 	1: 10.6x ↖	Series 2 	1: 10.0 →	
	2: 9.8 ←		2: 9.5 ↗	
	3: 10.4x ↓		3: 10.6x ↖	
	4: 10.5x ↓		4: 10.2x →	
	5: 9.5 ↖		5: 10.5x ←	
	6: 10.5x ↖		6: 10.4x ↓	
	7: 9.5 →		7: 10.4x ←	
	8: 9.6 →		8: 10.1 ↑	
	9: 10.7x ↗		9: 10.3x ↘	
	10: 10.0 ↖		10: 10.2x ↗	
	Series 101.1		Series 102.2	
	101.1		203.3	
Series 3 	1: 10.6x ←	Series 4 	1: 10.2x ↖	
	2: 10.5x ↓		2: 10.7x ←	
	3: 10.1 →		3: 10.1 ←	
	4: 10.5x ↖		4: 10.2x ↓	
	5: 9.7 ↑		5: 10.1 ↗	
	6: 10.4x ↗		6: 10.8x ↓	
	7: 9.3 ↘		7: 9.8 →	
	8: 10.3x ↓		8: 10.1 ↙	
	9: 9.8 →		9: 10.2x ↘	
	10: 9.8 ↗		10: 10.6x ↖	
	Series 101.0		Series 102.8	
	304.3		407.1	
Series 5 	1: 10.5x ↖	Series 6 	1: 10.8x ↘	
	2: 10.2x ↑		2: 9.9 ↘	
	3: 10.4x ↗		3: 10.7x →	
	4: 10.6x ↗		4: 10.6x ↙	
	5: 10.0 →		5: 10.6x ↗	
	6: 10.5x ↓		6: 10.3x ↗	
	7: 10.1 ↙		7: 10.7x ↘	
	8: 10.4x ←		8: 10.5x ↖	
	9: 10.3x ↓		9: 10.6x ↙	
	10: 9.7 →		10: 10.5x ↗	
	Series 102.7		Series 105.2	
	509.8		615.0	

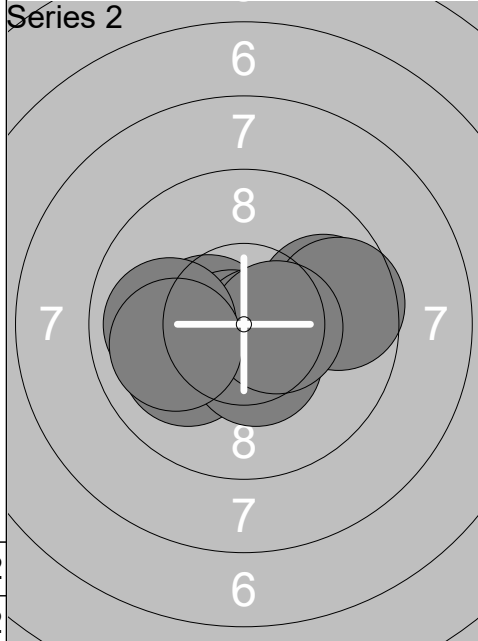
Relay	Lane	Katrine Christensen			
Qual Day 3		DEN		W	R
11.02.2026		Denmark Open Air 2026		Denmark Open Air 2026	
Series 1 	1: 10.6x ←	Series 2 	1: 10.5x ↓		
	2: 10.2x →		2: 10.8x ↓		
	3: 10.6x ↗		3: 10.2x →		
	4: 10.1 ←		4: 10.5x ←		
	5: 10.4x ←		5: 10.5x ↗		
	6: 10.6x ↓		6: 10.1 ←		
	7: 10.3x ↑		7: 10.2x ↓		
	8: 10.3x ↓		8: 10.6x ↑		
	9: 10.7x ↙		9: 10.3x ↓		
	10: 10.5x ↓		10: 10.1 ↙		
	Series 104.3		Series 103.8		
	104.3		208.1		
Series 3 	1: 9.8 →	Series 4 	1: 10.0 ↗		
	2: 10.4x ↓		2: 10.6x →		
	3: 10.0 →		3: 9.8 →		
	4: 10.7x ↓		4: 10.7x ↙		
	5: 10.2x →		5: 10.2x ←		
	6: 10.2x ↓		6: 10.2x ↘		
	7: 10.5x ↓		7: 10.5x ↓		
	8: 10.4x →		8: 10.5x ↗		
	9: 10.4x ↘		9: 10.4x →		
	10: 10.4x ↓		10: 10.4x ↘		
	Series 103.0		Series 103.3		
	311.1		414.4		
Series 5 	1: 10.9x ←	Series 6 	1: 10.8x ↗		
	2: 10.0 ↑		2: 10.8x ↑		
	3: 10.2x ↓		3: 10.8x ↑		
	4: 10.0 ↓		4: 10.2x ↓		
	5: 10.5x ↓		5: 10.5x ←		
	6: 10.4x ←		6: 9.0 ↙		
	7: 10.4x →		7: 10.6x ←		
	8: 10.4x ←		8: 10.3x ←		
	9: 10.3x ↙		9: 10.2x ↑		
	10: 9.8 ←		10: 10.1 →		
	Series 102.9		Series 103.3		
	517.3		620.6		

Relay	Lane	Mruga Keyurbhai Gandhi		
6	5	IND	W	R
Qual Day 3		Denmark Open Air 2026	Denmark Open Air 2026	
11.02.2026				
Series 1 	1: 10.3x ↘	Series 2 	1: 10.2x ←	
	2: 9.9 →		2: 9.6 ↙	
	3: 10.4x ↙		3: 10.3x →	
	4: 10.6x ←		4: 10.1 ↙	
	5: 10.5x →		5: 10.2x ↘	
	6: 10.4x ↗		6: 10.4x ↗	
	7: 10.1 ↑		7: 10.6x ↗	
	8: 10.5x ↑		8: 9.8 →	
	9: 9.3 ←		9: 10.1 →	
	10: 10.5x ↙		10: 10.1 ↘	
	Series 102.5	Series 101.4		
	102.5	203.9		
Series 3 	1: 10.2x ←	Series 4 	1: 10.2x ↓	
	2: 10.0 ↓		2: 10.7x ↗	
	3: 10.4x ↑		3: 9.9 ↑	
	4: 10.4x ↙		4: 10.9x	
	5: 10.3x ↘		5: 10.3x →	
	6: 10.3x ↙		6: 9.7 ↗	
	7: 10.1 ↓		7: 10.1 ↗	
	8: 10.3x ↑		8: 10.9x ↓	
	9: 10.3x ←		9: 10.5x ←	
	10: 10.8x →		10: 10.6x ↓	
	Series 103.1	Series 103.8		
	307.0	410.8		
Series 5 	1: 9.5 ↘	Series 6 	1: 10.1 ↗	
	2: 10.4x ↗		2: 10.8x ←	
	3: 10.5x ↘		3: 10.6x ←	
	4: 10.4x →		4: 10.3x ↙	
	5: 9.8 ←		5: 10.4x ↑	
	6: 10.8x ↗		6: 10.6x ↑	
	7: 9.8 ↓		7: 9.7 →	
	8: 9.8 ↓		8: 10.6x →	
	9: 10.6x →		9: 10.1 ↘	
	10: 10.2x ↗		10: 10.6x ↗	
	Series 101.8	Series 103.8		
	512.6	616.4		

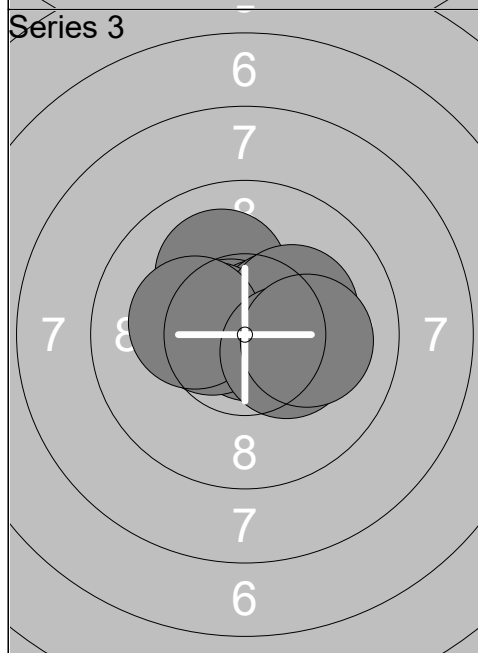
Relay	Lane	Rikke Bertelsen		
6	6	DEN	W	R
Qual Day 3		Denmark Open Air 2026		Denmark Open Air 2026
11.02.2026		Denmark Open Air 2026		Denmark Open Air 2026
Series 1 	1: 9.8 ←	Series 2 	1: 10.0 ↗	
	2: 10.6x →		2: 10.4x ↖	
	3: 10.3x →		3: 10.7x ←	
	4: 10.2x ↗		4: 10.5x ←	
	5: 9.7 ←		5: 10.5x ←	
	6: 10.3x ↓		6: 9.9 ←	
	7: 10.4x →		7: 10.6x ↖	
	8: 10.5x ↖		8: 10.9x ↙	
	9: 9.8 ←		9: 10.2x ←	
	10: 9.9 ↗		10: 10.1 ↗	
	Series 101.5	Series 103.8		
	101.5	205.3		
Series 3 	1: 10.3x ↖	Series 4 	1: 10.8x ↘	
	2: 10.3x ←		2: 10.5x →	
	3: 10.5x ↖		3: 10.7x ↖	
	4: 10.3x ↙		4: 10.5x ↖	
	5: 10.6x ←		5: 10.6x ↗	
	6: 10.4x →		6: 10.4x ↑	
	7: 10.4x ↗		7: 10.3x →	
	8: 10.4x →		8: 10.6x ↑	
	9: 10.2x ↗		9: 10.6x ↗	
	10: 10.0 ↗		10: 10.1 →	
	Series 103.4	Series 105.1		
	308.7	413.8		
Series 5 	1: 10.4x ↗	Series 6 	1: 10.6x ↓	
	2: 10.8x ↖		2: 10.3x →	
	3: 10.3x →		3: 10.4x ↙	
	4: 10.5x →		4: 10.9x ↙	
	5: 9.8 ←		5: 9.9 ↗	
	6: 10.4x ↓		6: 10.2x ↓	
	7: 10.8x ↙		7: 10.6x ↖	
	8: 9.9 →		8: 10.2x →	
	9: 10.6x ←		9: 10.5x →	
	10: 10.6x ↙		10: 10.7x →	
	Series 104.1	Series 104.3		
	517.9	622.2		



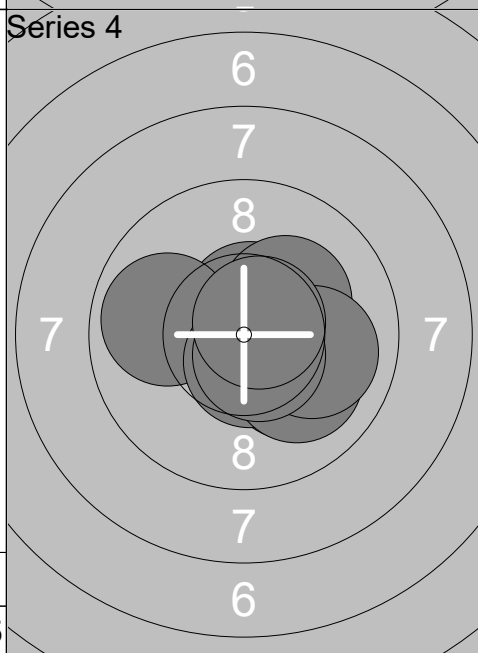
1:	10.3x ↗
2:	9.8 ←
3:	10.7x →
4:	9.8 ←
5:	10.0 ↙
6:	10.6x →
7:	10.0 ↙
8:	9.8 ←
9:	10.4x ↘
10:	9.8 →
Series	101.2
	101.2



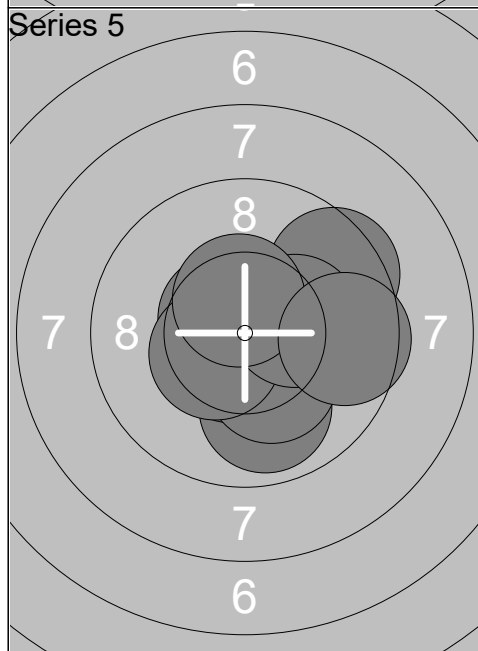
1:	9.8 →
2:	10.1 ↙
3:	10.5x ←
4:	10.7x ↙
5:	10.7x →
6:	10.4x ↘
7:	9.6 →
8:	10.5x →
9:	9.9 ←
10:	10.0 ←
Series	102.2
	203.4



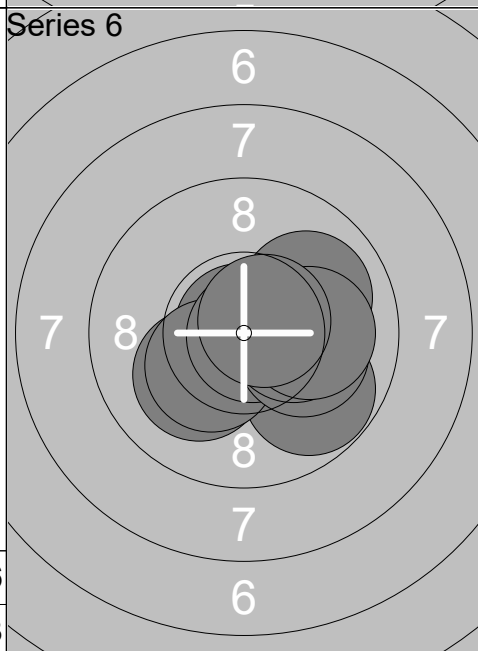
1:	10.1 ↗
2:	10.7x ↙
3:	10.7x →
4:	10.9x →
5:	10.4x →
6:	10.5x ←
7:	10.2x →
8:	10.2x ←
9:	10.3x →
10:	10.1 →
Series	104.1
	307.5



1:	10.6x ↗
2:	10.4x →
3:	9.9 ←
4:	10.3x ↗
5:	10.1 ↘
6:	10.6x ↘
7:	10.0 ↘
8:	10.0 →
9:	10.6x ↘
10:	10.7x ↗
Series	103.2
	410.7



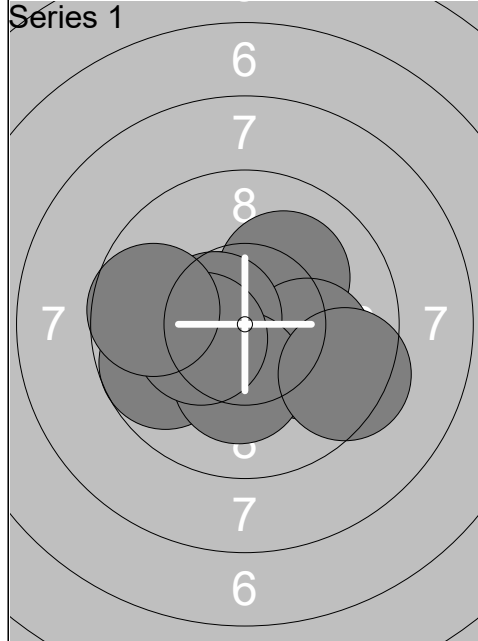
1:	9.9 ↘
2:	10.6x ↘
3:	10.3x ↘
4:	10.6x ↙
5:	10.0 →
6:	9.5 ↗
7:	10.4x ↙
8:	10.2x →
9:	10.5x ↗
10:	9.6 →
Series	101.6
	512.3



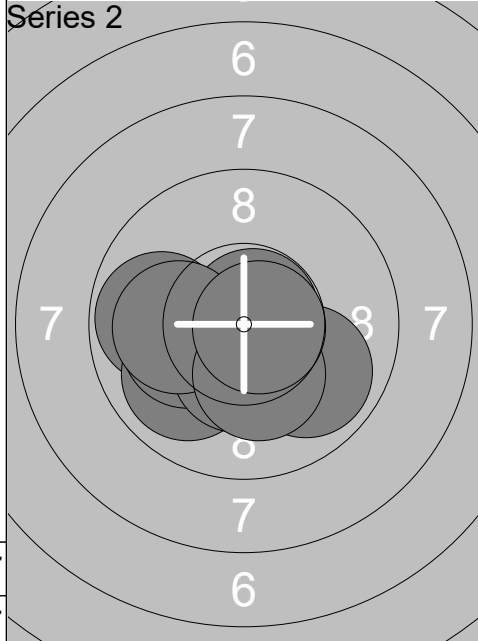
1:	9.8 ↘
2:	10.1 ↙
3:	10.9x ↙
4:	10.0 →
5:	10.3x ↙
6:	10.8x →
7:	10.1 →
8:	10.3x →
9:	10.1 →
10:	10.6x ↗
Series	103.0
	615.3

Relay	Lane	Anne Bakke Nielsen			
6	8	DEN		W	R
Qual Day 3		Denmark Open Air 2026		Denmark Open Air 2026	
11.02.2026		Denmark Open Air 2026		Denmark Open Air 2026	
Series 1 	1: 9.8 ➔	Series 2 	1: 9.7 ➔		
	2: 10.7x ↘		2: 10.3x ↙		
	3: 10.6x ↘		3: 10.0 ↖		
	4: 10.4x ↙		4: 10.0 ↑		
	5: 10.6x ↗		5: 9.7 ↑		
	6: 10.4x ➔		6: 10.5x ↗		
	7: 10.4x ➔		7: 10.2x ➔		
	8: 10.0 ↗		8: 10.7x ↘		
	9: 9.2 ➔		9: 10.0 ↖		
	10: 9.9 ↘		10: 10.6x ↑		
	Series 102.0		Series 101.7		
	102.0		203.7		
Series 3 	1: 10.6x ↘	Series 4 	1: 10.5x ↘		
	2: 10.4x ➔		2: 10.6x ↘		
	3: 10.2x ↘		3: 10.6x ↑		
	4: 10.7x ↙		4: 10.3x ↖		
	5: 10.3x ➔		5: 10.4x ↙		
	6: 10.7x ↗		6: 10.4x ↑		
	7: 10.6x ➔		7: 10.6x ↘		
	8: 10.2x ↙		8: 10.4x ↖		
	9: 10.8x ↗		9: 10.4x ↘		
	10: 10.3x ↖		10: 9.9 ➔		
	Series 104.8		Series 104.1		
	308.5		412.6		
Series 5 	1: 10.8x ↑	Series 6 	1: 10.3x ↙		
	2: 10.7x ➔		2: 10.6x ↘		
	3: 10.0 ➔		3: 10.5x ↖		
	4: 10.6x ↘		4: 10.3x ➔		
	5: 10.6x ↙		5: 9.9 ➔		
	6: 10.5x ➔		6: 10.4x ↘		
	7: 10.7x ↘		7: 9.5 ↑		
	8: 10.3x ↑		8: 10.2x ↘		
	9: 10.4x ↙		9: 10.7x ↘		
	10: 10.7x ↗		10: 10.7x ↖		
	Series 105.3		Series 103.1		
	517.9		621.0		

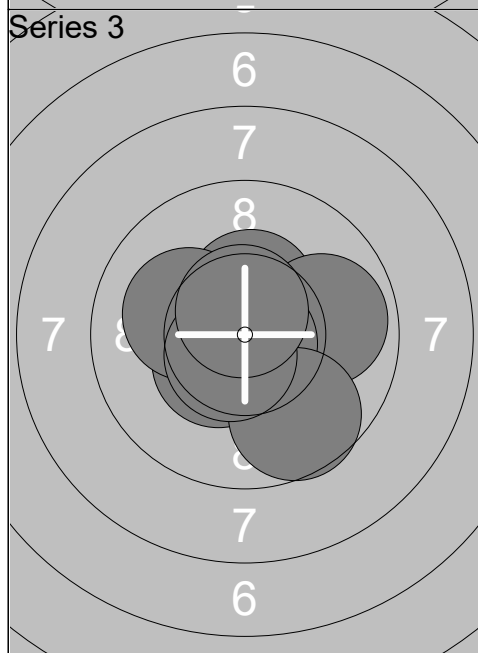
Relay	Lane	Essi Heiskanen			
Qual Day 3		FIN		W	R
11.02.2026		Denmark Open Air 2026		Denmark Open Air 2026	
Series 1 	1: 10.0 ↑	Series 2 	1: 10.1 ←		
	2: 10.0 ↑		2: 10.4x →		
	3: 10.1 ↓		3: 10.5x ↖		
	4: 10.4x ↙		4: 10.7x ↙		
	5: 9.7 ←		5: 10.2x ↗		
	6: 10.6x ↓		6: 10.4x ↖		
	7: 9.9 →		7: 10.3x ↑		
	8: 10.5x ↙		8: 10.6x ↖		
	9: 10.4x ↙		9: 10.6x ↖		
	10: 10.4x ↓		10: 10.6x →		
	Series 102.0		Series 104.4		
	102.0		206.4		
Series 3 	1: 10.9x ↙	Series 4 	1: 10.8x →		
	2: 10.3x ↗		2: 10.7x ↓		
	3: 10.1 ↑		3: 10.1 ↓		
	4: 10.6x ↙		4: 10.2x ↓		
	5: 10.3x ↗		5: 10.4x ↗		
	6: 10.3x ↑		6: 10.4x ↓		
	7: 10.1 ←		7: 10.2x →		
	8: 10.6x →		8: 10.4x ↓		
	9: 10.5x ↙		9: 10.5x ↖		
	10: 9.7 →		10: 10.6x ↓		
	Series 103.4		Series 104.3		
	309.8		414.1		
Series 5 	1: 10.1 ↙	Series 6 	1: 9.6 ←		
	2: 10.5x ↑		2: 9.9 ↓		
	3: 10.5x →		3: 10.7x →		
	4: 10.5x ↙		4: 10.5x ↙		
	5: 10.7x ↙		5: 10.3x ↓		
	6: 10.8x ↗		6: 10.2x ↙		
	7: 10.2x ↓		7: 10.4x ↑		
	8: 10.2x ↑		8: 10.0 ↗		
	9: 10.3x ↖		9: 10.5x ↙		
	10: 10.3x ↙		10: 10.7x ↓		
	Series 104.1		Series 102.8		
	518.2		621.0		



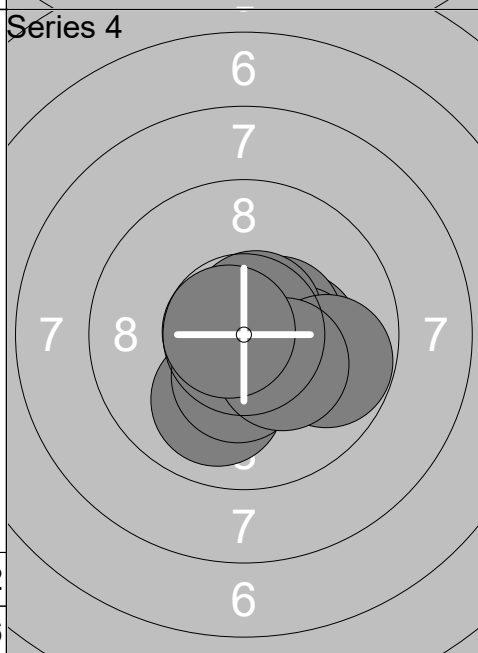
1:	10.6x ←
2:	10.1 ↗
3:	10.0 →
4:	10.1 →
5:	9.7 ←
6:	10.6x ←
7:	10.2x ↓
8:	9.4 →
9:	10.3x ←
10:	9.7 ←
Series	100.7
	100.7



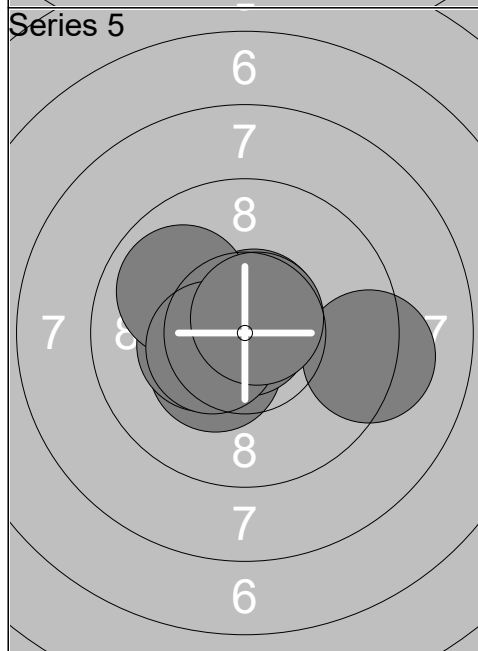
1:	9.8 ←
2:	9.9 ↘
3:	9.9 ↙
4:	10.8x ↗
5:	10.6x ↓
6:	10.2x ←
7:	10.4x ↓
8:	10.1 ←
9:	10.2x ↓
10:	10.8x →
Series	102.7
	203.4



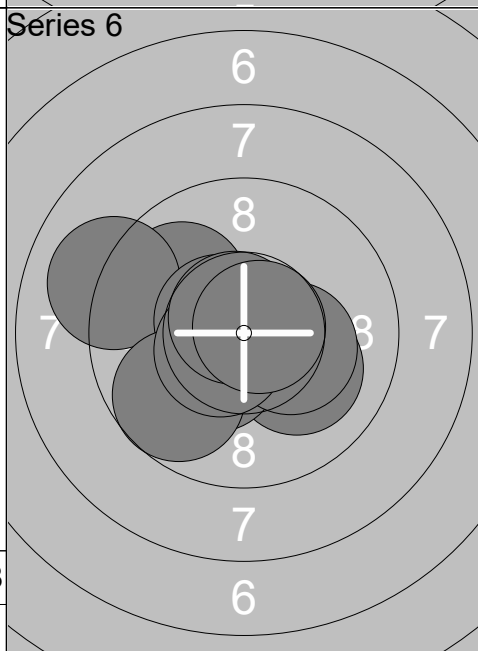
1:	10.4x ↑
2:	10.6x →
3:	10.1 →
4:	9.9 →
5:	10.8x ↓
6:	10.4x ↙
7:	9.7 ↓
8:	10.1 ←
9:	10.6x ↙
10:	10.6x ↑
Series	103.2
	306.6



1:	10.3x →
2:	10.0 ↓
3:	10.7x →
4:	10.4x ↓
5:	10.5x →
6:	10.2x →
7:	10.7x ↗
8:	9.8 →
9:	10.3x ↘
10:	10.8x ←
Series	103.7
	410.3



1:	10.4x ↙
2:	10.7x ↗
3:	10.4x ←
4:	10.4x ←
5:	10.5x ←
6:	10.9x ↑
7:	10.0 ↙
8:	10.5x ←
9:	9.3 →
10:	10.7x ↗
Series	103.8
	514.1



1:	10.1 ↘
2:	9.9 ↙
3:	10.4x ↙
4:	9.1 ←
5:	10.6x ←
6:	9.7 ↙
7:	10.3x →
8:	10.6x ↙
9:	10.7x ↗
10:	10.7x →
Series	102.1
	616.2

Relay	Lane	Moa Nilsson		
6	11	SWE	W	R
Qual Day 3		Denmark Open Air 2026		Denmark Open Air 2026
11.02.2026				
Series 1 	1: 10.1 ↘	Series 2 	1: 10.3x ↘	
	2: 10.3x ↗		2: 9.5 →	
	3: 10.3x ↗		3: 9.9 ↙	
	4: 9.6 ↑		4: 10.5x ↓	
	5: 9.9 ←		5: 10.1 ↓	
	6: 9.8 ↙		6: 10.7x ↖	
	7: 10.1 ↓		7: 10.6x ↗	
	8: 9.8 ↗		8: 10.4x ↗	
	9: 10.0 ↗		9: 10.7x ↓	
	10: 10.5x ↓		10: 10.3x ↗	
	Series 100.4		Series 103.0	
	100.4		203.4	
Series 3 	1: 10.6x ↗	Series 4 	1: 9.8 →	
	2: 10.5x ↙		2: 10.8x ↙	
	3: 10.2x →		3: 10.6x ↓	
	4: 10.8x ↓		4: 10.3x ↙	
	5: 9.7 ↗		5: 10.0 ↓	
	6: 10.5x ↗		6: 9.8 →	
	7: 10.2x ↗		7: 10.3x →	
	8: 10.2x ↗		8: 9.8 ↙	
	9: 10.7x ↓		9: 10.4x ↓	
	10: 10.3x ↙		10: 9.7 →	
	Series 103.7		Series 101.5	
	307.1		408.6	
Series 5 	1: 10.2x ↙	Series 6 	1: 9.9 ↙	
	2: 9.6 →		2: 10.8x ↓	
	3: 10.8x ↓		3: 10.2x ↓	
	4: 10.1 ←		4: 10.5x ↙	
	5: 10.8x ↘		5: 10.3x ↙	
	6: 10.6x ↗		6: 9.9 →	
	7: 10.2x →		7: 10.6x ↘	
	8: 9.9 →		8: 10.3x ↗	
	9: 10.0 ←		9: 10.2x →	
	10: 10.5x ↖		10: 10.5x ↓	
	Series 102.7		Series 103.2	
	511.3		614.5	

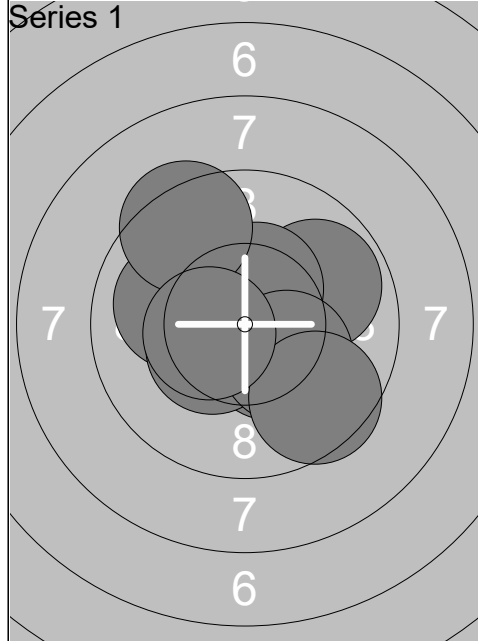
Relay	Lane	Rikke Mæng Ibsen		
6	12	DEN	W	R
Qual Day 3		Denmark Open Air 2026		Denmark Open Air 2026
11.02.2026		Denmark Open Air 2026		Denmark Open Air 2026
Series 1 	1: 10.7x ↘	Series 2 	1: 10.5x ⇒	
	2: 10.7x ↘		2: 10.3x ↙	
	3: 10.3x ↙		3: 10.8x ⇒	
	4: 10.5x ↑		4: 10.6x ↑	
	5: 10.5x ↑		5: 10.5x ⇐	
	6: 9.9 ↗		6: 10.5x ↗	
	7: 10.5x ⇐		7: 10.5x ⇐	
	8: 10.7x →		8: 10.1 ←	
	9: 10.7x ↖		9: 10.5x ⇐	
	10: 10.5x ↑		10: 10.3x →	
	Series 105.0	Series 104.6		
	105.0	209.6		
Series 3 	1: 10.3x ⇐	Series 4 	1: 10.5x ↙	
	2: 10.7x ↗		2: 10.6x ⇐	
	3: 10.7x ↘		3: 10.9x ↘	
	4: 10.7x ⇒		4: 9.7 →	
	5: 9.6 ↘		5: 10.7x ⇒	
	6: 10.2x ↗		6: 10.7x ↘	
	7: 10.5x ↓		7: 10.6x ↓	
	8: 9.7 ←		8: 10.6x ↑	
	9: 10.6x ↗		9: 10.7x ↖	
	10: 10.8x →		10: 10.5x ⇐	
	Series 103.8	Series 105.5		
	313.4	418.9		
Series 5 	1: 10.5x ↖	Series 6 	1: 10.4x ↑	
	2: 10.8x ↘		2: 10.7x ⇐	
	3: 10.3x ↖		3: 10.6x ⇐	
	4: 10.4x ⇐		4: 10.7x ⇐	
	5: 10.8x ⇐		5: 10.4x ↗	
	6: 10.4x ↑		6: 10.2x ↗	
	7: 10.7x ↗		7: 10.5x ↘	
	8: 10.8x ⇐		8: 10.7x ↘	
	9: 10.4x ↘		9: 10.2x ↗	
	10: 10.6x ↘		10: 10.7x ⇐	
	Series 105.7	Series 105.1		
	524.6	629.7		

Relay	Lane	Viivi Kemppe			
6	14	FIN		W	R
Qual Day 3		Denmark Open Air 2026		Denmark Open Air 2026	
11.02.2026					
Series 1 	1: 10.3x ↖	Series 2 	1: 10.4x ↗		
	2: 10.3x ↖		2: 10.8x ↖		
	3: 10.6x ↗		3: 10.6x ↘		
	4: 10.6x ↘		4: 10.7x →		
	5: 9.9 ←		5: 10.6x ↘		
	6: 10.8x ↗		6: 10.5x ↗		
	7: 10.6x ↘		7: 10.6x ↘		
	8: 10.3x ↘		8: 10.5x →		
	9: 10.1 ←		9: 9.0 ↘		
	10: 10.1 ↑		10: 10.8x →		
	Series 103.6		Series 104.5		
	103.6		208.1		
Series 3 	1: 10.2x ↖	Series 4 	1: 10.6x ↗		
	2: 10.8x ↘		2: 10.7x ↙		
	3: 10.7x ↙		3: 10.5x ↑		
	4: 10.3x ↙		4: 10.7x ↑		
	5: 10.7x ↙		5: 10.6x ↑		
	6: 10.8x ↗		6: 10.5x ↙		
	7: 10.3x ↑		7: 10.6x ↗		
	8: 10.4x ↖		8: 10.8x →		
	9: 10.6x ↙		9: 10.8x ↘		
	10: 10.6x ↑		10: 10.4x ↖		
	Series 105.4		Series 106.2		
	313.5		419.7		
Series 5 	1: 10.6x ↑	Series 6 	1: 10.5x →		
	2: 10.6x ↘		2: 10.5x ↖		
	3: 9.9 ↙		3: 10.4x →		
	4: 10.4x ↙		4: 10.2x ↘		
	5: 10.7x ↗		5: 10.6x ↘		
	6: 10.8x ↑		6: 10.9x ↙		
	7: 10.3x →		7: 10.8x ↙		
	8: 10.1 ↑		8: 10.7x ↑		
	9: 10.5x ↗		9: 10.6x ↘		
	10: 10.8x ↖		10: 10.4x ↘		
	Series 104.7		Series 105.6		
	524.4		630.0		

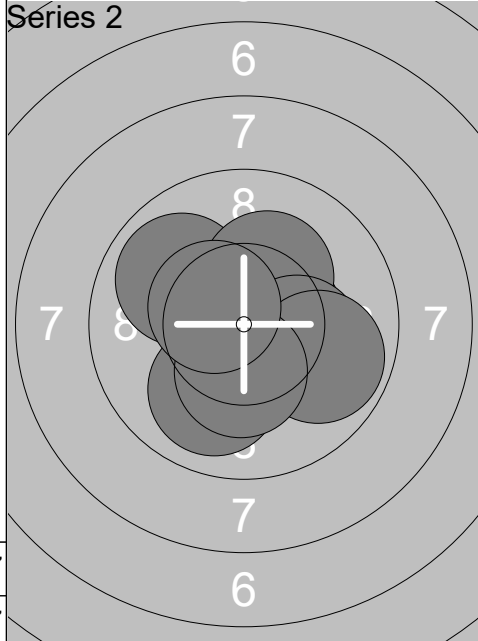
Relay	Lane	Anna Skade Nielsen			
6	15	DEN		W	R
Qual Day 3		Denmark Open Air 2026		Denmark Open Air 2026	
11.02.2026		Denmark Open Air 2026		Denmark Open Air 2026	
Series 1 	1: 9.3 ←	Series 2 	1: 10.6x ←		
	2: 10.6x ↗		2: 10.5x ↘		
	3: 10.8x →		3: 10.3x ↘		
	4: 10.1 ↗		4: 9.9 ↗		
	5: 10.3x ↖		5: 10.3x ↘		
	6: 10.6x ↙		6: 10.6x ↖		
	7: 10.1 ↗		7: 10.8x →		
	8: 10.4x ↖		8: 10.7x ↑		
	9: 10.3x ↗		9: 10.8x ↗		
	10: 10.9x ↗		10: 10.5x ←		
	Series 103.4		Series 105.0		
	103.4		208.4		
Series 3 	1: 10.7x →	Series 4 	1: 10.4x ↖		
	2: 10.5x ←		2: 10.3x ↘		
	3: 10.8x ↖		3: 10.3x ←		
	4: 10.6x ↘		4: 10.8x ↖		
	5: 10.1 →		5: 10.8x ↘		
	6: 10.6x ↗		6: 10.6x ↗		
	7: 10.7x ↑		7: 10.4x →		
	8: 10.6x →		8: 10.5x ↘		
	9: 10.6x ↘		9: 10.4x ↗		
	10: 10.8x →		10: 10.5x →		
	Series 106.0		Series 105.0		
	314.4		419.4		
Series 5 	1: 10.7x →	Series 6 	1: 10.5x →		
	2: 10.5x ↑		2: 10.1 ↓		
	3: 10.9x ↗		3: 9.9 ↓		
	4: 10.9x ←		4: 10.5x ↘		
	5: 10.8x →		5: 10.2x ↖		
	6: 10.6x ↗		6: 10.2x ↖		
	7: 10.9x ↑		7: 10.6x ↖		
	8: 10.6x ↖		8: 10.2x ↑		
	9: 10.3x ↙		9: 10.8x ↓		
	10: 10.7x ↘		10: 10.3x ↗		
	Series 106.9		Series 103.3		
	526.3		629.6		

Relay	Lane	Emma Vandevyvere			
6	16	BEL		W	R
Qual Day 3		Denmark Open Air 2026		Denmark Open Air 2026	
11.02.2026					
Series 1 	1: 10.4x ↗	Series 2 	1: 10.2x ↗		
	2: 10.4x ↗		2: 10.4x ↖		
	3: 10.7x →		3: 10.1 ↘		
4: 10.2x ←	4: 10.5x →	5: 10.4x ←	5: 10.4x ←		
5: 10.3x ←	6: 10.8x ↗	6: 10.8x ↗	6: 10.8x ↗		
6: 10.1 ↗	7: 10.3x ↖	7: 10.3x ↖	7: 10.3x ↖		
7: 10.0 ↗	8: 10.5x ←	8: 10.5x ←	8: 10.5x ←		
8: 10.5x ←	9: 10.8x ↑	9: 10.8x ↑	9: 10.8x ↑		
9: 10.4x ↗	10: 10.3x ↗	10: 10.3x ↗	10: 10.3x ↗		
10: 10.4x ↑					
Series	103.4	Series	104.3		
	103.4		207.7		
Series 3 	1: 10.0 ←	Series 4 	1: 10.4x ←		
	2: 10.4x →		2: 10.7x →		
	3: 10.0 ↑		3: 10.4x ↖		
4: 10.5x ↓	4: 10.8x ←	4: 10.8x ←	4: 10.8x ←		
5: 10.3x →	5: 10.0 ↗	5: 10.0 ↗	5: 10.0 ↗		
6: 10.8x ↑	6: 10.5x ↓	6: 10.5x ↓	6: 10.5x ↓		
7: 10.5x →	7: 10.7x ↗	7: 10.7x ↗	7: 10.7x ↗		
8: 10.7x ↖	8: 10.3x ↘	8: 10.3x ↘	8: 10.3x ↘		
9: 10.1 →	9: 9.8 ←	9: 9.8 ←	9: 9.8 ←		
10: 10.3x ↖	10: 10.7x ↗	10: 10.7x ↗	10: 10.7x ↗		
Series	103.6	Series	104.3		
	311.3		415.6		
Series 5 	1: 9.9 →	Series 6 	1: 10.8x ↖		
	2: 10.5x ↖		2: 10.6x ↑		
	3: 10.1 ↗		3: 10.2x ↑		
4: 10.3x ←	4: 9.7 ↗	4: 9.7 ↗	4: 9.7 ↗		
5: 10.7x ↘	5: 10.4x ↑	5: 10.4x ↑	5: 10.4x ↑		
6: 10.5x ↗	6: 10.3x →	6: 10.3x →	6: 10.3x →		
7: 10.5x ↓	7: 10.1 →	7: 10.1 →	7: 10.1 →		
8: 10.6x ←	8: 9.9 ←	8: 9.9 ←	8: 9.9 ←		
9: 10.1 →	9: 10.5x →	9: 10.5x →	9: 10.5x →		
10: 10.5x →	10: 10.1 ←	10: 10.1 ←	10: 10.1 ←		
Series	103.7	Series	102.6		
	519.3		621.9		

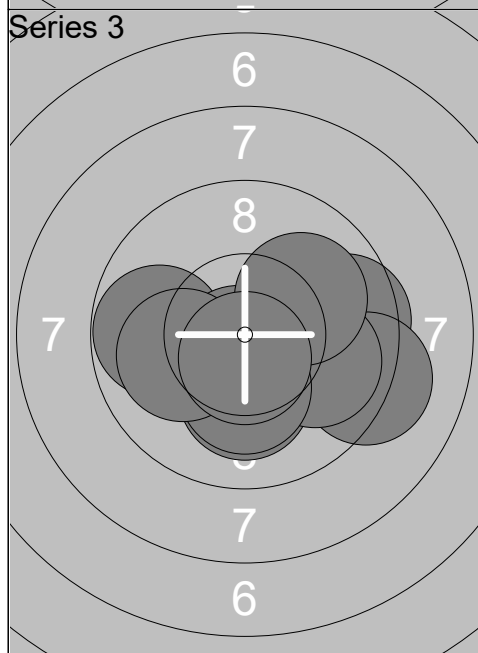
Relay	Lane	Isabelle Johansson		
6	17	SWE	W	R
Qual Day 3		Denmark Open Air 2026		Denmark Open Air 2026
11.02.2026				
Series 1 	1: 10.4x ↘	Series 2 	1: 10.2x ↘	
	2: 10.2x ↗		2: 10.2x ←	
	3: 9.8 ↗		3: 10.8x ↓	
	4: 9.2 →		4: 10.7x ↘	
	5: 9.9 →		5: 10.5x ↗	
	6: 10.9x ←		6: 10.3x ↓	
	7: 10.7x ↗		7: 10.5x ←	
	8: 10.4x ↗		8: 10.0 ↑	
	9: 10.4x ↑		9: 10.6x ←	
	10: 10.8x ↖		10: 10.5x ↘	
	Series 102.7		Series 104.3	
	102.7		207.0	
Series 3 	1: 10.4x ↘	Series 4 	1: 10.7x ↘	
	2: 10.5x ←		2: 10.8x ↙	
	3: 10.4x ↘		3: 10.4x ↖	
	4: 10.1 →		4: 10.6x ←	
	5: 10.6x ↑		5: 10.0 ←	
	6: 10.7x ↙		6: 10.7x ↑	
	7: 10.0 ↗		7: 10.5x →	
	8: 10.4x ↗		8: 10.8x ↑	
	9: 10.5x →		9: 9.8 ↖	
	10: 10.6x ↓		10: 9.8 →	
	Series 104.2		Series 104.1	
	311.2		415.3	
Series 5 	1: 10.5x ←	Series 6 	1: 10.2x ↗	
	2: 10.2x ↗		2: 10.6x ↘	
	3: 10.7x →		3: 10.3x ↙	
	4: 10.1 ↖		4: 10.4x ↖	
	5: 10.7x ↖		5: 10.6x ↖	
	6: 10.8x ←		6: 10.6x ↑	
	7: 10.5x ↑		7: 10.6x ←	
	8: 10.3x ↓		8: 10.7x ↓	
	9: 10.5x ↑		9: 10.3x ↘	
	10: 10.5x →		10: 10.3x ↙	
	Series 104.8		Series 104.6	
	520.1		624.7	



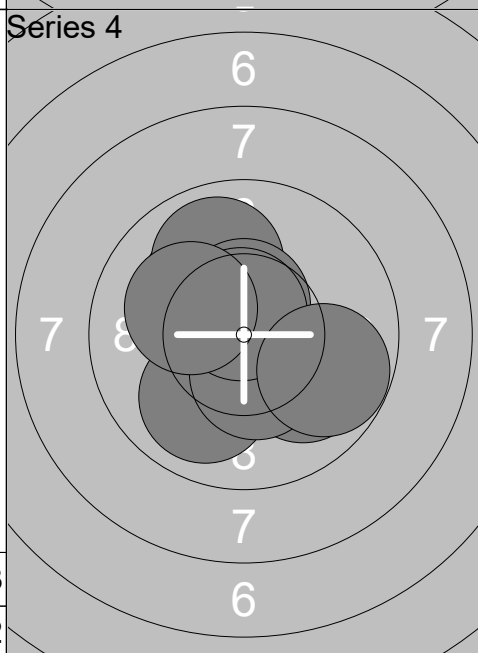
1:	10.0	←
2:	9.9	→
3:	10.8x	←
4:	10.4x	↘
5:	10.5x	↗
6:	10.4x	↙
7:	10.3x	↘
8:	9.4	↗
9:	9.6	↘
10:	10.4x	←
Series	101.7	
	101.7	



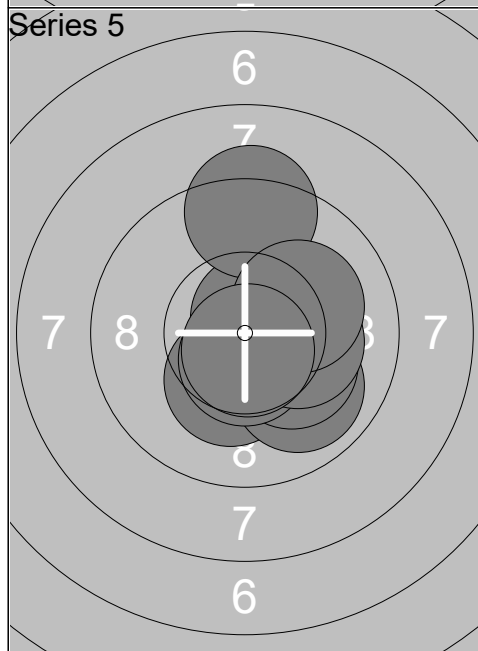
1:	10.0	↘
2:	9.9	↙
3:	10.8x	↑
4:	10.5x	→
5:	10.8x	↘
6:	10.3x	↗
7:	10.2x	→
8:	9.9	→
9:	10.3x	↘
10:	10.5x	↙
Series	103.2	
	204.9	



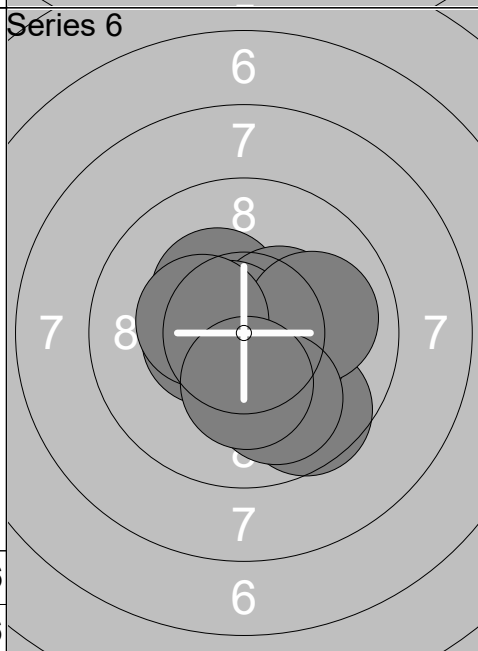
1:	9.6	→
2:	10.2x	↘
3:	9.2	→
4:	9.9	→
5:	9.8	←
6:	10.2x	↘
7:	10.7x	↘
8:	10.1	←
9:	10.0	↗
10:	10.6x	↘
Series	100.3	
	305.2	



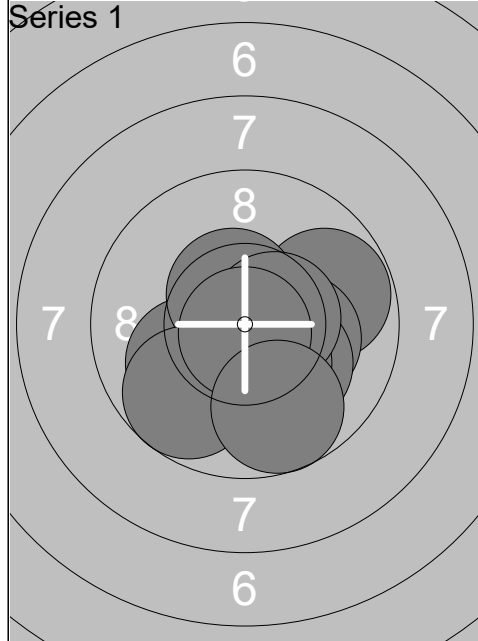
1:	10.0	↘
2:	10.0	↘
3:	10.1	↗
4:	10.2x	↙
5:	9.9	↗
6:	10.4x	↘
7:	10.6x	↑
8:	10.7x	↑
9:	9.8	→
10:	10.1	↙
Series	101.8	
	407.0	



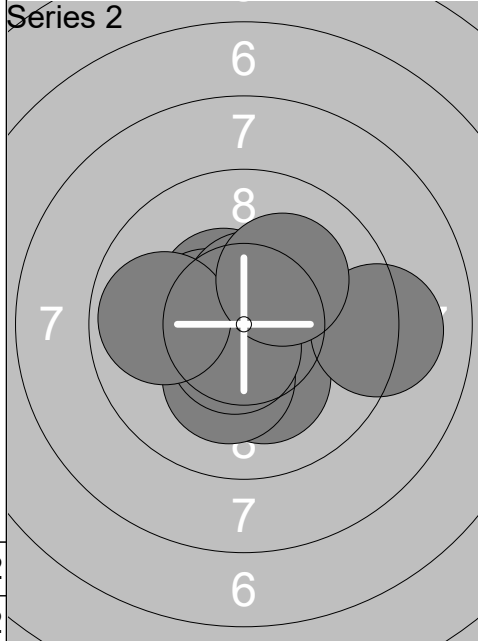
1:	10.3x	↘
2:	9.9	↘
3:	10.6x	↗
4:	10.7x	↗
5:	10.2x	→
6:	9.3	↑
7:	10.6x	↘
8:	10.2x	→
9:	10.1	↗
10:	10.7x	↘
Series	102.6	
	509.6	



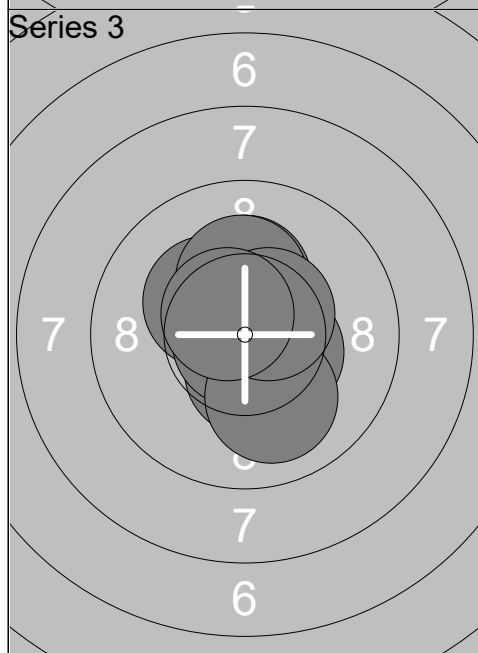
1:	10.3x	↗
2:	9.6	↘
3:	10.4x	↗
4:	10.4x	→
5:	10.5x	←
6:	10.7x	↙
7:	10.0	→
8:	10.4x	↙
9:	10.0	↘
10:	10.3x	↘
Series	102.6	
	612.2	



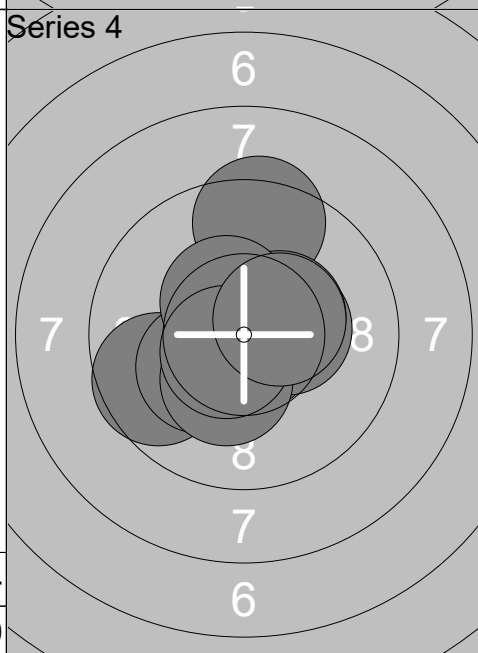
1:	10.1	↙
2:	9.8	➔
3:	10.5x	↗
4:	10.2x	➔
5:	10.2x	↘
6:	10.4x	↘
7:	10.6x	➔
8:	9.8	↘
9:	10.8x	↘
10:	9.8	↘
Series	102.2	
	102.2	



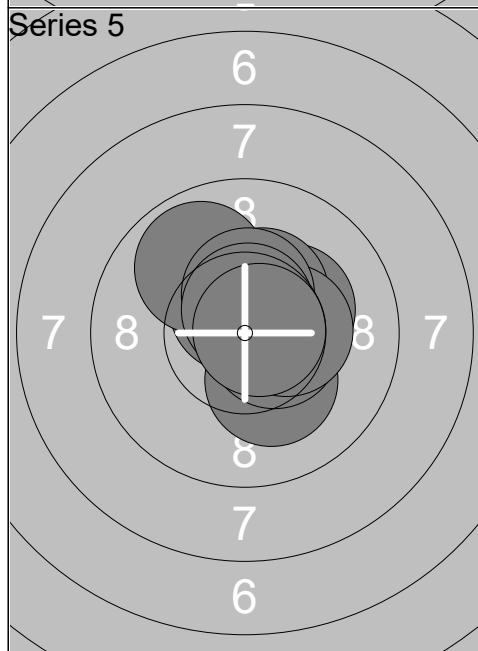
1:	10.2x	↘
2:	10.6x	↙
3:	10.2x	↘
4:	10.5x	↗
5:	10.4x	↙
6:	9.2	➔
7:	10.6x	↗
8:	10.6x	↘
9:	9.9	↙
10:	10.2x	↗
Series	102.4	
	204.6	



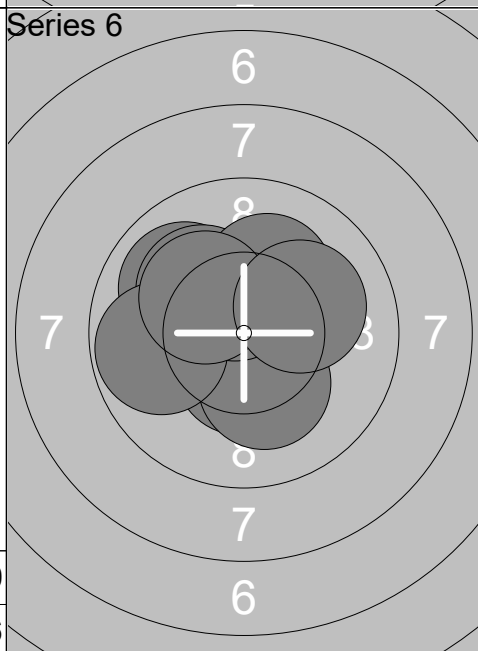
1:	10.3x	↖
2:	10.2x	↗
3:	10.8x	↗
4:	10.5x	↘
5:	10.8x	↙
6:	10.5x	➔
7:	10.0	↘
8:	10.2x	↗
9:	10.5x	↗
10:	10.6x	↖
Series	104.4	
	309.0	



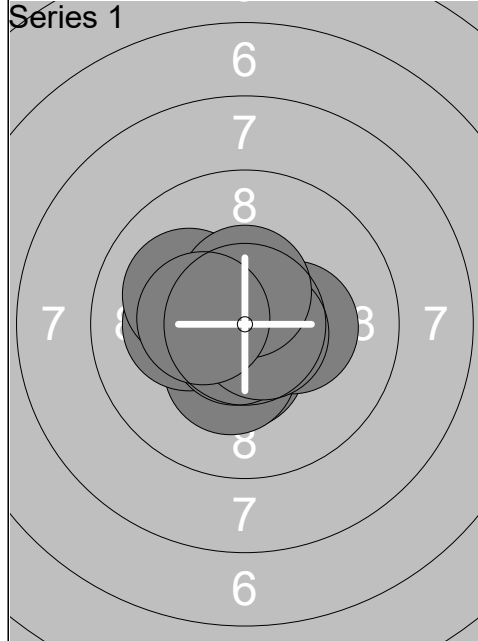
1:	9.6	↙
2:	10.8x	↘
3:	9.4	↗
4:	10.4x	➔
5:	10.4x	↗
6:	10.3x	↙
7:	10.4x	↖
8:	10.3x	↘
9:	10.6x	↙
10:	10.4x	➔
Series	102.6	
	411.6	



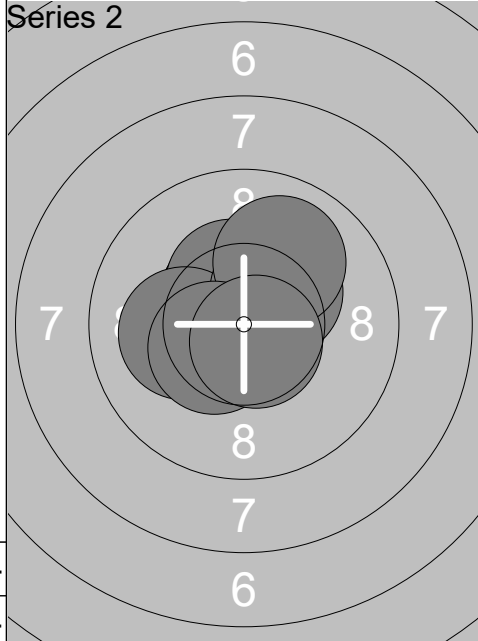
1:	10.2x	↘
2:	10.3x	➔
3:	10.5x	➔
4:	10.4x	↗
5:	10.6x	↗
6:	10.4x	➔
7:	9.9	↗
8:	10.4x	↗
9:	10.6x	↗
10:	10.7x	➔
Series	104.0	
	515.6	



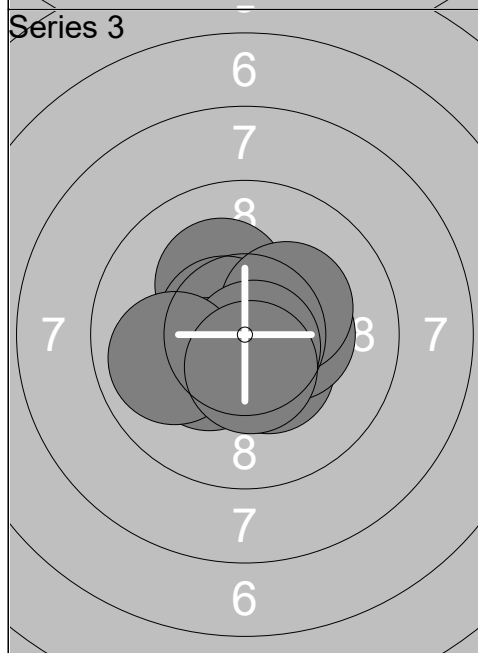
1:	10.5x	↘
2:	10.5x	↗
3:	10.2x	↘
4:	10.0	↖
5:	10.4x	↗
6:	10.2x	↖
7:	10.2x	↗
8:	9.8	↙
9:	10.2x	↖
10:	10.1	➔
Series	102.1	
	617.7	



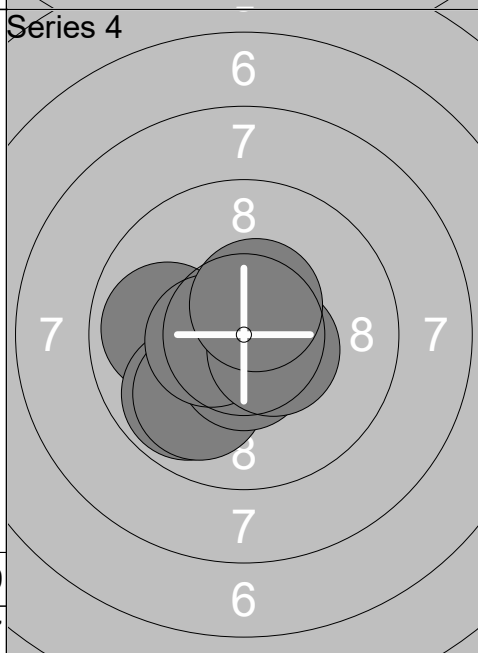
1:	10.4x ↓
2:	10.3x ↓
3:	10.3x →
4:	10.8x ↙
5:	10.2x ←
6:	10.7x ↓
7:	10.1 ↙
8:	10.7x ↘
9:	10.5x ↑
10:	10.4x ←
Series	104.4
	104.4



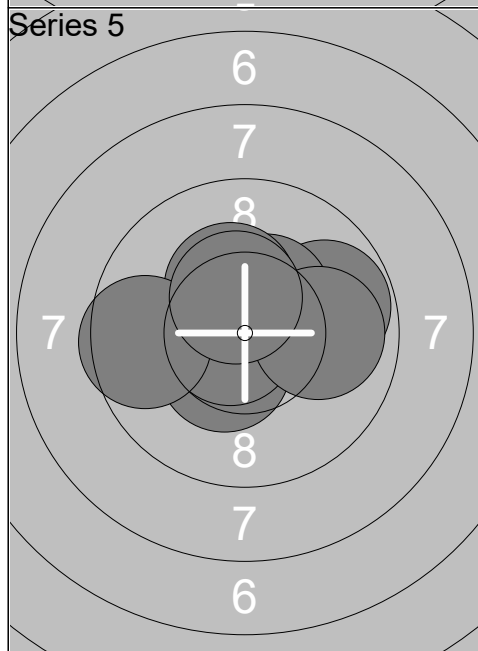
1:	10.9x ←
2:	10.5x ↖
3:	10.5x ↖
4:	10.5x ←
5:	10.4x ↑
6:	10.2x ←
7:	10.3x ↗
8:	10.0 ↗
9:	10.4x ↙
10:	10.7x ↓
Series	104.4
	208.8



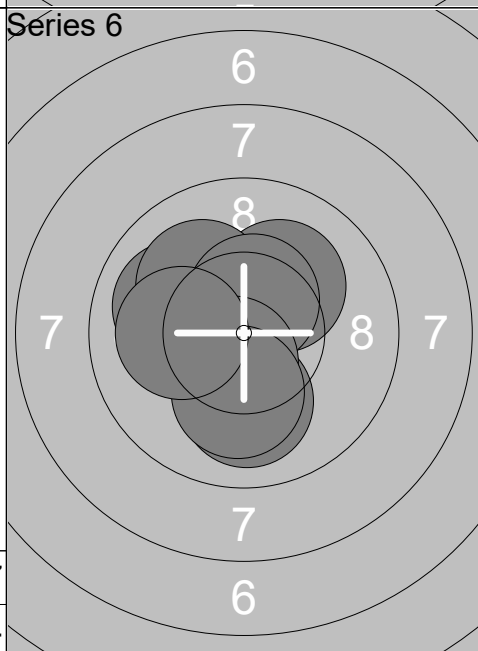
1:	10.4x ↓
2:	10.4x →
3:	10.5x ←
4:	10.2x ↖
5:	10.6x ↖
6:	10.3x ↗
7:	10.3x ↙
8:	10.8x ↓
9:	9.9 ←
10:	10.5x ↓
Series	103.9
	312.7



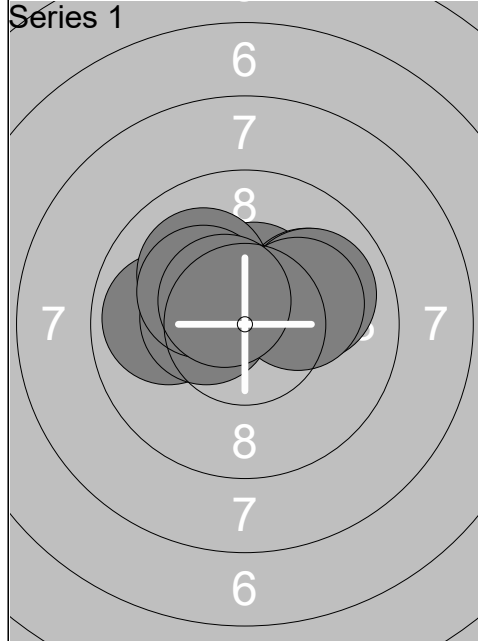
1:	9.9 ←
2:	9.9 ↙
3:	10.9x ↙
4:	9.9 ↙
5:	10.7x ←
6:	10.6x ↓
7:	10.6x ↓
8:	10.5x ←
9:	10.5x ↘
10:	10.5x ↗
Series	104.0
	416.7



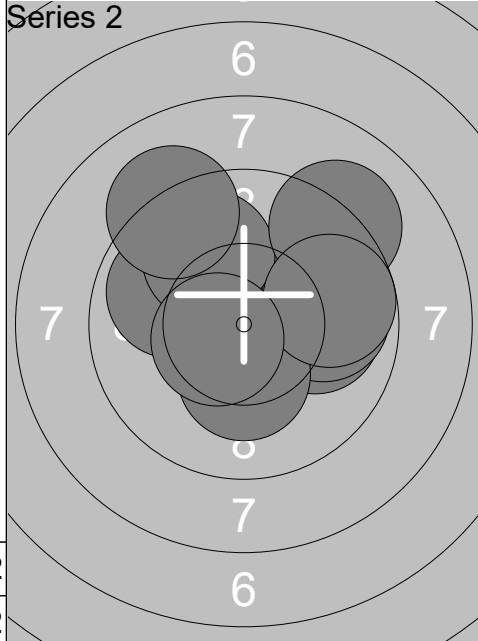
1:	10.8x ←
2:	10.4x ↑
3:	9.8 →
4:	10.4x ↗
5:	10.3x ↑
6:	10.4x ↓
7:	10.7x ←
8:	9.9 →
9:	9.6 ←
10:	10.4x ↑
Series	102.7
	519.4



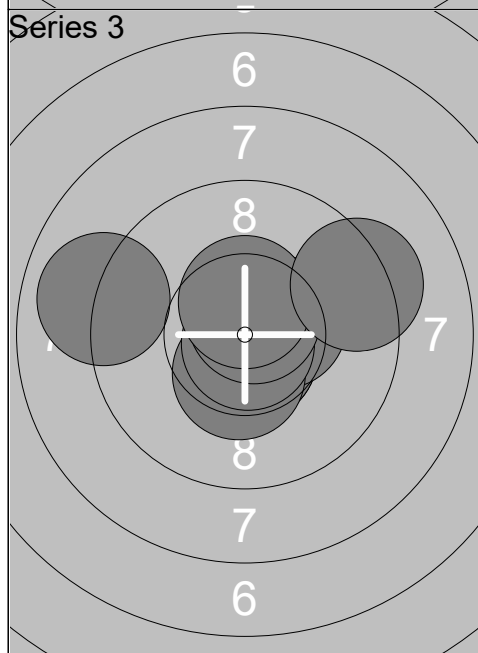
1:	10.7x ↑
2:	10.2x ↗
3:	10.6x ↖
4:	10.0 ←
5:	10.1 ↖
6:	10.5x ↑
7:	10.0 ↓
8:	10.5x ↓
9:	10.2x ↓
10:	10.1 ←
Series	102.9
	622.3



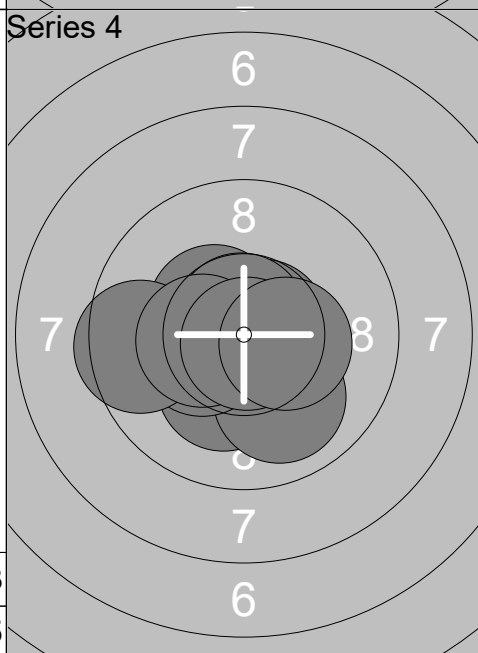
1:	10.5x ↗
2:	9.9 ←
3:	9.9 ↗
4:	10.0 →
5:	9.9 →
6:	9.1 ↗
7:	9.1 ↗
8:	10.3x ↓
9:	9.8 →
10:	10.5x ↙
Series	99.0
	201.2



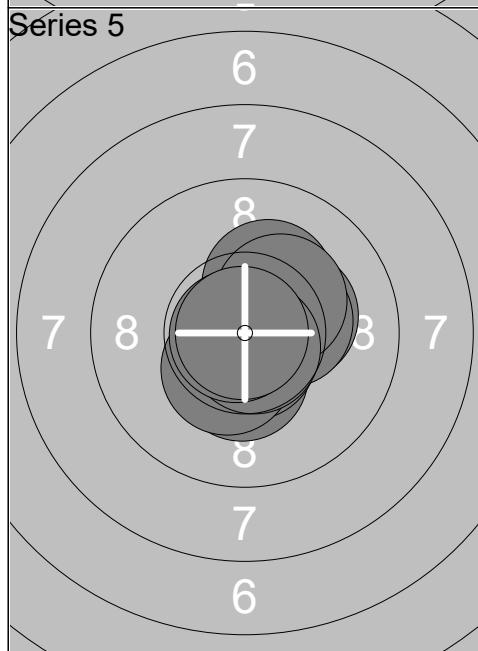
1:	10.2x ↓
2:	10.0 ↓
3:	10.3x ←
4:	10.4x ↖
5:	10.7x →
6:	9.6 ←
7:	10.7x ↑
8:	10.4x ←
9:	10.8x ↓
10:	10.4x →
Series	103.5
	408.0



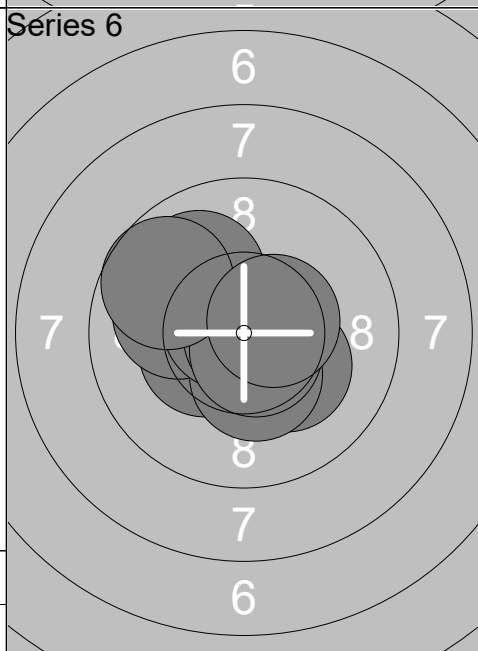
1:	10.4x ↙
2:	10.0 ←
3:	10.2x ↘
4:	10.4x ↓
5:	10.7x ↖
6:	10.9x ↘
7:	10.0 ↗
8:	10.7x ↓
9:	9.7 ←
10:	10.5x →
Series	103.5
	616.6



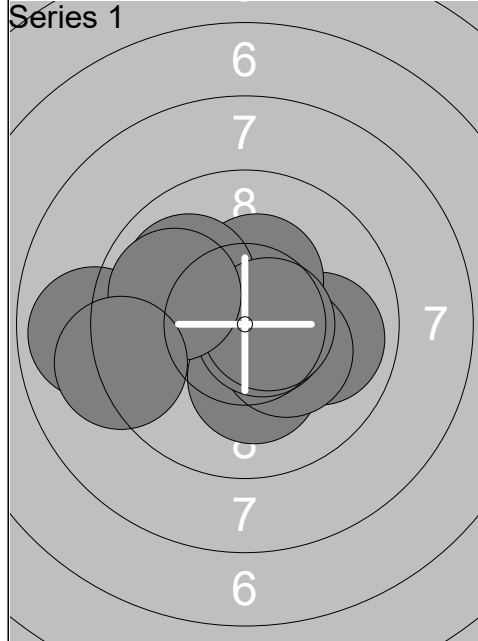
1:	10.4x ↙
2:	10.0 ←
3:	10.2x ↘
4:	10.4x ↓
5:	10.7x ↖
6:	10.9x ↘
7:	10.0 ↗
8:	10.7x ↓
9:	9.7 ←
10:	10.5x →
Series	103.5
	616.6



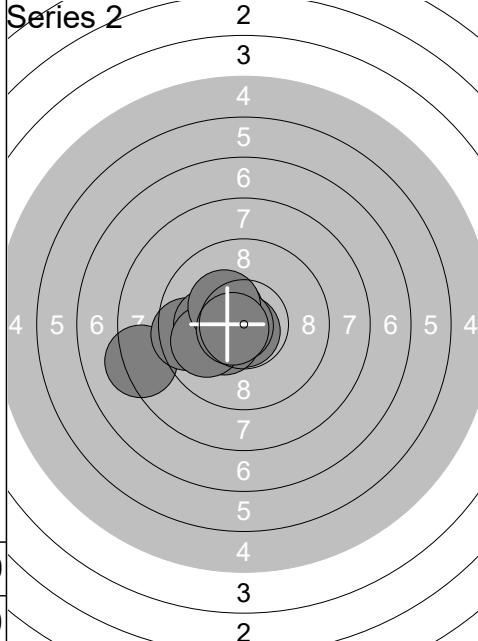
1:	10.4x ↙
2:	10.0 ←
3:	10.2x ↘
4:	10.4x ↓
5:	10.7x ↖
6:	10.9x ↘
7:	10.0 ↗
8:	10.7x ↓
9:	9.7 ←
10:	10.5x →
Series	103.5
	616.6



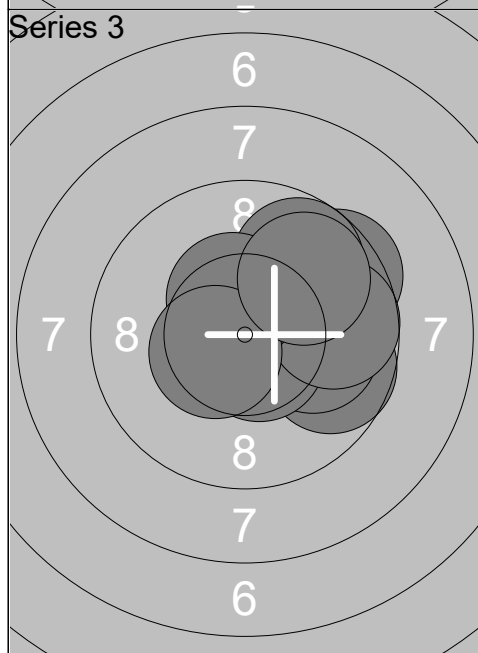
1:	10.4x ↙
2:	10.0 ←
3:	10.2x ↘
4:	10.4x ↓
5:	10.7x ↖
6:	10.9x ↘
7:	10.0 ↗
8:	10.7x ↓
9:	9.7 ←
10:	10.5x →
Series	103.5
	616.6



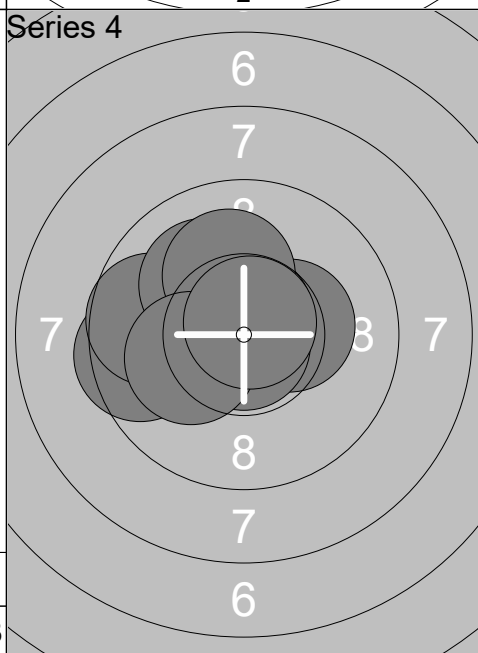
1:	10.2x ↓
2:	9.9 →
3:	8.9 ←
4:	10.3x ↑
5:	10.0 ↖
6:	10.3x ↘
7:	10.7x →
8:	10.6x →
9:	9.9 ←
10:	9.2 ←
Series	100.0
	100.0



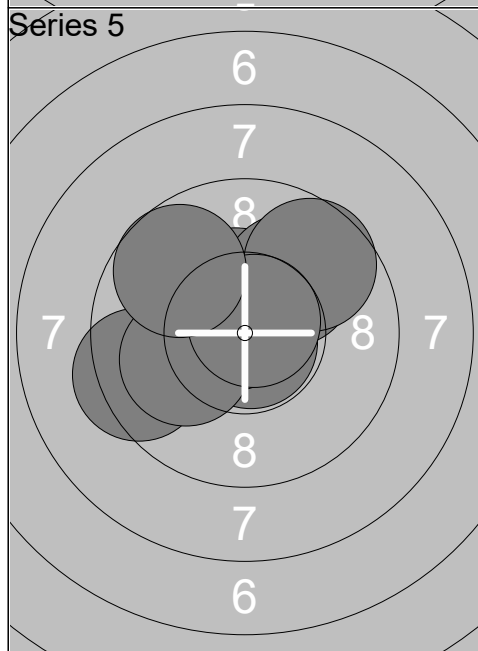
1:	8.3 ←
2:	9.5 ←
3:	10.1 ←
4:	10.8x ↓
5:	10.4x ↖
6:	10.8x ←
7:	10.4x ↙
8:	10.0 ←
9:	10.3x ↖
10:	10.6x ←
Series	101.2
	201.2



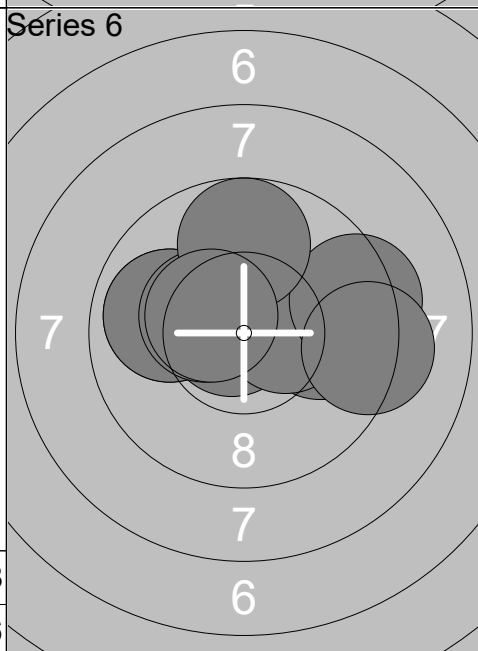
1:	9.7 →
2:	9.5 ↗
3:	10.0 →
4:	10.0 ↗
5:	10.6x ↓
6:	9.7 →
7:	9.8 ↗
8:	10.4x ↑
9:	10.5x ↙
10:	9.9 ↗
Series	100.1
	301.3



1:	10.2x ↑
2:	10.4x →
3:	9.5 ←
4:	9.7 ←
5:	10.1 ↖
6:	10.8x ↓
7:	10.7x ↑
8:	10.1 ↑
9:	10.2x ↙
10:	10.8x ↗
Series	102.5
	403.8



1:	10.2x ↖
2:	10.8x ↓
3:	10.7x ↖
4:	9.4 ←
5:	10.4x ↑
6:	10.0 ↗
7:	10.1 ←
8:	9.7 ↗
9:	10.8x ↗
10:	9.7 ↖
Series	101.8
	505.6



1:	9.9 ←
2:	9.9 →
3:	10.8x ←
4:	10.4x →
5:	9.9 ←
6:	9.4 →
7:	10.4x ↙
8:	9.8 ↑
9:	10.5x ↖
10:	9.3 →
Series	100.3
	605.9

Relay	Lane	Isabel de Vries		
6	24	NED	W	R
Qual Day 3		Denmark Open Air 2026		Denmark Open Air 2026
11.02.2026				
Series 1 	1: 10.2x →	Series 2 	1: 10.5x ↗	
	2: 9.9 →		2: 10.6x ↑	
	3: 10.7x ↓		3: 10.6x →	
	4: 10.4x ↙		4: 10.8x ↓	
	5: 10.4x ↓		5: 10.5x →	
	6: 10.3x ↖		6: 10.3x →	
	7: 10.8x ↑		7: 10.5x ↖	
	8: 10.1 ↓		8: 10.1 ←	
	9: 10.3x ↖		9: 10.5x ↘	
	10: 10.0 →		10: 10.5x ↓	
	Series 103.1	Series 104.9		
	103.1	208.0		
Series 3 	1: 9.9 ↙	Series 4 	1: 10.8x ↗	
	2: 9.6 →		2: 10.0 ←	
	3: 10.7x ↓		3: 10.2x ↖	
	4: 10.3x ↓		4: 10.3x ↖	
	5: 10.4x ↖		5: 9.6 ↙	
	6: 10.7x ↑		6: 10.1 ←	
	7: 10.4x ↗		7: 10.5x →	
	8: 10.2x ↗		8: 10.0 ←	
	9: 10.4x ↖		9: 10.5x ↑	
	10: 10.6x ↖		10: 10.2x ↓	
	Series 103.2	Series 102.2		
	311.2	413.4		
Series 5 	1: 10.4x →	Series 6 	1: 10.6x ↖	
	2: 9.8 →		2: 10.4x ↗	
	3: 10.3x →		3: 10.4x ↗	
	4: 10.5x →		4: 10.4x ↖	
	5: 10.1 ↓		5: 10.5x →	
	6: 10.0 ←		6: 10.5x ↖	
	7: 10.4x ↖		7: 10.6x ↗	
	8: 10.0 →		8: 10.1 ↑	
	9: 10.1 ↖		9: 10.7x →	
	10: 10.5x ↓		10: 10.4x ↖	
	Series 102.1	Series 104.6		
	515.5	620.1		

Relay	Lane	Martine Sve		
6	25	NOR	W	R
Qual Day 3		Denmark Open Air 2026		Denmark Open Air 2026
11.02.2026		Denmark Open Air 2026		Denmark Open Air 2026
Series 1 	1: 9.7 ↑	Series 2 	1: 10.9x	
	2: 10.3x ↑		2: 10.4x ↙	
	3: 10.4x ↗		3: 10.6x ←	
	4: 10.6x ↖		4: 10.7x ↑	
	5: 10.2x ↗		5: 10.1 ↑	
	6: 10.5x ↘		6: 10.5x ↙	
	7: 10.7x →		7: 9.4 ↗	
	8: 10.3x →		8: 10.9x →	
	9: 10.5x ↗		9: 10.7x ↙	
	10: 10.5x ↖		10: 9.6 ↗	
	Series 103.7	Series 103.8		
	103.7		207.5	
Series 3 	1: 10.5x ↖	Series 4 	1: 10.2x ←	
	2: 10.7x ↓		2: 10.7x ↖	
	3: 10.3x ←		3: 10.3x →	
	4: 10.1 ↖		4: 10.6x ↑	
	5: 10.4x ←		5: 10.4x ↗	
	6: 10.8x ↖		6: 10.5x ←	
	7: 10.3x →		7: 10.1 →	
	8: 10.4x ↗		8: 10.5x ↑	
	9: 10.4x ↖		9: 10.5x ←	
	10: 10.9x ↗		10: 10.5x ↓	
	Series 104.8	Series 104.3		
	312.3		416.6	
Series 5 	1: 9.9 ↙	Series 6 	1: 10.6x ↖	
	2: 10.4x ←		2: 10.4x ↙	
	3: 10.7x ↓		3: 10.5x ↓	
	4: 10.4x ↖		4: 10.7x →	
	5: 10.5x ↓		5: 10.4x →	
	6: 10.2x ↖		6: 9.9 ←	
	7: 10.5x ↓		7: 10.0 ↑	
	8: 9.9 ↗		8: 10.3x →	
	9: 10.8x ↓		9: 10.1 ↑	
	10: 10.1 ↘		10: 10.4x ↑	
	Series 103.4	Series 103.3		
	520.0		623.3	

Relay	Lane	Nora Olsson		
Qual Day 3		SWE	W	R
11.02.2026		Denmark Open Air 2026	Denmark Open Air 2026	
Series 1 	1: 10.8x ↖	Series 2 	1: 10.8x →	
	2: 9.9 ←		2: 10.1 ↑	
	3: 9.9 ↖		3: 10.5x ↗	
	4: 10.5x ←		4: 10.6x ←	
	5: 10.2x ←		5: 10.4x ↙	
	6: 10.1 →		6: 9.9 ←	
	7: 10.1 ↑		7: 10.4x ↑	
	8: 10.5x ↖		8: 10.7x ↖	
	9: 10.5x →		9: 10.7x ↖	
	10: 10.1 ←		10: 9.9 ←	
	Series 102.6	Series 104.0		
	102.6	206.6		
Series 3 	1: 10.6x ↗	Series 4 	1: 10.3x →	
	2: 10.4x ↖		2: 9.8 ↗	
	3: 9.9 →		3: 10.4x ↗	
	4: 9.7 →		4: 10.7x ⇒	
	5: 10.7x ↗		5: 10.4x ↖	
	6: 10.6x ←		6: 10.5x ↑	
	7: 10.3x ↖		7: 10.2x ↑	
	8: 10.3x ↑		8: 10.4x ⇒	
	9: 10.1 ↙		9: 10.4x ⇒	
	10: 10.5x ↙		10: 10.1 ↑	
	Series 103.1	Series 103.2		
	309.7	412.9		
Series 5 	1: 10.7x ↓	Series 6 	1: 10.2x ↖	
	2: 10.6x ↖		2: 10.4x ⇒	
	3: 10.1 ↖		3: 10.0 ↙	
	4: 10.3x ←		4: 10.4x →	
	5: 10.7x ↓		5: 10.2x ↙	
	6: 10.6x ↑		6: 10.2x ↗	
	7: 10.2x ↑		7: 10.2x ←	
	8: 10.4x ↙		8: 10.3x ←	
	9: 10.7x ↓		9: 10.2x ↑	
	10: 10.4x ↓		10: 10.6x ←	
	Series 104.7	Series 102.7		
	517.6	620.3		

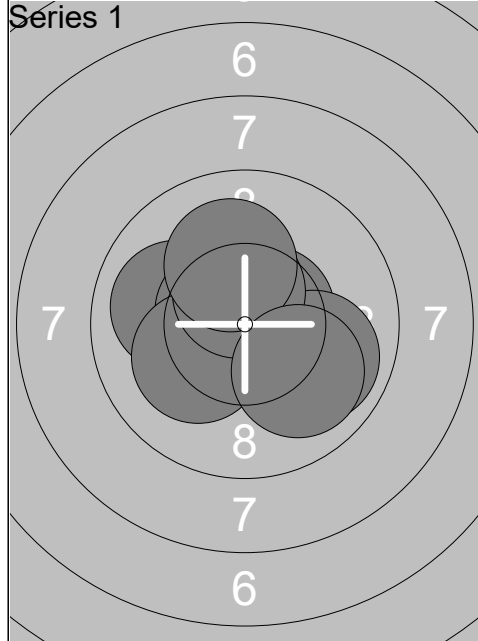
Relay	Lane	Sara Alexis			
6	27	DEN		W	R
Qual Day 3		Denmark Open Air 2026		Denmark Open Air 2026	
11.02.2026					
Series 1 	1: 10.7x ↗	Series 2 	1: 10.8x ←		
	2: 10.7x →		2: 10.4x ↗		
	3: 10.8x ↘		3: 10.4x ↗		
	4: 10.2x ↗		4: 10.2x ↗		
	5: 9.9 ←		5: 10.4x ↗		
	6: 9.6 ←		6: 10.5x ↘		
	7: 10.5x ←		7: 10.1 →		
	8: 10.6x ←		8: 10.6x ↘		
	9: 9.9 →		9: 10.8x ↘		
	10: 10.4x ↘		10: 9.8 →		
	Series 103.3		Series 104.0		
	103.3		207.3		
Series 3 	1: 10.1 →	Series 4 	1: 10.7x ↘		
	2: 10.1 ↗		2: 10.5x ↘		
	3: 10.8x ↘		3: 10.6x →		
	4: 10.3x ←		4: 10.6x ↘		
	5: 10.1 ←		5: 10.2x →		
	6: 10.7x →		6: 10.0 ↘		
	7: 10.3x →		7: 10.6x ↘		
	8: 10.6x ↘		8: 10.6x ↘		
	9: 9.9 ←		9: 10.2x ←		
	10: 10.9x ↘		10: 10.0 ←		
	Series 103.8		Series 104.0		
	311.1		415.1		
Series 5 	1: 10.3x ↘	Series 6 	1: 10.4x ↗		
	2: 10.1 ↘		2: 10.7x ↘		
	3: 9.9 ←		3: 10.8x →		
	4: 10.7x ↗		4: 10.6x ↘		
	5: 10.3x ↘		5: 10.7x ↗		
	6: 10.3x ↗		6: 9.3 ←		
	7: 10.8x →		7: 10.4x →		
	8: 10.5x ↗		8: 10.5x ↗		
	9: 10.5x ↗		9: 10.6x ↘		
	10: 10.6x ↘		10: 9.9 ←		
	Series 104.0		Series 103.9		
	519.1		623.0		

Relay	Lane	Tessa Strik		
6	28	NED	W	R
Qual Day 3		Denmark Open Air 2026		Denmark Open Air 2026
11.02.2026				
Series 1 	1: 10.5x ↓	Series 2 	1: 10.0 ↗	
	2: 10.8x ↙		2: 10.7x ↓	
	3: 10.6x →		3: 10.4x ⇒	
	4: 10.8x →		4: 10.5x ↙	
	5: 10.4x ↖		5: 10.3x ↑	
	6: 10.4x ↑		6: 10.6x ↑	
	7: 10.1 →		7: 10.6x ↖	
	8: 10.3x ↖		8: 10.4x ↗	
	9: 10.6x →		9: 10.7x ↑	
	10: 10.3x ↑		10: 10.9x ←	
	Series 104.8	Series 105.1		
	104.8		209.9	
Series 3 	1: 10.9x ↘	Series 4 	1: 10.5x ↙	
	2: 10.4x ↘		2: 9.9 ↓	
	3: 10.4x ↖		3: 10.2x ↖	
	4: 10.4x ⇒		4: 10.7x ↖	
	5: 10.6x ↘		5: 10.6x ↓	
	6: 10.5x ↑		6: 10.7x ⇒	
	7: 10.6x ↖		7: 10.7x ↖	
	8: 10.6x ↙		8: 10.3x ↖	
	9: 10.9x ↑		9: 10.5x ↘	
	10: 10.4x ↘		10: 10.1 →	
	Series 105.7	Series 104.2		
	315.6		419.8	
Series 5 	1: 9.9 ←	Series 6 	1: 10.4x ↙	
	2: 10.2x ↗		2: 10.8x ↙	
	3: 10.7x ⇒		3: 10.9x ↖	
	4: 10.3x →		4: 9.8 ⇒	
	5: 10.5x ↘		5: 10.8x →	
	6: 10.7x ↘		6: 10.9x ↖	
	7: 10.0 →		7: 10.4x →	
	8: 10.5x ↓		8: 10.8x ↖	
	9: 9.8 ↗		9: 10.8x ↖	
	10: 10.5x ↖		10: 10.6x ↗	
	Series 103.1	Series 106.2		
	522.9		629.1	

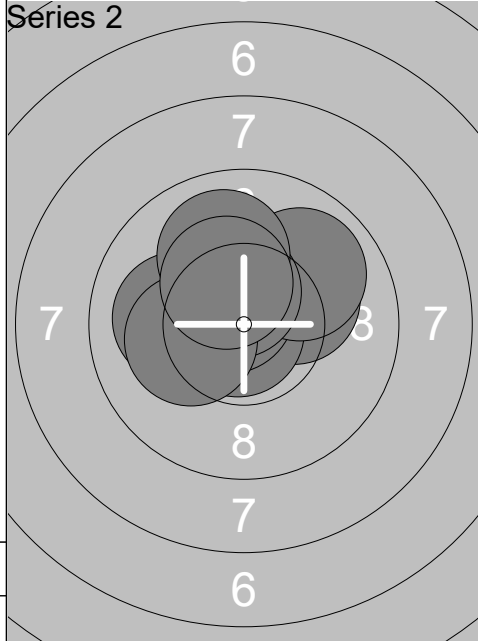
Relay	Lane	Amanda Karlsson		
6	29	SWE	W	R
Qual Day 3		Denmark Open Air 2026		Denmark Open Air 2026
11.02.2026				
Series 1 	1: 10.6x ↗	Series 2 	1: 10.3x ↘	
	2: 10.4x ↗		2: 10.0 ↗	
	3: 10.4x ↑		3: 10.5x ↗	
	4: 10.7x ↙		4: 10.2x ↖	
	5: 10.7x ↙		5: 10.6x ↓	
	6: 10.8x ↗		6: 10.6x ↙	
	7: 10.2x →		7: 10.4x ←	
	8: 10.5x ↖		8: 10.5x ↓	
	9: 10.6x ↙		9: 10.1 ←	
	10: 10.6x ↗		10: 10.6x →	
	Series 105.5		Series 103.8	
	105.5		209.3	
Series 3 	1: 10.4x ↗	Series 4 	1: 10.8x ↓	
	2: 10.5x ↑		2: 10.4x ↗	
	3: 10.9x ↑		3: 10.7x ↓	
	4: 10.6x ↘		4: 10.7x ↓	
	5: 10.1 ↑		5: 10.3x ↓	
	6: 10.6x →		6: 10.3x →	
	7: 10.9x ↙		7: 10.1 ←	
	8: 10.5x ↓		8: 10.5x ↖	
	9: 10.6x ↓		9: 10.5x →	
	10: 10.7x ↓		10: 10.5x ↑	
	Series 105.8		Series 104.8	
	315.1		419.9	
Series 5 	1: 10.3x ↖	Series 6 	1: 10.6x ↓	
	2: 10.4x ↖		2: 10.7x ↖	
	3: 10.6x ↑		3: 10.7x ↘	
	4: 10.6x ↑		4: 10.7x →	
	5: 10.2x ↑		5: 10.5x ↑	
	6: 10.7x ↙		6: 10.3x ↗	
	7: 10.5x ↖		7: 10.8x ↙	
	8: 10.5x ↗		8: 10.6x ↓	
	9: 10.6x →		9: 10.6x →	
	10: 10.6x ↖		10: 10.7x ↘	
	Series 105.0		Series 106.2	
	524.9		631.1	

Relay	Lane	Caroline Finnestad Lund		
6	30	NOR	W	R
Qual Day 3		Denmark Open Air 2026		Denmark Open Air 2026
11.02.2026				
Series 1 	1: 10.6x ↘	Series 2 	1: 10.7x ↑	
	2: 10.8x ↑		2: 10.5x ←	
	3: 10.6x ↘		3: 10.7x →	
	4: 10.7x ↙		4: 10.3x ↖	
	5: 10.8x ↗		5: 10.2x ↗	
	6: 10.7x ↖		6: 10.4x ←	
	7: 10.6x ↗		7: 10.6x ↙	
	8: 10.4x ↖		8: 10.7x ↙	
	9: 10.5x →		9: 10.4x ↑	
	10: 10.2x ↘		10: 10.8x →	
	Series 105.9	Series 105.3		
	105.9		211.2	
Series 3 	1: 10.5x ↙	Series 4 	1: 10.8x ↖	
	2: 10.4x ←		2: 10.3x →	
	3: 10.1 ↗		3: 10.8x →	
	4: 10.0 →		4: 10.2x ↘	
	5: 10.3x ↖		5: 10.1 ↙	
	6: 10.0 ↗		6: 10.6x ↘	
	7: 10.6x →		7: 10.3x ↖	
	8: 10.6x ↑		8: 10.7x ↘	
	9: 9.8 ↗		9: 10.8x ↖	
	10: 10.7x ↑		10: 9.9 ↘	
	Series 103.0	Series 104.5		
	314.2		418.7	
Series 5 	1: 10.4x ↑	Series 6 	1: 10.6x ↗	
	2: 10.7x →		2: 10.4x ←	
	3: 10.6x ↗		3: 10.3x ↘	
	4: 10.8x →		4: 10.5x ←	
	5: 10.5x ↖		5: 10.3x →	
	6: 10.0 ↘		6: 10.4x →	
	7: 10.7x ↘		7: 10.4x →	
	8: 10.5x ←		8: 10.6x ↖	
	9: 10.1 ↙		9: 10.2x ↖	
	10: 10.4x ↘		10: 10.6x ↘	
	Series 104.7	Series 104.3		
	523.4		627.7	

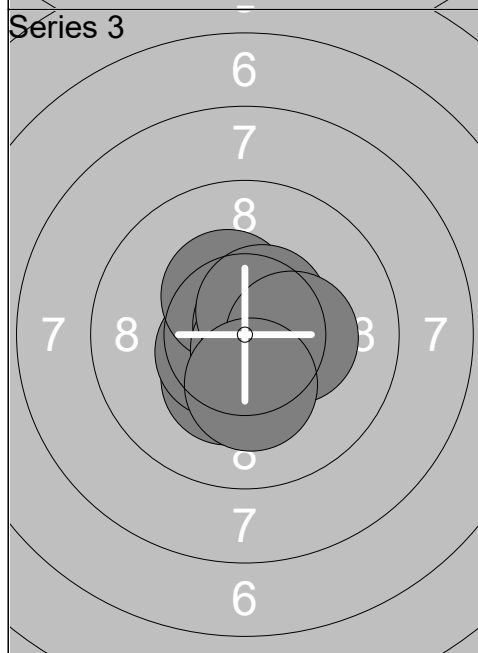
Relay	Lane	Helle Bertelsen		
6	31	DEN	W	R
Qual Day 3		Denmark Open Air 2026		Denmark Open Air 2026
11.02.2026				
Series 1 	1: 10.3x →	Series 2 	1: 10.6x ↙	
	2: 10.8x ↗		2: 10.0 ←	
	3: 10.5x ↘		3: 9.7 →	
	4: 9.8 ←		4: 10.6x ↘	
	5: 10.2x ↗		5: 10.1 →	
	6: 10.2x ←		6: 10.4x ↘	
	7: 10.2x ↖		7: 10.8x →	
	8: 10.2x ↘		8: 10.4x →	
	9: 10.3x ↖		9: 10.3x ↘	
	10: 10.2x ↖		10: 10.0 ↘	
	Series 102.7		Series 102.9	
	102.7		205.6	
Series 3 	1: 10.0 ↗	Series 4 	1: 9.7 ←	
	2: 10.7x ↗		2: 10.2x ↖	
	3: 10.3x →		3: 10.9x ↘	
	4: 10.5x ↗		4: 10.5x ↗	
	5: 9.7 →		5: 10.3x ↘	
	6: 10.3x ↖		6: 10.2x ↗	
	7: 10.5x ↖		7: 10.3x →	
	8: 10.0 ←		8: 10.1 ↘	
	9: 10.4x ↗		9: 10.6x ↗	
	10: 10.3x ↘		10: 10.4x ↖	
	Series 102.7		Series 103.2	
	308.3		411.5	
Series 5 	1: 10.6x ↗	Series 6 	1: 10.7x ↘	
	2: 10.2x ↖		2: 10.1 →	
	3: 10.4x ↘		3: 10.1 ↘	
	4: 10.8x ↘		4: 10.3x →	
	5: 10.4x ↗		5: 10.2x ↘	
	6: 10.7x ↗		6: 10.4x →	
	7: 10.4x ↘		7: 10.5x ↘	
	8: 10.7x ↘		8: 10.4x →	
	9: 10.7x ↘		9: 10.4x ↘	
	10: 9.4 →		10: 10.3x ↖	
	Series 104.3		Series 103.4	
	515.8		619.2	



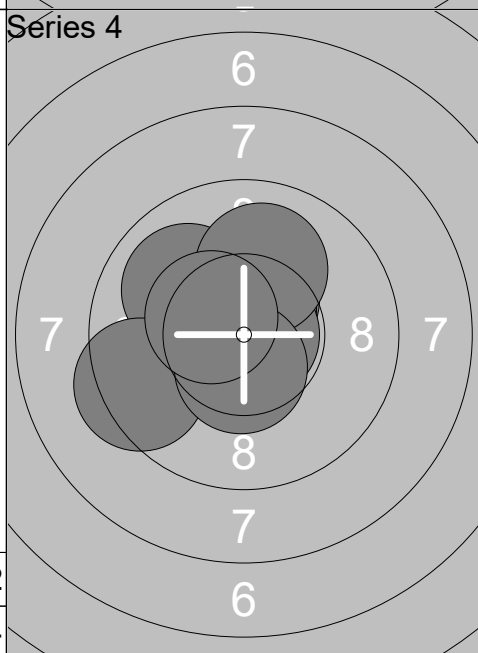
1:	10.4x ↗
2:	10.8x ↘
3:	10.6x ↗
4:	9.9 ↘
5:	10.0 ←
6:	10.6x ↖
7:	10.2x ↙
8:	10.5x ↑
9:	10.1 ↑
10:	10.0 ↘
Series	103.1
	103.1



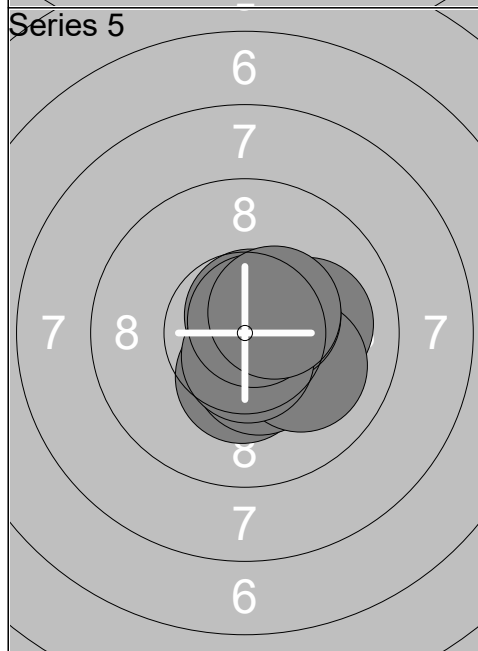
1:	10.2x ↗
2:	10.4x ↖
3:	10.8x ↙
4:	10.6x ↖
5:	10.1 ←
6:	10.0 ↗
7:	10.5x ↑
8:	10.2x ↙
9:	10.0 ↑
10:	10.3x ↖
Series	103.1
	206.2



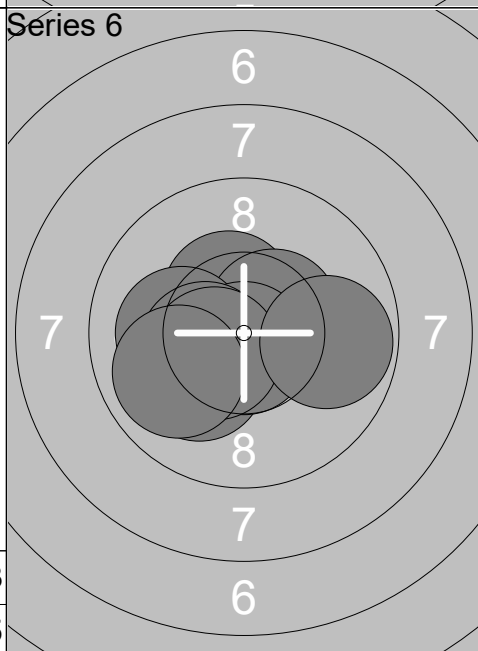
1:	10.3x ↘
2:	10.6x ↙
3:	10.8x ↘
4:	10.4x ↖
5:	10.5x ↘
6:	10.7x ↗
7:	10.7x ↘
8:	10.6x ↗
9:	10.3x →
10:	10.3x ↘
Series	105.2
	311.4



1:	10.3x ↖
2:	10.4x ↑
3:	10.2x ↖
4:	10.6x ↑
5:	10.8x →
6:	10.0 ↖
7:	9.4 ←
8:	10.1 ↑
9:	10.5x ↘
10:	10.5x ↖
Series	102.8
	414.2

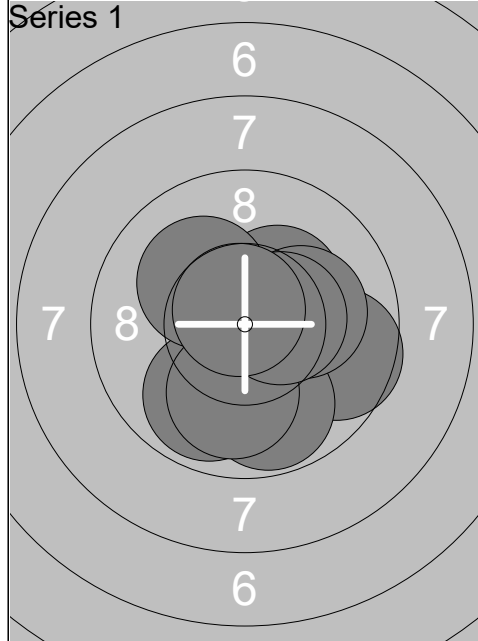


1:	10.7x ↑
2:	10.4x ↘
3:	10.4x ↘
4:	10.4x →
5:	10.1 →
6:	10.1 ↘
7:	10.5x ↗
8:	10.6x ↘
9:	10.7x ↗
10:	10.4x ↗
Series	104.3
	518.5

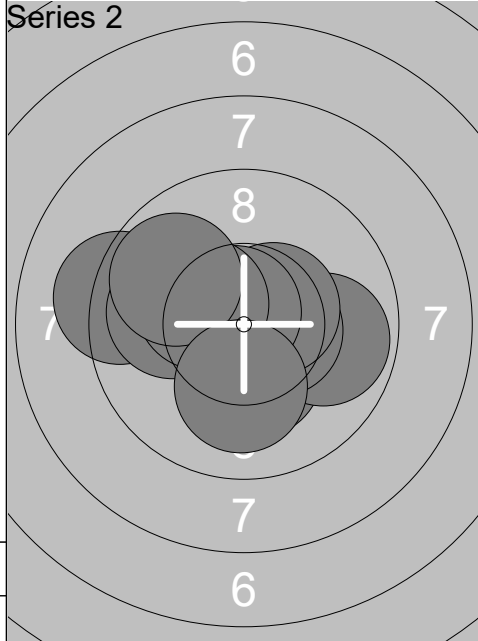


1:	10.7x ↑
2:	10.1 ↙
3:	10.4x ↖
4:	10.5x ↗
5:	10.1 ←
6:	10.8x ↘
7:	10.4x ↙
8:	10.5x ↙
9:	9.9 ←
10:	9.8 →
Series	103.2
	621.7

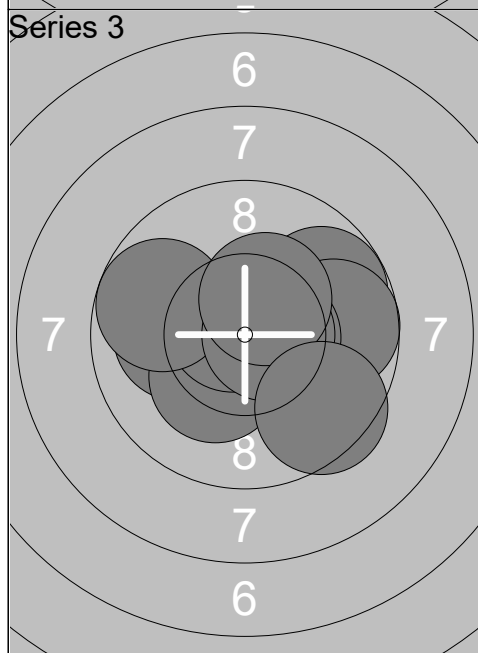
Relay	Lane	Nina Kours		
6	33	GER	W	R
Qual Day 3		Denmark Open Air 2026		Denmark Open Air 2026
11.02.2026				
Series 1 	1: 10.7x ←	Series 2 	1: 10.7x ↗	
	2: 10.1 ↖		2: 10.1 ↖	
	3: 10.0 ↗		3: 10.8x ↓	
	4: 10.2x ↘		4: 10.5x ↖	
	5: 10.7x ←		5: 10.2x ←	
	6: 10.9x ↗		6: 9.2 ←	
	7: 10.1 ↗		7: 9.8 ↗	
	8: 10.2x ↗		8: 10.8x ↗	
	9: 10.3x ⇒		9: 10.5x ↖	
	10: 10.1 ↗		10: 10.3x ↗	
	Series 103.3		Series 102.9	
	103.3		206.2	
Series 3 	1: 8.9 ↖	Series 4 	1: 10.2x ↗	
	2: 10.3x ↖		2: 10.1 ⇒	
	3: 9.8 ↗		3: 10.2x ←	
	4: 10.5x ←		4: 10.8x ↗	
	5: 10.4x ↗		5: 10.3x ⇒	
	6: 10.4x ⇒		6: 10.7x ↘	
	7: 10.1 ↗		7: 9.8 ↗	
	8: 10.4x ⇒		8: 9.8 ⇒	
	9: 10.5x ↓		9: 10.7x ↓	
	10: 10.4x ←		10: 10.3x ↗	
	Series 101.7		Series 102.9	
	307.9		410.8	
Series 5 	1: 10.5x ↗	Series 6 	1: 10.3x ⇒	
	2: 10.7x ⇒		2: 10.4x ↘	
	3: 10.6x ↗		3: 9.9 ↓	
	4: 10.2x ↗		4: 10.6x ↗	
	5: 10.5x ↖		5: 10.9x ↘	
	6: 10.2x ↗		6: 10.4x ↘	
	7: 10.7x ↖		7: 10.3x ⇒	
	8: 10.0 ↓		8: 10.2x ↓	
	9: 10.6x ↓		9: 10.3x ↘	
	10: 9.7 ⇒		10: 10.3x ↖	
	Series 103.7		Series 103.6	
	514.5		618.1	



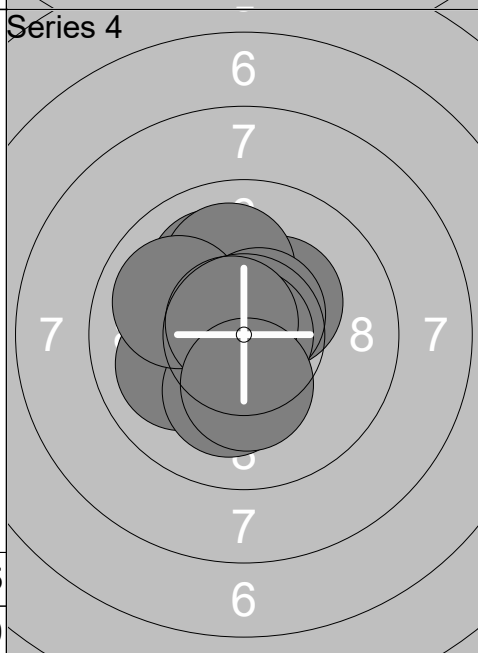
1:	10.8x ↙
2:	9.9 ↓
3:	9.6 ➔
4:	10.4x ↗
5:	9.8 ↓
6:	10.2x ➔
7:	10.0 ↓
8:	10.4x ➔
9:	10.2x ↖
10:	10.8x ↗
Series	102.1
	102.1



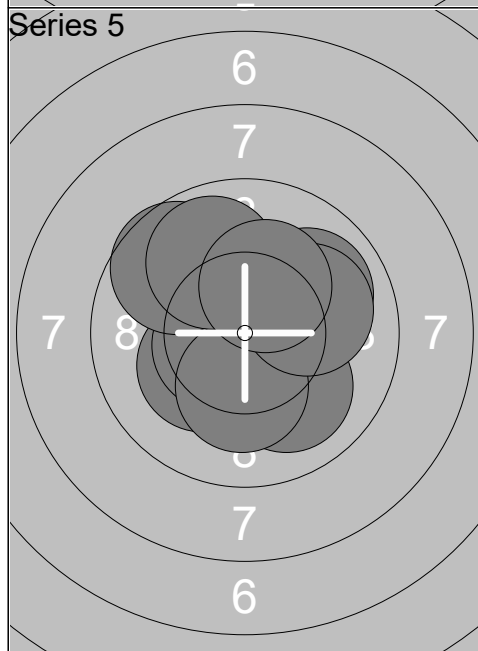
1:	9.2 ←
2:	10.3x ↓
3:	9.9 ➔
4:	10.5x ➔
5:	10.5x ↗
6:	10.0 ←
7:	10.7x ↖
8:	10.3x ↖
9:	9.9 ↖
10:	10.1 ↓
Series	101.4
	203.5



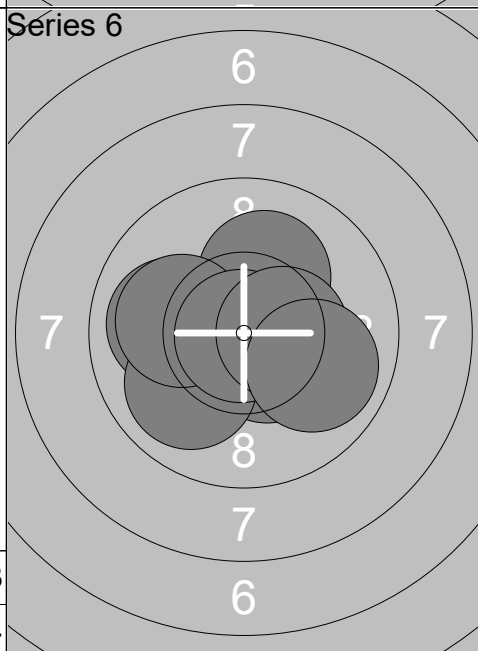
1:	10.1 ←
2:	9.8 ➔
3:	9.7 ➔
4:	10.5x ➔
5:	10.3x ↙
6:	10.8x ↖
7:	9.8 ←
8:	10.6x ➔
9:	10.4x ↗
10:	9.5 ↓
Series	101.5
	305.0



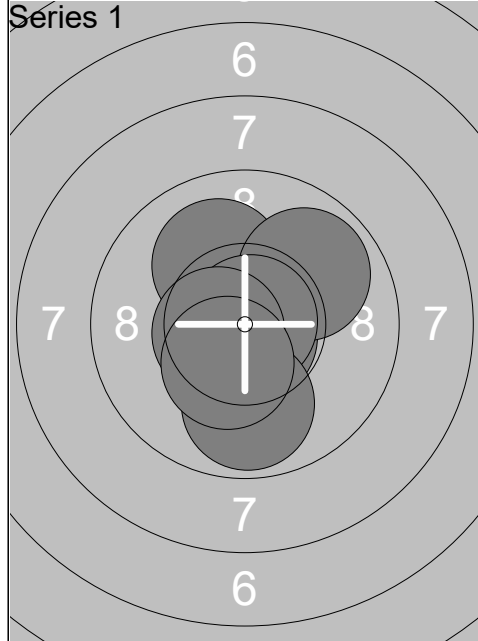
1:	10.3x ↗
2:	10.1 ↖
3:	10.0 ↑
4:	10.6x ↗
5:	10.0 ←
6:	10.2x ↓
7:	10.0 ↖
8:	10.9x ➔
9:	10.7x ↖
10:	10.3x ↓
Series	103.1
	408.1



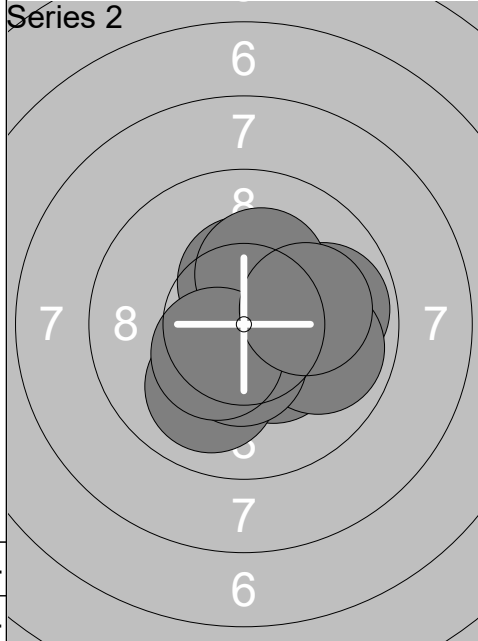
1:	10.2x ↙
2:	10.4x ↘
3:	10.1 ↓
4:	10.5x ↖
5:	10.0 ➔
6:	10.2x ↓
7:	10.1 ➔
8:	9.7 ↖
9:	9.9 ↗
10:	10.2x ↗
Series	101.3
	509.4



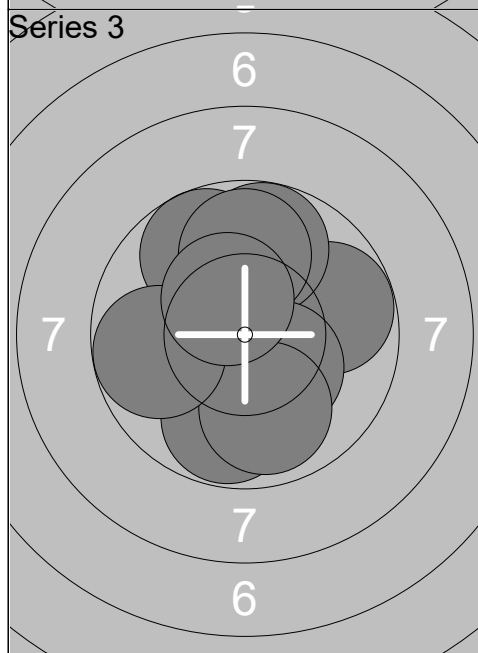
1:	10.7x ↙
2:	10.5x ↘
3:	10.0 ←
4:	10.0 ↙
5:	10.4x ➔
6:	10.2x ↗
7:	10.1 ←
8:	10.9x ↙
9:	10.4x ➔
10:	9.9 ➔
Series	103.1
	612.5



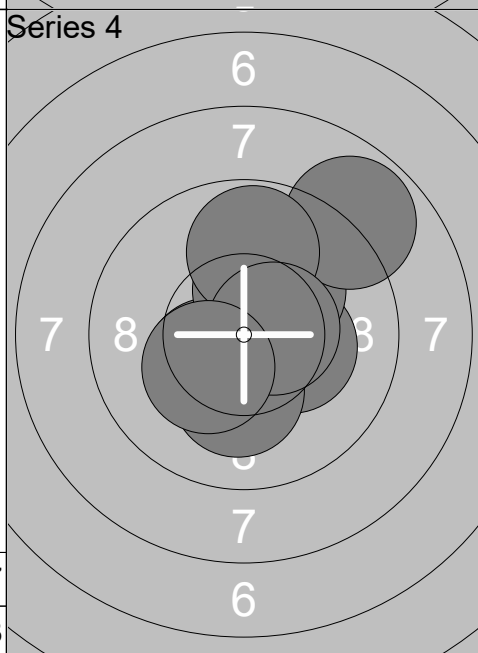
1:	10.5x ↑
2:	10.8x ←
3:	10.8x ↓
4:	10.5x ↓
5:	10.1 ↑
6:	9.9 ↗
7:	10.9x →
8:	9.9 ↓
9:	10.6x ←
10:	10.4x ↓
Series	104.4
	104.4



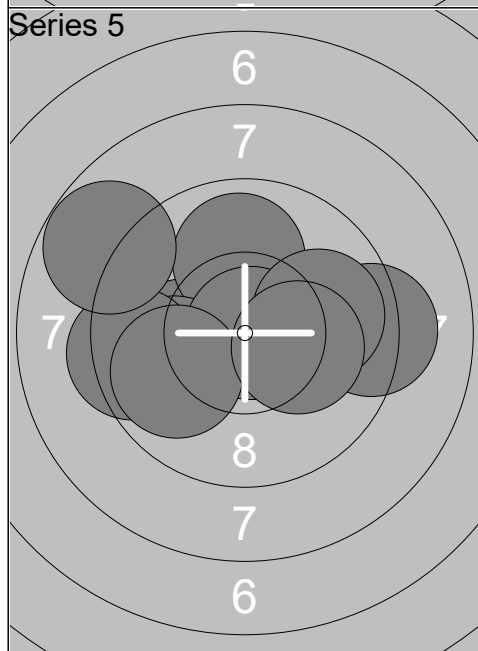
1:	9.8 →
2:	10.4x ↓
3:	10.5x ↗
4:	10.4x ↑
5:	10.0 ↓
6:	9.9 →
7:	10.5x ↓
8:	10.2x ↑
9:	10.4x ↙
10:	10.1 →
Series	102.2
	206.6



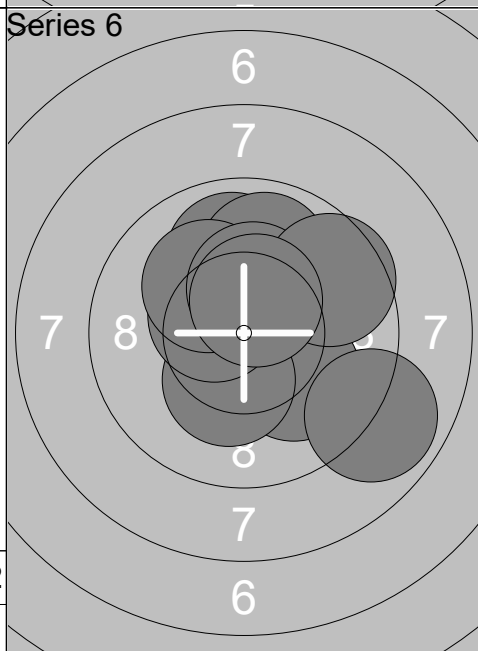
1:	10.2x ↗
2:	9.8 →
3:	9.8 ↑
4:	9.8 ↓
5:	10.3x ↓
6:	9.9 ↓
7:	9.8 ↗
8:	9.8 ←
9:	9.9 ↑
10:	10.4x ↘
Series	99.7
	306.3



1:	10.8x ↓
2:	10.3x →
3:	10.3x ↙
4:	10.3x ↑
5:	10.2x ↓
6:	10.2x ↗
7:	8.9 ↗
8:	9.8 ↑
9:	10.5x →
10:	10.3x ↙
Series	101.6
	407.9



1:	10.1 ←
2:	9.2 →
3:	9.9 ↑
4:	9.9 ←
5:	9.4 ←
6:	10.9x →
7:	9.9 ←
8:	9.9 →
9:	10.2x →
10:	8.8 ↙
Series	98.2
	506.1



1:	10.1 ↓
2:	10.3x ↓
3:	9.9 ↑
4:	10.5x ↙
5:	9.9 ↑
6:	10.2x ↘
7:	10.3x ↑
8:	9.6 ↗
9:	8.9 ↓
10:	10.5x ↑
Series	100.2
	606.3