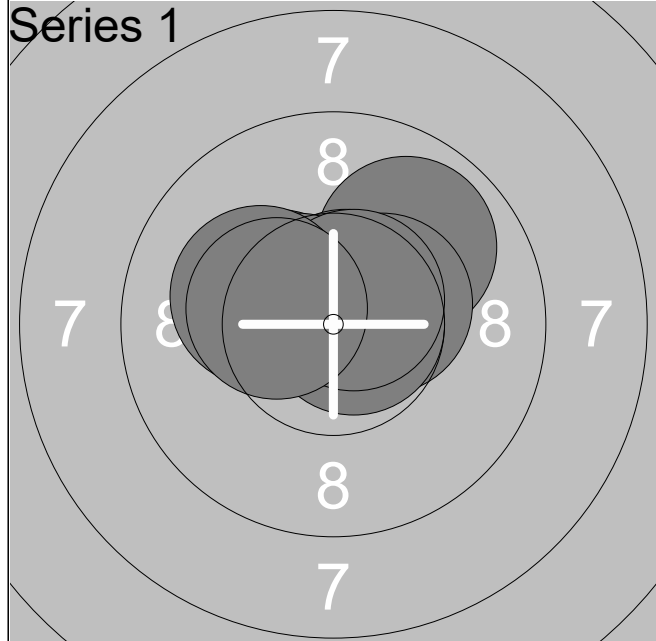


Relay 1	Lane 4	Amanda Karlsson
-------------------	------------------	------------------------

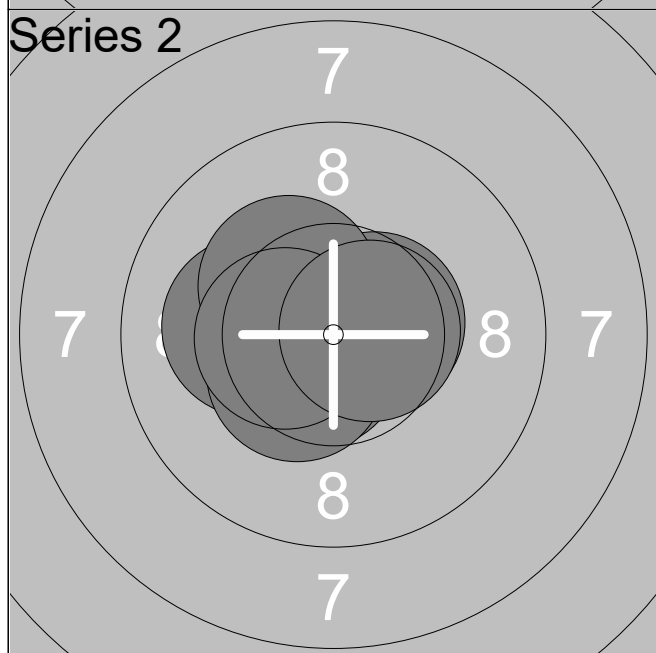
Mix Team Rifle Qual	SWE 1	W	R
---------------------	-------	---	---

11.02.2026	Denmark Open Air 2026	Denmark Open Air 2026
------------	-----------------------	-----------------------



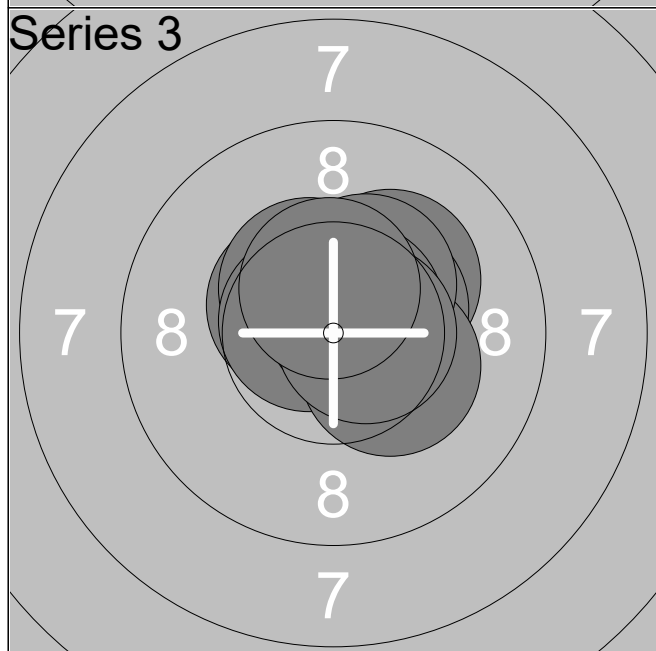
1:	10.4x	↖
2:	9.9	↗
3:	10.8x	↗
4:	10.7x	↗
5:	10.4x	↗
6:	10.6x	↖
7:	10.7x	→
8:	10.6x	↗
9:	10.2x	↖
10:	10.4x	↖

Series	104.7
	104.7



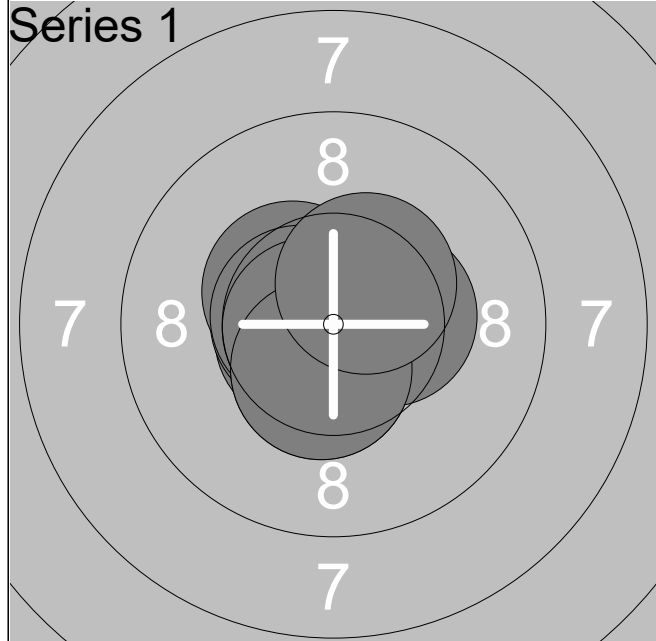
1:	10.4x	←
2:	10.5x	→
3:	10.6x	↙
4:	10.7x	→
5:	10.7x	↙
6:	10.1	←
7:	10.4x	↙
8:	10.3x	↗
9:	10.5x	←
10:	10.6x	→

Series	104.8
	209.5



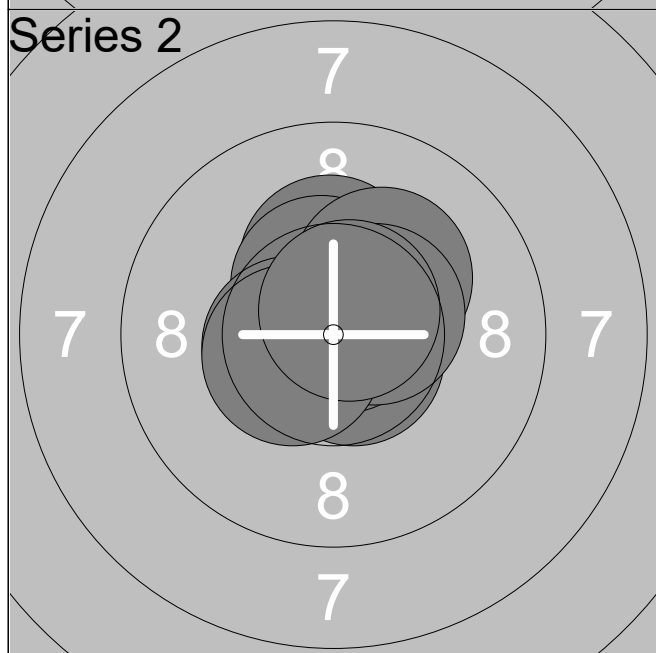
1:	10.5x	↗
2:	10.5x	↗
3:	10.7x	↖
4:	10.2x	↗
5:	10.5x	↗
6:	10.3x	↘
7:	10.4x	↗
8:	10.7x	↗
9:	10.6x	→
10:	10.5x	↑

Series	104.9
	314.4



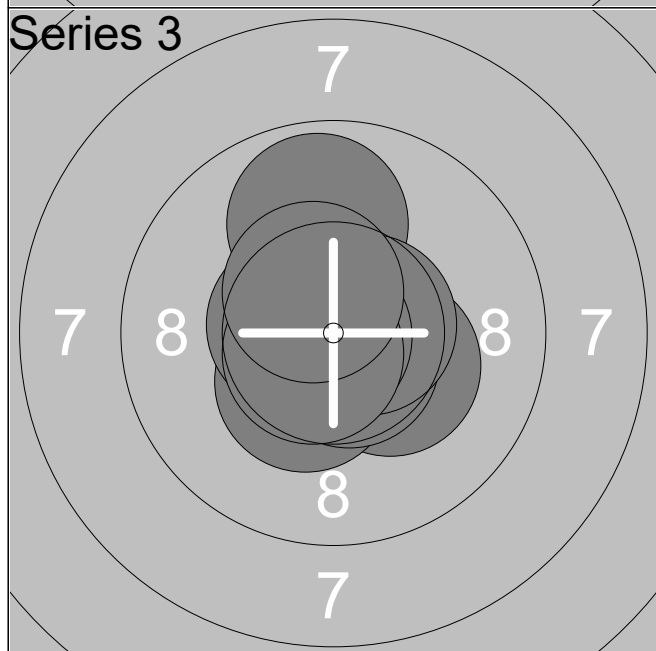
1:	10.6x	↙
2:	10.6x	↙
3:	10.5x	↓
4:	10.4x	↗
5:	10.6x	↙
6:	10.7x	↙
7:	10.4x	→
8:	10.7x	↙
9:	10.5x	↓
10:	10.4x	↗

Series	105.4
	105.4



1:	10.7x	↙
2:	10.7x	↘
3:	10.3x	↑
4:	10.5x	↑
5:	10.5x	↙
6:	10.8x	↗
7:	10.2x	↗
8:	10.5x	↗
9:	10.5x	↙
10:	10.7x	↗

Series	105.4
	210.8



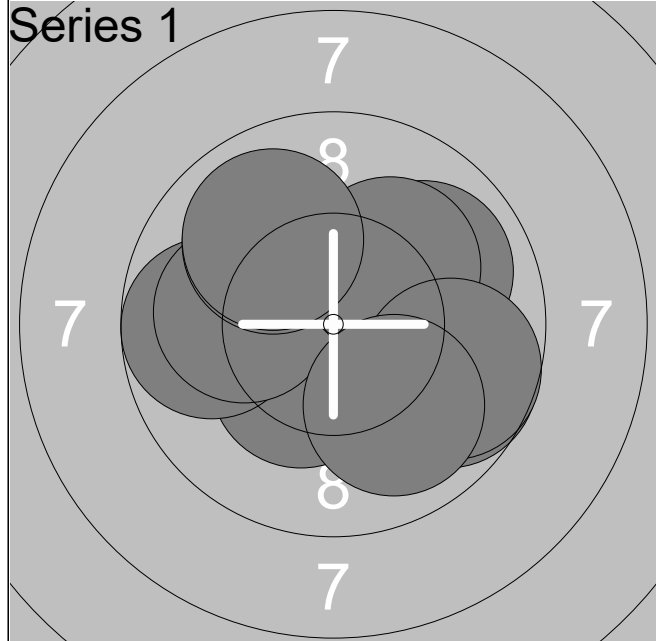
1:	10.3x	↘
2:	10.9x	↘
3:	10.4x	↘
4:	10.6x	↘
5:	9.9	↑
6:	10.6x	→
7:	10.6x	↙
8:	10.8x	↙
9:	10.7x	↙
10:	10.5x	↗

Series	105.3
	316.1

Relay 1	Lane 6	Annabelle Borved
-------------------	------------------	-------------------------

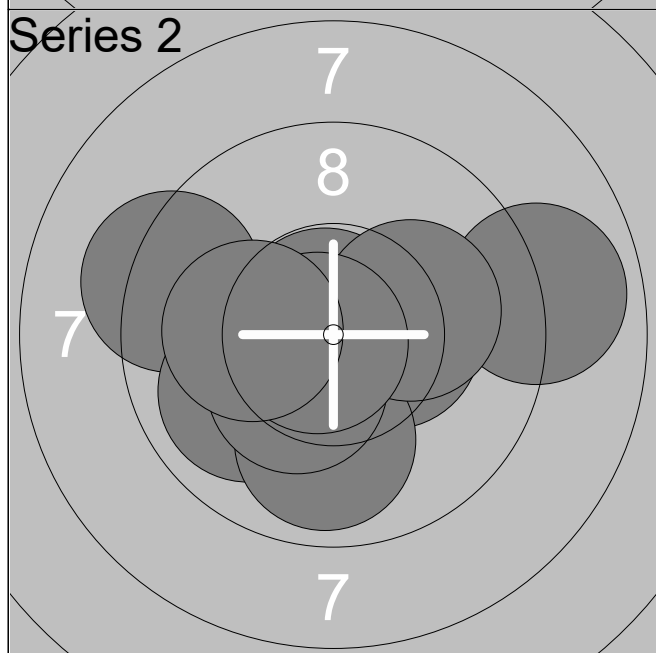
Mix Team Rifle Qual	DEN 1	WJ	R
---------------------	-------	----	---

11.02.2026	Denmark Open Air 2026	Denmark Open Air 2026
------------	-----------------------	-----------------------



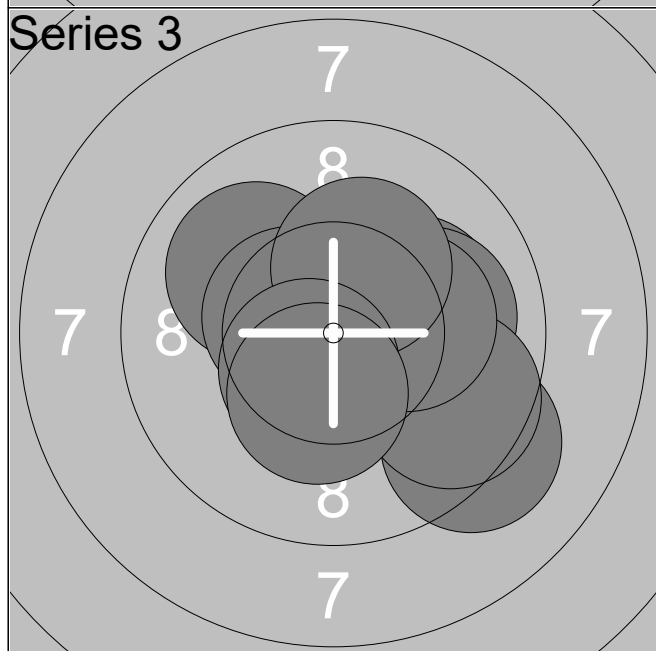
1:	10.3x	↘
2:	9.7	←
3:	10.1	←
4:	9.7	→
5:	9.9	↗
6:	10.0	↗
7:	10.2x	↗
8:	9.7	→
9:	10.0	↘
10:	9.9	↗

Series	99.5
	99.5



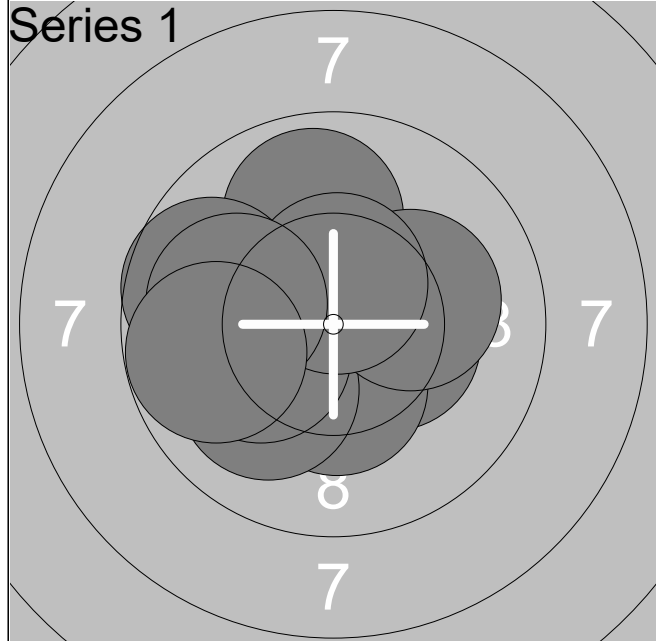
1:	9.3	←
2:	9.9	↙
3:	10.4x	→
4:	8.9	→
5:	9.9	↓
6:	10.8x	↗
7:	10.3x	↘
8:	10.1	→
9:	10.8x	←
10:	10.1	←

Series	100.5
	200.0



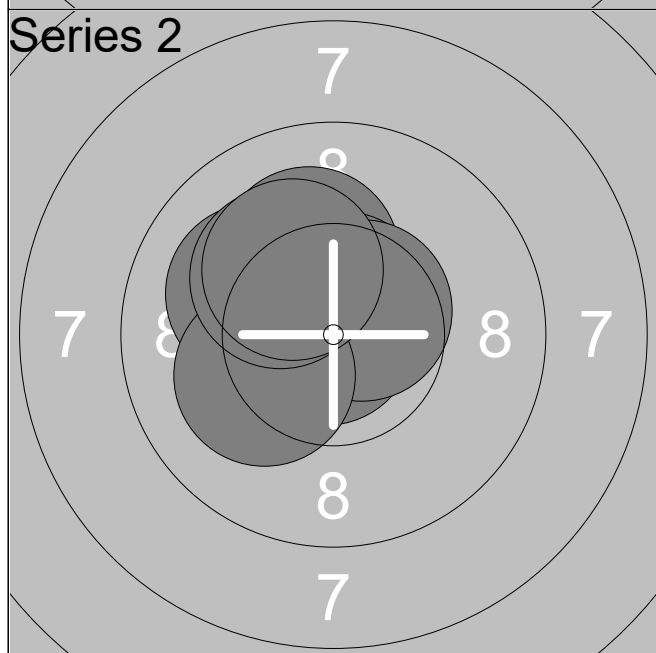
1:	10.0	↗
2:	10.1	→
3:	10.5x	←
4:	9.2	↘
5:	10.0	→
6:	9.7	↘
7:	10.2x	→
8:	10.3x	↗
9:	10.5x	↘
10:	10.3x	↓

Series	100.8
	300.8



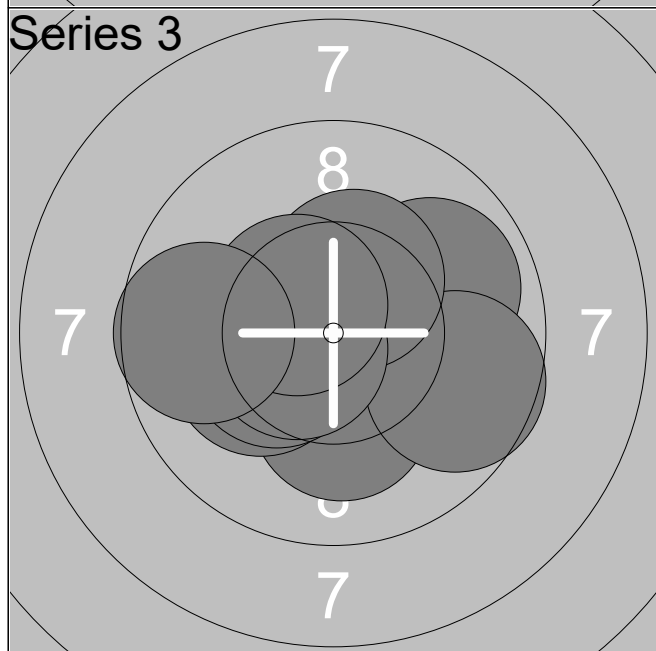
1:	10.4x	→
2:	9.9	↑
3:	10.4x	↓
4:	10.1	↙
5:	10.2x	→
6:	10.2x	←
7:	9.7	←
8:	10.6x	↑
9:	10.0	←
10:	9.8	←

Series	101.3
	101.3



1:	10.8x	←
2:	10.2x	↑
3:	10.6x	↑
4:	10.4x	←
5:	10.9x	←
6:	10.1	↙
7:	10.6x	↗
8:	10.2x	←
9:	10.2x	↗
10:	10.2x	↗

Series	104.2
	205.5



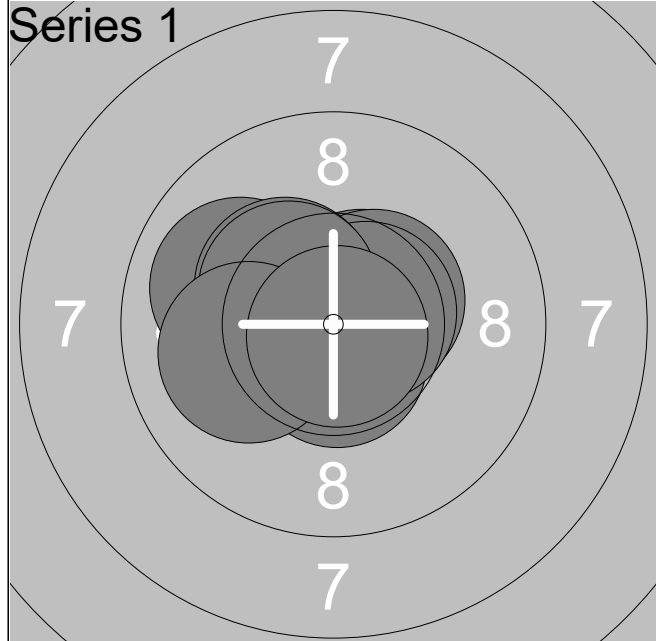
1:	10.5x	↘
2:	10.2x	↓
3:	10.2x	←
4:	9.9	→
5:	9.7	↘
6:	10.4x	↑
7:	10.4x	←
8:	10.6x	←
9:	10.5x	↗
10:	9.7	←

Series	102.1
	307.6

Relay 1	Lane 8	Viivi Kemppe
-------------------	------------------	---------------------

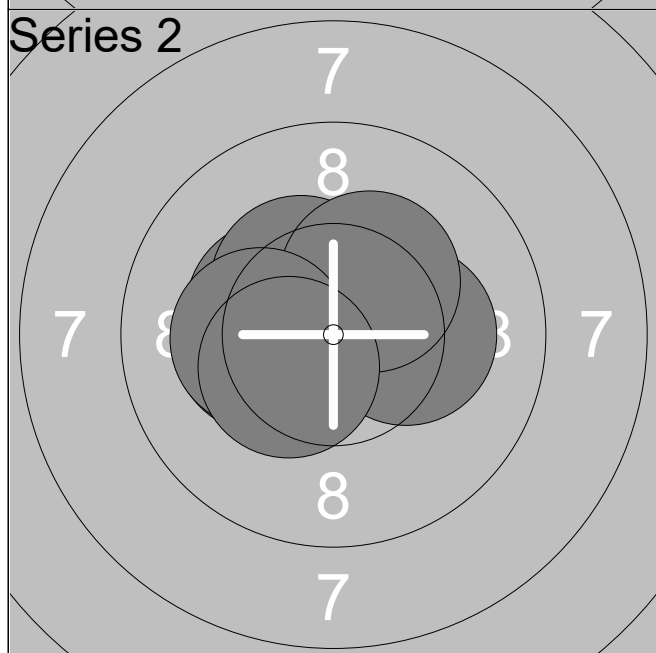
Mix Team Rifle Qual	FIN 2	W	R
---------------------	-------	---	---

11.02.2026	Denmark Open Air 2026	Denmark Open Air 2026
------------	-----------------------	-----------------------



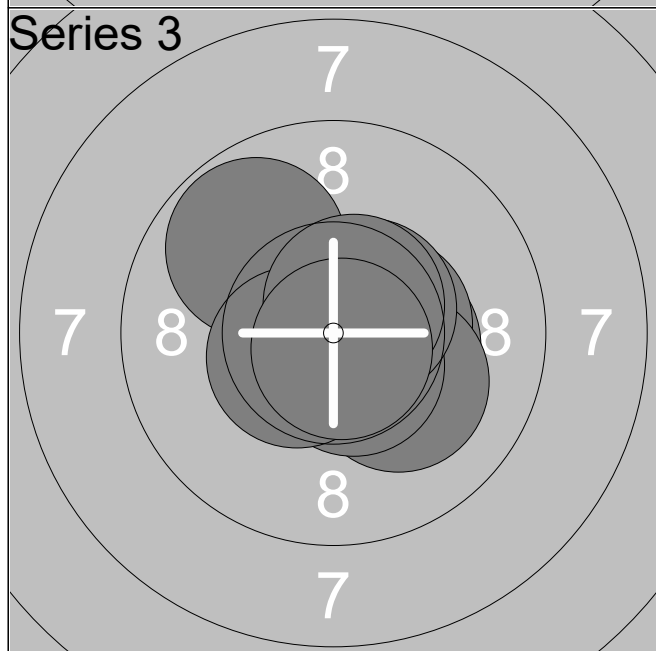
1:	10.6x	↗
2:	10.5x	↗
3:	10.6x	↓
4:	10.5x	←
5:	10.0	↖
6:	10.6x	↗
7:	10.4x	↗
8:	10.4x	↗
9:	10.1	←
10:	10.8x	↓

Series	104.5
	104.5



1:	10.3x	←
2:	10.3x	↖
3:	10.6x	←
4:	10.7x	↑
5:	10.4x	↗
6:	10.4x	↗
7:	10.2x	→
8:	10.3x	↗
9:	10.2x	←
10:	10.4x	↙

Series	103.8
	208.3



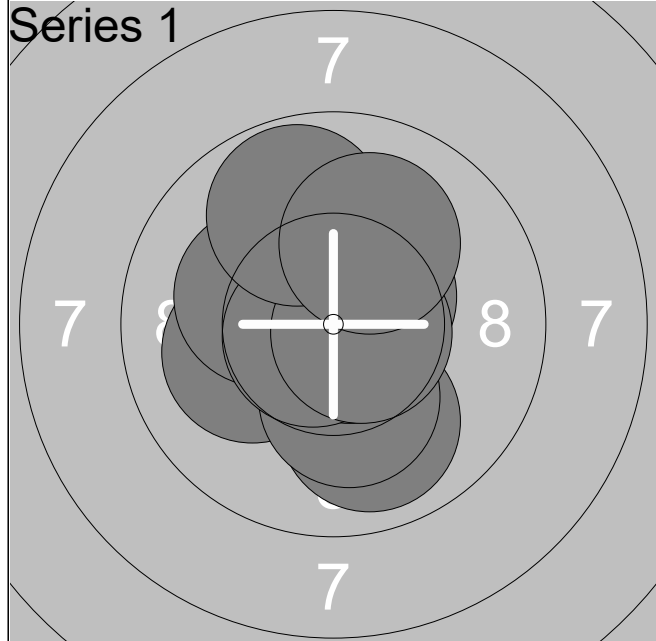
1:	10.8x	↙
2:	10.4x	→
3:	10.5x	→
4:	10.2x	↘
5:	9.8	↗
6:	10.6x	↘
7:	10.5x	←
8:	10.5x	↗
9:	10.6x	↗
10:	10.8x	↓

Series	104.7
	313.0

Relay 1	Lane 9	Cristian Friman
-------------------	------------------	------------------------

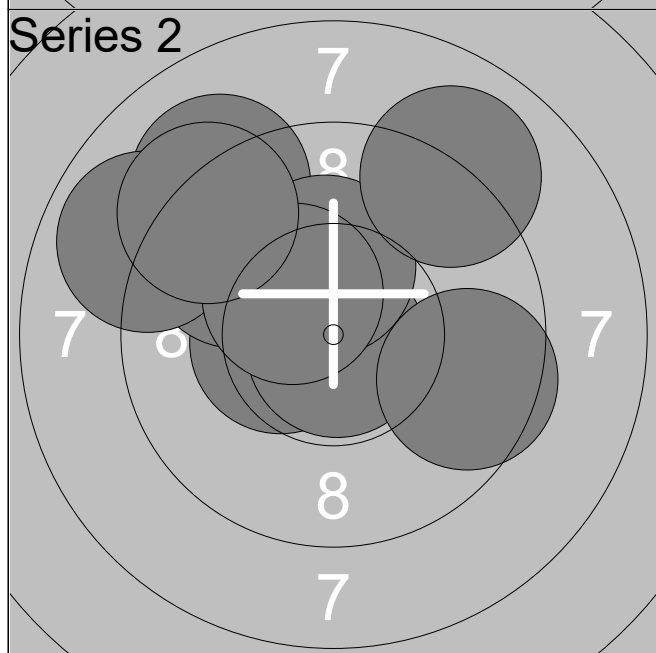
Mix Team Rifle Qual	FIN 2	M	R
---------------------	-------	---	---

11.02.2026	Denmark Open Air 2026	Denmark Open Air 2026
------------	-----------------------	-----------------------



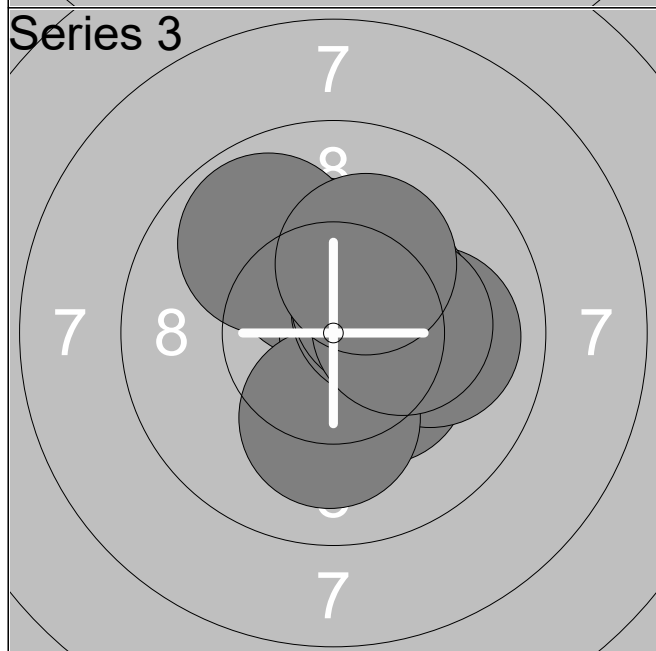
1:	9.9	↓
2:	10.1	←
3:	10.2x	↓
4:	10.2x	↖
5:	10.8x	↘
6:	10.7x	←
7:	10.5x	↗
8:	10.7x	↘
9:	9.8	↑
10:	10.1	↗

Series	103.0
	103.0



1:	10.4x	←
2:	10.8x	↓
3:	9.7	↗
4:	9.5	↘
5:	9.1	↗
6:	10.3x	↑
7:	8.9	↖
8:	10.4x	↗
9:	9.2	↗
10:	9.0	↗

Series	97.3
	200.3



1:	10.4x	↘
2:	10.3x	↑
3:	10.6x	→
4:	10.0	→
5:	10.1	↓
6:	9.9	↗
7:	10.4x	↗
8:	10.4x	↗
9:	10.3x	→
10:	10.2x	↑

Series	102.6
	302.9

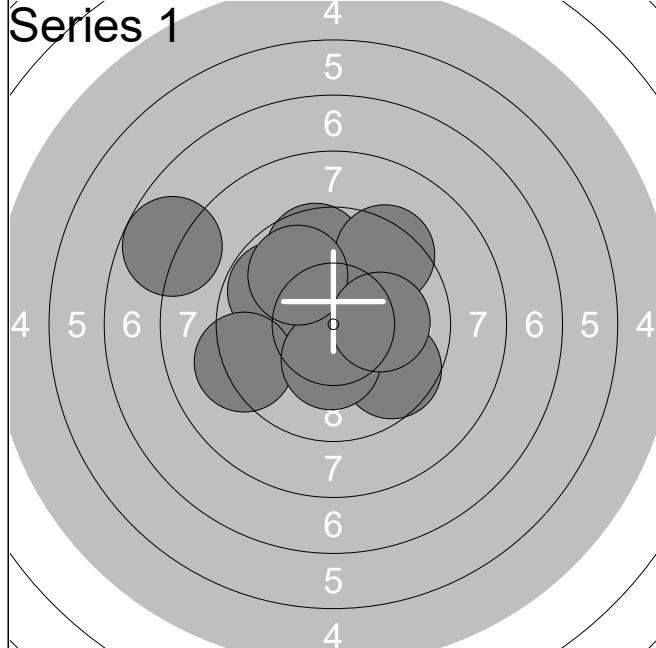
11.02.2026	Denmark Open Air 2026	Denmark Open Air 2026
------------	-----------------------	-----------------------

<p>Series 1</p>	<table style="width:100%; border-collapse: collapse;"> <tr><td style="width:5%;">1:</td><td style="width:15%;">10.5x</td><td style="width:10%; text-align: right;">↘</td></tr> <tr><td>2:</td><td>9.5</td><td style="text-align: right;">↗</td></tr> <tr><td>3:</td><td>8.5</td><td style="text-align: right;">↗</td></tr> <tr><td>4:</td><td>9.1</td><td style="text-align: right;">↗</td></tr> <tr><td>5:</td><td>8.4</td><td style="text-align: right;">→</td></tr> <tr><td>6:</td><td>10.1</td><td style="text-align: right;">↓</td></tr> <tr><td>7:</td><td>9.0</td><td style="text-align: right;">↓</td></tr> <tr><td>8:</td><td>10.2x</td><td style="text-align: right;">↓</td></tr> <tr><td>9:</td><td>8.1</td><td style="text-align: right;">↘</td></tr> <tr><td>10:</td><td>9.2</td><td style="text-align: right;">↙</td></tr> <tr><td colspan="2">Series</td><td style="text-align: right;">92.6</td></tr> <tr><td colspan="2"></td><td style="text-align: right;">92.6</td></tr> </table>	1:	10.5x	↘	2:	9.5	↗	3:	8.5	↗	4:	9.1	↗	5:	8.4	→	6:	10.1	↓	7:	9.0	↓	8:	10.2x	↓	9:	8.1	↘	10:	9.2	↙	Series		92.6			92.6
1:	10.5x	↘																																			
2:	9.5	↗																																			
3:	8.5	↗																																			
4:	9.1	↗																																			
5:	8.4	→																																			
6:	10.1	↓																																			
7:	9.0	↓																																			
8:	10.2x	↓																																			
9:	8.1	↘																																			
10:	9.2	↙																																			
Series		92.6																																			
		92.6																																			
<p>Series 2</p>	<table style="width:100%; border-collapse: collapse;"> <tr><td style="width:5%;">1:</td><td style="width:15%;">10.0</td><td style="width:10%; text-align: right;">→</td></tr> <tr><td>2:</td><td>9.9</td><td style="text-align: right;">←</td></tr> <tr><td>3:</td><td>10.8x</td><td style="text-align: right;">→</td></tr> <tr><td>4:</td><td>9.8</td><td style="text-align: right;">→</td></tr> <tr><td>5:</td><td>10.2x</td><td style="text-align: right;">↓</td></tr> <tr><td>6:</td><td>10.3x</td><td style="text-align: right;">←</td></tr> <tr><td>7:</td><td>9.5</td><td style="text-align: right;">↓</td></tr> <tr><td>8:</td><td>10.2x</td><td style="text-align: right;">↙</td></tr> <tr><td>9:</td><td>10.4x</td><td style="text-align: right;">→</td></tr> <tr><td>10:</td><td>8.5</td><td style="text-align: right;">←</td></tr> <tr><td colspan="2">Series</td><td style="text-align: right;">99.6</td></tr> <tr><td colspan="2"></td><td style="text-align: right;">192.2</td></tr> </table>	1:	10.0	→	2:	9.9	←	3:	10.8x	→	4:	9.8	→	5:	10.2x	↓	6:	10.3x	←	7:	9.5	↓	8:	10.2x	↙	9:	10.4x	→	10:	8.5	←	Series		99.6			192.2
1:	10.0	→																																			
2:	9.9	←																																			
3:	10.8x	→																																			
4:	9.8	→																																			
5:	10.2x	↓																																			
6:	10.3x	←																																			
7:	9.5	↓																																			
8:	10.2x	↙																																			
9:	10.4x	→																																			
10:	8.5	←																																			
Series		99.6																																			
		192.2																																			
<p>Series 3</p>	<table style="width:100%; border-collapse: collapse;"> <tr><td style="width:5%;">1:</td><td style="width:15%;">9.6</td><td style="width:10%; text-align: right;">↗</td></tr> <tr><td>2:</td><td>9.2</td><td style="text-align: right;">→</td></tr> <tr><td>3:</td><td>9.4</td><td style="text-align: right;">←</td></tr> <tr><td>4:</td><td>9.5</td><td style="text-align: right;">←</td></tr> <tr><td>5:</td><td>9.8</td><td style="text-align: right;">↘</td></tr> <tr><td>6:</td><td>10.3x</td><td style="text-align: right;">↓</td></tr> <tr><td>7:</td><td>9.1</td><td style="text-align: right;">←</td></tr> <tr><td>8:</td><td>9.6</td><td style="text-align: right;">↘</td></tr> <tr><td>9:</td><td>9.7</td><td style="text-align: right;">↓</td></tr> <tr><td>10:</td><td>8.9</td><td style="text-align: right;">↙</td></tr> <tr><td colspan="2">Series</td><td style="text-align: right;">95.1</td></tr> <tr><td colspan="2"></td><td style="text-align: right;">287.3</td></tr> </table>	1:	9.6	↗	2:	9.2	→	3:	9.4	←	4:	9.5	←	5:	9.8	↘	6:	10.3x	↓	7:	9.1	←	8:	9.6	↘	9:	9.7	↓	10:	8.9	↙	Series		95.1			287.3
1:	9.6	↗																																			
2:	9.2	→																																			
3:	9.4	←																																			
4:	9.5	←																																			
5:	9.8	↘																																			
6:	10.3x	↓																																			
7:	9.1	←																																			
8:	9.6	↘																																			
9:	9.7	↓																																			
10:	8.9	↙																																			
Series		95.1																																			
		287.3																																			

Relay 1	Lane 11	René Andersen
-------------------	-------------------	----------------------

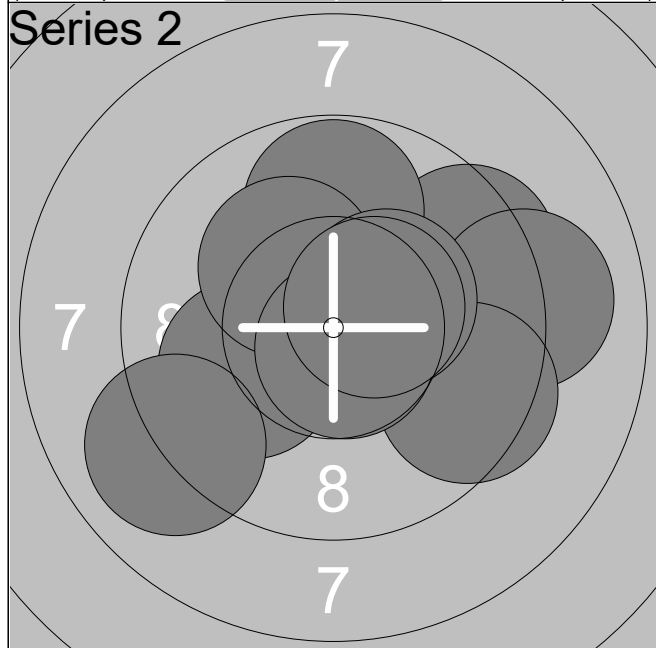
Mix Team Rifle Qual	DEN 2	M	R
---------------------	-------	---	---

11.02.2026	Denmark Open Air 2026	Denmark Open Air 2026
------------	-----------------------	-----------------------



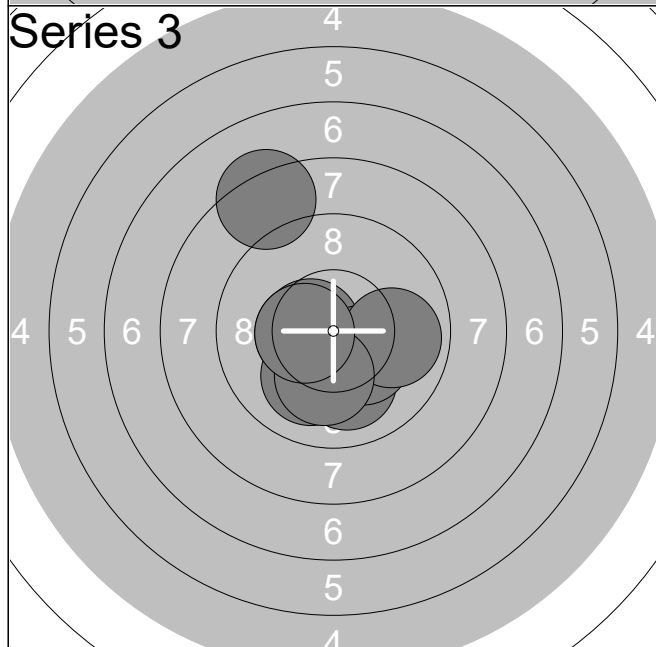
1:	10.1	↗
2:	9.8	↖
3:	9.7	↘
4:	7.7	↖
5:	9.2	↙
6:	10.3x	↓
7:	9.6	↑
8:	9.4	↗
9:	9.9	↗
10:	10.1	→

Series	95.8
	95.8



1:	9.4	↗
2:	10.0	↖
3:	9.8	↑
4:	9.1	→
5:	9.5	↘
6:	10.2x	↗
7:	9.0	↖
8:	10.4x	↗
9:	10.7x	↘
10:	10.5x	↗

Series	98.6
	194.4



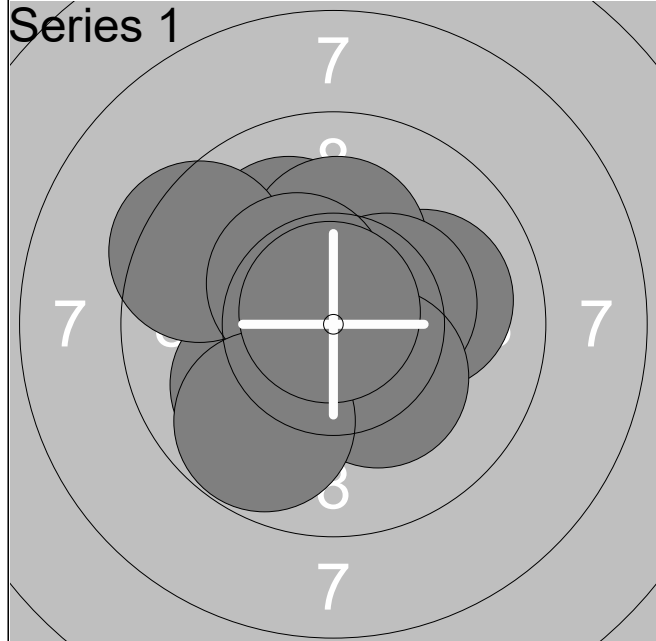
1:	10.5x	↘
2:	10.0	↓
3:	10.4x	↖
4:	10.6x	↖
5:	10.1	↘
6:	10.3x	↘
7:	9.9	→
8:	10.1	↓
9:	10.4x	↖
10:	8.3	↗

Series	100.6
	295.0

Relay 1	Lane 12	Marija Vucenovic
-------------------	-------------------	-------------------------

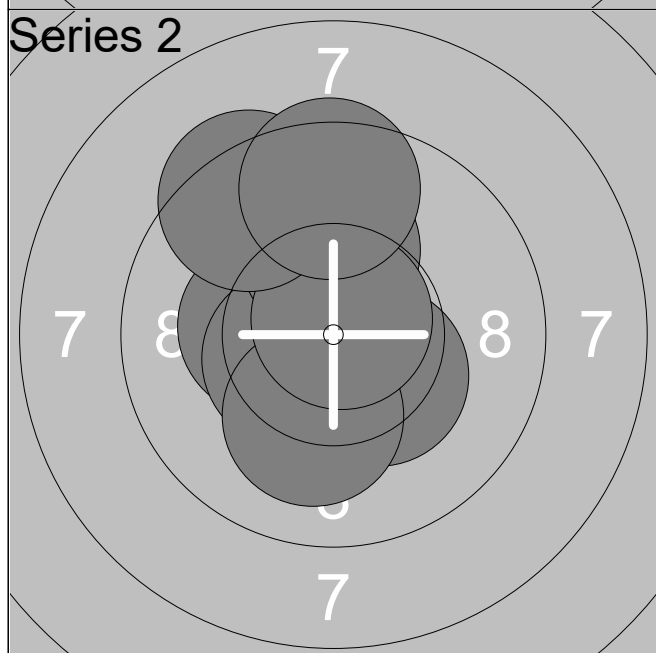
Mix Team Rifle Qual	NOR 1	WJ	R
---------------------	-------	----	---

11.02.2026	Denmark Open Air 2026	Denmark Open Air 2026
------------	-----------------------	-----------------------



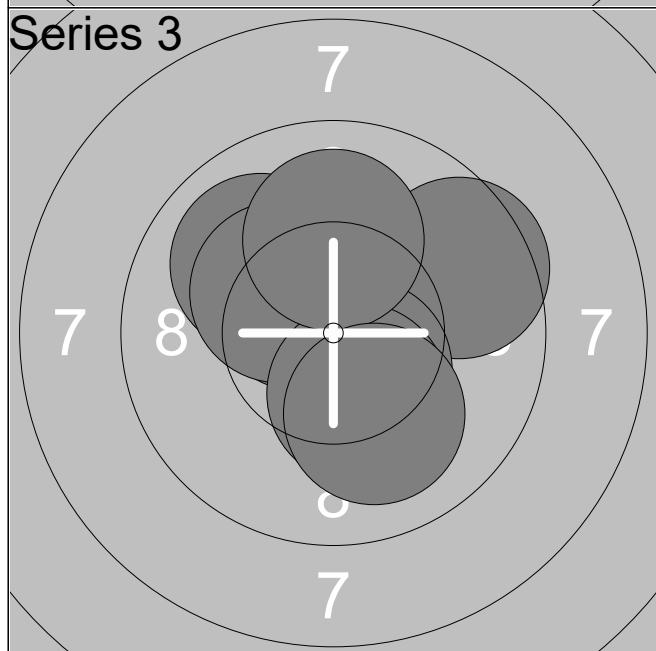
1:	10.1	↖
2:	10.0	→
3:	10.2x	↑
4:	10.0	↙
5:	9.4	↖
6:	10.4x	→
7:	10.3x	↘
8:	10.4x	↗
9:	9.8	↘
10:	10.8x	↑

Series	101.4
	101.4



1:	10.4x	↘
2:	10.4x	←
3:	10.3x	←
4:	10.6x	↘
5:	10.5x	↙
6:	10.1	↑
7:	10.1	↘
8:	10.8x	↗
9:	9.4	↖
10:	9.5	↑

Series	102.1
	203.5



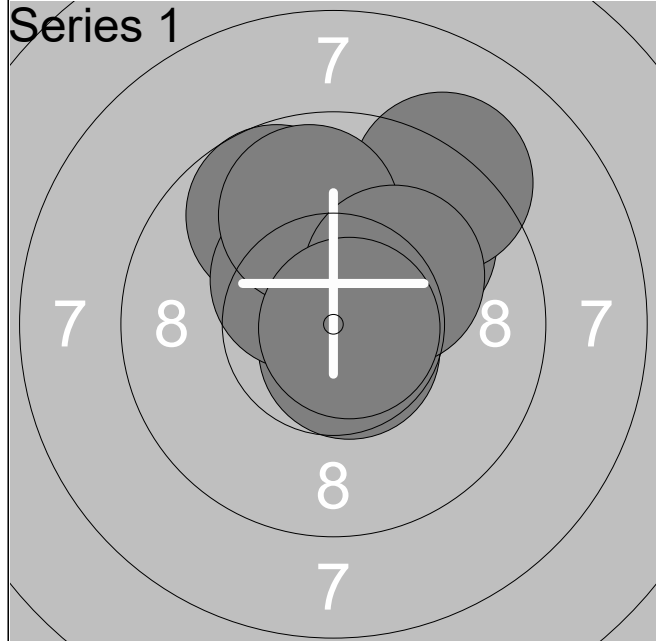
1:	10.0	↖
2:	10.2x	↗
3:	10.3x	↑
4:	9.6	→
5:	10.5x	↘
6:	10.5x	↗
7:	10.3x	↗
8:	10.3x	↘
9:	10.0	↑
10:	10.1	↘

Series	101.8
	305.3

Relay 1	Lane 13	Sander Vampli		
-------------------	-------------------	----------------------	--	--

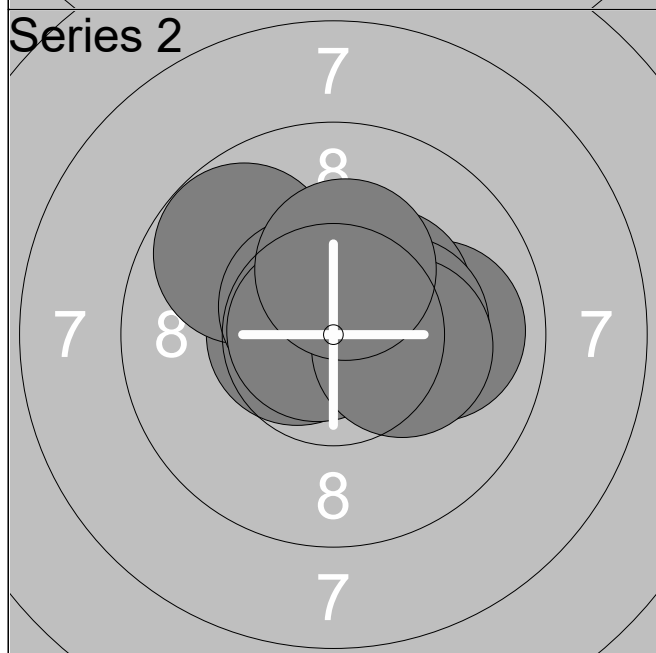
Mix Team Rifle Qual	NOR 1	MJ	R
---------------------	-------	----	---

11.02.2026	Denmark Open Air 2026	Denmark Open Air 2026
------------	-----------------------	-----------------------



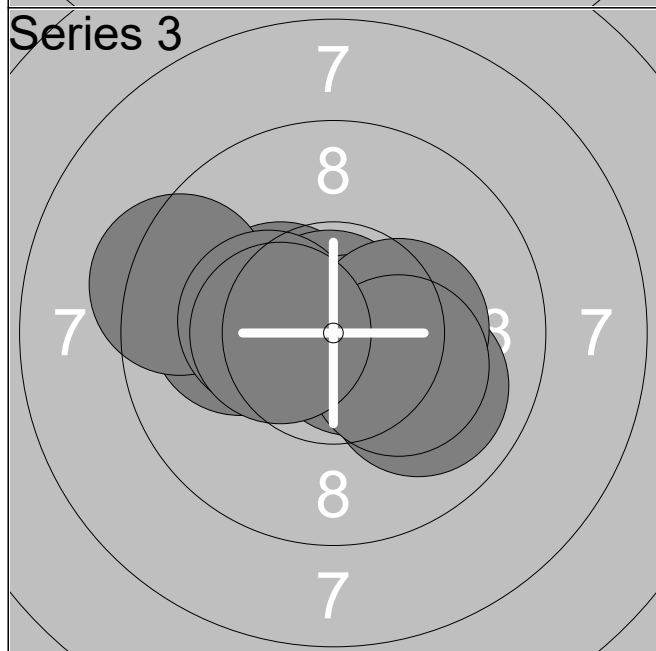
1:	9.7	↗
2:	10.5x	↑
3:	10.7x	↘
4:	10.6x	↗
5:	9.9	↗
6:	10.4x	↗
7:	9.2	↗
8:	9.9	↑
9:	10.2x	↗
10:	10.8x	→

Series	101.9
	101.9



1:	9.9	→
2:	10.5x	↗
3:	10.3x	↗
4:	10.3x	→
5:	10.6x	←
6:	9.8	↗
7:	10.6x	↗
8:	10.8x	←
9:	10.3x	→
10:	10.3x	↑

Series	103.4
	205.3



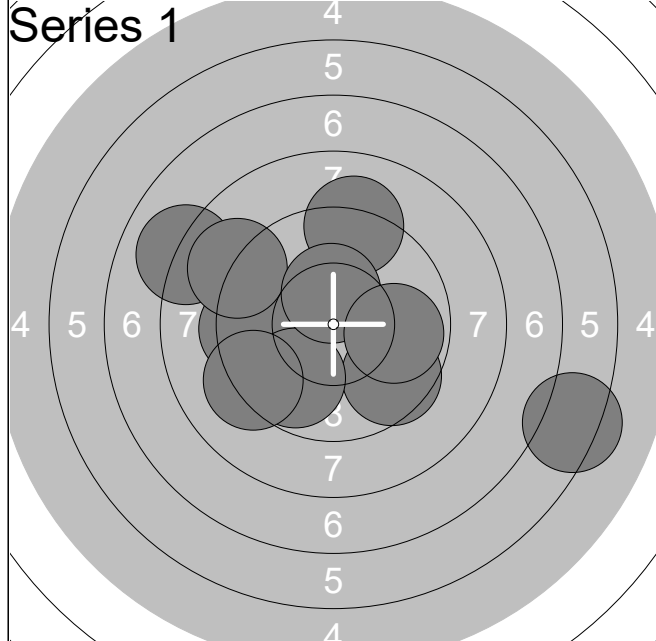
1:	10.4x	←
2:	10.0	↘
3:	10.0	←
4:	10.8x	↑
5:	10.7x	↘
6:	9.4	←
7:	10.3x	→
8:	10.2x	↘
9:	10.3x	←
10:	10.4x	←

Series	102.5
	307.8

Relay 1	Lane 14	Sussie Wismarch Hansen	
-------------------	-------------------	-------------------------------	--

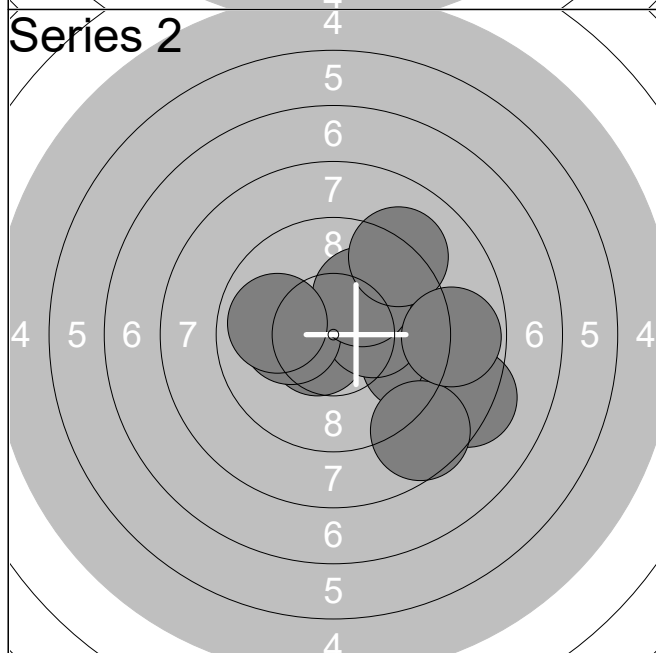
Mix Team Rifle Qual	DEN 4	W	R
---------------------	-------	---	---

11.02.2026	Denmark Open Air 2026	Denmark Open Air 2026
------------	-----------------------	-----------------------



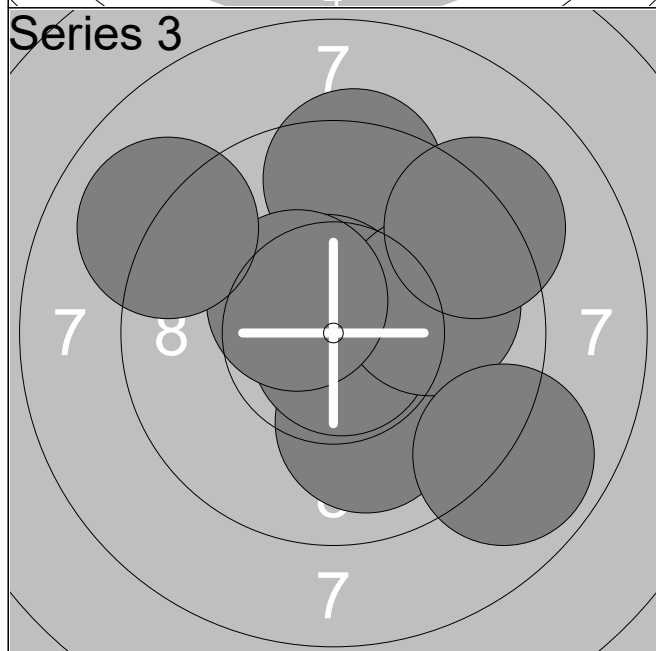
1:	9.5	↘
2:	8.0	↖
3:	9.4	↖
4:	9.8	↘
5:	9.2	↖
6:	9.0	↖
7:	9.1	↑
8:	10.4x	↑
9:	9.9	→
10:	6.3	↘

Series	90.6
	90.6



1:	10.6x	↖
2:	9.5	→
3:	8.3	↘
4:	10.2x	→
5:	10.2x	↖
6:	10.1	↗
7:	8.6	↘
8:	9.9	↖
9:	9.2	↗
10:	8.8	→

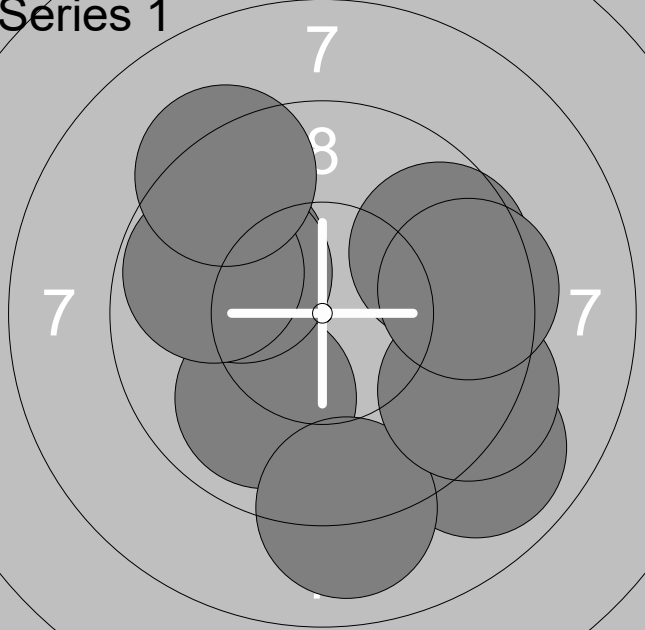
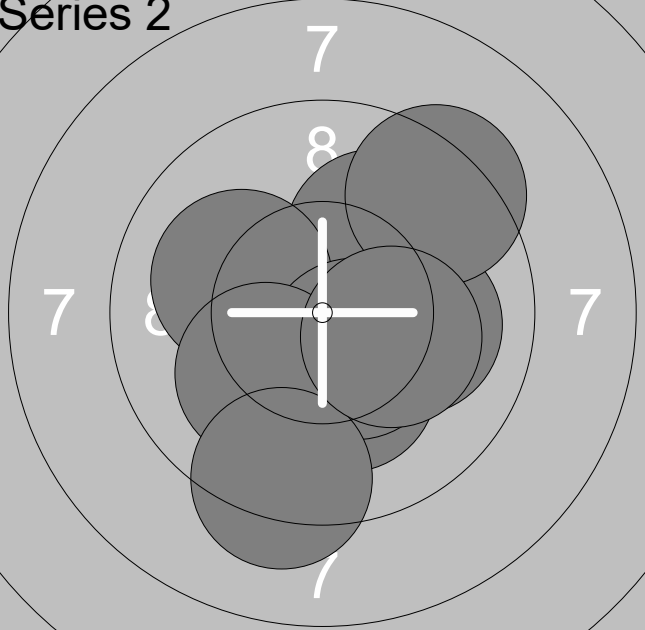
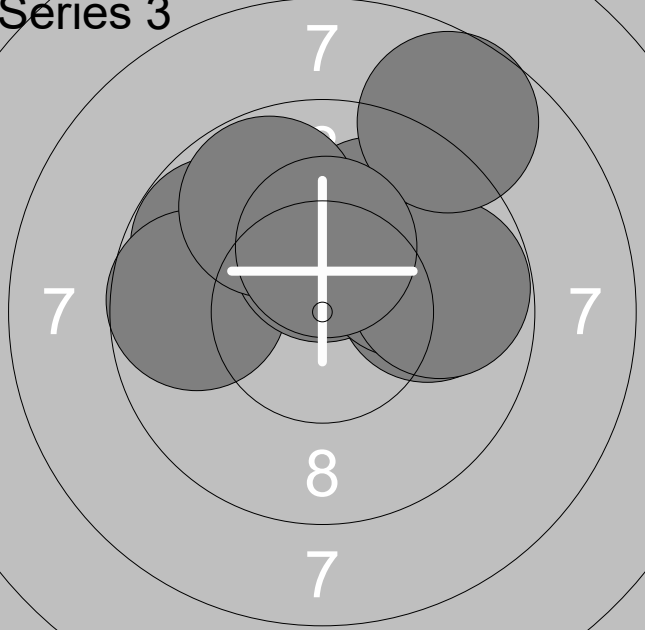
Series	95.4
	186.0



1:	10.0	↘
2:	9.7	↑
3:	9.4	↑
4:	10.6x	↑
5:	10.8x	↘
6:	9.9	→
7:	8.9	↘
8:	10.5x	↗
9:	9.2	↗
10:	9.0	↖

Series	98.0
	284.0

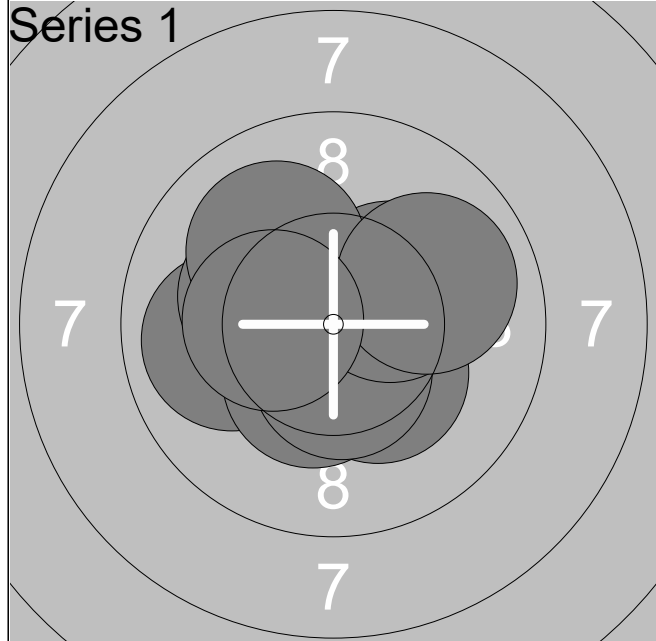
11.02.2026	Denmark Open Air 2026	Denmark Open Air 2026
------------	-----------------------	-----------------------

<h3 style="margin:0;">Series 1</h3> 	<table style="width:100%; border-collapse: collapse;"> <tr><td style="width:5%;">1:</td><td style="width:15%;">9.9</td><td style="width:10%; text-align: right;">↙</td></tr> <tr><td>2:</td><td>10.0</td><td style="text-align: right;">↗</td></tr> <tr><td>3:</td><td>8.9</td><td style="text-align: right;">↘</td></tr> <tr><td>4:</td><td>10.1</td><td style="text-align: right;">↗</td></tr> <tr><td>5:</td><td>9.8</td><td style="text-align: right;">↖</td></tr> <tr><td>6:</td><td>9.0</td><td style="text-align: right;">↘</td></tr> <tr><td>7:</td><td>9.3</td><td style="text-align: right;">↘</td></tr> <tr><td>8:</td><td>9.3</td><td style="text-align: right;">↗</td></tr> <tr><td>9:</td><td>9.7</td><td style="text-align: right;">↗</td></tr> <tr><td>10:</td><td>9.5</td><td style="text-align: right;">→</td></tr> <tr><td colspan="2" style="border-top: 1px solid black;">Series</td><td style="text-align: right;">95.5</td></tr> <tr><td colspan="2"></td><td style="text-align: right;">95.5</td></tr> </table>	1:	9.9	↙	2:	10.0	↗	3:	8.9	↘	4:	10.1	↗	5:	9.8	↖	6:	9.0	↘	7:	9.3	↘	8:	9.3	↗	9:	9.7	↗	10:	9.5	→	Series		95.5			95.5
1:	9.9	↙																																			
2:	10.0	↗																																			
3:	8.9	↘																																			
4:	10.1	↗																																			
5:	9.8	↖																																			
6:	9.0	↘																																			
7:	9.3	↘																																			
8:	9.3	↗																																			
9:	9.7	↗																																			
10:	9.5	→																																			
Series		95.5																																			
		95.5																																			
<h3 style="margin:0;">Series 2</h3> 	<table style="width:100%; border-collapse: collapse;"> <tr><td style="width:5%;">1:</td><td style="width:15%;">10.4x</td><td style="width:10%; text-align: right;">↘</td></tr> <tr><td>2:</td><td>10.1</td><td style="text-align: right;">→</td></tr> <tr><td>3:</td><td>10.1</td><td style="text-align: right;">↗</td></tr> <tr><td>4:</td><td>10.2x</td><td style="text-align: right;">↘</td></tr> <tr><td>5:</td><td>10.1</td><td style="text-align: right;">↖</td></tr> <tr><td>6:</td><td>9.3</td><td style="text-align: right;">↗</td></tr> <tr><td>7:</td><td>10.5x</td><td style="text-align: right;">↘</td></tr> <tr><td>8:</td><td>10.1</td><td style="text-align: right;">↘</td></tr> <tr><td>9:</td><td>9.3</td><td style="text-align: right;">↘</td></tr> <tr><td>10:</td><td>10.2x</td><td style="text-align: right;">→</td></tr> <tr><td colspan="2" style="border-top: 1px solid black;">Series</td><td style="text-align: right;">100.3</td></tr> <tr><td colspan="2"></td><td style="text-align: right;">195.8</td></tr> </table>	1:	10.4x	↘	2:	10.1	→	3:	10.1	↗	4:	10.2x	↘	5:	10.1	↖	6:	9.3	↗	7:	10.5x	↘	8:	10.1	↘	9:	9.3	↘	10:	10.2x	→	Series		100.3			195.8
1:	10.4x	↘																																			
2:	10.1	→																																			
3:	10.1	↗																																			
4:	10.2x	↘																																			
5:	10.1	↖																																			
6:	9.3	↗																																			
7:	10.5x	↘																																			
8:	10.1	↘																																			
9:	9.3	↘																																			
10:	10.2x	→																																			
Series		100.3																																			
		195.8																																			
<h3 style="margin:0;">Series 3</h3> 	<table style="width:100%; border-collapse: collapse;"> <tr><td style="width:5%;">1:</td><td style="width:15%;">9.9</td><td style="width:10%; text-align: right;">→</td></tr> <tr><td>2:</td><td>9.9</td><td style="text-align: right;">↗</td></tr> <tr><td>3:</td><td>9.8</td><td style="text-align: right;">↖</td></tr> <tr><td>4:</td><td>9.7</td><td style="text-align: right;">←</td></tr> <tr><td>5:</td><td>10.3x</td><td style="text-align: right;">↑</td></tr> <tr><td>6:</td><td>10.0</td><td style="text-align: right;">↗</td></tr> <tr><td>7:</td><td>9.8</td><td style="text-align: right;">→</td></tr> <tr><td>8:</td><td>9.8</td><td style="text-align: right;">↗</td></tr> <tr><td>9:</td><td>8.7</td><td style="text-align: right;">↗</td></tr> <tr><td>10:</td><td>10.3x</td><td style="text-align: right;">↑</td></tr> <tr><td colspan="2" style="border-top: 1px solid black;">Series</td><td style="text-align: right;">98.2</td></tr> <tr><td colspan="2"></td><td style="text-align: right;">294.0</td></tr> </table>	1:	9.9	→	2:	9.9	↗	3:	9.8	↖	4:	9.7	←	5:	10.3x	↑	6:	10.0	↗	7:	9.8	→	8:	9.8	↗	9:	8.7	↗	10:	10.3x	↑	Series		98.2			294.0
1:	9.9	→																																			
2:	9.9	↗																																			
3:	9.8	↖																																			
4:	9.7	←																																			
5:	10.3x	↑																																			
6:	10.0	↗																																			
7:	9.8	→																																			
8:	9.8	↗																																			
9:	8.7	↗																																			
10:	10.3x	↑																																			
Series		98.2																																			
		294.0																																			

Relay 1	Lane 16	Essi Heiskanen
-------------------	-------------------	-----------------------

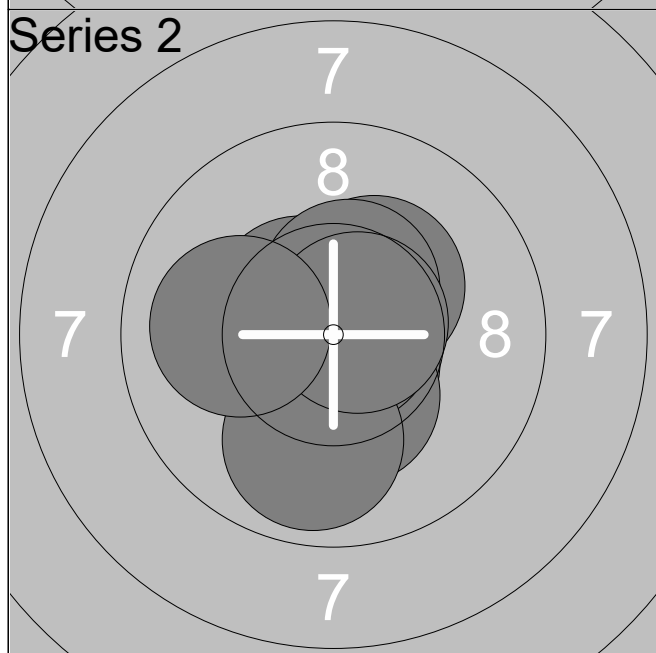
Mix Team Rifle Qual	FIN 1	W	R
---------------------	-------	---	---

11.02.2026	Denmark Open Air 2026	Denmark Open Air 2026
------------	-----------------------	-----------------------



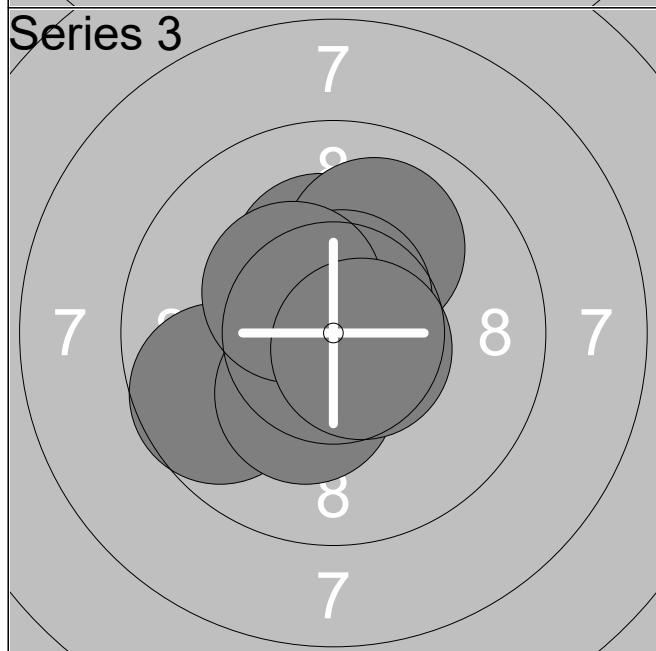
1:	10.3x	↘
2:	10.0	←
3:	10.4x	↘
4:	10.3x	↖
5:	10.6x	↖
6:	10.5x	↘
7:	10.3x	↗
8:	10.0	↗
9:	10.0	↗
10:	10.4x	←

Series	102.8
	102.8



1:	10.6x	↘
2:	10.4x	↘
3:	10.9x	←
4:	10.3x	↗
5:	10.8x	→
6:	10.6x	↖
7:	10.5x	↗
8:	9.9	↘
9:	10.7x	↗
10:	10.0	←

Series	104.7
	207.5



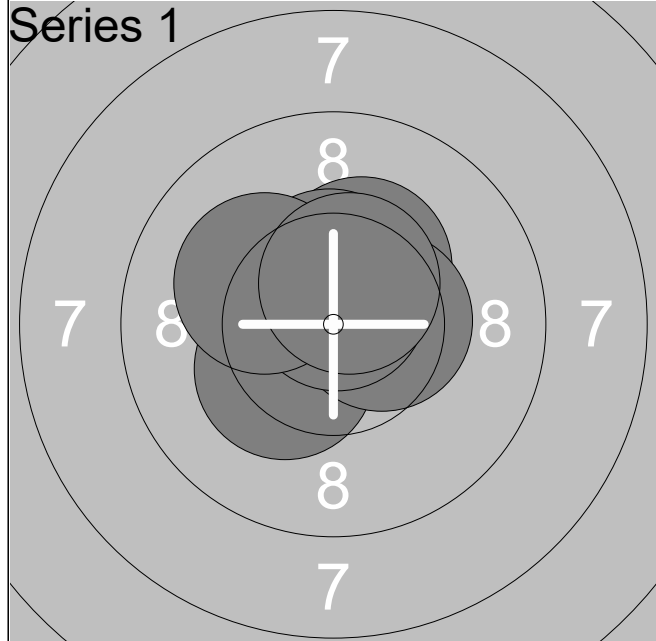
1:	10.8x	↗
2:	10.3x	↗
3:	10.8x	↘
4:	10.7x	↗
5:	10.0	↗
6:	9.7	←
7:	10.3x	↘
8:	10.6x	↗
9:	10.4x	↗
10:	10.6x	↘

Series	104.2
	311.7

Relay 1	Lane 17	Roni Airo
-------------------	-------------------	------------------

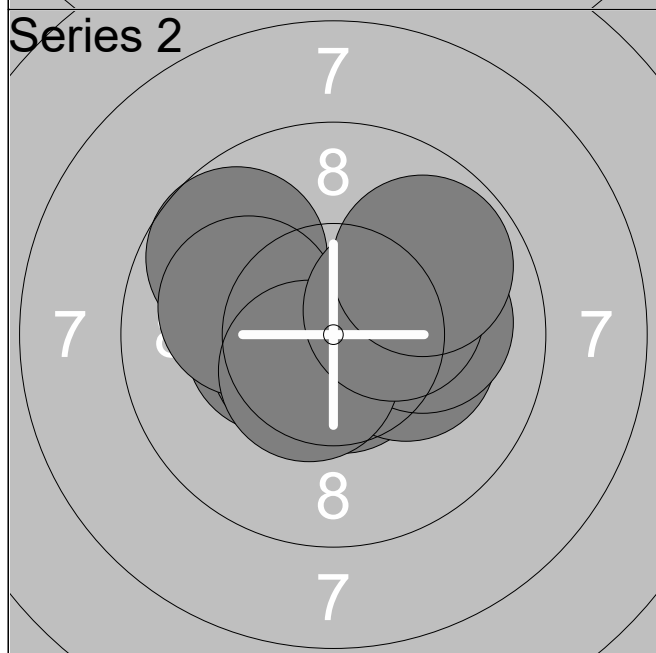
Mix Team Rifle Qual	FIN 1	M	R
---------------------	-------	---	---

11.02.2026	Denmark Open Air 2026	Denmark Open Air 2026
------------	-----------------------	-----------------------



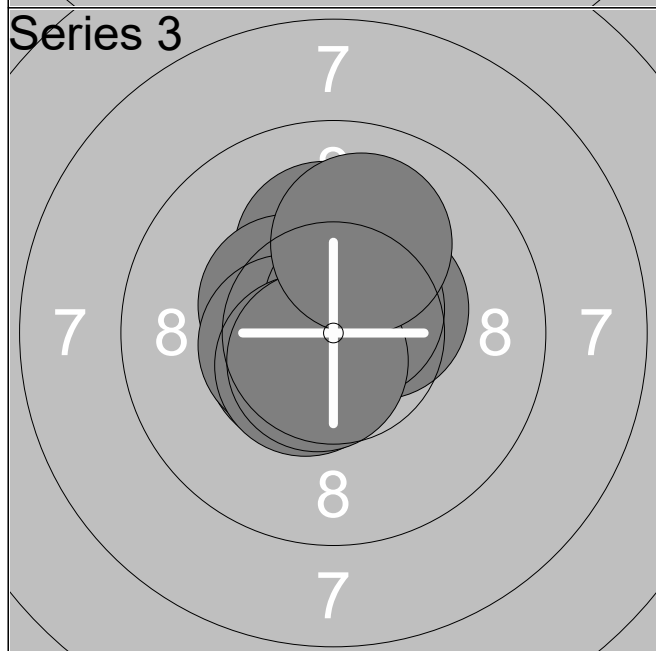
1:	10.4x	↗
2:	10.7x	↖
3:	10.3x	↗
4:	10.7x	↗
5:	10.3x	↙
6:	10.5x	→
7:	10.5x	↑
8:	10.7x	↑
9:	10.2x	↖
10:	10.5x	↗

Series	104.8
	104.8



1:	10.6x	↓
2:	10.4x	←
3:	10.6x	↙
4:	10.2x	→
5:	9.7	↖
6:	10.1	→
7:	10.1	←
8:	10.5x	↓
9:	10.3x	→
10:	9.8	↗

Series	102.3
	207.1



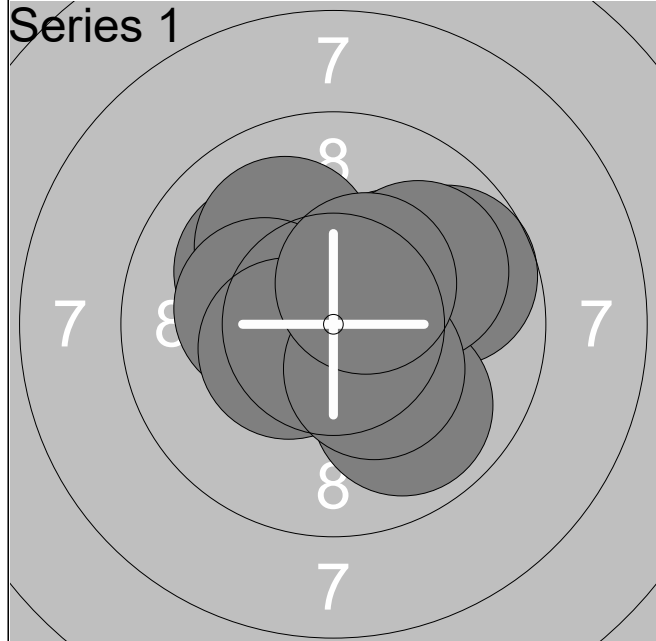
1:	10.4x	↗
2:	10.2x	↑
3:	10.4x	↖
4:	10.5x	↙
5:	10.6x	↙
6:	10.5x	←
7:	10.7x	↗
8:	10.5x	↙
9:	10.6x	↓
10:	10.0	↑

Series	104.4
	311.5

Relay 1	Lane 18	Freya Kristensen
-------------------	-------------------	-------------------------

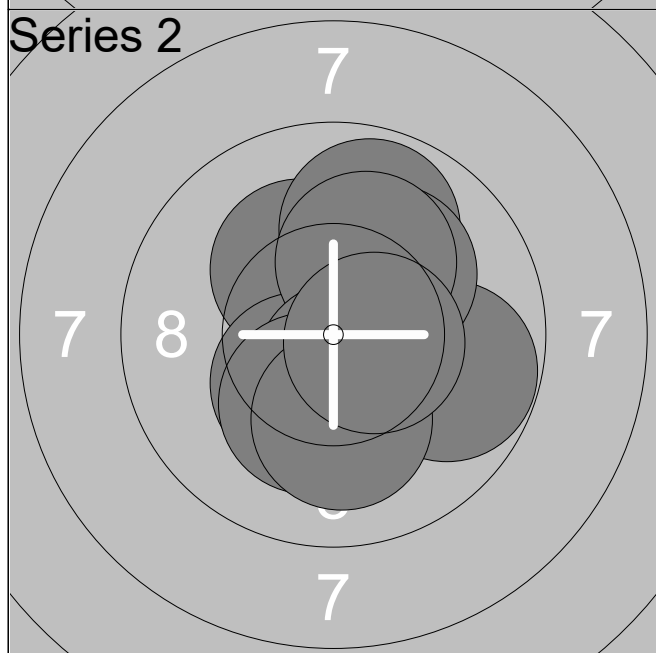
Mix Team Rifle Qual	DEN 3	WJ	R
---------------------	-------	----	---

11.02.2026	Denmark Open Air 2026	Denmark Open Air 2026
------------	-----------------------	-----------------------



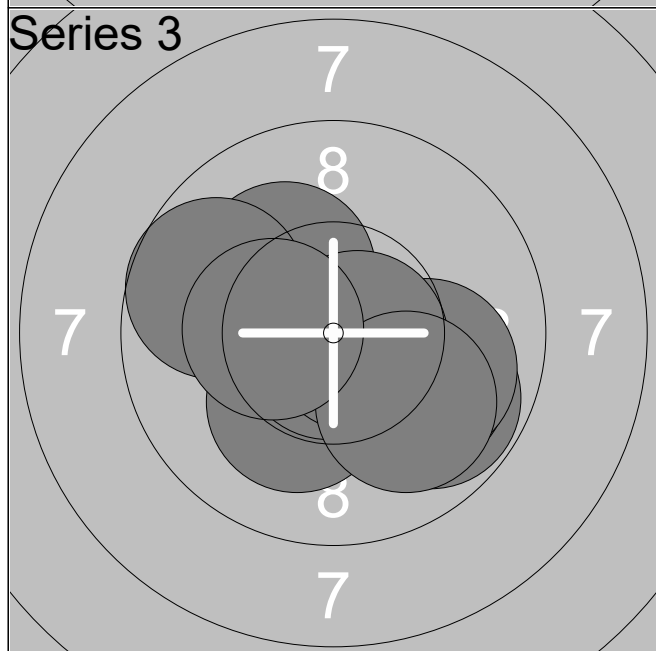
1:	9.7	➔
2:	10.1	↗
3:	10.2x	↗
4:	10.0	↗
5:	10.2x	↖
6:	9.9	↘
7:	10.0	↗
8:	10.5x	↖
9:	10.3x	↘
10:	10.4x	↗

Series	101.3
	101.3



1:	10.2x	↗
2:	9.8	➔
3:	9.8	↗
4:	10.1	↗
5:	10.4x	↘
6:	10.2x	↗
7:	10.6x	↘
8:	10.2x	↘
9:	10.1	↘
10:	10.5x	➔

Series	101.9
	203.2



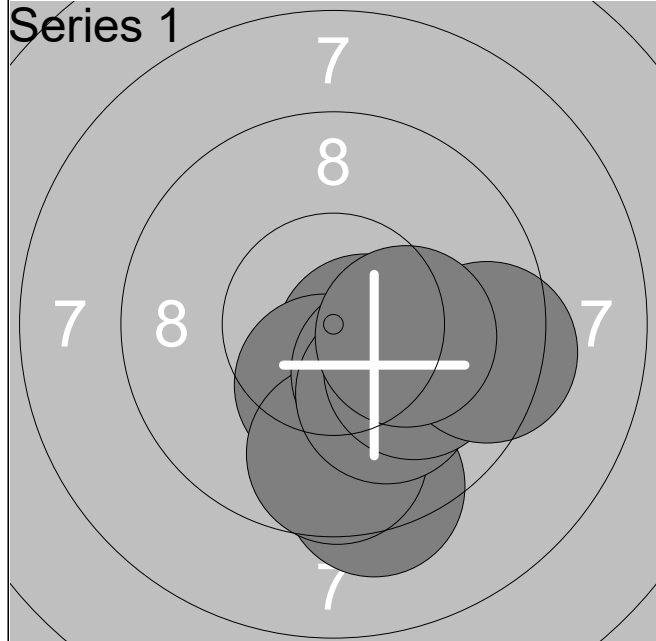
1:	10.2x	↘
2:	9.8	↘
3:	10.2x	↗
4:	10.0	↘
5:	10.0	↘
6:	10.8x	↘
7:	10.7x	➔
8:	10.0	↘
9:	9.7	↖
10:	10.3x	↖

Series	101.7
	304.9

Relay 1	Lane 19	Jens Frimann		
-------------------	-------------------	---------------------	--	--

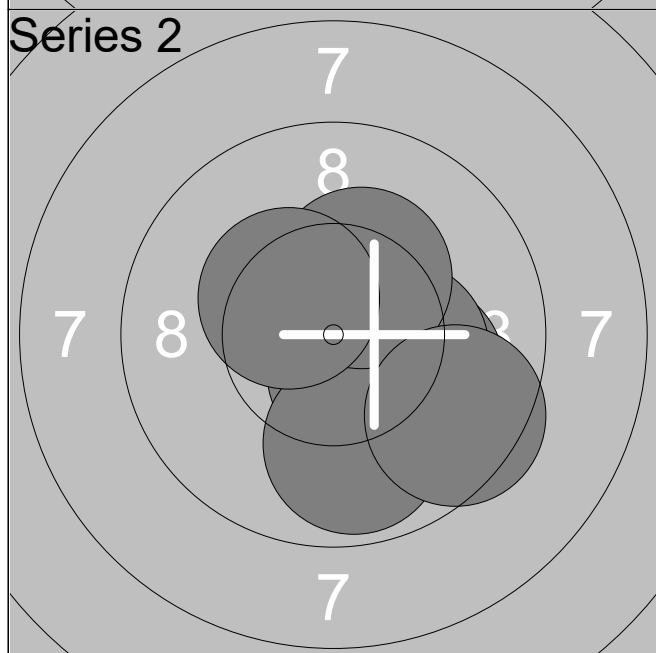
Mix Team Rifle Qual	DEN 3	M	R
---------------------	-------	---	---

11.02.2026	Denmark Open Air 2026	Denmark Open Air 2026
------------	-----------------------	-----------------------



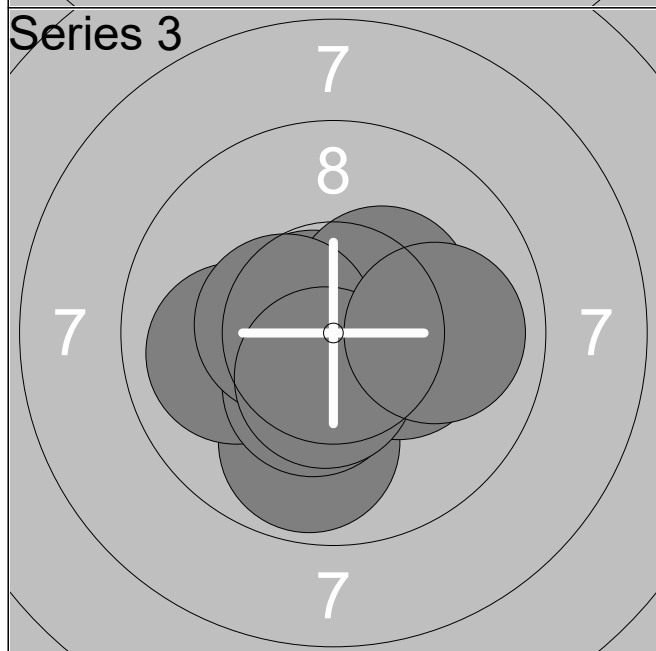
1:	10.6x	↘
2:	9.4	↓
3:	10.4x	↓
4:	9.3	↓
5:	9.7	↓
6:	10.3x	↘
7:	10.1	↘
8:	10.0	↘
9:	9.4	→
10:	10.2x	→

Series	99.4
	99.4



1:	10.4x	↘
2:	10.5x	↗
3:	9.9	↘
4:	10.1	↘
5:	10.3x	→
6:	10.5x	↘
7:	9.9	↓
8:	10.3x	↗
9:	10.4x	↗
10:	9.5	↘

Series	101.8
	201.2



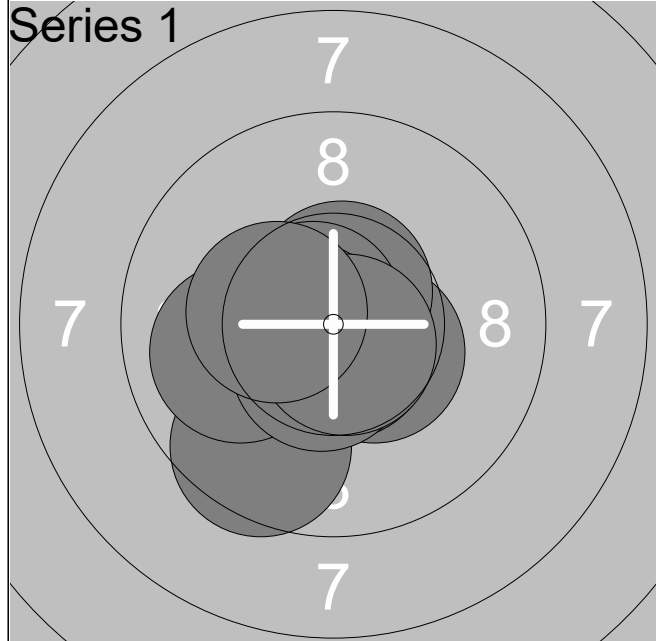
1:	9.8	↓
2:	10.0	←
3:	10.4x	↓
4:	10.3x	→
5:	10.8x	↓
6:	10.7x	↗
7:	10.4x	↗
8:	10.5x	←
9:	10.5x	↓
10:	10.0	→

Series	103.4
	304.6

Relay 1	Lane 20	Saumya Rajeshbhai Ramani		
-------------------	-------------------	---------------------------------	--	--

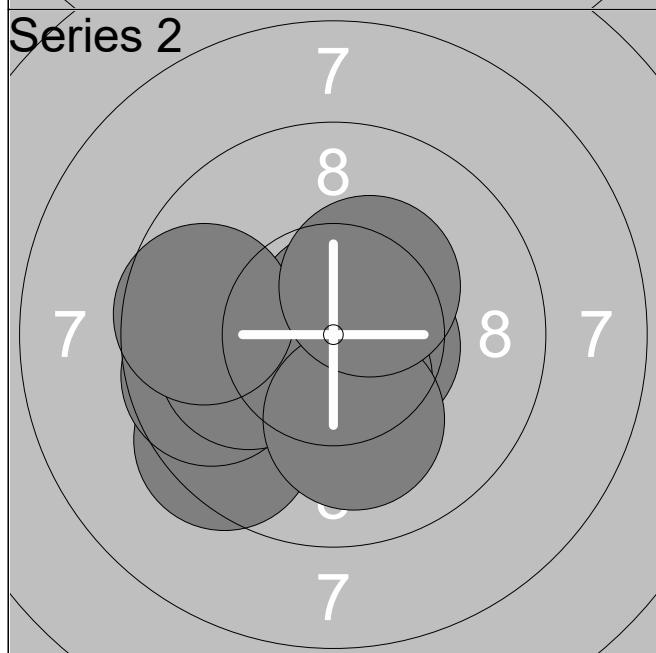
Mix Team Rifle Qual	IND 1	M	R
---------------------	-------	---	---

11.02.2026	Denmark Open Air 2026	Denmark Open Air 2026
------------	-----------------------	-----------------------



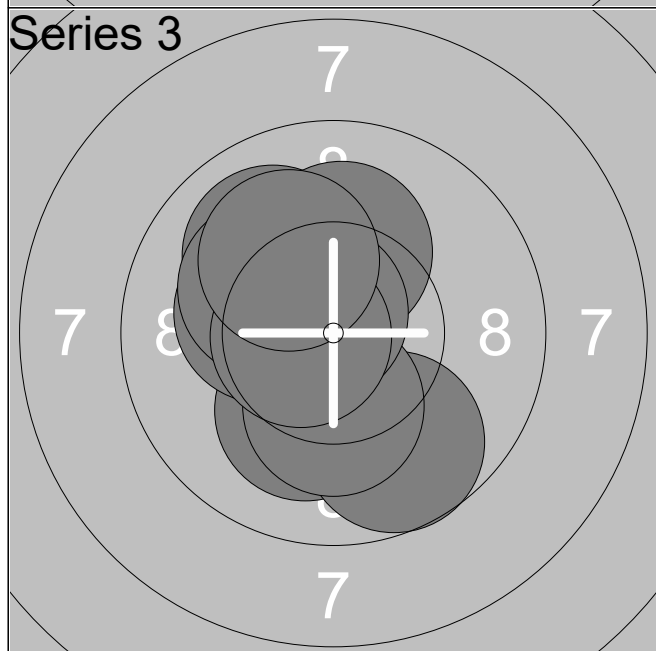
1:	10.5x	↘
2:	10.6x	↑
3:	10.7x	↓
4:	9.5	↘
5:	10.7x	↗
6:	10.0	←
7:	10.7x	←
8:	10.6x	↓
9:	10.7x	↓
10:	10.4x	←

Series	104.4
	104.4



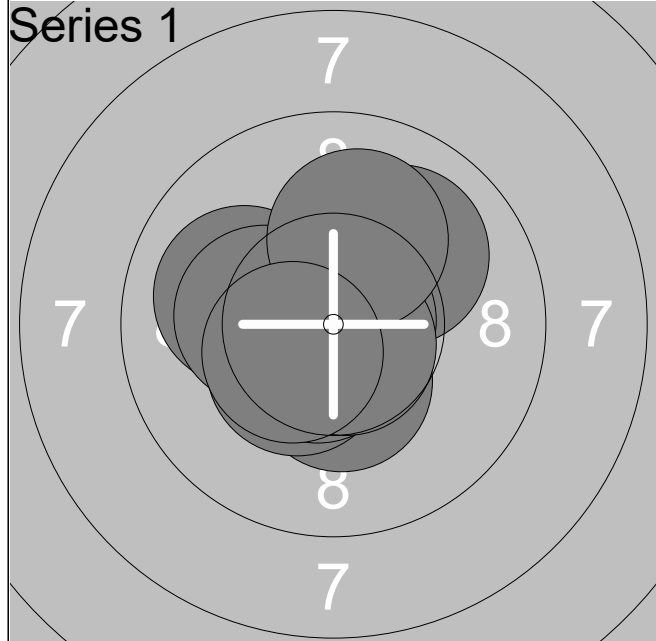
1:	10.6x	→
2:	10.5x	↓
3:	10.8x	↗
4:	10.9x	↓
5:	9.4	↘
6:	9.7	←
7:	10.1	←
8:	9.7	←
9:	10.1	↓
10:	10.4x	↗

Series	102.2
	206.6



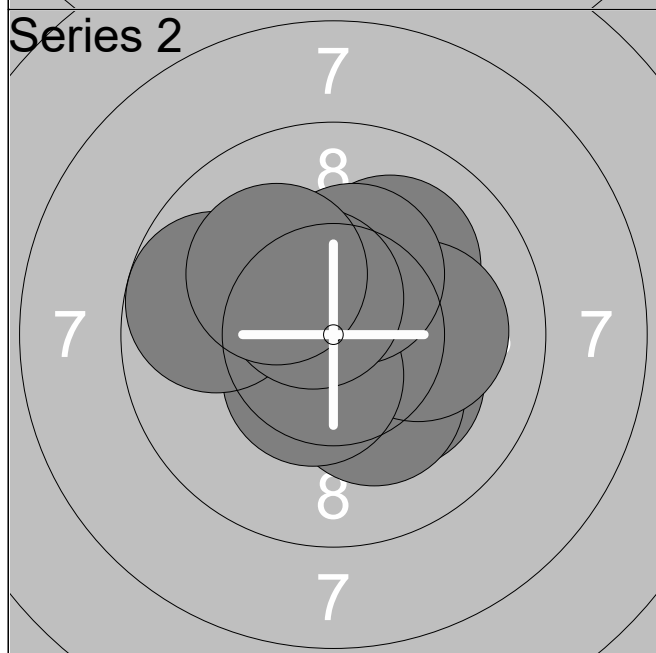
1:	10.1	↓
2:	10.0	↗
3:	10.3x	←
4:	9.7	↓
5:	10.2x	↓
6:	10.1	↑
7:	10.2x	↗
8:	10.7x	↗
9:	10.6x	←
10:	10.1	↗

Series	102.0
	308.6



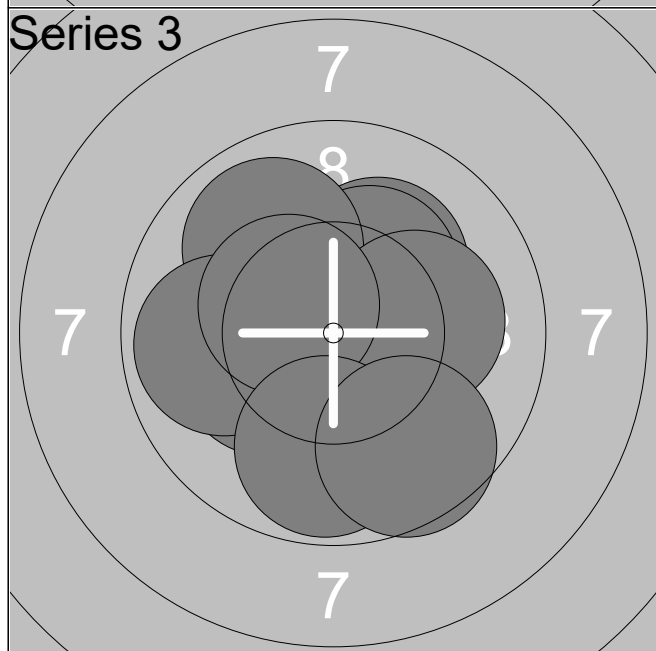
1:	10.0	↗
2:	10.0	↖
3:	10.4x	↓
4:	10.3x	↖
5:	10.8x	→
6:	10.4x	↙
7:	10.6x	↙
8:	10.7x	↙
9:	10.1	↑
10:	10.5x	↙

Series	103.8
	103.8



1:	10.2x	↘
2:	10.2x	↗
3:	10.2x	↘
4:	10.1	↗
5:	10.1	→
6:	10.5x	↙
7:	10.3x	↑
8:	9.8	↖
9:	10.5x	↗
10:	10.1	↗

Series	102.0
	205.8



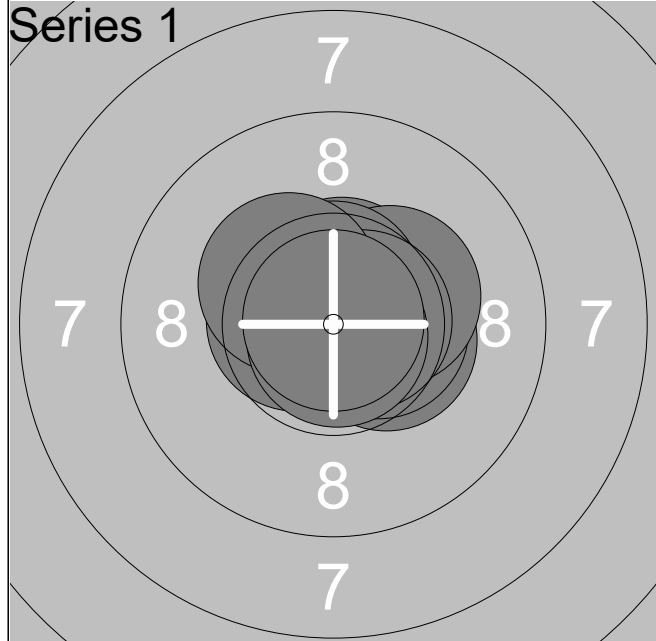
1:	10.2x	↗
2:	10.3x	↗
3:	10.2x	↖
4:	9.9	↗
5:	10.2x	↖
6:	9.9	↖
7:	10.2x	→
8:	10.4x	↗
9:	9.8	↓
10:	9.6	↘

Series	100.7
	306.5

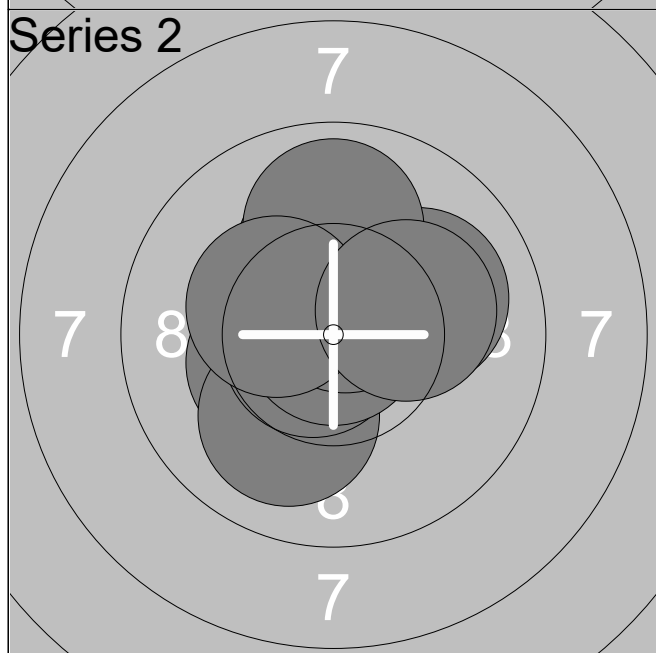
Relay 1	Lane 22	Rikke Mæng
-------------------	-------------------	-------------------

Mix Team Rifle Qual	DEN 5	W	R
---------------------	-------	---	---

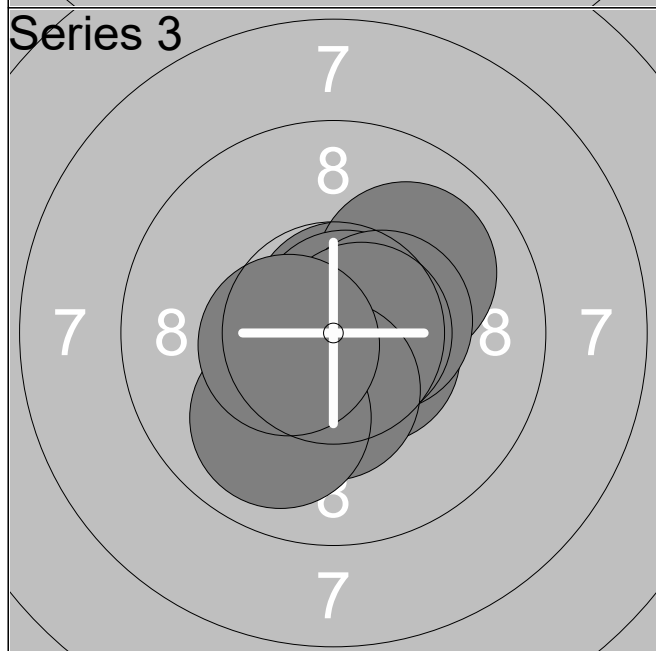
11.02.2026	Denmark Open Air 2026	Denmark Open Air 2026
------------	-----------------------	-----------------------



1:	10.6x	↑
2:	10.4x	→
3:	10.5x	→
4:	10.3x	↗
5:	10.6x	←
6:	10.6x	↑
7:	10.7x	→
8:	10.4x	↖
9:	10.8x	↓
10:	10.9x	↑
Series		105.8
		105.8



1:	10.3x	←
2:	10.0	↓
3:	10.7x	←
4:	10.2x	↑
5:	10.1	→
6:	10.9x	
7:	10.6x	↑
8:	9.9	↑
9:	10.3x	←
10:	10.2x	→
Series		103.2
		209.0

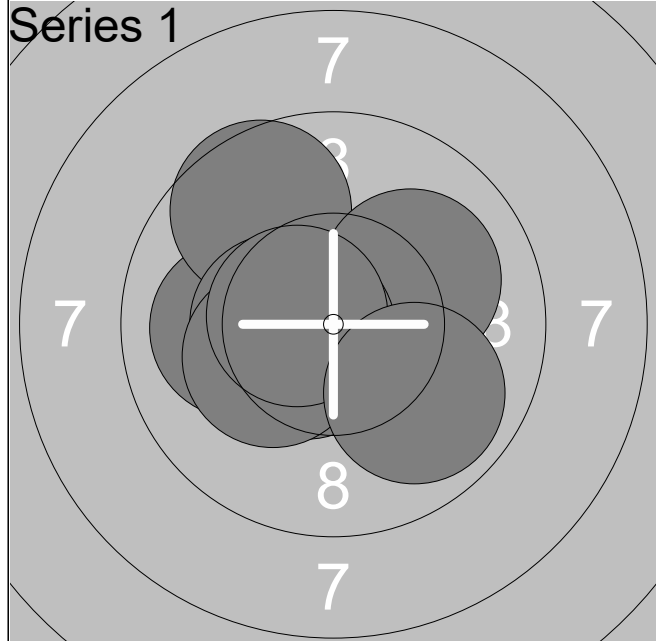


1:	10.7x	↑
2:	10.8x	→
3:	10.0	↗
4:	10.5x	↘
5:	10.8x	↗
6:	10.5x	→
7:	10.7x	→
8:	10.4x	↓
9:	10.0	↓
10:	10.5x	←
Series		104.9
		313.9

Relay 1	Lane 23	René Kristiansen
-------------------	-------------------	-------------------------

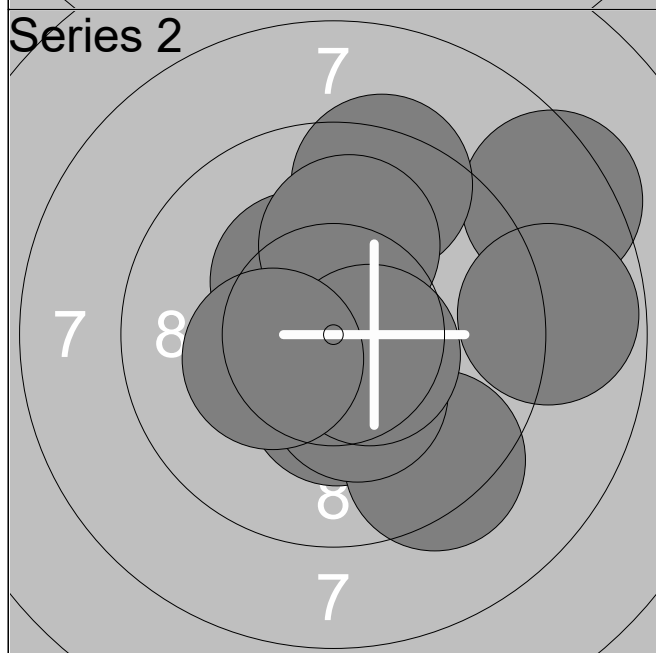
Mix Team Rifle Qual	DEN 5	M	R
---------------------	-------	---	---

11.02.2026	Denmark Open Air 2026	Denmark Open Air 2026
------------	-----------------------	-----------------------



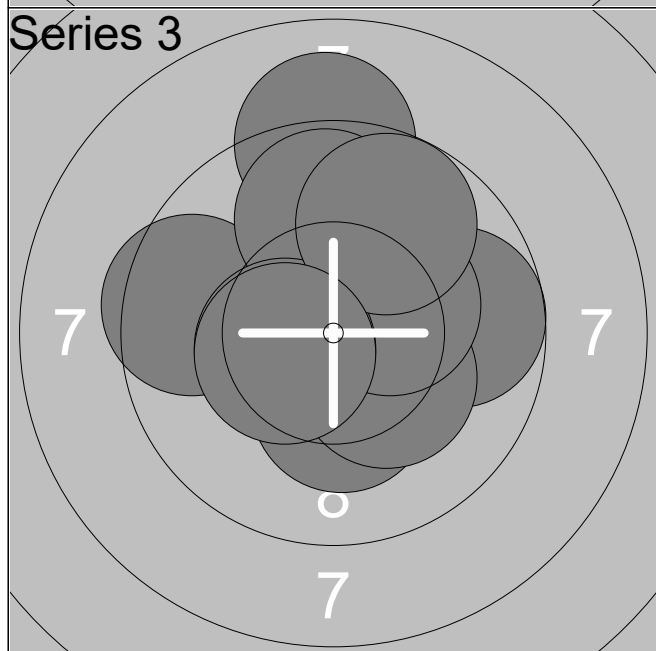
1:	10.6x	↙
2:	10.0	←
3:	10.8x	↗
4:	9.6	↖
5:	10.1	↗
6:	10.7x	←
7:	10.4x	←
8:	10.3x	←
9:	10.6x	←
10:	9.9	↘

Series	103.0
	103.0



1:	8.4	↗
2:	9.4	↗
3:	8.8	→
4:	10.4x	↖
5:	10.0	↗
6:	10.3x	↓
7:	9.4	↘
8:	10.3x	↓
9:	10.6x	↘
10:	10.3x	←

Series	97.9
	200.9



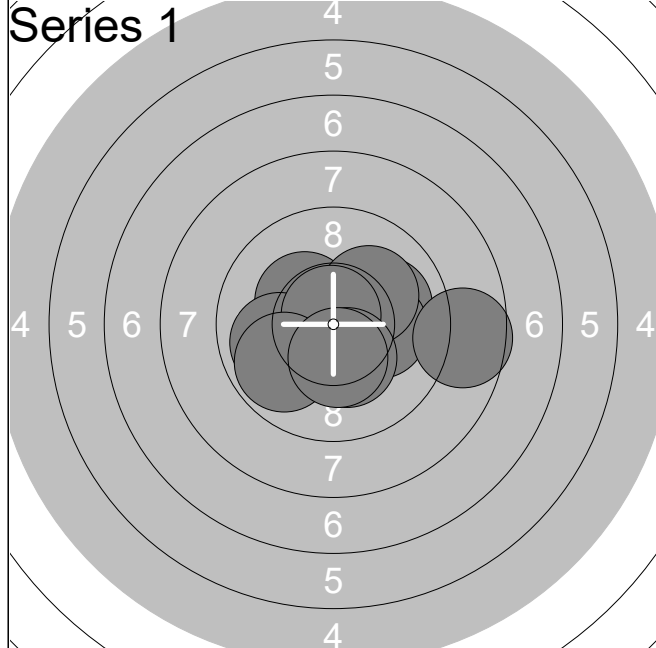
1:	9.8	→
2:	10.3x	↓
3:	9.5	←
4:	10.3x	↘
5:	9.1	↗
6:	9.8	↗
7:	10.3x	↗
8:	10.4x	←
9:	9.8	↗
10:	10.4x	←

Series	99.7
	300.6

Relay 1	Lane 24	Stella Murphy		
-------------------	-------------------	----------------------	--	--

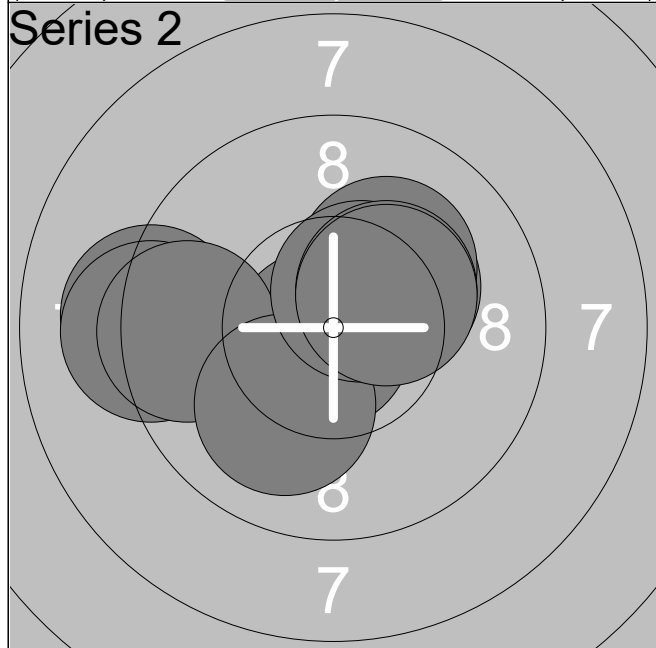
Mix Team Rifle Qual	INT 1	WJ	R
---------------------	-------	----	---

11.02.2026	Denmark Open Air 2026	Denmark Open Air 2026
------------	-----------------------	-----------------------



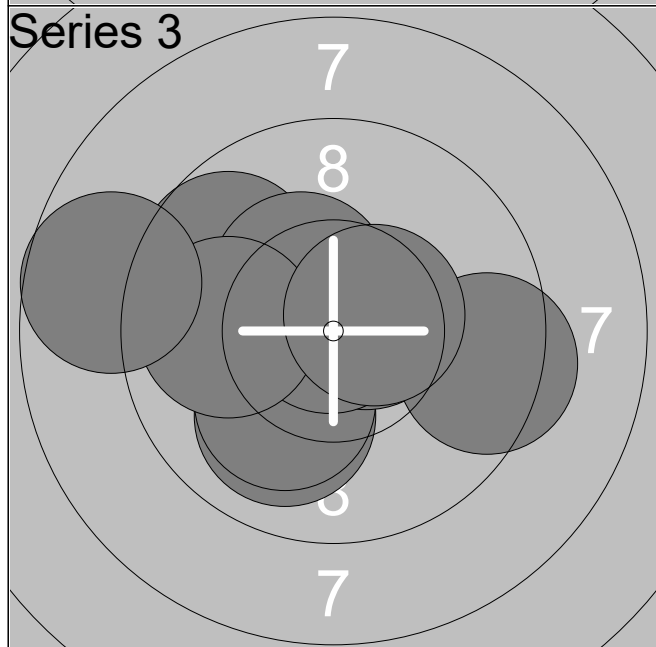
1:	10.0	➔
2:	10.3x	↖
3:	10.1	➔
4:	10.1	↗
5:	9.9	↖
6:	8.6	➔
7:	10.8x	↑
8:	10.3x	↓
9:	9.8	↖
10:	10.4x	↓

Series	100.3
	100.3



1:	9.1	↖
2:	9.1	↖
3:	10.8x	↘
4:	9.5	↖
5:	10.3x	↗
6:	10.1	↘
7:	10.2x	↗
8:	10.5x	↗
9:	10.3x	↗
10:	10.3x	↗

Series	100.2
	200.5



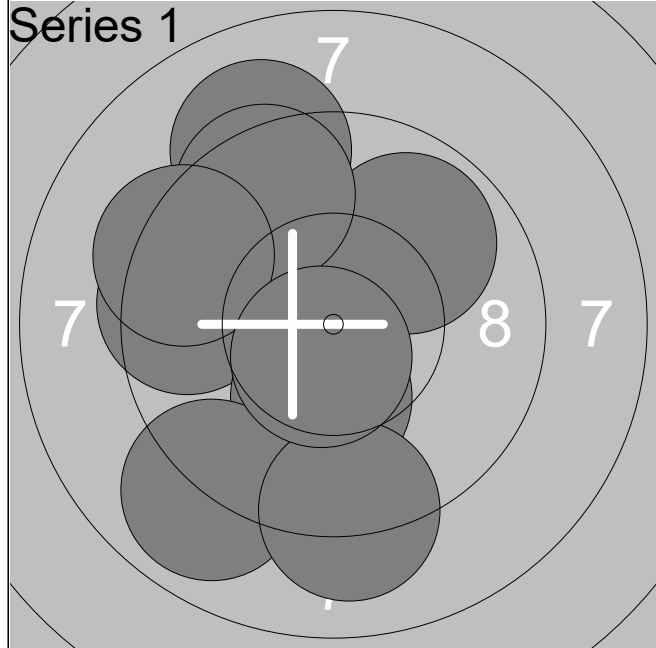
1:	10.0	↘
2:	10.1	↘
3:	10.6x	➔
4:	10.9x	↗
5:	9.7	↗
6:	10.4x	↗
7:	9.4	➔
8:	9.9	↖
9:	8.7	↖
10:	10.5x	➔

Series	100.2
	300.7

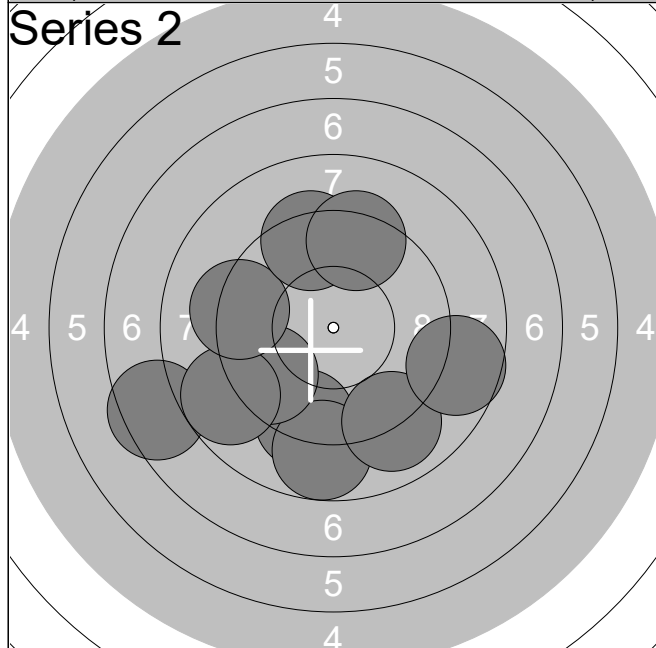
Relay 1	Lane 25	Ross Donaldson		
-------------------	-------------------	-----------------------	--	--

Mix Team Rifle Qual	INT 1	M	R
---------------------	-------	---	---

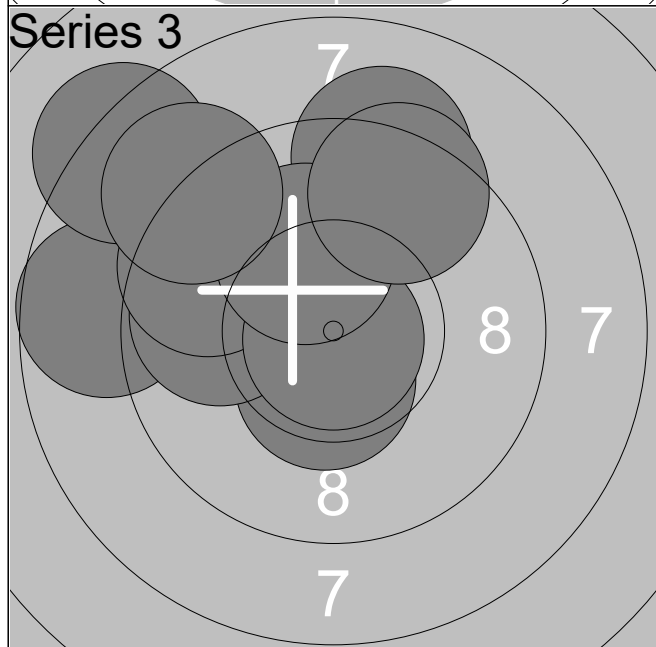
11.02.2026	Denmark Open Air 2026	Denmark Open Air 2026
------------	-----------------------	-----------------------



1:	9.1	↗
2:	10.3x	↗
3:	9.9	↗
4:	9.5	↖
5:	9.5	↗
6:	10.2x	↓
7:	9.3	↖
8:	8.9	↘
9:	9.1	↓
10:	10.6x	↓
Series		96.4
		96.4



1:	9.2	↓
2:	7.5	↖
3:	8.8	↓
4:	9.5	↖
5:	9.0	↘
6:	8.8	↖
7:	9.2	↖
8:	9.3	↗
9:	8.7	→
10:	9.3	↗
Series		89.3
		185.7

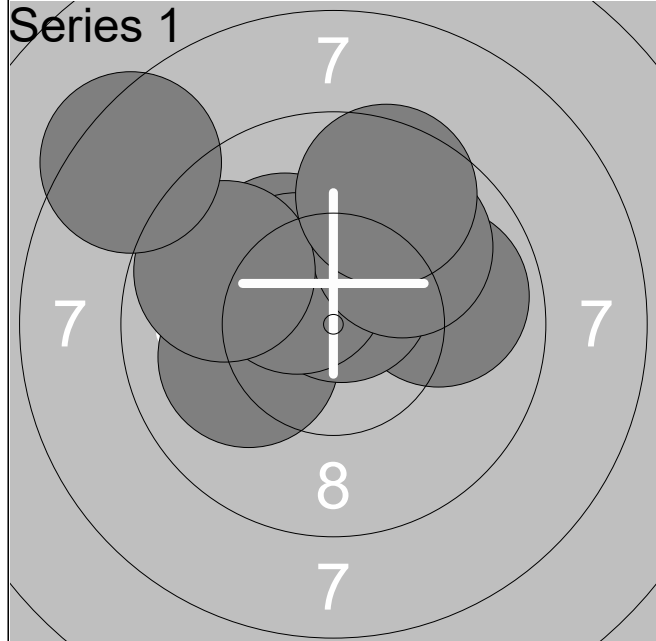


1:	8.7	↖
2:	10.5x	↓
3:	9.8	↖
4:	9.6	↖
5:	9.2	↗
6:	10.9x	↓
7:	8.2	↗
8:	10.2x	↗
9:	9.0	↗
10:	9.5	↗
Series		95.6
		281.3

Relay 1	Lane 26	Anna Olesen
-------------------	-------------------	--------------------

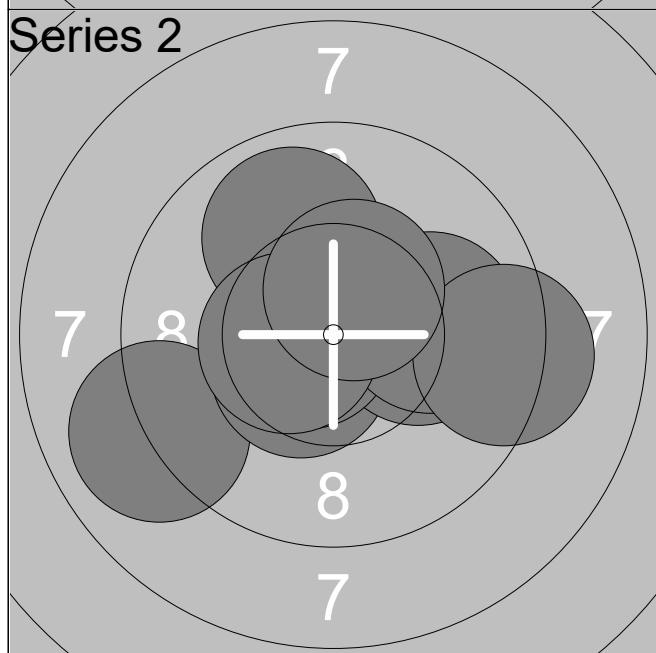
Mix Team Rifle Qual	DEN 7	W	R
---------------------	-------	---	---

11.02.2026	Denmark Open Air 2026	Denmark Open Air 2026
------------	-----------------------	-----------------------



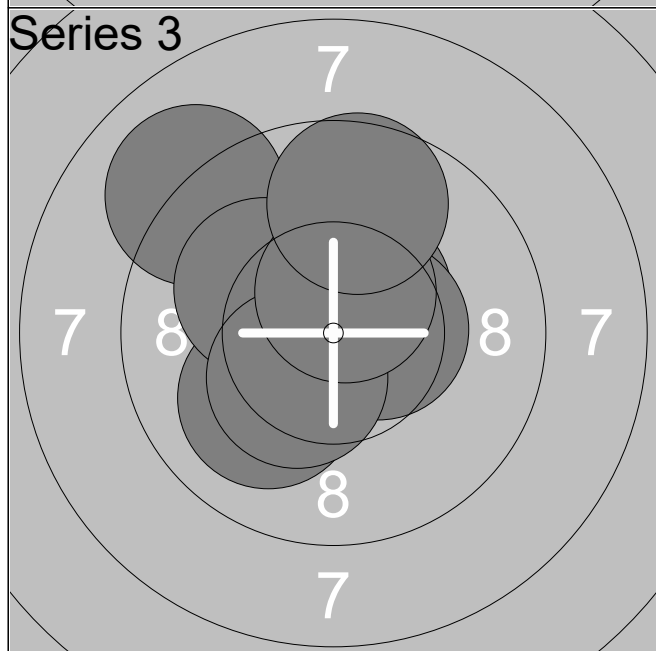
1:	10.2x	↗
2:	10.1	↖
3:	9.9	→
4:	10.6x	↑
5:	10.2x	↖
6:	10.4x	↖
7:	9.9	↗
8:	9.8	↖
9:	9.6	↑
10:	8.4	↖

Series	99.1
	99.1



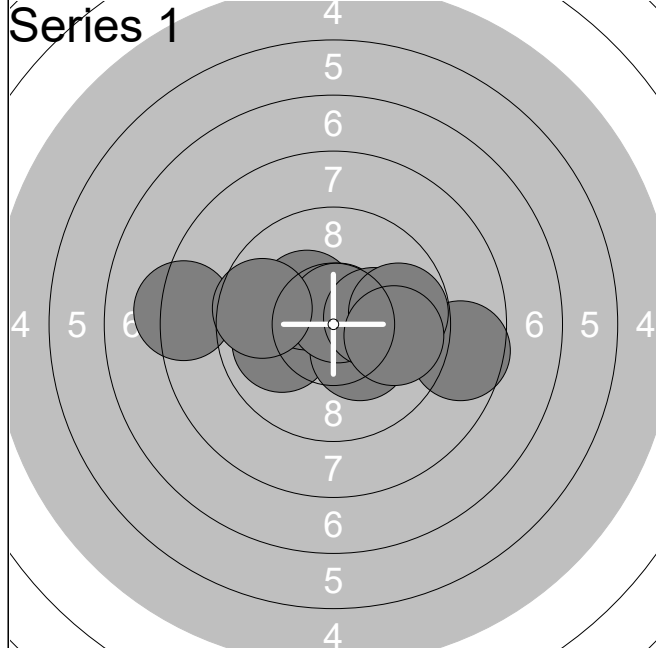
1:	9.0	↖
2:	10.5x	↖
3:	10.5x	↑
4:	10.1	→
5:	10.7x	↖
6:	9.9	↑
7:	10.0	→
8:	10.5x	↖
9:	9.3	→
10:	10.5x	↑

Series	101.0
	200.1



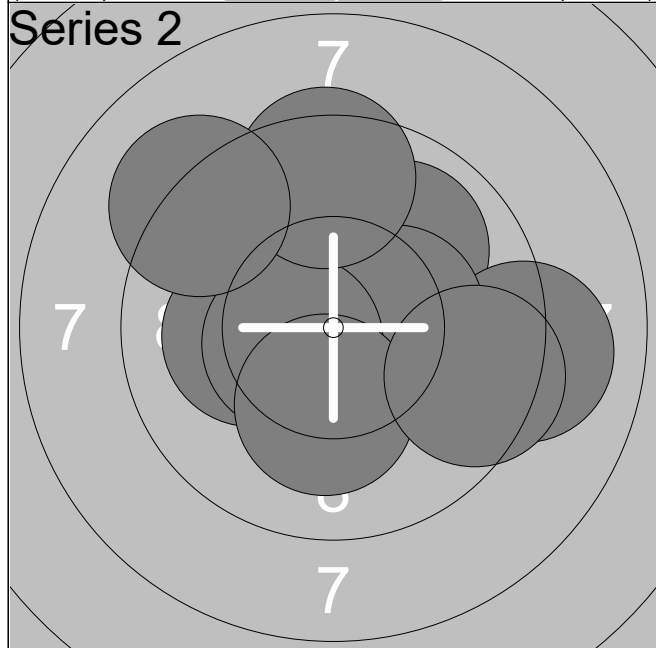
1:	9.0	↖
2:	10.5x	↗
3:	10.0	↖
4:	10.3x	↖
5:	10.6x	↖
6:	10.5x	→
7:	10.1	↖
8:	10.4x	↖
9:	10.5x	↑
10:	9.7	↑

Series	101.6
	301.7



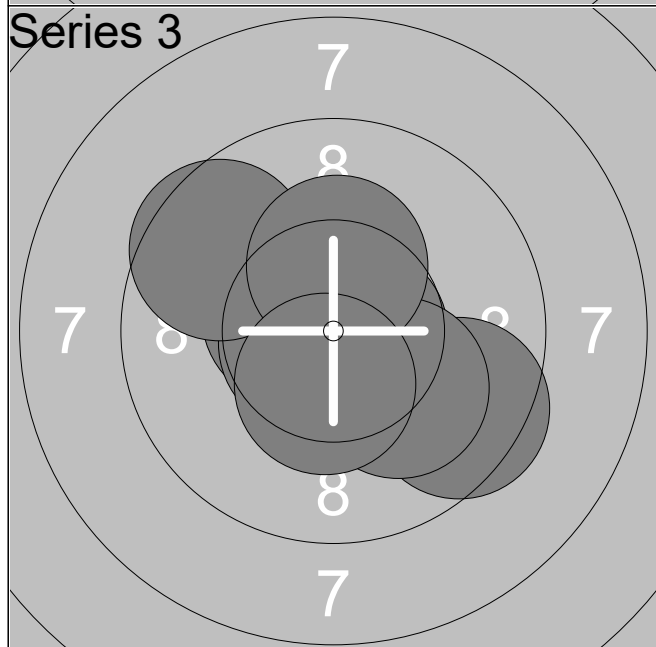
1:	10.0	←
2:	10.3x	↗
3:	8.6	→
4:	10.3x	↘
5:	10.7x	↑
6:	10.2x	→
7:	8.3	←
8:	9.8	→
9:	9.9	→
10:	9.6	←

Series	97.7
	97.7



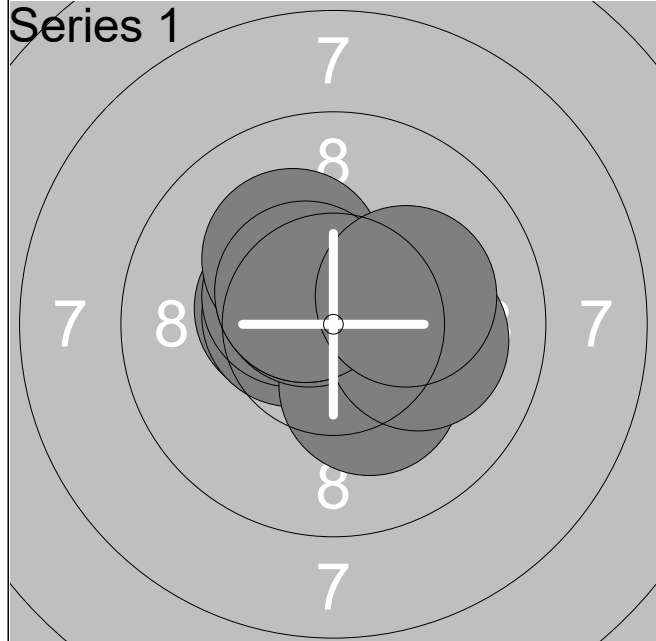
1:	10.2x	←
2:	10.0	↗
3:	9.1	→
4:	10.7x	←
5:	10.3x	→
6:	10.5x	←
7:	9.5	↑
8:	10.2x	↓
9:	9.2	↗
10:	9.5	→

Series	99.2
	196.9



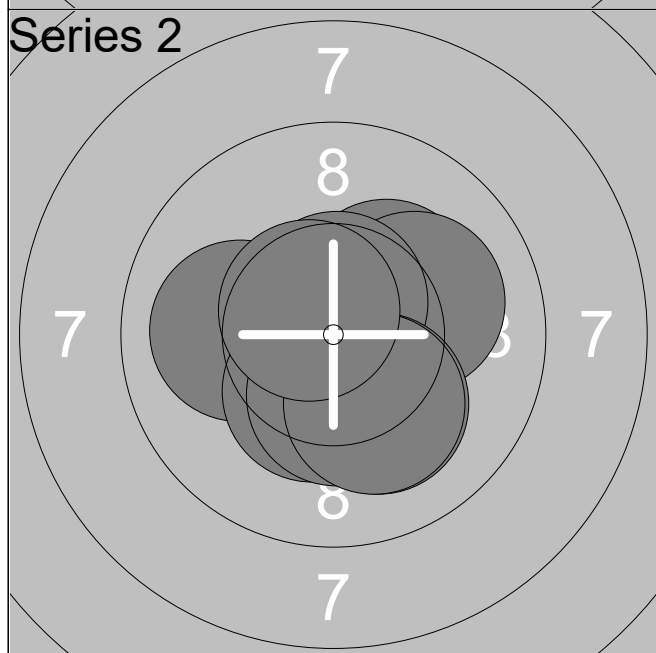
1:	10.7x	→
2:	10.5x	←
3:	10.8x	↑
4:	9.5	↘
5:	10.9x	
6:	10.7x	←
7:	10.1	↘
8:	9.6	↗
9:	10.3x	↑
10:	10.4x	↓

Series	103.5
	300.4



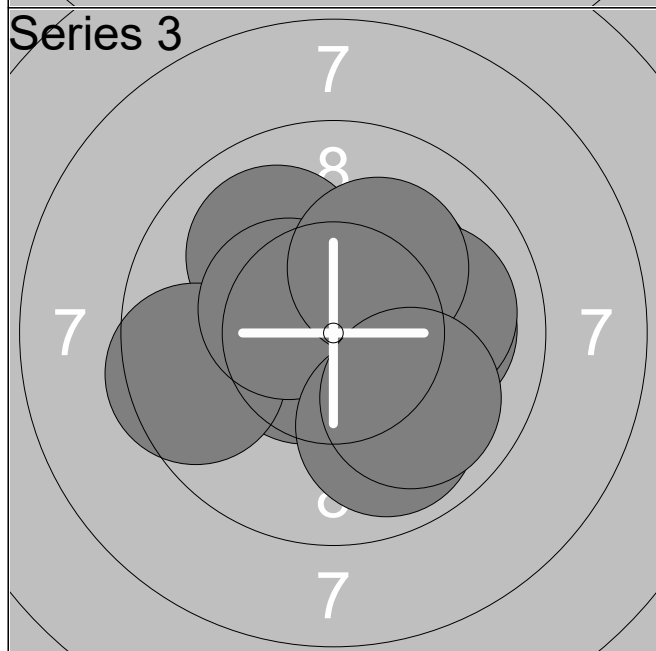
1:	10.5x	↖
2:	10.5x	↖
3:	10.5x	↗
4:	10.2x	↘
5:	10.6x	↗
6:	10.5x	↗
7:	10.2x	↗
8:	10.1	↘
9:	10.5x	↗
10:	10.2x	↗

Series	103.8
	103.8



1:	10.2x	↗
2:	10.0	↖
3:	10.3x	↗
4:	10.1	↗
5:	10.6x	↑
6:	10.1	↘
7:	10.4x	↘
8:	10.3x	↘
9:	10.2x	↘
10:	10.6x	↗

Series	102.8
	206.6



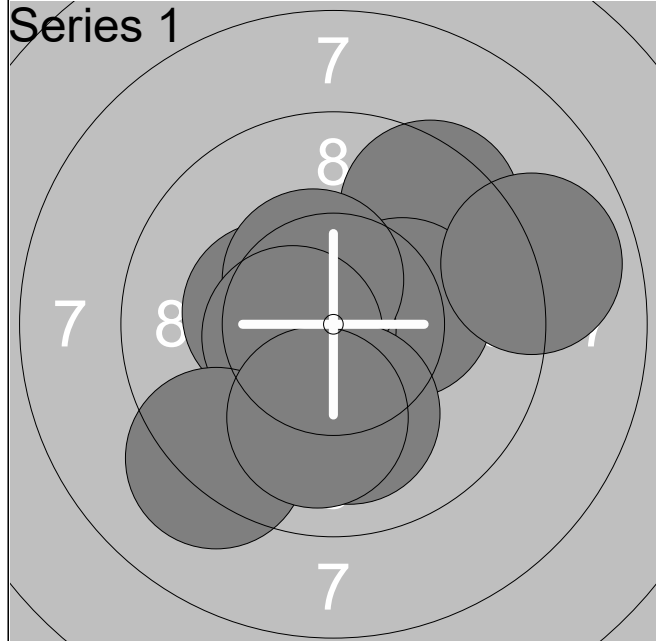
1:	10.0	↗
2:	10.6x	↖
3:	10.0	↗
4:	10.2x	↗
5:	10.0	↗
6:	9.5	↖
7:	10.5x	↖
8:	10.2x	↗
9:	9.9	↘
10:	10.0	↘

Series	100.9
	307.5

Relay 1	Lane 29	Jonas Andersen		
-------------------	-------------------	-----------------------	--	--

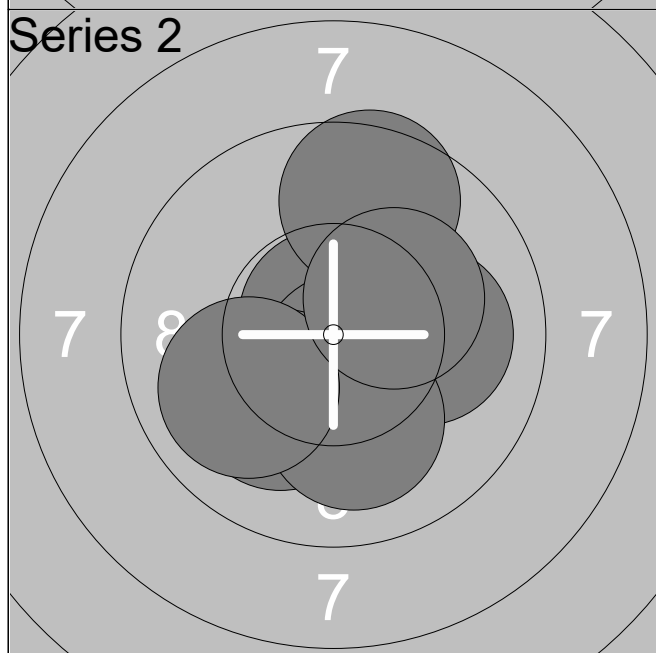
Mix Team Rifle Qual	INT 2	M	R
---------------------	-------	---	---

11.02.2026	Denmark Open Air 2026	Denmark Open Air 2026
------------	-----------------------	-----------------------



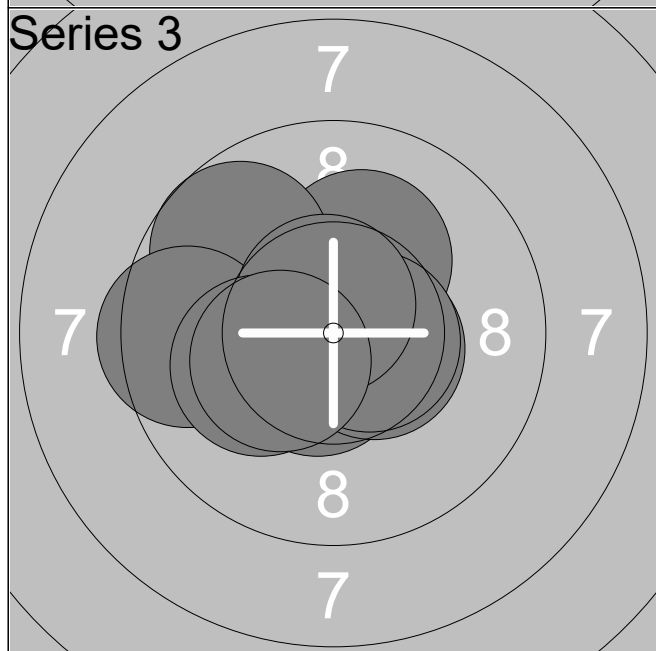
1:	9.5	↗
2:	10.3x	→
3:	10.3x	←
4:	10.7x	←
5:	10.5x	↑
6:	10.5x	←
7:	9.2	↙
8:	10.1	↓
9:	10.0	↓
10:	8.9	→

Series	100.0
	100.0



1:	10.6x	→
2:	10.8x	↑
3:	10.2x	↓
4:	10.6x	↓
5:	10.1	→
6:	10.1	↙
7:	9.6	↑
8:	10.1	↓
9:	9.9	←
10:	10.3x	↗

Series	102.3
	202.3



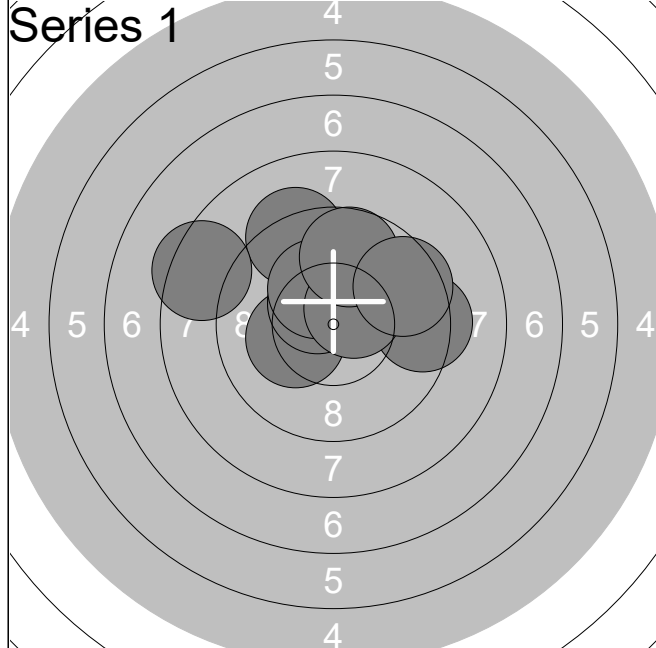
1:	10.2x	↑
2:	9.7	↖
3:	10.6x	↓
4:	9.5	←
5:	10.8x	→
6:	10.5x	→
7:	10.6x	→
8:	10.7x	↑
9:	10.1	←
10:	10.4x	←

Series	103.1
	305.4

Relay 1	Lane 30	Ida Romvig Bukbjerg		
-------------------	-------------------	----------------------------	--	--

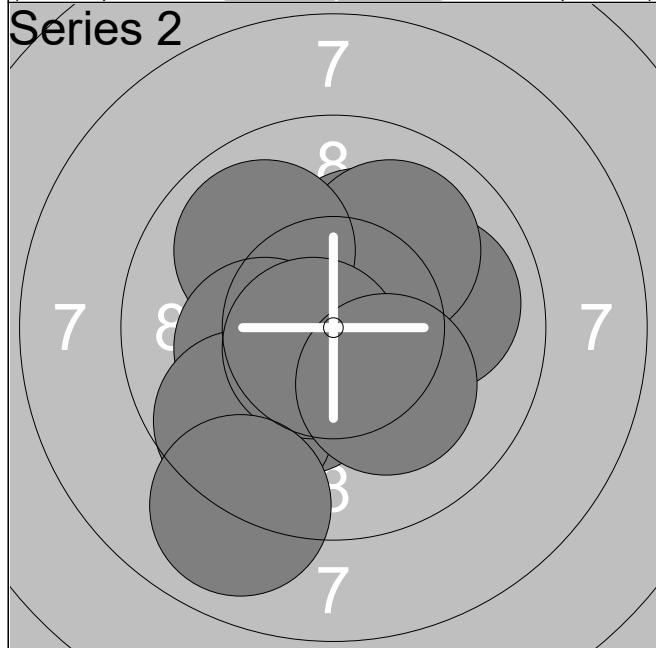
Mix Team Rifle Qual	DEN 6	WJ	R
---------------------	-------	----	---

11.02.2026	Denmark Open Air 2026	Denmark Open Air 2026
------------	-----------------------	-----------------------



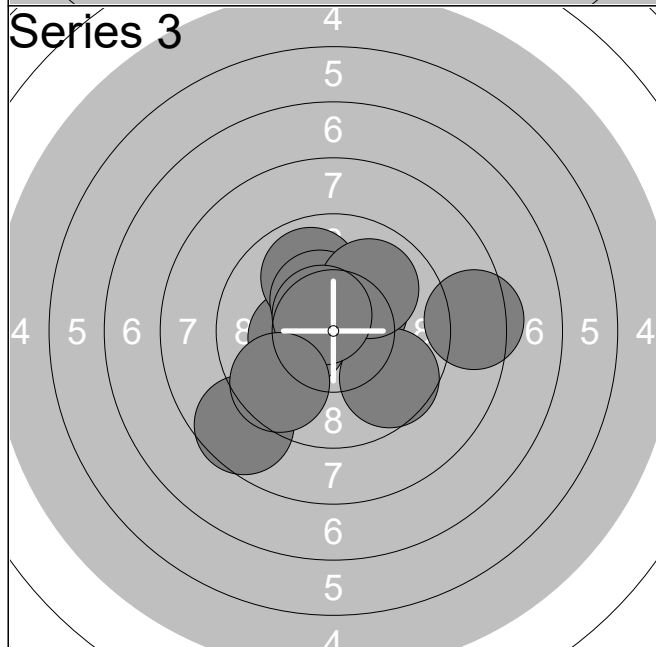
1:	9.4	→
2:	9.2	↑
3:	10.2x	←
4:	8.4	↖
5:	10.5x	↑
6:	10.5x	↑
7:	10.2x	↑
8:	10.5x	↗
9:	9.7	↑
10:	9.6	↗

Series	98.2
	98.2



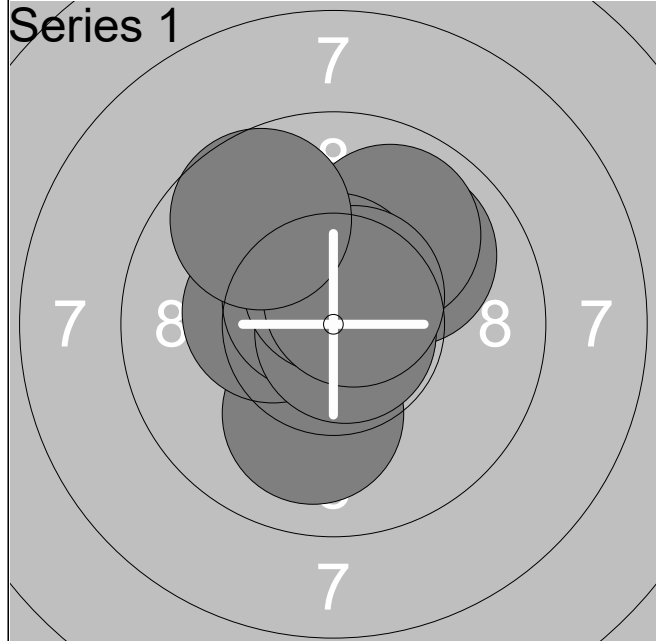
1:	10.2x	↑
2:	10.0	→
3:	10.0	↗
4:	10.3x	↘
5:	9.9	↖
6:	10.2x	←
7:	9.7	↘
8:	10.7x	↘
9:	10.2x	↘
10:	9.0	↘

Series	100.2
	198.4



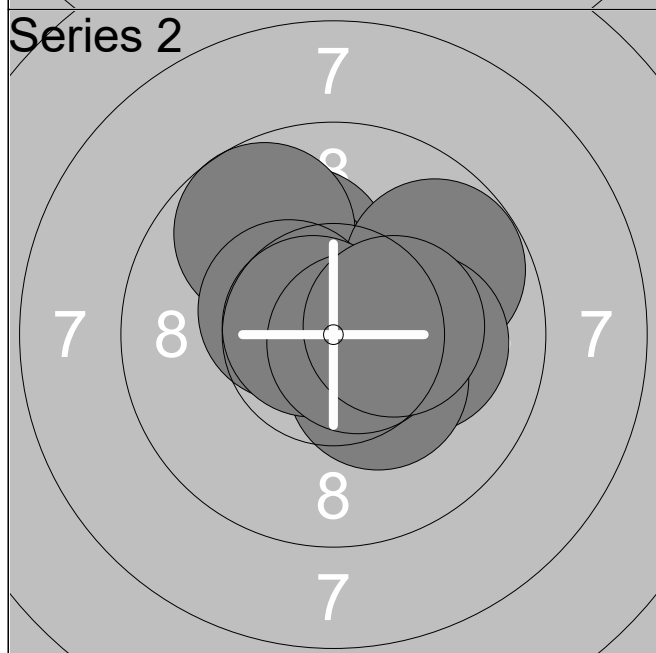
1:	10.4x	↗
2:	10.3x	←
3:	8.6	↘
4:	9.9	↑
5:	9.6	↘
6:	10.3x	↑
7:	10.0	↗
8:	10.6x	↑
9:	8.4	→
10:	9.6	↘

Series	97.7
	296.1



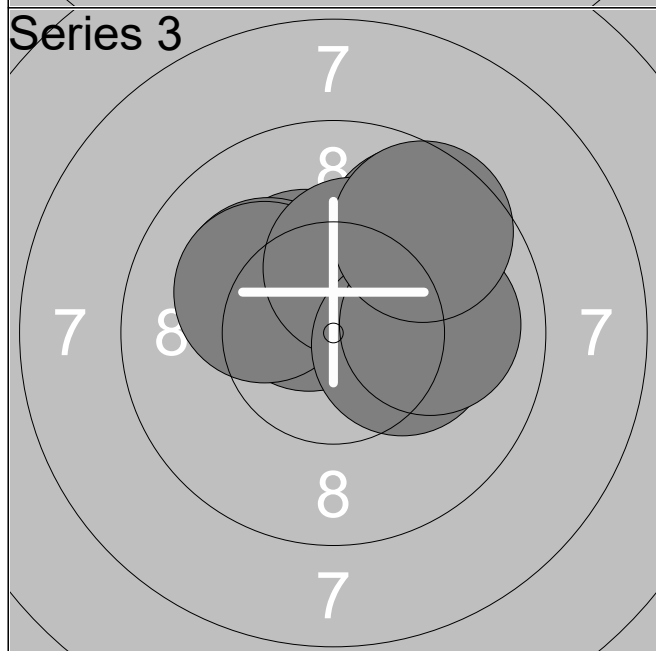
1:	10.6x	↙
2:	10.0	↓
3:	10.4x	←
4:	10.0	↗
5:	9.9	↗
6:	10.6x	↗
7:	10.8x	↘
8:	10.5x	↑
9:	10.6x	↗
10:	9.7	↗

Series	103.1
	103.1



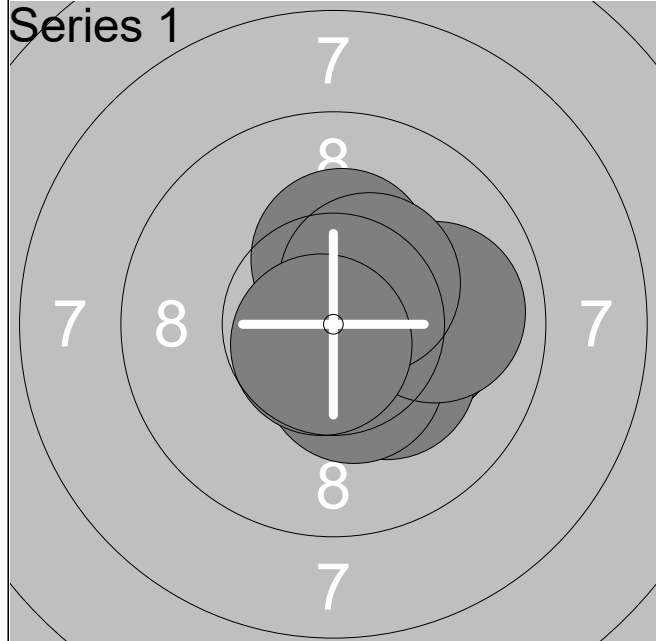
1:	10.1	↗
2:	10.4x	↗
3:	9.7	↗
4:	9.8	↗
5:	10.1	→
6:	10.4x	↗
7:	10.3x	↘
8:	10.8x	↖
9:	10.7x	↘
10:	10.3x	→

Series	102.6
	205.7



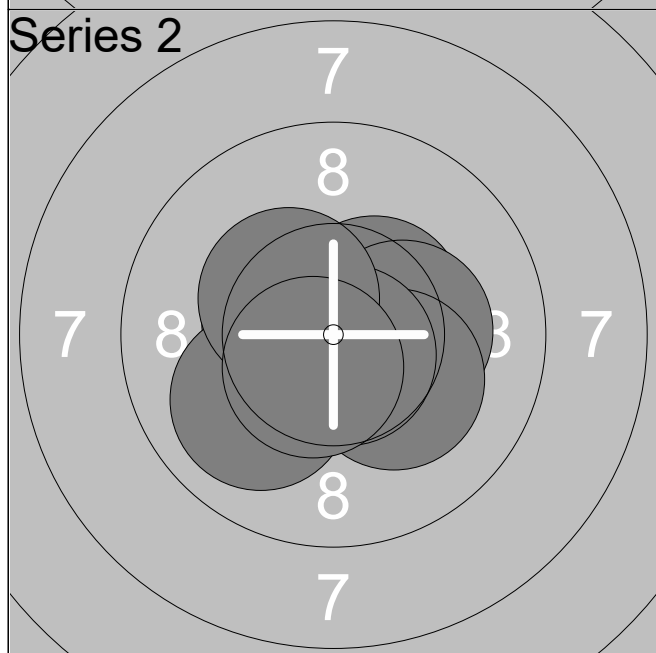
1:	10.4x	↗
2:	10.2x	↖
3:	10.3x	→
4:	9.7	↗
5:	10.5x	↗
6:	10.2x	↖
7:	10.3x	↑
8:	10.3x	→
9:	10.0	→
10:	9.6	↗

Series	101.5
	307.2



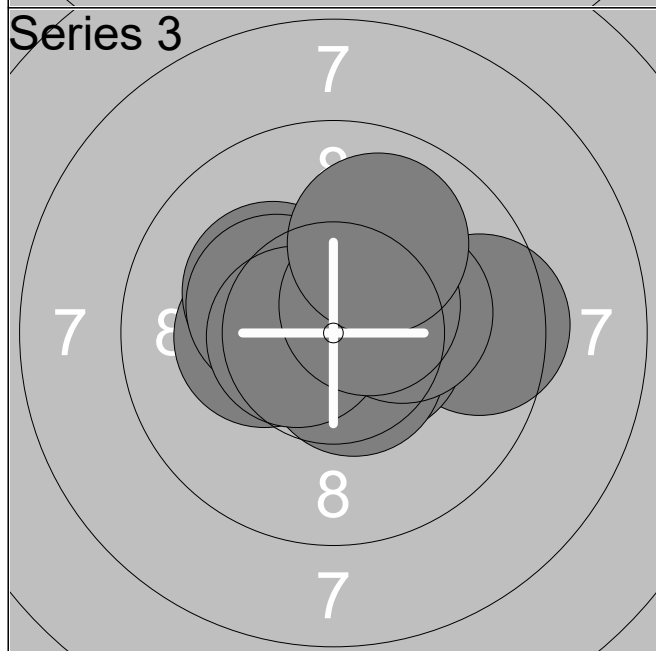
1:	10.2x	→
2:	10.2x	→
3:	10.3x	↘
4:	10.4x	↘
5:	10.9x	↗
6:	10.8x	↗
7:	10.3x	↑
8:	9.9	→
9:	10.4x	↗
10:	10.7x	↘

Series	104.1
	104.1



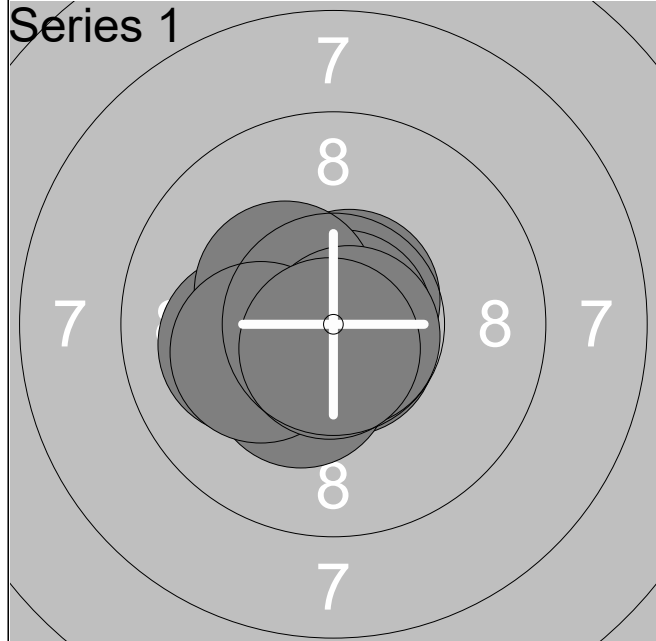
1:	10.5x	↗
2:	10.6x	←
3:	10.6x	←
4:	10.5x	←
5:	10.3x	→
6:	10.2x	↘
7:	10.7x	↘
8:	10.0	↙
9:	10.4x	↗
10:	10.6x	↘

Series	104.4
	208.5



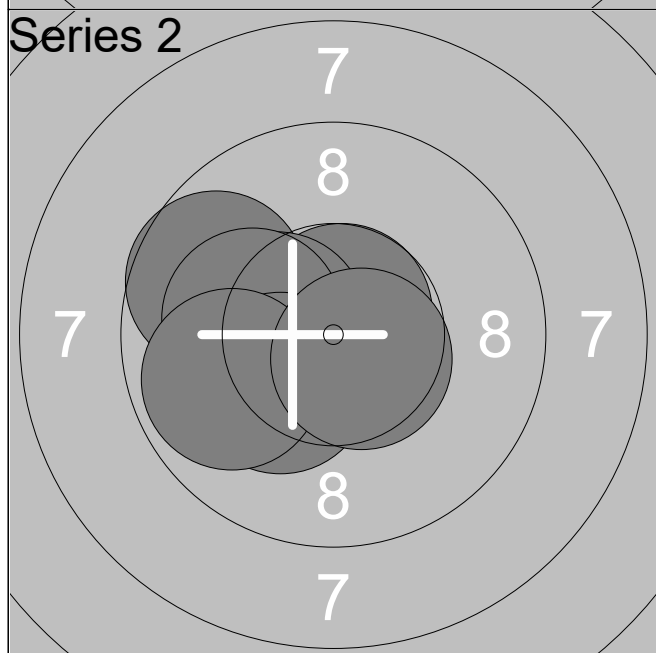
1:	9.5	→
2:	10.5x	→
3:	10.6x	↘
4:	10.3x	←
5:	10.2x	↗
6:	10.3x	↖
7:	10.6x	←
8:	10.3x	→
9:	10.5x	↗
10:	10.0	↑

Series	102.8
	311.3



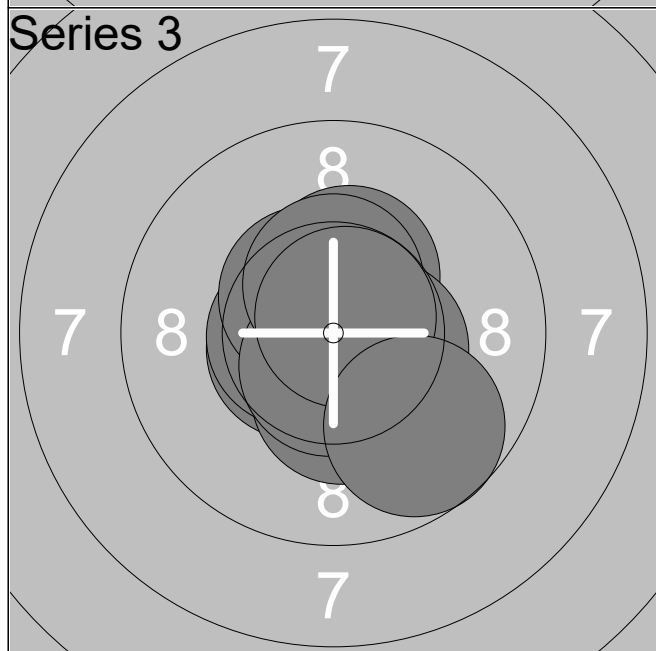
1:	10.7x	↘
2:	10.6x	←
3:	10.3x	↙
4:	10.6x	↗
5:	10.9x	↘
6:	10.1	←
7:	10.4x	↖
8:	10.2x	←
9:	10.7x	↘
10:	10.7x	↓

Series	105.2
	105.2



1:	10.6x	←
2:	10.8x	↘
3:	9.7	↖
4:	10.8x	↗
5:	10.7x	↗
6:	10.4x	←
7:	10.1	←
8:	10.3x	↙
9:	9.8	←
10:	10.6x	↘

Series	103.8
	209.0



1:	10.6x	←
2:	10.4x	↗
3:	10.4x	↓
4:	10.5x	↘
5:	10.6x	←
6:	10.5x	↗
7:	10.6x	↓
8:	10.5x	↑
9:	10.7x	↗
10:	9.7	↘

Series	104.5
	313.5