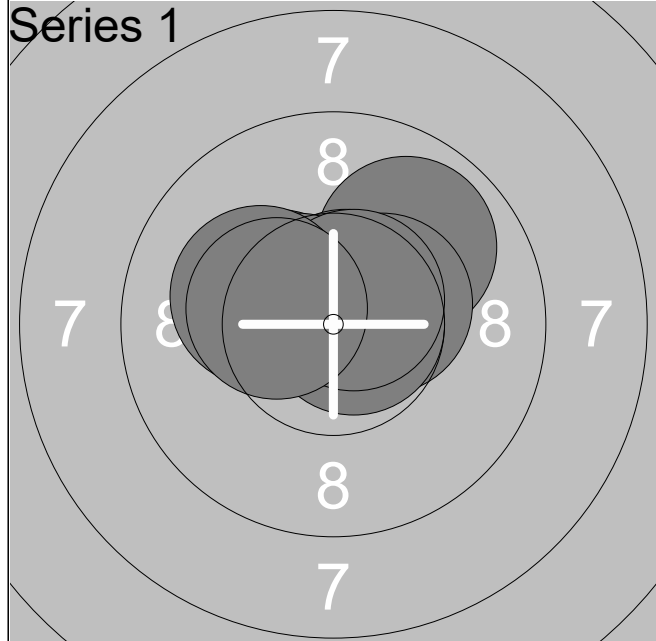


Relay <b>1</b>	Lane <b>4</b>	<b>Amanda Karlsson</b>
-------------------	------------------	------------------------

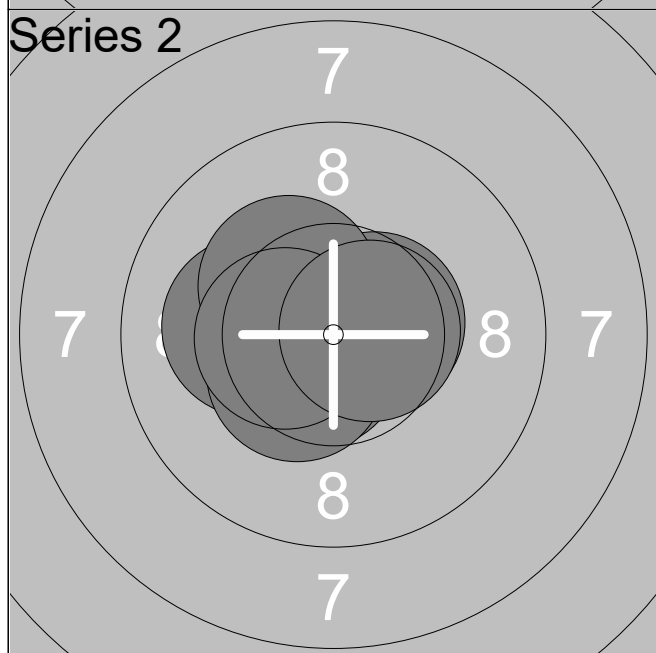
Mix Team Rifle Qual	SWE 1	W	R
---------------------	-------	---	---

11.02.2026	Denmark Open Air 2026	Denmark Open Air 2026
------------	-----------------------	-----------------------



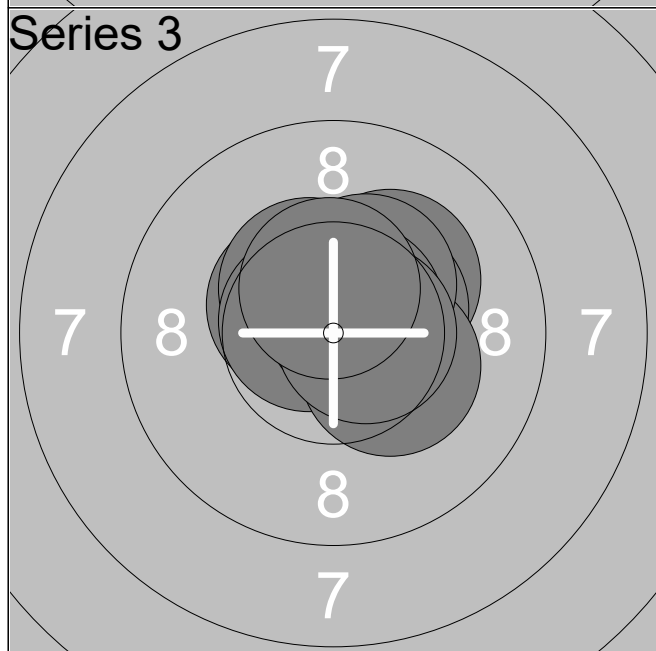
1:	10.4x	↖
2:	9.9	↗
3:	10.8x	↗
4:	10.7x	↗
5:	10.4x	↗
6:	10.6x	↖
7:	10.7x	→
8:	10.6x	↗
9:	10.2x	↖
10:	10.4x	↖

Series	99 ( 9x)
	99 ( 9x)



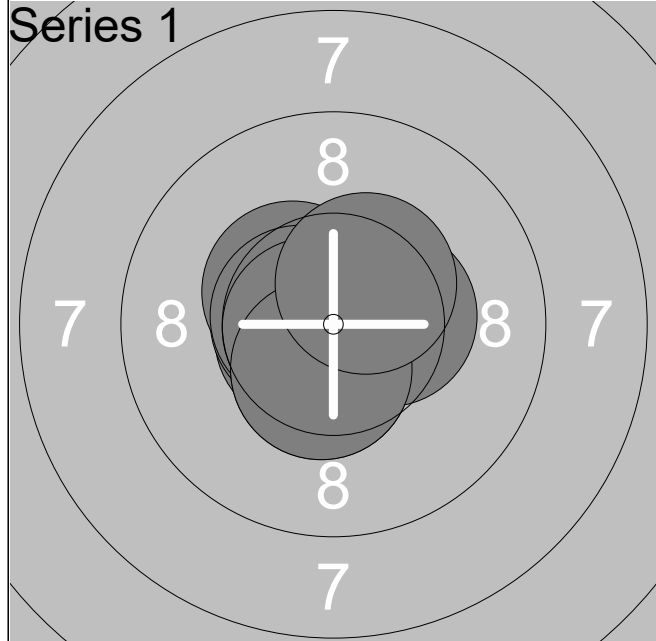
1:	10.4x	←
2:	10.5x	→
3:	10.6x	↙
4:	10.7x	→
5:	10.7x	↙
6:	10.1	←
7:	10.4x	↙
8:	10.3x	↗
9:	10.5x	←
10:	10.6x	→

Series	100 ( 9x)
	199 (18x)

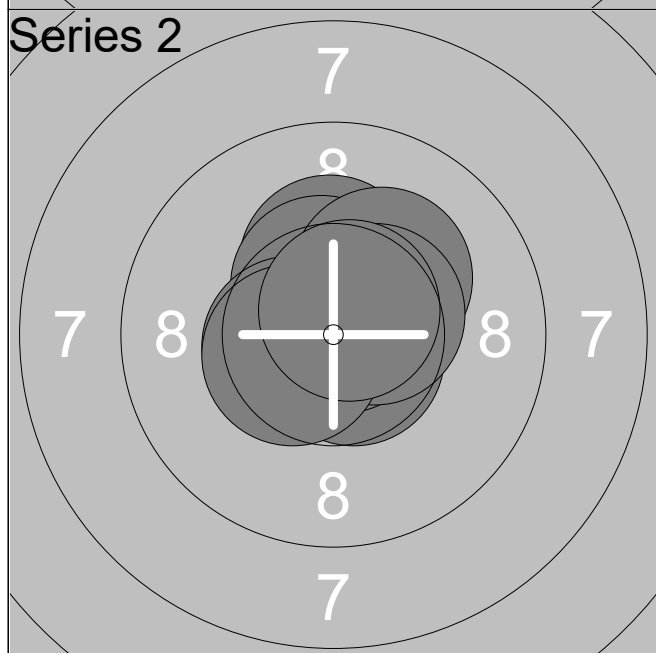


1:	10.5x	↖
2:	10.5x	↗
3:	10.7x	↖
4:	10.2x	↗
5:	10.5x	↗
6:	10.3x	↘
7:	10.4x	↗
8:	10.7x	↗
9:	10.6x	→
10:	10.5x	↑

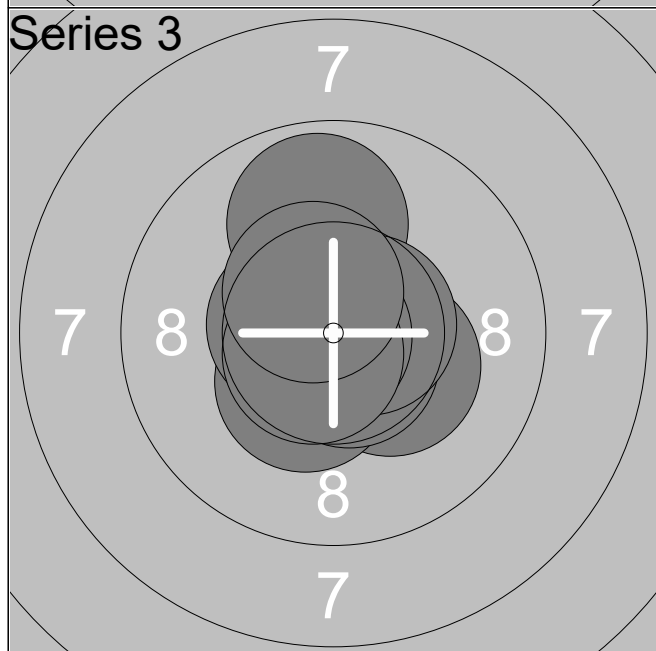
Series	100 (10x)
	299 (28x)



1:	10.6x	←
2:	10.6x	←
3:	10.5x	↓
4:	10.4x	↗
5:	10.6x	←
6:	10.7x	↙
7:	10.4x	→
8:	10.7x	←
9:	10.5x	↓
10:	10.4x	↗
<b>Series</b>		<b>100 (10x)</b>
		<b>100 (10x)</b>



1:	10.7x	←
2:	10.7x	↘
3:	10.3x	↑
4:	10.5x	↑
5:	10.5x	←
6:	10.8x	↗
7:	10.2x	↗
8:	10.5x	↗
9:	10.5x	←
10:	10.7x	↗
<b>Series</b>		<b>100 (10x)</b>
		<b>200 (20x)</b>

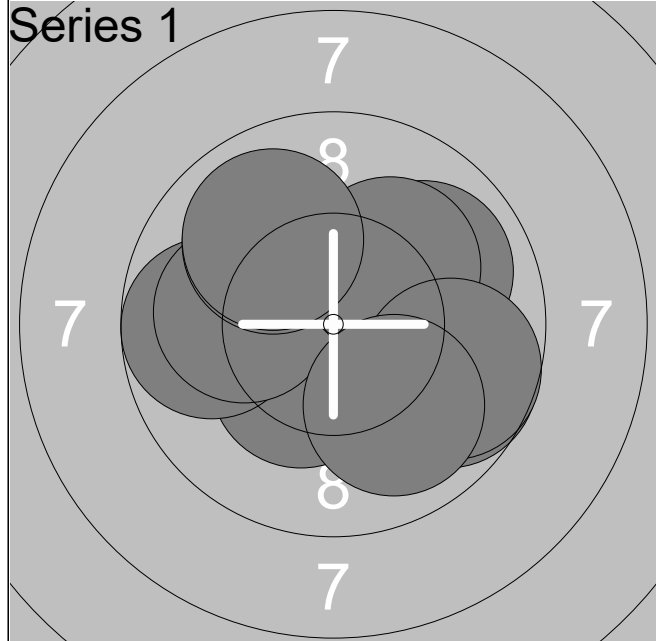


1:	10.3x	↘
2:	10.9x	↘
3:	10.4x	↘
4:	10.6x	↘
5:	9.9	↑
6:	10.6x	→
7:	10.6x	←
8:	10.8x	←
9:	10.7x	↙
10:	10.5x	↗
<b>Series</b>		<b>99 ( 9x)</b>
		<b>299 (29x)</b>

Relay <b>1</b>	Lane <b>6</b>	<b>Annabelle Borved</b>
-------------------	------------------	-------------------------

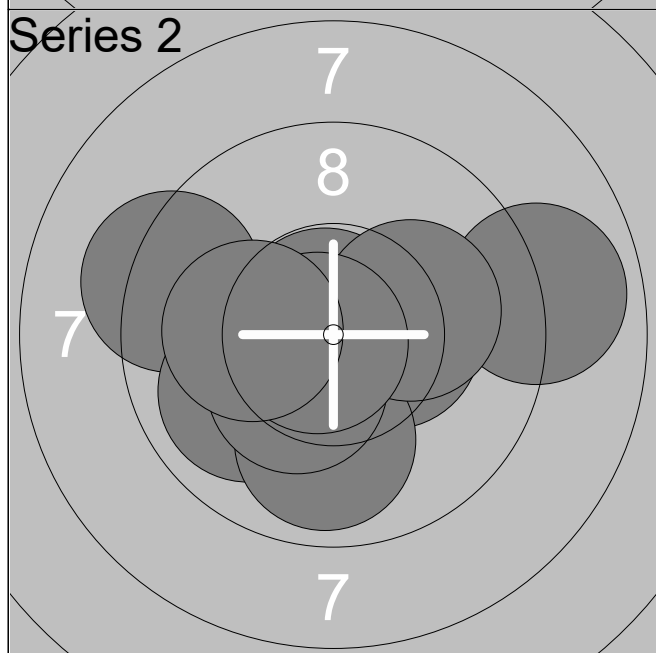
Mix Team Rifle Qual	DEN 1	WJ	R
---------------------	-------	----	---

11.02.2026	Denmark Open Air 2026	Denmark Open Air 2026
------------	-----------------------	-----------------------



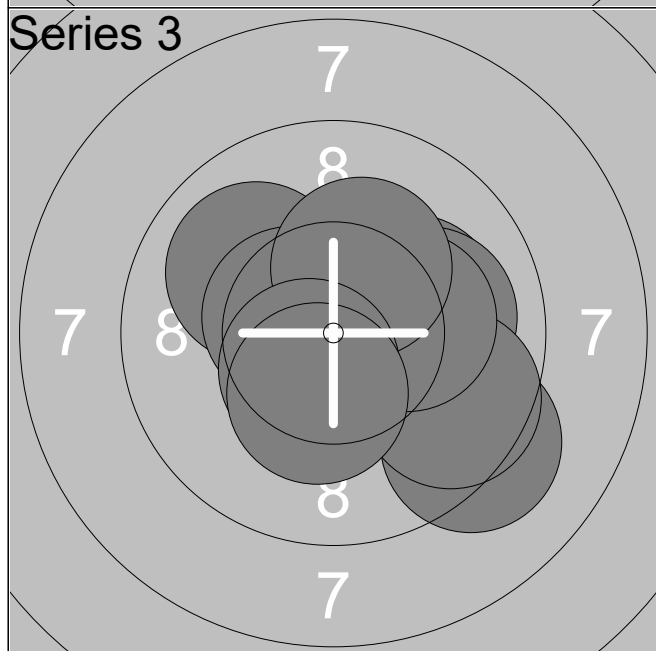
1:	10.3x	↘
2:	9.7	←
3:	10.1	←
4:	9.7	→
5:	9.9	↗
6:	10.0	↗
7:	10.2x	↗
8:	9.7	→
9:	10.0	↘
10:	9.9	↗

Series	95 ( 2x)
	95 ( 2x)



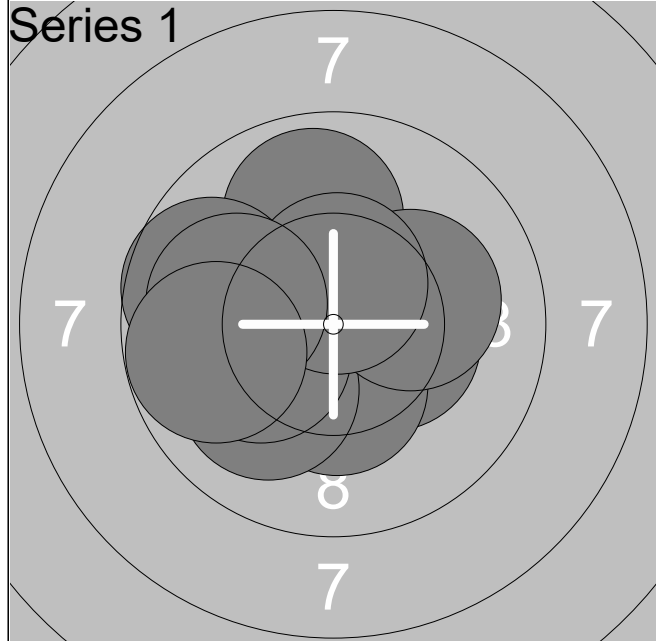
1:	9.3	←
2:	9.9	↙
3:	10.4x	→
4:	8.9	→
5:	9.9	↓
6:	10.8x	↗
7:	10.3x	↘
8:	10.1	→
9:	10.8x	←
10:	10.1	←

Series	95 ( 4x)
	190 ( 6x)



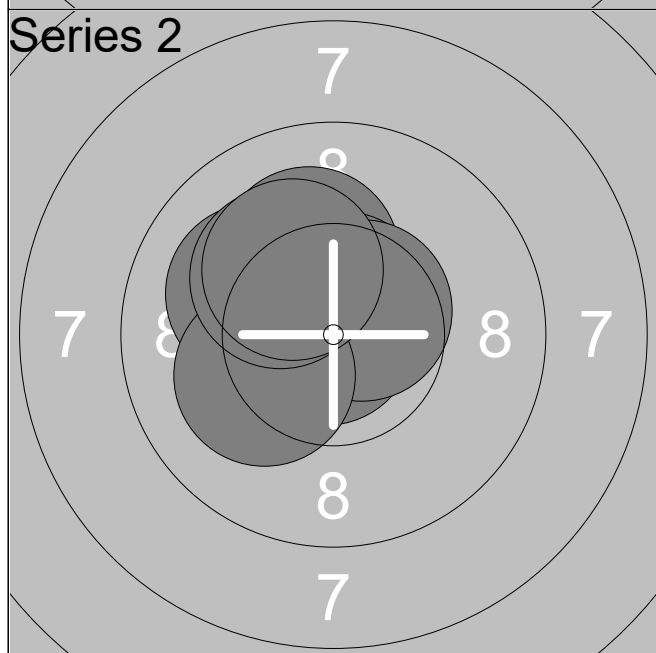
1:	10.0	↗
2:	10.1	→
3:	10.5x	←
4:	9.2	↘
5:	10.0	→
6:	9.7	↘
7:	10.2x	→
8:	10.3x	↗
9:	10.5x	↘
10:	10.3x	↓

Series	98 ( 5x)
	288 (11x)



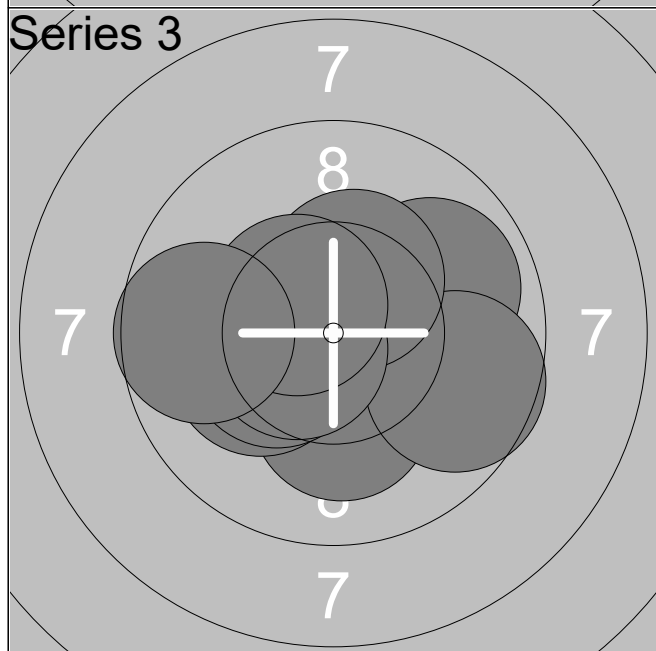
1:	10.4x	→
2:	9.9	↑
3:	10.4x	↓
4:	10.1	↙
5:	10.2x	→
6:	10.2x	←
7:	9.7	←
8:	10.6x	↑
9:	10.0	←
10:	9.8	←

Series 97 ( 5x)  
97 ( 5x)



1:	10.8x	←
2:	10.2x	↑
3:	10.6x	↑
4:	10.4x	←
5:	10.9x	←
6:	10.1	↖
7:	10.6x	↗
8:	10.2x	←
9:	10.2x	↗
10:	10.2x	↗

Series 100 ( 9x)  
197 (14x)



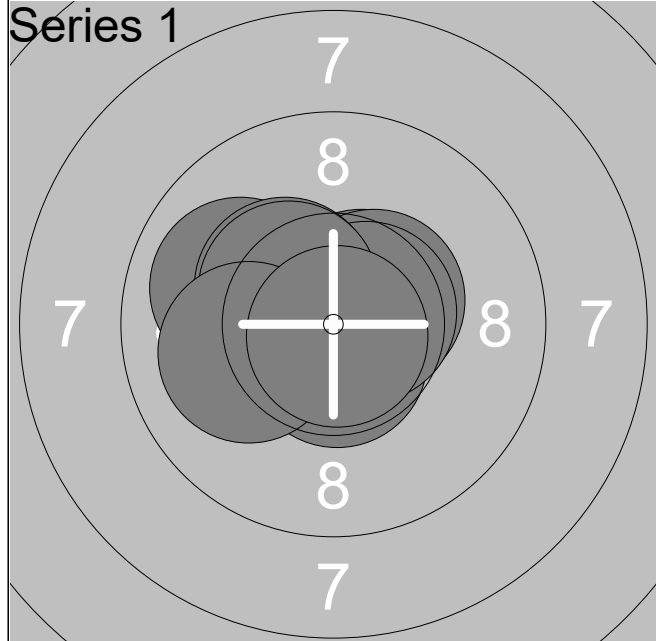
1:	10.5x	↘
2:	10.2x	↓
3:	10.2x	←
4:	9.9	→
5:	9.7	↘
6:	10.4x	↑
7:	10.4x	←
8:	10.6x	←
9:	10.5x	↖
10:	9.7	←

Series 97 ( 7x)  
294 (21x)

Relay <b>1</b>	Lane <b>8</b>	<b>Viivi Kemppe</b>
-------------------	------------------	---------------------

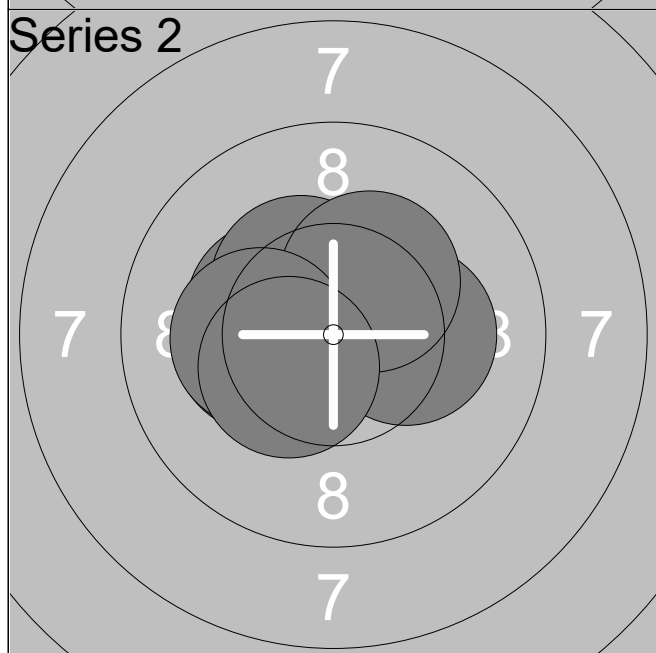
Mix Team Rifle Qual	FIN 2	W	R
---------------------	-------	---	---

11.02.2026	Denmark Open Air 2026	Denmark Open Air 2026
------------	-----------------------	-----------------------



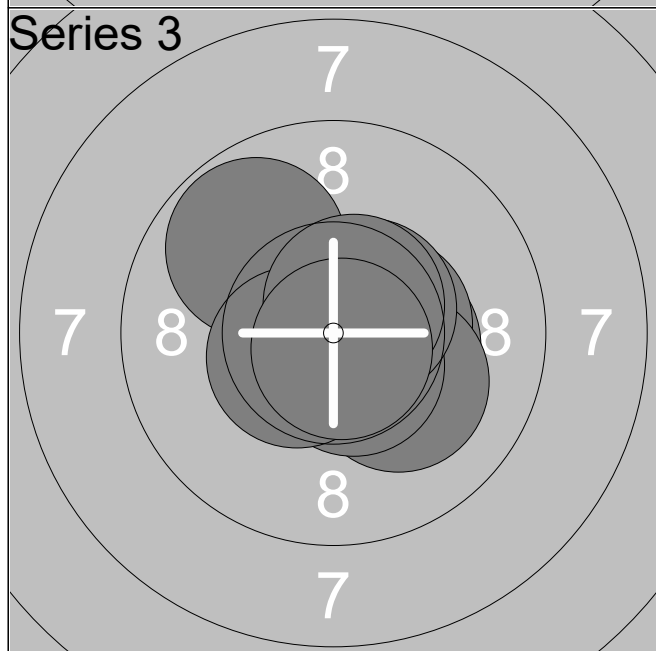
1:	10.6x	↗
2:	10.5x	↗
3:	10.6x	↓
4:	10.5x	←
5:	10.0	↖
6:	10.6x	↗
7:	10.4x	↗
8:	10.4x	↗
9:	10.1	←
10:	10.8x	↓

Series	100 ( 8x)
	100 ( 8x)



1:	10.3x	←
2:	10.3x	↖
3:	10.6x	←
4:	10.7x	↑
5:	10.4x	↗
6:	10.4x	↗
7:	10.2x	→
8:	10.3x	↗
9:	10.2x	←
10:	10.4x	↙

Series	100 (10x)
	200 (18x)



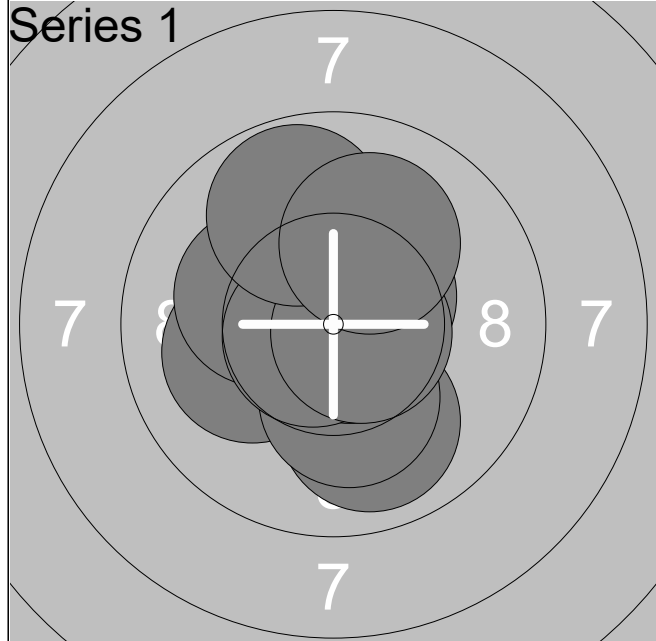
1:	10.8x	↙
2:	10.4x	→
3:	10.5x	→
4:	10.2x	↘
5:	9.8	↗
6:	10.6x	↘
7:	10.5x	←
8:	10.5x	↗
9:	10.6x	↗
10:	10.8x	↓

Series	99 ( 9x)
	299 (27x)

Relay <b>1</b>	Lane <b>9</b>	<b>Cristian Friman</b>
-------------------	------------------	------------------------

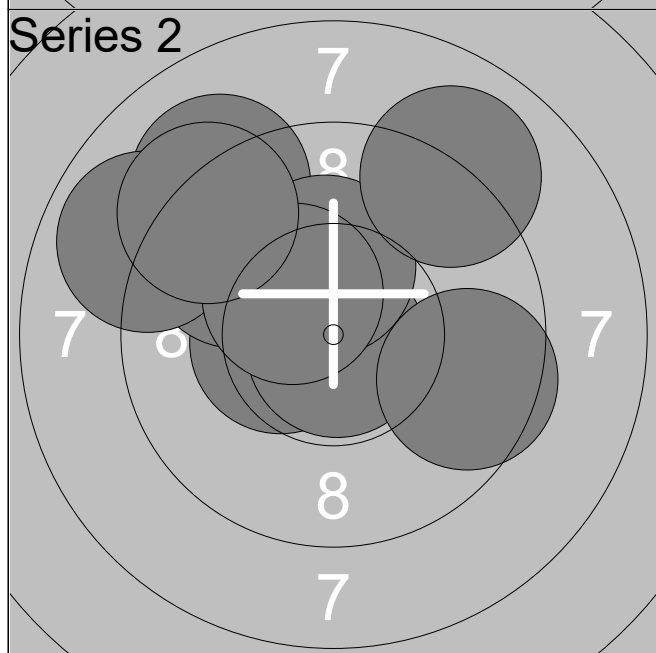
Mix Team Rifle Qual	FIN 2	M	R
---------------------	-------	---	---

11.02.2026	Denmark Open Air 2026	Denmark Open Air 2026
------------	-----------------------	-----------------------



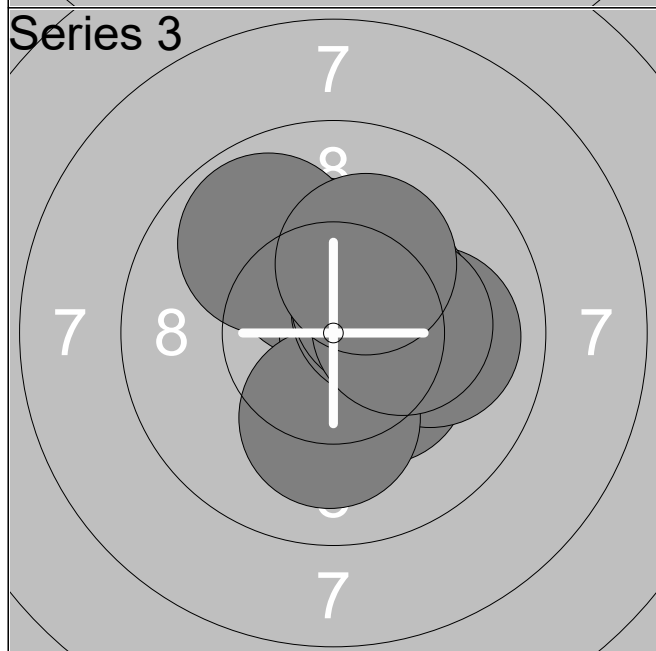
1:	9.9	↓
2:	10.1	←
3:	10.2x	↓
4:	10.2x	↖
5:	10.8x	→
6:	10.7x	←
7:	10.5x	↗
8:	10.7x	→
9:	9.8	↑
10:	10.1	↗

Series	98 ( 6x)
	98 ( 6x)



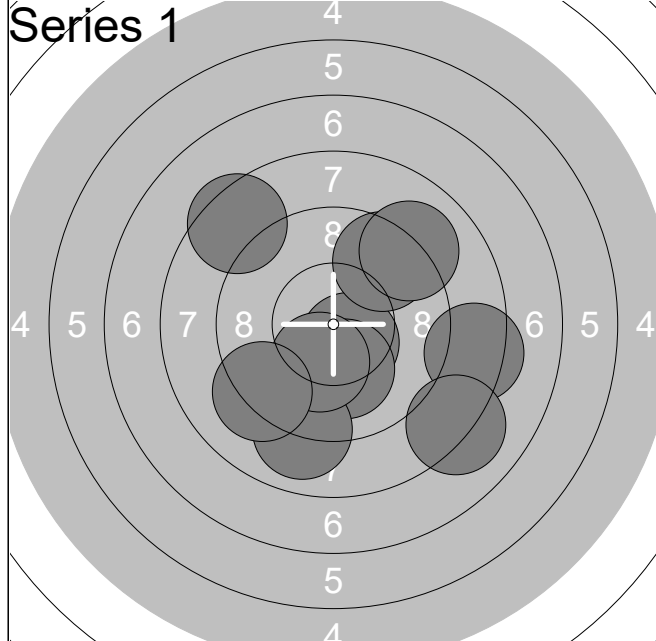
1:	10.4x	←
2:	10.8x	↓
3:	9.7	↗
4:	9.5	→
5:	9.1	↗
6:	10.3x	↑
7:	8.9	↖
8:	10.4x	↗
9:	9.2	↗
10:	9.0	↗

Series	93 ( 4x)
	191 (10x)



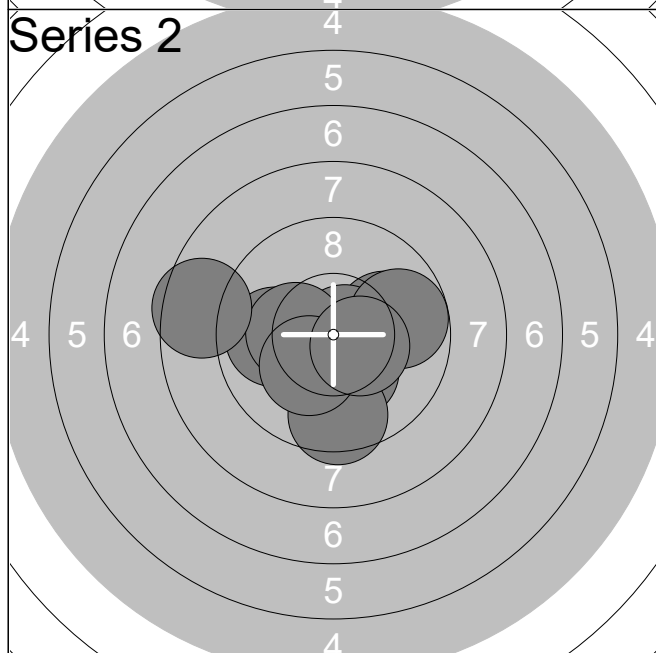
1:	10.4x	↘
2:	10.3x	↑
3:	10.6x	→
4:	10.0	→
5:	10.1	↓
6:	9.9	↗
7:	10.4x	↗
8:	10.4x	↗
9:	10.3x	→
10:	10.2x	↑

Series	99 ( 7x)
	290 (17x)



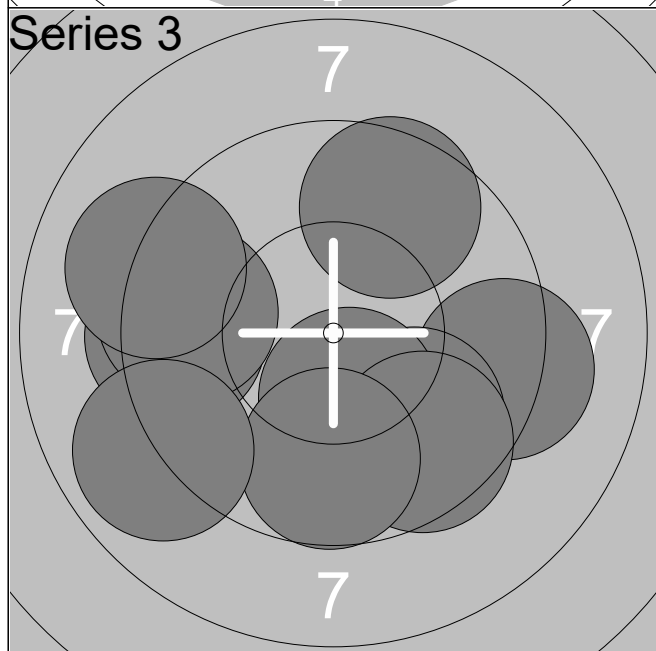
1:	10.5x	↘
2:	9.5	↗
3:	8.5	↗
4:	9.1	↗
5:	8.4	→
6:	10.1	↘
7:	9.0	↘
8:	10.2x	↘
9:	8.1	↘
10:	9.2	↙

Series	90 ( 2x)
90 ( 2x)	



1:	10.0	→
2:	9.9	←
3:	10.8x	→
4:	9.8	→
5:	10.2x	↘
6:	10.3x	←
7:	9.5	↘
8:	10.2x	↘
9:	10.4x	→
10:	8.5	←

Series	95 ( 5x)
185 ( 7x)	



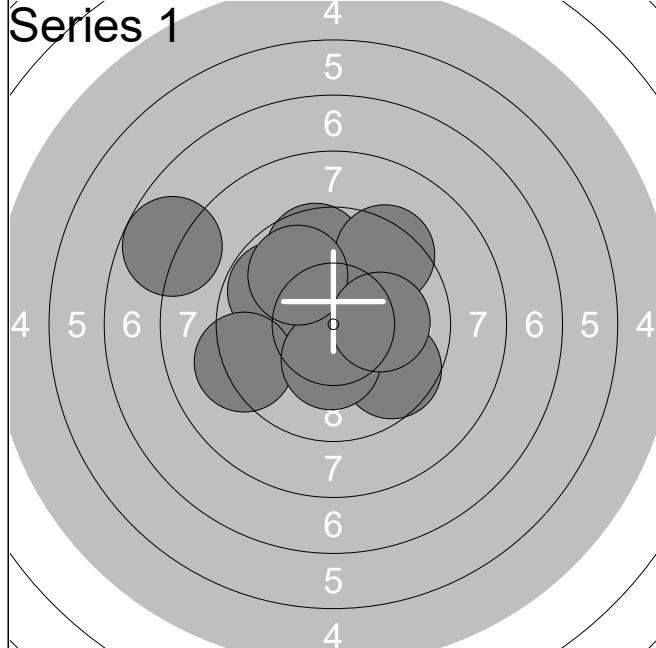
1:	9.6	↗
2:	9.2	→
3:	9.4	←
4:	9.5	←
5:	9.8	↘
6:	10.3x	↘
7:	9.1	←
8:	9.6	↘
9:	9.7	↘
10:	8.9	↙

Series	90 ( 1x)
275 ( 8x)	

Relay <b>1</b>	Lane <b>11</b>	<b>René Andersen</b>
-------------------	-------------------	----------------------

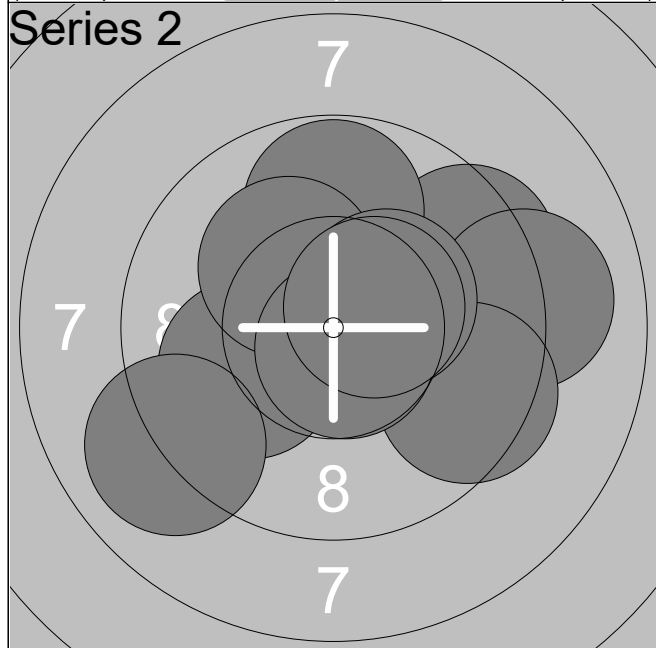
Mix Team Rifle Qual	DEN 2	M	R
---------------------	-------	---	---

11.02.2026	Denmark Open Air 2026	Denmark Open Air 2026
------------	-----------------------	-----------------------



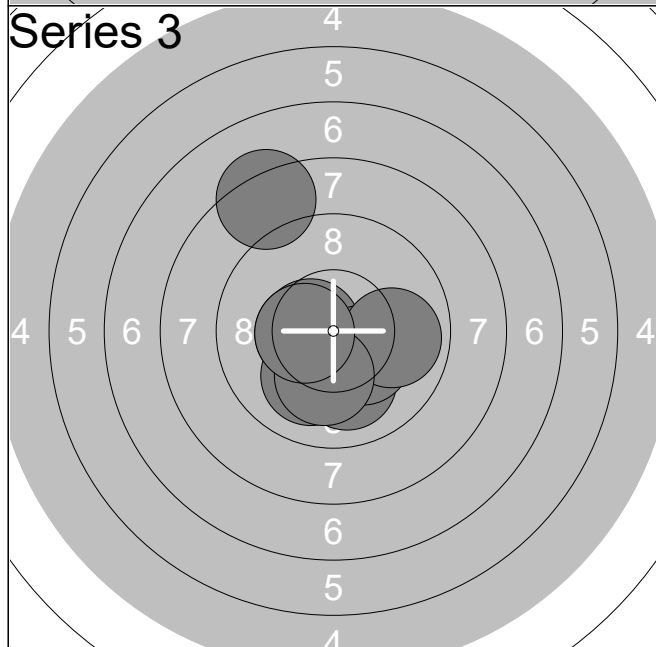
1:	10.1	↗
2:	9.8	↖
3:	9.7	↘
4:	7.7	↖
5:	9.2	↙
6:	10.3x	↓
7:	9.6	↑
8:	9.4	↗
9:	9.9	↗
10:	10.1	→

Series	91 ( 1x)
	91 ( 1x)



1:	9.4	↗
2:	10.0	↖
3:	9.8	↑
4:	9.1	→
5:	9.5	↘
6:	10.2x	↗
7:	9.0	↖
8:	10.4x	↗
9:	10.7x	↘
10:	10.5x	↗

Series	95 ( 4x)
	186 ( 5x)



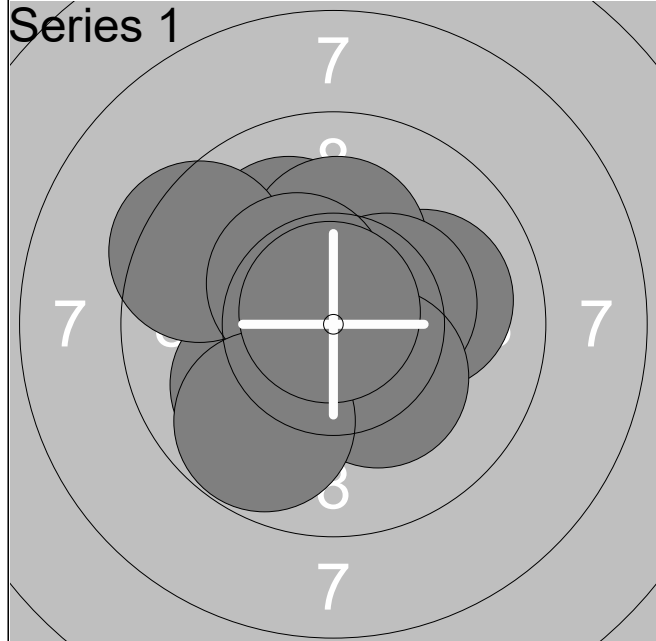
1:	10.5x	↘
2:	10.0	↓
3:	10.4x	↖
4:	10.6x	↖
5:	10.1	↘
6:	10.3x	↘
7:	9.9	→
8:	10.1	↓
9:	10.4x	↖
10:	8.3	↗

Series	97 ( 5x)
	283 ( 10x)

Relay <b>1</b>	Lane <b>12</b>	<b>Marija Vucenovic</b>
-------------------	-------------------	-------------------------

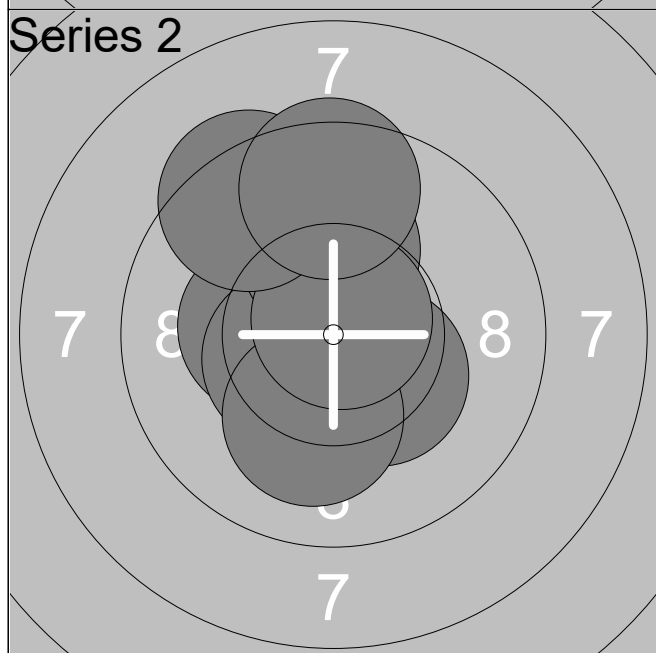
Mix Team Rifle Qual	NOR 1	WJ	R
---------------------	-------	----	---

11.02.2026	Denmark Open Air 2026	Denmark Open Air 2026
------------	-----------------------	-----------------------



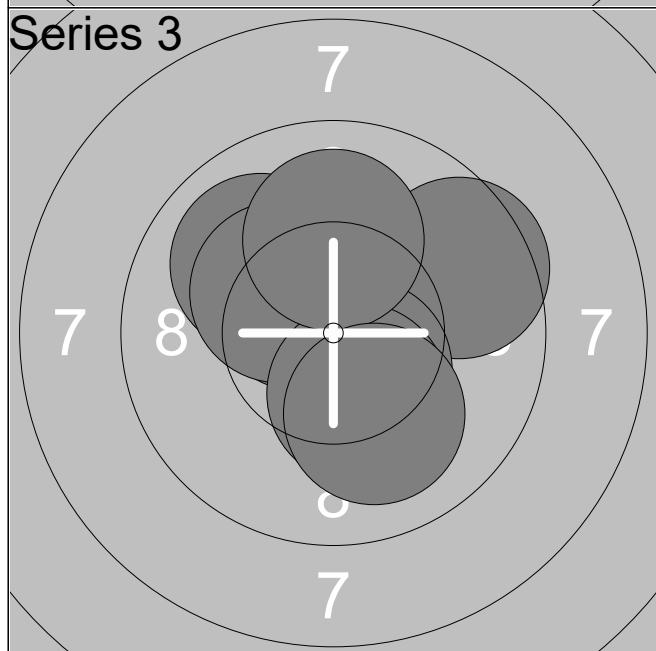
1:	10.1	↖
2:	10.0	→
3:	10.2x	↑
4:	10.0	↙
5:	9.4	↖
6:	10.4x	→
7:	10.3x	↘
8:	10.4x	↗
9:	9.8	↘
10:	10.8x	↑

Series	98 ( 5x)
	98 ( 5x)



1:	10.4x	↘
2:	10.4x	←
3:	10.3x	←
4:	10.6x	↘
5:	10.5x	↙
6:	10.1	↑
7:	10.1	↘
8:	10.8x	↗
9:	9.4	↖
10:	9.5	↑

Series	98 ( 6x)
	196 (11x)



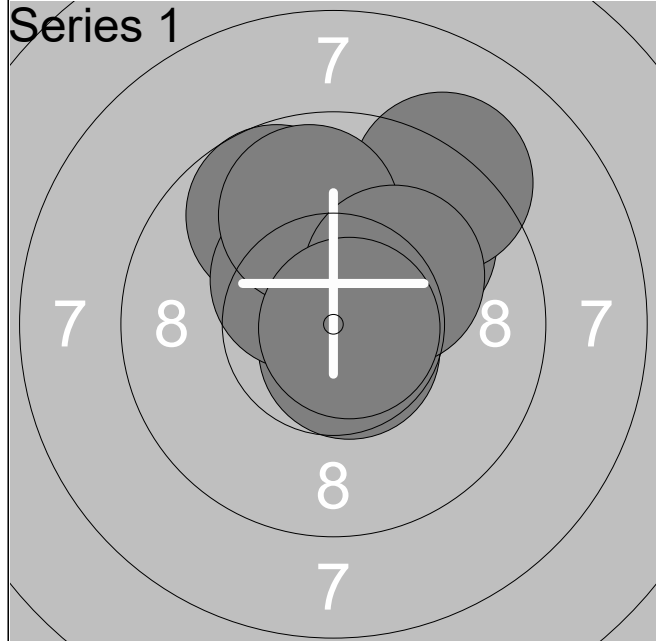
1:	10.0	↖
2:	10.2x	↗
3:	10.3x	↑
4:	9.6	→
5:	10.5x	↘
6:	10.5x	↗
7:	10.3x	↗
8:	10.3x	↘
9:	10.0	↑
10:	10.1	↘

Series	99 ( 6x)
	295 (17x)

Relay <b>1</b>	Lane <b>13</b>	<b>Sander Vampli</b>		
-------------------	-------------------	----------------------	--	--

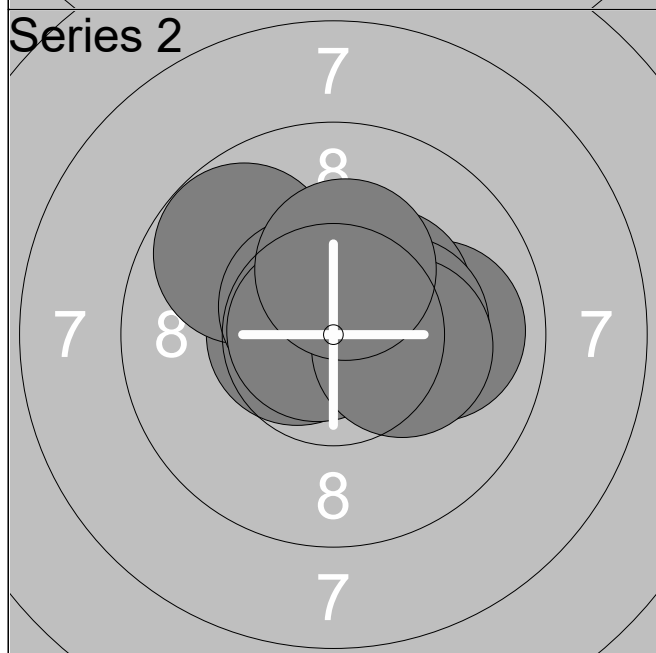
Mix Team Rifle Qual	NOR 1	MJ	R
---------------------	-------	----	---

11.02.2026	Denmark Open Air 2026	Denmark Open Air 2026
------------	-----------------------	-----------------------



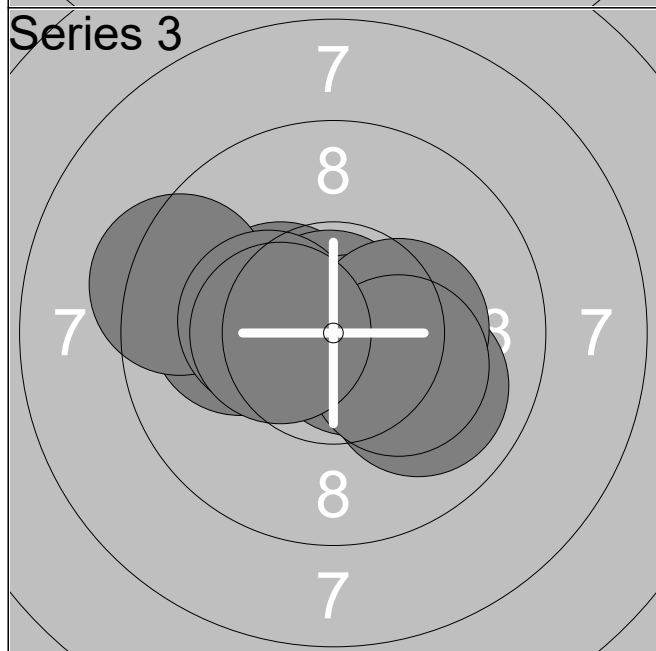
1:	9.7	↗
2:	10.5x	↑
3:	10.7x	↘
4:	10.6x	↗
5:	9.9	↗
6:	10.4x	↗
7:	9.2	↗
8:	9.9	↑
9:	10.2x	↗
10:	10.8x	→

Series	96 ( 6x)
	96 ( 6x)



1:	9.9	→
2:	10.5x	↗
3:	10.3x	↗
4:	10.3x	→
5:	10.6x	←
6:	9.8	↗
7:	10.6x	↗
8:	10.8x	←
9:	10.3x	→
10:	10.3x	↑

Series	98 ( 8x)
	194 (14x)



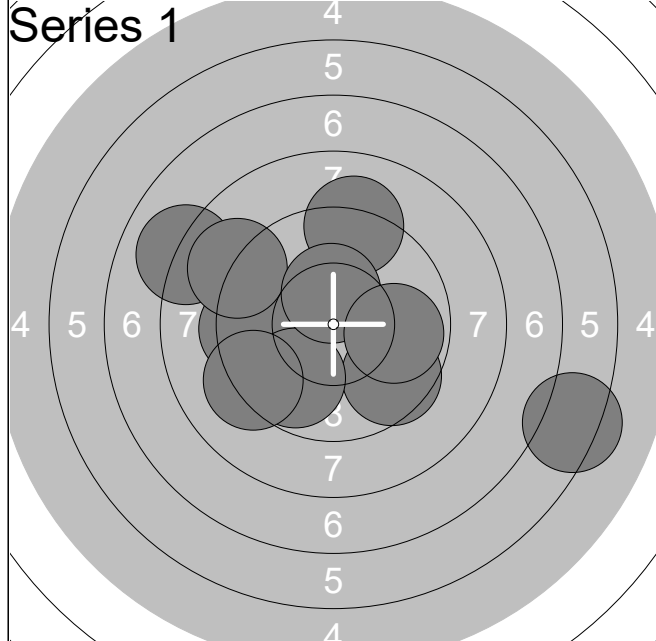
1:	10.4x	←
2:	10.0	↘
3:	10.0	←
4:	10.8x	↑
5:	10.7x	↘
6:	9.4	←
7:	10.3x	→
8:	10.2x	↘
9:	10.3x	←
10:	10.4x	←

Series	99 ( 7x)
	293 (21x)

Relay <b>1</b>	Lane <b>14</b>	<b>Sussie Wismarch Hansen</b>	
-------------------	-------------------	-------------------------------	--

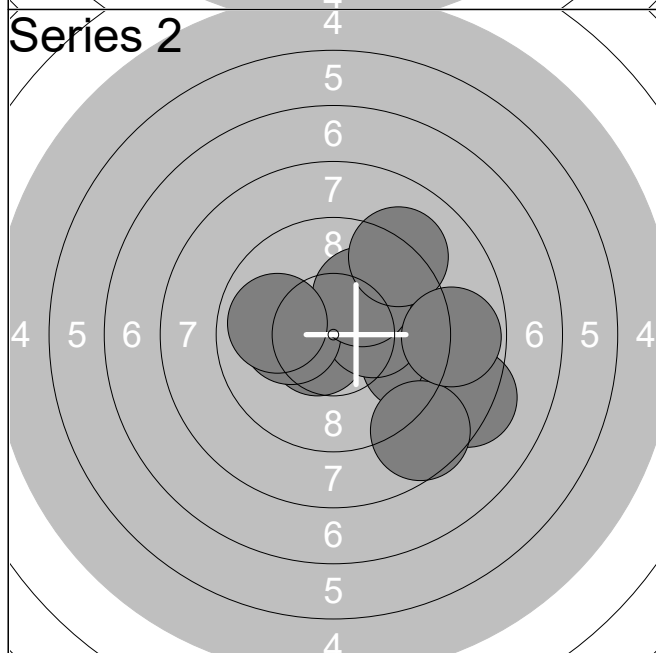
Mix Team Rifle Qual	DEN 4	W	R
---------------------	-------	---	---

11.02.2026	Denmark Open Air 2026	Denmark Open Air 2026
------------	-----------------------	-----------------------



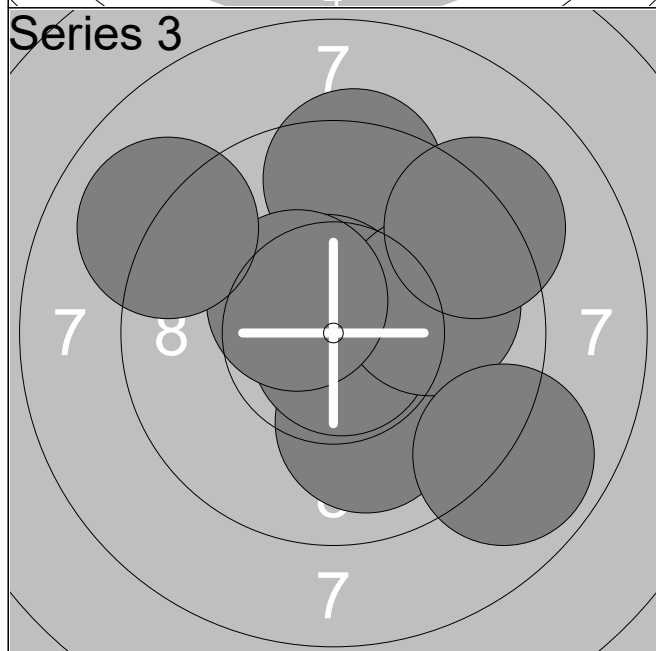
1:	9.5	↘
2:	8.0	↖
3:	9.4	←
4:	9.8	↘
5:	9.2	↖
6:	9.0	↖
7:	9.1	↑
8:	10.4x	↑
9:	9.9	→
10:	6.3	↘

Series	87 ( 1x)
	87 ( 1x)



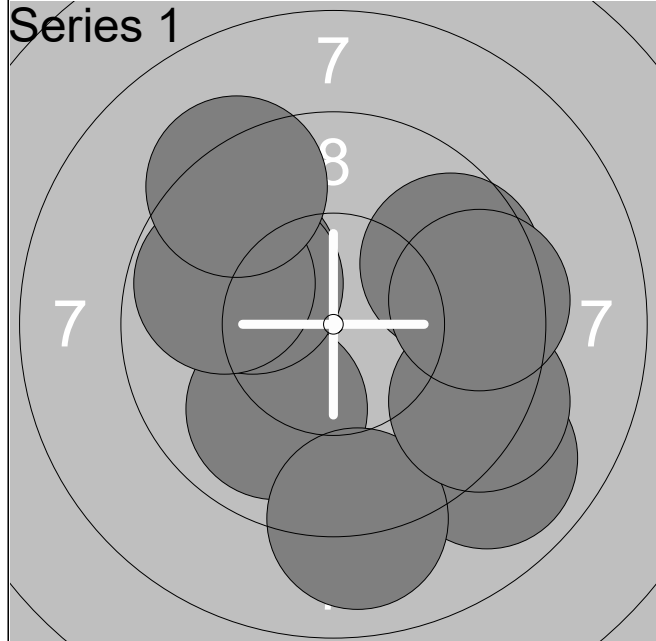
1:	10.6x	↖
2:	9.5	→
3:	8.3	↘
4:	10.2x	→
5:	10.2x	←
6:	10.1	↗
7:	8.6	↘
8:	9.9	←
9:	9.2	↗
10:	8.8	→

Series	91 ( 3x)
	178 ( 4x)

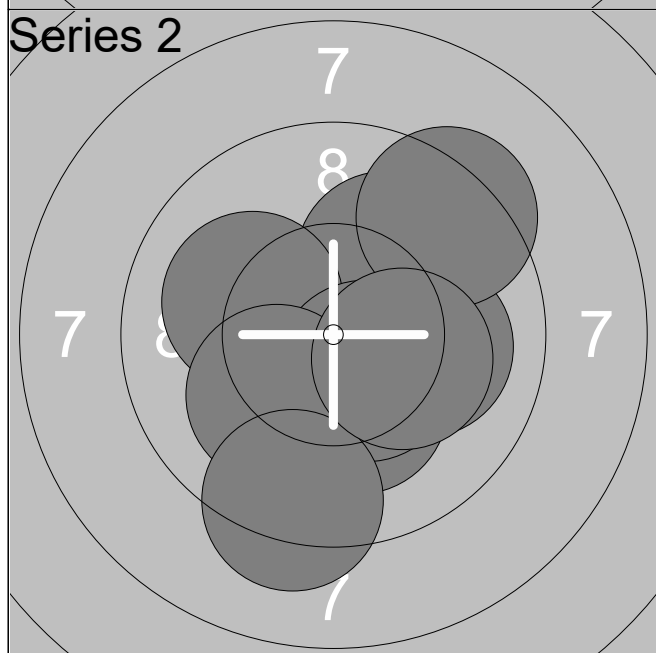


1:	10.0	↘
2:	9.7	↑
3:	9.4	↑
4:	10.6x	↑
5:	10.8x	↘
6:	9.9	→
7:	8.9	↘
8:	10.5x	↗
9:	9.2	↗
10:	9.0	↖

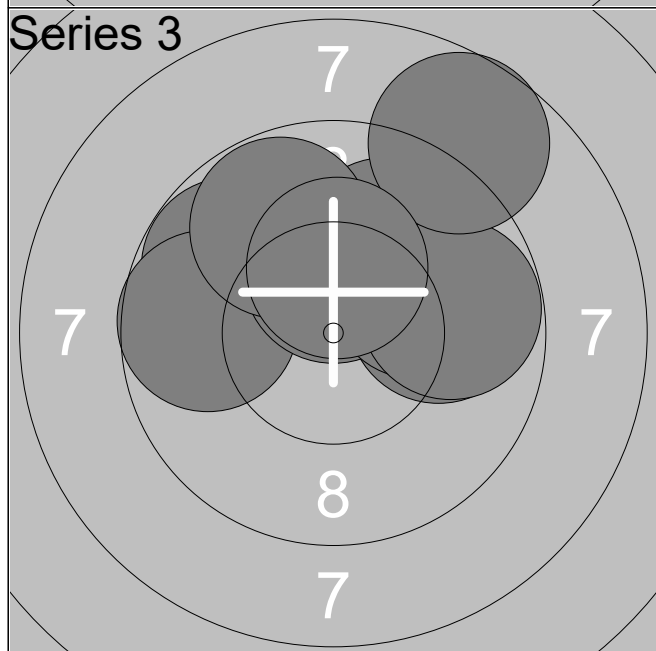
Series	93 ( 3x)
	271 ( 7x)



1:	9.9	↘
2:	10.0	↗
3:	8.9	↘
4:	10.1	↗
5:	9.8	↖
6:	9.0	↘
7:	9.3	↘
8:	9.3	↗
9:	9.7	↗
10:	9.5	→
<b>Series</b>		<b>91 ( 0x)</b>
		<b>91 ( 0x)</b>



1:	10.4x	↘
2:	10.1	→
3:	10.1	↗
4:	10.2x	↘
5:	10.1	↖
6:	9.3	↗
7:	10.5x	↘
8:	10.1	↘
9:	9.3	↘
10:	10.2x	→
<b>Series</b>		<b>98 ( 4x)</b>
		<b>189 ( 4x)</b>

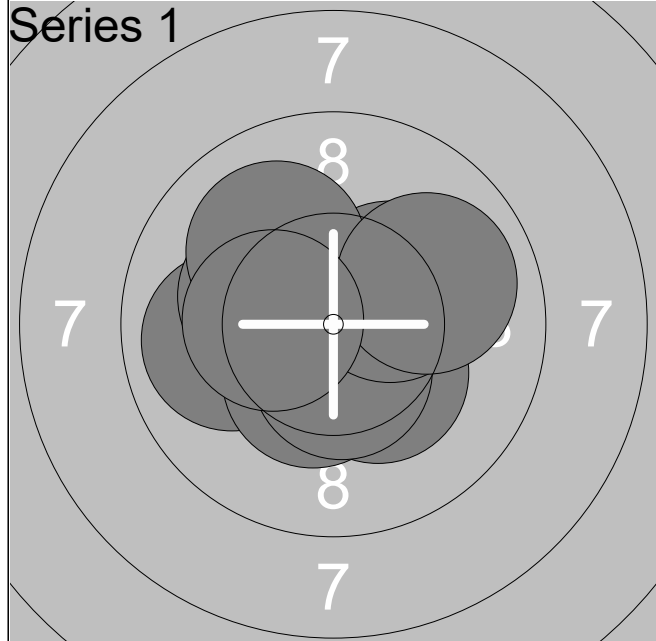


1:	9.9	→
2:	9.9	↗
3:	9.8	↖
4:	9.7	←
5:	10.3x	↑
6:	10.0	↗
7:	9.8	→
8:	9.8	↗
9:	8.7	↗
10:	10.3x	↑
<b>Series</b>		<b>92 ( 2x)</b>
		<b>281 ( 6x)</b>

Relay <b>1</b>	Lane <b>16</b>	<b>Essi Heiskanen</b>
-------------------	-------------------	-----------------------

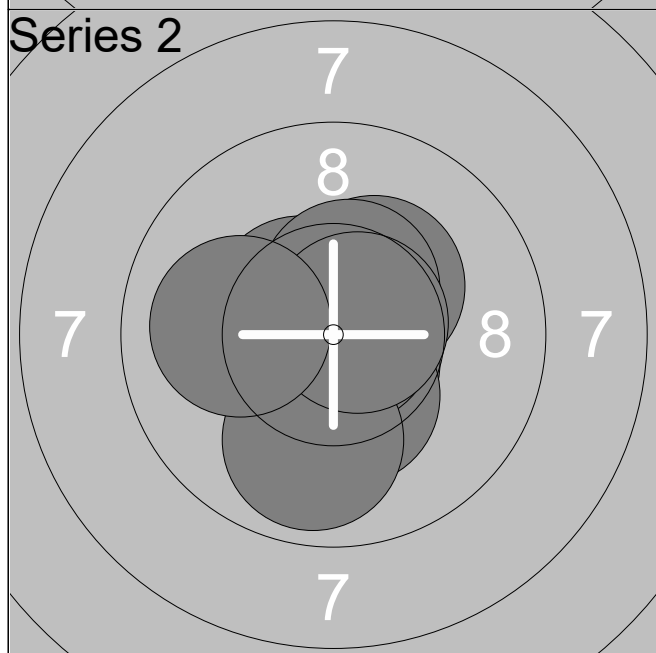
Mix Team Rifle Qual	FIN 1	W	R
---------------------	-------	---	---

11.02.2026	Denmark Open Air 2026	Denmark Open Air 2026
------------	-----------------------	-----------------------



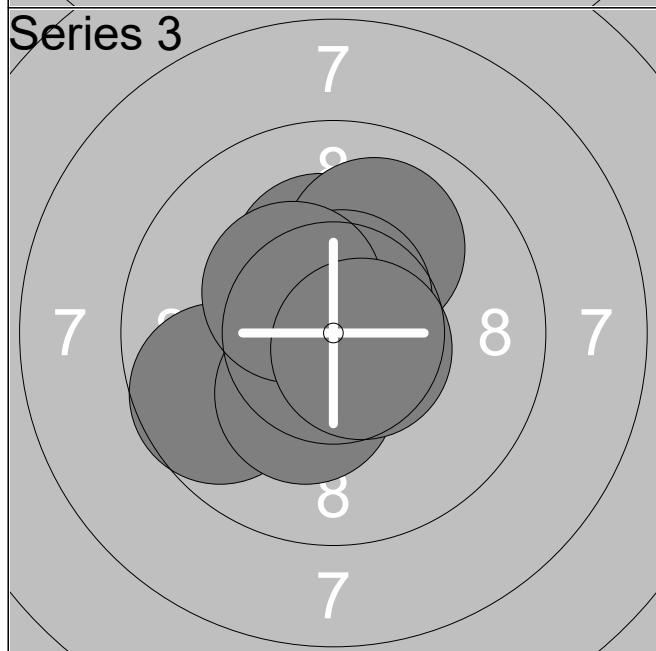
1:	10.3x	↘
2:	10.0	←
3:	10.4x	↘
4:	10.3x	↖
5:	10.6x	↖
6:	10.5x	↘
7:	10.3x	↗
8:	10.0	↗
9:	10.0	↗
10:	10.4x	←

Series	100 ( 7x)
	100 ( 7x)



1:	10.6x	↘
2:	10.4x	↘
3:	10.9x	←
4:	10.3x	↗
5:	10.8x	→
6:	10.6x	↖
7:	10.5x	↗
8:	9.9	↘
9:	10.7x	↗
10:	10.0	←

Series	99 ( 8x)
	199 (15x)



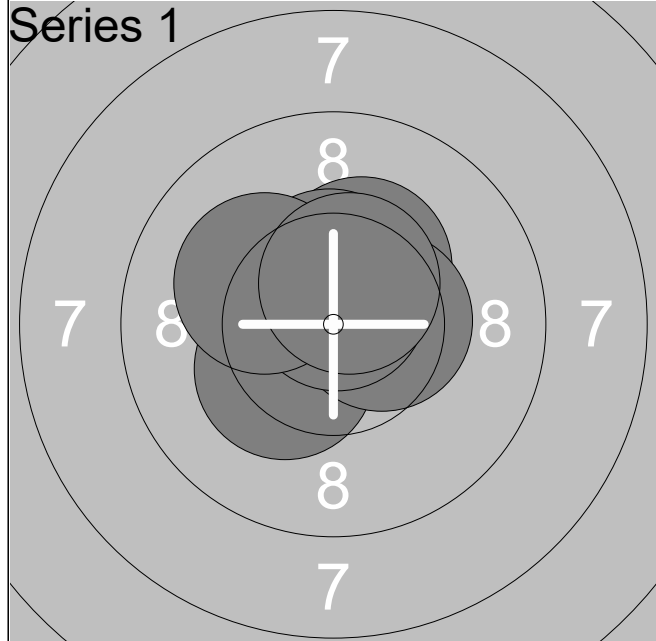
1:	10.8x	↗
2:	10.3x	↗
3:	10.8x	↘
4:	10.7x	↗
5:	10.0	↗
6:	9.7	←
7:	10.3x	↘
8:	10.6x	↗
9:	10.4x	↗
10:	10.6x	↘

Series	99 ( 8x)
	298 (23x)

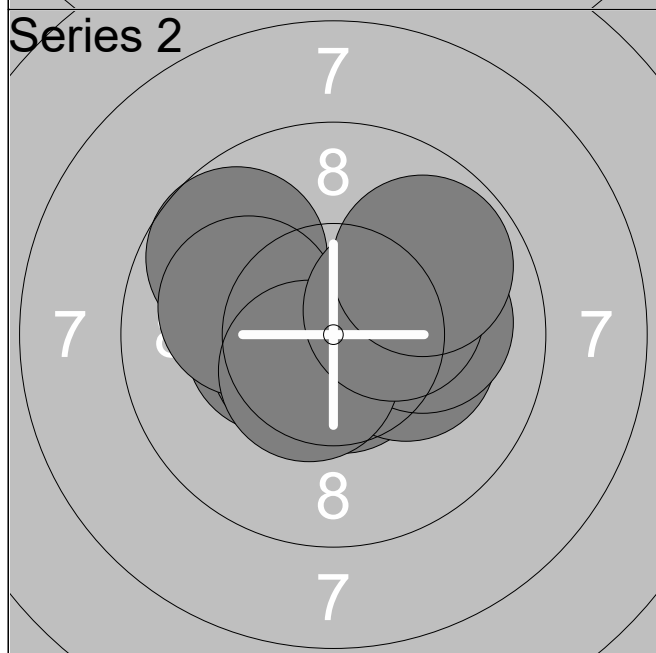
Relay <b>1</b>	Lane <b>17</b>	<b>Roni Airo</b>
-------------------	-------------------	------------------

Mix Team Rifle Qual	FIN 1	M	R
---------------------	-------	---	---

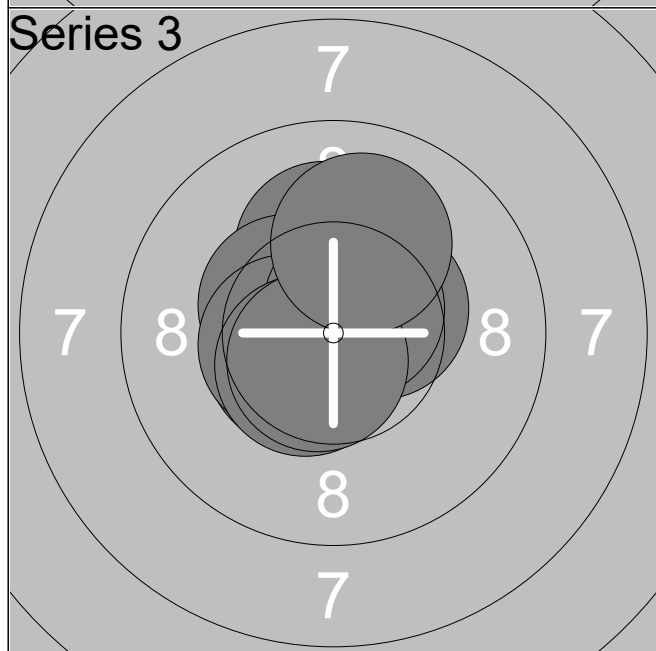
11.02.2026	Denmark Open Air 2026	Denmark Open Air 2026
------------	-----------------------	-----------------------



1:	10.4x	↗
2:	10.7x	↖
3:	10.3x	↗
4:	10.7x	↗
5:	10.3x	↙
6:	10.5x	→
7:	10.5x	↑
8:	10.7x	↑
9:	10.2x	↖
10:	10.5x	↗
Series	100 (10x)	
	100 (10x)	



1:	10.6x	↓
2:	10.4x	←
3:	10.6x	↙
4:	10.2x	→
5:	9.7	↗
6:	10.1	→
7:	10.1	←
8:	10.5x	↓
9:	10.3x	→
10:	9.8	↗
Series	98 ( 6x)	
	198 (16x)	

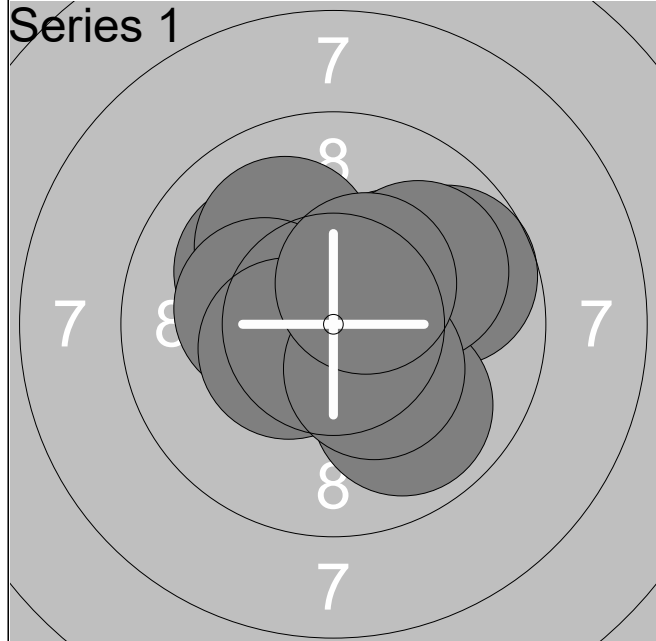


1:	10.4x	↗
2:	10.2x	↑
3:	10.4x	↖
4:	10.5x	↙
5:	10.6x	↙
6:	10.5x	←
7:	10.7x	↗
8:	10.5x	↙
9:	10.6x	↓
10:	10.0	↑
Series	100 ( 9x)	
	298 (25x)	

Relay <b>1</b>	Lane <b>18</b>	<b>Freya Kristensen</b>
-------------------	-------------------	-------------------------

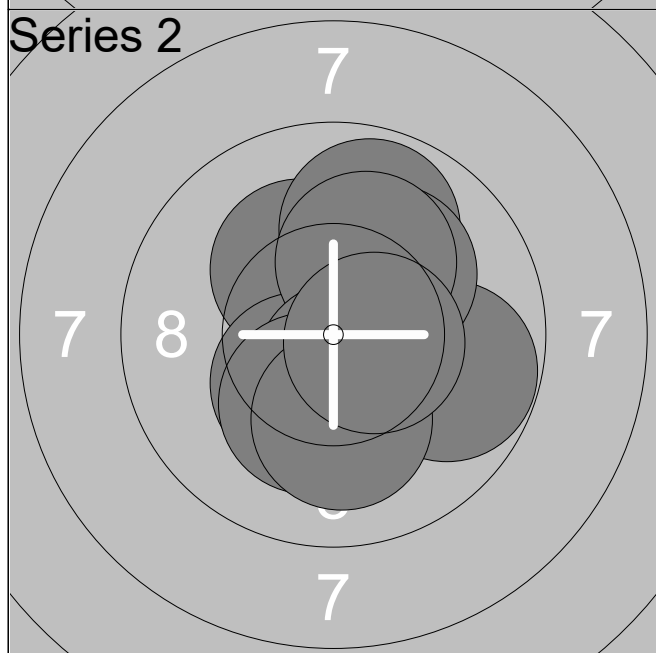
Mix Team Rifle Qual	DEN 3	WJ	R
---------------------	-------	----	---

11.02.2026	Denmark Open Air 2026	Denmark Open Air 2026
------------	-----------------------	-----------------------



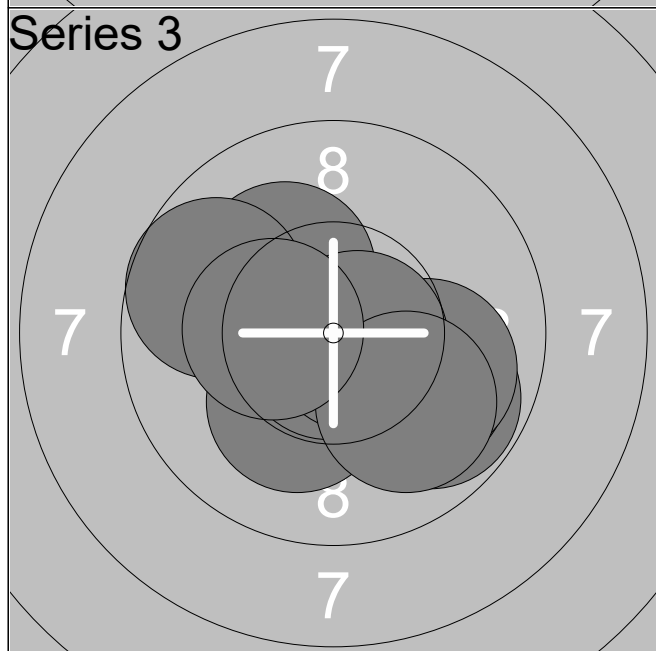
1:	9.7	➔
2:	10.1	↗
3:	10.2x	↗
4:	10.0	↗
5:	10.2x	↖
6:	9.9	↘
7:	10.0	↗
8:	10.5x	↖
9:	10.3x	↘
10:	10.4x	↗

Series	98 ( 5x)
	98 ( 5x)



1:	10.2x	↖
2:	9.8	➔
3:	9.8	↗
4:	10.1	↗
5:	10.4x	↘
6:	10.2x	↗
7:	10.6x	↘
8:	10.2x	↘
9:	10.1	↘
10:	10.5x	➔

Series	98 ( 6x)
	196 (11x)



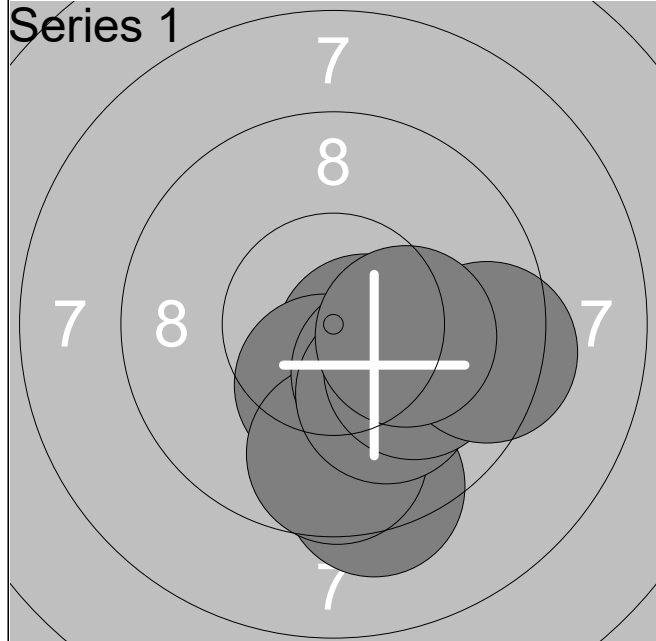
1:	10.2x	↘
2:	9.8	↘
3:	10.2x	↗
4:	10.0	↘
5:	10.0	↘
6:	10.8x	↘
7:	10.7x	➔
8:	10.0	↘
9:	9.7	↖
10:	10.3x	↖

Series	98 ( 5x)
	294 (16x)

Relay <b>1</b>	Lane <b>19</b>	<b>Jens Frimann</b>		
-------------------	-------------------	---------------------	--	--

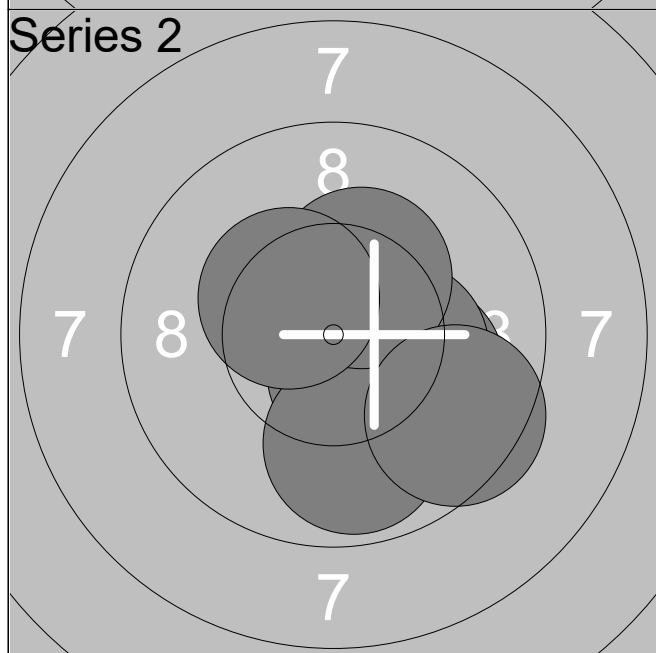
Mix Team Rifle Qual	DEN 3	M	R
---------------------	-------	---	---

11.02.2026	Denmark Open Air 2026	Denmark Open Air 2026
------------	-----------------------	-----------------------



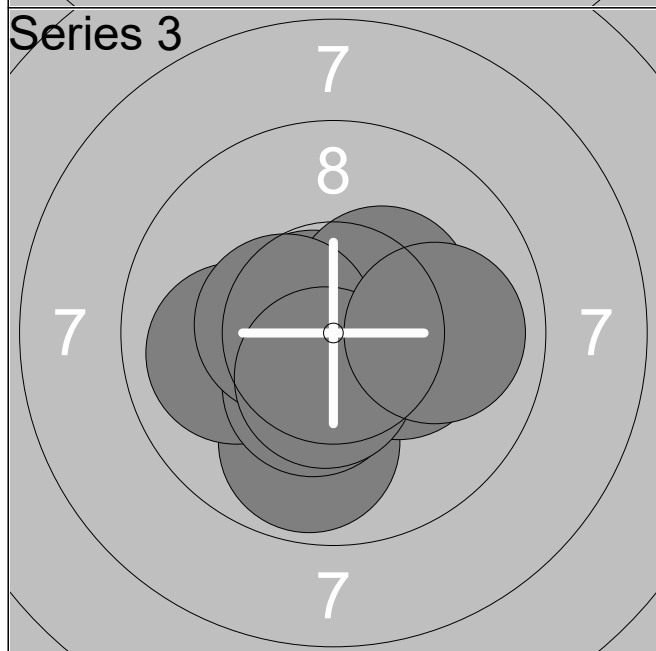
1:	10.6x	↘
2:	9.4	↓
3:	10.4x	↓
4:	9.3	↓
5:	9.7	↓
6:	10.3x	↘
7:	10.1	↘
8:	10.0	↘
9:	9.4	→
10:	10.2x	→

Series	96 ( 4x)
	96 ( 4x)



1:	10.4x	↘
2:	10.5x	↗
3:	9.9	↘
4:	10.1	↘
5:	10.3x	→
6:	10.5x	↘
7:	9.9	↓
8:	10.3x	↗
9:	10.4x	↗
10:	9.5	↘

Series	97 ( 6x)
	193 (10x)



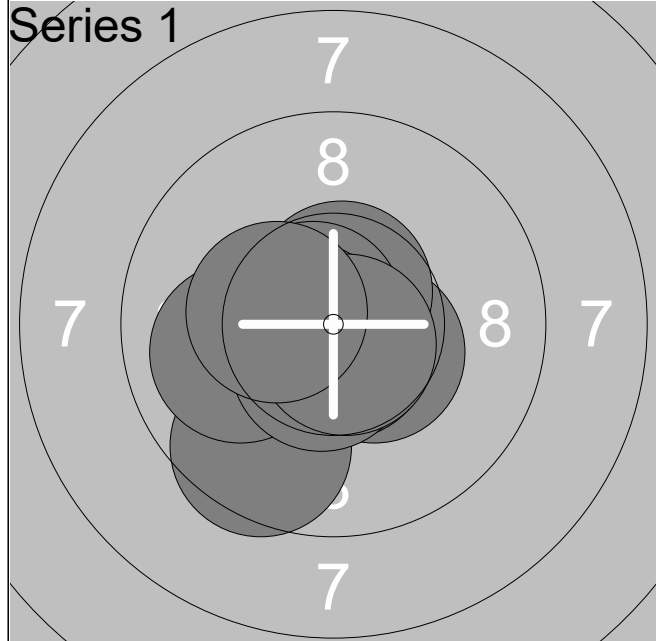
1:	9.8	↓
2:	10.0	←
3:	10.4x	↓
4:	10.3x	→
5:	10.8x	↓
6:	10.7x	↖
7:	10.4x	↗
8:	10.5x	←
9:	10.5x	↓
10:	10.0	→

Series	99 ( 7x)
	292 (17x)

Relay <b>1</b>	Lane <b>20</b>	<b>Saumya Rajeshbhai Ramani</b>		
-------------------	-------------------	---------------------------------	--	--

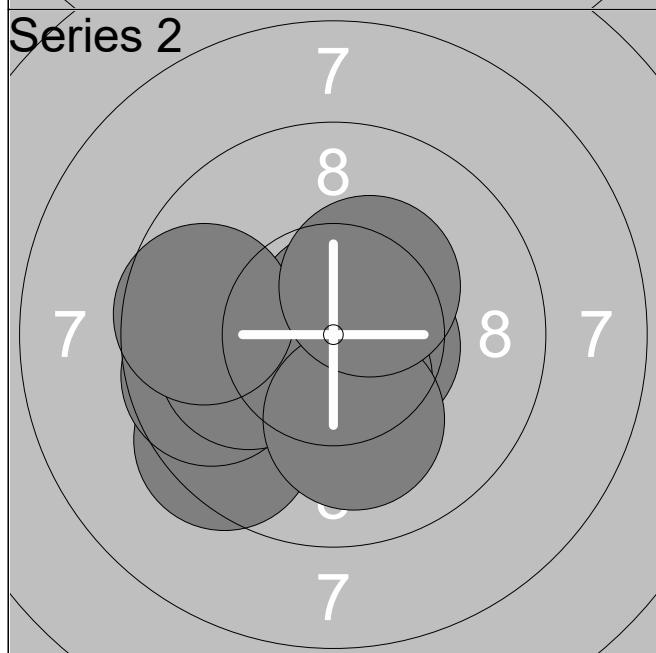
Mix Team Rifle Qual	IND 1	M	R
---------------------	-------	---	---

11.02.2026	Denmark Open Air 2026	Denmark Open Air 2026
------------	-----------------------	-----------------------



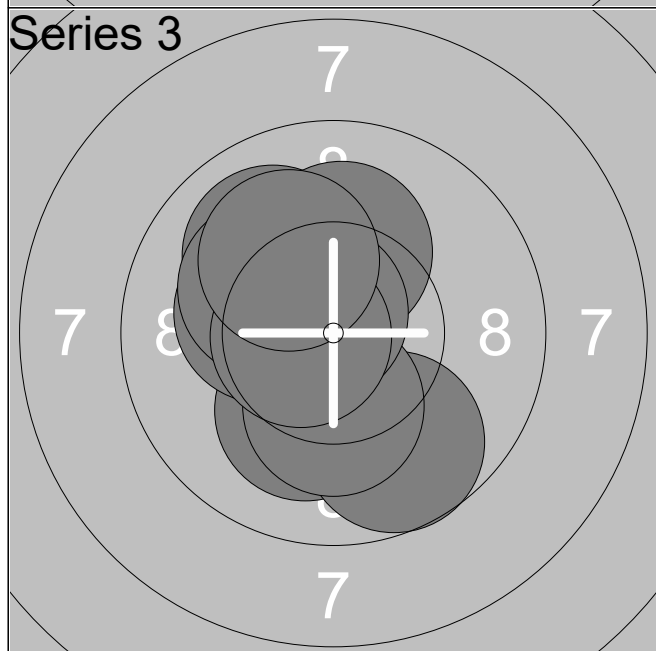
1:	10.5x	↘
2:	10.6x	↑
3:	10.7x	↓
4:	9.5	↘
5:	10.7x	↗
6:	10.0	←
7:	10.7x	←
8:	10.6x	↓
9:	10.7x	↓
10:	10.4x	←

Series	99 ( 8x)
	99 ( 8x)



1:	10.6x	→
2:	10.5x	↓
3:	10.8x	↗
4:	10.9x	↓
5:	9.4	↘
6:	9.7	←
7:	10.1	←
8:	9.7	←
9:	10.1	↓
10:	10.4x	↗

Series	97 ( 5x)
	196 (13x)



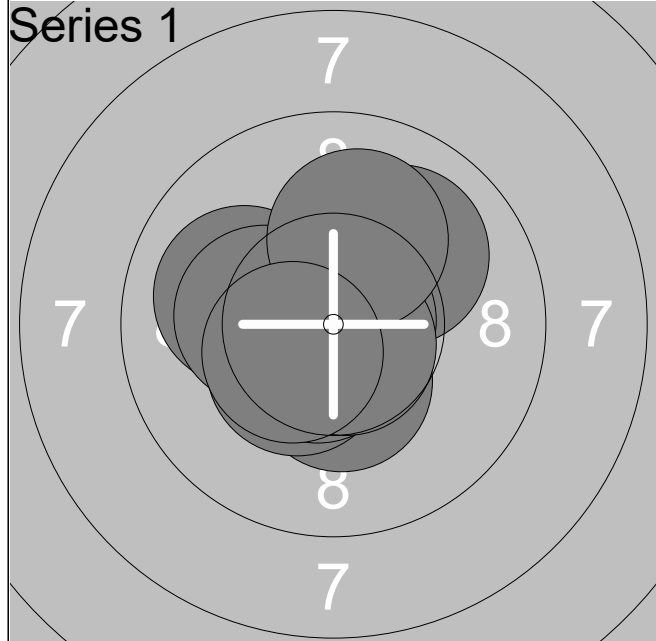
1:	10.1	↓
2:	10.0	↗
3:	10.3x	←
4:	9.7	↓
5:	10.2x	↓
6:	10.1	↑
7:	10.2x	↗
8:	10.7x	↗
9:	10.6x	←
10:	10.1	↗

Series	99 ( 5x)
	295 (18x)

Relay <b>1</b>	Lane <b>21</b>	<b>Mruga Keyurbhai Gandhi</b>
-------------------	-------------------	-------------------------------

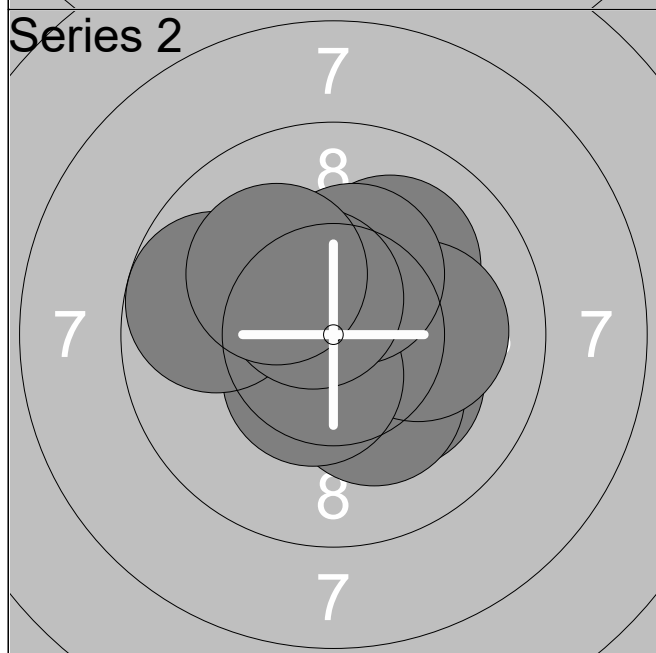
Mix Team Rifle Qual	IND 1	W	R
---------------------	-------	---	---

11.02.2026	Denmark Open Air 2026	Denmark Open Air 2026
------------	-----------------------	-----------------------



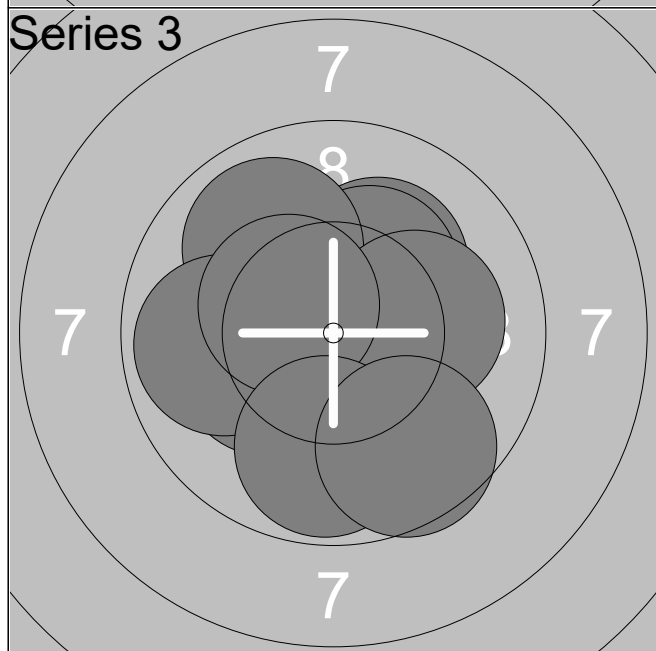
1:	10.0	↗
2:	10.0	↖
3:	10.4x	↓
4:	10.3x	↖
5:	10.8x	→
6:	10.4x	↙
7:	10.6x	↙
8:	10.7x	↙
9:	10.1	↑
10:	10.5x	↙

Series	100 ( 7x)
	100 ( 7x)



1:	10.2x	↘
2:	10.2x	↗
3:	10.2x	↓
4:	10.1	↗
5:	10.1	→
6:	10.5x	↙
7:	10.3x	↑
8:	9.8	↖
9:	10.5x	↗
10:	10.1	↗

Series	99 ( 6x)
	199 (13x)



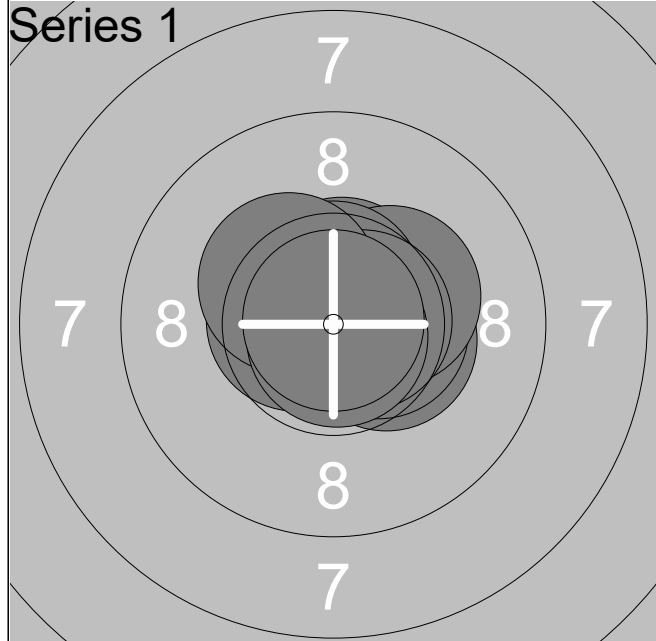
1:	10.2x	↗
2:	10.3x	↗
3:	10.2x	↖
4:	9.9	↗
5:	10.2x	↖
6:	9.9	↖
7:	10.2x	→
8:	10.4x	↗
9:	9.8	↓
10:	9.6	↘

Series	96 ( 6x)
	295 (19x)

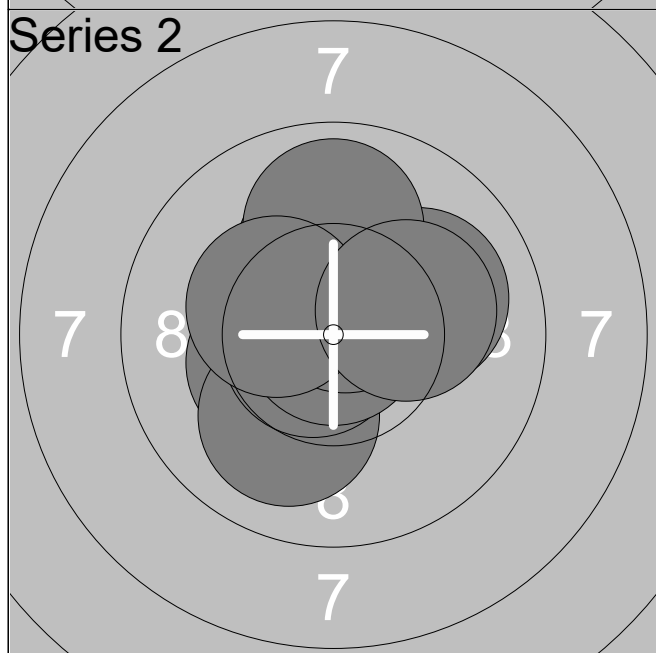
Relay <b>1</b>	Lane <b>22</b>	<b>Rikke Mæng</b>
-------------------	-------------------	-------------------

Mix Team Rifle Qual	DEN 5	W	R
---------------------	-------	---	---

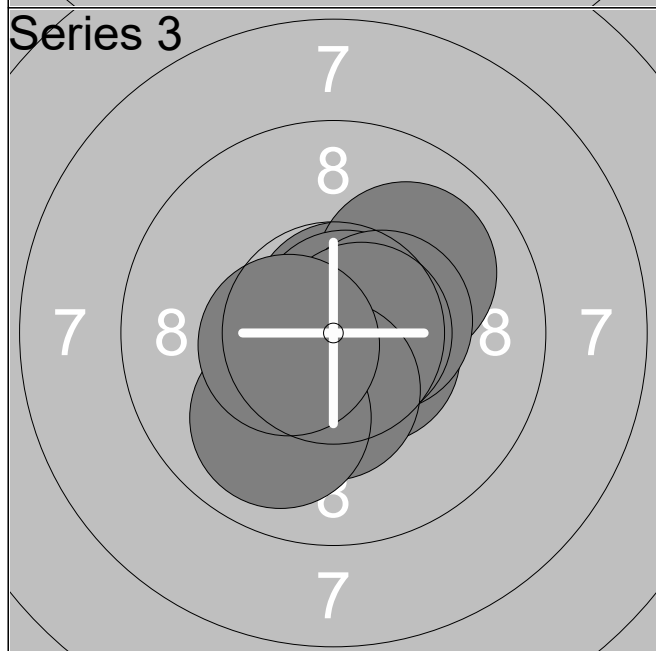
11.02.2026	Denmark Open Air 2026	Denmark Open Air 2026
------------	-----------------------	-----------------------



1:	10.6x	↑
2:	10.4x	→
3:	10.5x	→
4:	10.3x	↗
5:	10.6x	←
6:	10.6x	↑
7:	10.7x	→
8:	10.4x	↖
9:	10.8x	↓
10:	10.9x	↑
<b>Series</b>		<b>100 (10x)</b>
		<b>100 (10x)</b>



1:	10.3x	←
2:	10.0	↓
3:	10.7x	←
4:	10.2x	↑
5:	10.1	→
6:	10.9x	
7:	10.6x	↑
8:	9.9	↑
9:	10.3x	←
10:	10.2x	→
<b>Series</b>		<b>99 ( 7x)</b>
		<b>199 (17x)</b>

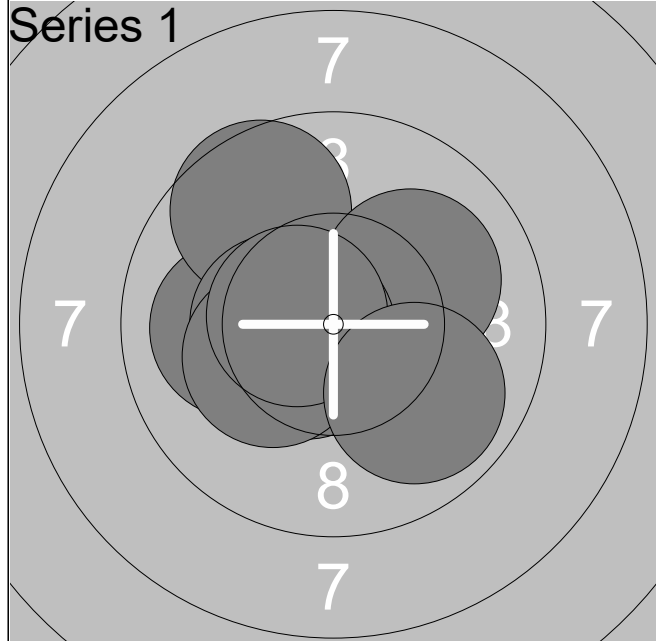


1:	10.7x	↑
2:	10.8x	→
3:	10.0	↗
4:	10.5x	↘
5:	10.8x	↗
6:	10.5x	→
7:	10.7x	→
8:	10.4x	↓
9:	10.0	↓
10:	10.5x	←
<b>Series</b>		<b>100 ( 8x)</b>
		<b>299 (25x)</b>

Relay <b>1</b>	Lane <b>23</b>	<b>René Kristiansen</b>
-------------------	-------------------	-------------------------

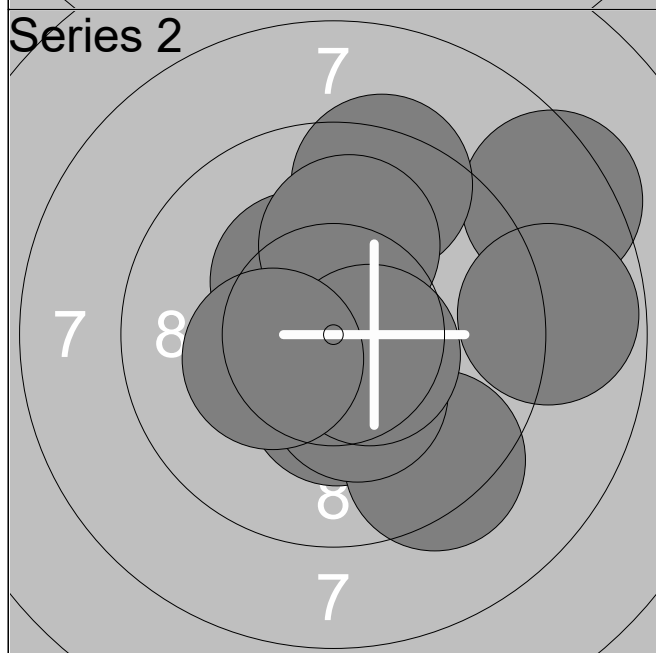
Mix Team Rifle Qual	DEN 5	M	R
---------------------	-------	---	---

11.02.2026	Denmark Open Air 2026	Denmark Open Air 2026
------------	-----------------------	-----------------------



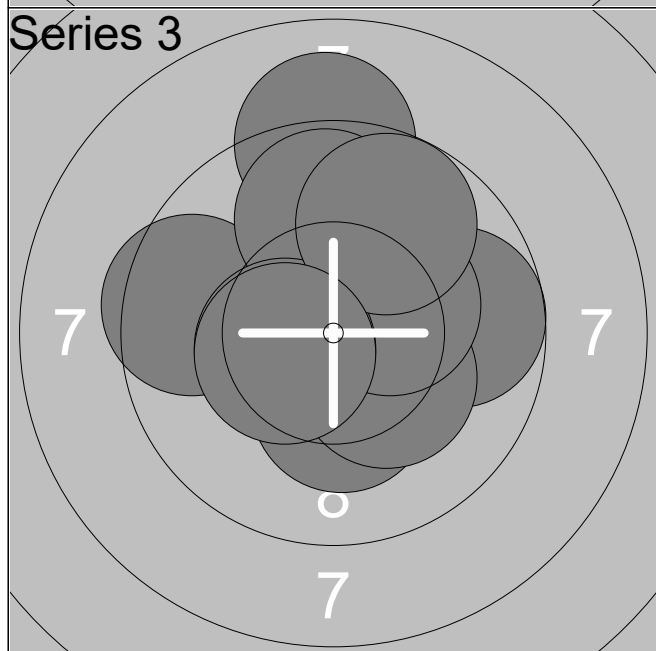
1:	10.6x	↙
2:	10.0	←
3:	10.8x	↗
4:	9.6	↖
5:	10.1	↗
6:	10.7x	←
7:	10.4x	←
8:	10.3x	←
9:	10.6x	←
10:	9.9	↘

Series	98 ( 6x)
	98 ( 6x)



1:	8.4	↗
2:	9.4	↗
3:	8.8	→
4:	10.4x	↖
5:	10.0	↗
6:	10.3x	↓
7:	9.4	↘
8:	10.3x	↓
9:	10.6x	↘
10:	10.3x	←

Series	94 ( 5x)
	192 (11x)



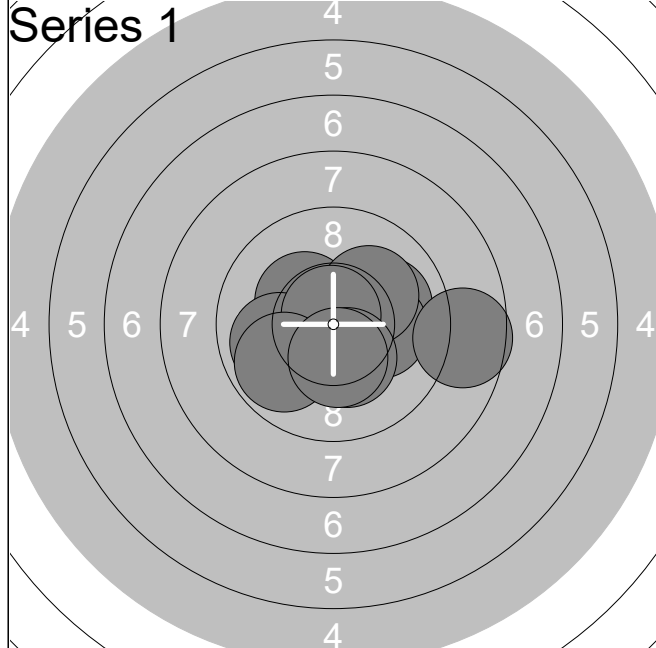
1:	9.8	→
2:	10.3x	↓
3:	9.5	←
4:	10.3x	↘
5:	9.1	↗
6:	9.8	↗
7:	10.3x	↗
8:	10.4x	←
9:	9.8	↗
10:	10.4x	←

Series	95 ( 5x)
	287 (16x)

Relay <b>1</b>	Lane <b>24</b>	<b>Stella Murphy</b>
-------------------	-------------------	----------------------

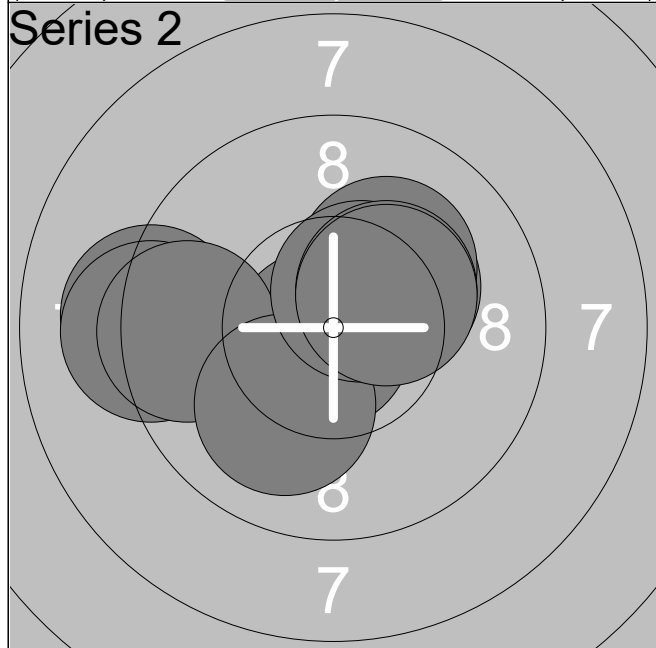
Mix Team Rifle Qual	INT 1	WJ	R
---------------------	-------	----	---

11.02.2026	Denmark Open Air 2026	Denmark Open Air 2026
------------	-----------------------	-----------------------



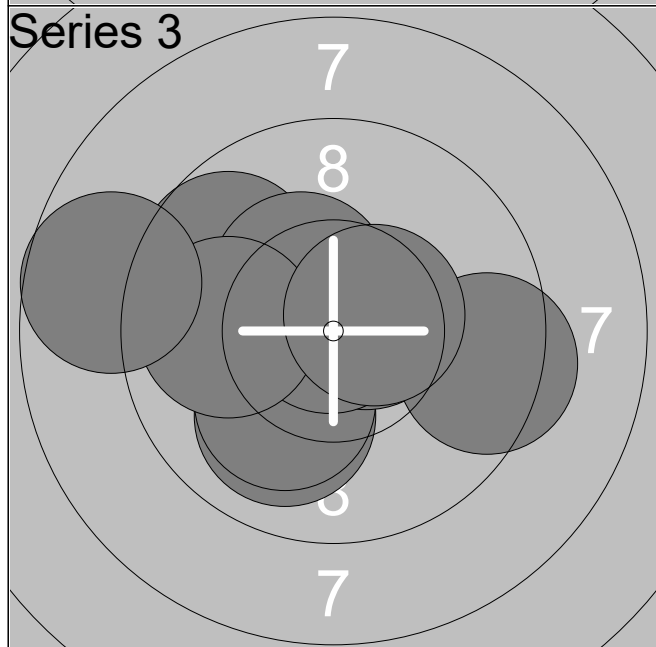
1:	10.0	➔
2:	10.3x	↖
3:	10.1	➔
4:	10.1	↗
5:	9.9	↙
6:	8.6	➔
7:	10.8x	↑
8:	10.3x	↓
9:	9.8	↙
10:	10.4x	↓

Series	96 ( 4x)
	96 ( 4x)



1:	9.1	↙
2:	9.1	↙
3:	10.8x	↙
4:	9.5	↙
5:	10.3x	↗
6:	10.1	↓
7:	10.2x	↗
8:	10.5x	↗
9:	10.3x	↗
10:	10.3x	↗

Series	97 ( 6x)
	193 (10x)



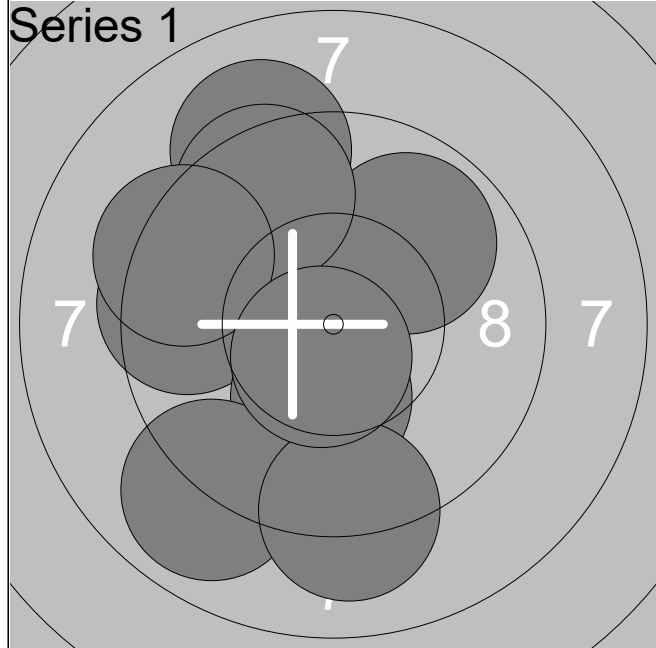
1:	10.0	↓
2:	10.1	↓
3:	10.6x	➔
4:	10.9x	↗
5:	9.7	↗
6:	10.4x	↗
7:	9.4	➔
8:	9.9	↙
9:	8.7	↙
10:	10.5x	➔

Series	95 ( 4x)
	288 (14x)

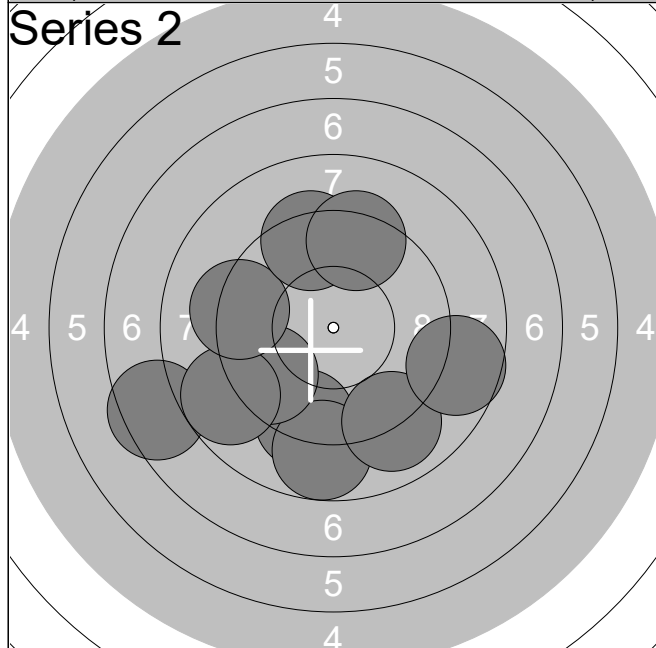
Relay <b>1</b>	Lane <b>25</b>	<b>Ross Donaldson</b>
-------------------	-------------------	-----------------------

Mix Team Rifle Qual	INT 1	M	R
---------------------	-------	---	---

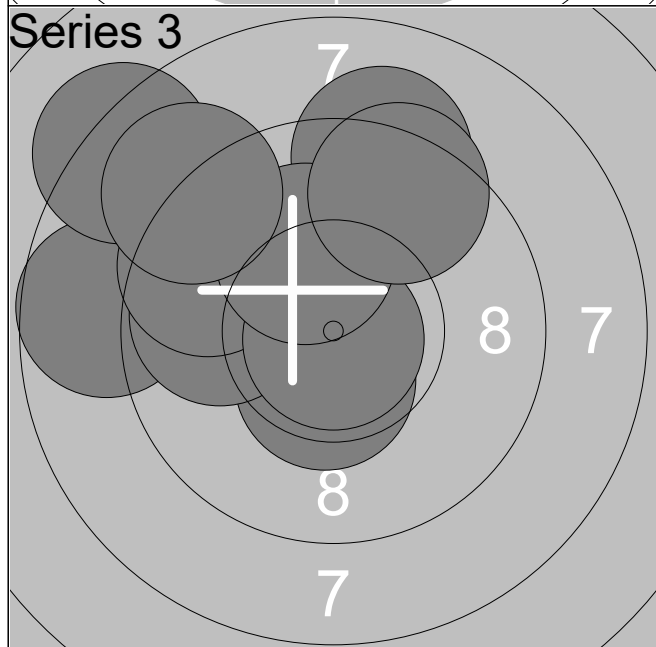
11.02.2026	Denmark Open Air 2026	Denmark Open Air 2026
------------	-----------------------	-----------------------



1:	9.1	↗
2:	10.3x	↗
3:	9.9	↗
4:	9.5	←
5:	9.5	↗
6:	10.2x	↓
7:	9.3	↖
8:	8.9	↘
9:	9.1	↓
10:	10.6x	↓
<b>Series</b>		<b>92 ( 3x)</b>
		<b>92 ( 3x)</b>



1:	9.2	↓
2:	7.5	←
3:	8.8	↓
4:	9.5	←
5:	9.0	↘
6:	8.8	←
7:	9.2	←
8:	9.3	↑
9:	8.7	→
10:	9.3	↑
<b>Series</b>		<b>85 ( 0x)</b>
		<b>177 ( 3x)</b>

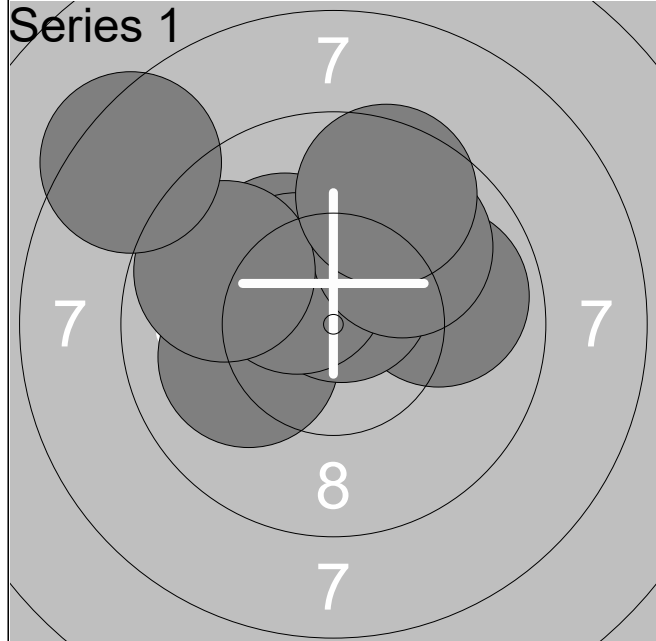


1:	8.7	←
2:	10.5x	↓
3:	9.8	←
4:	9.6	↖
5:	9.2	↗
6:	10.9x	↓
7:	8.2	↗
8:	10.2x	↗
9:	9.0	↗
10:	9.5	↗
<b>Series</b>		<b>91 ( 3x)</b>
		<b>268 ( 6x)</b>

Relay <b>1</b>	Lane <b>26</b>	<b>Anna Olesen</b>
-------------------	-------------------	--------------------

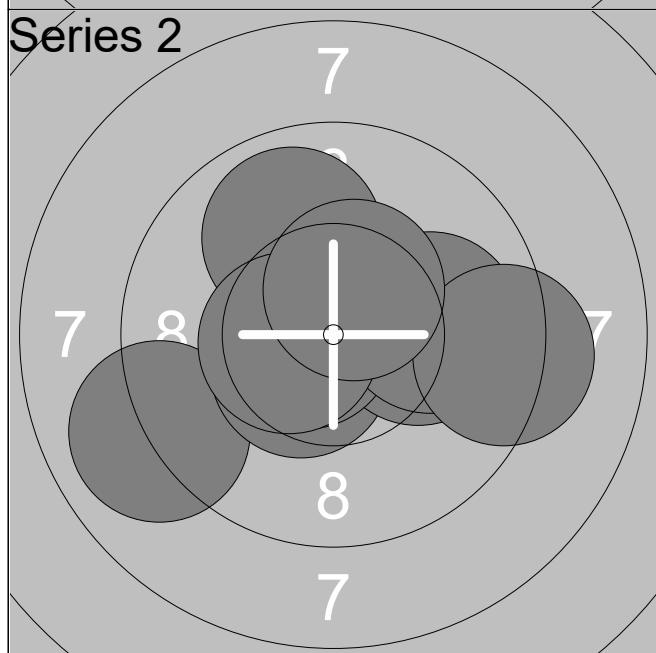
Mix Team Rifle Qual	DEN 7	W	R
---------------------	-------	---	---

11.02.2026	Denmark Open Air 2026	Denmark Open Air 2026
------------	-----------------------	-----------------------



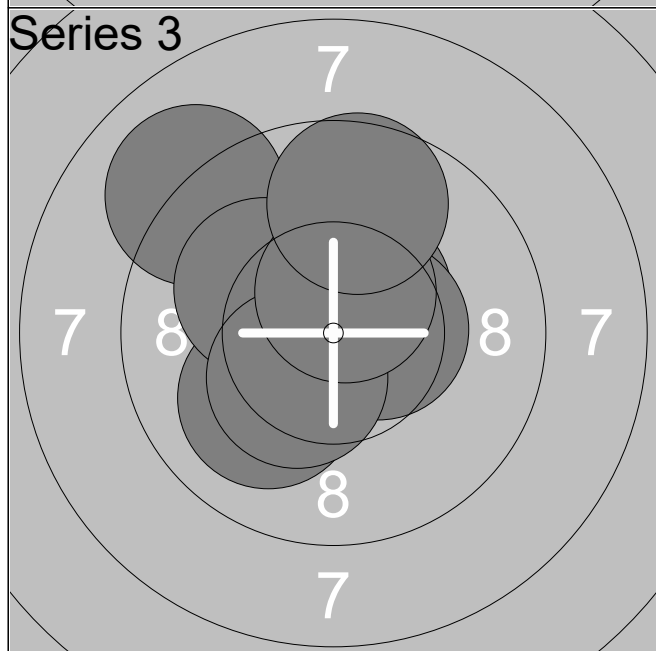
1:	10.2x	↗
2:	10.1	↖
3:	9.9	→
4:	10.6x	↑
5:	10.2x	↖
6:	10.4x	↖
7:	9.9	↗
8:	9.8	↖
9:	9.6	↑
10:	8.4	↖

Series	94 ( 4x)
	94 ( 4x)



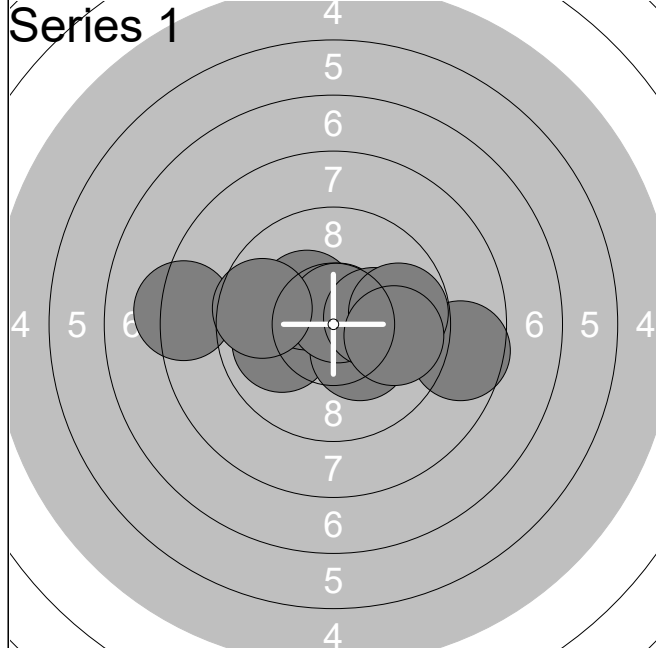
1:	9.0	↖
2:	10.5x	↖
3:	10.5x	↑
4:	10.1	→
5:	10.7x	↖
6:	9.9	↑
7:	10.0	→
8:	10.5x	↖
9:	9.3	→
10:	10.5x	↑

Series	97 ( 5x)
	191 ( 9x)



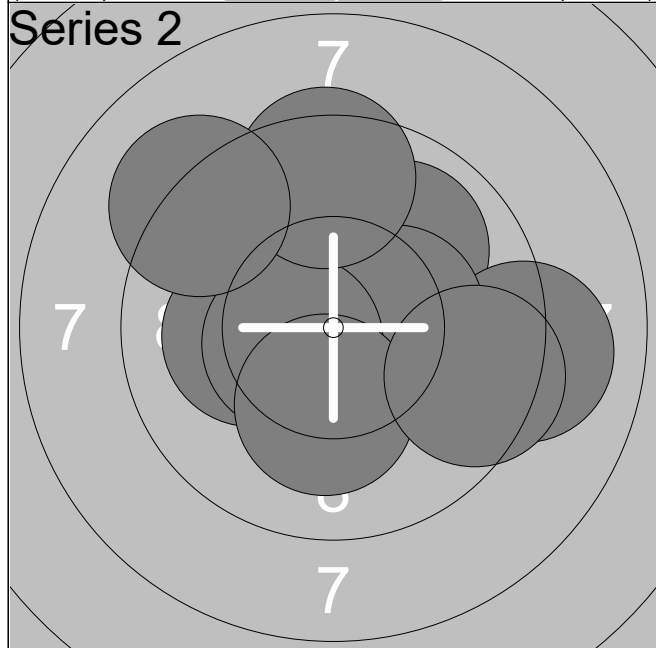
1:	9.0	↖
2:	10.5x	↗
3:	10.0	↖
4:	10.3x	↖
5:	10.6x	↖
6:	10.5x	→
7:	10.1	↖
8:	10.4x	↖
9:	10.5x	↑
10:	9.7	↑

Series	98 ( 6x)
	289 ( 15x)



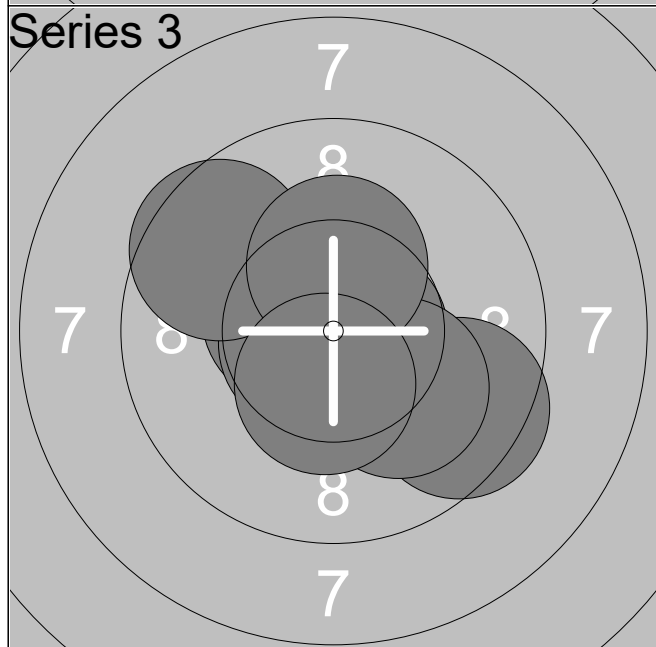
1:	10.0	←
2:	10.3x	↗
3:	8.6	→
4:	10.3x	↘
5:	10.7x	↑
6:	10.2x	→
7:	8.3	←
8:	9.8	→
9:	9.9	→
10:	9.6	←

Series	93 ( 4x)
	93 ( 4x)



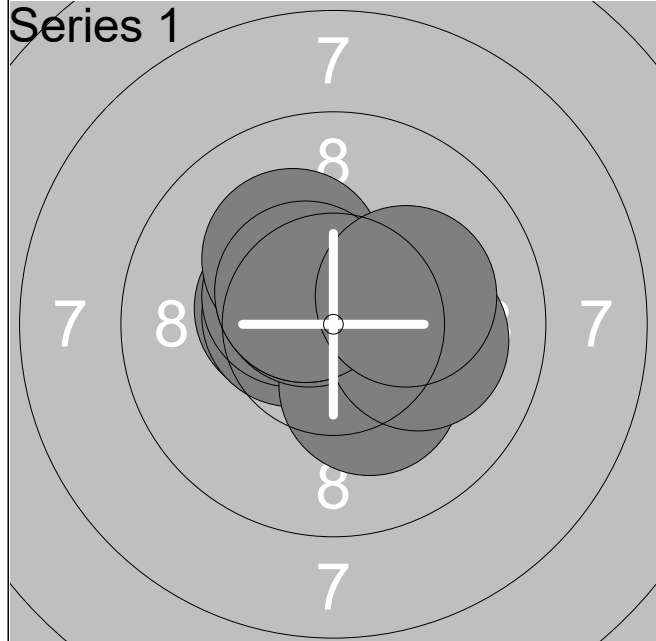
1:	10.2x	←
2:	10.0	↗
3:	9.1	→
4:	10.7x	←
5:	10.3x	→
6:	10.5x	←
7:	9.5	↑
8:	10.2x	↓
9:	9.2	↗
10:	9.5	→

Series	96 ( 5x)
	189 ( 9x)

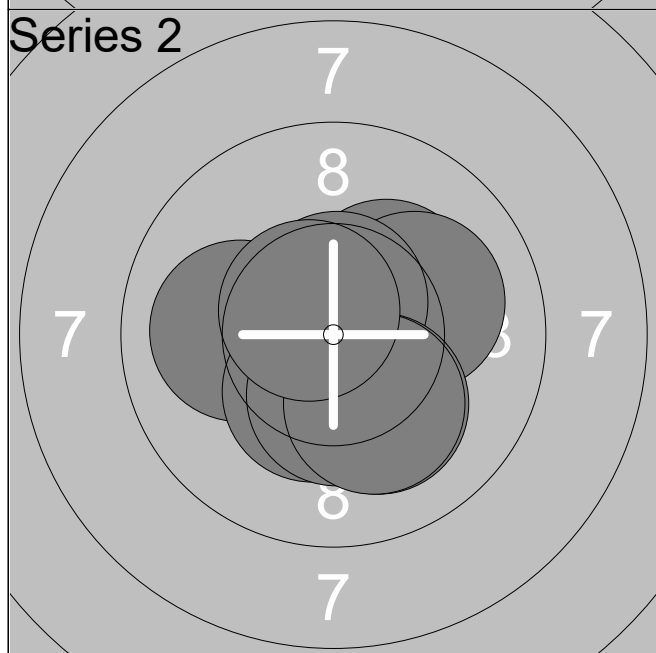


1:	10.7x	→
2:	10.5x	←
3:	10.8x	↑
4:	9.5	↘
5:	10.9x	
6:	10.7x	←
7:	10.1	↘
8:	9.6	↗
9:	10.3x	↑
10:	10.4x	↓

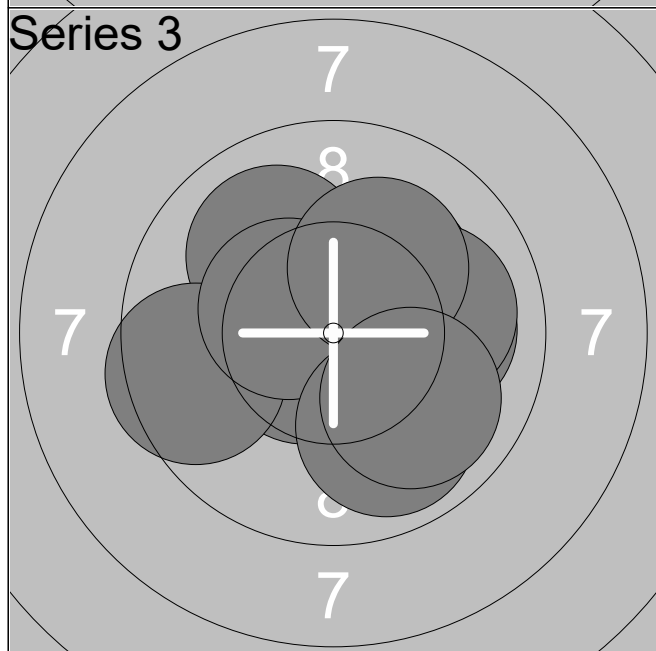
Series	98 ( 7x)
	287 ( 16x)



1:	10.5x	←
2:	10.5x	←
3:	10.5x	↗
4:	10.2x	↓
5:	10.6x	↗
6:	10.5x	↗
7:	10.2x	↗
8:	10.1	→
9:	10.5x	↗
10:	10.2x	→
<b>Series</b>		<b>100 ( 9x)</b>
		<b>100 ( 9x)</b>



1:	10.2x	→
2:	10.0	←
3:	10.3x	↗
4:	10.1	→
5:	10.6x	↑
6:	10.1	↓
7:	10.4x	↓
8:	10.3x	↓
9:	10.2x	↓
10:	10.6x	↗
<b>Series</b>		<b>100 ( 7x)</b>
		<b>200 (16x)</b>

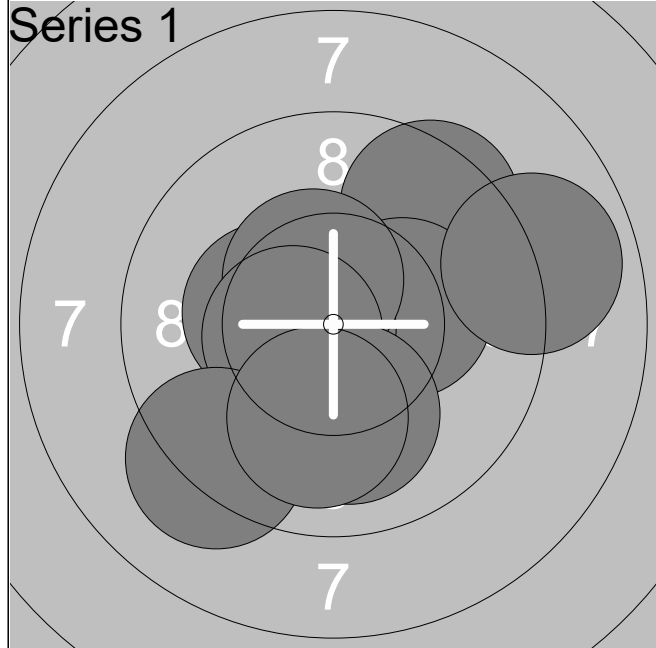


1:	10.0	→
2:	10.6x	←
3:	10.0	↗
4:	10.2x	↗
5:	10.0	→
6:	9.5	←
7:	10.5x	↗
8:	10.2x	↗
9:	9.9	↓
10:	10.0	↓
<b>Series</b>		<b>98 ( 4x)</b>
		<b>298 (20x)</b>

Relay <b>1</b>	Lane <b>29</b>	<b>Jonas Andersen</b>
-------------------	-------------------	-----------------------

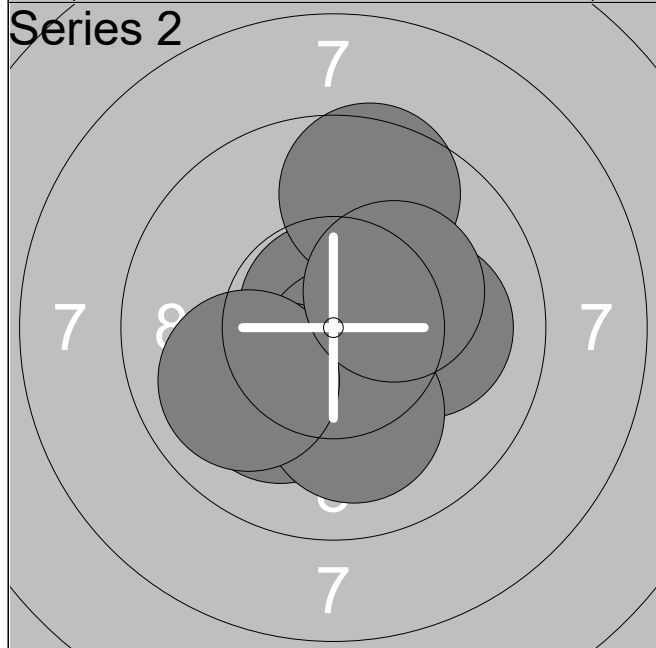
Mix Team Rifle Qual	INT 2	M	R
---------------------	-------	---	---

11.02.2026	Denmark Open Air 2026	Denmark Open Air 2026
------------	-----------------------	-----------------------



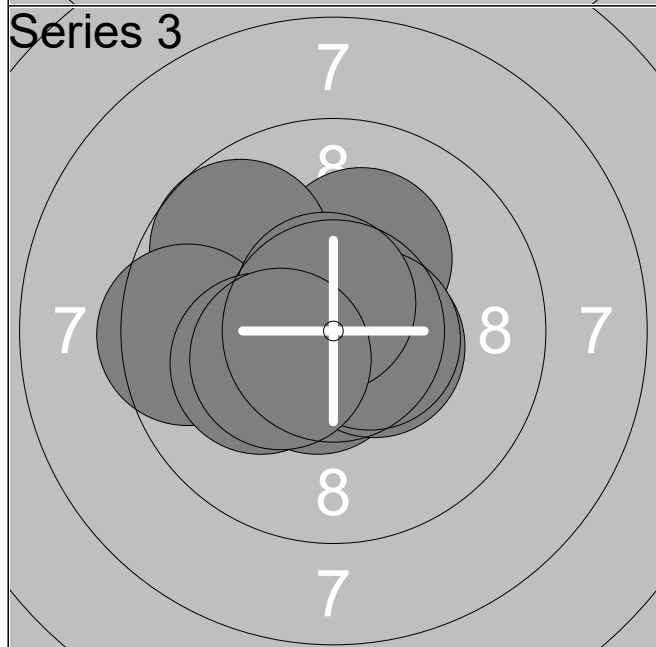
1:	9.5	↗
2:	10.3x	→
3:	10.3x	←
4:	10.7x	←
5:	10.5x	↑
6:	10.5x	←
7:	9.2	↘
8:	10.1	↓
9:	10.0	↓
10:	8.9	→

Series	96 ( 5x)
	96 ( 5x)



1:	10.6x	→
2:	10.8x	↑
3:	10.2x	↓
4:	10.6x	↓
5:	10.1	→
6:	10.1	↘
7:	9.6	↑
8:	10.1	↓
9:	9.9	←
10:	10.3x	↗

Series	98 ( 5x)
	194 (10x)



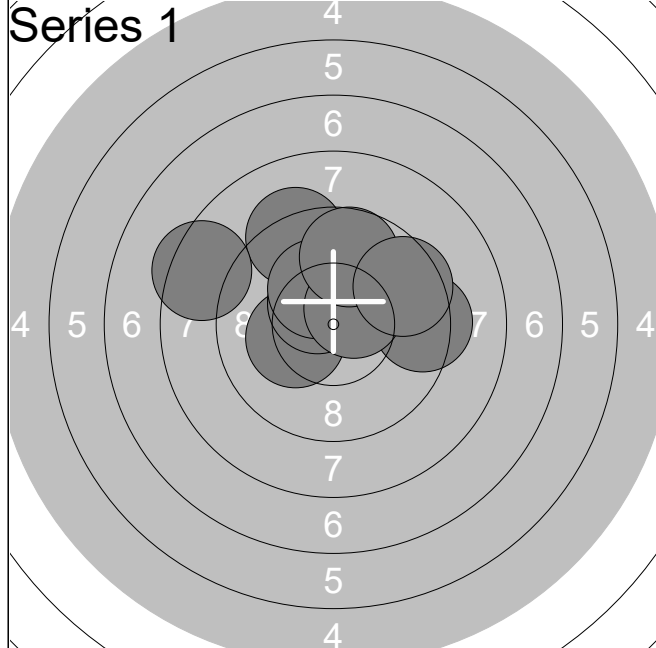
1:	10.2x	↑
2:	9.7	↖
3:	10.6x	↓
4:	9.5	←
5:	10.8x	→
6:	10.5x	→
7:	10.6x	→
8:	10.7x	↑
9:	10.1	←
10:	10.4x	←

Series	98 ( 7x)
	292 (17x)

Relay <b>1</b>	Lane <b>30</b>	<b>Ida Romvig Bukbjerg</b>		
-------------------	-------------------	----------------------------	--	--

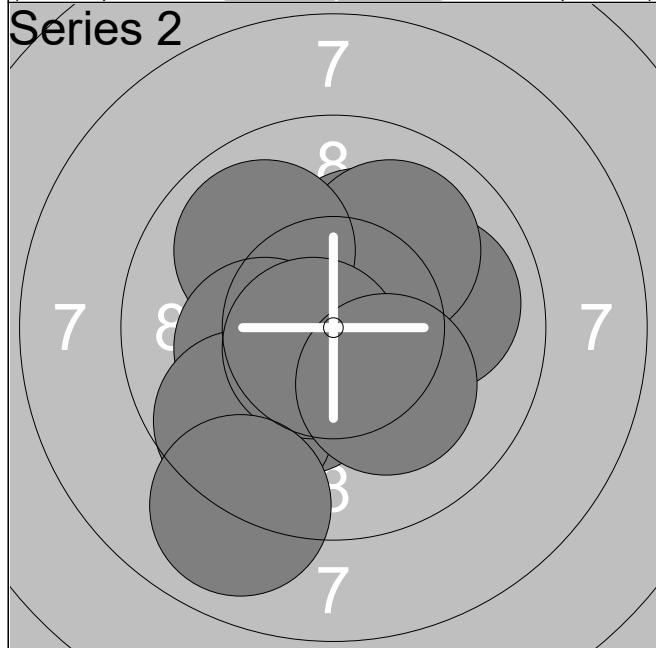
Mix Team Rifle Qual	DEN 6	WJ	R
---------------------	-------	----	---

11.02.2026	Denmark Open Air 2026	Denmark Open Air 2026
------------	-----------------------	-----------------------



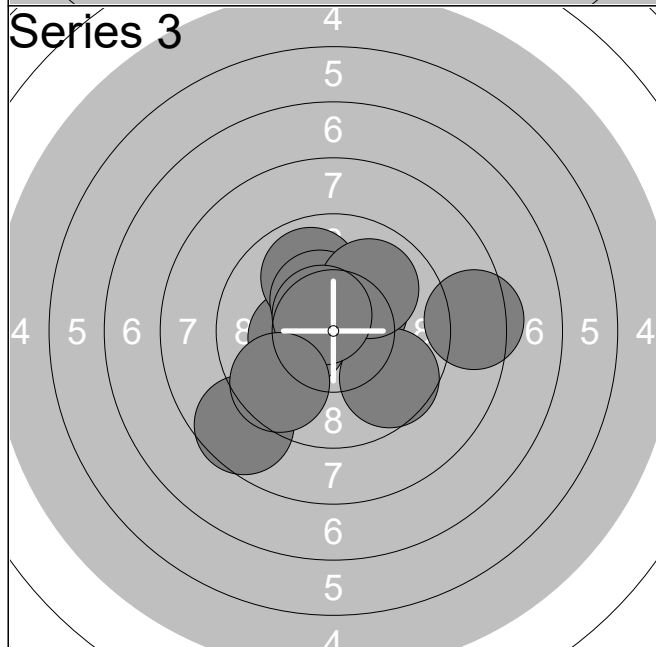
1:	9.4	→
2:	9.2	↑
3:	10.2x	←
4:	8.4	↖
5:	10.5x	↑
6:	10.5x	↑
7:	10.2x	↑
8:	10.5x	↗
9:	9.7	↑
10:	9.6	↗

Series	94 ( 5x)
	94 ( 5x)



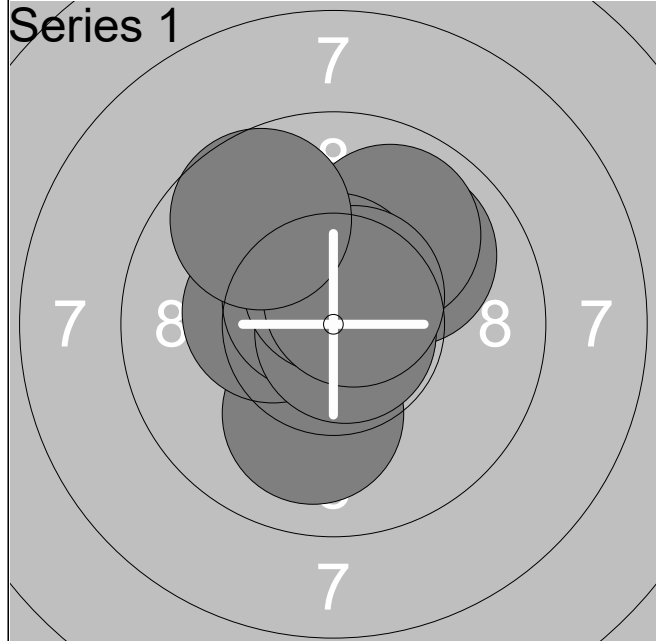
1:	10.2x	↑
2:	10.0	→
3:	10.0	↗
4:	10.3x	↘
5:	9.9	↖
6:	10.2x	←
7:	9.7	↘
8:	10.7x	↘
9:	10.2x	↘
10:	9.0	↘

Series	97 ( 5x)
	191 (10x)

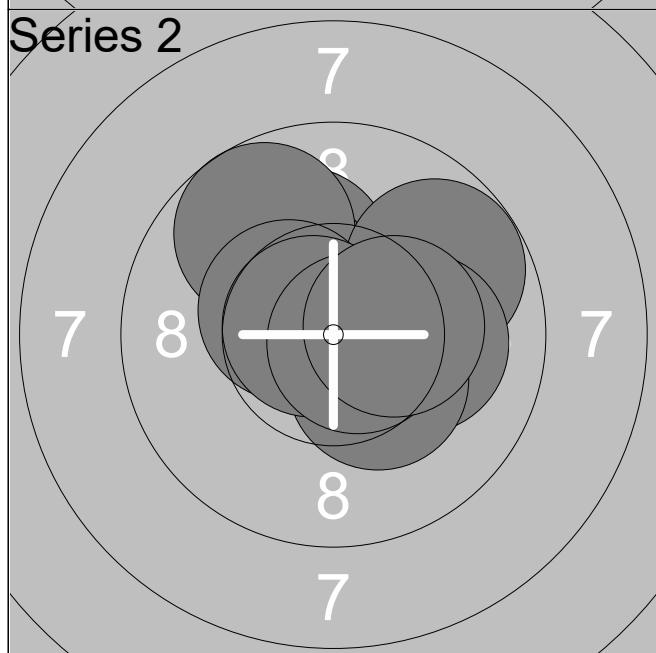


1:	10.4x	↗
2:	10.3x	←
3:	8.6	↘
4:	9.9	↑
5:	9.6	↘
6:	10.3x	↑
7:	10.0	↗
8:	10.6x	↑
9:	8.4	→
10:	9.6	↘

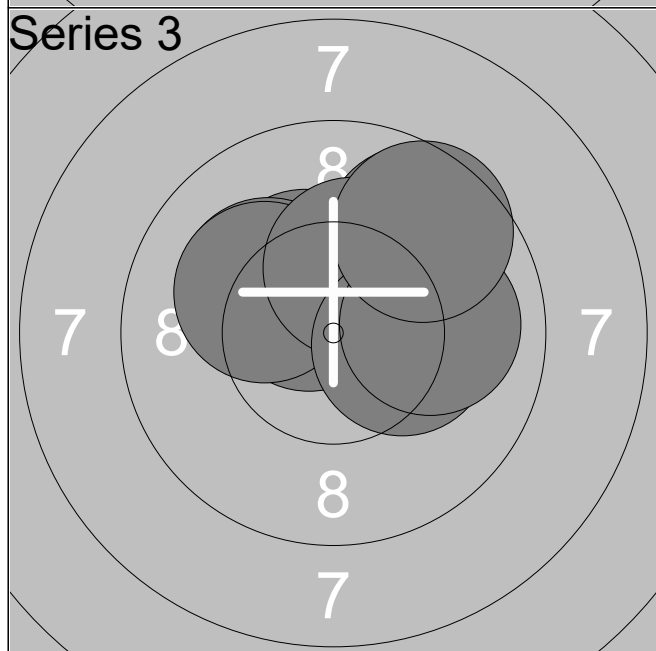
Series	93 ( 4x)
	284 (14x)



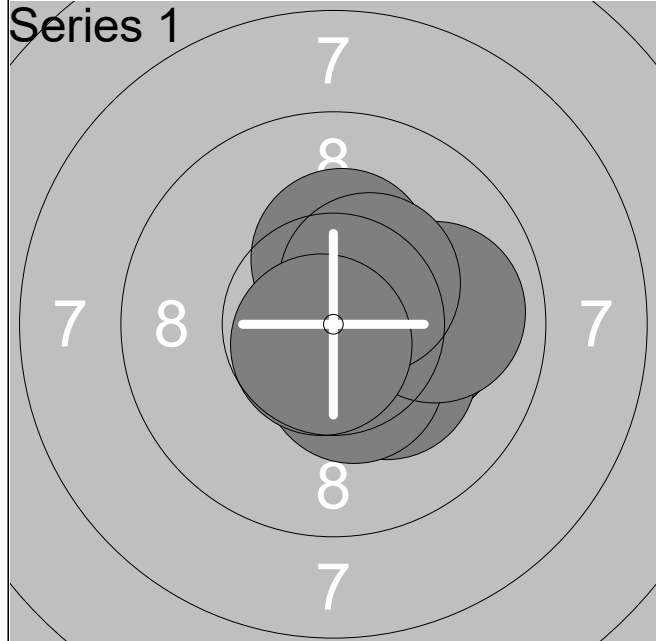
1:	10.6x	↙
2:	10.0	↓
3:	10.4x	←
4:	10.0	↗
5:	9.9	↗
6:	10.6x	↗
7:	10.8x	↘
8:	10.5x	↑
9:	10.6x	↗
10:	9.7	↗
<b>Series</b>		<b>98 ( 6x)</b>
		<b>98 ( 6x)</b>



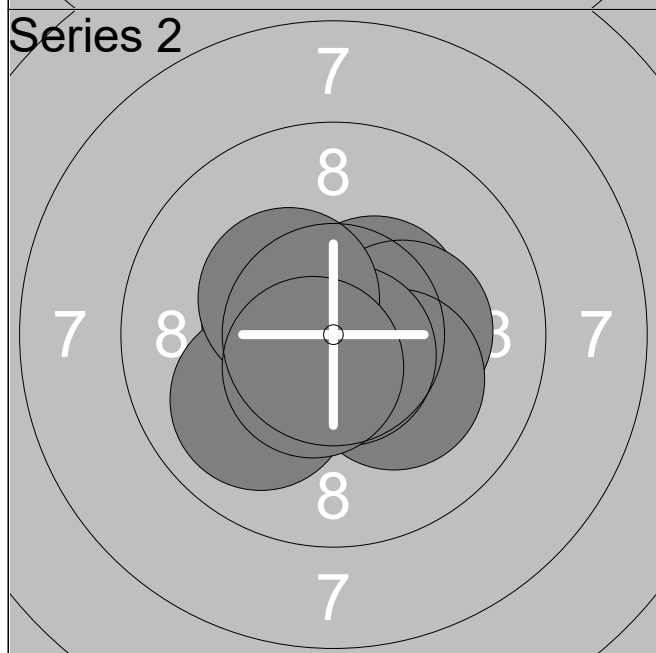
1:	10.1	↗
2:	10.4x	↗
3:	9.7	↗
4:	9.8	↗
5:	10.1	→
6:	10.4x	↗
7:	10.3x	↘
8:	10.8x	↖
9:	10.7x	↘
10:	10.3x	→
<b>Series</b>		<b>98 ( 6x)</b>
		<b>196 (12x)</b>



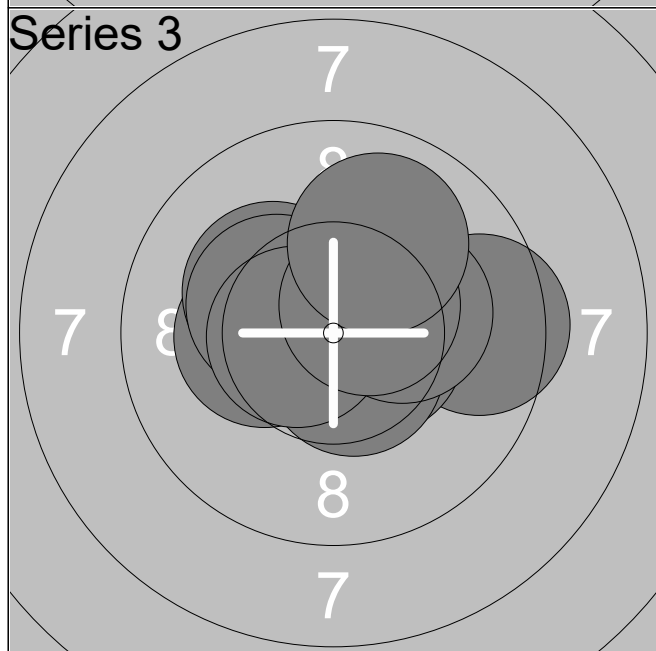
1:	10.4x	↗
2:	10.2x	↖
3:	10.3x	→
4:	9.7	↗
5:	10.5x	↗
6:	10.2x	↖
7:	10.3x	↑
8:	10.3x	→
9:	10.0	→
10:	9.6	↗
<b>Series</b>		<b>98 ( 7x)</b>
		<b>294 (19x)</b>



1:	10.2x	→
2:	10.2x	→
3:	10.3x	↘
4:	10.4x	↘
5:	10.9x	↗
6:	10.8x	↗
7:	10.3x	↑
8:	9.9	→
9:	10.4x	↗
10:	10.7x	↘
<b>Series</b>		<b>99 ( 9x)</b>
		<b>99 ( 9x)</b>



1:	10.5x	↗
2:	10.6x	←
3:	10.6x	←
4:	10.5x	←
5:	10.3x	→
6:	10.2x	↘
7:	10.7x	↘
8:	10.0	↙
9:	10.4x	↗
10:	10.6x	↘
<b>Series</b>		<b>100 ( 9x)</b>
		<b>199 (18x)</b>

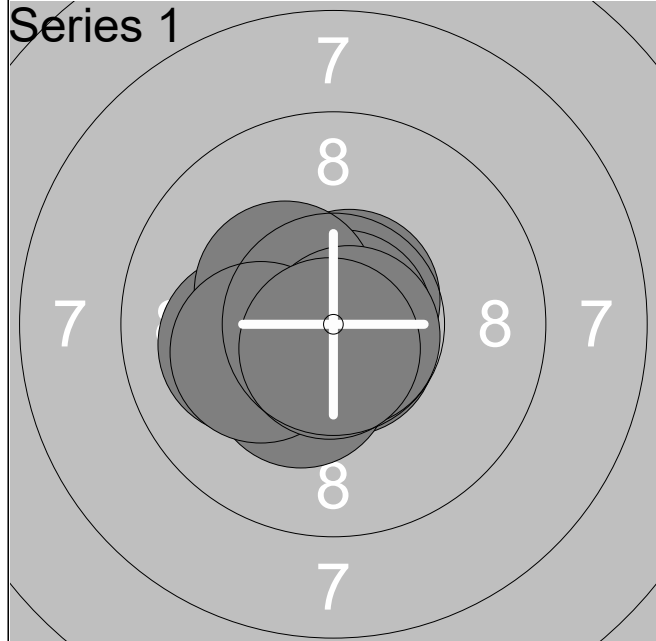


1:	9.5	→
2:	10.5x	→
3:	10.6x	↘
4:	10.3x	←
5:	10.2x	↗
6:	10.3x	↖
7:	10.6x	←
8:	10.3x	→
9:	10.5x	↗
10:	10.0	↑
<b>Series</b>		<b>99 ( 8x)</b>
		<b>298 (26x)</b>

Relay <b>1</b>	Lane <b>33</b>	<b>Marcus Madsen</b>
-------------------	-------------------	----------------------

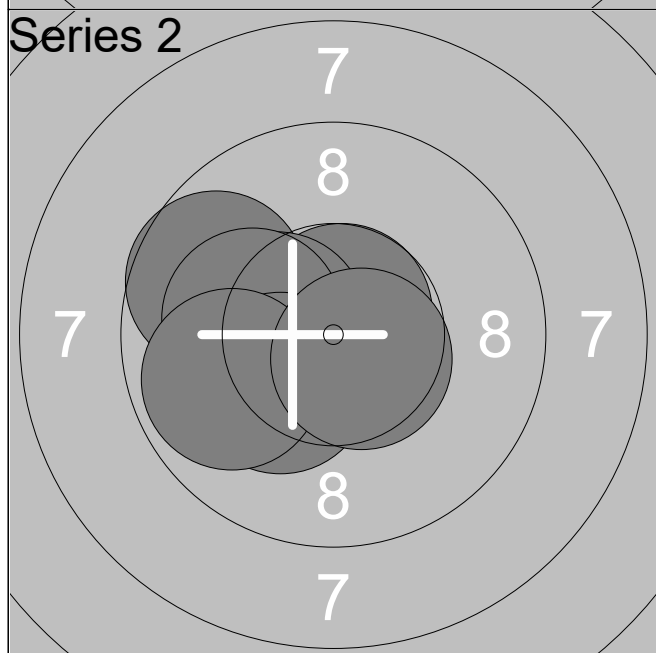
Mix Team Rifle Qual	SWE 2	M	R
---------------------	-------	---	---

11.02.2026	Denmark Open Air 2026	Denmark Open Air 2026
------------	-----------------------	-----------------------



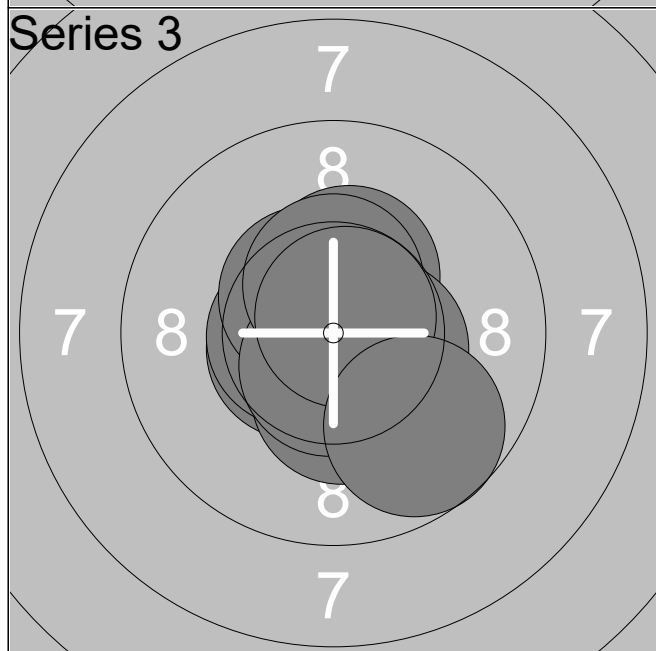
1:	10.7x	↘
2:	10.6x	←
3:	10.3x	↙
4:	10.6x	↗
5:	10.9x	↗
6:	10.1	←
7:	10.4x	↖
8:	10.2x	←
9:	10.7x	↘
10:	10.7x	↓

Series	100 ( 9x)
	100 ( 9x)



1:	10.6x	←
2:	10.8x	↘
3:	9.7	↖
4:	10.8x	↖
5:	10.7x	↗
6:	10.4x	←
7:	10.1	←
8:	10.3x	↙
9:	9.8	←
10:	10.6x	↘

Series	98 ( 7x)
	198 (16x)



1:	10.6x	←
2:	10.4x	↗
3:	10.4x	↓
4:	10.5x	↗
5:	10.6x	←
6:	10.5x	↗
7:	10.6x	↓
8:	10.5x	↗
9:	10.7x	↗
10:	9.7	↘

Series	99 ( 9x)
	297 (25x)